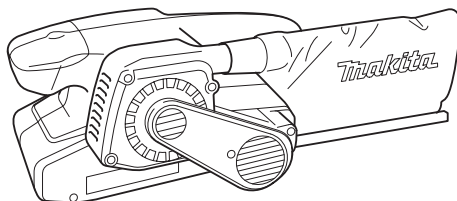




EN	Belt Sander	INSTRUCTION MANUAL	3
RU	Ленточная Шлифовальная Машина	РУКОВОДСТВО ПО ЭКСПЛУАТАЦИИ	8
КК	Таспалы ажарлағыш машина	ПАЙДАЛАНУ ЖӨНІНДЕГІ НҰСҚАУЛЫҚ	14

© KOMFORT

9910
9911



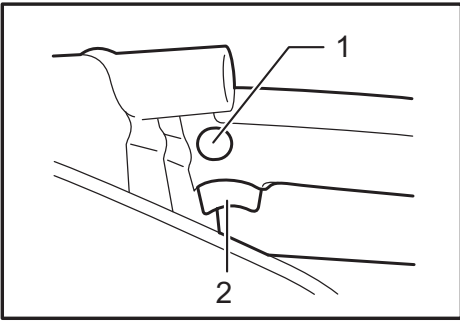


Fig.1

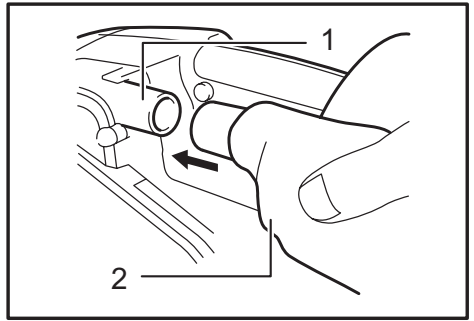


Fig.5

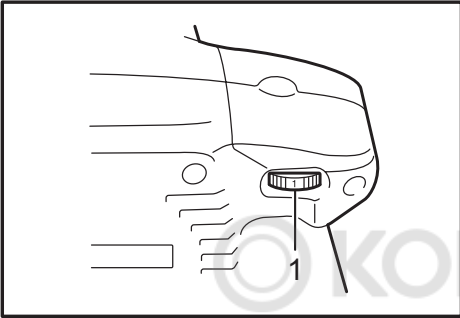


Fig.2

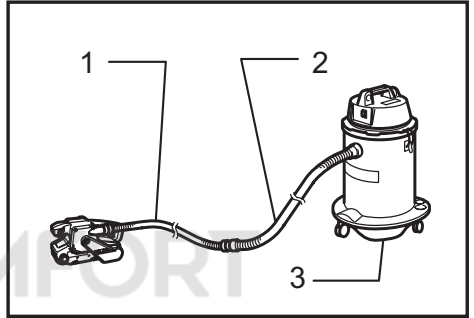


Fig.6

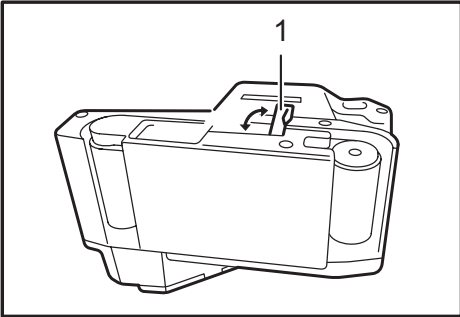


Fig.3

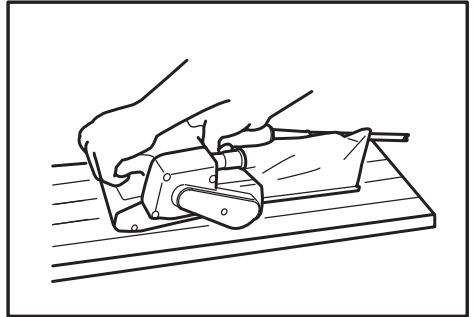


Fig.7

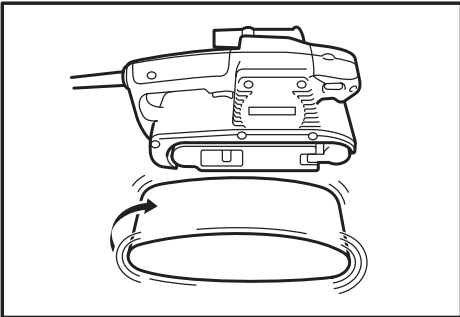


Fig.4

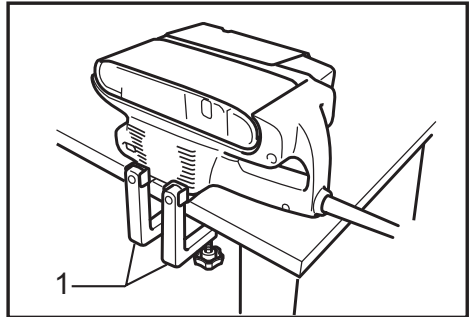


Fig.8

SPECIFICATIONS

Model	9910	9911
Belt size	76 mm x 457 mm	
Belt speed	270 m/min	75 - 270 m/min
Overall length	262 mm	
Net weight	2.7 kg	
Safety class	□/II	

- Due to our continuing program of research and development, the specifications herein are subject to change without notice.
- Specifications may differ from country to country.
- Weight according to EPTA-Procedure 01/2014

Symbols

The following show the symbols used for the equipment. Be sure that you understand their meaning before use.

	Read instruction manual.
	DOUBLE INSULATION
	Only for EU countries Do not dispose of electric equipment together with household waste material! In observance of the European Directive, on Waste Electric and Electronic Equipment and its implementation in accordance with national law, electric equipment that have reached the end of their life must be collected separately and returned to an environmentally compatible recycling facility.

Intended use

The tool is intended for the sanding of large surface of wood, plastic and metal materials as well as painted surfaces.

Power supply

The tool should be connected only to a power supply of the same voltage as indicated on the nameplate, and can only be operated on single-phase AC supply. They are double-insulated and can, therefore, also be used from sockets without earth wire.

Noise

The typical A-weighted noise level determined according to EN62841-2-4:

Sound pressure level (L_{pA}) : 83 dB (A)

Sound power level (L_{WA}) : 94 dB (A)

Uncertainty (K) : 3 dB (A)

NOTE: The declared noise emission value(s) has been measured in accordance with a standard test method and may be used for comparing one tool with another.

NOTE: The declared noise emission value(s) may also be used in a preliminary assessment of exposure.

⚠ WARNING: Wear ear protection.

⚠ WARNING: The noise emission during actual use of the power tool can differ from the declared value(s) depending on the ways in which the tool is used especially what kind of workpiece is processed.

⚠ WARNING: Be sure to identify safety measures to protect the operator that are based on an estimation of exposure in the actual conditions of use (taking account of all parts of the operating cycle such as the times when the tool is switched off and when it is running idle in addition to the trigger time).

Vibration

The vibration total value (tri-axial vector sum) determined according to EN62841-2-4:

Work mode : sanding metal plate

Vibration emission (a_h) : 2.5 m/s² or less

Uncertainty (K) : 1.5 m/s²

NOTE: The declared vibration total value(s) has been measured in accordance with a standard test method and may be used for comparing one tool with another.

NOTE: The declared vibration total value(s) may also be used in a preliminary assessment of exposure.

⚠ WARNING: The vibration emission during actual use of the power tool can differ from the declared value(s) depending on the ways in which the tool is used especially what kind of workpiece is processed.

⚠ WARNING: Be sure to identify safety measures to protect the operator that are based on an estimation of exposure in the actual conditions of use (taking account of all parts of the operating cycle such as the times when the tool is switched off and when it is running idle in addition to the trigger time).

EC Declaration of Conformity

For European countries only

The EC declaration of conformity is included as Annex A to this instruction manual.

General power tool safety warnings

⚠ WARNING: Read all safety warnings, instructions, illustrations and specifications provided with this power tool. Failure to follow all instructions listed below may result in electric shock, fire and/or serious injury.

Save all warnings and instructions for future reference.

The term "power tool" in the warnings refers to your mains-operated (corded) power tool or battery-operated (cordless) power tool.

Work area safety

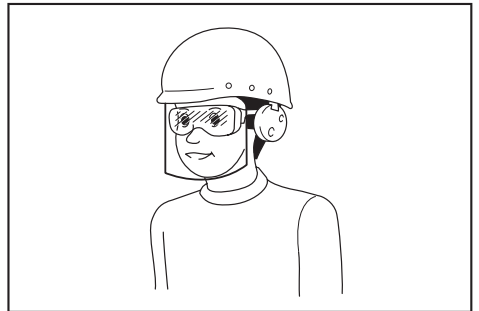
1. **Keep work area clean and well lit.** Cluttered or dark areas invite accidents.
2. **Do not operate power tools in explosive atmospheres, such as in the presence of flammable liquids, gases or dust.** Power tools create sparks which may ignite the dust or fumes.
3. **Keep children and bystanders away while operating a power tool.** Distractions can cause you to lose control.

Electrical safety

1. **Power tool plugs must match the outlet. Never modify the plug in any way. Do not use any adapter plugs with earthed (grounded) power tools.** Unmodified plugs and matching outlets will reduce risk of electric shock.
2. **Avoid body contact with earthed or grounded surfaces, such as pipes, radiators, ranges and refrigerators.** There is an increased risk of electric shock if your body is earthed or grounded.
3. **Do not expose power tools to rain or wet conditions.** Water entering a power tool will increase the risk of electric shock.
4. **Do not abuse the cord. Never use the cord for carrying, pulling or unplugging the power tool. Keep cord away from heat, oil, sharp edges or moving parts.** Damaged or entangled cords increase the risk of electric shock.
5. **When operating a power tool outdoors, use an extension cord suitable for outdoor use.** Use of a cord suitable for outdoor use reduces the risk of electric shock.
6. **If operating a power tool in a damp location is unavoidable, use a residual current device (RCD) protected supply.** Use of an RCD reduces the risk of electric shock.
7. **Use of power supply via an RCD with a rated residual current of 30 mA or less is always recommended.**
8. **Power tools can produce electromagnetic fields (EMF) that are not harmful to the user.** However, users of pacemakers and other similar medical devices should contact the maker of their device and/or doctor for advice before operating this power tool.
9. **Do not touch the power plug with wet hands.**
10. **If the cord is damaged, have it replaced by the manufacturer or his agent in order to avoid a safety hazard.**

Personal safety

1. **Stay alert, watch what you are doing and use common sense when operating a power tool. Do not use a power tool while you are tired or under the influence of drugs, alcohol or medication.** A moment of inattention while operating power tools may result in serious personal injury.
2. **Use personal protective equipment. Always wear eye protection.** Protective equipment such as a dust mask, non-skid safety shoes, hard hat or hearing protection used for appropriate conditions will reduce personal injuries.
3. **Prevent unintentional starting. Ensure the switch is in the off-position before connecting to power source and/or battery pack, picking up or carrying the tool.** Carrying power tools with your finger on the switch or energising power tools that have the switch on invites accidents.
4. **Remove any adjusting key or wrench before turning the power tool on.** A wrench or a key left attached to a rotating part of the power tool may result in personal injury.
5. **Do not overreach. Keep proper footing and balance at all times.** This enables better control of the power tool in unexpected situations.
6. **Dress properly. Do not wear loose clothing or jewellery. Keep your hair and clothing away from moving parts.** Loose clothes, jewellery or long hair can be caught in moving parts.
7. **If devices are provided for the connection of dust extraction and collection facilities, ensure these are connected and properly used.** Use of dust collection can reduce dust-related hazards.
8. **Do not let familiarity gained from frequent use of tools allow you to become complacent and ignore tool safety principles.** A careless action can cause severe injury within a fraction of a second.
9. **Always wear protective goggles to protect your eyes from injury when using power tools. The goggles must comply with ANSI Z87.1 in the USA, EN 166 in Europe, or AS/NZS 1336 in Australia/New Zealand. In Australia/New Zealand, it is legally required to wear a face shield to protect your face, too.**



It is an employer's responsibility to enforce the use of appropriate safety protective equipments by the tool operators and by other persons in the immediate working area.

Power tool use and care

1. **Do not force the power tool. Use the correct power tool for your application.** The correct power tool will do the job better and safer at the rate for which it was designed.
2. **Do not use the power tool if the switch does not turn it on and off.** Any power tool that cannot be controlled with the switch is dangerous and must be repaired.
3. **Disconnect the plug from the power source and/or remove the battery pack, if detachable, from the power tool before making any adjustments, changing accessories, or storing power tools.** Such preventive safety measures reduce the risk of starting the power tool accidentally.
4. **Store idle power tools out of the reach of children and do not allow persons unfamiliar with the power tool or these instructions to operate the power tool.** Power tools are dangerous in the hands of untrained users.
5. **Maintain power tools and accessories. Check for misalignment or binding of moving parts, breakage of parts and any other condition that may affect the power tool's operation. If damaged, have the power tool repaired before use.** Many accidents are caused by poorly maintained power tools.
6. **Keep cutting tools sharp and clean.** Properly maintained cutting tools with sharp cutting edges are less likely to bind and are easier to control.
7. **Use the power tool, accessories and tool bits etc. in accordance with these instructions, taking into account the working conditions and the work to be performed.** Use of the power tool for operations different from those intended could result in a hazardous situation.
8. **Keep handles and grasping surfaces dry, clean and free from oil and grease.** Slippery handles and grasping surfaces do not allow for safe handling and control of the tool in unexpected situations.
9. **When using the tool, do not wear cloth work gloves which may be entangled.** The entanglement of cloth work gloves in the moving parts may result in personal injury.

Service

1. **Have your power tool serviced by a qualified repair person using only identical replacement parts.** This will ensure that the safety of the power tool is maintained.
2. **Follow instruction for lubricating and changing accessories.**

BELT SANDER SAFETY WARNINGS

1. **Hold the power tool by insulated gripping surfaces, because the sanding surface may contact its own cord.** Cutting a "live" wire may make exposed metal parts of the power tool "live" and could give the operator an electric shock.
2. **Ventilate your work area adequately when you perform sanding operations.**
3. **Some material contains chemicals which may be toxic. Take caution to prevent dust inhalation and skin contact. Follow material supplier safety data.**
4. **Always use the correct dust mask/respirator for the material and application you are working with.**
5. **Always use safety glasses or goggles. Ordinary eye or sun glasses are NOT safety glasses.**
6. **Hold the tool firmly with both hands.**

7. **Make sure the belt is not contacting the workpiece before the switch is turned on.**
8. **Keep hands away from rotating parts.**
9. **Do not leave the tool running. Operate the tool only when hand-held.**
10. **This tool has not been waterproofed, so do not use water on the workpiece surface.**

SAVE THESE INSTRUCTIONS.

⚠WARNING: DO NOT let comfort or familiarity with product (gained from repeated use) replace strict adherence to safety rules for the subject product. MISUSE or failure to follow the safety rules stated in this instruction manual may cause serious personal injury.

FUNCTIONAL DESCRIPTION

⚠CAUTION:

- Always be sure that the tool is switched off and unplugged before adjusting or checking function on the tool.

Switch action

► Fig.1: 1. Lock button 2. Switch trigger

⚠CAUTION:

- Before plugging in the tool, always check to see that the switch trigger actuates properly and returns to the "OFF" position when released.

To start the tool, simply pull the switch trigger. Release the switch trigger to stop.

For continuous operation, pull the switch trigger and then push in the lock button.

To stop the tool from the locked position, pull the switch trigger fully, and then release it.

Speed adjusting dial

For 9911 only

► Fig.2: 1. Speed adjusting dial

The belt speed can be infinitely adjusted between 75 m and 270 m per minute by turning the speed adjusting dial to a given number setting from 1 to 6. Higher speed is obtained when the dial is turned in the direction of number 6; lower speed is obtained when it is turned in the direction of number 1.

Select the proper speed for the workpiece to be sanded.

⚠CAUTION:

- If the tool is operated continuously at low speeds for a long time, the motor will get overloaded, resulting in tool malfunction.
- The speed adjusting dial can be turned only as far as 6 and back to 1. Do not force it past 6 or 1, or the speed adjusting function may no longer work.

ASSEMBLY

⚠ CAUTION:

- Always be sure that the tool is switched off and unplugged before carrying out any work on the tool.

Installing or removing abrasive belt

► Fig.3: 1. Lever

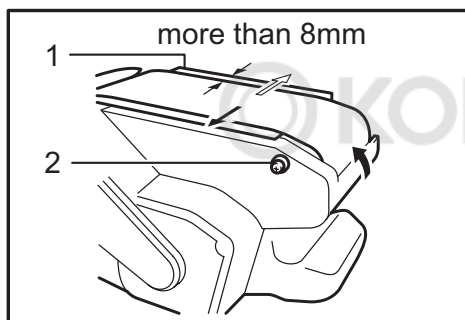
Pull the lever all the way out and install the belt over the rollers, and then return the lever to the original position.

⚠ CAUTION:

- When installing the belt, make sure that the direction of the arrow on the back of the belt corresponds to the one on the tool itself.

► Fig.4

Adjusting belt tracking



1. Steel plate 2. Adjusting screw

Switch on the tool and make sure that the belt is aligned properly. If the edge of the belt extends beyond the edge of the steel plate or the edge of the belt retracts more than 8 mm away from the edge of the steel plate, use the adjusting screw to adjust the belt tracking.

Dust bag

► Fig.5: 1. Dust spout 2. Dust bag

Attach the dust bag onto the dust spout. The dust spout is tapered. When attaching the dust bag, push it onto the dust spout firmly as far as it will go to prevent it from coming off during operation.

When the dust bag is about half full, remove the dust bag from the tool and pull the fastener out. Empty the dust bag of its contents, tapping it lightly so as to remove particles adhering to the insides which might hamper further collection.

NOTE:

- If you connect a Makita vacuum cleaner to this tool, more efficient and cleaner operations can be performed.

Connecting to Makita vacuum cleaner

- Fig.6: 1. Optional hose 28 mm in inner diameter
2. Hose of vacuum cleaner 3. Vacuum cleaner

Cleaner sanding operations can be performed by connecting the belt sander to Makita vacuum cleaner. When connecting to Makita vacuum cleaner, an optional hose 28 mm in inner diameter is necessary.

OPERATION

Sanding operation

► Fig.7

⚠ CAUTION:

- The tool should not be in contact with the workpiece surface when you turn the tool on or off. Otherwise a poor sanding finish or damage of the belt may result.

Hold the tool firmly with both hands. Turn the tool on and wait until it attains full speed. Then gently place the tool on the workpiece surface. Keep the belt flush with the workpiece at all times and move the tool back and forth.

Never force the tool. The weight of the tool applies adequate pressure. Excessive pressure may cause stalling, overheating of the motor, burning of the workpiece and possible kickback.

Clamps (optional accessory)

This machine can be operated in the inverted position. To do so, secure the machine to a stable workbench with two clamps.

► Fig.8: 1. Clamps

MAINTENANCE

⚠ CAUTION:

- Always be sure that the tool is switched off and unplugged before attempting to perform inspection or maintenance.
- Never use gasoline, benzine, thinner, alcohol or the like. Discoloration, deformation or cracks may result.

To maintain product SAFETY and RELIABILITY, repairs, carbon brush inspection and replacement, any other maintenance or adjustment should be performed by Makita Authorized or Factory Service Centers, always using Makita replacement parts.

OPTIONAL ACCESSORIES

⚠ CAUTION:

- These accessories or attachments are recommended for use with your Makita tool specified in this manual. The use of any other accessories or attachments might present a risk of injury to persons. Only use accessory or attachment for its stated purpose.

If you need any assistance for more details regarding these accessories, ask your local Makita Service Center.

- Abrasive belts
- Dust bag
- Clamp
- Hose 28 mm in inner diameter

NOTE:

- Some items in the list may be included in the tool package as standard accessories. They may differ from country to country.



ТЕХНИЧЕСКИЕ ХАРАКТЕРИСТИКИ

Модель	9910	9911
Размер ленты	76 мм x 457 мм	
Скорость ленты	270 м/мин	75 - 270 м/мин
Общая длина	262 мм	
Вес нетто	2,7 кг	
Класс безопасности	II	

- Благодаря нашей постоянно действующей программе исследований и разработок указанные здесь технические характеристики могут быть изменены без предварительного уведомления.
- Технические характеристики могут различаться в зависимости от страны.
- Масса в соответствии с процедурой EPTA 01/2014

Символы

Ниже приведены символы, используемые для электроинструмента. Перед использованием убедитесь, что вы понимаете их значение.



Прочитайте руководство пользователя.



ДВОЙНАЯ ИЗОЛЯЦИЯ



Только для стран ЕС
Не утилизируйте данный электроинструмент вместе с бытовыми отходами!
В рамках соблюдения Европейской Директивы по утилизации электрического и электронного оборудования и ее применения в соответствии с национальным законодательством, электрооборудование в конце срока своей службы должно утилизироваться отдельно и передаваться для его утилизации на предприятие, соответствующее применяемым правилам охраны окружающей среды.

Назначение

Инструмент предназначен для шлифовки больших поверхностей из древесины, пластмассы и металлических материалов, а также окрашенных поверхностей.

Питание

Подключайте данный инструмент только к тому источнику питания, напряжение которого соответствует напряжению, указанному на паспортной табличке. Инструмент предназначен для работы от источника однофазного переменного тока. Он имеет двойную изоляцию и поэтому может подключаться к розеткам без заземления.

Шум

Типичный уровень взвешенного звукового давления (A), измеренный в соответствии с EN62841-2-4:

Уровень звукового давления (L_{pA}): 83 дБ (A)

Уровень звуковой мощности (L_{wA}): 94 дБ (A)

Погрешность (K): 3 дБ (A)

ПРИМЕЧАНИЕ: Заявленное значение распространения шума измерено в соответствии со стандартной методикой испытаний и может быть использовано для сравнения инструментов.

ПРИМЕЧАНИЕ: Заявленное значение распространения шума можно также использовать для предварительных оценок воздействия.

⚠ОСТОРОЖНО: Используйте средства защиты слуха.

⚠ОСТОРОЖНО: Распространение шума во время фактического использования электроинструмента может отличаться от заявленного значения в зависимости от способа применения инструмента и в особенности от типа обрабатываемой детали.

⚠ОСТОРОЖНО: Обязательно определите меры безопасности для защиты оператора, основанные на оценке воздействия в реальных условиях использования (с учетом всех этапов рабочего цикла, таких как выключение инструмента, работа без нагрузки и включение).

Вибрация

Суммарное значение вибрации (сумма векторов по трем осям) определяется по следующим параметрам EN62841-2-4:

Рабочий режим: шлифовка металлических пластин

Распространение вибрации (a_h): 2,5 м/с² или менее

Погрешность (K): 1,5 м/с²

ПРИМЕЧАНИЕ: Заявленное общее значение распространения вибрации измерено в соответствии со стандартной методикой испытаний и может быть использовано для сравнения инструментов.

ПРИМЕЧАНИЕ: Заявленное общее значение распространения вибрации можно также использовать для предварительных оценок воздействия.

⚠ОСТОРОЖНО: Распространение вибрации во время фактического использования электроинструмента может отличаться от заявленного значения в зависимости от способа применения инструмента и в особенности от типа обрабатываемой детали.

⚠ОСТОРОЖНО: Обязательно определите меры безопасности для защиты оператора, основанные на оценке воздействия в реальных условиях использования (с учетом всех этапов рабочего цикла, таких как выключение инструмента, работа без нагрузки и включение).

Декларация о соответствии ЕС

Только для европейских стран

Декларация о соответствии ЕС включена в руководство по эксплуатации (Приложение А).

Общие рекомендации по технике безопасности для электроинструментов

⚠ОСТОРОЖНО: Ознакомьтесь со всеми представленными инструкциями по технике безопасности, указаниями, иллюстрациями и техническими характеристиками, прилагаемыми к данному электроинструменту. Несоблюдение каких-либо инструкций, указанных ниже, может привести к поражению электрическим током, пожару и/или серьезной травме.

Сохраните брошюру с инструкциями и рекомендациями для дальнейшего использования.

Термин "электроинструмент" в предупреждениях относится ко всему инструменту, работающему от сети (с проводом) или на аккумуляторах (без провода).

Безопасность в месте выполнения работ

1. Рабочее место должно быть чистым и хорошо освещенным. Захламление и плохое освещение могут стать причиной несчастных случаев.
2. Не пользуйтесь электроинструментом во взрывоопасной атмосфере, например в присутствии легко воспламеняющихся жидкостей, газов или пыли. При работе электроинструмента возникают искры, которые могут привести к воспламенению пыли или газов.
3. При работе с электроинструментом не допускайте детей или посторонних к месту выполнения работ. Не отвлекайтесь во время работы, так как это приведет к потере контроля над электроинструментом.

Электробезопасность

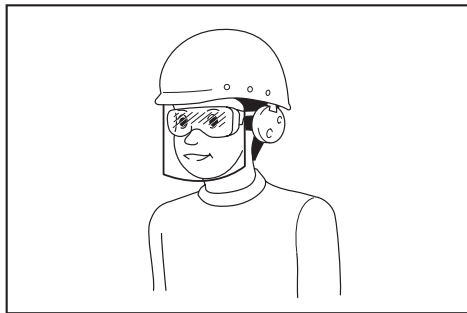
1. Вилка электроинструмента должна соответствовать сетевой розетке. Запрещается вносить какие-либо изменения в конструкцию вилки. Для электроинструмента с заземлением запрещается использовать переходники. Розетки и вилки, не подвергавшиеся изменениям, снижают риск поражения электрическим током.

2. Избегайте контакта участков тела с заземленными поверхностями, такими как трубы, радиаторы, батареи отопления и холодильники. При контакте тела с заземленными предметами увеличивается риск поражения электрическим током.
3. Не подвергайте электроинструмент воздействию дождя или влаги. Попадание воды в электроинструмент повышает риск поражения электрическим током.
4. Аккуратно обращайтесь со шнуром питания. Запрещается использовать шнур питания для переноски, перемещения или извлечения вилки из розетки. Располагайте шнур на расстоянии от источников тепла, масла, острых краев и движущихся деталей. Поврежденные или запутанные сетевые шнуры увеличивают риск поражения электрическим током.
5. При использовании электроинструмента вне помещения используйте удлинитель, подходящий для этих целей. Использование соответствующего шнура снижает риск поражения электрическим током.
6. Если электроинструмент приходится эксплуатировать в сыром месте, используйте линию электропитания, которая защищена устройством, срабатывающим от остаточного тока (RCD). Использование RCD снижает риск поражения электротоком.
7. Рекомендуется использовать питание через RCD с номинальным остаточным током 30 мА или менее.
8. Электроинструмент может создавать электромагнитные поля (EMF), которые не представляют опасности для пользователя. Однако пользователям с кардиостимуляторами и другими аналогичными медицинскими устройствами следует обратиться к производителю устройства и/или врачу перед началом эксплуатации инструмента.
9. Не прикасайтесь к разъему электропитания мокрыми руками.
10. Во избежание угрозы безопасности, в случае повреждения кабеля его необходимо заменить в мастерской изготовителя.

Личная безопасность

1. При использовании электроинструмента будьте бдительны, следите за тем, что вы делаете, и руководствуйтесь здравым смыслом. Не пользуйтесь электроинструментом, если вы устали, находитесь под воздействием наркотиков, алкоголя или лекарственных препаратов. Даже мгновенная невнимательность при использовании электроинструмента может привести к серьезной травме.
2. Используйте индивидуальные средства защиты. Всегда надевайте защитные очки. Такие средства индивидуальной защиты, как маска от пыли, защитная нескользящая обувь, каска или наушники, используемые в соответствующих условиях, позволяют снизить риск получения травмы.

3. Не допускайте случайного запуска. Прежде чем подсоединять инструмент к источнику питания и/или аккумуляторной батарее, поднимать или переносить инструмент, убедитесь, что переключатель находится в выключенном положении. Переноска электроинструмента с пальцем на выключателе или подача питания на инструмент с включенным выключателем может привести к несчастному случаю.
4. Перед включением электроинструмента снимите с него все регулировочные инструменты и гаечные ключи. Гаечный или регулировочный ключ, оставшийся закрепленным на вращающейся детали, может привести к травме.
5. При эксплуатации устройства не тянитесь. Всегда сохраняйте устойчивое положение и равновесие. Это позволит лучше управлять электроинструментом в непредвиденных ситуациях.
6. Одевайтесь соответствующим образом. Не надевайте свободную одежду или украшения. Ваши волосы и одежда должны всегда находиться на расстоянии от движущихся деталей. Свободная одежда, украшения или длинные волосы могут попасть в движущиеся детали устройства.
7. Если электроинструмент оборудован системой удаления и сбора пыли, убедитесь, что она подключена и используется соответствующим образом. Использование пылесборника снижает вероятность возникновения рисков, связанных с пылью.
8. Не переоценивайте свои возможности и не пренебрегайте правилами техники безопасности, даже если вы часто работаете с инструментом. Небрежное обращение с инструментом может стать причиной серьезной травмы за доли секунды.
9. Во время работы с электроинструментом всегда надевайте защитные очки. Очки должны соответствовать ANSI Z87.1 для США, EN 166 для Европы, или AS/NZS 1336 для Австралии и Новой Зеландии. В Австралии и Новой Зеландии оператор также обязан носить защитную маску.



Ответственность за использование средств защиты операторами и другим персоналом вблизи рабочей зоны возлагается на работодателя.

Эксплуатация и обслуживание электроинструмента

1. Не прилагайте излишних усилий к электроинструменту. Используйте инструмент, соответствующий выполняемой вами работе. Правильно подобранный электроинструмент позволит выполнить работу лучше и безопаснее с производительностью, на которую он рассчитан.
2. Не пользуйтесь электроинструментом с неисправным выключателем. Любой электроинструмент с неисправным выключателем опасен и должен быть отремонтирован.
3. Перед выполнением регулировок, сменой принадлежностей или хранением электроинструмента всегда отключайте его от источника питания и/или от аккумулятора или снимайте аккумулятор, если он является съемным. Такие превентивные меры предосторожности снижают риск случайного включения электроинструмента.
4. Храните электроинструменты в местах, недоступных для детей, и не позволяйте лицам, не знакомым с работой этого инструмента или не прочитавшим данные инструкции, пользоваться им. Электроинструмент опасен в руках неопытных пользователей.
5. Поддерживайте электроинструмент и дополнительные принадлежности в надлежащем состоянии. Убедитесь в соосности, отсутствии деформаций движущихся узлов, поломок каких-либо деталей или других дефектов, которые могут повлиять на работу электроинструмента. Если инструмент поврежден, отремонтируйте его перед использованием. Большое число несчастных случаев происходит из-за плохого ухода за электроинструментом.
6. Режущий инструмент всегда должен быть острым и чистым. Соответствующее обращение с режущим инструментом, имеющим острые режущие кромки, делает его менее подверженным деформациям, что позволяет лучше управлять им.
7. Используйте электроинструмент, принадлежности, приспособления и насадки в соответствии с данными инструкциями и в целях, для которых он предназначен, учитывая при этом условия и вид выполняемой работы. Использование электроинструмента не по назначению может привести к возникновению опасной ситуации.
8. Рукоятки инструмента и специальные изолированные поверхности всегда должны быть сухими и чистыми и не содержать следов масла или смазки. Скользкие рукоятки и специальные поверхности препятствуют соблюдению рекомендаций по технике безопасности в экстренных ситуациях.
9. При использовании инструмента не надевайте рабочие перчатки, ткань которых инструмент может затянуть. Затягивание ткани рабочих перчаток в движущиеся части инструмента может привести к травме.

Сервисное обслуживание

1. Сервисное обслуживание электроинструмента должно проводиться только квалифицированным специалистом по ремонту и только с использованием идентичных запасных частей. Это позволит обеспечить безопасность электроинструмента.
2. Следуйте инструкциям по смазке и замене принадлежностей.

МЕРЫ БЕЗОПАСНОСТИ ПРИ ИСПОЛЬЗОВАНИИ ЛЕНТОЧНОЙ ШЛИФОВАЛЬНОЙ МАШИНЫ

1. При выполнении работ существует риск контакта шлифовальной поверхности со шнуром питания, поэтому держите электроинструмент только за специально предназначенные изолированные поверхности. Контакт с проводом "под напряжением" приведет к тому, что металлические детали инструмента также будут "под напряжением", что станет причиной поражения оператора электрическим током.
2. При выполнении шлифовки обеспечьте хорошую вентиляцию места проведения работ.
3. Некоторые материалы могут содержать токсичные химические вещества. Примите соответствующие меры предосторожности, чтобы избежать вдыхания или контакта с кожей таких веществ. Соблюдайте требования, указанные в паспорте безопасности материала.
4. Обязательно используйте соответствующую пылезащитную маску/респиратор для защиты дыхательных путей от пыли разрезаемых материалов.
5. Обязательно надевайте защитные очки или защитную маску для лица. Обычные или солнцезащитные очки НЕ являются защитными очками.
6. Крепко держите инструмент обеими руками.
7. Перед включением инструмента убедитесь в том, что лента не касается обрабатываемой детали.
8. Руки должны находиться на расстоянии от вращающихся деталей.
9. Не оставляйте работающий инструмент без присмотра. Включайте инструмент только тогда, когда он находится в руках.
10. Данный инструмент не является водонепроницаемым, поэтому не следует использовать воду на поверхности обрабатываемой детали.

СОХРАНИТЕ ДАННЫЕ ИНСТРУКЦИИ.

▲ОСТОРОЖНО: НЕ ДОПУСКАЙТЕ, чтобы удобство или опыт эксплуатации данного устройства (полученный от многократного использования) доминировали над строгим соблюдением правил техники безопасности при обращении с этим устройством. НЕПРАВИЛЬНОЕ ИСПОЛЬЗОВАНИЕ инструмента или несоблюдение правил техники безопасности, указанных в данном руководстве, может привести к тяжелой травме.

ОПИСАНИЕ ФУНКЦИОНИРОВАНИЯ

▲ВНИМАНИЕ:

- Перед проведением регулировки или проверки работы инструмента всегда проверяйте, что инструмент выключен, а шнур питания вынут из розетки.

Действие выключателя

- Рис.1: 1. Кнопка блокировки 2. Курковый выключатель

▲ВНИМАНИЕ:

- Перед включением инструмента в розетку, всегда проверяйте, что триггерный переключатель работает надлежащим образом и возвращается в положение "ВЫКЛ", если его отпустить.

Для запуска инструмента, просто нажмите на триггерный переключатель. Отпустите триггерный переключатель для останова.

При продолжительной эксплуатации, нажмите на триггерный переключатель, затем нажмите кнопку блокировки.

Для останова инструмента из заблокированного положения, выжмите триггерный переключатель до конца, затем отпустите его.

Диск регулировки скорости

Только для 9911

- Рис.2: 1. Поворотный регулятор скорости

Скорость ленты может бесступенчато регулироваться в диапазоне от 75 до 270 м в минуту путем поворота диска регулировки скорости на заданное значение от 1 до 6. Более высокая скорость достигается, когда диск повернут по направлению к цифре 6; более низкая скорость достигается путем перемещения диска к цифре 1.

Выберите соответствующую скорость для обрабатываемой детали, которая будет подвергнута шлифовке.

▲ВНИМАНИЕ:

- Если инструментом пользоваться непрерывно на низкой скорости в течение продолжительного времени, двигатель будет перегружен, и это приведет к поломке инструмента.
- Диск регулировки скорости можно поворачивать только до цифры 6 и обратно до 1. Не пытайтесь повернуть его дальше 6 или 1, так как функция регулировки скорости может выйти из строя.

МОНТАЖ

⚠ ВНИМАНИЕ:

- Перед проведением каких-либо работ с инструментом всегда проверяйте, что инструмент выключен, а шнур питания вынут из розетки.

Установка или снятие абразивной ленты

► Рис.3: 1. Рычаг

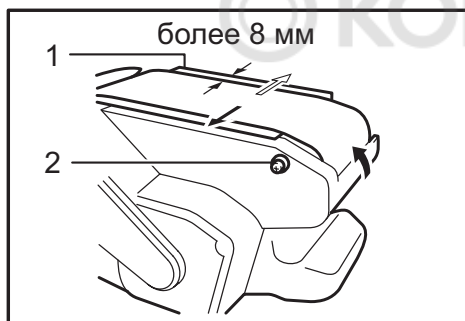
Полностью вытяните рукоятку и установите ленту поверх роликов, затем возвратите рукоятку в первоначальное положение.

⚠ ВНИМАНИЕ:

- При установке ленты следите за тем, чтобы направление стрелки на тыльной стороне ленты соответствовало направлению, указанному на самом инструменте.

► Рис.4

Регулировка движения ленты



1. Стальная пластина 2. Регулировочный винт

Включите инструмент и убедитесь, что лента надлежащим образом выровнена. Если край ленты выходит за край стальной пластины или если край ленты вытягивается более, чем на 8 мм от края стальной пластины, воспользуйтесь регулировочным винтом для регулировки движения ленты.

Пылесборный мешок

► Рис.5: 1. Рукав для сбора пыли 2. Мешок для пыли

Прикрепите мешок для пыли к рукаву для сбора пыли. Рукав для сбора пыли имеет коническую форму. При креплении мешка для пыли, крепко наденьте его на рукав для сбора пыли как можно дальше, чтобы он не соскользнул при работе. Когда пылесборный мешок заполнится примерно наполовину, снимите пылесборный мешок с инструмента и вытяните зажим. Удалите содержимое пылесборного мешка, слегка ударив по нему, чтобы удалить частицы, прилипшие к внутренней части, которые могут ухудшить дальнейший сбор пыли.

ПРИМЕЧАНИЕ:

- Если вы подсоедините пылесос Makita к данному инструменту, это позволит добиться более эффективной и чистой работы.

Подсоединение к пылесосу Makita

► Рис.6: 1. Дополнительный шланг внутренним диаметром в 28 мм 2. Шланг пылесоса 3. Пылесос

При подсоединении ленточно-шлифовальной машины к пылесосу Makita можно добиться более чистой работы.

При подсоединении к пылесосу Makita необходим дополнительный шланг с внутренним диаметром в 28 мм.

ЭКСПЛУАТАЦИЯ

Шлифование

► Рис.7

⚠ ВНИМАНИЕ:

- Инструмент не должен касаться поверхности рабочей детали, когда Вы включаете или выключаете его. Несоблюдение данной рекомендации может привести к плохой шлифовке поверхности или повреждению ленты.

Держите инструмент крепко обеими руками. Включите инструмент и подождите, пока он наберет полную скорость. После этого мягко коснитесь инструментом поверхности обрабатываемой детали. Все время располагайте ремень заподлицо с обрабатываемой деталью и перемещайте инструмент вперед и назад. Никогда не прилагайте усилия к инструменту. Вес инструмента создает адекватное давление. Чрезмерное давление может привести к остановке, перегреву двигателя, прогоранию рабочей детали и возможной отдаче.

Зажимы (дополнительная принадлежность)

Данной машиной можно пользоваться в перевернутом положении. Для этого закрепите машину к устойчивому верстаку с помощью двух зажимов.

► Рис.8: 1. Зажимы

ТЕХОБСЛУЖИВАНИЕ

⚠ ВНИМАНИЕ:

- Перед проверкой или проведением техобслуживания убедитесь, что инструмент выключен, а штекер отсоединен от розетки.
- Запрещается использовать бензин, лигроин, растворитель, спирт и т.п. Это может привести к изменению цвета, деформации и появлению трещин.

Для обеспечения БЕЗОПАСНОСТИ и НАДЕЖНОСТИ изделия ремонт, проверка и замена угольных щеток и любые другие работы по техобслуживанию или регулировке должны осуществляться в уполномоченных сервис-центрах Makita с использованием запасных частей только производства компании Makita.

ДОПОЛНИТЕЛЬНЫЕ ПРИНАДЛЕЖНОСТИ

⚠ ВНИМАНИЕ:

- Эти принадлежности или насадки рекомендуется использовать вместе с вашим инструментом Makita, описанным в данном руководстве. Использование каких-либо других принадлежностей или насадок может представлять опасность получения травм. Используйте принадлежность или насадку только по указанному назначению.

Если вам необходимо содействие в получении дополнительной информации по этим принадлежностям, свяжитесь со своим местным сервис-центром Makita.

- Абразивные ленты
- Пылесборный мешок
- Зажим
- Шланг внутренним диаметром в 28 мм

ПРИМЕЧАНИЕ:

- Некоторые элементы списка могут входить в комплект инструмента в качестве стандартных приспособлений. Они могут отличаться в зависимости от страны.

ТЕХНИКАЛЫҚ СИПАТТАМАЛАРЫ

Үлгісі	9910	9911
Таспа өлшемі	76 мм x 457 мм	
Таспа жылдамдығы	270 м/мин	75 - 270 м/мин
Жалпы ұзындығы	262 мм	
Таза салмағы	2,7 кг	
Қауіпсіздік класы	II	

- Зерттеу мен әзірлеудің үздіксіз бағдарламасына байланысты осы құжаттағы техникалық сипаттамалар ескертусіз өзгертілуі мүмкін.
- Техникалық сипаттамалары әр елде әр түрлі болуы мүмкін.
- Салмағы EPTA-Procedure 01/2014 стандартына сәйкес

Белгілер

Төменде жабдықта пайдаланылған белгілер көрсетілген. Қолданар алдында олардың мағынасын түсініп алыңыз.



Пайдалану жөніндегі нұсқаулықты оқып шығыңыз.



ҚОС ҚАБАТТЫ ОҚШАУЛАУ



Тек ЕО елдері үшін
Электрлік жабдықты тұрмыстық қалдықтармен бірге тастамаңыз!
Электрлік және электрондық жабдықты қоқысқа тастау бойынша Еуропалық директиваның шарттары бойынша, қызметтік мерзімі аяқталған электрлік жабдық бөлек жиналып, экологиялық тұрғыдан қауіпсіз утилизация пунктіне қайтарылуы тиіс.

Қолдану мақсаты

Құрал ағаш, пластмасса және металл материалдардың көлемді беттерін, сондай-ақ боялған беттерді ажарлауға арналған.

Қуат көзі

Құрал паспорттық деректері бар фирмалық тақтайшада көрсетілген кернеумен бірдей қуат көзіне қосылуы керек және тек бір фазалы АТ көзімен жұмыс істейді. Оның қос қабатты оқшауламасы бар болғандықтан, жерге тұйықталмаған розеткаларды пайдалануға болады.

Шу

Шу EN62841-2-4 стандартына сай анықталған стандартты А қысығы бойынша өлшенген шу деңгейі:

Дыбыс қысымының деңгейі (L_{pA}) : 83 дБА

Дыбыс қысымының деңгейі (L_{WA}) : 94 дБА

Дәлсіздігі (K) : 3 дБА

ЕСКЕРТПЕ: Шудың жарияланған таралу мән(дер) і стандартты сынау әдісіне сәйкес өлшенген және оны бір құралды екінші құралмен салыстыру үшін пайдалануға болады.

ЕСКЕРТПЕ: Жарияланған шуды сондай-ақ әсерді алдын ала бағалау үшін пайдалануға болады.

⚠ЕСКЕРТУ: Қорғаныс құлаққабын киіңіз.

⚠ЕСКЕРТУ: Электрлік құралды іс жүзінде пайдалану кезіндегі шудың таралу мөні құралдың пайдалану әдісіне, әсіресе қандай дайындама өңделгеніне байланысты жарияланған мәнінен өзгеше болуы мүмкін.

⚠ЕСКЕРТУ: Іс жүзінде пайдалану кезіндегі әсерді бағалау негізінде операторды қорғау үшін қауіпсіздік шараларын анықтаңыз (құралдың өшірілген уақыты және бос жүріс уақытын қоса алғанда, іске қосылу уақыты сияқты барлық жұмыс циклдерін ескеру керек).

Діріл

EN62841-2-4 стандартына сәйкес анықталған дірілдің жалпы мөні (үш осьтік векторлық сомасы):
Жұмыс режимі: металл табақшаны ажарлау
Дірілдің таралуы (a_n) : 2,5 м/с² немесе одан аз
Дәлсіздік (K) : 1,5 м/с²

ЕСКЕРТПЕ: Дірілдің жарияланған жалпы мән(дер) і стандартты сынау әдісіне сәйкес өлшенген және оны бір құралды екінші құралмен салыстыру үшін пайдалануға болады.

ЕСКЕРТПЕ: Сондай-ақ дірілдің жарияланған жалпы мән(дер)ін әсерді алдын ала бағалау үшін пайдалануға болады.

⚠ЕСКЕРТУ: Электрлік құралды іс жүзінде пайдалану кезіндегі дірілдің мөні құралдың пайдалану әдісіне, әсіресе қандай дайындама өңделгеніне байланысты жарияланған мән(дер)інен өзгеше болуы мүмкін.

⚠ЕСКЕРТУ: Іс жүзінде пайдалану кезіндегі әсерді бағалау негізінде операторды қорғау үшін қауіпсіздік шараларын анықтаңыз (құралдың өшірілген уақыты және бос жүріс уақытын қоса алғанда, іске қосылу уақыты сияқты барлық жұмыс циклдерін ескеру керек).

ЕС сәйкестік декларациясы

Тек Еуропа елдеріне арналған

ЕС сәйкестік декларациясы осы пайдалану жөніндегі нұсқаулықтың А қосымшасы ретінде қосылған.

Электрлік құралдың жалпы қауіпсіздік ескертулері

⚠️ЕСКЕРТУ: Осы электрлік құралмен бірге берілген қауіпсіздік ескертулерін, нұсқауларды, суреттерді және техникалық сипаттамаларды оқып шығыңыз. Төменде берілген барлық нұсқауды орындамаған жағдайда, электр тогының соғуы, өрт шығуы және/немесе ауыр жарақат алуға себеп болуы мүмкін.

Алдағы уақытта қолдану үшін барлық ескерту мен нұсқауды сақтап қойыңыз.

Ескертулердегі “электрлік құрал” термині қуат көзінен жұмыс істейтін (сымды) электрлік құралды немесе аккумулятормен жұмыс істейтін (сымсыз) электрлік құралды білдіреді.

Жұмыс аймағындағы қауіпсіздік

1. **Жұмыс аймағы таза әрі жарық болуы керек.** Лас немесе қараңғы аймақтарда жазатайым оқиғалар туындауы мүмкін.
2. **Электрлік құралды айналасында тез тұтанатын сұйықтық, газ немесе шаң сияқты заттардан тұратын жарылыс қаупі бар орталарда пайдаланбаңыз.** Электрлік құралдар шаң немесе газды тұтандыратын электр ұшықандарын шығарады.
3. **Электрлік құралды пайдаланған кезде, балалар және бөгде адамдар алшақ жүруі керек.** Басқа нәрсеге алаңдаспаңыз, құралға ие бола алмай қалуыңыз мүмкін.

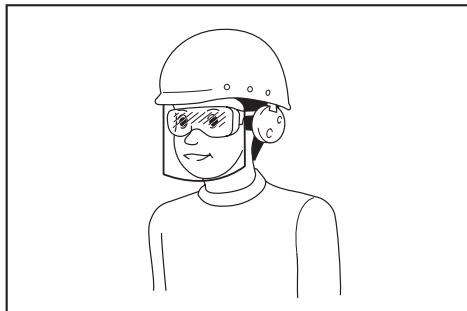
Электрлік қауіпсіздік

1. **Электрлік құралдың ашасы розеткаға сәйкес келуі керек.** Ашаны ешбір жағдайда өзгертпеңіз. Адаптер ашаларын жерге тұйықталған электрлік құралдармен пайдаланбаңыз. Өзгертілмеген ашалар мен сәйкес келетін розеткалар электр тогының соғу қаупін азайтады.
2. **Түтіктер, радиаторлар, жылу батареялары және тоңазытқыштар сияқты жерге тұйықталған бұйымдарды ұстамаңыз.** Егер денеңіз жерге тұйықталатын болса, ток соғу қаупі жоғары болады.
3. **Электрлік құралдарды жаңбырдың астына немесе ылғалды жерлерге қоймаңыз.** Электрлік құралға су кіретін болса, ток соғу қаупі артады.
4. **Қуат сымын мұқият пайдаланыңыз.** Электрлік құралды тасу, тарту немесе қуат көзінен ажырату үшін қуат сымын пайдалануға болмайды. Қуат сымына ыстық зат, май, өткір жиек немесе қозғалмалы бөлшектер тимеуі керек. Зақымдалған немесе оралған қуат сымдары ток соғу қаупін арттырады.
5. **Электрлік құралды сыртта пайдаланғанда, сыртта қолдануға жарамды ұзартқышты қолданыңыз.** Сыртта қолдануға жарамды шнурды пайдалану ток соғу қаупін азайтады.
6. **Егер электрлік құралды ылғалды жерде пайдалану керек болса, қорғаныстық ажырату құрылғысын (RCD) пайдаланыңыз.** Қорғаныстық ажырату құрылғысын пайдалану ток соғу қаупін азайтады.
7. **Электр қуатын әрдайым 30 мА немесе одан кем номиналды дифференциалды тогы бар қорғаныстық ажырату құрылғысы (RCD) арқылы пайдалану ұсынылады.**
8. **Электрлік құралдар электрмагниттік өрістер шығарады, ол пайдаланушыға қауіпті емес.** Дегенмен электрокардиостимулятор және соған ұқсас басқа медициналық құрылғылардың пайдаланушылары электрлік құралды пайдаланбас бұрын, өндірушімен және/немесе дәрігермен кеңесуі керек.
9. **Қуат ашасын су қолыңызбен ұстамаңыз.**
10. **Егер сымы зақымдалған болса, қауіптен сақтану үшін оны өндірушіге немесе оның агентіне апарып ауыстырыңыз.**

Жеке қауіпсіздік

1. **Электрлік құралды пайдаланған кезде, жасап жатқан жұмысыңызға қырағылық танытып, мұқият болыңыз.** Шаршағанда немесе есірткі, алкоголь немесе дәрі-дәрмектің әсерінде болған кезде электрлік құралды пайдаланбаңыз. Электрлік құралды пайдалану кезінде сөл ғана аңсыздық таныту ауыр жарақатқа әкелуі мүмкін.
2. **Жеке қорғаныс құралдарын пайдаланыңыз.** Міндетті түрде қорғаныс көзділдігін тағыңыз. Шаңнан қорғайтын маска, сырғанамайтын қорғаныс аяқ киімi, каска немесе құлақпаң сияқты қорғаныс жабдықтарын тиісті жағдайларда қолдану жарақаттануды азайтады.
3. **Кездейсоқ іске қосудың алдын алыңыз.** Құралды қуат көзіне және/немесе аккумулятор блогына қоспас бұрын, оны жинап немесе тасымалдамас бұрын, ауыстырып-қосқыш өшірулі күйде екеніне көз жеткізіңіз. Саусақ электрлік құралдың ауыстырып-қосқышында тұрған кезде оны тасымалдау немесе ауыстырып-қосқышы қосулы электрлік құралды қуат көзіне қосу жазатайым оқиғаға әкелуі соғуы мүмкін.
4. **Электрлік құралды қоспас бұрын, реттегіш немесе сомынды бұрайтын кілттерді алып тастаңыз.** Электрлік құралдың айналымалы бөлгінде реттегіш немесе сомынды бұрайтын кілт бекітулі қалса, жарақаттануы мүмкін.
5. **Тым артық күш салмаңыз.** Әрдайым тұрақты және тепе-теңдік сақтайтын күйде болыңыз. Бұл күтпеген жағдайда электрлік құралды жақсы басқаруға мүмкіндік береді.
6. **Жұмысқа сай киініңіз.** Бос киім қимеңіз және ешекей тақпаңыз. Шашыңызды және киіміңізді қозғалмалы бөлшектерден алшақ ұстаңыз. Бос киім, ешекейлер немесе ұзын шаш қозғалмалы бөлшектерге ілініп қалуы мүмкін.
7. **Шаң тұту және жинау құрылғылары қамтамасыз етілген болса, олардың қосулы екендігіне және дұрыс қолданылып жатқанына көз жеткізіңіз.** Шаң жинау құрылғысын пайдалану шаңмен байланысты қауіпті азайтуы мүмкін.
8. **Құралды жиі пайдалану нәтижесінде босаңсып, қауіпсіздік қағидаларын елеусіз қалдырмаңыз.** Салғырттық таныту бір мезетте ауыр жарақатқа әкелуі соқтыруы мүмкін.

9. **Электрлік құралды пайдаланған кезде көзіңізді жарақаттап алмау үшін міндетті түрде қорғаныс көзілдірігін тағыңыз. Қорғаныс көзілдіріктері АҚШ-та ANSI Z87.1, Еуропада EN 166 немесе Австралияда/ Жаңа Зеландияда AS/NZS 1336 қауіпсіздік стандарттарымен сәйкес келуі керек. Австралияда/Жаңа Зеландияда бетіңізді қорғау үшін қорғаныс маскасын кию заң негізінде талап етіледі.**



Құрал пайдаланушылары мен жұмыс аймағындағы басқа да тұлғалардың тиісті қауіпсіздік қорғаныс жабдықтарын пайдалануын қамтамасыз ету жұмыс берушінің жауапкершілігінде.

Электрлік құралды пайдалану және күтім жасау

1. **Электрлік құралға артық күш түсірмеңіз. Орындалатын жұмысқа сәйкес келетін электрлік құралды пайдаланыңыз. Дұрыс таңдалған электрлік құрал өзіне жүктелген жұмысты жақсы және қауіпсіз істейді.**
2. **Ауыстырып-қосқышы ақаулы электрлік құралды пайдаланбаңыз. Ауыстырып-қосқышы ақаулы кез келген электрлік құрал қауіп көндіреді және оны жөндеу керек.**
3. **Кез келген реттеулер жасамас бұрын, керек-жарақтарды ауыстырмас бұрын немесе электрлік құралдарды ұзақ уақытқа сақтамас бұрын, ашаны қуат көзіннен ажыратыңыз және/немесе аккумулятор блогы бар болса, оны шығарып алыңыз. Осындай алдын алу шаралары электрлік құралдың кездейсоқ іске қосылу қаупін азайтады.**
4. **Электрлік құралдарды балалардың қолы жетпейтін жерде сақтаңыз, сонымен қатар электрлік құралмен жұмыс істей алмайтын және осы нұсқауларды оқымаған тұлғаларға құралды пайдалануға рұқсат етпеңіз. Арнайы оқытудан өтпеген пайдаланушылар үшін электрлік құрал қауіп төндіреді.**
5. **Электр құралдарына және керек-жарақтарға техникалық қызмет көрсетіңіз. Қозғалмалы бөлшектердің ауытқуы және оралуы, зақымдалған бөлшектер және электрлік құралдың жұмысына кері әсер ететін басқа жағдайлардың бар-жоғын тексеріңіз. Зақымы болса, электрлік құралды жөндеген соң бірақ пайдаланыңыз. Жазатайым оқиғалардың көбі электрлік құралдарға дұрыс техникалық қызмет көрсетілмеу себебінен болады.**

6. **Кесу құралдары өткір және таза болуы керек. Кескіш жиектері өткір кесу құралдарын дұрыс пайдалансаңыз, олар тұрып қалмайды және сол себепті оларды басқару да оңайырақ етеді.**
7. **Электрлік құралды, керек-жарақтарды және қондырмаларды, т.б. жұмыс жағдайы мен орындалатын жұмысты ескере отырып, осы нұсқауларға сәйкес пайдаланыңыз. Электрлік құралды басқа мақсатта пайдаланған жағдайда, қауіпті жағдай туындауы мүмкін.**
8. **Тұтқалардың және жұмыс орындалатын беттердің құрғақ, таза және майлы болмауын қамтамасыз етіңіз. Тұтқалар және қолмен ұстайтын беттер тайғақ болса, құтпеген жағдай орын алғанда, құралды пайдалану және оған ие болу мүмкін болмайды.**
9. **Электрлік құралды пайдаланған кезде, ішіне тартылу матадан жасалған қорғаныс қолғабын кимеңіз. Матадан жасалған қорғаныс қолғаптары қозғалмалы бөлшектерге ілініп қалса, жарақаттауы мүмкін.**

Қызмет көрсету

1. **Электрлік құралға қызмет көрсетуді тек қаа жөндеу бойынша білікті аман тиісті қосалқы бөлшектерді пайдаланып жүзеге асыруы қажет. Бұл электрлік құралдың қауіпсіздігін қамтамасыз етеді.**
2. **Керек-жарақтарды майлау және ауыстыру нұсқауын орындаңыз.**

ТАСПАЛЫ АЖАРЛАҒЫШ МАШИНА ҚАУІПСІЗДІГІ БОЙЫНША ЕСКЕРТУЛЕР

1. **Электр құралын оқшауланған арнайы қысқыштармен ұстаңыз, себебі ажарлау беті өз сымына тиіп кетуі мүмкін. Кернеулі сымды кесу нәтижесінде электрлік құралдың ашық металл бөлшектерінде кернеу пайда болады және операторды ток соғуы мүмкін.**
2. **Ажарлау жұмыстарын орындаған кезде жұмыс аймағын жақсылап желдетіңіз.**
3. **Кейбір материалдарда улы болуы мүмкін химиялық заттар бар. Шаң жұтпаңыз және теріге тигізбеңіз. Материал жеткізушісінің қауіпсіздік туралы деректерін қараңыз.**
4. **Пайдаланып жатқан материал мен жұмыс үшін әрдайым тиісті түрде шаңнан қорғайтын масканы/респираторды пайдаланыңыз.**
5. **Әрдайым қауіпсіздік көзілдірігін немесе қорғаныс көзілдірігін пайдаланыңыз. Қорғаныс көзілдірік немесе күннен қорғайтын көзілдірік қорғаныс көзілдірігі болып ТАБЫЛМАЙДЫ.**
6. **Құралды екі қолыңызбен мықтап ұстаңыз.**
7. **Ауыстырып-қосқышты іске қоспас бұрын, таспаның өңделетін бөлшекке тиіп тұрмағанына көз жеткізіңіз.**
8. **Қолыңызды айналымалы бөлшектерге жақындатпаңыз.**
9. **Құралды қосулы күйде қалдырмаңыз. Құралды тек қолмен ұстап пайдаланыңыз.**

10. Құралдың су өткізбейтін қасиеті жоқ, сондықтан өңделетін бетке су тигізбеңіз.

ОСЫ НҰСҚАУЛАРДЫ САҚТАҢЫЗ.

▲ЕСКЕРТУ: Бұл өнімді әбден пайдаланып үйренген (қайта-қайта пайдаланғанның нәтижесінде) болсаңыз да және сізге қолайсыздық тудырса да, осы өнімді қолдану кезінде қауіпсіздік техникасы ережелерін қатаң түрде сақтау қажет. Осы пайдалану жөніндегі нұсқаулықта келтірілген қауіпсіздік ережелерін **ДҰРЫС ПАЙДАЛАНБАУ** немесе орындамау ауыр жарақаттарға әкеп соқтыруы мүмкін.

ФУНКЦИОНАЛДЫҚ СИПАТТАМАСЫ

▲САҚ БОЛЫҢЫЗ:

- Құралдың жұмысын реттемей және тексермей тұрып, оның әрдайым өшірулі екеніне және қуат көзінен ажыратылғанына көз жеткізіңіз.

Ауыстырып-қосқыш жұмысы

- **Сурет1:** 1. Құлыптау түймесі 2. Ауыстырып-қосқыш шүріппесі

▲САҚ БОЛЫҢЫЗ:

- Құралды қоспас бұрын, әрдайым ауыстырып-қосқыш шүріппесінің дұрыс жұмыс істеп тұрғанына және босатылған кезде "ӨШІРУЛІ" күйіне қайтарылатынына әрқашан көз жеткізіп тұрыңыз.

Құралды іске қосу үшін жай ғана ауыстырып-қосқыш шүріппесін тартыңыз. Тоқтату үшін ауыстырып-қосқыш шүріппесін жіберіңіз.

Үздіксіз жұмыс істеу үшін ауыстырып-қосқыш шүріппесін тартып, құлыптау түймесін басыңыз. Құралды құлыпталған күйден шығару үшін ауыстырып-қосқыш шүріппесін толығымен тартып, босатыңыз.

Жылдамдық реттегіш дөңгелек

Тек 9911 үлгісі үшін

- **Сурет2:** 1. Жылдамдық реттегіш дөңгелек

Таспаның жылдамдығын минутына 75 м және 270 м айналым ауқымында 1-6 аралығында берілген сан параметріне жылдамдық реттегіш дөңгелекті бұрау арқылы реттеуге болады. Реттегіш дөңгелекті 6 бағытына бұраған кезде жылдамдық жоғарылайды, ал 1 бағытына бұраған кезде – төмендейді. Ажарлау қажет өңделетін бөлшекке сәйкес келетін жылдамдықты таңдаңыз.

▲САҚ БОЛЫҢЫЗ:

- Егер құрал ұзақ уақыт бойы төмен жылдамдықпен үздіксіз қолданылса, бұл мотордың шамадан тыс жүктелуіне әкеледі, нәтижесінде құрал ақаулығы пайда болады.
- Жылдамдық реттегіш дөңгелегін 6 және 1 сандары аралығында бұрауға болады. Дөңгелекті 6 немесе 1 санынан асыруға тырыспаңыз немесе жылдамдық реттегіш функциясы істен шығуы мүмкін.

ҚҰРАСТЫРУ

▲САҚ БОЛЫҢЫЗ:

- Құралмен жұмыс істемес бұрын, әрдайым құралдың өшірулі екендігіне және ажыратылғандығына көз жеткізіңіз.

Ысқыш таспаны орнату немесе алып тастау

- **Сурет3:** 1. Тетік

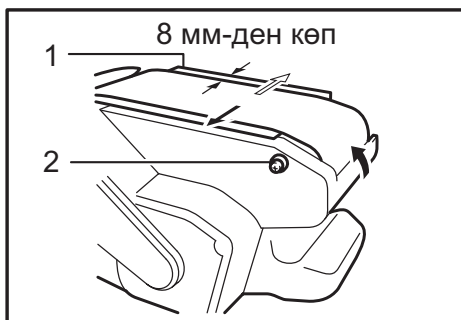
Тетікті толықтай сыртқа тартыңыз және таспаны роликтердің жоғарғы жағына орнатыңыз, содан кейін тетікті бастапқы орнына қайтарыңыз.

▲САҚ БОЛЫҢЫЗ:

- Таспаны орнату кезінде таспаның артқы жағындағы және құралдағы көрсеткі бағытының сәйкес келуін қадағалаңыз.

- **Сурет4**

Таспаның айналасын реттеу



1. Болат пластина 2. Реттегіш бұранда

Құралды қосып, таспаның дұрыс тураланғанын тексеріңіз. Таспаның шеті болат пластина жиегінен шығып тұрса немесе табан жиегіне 8 мм-ден көп жетпей тұрса, таспа айналасын реттеу үшін реттегіш бұранданы пайдаланыңыз.

Шаң қапшығы

► **Сурет5:** 1. Шаң түтігі 2. Шаң қапшығы

Шаң түтігіне шаң қапшығын бекітіңіз. Шаң түтігі соңына қарай сүйірленген. Шаң қапшығын бекіткен кезде жұмыс барысында шығып кетпеуі үшін оны шаң түтігіне орныққанша мықтап итеріңіз.

Шаң қапшығы шамамен жартылай толғанда, оны құралдан алып, бекіткішті тартып шығарыңыз. Шаң қапшығының ішіне жабысып қалған бөлшектерді сәл қағып түсіріп тастаңыз, әйтпесе олар шаңды одан әрі жинауға кедергі келтіруі мүмкін.

ЕСКЕРТПЕ:

- Егер бұл құралға Makita шаңсорғышын қоссаңыз, жұмысты бұрынғыдан да тиімді әрі ұқыпты жасай аласыз.

Makita шаңсорғышына жалғау

► **Сурет6:** 1. Ішкі диаметрі 28 мм қосымша шланг 2. Шаңсорғыштың шлангісі 3. Шаңсорғыш

Ажарлау жұмыстарын таспалы ажарлағыш машинаны Makita шаңсорғышына қосу арқылы таза орындауға болады.

Makita шаңсорғышына қосу кезінде ішкі диаметрі 28 мм қосымша шланг қажет.

ПАЙДАЛАНУ

Ажарлау жұмыстары

► **Сурет7**

▲ **САҚ БОЛЫҢЫЗ:**

- Құралды қосу немесе өшіру кезінде ол өңделетін бөлшекпен жанасып тұрмауы тиіс. Әйтпесе ажарлау жұмысы нашар орындалуы мүмкін немесе таспаның зақымдалуы ықтимал.

Құралды екі қолыңызбен мықтап ұстаңыз. Құралды іске қосыңыз және ол толық жылдамдыққа жеткенше күтіңіз. Содан кейін құралды өңделетін бөлшектің бетіне мұқият орналастырыңыз. Таспаны өңделетін бөлшекпен әрдайым беттестіріп ұстаңыз және құралды ілгері-кейін жылжытыңыз.

Құралға қатты күш түсірмеңіз. Құралдың салмағы жеткілікті қысым түсіреді. Шамадан тыс түсірілген қысым құралдың кептеліп қалуына, мотордың қызып кетуіне, өңделетін бөлшектің күюіне және ықтимал кері соққыға әкелуі мүмкін.

Қысқыштар (қосымша керек-жарақ)

Құрылғыны төңкерілген күйінде пайдалануға болады. Осылай пайдалану үшін құрылғыны орнықты жұмыс үстеліне екі қысқышпен бекітіп қойыңыз.

► **Сурет8:** 1. Қысқыштар

ТЕХНИКАЛЫҚ ҚЫЗМЕТ КӨРСЕТУ

▲ **САҚ БОЛЫҢЫЗ:**

- Тексеру немесе техникалық қызмет көрсету жұмыстарын жүргізбес бұрын, әрдайым құралдың өшірулі екеніне және желіден ажыратылғанына көз жеткізіңіз.
- Жанармайды, бензинді, сұйылтқышты, спиртті немесе соған ұқсас заттарды ешқашан пайдаланбаңыз. Нәтижесінде құралдың түссізденуі, бүлінуі немесе онда жарықтар пайда болуы мүмкін.

Өнімнің ҚАУІПСІЗДІГІ мен СЕНІМДІЛІГІН қамтамасыз ету үшін жөндеу жұмыстары, графитті қылшақты тексеру және алмастыру, кез келген басқа техникалық қызмет көрсету немесе реттеу жұмыстары Makita компаниясының өкілетті немесе Зауыттық қызмет көрсету орталықтары тарапынан (Makita қосалқы бөлшектерін қолдана отырып) орындалуы керек.

ҚОСЫМША КЕРЕК-ЖАРАҚТАР

▲ **САҚ БОЛЫҢЫЗ:**

- Бұл керек-жарақтарды немесе қондырмаларды осы нұсқаулықта көрсетілген Makita құралымен бірге пайдаланған дұрыс. Басқа керек-жарақтар мен қондырмаларды пайдалану адамдардың жарақаттануына әкелуі мүмкін. Керек-жарақты немесе қондырманы тек мақсатына сәйкес пайдаланыңыз.

Осы керек-жарақтар туралы қосымша мәлімет алу үшін жергілікті Makita қызмет көрсету орталығына хабарласыңыз.

- Ысқыш таспалар
- Шаң қапшығы
- Қысқыш
- Ішкі диаметрі 28 мм шланг

ЕСКЕРТПЕ:

- Тізімдегі кейбір элементтер стандартты керек-жарақтар ретінде құралдың қаптамасында болуы мүмкін. Олар әр елде әртүрлі болуы мүмкін.

© KOMFORT



Makita Europe N.V. Jan-Baptist Vinkstraat 2,
3070 Kortenberg, Belgium

Makita Corporation 3-11-8, Sumiyoshi-cho,
Anjo, Aichi 446-8502 Japan

www.makita.com

884138A780 EN, RU, KK 20190319
