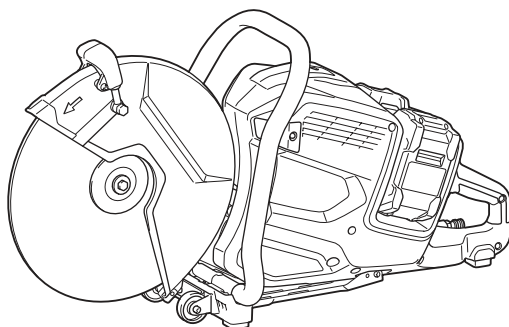




EN	Cordless Power Cutter	INSTRUCTION MANUAL	8
SV	Batteridrivnen kapmaskin	BRUKSANVISNING	17
NO	Batteridrevet kappsag	BRUKSANVISNING	26
FI	Akkukäyttöinen sähkölaikkaleikkuri	KÄYTTÖOHJE	35
DA	Akku sav	BRUGSANVISNING	44
LV	Bezvada mehānizētā frēze	LIETOŠANAS INSTRUKCIJA	53
LT	Belaidis abrazyvinis diskinis pjauštytuvas	NAUDOJIMO INSTRUKCIJA	62
ET	Juhtmeta ketaslõikur	KASUTUSJUHEND	71
RU	Аккумуляторный резчик	РУКОВОДСТВО ПО ЭКСПЛУАТАЦИИ	80

CE001G



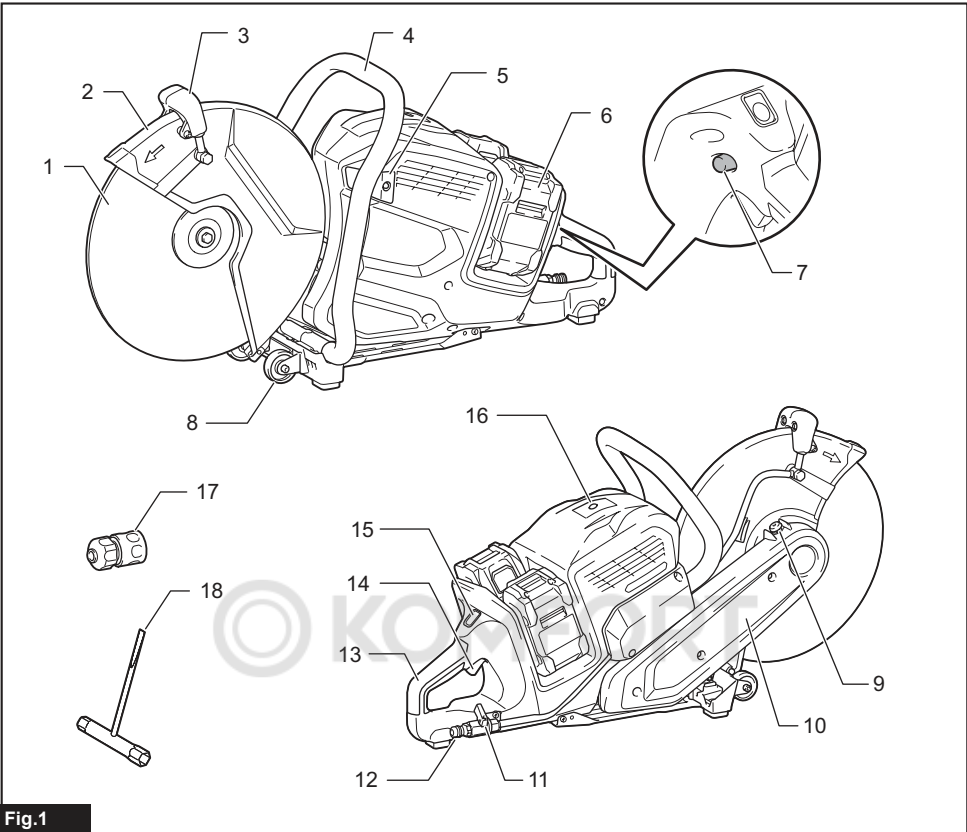


Fig.1

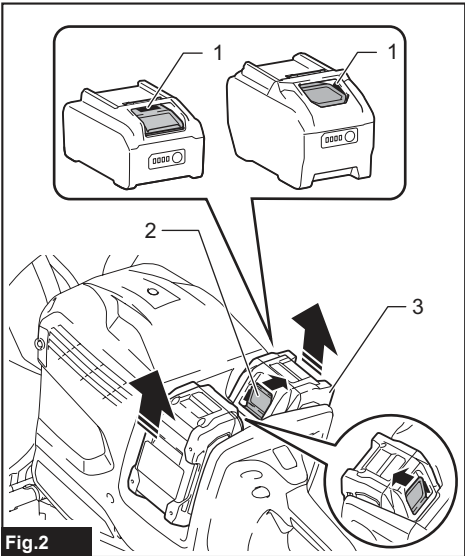


Fig.2

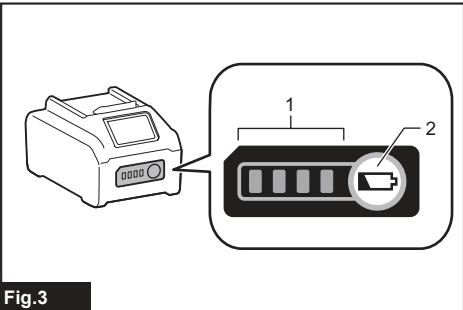


Fig.3

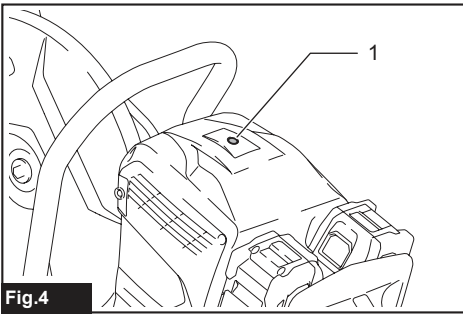


Fig.4

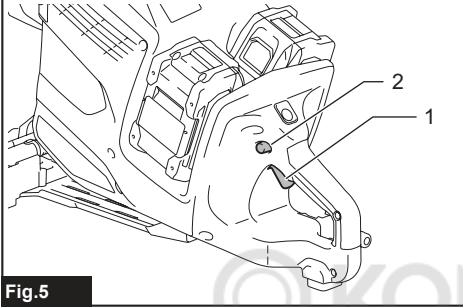


Fig.5

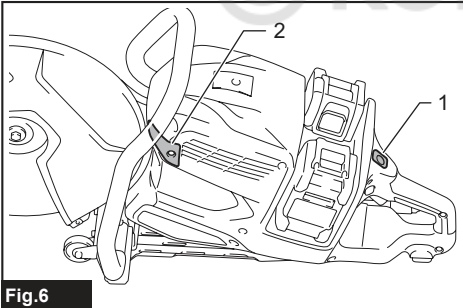


Fig.6

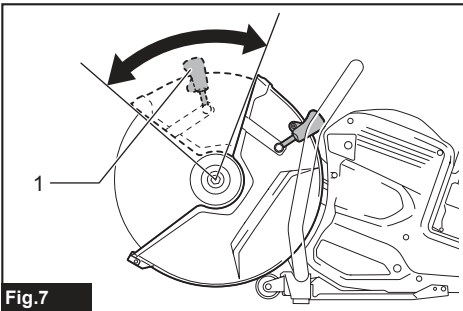


Fig.7

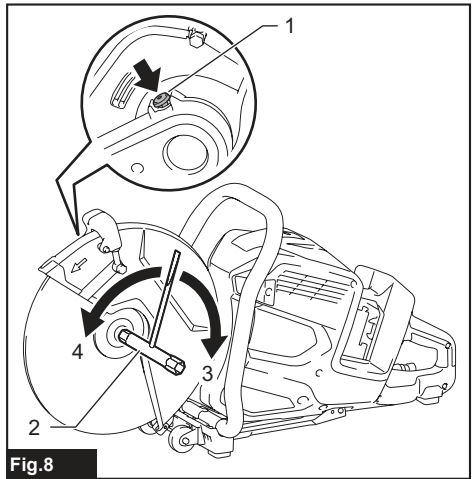


Fig.8

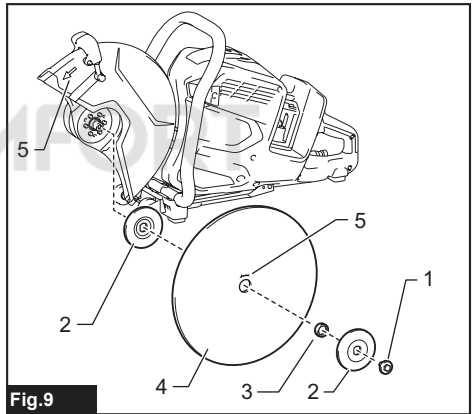


Fig.9

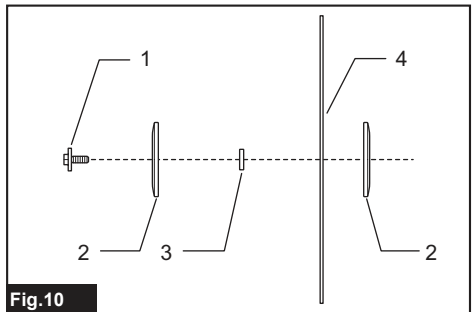


Fig.10

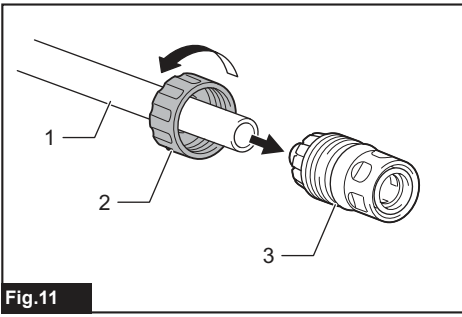


Fig.11

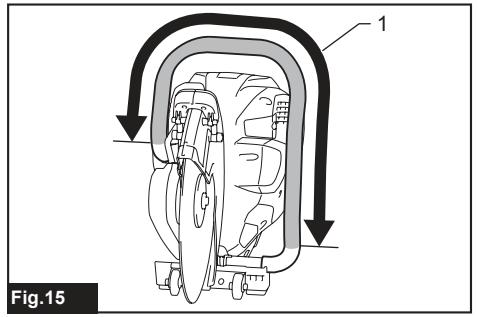


Fig.15

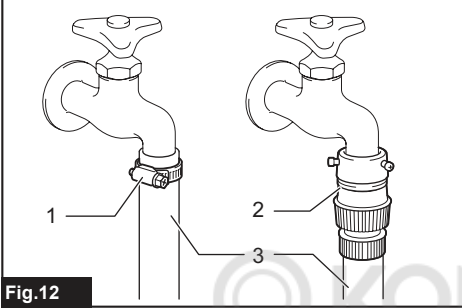


Fig.12

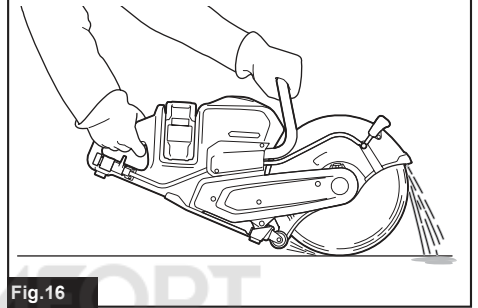


Fig.16

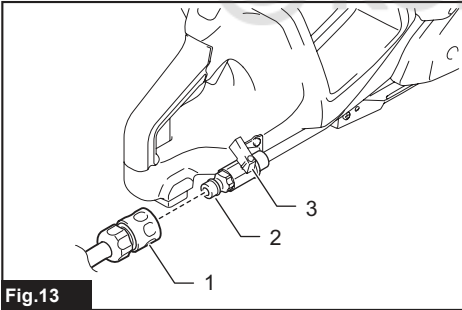


Fig.13

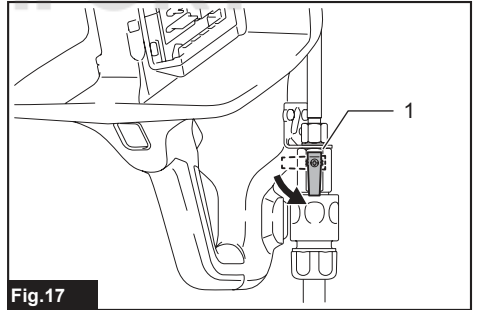


Fig.17

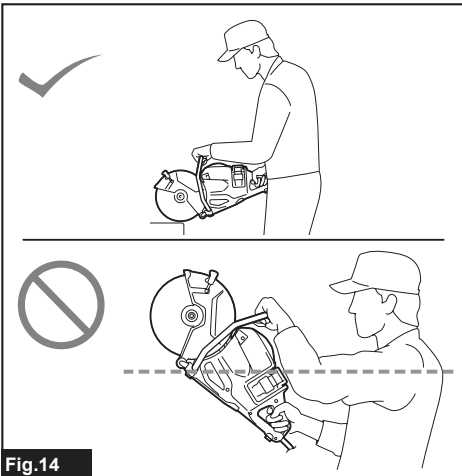


Fig.14

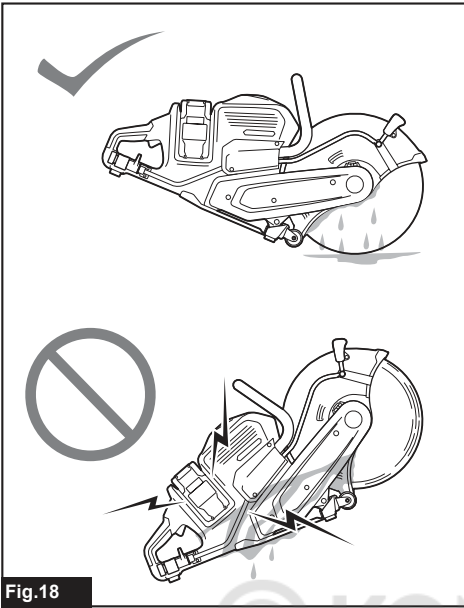


Fig.18

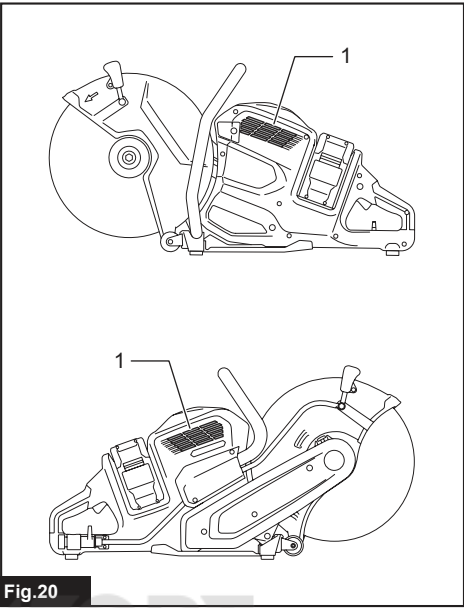


Fig.20

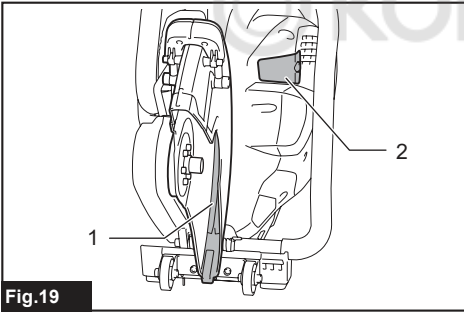


Fig.19

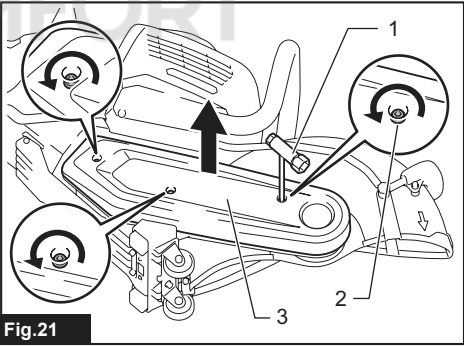


Fig.21

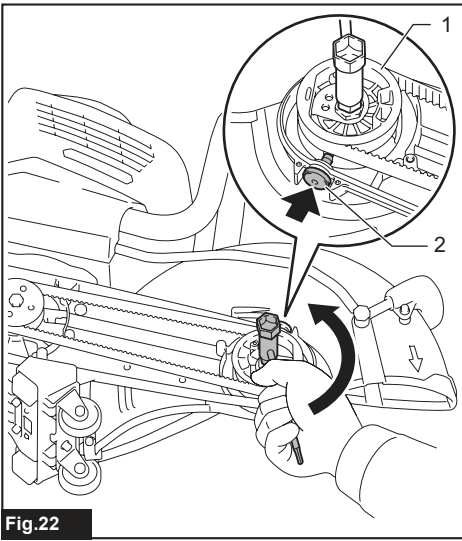


Fig. 22

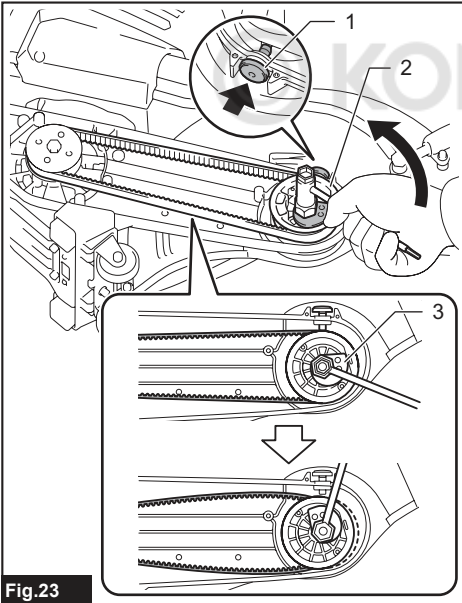


Fig. 23

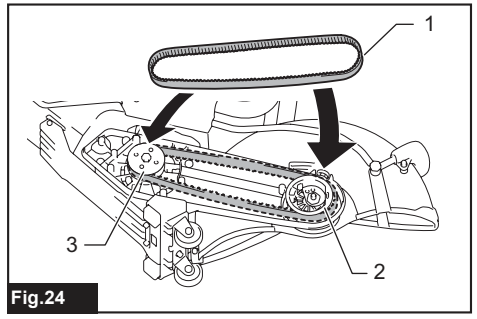


Fig. 24

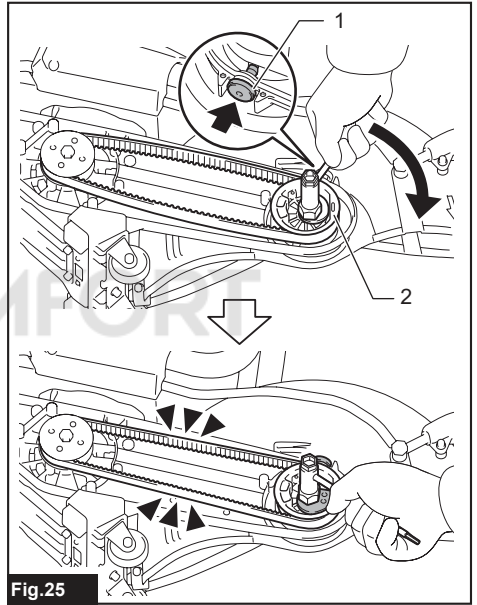


Fig. 25

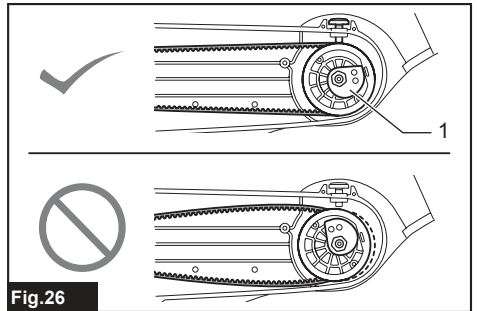


Fig. 26

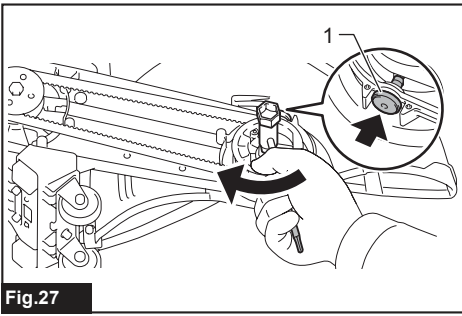


Fig.27

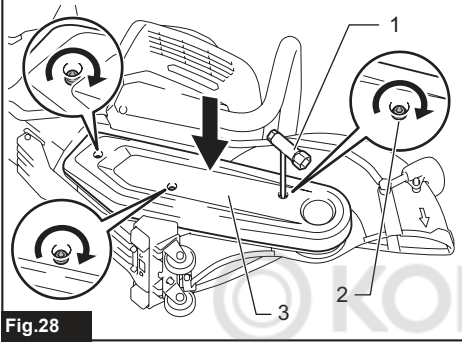


Fig.28

KOMFORT

SPECIFICATIONS

Model:	CE001G
Wheel diameter	355 mm
Max. wheel thickness	5.0 mm
Max. cutting depth	127 mm
Rated speed	5,300 min ⁻¹
Rated voltage	D.C. 72 V - 80 V max
Max. permitted pressure of feed-water	5.0 bars
Overall length	786 mm
Net weight	12.3 - 12.9 kg
Protection degree	IPX4

- Due to our continuing program of research and development, the specifications herein are subject to change without notice.
- Specifications may differ from country to country.
- The weight may differ depending on the attachment(s), including the battery cartridge. The lightest and heaviest combination, according to EPTA-Procedure 01/2014, are shown in the table.

Applicable battery cartridge and charger

Battery cartridge	BL4040 / BL4050F* *: Recommended battery
Charger	DC40RA / DC40RB / DC40RC

- Some of the battery cartridges and chargers listed above may not be available depending on your region of residence.

⚠ WARNING: Only use the battery cartridges and chargers listed above. Use of any other battery cartridges and chargers may cause injury and/or fire.

Intended use

The tool is intended for cutting in metal materials with an abrasive cut-off wheel and also masonry materials with a diamond wheel.

Noise

The typical A-weighted noise level determined according to EN60745-2-22:

Sound pressure level (L_{pA}) : 109 dB(A)

Sound power level (L_{WA}) : 120 dB (A)

Uncertainty (K) : 3 dB(A)

NOTE: The declared noise emission value(s) has been measured in accordance with a standard test method and may be used for comparing one tool with another.

NOTE: The declared noise emission value(s) may also be used in a preliminary assessment of exposure.

⚠ WARNING: Wear ear protection.

⚠ WARNING: The noise emission during actual use of the power tool can differ from the declared value(s) depending on the ways in which the tool is used especially what kind of workpiece is processed.

⚠ WARNING: Be sure to identify safety measures to protect the operator that are based on an estimation of exposure in the actual conditions of use (taking account of all parts of the operating cycle such as the times when the tool is switched off and when it is running idle in addition to the trigger time).

Vibration

Work mode: concrete cutting

Left hand		Right hand		Applicable standard
$a_{h,w}$ (m/s ²)	Uncertainty K (m/s ²)	$a_{h,w}$ (m/s ²)	Uncertainty K (m/s ²)	
≤ 2.5	1.5	≤ 2.5	1.5	EN60745-2-22

NOTE: The declared vibration total value(s) has been measured in accordance with a standard test method and may be used for comparing one tool with another.

NOTE: The declared vibration total value(s) may also be used in a preliminary assessment of exposure.

⚠ WARNING: The vibration emission during actual use of the power tool can differ from the declared value(s) depending on the ways in which the tool is used especially what kind of workpiece is processed.

⚠ WARNING: Be sure to identify safety measures to protect the operator that are based on an estimation of exposure in the actual conditions of use (taking account of all parts of the operating cycle such as the times when the tool is switched off and when it is running idle in addition to the trigger time).

EC Declaration of Conformity

For European countries only

The EC declaration of conformity is included as Annex A to this instruction manual.

SAFETY WARNINGS

General power tool safety warnings

⚠ WARNING: Read all safety warnings, instructions, illustrations and specifications provided with this power tool. Failure to follow all instructions listed below may result in electric shock, fire and/or serious injury.

Save all warnings and instructions for future reference.

The term "power tool" in the warnings refers to your mains-operated (corded) power tool or battery-operated (cordless) power tool.

Cordless cutter safety warnings

1. **The guard provided with the tool must be securely attached to the power tool and positioned for maximum safety, so the least amount of wheel is exposed towards the operator. Position yourself and bystanders away from the plane of the rotating wheel.** The guard helps to protect operator from broken wheel fragments and accidental contact with wheel.
2. **Use only bonded reinforced or diamond cut-off wheels for your power tool.** Just because an accessory can be attached to your power tool, it does not assure safe operation.
3. **The rated speed of the accessory must be at least equal to the maximum speed marked on the power tool.** Accessories running faster than their rated speed can break and fly apart.

4. **Wheels must be used only for recommended applications. For example: do not grind with the side of cut-off wheel.** Abrasive cut-off wheels are intended for peripheral grinding, side forces applied to these wheels may cause them to shatter.
5. **Always use undamaged wheel flanges that are of correct diameter for your selected wheel.** Proper wheel flanges support the wheel thus reducing the possibility of wheel breakage.
6. **Do not use worn down reinforced wheels from larger power tools.** Wheels intended for a larger power tool are not suitable for the higher speed of a smaller tool and may burst.
7. **The outside diameter and the thickness of your accessory must be within the capacity rating of your power tool.** Incorrectly sized accessories cannot be adequately guarded or controlled.
8. **The arbour size of wheels and flanges must properly fit the spindle of the power tool.** Wheels and flanges with arbour holes that do not match the mounting hardware of the power tool will run out of balance, vibrate excessively and may cause loss of control.
9. **Do not use damaged wheels. Before each use, inspect the wheels for chips and cracks. If power tool or wheel is dropped, inspect for damage or install an undamaged wheel. After inspecting and installing the wheel, position yourself and bystanders away from the plane of the rotating wheel and run the power tool at maximum no load speed for one minute.** Damaged wheels will normally break apart during this test time.
10. **Wear personal protective equipment. Depending on application, use face shield, safety goggles or safety glasses. As appropriate, wear dust mask, hearing protectors, gloves and shop apron capable of stopping small abrasive or workpiece fragments.** The eye protection must be capable of stopping flying debris generated by various operations. The dust mask or respirator must be capable of filtering particles generated by your operation. Prolonged exposure to high intensity noise may cause hearing loss.

11. **Keep bystanders a safe distance away from work area. Anyone entering the work area must wear personal protective equipment.** Fragments of workpiece or of a broken wheel may fly away and cause injury beyond immediate area of operation.
12. **Hold the power tool by insulated gripping surfaces only, when performing an operation where the cutting accessory may contact hidden wiring.** Cutting accessory contacting a "live" wire may make exposed metal parts of the power tool "live" and could give the operator an electric shock.
13. **Never lay the power tool down until the accessory has come to a complete stop.** The spinning wheel may grab the surface and pull the power tool out of your control.
14. **Do not run the power tool while carrying it at your side.** Accidental contact with the spinning accessory could snag your clothing, pulling the accessory into your body.
15. **Regularly clean the power tool's air vents.** The motor's fan will draw the dust inside the housing and excessive accumulation of powdered metal may cause electrical hazards.
16. **Do not operate the power tool near flammable materials.** Sparks could ignite these materials.

Kickback and related warnings

Kickback is a sudden reaction to a pinched or snagged rotating wheel. Pinching or snagging causes rapid stalling of the rotating wheel which in turn causes the uncontrolled power tool to be forced in the direction opposite of the wheel's rotation at the point of the binding.

For example, if an abrasive wheel is snagged or pinched by the workpiece, the edge of the wheel that is entering into the pinch point can dig into the surface of the material causing the wheel to climb out or kick out. The wheel may either jump toward or away from the operator, depending on direction of the wheel's movement at the point of pinching. Abrasive wheels may also break under these conditions.

Kickback is the result of power tool misuse and/or incorrect operating procedures or conditions and can be avoided by taking proper precautions as given below.

1. **Maintain a firm grip on the power tool and position your body and arm to allow you to resist kickback forces. Always use auxiliary handle, if provided, for maximum control over kickback or torque reaction during start-up.** The operator can control torque reactions or kickback forces, if proper precautions are taken.
 2. **Never place your hand near the rotating accessory.** Accessory may kickback over your hand.
 3. **Do not position your body in line with the rotating wheel.** Kickback will propel the tool in direction opposite to the wheel's movement at the point of snagging.
 4. **Use special care when working corners, sharp edges etc. Avoid bouncing and snagging the accessory.** Corners, sharp edges or bouncing have a tendency to snag the rotating accessory and cause loss of control or kickback.
 5. **Do not attach a saw chain, woodcarving blade, segmented diamond wheel with a peripheral gap greater than 10 mm or toothed saw blade.** Such blades create frequent kickback and loss of control.
6. **Do not "jam" the wheel or apply excessive pressure. Do not attempt to make an excessive depth of cut.** Overstressing the wheel increases the loading and susceptibility to twisting or binding of the wheel in the cut and the possibility of kickback or wheel breakage.
 7. **When wheel is binding or when interrupting a cut for any reason, switch off the power tool and hold the power tool motionless until the wheel comes to a complete stop. Never attempt to remove the wheel from the cut while the wheel is in motion otherwise kickback may occur.** Investigate and take corrective action to eliminate the cause of wheel binding.
 8. **Do not restart the cutting operation in the workpiece. Let the wheel reach full speed and carefully re-enter the cut.** The wheel may bind, walk up or kickback if the power tool is restarted in the workpiece.
 9. **Support panels or any oversized workpiece to minimize the risk of wheel pinching and kickback.** Large workpieces tend to sag under their own weight. Supports must be placed under the workpiece near the line of cut and near the edge of the workpiece on both sides of the wheel.
 10. **Use extra caution when making a "pocket cut" into existing walls or other blind areas.** The protruding wheel may cut gas or water pipes, electrical wiring or objects that can cause kickback.

Additional Safety Warnings:

1. **Before using a segmented diamond wheel, make sure that the diamond wheel has the peripheral gap between segments of 10 mm or less, only with a negative rake angle.**
2. **Never attempt to cut with the tool held upside down in a vise. This can lead to serious accidents, because it is extremely dangerous.**
3. **Some material contains chemicals which may be toxic. Take caution to prevent dust inhalation and skin contact. Follow material supplier safety data.**
4. **Store wheels as per manufacturer recommendations. Improper storage may damage the wheels.**
5. **Always use the wheel suitable for your work and the material to be cut.**
6. **Examine the material to be cut before cutting.** If the material contains explosive or flammable substances, it may cause an explosion or fire.
7. **Do not switch on the tool if a foreign object is jammed between the guard and the wheel.** In this case, uninstall the battery cartridge and remove the foreign object.
8. **Use clamps or similar to support the workpiece whenever possible.**
9. **Always wear hearing protection during operation.**
10. **Do not cut wood materials with this tool.**
11. **The outside diameter and the thickness of the wheel must be within the capacity rating of your power tool.** Incorrectly sized wheels cannot be adequately guarded or controlled.
12. **When operating the power tool, maintain a firm grip with both hands on the power tool and position your body and arm to allow you to resist kickback forces.**

13. Keep your hands or face away from the rotating wheel.
14. Adjust the wheel cover to a position suitable for your work.
15. When you use the tool on muddy ground, wet slope, or slippery place, pay attention to your footing.
16. Do not submerge the tool into a puddle.
17. Do not leave the tool unattended outdoors in the rain.
18. Do not replace the battery in the rain.
19. When storing the tool, avoid direct sunlight and rain, and store it in a place where it does not get hot or humid.
20. The contained lithium-ion batteries are subject to the Dangerous Goods Legislation requirements. For commercial transports e.g. by third parties, forwarding agents, special requirement on packaging and labeling must be observed. For preparation of the item being shipped, consulting an expert for hazardous material is required. Please also observe possibly more detailed national regulations. Tape or mask off open contacts and pack up the battery in such a manner that it cannot move around in the packaging.

SAVE THESE INSTRUCTIONS.

⚠WARNING: DO NOT let comfort or familiarity with product (gained from repeated use) replace strict adherence to safety rules for the subject product. MISUSE or failure to follow the safety rules stated in this instruction manual may cause serious personal injury.

Important safety instructions for battery cartridge

1. Before using battery cartridge, read all instructions and cautionary markings on (1) battery charger, (2) battery, and (3) product using battery.
2. Do not disassemble or tamper with the battery cartridge. It may result in a fire, excessive heat, or explosion.
3. If operating time has become excessively shorter, stop operating immediately. It may result in a risk of overheating, possible burns and even an explosion.
4. If electrolyte gets into your eyes, rinse them out with clear water and seek medical attention right away. It may result in loss of your eyesight.
5. Do not short the battery cartridge:
 - (1) Do not touch the terminals with any conductive material.
 - (2) Avoid storing battery cartridge in a container with other metal objects such as nails, coins, etc.
 - (3) Do not expose battery cartridge to water or rain.

A battery short can cause a large current flow, overheating, possible burns and even a breakdown.
6. Do not store and use the tool and battery cartridge in locations where the temperature may reach or exceed 50 °C (122 °F).
7. Do not incinerate the battery cartridge even if it is severely damaged or is completely worn out. The battery cartridge can explode in a fire.
8. Do not nail, cut, crush, throw, drop the battery cartridge, or hit against a hard object to the battery cartridge. Such conduct may result in a fire, excessive heat, or explosion.
9. Do not use a damaged battery.
11. When disposing the battery cartridge, remove it from the tool and dispose of it in a safe place. Follow your local regulations relating to disposal of battery.
12. Use the batteries only with the products specified by Makita. Installing the batteries to non-compliant products may result in a fire, excessive heat, explosion, or leak of electrolyte.
13. If the tool is not used for a long period of time, the battery must be removed from the tool.
14. During and after use, the battery cartridge may take on heat which can cause burns or low temperature burns. Pay attention to the handling of hot battery cartridges.
15. Do not touch the terminal of the tool immediately after use as it may get hot enough to cause burns.
16. Do not allow chips, dust, or soil stuck into the terminals, holes, and grooves of the battery cartridge. It may cause heating, catching fire, burst and malfunction of the tool or battery cartridge, resulting in burns or personal injury.
17. Unless the tool supports the use near high-voltage electrical power lines, do not use the battery cartridge near a high-voltage electrical power lines. It may result in a malfunction or breakdown of the tool or battery cartridge.
18. Keep the battery away from children.

SAVE THESE INSTRUCTIONS.

⚠CAUTION: Only use genuine Makita batteries. Use of non-genuine Makita batteries, or batteries that have been altered, may result in the battery bursting causing fires, personal injury and damage. It will also void the Makita warranty for the Makita tool and charger.

Tips for maintaining maximum battery life

1. Charge the battery cartridge before completely discharged. Always stop tool operation and charge the battery cartridge when you notice less tool power.
2. Never recharge a fully charged battery cartridge. Overcharging shortens the battery service life.
3. Charge the battery cartridge with room temperature at 10 °C - 40 °C (50 °F - 104 °F). Let a hot battery cartridge cool down before charging it.
4. When not using the battery cartridge, remove it from the tool or the charger.
5. Charge the battery cartridge if you do not use it for a long period (more than six months).

PARTS DESCRIPTION

► Fig.1

1	Abrasive cut-off wheel / diamond wheel	2	Wheel guard	3	Wheel cover grip	4	Front grip
5	Lamp	6	Battery cartridge	7	Lock-off button	8	Caster
9	Shaft lock button	10	Cover	11	Cock	12	Water inlet
13	Handle	14	Switch trigger	15	Lamp button	16	Overload indicator
17	Coupling sleeve	18	Box wrench	-	-	-	-

FUNCTIONAL DESCRIPTION

CAUTION: Always be sure that the tool is switched off and the battery cartridge is removed before adjusting or checking function on the tool.

Installing or removing battery cartridge

CAUTION: Always switch off the tool before installing or removing of the battery cartridge.

CAUTION: Hold the tool and the battery cartridge firmly when installing or removing battery cartridge. Failure to hold the tool and the battery cartridge firmly may cause them to slip off your hands and result in damage to the tool and battery cartridge and a personal injury.

To install the battery cartridge, align the tongue on the battery cartridge with the groove in the housing and slip it into place. Insert it all the way until it locks in place with a little click. If you can see the red indicator on the upper side of the button, it is not locked completely.

► Fig.2: 1. Red indicator 2. Button 3. Battery cartridge

To remove the battery cartridges, lift the battery cartridge while pushing the button on the front of the cartridge.

CAUTION: Always install the battery cartridge fully until the red indicator cannot be seen. If not, it may accidentally fall out of the tool, causing injury to you or someone around you.

CAUTION: Do not install the battery cartridge forcibly. If the cartridge does not slide in easily, it is not being inserted correctly.

NOTE: The tool does not work with only one battery cartridge.

Indicating the remaining battery capacity

Press the check button on the battery cartridge to indicate the remaining battery capacity. The indicator lamps light up for a few seconds.

► Fig.3: 1. Indicator lamps 2. Check button

Indicator lamps			Remaining capacity
Lighted	Off	Blinking	
■ ■ ■ ■			75% to 100%
■ ■ ■ □			50% to 75%
■ ■ □ □			25% to 50%
■ □ □ □			0% to 25%
▣ □ □ □			Charge the battery.
■ ■ □ □			The battery may have malfunctioned.
□ □ ■ ■			

NOTE: Depending on the conditions of use and the ambient temperature, the indication may differ slightly from the actual capacity.

NOTE: The first (far left) indicator lamp will blink when the battery protection system works.

Tool / battery protection system

The tool is equipped with a tool/battery protection system. This system automatically cuts off power to the motor to extend tool and battery life. The tool will automatically stop during operation if the tool or battery is placed under one of the following conditions.

Overload protection

When the tool/battery is operated in a manner that causes it to draw an abnormally high current, the tool automatically stops. In this situation, turn the tool off and stop the application that caused the tool to become overloaded. Then turn the tool on to restart.

Overheat protection

When the tool/battery is overheated, the tool stops automatically, and the lamp blinks. In this situation, let the tool cool down before turning the tool on again.

Overdischarge protection

When the battery capacity becomes low, the tool stops automatically, and the indicator lamp of battery cartridge blinks. If the tool does not operate even when the switches are operated, remove the batteries from the tool and charge the batteries.

Protections against other causes

Protection system is also designed for other causes that could damage the tool and allows the tool to stop automatically. Take all the following steps to clear the causes, when the tool has been brought to a temporary halt or stop in operation.

1. Turn the tool off, and then turn it on again to restart.
2. Charge the battery(ies) or replace it/them with recharged battery(ies).
3. Let the tool and battery(ies) cool down.

If no improvement can be found by restoring protection system, then contact your local Makita Service Center.

NOTICE: If the tool stops due to a cause not described above, refer to the section for troubleshooting.

Overload alert

If the tool is operated with excessive load, the overload indicator will blink in red. In this situation, reduce the load on the tool. Then, the indicator stops blinking.

► **Fig.4:** 1. Overload indicator

Switch action

⚠ WARNING: Before installing the battery cartridge into the tool, always check to see that the switch trigger actuates properly and returns to the "OFF" position when released.

⚠ WARNING: NEVER defeat the lock-off button by taping down or some other means. A switch with a negated lock-off button may result in unintentional operation and serious personal injury.

⚠ WARNING: NEVER use the tool if it runs when you simply pull the switch trigger without pressing the lock-off button. A switch in need of repair may result in unintentional operation and serious personal injury. Return tool to a Makita service center for proper repairs BEFORE further usage.

To prevent the switch trigger from being accidentally pulled, a lock-off button is provided. To start the tool, depress the lock-off button and pull the switch trigger. Release the switch trigger to stop.

► **Fig.5:** 1. Switch trigger 2. Lock-off button

NOTICE: Do not pull the switch trigger hard without pressing in the lock-off button. This can cause switch breakage.

Lighting the lamp

⚠ CAUTION: Do not look in the light or see the source of light directly.

To turn on the lamp, press the lamp button. To turn off, press the lamp button again.

► **Fig.6:** 1. Lamp button 2. Lamp

NOTE: The lamp will automatically be turned off if there is no operation with the tool for one minute.

Adjusting the wheel cover

Hold the wheel cover grip and adjust the position of the wheel cover suitable for your work.

► **Fig.7:** 1. Wheel cover grip

Active feedback sensing technology

The tool electronically detects situations where the wheel may be at risk to be bound. In the situation, the tool is automatically shut off to prevent further rotation of the spindle (it does not prevent kickback).

To restart the tool, switch off the tool first, remove the cause of sudden drop in the rotation speed, and then turn the tool on.

Electric brake

Electric brake is activated after the tool is switched off. The brake does not work when the power supply is shut down, such as the battery is removed accidentally, with the switch still on.

ASSEMBLY

⚠ CAUTION: Always be sure that the tool is switched off and the battery cartridge is removed before carrying out any work on the tool.

Installing or removing abrasive cut-off wheel / diamond wheel

⚠ CAUTION: Use only the Makita wrench to install or remove the wheel.

⚠ CAUTION: When installing the wheel, be sure to tighten the bolt securely.

⚠ CAUTION: Do not press the shaft lock button when the wheel is rotating.

To remove the wheel, press the shaft lock button and rotate the wheel until the wheel cannot revolve. While the shaft lock is fully locked, turn the hex bolt counter-clockwise using the box wrench. Then remove the hex bolt, flange, wheel, ring, and flange in order.

► **Fig.8:** 1. Shaft lock button 2. Box wrench 3. Tighten 4. Loosen

► **Fig.9:** 1. Hex bolt 2. Flange 3. Ring 4. Abrasive cut-off wheel / diamond wheel 5. Arrow (rotation direction of the wheel)

To install the wheel, follow the removal procedure in reverse. BE SURE TO TIGHTEN THE HEX BOLT SECURELY.

CAUTION: Always install the wheel so that the arrow on it points in the same direction as the arrow on the wheel guard. Otherwise the wheel rotates in reverse, it may cause personal injury.

CAUTION: Only use the wheel that are marked with a speed equal or higher than the speed marked on the tool.

NOTE: When installing the wheel, be sure to attach the flanges so that the flat side of flange faces the wheel, and attach the ring that matches the inner diameter of the wheel.

► **Fig.10:** 1. Hex bolt 2. Flange 3. Ring 4. Abrasive cut-off wheel / diamond wheel

Connecting to water supply

1. Prepare a water hose.
2. Remove the nut on the coupling sleeve and pass the water hose through the nut. Insert the end of the hose into the coupling sleeve and then tighten the nut.
► **Fig.11:** 1. Water hose 2. Nut of the coupling sleeve 3. Coupling sleeve

3. Connect the water hose to the water supply.

When connecting to a water faucet, use a suitable fitting such as hose band or water tap joint.

► **Fig.12:** 1. Hose band 2. Water tap joint 3. Water hose

NOTE: The fitting depends on the shape of the faucet to which you connect. Prepare a suitable commercially-bought fitting.

NOTE: If you use a water tap joint, prepare another coupling sleeve and attach it to the other end of the hose.

NOTE: When using a water pump, follow the instructions of your water pump to connect the water hose.

4. Push the coupling sleeve into the water inlet until it locks with a click.
► **Fig.13:** 1. Coupling sleeve 2. Water inlet 3. Cock

NOTICE: Keep the cock closed until you start the cutting operation with water feeding. For how to feed water, refer to the section for the operation.

OPERATION

CAUTION: Be sure to hold the workpiece firmly down on a stable bench or table during operation.

CAUTION: Do not twist or force the tool in the cut, or the motor may be overloaded or the workpiece may break.

Cutting

CAUTION: During operation, do not bring the tool higher than your shoulder height.

► **Fig.14**

Hold the tool firmly. Grasp the handle with your right hand and the front grip with your left hand. To prevent electric shock by accidental cutting of an electric cable, always hold the front grip by the designated portion as shown in the figure.

► **Fig.15:** 1. Part to hold

Move the tool over the workpiece surface, keeping it flat and advancing smoothly until the cutting is completed. Keep your cutting line straight and your speed of advance uniform.

► **Fig.16**

NOTE: When the battery cartridge temperature is low, the tool may not work to its full capacity. At this time, for example, use the tool for a light-duty cut for a while until the battery cartridge warms up as high as room temperature. Then, the tool can work to its full capacity.

NOTE: If the cutting action of the diamond wheel begins to diminish, dress the cutting edge of the wheel using an old discarded coarse grit bench grinder wheel or concrete block. Dress by pressing lightly on the outer edge of the diamond wheel.

When feeding water during cutting

CAUTION: When using a wet-type diamond wheel, always feed water during cutting.

Connect the tool to the water supply and turn the cock in the direction of the arrow as illustrated. Adjust the position of the cock to obtain a gentle flow of water.

► **Fig.17:** 1. Cock

CAUTION: When feeding water, always keep the tool head lower than the tool body to prevent water entering into the tool mechanism. Failure to do so may cause electric shock.

► **Fig.18**

MAINTENANCE

CAUTION: Always be sure that the tool is switched off and the battery cartridge is removed before attempting to perform inspection or maintenance.

NOTICE: Never use gasoline, benzine, thinner, alcohol or the like. Discoloration, deformation or cracks may result.

To maintain product SAFETY and RELIABILITY, repairs, any other maintenance or adjustment should be performed by Makita Authorized or Factory Service Centers, always using Makita replacement parts.

Cleaning the tool

After each use, remove the battery cartridges and the wheel, and then clean dust, dirt or metal chips accumulated inside the wheel guard. Clean the tool body by wiping off dust, dirt with a dry cloth or one dipped in soapy water and wrung out. Use a dry cloth to wipe the dirt off the lens of the lamp. Be careful not to scratch the lens of lamp, or it may lower the illumination.

► **Fig.19:** 1. Wheel guard 2. Lens of the lamp

Cleaning the air vent

Regularly clean the tool's air vents or whenever the vents start to become obstructed.

► **Fig.20:** 1. Air vent

Replacing the synchro-belt

1. Remove the battery cartridges and the wheel.
2. Loosen the hex socket bolts using the tip of the box wrench, and then remove the cover.
► **Fig.21:** 1. Box wrench 2. Hex socket bolt 3. Cover
3. Push in the shaft lock button and hold it to lock the large pulley, and then turn the nut counterclockwise using the thin end of the box wrench.
► **Fig.22:** 1. Large pulley 2. Shaft lock button
4. Push in the shaft lock button and hold it to lock the large pulley, and then turn the small disc counterclockwise using the thick end of the box wrench to loosen the synchro-belt.
► **Fig.23:** 1. Shaft lock button 2. Large pulley 3. Small disc
5. Remove the belt.
6. With the grooves on the belt inside, attach one end of the belt to the small pulley, and then attach the other end of the belt to the large pulley.
► **Fig.24:** 1. Belt 2. Large pulley 3. Small pulley

7. Push in the shaft lock button and hold it to lock the large pulley, and then turn the small disc clockwise using the thick end of the box wrench to tighten the belt.
► **Fig.25:** 1. Shaft lock button 2. Large pulley

NOTE: Make sure that the small disc is in the position shown in the figure.

► **Fig.26:** 1. Small disc

8. Push in the shaft lock button and hold it to lock the large pulley, and then turn the nut clockwise using the thin end of the box wrench.
► **Fig.27:** 1. Shaft lock button

NOTE: When tightening the nut, apply 19 - 21 N•m as tightening torque.

9. Attach the cover, and then tighten the hex socket bolts using the tip of the box wrench.
► **Fig.28:** 1. Box wrench 2. Hex socket bolt 3. Cover

TROUBLESHOOTING

Before asking for repairs, conduct your own inspection first. If you find a problem that is not explained in the manual, do not attempt to dismantle the tool. Instead, ask Makita Authorized Service Centers, always using Makita replacement parts for repairs.

State of abnormality	Probable cause (malfunction)	Remedy
Motor does not run.	Battery cartridges are not installed.	Install two battery cartridges. This tool does not work with one battery cartridge.
	Battery problem (under voltage)	Recharge the battery. If recharging is not effective, replace the battery cartridge.
	The drive system does not work correctly.	Ask your local authorized service center for repair.
Motor stops running after a little use.	Battery's charge level is low.	Recharge the battery. If recharging is not effective, replace the battery cartridge.
	Overheating.	Stop using of tool to allow it to cool down.
The wheel rotation does not accelerate properly even after running the tool without load for 20 seconds.	Battery is installed improperly.	Install the battery cartridges as described in this manual.
	Battery power is dropping.	Recharge the battery cartridges. If recharging is not effective, replace the battery cartridge.
	The synchro-belt is slipping.	Replace the synchro-belt with new one.
	The drive system does not work correctly.	Ask your local authorized service center for repair.
Wheel does not rotate: ⇒ stop the machine immediately!	The synchro-belt is slipping.	Replace the synchro-belt with new one.
	Foreign object is jammed between the guard and the wheel.	Uninstall the battery cartridges and then remove the foreign object.
	The drive system does not work correctly.	Ask your local authorized service center for repair.
Abnormal vibration: ⇒ stop the machine immediately!	Improper attachment of the wheel.	Install the wheel as instructed in this manual. Tighten the bolt to secure the wheel firmly.
	The drive system does not work correctly.	Ask your local authorized service center for repair.
Cutting tool and motor cannot stop: ⇒ Remove the battery cartridge immediately!	Electric or electronic malfunction.	Remove the battery cartridges, and ask your local authorized service center for repair.
Poor cutting performance	It is time to replace the wheel.	Replace the wheel with new one.
Water leaks from the inlet.	Water is leaking from the O-ring part.	Ask your local authorized service center for repair.

OPTIONAL ACCESSORIES

CAUTION: These accessories or attachments are recommended for use with your Makita tool specified in this manual. The use of any other accessories or attachments might present a risk of injury to persons. Only use accessory or attachment for its stated purpose.

If you need any assistance for more details regarding these accessories, ask your local Makita Service Center.

- Abrasive cut-off wheel
- Diamond wheel
- Ring set
- Synchro-belt
- Coupling sleeve
- Box wrench
- Makita genuine battery and charger

NOTE: Some items in the list may be included in the tool package as standard accessories. They may differ from country to country.

SPECIFIKATIONER

Modell:	CE001G
Kapskivans diameter	355 mm
Max. skivtjocklek	5,0 mm
Max kapningsdjup	127 mm
Nominellt varvtal	5 300 min ⁻¹
Märkspänning	72 V - 80 V likström max
Max tillåtet tryck för vattentillförsel	5,0 bar
Total längd	786 mm
Nettovikt	12,3 - 12,9 kg
Skyddsgrad	IPX4

- På grund av vårt pågående program för forskning och utveckling kan dessa specifikationer ändras utan föregående meddelande.
- Specifikationer kan variera mellan olika länder.
- Vikten kan variera beroende på tillbehören, inklusive batterikassett. Den lättaste och den tyngsta kombinationen enligt EPTA-procedur 01/2014 visas i tabellen.

Tillgänglig batterikassett och laddare

Batterikassett	BL4040 / BL4050F* * : Rekommenderat batteri
Laddare	DC40RA / DC40RB / DC40RC

- Vissa av batterikassetterna och laddarna på listan ovan kanske inte finns tillgängliga i din region.

⚠ VARNING: Använd endast batterikassetter och laddare från listan ovan. Användning av andra batterikassetter och laddare kan orsaka personskada och/eller brand.

Avsedd användning

Verktyget är avsett för skärning i metallmaterial med en slipande kapskiva, och även murverk med en diamantskiva.

Buller

Den normala bullernivån för A-belastning är bestämd enligt EN60745-2-22:

Ljudtrycksnivå (L_{pA}) : 109 dB (A)

Ljudeffektnivå (L_{WA}) : 120 dB (A)

Måttolerans (K): 3 dB (A)

OBS: Det deklarerade bullervärdet har uppmätts i enlighet med standardtestmetoden och kan användas för jämförandet av en maskin med en annan.

OBS: Det deklarerade bulleremissionsvärdet kan också användas i en preliminär bedömning av exponering för vibration.

⚠ VARNING: Använd hörselskydd.

⚠ VARNING: Bulleremissionen under faktisk användning av maskinen kan skilja sig från det deklarerade värdet, beroende på hur maskinen används och särskilt vilken typ av arbetsstycke som behandlas.

⚠ VARNING: Var noga med att identifiera säkerhetsåtgärder för att skydda användaren, vilka är grundade på en uppskattning av graden av exponering för vibrationer under de faktiska användningsförhållandena, (ta, förutom avtryckartiden, med alla delar av användarcykeln i beräkningen, som till exempel tiden då maskinen är avstängd och när den går på tomgång).

Vibration

Arbetsläge: betongskärning

Vänster hand		Höger hand		Gällande standard
$a_{h,w}$ (m/s ²)	Osäkerhets-K (m/s ²)	$a_{h,w}$ (m/s ²)	Osäkerhets-K (m/s ²)	
≤ 2,5	1,5	≤ 2,5	1,5	EN60745-2-22

OBS: Det deklarerade totala vibrationsvärdet har uppmätts i enlighet med standardtestmetoden och kan användas för jämförandet av en maskin med en annan.

OBS: Det deklarerade totala vibrationsvärdet kan också användas i en preliminär bedömning av exponering för vibration.

⚠ VARNING: Vibrationsemissionen under faktisk användning av maskinen kan skilja sig från det deklarerade värdet, beroende på hur maskinen används och särskilt vilken typ av arbetsstycke som behandlas.

⚠ VARNING: Var noga med att identifiera säkerhetsåtgärder för att skydda användaren, vilka är grundade på en uppskattning av graden av exponering för vibrationer under de faktiska användningsförhållandena, (ta, förutom avtryckartiden, med alla delar av användarcykeln i beräkningen, som till exempel tiden då maskinen är avstängd och när den går på tomgång).

EG-försäkran om överensstämmelse

Gäller endast inom EU

EG-försäkran om överensstämmelse inkluderas som bilaga A till denna bruksanvisning.

SÄKERHETSVARNINGAR

Allmänna säkerhetsvarningar för maskiner

⚠ VARNING: Läs alla säkerhetsvarningar, anvisningar, illustrationer och specifikationer som medföljer det här maskinen. Underlåtenhet att följa instruktionerna kan leda till elstöt, brand och/eller allvarliga personskador.

Spara alla varningar och instruktioner för framtida referens.

Termen "maskin" som anges i varningarna hänvisar till din eldrivna maskin (sladdansluten) eller batteridrivna maskin (sladdlös).

Säkerhetsvarningar för batteridrivna glas- och kakelskärare

1. Sprängskyddet som medföljer verktyget måste vara ordentligt fäst vid verktyget och placerat för maximal säkerhet, så att minsta möjliga yta av kapskivan är öppen mot användaren. Se till att du själv och kringstående personer är ur vägen för den roterande kapskivan. Sprängskyddet skyddar användaren mot trasa skivfragment och oavsiktlig kontakt med kapskivan.
2. Verktyget får endast användas med förstärkta diamanthandskivor. Även om ett tillbehör kan fästas på verktyget garanterar detta inte säker användning.
3. Tillbehörets nominella varvtal måste vara minst lika med det maximala varvtalet som anges på verktyget. Tillbehör som används över det nominella varvtalet kan gå sönder och orsaka skador.
4. Kapskivorna får endast användas till rekommenderade arbetsuppgifter. Till exempel: Slipa inte med en kapskivas utsida. Slipande kapskivor är avsedda för periferislipning. Sidokrafter kan spränga sådana skivor.
5. Använd alltid oskadade skivflansar i rätt diameter till din kapskiva. Rätt skivflansar stöder kapskivan och minskar därigenom risken för att skivan går sönder.
6. Använd inte nedslitna förstärkta skivor för större verktyg. Skivor avsedda för större verktyg är inte lämpliga för mindre verktygs högre varvtal och kan spricka.
7. Tillbehörets ytterdiameter och tjocklek måste vara anpassad till elverktygets kapacitetsklassning. Tillbehör i olämplig storlek kan inte skyddas eller styras tillräckligt väl.
8. Styrhålet på skivor och flansar måste exakt passa elverktygets spindelstorlek. Skivor och flansar med styrhål som inte passar monteringen på elverktyget orsakar obalans, överdriven vibration och eventuellt att användaren förlorar kontrollen över verktyget.
9. Använd inte skadade skivor. Kontrollera skivorna avseende flisor och sprickor innan varje användning. Om du tappar verktyget eller kapskivan ska du kontrollera att det inte har uppstått några skador, eller montera en oskadad skiva. Efter inspektion och montering av kapskivan ska du placera dig själv och eventuella kringstående personer ur vägen för den roterande skivan och köra verktyget på full hastighet utan last i en minut. Skadade kapskivor går normalt sett sönder under den här testperioden.
10. Använd personlig skyddsutrustning. Använd visir, korgglasögon eller skyddsglasögon beroende på arbetsuppgift. Om så är lämpligt använder du dammask, hörselskydd, handskar och verkstadsförkläde som kan skydda mot avskrap eller små fragment från arbetsstycket. Ögonskyddet måste kunna stoppa flygande fragment som uppstår vid olika arbeten. Dammskyddet eller andningsskyddet måste kunna filtrera partiklar som uppstår vid olika arbeten. Lång tid i kraftigt buller kan orsaka hörselskador.

11. **Håll personer i omgivningen på säkert avstånd från arbetsområdet. Alla som befinner sig i arbetsområdet måste använda skyddsutrustning.** Fragment från arbetsstycket eller från en trasig kapskiva kan flyga iväg och orsaka skada bortom det omedelbara arbetsområdet.
12. **Håll endast verktyget i de isolerade handtagen om det finns risk för att skärverktyget kan komma i kontakt med en dold elkabel.** Om skärverktyget kommer i kontakt med en strömförande ledning blir verktygets blottlagda metalldelar strömförande och kan ge användaren en elektrisk stöt.
13. **Lägg aldrig elverktyget åt sidan förrän det har stannat helt.** Den roterande kapskivan kan gripa tag i ytan och du kan förlora kontrollen över verktyget.
14. **Kör inte verktyget samtidigt som du bär det.** Oavsiktlig kontakt med det roterande tillbehöret kan leda till att det fastnar i dina kläder och dras in mot kroppen.
15. **Rengör regelbundet verktygets ventilationsöppningar.** Motorns fläkt suger in damm i höljet och överdriven ansamling av pulveriserad metall kan orsaka elektrisk fara.
16. **Använd inte verktyget i närheten av lättantändliga material.** Gnistor kan antända dessa material.
6. **"Pressa" inte kapskivan eller utsätt den för överdrivet tryck. Försök inte att göra ett alltför stort kapdjup.** Om kapskivan överbelastas ökar belastningen och risken för att skivan vrids eller fastnar i kapet samt risken för bakåtkast eller att skivan går sönder.
7. **Om kapskivan kärvar eller om ett kap avbryts stänger du av elverktyget och håller det stilla tills skivan har stannat helt. Försök aldrig att ta bort kapskivan från kapet medan skivan rör sig, då detta kan orsaka bakåtkast.** Undersök och vidta korrigeringsåtgärder för att eliminera orsaken till att kapskivan fastnar.
8. **Starta inte om kapningen med verktyget kvar i arbetsstycket. Låt kapskivan uppnå full hastighet och för den varsamt in i spåret.** Kapskivan kan fastna, vandra uppåt eller kastas bakåt om elverktyget startas om i arbetsstycket.
9. **Stötta långa eller stora arbetsstycken för att minimera risken för att kapskivan fastnar och kastas bakåt.** Stora arbetsstycken tenderar att svikta på grund av sin egen vikt. Stöd måste placeras under arbetsstycket nära såglinjen och nära arbetsstyckets kanter på båda sidorna om kapskivan.
10. **Var extra försiktig vid genomstickssågning i en befintlig vägg eller andra dolda utrymmen.** Den utskjutande kapskivan kan kapa gas- eller vattenledning, elledningar eller föremål som kan orsaka bakåtkast.

Varningar för bakåtkast och liknande

Bakåtkast inträffar som en plötslig reaktion på en fastklämd eller fasthåkad roterande kapskiva. Fastklämning eller fasthåkning orsakar snabbstopp av den roterande kapskivan, vilket i sin tur tvingar verktyget i motsatt riktning mot skivans rörelse vid kärvningspunkten.

Om till exempel en slipskiva fastnar i eller kläms fast av arbetsstycket kan skivans kapande kant gräva sig in i materialytan vid klämpunkten, vilket leder till att skivan klättrar eller kastas tillbaka. Skivan kan antingen hoppa mot eller från användaren, beroende på skivans rörelseriktning vid klämpunkten. Slipskivorna kan även gå sönder under dessa omständigheter.

Bakåtkast beror på ovarsamhet och/eller felaktiga arbetsrutiner, och kan undvikas genom att vidta nedanstående förebyggande åtgärder.

1. **Se till att hålla verktyget i ett fast grepp och placera kroppen och din arm på ett sätt som gör att du kan stå emot kraften från bakåtkast. Använd alltid ett extrahandtag, om sådant finns, för maximal kontroll vid bakåtkast eller vridrörelsen vid start.** Användaren kan kontrollera vridrörelsen eller krafterna vid bakåtkast om rätt försiktighetsåtgärder vidtas.
2. **Placera aldrig din hand nära det roterande tillbehöret.** Tillbehöret kan kastas bakåt över din hand.
3. **Placera inte din kropp i linje med den roterande kapskivan.** Bakåtkast driver verktyget i motsatt riktning till kapskivans rörelse vid kärvningspunkten.
4. **Var extra försiktig när du bearbetar hörn, vassa kanter osv. Undvik att studsas och stöta tillbehöret.** Hörn, skarpa kanter eller studsning har en tendens att klämma det roterande tillbehöret och orsaka förlorad kontroll eller bakåtkast.
5. **Montera inte en sågkedja, ett snidarblad eller en segmenterad diamantskiva med en segmenthöjd på över 10 mm. Montera inte heller ett tandat sågblad.** Sådana blad orsakar ofta bakåtkast och förlorad kontroll.
1. **Innan du använder en segmenterad diamantskiva ska du se till att diamantskivan har en segmenthöjd på högst 10 mm, endast med negativ spänvinkel.**
2. **Såga aldrig med verktyget upp och ner i ett skruvståd. Detta är ytterst farligt och kan leda till allvarliga olyckor.**
3. **Vissa material kan innehålla giftiga kemikalier. Se till att du inte andas in damm eller får det på huden. Följ anvisningarna i leverantörens materialsäkerhetsblad.**
4. **Förvara skivorna enligt tillverkarens rekommendationer. Felaktig förvaring kan skada skivorna.**
5. **Använd alltid den skiva som lämpar sig för ditt arbete och materialet som ska kapas.**
6. **Undersök materialet som ska kapas innan du kapar det.** Om materialet innehåller explosiva eller brandfarliga ämnen, kan det orsaka explosion eller brand.
7. **Sätt inte på verktyget om ett främmande föremål har fastnat mellan skyddet och skivan.** Avinstallera i så fall batterikassetten och ta bort det främmande föremålet.
8. **Använd klämmor eller liknande när det är möjligt för att stödja arbetsstycket.**
9. **Använd alltid hörselskydd under användning.**
10. **Kapa inte trämaterial med detta verktyg.**
11. **Skivans ytterdiameter och tjocklek måste stämma med maskinens märkdata.** Skivor med fel storlek kan inte skyddas eller styras korrekt.
12. **När du använder verktyget, fatta ett stadigt grepp med båda händerna om maskinen och håll din kropp och arm i en position som gör att du kan stå emot krafterna i ett bakåtkast.**

Ytterligare säkerhetsvarningar:

13. Håll händerna och ansiktet borta från den roterande skivan.
14. Justera skivskyddet till ett läge som är lämpligt för arbetsuppgiften.
15. Var uppmärksam på var du har fötterna när du använder verktyget på lerig mark, i våta sluttningar eller hala ställen.
16. Låt inte verktyget åka ner i någon pöl.
17. Lämna inte verktyget obevakat utomhus i regn.
18. Byt inte ut batteriet i regn.
19. När verktyget tas i förvar, undvik då direkt solljus och regn, och förvara det på en plats där det inte blir varmt eller fuktigt.

SPARA DESSA ANVISNINGAR.

⚠ VARNING: GLÖM INTE att också fortsättningsvis strikt följa säkerhetsanvisningarna för maskinen även efter att du blivit van att använda den. Vid FELAKTIG HANTERING av maskinen eller om inte säkerhetsanvisningarna i denna bruksanvisning följs kan följden bli allvarliga personskador.

Viktiga säkerhetsanvisningar för batterikassetten

1. Innan batterikassetten används ska alla instruktioner och varningsmärken på (1) batteriladdaren, (2) batteriet och (3) produkten läsas.
2. Montera inte isär eller mixtra med batterikassetten. Det kan leda till brand, överdriven värme eller explosion.
3. Om drifttiden blivit avsevärt kortare ska användningen avbrytas omedelbart. Det kan uppstå överhettning, brännskador och t o m en explosion.
4. Om du får elektrolyt i ögonen ska de sköljas med rent vatten och läkare uppsöks omedelbart. Det finns risk för att synen förloras.
5. Kortslut inte batterikassetten.
 - (1) Rör inte vid polerna med något strömförande material.
 - (2) Undvik att förvara batterikassetten tillsammans med andra metallobjekt som t.ex. spikar, mynt o.s.v.
 - (3) Skydda batteriet mot vatten och regn. En batterikortslutning kan orsaka ett stort strömflöde, överhettning, brand och maskinhaveri.
6. Förvara och använd inte verktyget och batterikassetten på platser där temperaturen kan nå eller överstiga 50 °C.
7. Bränn inte upp batterikassetten även om den är svårt skadad eller helt utsliten. Batterikassetten kan explodera i öppen eld.
8. Spika inte i, krossa, kasta, tappa eller slå batterikassetten mot hårda föremål. Dyliga händelser kan leda till brand, överdriven värme eller explosion.
9. Använd inte ett skadat batteri.
10. De medföljande litiumjonbatterierna är föremål för kraven i gällande lagstiftning för farligt gods. För kommersiella transporter (av t.ex. tredje parter som speditorsfirmor) måste de särskilda transportkrav som anges på emballaget och etiketter iakttas.

För att förbereda den produkt som ska avsändas krävs att du konsulterar en expert på riskmaterial. Var också uppmärksam på att det i ditt land kan finnas ytterligare föreskrifter att följa.

Tejpa över eller maskera blottade kontakter och packa batteriet på sådant sätt att det inte kan röra sig fritt i förpackningen.

11. När batterikassetten ska kasseras måste den tas bort från maskinen och kasseras på ett säkert sätt. Följ lokala föreskrifter beträffande avfallshantering av batteriet.
12. Använd endast batterierna med de produkter som specificerats av Makita. Att använda batterierna med ej godkända produkter kan leda till brand, överdriven värme, explosion eller utläckande elektrolyt.
13. Om maskinen inte används under en lång tid måste batteriet tas bort från maskinen.
14. Under och efter användning kan batterikassetten bli het vilket kan orsaka brännskador eller lättare brännskador. Var uppmärksam på hur du hanterar varma batterikassetter.
15. Vidrör inte verktygets kontakter direkt efter användning eftersom de kan bli heta och orsaka brännskador.
16. Låt inte flisor, damm eller smuts fastna i kontaktarna, i hål eller spår i batterikassetten. Det kan leda till att verktyget eller batterikassetten värms upp, fattar eld, går sönder eller inte fungerar som de ska, vilket kan orsaka brännskador eller personskador.
17. Såvida inte verktyget stöder arbeten i närheten av högspänningsledning får batterikassetten inte användas i närheten av en högspänningsledning. Det kan leda till att verktyget eller batterikassetten går sönder eller inte fungerar korrekt.
18. Förvara batteriet utom räckhåll för barn.

SPARA DESSA ANVISNINGAR.

⚠ FÖRSIKTIGT: Använda endast äkta Makita-batterier. Användning av oäkta Makita-batterier eller batterier som har manipulerats kan leda till person- och utrustningsskador eller till att batteriet fattar eld. Det upphäver också Makitas garanti för verktyget och laddaren.

Tips för att uppnå batteriets maximala livslängd

1. Ladda batterikassetten innan den är helt urladdad. Stanna alltid maskinen och ladda batterikassetten när du märker att maskinen blir svagare.
2. Ladda aldrig en fulladdad batterikasset. Överladdning förkortar batteriets livslängd.
3. Ladda batterikassetten vid en rumstemperatur på 10 °C - 40 °C. Låt en varm batterikasset svalna innan den laddas.
4. När batterikassetten inte används ska den tas bort från verktyget eller laddaren.
5. Ladda batterikassetten om du inte har använt den på länge (mer än sex månader).

BESKRIVNING AV DELAR

► Fig.1

1	Slipande kapskiva/ diamantskiva	2	Sprängskydd	3	Handtag för skivskydd	4	Främre handtag
5	Lampa	6	Batterikasset	7	Säkerhetsknapp	8	Hjul
9	Spindellåsknapp	10	Skydd (för kilrem)	11	Kran	12	Vatteninlopp
13	Handtag	14	Avtryckare	15	Lampknapp	16	Överbelastningsindikator
17	Slangkoppling	18	Fast nyckel	-	-	-	-

FUNKTIONSBESKRIVNING

⚠ FÖRSIKTIGT: Se alltid till att maskinen är avstängd och batterikassetten borttagen innan du justerar maskinen eller kontrollerar dess funktioner.

Montera eller demontera batterikassetten

⚠ FÖRSIKTIGT: Stäng alltid av maskinen innan du monterar eller tar bort batterikassetten.

⚠ FÖRSIKTIGT: Håll stadigt i maskinen och batterikassetten när du monterar eller tar bort batterikassetten. I annat fall kan det leda till att de glider ur dina händer och orsakar skada på maskinen och batterikassetten samt personskada.

Sätt i batterikassetten genom att rikta in tungan på batterikassetten mot spåret i kåpan och skjut den på plats. Tryck in batterikassetten ordentligt hela vägen tills den låser fast med ett klick. Om du kan se den röda indikatorn på knappens ovansida är den inte låst ordentligt.

► Fig.2: 1. Röd indikator 2. Knapp 3. Batterikasset

Ta bort batterikassetterna genom att lyfta batterikassetten samtidigt som du trycker ner knappen på kassetten framsida.

⚠ FÖRSIKTIGT: Sätt alltid i batterikassetten helt tills den röda indikatorn inte längre syns. I annat fall kan den oöventat falla ur maskinen och skada dig eller någon annan.

⚠ FÖRSIKTIGT: Montera inte batterikassetten med våld. Om kassetten inte lätt glider på plats är den felinställt.

OBS: Maskinen fungerar inte med endast en batterikasset.

Indikerar kvarvarande batterikapacitet

Tryck på kontrollknappen på batterikassetten för att se kvarvarande batterikapacitet. Indikatorlamporna lyser i ett par sekunder.

► Fig.3: 1. Indikatorlampor 2. Kontrollknapp

Indikatorlampor			Kvarvarande kapacitet
Upplyst	Av	Blinkar	
■ ■ ■ ■			75% till 100%
■ ■ ■ □			50% till 75%
■ ■ □ □			25% till 50%
■ □ □ □			0% till 25%
◐ □ □ □			Ladda batteriet.
■ ■ □ □			Batteriet kan ha skadats.
□ □ ■ ■			

OBS: Beroende på användningsförhållanden och den omgivande temperaturen kan indikationen skilja sig lätt från den faktiska batterikapaciteten.

OBS: Den första (längst till vänster) indikatorlampan kommer att blinka när batteriskyddssystemet fungerar.

Skyddssystem för maskinen/batteriet

Maskinen är utrustad med ett skyddssystem för maskinen-/batteriet. Detta system bryter automatiskt strömmen till motorn för att förlänga maskinens och batteriets livslängd. Maskinen stoppar automatiskt under användningen om maskinen eller batteriet hamnar i en av följande situationer. Indikatorerna tänds i vissa situationer.

Överbelastningsskydd

Om maskinen/batteriet används på ett sätt som gör att det drar onormalt mycket ström kan maskinen stoppa automatiskt. När detta sker stänger du av maskinen och upphör med arbetet som gjorde att den överbelastades. Starta därefter upp maskinen igen.

Överhettningsskydd

När verktyget/batteriet överhettas stoppas verktyget automatiskt och lampan blinkar. Låt i så fall verktyget svalna innan du startar det igen.

Överurladdningsskydd

När batterikapaciteten är låg stoppas verktyget automatiskt och indikatorlampan på batterikassetten blinkar. Om verktyget inte fungerar trots att knapparna fungerar som de ska tar du bort batterierna från verktyget och laddar dem.

Skydd mot andra felorsaker

Skyddssystemet är också utformat för att hantera andra orsaker som skulle kunna skada verktyget, och gör att verktyget kan stanna automatiskt. Om verktyget stannat tillfälligt eller helt slutat fungera utför du följande steg för att åtgärda problemen.

1. Stäng av verktyget och slå sedan på det igen för att starta om det.
2. Ladda upp batteriet/batterierna eller byt ut det/dem mot uppladdade batterier.
3. Låt verktyget och batteriet/batterierna svalna.

Om återställning av skyddssystemet inte leder till någon förbättring, kontakta ditt lokala Makita Service Center.

OBSERVERA: Om verktyget stannar av en orsak som inte är angiven ovan, se avsnittet Felsökning.

Överbelastningsvarning

Om verktyget används med överdriven belastning kommer överbelastningsindikatorn att blinka rött. I den situationen minskar du belastningen på verktyget. Då slutar indikatorn blinka.

► **Fig.4:** 1. Överbelastningsindikator

Avtryckarens funktion

⚠ VARNING: Innan du sätter i batterikassetten i maskinen ska du kontrollera att avtryckaren fungerar och återgår till läget "OFF" när du släpper den.

⚠ VARNING: Sätt ALDRIG säkerhetsknappens funktion ur spel genom att t.ex. tejpa fast den. I annat fall kan följden bli oavsiktlig aktivering och allvarlig personskada.

⚠ VARNING: Använd ALDRIG verktyget om det startar när du trycker in avtryckaren utan att ha tryckt in säkerhetsknappen. En säkerhetsknapp som behöver repareras kan orsaka oavsiktlig aktivering och allvarlig personskada. Returnera verktyget till ett Makita-servicecenter för reparation INNAN du fortsätter att använda det.

En säkerhetsknapp förhindrar oavsiktlig aktivering av avtryckaren. Starta verktyget genom att först trycka in säkerhetsknappen och sedan avtryckaren. Släpp avtryckaren för att stanna.

► **Fig.5:** 1. Avtryckare 2. Säkerhetsknapp

OBSERVERA: Tryck inte in avtryckaren hårt utan att ha tryckt in säkerhetsknappen. Det kan göra att avtryckaren skadas.

Tända lampan

⚠ FÖRSIKTIGT: Titta inte in i ljuset eller direkt i ljuskällan.

Tryck på lampknappen för att tända lampan. Tryck en gång till på lampknappen för att släcka den.

► **Fig.6:** 1. Lampknapp 2. Lampa

OBS: Lampan slocknar automatiskt om inte verktyget används på en minut.

Justera skivskyddet

Håll i handtaget för skivskyddet och det till ett läge som är lämpligt för arbetsuppgiften.

► **Fig.7:** 1. Handtag för skivskydd

Aktiv teknik för avkänning av återkoppling

Verktyget identifierar elektroniskt situationer där skivan riskerar att fastna. I en sådan situation stängs verktyget automatiskt av för att förhindra att spindelns roterar ytterligare (emellertid förhindras inte bakåtkast). För att starta om maskinen stänger du först av den, avlägsnar orsaken till den plötsliga minskningen av rotationshastigheten, och slår sedan på maskinen igen.

Elektronisk broms

Den elektroniska bromsen aktiveras när maskinen stängs av.

Bromsen fungerar inte när strömtillförseln stängs av (t.ex. om batteriet tas ur) med avtryckaren aktiverad.

MONTERING

⚠ FÖRSIKTIGT: Se alltid till att maskinen är avstängd och batterikassetten borttagen innan du underhåller maskinen.

Installera eller ta bort slipande kapskiva/diamantskiva

⚠ FÖRSIKTIGT: Använd endast nyckel från Makita för att installera eller ta bort skivan.

⚠ FÖRSIKTIGT: När du installerar skivan ska du se till att bussen fästs ordentligt.

⚠ FÖRSIKTIGT: Tryck inte på spindellåsknappen när skivan roterar.

Ta bort skivan genom att trycka på spindellåsknappen och vrida på skivan tills den inte kan rotera. Medan spindellåset är helt låst vrider du sexkantsbulten moturs med den fasta nyckeln. Ta sedan bort sexkantsbulten, flänsen, skivan, ringen och flänsen i ordning.

► **Fig.8:** 1. Spindellåsknapp 2. Fast nyckel 3. Dra åt 4. Lossa

► **Fig.9:** 1. Sexkantsbult 2. Fläns 3. Ring 4. Slipande kapskiva/diamantskiva 5. Pil (skivans rotationsriktning)

Installera skivan genom att följa borttagningsproceduren i omvänd ordning.

SE TILL ATT SPÄNNA ÅT SEXKANTSBULTEN
ORDENTLIGT.

⚠ FÖRSIKTIGT: Installera alltid skivan så att pilen på den pekar i samma riktning som pilen på sprängskyddet. I annat fall roterar skivan bakåt och kan orsaka personskador.

⚠ FÖRSIKTIGT: Använd endast en skiva som är märkt med ett maximalt varvtal som är lika med eller högre än varvtalet som är märkt på verktyget.

OBS: Vid installation av skivan ska du montera flänsarna så att den plana sidan av flänsen är vänd mot skivan, och montera den ring som stämmer överens med skivans innerdiameter.

► **Fig.10:** 1. Sexkantsbult 2. Fläns 3. Ring 4. Slipande kapskiva/diamantskiva

Anslutning till vattentillförsel

1. Gör i ordning en vattenslang.
2. Ta bort muttern på slangkopplingen och dra vattenslangen genom muttern. För in änden på slangens slangkopplingen och vrid sedan åt muttern.

► **Fig.11:** 1. Vattenslang 2. Mutter på slangkoppling 3. Slangkoppling

3. Anslut vattenslangen till vattentillförseln.

När du ansluter till en vattenkran ska en lämplig koppling användas, t.ex. en slangklämma eller vattenkranfog.

► **Fig.12:** 1. Slangklämma 2. Vattenkranfog 3. Vattenslang

OBS: Kopplingen beror på formen på kranen du ansluter till. Gör i ordning en lämplig kommersiellt inköpt koppling.

OBS: Om du använder en vattenkranfog, gör då i ordning en annan slangkoppling och fäst den vid slangens andra ände.

OBS: När du använder en vattenpump ska du följa instruktionerna för vattenpumpen för att ansluta vattenslangen.

4. Skjut in slangkopplingen i vatteninloppet tills den låses med ett klick.

► **Fig.13:** 1. Slangkoppling 2. Vatteninlopp 3. Kran

OBSERVERA: Håll kranen stängd tills du påbörjar kapningsarbetet med vattentillförsel. Se i avsnittet om användning hur du matar fram vatten.

ANVÄNDNING

⚠ FÖRSIKTIGT: Tryck ned arbetsstycket ordentligt på en stabil bänk eller ett stabilt bord under användning.

⚠ FÖRSIKTIGT: Vrid inte eller tvinga verktyget i någon riktning vid skärningen, eftersom motorn då kan överbelastas eller arbetsstycket gå av.

Kapning

⚠ FÖRSIKTIGT: Under körning ska du inte ha verktyget högre än axelhöjd.

► **Fig.14**

Håll verktyget i ett fast grepp. Fatta tag i handtaget med höger hand och det främre handtaget med vänster hand. För att förebygga elektrisk stöt genom att elkabeln råkar skäras av, ska du alltid hålla i den angivna delen av det främre handtaget enligt bilden.

► **Fig.15:** 1. Del att hålla i

För verktyget framåt över arbetsstyckets yta. Håll verktyget plant och för det mjukt framåt tills kapningen är klar. Upprätthåll en rak skärlinje och en jämn hastighet framåt.

► **Fig.16**

OBS: När batterikassetten temperatur är låg kan det hända att verktyget inte arbetar med full kapacitet. Använd då förslagsvis verktyget för ett lätt skärningsarbete ett tag tills batterikassetten värmts upp så pass mycket som till rumstemperatur. Därefter kan verktyget arbeta med full kapacitet igen.

OBS: Om diamantskivans skärförmåga börjar avta slipar du kanten på diamantskivan med en gammal, kasserad slipskiva som är grovkornig från bänkslipmaskin eller ett betongblock. Slipa genom att lätt trycka på ytterkanten av diamantskivan.

När vatten tillförs under kapning

⚠ FÖRSIKTIGT: När diamantskiva av det våta slaget används, ska du alltid mata in vatten under kapning.

Anslut verktyget till vattentillförseln och vrid kranen i pilens riktning enligt illustrationen. Justera kranens position för att erhålla ett lugnt vattenflöde.

► **Fig.17:** 1. Kran

⚠ FÖRSIKTIGT: När du matar fram vatten ska du alltid hålla verktygets huvud lägre än dess stomme, så att vatten inte kommer in i verktygsmekanismen. Annars kan elektrisk stöt inträffa.

► **Fig.18**

UNDERHÅLL

⚠ FÖRSIKTIGT: Se alltid till att maskinen är avstängd och batterikassetten borttagen innan inspektion eller underhåll utförs.

OBSERVERA: Använd inte bensin, förtunningsmedel, alkohol eller liknande. Missfärgning, deformation eller sprickor kan uppstå.

För att upprätthålla produktens SÄKERHET och TILLFÖRLITLIGHET bör allt underhålls- och justeringsarbete utföras av ett auktoriserat Makita servicecenter och med reservdelar från Makita.

Rengöra verktyget

Efter varje användning ska du ta bort batterikassetten och skivan och därefter rensa bort damm, smuts eller metallspån som ansamlats inuti sprängskyddet. Rengör verktygsstommen genom att torka av damm och smuts med en torr trasa, eller en urvriden trasa fuktad med såpvatten. Använd en torr trasa för att torka bort smuts från lampglaset. Var försiktig så att inte lampglaset repas eftersom ljuset då kan bli svagare.

► **Fig.19:** 1. Sprängskydd 2. Lampglas

Rengöra ventilationsöppningen

Rengör verktygets ventilationsöppningar regelbundet eller så snart ventilationen försämras.

► **Fig.20:** 1. Luftventil

Utbyte av synkroniseringsremmen

1. Ta bort batterikassetterna och skivan.

2. Lossa insexbultarna med spetsen på den fasta nyckeln och ta sedan bort skyddet.

► **Fig.21:** 1. Fast nyckel 2. Insexbult 3. Skydd

3. Tryck in spindellåsknappen och håll den intryckt för att låsa det stora drivhjulet, vrid sedan muttern moturs med den smala änden av den fasta nyckeln.

► **Fig.22:** 1. Stort drivhjul 2. Spindellåsknapp

4. Tryck in spindellåsknappen och håll den intryckt för att låsa det stora drivhjulet, vrid sedan den lilla skivan moturs med den tjocka änden av den fasta nyckeln för att lossa synkroniseringsremmen.

► **Fig.23:** 1. Spindellåsknapp 2. Stort drivhjul 3. Liten skiva

5. Ta bort remmen.

6. Se till att spåren på remmen är vända inåt och sätt fast ena änden av remmen på det lilla drivhjulet, sätt sedan fast den andra änden av remmen på det stora drivhjulet.

► **Fig.24:** 1. Rem 2. Stort drivhjul 3. Litet drivhjul

7. Tryck in spindellåsknappen och håll den intryckt för att låsa det stora drivhjulet, vrid sedan den lilla skivan medurs med den tjocka änden av den fasta nyckeln för att dra åt remmen.

► **Fig.25:** 1. Spindellåsknapp 2. Stort drivhjul

OBS: Se till att den lilla skivan är i läget som visas i figuren.

► **Fig.26:** 1. Liten skiva

8. Tryck in spindellåsknappen och håll den intryckt för att låsa det stora drivhjulet, vrid sedan muttern medurs med den smala änden av den fasta nyckeln.

► **Fig.27:** 1. Spindellåsknapp

OBS: Applicera ett åtdragningsmoment på 19 - 21 N·m när du drar åt muttern.

9. Sätt tillbaka skyddet och dra sedan åt insexbultarna med spetsen på den fasta nyckeln.

► **Fig.28:** 1. Fast nyckel 2. Insexbult 3. Skydd

FELSÖKNING

Innan du ber om reparation ska du först utföra en egen kontroll. Om du hittar ett problem som inte finns förklarat i bruksanvisningen ska du inte försöka att ta isär maskinen. Fråga istället ett auktoriserad servicecenter för Makita, och använd alltid reservdelar från Makita för reparationer.

Feltillstånd	Trolig orsak (felsfunktion)	Atgärd
Motorn går inte.	Batterikassetterna är inte installerade.	Installera två batterikassetter. Detta verktyg fungerar inte med en batterikassett.
	Batteriproblem (underspänning)	Ladda om batteriet. Om laddning inte hjälper byter du ut batterikassetten.
	Drivsytstet fungerar inte som det ska.	Lämna in till ditt lokala auktoriserade servicecenter för reparation.
Motorn stannar efter en kort stunds användning.	Batterinivån är låg.	Ladda om batteriet. Om laddning inte hjälper byter du ut batterikassetten.
	Överhettning.	Sluta använda maskinen och låt den svalna.
Skivrotationen accelererar inte ordentligt ens efter att verktyget körts utan belastning i 20 sekunder.	Batteriet är felaktigt isatt.	Sätt i batterikassetterna enligt anvisningarna i denna bruksanvisning.
	Batterinivån sjunker.	Ladda batterikassetterna på nytt. Om uppladdningen inte hjälper, byt ut batterikassetten.
	Synkroniseringsremmen slirar.	Byt ut synkroniseringsremmen mot en ny.
	Drivsytstet fungerar inte som det ska.	Lämna in till ditt lokala auktoriserade servicecenter för reparation.
Skivan roterar inte: ⇒ Stoppa maskinen omedelbart!	Synkroniseringsremmen slirar.	Byt ut synkroniseringsremmen mot en ny.
	Främmande föremål har fastnat mellan skyddet och skivan.	Ta ut batterikassetterna och ta sedan bort det främmande föremålet.
	Drivsytstet fungerar inte som det ska.	Lämna in till ditt lokala auktoriserade servicecenter för reparation.
Onormal vibration: ⇒ Stoppa maskinen omedelbart!	Felaktigt fastsättning av skivan.	Installera skivan enligt anvisningarna i denna bruksanvisning. Dra åt bulten för att låsa fast skivan ordentligt.
	Drivsytstet fungerar inte som det ska.	Lämna in till ditt lokala auktoriserade servicecenter för reparation.
Trimmerverktyget och motorn stannar inte: ⇒ Ta bort batterikassetten genast!	Elektriska eller elektroniska fel.	Ta bort batterikassetterna och lämna in till ditt lokala auktoriserade servicecenter för reparation.
Dåligt kapresultat	Det är dags att byta skivan.	Byt ut skivan mot en ny.
Vatten läcker från inloppet.	Vatten läcker från O-ringdelen.	Lämna in till ditt lokala auktoriserade servicecenter för reparation.

VALFRIA TILLBEHÖR

⚠ FÖRSIKTIGT: Följande tillbehör eller tillsatser rekommenderas för användning med den Makita-maskin som denna bruksanvisning avser. Om andra tillbehör eller tillsatser används kan det uppstå risk för personskador. Använd endast tillbehören eller tillsatserna för de syften de är avsedda för.

Kontakta ditt lokala Makita servicecenter om du behöver ytterligare information om dessa tillbehör.

- Slipande kapskiva
- Diamantskiva
- Ringsats
- Synkroniseringsrem
- Slangkoppling
- Fast nyckel
- Makitas originalbatteri och -laddare

OBS: Några av tillbehören i listan kan vara inkluderade i maskinpaketet som standardtillbehör. De kan variera mellan olika länder.

TEKNISKE DATA

Modell:	CE001G
Skivediameter	355 mm
Maks. skivetykkelse	5,0 mm
Maks. skjæredybde	127 mm
Nominell hastighet	5 300 min ⁻¹
Nominell spenning	DC 72 V - 80 V maks
Maks. tillatt vanninnløpstrykk	5,0 bar
Total lengde	786 mm
Nettvekt	12,3-12,9 kg
Beskyttelsesgrad	IPX4

- På grunn av vårt kontinuerlige forsknings- og utviklingsprogram kan spesifikasjonene som oppgis i dette dokumentet endres uten varsel.
- Spesifikasjonene kan variere fra land til land.
- Vekten kan variere avhengig av tilbehøret/tilbehørene, inkludert batteriet. Den letteste og tyngste kombinasjonen, i henhold til EPTA-prosedyre 01/2014, vises i tabellen.

Passende batteri og lader

Batteriinnsett	BL4040 / BL4050F* * : Anbefalt batteri
Lader	DC40RA / DC40RB / DC40RC

- Noen av batteriene og laderne som er opplistet ovenfor er kanskje ikke tilgjengelige, avhengig av hvor du bor.

⚠ ADVARSEL: Bruk kun de batteriene og laderne som er opplistet ovenfor. Bruk av andre batterier og ladere kan føre til personskader og/eller brann.

Riktig bruk

Verktøyet er beregnet på skjæring av metallmaterialer med en kappeskive med slipeeffekt samt murematerialer med en diamantskive.

Støy

Typisk A-vektet lydtryknivå er bestemt i henhold til EN60745-2-22:

Lydtryknivå (L_{pA}) : 109 dB (A)

Lydeffektnivå (L_{WA}) : 120 dB (A)

Usikkerhet (K): 3 dB (A)

MERK: Den/de oppgitte verdien(e) for genererte vibrasjoner har blitt målt i henhold til standard testmetoder, og kan bli brukt til å sammenligne ett verktøy med et annet.

MERK: Den/de angitte verdien(e) for de genererte vibrasjonene kan også brukes til en foreløpig vurdering av eksponeringen.

⚠ ADVARSEL: Bruk hørselsvern.

⚠ ADVARSEL: De genererte vibrasjonene ved faktisk bruk av elektroverktøyet kan avvike fra den/de angitte vibrasjonsverdien(e), avhengig av hvordan verktøyet brukes.

⚠ ADVARSEL: Sørg for å identifisere vernetiltak for å beskytte operatøren, som er basert på et estimat av eksponeringen under de faktiske bruksforholdene (idet det tas hensyn til alle deler av driftssyklusen, dvs. hvor lenge verktøyet er slått av, hvor lenge det går på tomgang og hvor lenge startbryteren faktisk holdes trykket).

Vibrasjoner

Arbeidsmodus: Kapping av betong

Venstre hånd		Høyre hånd		Gjeldende standard
$a_{h,w}$ (m/s ²)	Usikkerhet K (m/s ²)	$a_{h,w}$ (m/s ²)	Usikkerhet K (m/s ²)	
≤ 2,5	1,5	≤ 2,5	1,5	EN60745-2-22

MERK: Den/de oppgitte verdien(e) for totalt genererte vibrasjoner har blitt målt i henhold til standard testmetoder, og kan bli brukt til å sammenligne ett verktøy med et annet.

MERK: Den/de angitte verdien(e) for totalt genererte vibrasjoner kan også brukes til en foreløpig vurdering av eksponeringen.

⚠ ADVARSEL: De genererte vibrasjonene ved faktisk bruk av elektroverktøyet kan avvike fra den/de angitte vibrasjonsverdien(e), avhengig av hvordan verktøyet brukes og spesielt i forhold til arbeidsstykket som blir behandlet.

⚠ ADVARSEL: Sørg for å identifisere vernetiltak for å beskytte operatøren, som er basert på et estimat av eksponeringen under de faktiske bruksforholdene (idet det tas hensyn til alle deler av driftssyklusen, dvs. hvor lenge verktøyet er slått av, hvor lenge det går på tomgang og hvor lenge startbryteren faktisk holdes trykket).

EFs samsvarserklæring

Gjelder kun for land i Europa

EFs samsvarserklæring er lagt til som vedlegg A i denne bruksanvisningen.

SIKKERHETSADVARSEL

Generelle advarsler angående sikkerhet for elektroverktøy

⚠ ADVARSEL: Les alle sikkerhetsadvarsler, instruksjoner, illustrasjoner og spesifikasjoner som følger med dette elektroverktøyet. Hvis ikke alle instruksjonene nedenfor følges, kan det forekomme elektrisk støt, brann og/eller alvorlig skade.

Oppbevar alle advarsler og instruksjoner for senere bruk.

Uttrykket «elektrisk verktøy» i advarslene refererer både til elektriske verktøy (med ledning) tilkoblet strømmettet, og batteridrevne verktøy (uten ledning).

Sikkerhetsadvarsler for batteridrevet kutter

- Den medfølgende verktøybeskyttelsen må festes skikkelig på det elektriske verktøyet og plasseres for maksimal sikkerhet, slik at en så liten del som mulig av skiven er eksponert mot operatøren. Still deg selv og andre vekk fra den roterende skivens plan. Vernet bidrar til å beskytte brukeren mot brukne skivefragmenter og utilsiktet kontakt med skiven.
- Bruk bare sammenføyde, forsterkede kappeskiver eller diamantskiver med dette elektroverktøyet. Selv om et tilbehør kan monteres på verktøyet, betyr ikke dette at det er trygt å bruke.
- Angitt hastighet for tilbehøret må være minst like høy som største angitte hastighet på elektroverktøyet. Tilbehør som kjøres med større hastighet enn det som er angitt, kan gå i stykker og slynges ut.
- Skiver må bare brukes slik det er anbefalt. For eksempel: Ikke slip med siden av en kappeskive. Kappeskiver for pussing er bare beregnet for periferisk pussing. Sidekrefter mot disse skivene kan knuse dem.
- Bruk alltid uskadede skiveflenser med riktig diameter for skiven som er valgt. Riktige skiveflenser støtter skiven og reduserer muligheten for skivebrudd.
- Ikke bruk utslitte forsterkede skiver fra større elektroverktøy. Skiver som er beregnet på større elektroverktøy, er ikke egnet for den høyere hastigheten til mindre verktøy, og kan sprekke.
- Den ytre diameteren og tykkelsen på tilbehøret må ligge innenfor den angitte kapasiteten for elektroverktøyet. Tilbehør i feil størrelse kan ikke sikres eller kontrolleres fullgodt.
- Akselstørrelsen på skiver og flenser må være riktig tilpasset spindelen på verktøyet. Skiver og flenser med akselhull som ikke korresponderer med monteringsmekanismen på verktøyet, vil komme ut av balanse, vibrere kraftig og kanskje føre til tap av kontroll.
- Ikke bruk skiver som er skadet. Undersøk skivene med hensyn til skår og sprekker før hver bruk. Hvis elektroverktøyet eller skiven faller i bakken, må du undersøke om det oppstod skade eller montere en uskadd skive. Etter at skiven er undersøkt og montert, må du plassere deg selv og andre utenfor skivens rotasjonsplan og kjøre verktøyet på maksimal hastighet uten belastning i ett minutt. Skiver som er skadet, vil vanligvis gå i stykker i løpet av denne testen.
- Bruk personlig verneutstyr. Avhengig av bruksrådet, må du bruke visir eller vernebriller. Der det er aktuelt, må du bruke støvmaske, hørselvern, hansker og forkle som kan stoppe små slipefragmenter eller deler fra arbeidsemnet. Øyevernet må kunne stoppe flygende biter som oppstår under ulike operasjoner. Støvmasken eller åndedrettsvernet må kunne filtrere ut partikler som oppstår under arbeidet. Kraftig lyd over lengre tid kan forårsake redusert hørsel.

11. **Hold andre på trygg avstand fra arbeidsområdet. Alle som beveger seg inn i arbeidsområdet må bruke personlig verneutstyr.** Fragmenter fra arbeidsemnet eller en skadet skive kan fly av sted og forårsake personskade utenfor det umiddelbare bruksstedet.
12. **Hold maskinen kun i det isolerte håndtaket når kutte tilbehøret kan komme i kontakt med skjulte ledninger under arbeidet.** Hvis kutteutstyret kommer i kontakt med «strømførende» ledninger, kan ikke isolerte metalldele i maskinen bli «strømførende» og kunne gi brukeren elektrisk støt.
13. **Ikke legg ned elektroverktøyet før tilbehøret har stoppet helt.** Den roterende skiven kan ta tak i underlaget og trekke verktøyet utenfor din kontroll.
14. **Ikke kjør elektroverktøyet når du bærer det langs siden.** Utilsiktet kontakt med roterende tilbehør kan føre til at det fester i klærne og trekkes inn mot kroppen.
15. **Rengjør verktøyets luftventiler regelmessig.** Motorens vifte trekker støv inn i verktøyhuset og mye oppsamlet metallstøv kan medføre elektrisk fare.
16. **Ikke bruk elektroverktøyet nær brennbare materialer.** Gnister kan antenne slike materialer.
5. **Ikke monter et sagkjedeblad, treskjæringsblad, segmentert diamantskive med periferisk avstand over 10 mm eller tannet sagblad.** Slike blader gir ofte tilbakeslag og mangel på kontroll.
6. **Ikke «klem fast» skiven eller legg sterkt press på den. Ikke forsøk å kutte svært dypt.** For mye press på skiven øker belastningen og sjansen for at skiven vrir eller setter seg fast under kutting, samt at det øker sjansen for tilbakeslag eller at skiven blir ødelagt.
7. **Når skiven fastklemmes eller du ønsker å avbryte kappingen, må du slå av verktøyet og holde det i ro til skiven har stoppet helt. Forsøk aldri å fjerne skiven fra kuttet mens den er i bevegelse, da dette kan forårsake tilbakeslag.** Undersøk årsaken til at skiven setter seg fast, og rett opp feilen.
8. **Ikke start kappingen på nytt mens skiven står i arbeidsemnet. La skiven nå full hastighet, og før den så ned i kuttet på nytt.** Skiven kan sette seg fast, bli trukket oppover eller gi tilbakeslag hvis det elektriske verktøyet startes på nytt i arbeidsemnet.
9. **Støtt opp plater eller store arbeidsemner for å minimere muligheten for fastklemming eller tilbakeslag.** Store arbeidsemner har en tendens til å synke under sin egen vekt. Det må plasseres støtter under arbeidsemnet nært kuttlinjen og nært kanten på arbeidsemnet på begge sider av skiven.
10. **Vær ekstra forsiktig når du lager «hull» i eksisterende vegger eller andre områder uten innsyn.** Skiven som stikker ut, kan kutte gass- eller vannrør, elektriske ledninger eller objekter som kan forårsake tilbakeslag.

Tilbakeslag og relaterte advarsler

Tilbakeslag er en plutselig reaksjon på en roterende skive som er klemt eller heftet fast. Fastklemming eller hekking gjør at den roterende skiven plutselig stopper, noe som i sin tur gjør at det ukontrollerbare elektroverktøyet kastes i motsatt retning av skivens rotasjonsretning ved fastklemmingspunktet.

Hvis for eksempel en slipeskive klemmes eller hektes fast i arbeidsemnet, kan kanten på skiven som er fastklemt, grave seg inn i overflaten på materialet og føre til at skiven graver seg ut eller slås ut. Skiven kan enten sprette mot eller vekk fra operatøren, avhengig av rotasjonsretningen på skiven når den klemmes fast. Slipeskiver kan også knekke under slike forhold. Tilbakeslag er et resultat av at elektroverktøyet misbrukes og/eller brukes på feil måte eller under feil forhold, og kan unngås ved å ta de nødvendige forholdsreglene som beskrives under.

1. **Hold godt fast i verktøyet og plasser kroppen og armen din slik at du kan motstå kreftene i et tilbakeslag. Bruk alltid hjelpehåndtak når det følger med, for å få best mulig kontroll over tilbakeslag eller dreiemomentreaksjonen ved oppstart.** Operatøren kan kontrollere dreiemomentreaksjonen eller tilbakeslagskreftene hvis de riktige forholdsreglene tas.
2. **Plasser aldri hånden nær det roterende tilbehøret.** Tilbehøret kan slå tilbake over hånden.
3. **Ikke plasser kroppen på linje med den roterende skiven.** Tilbakeslag gjør at verktøyet slås i motsatt retning av skivens bevegelse når den blir sittende fast.
4. **Vær spesielt forsiktig under arbeid med hjørner, skarpe kanter osv. Unngå å la tilbehøret sprette eller hugge.** Hjørner, skarpe kanter eller støt har en tendens til å klemme fast det roterende tilbehøret og forårsake tap av kontrollen eller tilbakeslag.
1. **Før bruk av en segmentert diamantslipeskive må du kontrollere at diamantslipeskiven har en periferisk åpning på mindre enn 10 mm mellom segmentene, kun med en negativ flisvinkel.**
2. **Forsøk aldri å skjære mens maskinen holdes opp ned i en skrustikke. Dette er ekstremt farlig og kan forårsake alvorlige ulykker.**
3. **Enkelte materialer inneholder kjemikalier som kan være giftige. Treff tiltak for å hindre hudkontakt og innånding av støv. Følg leverandørens sikkerhetsanvisninger.**
4. **Oppbevar skivene i henhold til produsentens anbefalinger. Hvis skivene oppbevares på feil måte, kan de bli skadet.**
5. **Bruk alltid skiven som er egnet for arbeidet du skal utføre og materialet som skal skjæres.**
6. **Undersøk materialet som skal skjæres før du skjærer det.** Hvis materialet inneholder eksplosive eller brennbare stoffer, kan det forårsake eksplosjon eller brann.
7. **Ikke slå på verktøyet hvis et fremmedlegeme er kilt mellom vernet og skiven.** I slike tilfeller tar du bort batteriet og fjerner fremmedlegemet.
8. **Bruk klemmer eller lignende for å holde arbeidsstykket på plass så sant det er mulig.**
9. **Bruk alltid hørselsvern når du bruker verktøyet.**
10. **Ikke skjær trematerialer med dette verktøyet.**

11. Den utvendige diameteren og tykkelsen på skiven må ligge innenfor den oppgitte kapasiteten for elektroverktøyet. Skiver i feil størrelse kan ikke bli tilstrekkelig sikret eller kontrollert.
12. Hold verktøyet godt fast med begge hender og plasser kroppen og armene dine for å motstå kreftene ved tilbakeslag når du bruker elektroverktøyet.
13. Hold hendene og ansiktet unna den roterende skiven.
14. Juster skivedekselet til en posisjon som egner seg for arbeidet du skal utføre.
15. Når du bruker verktøyet på gjørmete underlag, i våte bakker eller på glatte steder, må du passe på at du ikke mister fotfestet.
16. Ikke senk Verktøy ned i en vann.
17. Ikke etterlat verktøyet uten oppsyn utendørs når det regner.
18. Ikke skift ut batteriet når det regner.
19. Ved oppbevaring av verktøyet må du unngå direkte sollys og regn, og den skal oppbevares på et sted som ikke blir varmt eller fuktig.
6. Ikke oppbevar og bruk verktøyet og batteriet på steder hvor temperaturen kan komme opp i eller overskride 50 °C.
7. Ikke sett fyr på batteriet, ikke engang om det er sterkt skadet eller helt utslitt. Batteriet kan eksplodere hvis det begynner å brenne.
8. Du må ikke spikre, skjære, klemme, kaste eller miste batteriet, og heller ikke slå en hard gjenstand mot batteriet. En slik oppførsel kan føre til brann, overoppheting eller eksplosjon.
9. Ikke bruk batterier som er skadet.
10. Lithium-ion-batteriene som medfølger er gjenstand for krav om spesialavfall. For kommersiell transport, f.eks av tredjeparter eller speditorer, må spesielle krav om pakking og merking følges. For varen blir sendt, må du forhøre deg med en ekspert på farlig materiale. Ta også hensyn til muligheten for mer detaljerte nasjonale bestemmelser. Bruk teip eller maskeringsteip for å skjule åpne kontakter og pakk inn batteriet på en slik måte at den ikke kan bevege seg rundt i emballasjen.

TA VARE PÅ DISSE INSTRUKSENE.

⚠ ADVARSEL: IKKE LA hensynet til hva som er "behagelig" eller det faktum at du kjenner produktet godt (etter mange gangers bruk) gjøre deg mindre oppmerksom på sikkerhetsreglene for bruken av det aktuelle produktet. Ved MISBRUK eller hvis ikke sikkerhetsreglene i denne bruksanvisningen følges, kan det oppstå alvorlig personskade.

Viktige sikkerhetsanvisninger for batteriinnsetts

1. Før du begynner å bruke batteriet, må du lese alle anvisninger og forsiktighetsregler på (1) batteriladeren, (2) batteriet og (3) det produktet batteriet skal brukes i.
2. Ikke demonter eller tukle batteriet. Det kan føre til brann, overoppheting eller eksplosjon.
3. Hvis driftstiden er blitt vesentlig kortere, må du omgående slutte å bruke maskinen. Hvis ikke kan resultatet bli overoppheting, mulige forbrenninger eller til og med en eksplosjon.
4. Hvis du får elektrolytt i øynene, må du skylle dem med store mengder rennende vann og oppsøke lege med én gang. Denne typen uhell kan føre til varig blindhet.
5. Ikke kortslutt batteriet:
 - (1) De kan være ekstremt varme og du kan brenne deg.
 - (2) Ikke lagre batteriet i samme beholder som andre metallgjenstander, som for eksempel spiker, mynter osv.
 - (3) Ikke la batteriet komme i kontakt med vann eller regn.
11. Når du kasserer batteriinnsettsen, må du ta den ut av verktøyet og avhende den på et sikkert sted. Følg lokale bestemmelser for avhending av batterier.
12. Bruk batteriene kun med produkter spesifisert av Makita. Montere batteriene i produkter som ikke er konforme kan føre til brann, overheting eller elektrolyttlekkasje.
13. Hvis verktøyet ikke skal brukes over en lengre periode, må batteriet tas ut av verktøyet.
14. Under og etter bruk kan batteriet bli varmt og før til brannskader. Vær forsiktig med håndteringen av varme batterier.
15. Ikke berører terminalen på verktøyet rett etter bruk, da den kan bli varm og forårsake brannskader.
16. Ikke la spon, støv eller jord sette seg fast i terminalene, hullene og sporene i batteriet. Det kan føre til at batteriet eller verktøyet blir overopphetet, begynner å brenne, sprekker eller ikke fungerer som det skal, og forårsake brannskader eller personskade.
17. Med mindre verktøyet støtter bruk nær en høyspent strømlinje, skal ikke batteriet brukes nær en høyspent strømlinje. Det kan føre til en funksjonsfeil eller at verktøyet eller batteriet slutter å fungere.
18. Oppbevar batteriet utilgjengelig for barn.

TA VARE PÅ DISSE INSTRUKSENE.

⚠ FORSIKTIG: Bruk kun originale Makita-batterier. Bruk av batterier som har endret seg, eller som ikke er originale Makita-batterier, kan føre til at batteriet sprekker og forårsaker brann, personskader og andre skader. Det vil også ugyldiggjøre garantien for Makita-verktøyet og -laderen.

En kortslutning av batteriet kan føre til et kraftig strømstøt, overoppheting, mulige forbrenninger og til og med til at batteriet går i stykker.

Tips for å opprettholde maksimal batterilevetid

1. Lad batteriinnsetsen før den er helt utladet. Stopp alltid driften av verktøyet og lad batteriinnsetsen når du merker at effekten reduseres.
2. Lad aldri en batteriinnsets som er fulladet. Overopplading forkorter batteriets levetid.
3. Lad batteriet i romtemperatur ved 10 °C - 40 °C. Et varmt batteri må kjøles ned før lading.
4. Når batteriet ikke er bruk, skal det tas ut av verktøyet eller laderen.
5. Lad batteriet hvis det ikke har vært brukt på en lang stund (over seks måneder).

DELEBESKRIVELSE

► Fig.1

1	Kappeskive med slipeeffekt/diamantskive	2	Beskyttelseskappe	3	Skivedekselgrep	4	Fremre grep
5	Lampe	6	Batteriinnsets	7	AV-sperreknapp	8	Hjul
9	Spindellåsknapp	10	Deksel (til kilereim)	11	Kran	12	Vanninnløp
13	Håndtak	14	Startbryter	15	Lampeknapp	16	Overbelastningsindikator
17	Koplingshylster	18	Stjernenøkkel	-	-	-	-

FUNKSJONS BESKRIVELSE

⚠FORSIKTIG: Forviss deg alltid om at maskinen er slått av og batteriet tatt ut før du justerer maskinen eller kontrollerer dens mekaniske funksjoner.

Sette inn eller ta ut batteri

⚠FORSIKTIG: Slå alltid av verktøyet før du setter inn eller fjerner batteriet.

⚠FORSIKTIG: Hold verktøyet og batteripatronen i et fast grep når du monterer eller fjerner batteripatronen. Hvis du ikke holder verktøyet og batteripatronen godt fast, kan du miste grepet, og dette kan føre til skader på verktøyet og batteripatronen samt personskader.

Når du skal sette inn batteriet, må du plassere tungen på batteriet på linje med sporet i huset og skyve batteriet på plass. Skyv det helt inn til det går i inngrep med et lite klikk. Hvis du kan se den røde indikatoren på oversiden av knappen, er det ikke fullstendig låst.

► Fig.2: 1. Rød indikator 2. Knapp 3. Batteriinnsets

Når du skal ta ut batteriene, må du løfte batteriet mens du trykker på knappen foran på batteriet.

⚠FORSIKTIG: Batteriet må alltid settes helt inn, så langt at den røde anviseren ikke lenger er synlig. Hvis dette ikke gjøres, kan batteriet komme til å falle ut av maskinen og skade deg eller andre som oppholder seg i nærheten.

⚠FORSIKTIG: Ikke bruk makt når du setter i batteriet. Hvis batteriet ikke glir lett inn, er det fordi det ikke settes inn på riktig måte.

MERK: Verktøyet fungerer ikke med kun ett batteri.

Indikere gjenværende batterikapasitet

Trykk på sjekk-knappen på batteriet for vise gjenværende batterikapasitet. Indikatorlampene lyser i et par sekunder.

► Fig.3: 1. Indikatorlamper 2. Kontrollknapp

Indikatorlamper			Gjenværende batterinivå
Tent	Av	Blinker	
■	■	■	75 % til 100 %
■	■	□	50 % til 75 %
■	□	□	25 % til 50 %
■	□	□	0 % til 25 %
◐	□	□	Lad batteriet.
■	■	□	Batteriet kan ha en feil.
□	□	■	

MERK: Det angitte nivået kan avvike noe fra den faktiske kapasiteten alt etter bruksforholdene og den omgivende temperaturen.

MERK: Den første (helt til venstre) indikatorlampen vil blinke når batterivernsystemet fungerer.

Batterivernsystem for verktøy/ batteri

Verktøyet er utstyrt med et batterivernsystem for verktøy/batteri. Dette systemet slår automatisk av strømmen til motoren for å forlenge verktøyets og batteriets levetid. Verktøyet stopper automatisk under drift hvis verktøyet eller batteriet utsettes for en av følgende tilstander. Indikatorene lyser i noen tilfeller.

Overlastsikring

Når verktøyet/batteriet brukes på en måte som gjør at det bruker unormalt mye strøm, vil verktøyet stoppe automatisk. Hvis dette skjer, må du slå av verktøyet og avslutte bruken som forårsaket at verktøyet ble overbelastet. Slå deretter verktøyet på for å starte det igjen.

Overopphetingsvern

Når verktøyet/batteriet er overopphetet, stanser verktøyet automatisk, og lampen blinker. I denne situasjonen må du la verktøyet kjøle seg ned før du slår verktøyet på igjen.

Overutladingsvern

Når batterikapasiteten blir lav, stopper verktøyet automatisk og indikatorlampen på batteriet blinker. Hvis verktøyet ikke går selv om bryterne aktiveres, må du ta batteriene ut av verktøyet og lade batteriene.

Vern mot andre årsaker

Vernesystemet er også laget for beskyttelse mot andre ting som kan skade verktøyet og gjøre at det stanser automatisk. Gå gjennom alle de følgende forholdsreglene for å fjerne årsakene til at verktøyet har stanset midlertidig mens det er i drift.

1. Slå av verktøyet, og slå det deretter på igjen for å starte det på nytt.
2. Lad opp batteriene eller skift dem ut med oppladde batterier.
3. La både verktøyet og batteriene avkjøles.

Hvis det ikke blir noen forbedring ved at verne-systemet gjenopprettes, tar du kontakt med det lokale Makita-servicesenteret.

OBS: Hvis verktøyet stopper av en årsak som ikke er beskrevet over, kan du se avsnittet om feilsøking.

Varsel om overbelastning

Hvis verktøyet påføres for høy belastning, begynner overbelastningsindikatoren å blinke rødt. Hvis dette skjer, må du redusere belastningen på verktøyet. Da slutter indikatoren å blinke.

► **Fig.4:** 1. Overbelastningsindikator

Bryterfunksjon

⚠ADVARSEL: Før du setter batteriet inn i maskinen, må du alltid kontrollere at startbryteren aktiverer maskinen på riktig måte og går tilbake til «AV»-stilling når den slippes.

⚠ADVARSEL: ALDRI sett AV-sperreknappen ut av funksjon ved for eksempel å teipe over den. En defekt AV-sperreknapp kan føre til at verktøyet aktiveres utilsikket, og alvorlige personskader kan oppstå.

⚠ADVARSEL: Verktøyet må ALDRI brukes hvis det begynner å gå bare du drar i startbryteren, uten at du må trykke på AV-sperreknappen også. En skadet/defekt bryter kan føre til at verktøyet aktiveres utilsikket, og alvorlige personskader kan oppstå. Returner verktøyet til et Makita-servicesenter for å få det reparert FØR videre bruk.

For å unngå at noen drar i startbryteren ved en feiltakelse er verktøyet utstyrt med en AV-sperreknapp. Trykk på AV-sperreknappen og dra i startbryteren for å starte verktøyet. Slipp startbryteren for å stanse verktøyet.

► **Fig.5:** 1. Startbryter 2. AV-sperreknapp

OBS: Ikke dra hardt i startbryteren uten å trykke inn AV-sperreknappen. Det kan føre til at bryteren knekker.

Tenne lampen

⚠FORSIKTIG: Ikke se inn i lyset eller se direkte på lyskilden.

Slå på lampen ved å trykke på lampeknappen. Slå av lampen ved å trykke på lampeknappen igjen.

► **Fig.6:** 1. Lampeknapp 2. Lampe

MERK: Lampen slår seg av automatisk hvis det går ett minutt uten at verktøyet blir brukt.

Justere skivedekselet

Hold i skivedekselgrepet og juster posisjonen til skivedekselet etter hva som egner seg for arbeidet du skal utføre.

► **Fig.7:** 1. Skivedekselgrep

Aktiv tilbakeslagfølende teknologi

Verktøyet vil elektronisk oppdage situasjoner hvor skiven risikerer å sette seg fast. I dette tilfellet vil verktøyet automatisk slå seg av for å unngå at spindelen fortsetter å rotere (det forhindrer ikke tilbakeslag).

For å starte verktøyet på nytt, må du først slå av verktøyet, fjerne årsaken til det plutselige rotasjonsfallet og deretter slå på verktøyet igjen.

Elektrisk brems

Den elektriske bremsen aktiveres når verktøyet slås av. Bremsen fungerer ikke dersom strømtilførselen kobles ut, ved for eksempel at batteriet tas ut ved en feil, med bryteren på.

MONTERING

⚠FORSIKTIG: Forviss deg alltid om at maskinen er slått av og batteriet tatt ut før du utfører noe arbeid på maskinen.

Montere eller fjerne kappeskive med slipeeffekt/diamantskive

⚠FORSIKTIG: Bruk bare Makita-nøkkelen til å montere eller demontere skiven.

⚠FORSIKTIG: Når du monterer skiven, må du sørge for å stramme bolten godt.

⚠FORSIKTIG: Ikke trykk på spindellåsknappen mens skiven roterer.

Demonter skiven ved å trykke på spindellåsknappen og rotere skiven til skiven ikke kan roteres mer. Mens spindellåsen er helt låst, dreier du sekskantbolten mot klokken ved hjelp av stjernenøkkelen. Ta deretter av sekskantbolten, flensen, skiven, ringen og flensen i den rekkefølgen.

► **Fig.8:** 1. Spindellåsknapp 2. Stjernenøkkel
3. Stramme 4. Løsne

► **Fig.9:** 1. Sekskantskrue 2. Flens 3. Ring
4. Kappeskive med slipeeffekt/diamantskive
5. Pil (skivens rotasjonsretning)

Monter bladet ved å følge fremgangsmåten for demontering i motsatt rekkefølge.

HUSK Å STRAMM SEKSKANTBOLTEN GODT.

⚠FORSIKTIG: Monter alltid skiven på en slik måte at pilen på den peker i samme retning som pilen på beskyttelseskappen. Ellers vil skiven rotere i revers, som kan føre til personskaade.

⚠FORSIKTIG: Du må bare bruke skiven som er merket med en hastighet som er lik eller høyere enn hastigheten som er avmerket på verktøyet.

MERK: Når du monterer skiven, må du passe på å sette på flensene slik at den flate siden av flensen vender mot skiven, og sette på ringen som samsvarer med skivens innvendige diameter.

► **Fig.10:** 1. Sekskantbolt 2. Flens 3. Ring
4. Kappeskive med slipeeffekt/diamantskive

Koble til vanntilførsel

1. Klargjør en vannslange.
2. Fjern mutteren på koplingsshylsteret, og før vannslangen gjennom mutteren. Før enden av slangen inn i koplingsshylsteret, og trekk til mutteren.

► **Fig.11:** 1. Vannslange 2. Mutter på koplingsshylsteret 3. Koplingsshylster

3. Koble vannslangen til vanntilførselen.

Ved kobling til en vannkran må du bruke en egnet tilkobling, f.eks. en slangeklemme eller vannkranovergang.

► **Fig.12:** 1. Slangeklemme 2. Vannkranovergang
3. Vannslange

MERK: Utstyret avhenger av formen på vannkranen du kobler til. Klargjør egnet utstyr som er kjøpt kommersielt.

MERK: Hvis du bruker en vannkranovergang, må du klargjøre et koplingsshylster til og feste det i den andre enden av slangen.

MERK: Når du bruker en vannpumpe, følger du instruksjonene for vannpumpen for å koble til vannslangen.

4. Skyv koplingsshylsteret inn i vanninnløpet til det låses med et klikk.

► **Fig.13:** 1. Koplingsshylster 2. Vanninnløp 3. Kran

OBS: Hold kranen lukket til du begynner å skjære med vanntilførsel. Du finner informasjon om vanntilførsel i avsnittet om bruk.

BRUK

⚠FORSIKTIG: Hold arbeidsstykket godt fast på en stabil benk eller et bord mens arbeidet utføres.

⚠FORSIKTIG: Ikke vri eller tving maskinen i kuttet, da dette kan gjøre at motoren overbelastes eller at arbeidsemnet brykker.

Skjære

⚠FORSIKTIG: Verktøyet må ikke løftes over skulderhøyde under bruk.

► **Fig.14**

Hold godt tak i verktøyet. Ta tak i håndtaket med høyre hånd og fremre grep med venstre hånd. Hold alltid tak i den angitte delen av det fremre grepet som vist i figuren, slik at du unngår elektrisk støt ved at du ved et uhell skjærer i en elektrisk kabel.

► **Fig.15:** 1. Del å holde i

Beveg verktøyet over overflaten på arbeidsstykket mens du holder det flatt og beveger det jevnt forover til snittet er fullført. Hold skjærelinjen rett og hastigheten forover jevn.

► **Fig.16**

MERK: Verktøyet fungerer ikke som tiltenkt når batteritemperaturen er for lav. Bruk verktøyet til lett saging til batteriet er oppvarmet til romtemperatur. Deretter kan verktøyet brukes med full kapasitet.

MERK: Hvis diamantskivens funksjon begynner å avta, må du slipe skjærekanten med en gammel grov sandslipestein eller en betongblokk. Slip ved å trykke lett på ytterkanten til diamantskiven.

Vannforsyning under skjæring

⚠ FORSIKTIG: Når du bruker en våt diamantskive, må du alltid forsyne vann under skjæring.

Koble verktøyet til vanntilførselen, og dreii kranen i pilens retning som illustrert. Juster kranens stilling for å oppnå en forsiktig vannstrøm.

► Fig.17: 1. Kran

⚠ FORSIKTIG: Ved vannforsyning må verktøyet alltid holdes lavere enn verktøykroppen for å forhindre at det kommer vann inn i verktøymekanismen. Hvis du ikke gjør det, kan det føre til elektrisk støt.

► Fig.18

VEDLIKEHOLD

⚠ FORSIKTIG: Forviss deg alltid om at maskinen er slått av og batteriet tatt ut før du foretar inspeksjon eller vedlikehold.

OBS: Aldri bruk gasolin, bensin, tynner alkohol eller lignende. Det kan føre til misfarging, deformering eller sprekkdannelse.

For å opprettholde produktets SIKKERHET og PÅLITELIGHET, må reparasjoner, vedlikehold og justeringer utføres av autoriserte Makita servicesentre eller fabrikk-servicesentre, og det må alltid brukes reservedeler fra Makita.

Rengjøre verktøyet

Hver gang du har brukt verktøyet, tar du ut batteriinnsettene og skiven, og deretter fjerner du støv, smuss eller metallspen som har samlet seg opp inne i beskyttelseskappen. Rengjør hoveddelen av verktøyet ved å tørke bort støv og smuss med en tørr klut eller en klut som er dyppet i såpevann og vridd opp. Bruk en tørr klut til å tørke smuss av lampelinsen. Vær forsiktig så det ikke blir riper i lampelinsen, da dette kan redusere lysstyrken.

► Fig.19: 1. Beskyttelseskappe 2. Lampelinsen

Rengjøre luftåpningene

Rengjør verktøyets lufteåpninger med jevne mellomrom og ellers når åpningene begynner å tettes.

► Fig.20: 1. Lufteåpning

Bytte ut synkronbåndet

1. Ta ut batteriinnsettene og skiven.
2. Løsne sekskantboltene med tuppen på sekskantnøkkelen, og ta av dekelet.

► Fig.21: 1. Stjernenøkkel 2. Sekskantbolt 3. Deksel

3. Skyv inn spindellåsknappen og hold den for å låse den store trinsen, og dreii deretter mutteren mot klokken ved å bruke den tynne enden av stjernenøkkelen.

► Fig.22: 1. Stor trinse 2. Spindellåsknapp

4. Skyv inn spindellåsknappen og hold den for å låse den store trinsen, og dreii deretter den lille skiven mot klokken ved å bruke den tykke enden av stjernenøkkelen til å løsne synkronbåndet.

► Fig.23: 1. Spindellåsknapp 2. Stor trinse 3. Liten skive

5. Fjern båndet.

6. Når sporene på båndet er på innsiden, fester du én ende av båndet til den lille trinsen og deretter den andre enden av båndet til den store trinsen.

► Fig.24: 1. Bånd 2. Stor trinse 3. Liten trinse

7. Skyv inn spindellåsknappen og hold den for å låse den store trinsen, og dreii deretter den lille skiven med klokken ved å bruke den tykke enden av stjernenøkkelen til å stramme båndet.

► Fig.25: 1. Spindellåsknapp 2. Stor trinse

MERK: Pass på at den lille skiven er i samme posisjon som vist i figuren.

► Fig.26: 1. Liten skive

8. Skyv inn spindellåsknappen og hold den for å låse den store trinsen, og dreii deretter mutteren med klokken ved å bruke den tynne enden av stjernenøkkelen.

► Fig.27: 1. Spindellåsknapp

MERK: Når du strammer mutteren, bruker du 19-21 N·m som strammingsmoment.

9. Sett på dekelet og stram sekskantboltene med tuppen på sekskantnøkkelen.

► Fig.28: 1. Stjernenøkkel 2. Sekskantbolt 3. Deksel

FEILSØKING

Inspiser utstyret selv før du bestiller reparasjon. Ikke prøv å demontere verktøyet hvis du finner et problem som ikke er forklart i brukerveiledningen. I stedet bør du ta kontakt med et av Makitas autoriserte servicesentre, som alltid bruker reservedeler fra Makita til reparasjoner.

Unormal tilstand	Sannsynlig årsak (feil)	Løsning
Motoren går ikke.	Batterier er ikke satt inn.	Sett inn to batterier. Dette verktøyet fungerer ikke med ett batteri.
	Batteriproblem (med spenning)	Lad opp batteriet. Hvis ladingen ikke virker, skal batteriet skiftes ut.
	Drivsystemet virker ikke slik det skal.	Kontakt ditt nærmeste autoriserte servicesenter hvis det oppstår behov for reparasjon.
Motoren slutter å gå etter kort tids bruk.	Batteriets ladenivå er lavt.	Lad opp batteriet. Hvis ladingen ikke virker, skal batteriet skiftes ut.
	Overoppheting.	Stopp bruken av verktøyet og la det avkjøles.
Skiverotasjonen akselerer ikke skikkelig selv om verktøyet har fått svive uten belastning i 20 sekunder.	Batteriet er ikke riktig satt inn.	Sett inn batteriinnstansene som beskrevet i denne håndboken.
	Batterieffekten minsker.	Lad batteriinnstansene. Hvis batteriinnstansen ikke lader, må du skifte ut batteriinnstansen.
	Synkronbåndet glipper.	Bytt ut synkronbåndet med et nytt.
	Drivsystemet virker ikke slik det skal.	Kontakt ditt nærmeste autoriserte servicesenter hvis det oppstår behov for reparasjon.
Skiven roterer ikke: ⇒ stans maskinen umiddelbart!	Synkronbåndet glipper.	Bytt ut synkronbåndet med et nytt.
	Fremmedlegemer har kilt seg mellom vernet og skiven.	Ta ut batteriinnstansene, og fjern deretter fremmedlegemet.
	Drivsystemet virker ikke slik det skal.	Kontakt ditt nærmeste autoriserte servicesenter hvis det oppstår behov for reparasjon.
Unormale vibrasjoner: ⇒ stans maskinen umiddelbart!	Skiven er ikke festet riktig.	Sett inn skiven som beskrevet i denne håndboken. Trekk til bolten for å feste skiven godt.
	Drivsystemet virker ikke slik det skal.	Kontakt ditt nærmeste autoriserte servicesenter hvis det oppstår behov for reparasjon.
Skjæreverktøyet og motoren stopper ikke: ⇒ Ta ut batteriet umiddelbart!	Elektrisk eller elektronisk funksjonsfeil.	Ta ut batteriinnstansene og be det lokale, autoriserte servicesenteret om å få dem reparert.
Verktøyet skjærer dårlig	Det er på tide å skifte skiven.	Erstatt skiven med en ny.
Det lekker vann fra innløpet.	Det legger vann fra o-ringdelen.	Kontakt ditt nærmeste autoriserte servicesentere om å få det reparert.

VALGFRITT TILBEHØR

⚠FORSIKTIG: Det anbefales at du bruker dette tilbehøret eller verktøyet sammen med den Makita-maskinen som er spesifisert i denne håndboken. Bruk av annet tilbehør eller verktøy kan forårsake personskader. Tilbehør og verktøy må kun brukes til det formålet det er beregnet på.

Ta kontakt med ditt lokale Makita-servicesenter hvis du trenger mer informasjon om dette tilbehøret.

- Kappeskive med slipeeffekt
- Diamantskive
- Ringsett
- Synkronbånd
- Koplingshylster
- Stjernenøkkel
- Makita originalbatteri og lader

MERK: Enkelte elementer i listen kan være inkludert som standardtilbehør i verktøypakken. Elementene kan variere fra land til land.

TEKNISET TIEDOT

Malli:	CE001G
Laikan halkaisija	355 mm
Laikan suurin paksuus	5,0 mm
Suurin leikkaussyvyys	127 mm
Nimellisnopeus	5 300 min ⁻¹
Nimellisjännite	DC 72 V – 80 V maks.
Suurin sallittu vedensyöttöpaine	5,0 baaria
Kokonaispituus	786 mm
Nettopaino	12,3 - 12,9 kg
Suojausluokka	IPX4

- Jatkuva tutkimus- ja kehitystyöstämme johtuen esitetyt tekniset tiedot saattavat muuttua ilman erillistä ilmoitusta.
- Tekniset tiedot voivat vaihdella maittain.
- Paino voi olla erilainen lisävarusteista sekä akusta johtuen. EPTA-menettelytavan 01/2014 mukaisesti, taulukossa on kuvattu kevyin ja painavin laiteyhdistelmä.

Käytettävä akkupaketti ja laturi

Akkupaketti	BL4040 / BL4050F* *: Suositeltu akku
Laturi	DC40RA / DC40RB / DC40RC

- Tiettyjä yläpuolella kuvattuja akkuja ja latureita ei ehkä ole saatavana asuinalueestasi johtuen.

VAROITUS: Käytä vain edellä eriteltyjä akkupaketteja ja latureita. Muiden akkupakettien ja laturien käyttäminen voi aiheuttaa loukkaantumisen ja/tai tulipalon.

Käyttötarkoitus

Työkalu on tarkoitettu metallimateriaalien leikkaamiseen hiovalla katkaisulaikalla ja kivimateriaalien leikkaamiseen timanttilaikalla.

Melutaso

Tyypillinen A-painotettu melutaso määräytyy standardin EN60745-2-22 mukaan:

Äänenpainetaso (L_{pA}): 109 dB (A)

Äänen voiman taso (L_{WA}): 120 dB (A)

Virhemarginaali (K): 3 dB (A)

HUOMAA: Ilmoitetut melutasoarvot on mitattu standarditestausmenetelmän mukaisesti ja niiden avulla voidaan vertailla työkaluja keskenään.

HUOMAA: Ilmoitettuja melutasoarvoja voidaan käyttää myös altistumisen alustavaan arviointiin.

VAROITUS: Käytä kuulosuojaimia.

VAROITUS: Sähkötyökalun käytön aikana mitattu melutasoarvo voi poiketa ilmoitetuista arvoista laitteen käyttötavan ja erityisesti käsiteltävän työkappaleen mukaan.

VAROITUS: Selvitä käyttäjän suojaamiseksi tarvittavat varoimet todellisissa käyttöolosuhteissa tapahtuvan arvioidun altistumisen mukaisesti (ottaen huomioon käyttöjakso kokonaisuudessaan, myös jaksot, joiden aikana laite on sammutettuna tai käy tyhjäkäynnillä).

Tärinä

Työtila: betonin leikkaaminen

Vasen käsi		Oikea käsi		Sovellettava standardi
$a_{h,w}$ (m/s ²)	Epävarmuus K (m/s ²)	$a_{h,w}$ (m/s ²)	Epävarmuus K (m/s ²)	
≤ 2,5	1,5	≤ 2,5	1,5	EN60745-2-22

HUOMAA: Ilmoitetut kokonaistärinäarvot on mitattu standarditestausten mukaisesti ja niiden avulla voidaan vertailla työkaluja keskenään.

HUOMAA: Ilmoitettuja kokonaistärinäarvoja voidaan käyttää myös altistumisen alustavaan arviointiin.

VAROITUS: Sähkötyökalun käytön aikana mitattu todellinen tärinäpäästöarvo voi poiketa ilmoitetuista arvoista laitteen käyttötavan ja erityisesti käsiteltävän työkappaleen mukaan.

VAROITUS: Selvitä käyttäjän suojaamiseksi tarvittavat varoimet todellisissa käyttöolosuhteissa tapahtuvan arvioidun altistumisen mukaisesti (ottaen huomioon käyttöjako kokonaisuudessaan, myös jaksot, joiden aikana laite on sammutettuna tai käy tyhjäkäynnillä).

EY-vaatimusten mukaisuusvakuutus

Koskee vain Euroopan maita

EY-vaatimusten mukaisuusvakuutus on liitetty tähän käyttöoppaaseen.

TURVAVAROITUKSET

Sähkötyökalujen käyttöä koskevat yleiset varoitukset

VAROITUS: Tutustu kaikkiin tämän sähkötyökalun mukana toimitettuihin varoituksiin, ohjeisiin, kuviin ja teknisiin tietoihin. Seuraavassa lueteltujen ohjeiden noudattamatta jättäminen saattaa johtaa sähköiskuun, tulipaloon tai vakavaan vammautumiseen.

Säilytä varoitukset ja ohjeet tulevaa käyttöä varten.

Varoituksissa käytettävällä termillä "sähkötyökalu" tarkoitetaan joko verkkovirtaa käyttävää (johdollista) työkalua tai akkukäyttöistä (johdotonta) työkalua.

Akkukäyttöisen leikkurin turvallisuusohjeet

1. Työkalun mukana toimitettu suojus on kiinnitettävä laitteeseen tukevasti turvalliseen asentoon niin, että mahdollisimman pieni osa laikasta näkyy käyttäjää kohti. Asetu siten, että sinä itse tai kukaan sivullinen ei ole pyörivän laikan kanssa samassa tasossa. Suoja suojaaa käyttäjää rikkoutuneen laikan sirpaleilta ja estää koskettamasta laikkaa vahingossa.
2. Käytä ainoastaan tähän sähkötyökaluun tarkoitettuja vahvistettuja katkaisulaikkoja tai timanttikatkaisulaikkoja. Vaikka lisävarusteen voikin kiinnittää sähkötyökaluun, sen käyttö ei silti välttämättä ole turvallista.
3. Lisävarusteen määrätyn nopeuden täytyy olla ainakin samanvertainen tehokoneessa osoitetun enimmäisnopeuden kanssa. Sellaiset lisävarusteet, jotka toimivat nopeammin, kuin määritetty nopeus, voivat rikkoutua ja sinkoutua erilleen.

4. Laikkoja saa käyttää vain niille suositeltuun käyttötarkoitukseen. Esimerkki: älä käytä katkaisulaikan sivua hiomiseen. Katkaisulaikkaa käytettäessä hionta on tarkoitettu tehtäväksi vain laikan kehällä. Laikkaan kohdistettava sivuttaisvoima voi rikkoa sen sirpaleiksi.
5. Käytä aina ehjiä laikkalaippoja, joiden läpimitta vastaa valittua laikkaa. Oikeantyyppiset laikkalaipat tukevat laikkaa ja pienentävät näin laikan rikkoutumisriskiä.
6. Älä käytä isommista sähkötyökaluista otettuja kuluneita vahvistettuja laikkoja. Isoihin sähkötyökaluihin tarkoitettuja laikat eivät sovi suuremmalla nopeudella toimiviin pienempiin sähkötyökaluihin ja voivat siksi hajota.
7. Lisävarusteisiin ulkohalkaisijan ja paksuuden on oltava tehokoneesi määritetyn kapasiteetin sisällä. Väärin mitoitettuja lisävarusteita ei voida suojata tai ohjata sopivasti.
8. Laikkojen ja laippojen reikäkokojen täytyy sopia työkalun karaan täsmälleen. Laikat ja laipat, joiden rei'itys ei vastaa työkalun kiinnitysosaa, toimivat epätasapainossa, värähtelevät liikaa ja saattavat aiheuttaa hallinnan menetyksen.
9. Älä käytä viallisia laikkoja. Tarkasta ennen jokaista käyttökertaa, ettei laikoissa ei ole lohkeamia tai halkeamia. Jos työkalu tai laikka pääsee putoamaan, tarkista sen kunto tai vaihda laikka ehjään. Asetu laikan tarkastuksen ja asennuksen jälkeen siten, että sinä itse tai kukaan sivullinen ei ole pyörivän laikan kanssa samassa tasossa, ja käytä laitetta sitten suurimmalla sallitulla joutokäyntinopeudella yhden minuutin ajan. Vialliset laikat rikkoutuivat yleensä tässä kokeessa.
10. Käytä suojavarusteita. Käytä käyttötarkoituksen mukaisesti kasvosuojusta, suojalaseja tai sivusuojilla varustettuja laseja. Käytä tarvittaessa hengityssuojainta, kuulosuojaimia, hansikkaita ja työessua, joka suojaaa pieniltä pirstaleilta. Suojalasiensa täytyy suojata kaikenlaisista töistä aiheutuvilta lentäviltä pirstaleilta. Hengityssuojaimen täytyy suodattaa työskentelyn tuottamat hiukkaset. Pitkäaikainen altistuminen voimakkaalle melulle voi vahingoittaa kuuloa.

11. **Sivullisten tulee pysyä turvallisen etäisyyden päässä työskentelyalueesta. Kaikkien työskentelyalueelle tulevien on käytettävä suojavarusteita.** Työkappaleen tai rikkoutuneen laikan sirpaleet voivat sinkoutua ja aiheuttaa onnettomuuden muuallakin kuin käyttökohteen välittömässä läheisyydessä.
12. **Pidä sähkötyökalua vain sen eristetyistä tartuntapinnoista, kun on mahdollista, että sen terä osuu pilossa oleviin johtoihin.** Jos leikkauslisälaite joutuu kosketukseen jännitteisen johdon kanssa, jännite voi siirtyä työkalun sähköä johtaviin metalliosiin ja aiheuttaa käyttäjälle sähköiskun.
13. **Älä koskaan laita tehokoneita alas, ennen kuin lisävaruste on täysin pysähtynyt.** Pyörivä laikka voi tarttua alla olevaan pintaan ja vetää työkalun pois hallinnastasi.
14. **Älä käytä laitetta, kun annat sitä sivullasi.** Vahingossa aiheutuva kosketus pyörivään lisävarusteeseen voi repiä vaatteesi, vetäen lisävarusteen kehoosi.
15. **Puhdista työkalun ilma-aukot säännöllisesti.** Moottorin tuuletin imee pölyä koteloon, ja metallijauheen kerääntyminen laitteeseen voi aiheuttaa sähköiskuvaaran.
16. **Älä käytä tehokoneita tulenarkojen materiaalien lähellä.** Kipinät voivat sytyttää nämä materiaalit.

Takapotku ja siihen liittyvät varoitukset

Takapotku on kiinni juuttuneen laikan aiheuttama äkillinen sytäys. Kiinni juuttuminen tai takertelu aiheuttaa pyörivän laikan äkinäisen pysähtymisen, mikä puolestaan aiheuttaa työkalun hallitsemattoman työntymisen pyörimisliikkeen vastakkaiseen suuntaan.

Jos laikka esimerkiksi juuttuu työkappaleeseen, juuttumiskohtaan pureutumassa oleva laikka voi tunkeutua kappaleen pintaan, jolloin se kiipeää ylös tai potkaisee taaksepäin. Laikka voi ponnahtaa joko käyttäjää kohti tai käyttäjästä pois päin riippuen laikan pyörimissuunnasta juuttumishetkellä. Hiomalaikat voivat myös rikkoutua näissä tilanteissa.

Takapotku johtuu tehokoneen virheellisestä käytöstä ja/ tai käyttötavasta tai olosuhteista. Takapotku voidaan välttää seuraavien varoitimien avulla.

1. **Pitele tehokoneesta tukevasti kiinni ja asetu sellaiseen asentoon, että voit vastustaa takapotkun voimaa.** Käytä aina apukahvaa, jos annettu mukana, takapotkujen tai vääntömomentin maksimi hallinnon vuoksi käynnistyksen aikana. Käyttäjää voi hallita vääntömomentin reaktioita tai takapotkun voimaa noudattamalla sopivia varoitimenpiteitä.
2. **Älä koskaan vie kättäsi pyörivän lisävarusteen lähelle.** Lisävaruste saattaa aiheuttaa takapotkun käteesi.
3. **Älä asetu pyörivän laikan kanssa samaan linjaan.** Takapotku heittää laitetta laikan pyörimissuuntaan nähden päinvastaiseen suuntaan.
4. **Ole erityisen varovainen, kun työstät nurkkia, teräviä reunoja tms. Vältä laikan pommimista ja jumittumista.** Kulmilla, terävillä reunoilla tai ponnahtamisella on taipumus repäistä pyörivää lisävarustetta ja aiheuttaa hallinnan menettämisen tai takapotkun.
5. **Älä käytä laitteessa moottorisahan teräketjua, puunleikkuuterää, halkaisijaltaan yli 10 mm:n kokoista segmentoitua timanttilaikkaa tai hammastettua sahanterää.** Tällaiset terät aiheuttavat usein takapotkuja ja hallinnan menettämisen.
6. **Älä anna laikan juuttua paikalleen äläkä paina laitetta liian voimakkaasti. Älä yritä tehdä liian suuria uraa.** Laikan liiallinen painaminen lisää kuumitusta ja laikan vääntymis- tai juuttumisriskiä, jolloin seurauksena voi olla takapotku tai laikan rikkoutuminen.
7. **Kun laikka takertelee tai työ joudutaan jostakin syystä keskeyttämään, katkaise laitteesta virta ja pidä sitä paikoillaan liikkumatta, kunnes laikka on täysin pysähtynyt. Älä koskaan yritä irrottaa laikkaa urasta, kun laikka vielä pyörii, koska seurauksena voi olla takapotku.** Selvitä laikan takertelun syy ja poista juuttumisen aiheutumisen syy.
8. **Älä käynnistä laitetta niin, että se on kiinni työkappaleessa. Anna laikan savuttaa täysi pyörimisnopeus ja työnnä laikka sitten varovasti leikkuu-uraan.** Jos työkalu käynnistetään niin, että se on kiinni työkappaleessa, laikka voi juuttua, työntyä taaksepäin tai ponnahtaa ylös.
9. **Vähennä laikan takertelu- ja takapotkuriskiä tukemalla paneelit ja ylisuuret työkappaleet huolellisesti.** Suurikokoiset työkappaleet pyrkivät taipumaan omasta painostaan. Työkappale on tuettava laikan kummaltakin puolelta leikkuulinjan vierestä ja työkappaleen reunoilta.
10. **Ole erityisen varovainen, kun teet aukkoja seinäin tai muihin umpinaiisiin rakenteisiin.** Laikka voi katkaista kaasu- tai vesiputken tai sähköjohtoja tai osua takapotkun aiheuttaviin esteisiin.

Turvallisuutta koskevat lisävaroitukset:

1. **Ennen kuin käytät segmentoitua timanttilaikkaa, varmista, ettei segmenttien välinen rako laikan kehällä ole yli 10 mm ja että laikan teräkulma on negatiivinen.**
2. **Älä koskaan yritä koskaan leikata työkalulla, joka on ylösalaisin viilapenkillä. Tämä voi johtaa vakaviin onnettomuuksiin, koska se on erittäin vaarallista.**
3. **Jotkin materiaalit sisältävät kemikaaleja, jotka voivat olla myrkyllisiä. Huolehdi siitä, että pölyn sisäänhengittäminen ja ihokosketus estetään. Noudata materiaalin toimittajan turvaohjeita.**
4. **Säilytä laikkoja valmistajan suositusten mukaisesti. Väärä säilytys voi vaurioittaa laikkoja.**
5. **Käytä aina työhön ja leikattavalle materiaalille sopivaa laikkaa.**
6. **Tarkasta materiaali ennen sen leikkaamista.** Jos materiaali sisältää räjähtäviä tai syttyviä ainesosia, sen leikkaaminen voi aiheuttaa räjähdyksen tai tulipalon.
7. **Älä kytke työkalua päälle, jos suojuksen ja laikan väliin on jumittunut jokin vierasesine.** Irrota tällöin akkupaketti ja irrota sitten vierasesine.
8. **Kiinnitä työkappale paikalleen puristimia tai vastaavia käyttämällä aina, kun se on mahdollista.**
9. **Käytä aina kuulosuojaimia käytön aikana.**
10. **Älä leikkaa puumateriaaleja tällä työkalulla.**
11. **Laikan ulkohalkaisijan ja paksuuden on oltava sähkötyökalun nimellisteholle sopivat.** Vääränkokoisia laikkoja ei voida suojata tai ohjata riittävästi.

12. Kun käytät sähkötyökälyä, pitele sitä lujasti molemmin käsin ja asetu niin, että kehosi ja käsivartesi pystyvät vastustamaan takapotkun voimaa.
13. Pidä kätesi ja kasvosi poissa pyörivän laikan ulottuvilta.
14. Säädä laikansuojus työlle sopivaan asentoon.
15. Kun käytät työkalua mutaisessa maastossa, mässä rinteessä tai liukkaassa paikassa, kiinnitä erityistä huomiota hyvän tasapainon säilyttämiseen.
16. Älä upota työkalua lammikkoihin.
17. Älä jätä työkalua ulos sateeseen ja valvomatta.
18. Älä vaihda akkua sateessa.
19. Kun varastoit työkalun, vältä sijoittamista sitä pakkaan, jossa se altistuu suoralle auringonpaisteelle, sateelle, kuumuudelle tai kosteudelle.
8. Älä naulaa, leikkaa, purista, heitä tai pudota akkupakettia tai iske sitä kovia esineitä vasten. Tällaiset toimet voivat johtaa tulipaloon, ylikuumentumiseen tai räjähdykseen.
9. Älä käytä viallista akkua.
10. Sisältyviä litium-ioni-akkuja koskevat vaarallisten aineiden lainsäädännön vaatimukset. Esimerkiksi kolmansien osapuolten huolintaliikkeiden tulee kaupallisissa kuljetuksissa noudattaa pakkaamista ja merkintöjä koskevia erityisvaatimuksia. Lähetettävän tuotteen valmistelu edellyttää vaarallisten aineiden asiantuntijan neuvontaa. Huomioi myös mahdollisesti yksityiskohtaisemmat kansalliset määräykset Akun avoimet liittimet tulee suojata teipillä tai suojuksella ja pakkaaminen tulee tehdä niin, ettei akku voi liikkua pakkauksessa.
11. Kun akkupaketti on hävitettävä, poista se laitteesta ja hävitä se turvallisesti. Hävitä akku paikallisten määräysten mukaisesti.
12. Käytä akkuja vain Makitan ilmoittamien tuotteiden kanssa. Akkujen asentaminen yhteensopimattomiin tuotteisiin voi aiheuttaa tulipalon, liiallisen ylikuumentumisen, räjähdyksen tai akkunestevuotoja.
13. Jos laitetta ei käytetä pitkään aikaan, akku on poistettava laitteesta.
14. Akkupaketin lämpötila voi käytön aikana ja sen jälkeen nousta niin kuumaksi, että se voi aiheuttaa palovammoja tai lieviä palovammoja. Käsittele kuumia akkupaketteja huolellisesti.
15. Älä kosketa työkalun liittintä välittömästi käytön jälkeen, sillä se voi olla riittävän kuuma aiheuttamaan palovammoja.
16. Älä päästä lastuja, pölyä tai maata akkupaketin liittimiin, aukkoihin ja uriin. Se voi johtaa työkalun tai akkupaketin lämpenemiseen, syttymiseen, purkautumiseen tai toimintahäiriöön, mikä voi aiheuttaa palovammoja tai vammoja.
17. Ellei työkalu tue käyttöä korkeajännitelinjojen lähellä, älä käytä akkupakettia korkeajännitelinjojen lähellä. Se voi johtaa työkalun tai akkupaketin toimintahäiriöön tai rikkoutumiseen.
18. Pidä akku poissa lasten ulottuvilta.

SÄILYTÄ NÄMÄ OHJEET.

VAROITUS: ÄLÄ anna työkalun helppokäyttöisyyden (toistuvan käytön aikaansaama) johtaa sinua väärään turvallisuuden tunteeseen niin, että laiminlyöt työkalun turvaohjeiden noudattamisen. VÄÄRINKÄYTTÖ tai tässä käyttöohjeessa ilmoitettujen turvamääräysten laiminlyönti voi aiheuttaa vakavia henkilövahinkoja.

Akkupakettia koskevia tärkeitä turvaohjeita

1. Ennen akun käyttöönottoa tutustu kaikkiin laturissa (1), akussa (2) ja akkukäyttöisessä tuotteessa (3) oleviin varoitusteksteihin.
2. Älä pura tai peukaloi imuria akkupakettia. Se voi johtaa tulipaloon, ylikuumentumiseen tai räjähdykseen.
3. Jos akun toiminta-aika lyhenee merkittävästi, lopeta akun käyttö. Seurauksena voi olla ylikuumentuminen, palovammoja tai jopa räjähdys.
4. Jos akkunestettä pääsee silmiin, huuhtele puhtaalla vedellä ja hakeudu välittömästi lääkärin hoitoon. Akkuneste voi aiheuttaa näön menetyksen.
5. Älä oikosulje akkua.
 - (1) Älä koske akun napoihin millään sähköä johtavalla materiaalilla.
 - (2) Vältä akun oikosulkemista äläkä säilytä akkua yhdessä muiden metalliesineiden, kuten naulojen, kolikoiden ja niin edelleen kanssa.
 - (3) Älä aseta akkua alttiiksi vedelle tai sateelle.
 Oikosulku voi aiheuttaa virtapiikin, ylikuumentumista, palovammoja tai laitteen rikkoutumisen.
6. Älä säilytä ja käytä työkalua ja akkupakettia paikassa, jossa lämpötila voi nousta 50 °C:een (122 °F) tai korkeammaksi.
7. Älä hävitä akkua polttamalla, vaikka se olisi pahoin vaurioitunut tai täysin loppuun kulunut. Avotuli voi aiheuttaa akun räjähtämisen.

SÄILYTÄ NÄMÄ OHJEET.

HUOMIO: Käytä vain alkuperäisiä Makita-akkuja. Muiden kuin aitojen Makita-akkujen, tai mahdollisesti muutettujen akkujen käyttö voi johtaa akun murtumiseen ja aiheuttaa tulipaloja, henkilö- ja omaisuusvahinkoja. Se mitätöi myös Makita-työkalun ja -laturin Makita-takuun.

Vihjeitä akun käyttöä pidentämiseksi

1. Lataa akku ennen kuin se purkautuu täysin. Lopeta aina työkalun käyttö ja lataa akku, jos huomaat työkalun tehon vähenevän.
2. Älä koskaan lataa uudestaan täysin ladattua akkua. Yliilataaminen lyhentää akun käyttöikä.
3. Lataa akku huoneen lämpötilassa välillä 10 °C - 40 °C. Anna kuumen akun jäähtyä ennen lataamista.
4. Irrota akkupaketti työkalusta tai laturista, kun sitä ei käytetä.
5. Lataa akkupaketti, jos et käytä sitä pitkään aikaan (yli kuusi kuukautta).

OSIEN KUVAUS

► Kuva1

1	Hiova katkaisulaikka / timanttilaikka	2	Laikan suojuus	3	Laikansuojuksen kahva	4	Etukahva
5	Lamppu	6	Akkupaketti	7	Lukituksen vapautuspainike	8	Pyörä
9	Akselin lukkopainike	10	Kansi (V-hihna)	11	Sulkuhana	12	Vesiliitin
13	Kahva	14	Liipaisinkytkin	15	Lamppupainike	16	Ylikuormituksen merkkivalo
17	Liitäntäholkki	18	Hylsyavain	-	-	-	-

TOIMINTOJEN KUVAUS

▲HUOMIO: Varmista aina ennen säätöjä ja tarkastuksia, että työkalu on sammutettu ja akkupaketti irrotettu.

Akun asentaminen tai irrottaminen

▲HUOMIO: Sammuta työkalu aina ennen akun kiinnittämistä tai irrottamista.

▲HUOMIO: Pidä työkalusta ja akusta tiukasti kiinni, kun irrotat tai kiinnität akkua. Jos akkupaketti tai työkalu putoaa, ne voivat vaurioitua tai aiheuttaa tapaturman.

Kun asennat akkupakettia, kohdista akkupaketin uloke kotelon uraan ja liu'uta se paikalleen. Työnnä sitä, kunnes se naksahtaa lukkoon. Jos painikkeen yläpinnalla näkyy punainen ilmaisin, akkupaketti ei ole kokonaan lukossa.

► **Kuva2:** 1. Punainen ilmaisin 2. Painike
3. Akkupaketti

Irrota akkupaketit painamalla nostamalla niitä samalla, kun painat akun etupuolella olevaa painiketta.

▲HUOMIO: Työnnä akku aina pohjaan asti, niin että punainen ilmaisin ei enää näy. Jos akku ei ole kunnolla paikallaan, se voi pudota työkalusta ja aiheuttaa vammoja joko sinulle tai sivullisille.

▲HUOMIO: Älä käytä voimaa akun asennuksessa. Jos akku ei liu'u paikalleen helposti, se on väärässä asennossa.

HUOMAA: Työkalu ei toimi yhdellä akulla.

Akun jäljellä olevan varaustason ilmaisin

Painamalla tarkistuspainiketta saat näkyviin akun jäljellä olevan varauksen. Merkkivalot palavat muutaman sekunnin ajan.

► **Kuva3:** 1. Merkkivalot 2. Tarkistuspainike

Merkkivalot			Akussa jäljellä olevan varaus
Palaa	Pois päältä	Viikkuu	
■ ■ ■ ■ ■			75% - 100%
■ ■ ■ ■ □			50% - 75%
■ ■ □ □			25% - 50%
■ □ □ □			0% - 25%
▣ □ □ □			Lataa akku.
■ ■ □ □			Akussa on saattanut olla toimintahäiriö.
□ □ ■ ■			

HUOMAA: Ilmoitettu varaustaso voi erota hieman todellisesta varaustasosta sen mukaan, millaisissa oloissa ja missä lämpötilassa laitetta käytetään.

HUOMAA: Ensimmäinen (vasemmanpuoleisin) merkkivalo vilkkuu, kun akun suojausjärjestelmä on toiminnassa.

Työkalun/akun suojausjärjestelmä

Työkalu on varustettu työkalu/akun suojausjärjestelmällä. Tämä järjestelmä pidentää työkalun ja akun käyttöikää katkaisemalla automaattisesti moottorin virran. Työkalu pysähtyy automaattisesti kesken käytön, jos työkalussa tai akussa ilmenee jokin seuraavista tilanteista: Joissakin tilanteissa merkkivalot syttyvät.

Ylikuormitussuoja

Kun laitetta/akkua käytetään tavalla, joka saa sen kuluttamaan epätavallisen suuren määrän virtaa, laite pysähtyy automaattisesti. Katkaise tässä tilanteessa laitteesta virta ja lopeta ylikuormitustilan aiheuttanut käyttö. Käynnistä sitten laite uudelleen kytkemällä siihen virta.

Ylikuumenemissuoja

Jos työkalu/akku on ylikuumentunut, työkalu pysähtyy automaattisesti ja lamppu vilkkuu. Tässä tilanteessa sinun tulee antaa työkalun jäähtyä ennen virran kytkemistä takaisin.

Ylipurkautumissuoja

Kun akku alkaa tyhjentyä, työkalu pysähtyy automaattisesti ja akkupaketin merkkivalo vilkkuu. Ellei työkalu toimi, vaikka kytkimiä painetaan, irrota akut työkalusta ja lataa ne.

Suojaus muilta haitallisilta tapahtumilta

Suojausjärjestelmä on suunniteltu suojaamaan työkalua myös muilta tapahtumilta, jotka voisivat vahingoittaa työkalua, ja pysäyttämään työkalu automaattisesti tällaisissa tapauksissa. Kun työkalu tai sen toiminta on pysähtynyt tilapäisesti tai se on pysähtynyt, poista pysäytyksen syy seuraavien vaiheiden mukaisesti.

1. Käynnistä työkalu sammuttamalla se ja kytkemällä se sitten uudelleen päälle.
2. Lataa akut tai vaihda ne ladattuihin akkuihin.
3. Anna koneen ja akkujen jäähtyä.

Jos suojausjärjestelmän nollaaminen ei korjaa tilannetta, ota yhteys paikalliseen Makita-huoltoon.

HUOMAUTUS: Jos työkalu pysähtyy muusta kuin edellä kuvastusta syystä, katso vianimäärittämissuhteita.

Ylikuormituksen hälytys

Jos työkalua käytetään äärimmäisellä kuormituksella, ylikuormituksen merkkivalo vilkkuu punaisena. Pienenä tällöin työkalun kuormitusta. Merkkivalon pitäisi tällöin lakata vilkkumasta.

► **Kuva4:** 1. Ylikuormituksen merkkivalo

Kytkimen käyttäminen

VAROITUS: Tarkista aina ennen akkupaketin asettamista työkaluun, että liipaisinkytkin kytketty oikein ja palaa "OFF"-asentoon, kun se vapautetaan.

VAROITUS: ÄLÄ KOSKAAN ohita lukituksen vapautuspainiketta teippaamalla sitä kiinni tai muulla tavoin. Kun lukituksen vapautuspainike on ohitettu, kytkimen käsittely saattaa aiheuttaa vahinkokäynnistymisen, mistä voi seurata vakava henkilövahinko.

VAROITUS: ÄLÄ KOSKAAN käytä työkalua, jos se käynnistyy pelkästään liipaisinkytkintä painamalla ilman, että lukituksen vapautuspainiketta painetaan. Viallinen kytkin saattaa aiheuttaa vahinkokäynnistymisen, mistä voi seurata vakava henkilövahinko. Toimita työkalu Makita-huoltoon korjattavaksi ENNEN kuin jatkat käyttöä.

Työkalussa on lukituksen vapautuspainike, joka estää liipaisinkytkimen painamisen vahingossa. Käynnistä työkalu painamalla lukituksen vapautuspainike sisään ja painamalla liipaisinkytkintä. Pysäytä vapauttamalla liipaisinkytkin.

► **Kuva5:** 1. Liipaisinkytkin 2. Lukituksen vapautuspainike

HUOMAUTUS: Älä paina liipaisinkytkintä voimakkaasti, ellei samalla paina lukituksen vapautuspainiketta. Tämä voi aiheuttaa kytkimen rikkoutumisen.

Lampun sytyttäminen

HUOMIO: Älä katso suoraan lamppuun tai valonlähteeseen.

Sytytä lamppu painamalla lamppupainiketta. Sammuta lamppu painamalla lamppupainiketta uudelleen.

► **Kuva6:** 1. Lamppupainike 2. Lamppu

HUOMAA: Lamppu sammuu automaattisesti, kun työkalu on ollut käyttämättä yhden minuutin ajan.

Laikansuojuksen säätäminen

Pitele laikansuojuksen kahvasta ja säädä laikansuojus työlle sopivaan asentoon.

► **Kuva7:** 1. Laikansuojuksen kahva

Aktiivinen palautteentunnistustekniikka

Työkalu havaitsee elektronisesti tilanteet, joissa aika on vaarassa juuttua. Tässä tilanteessa työkalu pysähtyy automaattisesti karan pyörimisen estämiseksi (tämä ei estä takapotkua).

Voit käynnistää työkalun uudelleen sammuttamalla sen ensin, poistamalla syyn äkilliseen pyörimisnopeuden laskuun ja käynnistämällä työkalun.

Sähköjarru

Mekaaninen jarru aktivoituu työkalun virran katkeamisen jälkeen.

Jarru ei toimi, jos virtalähteen virta katkaistaan, esimerkiksi jos akku irrotetaan vahingossa, mutta laitteen virtakytkin on päällä.

KOKOONPANO

HUOMIO: Varmista aina ennen mitään työkälylle tehtäviä toimenpiteitä, että se on sammutettu ja akku irrotettu.

Hiovan katkaisulaikan / timanttilaikan kiinnittäminen ja irrottaminen

HUOMIO: Käytä laikan irrottamiseen ja kiinnittämiseen vain Makitan kiintoavainta.

HUOMIO: Kun asennat laikan, varmista, että olet kiristänyt pultin lujasti.

HUOMIO: Älä paina akselin lukkopainiketta laikan pyöriessä.

Kun irrotat laikan, paina akselin lukkopainiketta ja pyöritä laikkaa niin pitkälle kuin se menee. Kun akselilukko on täysin lukittu, kierrä kuusiopulttia vastapäivään hylsyavaimella. Irrota sitten järjestyksessä kuusiopultti, laippa, laikka, rengas ja laippa.

- **Kuva8:** 1. Akselin lukkopainike 2. Hylsyavain 3. Kiristä 4. Löysää
- **Kuva9:** 1. Kuusiopultti 2. Laippa 3. Rengas 4. Hiova katkaisulaikka / timanttilaikka 5. Nuoli (laikan pyörimissuunta)

Voit asentaa laikan seuraamalla irrotusmenettelyä päinvastaisessa järjestyksessä. **VARMISTA, ETTÄ KIRISTÄT KUUSIOPULTIN TIUKASTI.**

▲HUOMIO: Asenna laikka aina niin, että laikassa oleva nuoli osoittaa samaan suuntaan kuin laikan suojuksessa oleva nuoli. Muuten laikka pyörii taaksepäin, mikä voi aiheuttaa henkilövahinkoja.

▲HUOMIO: Käytä vain laikkoja, joihin merkitty nopeus on vähintään yhtä suuri tai suurempi kuin työkaluun merkitty nopeus.

HUOMAA: Kun asennat laikan, muista kiinnittää laipat niin, että laipan litteä puoli on laikkaa vasten, ja kiinnitä laikan sisähalkaisija vastaava rengas.

- **Kuva10:** 1. Kuusiopultti 2. Laippa 3. Rengas 4. Hiova katkaisulaikka / timanttilaikka

Liittäminen vedensyöttöön

1. Valmistelee vesiletku.
2. Irrota liitäntäholkkin mutteri ja aseta vesiletku mutterin läpi. Liitä letkun toinen pää liitäntäholkkiin ja kiristä mutteri tämän jälkeen.
- **Kuva11:** 1. Vesiletku 2. Liitäntäholkkin mutteri 3. Liitäntäholkki

3. Liitä vesiletku vedensyöttöön.

Kun liität letkun vesihanaan, käytä sopivaa liitintä, kuten letkusidettä tai hanaliitintä.

- **Kuva12:** 1. Letkuside 2. Hanaliitin 3. Vesiletku

HUOMAA: Liitäntä riippuu liitettävän vesihanan muodosta. Valmistelee tarkoitukseen soveltuva kaupallinen liitin.

HUOMAA: Jos käytät hanaliitintä, valmistelee toinen liitäntäholkki ja liitä se letkun toiseen päähän.

HUOMAA: Kun käytät vesipumppua, liitä vesiletku vesipumpun ohjeiden mukaisesti.

4. Paina liitäntäholkki vesiliittimeen niin, että lukittu kiinni naksauten.

- **Kuva13:** 1. Liitäntäholkki 2. Vesiliitin 3. Sulkuhana

HUOMAUTUS: Pidä sulkuhana suljettuna siihen asti, kun aloitat leikkauksen vedensyöttöä käyttämällä. Vedensyötön käyttöohjeet ovat työskentelyohjeiden osiossa.

TYÖSKENTELY

▲HUOMIO: Varmista, työkalupalle pysyy varmasti paikallaan käytön aikana asettamalla se tukevalla penkillä tai pöydällä.

▲HUOMIO: Älä kierrä tai pakota työkalua leikkauksen aikana, tai moottori saattaa ylikuormittua tai työkalu saattaa rikkoutua.

Leikkaaminen

▲HUOMIO: Älä nosta työkalua käytön aikana olkalinjaasi korkeammalle.

- **Kuva14**

Ota työkalusta pitävä ote. Tartu kahvaan oikealla kädellä ja etukahvaan vasemmalla kädellä. Jotta et saa sähköiskuja, jos leikkaat vahingossa sähköjohdon, pidä etukahvasta aina kiinni vain kuvaan merkitystä osasta.

- **Kuva15:** 1. Kiinni pidettävä osa

Liikuta työkalua työkalupalleen pinnalla tasaisesti, kunnes leikkaus on valmis. Pidä leikkulinja suorana ja etenemisnopeus tasaisena.

- **Kuva16**

HUOMAA: Jos akkupaketti on kylmä, työkalu ei ehkä toimi täydellä teholla. Silloin voit esimerkiksi käyttää työkalua kevyisiin tehtäviin, kunnes akkupaketti lämpenee huoneenlämpöiseksi. Sen jälkeen työkalua voidaan käyttää täydellä teholla.

HUOMAA: Jos timanttilaikan leikkuuteho alkaa heiketä, teroita laikan leikkausreunaa vanhaa pois heitettyä penkkihiomakoneen karheaa laikkaa tai betonilohkareita vasten. Teroita painamalla kevyesti timanttilaikan ulkoreunaan.

Vedensyöttö leikkauksen aikana

▲HUOMIO: Kun käytät märkäleikkauksen tarkoitettua timanttilaikkaa, käytä aina vedensyöttöä leikkauksen aikana.

Liitä työkalu vedensyöttöön ja käännä sulkuhanaa kuvaan merkityn nuolen suuntaisesti. Säädä vedentulo sopivaksi sulkuhanaa kääntämällä.

- **Kuva17:** 1. Sulkuhana

▲HUOMIO: Kun käytät vedensyöttöä, pidä työkalun kärki aina sen runkoa alempana, jotta työkalun mekanismeihin ei valu vettä. Muutoin käyttäjä saattaa saada sähköiskun.

- **Kuva18**

KUNNOSSAPITO

⚠️HUOMIO: Varmista aina ennen tarkastusta tai huoltoa, että työkalu on sammutettu ja akku irrotettu.

HUOMAUTUS: Älä koskaan käytä bensiiniä, ohenteita, alkoholia tai tms. aineita. Muutoin pinta voi halkeilla tai sen värit ja muoto voivat muuttua. Muutoin laitteeseen voi tulla värjäytymiä, muodon vääristymiä tai halkeamia.

Tuotteen TURVALLISUUDEN ja LUOTETTAVUUDEN takaamiseksi korjaukset, muut huoltotyöt ja säädöt on teetettävä Makitan valtuutetussa huoltopisteessä Makitan varaosia käyttäen.

Työkalun puhdistaminen

Poista akkupaketit ja irrota laikka aina käytön jälkeen, ja puhdista sitten kertynyt pöly, lika ja metallipalat laikansuojuksen sisäpinnalta. Puhdista työkalun runko pyyhkimällä pölyt ja lika pois kuivalla tai saippuavedellä kostutetulla ja nihkeäksi väännetyllä liinalla. Pyyhi lika lampun linssistä kuivalla liinalla. Varo naarmuttamasta lampun linssiä, ettei valoteho pienene.

► **Kuva19:** 1. Laikan suojus 2. Lampun linssi

Ilma-aukkojen puhdistaminen

Puhdista työkalun ilma-aukot säännöllisesti tai aina kun ne alkavat tukkeutua.

► **Kuva20:** 1. Ilmanvaihtoaukko

Synkronihinnan vaihtaminen

1. Irrota akkupaketit ja laikka.
2. Avaa kuusiokantapultit kuusiavoaimen kärjellä ja irrota kansi.
► **Kuva21:** 1. Hylsyavain 2. Kuusiokantapultti 3. Kansi
3. Paina akselin lukkopainiketta ja pidä sitä alhaalla, jotta suuri pylpyrä lukkiutuu, ja käännä sitten mutteria vastapäivään hylsyavoaimen ohuella päällä.
► **Kuva22:** 1. Suuri pylpyrä 2. Akselin lukkopainike
4. Paina akselin lukkopainiketta ja pidä sitä alhaalla, jotta suuri pylpyrä lukkiutuu, ja käännä sitten pientä kiekkoa vastapäivään hylsyavoaimen paksulla päällä, jotta synkronihinna löystyy.
► **Kuva23:** 1. Akselin lukkopainike 2. Suuri pylpyrä 3. Pieni kiekko
5. Irrota hihna.
6. Kun hinnan urat osoittavat sisäänpäin, kiinnitä hinnan toinen pää pieneen pylpyrään ja sitten hinnan toinen pää suureen pylpyrään.
► **Kuva24:** 1. Hihna 2. Suuri pylpyrä 3. Pieni pylpyrä

7. Paina akselin lukkopainiketta ja pidä sitä alhaalla, jotta suuri pylpyrä lukkiutuu, ja käännä sitten pientä kiekkoa myötäpäivään hylsyavoaimen paksulla päällä, jotta synkronihinna kiristyy.

► **Kuva25:** 1. Akselin lukkopainike 2. Suuri pylpyrä

HUOMAA: Varmista, että pieni kiekko on kuvan mukaisessa asennossa.

► **Kuva26:** 1. Pieni kiekko

8. Paina akselin lukkopainiketta ja pidä sitä alhaalla, jotta suuri pylpyrä lukkiutuu, ja käännä sitten mutteria myötäpäivään hylsyavoaimen ohuella päällä.

► **Kuva27:** 1. Akselin lukkopainike

HUOMAA: Kun kiristät mutteria, käytä kiristysvoimaa 19-21 N•m.

9. Kiinnitä kansi ja kiristä sitten kuusiokantapultit hylsyavoaimen kärjellä.

► **Kuva28:** 1. Hylsyavain 2. Kuusiokantapultti 3. Kansi

VIANMÄÄRITYS

Tarkista laite ensin itse, ennen kuin viet sen korjattavaksi. Jos ongelmaan ei löydy ratkaisua käyttöoppaasta, älä kuitenkaan yritä purkaa työkalua osiin. Vie ota sen sijaan yhteyttä Makita-huoltoilikkeeseen. Käytä korjaamiseen aina alkuperäisiä Makita-varaosia.

Epänormaali tila	Todennäköinen syy (toimintahäiriö)	Korjaus
Moottori ei käy.	Akkupaketteja ei ole asennettu.	Asenna kaksi akkupakettia paikoilleen. Tämä työkalu ei toimi vain yhdellä akkupaketilla.
	Akkuongelma (alijännite)	Lataa akku uudelleen. Jos lataaminen ei toimi tehokkaasti, vaihda akkupakettia.
	Vetojärjestelmä ei toimi oikein.	Pyydä valtuutettua huoltoilijettäsi korjaamaan laite.
Moottori pysähtyy lyhyen käytön jälkeen.	Akun varauksia on alhainen.	Lataa akku uudelleen. Jos lataaminen ei toimi tehokkaasti, vaihda akkupakettia.
	Ylikuumentuminen.	Lopeta työkalun käyttö ja anna sen jäähtyä.
Laikan pyörimisliike ei nopeudu oikein, vaikka työkalua käytetään kuormittamatta 20 sekunnin ajan.	Akkua ei ole asennettu oikein.	Asenna akkupaketit tässä käyttöoppaassa kuvatulla tavalla.
	Akun teho laskee.	Lataa akkupaketit uudelleen. Ellei uudelleenlataaminen auta, vaihda akkupaketti.
	Synkronihihna luistaa.	Vaihda synkronihihna uuteen.
	Vetojärjestelmä ei toimi oikein.	Pyydä valtuutettua huoltoilijettäsi korjaamaan laite.
Laikka ei pyöri: ⇒ pysäytä kone välittömästi!	Synkronihihna luistaa.	Vaihda synkronihihna uuteen.
	Vierasesine on jumittunut suojuksen ja laikan väliin.	Irrota akkupaketit ja poista sitten vierasesine.
	Vetojärjestelmä ei toimi oikein.	Pyydä valtuutettua huoltoilijettäsi korjaamaan laite.
Epänormaali ääninä: ⇒ pysäytä kone välittömästi!	Laikka on kiinnitetty väärin.	Asenna laikka tämän käsikirjan ohjeiden mukaan. Kiinnitä laikka tiukasti kiristämällä pultti.
	Vetojärjestelmä ei toimi oikein.	Pyydä valtuutettua huoltoilijettäsi korjaamaan laite.
Leikkutyökalua ja moottoria ei voi pysäyttää: ⇒ Poista akkupaketti välittömästi!	Sähköinen tai elektroninen toimintahäiriö.	Irrota akkupaketit ja pyydä valtuutettua huoltoilijettäsi korjaamaan ne.
Työkalu leikkaa heikosti	On aika vaihtaa laikka.	Vaihda laikka uuteen.
Liittimestä vuotaa vettä.	Vesi vuotaa O-rengasosasta.	Pyydä valtuutettua huoltoilijettäsi korjaamaan työkalu.

LISÄVARUSTEET

⚠HUOMIO: Seuraavia lisävarusteita tai laitteita suositellaan käytettäväksi tässä ohjeessa kuvatun Makita-tökalun kanssa. Muiden lisävarusteiden tai laitteiden käyttö voi aiheuttaa henkilövahinkoja. Käytä lisävarusteita ja -laitteita vain niiden käyttötarkoituksen mukaisesti.

Jos tarvitset apua tai yksityiskohtaisempia tietoja seuraavista lisävarusteista, ota yhteys paikalliseen Makitan huoltoon.

- Hiova katkaisulaikka
- Timanttilaikka
- Rengassarja
- Synkronihihna
- Liitäntäholkki
- Hylsyavain
- Aito Makitan akku ja laturi

HUOMAA: Jotkin luettelossa mainitut varusteet voivat sisältyä työkalun toimitukseen vakiovarusteina. Ne voivat vaihdella maittain.

SPECIFIKATIONER

Model:	CE001G
Skivediameter	355 mm
Maks. skivetykkelse	5,0 mm
Maks. skæredybde	127 mm
Mærkehastighed	5.300 min ⁻¹
Mærkespænding	D.C. 72 V - 80 V maks.
Maks. tilladt tryk for vandtilførsel	5,0 bar
Længde i alt	786 mm
Nettovægt	12,3 - 12,9 kg
Beskyttelsesgrad	IPX4

- På grund af vores kontinuerlige forsknings- og udviklingsprogrammer kan hosstående specifikationer blive ændret uden varsel.
- Specifikationer kan variere fra land til land.
- Vægten kan være anderledes afhængigt af tilbehøret, inklusive akkuen. Den letteste og tungeste kombination i henhold til EPTA-procedure 01/2014 er vist i tabellen.

Anvendelig akku og oplader

Akku	BL4040 / BL4050F* * : Anbefalet batteri
Oplader	DC40RA / DC40RB / DC40RC

- Nogle af de akkuer og opladere, der er angivet ovenfor, er muligvis ikke tilgængelige, afhængigt af hvilket område du bor i.

⚠ ADVARSEL: Brug kun de akkuer og opladere, der er angivet ovenfor. Brug af andre akkuer og opladere kan medføre personskaade og/eller brand.

Tilsigtet anvendelse

Denne maskine er beregnet til skæring i metalmaterialer med en slibende afskæringsskive og også murværksmaterialer med en diamantskive.

Lyd

Det typiske A-vægtede støjniveau bestemt i overensstemmelse med EN60745-2-22:

Lydtryksniveau (L_{pA}) : 109 dB (A)

Lydeffektniveau (L_{WA}) : 120 dB (A)

Usikkerhed (K): 3 dB (A)

BEMÆRK: De(n) angivne støjemissionsværdi(er) er målt i overensstemmelse med en standardtestmetode og kan anvendes til at sammenligne en maskine med en anden.

BEMÆRK: De(n) angivne støjemissionsværdi(er) kan også anvendes i en præliminær eksponeringsvurdering.

⚠ ADVARSEL: Bær høreværn.

⚠ ADVARSEL: Støjemissionen under den faktiske anvendelse af maskinen kan være forskellig fra de(n) angivne værdi(er), afhængigt af den måde hvorpå maskinen anvendes, især den type arbejdsemne der behandles.

⚠ ADVARSEL: Sørg for at identificere de sikkerhedsforskrifter til beskyttelse af operatøren, som er baseret på en vurdering af eksponering under de faktiske brugsforhold (med hensyntagen til alle dele i brugscykklussen, f.eks. de gange, hvor maskinen er slukket, og når den kører i tomgang i tilgift til afbrydertiden).

Vibration

Arbejdstilstand: skæring i beton

Venstre hånd		Højre hånd		Gældende standard
$a_{h,w}$ (m/s ²)	Usikkerhed K (m/s ²)	$a_{h,w}$ (m/s ²)	Usikkerhed K (m/s ²)	
≤ 2,5	1,5	≤ 2,5	1,5	EN60745-2-22

BEMÆRK: De(n) angivne totalværdi(er) for vibration er målt i overensstemmelse med en standardtestmetode og kan anvendes til at sammenligne en maskine med en anden.

BEMÆRK: De(n) angivne totalværdi(er) for vibration kan også anvendes i en præliminær eksponeringsvurdering.

⚠ ADVARSEL: Vibrationsemissionen under den faktiske anvendelse af maskinen kan være forskellig fra de(n) angivne værdi(er), afhængigt af den måde hvorpå maskinen anvendes, især den type arbejdsemne der behandles.

⚠ ADVARSEL: Sørg for at identificere de sikkerhedsforskrifter til beskyttelse af operatøren, som er baseret på en vurdering af eksponering under de faktiske brugsforhold (med hensyntagen til alle dele i brugscyklusen, f.eks. de gange, hvor maskinen er slukket, og når den kører i tilgang i tilgift til afbrydertiden).

EF-overensstemmelseserklæring

Kun for lande i Europa

EF-overensstemmelseserklæringen er inkluderet som Bilag A i denne brugsanvisning.

SIKKERHEDSADVARSLER

Almindelige sikkerhedsregler for el-værktøj

⚠ ADVARSEL: Læs alle de sikkerhedsadvarsler, instruktioner, illustrationer og specifikationer, der følger med denne maskine. Forsømmelse af at overholde alle nedenstående instruktioner kan medføre elektrisk stød, brand og/eller alvorlig personskade.

Gem alle advarsler og instruktioner til fremtidig reference.

Ordet "el-værktøj" i advarslerne henviser til det netforsynede (netledning) el-værktøj eller batteriforsynede (akku) el-værktøj.

Sikkerhedsadvarsler for akku skærer

1. **Den beskyttelsesskærm, der følger med værktøjet, skal monteres forsvarligt på værktøjet og placeres, så maksimal sikkerhed opnås, således at operatøren er udsat for den mindst mulige del af skiven. De selv og omkringstående må ikke stå i den roterende skives plan.** Beskyttelsesskærmen bidrager til at beskytte operatøren mod afbrækkede skivefragmenter og utilsigtet kontakt med skiven.
2. **Brug kun limede, forstærkede eller diamantafskæringsskiver til maskinen.** Selvom ekstraudstyret kan monteres på maskinen, kan sikker betjening ikke garanteres.
3. **Tilbehørets mærkehastighed skal mindst være den samme som den maksimale hastighed, som er angivet på værktøjet.** Tilbehørsdele, som kører hurtigere end deres mærkehastighed, kan brække og slynges bort.
4. **Skiver må kun anvendes til de anbefalede formål. For eksempel: Undlad at slibe med siden af afskæringsskiven.** Slibeafskæringsskiver er beregnet til perifer slibning, og hvis disse skiver udsættes for sidetryk, kan de gå i stykker.
5. **Anvend altid ubeskadigede skiveflanger, som har den rigtige diameter, til den valgte skive.** Korrekte skiveflanger understøtter skiven, hvilket reducerer risikoen for, at skiven brækker.
6. **Anvend ikke nedslidte forstærkede skiver fra større maskiner.** Skiver, som er beregnet til en større maskine, er ikke egnet til en mindre maskines højere hastighed og kan brække.
7. **Den udvendige diameter og tykkelsen på Deres tilbehør skal være inden for værktøjets kapacitetsnormering.** Tilbehør af forkert størrelse kan ikke beskyttes eller kontrolleres på tilstrækkelig vis.
8. **Skivernes og flangernes dornstørrelse skal passe nøjagtigt til maskinens spindel.** Skiver og flanger med dornhuller, som ikke passer til maskinens monteringsdele, vil køre ubalanceret, vibrere kraftigt og kan bewirke, at du mister herredømmet over maskinen.
9. **Anvend ikke beskadigede skiver.** Inden hver brug skal De efterse skiverne for hakker og revner. Hvis værktøjet eller skiven har været tabt, skal de efterses for beskadigelse, eller der skal monteres en ubeskadiget skive. Når skiven er efterset og monteret, skal De og eventuelle omkringstående stille Dem uden for den roterende skives plan og derefter lade værktøjet køre ved maksimal hastighed uden belastning i et minut. Beskadigede skiver vil normalt brække i løbet af denne testperiode.
10. **Anvend altid personligt beskyttelsesudstyr.** Afhængigt af arbejdets art skal De anvende ansigtsmaske, beskyttelsesbriller eller sikkerhedsbriller. Efter behov skal der anvendes støvmaske, hørevern, handsker og beskyttelsesforklæde, som er i stand til at stoppe små fragmenter fra slibeskiven eller arbejdsemnet. Øjenbeskyttelsen skal kunne stoppe flyvende partikler, som frembringes af forskellige betjening. Støvmasken eller åndedrætsværnet skal være i stand til at filtrere partikler, som frembringes under arbejdet. Længere tids udsættelse for støj af høj intensitet kan medføre høreskader.

11. **Sørg for at holde omkringstående på en sikker afstand af arbejdsområdet. Enhver person, som befinder sig i arbejdsområdet, skal bære personligt beskyttelsesudstyr.** Fragmenter fra arbejdsmønt eller fra en brækket skive kan slynges af og forårsage personskade uden for det umiddelbare arbejdsområde.
12. **Hold udelukkende maskinen i de isolerede grebflader, når der udføres et arbejde, hvor det skærende tilbehør kan komme i kontakt med skjulte ledninger.** Skæretilbehør, som kommer i kontakt med en strømførende ledning, kan gøre blottede metaldele på maskinen strømførende og udgøre en risiko for, at operatøren får elektrisk stød.
13. **Læg ikke værktøjet fra Dem, før tilbehøret er helt stoppet.** Den roterende skive kan gribe fat i overfladen og trække værktøjet ud af Deres herredømme.
14. **Lad ikke værktøjet køre, mens De bærer det ved siden.** Utilsigtet kontakt med det roterende tilbehør kan bevirke, at det griber fat i Deres tøj og trækker tilbehøret ind mod Deres krop.
15. **Rengør værktøjets ventilationsåbninger med jævnt mellemrum.** Motorens ventilator vil suge støv ind i huset, og en stor mængde akkumuleret metalstøv kan forårsage elektrisk fare.
16. **Anvend ikke værktøjet i nærheden af brændbare materialer.** Gnister kan antænde disse materialer.
4. **Vær særligt forsigtig ved arbejde på hjørner, skarpe kanter osv. Sørg for, at tilbehøret ikke hopper eller sætter sig fast.** Hjørner, skarpe kanter eller hoppen har en tendens til at fastklemme det roterende tilbehør med tab af kontrol eller tilbageslag til følge.
5. **Lad være med at montere en savkæde, en træskæreklinge, en segmenteret diamantskive med et perifert mellemrum på mere end 10 mm eller en savklinge med tænder.** Sådanne klinger er ofte årsag til tilbageslag og tab af herredømmet.
6. **Vær påpasselig med ikke at "klemme" skiven eller udsætte den for et ekstremt tryk. Forsøg ikke at udføre en for dyb skæring.** Overbelastning af skiven øger belastningen og sandsynligheden for, at skiven vrækker eller binder i snittet, samt risiko for tilbageslag, eller at skiven brækker.
7. **Hvis skiven binder, eller hvis en skæring af en eller anden grund afbrydes, skal De slukke for værktøjet og holde det stille, indtil det er stoppet helt. Forsøg aldrig at fjerne skiven fra snittet, mens skiven er i bevægelse, da dette kan medføre tilbageslag.** Tag bestik af situationen, og foretag det nødvendige for at eliminere årsagen til, at skiven binder.
8. **Påbegynd ikke skæreoperationen igen i arbejdsmønt. Lad skiven komme op på fuld hastighed, og gå derefter forsigtigt ind i snittet igen.** Skiven kan binde, bevæge sig opad eller slå tilbage, hvis værktøjet startes igen, mens det befinder sig i arbejdsmønt.

Tilbageslag og relaterede advarsler

Tilbageslag er en pludselig reaktion på en fastklemt eller blokeret roterende skive. Fastklemning eller blokering medfører, at den roterende skive pludseligt stopper, hvilket igen bevirker, at det ukontrollerede værktøj tvinges i den modsatte retning af skivens rotation på det punkt, hvor den sidder fast.

Hvis for eksempel en slibeskive er blokeret eller fastklemt af arbejdsmønt, kan kanten på skiven, som går ind i fastklemningspunktet, grave sig ind i materialets overflade og derved bevirke, at skiven kommer ud eller presses ud. Skiven kan enten slynges mod eller bort fra operatøren, afhængigt af retningen af skivens bevægelse på fastklemningspunktet. Slibeskiver kan også brække under disse forhold. Tilbageslag er et resultat af misbrug og/eller fejlagtig brug af værktøjet eller ukorrekte brugsforhold og kan undgås ved, at man tager de rigtige forholdsregler som anvist herunder.

1. **Hold godt fast i værktøjet, og indtag en stilling med kroppen og armen, således at De kan modstå tilbageslagskraften. Anvend altid hjælpehåndtaget, hvis et sådant forefindes, til at opnå den maksimale kontrol med tilbageslag eller torsionsreaktion under starten.** Operatøren kan kontrollere torsionsreaktionen og tilbageslagskraften, hvis de rette forholdsregler tages.
2. **Anbring ikke hånden i nærheden af det roterende tilbehør.** Tilbehøret kan slå tilbage hen over hånden.
3. **Stil Dem ikke på linje med den roterende skive.** Et tilbageslag vil slynge værktøjet i den modsatte retning af skivens bevægelse ved blokeringspunktet.

9. **Understøt paneler eller store arbejdsemner for at minimere risikoen for, at skiven binder, og der opstår tilbageslag.** Store arbejdsemner har tendens til at synke under deres egen vægt. Støtteanordninger skal anbringes under arbejdsmønt i nærheden af snittet og nær kanten på arbejdsmønt på begge sider af skiven.
10. **Udvis ekstra forsigtighed, når der laves et "lommensnit" i eksisterende vægge eller i andre blinde områder.** Den udragende skive kan komme til at skære i gas- eller vandrør, elektriske ledninger eller genstande, som kan forårsage tilbageslag.

Supplerende sikkerhedsadvarsler:

1. **Inden anvendelse af en segmenteret diamantskive skal De sørge for, at diamantskiven har et perifert mellemrum mellem segmenterne på 10 mm eller derunder, kun med en negativ rivevinkel.**
2. **Forsøg aldrig at skære med værktøjet holdt på hovedet i en skruestik. Dette kan medføre alvorlige ulykker, da det er yderst farligt.**
3. **Nogle materialer indeholder kemikalier, som kan være giftige. Vær påpasselig med at forhindre indånding af støv samt huddkontakt. Følg materialeleverandørens sikkerhedsdata.**
4. **Opbevar skiverne i henhold til fabrikantens anbefalinger. Fejlagtig opbevaring kan beskadige skiverne.**
5. **Anvend altid den skive som passer til dit arbejde, og det materiale som skal skæres.**
6. **Undersøg det materiale som skal skæres inden skæring.** Hvis materialet indeholder eksplosive eller brandbare materialer, kan det muligvis medføre en eksplosion eller brand.

7. Tænd ikke for maskinen, hvis der sidder et fremmedlegeme fast mellem beskyttelses-skærmen og skiven. I dette tilfælde skal du afmontere akkuen og fjerne fremmedlegemet.
8. Brug skruetvinger eller lignende til at understøtte arbejdsemnet, når som helst det er muligt.
9. Brug altid høreværn under arbejdet.
10. Skær ikke i træmaterialer med denne maskine.
11. Den udvendige diameter og skivetykkelsen skal ligge inden for maskinens kapacitetsangivelse. Forkert dimensionerede skiver kan ikke beskyttes eller kontrolleres tilstrækkeligt.
12. Når du betjener maskinen, skal du opretholde et fast greb med begge hænder på maskinen og placere din krop og arm, så du kan modstå tilbageslagskræfter.
13. Hold hænderne eller ansigtet væk fra den roterende skive.
14. Juster hjuldækslet til en position, der er egnet til dit arbejde.
15. Vær opmærksom på dit fodfæste, når du bruger maskinen på mudret jord, en våd skrånning eller et glat sted.
16. Undlad at nedsænke maskinen i en vandpyt.
17. Efterlad ikke maskinen uden opsyn udendørs i regnvejr.
18. Undlad at udskifte batteriet i regnvejr.
19. Undgå direkte sollys og regn ved opbevaring af maskinen, og opbevar den på et sted, hvor det ikke bliver varmt eller fugtigt.

GEM DISSE FORSKRIFTER.

⚠ ADVARSEL: LAD IKKE bekvemmelighed eller kendskab til produktet (opnået gennem gentagen brug) forhindre, at sikkerhedsforskrifterne for produktet nøje overholdes. MISBRUG eller forsummelse af at følge de i denne brugsvejledning givne sikkerhedsforskrifter kan medføre alvorlig personskade.

Vigtige sikkerhedsinstruktioner for akkuen

1. Læs alle instruktioner og advarselmærkater på (1) akku-opladeren, (2) akkuen og (3) produktet, som anvender akku.
2. Adskil eller ændr ikke akkuen. Det kan muligvis resultere i en brand, overdreven varme eller eksplosion.
3. Hold straks op med anvendelsen, hvis brugstiden er blevet stærkt afkortet. Fortsat anvendelse kan resultere i risiko for overophedning, forbrændinger og endog eksplosion.
4. Hvis De har fået elektrolytvæske i øjnene, skal De straks skylle den ud med rent vand og derefter øjeblikkeligt søge lægehjælp. I modsat fald kan De miste synet.
5. Vær påpasselig med ikke at komme til at kortslutte akkuen:
 - (1) Rør ikke ved terminalerne med noget ledende materiale.
 - (2) Undgå at opbevare akkuen i en beholder sammen med andre genstande af metal, for eksempel søm, mønter og lignende.
 - (3) Udsæt ikke akkuen for vand eller regn.

- Kortslutning af akkuen kan forårsage en kraftig øgning af strømmen, overophedning, mulige forbrændinger og endog værktøjstop.
6. Opbevar og brug ikke maskinen og akkuen på steder, hvor temperaturen muligvis kan nå eller overstige 50 °C.
7. Lad være med at brænde akkuen, selv ikke i tilfælde, hvor den har lidt alvorlig skade eller er fuldstændig udtjent. Akkuen kan eksplodere, hvis man forsøger at brænde den.
8. Slå ikke søm i, skær ikke i, knus, kast, tab ikke akkuen og stød ikke akkuen mod en hård genstand. Sådant adfærd kan muligvis resultere i en brand, overdreven varme eller eksplosion.
9. Anvend ikke en beskadiget akku.
10. De indbyggede litium-ion-batterier er underlagt lovkrav vedrørende farligt gods. Ved kommerciel transport, f.eks. af tredjeparts transportselskaber, skal særlige krav til forpakning og mærkning overholdes. Ved forberedelse af udstyret til forsendelse skal du kontakte en ekspert i farligt gods. Overhold også eventuel mere detaljeret national lovgivning. Tape eller tildæk åbne kontakter, og pak batteriet på en måde, så det ikke kan flytte sig rundt i pakningen.
11. Når akkuen bortskaftes, skal du fjerne den fra maskinen og bortskaft den på et sikkert sted. Følg de lokale love vedrørende bortskaftelsen af batterier.
12. Brug kun batterierne med de produkter, som Makita specificerer. Hvis batterierne installeres i ikke-kompatible produkter, kan det medføre brand, kraftig varme, eksplosion eller udsivning af elektrolyt.
13. Hvis maskinen ikke skal bruges i længere tid ad gangen, skal du fjerne batteriet fra maskinen.
14. Akkuen kan muligvis under og efter brug være varm, hvilket kan forårsage forbrændinger eller lavtemperaturforbrændinger. Vær påpasselig med håndtering af varme akkuer.
15. Rør ikke terminalen på maskinen straks efter brug, da den bliver varm nok til at forårsage forbrændinger.
16. Sørg for, at spåner, støv eller jord ikke sætter sig fast i akkuens terminaler, huller og riller. Det kan forårsage opvarmning, antændelse, sprængning og funktionsfejl i maskinen eller akkuen, hvilket kan medføre forbrændinger eller personskade.
17. Medmindre maskinen understøtter brugen i nærheden af elektriske højspændingsledninger, skal du ikke anvende akkuen i nærheden af elektriske højspændingsledninger. Det kan muligvis medføre funktionsfejl på eller nedbrud af maskinen eller akkuen.
18. Opbevar batteriet utilgængeligt for børn.

GEM DENNE BRUGSANVISNING.

⚠ FORSIGTIG: Brug kun originale batterier fra Makita. Brug af uoriginale Makita-batterier, eller batterier som er blevet ændret, kan muligvis medføre brud på batteriet, hvilket kan forårsage brand, personskade eller beskadigelse. Det ugyldiggør også Makita-garantien for Makita-maskinen og opladeren.

Tips til opnåelse af maksimal akku-levetid

1. Oplad akkuen, inden den er helt afladet. Stop altid værktøjet, og oplad akkuen, hvis De bemærker, at værktøjeffekten er aftagende.
2. Genoplad aldrig en fuldt opladet akku. Overoplading vil afkorte akkuens levetid.

3. Oplad akkuen ved stuetemperatur ved 10 °C - 40 °C. Lad altid en varm akku få tid til at køle af, inden den oplades.
4. Når du ikke anvender akkuen, skal du fjerne den fra maskinen eller opladeren.
5. Oplad akkuen, hvis De ikke skal bruge den i længere tid (mere end seks måneder).

BESKRIVELSE AF DELENE

► Fig.1

1	Slibende afskærings-skive / diamantskive	2	Beskyttelsesskærm	3	Hjuldækselgreb	4	Forreste greb
5	Lampe	6	Akku	7	Låseknop	8	Hjul
9	Aksellåseknop	10	Dæksel (til kilerem)	11	Hane	12	Indløb til vand
13	Håndtag	14	Afbryderknop	15	Lampeknop	16	Overbelastningsindikator
17	Samlingsmuffe	18	Topnøgle	-	-	-	-

FUNKTIONSBESKRIVELSE

⚠FORSIGTIG: Sørg altid for at maskinen er slukket, og at akkuen er taget ud, før der udføres justering eller kontrol af funktioner på maskinen.

Isætning eller fjernelse af akkuen

⚠FORSIGTIG: Sluk altid for værktøjet, før De monterer eller fjerner akkuen.

⚠FORSIGTIG: Hold værktøjet og akkuen fast ved montering eller fjernelse af akkuen. Hvis De ikke holder værktøjet og akkuen fast, kan de glide ud af hænderne på Dem og forårsage beskadigelse af værktøjet og akkuen eller personskade.

For at montere akkuen skal du justere tungen på akkuen med rillen i huset og skubbe den på plads. Sæt den hele vejen ind, indtil den låses på plads med et lille klik. Hvis du kan se den røde indikator på oversiden af knappen, er den ikke låst helt fast.

► Fig.2: 1. Rød indikator 2. Knap 3. Akku

For at fjerne akkuerne skal du løfte akkuen, mens du trykker på knappen foran på akkuen.

⚠FORSIGTIG: Monter altid akkuen helt, indtil den røde indikator ikke længere er synlig. Hvis dette ikke gøres, kan den falde ud af værktøjet ved et uheld, hvorved De selv eller personer i nærheden kan komme til skade.

⚠FORSIGTIG: Brug ikke magt ved montering af akkuen. Hvis akkuen ikke glider på plads uden problemer, betyder det, at den ikke sættes i på korrekt vis.

BEMÆRK: Maskinen fungerer ikke med kun én akku.

Indikation af den resterende batteriladning

Tryk på kontrolknappen på akkuen for at få vist den resterende batteriladning. Indikatorlampen lyser i nogle sekunder.

► Fig.3: 1. Indikatorlamper 2. Kontrolknop

Indikatorlamper			Resterende ladning
Tændt	Slukket	Blinker	
■ ■ ■ ■			75% til 100%
■ ■ ■ □			50% til 75%
■ ■ □ □			25% til 50%
■ □ □ □			0% til 25%
▣ □ □ □			Genoplad batteriet.
■ ■ □ □			Der er muligvis fejl i batteriet.
□ □ ■ ■			

BEMÆRK: Afhængigt af brugsforholdene og den omgivende temperatur kan indikationen afvige en smule fra den faktiske ladning.

BEMÆRK: Den første indikatorlampe (længst mod venstre) vil blinke, når batteribeskyttelsessystemet aktiveres.

Beskyttelsessystem til værktøj/ batteri

Værktøjet er forsynet med et beskyttelsessystem til værktøj/batteri. Dette system afbryder automatisk strømmen til motoren for at forlænge levetiden for værktøjet og batteriet. Værktøjet stopper automatisk under driften, hvis det eller batteriet kommer i en af følgende situationer. I nogle tilfælde lyser indikatorerne.

Overbelastningsbeskyttelse

Hvis maskinen/batteriet bruges på en måde, der får den/det til at trække en unormalt høj strøm, stopper maskinen automatisk. Sluk i så fald for maskinen, og ophør med den anvendelse, som medførte, at maskinen blev overbelastet. Tænd derefter for maskinen for at starte den igen.

Beskyttelse mod overophedning

Når maskinen/batteriet er overophedet, stopper maskinen automatisk, og lampen blinker. I denne situation skal du lade maskinen køle ned, før du tænder for maskinen igen.

Beskyttelse mod afladning

Når batteriladningen bliver lav, stopper maskinen automatisk, og indikatorlampen på akkuen blinker. Hvis maskinen ikke fungerer, selvom kontakterne betjenes, skal du afmontere batterierne fra maskinen og oplade batterierne.

Beskyttelse mod andre årsager

Beskyttelsessystemet er også designet til andre årsager, der kan beskadige maskinen og gør det muligt for maskinen at stoppe automatisk. Træf alle følgende foranstaltninger for at fjerne årsagerne, når maskinen midlertidigt er blevet bragt til standsning eller stoppet i drift.

1. Sluk for maskinen, og tænd den igen for at genstarte.
2. Oplad batteriet/batterierne, eller udskift det/dem med genopladet/genopladede batteri/batterier.
3. Lad maskinen og batteriet/batterierne køle af.

Hvis der ikke kan findes nogen forbedring ved at gen-danne beskyttelsessystemet, skal det lokale Makita-servicecenter kontaktes.

BEMÆRKNING: Hvis maskinen stopper på grund af en årsag, der ikke er beskrevet ovenfor, henvises der til afsnittet om fejlfinding.

Advarsel om overbelastning

Hvis maskinen anvendes ved for stor belastning, blinker overbelastningsindikatoren rødt. Reducer i denne situation belastningen på maskinen. Indikatoren holder derefter op med at blinke.

► **Fig.4:** 1. Overbelastningsindikator

Afbryderbetjening

⚠ ADVARSEL: Inden akkuen sættes i maskinen, bør De altid kontrollere, at afbryderknappen fungerer korrekt, og returnerer til "OFF"-positionen, når den slippes.

⚠ ADVARSEL: Deaktivér ALDRIG lås fra-knappen ved at holde den nede med tape eller på andre måder. En afbryder med en deaktiveret lås fra-knap kan medføre utilsigtet brug og alvorlig personskade.

⚠ ADVARSEL: Brug ALDRIG værktøjet, hvis det kører, når De blot trækker afbryderknappen uden at trykke på lås fra-knappen. En afbryder, der behøver at blive repareret, kan medføre utilsigtet funktion og alvorlig personskade. Returnér værktøjet til et Makita servicecenter for korrekt reparation, FØR det anvendes igen.

For at forhindre utilsigtet tryk på afbryderknappen er maskinen udstyret med en lås fra-knap. Maskinen startes ved at trykke lås fra-knappen ned og trykke på afbryderknappen. Slip afbryderknappen for at stoppe.

► **Fig.5:** 1. Afbryderknap 2. Lås fra-knap

BEMÆRKNING: Undlad at trække hårdt i afbryderknappen uden at trykke på lås fra-knappen. Dette kan ødelægge afbryderen.

Tænding af lampen

⚠ FORSIGTIG: Kig aldrig direkte på lyskilden. Lad ikke lyset falde i Deres øjne.

For at tænde for lampen skal du trykke på lampeknap-pen. For at slukke skal du trykke på lampeknappen igen.

► **Fig.6:** 1. Lampeknap 2. Lampe

BEMÆRK: Lampen slukkes automatisk, hvis der ikke er nogen betjening af maskinen i et minut.

Justering af hjuldækslet

Hold i hjuldækselgrebet, og juster placeringen af hjuldækslet, så det passer til dit arbejde.

► **Fig.7:** 1. Hjuldækselgreb

Teknologi til aktiv registrering af feedback

Maskinen registrerer elektronisk situationer, hvor skiven kan risikere at blive bundet. I denne situation slukkes maskinen for at forhindre yderligere rotation af spindlen (det forhindrer ikke tilbageslag).

For at genstarte maskinen skal man først slukke for maskinen, eliminere årsagen til det pludselige fald i rotationshastighed og derefter tænde for maskinen.

Elektrisk bremse

Den elektriske bremse aktiveres, når der slukkes for maskinen.

Bremsen fungerer ikke, når strømforsyningen afbrydes, for eksempel hvis akkuen fjernes ved en fejltagelse, mens kontakten stadig er til.

SAMLING

⚠FORSIGTIG: Sørg altid for at maskinen er slukket, og at akkuen er taget ud, før der udføres noget arbejde på maskinen.

Montering eller afmontering af slibende afskæringsskive / diamantskive

⚠FORSIGTIG: Anvend kun Makita-skruenøglen til at montere eller afmontere skiven.

⚠FORSIGTIG: Sørg for at skrue bolten godt fast ved montering af skiven.

⚠FORSIGTIG: Tryk aldrig på aksellåseknappen, når skiven roterer.

For at afmontere skiven skal du trykke på aksellåseknappen og dreje skiven, indtil skiven ikke kan dreje længere. Mens aksellåsen er helt låst, skal du dreje sekskantboltens mod uret ved hjælp af topnøglen. Derefter afmonteres sekskantbolt, flangen, skiven, ringen og flangen i rækkefølge.

► **Fig.8:** 1. Aksellåseknop 2. Topnøgle 3. Tilspænd 4. Løsn

► **Fig.9:** 1. Sekskantbolt 2. Flange 3. Ring 4. Slibende afskæringsskive / diamantskive 5. Pil (skivens rotationsretning)

Følg proceduren til afmontering i omvendt rækkefølge for at montere skiven.

SØRG FOR AT STRAMME SEKSKANTBOLTEN GODT TIL.

⚠FORSIGTIG: Monter altid skiven, så pilen på den peger i samme retning som pilen på beskyttelsesskærmen. Ellers kan skiven rotere baglæns og forårsage personskade.

⚠FORSIGTIG: Brug kun den skive, der er mærket med en hastighed svarende til eller større end den hastighed, der er angivet på maskinen.

BEMÆRK: Når du monterer skiven, skal du sørge for at fastgøre flangerne, så den flade side af flangen vender mod skiven, og fastgøre ringen, der svarer til skivens indre diameter.

► **Fig.10:** 1. Sekskantbolt 2. Flange 3. Ring 4. Slibende afskæringsskive / diamantskive

Tilslutning til vandforsyning

1. Forbered en vandslange.
2. Fjern møtrikken på samlingsmuffen, og før vandslangen gennem møtrikken. Sæt enden af slangen i samlingsmuffen, og stram derefter møtrikken.

► **Fig.11:** 1. Vandslange 2. Møtrik på samlingsmuffen 3. Samlingsmuffe

3. Tilslut vandslangen til vandforsyningen.

Når du tilslutter til vandhane, skal du anvende en egnet fitting som fx et slangebånd eller vandhanesamling.

► **Fig.12:** 1. Slangebånd 2. Vandhanesamling 3. Vandslange

BEMÆRK: Fittingen afhænger af formen på den vandhane, du tilkobler til. Forbered en passende kommercielt tilgængelig fitting.

BEMÆRK: Hvis du anvender en vandhanesamling, skal du klargøre en ekstra samlingsmuffe og koble den til den anden ende af slangen.

BEMÆRK: Når du anvender en vandpumpe, skal du følge instruktionerne til din vandpumpe for at tilslutte vandslangen.

4. Tryk samlingsmuffen ind i indløbet til vand, indtil den låses med et klik.

► **Fig.13:** 1. Samlingsmuffe 2. Indløb til vand 3. Hane

BEMÆRKNING: Hold hansen lukket, indtil du begynder at skære med vandtilførsel. Angående hvordan der tilføres vand, skal du se afsnittet om betjeningen.

ANVENDELSE

⚠FORSIGTIG: Sørg for at holde arbejdsemnet fast nede på en stabil arbejdsbænk eller et stabilt bord under arbejdet.

⚠FORSIGTIG: Undlad at vrikke maskinen eller at bruge magt på den i snittet, da motoren ellers kan blive overbelastet, eller arbejdsemnet kan brække.

Skæring

⚠FORSIGTIG: Under betjening skal du ikke bringe maskinen højere end skulderhøjde.

► **Fig.14**

Hold godt fast i maskinen. Tag fat i håndtaget med højre hånd og det forreste greb med venstre hånd. For at forhindre elektrisk stød ved utilsigtet skæring af et elkabel, skal du altid holde det forreste greb i den angivne del som vist på figuren.

► **Fig.15:** 1. Del, du skal holde på

Flyt maskinen hen over arbejdsemnets overflade, idet den holdes fladt og flyttes jævnt frem, indtil skæringen er færdig. Hold skærelinjen lige, og flyt fremad med jævn hastighed.

► **Fig.16**

BEMÆRK: Hvis temperaturen af akkuen er lav, fungerer maskinen muligvis ikke ved fuld kapacitet. På dette tidspunkt kan du f.eks. bruge maskinen til et let snit i et stykke tid, indtil akkuen er varmet op til stuetemperatur. Maskinen kan derefter fungere ved fuld kapacitet.

BEMÆRK: Hvis diamantskivens skæring aftager, skal du slibe skivens skærekant med en gammel og udtjent, grovkornet bænkslibeskive eller en betonklods. Slib ved at trykke let mod diamantskivens ydre kant.

Når der tilføres vand under skæring

⚠FORSIGTIG: Når der anvendes en diamantskive af våd typen, skal du altid tilføre vand under skæring.

Tilslut maskinen til vandforsyningen og drej hanen i pilens retning som illustreret. Juster positionen af hanen så der opnås en stille vandstrøm.

► Fig.17: 1. Hane

⚠FORSIGTIG: Når der tilføres vand, skal du altid holde maskinens hoved lavere end maskinen for at forhindre, at der trænger vand ind i maskinens mekanisme. Hvis du ikke gør dette, kan det muligvis medføre elektrisk stød.

► Fig.18

VEDLIGEHOLDELSE

⚠FORSIGTIG: Vær altid sikker på, at værktøjet er slukket, og at akkuen er taget ud, inden De begynder at udføre inspektion eller vedligeholdelse.

BEMÆRKNING: Anvend aldrig benzin, rensebenzin, fortynder, alkohol og lignende. Det kan medføre misfarvning, deformation eller revner.

For at opretholde produktets SIKKERHED og PÅLIDELIGHED må reparation, vedligeholdelse eller justering kun udføres af et autoriseret Makita servicecenter eller fabrikksservicecenter med anvendelse af Makita reservedele.

Rengøring af maskinen

Efter hver brug afmonteres akkuerne og skiven, og rengøres derefter for støv, snavs eller metalspåner, som har ophobet sig inde i beskyttelsesskærmen. Rengør maskinkroppen ved at aftørre støv, snavs med en tør klud eller en klud dyppet i sæbevand og vredet. Brug en tør klud til at tørre snavsset af lampens linse. Pas på ikke at ride lampens linse, da dette muligvis kan dæmpe belysningen.

► Fig.19: 1. Beskyttelsesskærm 2. Lampens linse

Rengøring af ventilationsåbningen

Rengør maskinens ventilationsåbninger med jævne mellemrum eller når ventilationsåbningerne begynder at blive tilstoppede.

► Fig.20: 1. Ventilationsåbning

Udskiftning af synkronbæltet

1. Afmonter akkuerne og skiven.
2. Løsn boltene med indvendig sekskant ved hjælp af spidsen på topnøglen, og afmonter derefter dækslet.
► Fig.21: 1. Topnøgle 2. Bolt med indvendig sekskant 3. Dæksel

3. Skub aksellåseknappen ind, og hold den nede for at låse den store remskive, og drej derefter møtrikken mod uret ved hjælp af den tynde ende af topnøglen.

► Fig.22: 1. Stor remskive 2. Aksellåseknap

4. Skub aksellåseknappen ind, og hold den nede for at låse den store remskive, og drej derefter den lille skive mod uret ved hjælp af den tykke ende af topnøglen for at løsne synkronbæltet.

► Fig.23: 1. Aksellåseknap 2. Stor remskive 3. Lille skive

5. Afmonter bæltet.

6. Med rillerne på bæltet indeni fastgøres den ene ende af bæltet til den lille remskive, og derefter fastgøres den anden ende af bæltet til den store remskive.

► Fig.24: 1. Bælte 2. Stor remskive 3. Lille remskive

7. Skub aksellåseknappen ind, og hold den nede for at låse den store remskive, og drej derefter den lille skive med uret ved hjælp af den tykke ende af topnøglen for at tilspænde bæltet.

► Fig.25: 1. Aksellåseknap 2. Stor remskive

BEMÆRK: Sørg for, at den lille skive er i den position, der vises på figuren.

► Fig.26: 1. Lille skive

8. Skub aksellåseknappen ind, og hold den nede for at låse den store remskive, og drej derefter møtrikken med uret ved hjælp af den tynde ende af topnøglen.

► Fig.27: 1. Aksellåseknap

BEMÆRK: Når møtrikken tilspændes, påføres 19 - 21 N•m som tilspændingsmoment.

9. Fastgør dækslet, og tilspænd derefter boltene med indvendig sekskant ved hjælp af spidsen af topnøglen.

► Fig.28: 1. Topnøgle 2. Bolt med indvendig sekskant 3. Dæksel

FEJLFINDING

Udfør selv en inspektion, inden De anmoder om reparation. Hvis De opdager et problem, som ikke er forklaret i brugsanvisningen, må De ikke forsøge at adskille maskinen. Rådfør Dem i stedet med et autoriseret Makita Servicecenter, og brug altid originale Makita udskiftningsdele til reparationer.

Unormal tilstand	Sandsynlig årsag (fejl)	Afhjælpning
Motoren kører ikke.	Akkuerne er ikke indsat.	Installer to akkuer. Maskinen fungerer ikke med én akku.
	Problem med batteriet (for lav spænding)	Genoplad batteriet. Udskift akkuen, hvis genopladning ikke løser problemet.
	Drevsystemet fungerer ikke korrekt.	Kontakt det lokale autoriserede servicecenter for reparation.
Motoren holder op med at køre efter kort tids brug.	Batteriets opladningsniveau er for lavt.	Genoplad batteriet. Udskift akkuen, hvis genopladning ikke løser problemet.
	Overophedning.	Hold op med at bruge maskinen, så den kan køle ned.
Skiverotationen accelererer ikke ordentligt, selv efter maskinen har kørt i 20 sekunder uden belastning.	Batteriet er indsat forkert.	Monter akkuerne som beskrevet i denne brugervejledning.
	Batteriladningen falder.	Genoplad akkuerne. Hvis genopladningen ikke er effektiv, skal akkuen udskiftes.
	Synkronbæltet glider.	Udskift synkronbæltet med et nyt.
	Drevsystemet fungerer ikke korrekt.	Kontakt det lokale autoriserede servicecenter for reparation.
Skiven roterer ikke: ⇒ Stop maskinen med det samme!	Synkronbæltet glider.	Udskift synkronbæltet med et nyt.
	Et fremmedlegeme sidder fast mellem beskyttelseskærmen og skiven.	Afmonter akkuerne, og fjern derefter fremmedlegemet.
	Drevsystemet fungerer ikke korrekt.	Kontakt det lokale autoriserede servicecenter for reparation.
Unormal vibration: ⇒ Stop maskinen med det samme!	Fejlagtig montering af skiven.	Monter skiven som instrueret i denne brugsanvisning. Tilspænd boltene for at fastgøre skiven ordentligt.
	Drevsystemet fungerer ikke korrekt.	Kontakt det lokale autoriserede servicecenter for reparation.
Skæreværktøjet og motoren kan ikke stoppe: ⇒ Fjern akkuen med det samme!	Elektrisk eller elektronisk fejlfunktion.	Afmonter akkuerne, og anmod det lokale autoriserede servicecenter om reparation.
Dårlig skærefunktion	Det er tid til at udskifte skiven.	Udskift skiven med en ny.
Der lækker vand fra indløbet.	Der lækker vand fra O-ringsdelen.	Kontakt det lokale autoriserede servicecenter for reparation.

EKSTRAUDSTYR

⚠️FORSIGTIG: Det følgende tilbehør og ekstraudstyr er anbefalet til brug med Deres Makita maskine, der er beskrevet i denne brugsanvisning. Anvendelse af andet tilbehør eller ekstraudstyr kan udgøre en risiko for personskade. Anvend kun tilbehør og ekstraudstyr til det beskrevne formål.

Hvis De behøver hjælp ved valg af tilbehør eller ønsker yderligere informationer, bedes De kontakte Deres lokale Makita servicecenter.

- Slibende afskæringsskive
- Diamantskive
- Ringsæt
- Synkronbælte
- Samlingsmuffe
- Topnøgle
- Original Makita-akku og oplader

BEMÆRK: Nogle ting på denne liste kan være inkluderet i værktøjspakken som standardtilbehør. Det kan være forskellige fra land til land.

SPECIFIKĀCIJAS

Modelis:	CE001G
Ripas diametrs	355 mm
Maks. ripas biezums	5,0 mm
Maks. griešanas dziļums	127 mm
Nominālais ātrums	5 300 min ⁻¹
Nominālais spriegums	Līdzstrāva 72 V–80 V maks.
Maks. atļautais ūdens padeves spiediens	5,0 bāri
Kopējais garums	786 mm
Neto svars	12,3-12,9 kg
Aizsardzības pakāpe	IPX4

- Nepārtrauktās izpētes un izstrādes programmas dēļ šeit uzrādītās specifikācijas var tikt mainītas bez brīdinājuma.
- Atkarībā no valsts specifikācijas var atšķirties.
- Svars var būt atšķirīgs atkarībā no papildierīces(-ēm), tostarp akumulatora kasetnes. Tabulā ir attēlota vieglākā un smagākā kombinācija atbilstoši EPTA procedūrai 01/2014.

Piemērotā akumulatora kasetne un lādētājs

Akumulatora kasetne	BL4040 / BL4050F* *: ieteicamais akumulators
Lādētājs	DC40RA / DC40RB / DC40RC

- Daži no iepriekš norādītajiem lādētājiem un akumulatora kasetnēm var nebūt pieejami atkarībā no jūsu mītnes reģiona.

▲BRĪDINĀJUMS: Izmantojiet vienīgi iepriekš norādītās akumulatora kasetnes un lādētājus. Cita tipa akumulatora kasetņu un lādētāju izmantošana var radīt traumu un/vai aizdegšanās risku.

Paredzētā lietošana

Šis darbarīks ir paredzēts metāla materiālu griešanai, izmantojot abrazīvo griešanas ripu, kā arī mūra materiālu griešanai, izmantojot dimanta ripu.

Trokšņa līmenis

Tipiskais A svērtais trokšņa līmenis noteikts saskaņā ar EN60745-2-22:

Skaņas spiediena līmenis (L_{pA}): 109 dB (A)

Skaņas jaudas līmenis (L_{WA}): 120 dB (A)

Mainīgums (K): 3 dB (A)

PIEZĪME: Paziņotā trokšņa emisijas vērtība noteikta atbilstoši standarta pārbaudes metodei, un to var izmantot, lai salīdzinātu vienu darbarīku ar citu.

PIEZĪME: Paziņoto trokšņa emisijas vērtību arī var izmantot iedarbības sākotnējā novērtējumā.

▲BRĪDINĀJUMS: Lietojiet ausu aizsargus.

▲BRĪDINĀJUMS: Trokšņa emisija patiesos darba apstākļos var atšķirties no paziņotās vērtības atkarībā no darbarīka izmantošanas veida un jo īpaši atkarībā no apstrādājamā materiāla veida.

▲BRĪDINĀJUMS: Lai aizsargātu lietotāju, nosakiet drošības pasākumus, kas pamatoti ar iedarbību reālos darba apstākļos (ņemot vērā visus ekspluatācijas cikla posmus, piemēram, laiku, kamēr darbarīks ir izslēgts un kad darbojas tukšgaitā, kā arī palaides laiku).

Vibrācija

Darba režīms: betona griešana

Kreisā roka		Labā roka		Piemērojamie standarti
$a_{h,w}$ (m/s^2)	Nenoteiktība K (m/s^2)	$a_{h,w}$ (m/s^2)	Nenoteiktība K (m/s^2)	
$\leq 2,5$	1,5	$\leq 2,5$	1,5	EN60745-2-22

PIEZĪME: Paziņotā kopējā vibrācijas vērtība noteikta atbilstoši standarta pārbaudes metodei, un to var izmantot, lai salīdzinātu vienu darbarīku ar citu.

PIEZĪME: Paziņoto kopējo vibrācijas vērtību arī var izmantot iedarbības sākotnējā novērtējumā.

▲BRĪDINĀJUMS: Vibrācijas emisija patiesos darba apstākļos var atšķirties no paziņotās vērtības atkarībā no darbarīka izmantošanas veida un jo īpaši atkarībā no apstrādājamā materiāla veida.

▲BRĪDINĀJUMS: Lai aizsargātu lietotāju, nosakiet drošības pasākumus, kas pamatoti ar iedarbību reālos darba apstākļos (ņemot vērā visus ekspluatācijas cikla posmus, piemēram, laiku, kamēr darbarīks ir izslēgts un kad darbojas tukšgaitā, kā arī palaišanas laiku).

EK atbilstības deklarācija

Tikai Eiropas valstīm

EK atbilstības deklarācija šajā lietošanas rokasgrāmātā ir iekļauta kā A pielikums.

DROŠĪBAS BRĪDINĀJUMI

Vispārīgi elektrisko darbarīku drošības brīdinājumi

▲BRĪDINĀJUMS: Izlasiet visus drošības brīdinājumus, instrukcijas, apskatiet ilustrācijas un tehniskos datus, kas iekļauti mehanizētā darbarīka komplektācijā. Ja netiek ievēroti visi tālāk minētie noteikumi, var tikt izraisīta elektrotrauma, notikt aizdegšanās un/vai rasties smagas traumas.

Glabājiet visus brīdinājumus un norādījumus, lai varētu tajos ieskatīties turpmāk.

Termins „elektrisks darbarīks” brīdinājumus attiecas uz tādu elektrisko darbarīku, ko darbina ar elektrību (ar vadu), vai tādu, ko darbina ar akumulatoru (bez vada).

Drošības brīdinājumi bezvada frēzes lietošanai

1. Komplektā esošajam aizsargam jābūt cieši piestiprinātam pie mehanizētā darbarīka un novietotam tā, lai maksimāli gādātu par drošību un operatora virzienā būtu atsegta mazākā ripas daļa. Izvēlieties tādu stāvokli, lai jūs un blakus stāvošie neatrastos rotējošās ripas plaknē. Aizsargs palīdz aizsargāt operatoru no salūzušas slīpripas daļām un nejaušanas saskares ar slīpripu.
2. Mehanizētajam darbarīkam izmantojiet tikai stiprinātu stiegrotu vai dimanta griešanas ripu. Tas vien, kas piederumu var piestiprināt mehanizētajam darbarīkam, negarantē drošu lietošanu.

3. Piederuma nominālajam ātrumam jābūt vismaz identiskam ar maksimālo ātrumam, kas atzīmēts uz mehanizētā darbarīka. Piederumi, kas griežas ātrāk par nominālo ātrumu, var salūzt un tikt izsviesti.
4. Slīpripas jāizmanto tikai ieteicamajiem lietojumiem. Piemēram: neslīpējiet ar griešanas ripas malu. Abrazīvās griešanas ripas paredzētas perifērai slīpēšanai, tāpēc, ja uz šīm ripām iedarbojas sānu spēks, tās var salūzt.
5. Vienmēr izmantojiet nebojātus, izvēlētajai slīpīpai atbilstoša diametra ripas atlokus. Atbilstoši slīpripas atloki balsta slīpripu, tādējādi samazinot tās salūšanas iespēju.
6. Neizmantojiet nolietotas stiegotas ripas no lielākiem mehanizētajiem darbarīkiem. Lielākiem mehānizētajiem darbarīkiem paredzētas ripas nav piemērotas mazāka darbarīka lielajam ātrumam, un tās var pārplīst.
7. Piederuma ārējam diametram un biežumam jābūt mehanizētā darbarīka jaudas robežās. Nepareiza izmēra piederumus nav iespējams pietiekami uzmanīti vadīt.
8. Ripu un atloku vārpstas lielumam precīzi jāatbilst mehanizētā darbarīka vārpstas izmēram. Ripas un atloki ar vārpstas atverēm, kas neatbilst mehanizētā darbarīka stiprinājuma aprīkojumam, zaudēs centrējumu, pārmērīgi vibrēs un var izraisīt vadības zaudēšanu.
9. Neizmantojiet bojātas slīpripas. Pirms katras izmantošanas reizes pārbaudiet, vai slīpīpai nav robe vai plaisas. Ja mehanizētais darbarīks vai slīpripa nokrīt, pārbaudiet, vai nav radušies bojājumi, vai arī uzstādiet nebojātu piederumu. Pēc slīpripas pārbaudes un uzstādīšanas izvēlieties tādu novietojumu sev un apkārtējiem, kas neatrastos slīpripas rotācijas plaknē, tad vienu minūti darbiniet mehanizēto darbarīku ar maksimālo bezslodzes darbības ātrumu. Bojāti piederumi šādas pārbaudes laikā parasti izjūk.
10. Izmantojiet individuālos aizsarglīdzekļus. Atkarībā no veicamā darba valkājiet sejas aizsargu, aizsargbrilles vai brilles. Ja vajadzīgs, valkājiet putekļu masku, ausu aizsargus, cimdus un darba priekšautu, kas aiztur mazas abrazīvās vai materiāla daļas. Acu aizsardzības aprīkojumam jāaiztur lidojoši gruži, kas rodas dažādu darbu veikšanas laikā. Putekļu maskai vai respiratoram jāaiztur darba laikā radušās daļiņas. Ilgstoši pakļaujot sevi ļoti intensīvam troksnim, var rasties dzirdes zudums.

11. **Gādājiet, lai apkārtējie atrastos drošā attālumā no darba vietas.** Ikvienam, kas atrodas darba vietā, jāizmanto individuālie aizsarglīdzekļi. Apstrādājamā materiāla vai salūzušas slīpripas fragmenti var tikt izsviesti un radīt traumas arī tiem, kas neatrodas tiešā darba vietā.
12. **Veicot darbu, mehanizēto darbarīku drīkst turēt tikai aiz izolētajām satveršanas virsmām, ja strādā vietā, kur griezējinstrumentus varētu saskarties ar apslēptu elektroinstalāciju.** Griezējinstrumentam saskaroties ar kabeli zem sprieguma, mehanizētā darbarīka metāla daļas var vadīt spriegumu un radīt operatoram elektrotraumu.
13. **Nekādā gadījumā nenolieciet mehanizēto darbarīku, pirms tas nav pilnībā apstājies.** Rotējošā slīpripa var aizķert virsmu un pavilkt mehanizēto darbarīku, neļaujot jums to noturēt.
14. **Nedarbiniet mehanizēto darbarīku, to pārnēsājot.** Ja apgērbs nejausi pieskaras rotējošajam piederumam, tas var tikt satverts, iespējot piederumu miesā.
15. **Regulāri tīriet mehanizētā darbarīka ventilācijas atveres.** Motora ventilators ievēl putekļu korpusā un pārmērīga sīku metāla daļiņu uzkrāšanās var izraisīt elektrosistēmas bojājumus.
16. **Mechanizēto darbarīku nedrīkst darbināt ugunsnedrošu materiālu tuvumā.** Dzirksteles var aizdedzināt šos materiālus.

Atsitiens un ar to saistīti brīdinājumi

Atsitiens ir pēkšņa reakcija uz iesprūdušu vai aizķērušu rotējošo slīpripu. Iesprūšana vai aizķeršanās izraisa pēkšņu rotējošās slīpripas apstāšanos, kas saskares brīdī savukārt izraisa nevadāmu mehanizētā darbarīka grūdienu pretējai slīpripas rotācijas virzienam. Piemēram, ja abrazīvā slīpripa aizķeras vai iesprūst apstrādājamā materiālā, slīpripas mala, kas nokļūst iesprūšanas punktā, var iespīesties materiāla virsmā, liekot slīpripai izvīrties vai atlēkt. Slīpripa saskares brīdī var izlēkt operatora virzienā vai prom no viņa atkarībā no slīpripas kustības virziena. Šādos gadījumos abrazīvās slīpripas var arī salūzt. Atsitiens rodas darbarīka nepareizas lietošanas un/vai nepareizas darbības vai apstākļu rezultātā, un no tā var izvairīties, veicot piemērotus drošības pasākumus, kā norādīts tālāk.

1. **Saglabājiet ciešu darbarīka tvērienu un novietojiet ķermeni un rokas tā, lai pretotos atsitienu spēkam.** Lai maksimāli kontrolētu atsitienu (iedarbināšanas laikā) vai griezes momentu, vienmēr lietojiet palīgrokturi, ja tāds ir. Operators var savaldīt griezes momenta reakciju vai atsitienu spēku, ja veic atbilstošus piesardzības pasākumus.
2. **Nekad nenovietojiet roku rotējošā piederuma tuvumā.** Piederums var radīt atsitienu un traipīt rokai.
3. **Nenostājieties vienā līnijā ar rotējošo slīpripu.** Atsitiens saskares brīdī pārvieto darbarīku slīpripas kustībai pretējā virzienā.
4. **Īpaši uzmanieties, apstrādājot stūrus, asas malas u. c. Neļaujiet piederumam atlēkt un aizķerties.** Stūri, asas malas vai atļēcieni mēdz saķert rotējošo piederumu un izraisīt kontroles zaudēšanu pār darbarīku vai atsitienu.
5. **Nepiestipriniet zāga ķēdi, kokgriešanas asmeni, segmentētu dimanta ripu ar aploces rievu, kas lielāka par 10 mm, vai zobaino zāga asmeni.** Šādi asmeņi izraisa biežus atsitienu un kontroles zaudēšanu.

6. **Neļaujiet slīpripai iesprūst; neizmantojiet pārmērīgu spiedienu.** Negrieziet pārāk dziļi. Slīpripas pārslodšana palielina slodzi, ripas savēršanās vai iekēršanas griezumā un atsitienu, kā arī slīpripas salūšanas iespējamību.
7. **Ja slīpripa aizķeras vai kāda iemesla dēļ tiek pārtraukta griešana, izslēdziet mehanizēto darbarīku un turiet to nekustīgi, līdz slīpripa pilnībā apstājas.** Nekad nemēģiniet izņemt slīpripu no griezuma, kamēr slīpripa vēl griežas, citādi var rasties atsitiens. Pārbaudiet un veiciet attiecīgus pasākumus, lai novērstu slīpripas aizķeršanās cēloņus.
8. **Neatsāciet griešanu, darbarīkam atrodoties apstrādājamā materiālā.** Ļaujiet slīpripai sasniegt pilnu ātrumu un tad vēlreiz uzmanīgi ievietojiet to griezumā. Slīpripa var aizķerties, izvīrties augšup vai atlēkt, ja mehanizēto darbarīku atkal iedarbina laikā, kamēr tas atrodas apstrādājamajā virsmā.
9. **Atbalstiet paneļus un visus lielos apstrādājamā materiālus, lai samazinātu slīpripas iesprūšanas un atsitienu bīstamību.** Lieli apstrādājami materiāli bieži vien ieliecas sava svara dēļ. Balsti jānovieto abās slīpripas pusēs zem apstrādājamās virsmas, griezuma līnijas tuvumā un tuvu apstrādājamās virsmas malai.
10. **Esiet īpaši uzmanīgs, veicot „nišas griezumu” jau esošajās sienās vai citās aizsegtās vietās.** Caururbošā slīpripa var pārgriezt gāzes vai ūdens caurules, elektrības vadus vai priekšmetus, kas var izraisīt atsitienu.

Papildu drošības brīdinājumi:

1. **Pirms segmentētas dimanta ripas izmantošanas pārbaudiet, vai dimanta ripas aploces rievā starp segmentiem ir 10 mm vai mazāka, tikai ar negatīvu slīpuma leņķi.**
2. **Nekādā gadījumā negrieziet, ja darbarīks skrūvspīlēs ir apgriezts otrādi.** Tādējādi var izraisīt smagus negadījumus, jo šāda rīcība ir ļoti bīstama.
3. **Daži materiāli satur ķīmiskas vielas, kuras var būt toksiskas.** Izvairieties no putekļu ieelpošanas un to nokļūšanas uz ādas. Ievērojiet materiāla piegādātāja drošības datus.
4. **Uzglabājiet slīpripas saskaņā ar ražotāja ieteikumiem.** Nepareizi uzglabājot, slīpripas var sabojāt.
5. **Vienmēr izmantojiet darba apstākļiem un griezumam piemērotu rīpu.**
6. **Pirms griešanas izpētiet griezamo materiālu.** Ja materiāla sastāvā ir sprādzienbīstamas vai uzliesmojošas vielas, ir iespējams sprādziens vai aizdegšanās.
7. **Neieslēdziet darbarīku, ja starp aizsargu un ripu ir iestrēdzis svešķermenis.** Šādā situācijā vispirms izņemiet akumulatora kasetni un tad izņemiet svešķermeni.
8. **Kad iespējams, apstrādājamā materiāla atbalstam izmantojiet spailes vai līdzīgu priekšmetu.**
9. **Darbības laikā vienmēr izmantojiet dzirdes aizsargaprīkojumu.**
10. **Ar šo darbarīku aizliegts zāgēt koka materiālus.**

- Rīpas ārējam diametram un biežumam jāatbilst mehanizētā darbarīka jaudas aprēķinam. Nepareiza izmēra rīpas nevar atbilstoši aizsargāt vai vadīt.
- Strādājot ar mehanizēto darbarīku, cieši turiet to ar abām rokām un novietojiet ķermeni un rokas tā, lai pretotos atsitiena spēkam.
- Netuviniet rokas un seju rotējošajai rīpai.
- Noregulējiet rīpas pārsegu tādā pozīcijā, kas atbilst veicamajam darbam.
- Izmantojot darbarīku dubļainā vietā, uz mitras slīpas virsmas vai slidenā vietā, raugieties, lai kājām būtu stabils atbalsts.
- Negremdējiet darbarīku peļķē.
- Lietus laikā neatstājiet darbarīku ārpus telpām bez uzraudzības.
- Nemainiet akumulatoru lietū.
- Novietojot darbarīku glabāšanā, izvairieties no tiešiem saules stariem un lietus un novietojiet to vietā, kur nekļūst karsts vai mitrs.
- Nedziniņiet akumulatora kasetni, pat ja tā ir stipri bojāta vai pilnībā nolietota. Akumulatora kasetne uguni var eksplodēt.
- Akumulatora kasetni nedrīkst naglot, griezt, saspīest, mest vai nomest, kā arī pa to nedrīkst sist ar cietu priekšmetu. Šādas darbības var izraisīt aizdegšanos, pārmērīgu karstumu vai sprādzienu.
- Neizmantojiet bojātu akumulatoru.
- Uz izmantotajiem lītiņa jonu akumulatoriem attiecas likumdošanas prasības par bīstamiem izstrādājumiem. Komerציālā transportēšanā, ko veic, piemēram, trešās puses, transporta uzņēmumi, jāievēro uz iesaiņojuma un marķējuma norādītās īpašās prasības. Lai izstrādājumu sagatavotu nosūtīšanai, jāsažinās ar bīstamo materiālu speciālistu. Ievērojiet arī citus attiecināmos valsts normatīvus. Vaļējus kontaktus nosedziet ar līmlenti vai citādi pārklājiet, bet akumulatoru iesaiņojiet tā, lai sānīt tas nevarētu izkustēties.

SAGLABĀJIET ŠOS NORĀDĪJUMUS.

BRĪDINĀJUMS: NEPIELĀUJIET to, ka labu iemaņu vai izstrādājuma labas pārzināšanas (darbarīku atkārtoti ekspluatējot) rezultātā vairs stingri neievērojat šī izstrādājuma drošības noteikumus. NEPAREIZI LIETOJOT darbarīku vai neievērojot šajā instrukcijā rokasgrāmatā minētos drošības noteikumus, var tikt gūtas smagas traumas.

Svarīgi drošības norādījumi par akumulatora kasetni

- Pirms akumulatora lietošanas izlasiet visus norādījumus un brīdinājumus, kuri attiecas uz (1) akumulatora lādētāju, (2) akumulatoru un (3) ierīci, kurā tiek izmantots akumulators.
- Akumulatora kasetni nedrīkst ne pārveidot, ne izjaukt. Citādi var tikt izraisīta aizdegšanās, pārmērīgs karstums vai sprādziens.
- Ja akumulatora darbības laiks kļūva ievērojami īsāks, nekavējoties pārtrauciet to izmantot. Citādi, tas var izraisīt pārkarsējumu, uzliesmojumu vai pat sprādzienu.
- Ja elektrolīts nonāk acīs, izskalojiet tās ar tīru ūdens un nekavējoties griezties pie ārsta. Tas var izraisīt redzes zaudēšanu.
- Neradiet īssavienojumu akumulatora kasetnē:
 - Nepieskarieties spaiļēm ar elektrību vadošiem materiāliem.
 - Neuzglabājiet akumulatoru kasetni kopā ar citiem metāla priekšmetiem, tādiem kā naglas, monētas u. c.
 - Nepakļaujiet akumulatora kasetni ūdens vai lietus iedarbībai.
 Akumulatora īssavienojums var radīt spēcīgu strāvas plūsmu, pārkarsēšanu, uzliesmojumu un pat sabojāt akumulatoru.
- Neglabājiet un neizmantojiet darbarīku un akumulatora kasetni vietās, kur temperatūra var sasniegt vai pārsniegt 50 °C (122 °F).
- Neizmantojiet akumulatoru tikai ar izstrādājumiem, kurus norādījis Makita. Ievietojot šos akumulatorus nesaderīgos izstrādājumos, var rasties ugunsgrēks, pārmērīgs karstums, tie var uzsprāgt vai no tiem var iztecēt elektrolīts.
- Ja darbarīks netiks lietots ilgu laiku, no tā jāizņem akumulators.
- Lietošanas laikā vai pēc tās akumulatora kasetne var uzkrāt siltumu, kas var izraisīt apdegumus vai zemas temperatūras apdegumus. Ar karstu akumulatora kasetni aprobežojiet rūpīgi.
- Nepieskarieties darbarīka izvadam uzreiz pēc lietošanas, jo tas var būt sakarsis un izraisīt apdegumus.
- Neļaujiet akumulatora kasetnes spaiļēs, atverēs un rievās uzkrāties skaidām, putekļiem vai netīrumiem. Tas var izraisīt sasilšanu, aizdegšanos, sprādzienu instrumenta vai akumulatora kasetnes nepareizu darbību, un lietotājs var gūt apdegumus vai ievainojumus.
- Neizmantojiet akumulatora kasetni augstsprieguma līniju tuvumā, izņemot gadījumus, kad darbarīks ir piemērots lietošanai augstsprieguma līniju tuvumā. Citādi darbarīks vai akumulatora kasetne var sākt darboties nepareizi vai tikt sabojāti.
- Glabājiet akumulatoru bērniem nepieejamā vietā.

SAGLABĀJIET ŠOS NORĀDĪJUMUS.

UZMANĪBU: Lietojiet tikai oriģinālos Makita akumulatorus. Ja lietojat neoriģinālus Makita akumulatorus vai pārveidotus akumulatorus, tie var uzsprāgt un izraisīt aizdegšanos, traumas un materiālos zaudējumus. Tīks anulēta arī Makita darbarīka un lādētāja garantija.

Ieteikumi akumulatora kalpošanas laika pagarināšanai

1. Uzlādējiet akumulatora kasetni, pirms tā ir pilnībā izlādējusies. Vienmēr, kad ievērojat, ka darbarīka darba jauda zudusi, apturiet darbarīku un uzlādējiet akumulatora kasetni.
2. Nekad neuzlādējiet pilnībā uzlādētu akumulatora kasetni. Pārmērīga uzlāde saīsina akumulatora kalpošanas laiku.

3. Uzlādējiet akumulatora kasetni istabas temperatūrā 10 °C - 40 °C. Karstai akumulatora kasetnei pirms uzlādes ļaujiet atdzist.
4. Kad akumulatora kasetne netiek izmantota, izņemiet to no darbarīka vai lādētāja.
5. Uzlādējiet litiņa jonu akumulatora kasetni, ja to ilgstoši nelietosit (vairāk nekā sešus mēnešus).

DETAĻU APRAKSTS

► Att.1

1	Abrāzivā griešanas/ dimitanta rīpa	2	Rīpas aizsargs	3	Rīpas pārsega rokturis	4	Priekšējais rokturis
5	Lampiņa	6	Akumulatora kasetne	7	Bloķēšanas poga	8	Ritenītis
9	Vārpstas bloķētāja poga	10	Pārsegs (ķīļsiksna)	11	Krāns	12	Ūdens iepļūdes īšcaurule
13	Rokturis	14	Slēdža mēlīte	15	Lampiņas poga	16	Pārslodzes indikators
17	Savienojuma uzmava	18	Galatslēga	-	-	-	-

FUNKCIJU APRAKSTS

⚠ UZMANĪBU: Pirms darbarīka regulēšanas vai tā darbības pārbaudes vienmēr pārliecinieties, ka darbarīks ir izslēgts un akumulatora kasetne ir izņemta.

Akumulatora kasetnes uzstādīšana un izņemšana

⚠ UZMANĪBU: Vienmēr pirms akumulatora kasetnes uzstādīšanas vai noņemšanas izslēdziet darbarīku.

⚠ UZMANĪBU: Uzstādot vai izņemot akumulatora kasetni, darbarīku un akumulatora kasetni turiet cieši. Ja darbarīku un akumulatora kasetni netur cieši, tie var izkrist no rokām un radīt bojājumus darbarīkam un akumulatora kasetnei, kā arī izraisīt ievainojumus.

Lai uzstādītu akumulatora kasetni, salāgojiet akumulatora kasetnes mēlīti ar rievu ietvarā un iebīdīet to vietā. Ievietojiet to līdz galam, līdz tā ar klikšķi nofiksējas. Ja pogas augšējā daļā redzams sarkanas krāsas indikators, tas nozīmē, ka kasetne nav pilnīgi nofiksēta.

- **Att.2:** 1. Sarkanas krāsas indikators 2. Poga 3. Akumulatora kasetne

Lai izņemtu akumulatoru kasetnes, izvelciet kasetni, vienlaikus spiežot kasetnes priekšpusē esošo pogu.

⚠ UZMANĪBU: Vienmēr ievietojiet akumulatora kasetni tā, lai sarkanais indikators nebūtu redzams. Pretējā gadījumā tā var nejauši izkrist no darbarīka un izraisīt jums vai apkārtējiem traumas.

⚠ UZMANĪBU: Neievietojiet akumulatora kasetni ar spēku. Ja kasetne neslīd ietvarā viegli, tā nav pareizi ielikta.

PIEZĪME: Darbarīks nedarbojas ar tikai vienu akumulatora kasetni.

Atlikušās akumulatora jaudas indikators

Nospiediet akumulatora kasetnes pārbaudes pogu, lai pārbaudītu akumulatora atlikušo uzlādes līmeni. Indikatori iedegsies uz dažām sekundēm.

- **Att.3:** 1. Indikatora lampas 2. Pārbaudes poga

Indikatora lampas			Atlikusī jauda
Iededzies	Izslēgts	Mirgo	
■ ■ ■ ■			No 75% līdz 100%
■ ■ ■ □			No 50% līdz 75%
■ ■ □ □			No 25% līdz 50%
■ □ □ □			No 0% līdz 25%
◻ □ □ □			Uzlādējiet akumulatoru.
■ ■ □ □	↑	↓	Iespējama akumulatora kļūme.
□ □ ■ ■			

PIEZĪME: Reālā jauda var nedaudz atšķirties no norādītās atkarībā no lietošanas apstākļiem un apkārtējās temperatūras.

PIEZĪME: Akumulatora aizsardzības sistēmas darbības laikā mirgo pirmais (kreisais malējais) indikators.

Darbarīka/akumulatora aizsardzības sistēma

Darbarīks ir aprīkots ar darbarīka/akumulatora aizsardzības sistēmu. Šī sistēma automātiski izslēdz jaudas padevi motoram, lai pagarinātu darbarīka un akumulatora kalpošanas laiku. Darbarīks automātiski pārstās darboties ekspluatācijas laikā, ja darbarīku vai akumulatoru pakļaus kādam no šiem apstākļiem. Dažu apstākļu gadījumā izgaismojas indikatori.

Aizsardzība pret pārslodzi

Ja darbarīku/akumulatoru lieto tā, ka tas patērē pār-mērīgi lielu strāvas daudzumu, darbarīks automātiski pārstāj darboties. Šādā gadījumā izslēdziet darbarīku un pārtrauciet darbību, kas izraisīja darbarīka pārslodzi. Pēc tam izslēdziet darbarīku, lai atsāktu darbu.

Aizsardzība pret pārkaršanu

Ja darbarīks/akumulators ir pārkaris, darbarīks automātiski izslēdzas un sāk mirgot indikatorus. Šādā gadījumā pirms darbarīka atkārtotas ieslēgšanas ļaujiet tam atdzist.

Aizsardzība pret akumulatora pārmērīgu izlādi

Kad atlikusī akumulatora jauda ir zema, darbarīks automātiski pārstāj darboties un sāk mirgot akumulatora kasetnes indikatorus. Ja darbarīks nedarbojas pat pēc slēdžu ieslēgšanas, izņemiet no darbarīka akumulatorus un uzlādējiet tos.

Aizsardzība pret citiem cēloņiem

Aizsardzības sistēma ir paredzēta arī pret citiem cēloņiem, kas varētu radīt darbarīka bojājumus, un nodrošina automātisku darbarīka apturēšanu. Ja darbarīka darbība ir īslaicīgi apstājusies vai tas pārstājis darboties, veiciet visas tālāk norādītās darbības, lai novērstu cēloņus.

1. Izslēdziet un atkal izslēdziet darbarīku, lai to atkārtoti iedarbinātu.
2. Uzlādējiet akumulatoru(-s) vai nomainiet to(-s) ar uzlādētu(-iem) akumulatoru(-iem).
3. Ļaujiet ierīcei un akumulatoram(-iem) atdzist.

Ja pēc aizsardzības sistēmas atjaunošanas nav uzlabojumu, sazinieties ar vietējo Makita tehniskās apkopes centru.

IEVĒRĪBAI: Ja darbarīks izslēdzas kāda iepriekš neaprauktā iemesla dēļ, skatiet sadaļu par problēmu novēršanu.

Brīdinājums par pārslodzi

Ja darbarīks tiek pakļauts pārmērīgai slodzei, pārslodzes indikators sāk mirgot sarkanā krāsā. Šādā gadījumā samaziniet darbarīka slodzi. Indikators pārstās mirgot.

► **Att.4:** 1. Pārslodzes indikators

Slēdža darbība

▲BRĪDINĀJUMS: Pirms akumulatora kasetnes uzstādīšanas darbarīkā vienmēr pārbaudiet, vai slēdža mēlīte darbojas pareizi un pēc atlaišanas atgriežas stāvoklī „OFF” (izslēgts).

▲BRĪDINĀJUMS: AIZLIEGTS neitralizēt atbloķēšanas pogas darbību, to aplīmējot vai citādāk pārveidojot. Ja atbloķēšanas pogas darbība ir neitralizēta, slēdzis var izraisīt neparedzētu darbību un radīt smagas traumas.

▲BRĪDINĀJUMS: NEKAD nelietojiet darbarīku, ja tas ieslēdzas, kad nospiežat slēdža mēlīti, bet nav nospiesta atbloķēšanas poga. Slēdzis, ko nepieciešams labot, var izraisīt netīšu darbību un radīt nopietnus ievainojumus. PIRMS turpmākas ekspluatācijas nododiet darbarīku Makita apkopes centrā, lai to atbilstīgi saremontētu.

Lai novērstu nejaucu slēdža mēlītes piespiešanu, darbarīks ir aprīkots ar bloķēšanas pogu. Lai ieslēgtu darbarīku, nospiediet atbloķēšanas pogu un tad nospiediet slēdža mēlīti. Lai apturētu darbarīku, atlaidiet slēdža mēlīti.

► **Att.5:** 1. Slēdža mēlīte 2. Bloķēšanas poga

IEVĒRĪBAI: Nespiediet slēdža mēlīti ar spēku, ja nav nospiesta atbloķēšanas poga. Tā var sabojāt slēdzi.

Lampas iedegšana

▲UZMANĪBU: Neskatieties gaismā, neļaujiet tās avotam iespīdēt acīs.

Lai ieslēgtu lampiņu, nospiediet lampiņas pogu. Lai izslēgtu, vēlreiz nospiediet lampiņas pogu.

► **Att.6:** 1. Lampiņas poga 2. Lampiņa

PIEZĪME: Lampiņa automātiski izslēgsies, ja ierīce netiks izmantota ilgāk par vienu minūti.

Ripas pārsega regulēšana

Turiet ripas pārsega rokturi un noregulējiet ripas pārsega pozīciju atbilstoši veicamajam darbam.

► **Att.7:** 1. Ripas pārsega rokturis

Aktīvās reakcijas tehnoloģija (Active feedback sensing technology)

Darbarīks automātiski nosaka situācijas, kurās ripa varētu iestrēgt. Šādās situācijās darbarīks automātiski izslēdzas, lai novērstu turpmāku vārpstas griešanas (tas nenovērs atsitieni rašanos).

Lai atkārtoti ieslēgtu darbarīku, vispirms to izslēdziet, novērsiet darbarīka ātruma pēkšņās samazināšanās iemeslu un tad atkal izslēdziet darbarīku.

Elektrobremze

Elektrobremze tiek ieslēgta pēc darbarīka izslēgšanas. Bremze nedarbojas, ja barošana ir izslēgta, piemēram, tiek izņemts akumulators, kad slēdzis vēl ir ieslēgšanas stāvoklī.

MONTĀŽA

⚠UZMANĪBU: Pirms darbarīka regulēšanas vai apkopes vienmēr pārliecinieties, ka darbarīks ir izslēgts un akumulatora kasetne ir izņemta.

Abrazīvās griešanas ripas/dimanta ripas uzstādīšana vai noņemšana

⚠UZMANĪBU: Ripu uzstādiet vai noņemiet tikai ar Makita uzgriežņu atslēgu.

⚠UZMANĪBU: Uzstādot ripu, pārbaudiet, vai bultskrūve ir cieši pieskrūvēta.

⚠UZMANĪBU: Kad ripa griežas, nespiediet vārpstas bloķētāja pogu.

Lai noņemtu ripu, nospiediet vārpstas bloķētāja pogu un griežiet ripu, līdz to vairs nav iespējams pagriezt. Turot vārpstas bloķētāju pilnībā nofiksētu, ar galatslēgu griežiet seššķautņu bultskrūvi pretēji pulkstenrādītāju kustības virzienam. Pēc tam secīgi noņemiet seššķautņu bultskrūvi, atloku, ripu, gredzenu un atloku.

► **Att.8:** 1. Vārpstas bloķētāja poga 2. Galatslēga 3. Pievilkt 4. Atlaist

► **Att.9:** 1. Sešstūru galvas skrūve 2. Atloks 3. Gredzens 4. Abrazīvā griešanas/dimanta ripa 5. Bultiņa (ripas rotācijas virziens)

Lai uzstādītu ripu, izpildiet noņemšanas darbības pretējā secībā.

NOTEIKTI CIEŠI PIEVELCIET SEŠSTŪRGALVAS BULTSKRŪVI.

⚠UZMANĪBU: Ripu vienmēr uzstādiet tā, lai bultiņa uz tās būtu vērsta uz to pašu pusi, uz kuru ir vērsta bultiņa uz ripas aizsarga. Citādi ripa griezīsies pretējā virzienā un var kādā traumēt.

⚠UZMANĪBU: Izmantojiet tikai tādas ripas, kuru norādītais izmantošanas ātrums ir vienāds ar vai lielāks par darbarīka maksimālo ātrumu.

PIEZĪME: Uzstādot ripu, gādājiet, lai atloki tiktu uzstādīti tā, ka atloka plakanā puse ir vērsta pret ripu, un piestipriniet gredzenu, kas atbilst ripas iekšējam diametram.

► **Att.10:** 1. Sešstūru galvas skrūve 2. Atloks 3. Gredzens 4. Abrazīvā griešanas/dimanta ripa

Savienošana ar ūdens padeves avotu

1. Sagatavojiet ūdens šļūteni.
2. Noņemiet uz savienojuma uznavas esošo uzgriezni un izvadiet ūdens šļūteni caur uzgriezni. Ievietojiet šļūtenes galu savienojuma uznavā un tad pievelciet uzgriezni.
► **Att.11:** 1. Ūdens šļūtene 2. Savienojuma uznavas uzgrieznis 3. Savienojuma uznava

3. Pievienojiet šļūteni ūdens padeves avotam.

Ja pievienojat šļūteni krānam, izmantojiet piemērotu stiprinājumu, piemēram, šļūtenes savilcēju vai ūdens krāna savienotāju.

► **Att.12:** 1. Šļūtenes savilcējs 2. Ūdens krāna savienotājs 3. Ūdens šļūtene

PIEZĪME: Stiprinājuma veids ir atkarīgs no savienojumam izmantotā krāna. Sagatavojiet tirdzniecībā pieejamu stiprinājumu.

PIEZĪME: Ja izmantojat ūdens krāna savienotāju, jums vajadzēs vēl vienu savienojuma uznavu, ko pievienot otrā šļūtenes galā.

PIEZĪME: Ja izmantojat ūdens sūkni, skatiet ūdens sūkņa instrukcijas, lai pievienotu ūdens šļūteni.

4. Spiediet savienojuma uznavu uz ūdens ieklūdes tīcauruli, līdz tā ar klikšķi nofiksējas savā vietā.

► **Att.13:** 1. Savienojuma uznava 2. Ūdens ieklūdes tīcaurule 3. Krāns

IEVĒRĪBAI: Turiet krānu aizvērtu, līdz brīdim, kad sākat griešanu ar ūdens padeves funkciju.

Norādes ūdens padeves izmantošanai skatiet darbības apraksta sadaļā.

EKSPLUATĀCIJA

⚠UZMANĪBU: Darba laikā apstrādājamais materiāls stingri jātur uz stabila sola vai galda.

⚠UZMANĪBU: Darbarīku griezumā nedrīkst kustināt un spiest, jo motoram var rasties pārslozde vai apstrādājamais materiāls var salūzt.

Griešana

⚠UZMANĪBU: Darba laikā neceliet darbarīku augstāk par plecu augstumu.

► **Att.14**

Turiet darbarīku cieši. Aizmugures rokturi satveriet ar labo roku, bet priekšējo rokturi – ar kreiso roku. Lai izvairītos no strāvas trieciena, ja gadās nejauši iegriezt elektrības vadā, turiet priekšējo rokturi tikai aiz attēlā parādītajām daļām.

► **Att.15:** 1. Turēšanai izmantojamā daļa

Pārvietojiet darbarīku pa apstrādājamo materiālu, turot to paralēli virsmai un lēni virzot to uz priekšu, līdz griešana ir pabeigta. Griezuma līnijai jābūt taisnai, un virzības ātrumam – vienmērīgam.

► **Att.16**

PIEZĪME: Ja akumulatora kasetnes temperatūra ir zema, darbarīks var nedarboties ar pilnu jaudu. Kamēr akumulatora kasetne uzsilst līdz istabas temperatūrai, darbarīks jāizmanto nelielām griešanas darbībām. Tad darbarīks varēs izmantot pilnu akumulatora ietilpību.

PIEZĪME: Ja dimanta ripa sāk slīktāk griezt, tās aso malu izlīdzina gar vecu un nolietotu raujpu slīpmašīnas ripu vai betona virsmu. Nedaudz uzspiež uz dimanta ripas ārējās malas un izlīdzina.

Ūdens padeve griešanas laikā

UZMANĪBU: Ja izmantojat mitrā tipa dimanta ripu, darba laikā vienmēr nodrošiniet ūdens padevi.

Pievienojiet darbarīku ūdens padeves avotam un pagrieziet krānu bultiņas virzienā, kā parādīts attēlā. Regulējiet krāna pozīciju, lai ūdens plūsma būtu mierīga.

► **Att.17:** 1. Krāns

UZMANĪBU: Kad darbarīkam tiek pievadīts ūdens, vienmēr turiet darbarīka galvu zemāk par korpusu, lai ūdens neietecētu darbarīka mehānismā. Neievērojot šo noteikumu, ir iespējams elektrotieciena risks.

► **Att.18**

APKOPE

UZMANĪBU: Pirms darbarīka pārbaudes vai apkopes vienmēr pārlicinieties, ka darbarīks ir izslēgts un akumulatora kasetne ir izņemta.

IEVĒRĪBAI: Nekad neizmantojiet gazolīnu, benzīnu, atšķaidītāju, spirtu vai līdzīgus šķidrumus. Tas var radīt izbalēšanu, deformāciju vai plaisas.

Lai saglabātu izstrādājuma DROŠU un UZTICAMU darbību, remontdarbus, apkopi un regulēšanu uzticiet veikt tikai Makita pilnvarotam vai rūpnīcas apkopes centram, un vienmēr izmantojiet tikai Makita rezerves daļas.

Darbarīka tīrīšana

Pēc katras lietošanas reizes izņemiet akumulatora kasetnes un noņemiet ripu, lai iztīrītu putekļus, netīrumus vai metāla skaidas, kas uzkrājas ripas aizsarga iekšpusē. Tīriet darbarīka korpusu, noslaukot putekļus un netīrumus ar sausu drānu vai drānu, kas samērcēta ziepjūdenī un izgriezta. Ar sausu drānu notīriet netīrumus no lampas. Nesaskrāpējiet lampas lēcu, jo tādējādi pasliktināsies apgaismojums.

► **Att.19:** 1. Ripas aizsargs 2. Lampas aizsargs

Ventilācijas atveres tīrīšana

Tīriet darbarīka ventilācijas atveres regulāri vai arī ikreiz, kad tās nosprostojas.

► **Att.20:** 1. Gaisa atvere

Sinhronizācijas siksnas nomaīņa

1. Noņemiet akumulatora kasetnes ripu.
2. Atskrūvējiet sešstūru iedobes skrūves, izmantojot galatslēgas galu, un tad noņemiet pārsegu.
► **Att.21:** 1. Galatslēga 2. Sešstūrgalvas bultskrūve 3. Pārsegs

3. Turiet nospiestu vārpstas bloķētāja pogu, lai fiksētu lielo skriemeli, un pēc tam ar galatslēgas tievo galu grieziat uzgriezni pretēji pulksteņrādītāju kustības virzienam.

► **Att.22:** 1. Lielais skriemelis 2. Vārpstas bloķētāja poga

4. Turiet nospiestu vārpstas bloķētāja pogu, lai fiksētu lielo skriemeli, un pēc tam ar galatslēgas resno galu grieziat mazo disku pretēji pulksteņrādītāju kustības virzienam, lai atbrīvotu sinhronizācijas siksnu.

► **Att.23:** 1. Vārpstas bloķētāja poga 2. Lielais skriemelis 3. Mazais disks

5. Noņemiet siksnu.

6. Liekot dzensiksnas rievās uz iekšpusi, piestipriniet vienu siksnas galu mazajam skriemelim un pēc tam piestipriniet otru siksnas galu lielajam skriemelim.

► **Att.24:** 1. Sikсна 2. Lielais skriemelis 3. Mazais skriemelis

7. Turiet nospiestu vārpstas bloķētāja pogu, lai fiksētu lielo skriemeli, un pēc tam ar galatslēgas resno galu grieziat mazo disku pulksteņrādītāju kustības virzienā, lai pievilktu siksnu.

► **Att.25:** 1. Vārpstas bloķētāja poga 2. Lielais skriemelis

PIEZĪME: Pārlicinieties, vai mazais disks atrodas attēlā norādītajā pozīcijā.

► **Att.26:** 1. Mazais disks

8. Turiet nospiestu vārpstas bloķētāja pogu, lai fiksētu lielo skriemeli, un pēc tam ar galatslēgas tievo galu grieziat uzgriezni pulksteņrādītāju kustības virzienā.

► **Att.27:** 1. Vārpstas bloķētāja poga

PIEZĪME: Pievelkot uzgriezni, izmantojiet 19-21 N•m lielu pievilkšanas griezes momentu.

9. Uzlieciat pārsegu un tad pievelciat sešstūru iedobes skrūves, izmantojot galatslēgas galu.

► **Att.28:** 1. Galatslēga 2. Sešstūrgalvas bultskrūve 3. Pārsegs

PROBLĒMU NOVĒRŠANA

Pirms nodošanas remontā vispirms veiciet pārbaudi pats. Ja konstatējat kļūmi, kas nav aprakstīta rokasgrāmatā, nemēģiniet darbarīku izjaukt. Dodieties uz Makita pilnvarotu apkopes centru un remontam vienmēr izmantojiet tikai Makita rezerves daļas.

Neatbilstošas darbības stāvoklis	Iespējamais iemesls (kļūme)	Risinājums
Motors nedarbojas.	Nav ievietotas akumulatora kasetnes.	Ievietojiet divas akumulatora kasetnes. Darbarīks nedarbojas, ja ievietota tikai viena akumulatora kasetne.
	Akumulatora kļūme (zems spriegums)	Uzlādējiet akumulatoru. Ja uzlāde nesniedz vēlamo rezultātu, nomainiet akumulatora kasetni.
	Piedzīņas sistēma nedarbojas pareizi.	Dodieties to remontēt vietējā pilnvarotā apkopes centrā.
Motors izslēdzas pēc neilgas darbināšanas.	Akumulatora uzlādes līmenis ir par zemu.	Uzlādējiet akumulatoru. Ja uzlāde nesniedz vēlamo rezultātu, nomainiet akumulatora kasetni.
	Darbarīks pārkarsis.	Apturiet darbarīku, lai tas atdzistu.
Ripas griešanās ātrums pareizi nepalielinās arī tad, ja darbarīks 20 sekundes darbināts bez slodzes.	Nepareizi ievietota akumulatora kasetne.	Uzstādiet akumulatora kasetnes atbilstoši šīs rokasgrāmatas norādījumiem.
	Samazinās akumulatora jauda.	Uzlādējiet akumulatora kasetnes. Ja uzlāde nesniedz vēlamo rezultātu, nomainiet akumulatora kasetni.
	Sinhronizācijas sikсна izslīd.	Nomainiet sinhronizācijas sikсну ar jaunu.
	Piedzīņas sistēma nedarbojas pareizi.	Dodieties to remontēt vietējā pilnvarotā apkopes centrā.
Ripa negriežas: ⇒ nekavējoties apturiet mašīnu!	Sinhronizācijas sikсна izslīd.	Nomainiet sinhronizācijas sikсну ar jaunu.
	Starp aizsargu un ripu ir iestrēdzis svešķermenis.	Vispirms izņemiet akumulatora kasetnes un pēc tam izņemiet svešķermeni.
	Piedzīņas sistēma nedarbojas pareizi.	Dodieties to remontēt vietējā pilnvarotā apkopes centrā.
Pārmērīga vibrācija: ⇒ nekavējoties apturiet mašīnu!	Nepareizi piestiprināta ripa.	Uzstādiet ripu, ievērojot norādījumus šajā rokasgrāmatā. Pievelciet bultskrūvi, lai nostiprinātu ripu.
	Piedzīņas sistēma nedarbojas pareizi.	Dodieties to remontēt vietējā pilnvarotā apkopes centrā.
Nevar apturēt griešanas instrumentu un motoru: ⇒ Nekavējoties izņemiet akumulatora kasetni!	Elektriska vai elektroniska kļūme.	Izņemiet akumulatora kasetnes un sazīnieties ar vietējo pilnvaroto apkopes centru, lai vienotos par remontu.
Slikts griešanas sniegums	Laiks nomainīt ripu.	Aizstājiet veco ripu ar jaunu.
No iepildes tīscaurules sūcas ūdens.	Ūdens sūcas gredzenblīves savienojuma vietā.	Lūdziet veikt remontu vietējā pilnvarotā apkopes centrā.

PAPILDU PIEDERUMI

⚠ UZMANĪBU: Šādi piederumi un papildierces tiek ieteiktas lietošanai ar šajā rokasgrāmatā aprakstīto Makita darbarīku. Izmantojot citus piederumus vai papildierces, var tikt radīta traumu gūšanas bīstamība. Piederumu vai papildierci izmantojiet tikai paredzētajam mērķim.

Ja jums vajadzīga palīdzība vai precīzāka informācija par šiem piederumiem, vērsieties savā tuvākajā Makita apkopes centrā.

- Abrazīvā griešanas ripa
- Dimanta ripa
- Gredzena komplekts
- Sinhronizācijas sikсна
- Savienojuma uzmava
- Galatslēga
- Makita oriģinālais akumulators un lādētājs

PIEZĪME: Daži sarakstā norādītie izstrādājumi var būt iekļauti instrumenta komplektācijā kā standarta piederumi. Tie dažādās valstīs var būt atšķirīgi.

SPECIFIKACIJOS

Modelis:	CE001G
Disko skersmuo	355 mm
Didž. disko storis	5,0 mm
Didž. pjovimo gylis	127 mm
Vardinis greitis	5 300 min ⁻¹
Vardinė įtampa	Nuol. sr. 72 V – 80 V maks.
Didž. leidžiamas vandens leidimo slėgis	5,0 barai
Bendrasis ilgis	786 mm
Grynas svoris	12,3-12,9 kg
Apsaugos laipsnis	IPX4

- Atliekame tęstinius tyrimus ir nuolatos tobuliname savo gaminius, todėl čia pateikiamos specifikacijos gali būti keičiamos be įspėjimo.
- Skirtingose šalyse specifikacijos gali skirtis.
- Svoris gali priklausyti nuo priedo (-ų), įskaitant akumuliatoriaus kasetę. Lengviausias ir sunkiausias deriniai pagal EPTA 2014 m. sausio mėn. procedūrą yra parodyti lentelėje.

Tinkama akumuliatoriaus kasetė ir (arba) įkroviklis

Akumuliatoriaus kasetė	BL4040 / BL4050F* *: rekomenduojamas akumuliatorius
Įkroviklis	DC40RA / DC40RB / DC40RC

- Atsižvelgiant į gyvenamosios vietos regioną, kai kurios pirmiau nurodytos akumuliatoriaus kasetės ir įkrovikliai gali būti neprieinami.

⚠ JSPĖJIMAS: Naudokite tik akumuliatoriaus kasetes ir įkroviklius, kurie nurodyti anksčiau. Naudojant bet kurias kitas akumuliatoriaus kasetes ir įkroviklius, gali kilti sužeidimo ir gaisro pavojus.

Numatytoji naudojimo paskirtis

Įrankis skirtas metalui pjauti naudojant šlifuojamąjį nupjovimo diską ir mūriui – deimantinį diską.

Triukšmas

Įprastas triukšmo A lygis, nustatytas pagal EN60745-2-22:

Garso slėgio lygis (L_{pA}): 109 dB (A)

Garso galios lygis (L_{WA}): 120 dB (A)

Paklaida (K): 3 dB (A)

PASTABA: Paskelbta (-os) triukšmo reikšmė (-ės) nustatyta (-os) pagal standartinį testavimo metodą ir jį galima naudoti vienam įrankiui palyginti su kitu.

PASTABA: Paskelbta (-os) triukšmo reikšmė (-ės) taip pat gali būti naudojama (-os) norint preliminariai įvertinti triukšmo poveikį.

⚠ JSPĖJIMAS: Dėvėkite ausų apsaugą.

⚠ JSPĖJIMAS: Faktiškai naudojant elektrinį įrankį, keliamo triukšmo dydis gali skirtis nuo paskelbtos (-ų) reikšmės (-ių), priklausomai nuo būdų, kuriais yra naudojamas šis įrankis, ir ypač nuo to, kokio tipo ruošinys apdirbamas.

⚠ JSPĖJIMAS: Siekdami apsaugoti operatorių, būtina įvertinkite saugos priemones, remdamiesi vibracijos poveikio įvertinimu esant faktinėms naudojimo sąlygoms (atsižvelgdami į visas darbo ciklo dalis, pavyzdžiui, ne tik kiek laiko įrankis veikia, bet ir kiek kartų jis yra išjungiamas bei kai jis veikia be apkrovų).

Vibracija

Darbo režimas: betono pjovimas

Kairė ranka		Dešinė ranka		Taikomas standartas
$a_{h,w}$ (m/s ²)	Paklaida K (m/s ²)	$a_{h,w}$ (m/s ²)	Paklaida K (m/s ²)	
≤ 2,5	1,5	≤ 2,5	1,5	EN60745-2-22

PASTABA: Paskelbta (-os) vibracijos bendroji (-osios) reikšmė (-ės) nustatyta (-os) pagal standartinį testavimo metodą ir jį galima naudoti vienam įrankiui palyginti su kitu.

PASTABA: Paskelbta (-os) vibracijos bendroji (-osios) reikšmė (-ės) taip pat gali būti naudojama (-os) norint preliminariai įvertinti vibracijos poveikį.

⚠️ ĮSPĖJIMAS: Faktiškai naudojant elektrinį įrankį, keliamos vibracijos dydis gali skirtis nuo paskelbtos (-ų) reikšmės (-ių), priklausomai nuo būdų, kuriais yra naudojamas šis įrankis, ir ypač nuo to, kokio tipo ruošinys apdirbamas.

⚠️ ĮSPĖJIMAS: Siekdami apsaugoti operatorių, būtina įvertinkite saugos priemones, remdamiesi vibracijos poveikio įvertinimu esant faktinėms naudojimo sąlygoms (atsižvelgdami į visas darbo ciklo dalis, pavyzdžiui, ne tik kiek laiko įrankis veikia, bet ir kiek kartų jis yra išjungiamas bei kai jis veikia be aprovų).

EB atitikties deklaracija

Tik Europos šalims

EB atitikties deklaracija yra pridedama kaip šio instrukcijų vadovo A priedas.

SAUGOS ĮSPĖJIMAI

Bendrieji įspėjimai dirbant elektriniais įrankiais

⚠️ ĮSPĖJIMAS: Perskaitykite visus saugos įspėjimus, instrukcijas, iliustracijas ir techninius duomenis, pateiktus kartu su šiuo elektriniu įrankiu. Nesilaikant visų toliau išvardytų instrukcijų galima patirti elektros smūgį, gali kilti gaisras ir (arba) galima sunkiai susižaloti.

Įsisaugokite visus įspėjimus ir instrukcijas, kad galėtumėte jas peržiūrėti ateityje.

Terminas „elektrinis įrankis“ pateiktuose įspėjimuose reiškia į maitinimo tinklą jungiamą (laidinį) elektrinį įrankį arba akumuliatoriaus maitinamą (belaidį) elektrinį įrankį.

Saugos įspėjimai dėl belaidžio pjaustytuvo naudojimo

1. Norint užtikrinti maksimalią saugą, pateiktą apsauginį skydą privaloma tvirtai pritvirtinti prie elektrinio įrankio, kad būtų neuždengta minimali disko dalis. Operatorius ir pašaliniai asmenys turi būti atokiai nuo besisukančio disko plokštumos. Apsauga padeda apsaugoti operatorių nuo atskilusių disko dalelių ir netyčinio sąlyčio su disku.

2. Elektriniam įrankiui naudokite tik klijuotus sutvirtintus arba deimantinius nupjovimo diskus. Vien tai, kad priedą galima sumontuoti ant elektrinio įrankio, nereiškia, kad jis užtikrina saugų darbą.
3. **Nominalusis priedo greitis turi būti bent jau lygus maksimaliam greičiui, nurodytam ant elektrinio įrankio.** Priedai, kurie veikia greičiau už vardinį greitį, gali sulūžti ir atsiskirti.
4. Diskai turi būti naudojami tik pagal rekomenduojamą paskirtį. Pavyzdžiui, nešlifukokite pjovimo disko šonu. Šlifuojantys pjovimo diskai yra skirti periferiniam šlifavimui, todėl diskus veikiančios šoninės jėgos juos gali suskaldyti.
5. **Visada naudokite tik nesugadintas diskų junges, kurių skersmuo tinkamas pasirinktam diskui.** Tinkamos diskų jungės prilaiko diską, mažindamos disko trūkimo tikimybę.
6. **Nenaudokite nusidėvėjusių sutvirtintų diskų nuo didesnių elektrinių įrankių.** Didesniems elektriniams įrankiams skirti diskai netinka greičiau besisukančiam mažesniai įrankiui – jie gali sprogti.
7. **Priedo išorinis skersmuo ir storis turi atitikti elektrinio įrankio pajėgumo kategoriją.** Netinkamo dydžio priedų negalima tinkamai apsaugoti skydais ar valdyti.
8. **Diskų ir jungių įspraudinių angų dydis turi tiksliai atitikti elektrinio įrankio ašį dydį.** Naudojami diskai ir jungės su įspraudinėmis angomis, kurių dydis neatitinka elektrinio prietaiso dalių, prie kurių jie montuojami, dydžio, išbalansuos įrankį, sukels pernelyg didelę vibraciją, todėl kyla pavojus prarasti įrankio valdomą.
9. **Nenaudokite pažeistų diskų. Kiekvieną kartą prieš pradėdami naudoti diskus, patikrinkite, ar juose nėra nuolaužų ir įtrūkimų. Jeigu elektrinis įrankis arba diskas buvo numestas, patikrinkite, ar nėra pažeidimų arba naudokite nepažeistą diską. Patikrinę ir sumontavę diską, patys būkite ir aplinkiniams nurodykite būti toliau nuo besisukančio disko plokštumos ir paleiskite įrankį veikti didžiausiu nulines apkravos greičiu 1 minutę.** Paprastai sugadinti diskai tokio patikrinimo metu suskyla.

10. **Naudokite asmeninės apsaugos priemones. Priklausomai nuo pritaikymo, naudokite apsauginį veido skydelį, tamsius arba apsauginius akinius. Kaip pridera, dėvėkite priešdulkinę puskaukę, klausos apsaugą, pirštines ir dirbtuvės prijuostę, sulaikančią smulkius abrazyvus ar ruošinio skeveldras.** Akių apsauga turi sulaikyti skriejančias nuolaužas, susidariusias įvairių operacijų metu. Apsaugos nuo dulkių kaukė arba respiratorius turi filtruoti darbo metu susidariusias dalelytes. Dėl intensyvaus ilgalaikio triukšmo galima prarasti klausą.
11. **Laikykite stebinčiuosius toliau nuo darbo vietos. Kiekvienas, užeinantis į darbo vietą, turi dėvėti asmeninę apsaugos aprangą.** Ruošinio ar sulūžusio disko skeveldros gali nuskrieti toliau ir sužeisti asmenis, esančius už darbinės zonos.
12. **Atlikdami darbus, kurių metu pjovimo priedas galėtų užkliudyti nematomą laidą, laikykite elektrinį įrankį tik už izoliuotų paviršių.** Pjovimo priedui prisilietus prie laido, kuriuo teka elektros srovė, neizoliuotos metalinės elektrinio įrankio dalys gali sukelti elektros smūgį operatoriui.
13. **Niekada nepadėkite šio elektrinio įrankio, kol jo priedas nėra visiškai sustojęs.** Greitai besisukantis diskas gali užkabinti paviršių ir jūs galite nebesuvaldyti elektrinio įrankio.
14. **Nešant įrankį prie savo šono, jis turi būti išjungtas.** Greitai besisukantis priedas gali atsitiktinai užkabinti jūsų drabužius ir jus sužaloti.
15. **Reguliariai išvalykite elektrinio įrankio oro ventiliacijos angas.** Variklio ventiliatorius traukia dulkes į korpuso vidų ir dėl per didelių metalo dulkių sankaupų gali kilti su elektros įranga susijęs pavojus.
16. **Nenaudokite elektrinio įrankio būdami netoliese degių medžiagų.** Nuo kibirkščių degiosios medžiagos gali užsidegti.
3. **Nestovėkite vienoje eilėje su besisukančiu disku.** Atatranka pastums įrankį priešinga disko sukimuisi kryptimi suspaudimo taške.
4. **Ypač saugokitės apdirbdami kampus, aštirus kraštus ir pan. Stenkitės priedo nesutrenkti ir neužkliudyti.** Besisukantis priedas gali užsikabinti ar atsitrenkti į kampus, aštirus kraštus ir sukelti atatranką, o dėl to galima nebesuvaldyti įrankio.
5. **Nenaudokite pjūklo grandinės, medžio raizymo disko, segmentuoto deimantinio disko, jeigu šoninis tarpelis yra didesnis nei 10 mm, arba dantyto pjovimo disko.** Tokie diskai dažnai sukelia atatranką ir įrankio suvaldymo problemų.
6. **Nespauskite disko ir nenaudokite pernelyg didelio slėgio. Nemėginkite atlikti pernelyg gilių pjūvių.** Per stipriai spaudžiant, padidėja apkrova ir disko persikreipimo ar užstrigimo pjūvyje tikimybė bei atatrankos ar disko lūžimo galimybė.
7. **Kai diskas užstrigo arba kai pjovimas dėl kitų priežasčių nutraukiamas, išjunkite elektrinį įrankį ir nejudinkite jo, kol diskas visiškai nenustos sukstis. Niekada nebandykite besisukančio disko traukti iš pjūvio, nes gali susidaryti atatranka.** Ištrikite ir imkitės tinkamų veiksmų, kad pašalintumėte disko užstrigimo priežastį.
8. **Nepradėkite iš naujo pjauti, kai diskas ruošinyje. Leiskite, kad diskas pasiektų visą greitį ir tik tada atsargiai įleiskite jį į pjūvį.** Diskas gali įstrigti, iššokti arba atšokti, jeigu elektrinis įrankis bus iš naujo paleistas diskui esant ruošinyje.
9. **Plokštės ar kitus per didelio dydžio ruošinius paremkite ir taip sumažinkite pavojų, kad diskas bus suspaustas ir atšoks.** Dideli ruošiniai linksta dėl savo pačių svorio. Ruošinį reikia paremti iš abiejų disko pusių, šalia pjovimo linijos ir prie ruošinio krašto.
10. **Ypač būkite atsargūs įpjaudami sienas arba kitas aklinas vietas.** Atsikišęs diskas gali prapjauti dujų ar vandens vamzdžius, elektros laidus arba objektus, kurie gali sukelti atatranką.

Atatranka ir su ja susiję įspėjimai

Atatranka yra staigi reakcija į besisukančio disko sugnybimą arba užstrigimą. Suspaudimas arba sugriebimas sukelia staigų besisukančio disko sulaikymą, dėl kurio nevaldomas elektrinis įrankis sulaikymo taške verčiamas judėti priešinga disko sukimuisi kryptimi. Pavyzdžiui, jeigu šlifavimo diską suspaudžia ruošinys, disko kraštas, kuris patenka į suspaudimo tašką, gali įsikirsti į medžiagos paviršių ir dėl to diskas atšoks. Diskas gali atšokti į operatorių arba nuo jo; tai priklauso nuo disko sukimosi krypties suspaudimo metu. Šlifavimo diskas tokiomis sąlygomis gali ir sulūžti. Atatranka yra piktnaudžiavimo elektriniu įrankiu ir (arba) netinkamų darbo procedūrų ar sąlygų rezultatas, jos galima išvengti vadovaujantis toliau nurodytomis atsargumo priemonėmis.

1. **Tvirtai laikykite elektrinį įrankį ir stovėkite taip, kad jūsų kūnas bei ranka netrukdytų priešintis atatrankos jėgoms.** Visada naudokite papildomą rankeną, jei tokia yra, kad įjungimo metu galėtumėte maksimaliai valdyti atatranką ar sukamojo momento reakcijas. Operatorius gali valdyti sukamojo momento reakciją bei atatrankos jėgą, jei imasi atitinkamų atsargumo priemonių.
2. **Niekada nelaikykite rankos šalia besisukančio priedo.** Priedas gali atsitrenkti į jūsų ranką.

Papildomi saugos įspėjimai:

1. **Prieš naudodami segmentuotą deimantinį diską, įsitikinkite, ar periferiniai tarpeliai tarp deimantinio disko segmentų yra 10 mm arba mažesni, tik neigiamo nuolydžio kampo.**
2. **Nemėginkite pjauti įrankiu, apvertę jį spaustuvoje.** Tai ypač pavojinga, todėl galima sunaikiai susižeisti.
3. **Kai kuriose medžiagose esama cheminių medžiagų, kurios gali būti nuodingos. Saugokitės, kad neįkvėptumėte dulkių ir nesiliestumėte oda.** Laikykites medžiagų tiekėjo saugos duomenų.
4. **Saugokite diskus, atsižvelgdami į gamintojo rekomendacijas.** Netinkamai saugojant diskus, jie gali būti sugadinti.
5. **Visada naudokite darbu ir pjautinai medžiagai tinkamą diską.**
6. **Prieš įpjaudami patikrinkite pjautiną medžiagą.** Jei medžiagos sudėtyje yra sprogių ar degių medžiagų, ji gali sukelti sprogią ar gaisrą.
7. **Neįjunkite įrankio, jei tarp saugliko ir disko įstrigęs pašalinis objektas.** Tokiu atveju išimkite akumulatoriaus kasetę ir pašalinkite pašalinį objektą.

8. Kai įmanoma, ruošinį įtvirtinkite spaustuvais ar pan. įrankiu.
9. Dirbdami visada dėvėkite klausos apsaugos priemones.
10. Šiuo įrankiu nepjaukite medienos.
11. Disko išorinis skersmuo bei storis neturi viršyti elektrinio įrankio pajėgumo duomenų. Netinkamo dydžio diskai nebus pakankamai apsaugomi arba tinkamai valdomi.
12. Dirbdami elektriniu įrankiu, tvirtai laikykite jį ir stovėkite taip, kad jūsų kūnas bei ranka leistų priešintis atitranskos jėgoms.
13. Saugokite rankas ir veidą nuo besisukančio disko.
14. Nustatykite disko dangtį į darbui tinkamą padėtį.
15. Kai naudojate įrankį ant purvinos dirvos, drėgno nuolydžio ar slidžios vietos, atkreipkite dėmesį į pagrindą po kojomis.
16. Neparandinkite įrankio į balą.
17. Nepalikite įrankio lauke lyjant.
18. Nekeiskite akumuliatoriaus lyjant.
19. Įrankio laikymo vietos neturėtų pasiekti tiesioginiai saulės spinduliai ir lietus; laikykite ten, kur jis nesuslįps ir neįkais.

SAUGOKITE ŠIAS INSTRUKCIJAS.

⚠️ISPĖJIMAS: NELEISKITE, kad patogumas ir gaminio pažinimas (įgyjamas pakartotinai naudojant) susilpnintų griežtą saugos taisyklių, taikytinų šiam gaminiui, laikymąsi. Dėl NETINKAMO NAUDOJIMO arba saugos taisyklių, kurios pateiktos šioje instrukcijoje, nesilaikymo galima rimtai susižeisti.

Svarbios saugos instrukcijos, taikomos akumuliatoriaus kasetei

1. Prieš naudodami akumuliatoriaus kasetę, perskaitykite visas instrukcijas ir perspėjimus ant (1) akumuliatorių įkroviklio, (2) akumuliatorių ir (3) akumuliatorių naudojančio gaminio.
2. Neardykite ir negadinkite akumuliatoriaus kasetės. Dėl to ji gali užsidegti, per daug įkaisti arba sprogti.
3. Jei įrankio darbo laikas žymiai sutrumpėjo, nedelsdami nutraukite darbą su įrankiu. Tai gali kelti perkaitimo, nudegimų ar net sprogmą pavojų.
4. Jei elektrolitas pateko į akis, plaukite jas tyru vandeniu ir nedelsdami kreipkitės į gydytoją. Gali kilti regėjimo praradimo pavojus.
5. Neužtrumpinkite akumuliatoriaus kasetės:
 - (1) Nelieskite kontaktų degiomis medžiagomis.
 - (2) Venkite laikyti akumuliatoriaus kasetę kartu su kitais metaliniais daiktai, pavyzdžiui, vinimis, monetomis ir pan.
 - (3) Saugokite akumuliatoriaus kasetę nuo vandens ir lietaus.

- Trumpasis jungimas akumuliatoriuje gali sukelti stiprią srovę, perkaitimą, galimus nudegimus ar net akumuliatoriaus gedimą.
6. Nelaikykite ir nenaudokite įrankio ir akumuliatoriaus kasetės vietose, kur temperatūra gali pasiekti ar viršyti 50 °C (122 °F).
7. Nedeginkite akumuliatoriaus kasetės, net jei yra stipriai pažeista ar visiškai susidėvėjusi. Ugnyje akumuliatoriaus kasetė gali sprogti.
8. Akumuliatoriaus kasetės nekalkite, nepjausykite ir nemėtykite ir taip pat į ją netrunkykite kietu daiktu. Taip elgiantis, ji gali užsidegti, per daug įkaisti arba sprogti.
9. Nenaudokite pažeisto akumuliatoriaus.
10. Įdėtomis ličio jonų akumuliatoriams taikomi Pavojaingų prekių teisės akto reikalavimai.

Komerčinis transportas, pvz., trečiųjų šalių, prekių vežimo atstovų, turi laikytis specialaus reikalavimo ant pakuočių ir ženklavimo.

Norėdami paruošti siųstiną prekę, pasitarkite su pavojaingų medžiagų specialistu. Be to, laikykitės galimai išsamesnių nacionalinių reglamentų. Užklijuokite juosta arba padenkite atvirus kontaktus ir supakuokite akumuliatorių taip, kad ji pakuo-tėje nejudėtų.
11. Kai išmetate akumuliatoriaus kasetę, išimkite ją iš įrankio ir išmeskite saugioje vietoje. Vadovaukitės vietos reglamentais dėl akumuliatorių išmetimo.

12. Baterijas naudokite tik su „Makita“ nurodytais gaminiais. Baterijas įdėjus į netinkamus gaminius gali kilti gaisras, gaminys pernelyg įkaisti, kilti sprogmias arba pratekėti elektrolitas.
13. Jei įrankis bus ilgą laiką nenaudojamas, akumuliatorių būtina išimti iš įrankio.
14. Darbo metu ir po akumuliatoriaus kasetė gali būti įkaitusi ir dėl to nudeginti. Imdami akumuliatoriaus kasetes, būkite atsargūs.
15. Tuojau pat po naudojimo nelieskite įrankio gnybtų, nes jie gali būti įkaitę tiek, kad nudegins.
16. Neleiskite, kad į akumuliatoriaus kasetės gnybtus, angas ir griovelius patektų drožlių, dulkių ar žemių. Jos gali sukelti kaitimą, užsidegti, sprogti ir sukelti įrankio ar akumuliatoriaus kasetės gedimą, dėl ko galima nusidiegti ar susižealoti.
17. Jeigu įrankis nėra pritaikytas naudoti šalia aukštos įtampės elektros linijų, akumuliatoriaus kasetės nenaudokite šalia aukštos įtampės elektros linijų. Dėl to gali sutrikti įrankio ar akumuliatoriaus kasetės veikimas arba jie gali sugesti.
18. Laikykite akumuliatorių vaikams nepasiekiamoje vietoje.

SAUGOKITE ŠIAS INSTRUKCIJAS.

⚠️PERSPĖJIMAS: Naudokite tik originalų „Makita“ akumuliatorių. Neoriginalaus „Makita“ arba pakeisto akumuliatoriaus naudojimas gali nulemti gaisrą, asmens sužalojimą ir pažeidimą. Tai taip pat panaikina „Makita“ suteikiamą „Makita“ įrankio ir įkroviklio garantiją.

Patarimai, ką daryti, kad akumulatorius veiktų kuo ilgiau

1. Pakraukite akumulatoriaus kasetę prieš jai visiškai išsikraunant. Visuomet nustokite naudoti įrankį ir pakraukite akumulatoriaus kasetę, kai pastebite, kad įrankio galia sumažėjo.
2. Niekada nekraukite iki galo įkrautos akumulatoriaus kasetės. Perkraunant trumpėja akumulatoriaus eksploatacijos laikas.

3. Akumulatoriaus kasetę kraukite esant kambario temperatūrai 10 - 40 °C. Prieš pradėdami krauti, leiskite įkaitusiai akumulatoriaus kasetei atvėsti.
4. Kai akumulatoriaus kasetės nenaudojate, ją išimkite iš įrankio ar įkroviklio.
5. Įkraukite akumulatoriaus kasetę, jei jos nenaudojate ilgą laiką (ilgiau nei šešis mėnesius).

DALIŲ APRAŠYMAS

► Pav.1

1	Šlifuojamasis nupjovimo diskas / deimantinis diskas	2	Disko saugiklis	3	Disko dangčio rankena	4	Priekinė rankena
5	Lemputė	6	Akumulatoriaus kasetė	7	Atlaisvinimo mygtukas	8	Ratukas
9	Ašies fiksatoriaus mygtukas	10	Dangtis (V formos diržui)	11	Čiaupas	12	Vandens leidimo anga
13	Rankena	14	Gaidukas	15	Lemputės mygtukas	16	Perkrovis indikatorius
17	Jungiamoji mova	18	Veržliaraktis	-	-	-	-

VEIKIMO APRAŠYMAS

▲ PERSPĖJIMAS: Prieš pradėdami reguliuoti arba tikrinti įrankio veikimą, visuomet būtinai išjunkite įrankį ir išimkite akumulatoriaus kasetę.

Akumulatoriaus kasetės uždėjimas ir nuėmimas

▲ PERSPĖJIMAS: Prieš įdėdami arba išimdami akumulatoriaus kasetę, visada išjunkite įrankį.

▲ PERSPĖJIMAS: Įdėdami arba išimdami akumulatoriaus kasetę, tvirtai laikykite įrankį ir akumulatoriaus kasetę. Jeigu įrankį ir akumulatoriaus kasetę laikysite netvirtai, jie gali išslysti iš jūsų rankų, todėl įrankis ir akumulatoriaus kasetė gali būti sugadinti, o naudotojas sužalotas.

Jei norite įdėti akumulatoriaus kasetę, ant akumulatoriaus kasetės esantį liežuvelį sutapdinkite su korpuse esančiu grioveliu ir įstumkite jį į skirtą vietą. Įstatykite iki pat galo, kad spragtelėdama užsifikuotų. Jeigu matote raudoną indikatorių viršutinėje mygtuko pusėje, vadinasi, ji nėra visiškai užfiksuota.

- Pav.2: 1. Raudonas sandariklis (indikatorius)
2. Mygtukas 3. Akumulatoriaus kasetė

Norėdami išimti akumulatoriaus kasetes, spausdami akumulatoriaus kasetės priekyje esantį mygtuką, ją pakelkite.

▲ PERSPĖJIMAS: Akumulatoriaus kasetę visada įkiškite iki galo, kol nebematysite raudono indikatoriaus. Priešingu atveju ji gali atsitiktinai iškristi iš įrankio, sužeisti jus arba aplinkinius.

▲ PERSPĖJIMAS: Nekiškite akumulatoriaus kasetės jėga. Jeigu kasetė sunkiai lenda, ją kišate netinkamai.

PASTABA: Įrankis neveikia tik su viena akumulatoriaus kasete.

Likusios akumulatoriaus galios rodymas

Paspauskite akumulatoriaus kasetės tikrinimo mygtuką, kad būtų rodoma likusi akumulatoriaus energija. Maždaug trims sekundėms užsidegs indikatorius lemputės.

- Pav.3: 1. Indikatorius lemputės 2. Tikrinimo mygtukas

Indikatorius lemputės			Likusi galia
Šviečia	Nešviečia	Blyksti	
■ ■ ■ ■			75 - 100 %
■ ■ ■ □			50 - 75 %
■ ■ □ □			25 - 50 %
■ □ □ □			0 - 25 %
▣ □ □ □			Įkraukite akumulatorių.
■ ■ □ □			Galimai įvyko akumulatoriaus veikimo triktis.
□ □ ■ ■			

PASTABA: Rodmuo gali šiek tiek skirtis nuo faktinės energijos lygio – tai priklauso nuo naudojimo sąlygų ir aplinkos temperatūros.

PASTABA: Veikiant akumulatoriaus apsaugos sistemai ims mirksėti pirmoji (toliausiai kairėje) indikatoriaus lemputė.

Įrankio / akumulatoriaus apsaugos sistema

Įrankyje įrengta įrankio / akumulatoriaus apsaugos sistema. Ši sistema automatiškai atjungia variklio maitinimą, kad įrankis ir akumulatorius ilgiau veiktų. Įrankis automatiškai išsijungs darbo metu esant vienai iš toliau nurodytų įrankio arba akumulatoriaus darbo sąlygų. Esant tam tikroms sąlygoms užsidega indikatoriai.

Apsauga nuo perkrovos

Kai įrankis / akumulatorius naudojamas taip, kad neįprastai padidėja elektros srovė, įrankis automatiškai išsijungia. Tokiu atveju išjunkite įrankį ir nutraukite darbą, dėl kurio kilo įrankio perkrova. Tada vėl įjunkite įrankį.

Apsauga nuo perkaitimo

Įrankiui ar akumulatoriui perkaitus, įrankis automatiškai išsijungia ir mirksi lemputė. Tokiu atveju palaukite, kol įrankis atvės, paskui vėl jį įjunkite.

Apsauga nuo visiško išsikrovimo

Išsekus akumulatoriui, įrankis automatiškai sustabdomas ir ima mirksėti akumulatoriaus kasetės lemputė. Jei įrankis neveikia net ir spaudžiant jungiklius, išimkite akumulatorių iš įrankio ir įkraukite jį.

Apsaugos nuo kitų priežasčių

Apsaugos sistema taip pat apsaugo nuo kitų priežasčių, galinčių pažeisti įrankį, todėl automatiškai jį išjungia. Įrankiui laikinai sustojus arba veikimo metu išsijungus, imkitės visų toliau nurodytų veiksmų ir pašalinkite to priežastis.

1. Išjunkite įrankį, tada vėl įjunkite, kad paleistumėte iš naujo.
2. Įkraukite akumulatorių (-ius) arba jį (juos) pakeiskite įkrautu (-ais) akumulatoriumi (-iais).
3. Palaukite, kol įrenginys ir akumulatorius (-iai) atvės.

Jei, atkūrus apsaugos sistemą, veikimas nepagerėja, kreipkitės į vietos „Makita“ priežiūros centrą.

PASTABA: Jei įrankis sustoja dėl pirmiau neapibūdintos priežasties, žr. trikių šalinimo skyrių.

Įspėjimas apie perkrovą

Jeigu įrankis naudojamas esant pernelyg didelei apkrovai, perkrovos indikatoriaus mirksės raudonai. Tokiu atveju sumažinkite įrankiui tenkančią apkrovą. Indikatoriaus nustoja mirksėti.

► **Pav.4:** 1. Perkrovos indikatoriaus

Jungiklio veikimas

▲ISPĖJIMAS: Prieš montuodami akumulatoriaus kasetę įrankyje, visuomet patikrinkite, ar gaidukas tinkamai veikia ir atleistas grįžta į išjungimo padėtį „OFF“.

▲ISPĖJIMAS: NIEKADA neužklijuokite atlaisvinimo mygtuko lipnia juostele ir nepanaikinkite jo funkcijos kitomis priemonėmis. Jungiklis su užblokuotu atlaisvinimo mygtuku gali netyčia įjungti įrankį ir operatorius gali būti sunkiai sužeistas.

▲ISPĖJIMAS: NIEKADA nenaudokite įrankio, jei jis veikia nuspaudus tik gaiduką, tačiau nenuspaudus atlaisvinimo mygtuko. Jungiklis, kurį reikia taisyti, gali netyčia įjungti įrankį ir operatorius gali būti sunkiai sužeistas. PRIEŠ pradėdami vėl naudoti įrankį, atiduokite jį suremontuoti į „Makita“ techninės priežiūros centrą.

Atlaisvinimo mygtukas neleidžia atsitiktinai paspausti gaiduko. Jei norite įjungti įrankį, paspauskite atlaisvinimo mygtuką ir gaiduką. Norėdami sustabdyti, gaiduką atleiskite.

► **Pav.5:** 1. Gaidukas 2. Atlaisvinimo mygtukas

PASTABA: Negalima stipriai spausti gaiduko, nenuspaudus atlaisvinimo mygtuko. Taip galima sulaužyti jungiklį.

Lemputės įjungimas

▲PERSPĖJIMAS: Nežiūrėkite tiesiai į šviesą arba šviesos šaltinį.

Norėdami įjungti lemputę, paspauskite lemputės mygtuką. Norėdami ją išjungti, dar kartą paspauskite lemputės mygtuką.

► **Pav.6:** 1. Lemputės mygtukas 2. Lemputė

PASTABA: Jei įrankiu nebus atliekama jokių veiksmų vieną minutę, lemputė bus išjungta automatiškai.

Disko dangčio reguliavimas

Paimkite už disko dangčio rankenos ir nustatykite disko dangčio padėtį taip, kad tiktų darbiui.

► **Pav.7:** 1. Disko dangčio rankena

Aktyvaus grįžtamojo ryšio aptikimo technologija

Įrankio elektronika aptinka situacijas, kurioms esant diskas gali įstrigti. Tokiu atveju įrankis automatiškai išsijungia, kad velenas daugiau nesisuktų (tai nepadedą išvengti atitranskos).

Norėdami iš naujo įjungti įrankį, pirmiausia išjunkite jį, pašalinkite staigaus užstrigimo priežastį, tada vėl įjunkite įrankį.

Elektrinis stabdys

Elektrinis stabdys suaktyvinamas išjungus įrankį. Stabdys neveikia atjungus maitinimą, pvz., atsitiktinai ištraukus akumulatorių, tačiau neišjungus jungiklio.

SURINKIMAS

▲ PERSPĖJIMAS: Prieš darydami ką nors įrankiui visada patikrinkite, ar įrenginys išjungtas, o akumuliatorių kasetė – nuimta.

Šlifuojamojo nupjovimo disko / deimantinio disko montavimas arba nuėmimas

▲ PERSPĖJIMAS: Montuodami ar nuimdami diską naudokite tik „Makita“ veržliaraktį.

▲ PERSPĖJIMAS: Sumontavę diską, patikrinkite, ar tvirtai užveržėte varžtą.

▲ PERSPĖJIMAS: Kai diskas sukasi, nespauskite ašies fiksatoriaus mygtuko.

Norėdami nuimti diską, paspauskite ašies fiksatoriaus mygtuką ir sukite diską, kol jis nebegalės sukstis. Kai ašies fiksatorius bus visiškai užblokuotas, moviniu veržliarakčiu sukite šešiakampį varžtą prieš laikrodžio rodyklę. Tada nuimkite šešiakampį varžtą, jungę, diską, žiedą ir kitą jungę.

► **Pav.8:** 1. Ašies fiksatoriaus mygtukas
2. Veržliaraktis 3. Priveržti 4. Atlaisvinti

► **Pav.9:** 1. Varžtas su šešiabriaune lizdine galvute
2. Jungė 3. Žiedas 4. Šlifuojamasis nupjovimo diskas / deimantinis diskas 5. Rodyklė (disko sukimosi kryptis)

Norėdami sumontuoti diską, atlikite nuėmimo veiksmus atvirkščia tvarka.

BŪTINAI PATIKIMAI UŽVERŽKITE ŠEŠIAKAMPĮ VARŽTĄ.

▲ PERSPĖJIMAS: Diską visuomet dėkite taip, kad ant jo esanti rodyklė būtų nukreipta ant disko saugiklio esančios rodyklės kryptimi. Antraip diskas sukis priešinga kryptimi ir kils kūno sužalojimo pavojus.

▲ PERSPĖJIMAS: Naudokite tik diską, ant kurio nurodytas sukimosi greitis prilygsta arba viršija ant įrankio nurodytą sukimosi greitį.

PASTABA: Montuodami diską, būtina prijunkite jungęs taip, kad plokščioji jungės pusė būtų nukreipta į diską. Tada prijunkite žiedą, kuris atitinka vidinį disko skersmenį.

► **Pav.10:** 1. Šešiakampis varžtas 2. Jungė 3. Žiedas
4. Šlifuojamasis nupjovimo diskas / deimantinis diskas

Jungimas prie vandens tiekimo šaltinio

1. Pasiruoškite vandens žarną.
 2. Nuimkite veržlę nuo jungiamosios movos ir prakiškite žarną per veržlę. Įkiškite žarnos galą į jungiamąją movą ir ranka priveržkite veržlę.
- **Pav.11:** 1. Vandens žarna 2. Jungiamosios movos veržlė 3. Jungiamoji mova

3. Prijunkite vandens žarną prie vandens tiekimo šaltinio.

Jungdami prie vandens čiaupo, naudokite tinkamą tvirtinimo detalę, pvz., žarnos tvirtinimo juostelę ar vandens čiaupo jungtį.

► **Pav.12:** 1. Žarnos tvirtinimo juostelė 2. Vandens čiaupo jungtis 3. Vandens žarna

PASTABA: Tvirtinimo detalę reikia pasirinkti priklausomai nuo čiaupo, prie kurio norima jungti, formos. Pasiruoškite tinkamą komercinio platinimo vietose parduodamą tvirtinimo detalę.

PASTABA: Jei naudojate vandens čiaupo jungtį, pasiruoškite kitą jungiamąją movą ir prijunkite ją prie kito žarnos galo.

PASTABA: Kai naudojate vandens siurbį, prijungdami vandens žarną laikykitės vandens siurblio instrukcijų.

4. Spauskite jungiamąją movą į vandens įleidimo angą, kol spragtelėdama užsifiksuos.

► **Pav.13:** 1. Jungiamoji mova 2. Vandens įleidimo anga 3. Čiaupas

PASTABA: Čiaupo neatsukite, kol nepradėsite pjauti naudodami tiekiamą vandenį. Informacijos, kaip tiekti vandenį, žr. naudojimo skyriuje.

NAUDOJIMAS

▲ PERSPĖJIMAS: Darbo metu tvirtai laikykite įrankį ant stabilaus darbaltalio arba stalo.

▲ PERSPĖJIMAS: Nesukite ir nestumkite įrankio į pjūvį jėga, nes variklis gali būti perkrautas arba gali sudužti ruošinys.

Pjovimas

▲ PERSPĖJIMAS: Darbo metu nekelkite įrankio į didesnę nei jūsų pečių aukštį.

► **Pav.14**

Tvirtai laikykite įrankį. Rankeną laikykite dešiniąja ranka, o priekinę rankeną – kairiąja ranka. Kad išvengtumėte elektros šoko netyčia įpjovę elektros kabelį, visada laikykite priekinę rankeną už tam skirtos dalies, kaip parodyta iliustracijoje.

► **Pav.15:** 1. Laikytina dalis

Pastumkite įrankį virš ruošinio paviršiaus, laikydami plokščiai ir tolygiai stumdami į priekį, kol baigsite pjauti. Pjunkite tiesia linija, vienodu greičiu.

► **Pav.16**

PASTABA: Kai akumulatoriaus kasetė yra šalta, įrankis gali veikti ne visu pajėgumu. Tokiu atveju kurį laiką naudokite įrankį, pavyzdžiui, nedideliams pjovimo darbams, kol akumulatoriaus kasetė sušils iki kambario temperatūros. Tuomet įrankis galės veikti visu pajėgumu.

PASTABA: Jeigu deimantinio disko pjovimo galia sumažėtų, nušlifaukite disko pjovimo kraštą senu šlifavimo staklių disku arba į betono bloką. Šlifaukite lengvai paspausdami išorinį deimantinio disko kraštą.

Kai pjaunant tiekiamas vanduo

▲ PERSPĖJIMAS: Naudodami drėgnojo tipo deimantinį diską, pjaudami visada tiekite vandenį.

Prijunkite įrankį prie vandens tiekimo šaltinio ir sukite čiaupą rodyklės kryptimi, kaip parodyta. Pakoreguokite čiaupo padėtį, kad vandens srautas nebūtų stiprus.

► **Pav.17:** 1. Čiaupas

▲ PERSPĖJIMAS: Kai tiekiamas vanduo, visada laikykite įrankio galvutę žemiau nei jo korpusas, kad į įrankio mechanizmą nepatektų vandens. Nesilaikant šio nurodymo, kyla elektros smūgio pavojus.

► **Pav.18**

TECHNINĖ PRIEŽIŪRA

▲ PERSPĖJIMAS: Visuomet įsitikinkite, ar įrankis yra išjungtas ir akumulatoriaus kasetė yra nuimta prieš atlikdami apžiūrą ir priežiūrą.

PASTABA: Niekada nenaudokite gazolino, benzino, tirpiklio, spirito arba panašių medžiagų. Gali atsirasti išblukimų, deformacijų arba įtrūkimų.

Kad gaminyt būtų SAUGUS ir PATIKIMAS, jį taisyti, apžiūrėti ar vykdyti bet kokią kitą priežiūrą ar derinimą turi įgaliotasis kompanijos „Makita“ techninės priežiūros centras; reikia naudoti tik kompanijos „Makita“ pagamintą atsargines dalis.

Įrankio valymas

Kaskart po naudojimo ištraukite akumulatoriaus kasetę ir diską, išvalykite disko saugiklyje susikaupusias dulkes, nešvarumus ir metalo atplaišas. Sausa arba muilinu vandeniu sudrėkinta ir nugręžta šluoste nuo įrankio korpuso nuvalykite dulkes ir nešvarumus. Sausa šluoste nuvalykite dulkes nuo lempučių lęšio. Būkite atsargūs, kad nesubraižytumėte lempučių lęšio, nes gali pablogėti apšvietimas.

► **Pav.19:** 1. Disko saugiklis 2. Lempučių sklaidytuvas

Oro angų valymas

Reguliariai išvalykite įrankio oro angas arba tada, kai jos užsikemša.

► **Pav.20:** 1. Ventilacijos anga

Sinchronizavimo diržo keitimas

1. Ištraukite akumulatoriaus kasetę ir nuimkite diską.
2. Movinio veržliarakčio kitu galu atsukite šešiakampės lizdinės galvutės varžtus ir nuimkite dangtį.

► **Pav.21:** 1. Veržliaraktis 2. Šešiakampės lizdinės galvutės varžtas 3. Dangtis

3. Įspauskite ašies fiksatoriaus mygtuką ir palaikykite, kad užrakintumėte didįjį skriemulį. Tada plonuju movinio veržliarakčio galu pasukite veržlę prieš laikrodžio rodyklę.

► **Pav.22:** 1. Didysis skriemulys 2. Ašies fiksatoriaus mygtukas

4. Įspauskite ašies fiksatoriaus mygtuką ir palaikykite, kad užrakintumėte didįjį skriemulį. Tada storuju movinio veržliarakčio galu pasukite mažąjį diską prieš laikrodžio rodyklę, kad atlaisvintumėte sinchronizavimo diržą.

► **Pav.23:** 1. Ašies fiksatoriaus mygtukas 2. Didysis skriemulys 3. Mažasis diskas

5. Nuimkite diržą.

6. Prijunkite vieną diržo galą (grioveliai turi būti vidinėje pusėje) prie mažojo skriemulio, o kitą – prie didžiojo skriemulio.

► **Pav.24:** 1. Diržas 2. Didysis skriemulys 3. Mažasis skriemulys

7. Įspauskite ašies fiksatoriaus mygtuką ir palaikykite, kad užrakintumėte didįjį skriemulį. Tada storuju movinio veržliarakčio galu pasukite mažąjį diską pagal laikrodžio rodyklę, kad priveržtumėte diržą.

► **Pav.25:** 1. Ašies fiksatoriaus mygtukas 2. Didysis skriemulys

PASTABA: Užtikrinkite, kad mažasis diskas būtų reikiamoje padėtyje, kaip parodyta iliustracijoje.

► **Pav.26:** 1. Mažasis diskas

8. Įspauskite ašies fiksatoriaus mygtuką ir palaikykite, kad užrakintumėte didįjį skriemulį. Tada plonuju movinio veržliarakčio galu pasukite veržlę pagal laikrodžio rodyklę.

► **Pav.27:** 1. Ašies fiksatoriaus mygtukas

PASTABA: Veržlę priveržkite 19-21 N•m sukimo momentu.

9. Prijunkite dangtį ir movinio veržliarakčio galu priveržkite šešiakampės lizdinės galvutės varžtus.

► **Pav.28:** 1. Veržliaraktis 2. Šešiakampės lizdinės galvutės varžtas 3. Dangtis

GEDIMŲ ŠALINIMAS

Prieš kreipdamiesi dėl remonto darbų, pirmiausia patikrinkite gedimus patys. Kilus problemų, apie kurias nepaaiškinta vartotojo vadove, nemėginkite ardyti įrankio. Kreipkitės į įgaliotuosius „Makita“ techninės priežiūros centrus, kuriuose remontui visuomet naudojamos originalios „Makita“ keičiamosios dalys.

Neįprasta būklė	Tikėtina priežastis (triktis)	Ištaisomoji priemonė
Neveikia variklis.	Neįdėtos akumuliatoriaus kasetės.	Įdėkite dvi akumuliatoriaus kasetes. Šis įrankis neveikia tik su viena akumuliatoriaus kasete.
	Akumuliatoriaus problema (per maža įtampa)	Įkraukite akumuliatorių. Jei įkrauti nepavyksta, akumuliatoriaus kasetę pakeiskite.
	Netinkamai veikia pavaros sistema.	Dėl remonto kreipkitės į vietinį įgaliotąjį techninės priežiūros centrą.
Po trumpo naudojimo laikotarpio variklis nustoja veikęs.	Mažas akumuliatoriaus įkrovos lygis.	Įkraukite akumuliatorių. Jei įkrauti nepavyksta, akumuliatoriaus kasetę pakeiskite.
	Perkaitimas.	Nesinaudokite įrankiu ir leiskite jam atvėsti.
Net nepaveikus įrankiui be apkrovos 20 minučių, diskas tinkamai nepagreitėja.	Akumuliatorius netinkamai įdėtas.	Akumuliatorių kasetes įdėkite taip, kaip aprašyta šiame vadove.
	Mažėja akumuliatoriaus galia.	Įkraukite akumuliatorių kasetes. Jei įkrauti nepavyksta, akumuliatoriaus kasetę pakeiskite.
	Praslysta sinchronizavimo diržas.	Pakeiskite sinchronizavimo diržą nauju.
	Netinkamai veikia pavaros sistema.	Dėl remonto kreipkitės į vietinį įgaliotąjį techninės priežiūros centrą.
Diskas nesisuka: ⇒ nedelsdami sustabdykite įrenginį!	Praslysta sinchronizavimo diržas.	Pakeiskite sinchronizavimo diržą nauju.
	Tarp saugiklio ir disko įstrigo pašalinis objektas.	Išimkite akumuliatorių kasetes ir pašalinkite pašalinį objektą.
	Netinkamai veikia pavaros sistema.	Dėl remonto kreipkitės į vietinį įgaliotąjį techninės priežiūros centrą.
Neįprasta vibracija: ⇒ nedelsdami sustabdykite įrenginį!	Netinkamai pritvirtintas diskas.	Įdėkite diską, kaip aprašyta šiame vadove. Patikimai priveržkite disko tvirtinimo varžtą.
	Netinkamai veikia pavaros sistema.	Dėl remonto kreipkitės į vietinį įgaliotąjį techninės priežiūros centrą.
Pjovimo įrankis ir variklis nesustoja: ⇒ Nedelsdami išimkite akumuliatoriaus kasetę!	Elektros ar elektronikos sistemos gedimas.	Išimkite akumuliatorių kasetes ir susisiekite su vietiniu įgaliotuoju priežiūros centru dėl remonto.
Prastai pjaunama	Metas keisti diską.	Pakeiskite diską nauju.
Per įleidimo angą prateka vanduo.	Vanduo prateka per sandarinimo žiedą.	Dėl remonto kreipkitės į vietinį įgaliotąjį techninės priežiūros centrą.

PASIRENKAMI PRIEDAI

⚠ PERSPĖJIMAS: Šiuos papildomus priedus arba įtaisus rekomenduojama naudoti su šioje instrukcijoje nurodytu „Makita“ bendrovės įrankiu. Naudojant bet kokius kitus papildomus priedus arba įtaisus, gali kilti pavojus sužeisti žmones. Naudokite tik nurodytam tikslui skirtus papildomus priedus arba įtaisus.

Jeigu norite daugiau sužinoti apie tuos priedus, kreipkitės į artimiausią „Makita“ techninės priežiūros centrą.

- Šlifuojamasis nupjovimo diskas
- Deimantinis diskas
- Žiedų rinkinys
- Sinchronizavimo diržas
- Jungiamoji mova
- Veržliaraktis
- Originalus „Makita“ akumuliatorius ir įkroviklis

PASTABA: Kai kurie sąraše esantys priedai gali būti pateikti įrankio pakuotėje kaip standartiniai priedai. Jie įvairiose šalyse gali skirtis.

TEHNILISED ANDMED

Mudel:	CE001G
Ketta läbimõõt	355 mm
Maksimaalne ketta paksus	5,0 mm
Maksimaalne löikesügavus	127 mm
Nimipöörlemiskiirus	5 300 min ⁻¹
Nimipinge	Alalisvool 72 V – 80 V max
Toitevee maksimaalne lubatud surve	5,0 baari
Üldpikkus	786 mm
Netokaal	12,3-12,9 kg
Kaitseaste	IPX4

- Meie pideva uuringu- ja arendusprogrammi tõttu võidakse tehnilisi andmeid muuta ilma sellest ette teatamata.
- Tehnilised andmed võivad riigiti erineda.
- Kaal võib erineda olenevalt lisaseadistest, kaasa arvatud akukassetist. Kergeim ja raskeim kombinatsioon EPTA-protseduuri 01/2014 kohaselt on toodud tabelis.

Sobiv akukassett ja laadija

Akukassett	BL4040 / BL4050F* *: Soovituslik aku
Laadija	DC40RA / DC40RB / DC40RC

- Mõned eespool loetletud akukassetid ja -laadid ei pruugi olla teie riigis saadaval.

⚠ HOIATUS: Kasutage ainult ülalpool loetletud akukassette ja laadureid. Muude akukassetide ja laadurite kasutamine võib tekitada vigastusi ja/või tulekahju.

Kavandatud kasutus

Tööriist on ette nähtud löikamiseks metallmaterjalides abrasiivlõikekettaga ja müüritisematerjalides teemantkettaga.

Müra

Tüüpiline A-korrigeeritud müratase, määratud standardi EN60745-2-22 kohaselt:

Helirõhutase (L_{pA}): 109 dB (A)

Helivõimsuse tase (L_{WA}): 120 dB (A)

Määramatus (K): 3 dB (A)

MÄRKUS: Deklareeritud müra väärtust (väärtuseid) on mõõdetud kooskõlas standardse katsemeetodiga ning seda võib kasutada ühe seadme võrdlemiseks teisega.

MÄRKUS: Deklareeritud müra väärtust (väärtuseid) võib kasutada ka mürataseme esmaseks hindamiseks.

⚠ HOIATUS: Kasutage kõrvakaitsmeid.

⚠ HOIATUS: Müratase võib elektritööriista tegelikkuses kasutamise ajal erineda deklareeritud väärtus(t) est olenevalt tööriista kasutusviisidest ja eriti töödeldavast toorikust.

⚠ HOIATUS: Rakendage operaatori kaitsmiseks kindlasti piisavaid ohutusabinõusid, mis põhinevad hinnangulisel müratasemel tegelikus tööolukorras (võttes arvesse tööperioodi kõiki osasid, näiteks korrad, kui seade lülitatakse välja ja seade töötab tühikäigul, lisaks tööajale).

Vibratsioon

Töörežiim: betooni löikamine

Vasak käsi		Parem käsi		Kohaldatav standard
$a_{h,w}$ (m/s ²)	Kõikumine K (m/s ²)	$a_{h,w}$ (m/s ²)	Kõikumine K (m/s ²)	
≤ 2,5	1,5	≤ 2,5	1,5	EN60745-2-22

MÄRKUS: Deklareeritud vibratsiooni koguväärtust (-väärtuseid) on mõõdetud kooskõlas standardse katsemeetodiga ning seda võib kasutada ühe seadme võrdlemiseks teisega.

MÄRKUS: Deklareeritud vibratsiooni koguväärtust (-väärtuseid) võib kasutada ka mürataseme esmaseks hindamiseks.

⚠️HOIATUS: Vibratsioonitase võib elektritööriista tegelikkuses kasutamise ajal erineda deklareeritud väärtus(t)est olenevalt tööriista kasutusviisidest ja eriti töödeldavast toorikust.

⚠️HOIATUS: Rakendage operaatori kaitsmiseks kindlasti piisavaid ohutusabinõusid, mis põhinevad hinnangulisel müratasemel tegelikus tööolukorras (võttes arvesse tööperioodi kõiki osasid, näiteks korrad, kui seade lülitatakse välja ja seade töötab tühikäigul, lisaks tööajale).

EÜ vastavusdeklaratsioon

Ainult Euroopa riikide puhul

EÜ vastavusdeklaratsioon sisaldub käesoleva juhendi Lisas A.

OHUTUSHOIATUSED

Üldised elektritööriistade ohutusohiatused

⚠️HOIATUS: Lugege läbi kõik selle elektritööriista kaasas olevad ohutusohiatused, juhised, joonised ja tehnilised andmed. Järgnevate juhiste eiramine võib põhjustada elektrilöögi, süttimise ja/või raske kehavigastuse.

Hoidke edaspidisteks viideteks alles kõik hoiatused ja juhtnõbrid.

Hoiatuses kasutatud termini „elektritööriist“ all peetakse silmas elektriga töötavaid (juhtmega) elektritööriistu või akuga töötavaid (juhtmeta) elektritööriistu.

Juhtmeta löikuri ohutusnõuded

1. Tööriistaga kaasas olev kaitsepiire peab olema kinnitatud seadme külge kindlalt ja suurimat ohutust tagavas asendis, nii et võimalikult väike osa ketta kasutajapoolsest küljest on katmata. Ärge seiske ise ja ärge lubage kõrvalistel isikutel seista kohakuti pöördeketta tasapinnaga. Piire aitab käitajat purunenud kettatükkide ja kettaga juhuslikku kokkupuutesse sattumise eest kaitsta.
2. Kasutage sellel elektritööriistal ainult liimitud tugevdatud või teemantlöikekettaid. Kuigi tarvik võib sobituda elektritööriista külge, ei taga see ohutut töötamist.
3. Tarviku nimikiirus peab olema vähemalt võrdne elektritööriistale märgitud maksimaalse kiirusega. Tarvikud, mis töötavad nimikiirusest suuremal kiirusel, võivad katki minna ja laiali lennata.

4. Kettaid tohib kasutada ainult sellel otstarbel, milleks need on mõeldud. Näiteks ärge kasutage löikeketta külge lihvimiseks. Abrasiivlöikekettad on ette nähtud raketipindade lihvimiseks, nendele ketastele rakendatavad küljõud võivad ketta purustada.
5. Kasutage alati rikkumata servadega kettaid, mille läbimõõt sobib valitud tööriistaga. Sobivad kettaäärrikud toestavad kettast, vähendades ketta purunemise ohtu.
6. Ärge kasutage suuremate elektritööriistade kulunud tugevdatud kettaid. Suurema elektritööriista jaoks tehtud ketas ei sobi väiksema tööriista suurema kiirusega ja võib puruneda.
7. Tarviku välisdiameeter ja paksus peavad jääma teie elektritööriista puhul ettenähtud parameetrite nimiaandmete vahemikku. Valede mõõtudega tarvikud ei ole tööriistas nõuetekohaselt kaitstud ega kontrolli all.
8. Kettavõlli ava ja äärikute suurus peavad sobima elektritööriista võlli suurusega. Elektritööriista kinnitustahvliga mittesobivate avadega ketaste ja äärikute paigaldamisel lähivad viimased tasakaalust välja, vibreerivad tugevalt ja võivad põhjustada juhitavuse kaotust.
9. Ärge kasutage rikutud servadega kettaid. Enne igakordset kasutamist kontrollige, et kettal ei oleks tükkeid ja mörasid. Juhul, kui elektritööriist või ketas peaks maha kukkuma, kontrollige, et ei esineks kahjustusi või paigaldage uus ketas. Pärast ketta kontrollimist ja paigaldamist, seadke ennast ja kohalviibijad pöördeketta terast eemale ja käituge elektritööriista maksimaalsel kiirusel ilma koormuseta ühe minuti jooksul. Rikutud kettad purunevad tavaliselt testimise käigus.
10. Kandke isiklikku kaitsevarustust. Rakendusest olenevalt kandke näokaitset, kaitseprille või prille. Vajadusel kandke tolmumaski, kõrvaklappe, kindaid ja tööpõlle, mis kaitseb väikeste lihvimis- või töödeldava detaili osakeste eest. Silmakaitsemed peavad kaitsma töö käigus tekkivate filtreeruvate osakeste eest. Alaline kokkupuude suure müraga võib põhjustada kuulmiskahjustuse.

11. **Hoidke kõrvalseisjad tööalast turvalises kauguses. Kõik, kes sisenevad tööalasse, peavad kandma kaitsevarustust.** Töödeldava detaili osakesed või purunenud ketas võivad lenduda ja põhjustada vigastuse tööpiirkonna vahetus läheduses viibijatele.
12. **Hoidke elektritööriista ainult isoleeritud haardepindadest, kui töotate kohas, kus löikeketera puutuda vastu varjatud juhtmeid.** Voolu all oleva juhtmega kokkupuutes sattunud löikeketera võib pingestada elektritööriista metallosi ning põhjustada kasutajale elektrilöögi.
13. **Ärge pange elektritööriista maha, kui tarviku liikumine pole täielikult peatunud.** Pöörlev tarvik võib pinna külge takerduda ja elektritööriist võib kontrolli alt väljuda.
14. **Ärge käitage elektritööriista ajal, kui kannate seda.** Juhuslik kokkupuude pöörleva tarvikuga võib põhjustada riiete kinnijäämist ja tarviku kehase tõmmata.
15. **Puhastage elektritööriista õhuavasid regulaarselt.** Mootori ventilaator tõmbab tolmu korpusesse ja metallitolmu liigne kogunemine võib põhjustada elektriõhtu.
16. **Ärge kasutage seadet tuleohtlike materjalide lähedal.** Need materjalid võivad sädemetest süttida.
5. **Ärge kinnitage tööriista külge saeketti, puunikerdustera, segmenteeritud teemantketast, mille servasivendite laius on suurem kui 10 mm, ega hambulist saetera.** Sellised terad tekitavad sageli tagasilööki ja juhitavuse kadu.
6. **Ärge „ummistage“ ketast ega rakendage liigest jõudu.** Ärge püüdke teha liiga sügavat lõiget. Ketta ülepingestamine suurendab ketta koormust ja vastuvõtlikkust väandumisele või kinnijäämisele löikes ning tagasilöögi esinemise või ketta purunemise võimalust.
7. **Kui ketas kiilub kinni või löikamine katkeb mingil põhjusel, lülitage elektritööriist välja ja hoidke tööriista liikumatult kuni ketta täieliku seisumiseni.** Ärge kunagi püüdke ketast lõikest eemaldada ketta liikumise ajal, sest vastasel juhul võib tekkida tagasilöökk. Selgitage välja ketta kinnijäämise põhjus ja rakendage asjakohast parandusmeetet põhjuse kõrvaldamiseks.
8. **Ärge käivitage lõikamist töödeldivas detailis. Laske kettal saavutada täiskiripe ja sisenege seejärel uuesti ettevaatlikult lõikesse.** Kui elektritööriist taaskäivitatakse töödeldivas detailis, võib ketas kinni jääda, ülespoole liikuda või põhjustada tagasilöögi.
9. **Vähendamaks ketta pitsumise ja tagasilöögi ohtu, toestage paneelid või ülemõõdulised töödeldivad detailid.** Suured detailid hakkavad painduma omaenese raskuse all. Toed tuleb paigutada töödeldiva detaili alla lõikejoone lähedale ja tooriku serva lähedale ketta mõlemal küljel.
10. **Olge eriti ettevaatlik, kui teete „sukelduslõikamist“ olemasolevates seintes või muudes varjatud piirkondades.** Väljaulatuv löikeketera võib lõikuda gaasi- või veetorudesse, elektrijuhtmetesse või muudesse esemetesse ning põhjustada tagasilöögi.

Tagasilöökk ja vastavad hoiatused

Tagasilöökk on kinnikiilunud või mõne eseme otsa sattunud pöörleva lõikeketta ootamatu reaktsioon. Kinnikiilumine või pörkimine põhjustab pöörleva ketta kiiret seismajäämist, mis omakorda sunnib juhitamatut elektritööriista liikuma vastassuunas ketta pöörlemise suunale ühenduspunkti.

Näiteks kui abrasiivne ketas kiilub kinni töödeldivasse detaili, võib kinnikiilumiskohta sisenenud lõikeketta serv materjali pinda tungida, mille tagajärjel lõikeketas hüppab välja või põhjustab tagasilöögi. Lõikeketas võib hüpata kasutaja poole või kasutajat eemale olenevalt ketta liikumissuunast kinnikiilumiskohas. Lihvketad võivad neis tingimustes samuti puruneda.

Tagasilöökk tekib elektritööriista väärkasutamisel ja/või mittevastava tööprotseduuri või -tingimuste korral ning on vältidav, kui rakendate alljärgnevalt esitatud vastavaid ettevaatusabinõusid.

1. **Hoidke elektritööriistast tugevasti kinni ning seadke keha ja küünarnukk sellisesse asendisse, mis võimaldab tagasilöögile õigesti reageerida.** Kasutage alati abikäepidet, kui see on olemas, et tööriista käivitamisel tagasilöögi ja pöördemomendi vastumõju üle kontrolli saavutada. Asjakohaste ettevaatusabinõude rakendamisel saab operaator tagasilöögi ja pöördemomendi vastumõju kontrollida.
2. **Ärge kunagi asetage kätt pöörleva tarviku lähedale.** Te võite tarvikult tagasilöögi saada.
3. **Ärge seadke ennast ühele joonele pöörleva lõikekettaga.** Ärge viibige alas, kus elektritööriist võib tagasilöögi ajal liikuda. Tagasilöökk paneb tööriista pörkekohas ketta liikumissuunale vastupidises suunas liikuma.
4. **Olge eriti ettevaatlik, kui töötlete nurki, teravide servi jne. Vältige tarviku pörkimist esemete vastu.** Nurgad, teravad servad ja tagsipörkimine on tavaliselt nendeks teguriteks, mis võivad põhjustada pöörleva tarviku kinnijäämist, kontrolli kaotamist või tagasilööki.

Lisaturvahoiatused:

1. **Enne segmentidega servaga teemantketta kasutamist veenduge, et teemantketta serva segmentide vahe on 10 mm või vähem ning et tegemist on kindlasti löikeketera negatiivse esinurgaga.**
2. **Ärge kunagi püüdke lõigata rakises tagurpidises asendis hoitava tööriistaga.** See on äärmiselt ohtlik ja võib põhjustada tõsisid õnnetusi.
3. **Mõned materjalid võivad sisaldada mürgiseid aineid. Võtke meetmed tolmu sissehingamise ja nahaga kokkupuute vältimiseks.** Järgige materjali tarnija ohutusteavet.
4. **Hoiundage kettaid vastavalt tootja soovitusetele. Mittenõuetekohane hoiundamine võib kettaid kahjustada.**
5. **Kasutage alati oma töö ja lõigatava materjali jaoks sobivat ketast.**
6. **Enne lõikamist uurige materjali, mida hakkate lõikama.** Kui materjal sisaldab plahvatus- või tuleohtlikke aineid, võib see põhjustada plahvatus- või tulekahju.
7. **Ärge lülitage tööriista sisse, kui kettakaitse ja ketta vahele on jäänud võõrkeha.** Sel juhul eemaldage akukassett ja eemaldage võõrkeha.
8. **Võimaluse korral kasutage töödeldiva detaili toestamiseks klambreid või midagi sarnast.**
9. **Kandke seadmega töötamise ajal alati kõrvaklappe.**
10. **Ärge lõigake selle tööriistaga puitu.**

11. Ketta välimine läbimõõt ja paksus peavad vastama elektritööriista nominaalvõimsusele. Ebaõige suurusega kettad ei ole piisavalt kaitsitud ega juhitavad.
12. Elektritööriista kasutamisel tuleb seda hoida kindlalt mõlema käega ning keha ja käsi peavad olema asendis, mis suudaksid tagasilöögi-jõule vastu panna.
13. Hoidke pöörlevat ketast kätest ja näost eemal.
14. Reguleerige kettakate töö jaoks sobivasse asendisse.
15. Tööriista kasutamisel porisel ja libedal maapinnal või märjal kallakul, pöörake tähelepanu kindlale jalgealusele.
16. Ärge ajage tööriista sügavale auku.
17. Ärge jätke tööriista järelevalveta vihma kätte.
18. Ärge vahetage akut vihma käes.
19. Tööriista hoiundamisel vältige otsest päikesevalgust ja vihma ning hoiukohti ei tohiks muuta liiga kuumaks ega niiskeks.
9. Ärge kasutage kahjustatud akut.
10. Sisalduvatele liitium-ioonakudele võivad kohalduva ohtlike kaupade õigusaktide nõuded. Kaubanduslikul transportimisel, näiteks kolmandate poolte või transpordiettevõtete poolt, tuleb järgida pakendil ja siltidel toodud erinõudeid. Transportimiseks ettevalmistamisel on vajalik pida nõu ohtliku materjali ekspertidega. Samuti tuleb järgida võimalike riiklike regulatsioonide üksikasjalikumaid nõudeid. Katke teibiga või varjake avatud kontaktid ja pakendage aku selliselt, et see ei saaks pakendis liikuda.
11. Kasutuskõlbmatuks muutunud akukasseti kõrvaldamiseks eemaldage see tööriistast ja viige selleks ette nähtud kohta. Järgige kasutuskõlbmatuks muutunud aku kõrvaldamisel kohalike eeskirju.
12. Kasutage akusid ainult Makita heaks kiidetud toodetega. Akude paigaldamine selleks mitte ettenähtud toodetele võib põhjustada süttimist, ülemäära-
st kuumust, plahvatamist või elektrolüüdi lekkimist.
13. Kui tööriista ei kasutata pika ajaperioodi jooksul, tuleb aku tööriistast eemaldada.
14. Kasutamise ajal ja pärast kasutamist võib akukasseti kuumeneda, mis võib põhjustada põletusi või madala temperatuuri põletusi. Olge kuuma akukasseti kandmisel ettevaatlik.
15. Ärge puudutage tööriista klemmi kohe pärast kasutamist, sest see võib olla kuum ja põhjustada põletusi.
16. Hoidke akukasseti klemmid, avad ja sooned tükikestest, tolmust ja mullast puhtad. See võib põhjustada tööriista või aku ülekuumenemist, süttimist, purunemist ja talitlushäireid, mis võib lõppeda põletuste või kehavigastustega.
17. Kui tööriist ei kannata kasutamist kõrgepingeliinide lähedal, ärge kasutage akukassetti kõrgepingeliinide lähedal. Muidu võib tööriist või akukassett puruneda või sellel tõrge tekkida.
18. Hoidke akut lastele kättesaamatult.

HOIDKE JUHEND ALLES.

⚠HOIATUS: ÄRGE UNUSTAGE järgida toote ohutusnõudeid mugavuse või toote (korduskasutamise saavutatud) hea tundmise tõttu. VALE KASUTUS või kasutusjuhendi ohutuseeskirjade eiramine võib põhjustada tervisekahjustusi.

Akukasseti seotud olulised ohutusjuhised

1. Enne akukasseti kasutamist lugege (1) akulaadidjal, (2) akul ja (3) seadmel olevad juhtnõidid ja hoiatused läbi.
2. Ärge võtke akukassetti lahti ega muutke seda. See võib põhjustada tulekahju, liigset kuumust või plahvatuse.
3. Kui tööaeg järsult lüheneb, siis lõpetage kohe kasutamine. Edasise kasutamise tulemuseks võib olla ülekuumenemisoht, võimalikud põletused või isegi plahvatus.
4. Kui elektrolüüti satub silma, siis loputage silma puhta veega ja pöörduge koheselt arsti poole. Selline õnnetus võib põhjustada pimedaksjäämist.
5. Ärge tekitage akukassettis lühist:
 - (1) Ärge puutuge klemme elektrijuhtidega.
 - (2) Ärge hoidke akukassetti tööriistakastis koos metallsemetega, nagu naelad, mündid jne.
 - (3) Ärge tehke akukassetti märjaks ega jätke seda vihma kätte.

Aku lühis võib põhjustada tugevat elektrivoolu, ülekuumenemist, põletusi ning ka seadet tõsiselt kahjustada.

6. Ärge hoidke ega kasutage tööriista ja akukassetti kohtades, kus temperatuur võib tõusta üle 50 °C (122 °F).
7. Ärge põletage akukassetti isegi siis, kui see on saanud tõsiselt vigastada või on täiesti kulumud. Akukassett võib tules plahvatada.
8. Ärge naelutage, löigake, muljuge, visake akukassetti ega laske sel kukkuda, samuti ärge lööge selle pihta kõva esemega. Selline tegevus võib põhjustada tulekahju, liigset kuumust või plahvatuse.

HOIDKE JUHEND ALLES.

⚠ETTEVAATUST: Kasutage ainult Makita originaalakusid. Mitte Makita originaalakude või muudetud akude kasutamine võib põhjustada akude süttimise, kehavigastuse ja kahjustuse. Samuti muudab see kehtetuks Makita tööriista ja laadija Makita garantii.

Vihjeid aku maksimaalse kasutaja tagamise kohta

1. Laadige akukassetti enne selle täielikku tühjenemist. Kui märkate, et tööriist töötab väiksema võimsusega, peatage töö ja laadige akukassetti.
2. Ärge laadige täielikult laetud akukassetti. Ülelaadimine lühendab akude kasutusiga.
3. Laadige akukassetti toatemperatuuril 10 °C - 40 °C. Enne laadimist laske kuumenenud akukassetil maha jahtuda.
4. Kui te ei kasuta parajasti akukassetti, eemaldage see tööriistast või laadurist.
5. Kui te ei kasuta akukassetti kauem kui kuus kuud, laadige see.

OSADE KIRJELDUS

► Joon.1

1	Abrasiivlöikeketas/ teemantketas	2	Kettakaitse	3	Kettakatte pide	4	Eesmine pide
5	Lamp	6	Akukassett	7	Lahtilukustusnupp	8	Ratas
9	Võlliluku nupp	10	Kaas (V-rihma jaoks)	11	Kraan	12	Vee sisselase
13	Käepide	14	Lüliti päästik	15	Lambi nupp	16	Ülekoormuse näidik
17	Ühendusmuhv	18	Otsvõti	-	-	-	-

FUNKTSIONAALNE KIRJELDUS

⚠ETTEVAATUST: Kandke alati hoolt selle eest, et tööriist oleks enne reguleerimist ja kontrollimist välja lülitatud ja akukassett eemaldatud.

Akukasseti paigaldamine või eemaldamine

⚠ETTEVAATUST: Lülitage tööriist alati enne akukasseti paigaldamist või eemaldamist välja.

⚠ETTEVAATUST: Akukasseti paigaldamisel või eemaldamisel tuleb tööriista ja akukassetti kindlalt paigal hoida. Kui tööriista ja akukassetti ei hoita kindlalt paigal, võivad need käest libiseda ning kahjustada tööriista ja akukassetti või põhjustada kehavigastusi.

Akukasseti paigaldamiseks joondage akukasseti keel korpuse soonega ja libistage kassett kohale. Sisestage see tervenisti, kuni see lukustub klõpsuga oma kohale. Kui näete nupu ülaoasas punast märgistust, pole lukustumine täielik.

► **Joon.2:** 1. Punane näidik 2. Nupp 3. Akukassett

Akukasseti eemaldamiseks lükake seda, hoides samal ajal all kasseti esiküljel olevat nuppu.

⚠ETTEVAATUST: Paigaldage akukassett alati täies ulatuses nii, et punast osa ei jääks näha. Muidu võib adapter juhuslikult tööriistast välja kukkuda ning põhjustada teile või läheduses viibivatele isikutele vigastusi.













⚠ETTEVAATUST: Ärge rakendage akukasseti paigaldamisel jõudu. Kui kassett ei lähe kergesti sisse, pole see õigesti paigaldatud.

MÄRKUS: Tööriist ei tööta ainult ühe akukassetiga.

Aku jääkmahutavuse näit

Akukasseti järelejäänud mahutavuse kontrollimiseks vajutage kontrollimise nuppu. Märgulambid süttivad mõneks sekundiks.

► **Joon.3:** 1. Märgulambid 2. Kontrollimise nupp

Märgulambid			Jääkmahutavus
 Poleb	 Ei pole	 Viigub	
			75 - 100%
			50 - 75%
			25 - 50%
			0 - 25%
			Laadige akut.
			Akul võib olla tõrge.
			

MÄRKUS: Näidatud mahutavus võib veidi erineda tegelikust mahutavusest olenevalt kasutustingimustest ja ümbritseva keskkonna temperatuurist.

MÄRKUS: Esimene (taga vasakul asuv) märgutuli vilgub, kui akukaitsesüsteem töötab.

Tööriista/aku kaitsesüsteem

Tööriist on varustatud tööriista või aku kaitsesüsteemiga. Süsteem lülitab mootori automaatselt välja, et pikendada tööriista ja aku tööiga. Tööriist seiskub käitamise ajal automaatselt, kui tööriista või aku kohta kehtib üks järgmistest tingimustest. Teatud tingimustes hakkavad indikaatorid põlema.

Ülekoormuskaitse

Kui tööriist/aku hakkab kasutamise käigus tarbima ebaharilikult palju voolu, seiskub tööriist automaatselt. Sel juhul lülitage tööriist välja ja lõpetage töö, mis põhjustas tööriista ülekoormuse. Pärast seda käivitage tööriist uuesti.

Ülekuumenemiskaitse

Kui tööriist/aku on ülekuumenenud, seiskub tööriist automaatselt ja lamp hakkab vilkuma. Sellisel juhul laske tööriistal maha jahtuda, enne kui selle uuesti sisse lülitate.

Ülelaadimiskaitse

Kui aku võimsus väheneb, seiskub tööriist automaatselt ning akukasseti märgutuli hakkab vilkuma. Kui tööriist ei hakka tööle isegi lülitite kasutamisel, eemaldage akud tööriistast ja laadige neid.

Kaitse muude olukordade eest

Kaitseüsteem on mõeldud ka muude olukordade jaoks, mis võivad tööriista kahjustada, ja võimaldab tööriistal automaatselt seiskuda. Kui tööriist on ajutiselt peatatud või seiskunud, toimige põhjuste kõrvaldamiseks järgnevalt.

1. Lülitage tööriist välja ja seejärel taaskäivitamiseks uuesti sisse.
2. Laadige akut (akusid) või asendage laetud aku(de)ga.
3. Laske masinal ja aku(de)l jahtuda.

Kui kaitseüsteemi taastamisega ei õnnestu olukorda parandada, võtke ühendust kohaliku Makita hoolduskeskusega.

TÄHELEPANU: Kui tööriist on seiskunud põhjusel, mida eespool pole kirjeldatud, lugege tõrkeotsingu jaotist.

Liigkoormuse hoiatus

Kui tööriista kasutatakse liiga suurel koormusel, hakkab ülekoormuse näidik punaselt vilkuma. Sellises olukorras vähendage tööriista koormust. Seejärel lõpetab märgutuli vilkumise.

► **Joon.4:** 1. Ülekoormuse näidik

Lüliti funktsioneerimine

▲HOIATUS: Kontrollige alati enne akukasseti tööriista külge paigaldamist, kas lüliti päästik funktsioneerib nõuetekohaselt ja liigub lahtilaskmisel tagasi väljalülitatud asendisse.

▲HOIATUS: Lahtilukustusnupu fikseerimine kleelindri või muu talisega on KEELATUD. Inaktiveeritud lahtilukustusnupuga lüliti võib põhjustada masina soovimatu sisselülitumise ja tõsiseid vigastusi.

▲HOIATUS: ÄRGE kasutage KUNAGI tööriista, kui see käivitub ka siis, kui lahtilukustusnuppu vajutamata tõmbate lihtsalt lüliti päästikut. Remonti vajav lüliti võib põhjustada masina soovimatu sisselülitumise ja tõsiseid vigastusi. ENNE edasist kasutamist viige masin parandamiseks Makita teeninduskeskusesse.

Lüliti päästiku juhusliku vajutamise vältimiseks on tööriistal lahtilukustusnupp. Tööriista käivitamiseks vajutage lukust avamise nupp alla ja tõmmake lüliti päästikut. Seiskamiseks vabastage lüliti päästik.

► **Joon.5:** 1. Lüliti päästik 2. Lahtilukustusnupp

TÄHELEPANU: Ärge tõmmake lüliti päästikut tugevasti ilma lahtilukustusnuppu vajutamata. See võib lüliti ära lõhkuda.

Lambi põlema panemine

▲ETTEVAATUST: Ärge vaadake otse valguslambesse ega valgusallikat.

Lambi sisselülitamiseks vajutage lambi nupule. Väljalülitamiseks vajutage uuesti lambi nupule.

► **Joon.6:** 1. Lambi nupp 2. Lamp

MÄRKUS: Lamp lülitatakse automaatselt välja, kui tööriista ei kasutata ühe minuti jooksul.

Kettakatte reguleerimine

Hoidke kettakatte käepidid ja reguleerige kettakatte oma tööks sobivasse asendisse.

► **Joon.7:** 1. Kettakatte pide

Aktiivne tagasiside tajumise tehnoloogia

Tööriist tuvastab elektrooniliselt olukorrad, kus ketast võib ohustada kinnijäämine. Sellisel juhul lülitub tööriist automaatselt välja, et spindel edasi ei pöörleks (see ei ennetata tagasilööki).

Tööriista taaskäivitamiseks lülitage tööriist esmalt välja, kõrvaldage pöörlemiskiiruse ootamatu langemise põhjus ja lülitage tööriist seejärel uuesti sisse.

Elektriline pidur

Tööriista väljalülitamise järel aktiveeritakse elektriline pidur. Kui elektrivarustus katkestatakse, näiteks aku juhuslikul eemaldamisel, kuid lüliti jääb endiselt sisselülitatud asendisse, siis pidur ei toimi.

KOKKUPANEK

▲ETTEVAATUST: Kandke alati hoolt selle eest, et tööriist oleks enne igasuguseid hooldustöid välja lülitatud ja akukassett eemaldatud.

Abrasiivlõikeketta/teemantketta paigaldamine või eemaldamine

▲ETTEVAATUST: Kasutage ketta paigaldamiseks ja eemaldamiseks ainult Makita mutrivõti.

▲ETTEVAATUST: Kinnitage ketta paigaldamisel polt kindlasti korralikult.

▲ETTEVAATUST: Ärge vajutage võllilukku ketta pöörlemise ajal.

Ketta eemaldamiseks vajutage võlliluku nuppu ja pöörake ketast, kuni see enam ei pöörle. Kui võllilukk on täielikult lukustatud, keerake kuuskantpolti otsvõtmega vastupäeva. Seejärel eemaldage kuuskantpolt, äärik, ketas, rõngas ja äärik selles järjekorras.

► **Joon.8:** 1. Võlliluku nupp 2. Otsvõti 3. Pingutage 4. Vabastage

► **Joon.9:** 1. Kuuskantkruvi 2. Äärik 3. Rõngas 4. Abrasiivlõikeketas/teemantketas 5. Nool (ketta pöörlemisuund)

Ketta paigaldamiseks järgige eemaldamise protseduuri vastupidises järjekorras. VEENDUGE, ET KUUSKANTPOLT OLEKS KORRALIKULT KINNI.

⚠ETTEVAATUST: Paigaldage ketas alati nii, et selle asuv nool näitaks samasse suunda kui kettakaitsele olev nool. Muidu pöörleb ketas vastasuunas ja võib põhjustada kehavigastusi.

⚠ETTEVAATUST: Kasutage ainult sellist ketast, millele märgitud kiirus on võrdne tööriistale märgitud kiirusega või sellest suurem.

MÄRKUS: Ketta paigaldamisel kinnitage äärikud selliselt, et ääriku lame pool oleks vastu ketast, ning kinnitage ketta siseläbimõõduga sobiv rõngas.

- **Joon.10:** 1. Kuuskantpolt 2. Äärik 3. Rõngas
4. Abrasiivlöikeketas/teemantketas

Veevarustusega ühendamine

1. Valmistage veevoolik ette.
2. Eemaldage ühendusmuhvilt mutter ja juhtige veevoolik läbi mutri. Sisestage vooliku ots ühendusmuhi ja pingutage seejärel mutrit.
► **Joon.11:** 1. Veevoolik 2. Ühendusmuhi mutter
3. Ühendusmuhv

3. Ühendage veevoolik veevarustuse külge.
Veekraaniga ühendamisel kasutage sobivat ühendusosa, näiteks voolikurihma või veekraani liitmikku.
► **Joon.12:** 1. Voolikurihm 2. Veekraani liitmik
3. Veevoolik

MÄRKUS: Ühendusosa oleneb kraani kujust, mille külge te ühendate. Valmistage ette sobiv kauplusest ostetud ühendusosa.

MÄRKUS: Kui kasutate veekraani liitmikku, valmistage ette teine ühendusmuhv ja kinnitage see vooliku teise otsa.

MÄRKUS: Veepumba kasutamisel järgige selle ühendamisel veevooliku külge veepumba juhendit.

4. Lükake ühendusmuhv vee sisselaskesse, kuni see klõpsatusega lukustub.
► **Joon.13:** 1. Ühendusmuhv 2. Vee sisselase
3. Kraan

TÄHELEPANU: Hoidke kraani suletuna, kuni hakkate löikama vee lisamisega. Vee lisamise kohta saate teavet töötamise jaotisest.

TÖÖRIISTA KASUTAMINE

⚠ETTEVAATUST: Töö käigus toetage töödeldavat detaili kindlasti tugevalt stabiilsele pingile või lauale.

⚠ETTEVAATUST: Ärge keerake tööriista löikamise ajal ega kasutage jõudu, muidu võib mootoris tekkida ülekoormus või töödeldav detail puruneda.

Löikamine

⚠ETTEVAATUST: Töötamise ajal ärge tõstke tööriista oma öla kõrgusest kõrgemale.

- **Joon.14**

Hoidke tööriistast kindlalt kinni. Hoidke parema käega käepidemest ja vasaku käega eesmisest pidemest. Elektri juhtme juhuslikust löikamisest põhjustatud elektrilöögi vältimiseks hoidke alati kinni eesmise pideme ettenähtud osast, nagu joonisel on näidatud.

- **Joon.15:** 1. Osa, millest kinni hoida

Liigutage tööriista töödeldaval pinnal, hoides seda horisontaalselt ja lükates sujuvalt edasi, kuni löige on lõpetatud. Hoidke löikejoon sirge ja liikumiskiirus ühtlasena.

- **Joon.16**

MÄRKUS: Kui akukasseti temperatuur on madal, ei pruugi tööriist töötada täisvõimsusel. Sellisel juhul kasutage tööriista mõnda aega näiteks kergemal režiimil löikamiseks, kuni akukassett soojeneb toatemperatuurini. Pärast seda saab tööriist töötada täisvõimsusel.

MÄRKUS: Kui teemantketta löikeomadused hakkavad halvenema, lihvide selle serva vana kasutusest kõrvaldatud jämedateralise käiakivi või betoonploki. Lihvide teemantketta välisservale kergelt vajutades.

Löikamise ajal vee lisamine

⚠ETTEVAATUST: Märka tüüpi teemantketta kasutamisel lisage löikamise ajal alati vett.

Ühendage tööriist veevarustusega ja keerake kraani noole suunas, nagu joonisel näidatud. Reguleerige kraani asendit, nii et vesi voolaks vaikselt.

- **Joon.17:** 1. Kraan

⚠ETTEVAATUST: Vee lisamisel hoidke tööriista pead alati madalamal kui tööriista korpusel, et vesi tööriista mehhanismi ei läheks. Muidu võib tagajärjeks olla elektrilöök.

- **Joon.18**

HOOLDUS

⚠ETTEVAATUST: Enne kontroll- või hooldustoimingute tegemist kandke alati hoolt selle eest, et tööriist oleks välja lülitatud ja akukassett korpusel küljest eemaldatud.

TÄHELEPANU: Ärge kunagi kasutage bensiini, vedeldit, alkoholi ega midagi muud sarnast. Selle tulemuseks võib olla luitumine, deformatsioon või pragunemine.

Toote OHUTUSE ja TÖÖKINDLUSE tagamiseks tuleb vajalikud remonttööd ning muud hooldus- ja reguleerimistööd lasta teha Makita volitatud teeninduskeskustes või tehase teeninduskeskustes. Alati tuleb kasutada Makita varuosi.

Tööriista puhastamine

Pärast igat kasutust eemaldage akukasset ja ketas ning eemaldage seejärel kettakaitse kogunenud tolm, mustus ja metallitükid. Tööriista korpuse puhastamiseks pühkige sellelt kuiva või seebivette kastetud ja välja väänatud lapiga tolm ja mustus. Pühkige lambi lääts kuiva lapiga puhtaks. Olge seda tehes ettevaatlik, et lambi läätse mitte kriimustada, sest muidu võib valgustugevus väheneda.

► **Joon.19:** 1. Kettakaitse 2. Lambi lääts

Õhuava puhastamine

Puhastage tööriista ventilatsiooniavasid regulaarselt või siis, kui need hakkavad ummistuma.

► **Joon.20:** 1. Õhuava

Hammasrihma vahetamine

1. Eemaldage akukassetid ja ketas.
2. Lõdvendage kuuskant-pesapeapoldid otsvõtmega ja eemaldage seejärel kate.

► **Joon.21:** 1. Otsvõti 2. Kuuskant-pesapeapolt
3. Kaas

3. Suure rihmaratta lukustamiseks vajutage völliuku nupp sisse ja hoidke seda sees; seejärel keerake mutrit vastupäeva, kasutades otsvõtme õhukest otsa.

► **Joon.22:** 1. Suur rihmaratas 2. Völliuku nupp

4. Suure rihmaratta lukustamiseks vajutage völliuku nupp sisse ja hoidke seda sees; seejärel keerake hammasrihma vabastamiseks väikest ketast vastupäeva, kasutades otsvõtme paksu otsa.

► **Joon.23:** 1. Völliuku nupp 2. Suur rihmaratas
3. Väike ketas

5. Eemaldage rihm.

6. Kinnitage rihma üks ots rihma siseküljel olevate soontega väikesele rihmarattale ning seejärel kinnitage rihma teine ots suurele rihmarattale.

► **Joon.24:** 1. Rihm 2. Suur rihmaratas 3. Väike rihmaratas

7. Suure rihmaratta lukustamiseks vajutage völliuku nupp sisse ja hoidke seda all; seejärel keerake rihma kinnitamiseks väikest ketast päripäeva, kasutades otsvõtme paksu otsa.

► **Joon.25:** 1. Völliuku nupp 2. Suur rihmaratas

MÄRKUS: Veenduge, et väike ketas oleks joonisel kujutatud asendis.

► **Joon.26:** 1. Väike ketas

8. Suure rihmaratta lukustamiseks vajutage völliuku nupp sisse ja hoidke seda sees; seejärel keerake mutrit päripäeva, kasutades otsvõtme õhukest otsa.

► **Joon.27:** 1. Völliuku nupp

MÄRKUS: Mutri kinnikeeramisel kasutage 19-21 N•m pingutusmomenti.

9. Kinnitage kate ja seejärel keerake kuuskant-pesapeapoldid otsvõtme otsa abil kinni.

► **Joon.28:** 1. Otsvõti 2. Kuuskant-pesapeapolt
3. Kaas

VEAOTSING

Enne remonditöökotta pöördumist kontrollige niidukit ise. Ärge üritage niidukit lahti võtta, kui leiate probleemi, mida kasutusjuhendis ei kirjeldata. Selle asemel pöörduge Makita volitatud teeninduskeskusesse, kus kasutatakse remontimisel alati Makita tagavaraosi.

Tõrge	Võimalik põhjus (riike)	Lahendus
Mootor ei tööta.	Akukassetid ei ole paigaldatud.	Paigaldage kaks akukasseti. Tööriist ei tööta ainult ühe akukassetiga.
	Akuga seotud probleem (alapinge)	Laadige aku. Kui laadimine ei anna tulemust, vahetage akukasset välja.
	Veosüsteem ei tööta korralikult.	Paluge volitatud teeninduskeskuses teha parandustööd.
Mootor seiskub pärast lühiajalist töötamist.	Aku laetustase on madal.	Laadige aku. Kui laadimine ei anna tulemust, vahetage akukasset välja.
	Ülekuumenemine.	Lõpetage tööriista kasutamine ja laske sel maha jahtuda.
Ketta pöörlemine ei kiirene korralikult isegi siis, kui tööriist on töötanud ilma koormuseta 20 sekundit.	Aku ei ole õigesti paigaldatud.	Paigaldage akukassetid selles juhendis kirjeldatud viisil.
	Aku võimsus langeb.	Laadige akukassette. Kui laadimine ei anna tulemust, vahetage akukasset välja.
	Hammasrihm libiseb.	Vahetage hammasrihm uue vastu.
	Veosüsteem ei tööta korralikult.	Paluge volitatud teeninduskeskuses teha parandustööd.
Ketas ei pöörle: ⇒ seisake masin viivitamatult!	Hammasrihm libiseb.	Vahetage hammasrihm uue vastu.
	Võõrkeha on kettakaitse ja ketta vahele kinni jäänud.	Eemaldage akukassetid ja seejärel eemaldage võõrkeha.
	Veosüsteem ei tööta korralikult.	Paluge volitatud teeninduskeskuses teha parandustööd.
Ebatavaline vibratsioon: ⇒ seisake masin viivitamatult!	Ketas on valesti kinnitatud.	Paigaldage ketas juhendis kirjeldatud viisil. Ketta tugevalt kinnitamiseks keerake polt kinni.
	Veosüsteem ei tööta korralikult.	Paluge volitatud teeninduskeskuses teha parandustööd.
Lõikeriist ja mootor ei seisku: ⇒ Eemaldage viivitamatult akukasset.	Elektri- või elektroonikarike.	Eemaldage akukassetid ja laske need volitatud teeninduskeskuses parandada.
Kehv lõikamise jõudlus	On aeg ketas välja vahetada.	Vahetage ketas uue vastu.
Sisselaskest lekib vett.	O-rõnga osast lekib vett.	Paluge volitatud teeninduskeskuses teha parandustööd.

VALIKULISED TARIKUD

⚠ETTEVAATUST: Neid tarvikuid ja lisaseadiseid on soovitatav kasutada koos Makita tööriistaga, mille kasutamist selles kasutusjuhendis kirjeldatakse. Muude tarvikute ja lisaseadiste kasutamisega kaasneb vigastada saamise oht. Kasutage tarvikuid ja lisaseadiseid ainult otstarbekohaselt.

Saate vajaduse korral kohalikust Makita teeninduskeskusest lisateavet nende tarvikute kohta.

- Abrasiivlõikeketas
- Teemantketas
- Rõngakomplekt
- Hammasrihm
- Ühendusmuhv
- Otsvõti
- Makita algupärane aku ja laadija

MÄRKUS: Mõned nimekirjas loetletud tarvikud võivad kuuluda standardvarustusse ning need on lisatud tööriista pakendisse. Need võivad riigiti erineda.

ТЕХНИЧЕСКИЕ ХАРАКТЕРИСТИКИ

Модель:	CE001G
Диаметр диска	355 мм
Макс. толщина диска	5,0 мм
Макс. глубина резки	127 мм
Номинальная рабочая частота	5 300 мин ⁻¹
Номинальное напряжение	72–80 В пост. тока макс.
Макс. допустимое давление подачи воды	5,0 бар
Общая длина	786 мм
Масса нетто	12,3 - 12,9 кг
Степень защиты	IPX4

- Благодаря нашей постоянно действующей программе исследований и разработок указанные здесь технические характеристики могут быть изменены без предварительного уведомления.
- Технические характеристики могут различаться в зависимости от страны.
- Масса может отличаться в зависимости от дополнительного оборудования. Обратите внимание, что блок аккумулятора также считается дополнительным оборудованием. В таблице представлены комбинации с наибольшим и наименьшим весом в соответствии с процедурой EPTA 01/2014.

Подходящий блок аккумулятора и зарядное устройство

Блок аккумулятора	BL4040 / BL4050F* *: рекомендуемый аккумулятор
Зарядное устройство	DC40RA / DC40RB / DC40RC

- В зависимости от региона проживания некоторые блоки аккумуляторов и зарядные устройства, перечисленные выше, могут быть недоступны.

⚠ ОСТОРОЖНО: Используйте только перечисленные выше блоки аккумуляторов и зарядные устройства. Использование других блоков аккумуляторов и зарядных устройств может привести к травме и/или пожару.

Назначение

Этот инструмент предназначен для резки металла абразивным отрезным диском, а также каменной кладки алмазным диском.

Шум

Типичный уровень взвешенного звукового давления (A), измеренный в соответствии с EN60745-2-22:

Уровень звукового давления (L_{pA}): 109 дБ (A)

Уровень звуковой мощности (L_{WA}): 120 дБ (A)

Погрешность (K): 3 дБ (A)

ПРИМЕЧАНИЕ: Заявленное значение распространения шума измерено в соответствии со стандартной методикой испытаний и может быть использовано для сравнения инструментов.

ПРИМЕЧАНИЕ: Заявленное значение распространения шума можно также использовать для предварительных оценок воздействия.

⚠ ОСТОРОЖНО: Используйте средства защиты слуха.

⚠ ОСТОРОЖНО: Распространение шума во время фактического использования электроинструмента может отличаться от заявленного значения в зависимости от способа применения инструмента и в особенности от типа обрабатываемой детали.

⚠ ОСТОРОЖНО: Обязательно определите меры безопасности для защиты оператора, основанные на оценке воздействия в реальных условиях использования (с учетом всех этапов рабочего цикла, таких как выключение инструмента, работа без нагрузки и включение).

Вибрация

Рабочий режим: резка бетона

Левосторонний		Правосторонний		Применимый стандарт
$a_{h,w}$ (м/с ²)	Погрешность, К (м/с ²)	$a_{h,w}$ (м/с ²)	Погрешность, К (м/с ²)	
$\leq 2,5$	1,5	$\leq 2,5$	1,5	EN60745-2-22

ПРИМЕЧАНИЕ: Заявленное общее значение распространения вибрации измерено в соответствии со стандартной методикой испытаний и может быть использовано для сравнения инструментов.

ПРИМЕЧАНИЕ: Заявленное общее значение распространения вибрации можно также использовать для предварительных оценок воздействия.

⚠ОСТОРОЖНО: Распространение вибрации во время фактического использования электроинструмента может отличаться от заявленного значения в зависимости от способа применения инструмента и в особенности от типа обрабатываемой детали.

⚠ОСТОРОЖНО: Обязательно определите меры безопасности для защиты оператора, основанные на оценке воздействия в реальных условиях использования (с учетом всех этапов рабочего цикла, таких как выключение инструмента, работа без нагрузки и включение).

Декларация о соответствии ЕС

Только для европейских стран

Декларация о соответствии ЕС включена в руководство по эксплуатации (Приложение А).

МЕРЫ БЕЗОПАСНОСТИ

Общие рекомендации по технике безопасности для электроинструментов

⚠ОСТОРОЖНО: Ознакомьтесь со всеми представленными инструкциями по технике безопасности, указаниями, иллюстрациями и техническими характеристиками, прилагаемыми к данному электроинструменту. Несоблюдение каких-либо инструкций, указанных ниже, может привести к поражению электрическим током, пожару и/или серьезной травме.

Сохраните брошюру с инструкциями и рекомендациями для дальнейшего использования.

Термин "электроинструмент" в предупреждениях относится ко всему инструменту, работающему от сети (с проводом) или на аккумуляторах (без провода).

Правила техники безопасности при эксплуатации аккумуляторной алмазной пилы

- 1. Защитный кожух, поставляемый с инструментом, должен быть надежно закреплен и расположен для обеспечения максимальной защиты так, чтобы со стороны оператора оставалась открытой минимальная часть диска. Вы и сторонние наблюдатели должны находиться на максимально возможном расстоянии от плоскости вращения диска. Ограждение помогает обезопасить оператора от отлетающих осколков поврежденного диска и случайного контакта с ним.**
- 2. Для работы с электроинструментом используйте только армированные отрезные диски или алмазные отрезные диски. Возможность установки принадлежности на электроинструмент сама по себе не гарантирует безопасной работы.**
- 3. Номинальная скорость принадлежностей должна быть как минимум равна максимальной скорости, обозначенной на инструменте. При превышении номинальной скорости принадлежности она может разломиться на части.**
- 4. Диски должны использоваться только по рекомендованному назначению. Например: не шлифуйте краем отрезного диска. Абразивные отрезные диски предназначены для периферийного шлифования, и боковые усилия, приложенные к таким дискам, могут вызвать их разрушение.**
- 5. Обязательно используйте неповрежденные фланцы соответствующего выбранному диску диаметра. Подходящие фланцы поддерживают диск, снижая вероятность его повреждения.**
- 6. Не используйте изношенные армированные диски от более мощных электроинструментов. Предназначенные для более мощного электроинструмента диски не подходят для высокоскоростного электроинструмента меньшего размера и могут разломиться.**

7. **Внешний диаметр и толщина принадлежности должны соответствовать номинальной мощности инструмента.** Принадлежности, размер которых подобран неверно, не гарантируют безопасности и точности управления.
 8. **Размер оправки дисков и фланцев должен в точности соответствовать параметрам шпинделя электроинструмента.** Несовпадение диаметра оправки дисков, фланцев и монтажного узла электроинструмента может привести к нарушению балансировки, сильной вибрации и потере контроля над инструментом.
 9. **Не используйте поврежденные диски.** Перед каждым использованием осматривайте диски на предмет сколов и трещин. В случае падения электроинструмента или диска убедитесь в отсутствии повреждений или установите неповрежденный диск. После осмотра и установки диска отойдите сами и попросите отойти сторонних наблюдателей на безопасное расстояние от плоскости вращения диска, затем включите инструмент на максимальной мощности без нагрузки и дайте ему поработать в течение одной минуты. Поврежденные диски обычно разрушаются за время такой проверки.
 10. **Надевайте индивидуальные средства защиты.** В зависимости от выполняемых операций используйте защитную маску или защитные очки. При необходимости используйте респиратор, средства защиты слуха, перчатки и передник, способный защитить от маленьких фрагментов абразива или заготовки. Средства защиты органов зрения должны предохранять от летящих фрагментов, появляющихся при выполнении различных операций. Вылезающая маска или респиратор должны обеспечивать фильтрацию пыли, возникающей во время работы. Продолжительное воздействие сильного шума может стать причиной потери слуха.
 11. **Посторонние лица должны находиться на безопасном расстоянии от рабочего места.** Любой приближающийся к рабочему месту человек должен предварительно надеть индивидуальные средства защиты. Фрагменты обрабатываемой детали или разрушенного диска могут разлететься и причинить травмы даже за пределами рабочей зоны.
 12. **Если при выполнении работ существует риск контакта режущего инструмента со скрытой электропроводкой, держите электроинструмент только за специально предназначенные изолированные поверхности.** Контакт режущего инструмента с проводом под напряжением приведет к тому, что металлические детали инструмента также будут под напряжением. Это может стать причиной поражения оператора электрическим током.
 13. **Не кладите инструмент, пока принадлежность полностью не остановится.** Вращающийся диск может зацепить поверхность, и вы можете не удержать инструмент.
 14. **Не включайте инструмент во время переоснастки.** Случайный контакт с вращающейся принадлежностью может привести к защемлению одежды и притягиванию принадлежности к телу.
 15. **Регулярно прочищайте вентиляционные отверстия инструмента.** Вентилятор электродвигателя засасывает пыль внутрь корпуса, а значительные отложения металлической пыли могут привести к поражению электрическим током.
 16. **Не используйте инструмент вблизи горючих материалов.** Эти материалы могут воспламениться от искр.
- Отдача и соответствующие предупреждения**
- Отдача – это неожиданная реакция зажатого или застрявшего вращающегося диска. Застревание или застопоривание вызывает резкую остановку вращающегося диска, что, в свою очередь, приводит к неконтролируемому рывку инструмента в направлении, противоположном вращению диска в момент застревания.
- Например, если абразивный круг зажимается или прихватывается деталью, край круга, находящийся в точке заклинивания, может углубиться в поверхность детали, что приведет к выкачиванию или выскакиванию круга. Круг может совершить рывок в направлении оператора или обратно, в зависимости от направления перемещения круга в точке заклинивания. Также в этих условиях абразивные круги могут сломаться.
- Отдача – это результат неправильного использования электроинструмента и/или неправильных методов или условий работ, которого можно избежать, соблюдая нижеуказанные меры предосторожности.
1. **Крепко держите электроинструмент и располагайте свое тело и руки так, чтобы можно было сопротивляться силам отдачи. Обязательно пользуйтесь вспомогательной рукояткой (при наличии), чтобы обеспечить максимальный контроль над отдачей или крутящим моментом во время пуска.** Оператор способен справиться с крутящим моментом и силами отдачи при условии соблюдения соответствующих мер безопасности.
 2. **Не приближайте руки к вращающейся насадке.** При отдаче насадка может задеть ваши руки.
 3. **Не стойте в плоскости вращения диска.** При отдаче инструмент сместится в направлении, противоположном вращению диска в момент застревания.
 4. **Соблюдайте особую осторожность при обработке углов, острых краев и т. п. Не допускайте ударов и застревания принадлежности.** Углы, острые края и удары способствуют прихватыванию вращающейся принадлежности, которое приводит к выходу из-под контроля или отдаче.
 5. **Не устанавливайте на инструмент пильную цепь, принадлежность для резбы по дереву, сегментированный алмазный диск с периферийным зазором более 10 мм или дисковую пилу.** Такие пилы часто дают отдачу и приводят к потере контроля.
 6. **Не "заклинивайте" диск и не прикладывайте к нему чрезмерное давление. Не пытайтесь делать слишком глубокий разрез.** Перенапряжение диска увеличивает нагрузку и вероятность искривления или застревания диска в прорези, а также отдачи или поломки диска.

7. Если диск застревает или процесс резания прерывается по другой причине, выключите электроинструмент и держите его неподвижно до полной остановки диска. Не пытайтесь извлечь диск из разреза до полной остановки, в противном случае может возникнуть отдача. Выясните и устраните причину застревания диска.
8. Не перезапускайте отрезной диск, пока он находится в детали. Дождитесь, пока диск разовьет максимальную скорость, и осторожно погрузите его в разрез. Диск может застрять, отдача может отбросить его вверх или назад, если перезапустить электроинструмент непосредственно в детали.
9. Устанавливайте опоры под панели или большие детали, чтобы уменьшить риск застревания диска и возникновения отдачи. Большие детали имеют тенденцию к прогибанию под собственным весом. При резании таких панелей необходимо поместить опоры под разрезаемую деталью рядом с линией разреза и рядом с краем детали с обеих сторон диска.
10. Будьте особенно осторожны при выполнении врезки в существующих стенах или на других участках, недоступных для осмотра. Выступающая часть круга может перерезать газовые или водопроводные трубы, электропроводку или детали, которые могут вызвать отдачу.
9. Во время работы всегда используйте средства защиты органов слуха.
10. Не используйте этот инструмент для резки материалов из древесины.
11. Внешний диаметр и толщина диска должны соответствовать номинальной мощности электроинструмента. Диски, размер которых подобран неверно, не гарантируют безопасности и точности управления.
12. При работе с электроинструментом крепко держите его обеими руками и располагайте свой корпус и руки так, чтобы можно было сопротивляться силам отдачи.
13. Не держите руки или лицо вблизи вращающегося диска.
14. Кожух диска следует устанавливать в положение, подходящее для конкретной задачи.
15. При использовании инструмента в грязи, на влажном склоне или на скользкой поверхности будьте осторожны, чтобы не поскользнуться.
16. Не допускайте погружения инструмента в лужи.
17. Не оставляйте инструмент без присмотра под открытым небом в дождь.
18. Запрещается заменять аккумулятор под дождем.
19. Не храните инструмент в помещениях с высокой влажностью или температурой, на солнце или под дождем.

Дополнительные правила техники безопасности:

1. Перед использованием сегментированного алмазного диска убедитесь, что периферийный зазор между сегментами алмазного диска не превышает 10 мм, только с отрицательным передним углом наклона.
2. Не пытайтесь резать при помощи перевернутого инструмента, зажатого в тисках. Это очень опасно и может привести к серьезным несчастным случаям.
3. Некоторые материалы могут содержать токсичные химические вещества. Примите соответствующие меры предосторожности, чтобы избежать вдыхания или контакта с кожей таких веществ. Соблюдайте требования, указанные в паспорте безопасности материала.
4. Храните диски в соответствии с рекомендациями производителя. Неправильное хранение может привести к повреждению дисков.
5. Всегда используйте диск, подходящий для текущей работы и разрезаемого материала.
6. Перед резкой проверьте подлежащий разрезанию материал. Если в материале содержится взрывоопасные или легковоспламеняющиеся вещества, это может привести к взрыву или возгоранию.
7. Не включайте инструмент, если между защитным кожухом и колесом застрял посторонний предмет. В этом случае снимите блок аккумулятора и удалите посторонний предмет.
8. Если возможно, для закрепления детали используйте тиски или аналогичное приспособление.

СОХРАНИТЕ ДАННЫЕ ИНСТРУКЦИИ.

⚠ОСТОРОЖНО: НЕ ДОПУСКАЙТЕ, чтобы удобство или опыт эксплуатации данного устройства (полученный от многократного использования) доминировали над строгим соблюдением правил техники безопасности при обращении с этим устройством. НЕПРАВИЛЬНОЕ ИСПОЛЬЗОВАНИЕ инструмента или несоблюдение правил техники безопасности, указанных в данном руководстве, может привести к тяжелой травме.

Важные правила техники безопасности для работы с аккумуляторным блоком

1. Перед использованием аккумуляторного блока прочитайте все инструкции и предупредительные надписи на (1) зарядном устройстве, (2) аккумуляторном блоке и (3) инструменте, работающем от аккумуляторного блока.
2. Не разбирайте блок аккумулятора и не меняйте его конструкцию. Это может привести к пожару, перегреву или взрыву.
3. Если время работы аккумуляторного блока значительно сократилось, немедленно прекратите работу. В противном случае, может возникнуть перегрев блока, что приведет к ожогам и даже к взрыву.

4. В случае попадания электролита в глаза промойте их обильным количеством чистой воды и немедленно обратитесь к врачу. Это может привести к потере зрения.
5. Не замыкайте контакты аккумуляторного блока между собой:
 - (1) Не прикасайтесь к контактам какими-либо токопроводящими предметами.
 - (2) Не храните аккумуляторный блок в контейнере вместе с другими металлическими предметами, такими как гвозди, монеты и т. п.
 - (3) Не допускайте попадания на аккумуляторный блок воды или дождя.

Замыкание контактов аккумуляторного блока между собой может привести к возникновению большого тока, перегреву, возможным ожогам и даже поломке блока.
6. Не храните и не используйте инструмент и аккумуляторный блок в местах, где температура может достигать или превышать 50 °C (122 °F).
7. Не бросайте аккумуляторный блок в огонь, даже если он сильно поврежден или полностью вышел из строя. Аккумуляторный блок может взорваться под действием огня.
8. Запрещено вбивать гвозди в блок аккумулятора, резать, ломать, бросать, ронять блок аккумулятора или ударять его твердым предметом. Это может привести к пожару, перегреву или взрыву.
9. Не используйте поврежденный аккумуляторный блок.
10. Входящие в комплект литий-ионные аккумуляторы должны эксплуатироваться в соответствии с требованиями законодательства об опасных товарах.

При коммерческой транспортировке, например, третьей стороной или экспедитором, необходимо нанести на упаковку специальные предупреждения и маркировку.

В процессе подготовки устройства к отправке обязательно проконсультируйтесь со специалистом по опасным материалам. Также соблюдайте местные требования и нормы. Они могут быть строже.

Закройте или закрепите разомкнутые контакты и упакуйте аккумулятор так, чтобы он не перемещался по упаковке.
11. Для утилизации блока аккумулятора извлеките его из инструмента и утилизируйте безопасным способом. Выполняйте требования местного законодательства по утилизации аккумуляторного блока.
12. Используйте аккумуляторы только с продукцией, указанной Makita. Установка аккумуляторов на продукцию, не соответствующую требованиям, может привести к пожару, перегреву, взрыву или утечке электролита.
13. Если инструментом не будут пользоваться в течение длительного периода времени, извлеките аккумулятор из инструмента.
14. Во время и после использования блок аккумулятора может нагреваться, что может стать причиной ожогов или низкотемпературных ожогов. Будьте осторожны при обращении с горячим блоком аккумулятора.
15. Не прикасайтесь к контактам инструмента сразу после использования, поскольку они могут быть достаточно горячими, чтобы вызвать ожоги.
16. Не допускайте налипания на контакты, отверстия и пазы блока аккумулятора опилок, пыли или земли. Это может стать причиной перегрева, возгорания, взрыва или неисправности инструмента или блока аккумулятора, что может привести к ожогам или травмам.
17. Если инструмент не рассчитан на использование вблизи высоковольтных линий электропередач, не используйте блок аккумулятора вблизи высоковольтных линий электропередач. Это может привести к неисправности, поломке инструмента или блока аккумулятора.
18. Храните аккумулятор в недоступном для детей месте.

СОХРАНИТЕ ДАННЫЕ ИНСТРУКЦИИ.

⚠ВНИМАНИЕ: Используйте только фирменные аккумуляторные батареи Makita. Использование аккумуляторных батарей, не произведенных Makita, или батарей, которые были подвергнуты модификациям, может привести к взрыву аккумулятора, пожару, травмам и повреждению имущества. Это также автоматически аннулирует гарантию Makita на инструмент и зарядное устройство Makita.

Советы по обеспечению максимального срока службы аккумулятора

1. Заряжайте блок аккумуляторов перед его полной разрядкой. Обязательно прекратите работу с инструментом и зарядите блок аккумуляторов, если вы заметили снижение мощности инструмента.
2. Никогда не подзаряжайте полностью заряженный блок аккумуляторов. Перезарядка сокращает срок службы аккумулятора.
3. Заряжайте блок аккумуляторов при комнатной температуре в 10 - 40 °C (50 - 104 °F). Перед зарядкой горячего блока аккумулятора дайте ему остыть.
4. Если блок аккумулятора не используется, извлеките его из инструмента или зарядного устройства.
5. Зарядите ионно-литиевый аккумуляторный блок, если вы не будете пользоваться инструментом длительное время (более шести месяцев).

ОПИСАНИЕ ДЕТАЛЕЙ

► Рис.1

1	Абразивный отрезной диск / алмазный диск	2	Кожух диска	3	Рукоятка кожуха диска	4	Передняя рукоятка
5	Лампа	6	Блок аккумулятора	7	Кнопка разблокировки	8	Ролик
9	Кнопка фиксатора вала	10	Крышка (для клинового ремня)	11	Кран	12	Отверстие для подачи воды
13	Рукоятка	14	Триггерный переключатель	15	Кнопка лампы	16	Индикатор перегрузки
17	Соединительная муфта	18	Накидной ключ	-	-	-	-

ОПИСАНИЕ РАБОТЫ

▲ ВНИМАНИЕ: Перед регулировкой или проверкой функций инструмента обязательно убедитесь, что он выключен и его аккумуляторный блок снят.

Установка или снятие блока аккумулятора

▲ ВНИМАНИЕ: Обязательно выключайте инструмент перед установкой и извлечением аккумуляторного блока.

▲ ВНИМАНИЕ: При установке и извлечении аккумуляторного блока крепко удерживайте инструмент и аккумуляторный блок. Если не соблюдать это требование, они могут выскользнуть из рук, что приведет к повреждению инструмента, аккумуляторного блока и травмированию оператора.

Для установки блока аккумулятора совместите выступ блока аккумулятора с пазом в корпусе и задвиньте его на место. Вставляйте блок до упора, чтобы он зафиксировался с легким щелчком. Если вы видите красный индикатор на верхней части кнопки, блок аккумулятора вставлен не полностью.

► Рис.2: 1. Красный индикатор 2. Кнопка 3. Блок аккумулятора

Для извлечения блоков аккумуляторов нажмите кнопку на лицевой стороне блока и поднимите блок аккумулятора.

▲ ВНИМАНИЕ: Обязательно устанавливайте аккумуляторный блок до конца, чтобы красный индикатор не был виден. В противном случае аккумуляторный блок может выпасть из инструмента и нанести травму вам или другим людям.

▲ ВНИМАНИЕ: Не прилагайте чрезмерных усилий при установке аккумуляторного блока. Если блок не двигается свободно, значит он вставлен неправильно.

ПРИМЕЧАНИЕ: Инструмент не будет работать с одним блоком аккумулятора.

Индикация оставшегося заряда аккумулятора

Нажмите кнопку проверки на аккумуляторном блоке для проверки заряда. Индикаторы загорятся на несколько секунд.

► Рис.3: 1. Индикаторы 2. Кнопка проверки

Индикаторы			Уровень заряда
Горит	Выкл.	Мигает	
■	■	■	от 75 до 100%
■	■	□	от 50 до 75%
■	□	□	от 25 до 50%
■	□	□	от 0 до 25%
▣	□	□	Зарядите аккумуляторную батарею.
■	■	□	Возможно, аккумуляторная батарея неисправна.
□	□	■	

ПРИМЕЧАНИЕ: В зависимости от условий эксплуатации и температуры окружающего воздуха индикация может незначительно отличаться от фактического значения.

ПРИМЕЧАНИЕ: Первая (дальняя левая) индикаторная лампа будет мигать во время работы защитной системы аккумулятора.

Система защиты инструмента/аккумулятора

На инструменте предусмотрена система защиты инструмента/аккумулятора. Она автоматически отключает питание двигателя для продления срока службы инструмента и аккумулятора. Инструмент автоматически остановится во время работы при возникновении указанных ниже ситуаций. В некоторых ситуациях загораются индикаторы.

Защита от перегрузки

Если при текущем режиме эксплуатации инструмент/аккумулятор будет потреблять слишком большое количество тока, произойдет автоматический останов. В этом случае выключите инструмент и остановите работу, из-за которой произошла перегрузка инструмента. Затем включите инструмент для перезапуска.

Защита от перегрева

При перегреве инструмента/аккумулятора инструмент автоматически останавливается, а лампа начинает мигать. В таком случае дайте инструменту остыть перед повторным включением.

Защита от переразрядки

При истощении заряда аккумулятора инструмент автоматически останавливается, а индикаторная лампа блока аккумулятора начинает мигать. Если устройство не работает даже после нажатия переключателей, снимите аккумуляторы с инструмента и зарядите их.

Защита от других неполадок

Система защиты также рассчитана на другие неполадки, способные вывести инструмент из строя, и обеспечивает автоматический останов инструмента. В случае временной остановки или прекращения работы инструмента выполните все перечисленные ниже действия для устранения причин остановки.

1. Выключите и снова включите инструмент для его перезапуска.
2. Зарядите аккумулятор(-ы) или замените его/их на заряженный(-е).
3. Дайте устройству и аккумулятору(-ам) возможность остыть.

Если после восстановления системы защиты ситуация не изменится, обратитесь в сервисный центр Makita.

ПРИМЕЧАНИЕ: Если инструмент останавливается по причине, не описанной выше, см. раздел, касающийся поиска и устранения неисправностей.

Предупреждение о перегрузке

Если инструмент работает с чрезмерной нагрузкой, индикатор перегрузки загорится красным. В такой ситуации нужно снизить нагрузку на инструмент. После этого индикатор прекратит мигать.

► **Рис.4:** 1. Индикатор перегрузки

Действие выключателя

▲ОСТОРОЖНО: Перед установкой аккумуляторного блока в инструмент обязательно убедитесь, что его триггерный переключатель нормально работает и возвращается в положение "OFF" (ВЫКЛ) при отпуске.

▲ОСТОРОЖНО: ЗАПРЕЩЕНО нарушать работу кнопки разблокировки, заклеивая ее скотчем или другими способами. Выключатель с неработающей кнопкой разблокировки может стать причиной случайного включения и причинения тяжелой травмы.

▲ОСТОРОЖНО: ЗАПРЕЩЕНО использовать инструмент, если он работает при простом нажатии на триггерный переключатель без нажатия кнопки разблокировки. Требующий ремонта переключатель может случайно привести к включению инструмента, что может привести к тяжелой травме. Верните инструмент в сервисный центр Makita для надлежащего ремонта ДО продолжения его эксплуатации.

Для предотвращения случайного нажатия триггерного переключателя предусмотрена кнопка разблокировки. Для запуска инструмента отпустите кнопку блокировки, затем потяните триггерный переключатель. Отпустите триггерный переключатель для остановки.

► **Рис.5:** 1. Триггерный переключатель 2. Кнопка разблокировки

ПРИМЕЧАНИЕ: Не нажимайте сильно на триггерный переключатель без нажатия на кнопку разблокировки. Это может привести к поломке переключателя.

Включение лампы

▲ВНИМАНИЕ: Не смотрите непосредственно на свет или источник света.

Чтобы включить лампу, нажмите кнопку лампы. Для выключения нажмите кнопку лампы еще раз.

► **Рис.6:** 1. Кнопка лампы 2. Лампа

ПРИМЕЧАНИЕ: Лампа автоматически выключится, если в течение одной минуты не будет выполнено никаких действий с инструментом.

Регулировка кожуха диска

Удерживая рукоятку кожуха диска, отрегулируйте положение диска в соответствии со своей задачей.

► **Рис.7:** 1. Рукоятка кожуха диска

Функция распознавания активной обратной связи

С помощью электронного устройства инструмент выявляет ситуации, при которых существует опасность защемления диска. При выявлении такой ситуации инструмент автоматически отключается для предотвращения дальнейшего вращения шпинделя (это не предотвращает отдачу). Чтобы перезапустить инструмент, сначала отключите его. Устраните причину внезапного снижения скорости вращения и вновь включите инструмент.

Электрический тормоз

Электрический тормоз активируется после выключения инструмента.

Тормоз не активируется, если питание отключено (например при извлеченном аккумуляторе), а переключатель находится в положении Вкл.

СБОРКА

▲ВНИМАНИЕ: Перед проведением каких-либо работ с инструментом обязательно убедитесь, что инструмент отключен, а блок аккумулятора снят.

Установка или удаление абразивного отрезного диска / алмазного диска

▲ВНИМАНИЕ: Для установки или снятия диска используйте только ключ Makita.

▲ВНИМАНИЕ: При установке диска надежно затяните болт.

▲ВНИМАНИЕ: Не нажимайте кнопку фиксатора вала во время вращения диска.

Для снятия диска нажмите кнопку фиксатора вала и поворачивайте диск до тех пор, пока он не перестанет вращаться. Когда фиксатор вала полностью заблокирован, поверните болт с шестигранной головкой против часовой стрелки накидным ключом. Затем выверните болт с шестигранной головкой и снимите фланец, диск, кольцо и другой фланец в указанном порядке.

► **Рис.8:** 1. Кнопка фиксатора вала 2. Накидной ключ 3. Затянуть 4. Ослабить

► **Рис.9:** 1. Болт с шестигранной головкой 2. Фланец 3. Кольцо 4. Абразивный отрезной диск / алмазный диск 5. Стрелка (направление вращения диска)

Для установки диска выполните операции по снятию в обратном порядке.

НАДЕЖНО ЗАТЯНИТЕ БОЛТ С ШЕСТИГРАННОЙ ГОЛОВКОЙ.

▲ВНИМАНИЕ: Всегда устанавливайте диск таким образом, чтобы стрелка на нем указывала в том же направлении, что и стрелка на кожухе диска. При несоблюдении этой рекомендации диск может начать вращаться в противоположном направлении и стать причиной травмы.

▲ВНИМАНИЕ: Используйте только диски, на маркировке которых указано, что рабочая частота узла равна или выше рабочей частоте, указанной на маркировке инструмента.

ПРИМЕЧАНИЕ: При установке диска следует крепить фланцы таким образом, чтобы плоская сторона фланца была направлена к диску, а также использовать кольцо, соответствующее внутреннему диаметру диска.

► **Рис.10:** 1. Болт с шестигранной головкой 2. Фланец 3. Кольцо 4. Абразивный отрезной диск / алмазный диск

Подключение к водоснабжению

1. Подготовьте водяной шланг.
2. Снимите гайку на соединительной муфте и пропустите водяной шланг через гайку. Вставьте конец шланга в соединительную муфту и затяните гайку.
► **Рис.11:** 1. Водяной шланг 2. Гайка на соединительной муфте 3. Соединительная муфта

3. Подключите водяной шланг к водоснабжению.

При подсоединении к водопроводному крану используйте подходящий фитинг, например хомут шланга или соединительный элемент водопроводного крана.

► **Рис.12:** 1. Хомут шланга 2. Соединительный элемент водопроводного крана 3. Водяной шланг

ПРИМЕЧАНИЕ: Тип фитинга, который необходимо использовать, зависит от формы водопроводного крана, к которому вы подсоединяете шланг. Приобретите подходящий фитинг.

ПРИМЕЧАНИЕ: Если используется соединительный элемент водопроводного крана, подготовьте другую соединительную муфту и прикрепите ее к другому концу шланга.

ПРИМЕЧАНИЕ: При использовании водяного насоса следуйте инструкциям к водяному насосу по подсоединению водяного шланга.

4. Вставьте соединительную муфту в отверстие для подачи воды таким образом, чтобы она зафиксировалась со щелчком.

► **Рис.13:** 1. Соединительная муфта 2. Отверстие для подачи воды 3. Кран

ПРИМЕЧАНИЕ: Держите кран закрытым до тех пор, пока вы не начнете резание с подачи воды. Порядок подачи воды см. в разделе по эксплуатации.

ЭКСПЛУАТАЦИЯ

▲ВНИМАНИЕ: Во время работы надежно удерживайте деталь на устойчивом верстаке или столе.

▲ВНИМАНИЕ: Не поворачивайте и не вдавливайте инструмент в распил, т. к. это может привести к перегрузке электродвигателя или разлому детали.

Резание

▲ВНИМАНИЕ: Во время работы не поднимайте инструмент выше уровня плеч.

► **Рис.14**

Держите инструмент крепко. Правой рукой удерживайте рукоятку, а левой – переднюю ручку. Во избежание поражения электрическим током при случайном разрезании электрического кабеля обязательно держите переднюю ручку за обозначенный участок, как показано на рисунке.

► **Рис.15:** 1. Деталь, за которую следует удерживать инструмент

Затем перемещайте инструмент по поверхности детали, ровно удерживая его в горизонтальной плоскости и аккуратно подавая его вперед до полного завершения резки. Строго выдерживайте прямую линию резки и подавайте инструмент вперед с постоянной скоростью.

► Рис.16

ПРИМЕЧАНИЕ: При низкой температуре блока аккумуляторов инструмент может работать не в полную мощность. В это время инструмент рекомендуется использовать для резания в легких режимах, пока блок аккумуляторов не нагреется до комнатной температуры. Затем инструмент может работать в полную мощность.

ПРИМЕЧАНИЕ: Если режущая способность алмазного диска начинает уменьшаться, то проведите его правку с помощью старого крупнозернистого шлифовального круга настольного точильного станка или бетонного блока. Выполняйте правку, слегка прижимая внешнюю кромку алмазного диска.

При подаче воды во время резания

ВНИМАНИЕ: При использовании алмазного диска для резки с применением СОЖ всегда подавайте воду во время резки.

Подсоедините инструмент к водоснабжению и поверните кран в указанном направлении стрелкой, как показано. Отрегулируйте положение крана, чтобы добиться плавного потока воды.

► Рис.17: 1. Кран

ВНИМАНИЕ: При подаче воды всегда держите головку инструмента ниже корпуса инструмента, чтобы предотвратить попадание воды в механизм инструмента. Несоблюдение этого требования может привести к поражению электрическим током.

► Рис.18

ОБСЛУЖИВАНИЕ

ВНИМАНИЕ: Перед проведением проверки или работ по техобслуживанию всегда проверяйте, что инструмент выключен, а блок аккумуляторов снят.

ПРИМЕЧАНИЕ: Запрещается использовать бензин, растворители, спирт и другие подобные жидкости. Это может привести к обесцвечиванию, деформации и трещинам.

Для обеспечения БЕЗОПАСНОСТИ и НАДЕЖНОСТИ оборудования ремонт, любое другое техобслуживание или регулировку необходимо производить в уполномоченных сервис-центрах Makita или сервис-центрах предприятия с использованием только сменных частей производства Makita.

Очистка инструмента

После каждого использования извлекайте блоки аккумуляторов и диск, после чего удаляйте пыль, грязь или металлическую стружку, скопившиеся внутри кожуха диска. При очистке корпуса инструмента необходимо вытирать грязь или пыль сухой либо смоченной мыльной водой и отжатой тряпкой. Для удаления пыли с рассеивателя лампы используйте сухую тряпку. Не допускайте возникновения царапин на рассеивателе лампы, так как это может привести к снижению освещенности.

► Рис.19: 1. Кожух диска 2. Линза лампы

Очистка воздушного фильтра

Выполняйте очистку вентиляционных отверстий инструмента регулярно или в случае засорения.

► Рис.20: 1. Вентиляционное отверстие

Замена синхронного ремня

1. Снимите блоки аккумуляторов и диск.
2. Ослабьте болты с внутренним шестигранником, используя наконечник накидного ключа, а затем снимите крышку.

► Рис.21: 1. Накидной ключ 2. Болт с внутренним шестигранником 3. Крышка

3. Нажмите кнопку фиксатора вала и удерживайте ее для фиксации большого шкива, а затем поверните гайку против часовой стрелки тонким концом накидного ключа.

► Рис.22: 1. Большой шкив 2. Кнопка фиксатора вала

4. Нажмите кнопку фиксатора вала и удерживайте ее для фиксации большого шкива, а затем поверните маленький диск против часовой стрелки толстым концом накидного ключа, чтобы ослабить синхронный ремень.

► Рис.23: 1. Кнопка фиксатора вала 2. Большой шкив 3. Маленький диск

5. Снимите ремень.
6. Держа ремень таким образом, чтобы его канавки были направлены внутрь, закрепите один конец ремня на маленьком шкиве, а затем закрепите другой конец ремня на большом шкиве.

► Рис.24: 1. Ремень 2. Большой шкив 3. Маленький шкив

7. Нажмите кнопку фиксатора вала и удерживайте ее для фиксации большого шкива, а затем поверните маленький диск по часовой стрелке толстым концом накидного ключа, чтобы натянуть ремень.

► Рис.25: 1. Кнопка фиксатора вала 2. Большой шкив

ПРИМЕЧАНИЕ: Убедитесь в том, что маленький диск находится в положении, показанном на рисунке.

► Рис.26: 1. Маленький диск

8. Нажмите кнопку фиксатора вала и удерживайте ее для фиксации большого шкива, а затем поверните гайку по часовой стрелке тонким концом накидного ключа.

► **Рис.27:** 1. Кнопка фиксатора вала

ПРИМЕЧАНИЕ: При затягивании гайки крутящий момент затяжки должен составлять 19 - 21 Н•м.

9. Установите крышку, а затем затяните болты с внутренним шестигранником, используя наконечник накидного ключа.

► **Рис.28:** 1. Накидной ключ 2. Болт с внутренним шестигранником 3. Крышка

ПОИСК И УСТРАНЕНИЕ НЕИСПРАВНОСТЕЙ

Прежде чем обращаться по поводу ремонта, проведите осмотр самостоятельно. Если обнаружена неисправность, не указанная в руководстве, не пытайтесь разобрать инструмент. Обратитесь в один из авторизованных сервисных центров Makita, в которых для ремонта всегда используются оригинальные детали Makita.

Состояние неисправности	Возможная причина (неисправности)	Способ устранения
Не работает электромотор.	Блоки аккумуляторов не установлены.	Установите два блока аккумулятора. Этот инструмент не будет работать с одним блоком аккумулятора.
	Неисправен аккумулятор (под напряжением)	Зарядите аккумулятор. Если перезарядка не помогает, замените блок аккумулятора.
	Привод работает неправильно.	Обратитесь в местный авторизованный центр для ремонта.
После непродолжительного использования двигатель останавливается.	Низкий уровень заряда аккумулятора.	Зарядите аккумулятор. Если перезарядка не помогает, замените блок аккумулятора.
	Перегрев.	Прекратите работу и дайте инструменту остыть.
Частота вращения диска не увеличивается должным образом даже после работы инструмента без нагрузки в течение 20 секунд.	Неправильно установлен аккумулятор.	Вставьте блоки аккумуляторов, как описано в этом руководстве.
	Заряд аккумулятора падает.	Подзарядите блоки аккумуляторов. Если подзарядка не помогает, замените блок аккумулятора.
	Синхронный ремень проскальзывает.	Замените синхронный ремень новым.
	Привод работает неправильно.	Обратитесь в местный авторизованный центр для ремонта.
Диск не вращается: ⇒ немедленно выключите машину!	Синхронный ремень проскальзывает.	Замените синхронный ремень новым.
	Посторонний предмет застрял между кожухом и диском.	Снимите блоки аккумуляторов и удалите посторонний предмет.
	Привод работает неправильно.	Обратитесь в местный авторизованный центр для ремонта.
Сильная вибрация: ⇒ немедленно выключите машину!	Неправильное крепление диска.	Установите колесо в соответствии с инструкциями в этом руководстве. Затяните болт, чтобы надежно зафиксировать диск.
	Привод работает неправильно.	Обратитесь в местный авторизованный центр для ремонта.
Режущий узел и двигатель не останавливаются: ⇒ Немедленно извлеките блок аккумулятора!	Электрическая или электронная неисправность.	Извлеките блоки аккумуляторов и обратитесь в местный авторизованный сервисный центр для ремонта.
Низкая эффективность резания	Пришло время заменить диск.	Замените диск новым.
Утечка воды из впускного отверстия.	Утечка воды в месте установки уплотнительного кольца.	Обратитесь в местный авторизованный центр для ремонта.

ДОПОЛНИТЕЛЬНЫЕ ПРИНАДЛЕЖНОСТИ

⚠ВНИМАНИЕ: Данные принадлежности или приспособления рекомендуются для использования с инструментом Makita, указанным в настоящем руководстве. Использование других принадлежностей или приспособлений может привести к получению травмы. Используйте принадлежность или приспособление только по указанному назначению.

Если вам необходимо содействие в получении дополнительной информации по этим принадлежностям, свяжитесь с вашим сервис-центром Makita.

- Абразивный отрезной диск
- Алмазный диск
- Набор колец
- Синхронный ремень
- Соединительная муфта
- Накладной ключ
- Оригинальный аккумулятор и зарядное устройство Makita

ПРИМЕЧАНИЕ: Некоторые элементы списка могут входить в комплект инструмента в качестве стандартных приспособлений. Они могут отличаться в зависимости от страны.

© KOMFORT



Makita Europe N.V. Jan-Baptist Vinkstraat 2,
3070 Kortenberg, Belgium

Makita Corporation 3-11-8, Sumiyoshi-cho,
Anjo, Aichi 446-8502 Japan

www.makita.com

885944-988 EN, SV, NO, FI, DA, LV, LT, ET, RU 20211117
