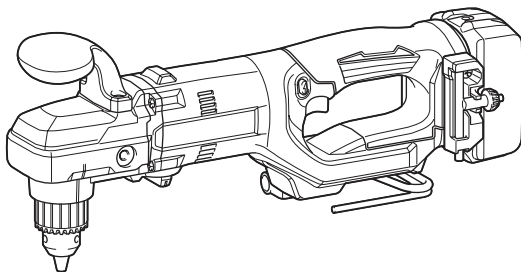
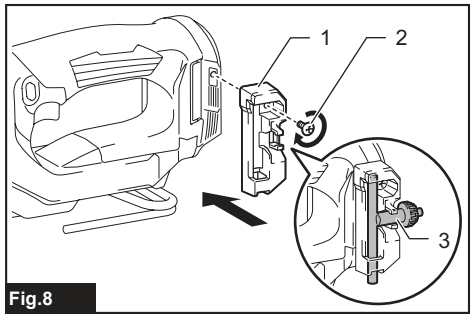
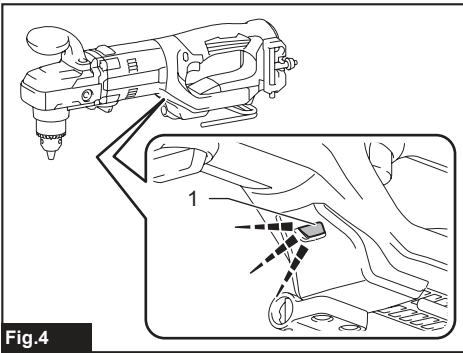
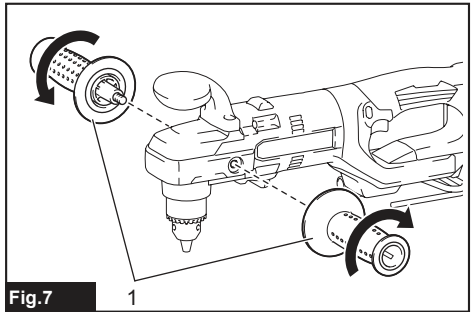
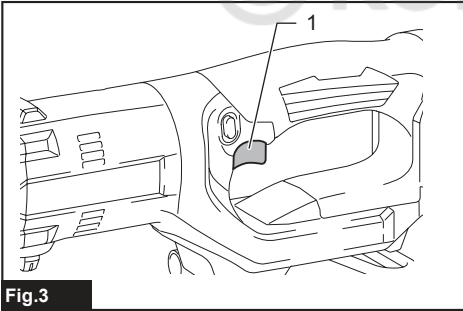
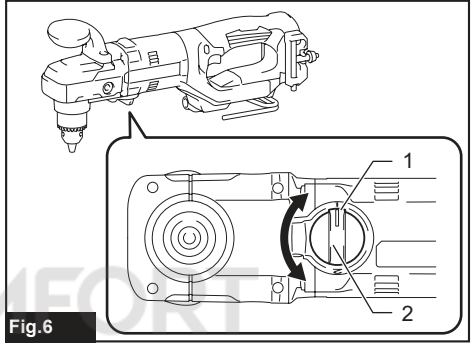
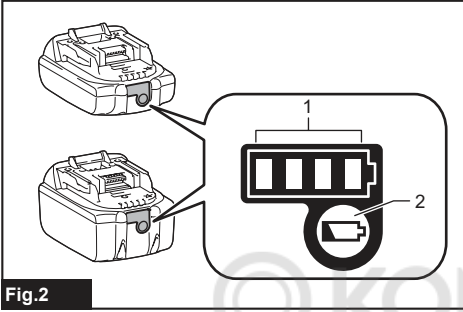
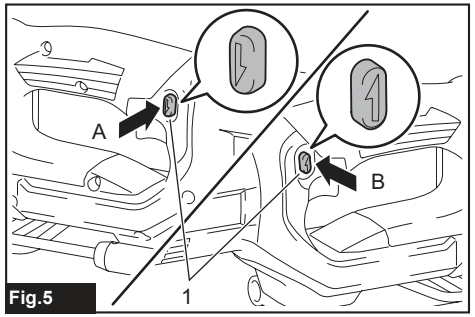
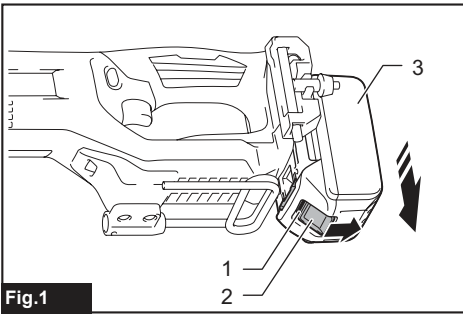




| | | | |
|-----------|----------------------------------|-----------------------------|----|
| EN | Cordless Angle Drill | INSTRUCTION MANUAL | 4 |
| SV | Sladdlös vinkelbormaskin | BRUKSANVISNING | 10 |
| NO | Batteridrevet vinkelboremaskin | BRUKSANVISNING | 16 |
| FI | Akkukulmaporakone | KÄYTTÖOHJE | 22 |
| DA | Akku vinkelboremaskine | BRUGSANVISNING | 28 |
| LV | Bezvada leņķa urbmašīna | LIETOŠANAS INSTRUKCIJA | 34 |
| LT | Akumuliatorinis kampinis grąžtas | NAUDOJIMO INSTRUKCIJA | 40 |
| ET | Juhtmeta nurktrull | KASUTUSJUHEND | 46 |
| RU | Аккумуляторная угловая дрель | РУКОВОДСТВО ПО ЭКСПЛУАТАЦИИ | 52 |

DDA450





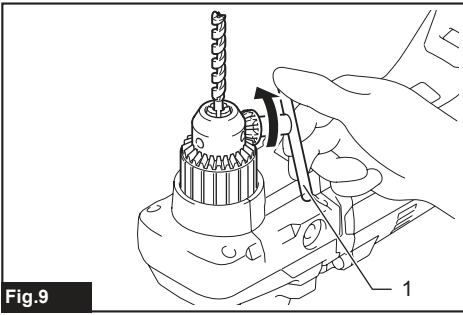


Fig.9

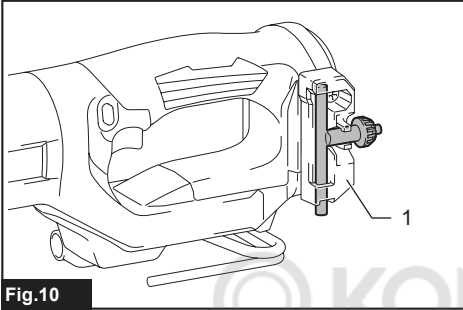


Fig.10

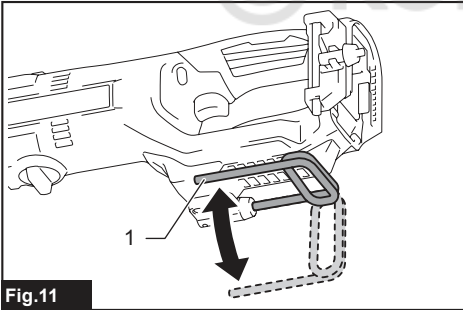


Fig.11

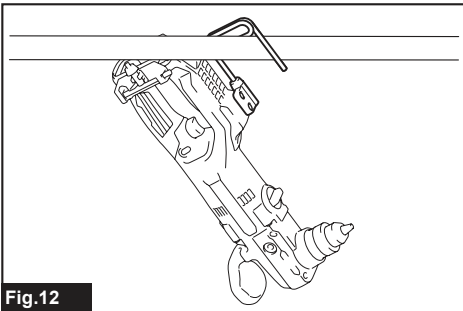


Fig.12

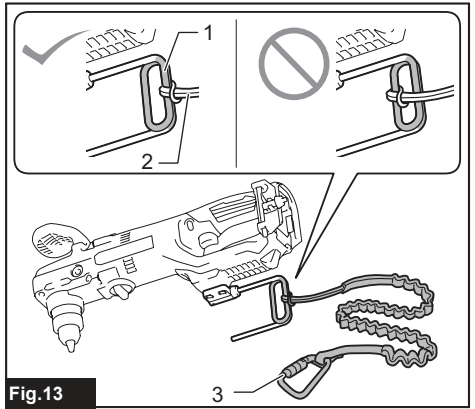


Fig.13

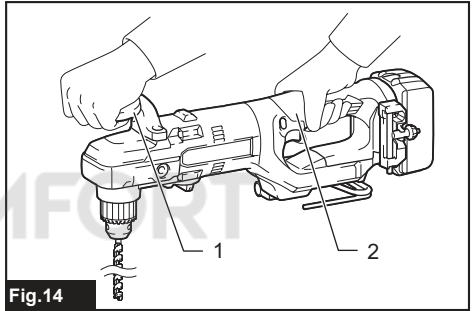


Fig.14

SPECIFICATIONS

| | | | |
|---|-------|--|--|
| Model: | | DDA450 | |
| Gear speed | | High | Low |
| Drilling capacities | Steel | 13 mm | |
| | Wood | Auger bit: 38 mm Self-feed bit: 50 mm Hole saw: 101 mm | Auger bit: 38 mm Self-feed bit: 65 mm Hole saw: 127 mm |
| No load speed | | 0 - 1,400 min ⁻¹ | 0 - 450 min ⁻¹ |
| Overall length (With battery cartridge BL1860B) | | 434 mm | |
| Rated voltage | | D.C. 18 V | |
| Net weight | | 3.2 - 3.5 kg | |

- Due to our continuing program of research and development, the specifications herein are subject to change without notice.
- Specifications may differ from country to country.
- The weight may differ depending on the attachment(s), including the battery cartridge. The lightest and heaviest combination, according to EPTA-Procedure 01/2014, are shown in the table.

Applicable battery cartridge and charger

| | |
|-------------------|--|
| Battery cartridge | BL1815N / BL1820B / BL1830B / BL1840B / BL1850B / BL1860B |
| Charger | DC18RC / DC18RD / DC18RE / DC18SD / DC18SE / DC18SF / DC18SH |

- Some of the battery cartridges and chargers listed above may not be available depending on your region of residence.

⚠ WARNING: Only use the battery cartridges and chargers listed above. Use of any other battery cartridges and chargers may cause injury and/or fire.

Intended use

The tool is intended for drilling in wood, metal and plastic.

Noise

The typical A-weighted noise level determined according to EN62841-2-1:

Sound pressure level (L_{pA}): 83 dB(A)

Sound power level (L_{WA}): 94 dB (A)

Uncertainty (K) : 3 dB(A)

NOTE: The declared noise emission value(s) has been measured in accordance with a standard test method and may be used for comparing one tool with another.

NOTE: The declared noise emission value(s) may also be used in a preliminary assessment of exposure.

⚠ WARNING: Wear ear protection.

⚠ WARNING: The noise emission during actual use of the power tool can differ from the declared value(s) depending on the ways in which the tool is used especially what kind of workpiece is processed.

⚠ WARNING: Be sure to identify safety measures to protect the operator that are based on an estimation of exposure in the actual conditions of use (taking account of all parts of the operating cycle such as the times when the tool is switched off and when it is running idle in addition to the trigger time).

Vibration

The vibration total value (tri-axial vector sum) determined according to EN62841-2-1:

Work mode: drilling into metal

Vibration emission ($a_{h,D}$): 2.5 m/s² or less

Uncertainty (K) : 1.5 m/s²

NOTE: The declared vibration total value(s) has been measured in accordance with a standard test method and may be used for comparing one tool with another.

NOTE: The declared vibration total value(s) may also be used in a preliminary assessment of exposure.

⚠ WARNING: The vibration emission during actual use of the power tool can differ from the declared value(s) depending on the ways in which the tool is used especially what kind of workpiece is processed.

⚠ WARNING: Be sure to identify safety measures to protect the operator that are based on an estimation of exposure in the actual conditions of use (taking account of all parts of the operating cycle such as the times when the tool is switched off and when it is running idle in addition to the trigger time).

EC Declaration of Conformity

For European countries only

The EC declaration of conformity is included as Annex A to this instruction manual.

SAFETY WARNINGS

General power tool safety warnings

⚠WARNING: Read all safety warnings, instructions, illustrations and specifications provided with this power tool. Failure to follow all instructions listed below may result in electric shock, fire and/or serious injury.

Save all warnings and instructions for future reference.

The term "power tool" in the warnings refers to your mains-operated (corded) power tool or battery-operated (cordless) power tool.

Cordless drill safety warnings

Safety instructions for all operations

1. **Use the auxiliary handle(s).** Loss of control can cause personal injury.
2. **Hold the power tool by insulated gripping surfaces, when performing an operation where the cutting accessory may contact hidden wiring.** Cutting accessory contacting a "live" wire may make exposed metal parts of the power tool "live" and could give the operator an electric shock.
3. **Always be sure you have a firm footing. Be sure no one is below when using the tool in high locations.**
4. **Hold the tool firmly.**
5. **Keep hands away from rotating parts.**
6. **Do not leave the tool running. Operate the tool only when hand-held.**
7. **Do not touch the drill bit or the workpiece immediately after operation; they may be extremely hot and could burn your skin.**
8. **Some material contains chemicals which may be toxic. Take caution to prevent dust inhalation and skin contact. Follow material supplier safety data.**
9. **If the drill bit cannot be loosened even you open the jaws, use pliers to pull it out.** In such a case, pulling out the drill bit by hand may result in injury by its sharp edge.
10. **If something wrong with the tool such as abnormal sounds, stop operating immediately and ask your local Makita Service Center for repair.**
11. **Before operation, make sure that there is no buried object such as electric pipe, water pipe or gas pipe in the ground.** Otherwise, the tool may touch them, resulting an electric shock, electrical leakage or gas leak.

Safety instructions when using long drill bits

1. **Never operate at higher speed than the maximum speed rating of the drill bit.** At higher speeds, the bit is likely to bend if allowed to rotate freely without contacting the workpiece, resulting in personal injury.
2. **Always start drilling at low speed and with the bit tip in contact with the workpiece.** At higher speeds, the bit is likely to bend if allowed to rotate freely without contacting the workpiece, resulting in personal injury.

3. **Apply pressure only in direct line with the bit and do not apply excessive pressure.** Bits can bend causing breakage or loss of control, resulting in personal injury.

SAVE THESE INSTRUCTIONS.

⚠WARNING: DO NOT let comfort or familiarity with product (gained from repeated use) replace strict adherence to safety rules for the subject product. MISUSE or failure to follow the safety rules stated in this instruction manual may cause serious personal injury.

Important safety instructions for battery cartridge

1. **Before using battery cartridge, read all instructions and cautionary markings on (1) battery charger, (2) battery, and (3) product using battery.**
2. **Do not disassemble or tamper with the battery cartridge.** It may result in a fire, excessive heat, or explosion.
3. **If operating time has become excessively shorter, stop operating immediately. It may result in a risk of overheating, possible burns and even an explosion.**
4. **If electrolyte gets into your eyes, rinse them out with clear water and seek medical attention right away. It may result in loss of your eyesight.**
5. **Do not short the battery cartridge:**
 - (1) **Do not touch the terminals with any conductive material.**
 - (2) **Avoid storing battery cartridge in a container with other metal objects such as nails, coins, etc.**
 - (3) **Do not expose battery cartridge to water or rain.**

A battery short can cause a large current flow, overheating, possible burns and even a breakdown.

6. **Do not store and use the tool and battery cartridge in locations where the temperature may reach or exceed 50 °C (122 °F).**
7. **Do not incinerate the battery cartridge even if it is severely damaged or is completely worn out. The battery cartridge can explode in a fire.**
8. **Do not nail, cut, crush, throw, drop the battery cartridge, or hit against a hard object to the battery cartridge.** Such conduct may result in a fire, excessive heat, or explosion.
9. **Do not use a damaged battery.**
10. **The contained lithium-ion batteries are subject to the Dangerous Goods Legislation requirements.** For commercial transports e.g. by third parties, forwarding agents, special requirement on packaging and labeling must be observed. For preparation of the item being shipped, consulting an expert for hazardous material is required. Please also observe possibly more detailed national regulations.
Tape or mask off open contacts and pack up the battery in such a manner that it cannot move around in the packaging.

11. When disposing the battery cartridge, remove it from the tool and dispose of it in a safe place. Follow your local regulations relating to disposal of battery.
12. Use the batteries only with the products specified by Makita. Installing the batteries to non-compliant products may result in a fire, excessive heat, explosion, or leak of electrolyte.
13. If the tool is not used for a long period of time, the battery must be removed from the tool.
14. During and after use, the battery cartridge may take on heat which can cause burns or low temperature burns. Pay attention to the handling of hot battery cartridges.
15. Do not touch the terminal of the tool immediately after use as it may get hot enough to cause burns.
16. Do not allow chips, dust, or soil stuck into the terminals, holes, and grooves of the battery cartridge. It may result in poor performance or breakdown of the tool or battery cartridge.
17. Unless the tool supports the use near high-voltage electrical power lines, do not use the battery cartridge near high-voltage electrical power lines. It may result in a malfunction or breakdown of the tool or battery cartridge.
18. Keep the battery away from children.

SAVE THESE INSTRUCTIONS.

CAUTION: Only use genuine Makita batteries. Use of non-genuine Makita batteries, or batteries that have been altered, may result in the battery bursting causing fires, personal injury and damage. It will also void the Makita warranty for the Makita tool and charger.

Tips for maintaining maximum battery life

1. Charge the battery cartridge before completely discharged. Always stop tool operation and charge the battery cartridge when you notice less tool power.
2. Never recharge a fully charged battery cartridge. Overcharging shortens the battery service life.
3. Charge the battery cartridge with room temperature at 10 °C - 40 °C (50 °F - 104 °F). Let a hot battery cartridge cool down before charging it.
4. When not using the battery cartridge, remove it from the tool or the charger.
5. Charge the battery cartridge if you do not use it for a long period (more than six months).

FUNCTIONAL DESCRIPTION

CAUTION: Always be sure that the tool is switched off and the battery cartridge is removed before adjusting or checking function on the tool.

Installing or removing battery cartridge

CAUTION: Always switch off the tool before installing or removing of the battery cartridge.

CAUTION: Hold the tool and the battery cartridge firmly when installing or removing battery cartridge. Failure to hold the tool and the battery cartridge firmly may cause them to slip off your hands and result in damage to the tool and battery cartridge and a personal injury.

► Fig.1: 1. Red indicator 2. Button 3. Battery cartridge

To remove the battery cartridge, slide it from the tool while sliding the button on the front of the cartridge.

To install the battery cartridge, align the tongue on the battery cartridge with the groove in the housing and slip it into place. Insert it all the way until it locks in place with a little click. If you can see the red indicator on the upper side of the button, it is not locked completely.

CAUTION: Always install the battery cartridge fully until the red indicator cannot be seen. If not, it may accidentally fall out of the tool, causing injury to you or someone around you.

























CAUTION: Do not install the battery cartridge forcibly. If the cartridge does not slide in easily, it is not being inserted correctly.

Indicating the remaining battery capacity

Only for battery cartridges with the indicator

► Fig.2: 1. Indicator lamps 2. Check button

Press the check button on the battery cartridge to indicate the remaining battery capacity. The indicator lamps light up for a few seconds.

| Indicator lamps | | | Remaining capacity |
|---|---|--|-------------------------------------|
|  Lighted |  Off |  Blinking | |
|  |  |  | 75% to 100% |
|  |  |  | 50% to 75% |
|  |  |  | 25% to 50% |
|  |  |  | 0% to 25% |
|  |  |  | Charge the battery. |
|  |  |  | The battery may have malfunctioned. |
|  |  |  | |

NOTE: Depending on the conditions of use and the ambient temperature, the indication may differ slightly from the actual capacity.

NOTE: The first (far left) indicator lamp will blink when the battery protection system works.

Tool / battery protection system

The tool is equipped with a tool/battery protection system. This system automatically cuts off power to the motor to extend tool and battery life. The tool will automatically stop during operation if the tool or battery is placed under one of the following conditions:

Overload protection

When the tool/battery is operated in a manner that causes it to draw an abnormally high current, the tool stops automatically. In this situation, turn the tool off and stop the application that caused the tool to become overloaded. Then turn the tool on to restart.

Overheat protection

When the tool/battery is overheated, the tool stops automatically and the lamp will blink. In this situation, let the tool cool down before turning the tool on again.

Overdischarge protection

When the battery capacity is not enough, the tool stops automatically. In this case, remove the battery from the tool and charge the battery.

Switch action

CAUTION: Before installing the battery cartridge into the tool, always check to see that the switch trigger actuates properly and returns to the "OFF" position when released.

► **Fig.3:** 1. Switch trigger

To start the tool, pull the switch trigger. Tool speed is increased by increasing pressure on the switch trigger. Release the switch trigger to stop.

NOTE: The tool automatically stops if you keep pulling the switch trigger for about 6 minutes.

Lighting up the front lamp

CAUTION: Do not look in the light or see the source of light directly.

► **Fig.4:** 1. Lamp

Pull the switch trigger to light up the lamp. The lamp keeps on lighting while the switch trigger is being pulled. The lamp goes out approximately 10 seconds after releasing the switch trigger.

NOTE: When the tool is overheated, the tool stops automatically and the lamp starts flashing. In this case, release the switch trigger. The lamp turns off in 1 minute(s).

NOTE: Use a dry cloth to wipe the dirt off the lens of the lamp. Be careful not to scratch the lens of lamp, or it may lower the illumination.

Reversing switch action

CAUTION: Always check the direction of rotation before operation.

CAUTION: Use the reversing switch only after the tool comes to a complete stop. Changing the direction of rotation before the tool stops may damage the tool.

CAUTION: When not operating the tool, always set the reversing switch lever to the neutral position.

This tool has a reversing switch to change the direction of rotation. Depress the reversing switch lever from the A side for clockwise rotation or from the B side for counterclockwise rotation.

When the reversing switch lever is in the neutral position, the switch lever cannot be pulled.

► **Fig.5:** 1. Reversing switch lever

Speed change

NOTICE: Use the speed change knob only after the tool comes to a complete stop. Changing the tool speed before the tool stops may damage the tool.

NOTICE: Always set the speed change knob carefully into the correct position. If you operate the tool with the speed change knob positioned halfway between the position 1 and the position 2, the tool may be damaged.

NOTICE: If the rotation speed significantly decreases during operation in the high speed mode, stop the tool and change the mode to the low speed mode. Otherwise, the motor may get overloaded and cause a malfunction or fire.

Two speed ranges can be preselected with the speed change knob.

To change the speed, turn the speed change knob so that the pointer points to the position 1 for low speed mode or the position 2 for high speed mode.

► **Fig.6:** 1. Pointer 2. Speed change knob

Electronic function

Electric brake

This tool is equipped with an electric brake. If the tool consistently fails to quickly cease to function after the switch trigger is released, have the tool serviced at a Makita service center.

Soft start feature

This function allows the smooth start-up of the tool by limiting the start-up torque.

ASSEMBLY

CAUTION: Always be sure that the tool is switched off and the battery cartridge is removed before carrying out any work on the tool.

Installing side grip (auxiliary handle)

CAUTION: Always be sure that the side grip is installed securely before operation.

Screw the side grip on the tool securely. The side grip can be installed on either side of the tool, whichever is convenient.

► Fig.7: 1. Side grip

Installing key holder

(Country specific)

CAUTION: Always be sure that the key holder is installed securely before operation.

Screw the key holder on the tool securely. Then place the chuck key in position.

► Fig.8: 1. Key holder 2. Screw 3. Chuck key

Installing or removing drill bit

To install the drill bit, place it in the chuck as far as it will go. Tighten the chuck by hand. Place the chuck key in each of the three holes and tighten clockwise. Be sure to tighten all three chuck holes evenly.

To remove the drill bit, turn the chuck key counterclockwise in just one hole, then loosen the chuck by hand.

► Fig.9: 1. Chuck key

After use, return the chuck key to the key holder on the tool as illustrated.

► Fig.10: 1. Key holder

Hook

CAUTION: Always remove the battery when hanging the tool with the hook.

CAUTION: Never hook the tool at high location or on potentially unstable surface.

The hook is convenient for temporarily hanging the tool. To use the hook, simply lift up hook until it snaps into the open position. When not in use, always lower hook until it snaps into the closed position.

► Fig.11: 1. Hook

► Fig.12

Connecting lanyard (tether strap) to the hook

CAUTION: Do not use damaged hook and screws. Before use, always check for damages, cracks or deformations, and make sure that the screws are tightened.

CAUTION: Make sure that the hook is securely installed with the screws.

CAUTION: Do not install or remove any accessory while hanging the tool. The tool may fall if the screws are not tightened.

CAUTION: Always use a locking carabiner (multi-action and screw gate type) and be sure to attach the lanyard (tether strap) to the double looped portion of the hook. Improper attachment may cause tool drop from the hook and result in personal injury.

The hook is also used for connecting the lanyard (tether strap). Be sure to connect the lanyard (tether strap) to the double looped portion of the hook.

► Fig.13: 1. Double looped portion of the hook
2. Lanyard (tether strap) 3. Locking carabiner (multi-action and screw gate type)

OPERATION

CAUTION: Always insert the battery cartridge all the way until it locks in place. If you can see the red indicator on the upper side of the button, it is not locked completely. Insert it fully until the red indicator cannot be seen. If not, it may accidentally fall out of the tool, causing injury to you or someone around you.

CAUTION: When the speed comes down extremely, reduce the load or stop the tool to avoid the tool damage.

CAUTION: Hold the tool firmly when operating the tool.

Holding tool

CAUTION: This is a powerful tool. High torque is developed and it is important that the tool should be securely held and properly braced.

Grasp the handle with one hand and the front handle with the other hand.

► Fig.14: 1. Front handle 2. Handle

Drilling operation

Drilling in wood

When drilling in wood, the best results are obtained with wood drills equipped with a guide screw. The guide screw makes drilling easier by pulling the drill bit into the workpiece.

Drilling in metal

To prevent the drill bit from slipping when starting a hole, make an indentation with a center-punch and hammer at the point to be drilled. Place the point of the drill bit in the indentation and start drilling. Use a cutting lubricant when drilling metals. The exceptions are iron and brass which should be drilled dry.

⚠CAUTION: Pressing excessively on the tool will not speed up the drilling. In fact, this excessive pressure will only serve to damage the tip of your drill bit, decrease the tool performance and shorten the service life of the tool.

⚠CAUTION: Hold the tool firmly and exert care when the drill bit begins to break through the workpiece. There is a tremendous force exerted on the tool/drill bit at the time of hole break through.

⚠CAUTION: A stuck drill bit can be removed simply by setting the reversing switch to reverse rotation in order to back out. However, the tool may back out abruptly if you do not hold it firmly.

⚠CAUTION: Always secure workpieces in a vise or similar hold-down device.

⚠CAUTION: Avoid drilling in material that you suspect contains hidden nails or other things that may cause the drill bit to bind or break.

⚠CAUTION: If the tool is operated continuously until the battery cartridge has discharged, allow the tool to rest for 15 minutes before proceeding with a fresh battery.

Lanyard (tether strap) connection

⚠Safety warnings specific for use at height
Read all safety warnings and instructions. Failure to follow the warnings and instructions may result in serious injury.

1. Always keep the tool tethered when working "at height". Maximum lanyard length is 2 m (6.5 ft). The maximum permissible fall height for lanyard (tether strap) must not exceed 2 m (6.5 ft).
2. Use only with lanyards appropriate for this tool type and rated for at least 5.0 kg (11.0 lbs).
3. Do not anchor the tool lanyard to anything on your body or on movable components. Anchor the tool lanyard to a rigid structure that can withstand the forces of a dropped tool.
4. Make sure the lanyard is properly secured at each end prior to use.
5. Inspect the tool and lanyard before each use for damage and proper function (including fabric and stitching). Do not use if damaged or not functioning properly.
6. Do not wrap lanyards around or allow them to come in contact with sharp or rough edges.
7. Fasten the other end of the lanyard outside the working area so that a falling tool is held securely.
8. Attach the lanyard so that the tool will move away from the operator if it falls. Dropped tools will swing on the lanyard, which could cause injury or loss of balance.

9. Do not use near moving parts or running machinery. Failure to do so may result in a crush or entanglement hazard.
10. Do not carry the tool by the attachment device or the lanyard.
11. Only transfer the tool between your hands while you are properly balanced.
12. Do not attach lanyards to the tool in a way that keeps guards, switches or lock-offs from operating properly.
13. Avoid getting tangled in the lanyard.
14. Keep lanyard away from the cutting area of the tool.
15. Use multi-action and screw gate type carabineers. Do not use single action spring clip carabineers.
16. In the event the tool is dropped, it must be tagged and removed from service, and should be inspected by a Makita Factory or Authorized Service Center.

MAINTENANCE

⚠CAUTION: Always be sure that the tool is switched off and the battery cartridge is removed before attempting to perform inspection or maintenance.

NOTICE: Never use gasoline, benzine, thinner, alcohol or the like. Discoloration, deformation or cracks may result.

To maintain product SAFETY and RELIABILITY, repairs, any other maintenance or adjustment should be performed by Makita Authorized or Factory Service Centers, always using Makita replacement parts.

OPTIONAL ACCESSORIES

⚠CAUTION: These accessories or attachments are recommended for use with your Makita tool specified in this manual. The use of any other accessories or attachments might present a risk of injury to persons. Only use accessory or attachment for its stated purpose.

If you need any assistance for more details regarding these accessories, ask your local Makita Service Center.

- Drill bits
- Makita genuine battery and charger

NOTE: Some items in the list may be included in the tool package as standard accessories. They may differ from country to country.

SPECIFIKATIONER

| Modell: | | DDA450 | |
|--|------|---|---|
| Kugghjulshastighet | | Hög | Låg |
| Borrkapaciteter | Stål | 13 mm | |
| | Trä | Borrbits: 38 mm Självmätande bits: 50 mm Hålsåg: 101 mm | Borrbits: 38 mm Självmätande bits: 65 mm Hålsåg: 127 mm |
| Hastighet utan belastning | | 0 - 1 400 min ⁻¹ | 0 - 450 min ⁻¹ |
| Total längd (med batterikassett BL1860B) | | 434 mm | |
| Märkspänning | | 18 V likström | |
| Nettovikt | | 3,2 - 3,5 kg | |

- På grund av vårt pågående program för forskning och utveckling kan dessa specifikationer ändras utan föregående meddelande.
- Specifikationer kan variera mellan olika länder.
- Vikten kan variera beroende på tillbehören, inklusive batterikassett. Den lättaste och den tyngsta kombinationen enligt EPTA-procedur 01/2014 visas i tabellen.

Tillgänglig batterikassett och laddare

| | |
|----------------|--|
| Batterikassett | BL1815N / BL1820B / BL1830B / BL1840B / BL1850B / BL1860B |
| Laddare | DC18RC / DC18RD / DC18RE / DC18SD / DC18SE / DC18SF / DC18SH |

- Vissa av batterikassetterna och laddarna på listan ovan kanske inte finns tillgängliga i din region.

⚠ VARNING: Använd endast batterikassetter och laddare från listan ovan. Användning av andra batterikassetter och laddare kan orsaka personskada och/eller brand.

Avsedd användning

Maskinen är avsedd för borring i trä, metall och plast.

Buller

Den normala bullernivån för A-belastning är bestämd enligt EN62841-2-1:

Ljudtrycksnivå (L_{pA}): 83 dB (A)

Ljudeffektnivå (L_{WA}): 94 dB (A)

Mättolerans (K): 3 dB (A)

OBS: Det deklarerade bullervärdet har uppmätts i enlighet med standardtestmetoden och kan användas för jämförandet av en maskin med en annan.

OBS: Det deklarerade bulleremissionsvärdet kan också användas i en preliminär bedömning av exponering för vibration.

⚠ VARNING: Använd hörselskydd.

⚠ VARNING: Bulleremissionen under faktisk användning av maskinen kan skilja sig från det deklarerade värdet, beroende på hur maskinen används och särskilt vilken typ av arbetsstycke som behandlas.

⚠ VARNING: Var noga med att identifiera säkerhetsåtgärder för att skydda användaren, vilka är grundade på en uppskattning av graden av exponering för vibrationer under de faktiska användningsförhållandena, (ta, förutom avtryckartiden, med alla delar av användarcykeln i beräkningen, som till exempel tiden då maskinen är avstängd och när den går på tomgång).

Vibration

Det totala vibrationsvärdet (treaxlad vektorsumma) bestämt enligt EN62841-2-1:

Arbetsläge: borring i metall

Vibrationsemission ($a_{h,D}$): 2,5 m/s² eller lägre

Mättolerans (K): 1,5 m/s²

OBS: Det deklarerade totala vibrationsvärdet har uppmätts i enlighet med standardtestmetoden och kan användas för jämförandet av en maskin med en annan.

OBS: Det deklarerade totala vibrationsvärdet kan också användas i en preliminär bedömning av exponering för vibration.

⚠ VARNING: Vibrationsemissionen under faktisk användning av maskinen kan skilja sig från det deklarerade värdet, beroende på hur maskinen används och särskilt vilken typ av arbetsstycke som behandlas.

⚠ VARNING: Var noga med att identifiera säkerhetsåtgärder för att skydda användaren, vilka är grundade på en uppskattning av graden av exponering för vibrationer under de faktiska användningsförhållandena, (ta, förutom avtryckartiden, med alla delar av användarcykeln i beräkningen, som till exempel tiden då maskinen är avstängd och när den går på tomgång).

EG-försäkran om överensstämmelse

Gäller endast inom EU

EG-försäkran om överensstämmelse inkluderas som bilaga A till denna bruksanvisning.

SÄKERHETSVARNINGAR

Allmänna säkerhetsvarningar för maskiner

⚠ VARNING: Läs alla säkerhetsvarningar, anvisningar, illustrationer och specifikationer som medföljer det här maskinen. Underlåtenhet att följa instruktionerna kan leda till elstötar, brand och/eller allvarliga personskador.

Spara alla varningar och instruktioner för framtida referens.

Termen "maskin" som anges i varningarna hänvisar till din eldrivna maskin (sladdansluten) eller batteridrivna maskin (sladdlös).

Säkerhetsvarningar för batteridrivna bormaskin

Säkerhetsinstruktioner för alla åtgärder

1. Använd extrahandtaget/handtagen. Om du förlorar kontrollen över maskinen kan det leda till personskador.
2. Håll verktyget i de isolerade handtagen om det finns risk för att skärtillbehöret kan komma i kontakt med en dold elkabel. Om kapverktyget kommer i kontakt med en strömförande ledning blir verktygets blottlagda metalldelar strömförande och kan ge användaren en elektrisk stöt.
3. Se till att alltid ha ordentligt fotfäste. Se till att ingen står under dig när maskinen används på hög höjd.
4. Håll stadigt i maskinen.
5. Håll händerna på avstånd från roterande delar.
6. Lämna inte maskinen igång. Använd endast maskinen när du håller den i händerna.
7. Rör inte vid borbbits eller arbetsstycke omedelbart efter användning eftersom de kan vara extremt varma och orsaka brännskador.
8. Vissa material kan innehålla giftiga kemikalier. Se till att du inte andas in damm eller får det på huden. Följ anvisningarna i leverantörens materialsäkerhetsblad.
9. Om borret inte kan lossas även om du öppnar chocken, använd en tång för att dra ut det. Om man drar ut det för hand kan man skada sig på dess vassa kanter.
10. Om det är något fel med verktyget som onormala ljud, sluta omedelbart arbeta och be ditt lokala Makita servicecenter om reparation.
11. Innan användning, måste du se till att det inte finns några begravningsföremål som elrör, vattenrör eller gasrör i marken. Annars kan verktyget komma åt dessa vilket kan leda till elstöt, elektriskt läckage eller gasläcka.

Säkerhetsinstruktioner vid användning av långa borbbits

1. Kör aldrig i högre hastighet än den maximala märkhastigheten för borbbitset. I högre hastigheter blir bitset förmodligen böjt om det får rotera fritt utan kontakt med arbetsstycket, vilket leder till personskada.
2. Börja alltid borra i låg hastighet och med bits-spetsen i kontakt med arbetsstycket. I högre hastigheter blir bitset förmodligen böjt om det får rotera fritt utan kontakt med arbetsstycket, vilket leder till personskada.
3. Sätt in tryck endast vid direkt stadig kontakt med bitset och tryck inte på för mycket. Bits kan böja sig med följderna att de går sönder eller man tappar kontrollen, med personskada som följd.

SPARA DESSA ANVISNINGAR.

⚠ VARNING: GLÖM INTE att också fortsättningsvis strikt följa säkerhetsanvisningarna för maskinen även efter att du blivit van att använda den. Vid FELAKTIG HANTERING av maskinen eller om inte säkerhetsanvisningarna i denna bruksanvisning följs kan följden bli allvarliga personskador.

Viktiga säkerhetsanvisningar för batterikassetten

1. Innan batterikassetten används ska alla instruktioner och varningsmärken på (1) batteriladdaren, (2) batteriet och (3) produkten läsas.
2. Montera inte isär eller mixra med batterikassetten. Det kan leda till brand, överdriven värme eller explosion.
3. Om drifttiden blivit avsevärt kortare ska användningen avbrytas omedelbart. Det kan uppstå överhettning, brännskador och t o m en explosion.
4. Om du får elektrolyt i ögonen ska de sköljas med rent vatten och läkare uppsökas omedelbart. Det finns risk för att synen förloras.
5. Kortslut inte batterikassetten.
 - (1) Rör inte vid polerna med något strömförande material.
 - (2) Undvik att förvara batterikassetten tillsammans med andra metallobjekt som t.ex. spikar, mynt o.s.v.
 - (3) Skydda batteriet mot vatten och regn. En batterikortslutning kan orsaka ett stort strömflöde, överhettning, brand och maskin haveri.
6. Förvara och använd inte verktyget och batterikassetten på platser där temperaturen kan nå eller överstiga 50 °C.
7. Bränn inte upp batterikassetten även om den är svårt skadad eller helt utsliten. Batterikassetten kan explodera i öppen eld.
8. Spika inte i, krossa, kasta, tappa eller slå batterikassetten mot hårda föremål. Dylåka händelser kan leda till brand, överdriven värme eller explosion.
9. Använd inte ett skadat batteri.

- De medföljande litiumjonbatterierna är föremål för kraven i gällande lagstiftning för farligt gods. För kommersiella transporter (av t.ex. tredje parter som speditörsfirmor) måste de särskilda transportkrav som anges på emballaget och etiketter iakttas. För att förbereda den produkt som ska avsändas krävs att du konsulterar en expert på riskmaterial. Var också uppmärksam på att det i ditt land kan finnas ytterligare föreskrifter att följa. Tejpa över eller maskera blottade kontakter och packa batteriet på sådant sätt att det inte kan röra sig fritt i förpackningen.
- När batterikassetten ska kasseras måste den tas bort från maskinen och kasseras på ett säkert sätt. Följ lokala föreskrifter beträffande avfallshandling av batteriet.
- Använd endast batterierna med de produkter som specificerats av Makita. Att använda batterierna med ej godkända produkter kan leda till brand, överdriven värme, explosion eller utläckande elektrolyt.
- Om maskinen inte används under en lång tid måste batteriet tas bort från maskinen.
- Under och efter användning kan batterikassetten bli het vilket kan orsaka brännskador eller lättare brännskador. Var uppmärksam på hur du hanterar varma batterikassetter.
- Vidrör inte verktygets kontakter direkt efter användning eftersom de kan bli heta och orsaka brännskador.
- Låt inte flisor, damm eller smuts fastna i kontaktarna, i hål eller spår i batterikassetten. Det kan leda till dålig prestanda eller till att verktyget eller batterikassetten går sönder.
- Såvida inte verktyget stöder arbeten i närheten av högspänningsledning får batterikassetten inte användas i närheten av en högspänningsledning. Det kan leda till att verktyget eller batterikassetten går sönder eller inte fungerar korrekt.
- Förvara batteriet utom räckhåll för barn.

SPARA DESSA ANVISNINGAR.

⚠ FÖRSIKTIGT: Använda endast äkta Makita-batterier. Användning av oäkta Makita-batterier eller batterier som har manipulerats kan leda till person- och utrustningsskador eller till att batteriet fattar eld. Det upphäver också Makitas garanti för verktyget och laddaren.

Tips för att uppnå batteriets maximala livslängd

- Ladda batterikassetten innan den är helt urladdad. Stanna alltid maskinen och ladda batterikassetten när du märker att maskinen blir svagare.
- Ladda aldrig en fulladdad batterikassett. Överladdning förkortar batteriets livslängd.
- Ladda batterikassetten vid en rumstemperatur på 10 °C - 40 °C. Låt en varm batterikassett svalna innan den laddas.
- När batterikassetten inte används ska den tas bort från verktyget eller laddaren.
- Ladda batterikassetten om du inte har använt den på länge (mer än sex månader).

FUNKTIONS BESKRIVNING

⚠ FÖRSIKTIGT: Se alltid till att maskinen är avstängd och batterikassetten borttagen innan du justerar maskinen eller kontrollerar dess funktioner.

Montera eller demontera batterikassetten

⚠ FÖRSIKTIGT: Stäng alltid av maskinen innan du monterar eller tar bort batterikassetten.

⚠ FÖRSIKTIGT: Håll stadigt i maskinen och batterikassetten när du monterar eller tar bort batterikassetten. I annat fall kan det leda till att de glider ur dina händer och orsakar skada på maskinen och batterikassetten samt personskada.

► Fig.1: 1. Röd indikator 2. Knapp 3. Batterikassett

Ta bort batterikassetten genom att skjuta ner knappen på kassetten framsida samtidigt som du drar ur batterikassetten.

Sätt i batterikassetten genom att rikta in tungan på batterikassetten mot spåret i höljet och skjuta den på plats. Tryck in kassetten hela vägen tills den låser fast med ett klick. Om du kan se den röda indikatorn på knappens ovansida är den inte låst ordentligt.

⚠ FÖRSIKTIGT: Sätt alltid i batterikassetten helt tills den röda indikatorn inte längre syns. I annat fall kan den oväntat falla ur verktyget och skada dig eller någon annan.

⚠ FÖRSIKTIGT: Montera inte batterikassetten med våld. Om kassetten inte lätt glider på plats är den felinsatt.

Indikerar kvarvarande batterikapacitet

Endast för batterikassetter med indikator

► Fig.2: 1. Indikatorlampor 2. Kontrollknapp

Tryck på kontrollknappen på batterikassetten för att se kvarvarande batterikapacitet. Indikatorlamporna lyser i ett par sekunder.

| Indikatorlampor | | | Kvarvarande kapacitet |
|-----------------|---------|---------|---------------------------|
| Upplöst | Av | Bliktar | |
| ■ ■ ■ ■ | □ □ □ □ | ▬ ▬ ▬ ▬ | 75% till 100% |
| ■ ■ ■ □ | □ □ □ □ | ▬ ▬ ▬ ▬ | 50% till 75% |
| ■ ■ □ □ | □ □ □ □ | ▬ ▬ ▬ ▬ | 25% till 50% |
| ■ □ □ □ | □ □ □ □ | ▬ ▬ ▬ ▬ | 0% till 25% |
| ▬ □ □ □ | □ □ □ □ | ▬ ▬ ▬ ▬ | Ladda batteriet. |
| ■ ■ □ □ | □ □ □ □ | ▬ ▬ ▬ ▬ | Batteriet kan ha skadats. |
| □ □ □ □ | ■ ■ ■ ■ | ▬ ▬ ▬ ▬ | |

OBS: Beroende på användningsförhållanden och den omgivande temperaturen kan indikationen skilja sig lätt från den faktiska batterikapaciteten.

OBS: Den första (längst till vänster) indikatorlampan kommer att blinka när batteriskyddssystemet fungerar.

Skyddssystem för maskinen/batteriet

Verktyget är utrustat med ett skyddssystem för verktyget/batteriet. Detta system bryter automatiskt strömmen till motorn för att förlänga verktygets och batteriets livslängd. Verktyget stoppar automatiskt under användningen om verktyget eller batteriet hamnar i en av följande situationer:

Överbelastningsskydd

När maskinen/batteriet används på ett sätt som gör att det drar onormalt mycket ström, stannar maskinen automatiskt. När detta sker stänger du av maskinen och upphör med arbetet som gjorde att maskinen överbelastades. Starta därefter upp maskinen igen.

Överhettningsskydd

När verktyget/batteriet överhettas stoppas verktyget automatiskt och lampan börjar blinka. I det läget låter du verktyget svalna innan du startar det igen.

Överurladdningsskydd

När batteriets kapacitet är otillräcklig stoppar maskinen automatiskt. I sådant fall ska batteriet tas ur maskinen och laddas.

Avtryckarens funktion

⚠ FÖRSIKTIGT: Innan du sätter i batterikassetten i maskinen ska du kontrollera att avtryckaren fungerar och återgår till läget "OFF" när du släpper den.

► Fig.3: 1. Avtryckare

Starta verktyget genom att trycka på avtryckaren. Verktögets hastighet ökas genom att avtryckaren trycks in hårdare. Släpp avtryckaren för att stanna.

OBS: Verktyget stannar automatiskt om du håller in avtryckaren i ca 6 minuter.

Tända frontlampan

⚠ FÖRSIKTIGT: Titta inte in i ljuset eller direkt i ljuskällan.

► Fig.4: 1. Lampa

Tryck på avtryckaren för att tända lampan. Lampan fortsätter att lysa så länge du håller avtryckaren intryckt. Lampan slocknar ungefär 10 sekunder efter att du har släppt avtryckaren.

OBS: När verktyget överhettas stoppas det automatiskt och lampan börjar blinka. Släpp avtryckaren om detta inträffar. Lampan släcks inom 1 minut(er).

OBS: Använd en torr trasa för att torka bort smuts från lampglaset. Var försiktig så att inte lampglaset repas eftersom ljuset då kan bli svagare.

Reverseringsspakens funktion

⚠ FÖRSIKTIGT: Kontrollera alltid rotationsriktningen före användning.

⚠ FÖRSIKTIGT: Använd endast reverseringsknappen när maskinen har stoppat helt. Maskinen kan skadas om du byter rotationsriktning medan den fortfarande roterar.

⚠ FÖRSIKTIGT: Ställ alltid in reverseringsspaken i neutralt läge när du inte använder maskinen.

Denna maskin har en reverseringsknapp för byte av rotationsriktning. Tryck in reverseringsspaken från sida A för medurs rotation och från sida B för moturs rotation. När reverseringsknappen är i neutralt läge fungerar inte avtryckaren.

► Fig.5: 1. Reverseringsspak

Hastighetsändring

OBSERVERA: Använd endast hastighetsvredet när maskinen stannat helt. Maskinen kan skadas om du ändrar hastighetsinställningen medan den fortfarande roterar.

OBSERVERA: Var alltid noga med att ställa in hastighetsvredet i rätt läge. Om du använder maskinen med hastighetsvredet mellan läge 1 och 2 kan maskinen skadas.

OBSERVERA: Om rotationshastigheten sjunker avsevärt under drift i läget hög hastighet, stanna maskinen och ändra läge till läget låg hastighet. Annars kan motorn bli överbelastad och orsaka ett fel eller brand.

Två hastighetsinställningar kan på förhand väljas med hastighetsvredet.

Ändra hastigheten genom att vrida hastighetsvredet så att pekaren pekar på läge 1 för lågt hastighetsläge eller läge 2 för högt hastighetsläge.

► Fig.6: 1. Pekare 2. Hastighetsvred

Elektronisk funktion

Elektronisk broms

Detta verktyg är försedd med en elektronisk broms. Om verktyget inte stannar snabbt efter att avtryckaren släppts, behöver verktyget servas på ett Makita servicecenter.

Mjukstartfunktion

Denna funktion ger en mjuk uppstart av maskinen genom att begränsa vridmomentet vid uppstarten.

MONTERING

⚠ FÖRSIKTIGT: Se alltid till att maskinen är avstängd och batterikassetten borttagen innan du underhåller maskinen.

Montera sidohandtaget (hjälpbandtaget)

⚠ FÖRSIKTIGT: Kontrollera alltid att sidohandtaget sitter fast ordentligt innan arbetet påbörjas.

Skruva fast sidohandtaget på maskinen. Sidohandtaget monteras på den sida av maskinen som är mest lämplig.

► Fig.7: 1. Sidohandtag

Installera nyckelhållare

(landsspecifikt)

⚠ FÖRSIKTIGT: Kontrollera alltid att nyckelhållaren sitter fast ordentligt innan arbetet påbörjas.

Skruva fast nyckelhållaren ordentligt på verktyget. Sätt sedan chucknyckeln på plats.

► Fig.8: 1. Nyckelhållare 2. Skruv 3. Chucknyckel

Sätta i och ta ur borrbits

Placera borret så långt in i chucken som möjligt och montera det på plats. Dra åt chucken för hand. Sätt chucknyckeln i vart och ett av de tre hålen och dra åt medurs. Var noggrann med att dra åt alla tre chuckhålen lika mycket.

När du vill lossa borrbitset vrider du chucknyckeln moturs i endast ett av hålen, och lossar sedan chucken för hand.

► Fig.9: 1. Chucknyckel

Sätt tillbaka chucknyckeln på nyckelhållaren på verktyget enligt bilden när du har använt den.

► Fig.10: 1. Nyckelhållare

Krok

⚠ FÖRSIKTIGT: Ta alltid bort batteriet när du hänger upp maskinen med kroken.

⚠ FÖRSIKTIGT: Häng aldrig upp maskinen på hög höjd eller på platser som inte är helt stabila.

Haken kan användas när du vill hänga upp verktyget temporärt.

När du ska använda kroken lyfter du den helt enkelt tills den fastnar i öppet läge. När du inte behöver den, trycker du in kroken tills den fastnar i stängt läge.

► Fig.11: 1. Krok

► Fig.12

Ansluta repet (fästrem) på kroken

⚠ FÖRSIKTIGT: Använd inte skadad krok och skruvar. Kontrollera alltid innan användning avseende skada, sprickor eller deformationer, och se till att skruvarna är åtdragna.

⚠ FÖRSIKTIGT: Se till att kroken sitter ordentligt fast med skruvarna.

⚠ FÖRSIKTIGT: Installera eller avlägsna inte något tillbehör medan verktyget är upphängt. Verktyget kan falla om inte skruvarna är åtdragna.

⚠ FÖRSIKTIGT: Använd alltid en låskarbinhake (flerfunktions och skruvtyp) och se till att repet (fästrem) är fäst till delen med dubbla öglor på kroken. Felaktig fästsättning kan leda till att verktyget faller från kroken och leda till personskada.

Kroken används även för anslutning av repet (fästrem). Se till att fästa repet (fästrem) till delen med dubbla öglor på kroken.

► Fig.13: 1. Del med dubbla öglor på kroken 2. Rep (fästrem) 3. Låskarbinhake (flerfunktions och skruvtyp)

ANVÄNDNING

⚠ FÖRSIKTIGT: Skjut alltid in batterikassetten ordentligt tills den låses på plats. Om du kan se den röda indikatorn på knappens ovansida är den inte låst ordentligt. Skjut in den helt tills den röda indikatorn inte syns längre. I annat fall kan batterikassetten plötsligt lossna från maskinen och skada dig eller någon annan.

⚠ FÖRSIKTIGT: När hastigheten sjunker extremt mycket ska du minska belastningen eller stoppa maskinen för att undvika maskinskada.

⚠ FÖRSIKTIGT: Håll ett stadigt tag i maskinen när du arbetar.

Hålla maskinen

⚠ FÖRSIKTIGT: Detta är en kraftfull maskin. Momentet är högt och det är viktigt att hålla maskinen i ett ordentligt och säkert grepp.

Ta tag i handtaget med ena handen och det främre handtaget med den andra handen.

► Fig.14: 1. Främre handtag 2. Handtag

Borning

Borra i trä

Vid boring i trä uppnår du bäst resultat om du använder ett träborr med styrskruv. Styrskraven gör det enklare att borra genom att den drar in borret i arbetsstycket.

Borra i metall

För att borret inte ska halka när du börjar borra kan du göra ett märke med en syl och en hammare i punkten där hålet ska borras. Placera borrets spets i sylhålet och börja borra.

Använd ett smörjmedel vid borring i metall.

Undantagen är järn och mässing som ska borras torrt.

⚠FÖRSIKTIGT: Borrningen går inte fortare för att du trycker hårdare på maskinen. Detta extra tryck skadar bara toppen på ditt borr, sänker maskinens prestanda och förkortar maskinens livslängd.

⚠FÖRSIKTIGT: Håll ett stadigt tag i maskinen och var försiktig när borret börjar tränga igenom arbetsstycket. Det utvecklas en enorm kraft på maskinen/borret vid hålgenomslaget.

⚠FÖRSIKTIGT: Ett borr som fastnat kan enkelt backas ur genom att reversera borrningens rotationsriktning. Maskinen kan dock plötsligt backa ut om du inte håller i den ordentligt.

⚠FÖRSIKTIGT: Fäst alltid arbetsstycken i ett städ eller liknande fasthållningsanordningar.

⚠FÖRSIKTIGT: Undvik att borra i material som du misstänker innehåller dolda spikar eller annat som kan orsaka att borret böjs eller bryts av.

⚠FÖRSIKTIGT: Om verktyget används löpande tills batterikassetten är tom bör verktyget vila 15 minuter innan du fortsätter arbetet med ett laddat batteri.

Anslutning av rep (fästrem)

⚠Särskilda säkerhetsvarningar för användning på hög höjd

Läs igenom alla säkerhetsvarningar och anvisningar. Om varningarna och anvisningarna inte följs kan det leda till allvarliga personskador.

1. Ha alltid maskinen fastbunden när du arbetar på hög höjd. Maxlängd för repet är 2 m (6,5 ft). Maximal tillåten fallhöjd för rep (fästrem) får inte överstiga 2 m (6,5 ft).
2. Används endast med rep som är lämpliga för denna maskintyp och klassade för minst 5,0 kg (11,0 lbs).
3. Fäst inte maskinrepet någonstans på kroppen eller på rörliga komponenter. Förankra maskinrepet i en stabil struktur som klarar kraften i ett fallande verktyg.
4. Se till att repet är ordentligt säkrat i båda ändarna före användning.
5. Inspektera maskinen och repet före varje användning för att kontrollera skador och korrekt funktion (inklusive tyg och sömmar). Använd det inte om det är skadat eller inte fungerar ordentligt.
6. Linda inte rep runt vassa eller grova kanter och låt dem inte komma i kontakt med dessa.
7. Fäst den andra änden på repet utanför arbetsområdet, så att en fallande maskin hålls säkert fast.

8. Fäst repet så att maskinen rör sig bort från operatören om den faller. Maskiner som ramlar gungar i repet, vilket kan orsaka skada eller förlorad balans.
9. Används inte nära rörliga delar eller maskineri som är ingång. Det kan leda till risk för krosskador eller intrassling.
10. Bär inte maskinen i fästnanordningen eller i repet.
11. Flytta över maskinen mellan händerna endast när du har ordentlig balans.
12. Fäst inte rep vid maskinen på ett sådant sätt att skydd, knappar eller spärrar inte fungerar ordentligt.
13. Undvik att bli intrasslad i repet.
14. Håll repet borta från maskinens skärområde.
15. Använd flerfunktionskarbinfästen av skruvportstyp. Använd inte enkelfunktionskarbinfästen med fjäderklämma.
16. Om maskinen tappas måste den märkas ut och tas ur bruk, och inspekteras av en Makita-fabrik eller auktoriserat servicecenter.

UNDERHÅLL

⚠FÖRSIKTIGT: Se alltid till att maskinen är avstängd och batterikassetten borttagen innan inspektion eller underhåll utförs.

OBSERVERA: Använd inte bensin, förtunningsmedel, alkohol eller liknande. Missfärgning, deformation eller sprickor kan uppstå.

För att upprätthålla produktens SÄKERHET och TILLFÖRLITLIGHET bör allt underhålls- och justeringsarbete utföras av ett auktoriserat Makita servicecenter och med reservdelar från Makita.

VALFRIA TILLBEHÖR

⚠FÖRSIKTIGT: Följande tillbehör eller tillsatser rekommenderas för användning med den Makita-maskin som denna bruksanvisning avser. Om andra tillbehör eller tillsatser används kan det uppstå risk för personskador. Använd endast tillbehören eller tillsatserna för de syften de är avsedda för.

Kontakta ditt lokala Makita servicecenter om du behöver ytterligare information om dessa tillbehör.

- Borr
- Makitas originalbatteri och -laddare

OBS: Några av tillbehören i listan kan vara inkluderade i maskinpaketet som standardtillbehör. De kan variera mellan olika länder.

TEKNISKE DATA

| | | | |
|------------------------------------|------|--|--|
| Modell: | | DDA450 | |
| Girhastighet | | Høy | Lav |
| Borekapasitet | Stål | 13 mm | |
| | Tre | Spiralbor: 38 mm Selvførende bit: 50 mm Stikksag: 101 mm | Spiralbor: 38 mm Selvførende bit: 65 mm Stikksag: 127 mm |
| Hastighet uten belastning | | 0 - 1 400 min ⁻¹ | 0 - 450 min ⁻¹ |
| Total lengde (med batteri BL1860B) | | 434 mm | |
| Nominell spenning | | DC 18 V | |
| Nettovekt | | 3,2 - 3,5 kg | |

- På grunn av vårt kontinuerlige forsknings- og utviklingsprogram kan spesifikasjonene som oppgis i dette dokumentet endres uten varsel.
- Spesifikasjonene kan variere fra land til land.
- Vekten kan variere avhengig av tilbehøret/tilbehørene, inkludert batteriet. Den letteste og tyngste kombinasjonen, i henhold til EPTA-prosedyre 01/2014, vises i tabellen.

Passende batteri og lader

| | |
|----------------|--|
| Batteriinnsett | BL1815N / BL1820B / BL1830B / BL1840B / BL1850B / BL1860B |
| Lader | DC18RC / DC18RD / DC18RE / DC18SD / DC18SE / DC18SF / DC18SH |

- Noen av batteriene og laderne som er opplistet ovenfor er kanskje ikke tilgjengelige, avhengig av hvor du bor.

⚠ ADVARSEL: Bruk kun de batteriene og laderne som er opplistet ovenfor. Bruk av andre batterier og ladere kan føre til personskader og/eller brann.

Riktig bruk

Maskinen er beregnet til boring i tre, metall og plast.

Støy

Typisk A-vektet lydtryknivå er bestemt i henhold til EN62841-2-1:

Lydtryknivå (L_{pA}): 83 dB (A)

Lydeffektnivå (L_{WA}): 94 dB (A)

Usikkerhet (K): 3 dB (A)

MERK: Den/de oppgitte verdien(e) for genererte vibrasjoner har blitt målt i henhold til standard testmetoder, og kan bli brukt til å sammenligne ett verktøy med et annet.

MERK: Den/de angitte verdien(e) for de genererte vibrasjonene kan også brukes til en foreløpig vurdering av eksponeringen.

⚠ ADVARSEL: Bruk hørselsvern.

⚠ ADVARSEL: De genererte vibrasjonene ved faktisk bruk av elektroverktøyet kan avvike fra den/de angitte vibrasjonsverdien(e), avhengig av hvordan verktøyet brukes.

⚠ ADVARSEL: Sørg for å identifisere vernetiltak for å beskytte operatøren, som er basert på et estimat av eksponeringen under de faktiske bruksforholdene (idet det tas hensyn til alle deler av driftssyklusen, dvs. hvor lenge verktøyet er slått av, hvor lenge det går på tomgang og hvor lenge startbryteren faktisk holdes trykket).

Vibrasjoner

Den totale vibrasjonsverdien (triaksial vektorsum) bestemt i henhold EN62841-2-1:

Arbeidsmodus: Bore inn i metall

Genererte vibrasjoner ($a_{h,D}$): 2,5 m/s² eller mindre

Usikkerhet (K): 1,5 m/s²

MERK: Den/de oppgitte verdien(e) for totalt genererte vibrasjoner har blitt målt i henhold til standard testmetoder, og kan bli brukt til å sammenligne ett verktøy med et annet.

MERK: Den/de angitte verdien(e) for totalt genererte vibrasjoner kan også brukes til en foreløpig vurdering av eksponeringen.

⚠ ADVARSEL: De genererte vibrasjonene ved faktisk bruk av elektroverktøyet kan avvike fra den/de angitte vibrasjonsverdien(e), avhengig av hvordan verktøyet brukes og spesielt i forhold til arbeidsstykket som blir behandlet.

⚠ ADVARSEL: Sørg for å identifisere vernetiltak for å beskytte operatøren, som er basert på et estimat av eksponeringen under de faktiske bruksforholdene (idet det tas hensyn til alle deler av driftssyklusen, dvs. hvor lenge verktøyet er slått av, hvor lenge det går på tomgang og hvor lenge startbryteren faktisk holdes trykket).

EFs samsvarserklæring

Gjelder kun for land i Europa

EFs samsvarserklæring er lagt til som vedlegg A i denne bruksanvisningen.

SIKKERHETSADVARSEL

Generelle advarsler angående sikkerhet for elektroverktøy

⚠ ADVARSEL: Les alle sikkerhetsadvarsler, instruksjoner, illustrasjoner og spesifikasjoner som følger med dette elektroverktøyet. Hvis ikke alle instruksjonene nedenfor følges, kan det forekomme elektrisk støt, brann og/eller alvorlig skade.

Oppbevar alle advarsler og instruksjoner for senere bruk.

Uttrykket «elektrisk verktøy» i advarslene refererer både til elektriske verktøy (med ledning) tilkoblet strømmenettet, og batteridrevne verktøy (uten ledning).

Sikkerhetsanvisninger for batteridrevet boremaskin

Sikkerhetsanvisninger for all bruk

1. **Bruk hjelpehåndtaket/hjelpehåndtakene.** Tap av kontroll kan føre til personskader.
2. **Hold elektroverktøyet i de isolerte gripeflatene** når skjæretilbehøret kan komme i kontakt med skjulte ledninger under arbeidet. Hvis skjæretilbehøret kommer i kontakt med strømførende ledninger, kan ikke-isolerte metalldele i maskinen bli strømførende og gi brukeren elektrisk støt.
3. **Pass på at du har godt fotfeste.** Forviss deg om at ingen står under deg når du jobber høyt over bakken.
4. **Hold godt fast i verktøyet.**
5. **Hold hendene unna roterende deler.**
6. **Ikke gå fra verktøyet mens det er i gang.** Verktøyet må bare brukes mens operatøren holder det i hendene.
7. **Ikke berør bor eller arbeidsstykke umiddelbart etter bruk.** Disse vil da være ekstremt varme, og du kan få brannskader.
8. **Enkelte materialer inneholder kjemikalier som kan være giftige.** Treff tiltak for å hindre hudkontakt og innånding av støv. Følg leverandørens sikkerhetsanvisninger.
9. **Hvis du ikke klarer å løsne boret selv om du åpner kjevene, drar du det ut ved hjelp av en tang.** Når du drar ut boret for hånd, må du passe på at du ikke skader deg på den skarpe kanten.
10. **Hvis noe er galt med verktøyet, f.eks. unormale lyder, avbryter du bruken umiddelbart og ber nærmeste Makita-servicesenter om å reparere det.**
11. **Før bruk må du kontrollere at det ikke finnes nedgravde gjenstander som elektriske rør, vannrør eller gassrør i bakken.** Ellers kan verktøyet komme i kontakt med dem og føre til elektrisk støt, elektriske lekkasje eller gasslekkasje.

Sikkerhetsanvisninger ved bruk av lange bor

1. **Boret må aldri brukes ved høyere hastighet enn boret maksimale hastighetsklasse.** Ved høyere hastigheter er det sannsynlig at boret bøyer seg hvis det får rotere fritt uten kontakt med arbeidsstykket og derved fører til personskade.
2. **Boring skal alltid startes ved lav hastighet og med borspissen i kontakt med arbeidsstykket.** Ved høyere hastigheter er det sannsynlig at boret bøyer seg hvis det får rotere fritt uten kontakt med arbeidsstykket og derved fører til personskade.
3. **Trykk skal kun påføres i direkte linje med boret, og ikke bruk for mye kraft.** Bor kan bøye seg og knekke eller komme ut av kontroll og derved føre til personskade.

TA VARE PÅ DISSE INSTRUKSENE.

⚠ ADVARSEL: IKKE LA hensynet til hva som er "behagelig" eller det faktum at du kjenner produktet godt (etter mange gangers bruk) gjøre deg mindre oppmerksom på sikkerhetsreglene for bruken av det aktuelle produktet. Ved MISBRUK eller hvis ikke sikkerhetsreglene i denne bruksanvisningen følges, kan det oppstå alvorlig personskade.

Viktige sikkerhetsanvisninger for batteriinnsetts

1. **Før du begynner å bruke batteriet, må du lese alle anvisninger og forsiktighetsregler på (1) batteriladeren, (2) batteriet og (3) det produktet batteriet skal brukes i.**
2. **Ikke demonter eller tukle batteriet.** Det kan føre til brann, overoppheting eller eksplosjon.
3. **Hvis driftstiden er blitt vesentlig kortere, må du omgående slutte å bruke maskinen.** Hvis ikke kan resultatet bli overoppheting, mulige forbrenninger eller til og med en eksplosjon.
4. **Hvis du får elektrolytt i øynene, må du skylle dem med store mengder rennende vann og oppsøke lege med én gang.** Denne typen uhell kan føre til varig blindhet.
5. **Ikke kortslett batteriet:**
 - (1) De kan være ekstremt varme og du kan brenne deg.
 - (2) Ikke lagre batteriet i samme beholder som andre metallgjenstander, som for eksempel spiker, mynter osv.
 - (3) Ikke la batteriet komme i kontakt med vann eller regn.En kortslutning av batteriet kan føre til et kraftig strømstøt, overoppheting, mulige forbrenninger og til og med til at batteriet går i stykker.
6. **Ikke oppbevar og bruk verktøyet og batteriet på steder hvor temperaturen kan komme opp i eller overskride 50 °C.**
7. **Ikke sett fyr på batteriet, ikke engang om det er sterkt skadet eller helt utslitt.** Batteriet kan eksplodere hvis det begynner å brenne.
8. **Du må ikke spikre, skjære, klemme, kaste eller miste batteriet, og heller ikke slå en hard gjenstand mot batteriet.** En slik oppførsel kan føre til brann, overoppheting eller eksplosjon.

9. Ikke bruk batterier som er skadet.
10. Lithium-ion-batteriene som medfølger er **gjensatt for krav om spesialavfall**. For kommersiell transport, f.eks. av tredjeparter eller spedjører, må spesielle krav om pakking og merking følges. Før varen blir sendt, må du forhøre deg med en ekspert på farlig materiale. Ta også hensyn til muligheten for mer detaljerte nasjonale bestemmelser. Bruk teip eller maskeringsteip for å skjule åpne kontakter og pakk inn batteriet på en slik måte at den ikke kan bevege seg rundt i emballasjen.
11. Når du kasserer batteriinnsetningen, må du ta den ut av verktøyet og avhende den på et sikkert sted. Følg lokale bestemmelser for avhengig av batterier.
12. Bruk batteriene kun med produkter spesifisert av Makita. Monterer batteriene i produkter som ikke er konforme kan føre til brann, overheting eller elektrolyttlekkasje.
13. Hvis verktøyet ikke skal brukes over en lengre periode, må batteriet tas ut av verktøyet.
14. Under og etter bruk kan batteriet bli varmt og føre til brannskader. Vær forsiktig med håndteringen av varme batterier.
15. Ikke berører terminalen på verktøyet rett etter bruk, da den kan bli varm og forårsake brannskader.
16. Ikke la spon, støv eller jord sette seg fast i terminalene, hullene og sporene i batteriet. Det kan føre til dårlig ytelse eller at verktøyet eller batteriet slutter å fungere.
17. Med mindre verktøyet støtter bruk nær en høyspent strømlinje, skal ikke batteriet brukes nær en høyspent strømlinje. Det kan føre til en funksjonsfeil eller at verktøyet eller batteriet slutter å fungere.
18. Oppbevar batteriet utilgjengelig for barn.

TA VARE PÅ DISSE INSTRUKSENE.

⚠FORSIKTIG: Bruk kun originale Makita-batterier. Bruk av batterier som har endret seg, eller som ikke er originale Makita-batterier, kan føre til at batteriet sprekker og forårsaker brann, personskader og andre skader. Det vil også ugyldiggjøre garantien for Makita-verktøyet og -laderen.

Tips for å opprettholde maksimal batterilevetid

1. Lad batteriinnsetningen før den er helt utladet. Stopp alltid driften av verktøyet og lad batteriinnsetningen når du merker at effekten reduseres.
2. Lad aldri en batteriinnsetning som er fulladet. Overopplading forkorter batteriets levetid.
3. Lad batteriet i romtemperatur ved 10 °C - 40 °C. Et varmt batteri må kjøles ned før lading.
4. Når batteriet ikke er i bruk, skal det tas ut av verktøyet eller laderen.
5. Lad batteriet hvis det ikke har vært brukt på en lang stund (over seks måneder).

FUNKSJONS BESKRIVELSE

⚠FORSIKTIG: Forviss deg alltid om at maskinen er slått av og batteriet tatt ut før du justerer maskinen eller kontrollerer dens mekaniske funksjoner.

Sette inn eller ta ut batteri

⚠FORSIKTIG: Slå alltid av verktøyet før du setter inn eller fjerner batteriet.

⚠FORSIKTIG: Hold verktøyet og batteripatronen i et fast grep når du monterer eller fjerner batteripatronen. Hvis du ikke holder verktøyet og batteripatronen godt fast, kan du miste grepet, og dette kan føre til skader på verktøyet og batteripatronen samt personskader.

► Fig.1: 1. Rød indikator 2. Knapp 3. Batteriinnsett

For å ta ut batteriet må du skyve på knappen foran på batteriet og trekke det ut.

Når du skal sette inn batteriet, må du plassere tungen på batteriet på linje med sporet i huset og skyve batteriet på plass. Skyv det helt inn til det går i inngrep med et lite klikk. Hvis du kan se den røde indikatoren på oversiden av knappen, er det ikke fullstendig låst.

⚠FORSIKTIG: Batteriet må alltid settes helt inn, så langt at den røde indikatoren ikke lenger er synlig. Hvis dette ikke gjøres, kan batteriet falle ut av verktøyet og skade deg eller andre som oppholder seg i nærheten.

⚠FORSIKTIG: Ikke bruk makt når du setter i batteriet. Hvis batteriet ikke glir lett inn, er det fordi det ikke settes inn på riktig måte.

Indikere gjenværende batterikapasitet

Kun for batterier med indikatoren

► Fig.2: 1. Indikatorlamper 2. Kontrollknapp

Trykk på sjekk-knappen på batteriet for vise gjenværende batterikapasitet. Indikatorlampene lyser i et par sekunder.

| Indikatorlamper | | | Gjenværende batterinivå |
|-----------------|----|--------|---------------------------|
| Tent | Av | Bliker | |
| ■ | □ | ◐ | 75 % til 100 % |
| ■ | ■ | □ | 50 % til 75 % |
| ■ | □ | □ | 25 % til 50 % |
| ■ | □ | □ | 0 % til 25 % |
| ◐ | □ | □ | Lad batteriet. |
| ■ | ■ | □ | Batteriet kan ha en feil. |
| □ | □ | ■ | |

MERK: Det angitte nivået kan avvike noe fra den faktiske kapasiteten alt etter bruksforholdene og den omgivende temperaturen.

MERK: Den første (helt til venstre) indikatorlampen vil blinke når batterivernsystemet fungerer.

Batterivernsystem for verktøy/batteri

Verktøyet er utstyrt med et batterivernsystem for verktøy/batteri. Dette systemet kutter automatisk strømmen til motoren for å forlenge verktøyets og batteriets levetid. Verktøyet stopper automatisk under drift hvis verktøyet eller batteriet utsettes for en av følgende tilstander:

Overlastsikring

Når verktøyet/batteriet brukes på en måte som gjør at det trekker unormalt mye strøm, vil verktøyet stanse automatisk. Hvis dette skjer, må du slå av verktøyet og avslutte bruken som forårsaket at verktøyet ble overbelastet. Slå deretter verktøyet på for å starte det igjen.

Overopphetingsvern

Når verktøyet/batteriet er overopphetet, stanser verktøyet automatisk, og lampen vil blinke. Hvis dette skjer, må du la verktøyet kjøle seg ned før du slår på verktøyet igjen.

Overutladningsvern

Når det blir batterikapasiteten er utilstrekkelig, stopper verktøyet automatisk. I så fall fjerner du batteriet fra verktøyet og lader det.

Bryterfunksjon

⚠FORSIKTIG: Før du setter batteriet inn i maskinen, må du alltid kontrollere at startbryteren aktiverer maskinen på riktig måte og går tilbake til «AV»-stilling når den slippes.

► Fig.3: 1. Startbryter

Dra i startbryteren for å starte verktøyet. Når du trykker hardere på startbryteren, økes hastigheten på verktøyet. Slipp startbryteren for å stanse verktøyet.

MERK: Verktøyet stopper automatisk hvis du holder inne startbryteren i mer enn 6 minutter.

Tenne frontlampen

⚠FORSIKTIG: Ikke se inn i lyset eller se direkte på lyskilden.

► Fig.4: 1. Lampe

Trykk inn startbryteren for å tenne lampen. Lampen fortsetter å lyse så lenge startbryteren holdes inne. Lampen slukkes omtrent 10 sekunder etter at startbryteren er sluppet.

MERK: Når verktøyet er overopphetet, stanser det automatisk, og lampen begynner å blinke. I dette tilfellet, utløs startbryteren. Lampen slukkes om 1 minutt(er).

MERK: Bruk en tørr klut til å tørke støv osv. av lampelinsen. Vær forsiktig så det ikke blir riper i lampelinsen, da dette kan redusere lysstyrken.

Reverseringsfunksjon

⚠FORSIKTIG: Før arbeidet begynner, må du alltid kontrollere rotasjonsretningen.

⚠FORSIKTIG: Bruk reversbryteren bare etter at verktøyet har stoppet helt. Hvis du endrer rotasjonsretningen før verktøyet har stoppet, kan det bli ødelagt.

⚠FORSIKTIG: Når du ikke skal bruke maskinen lenger, må du alltid sette reversbryteren i nøytral stilling.

Dette verktøyet har en reversbryter som kan brukes til å endre rotasjonsretningen. Trykk inn reversbryteren fra «A»-siden for å velge rotasjon med klokken, eller fra «B»-siden for å velge rotasjon mot klokken.

Når reverseringsspaken er i nøytral stilling, er det ikke mulig å trekke i bryterspaken.

► Fig.5: 1. Reverseringsspak

Hastighetsendring

OBS: Bruk turtallsvelgeren bare etter at verktøyet har stoppet helt. Hvis du endrer turtall på maskinen før den har stoppet, kan du ødelegge den.

OBS: Hastighetsknappen må alltid settes forsiktig i riktig stilling. Hvis du bruker maskinen med hastighetsknappen innstilt på et punkt midt mellom posisjon 1 og 2, kan maskinen bli skadet.

OBS: Hvis rotasjonshastigheten reduseres betydelig under drift mens maskinen går med høy hastighet, stans verktøyet og skift modusen til lav hastighet. Ellers kan motoren bli overbelastet og forårsake en feifunksjon eller brann.

Med hastighetsknappen kan du velge to hastighetsområder på forhånd.

For å endre hastigheten, må du dreie hastighetsvelgeren slik at pilen peker mot posisjon 1 for lav hastighet og posisjon 2 for høy hastighet.

► Fig.6: 1. Peger 2. Knapp for hastighetsvalg

Elektronisk funksjon

Elektrisk brems

Dette verktøyet er utstyrt med elektrisk brems. Hvis verktøyet ikke slutter å virke når startbryteren slippes, må du få gjennomført service ved et Makita servicesenter.

Mykstartfunksjon

Denne funksjonen begrenser oppstartsdreiemomentet slik at verktøypopstarten går smidig.

MONTERING

⚠FORSIKTIG: Forviss deg alltid om at maskinen er slått av og batteriet tatt ut før du utfører noe arbeid på maskinen.

Montere støttehåndtak (hjelpéhåndtak)

⚠FORSIKTIG: Forviss deg alltid om at støttehåndtaket er skikkelig montert før du tar maskinen i bruk.

Skru støttehåndtaket fast på maskinen. Støttehåndtaket kan monteres på den ene eller andre siden av verktøyet, ettersom hva som er mest praktisk.

► **Fig.7:** 1. Støttehåndtak

Installere nøkkelholder

(landsspesifikk)

⚠FORSIKTIG: Forsikre deg om at nøkkelholderen er skikkelig montert før maskinen brukes.

Skru nøkkelholderen godt fast på verktøyet. Sett kjoksnøkkelen inn i stilling.

► **Fig.8:** 1. Nøkkelholder 2. Skruer 3. Kjoksnøkkel

Montere eller fjerne boret

Monter boret ved å sette det så langt inn i kjoksen som mulig. Stram kjoksen for hånd. Sett kjoksnøkkelen inn i hvert av de tre hullene etter tur, og trekk til ved å dreie med klokken. Sørg for at alle de tre kjokshellene trekkes jevnt til.

Du kan fjerne boret ved å vri kjoksnøkkelen mot klokken i ett av hullene og deretter løsne kjoksen for hånd.

► **Fig.9:** 1. Kjoksnøkkel

Etter bruk må du plassere kjoksnøkkelen i nøkkelholderen på verktøyet igjen, som vist på illustrasjonen.

► **Fig.10:** 1. Nøkkelholder

Krok

⚠FORSIKTIG: Ta alltid ut batteriet når verktøyet henges opp på kroken.

⚠FORSIKTIG: Verktøyet må aldri henges på kroken høyt over bakken eller på en potensielt ustabil overflate.

Kroken er praktisk å henge verktøyet på over kortere tid.

Når du skal bruke kroken, trenger du bare løfte den opp til den åpner seg. Når kroken ikke skal brukes på en stund, må du alltid senke den så den lukker seg.

► **Fig.11:** 1. Bøyle

► **Fig.12**

Påsetting av fangsnor (sikkerhetsstropp) på kroken

⚠FORSIKTIG: Ikke bruk krok eller skruer som er skadet. Før bruk må du alltid kontrollere at det ikke er skader, sprekker eller deformasjoner og at skruene er strammet.

⚠FORSIKTIG: Kontroller at kroken er festet godt med skruene.

⚠FORSIKTIG: Ikke monter eller ta noe tilbehør av verktøyet mens det henger. Verktøyet kan falle ned hvis skruene ikke er strammet.

⚠FORSIKTIG: Bruk alltid en låsende karabinkrok (fleraksjons karabinkrok med skrulås), og sørg for å feste fangsnoren (sikkerhetsstroppen) til delen av kroken med dobbelt løkke. Hvis du fester utstyret feil, kan det føre til at verktøyet faller ned fra kroken og forårsaker personskade.

Kroken brukes også for tilkobling av fangsnoren (sikkerhetsstroppen). Sørg for å feste fangsnoren (sikkerhetsstroppen) til delen av kroken med dobbelt løkke.

► **Fig.13:** 1. Del av kroken med dobbelt løkke
2. Fangsnor (sikkerhetsstropp) 3. Låsende karabinkrok (fleraksjons karabinkrok med skrulås)

BRUK

⚠FORSIKTIG: Batteriet må alltid settes helt inn, til det låses på plass. Hvis du kan se den røde anviseren på oversiden av knappen, er det ikke fullstendig låst. Sett batteriet helt inn, så langt at den røde anviseren ikke lenger er synlig. Hvis dette ikke gjøres, kan batteriet falle ut av maskinen og skade deg eller andre som oppholder seg i nærheten.

⚠FORSIKTIG: Når hastigheten reduseres kraftig, må du redusere belastningen på verktøyet eller stoppe det for å unngå skade på verktøyet.

⚠FORSIKTIG: Hold verktøyet i et fast grep når du bruker det.

Holde verktøyet

⚠FORSIKTIG: Dette er en kraftig maskin. Den utvikler stort moment og det er viktig at maskinen holdes og støttes godt.

Ta tak i håndtaket med en hånd og fronthåndtaket med den andre hånden.

► **Fig.14:** 1. Håndtak foran 2. Håndtak

Borfunksjon

Bore i tre

Når du borer i tre, blir resultatene best med trebor som er utstyrt med en ledeskrue. Ledeskruen forenkler boringen ved at den trekker skrutrekkerboret inn i arbeidsstykket.

Bore i metall

For at ikke skrutrekkerboret skal gli når du begynner å bore, må du lage en fordypning med en dor og en hammer der hullet skal bores. Sett spissen av skrutrekkerboret i fordypningen og begynn å bore. Bruk en skjærevæske når du borer i metall. Unntakene er jern og messing som skal bores tørt.

⚠FORSIKTIG: Hvis du bruker for mye kraft på verktøyet, vil det ikke øke borehastigheten. Overdreven bruk av kraft vil tvert imot kunne bidra til å ødelegge spissen av skrutrekkerboret, redusere verktøyeffekten og forkorte verktøyet levetid.

⚠FORSIKTIG: Hold verktøyet i et fast grep, og vær forsiktig når skrutrekkerboret begynner å bryte gjennom arbeidsstykket. I gjennombruddsøyeblikket virker det en enorm kraft på verktøyet/skrutrekkerboret.

⚠FORSIKTIG: Et skrutrekkerbor som sitter fast kan fjernes hvis du setter reversbryteren til motsatt rotasjonsretning, så verktøyet kan bakke ut. Verktøyet kan imidlertid komme brått ut hvis du ikke holder det i et fast grep.

⚠FORSIKTIG: Arbeidsstykker må alltid festes med en skrustikke eller en liknende festeanordning.

⚠FORSIKTIG: Unngå å bore i materialer du tror kan inneholde skjulte spikere eller andre ting som kan som kan få boret til å sette seg fast eller brekke.

⚠FORSIKTIG: Hvis verktøyet brukes kontinuerlig inntil batteriinnsetningen er utladet, må du la verktøyet hvile i 15 minutter før du fortsetter med et nytt batteri.

Fangsnor (sikkerhetsstropp)

⚠Spesielle sikkerhetsadvarsler for bruk i høyden
Les alle sikkerhetsadvarslene og instruksjonene. Hvis advarsler og instruksjoner ikke følges, kan det føre til alvorlig personskade.

1. **Fest alltid verktøyet i en sikkerhetsstropp når du arbeider "i høyden".** Maksimal fangsnorlengde er 2 m (6,5 fot).
Maksimal tillatt fallhøyde for fangsnor (sikkerhetsstropp) må ikke overskride 2 m (6,5 ft).
2. **Bare bruk fangsnorer som er tilpasset denne typen verktøy og som er merket for 5,0 kg (11,0 lbs).**
3. **Fangsnoren for verktøyet må ikke forankres til noe på kroppen din eller til bevegelige komponenter.** Fangsnoren for verktøyet må forankres til en stiv konstruksjon som kan motstå krefte hvis verktøyet faller ned.
4. **Pass på at fangsnoren er skikkelig sikret i begge ender før bruken.**
5. **Kontroller at fangsnoren for verktøyet ikke er skadd og fungerer riktig før hver bruk (inkludert stoff og sømmer).** Ikke bruk den hvis den er skadd eller ikke fungerer som den skal.
6. **Ikke surr fangsnor rundt, eller la dem komme i kontakt med, skarpe kanter.**
7. **Fest den andre enden av fangsnoren utenfor arbeidsområdet slik at verktøyet holdes sikkert hvis det faller ned.**

8. **Fest fangsnoren slik at verktøyet vil bevege seg bort fra brukeren hvis det faller ned.** Verktøy som faller ned vil svinge i fangsnoren, og kan føre til personskader eller til at du mister balansen.
9. **Ikke bruk den nær bevegelige deler eller maskiner som er i gang.** Hvis du gjør det, kan det føre til en innklemming eller at den vikler seg fast.
10. **Ikke bær verktøyet i festeinnretningen eller fangsnoren.**
11. **Du må kun overføre verktøyet fra én hånd til den andre hvis du er i god balanse.**
12. **Ikke fest fangsnoren til verktøyet på en måte som kan hindre vern, brytere eller AV-sperrer fra å virke som de skal.**
13. **Unngå å vikle deg inn i fangsnoren.**
14. **Hold fangsnoren unna verktøyet skjærområde.**
15. **Bruk fleraksjons karabinkroker med skrulås.** Ikke bruk enkelaksjons karabinkrok med fjærlukking.
16. **Hvis verktøyet skulle falle ned, må det merkes og tas ut av bruk, og det bør kontrolleres av en Makita-fabrikk eller et autorisert servicesenter.**

VEDLIKEHOLD

⚠FORSIKTIG: Forviss deg alltid om at maskinen er slått av og batteriet tatt ut før du foretar inspeksjon eller vedlikehold.

OBS: Aldri bruk gasolin, bensin, tynner alkohol eller lignende. Det kan føre til misfarging, deformering eller sprekke dannelse.

For å opprettholde produktets SIKKERHET og PÅLITELIGHET, må reparasjoner, vedlikehold og justeringer utføres av autoriserte Makita servicesentre eller fabrikk servicesentre, og det må alltid brukes reservedeler fra Makita.

VALGFRITT TILBEHØR

⚠FORSIKTIG: Det anbefales at du bruker dette tilbehøret eller verktøyet sammen med den Makita-maskinen som er spesifisert i denne håndboken. Bruk av annet tilbehør eller verktøy kan forårsake personskader. Tilbehør og verktøy må kun brukes til det formålet det er beregnet på.

Ta kontakt med ditt lokale Makita-servicesenter hvis du trenger mer informasjon om dette tilbehøret.

- Bor
- Makita originalbatteri og lader

MERK: Enkelte elementer i listen kan være inkludert som standardtilbehør i verktøypakken. Elementene kan variere fra land til land.

TEKNISET TIEDOT

| | | | |
|---|-------|--|--|
| Malli: | | DDA450 | |
| Toimintanopeus | | Korkea | Alhainen |
| Porauskapasiteetti | Teräs | 13 mm | |
| | Puu | Poranterä: 38 mm Itsesyöttävä terä: 50 mm Reikäsahterä: 101 mm | Poranterä: 38 mm Itsesyöttävä terä: 65 mm Reikäsahterä: 127 mm |
| Kuormittamaton kierrosnopeus | | 0 - 1 400 min ⁻¹ | 0–450 min ⁻¹ |
| Kokonaispituus (akkupaketin BL1860B kanssa) | | 434 mm | |
| Nimellisjännite | | 18 V DC | |
| Nettopaino | | 3,2–3,5 kg | |

- Jatkuvasta tutkimus- ja kehitystyöstämme johtuen esitetyt tekniset tiedot saattavat muuttua ilman erillistä ilmoitusta.
- Tekniset tiedot voivat vaihdella maittain.
- Paino voi olla erilainen lisävarusteista sekä akusta johtuen. EPTA-menetellytavan 01/2014 mukaisesti, taulukossa on kuvattu kevyin ja painavin laiteyhdistelmä.

Käytettävä akkupaketti ja laturi

| | |
|-------------|--|
| Akkupaketti | BL1815N / BL1820B / BL1830B / BL1840B / BL1850B / BL1860B |
| Laturi | DC18RC / DC18RD / DC18RE / DC18SD / DC18SE / DC18SF / DC18SH |

- Tiettyjä yläpuolella kuvattuja akkuja ja latureita ei ehkä ole saatavana asuinalueestasi johtuen.

VAROITUS: Käytä vain edellä eriteltyjä akkupaketteja ja latureita. Muiden akkupakettien ja laturien käyttäminen voi aiheuttaa loukkaantumisen ja/tai tulipalon.

Käyttötarkoitus

Laite on tarkoitettu puun, metallin ja muovin poraamiseen.

Melutaso

Tyypillinen A-painotettu melutaso määräytyy standardin EN62841-2-1 mukaan:

Äänenpainetaso (L_{PA}): 83 dB (A)

Äänen voiman taso (L_{WA}): 94 dB (A)

Virhemarginaali (K): 3 dB (A)

HUOMAA: Ilmoitetut melutasoarvot on mitattu standarditestausten menetelmän mukaisesti ja niiden avulla voidaan vertailla työkaluja keskenään.

HUOMAA: Ilmoitettuja melutasoarvoja voidaan käyttää myös altistumisen alustavaan arviointiin.

VAROITUS: Käytä kuulosuojaimia.

VAROITUS: Sähkötyökalun käytön aikana mitattu melutasoarvo voi poiketa ilmoitetuista arvoista laitteen käyttötavan ja erityisesti käsiteltävän työkalupalleen mukaan.

VAROITUS: Selvitä käyttäjän suojaamiseksi tarvittavat varoimet todellisissa käyttöolosuhteissa tapahtuvan arvioidun altistumisen mukaisesti (ottaen huomioon käyttöjakso kokonaisuudessaan, myös jaksot, joiden aikana laite on sammutettuna tai käy tyhjäkäynnillä).

Tärinä

Kokonaistärinä (kolmen akselin vektorien summa) määräytyy standardin EN62841-2-1 mukaan:

Työtila: metalliin poraus

Tärinäpäästö ($a_{h,v}$): 2,5 m/s² tai alhaisempi

Virhemarginaali (K): 1,5 m/s²

HUOMAA: Ilmoitetut kokonaistärinäarvot on mitattu standarditestausten menetelmän mukaisesti ja niiden avulla voidaan vertailla työkaluja keskenään.

HUOMAA: Ilmoitettuja kokonaistärinäarvoja voidaan käyttää myös altistumisen alustavaan arviointiin.

VAROITUS: Sähkötyökalun käytön aikana mitattu todellinen tärinäpäästöarvo voi poiketa ilmoitetuista arvoista laitteen käyttötavan ja erityisesti käsiteltävän työkalupalleen mukaan.

VAROITUS: Selvitä käyttäjän suojaamiseksi tarvittavat varoimet todellisissa käyttöolosuhteissa tapahtuvan arvioidun altistumisen mukaisesti (ottaen huomioon käyttöjakso kokonaisuudessaan, myös jaksot, joiden aikana laite on sammutettuna tai käy tyhjäkäynnillä).

EY-vaatimustenmukaisuusvakuutus

Koskee vain Euroopan maita

EY-vaatimustenmukaisuusvakuutus on liitetty tähän käyttöoppaaseen.

TURVAVAROITUKSET

Sähkötyökalujen käyttöä koskevat yleiset varoitukset

VAROITUS: Tutustu kaikkiin tämän sähkötyökalun mukana toimitettuihin varoituksiin, ohjeisiin, kuviin ja teknisiin tietoihin. Seuraavassa lueteltujen ohjeiden noudattamatta jättäminen saattaa johtaa sähköiskuun, tulipaloon tai vakavaan vammautumiseen.

Säilytä varoitukset ja ohjeet tulevaa käyttöä varten.

Varoituksissa käytettävällä termillä "sähkötyökalu" tarkoitetaan joko verkkovirtaa käyttävää (johdollista) työkalua tai akkukäyttöistä (johdotonta) työkalua.

Akkuporakonetta koskevat turvallisuusohjeet

Kaikkea käyttöä koskevat turvallisuusohjeet

- Käytä apukahvaa.** Hallinnan menetys voi aiheuttaa henkilövahinkoja.
- Kun suoritat toimenpidettä, jossa leikkuuväline voi joutua kosketukseen piilossa olevien johtojen kanssa, pidä sähkötyökalusta kiinni sen eristettyjen otepintojen kohdalla.** Jos leikkuuväline joutuu kosketukseen jännitteellisen johdon kanssa, jännite voi siirtyä sähkötyökalun sähköä johtaviin metalliosiin ja aiheuttaa käyttäjälle sähköiskun.
- Seiso aina tukevassa asennossa.** Varmista korkealla työskennellessäsi, että ketään ei ole alapuolella.
- Ota koneesta luja ote.**
- Pidä kädet loitolla pyöristävistä osista.**
- Älä jätä konetta käymään itseksensä.** Käytä laitetta vain silloin, kun pidät sitä kädessä.
- Älä kosketa terää tai työkalupäätä välittömästi käytön jälkeen, sillä ne voivat olla erittäin kuumia ja aiheuttaa palovammoja.**
- Jotkin materiaalit sisältävät kemikaaleja, jotka voivat olla myrkyllisiä.** Huolehdi siitä, että pölyn sisäänhengittäminen ja ihokosketus estetään. Noudata materiaalin toimittajan turvaohjeita.
- Jos poranterää ei voi irrottaa vaikka avaisit leuat, käytä pihtejä sen ulosvetämiseen.** Tässä tapauksessa poranterän ulosvetäminen käsin voi aiheuttaa tapaturmia sen terävästä reunasta johtuen.
- Jos työkalussa ilmenee ongelmia, kuten epänormaaleja käyntiääniä, lopeta sen käyttö välittömästi ja korjauta se paikallisessa Makita-huoltoliikkeessä.**
- Varmista ennen käyttöä, ettei maaperässä ole mitään upotuksia, kuten sähköjohtoja, vesiputkia tai kaasuputkia.** Muutoin työkalu voi koskettaa niitä, mikä voi johtaa sähköiskuun, sähkövuotoon tai kaasuvuotoon.

Pitkien poranterien käyttöä koskevat turvallisuusohjeet

- Älä koskaan käytä työkalua poranterän enimmäisnopeutta suuremmalla nopeudella.** Suuremmilla nopeuksilla terä voi taipua, jos se pääsee pyörimään vapaasti ilman kosketusta työkaluleeseen, ja tämä voi johtaa henkilövammoihin.
- Aloita poraaminen aina hiljaisella nopeudella ja niin, että poranterä on kiinni työkalupäädessä.** Suuremmilla nopeuksilla terä voi taipua, jos se pääsee pyörimään vapaasti ilman kosketusta työkaluleeseen, ja tämä voi johtaa henkilövammoihin.
- Paina poranterää vain sen suuntaisesti.** Älä paina poranterää liian suurella voimalla. Poranterät voivat taipua ja murtua tai voit menettää työkalun hallinnan, mikä voi johtaa henkilövammoihin.

SÄILYTÄ NÄMÄ OHJEET.

VAROITUS: ÄLÄ anna työkalun helppokäyttöisyyden (toistuvan käytön aikaansaama) johtaa sinua väärrään turvallisuuden tunteeseen niin, että laiminlyöt työkalun turvaohjeiden noudattamisen. **VÄÄRINKÄYTTÖ** tai tässä käyttöohjeessa ilmoitettujen turvamääräysten laiminlyönti voi aiheuttaa vakavia henkilövahinkoja.

Akkupakettia koskevia tärkeitä turvaohjeita

- Ennen akun käyttöönottoa tutustu kaikkiin laturissa (1), akussa (2) ja akkukäyttöisessä tuotteessa (3) oleviin varoitusteksteihin.**
- Älä pura tai peukaloi imuria akkupakettia.** Se voi johtaa tulipaloon, ylikuumenemiseen tai räjähdykseen.
- Jos akun toiminta-aika lyhenee merkittävästi, lopeta akun käyttö.** Seurauksena voi olla ylikuumeneminen, palovammoja tai jopa räjähdys.
- Jos akkunestettä pääsee silmiin, huuhtele puhtaalla vedellä ja hakeudu välittömästi lääkärin hoitoon.** Akkuneste voi aiheuttaa näön menetyksen.
- Älä oikosulje akku.**
 - Älä koske akun napoihin millään sähköä johtavalla materiaalilla.**
 - Vältä akun oikosulkemista äläkä säilytä akku yhdessä muiden metalliesineiden, kuten naulojen, kolikoiden ja niin edelleen kanssa.**
 - Älä aseta akku alttiiksi vedelle tai sateelle.****Oikosulku voi aiheuttaa virtapiikin, ylikuumenemista, palovammoja tai laitteen rikkoontumisen.**
- Älä säilytä ja käytä työkalua ja akkupakettia paikassa, jossa lämpötila voi nousta 50 °C:een (122 °F) tai korkeammaksi.**
- Älä hävitä akku polttamalla, vaikka se olisi pahoin vaurioitunut tai täysin loppuun kulunut.** Avotuli voi aiheuttaa akun räjähtämisen.
- Älä naulaa, leikkaa, purista, heitä tai pudota akkupakettia tai iske sitä kovia esineitä vasten.** Tällaiset toimet voivat johtaa tulipaloon, ylikuumenemiseen tai räjähdykseen.

9. **Älä käytä viallista akkua.**
10. **Sisältyviä litium-ioni-akkuja koskevat vaarallisten aineiden lainsäädännön vaatimukset.**
Esimerkiksi kolmansien osapuolten huolintaliik-
keiden tulee kaupallisissa kuljetuksissa noudattaa
pakkaamista ja merkintöjä koskevia erityisvaati-
muksia.
Lähetettävän tuotteen valmistelu edellyttää vaaral-
listen aineiden asiantuntijan neuvontaa. Huomioi
myös mahdollisesti yksityiskohtaisemmat kansalli-
set määräykset
Akun avoimet liittimet tulee suojata teipillä tai
suojuksella ja pakkaaminen tulee tehdä niin, ettei
akku voi liikkua pakkauksessa.
11. **Kun akkupaketti on hävitettävä, poista se laitteesta ja hävitä se turvallisesti. Hävitä akku paikallisten määräysten mukaisesti.**
12. **Käytä akkuja vain Makitan ilmoittamien tuotteiden kanssa.** Akkujen asentaminen yhteensopimattomiin tuotteisiin voi aiheuttaa tulipalon, liiallisen ylikuumentumisen, räjähdyksen tai akkunestevuotoja.
13. **Jos laitetta ei käytetä pitkään aikaan, akku on poistettava laitteesta.**
14. **Akkupaketin lämpötila voi käytön aikana ja sen jälkeen nousta niin kuumaksi, että se voi aiheuttaa palovammoja tai lieviä palovammoja. Käsittele kuumia akkupaketteja huolellisesti.**
15. **Älä kosketa työkalun liittintä välittömästi käytön jälkeen, sillä se voi olla riittävän kuuma aiheuttamaan palovammoja.**
16. **Älä päästä lastuja, pölyä tai maata akkupaketin liittimiin, aukkoihin ja uriin.** Se voi heikentää työkalun tai akkupaketin suorituskykyä tai johtaa niiden rikkoutumiseen.
17. **Ellei työkalu tue käyttöä korkeajännitelinjojen lähellä, älä käytä akkupakettia korkeajännitelinjojen lähellä.** Se voi johtaa työkalun tai akkupaketin toimintahäiriöön tai rikkoutumiseen.
18. **Pidä akku poissa lasten ulottuvilta.**

SÄILYTÄ NÄMÄ OHJEET.

⚠HUOMIO: Käytä vain alkuperäisiä Makita-akkuja. Muiden kuin aitojen Makita-akkujen, tai mahdollisesti muutettujen akkujen käyttö voi johtaa akun murtumiseen ja aiheuttaa tulipaloja, henkilö- ja omaisuusvahinkoja. Se mitätöi myös Makita-työkalun ja -laturin Makita-takuun.

Vihjeitä akun käyttöiän pidentämiseksi

- Lataa akku ennen kuin se purkautuu täysin. Lopeta aina työkalun käyttö ja lataa akku, jos huomaat työkalun tehon vähenevän.
- Älä koskaan lataa uudestaan täysin ladattua akkua. Yliilataaminen lyhentää akun käyttöikä.
- Lataa akku huoneen lämpötilassa välillä 10 °C - 40 °C. Anna kuuman akun jäähtyä ennen lataamista.
- Irrota akkupaketti työkalusta tai laturista, kun sitä ei käytetä.
- Lataa akkupaketti, jos et käytä sitä pitkään aikaan (yli kuusi kuukautta).

TOIMINTOJEN KUVAUS

⚠HUOMIO: Varmista aina ennen säätöjä ja tarkastuksia, että työkalu on sammutettu ja akkupaketti irrotettu.

Akun asentaminen tai irrottaminen

⚠HUOMIO: Sammuta työkalu aina ennen akun kiinnittämistä tai irrottamista.

⚠HUOMIO: Pidä työkalusta ja akusta tiukasti kiinni, kun irrotat tai kiinnität akkua. Jos akkupaketti tai työkalu putoaa, ne voivat vaurioitua tai aiheuttaa tapaturman.

- **Kuva1:** 1. Punainen ilmaisin 2. Painike 3. Akkupaketti

Irrota akku painamalla akun etupuolella olevaa painiketta ja vetämällä akku ulos työkalusta.

Akkupaketti asennetaan paikalleen sovittamalla akkupaketin kieleke rungon uraan ja työntämällä se sitten paikoilleen. Työnnä akkupaketti pohjaan asti niin, että kuulet sen napsahavan paikoilleen. Jos painikkeen yläpuolella näkyy punainen ilmaisin, akkupaketti ei ole lukkiutunut täysin paikoilleen.

⚠HUOMIO: Työnnä akkupaketti aina pohjaan asti, niin että punainen ilmaisin ei enää näy. Jos akkupaketti ei ole kunnolla paikallaan, se voi pudota työkalusta ja aiheuttaa vammoja joko sinulle tai sivullisille.

⚠HUOMIO: Älä käytä voimaa akun asennuksessa. Jos akku ei liu'u paikalleen helposti, se on väärässä asennossa.

Akun jäljellä olevan varaustason ilmaisim

Vain akkupaketeille ilmaisimella

- **Kuva2:** 1. Merkkivalot 2. Tarkistuspainike

Painamalla tarkistuspainiketta saat näkyviin akun jäljellä olevan varausten. Merkkivalot palavat muutaman sekunnin ajan.

| Merkkivalot | | | Akussa jäljellä olevan varaus |
|-------------|-------------|---------|--|
| Palaa | Pois päältä | Viikkuu | |
| ■ ■ ■ ■ | □ | ▤ | 75% - 100% |
| ■ ■ ■ □ | □ | □ | 50% - 75% |
| ■ ■ □ □ | □ | □ | 25% - 50% |
| ■ □ □ □ | □ | □ | 0% - 25% |
| ▤ □ □ □ | □ | □ | Lataa akku. |
| ■ ■ □ □ | □ | □ | Akussa on saattanut olla toimintahäiriö. |
| □ □ ■ ■ | □ | □ | |

HUOMAA: Ilmoitettu varaustaso voi erota hieman todellisesta varaustasosta sen mukaan, millaisissa oloissa ja missä lämpötilassa laitetta käytetään.

HUOMAA: Ensimmäinen (vasemmanpuoleisin) merkkivalo vilkkuu, kun akun suojausjärjestelmä on toiminnassa.

Työkalun/akun suojausjärjestelmä

Työkalu on varustettu työkalu/akun suojausjärjestelmällä. Tämä järjestelmä pidentää työkalun ja akun käyttöikää katkaisemalla automaattisesti moottorin virran. Työkalu pysähtyy automaattisesti kesken käytön, jos työkalussa tai akussa ilmenee jokin seuraavista tilanteista:

Ylikuormitusuoja

Kun laitetta / akkua käytetään tavalla, joka saa sen kuluttamaan epätavallisen suuren määrän virtaa, laite pysähtyy automaattisesti. Katkaise tässä tilanteessa laitteesta virta ja lopeta ylikuormitustilan aiheuttanut käyttö. Käynnistä sitten laite uudelleen kytkemällä siihen virta.

Ylikuumenemissuoja

Työkalun/akun ylikuumentessa työkalu pysähtyy automaattisesti ja lamppu alkaa vilkkua. Tässä tapauksessa anna työkalun jäähtyä, ennen kuin kytket sen uudelleen päälle.

Ylipurkautumissuoja

Kun akun varaus on riittämätön, työkalu pysähtyy automaattisesti. Irrota silloin akku työkalusta ja lataa se.

Kytken käyttöäminen

HUOMIO: Tarkista aina ennen akkupaketin asettamista työkaluun, että liipaisinkytkin kytkeytyy oikein ja palaa ”OFF”-asentoon, kun se vapautetaan.

► **Kuva3:** 1. Liipaisinkytkin

Käynnistä työkalu painamalla liipaisinkytkintä. Työkalun nopeus kasvaa liipaisinkytkimeen kohdistuvaa voimaa lisättäessä. Pysäytä vapauttamalla liipaisinkytkin.

HUOMAA: Työkalu pysähtyy automaattisesti, jos liipaisinkytkintä painetaan yhtäjaksoisesti noin 6 minuutin ajan.

Etulampun sytyttäminen

HUOMIO: Älä katso suoraan lamppuun tai valonlähteeseen.

► **Kuva4:** 1. Lamppu

Lamppu syttyy, kun painat liipaisinkytkintä. Lamppu palaa niin kauan kuin liipaisinkytkintä painetaan. Lamppu sammuu noin 10 sekunnin kuluttua liipaisinkytkimen vapauttamisesta.

HUOMAA: Työkalun ylikuumentessa se pysähtyy automaattisesti ja lamppu alkaa vilkkua. Tällaisessa tapauksessa vapauta liipaisinkytkin. Lamppu sammuu 1 minuutin kuluttua.

HUOMAA: Pyyhi lika pois linssistä kuivalla liinalla. Varo naarmuttamasta linssiä, ettei valoteho laske.

Pyörimissuunnan vaihtokytkimen toiminta

HUOMIO: Tarkista aina pyörimissuuntaa ennen käyttöä.

HUOMIO: Käytä pyörimissuunnan vaihtokytkintä vasta sen jälkeen, kun kone on lakannut kokonaan pyörimästä. Pyörimissuunnan vaihto koneen vielä pyöriessä voi vahingoittaa sitä.

HUOMIO: Aina kun konetta ei käytetä, käännä pyörimissuunnan vaihtokytkin keskiasentoon.

Työkalussa on pyörimissuunnan vaihtokytkin. Jos haluat koneen pyöriävän myötäpäivään, paina vaihtokytkintä A-puolelta ja jos vastapäivään, paina sitä B-puolelta. Jos pyörimissuunnan vaihtokytkin on keskiasennossa, kytkinvipu lukittuu.

► **Kuva5:** 1. Pyörimissuunnan vaihtokytkimen vipu

Nopeuden muuttaminen

HUOMAUTUS: Käytä nopeudenvaihtokytkintä vasta sen jälkeen, kun laite on lakannut kokonaan pyörimästä. Laitteen nopeuden muuttaminen ennen sen pysähtymistä saattaa vahingoittaa sitä.

HUOMAUTUS: Siirrä nopeudenvaihtokytkin aina varovasti oikeaan asentoon. Jos käytät laitetta siten, että nopeudenvaihtokytkin on asentojen 1 ja 2 puolivälissä, laite voi vahingoittua.

HUOMAUTUS: Mikäli pyörimisnopeus laskee merkittävästi suuren nopeuden tilassa, pysäytä laite ja vaihda pienen nopeuden tilaan. Muutoin moottori voi ylikuumentua, mikä voi johtaa toimintahäiriöön tai tulipalloon.

Nopeudenvaihtokytkimellä voi vaihtaa kahden ennalta määritetyn nopeustilan välillä.

Muuta nopeutta kääntämällä nopeudenvaihtokytkintä niin, että sen osoitin osoittaa pienen nopeuden asentoa 1 tai suuren nopeuden asentoa 2.

► **Kuva6:** 1. Osoitin 2. Nopeudenvaihtokytkin

Sähköinen toiminta

Sähköjarru

Tämä työkalu on varustettu sähköjarrulla. Jos työkalu ei toistuvasti pysähdy nopeasti liipaisinkytkimen vapautuksen jälkeen, huollata työkalu Makitan huoltopalvelussa.

Pehmeä käynnistys

Tämä toiminto mahdollistaa laitteen pehmeään käynnistuksen rajoittamalla käynnistuksen vääntömomenttia.

KOKOONPANO

⚠HUOMIO: Varmista aina ennen mitään työkalulle tehtäviä toimenpiteitä, että se on sammutettu ja akku irrotettu.

Sivukahvan asentaminen (lisäkahva)

⚠HUOMIO: Varmista aina ennen käyttöä, että sivukahva on tukevasti paikoillaan.

Kierrä sivukahva laitteeseen tiukasti. Sivukahvan voi asentaa kummalle tahansa puolelle laitetta käyttömukavuuden mukaan.

► **Kuva7:** 1. Sivukahva

Avaimen pidikkeen asentaminen

(Maakohtainen)

⚠HUOMIO: Varmista aina ennen käyttöä, että avaimen pidike on tukevasti paikoillaan.

Ruuvaa avaimen pidike tiukasti kiinni työkaluun. Aseta istukan avain sitten paikalleen.

► **Kuva8:** 1. Avaimen pidike 2. Ruuvi 3. Istukan avain

Poranterän kiinnittäminen tai irrottaminen

Asenna poranterä työntämällä se istukkaan niin syvälle kuin se menee. Kiristä istukka käsin. Aseta istukan avain kuhunkin kolmesta reiästä ja kiristä myötäpäivään. Varmista, että kiristät kaikki kolme istukan aukkoa yhtä kireälle.

Poranterä irrotetaan kääntämällä istukan avainta vastapäivään vain yhdestä istukan aukosta, jonka jälkeen istukka avataan käsin.

► **Kuva9:** 1. Istukan avain

Palauta istukan avain käytön jälkeen työkaluun kiinnittelyyn avaimen pidikkeeseen kuvan mukaisesti.

► **Kuva10:** 1. Avaimen pidike

Koukku

⚠HUOMIO: Poista akku aina, kun ripustat laitteen koukusta.

⚠HUOMIO: Älä koskaan ripusta laitetta korkeaan paikkaan tai epävakaaile alustalle.

Työkalu voidaan kätevästi ripustaa väliaikaisesti koukkuun.

Voit käyttää koukkuja helposti nostamalla sitä niin, että se napsahtaa auki-asentoon. Kun et käytä sitä, laske aina koukku, kunnes se napsahtaa kiinni-asentoonsa.

► **Kuva11:** 1. Koukku

► **Kuva12**

Turvaliinan (liekaköyden) kiinnittäminen koukkuun

⚠HUOMIO: Älä käytä vaurioitunutta koukkuja ja vaurioituneita ruuveja. Tarkista koukku aina ennen käyttöä vaurioiden, murtumien ja vääntymien varalta ja varmista, että ruuvit on kiristetty.

⚠HUOMIO: Varmista, että koukku on kunnolla kiinnitetty ruuveilla.

⚠HUOMIO: Älä asenna tai irrota mitään lisävarusteita, kun työkalu on ripustettuna. Työkalu voi pudota, jos ruuveja ei ole kiristetty.

⚠HUOMIO: Käytä aina lukittuvaa (monivaiheista ja kiinni ruuvattavaa) kiinnityssolkea ja kiinnitä turvaliina (liekaköysi) koukun kaksinkertaiseen osaan. Turvaton kiinnitys voi johtaa työkalun tippumiseen koukusta ja henkilövahinkoon.

Koukku on tarkoitettu myös turvaliinan (liekaköyden) kiinnittämistä varten. Kiinnitä turvaliina (liekaköysi) aina koukun kaksinkertaiseen osaan.

► **Kuva13:** 1. Koukun kaksinkertainen osa
2. Turvaliina (liekaköysi) 3. Lukittuva (monivaiheinen ja kiinni ruuvattava) kiinnityssolki

TYÖSKENTELY

⚠HUOMIO: Työnnä akkupaketti pohjaan asti, niin että se napsahtaa paikoilleen. Jos painikkeen yläpuolella näkyy punainen ilmaisin, akku ei ole lukkiutunut täysin paikoilleen. Työnnä se pohjaan asti, niin että punaista ilmaisinta ei enää näy. Jos akku ei ole kunnolla paikallaan, se voi pudota työkalusta ja aiheuttaa vammoja joko sinulle tai sivullisille.

⚠HUOMIO: Kun työkalun nopeus pienenee huomattavasti, vähennä työkalun kuormitusta tai pysäytä työkalu, jotta se ei vaurioidu.

⚠HUOMIO: Pidä laitteesta tukevasti kiinni sen käytön aikana.

Laitteen piteleminen

⚠HUOMIO: Tämä on tehokas laite. Se kehittää suuren vääntömomentin, joten on tärkeää, että laitetta pidellään tiukasti ja oikein tukien.

Pidä toisella kädellä kiinni kahvasta ja toisella kädellä etukahvasta.

► **Kuva14:** 1. Etukahva 2. Kahva

Poraustoiminta

Puun poraaminen

Puuta porattaessa paras lopputulos saadaan ohjausruuville varustetuilla puuterillä. Ohjausruuvi helpottaa poraamista vetämällä poranterää työkappaleeseen.

Metallin poraaminen

Poran terään syyjään luiskahtamisen ehkäisemiseksi porauksen alussa, tee ensin porauskohtaan pieni kolo pussilla ja vasaralla. Aseta poran kärki koloon ja aloita poraaminen.

Käytä metallia poratessasi leikkuujäjä. Poikkeuksena ovat rauta ja messinki, joita tulee porata kuivana.

⚠HUOMIO: Työkalan painaminen liian voimakkaasti ei nopeuta poraamista. Päinvastoin liiallinen paine vain tylyyttää poran terää, hidastaa työtä ja lyhentää työkalun käyttöikää.

⚠HUOMIO: Pidä työkalu tukevassa otteessa ja ole varovainen, kun terä alkaa porautua läpi työkappaleesta. Työkaluun/terään kohdistuu valtava voima, kun terä porautuu läpi.

⚠HUOMIO: Juuttuneen terän voi irrottaa vaihtamalla terän pyörimissuuntaa ja peruuttaa. Pidä kuitenkin työkalusta lujasti kiinni, sillä se voi tökätä taaksepäin äkinäisesti.

⚠HUOMIO: Kiinnitä työkappaleet aina viilapenkkiin tai vastaavaan pidikkeeseen.

⚠HUOMIO: Älä poraa materiaalia, jossa epäilet olevan nauloja tai muita piilossa olevia materiaaleja, jotka saattavat aiheuttaa poran terän jäämisen kiinni tai vaurioittaa sitä.

⚠HUOMIO: Jos työkalua käytetään yhtäjaksoisesti niin pitkään, että akkupaketti tyhjenee, anna työkalun seistä 15 minuuttia ennen kuin jatkat työskentelyä uudella akulla.

Turvalliinan (liekaköyden) kiinnittäminen

⚠Korkealla työskentelyyn liittyvät varoitukset
Lue huolellisesti kaikki turvallisuusvaroitukset ja käyttöohjeet. Varoitusten ja ohjeiden noudattamatta jättäminen voi aiheuttaa vakavia vammoja.

1. Pidä laite aina kiinnitetyn turvalliinan korkealla työskennellessä. Käytettävän turvalliinan enimmäispituus on 2 m (6,5 ft). Turvalliinan (liekaköyden) sallima putoamismatka saa olla enintään 2 m (6,5 ft).
2. Käytä vain laitetypille sopivia turvalliinoja, jotka kestävät vähintään 5,0 kg:n (11,0 lbs) kuorman.
3. Älä kiinnitä laitteen turvalliinan toista päätä vartaloosi tai liikkuviin kohteisiin. Ankkuroi turvalliina kiinteään rakenteeseen, joka kestää laitteen putoamisvoiman.
4. Varmista ennen käyttöä, että turvalliina on kiinnitetty huolellisesti kummastakin päästä.
5. Tarkista ennen käyttöä, että sekä laite että turvalliina (myös kangas ja ompeleet) ovat ehjiä ja että ne toimivat oikein. Älä käytä niitä, jos ne ovat vaurioituneet tai eivät toimi oikein.
6. Älä kierrä turvalliinaa terävä- tai karkeareunaisen esineiden ympärille tai päästä sitä kosketamaan niitä.
7. Kiinnitä turvalliinan toinen pää työskentelyalueen ulkopuolelle niin, että turvalliina pysäyttää putoavan laitteen varmasti.

8. Kiinnitä turvalliina niin, että laite liikkuu pois päin käyttäjistä pudotessaan. Putoavien laitteiden aiheuttama turvalliinan kiristyminen voi aiheuttaa vammoja tai tasapainon pettämisen.
9. Älä käytä liikkuvien osien tai käynnissä olevien koneiden lähellä. Ne voivat aiheuttaa pusertumis- tai kiinnijääntivaaran.
10. Älä kanna laitetta kiinnitysmekanismista tai turvalliinasta.
11. Siirrä laite kädestäsi toiseen vain, kun asentosi on täysin tasapainoinen.
12. Älä kiinnitä laitteeseen turvalliinoja niin, että ne estävät suojusten, kytkimien tai lukitusten oikean toiminnan.
13. Vältä turvalliinaan sokeutumista.
14. Pidä turvalliina pois laitteen leikkuualueelta.
15. Käytä monivaiheisia ja kiinni ruuvattavia kiinnityssolkia. Älä käytä jousitoimisia yksivaiheisia kiinnityssolkia.
16. Mikäli laite putoaa, se on merkittävä ja pois-tettava käytöstä, minkä jälkeen se on tarkistuttava Makitan tehtaalla tai valtuutetussa huoltoilikkeessä.

KUNNOSSAPITO

⚠HUOMIO: Varmista aina ennen tarkastusta tai huoltoa, että työkalu on sammutettu ja akku irrotettu.

HUOMAUTUS: Älä koskaan käytä bensiiniä, ohenteita, alkoholia tai tms. aineita. Muutoin pinta voi halkeilla tai sen värit ja muoto voivat muuttua. Muotoin laitteeseen voi tulla värjäytyksiä, muodon vääristymiä tai halkeamia.

Tuotteen TURVALLISUUDEN ja LUOTETTAVUUDEN takaamiseksi korjaukset, muut huoltotyöt ja säädöt on teetettävä Makitan valtuutetussa huoltopisteessä Makitan varaosia käyttäen.

LISÄVARUSTEET

⚠HUOMIO: Seuraavia lisävarusteita tai laitteita suositellaan käytettäväksi tässä ohjeessa kuvatun Makita-työkalan kanssa. Muiden lisävarusteiden tai laitteiden käyttö voi aiheuttaa henkilövahinkoja. Käytä lisävarusteita ja -laitteita vain niiden käyttötarkoituksen mukaisesti.

Jos tarvitset apua tai yksityiskohtaisempia tietoja seuraavista lisävarusteista, ota yhteys paikalliseen Makitan huoltoon.

- Poran terät
- Aito Makitan akku ja laturi

HUOMAA: Jotkin luettelossa mainitut varusteet voivat sisältyä työkalun toimitukseen vakiovarusteina. Ne voivat vaihdella maittain.

SPECIFIKATIONER

| | | | |
|----------------------------------|------|---|---|
| Model: | | DDA450 | |
| Gearhastighed | | Høj | Lav |
| Borekapacitet | Stål | 13 mm | |
| | Træ | Sneglebor: 38 mm Selvfremføringsbit: 50 mm Hulsav: 101 mm | Sneglebor: 38 mm Selvfremføringsbit: 65 mm Hulsav: 127 mm |
| Hastighed uden belastning | | 0 - 1.400 min ⁻¹ | 0 - 450 min ⁻¹ |
| Samlet længde (med akku BL1860B) | | 434 mm | |
| Mærkespænding | | DC 18 V | |
| Nettovægt | | 3,2 - 3,5 kg | |

- På grund af vores kontinuerlige forsknings- og udviklingsprogrammer kan hosstående specifikationer blive ændret uden varsel.
- Specifikationer kan variere fra land til land.
- Vægten kan være anderledes afhængigt af tilbehøret, inklusive akkuen. Den letteste og tungeste kombination i henhold til EPTA-procedure 01/2014 er vist i tabellen.

Anvendelig akku og oplader

| | |
|---------|--|
| Akku | BL1815N / BL1820B / BL1830B / BL1840B / BL1850B / BL1860B |
| Oplader | DC18RC / DC18RD / DC18RE / DC18SD / DC18SE / DC18SF / DC18SH |

- Nogle af de akkuer og opladere, der er angivet ovenfor, er muligvis ikke tilgængelige, afhængigt af hvilket område du bor i.

⚠ ADVARSEL: Brug kun de akkuer og opladere, der er angivet ovenfor. Brug af andre akkuer og opladere kan medføre personskaade og/eller brand.

Tilsigtet anvendelse

Maskinen er beregnet til at bore i træ, metal og plastik.

Støj

Det typiske A-vægtede støjniveau bestemt i overensstemmelse med EN62841-2-1:
 Lydtryksniveau (L_{pA}): 83 dB (A)
 Lydeffektniveau (L_{WA}): 94 dB (A)
 Usikkerhed (K): 3 dB (A)

BEMÆRK: De(n) angivne støjemissionsværdi(er) er målt i overensstemmelse med en standardtestmetode og kan anvendes til at sammenligne en maskine med en anden.

BEMÆRK: De(n) angivne støjemissionsværdi(er) kan også anvendes i en præliminær eksponeringsvurdering.

⚠ ADVARSEL: Bær høreværn.

⚠ ADVARSEL: Støjemissionen under den faktiske anvendelse af maskinen kan være forskellig fra de(n) angivne værdi(er), afhængigt af den måde hvorpå maskinen anvendes, især den type arbejdsemne der behandles.

⚠ ADVARSEL: Sørg for at identificere de sikkerhedsforskrifter til beskyttelse af operatøren, som er baseret på en vurdering af eksponering under de faktiske brugsforhold (med hensyntagen til alle dele i brugscyklussen, f.eks. de gange, hvor maskinen er slukket, og når den kører i tomgang i tilgift til afbrydertiden).

Vibration

Vibrationens totalværdi (tre-aksial vektorsum) bestemt i overensstemmelse med EN62841-2-1:
 Arbejdstilstand: boring i metal
 Vibrationsemission ($a_{h,D}$): 2,5 m/s² eller mindre
 Usikkerhed (K): 1,5 m/s²

BEMÆRK: De(n) angivne totalværdi(er) for vibration er målt i overensstemmelse med en standardtestmetode og kan anvendes til at sammenligne en maskine med en anden.

BEMÆRK: De(n) angivne totalværdi(er) for vibration kan også anvendes i en præliminær eksponeringsvurdering.

⚠ ADVARSEL: Vibrationsemissionen under den faktiske anvendelse af maskinen kan være forskellig fra de(n) angivne værdi(er), afhængigt af den måde hvorpå maskinen anvendes, især den type arbejdsemne der behandles.

⚠ ADVARSEL: Sørg for at identificere de sikkerhedsforskrifter til beskyttelse af operatøren, som er baseret på en vurdering af eksponering under de faktiske brugsforhold (med hensyntagen til alle dele i brugscyklussen, f.eks. de gange, hvor maskinen er slukket, og når den kører i tomgang i tilgift til afbrydertiden).

EF-overensstemmelseserklæring

Kun for lande i Europa

EF-overensstemmelseserklæringen er inkluderet som Bilag A i denne brugsanvisning.

SIKKERHEDSADVARSLER

Almindelige sikkerhedsregler for el-værktøj

⚠ ADVARSEL: Læs alle de sikkerhedsadvarsler, instruktioner, illustrationer og specifikationer, der følger med denne maskine. Forsømmelse af at overholde alle nedenstående instruktioner kan medføre elektrisk stød, brand og/eller alvorlig personskade.

Gem alle advarsler og instruktioner til fremtidig reference.

Ordet "el-værktøj" i advarslerne henviser til det netforsynede (netledning) el-værktøj eller batteriforsynede (akku) el-værktøj.

Sikkerhedsadvarsler for akku boremaskine

Sikkerhedsinstruktioner for alle betjeneringer

1. Brug hjælpehåndtaget (-håndtagene). Hvis herredømmet over maskinen mistes, kan det føre til tilskadekomst.
2. Hold maskinen i de isolerede gribeplader, når der udføres et arbejde, hvor skæretilbehøret kan komme i kontakt med skjulte ledninger. Skæretilbehør, som kommer i kontakt med en strømførende ledning, kan gøre maskinens ikke-isolerede metaldele strømførende, hvilket kan give operatøren elektrisk stød.
3. Vær altid sikker på, at De har et godt fodfæste. Vær sikker på, at der ikke befinder sig nogen nedenunder, når maskinen anvendes i højden.
4. Hold godt fast i maskinen.
5. Hold hænderne væk fra roterende dele.
6. Lad ikke maskinen køre i tomgang. Anvend kun maskinen håndholdt.
7. Rør ikke ved borebitten eller arbejdsstykket umiddelbart efter arbejdet, da de kan være meget varme og give hudforbrændinger.
8. Nogle materialer indeholder kemikalier, som kan være giftige. Vær påpasselig med at forhindre inhalering af støv og hudkontakt. Følg materiale-leverandørens sikkerhedsdata.
9. Hvis borebitten ikke kan løsnes, selvom du åbner kærberne, skal du bruge en tang til at trække den ud. Hvis du i et sådant tilfælde trækker borebitten ud i hånden, kan det medføre personskade på grund af dens skarpe kant.
10. Hvis der er noget galt med maskinen, som fx unormale lyde, skal du med det samme ophøre med betjeningen og bede dit lokale Makita-servicecenter om reparation.
11. Inden betjening skal du sørge for, at der ikke er nogen skjulte genstande som fx elektriske rør, vandrør eller gasrør i jorden. Ellers kan maskinen muligvis komme i kontakt med dem, hvilket kan resultere i elektrisk stød, ellækage eller gaslækage.

Sikkerhedsinstruktioner ved brug af lange borebits

1. Må aldrig anvendes ved en højere hastighed end den maksimale hastighedsnormering for borebitten. Ved højere hastigheder er det sandsynligt, at bittene bøjer, hvis den tillades at dreje frit uden kontakt med arbejdsområdet, hvilket resulterer i personskade.
2. Start altid boring ved lav hastighed og med spidsen af bittene i kontakt med arbejdsområdet. Ved højere hastigheder er det sandsynligt, at bittene bøjer, hvis den tillades at dreje frit uden kontakt med arbejdsområdet, hvilket resulterer i personskade.
3. Tryk kun direkte i bittens retning og anvend ikke for meget tryk. Bits kan bøje og forårsage brud eller tab af kontrollen, hvilket kan medføre personskade.

GEM DISSE FORSKRIFTER.

⚠ ADVARSEL: LAD IKKE bekvemmelighed eller kendskab til produktet (opnået gennem gentagen brug) forhindre, at sikkerhedsforskrifterne for produktet nøje overholdes. MISBRUG eller forsømmelse af at følge de i denne brugsvejledning givne sikkerhedsforskrifter kan medføre alvorlig personskade.

Vigtige sikkerhedsinstruktioner for akkuen

1. Læs alle instruktioner og advarselmærkater på (1) akku-opladeren, (2) akkuen og (3) produktet, som anvender akku.
2. Adskil eller ændr ikke akkuen. Det kan muligvis resultere i en brand, overdreven varme eller eksplosion.
3. Hold straks op med anvendelsen, hvis brugstiden er blevet stærkt afkortet. Fortsæt anvendelse kan resultere i risiko for overophedning, forbrændinger og endog eksplosion.
4. Hvis De har fået elektrolytvæske i øjnene, skal De straks skylle den ud med rent vand og derefter øjeblikkeligt søge lægehjælp. I modsat fald kan De miste synet.
5. Vær påpasselig med ikke at komme til at kortslutte akkuen:
 - (1) Rør ikke ved terminalerne med noget ledende materiale.
 - (2) Undgå at opbevare akkuen i en beholder sammen med andre genstande af metal, for eksempel søm, mønter og lignende.
 - (3) Udsæt ikke akkuen for vand eller regn. Kortslutning af akkuen kan forårsage en kraftig øgning af strømmen, overophedning, mulige forbrændinger og endog værktøjstop.
6. Opbevar og brug ikke maskinen og akkuen på steder, hvor temperaturen muligvis kan nå eller overstige 50 °C.
7. Lad være med at brænde akkuen, selv ikke i tilfælde, hvor den har lidt alvorlig skade eller er fuldstændig udtjent. Akkuen kan eksplodere, hvis man forsøger at brænde den.
8. Slå ikke søm i, skær ikke i, knus, kast, tab ikke akkuen og stød ikke akkuen mod en hård genstand. Sådant adfærd kan muligvis resultere i en brand, overdreven varme eller eksplosion.
9. Anvend ikke en beskadiget akku.

10. **De indbyggede litium-ion-batterier er underlagt lovkrav vedrørende farligt gods.**
Ved kommerciel transport, f.eks. af tredjeparts transportselskaber, skal særlige krav til forpakning og mærkning overholdes.
Ved forberedelse af udstyret til forsendelse skal du kontakte en ekspert i farligt gods. Overhold også eventuel mere detaljeret national lovgivning.
Tape eller tildæk åbne kontakter, og pak batteriet på en måde, så det ikke kan flytte sig rundt i pakningen.
11. **Når akkuen bortskaffes, skal du fjerne den fra maskinen og bortskaffe den på et sikkert sted. Følg de lokale love vedrørende bortskaffelsen af batterier.**
12. **Brug kun batterierne med de produkter, som Makita specificerer.** Hvis batterierne installeres i ikke-kompatible produkter, kan det medføre brand, kraftig varme, eksplosion eller udsivning af elektrolyt.
13. **Hvis maskinen ikke skal bruges i længere tid ad gangen, skal du fjerne batteriet fra maskinen.**
14. **Akkuen kan muligvis under og efter brug være varm, hvilket kan forårsage forbrændinger eller lavtemperaturforbrændinger. Vær påpasselig med håndtering af varme akkuer.**
15. **Rør ikke terminalen på maskinen straks efter brug, da den bliver varm nok til at forårsage forbrændinger.**
16. **Sørg for at spåner, støv eller jord ikke sætter sig fast inde i terminalerne, hullerne og rillerne på akkuen.** Det kan muligvis medføre dårlig ydelse eller nedbrud af maskinen eller akkuen.
17. **Medmindre maskinen understøtter brugen i nærheden af elektriske højspændingsledninger, skal du ikke anvende akkuen i nærheden af elektriske højspændingsledninger.** Det kan muligvis medføre funktionsfejl på eller nedbrud af maskinen eller akkuen.
18. **Opbevar batteriet utilgængeligt for børn.**

GEM DENNE BRUGSANVISNING.

⚠FORSIGTIG: Brug kun originale batterier fra Makita. Brug af uoriginale Makita-batterier, eller batterier som er blevet ændret, kan muligvis medføre brud på batteriet, hvilket kan forårsage brand, personskade eller beskadigelse. Det ugyldiggør også Makita-garantien for Makita-maskinen og opladeren.

Tips til opnåelse af maksimal akku-levetid

1. **Oplad akkuen, inden den er helt afladet. Stop altid værktøjet, og oplad akkuen, hvis De bemærker, at værktøjeffekten er aftagende.**
2. **Genoplad aldrig en fuldt opladet akku. Overopladning vil afkorte akkuens levetid.**
3. **Oplad akkuen ved stuetemperatur ved 10 °C - 40 °C. Lad altid en varm akku få tid til at køle af, inden den oplades.**
4. **Når du ikke anvender akkuen, skal du fjerne den fra maskinen eller opladeren.**
5. **Oplad akkuen, hvis De ikke skal bruge den i længere tid (mere end seks måneder).**

FUNKTIONSBESKRIVELSE

⚠FORSIGTIG: Sørg altid for at maskinen er slukket, og at akkuen er taget ud, før der udføres justering eller kontrol af funktioner på maskinen.

Isætning eller fjernelse af akkuen

⚠FORSIGTIG: Sluk altid for værktøjet, før De monterer eller fjerner akkuen.

⚠FORSIGTIG: Hold værktøjet og akkuen fast ved montering eller fjernelse af akkuen. Hvis De ikke holder værktøjet og akkuen fast, kan de glide ud af hænderne på Dem og forårsage beskadigelse af værktøjet og akkuen eller personskade.

► Fig.1: 1. Rød indikator 2. Knap 3. Akku

Akkuen fjernes ved, at De trækker den ud af værktøjet, idet De skyder knappen på forsiden af akkuen i stilling.

Akkuen monteres ved, at De sætter tungen på akkuen ud for noten i kabinettet og lader den glide på plads. Sæt den hele vejen ind, så den låses på plads med et lille klik. Hvis den røde indikator på oversiden af knappen er synlig, betyder det, at den ikke er tilstrækkeligt låst.

⚠FORSIGTIG: Monter altid akkuen helt, indtil den røde indikator ikke længere er synlig. Hvis dette ikke gøres, kan den falde ud af værktøjet ved et uheld, hvorved De selv eller personer i nærheden kan komme til skade.

⚠FORSIGTIG: Brug ikke magt ved montering af akkuen. Hvis akkuen ikke glider på plads uden problemer, betyder det, at den ikke sættes i på korrekt vis.

Indikation af den resterende batteriladning

Kun til akkuer med indikatoren

► Fig.2: 1. Indikatorlamper 2. Kontrolknap

Tryk på kontrolknappen på akkuen for at få vist den resterende batteriladning. Indikatorlampen lyser i nogle sekunder.

| Indikatorlamper | | | Resterende ladning |
|-----------------|---------|---------|-----------------------------------|
| Tændt | Slukket | Blinker | |
| ■ | □ | ◐ | 75% til 100% |
| ■ ■ ■ ■ | | | 50% til 75% |
| ■ ■ □ □ | | | 25% til 50% |
| ■ □ □ □ | | | 0% til 25% |
| ◐ □ □ □ | | | Genoplad batteriet. |
| ■ ■ □ □ | | | Der er muligvis fejl i batteriet. |
| □ □ ■ ■ | | | |

BEMÆRK: Afhængigt af brugsforholdene og den omgivende temperatur kan indikationen afvige en smule fra den faktiske ladning.

BEMÆRK: Den første indikatorlampe (længst mod venstre) vil blinke, når batteribeskyttelsessystemet aktiveres.

Beskyttelsessystem til værktøj/ batteri

Maskinen er udstyret med et beskyttelsessystem til maskinen/batteriet. Dette system afbryder automatisk strømmen til motoren for at forlænge maskinens og batteriets levetid. Maskinen stopper automatisk under brugen, hvis maskinen eller batteriet udsættes for et af følgende forhold:

Overbelastningsbeskyttelse

Hvis maskinen/batteriet bruges på en måde, der får den til at trække en unormalt høj strøm, stopper maskinen automatisk. I denne situation skal du slukke for maskinen og stoppe den anvendelse, som bevirkede, at maskinen blev overbelastet. Tænd derefter for maskinen for at starte den igen.

Beskyttelse mod overophedning

Når maskinen/batteriet er overophedet, stopper maskinen automatisk, og lampen blinker. Lad i så fald maskinen køle af, før du tænder for maskinen igen.

Beskyttelse mod overafledning

Når batteriladningen er utilstrækkelig, stopper maskinen automatisk. Tag i så fald akkuen ud af maskinen, og oplad akkuen.

Afbryderbetjening

⚠FORSIGTIG: Inden akkuen sættes i maskinen, bør De altid kontrollere, at afbryderknappen fungerer korrekt, og returnerer til "OFF"-positionen, når den slippes.

► Fig.3: 1. Afbryderknop

For at starte maskinen skal du trykke på afbryderknappen. Maskinens hastighed øges ved at trykke på afbryderknappen. Slip afbryderknappen for at stoppe.

BEMÆRK: Maskinen stopper automatisk, hvis De bliver ved med at trykke på afbryderknappen i cirka 6 minutter.

Tænding af lampen foran

⚠FORSIGTIG: Kig aldrig direkte på lyskilden. Lad ikke lyset falde i Deres øjne.

► Fig.4: 1. Lampe

Tryk afbryderknappen ind for at tænde for lampen. Lampen fortsætter med at lyse, så længe afbryderknappen trykkes ind. Lampen slukker omkring 10 sekunder efter at afbryderknappen er udløst.

BEMÆRK: Hvis maskinen er overophedet, stopper maskinen automatisk, og lampen begynder at blinke. I så fald skal du slippe afbryderknappen. Lampen slukkes efter 1 minut.

BEMÆRK: Brug en tør klud til at tørre snavset af lampens linse. Pas på ikke at ridsse lampens linse, da dette muligvis kan dæmpe belysningen.

Omløbsvælgerbetjening

⚠FORSIGTIG: Kontrollér altid omløbsretningen, inden arbejdet påbegyndes.

⚠FORSIGTIG: Flyt kun omløbsvælgeren, når maskinen er helt standset. Hvis omløbsretningen ændres, inden maskinen er helt stoppet, kan det beskadige maskinen.

⚠FORSIGTIG: Sæt altid omløbsvælgeren i neutral stilling, når maskinen ikke anvendes.

Denne maskinen har en omløbsvælger til at skifte omløbsretning. Skub omløbsvælgeren ind fra A-siden for omdrejning med uret, og fra B-siden for omdrejning mod uret. Når omløbsvælgeren er i neutral stilling, kan kontakthåndtaget ikke trækkes ud.

► Fig.5: 1. Omløbsvælger

Skift af hastighed

BEMÆRKNING: Brug kun hastighedsvælgerknappen, efter at maskinen er stoppet helt. Hvis maskinens hastighed ændres, før maskinen er stoppet, kan det beskadige maskinen.

BEMÆRKNING: Sæt altid omhyggeligt hastighedsvælgerknappen i den korrekte position. Hvis maskinen anvendes med hastighedsvælgerknappen sat halvvejs mellem position 1 og position 2, kan maskinen lide skade.

BEMÆRKNING: Hvis rotationshastigheden falder væsentligt under brug i højhastighedstilstand, skal du stoppe maskinen og skifte til lavhastighedstilstand. Ellers kan motoren blive overbelastet og forårsage fejlfunktion eller brand.

Der kan forudindstilles to hastighedsintervaller ved hjælp af hastighedsvælgerknappen. Hvis du vil ændre hastigheden, skal du dreje hastighedsvælgerknappen, så pilen peger mod position 1 for lavhastighedstilstand eller position 2 for højhastighedstilstand.

► Fig.6: 1. Pil 2. Hastighedsvælgerknop

Elektronisk funktion

Elektrisk bremse

Denne maskine er udstyret med en elektrisk bremse. Hvis maskinen konsekvent undlader at stoppe hurtigt, efter at afbryderknappen slippes, skal der udføres service på maskinen hos et Makita-servicecenter.

Funktion til blød start

Denne funktion muliggør blød start af maskinen ved at begrænse drejningsmomentet ved start.

SAMLING

⚠️FORSIGTIG: Sørg altid for at maskinen er slukket, og at akkuen er taget ud, før der udføres noget arbejde på maskinen.

Montering af sidehåndtaget (ekstra håndtag)

⚠️FORSIGTIG: Sørg altid for, at sidehåndtaget er ordentligt monteret inden brugen.

Skrue sidehåndtaget forsvarligt fast på maskinen. Sidehåndtaget kan monteres på begge sider af maskinen, afhængigt af hvad der er mest praktisk.

► **Fig.7:** 1. Sidehåndtag

Montering af nøgleholder

(Landespecifik)

⚠️FORSIGTIG: Sørg altid for, at nøgleholderen er ordentligt monteret inden brug.

Skrue nøgleholderen forsvarligt fast på maskinen. Sæt derefter patronnøglen i position.

► **Fig.8:** 1. Nøgleholder 2. Skruer 3. Patronnøgle

Montering eller afmontering af borebit

Ved montering af borebitten skal den sættes så langt i patronen, som den kan komme. Stram patronen med hånden. Anbring patronnøglen i hvert af de tre huller, og stram i retningen med uret. Sørg for at stramme alle tre patronhuller jævnt.

For at fjerne borebitten drejes patronnøglen i retningen mod uret i blot et af hullerne. Løsn derefter patronen i hånden.

► **Fig.9:** 1. Patronnøgle

Efter brug skal patronnøglen returneres til nøgleholderen på maskinen som vist.

► **Fig.10:** 1. Nøgleholder

Krog

⚠️FORSIGTIG: Tag altid batteriet ud, når du hænger maskinen på krogen.

⚠️FORSIGTIG: Hæng aldrig maskinen på et højt sted eller på en potentielt ustabil overflade.

Krogen er praktisk til midlertidig ophængning af maskinen.

For at benytte krogen skal du blot løfte krogen opad, indtil den klikker på plads i den åbne stilling. Sænk altid krogen, indtil den klikker på plads i den lukkede stilling, når den ikke benyttes.

► **Fig.11:** 1. Krog

► **Fig.12**

Montering af tøjresnor (sikkerhedsline) på krogen

⚠️FORSIGTIG: Brug ikke en beskadiget krog og skruer. Før brugen skal du altid se efter skader, revner eller deformationer og sikre dig, at skruerne er strammet.

⚠️FORSIGTIG: Sørg for, at krogen er monteret ordentligt med skruerne.

⚠️FORSIGTIG: Du må ikke montere eller afmontere tilbehør, mens du hænger maskinen op. Maskinen kan falde ned, hvis skruerne ikke er tilspændt.

⚠️FORSIGTIG: Brug altid en låsekarabinhage (flerfunktions- og skruetype) og sørg for at tøjresnoren (sikkerhedsline) monteres til den del af krogen med den dobbelte løkke. Forkert montering kan muligvis medføre, at maskinen falder af krogen og resultere i personskade.

Krogen anvendes også til tilslutning af tøjresnoren (sikkerhedsline). Sørg for at tilslutte tøjresnoren (sikkerhedsline) til den del af krogen med den dobbelte løkke.

► **Fig.13:** 1. Del af krogen med dobbelt løkke 2. Tøjresnor (sikkerhedsline) 3. Låsekarabinhage (flerfunktions- og skruetype)

ANVENDELSE

⚠️FORSIGTIG: Sæt altid akkuen helt ind, indtil den låses på plads. Hvis du kan se den røde indikator på den øverste side af knappen, er den ikke helt låst. Sæt den helt ind, indtil den røde indikator ikke kan ses. I modsat fald kan den ved et uheld falde ud af maskinen og medføre personskade på dig eller personer i nærheden.

⚠️FORSIGTIG: Når hastigheden falder ekstremt meget, skal belastningen reduceres, eller maskinen skal stoppes for at undgå beskadigelse af maskinen.

⚠️FORSIGTIG: Hold godt fast i maskinen, når du betjener maskinen.

Sådan holdes maskinen

⚠️FORSIGTIG: Dette er en kraftig maskine. Der udvikles et højt moment, og det er vigtigt, at maskinen holdes godt fast og understøttes korrekt.

Tag fat i håndtaget med den ene hånd og det forreste håndtag med den anden hånd.

► **Fig.14:** 1. Forreste håndtag 2. Håndtag

Boring

Boring i træ

Når der bores i træ, opnås det bedste resultat med træbor, som er udstyret med en ledeskruer. Ledeskruen gør boring nemmere ved at trække borebitten ind i arbejdsstykket.

Boring i metal

For at forhindre borebitten i at glide, når man begynder på et hul, skal man lave et hak med en kørner og en hammer på det punkt, hvor der skal bores. Anbring spidsen af borebitten i hakket og begynd boringen. Brug skæresmørelse, når der bores i metal. Undtagelserne er jern og messing, som skal tørbores.

⚠FORSIGTIG: Et kraftigere tryk på maskinen vil ikke gøre boringen hurtigere. Faktisk vil et kraftigere tryk kun føre til skade på spidsen af borebitten, ned-sætte maskinen ydelse og afkorte maskinens levetid.

⚠FORSIGTIG: Hold godt fast i maskinen og udvis forsigtighed, når borebitten begynder at bryde igennem arbejdsstykket. Maskinen/borebitten udsættes for en kraftig påvirkning på det tids-punkt, hvor der brydes igennem hullet.

⚠FORSIGTIG: En borebit, der har sat sig fast, kan fjernes ved at man ganske enkelt sætter omløbsvælgeren til baglæns rotation for at bakke ud. Imidlertid kan maskinen pludselig bakke ud, hvis man ikke holder godt fast i den.

⚠FORSIGTIG: Fastgør altid arbejdsemner i en skruestik eller lignende udstyr til fastgørelse.

⚠FORSIGTIG: Undgå at bore i materiale, som du har mistanke om indeholder skjulte som eller andre genstande, der kan få borebitten til at sidde fast eller gå i stykker.

⚠FORSIGTIG: Hvis maskinen benyttes konstant, indtil akkuen er afladet, skal maskinen have lov til at hvile i 15 minutter, før der fortsættes med et opladet batteri.

Montering af tøjresnor (sikkerhedslinje)

⚠ Specifikke sikkerhedsadvarsler for brug på høje steder. Læs alle sikkerhedsadvarsler og instruktioner. Hvis alle advarsler og instruktioner ikke følges, kan det medføre alvorlig personskade.

1. Hold altid maskinen tøjret, når du arbejder "i højden". Tøjresnoren maksimale længde er 2 m. Den maksimale tilladte faldhøjde for tøjresnoren (sikkerhedslinjen) må ikke overstige 2 m.
2. Brug kun sammen med tøjresnore, der passer til denne maskintype og er normeret til mindst 5,0 kg (11,0 lbs).
3. Undlad at forankre maskinens tøjresnor til nogen del af din krop eller til bevægelige komponenter. Fastgør maskinens tøjresnor til en fast struktur, som kan modstå kraften af en maskine, der tabes.
4. Sørg for, at tøjresnoren er korrekt fastgjort i begge ender før brugen.
5. Inspicer maskinen og tøjresnoren før hver gang, den bruges, for beskadigelser og korrekt funktion (inklusive stof og sammenhæftning). Undlad brug, hvis den er beskadiget eller ikke fungerer korrekt.
6. Undlad at vikle tøjresnore omkring skarpe eller ru kanter eller at lade dem komme i kontakt med disse.
7. Fastgør den anden ende af tøjresnoren uden for arbejdsområdet, så en nedfaldende maskine fastholdes sikkert.

8. Fastgør tøjresnoren på en sådan måde, at maskinen vil bevæge sig væk fra operatøren, hvis den falder ned. Tabte maskiner vil svinge i tøjresnoren, hvilket kan medføre personskade eller tab af balancen.
9. Undlad brug i nærheden af dele i bevægelse eller maskiner, der kører. Hvis du ikke gør dette, kan det medføre risiko for knusning eller indvikling.
10. Undlad at bære maskinen ved at holde i monteringsenheden eller tøjresnoren.
11. Overfør kun maskinen mellem dine hænder, når du har korrekt balance.
12. Undlad at fastgøre tøjresnore til maskinen på en måde, der forhindrer beskyttelsesskærme, kontakter eller låseanordninger i at fungere korrekt.
13. Undgå at blive viklet ind i tøjresnoren.
14. Hold tøjresnoren væk fra maskinens skægeområde.
15. Brug karabinhager af flerfunktions- og skrueporttyperne. Brug ikke karabinhager med enkeltfunktions fjederklemmer.
16. Hvis maskinen tabes, skal den mærkes og tages ud af tjeneste og inspiceres af en Makita-fabrik eller et autoriseret servicecenter.

VEDLIGEHOLDELSE

⚠FORSIGTIG: Vær altid sikker på, at værktøjet er slukket, og at akkuen er taget ud, inden De begynder at udføre inspektion eller vedligeholdelse.

BEMÆRKNING: Anvend aldrig benzin, rensebenzin, fortynder, alkohol og lignende. Det kan medføre misfarvning, deformation eller revner.

For at opretholde produktets SIKKERHED og PÅLIDELIGHED må reparation, vedligeholdelse eller justering kun udføres af et autoriseret Makita servicecenter eller fabrikksservicecenter med anvendelse af Makita reservedele.

EKSTRAUDSTYR

⚠FORSIGTIG: Det følgende tilbehør og ekstraudstyr er anbefalet til brug med Deres Makita maskine, der er beskrevet i denne brugsanvisning. Anvendelse af andet tilbehør eller ekstraudstyr kan udgøre en risiko for personskade. Anvend kun tilbehør og ekstraudstyr til det beskrevne formål.

Hvis De behøver hjælp ved valg af tilbehør eller ønsker yderligere informationer, bedes De kontakte Deres lokale Makita servicecenter.

- Borebits
- Original Makita-akku og oplader

BEMÆRK: Nogle ting på denne liste kan være inkluderet i værktøjsspakken som standardtilbehør. Det kan være forskellige fra land til land.

SPECIFIKĀCIJAS

| Modelis: | | DDA450 | |
|--|---------|---|---|
| Pievada ātrums | | Liels | Mazs |
| Urbšanas spēja | Tērauds | 13 mm | |
| | Koks | Urbja uzgālis: 38 mm Pašurbjošais uzgālis: 50 mm Gredzenzāģis: 101 mm | Urbja uzgālis: 38 mm Pašurbjošais uzgālis: 65 mm Gredzenzāģis: 127 mm |
| Ātrums bez slodzes | | 0–1 400 min ⁻¹ | 0–450 min ⁻¹ |
| Kopējais garums (ar akumulatora kasetni BL1860B) | | 434 mm | |
| Nominālais spriegums | | Līdzstrāva 18 V | |
| Neto svars | | 3,2–3,5 kg | |

- Nepārtrauktās izpētes un izstrādes programmas dēļ šeit uzrādītās specifikācijas var tikt mainītas bez brīdinājuma.
- Atkarībā no valsts specifikācijas var atšķirties.
- Svārs var būt atšķirīgs atkarībā no papildierīces(-ēm), tostarp akumulatora kasetnes. Tabulā ir attēlota vieglākā un smagākā kombinācija atbilstoši EPTA procedūrai 01/2014.

Piemērotā akumulatora kasetne un lādētājs

| | |
|---------------------|--|
| Akumulatora kasetne | BL1815N / BL1820B / BL1830B / BL1840B / BL1850B / BL1860B |
| Lādētājs | DC18RC / DC18RD / DC18RE / DC18SD / DC18SE / DC18SF / DC18SH |

- Daži no iepriekš norādītajiem lādētājiem un akumulatora kasetnēm var nebūt pieejami atkarībā no jūsu mītnes reģiona.

▲BRĪDINĀJUMS: Izmantojiet vienīgi iepriekš norādītās akumulatora kasetnes un lādētājus. Cita tipa akumulatora kasetņu un lādētāju izmantošana var radīt traumu un/vai aizdegšanās risku.

Paredzētā lietošana

Šis darbarīks ir paredzēts koka, metāla un plastmasas urbšanai.

Trokšņa līmenis

Tipiskais A svērtais trokšņa līmenis noteikts saskaņā ar

EN62841-2-1:

Skaņas spiediena līmeni (L_{pA}): 83 dB (A)

Skaņas jaudas līmeni (L_{WA}): 94 dB (A)

Mainīgums (K): 3 dB (A)

PIEZĪME: Paziņotā trokšņa emisijas vērtība noteikta atbilstoši standarta pārbaudes metodei, un to var izmantot, lai salīdzinātu vienu darbarīku ar citu.

PIEZĪME: Paziņoto trokšņa emisijas vērtību arī var izmantot iedarbības sākotnējā novērtējumā.

▲BRĪDINĀJUMS: Lietojiet ausu aizsargus.

▲BRĪDINĀJUMS: Trokšņa emisija patiesos darba apstākļos var atšķirties no paziņotās vērtības atkarībā no darbarīka izmantošanas veida un jo īpaši atkarībā no apstrādājamā materiāla veida.

▲BRĪDINĀJUMS: Lai aizsargātu lietotāju, nosakiet drošības pasākumus, kas pamatoti ar iedarbību reālos darba apstākļos (ņemot vērā visus ekspluatācijas cikla posmus, piemēram, laiku, kamēr darbarīks ir izslēgts un kad darbojas tukšgaitā, kā arī palaides laiku).

Vibrācija

Vibrācijas kopējā vērtība (trīsasu vektora summa)

noteikta atbilstoši EN62841-2-1:

Darba režīms: urbšana metālā

Vibrācijas izmēte ($a_{h,D}$): 2,5 m/s² vai mazāk

Mainīgums (K): 1,5 m/s²

PIEZĪME: Paziņotā kopējā vibrācijas vērtība noteikta atbilstoši standarta pārbaudes metodei, un to var izmantot, lai salīdzinātu vienu darbarīku ar citu.

PIEZĪME: Paziņoto kopējo vibrācijas vērtību arī var izmantot iedarbības sākotnējā novērtējumā.

▲BRĪDINĀJUMS: Vibrācijas emisija patiesos darba apstākļos var atšķirties no paziņotās vērtības atkarībā no darbarīka izmantošanas veida un jo īpaši atkarībā no apstrādājamā materiāla veida.

▲BRĪDINĀJUMS: Lai aizsargātu lietotāju, nosakiet drošības pasākumus, kas pamatoti ar iedarbību reālos darba apstākļos (ņemot vērā visus ekspluatācijas cikla posmus, piemēram, laiku, kamēr darbarīks ir izslēgts un kad darbojas tukšgaitā, kā arī palaides laiku).

EK atbilstības deklarācija

Tikai Eiropas valstīm

EK atbilstības deklarācija šajā lietošanas rokasgrāmatā ir iekļauta kā A pielikums.

DROŠĪBAS BRĪDINĀJUMI

Vispārīgi elektrisko darbarīku drošības brīdinājumi

▲BRĪDINĀJUMS: Izlasiet visus drošības brīdinājumus, instrukcijas, apskatiet ilustrācijas un tehniskos datus, kas iekļauti mehānizētā darbarīka komplektācijā. Ja netiek ievēroti visi tālāk minētie noteikumi, var tikt izraisīta elektrotrauma, notikt aizdegšanās un/vai rasties smagas traumas.

Glabājiet visus brīdinājumus un norādījumus, lai varētu tajos ieskatīties turpmāk.

Termins „elektrisks darbarīks” brīdinājumos attiecas uz tādu elektrisko darbarīku, ko darbina ar elektrību (ar vadu), vai tādu, ko darbina ar akumulatoru (bez vada).

Drošības brīdinājumi bezvada urbmašīnas lietošanai

Drošības norādījumi visām darbībām

1. Izmantojiet papildu rokturi(-us). Zaudējot kontroli, var gūt traumas.
2. Strādājot vietās, kur griezējinstrumenti varētu saskarties ar slēptu elektroinstalāciju, satveriet darbarīka izolētās satveršanas virsmas. Ja griešanas instruments saskarsies ar vadu, kurā ir strāva, visas mehānizētā darbarīka ārējās metāla virsmas var sākt vadīt strāvu un izraisīt strāvas triecienu.
3. Vienmēr nodrošiniet stabilu pamatu kājām. Ja lietojat darbarīku, strādājot lielā augstumā virs zemes, pārliecinieties, ka apakšā neviena nav. Darbarīku turiet cieši.
5. Turiet rokas tālu no rotējošām daļām.
6. Neatstājiet darbarīku ieslēgtu. Darbiniet darbarīku vienīgi tad, ja turat to rokās.
7. Neskarīet urbja uzgali vai apstrādāto detaļu tūlīt pēc darba veikšanas; tie var būt ļoti karsti un var apdedzināt ādu.
8. Daži materiāli satur ķīmiskas vielas, kuras var būt toksiskas. Izvairieties no putekļu ieelpošanas un to nokļūšanas uz ādas. Ievērojiet materiāla piegādātāja drošības datus.
9. Ja urbja uzgali nav iespējams atbrīvot arī tad, ja tiek atvērta spēles, izvelciet to ārā ar knaiblēm. Ja šādā situācijā vilksiet ārā urbja uzgali ar roku, varat savainoties ar tā asajām malām.
10. Ja darbarīks nav kārtībā, piemēram, dzirdami neparasti trokšņi, nekavējoties pārtrauciet ekspluatāciju un lūdziet vietējam Makita apkopes centram veikt remontu.
11. Pirms darba uzsākšanas pārliecinieties, vai zemē nav aprakts kāds objekts, piemēram, elektriskā caurule, ūdens caurule vai gāzes caurule. Citādi darbarīks tos var aizskart, un rezultātā var gūt elektriskās strāvas triecienu, rasties nevēlama elektriskās strāvas izplatīšanās vai gāzes noplūde.

Drošības norādes darbam ar garajiem urbja uzgaliem

1. Nekad neizmantojiet urbja uzgali ar ātrumu, kas pārsniedz norādīto maksimālo darba ātrumu. Ja palielinātā darba ātrumā uzgali tiek pakļauts rotācijai, kad tas nav saskāries ar apstrādājamo materiālu, tas var saliekties un radīt traumas.
2. Sākot darbu, vienmēr izmantojiet lēnu darba ātrumu un rugieties, lai urbja uzgali būtu saskāries ar apstrādājamo materiālu. Ja palielinātā darba ātrumā uzgali tiek pakļauts rotācijai, kad tas nav saskāries ar apstrādājamo materiālu, tas var saliekties un radīt traumas.
3. Spiediet uzgali tikai taisnā virzienā attiecībā pret virsmu, kā arī nespiediet pārāk spēcīgi. Uzgali var saliekties un pārlūzt, izraisot kontroles zudumu un radot traumas.

SAGLABĀJIET ŠOS NORĀDĪJUMUS.

▲BRĪDINĀJUMS: NEPIELĀUJIET to, ka labu iemaņu vai izstrādājuma labas pārzināšanas (darbarīku atkārtoti ekspluatējot) rezultātā vairs stingri neievērojāt šīs izstrādājuma drošības noteikumus. **NEPAREIZI LIETOJOT** darbarīku vai neievērojot šajā instrukciju rokasgrāmatā minētos drošības noteikumus, var tikt gūtas smagas traumas.

Svarīgi drošības norādījumi par akumulatora kasetni

1. Pirms akumulatora lietošanas izlasiet visus norādījumus un brīdinājumus, kuri attiecas uz (1) akumulatora lādētāju, (2) akumulatoru un (3) ierīci, kurā tiek izmantots akumulators.
2. Akumulatora kasetni nedrīkst ne pārveidot, ne izjaukt. Citādi var tikt izraisīta aizdegšanās, pārmērīgs karstums vai sprādziens.
3. Ja akumulatora darbības laiks kļūva ievērojami īsāks, nekavējoties pārtrauciet to izmantot. Citādi, tas var izraisīt pārkarsējumu, uzliesmojumu vai pat sprādzienu.
4. Ja elektrolīts nonāk acīs, izskalojiet tās ar tīru ūdens un nekavējoties griezieties pie ārsta. Tas var izraisīt redzes zaudēšanu.
5. Neradiet īssavienojumu akumulatora kasetnē:
 - (1) Nepieskarieties spailēm ar elektrību vadošiem materiāliem.
 - (2) Neuzglabājiet akumulatoru kasetni kopā ar citiem metāla priekšmetiem, tādiem kā naglas, monētas u. c.
 - (3) Nepakļaujiet akumulatora kasetni ūdens vai lietus iedarbībai.Akumulatora īssavienojums var radīt spēcīgu strāvas plūsmu, pārkaršanu, uzliesmojumu un pat sabojāt akumulatoru.
6. Neglabājiet un neizmantojiet darbarīku un akumulatora kasetni vietās, kur temperatūra var sasniegt vai pārsniegt 50 °C (122 °F).
7. Nededziniet akumulatora kasetni, pat ja tā ir stipri bojāta vai pilnībā nolietota. Akumulatora kasetne ugunī var eksplodēt.
8. Akumulatora kasetni nedrīkst naglot, griezt, saspiest, mest vai nomet, kā arī pa to nedrīkst sist ar cietu priekšmetu. Šādas darbības var izraisīt aizdegšanos, pārmērīgu karstumu vai sprādzienu.
9. Neizmantojiet bojātu akumulatoru.

- Uz izmantotajiem litija jonu akumulatoriem attiecas likumdošanas prasības par bīstamiem izstrādājumiem. Komerciālā transportēšanā, ko veic, piemēram, trešās puses, transporta uzņēmumi, jāievēro uz iesaiņojuma un marķējuma norādītās īpašās prasības. Lai izstrādājumu sagatavotu nosūtīšanai, jāpasaziņās ar bīstamo materiālu speciālistu. Ievērojiet arī citus attiecināmos valsts normatīvus. Valējus kontaktus nosedziet ar līmlenti vai citādi pārklājiet, bet akumulatoru iesaiņojiet tā, lai saīnī tas nevarētu izkustēties.
- Lai utilizētu akumulatora kasetni, izņemiet to no darbarīka un likvidējiet drošā vietā. Ievērojiet vietējos noteikumus par akumulatora likvidēšanu.
- Izmantojiet šos akumulatorus tikai ar izstrādājumiem, kurus norādījis Makita. Ievietojiet šos akumulatorus nesaderīgos izstrādājumos, var rasties ugunsgrēks, pārmērīgs karstums, tie var uzsprāgt vai no tiem var izteēt elektrolīti.
- Ja darbarīks netīks lietots ilgu laiku, no tā jāizņem akumulatorus.
- Lietošanas laikā vai pēc tās akumulatora kasetne var uzkrāt siltumu, kas var izraisīt apdegumus vai zemas temperatūras apdegumus. Ar karstu akumulatora kasetni apieties rūpīgi.
- Nepieskarieties darbarīka izvadam uzreiz pēc lietošanas, jo tas var būt sakarsis un izraisīt apdegumus.
- Neļaujiet akumulatora kasetnes izvadā, atverēs un rievās uzkrāties skaidām, putekliem vai augšnei. Tādējādi darbarīks vai akumulatora kasetne var sākt darboties nekvalitatīvi vai tikt sabojāti.
- Neizmantojiet akumulatora kasetni augstsprieguma līniju tuvumā, izņemot gadījumus, kad darbarīks ir piemērots lietošanai augstsprieguma līniju tuvumā. Citādi darbarīks vai akumulatora kasetne var sākt darboties nepareizi vai tikt sabojāti.
- Glabājiet akumulatoru bērniem nepieejamā vietā.

SAGLABĀJIET ŠOS NORĀDĪJUMUS.

⚠UZMANĪBU: Lietojiet tikai oriģinālos Makita akumulatorus. Ja lietojat neoriģinālus Makita akumulatorus vai pārveidotus akumulatorus, tie var uzsprāgt un izraisīt aizdegšanos, traumas un materiālos zaudējumus. Tīks anulēta arī Makita darbarīka un lādētāja garantija.

Ieteikumi akumulatora kalpošanas laika pagarināšanai

- Uzlādējiet akumulatora kasetni, pirms tā ir pilnībā izlādējusies. Vienmēr, kad ievērojiet, ka darbarīka darba jauda zudusi, apturiet darbarīku un uzlādējiet akumulatora kasetni.
- Nekad neuzlādējiet pilnībā uzlādētu akumulatora kasetni. Pārmērīga uzlāde saīsina akumulatora kalpošanas laiku.
- Uzlādējiet akumulatora kasetni istabas temperatūrā 10 °C - 40 °C. Karstai akumulatora kasetnei pirms uzlādes ļaujiet atdzist.
- Kad akumulatora kasetne netiek izmantota, izņemiet to no darbarīka vai lādētāja.
- Uzlādējiet litija jonu akumulatora kasetni, ja to ilgstoši nelietosīt (vairāk nekā sešus mēnešus).

FUNKCIJU APRAKSTS

⚠UZMANĪBU: Pirms darbarīka regulēšanas vai tā darbības pārbaudes vienmēr pārliecinieties, ka darbarīks ir izslēgts un akumulatora kasetne ir izņemta.

Akumulatora kasetnes uzstādīšana un izņemšana

⚠UZMANĪBU: Vienmēr pirms akumulatora kasetnes uzstādīšanas vai noņemšanas izslēdziet darbarīku.

⚠UZMANĪBU: Uzstādot vai izņemot akumulatora kasetni, darbarīku un akumulatora kasetni turiet cieši. Ja darbarīku un akumulatora kasetni netur cieši, tie var izkrist no rokām un radīt bojājumus darbarīkam un akumulatora kasetnei, kā arī izraisīt ievainojumus.

- **Att. 1:** 1. Sarkanās krāsas indikators 2. Poga 3. Akumulatora kasetne

Lai izņemtu akumulatora kasetni, izvelciet to no darbarīka, pārbīdot kasetnes priekšpusē esošo pogu.

Lai uzstādītu akumulatora kasetni, salāgojiet mēlīti uz akumulatora kasetnes ar rievu ietvarā un iebīdīiet to vietā. Ievietojiet to līdz galam, līdz tā ar klikšķi nofiksējas. Ja pogas augšējā daļā redzams sarkanās krāsas indikators, tas nozīmē, ka tā nav pilnīgi fiksēta.

⚠UZMANĪBU: Vienmēr ievietojiet akumulatora kasetni tā, lai sarkanais indikators nebūtu redzams. Pretējā gadījumā tā var nejauši izkrist no darbarīka un izraisīt jums vai apkārtējiem traumas.

⚠UZMANĪBU: Neievietojiet akumulatora kasetni ar spēku. Ja kasetne neslīd ietvarā viegli, tā nav pareizi ielikta.

Atlikušās akumulatora jaudas indikators

Tikai akumulatora kasetnēm ar indikatoru

- **Att. 2:** 1. Indikatora lampas 2. Pārbaudes poga

Nospiediet akumulatora kasetnes pārbaudes pogu, lai pārbaudītu akumulatora atlikušo uzlādes līmeni. Indikatori iedegsies uz dažām sekundēm.

| Indikatora lampas | | | Atlikusī jauda |
|-------------------|----------|-------|------------------------------|
| Iededzies | Izslēgts | Mirgo | |
| ■ | □ | ◻ | No 75% līdz 100% |
| ■ ■ ■ ■ | □ | | No 50% līdz 75% |
| ■ ■ □ □ | | | No 25% līdz 50% |
| ■ □ □ □ | | | No 0% līdz 25% |
| ◻ □ □ □ | | | Uzlādējiet akumulatoru. |
| ■ ■ □ □ | | | Iespējama akumulatora kļūme. |
| □ □ ■ ■ | | | |

PIEZĪME: Reālā jauda var nedaudz atšķirties no norādītās atkarībā no lietošanas apstākļiem un apkārtējās temperatūras.

PIEZĪME: Akumulatora aizsardzības sistēmas darbības laikā mirgo pirmais (kreisais malējais) indikators.

Darbarīka/akumulatora aizsardzības sistēma

Darbarīkam ir darbarīka/akumulatora aizsardzības sistēma. Šī sistēma automātiski izslēdz strāvas padevi motoram, lai pagarinātu darbarīka un akumulatora darbību. Lietošanas laikā darbarīks automātiski pārstās darboties, ja darbarīku vai akumulatoru pakļaus kādam no šādiem apstākļiem.

Aizsardzība pret pārslodzi

Ja darbarīku/akumulatoru lieto tā, ka tas patērē pārmerīgi lielu strāvas daudzumu, darbarīks automātiski pārstāj darboties. Šādā gadījumā izslēdziet darbarīku un pārtrauciet darbību, kas izraisīja darbarīka pārslodzi. Pēc tam ieslēdziet darbarīku, lai atsāktu darbu.

Aizsardzība pret pārkaršanu

Kad darbarīks/akumulators ir pārkaris, darbarīks automātiski pārstāj darboties un mirgo darbības indikators. Šādā gadījumā pirms darbarīka atkārtotas ieslēgšanas ļaujiet tam atdzist.

Aizsardzība pret akumulatora pārmērīgu izlādi

Ja akumulatora jaudas līmenis ir zems, darbarīks automātiski pārstāj darboties. Šajā gadījumā akumulatoru izņemiet no darbarīka un uzlādējiet.

Slēdža darbība

UZMANĪBU: Pirms akumulatora kasetnes uzstādīšanas darbarīkā vienmēr pārbaudiet, vai slēdža mēlīte darbojas pareizi un pēc atlaišanas atgriežas stāvoklī „OFF” (izslēgts).

► **Att.3:** 1. Slēdža mēlīte

Lai ieslēgtu darbarīku, nospiediet slēdža mēlīti. Darbarīka ātrumu palielina, pastiprinot spiedienu uz slēdža mēlīti. Lai apturētu darbarīku, atlaidiet slēdža mēlīti.

PIEZĪME: Darbarīks automātiski apstāsies, ja turpināsiet spiest slēdža mēlīti apmēram 6 minūtes.

Priekšējās lampas ieslēgšana

UZMANĪBU: Neskatieties gaismā, neļaujiet tās avotam iespīdēt acīs.

► **Att.4:** 1. Lampa

Pavelciet slēdža mēlīti, lai ieslēgtu lampu. Kamēr slēdža mēlīte ir nospiesta, lampa ir ieslēgta. Apmēram 10 sekundes pēc slēdža mēlītes atlaišanas lampa izslēdzas.

PIEZĪME: Ja darbarīks ir pārkaris, tas automātiski izslēdzas, un sāk mirgot indikators. Šādā gadījumā atlaidiet slēdža mēlīti. Indikators izslēdzas pēc 1 min.

PIEZĪME: Ar sausu lupatiņu notīriet netīrumus no lampas lēcas. Izvairieties saskrāpēt lampas lēcu, jo tādējādi tiek samazināts apgaismojums.

Griešanās virziena pārslēdzēja darbība

UZMANĪBU: Pirms sākat strādāt, vienmēr pārbaudiet griešanās virzienu.

UZMANĪBU: Izmantojiet griešanās virziena pārslēdzēju tikai pēc darbarīka pilnīgas apstāšanās. Griešanās virziena maiņa pirms darbarīka pilnīgas apstāšanās var to sabojāt.

UZMANĪBU: Kamēr darbarīks netiek izmantots, vienmēr uzstādiet griešanās virziena pārslēdzēja sviru neitrālajā stāvoklī.

Šis darbarīks ir aprīkots ar pārslēdzēju, kas ļauj mainīt griešanās virzienu. Nospiediet griešanās virziena pārslēdzēja sviru no „A” puses rotācijai pulksteņrādītāju kustības virzienā vai no „B” puses rotācijai pretēji pulksteņrādītāju kustības virzienam.

Ja griešanās virziena pārslēdzēja svira atrodas neitrālā stāvoklī, to nevar pavilkt.

► **Att.5:** 1. Griešanās virziena pārslēdzēja svira

Ātruma regulēšana

IEVĒRĪBAI: Izmantojiet ātruma regulēšanas slēdzi tikai tad, kad darbarīks ir pilnībā apstājies. Ātruma maiņa pirms darbarīka pilnīgas apstāšanās var to sabojāt.

IEVĒRĪBAI: Ātruma regulēšanas slēdzi vienmēr uzmanīgi pavirziet pareizajā pozīcijā. Ja darbināsiet darbarīku, kad ātruma regulēšanas slēdzis ir novietots starp 1. un 2. pozīciju, darbarīks var tikt bojāts.

IEVĒRĪBAI: Ja ātrās darbības režīmā ievērojami palēninās rotācijas ātrums, apturiet darbarīku un pārslēdziet to uz mazo darbības ātrumu. Citādi var tikt pārslēgots motors un ir iespējama kļūdaina darbība vai aizdegšanās.

Ar ātruma regulēšanas slēdzi var priekšstatīt kādu no diviem ātruma diapazoniem.

Lai izmainītu ātrumu, pagrieziet ātruma regulēšanas slēdzi tā, lai rādītājs būtu 1. pozīcijā – maza ātruma režīms, vai 2. pozīcijā – liels ātruma režīms.

► **Att.6:** 1. Rādītājs 2. Ātruma regulēšanas slēdzis

Elektroniskā funkcija

Elektrobremze

Darbarīks ir aprīkots ar elektrobremzi. Ja darbarīks regulāri neapstājas uzreiz pēc slēdža mēlītes atlaišanas, nododiet darbarīku Makita apkopes centrā, lai to salabotu.

Laidenas palaišanas funkcija

Šī funkcija nodrošina darbarīka vienmērīgu iedarbināšanu, ierobežojot iedarbināšanas griezes momentu.

MONTĀŽA

⚠UZMANĪBU: Pirms darbarīka regulēšanas vai apkopes vienmēr pārliecinieties, ka darbarīks ir izslēgts un akumulatora kasetne ir izņemta.

Sānu roktura uzstādīšana (papildu rokturis)

⚠UZMANĪBU: Pirms darbarīka izmantošanas vienmēr pārliecinieties, ka sānu rokturis ir uzstādīts droši.

Stingri pieskrūvējiet sānu rokturi pie darbarīka. Ērtības labad sānu rokturi var uzstādīt jebkurā darbarīka pusē.

► **Att.7:** 1. Sānu rokturis

Atslēgas turētāja uzstādīšana

Atkarībā no valsts

⚠UZMANĪBU: Vienmēr pirms darbarīka izmantošanas pārliecinieties, ka atslēgas turētājs ir droši uzstādīts.

Stingri pieskrūvējiet atslēgas turētāju pie darbarīka. Pēc tam novietojiet vietā spīlpatronas atslēgu.

► **Att.8:** 1. Atslēgas turētājs 2. Skrūve 3. Spīlpatronas atslēga

Urbja uzgaļa uzstādīšana un noņemšana

Lai uzstādītu urbja uzgali, ievietojiet to spīlpatronā līdz galam. Pievelciet spīlpatronu ar roku. Ievietojiet spīlpatronas atslēgu katrā no trim atverēm un pievelciet pulksteņrādītāju kustības virzienā. Noteikti pievelciet visas trīs spīlpatronas atveres vienmērīgi.

Lai noņemtu urbja uzgali, pagrieziet spīlpatronas atslēgu pretēji pulksteņrādītāju kustības virzienam tikai vienā atverē, pēc tam atskrūvējiet spīlpatronu ar roku.

► **Att.9:** 1. Spīlpatronas atslēga

Pēc spīlpatronas atslēgas izmantošanas ievietojiet to darbarīka atslēgas turētājā, kā parādīts.

► **Att.10:** 1. Atslēgas turētājs

Āķis

⚠UZMANĪBU: Vienmēr izņemiet akumulatoru, kad karat darbarīku aiz āķa.

⚠UZMANĪBU: Nekad nekariet darbarīku uz āķa lielā augstumā vai uz iespējami nestabilas virsmas.

Āķis ir noderīgs darbarīka īslaicīgai uzkāšanai.

Lai lietotu āķi, vienkārši celiet to augšup, līdz tas fiksējas atvērtā pozīcijā. Ja neizmantojat āķi, obligāti nolaidiet to uz leju, līdz tas nofiksējas slēgtā pozīcijā.

► **Att.11:** 1. Āķis

► **Att.12**

Saites (stiprinājuma saites) pievienošana āķim

⚠UZMANĪBU: Neizmantojiet bojātu āķi un skrūves. Pirms lietošanas vienmēr pārbaudiet, vai nav bojājumu, plaisu un deformējušās daļas, kā arī pārliecinieties, ka skrūves ir cieši pievilktas.

⚠UZMANĪBU: Pārliecinieties, vai āķis ir pareizi nostiprināts ar skrūvēm.

⚠UZMANĪBU: Neuzstādiēt un nenoveiciet nevienu piederumu, kad darbarīks ir pakarināts. Darbarīks var nokrist, ja skrūves nav cieši pievilktas.

⚠UZMANĪBU: Vienmēr izmantojiet stiprinājuma karabīni (daudzfunkciju un skrūvējuma savienojuma tipa) un raugieties, lai saite (stiprinājuma saite) ir pievienota āķa dubultcilpas daļai. Nepareizas pievienošanas gadījumā darbarīks var nokrist no āķa un izraisīt traumas.

Āķis ir paredzēts arī saites (stiprinājuma saites) pievienošanai. Raugieties, lai saite (stiprinājuma saite) tiek piestiprināta āķa dubultcilpas daļai.

► **Att.13:** 1. Āķa dubultcilpas daļa 2. Saite (stiprinājuma saite) 3. Stiprinājuma karabīne (daudzfunkciju un skrūvējuma savienojuma tipa)

EKSPLUATĀCIJA

⚠UZMANĪBU: Vienmēr ievietojiet akumulatoru kasetni līdz galam, līdz tā nofiksējas. Ja pogas augšējā daļā redzams sarkanas krāsas indikators, tas nozīmē, ka tā nav pilnīgi fiksēta. Iebīdīet to tā, lai sarkanais indikators nebūtu redzams. Pretējā gadījumā akumulators var nejauši izkrist no darbarīka un radīt jums vai apkārtējiem traumas.

⚠UZMANĪBU: Ja ātrums ievērojami pazeminās, samaziniet slodzi vai apturiet darbarīku, lai nepieļautu darbarīka bojājumus.

⚠UZMANĪBU: Darba laikā stingri turiet darbarīku.

Darbarīka turēšana

⚠UZMANĪBU: Šis ir jaudīgs darbarīks. Izmantošanas laikā rodas liels griezes moments, tādēļ ir svarīgi, lai ierīce tiktu stingri turēta un pareizi atbalstīta.

Satveriet rokturi ar vienu roku un priekšējo rokturi ar otru roku.

► **Att.14:** 1. Priekšējais rokturis 2. Rokturis

Urbšana

Urbšana kokā

Urbjot kokā, vislabākie rezultāti iegūstami ar kokurbja uzgaļiem, kuri aprīkoti ar vadskrūvi. Vadskrūve atvieglo urbšanu, virzot urbja uzgali apstrādes detaļā.

Urbšana metālā

Lai novērstu urbja uzgaļa slīdēšanu, sākot urbšanu, vispirms ar punkstiņi un āmuru izveidojiet iedobi vietā, kur jāurbj. Novietojiet urbja uzgali iedobē un sāciet urbt. Urbjot metālā, izmantojiet griešanas smērvielu. Izņēmums ir dzelzs un misiņš, kuri jāurbj bez smērvielas.

⚠UZMANĪBU: Pārmērīgs spiediens uz darbarīku urbsanas ātrumu nepalielinās. Patiesībā pārmērīgs spiediens tikai sabojās urbja uzgali, samazinās darbarīka jaudu un saīsinās tā kalpošanas laiku.

⚠UZMANĪBU: Stingri turiet darbarīku un īpaši uzmanieties brīdī, kad urbja uzgali sāk virzīties cauri apstrādājamai daļai. Cauruma izveides brīdī uz darbarīku un uzgali iedarbojas ļoti liels spēks.

⚠UZMANĪBU: Iestrēgušu urbja uzgali var atbrīvot, vienkārši uzstādot griešanās virziena pārslēdzēju pretējā virzienā, lai urbis tiktu virzīts atpakaļ virzienā uz āru. Taču uzmanieties, jo, ja ierīci neturēsiet stingri, tā var strauji virzīties atpakaļ.

⚠UZMANĪBU: Nelielas apstrādājamas detaļas vienmēr ievietojiet skrūvspīlēs vai citā stiprinājuma ierīcē.

⚠UZMANĪBU: Neurbiet materiālā, kurā var būt slēptas naglas vai kādi citi priekšmeti, kas var izraisīt urbja uzgaļa iestrēgšanu vai salūšanu.

⚠UZMANĪBU: Ja darbarīks tiek darbināts nepārtraukti, līdz akumulatora kasetne ir izlādējusies, pirms turpināt darbu ar jaunu akumulatoru, 15 min turiet darbarīku izslēgtu.

Saites (stiprinājuma saites) savienojums

⚠Specifiskie drošības brīdinājumi, strādājot lielā augstumā izlasiet visus drošības brīdinājumus un norādījumus. Neievērojot brīdinājumus un norādījumus, iespējams gūt nopietnus ievainojumus.

1. Strādājot augstumā, vienmēr nostipriniet darbarīku ar stiprinājuma saiti. Maksimālais saites garums ir 2 m (6,5 pēdas). Maksimālais pieļaujamais darbarīka krišanas augstums saitei (stiprinājuma saitei) nedrīkst pārsniegt 2 m (6,5 pēdas).
2. Izmantojiet tikai ar tādām saitēm, kas piemērotas šim darbarīka veidam un ir paredzētas vismaz 5,0 kg (11,0 mārciņām).
3. Nenostipriniet darbarīka saiti pie sava ķermeņa vai pie kustīgiem priekšmetiem. Nostipriniet darbarīka saiti pie stingras konstrukcijas, kas var izturēt krītoša darbarīka radītos spēkus.
4. Pirms izmantošanas pārliecinieties, ka saites abi gali ir pienācīgi nostiprināti.
5. Pirms katras izmantošanas reizes pārbaudiet, vai darbarīkam un saitei nav kādu bojājumu un tie veic savas funkcijas (pārbaudiet arī audumu un šuves). Neizmantojiet, ja tiem ir bojājumi vai tie pienācīgi neveic savas funkcijas.
6. Netiniet saites ap asām vai raupjām šķautnēm un raugiet, lai saite ar šādām šķautnēm nesaskartos.

7. Nostipriniet otru saites galu ārpus darba zonas, lai tā droši noturētu krītošu darbarīku.
8. Pievienojiet saiti tā, lai darbarīks, ja tas krīt, pārvietotos virzienā prom no lietotāja. Nokrītušā darbarīki šūposies saitē, un tas varētu izraisīt savainojumus vai līdzsvara zudumus.
9. Neizmantojiet kustīgu daļu vai darbojošos iekārtu tuvumā. Pretējā gadījumā var būt sasišanas vai saptīšanās risks.
10. Nesot darbarīku, neturiet to aiz pievienotās ierīces vai saites.
11. Ja vēlaties paņemt darbarīku no vienas rokas otrā, vispirms nostāieties stabilā pozīcijā.
12. Pievienojiet saites darbarīkam tādā veidā, lai tās netraucētu aizsargu, slēdžu vai bloķēšanas ierīču pareizu darbību.
13. Nesapīnieties saitē.
14. Raugiet, lai saite neatrastos darbarīka griešanas zonā.
15. Izmantojiet daudzfunkcionālas karabīnes ar skrūvējamu savienojumu. Neizmantojiet vienkāršās karabīnes ar atsperes savienojumu.
16. Gadījumā, ja darbarīks nokrīt, tam jāpievieno etiķete, un to nedrīkst ekspluatēt; darbarīks ir jāpārbauda Makita rūpnīcā vai pilnvarotā servisa centrā.

APKOPE

⚠UZMANĪBU: Pirms darbarīka pārbaudes vai apkopes vienmēr pārliecinieties, ka darbarīks ir izslēgts un akumulatora kasetne ir izņemta.

IEVĒRĪBAI: Nekad neizmantojiet gazoļīnu, benzīnu, atšķaidītāju, spirtu vai līdzīgus šķidrumus. Tas var radīt izbalēšanu, deformāciju vai plaisas.

Lai saglabātu izstrādājuma DROŠU un UZTICAMU darbību, remontdarbus, apkopi un regulēšanu uzticiet veikt tikai Makita pilnvarotam vai rūpnīcas apkopes centram, un vienmēr izmantojiet tikai Makita rezerves daļas.

PAPILDU PIEDERUMI

⚠UZMANĪBU: Šādi piederumi un papildierīces tiek ieteiktas lietošanai ar šajā rokasgrāmātā aprakstīto Makita darbarīku. Izmantojot citus piederumus vai papildierīces, var tikt radīta trauma gūšanas bīstamība. Piederumu vai papildierīci izmantojiet tikai paredzētajam mērķim.

Ja jums vajadzīga palīdzība vai precīzāka informācija par šiem piederumiem, vērsieties savā tuvākajā Makita apkopes centrā.

- Urbja uzgali
- Makita oriģinālais akumulators un lādētājs

PIEZĪME: Daži sarakstā norādītie izstrādājumi var būt iekļauti instrumenta komplektācijā kā standarta piederumi. Tie dažādās valstīs var būt atšķirīgi.

SPECIFIKACIJOS

| Modelis: | | DDA450 | |
|---|---------|---|---|
| Pavaros greitis | | Aukštas | Žemas |
| Gręžimo galia | Plienas | 13 mm | |
| | Mediena | Grąžto antgalis: 38 mm Automatiškai tiekiamas grąžtas: 50 mm Skylių pjūklas: 101 mm | Grąžto antgalis: 38 mm Automatiškai tiekiamas grąžtas: 65 mm Skylių pjūklas: 127 mm |
| Greitis be apkrovos | | 0 – 1 400 min ⁻¹ | 0 – 450 min ⁻¹ |
| Bendras ilgis (su akumuliatoriaus kasete BL1860B) | | 434 mm | |
| Vardinė įtampa | | Nuol. sr. 18 V | |
| Grynasis svoris | | 3,2 – 3,5 kg | |

- Atliekame tęstinus tyrimus ir nuolatos tobuliname savo gaminius, todėl čia pateikiamos specifikacijos gali būti keičiamos be įspėjimo.
- Skirtingose šalyse specifikacijos gali skirtis.
- Svoris gali priklausyti nuo priedo (-ų), įskaitant akumuliatoriaus kasetę. Lengviausias ir sunkiausias deriniai pagal EPTA 2014 m. sausio mėn. procedūrą yra parodyti lentelėje.

Tinkama akumuliatoriaus kasetė ir (arba) įkroviklis

| | |
|------------------------|--|
| Akumuliatoriaus kasetė | BL1815N / BL1820B / BL1830B / BL1840B / BL1850B / BL1860B |
| Įkroviklis | DC18RC / DC18RD / DC18RE / DC18SD / DC18SE / DC18SF / DC18SH |

- Atsižvelgiant į gyvenamosios vietos regioną, kai kurios pirmiau nurodytos akumuliatoriaus kasetės ir įkrovikliai gali būti neprieinami.

⚠️ ĮSPĖJIMAS: Naudokite tik akumuliatoriaus kasetes ir įkroviklius, kurie nurodyti anksčiau. Naudojant bet kurias kitas akumuliatoriaus kasetes ir įkroviklius, gali kilti sužeidimo ir gaisro pavojus.

Numatytoji naudojimo paskirtis

Šis įrenginys skirtas medienai, metalui ir plastikui gręžti.

Triukšmas

Įprastas triukšmo A lygis, nustatytas pagal EN62841-2-1:
Garso slėgio lygis (L_{pA}): 83 dB (A)
Garso galios lygis (L_{WA}): 94 dB (A)
Paklaida (K): 3 dB (A)

PASTABA: Paskelbta (-os) triukšmo reikšmė (-ės) nustatyta (-os) pagal standartinį testavimo metodą ir ji galima naudoti vienam įrankiui palyginti su kitu.

PASTABA: Paskelbta (-os) triukšmo reikšmė (-ės) taip pat gali būti naudojama (-os) norint preliminariai įvertinti triukšmo poveikį.

⚠️ ĮSPĖJIMAS: Dėvėkite ausų apsaugą.

⚠️ ĮSPĖJIMAS: Faktiškai naudojant elektrinį įrankį, keliamo triukšmo dydis gali skirtis nuo paskelbtos (-ų) reikšmės (-ių), priklausomai nuo būdų, kuriais yra naudojamas šis įrankis, ir ypač nuo to, kokio tipo ruošinys apdirbamas.

⚠️ ĮSPĖJIMAS: Siekdami apsaugoti operatorių, būtina įvertinkite saugos priemones, remdamiesi vibracijos poveikio įvertinimu esant faktinėms naudojimo sąlygoms (atsižvelgdami į visas darbo ciklo dalis, pavyzdžiui, ne tik kiek laiko įrankis veikia, bet ir kiek kartų jis yra išjungiamas bei kai jis veikia be apkrovų).

Vibracija

Vibracijos bendroji vertė (trašio vektorius suma) nustatyta pagal EN62841-2-1 standartą:
Darbo režimas: metalo gręžimas
Vibracijos emisija (a_{hD}): 2,5 m/s² arba mažiau
Paklaida (K): 1,5 m/s²

PASTABA: Paskelbta (-os) vibracijos bendroji (-osios) reikšmė (-ės) nustatyta (-os) pagal standartinį testavimo metodą ir ji galima naudoti vienam įrankiui palyginti su kitu.

PASTABA: Paskelbta (-os) vibracijos bendroji (-osios) reikšmė (-ės) taip pat gali būti naudojama (-os) norint preliminariai įvertinti vibracijos poveikį.

⚠️ ĮSPĖJIMAS: Faktiškai naudojant elektrinį įrankį, keliamos vibracijos dydis gali skirtis nuo paskelbtos (-ų) reikšmės (-ių), priklausomai nuo būdų, kuriais yra naudojamas šis įrankis, ir ypač nuo to, kokio tipo ruošinys apdirbamas.

⚠️ ĮSPĖJIMAS: Siekdami apsaugoti operatorių, būtina įvertinkite saugos priemones, remdamiesi vibracijos poveikio įvertinimu esant faktinėms naudojimo sąlygoms (atsižvelgdami į visas darbo ciklo dalis, pavyzdžiui, ne tik kiek laiko įrankis veikia, bet ir kiek kartų jis yra išjungiamas bei kai jis veikia be apkrovų).

EB atitikties deklaracija

Tik Europos šalis

EB atitikties deklaracija yra pridedama kaip šio instrukcijų vadovo A priedas.

SAUGOS ĮSPĖJIMAI

Bendrieji įspėjimai dirbant elektriniais įrankiais

▲ ĮSPĖJIMAS: Perskaitykite visus saugos įspėjimus, instrukcijas, iliustracijas ir techninius duomenis, pateiktus kartu su šiuo elektriniu įrankiu. Nesilaikant visų toliau išvardytų instrukcijų galima patirti elektros smūgį, gali kilti gaisras ir (arba) galima sunkiai susižaloti.

Išsaugokite visus įspėjimus ir instrukcijas, kad galėtumėte jas peržiūrėti ateityje.

Terminas „elektrinis įrankis“ pateiktuose įspėjimuose reiškia į maitinimo tinklą jungiamą (laidinį) elektrinį įrankį arba akumuliatoriaus maitinamą (belaidį) elektrinį įrankį.

Saugos įspėjimai dėl akumuliatorinio grąžto naudojimo

Visų darbų saugos instrukcijos

- Naudokite papildomą (-as) rankeną (-as).**
Nesuvaldžius įrankio, galima susižeisti.
- Laikykite elektrinį įrankį už izoliuotų paviršių.** Jei pjovimo antgalis gali paliesti nematomus laidus. Pjovimo antgaliai prisilietus prie laido, kuriuo teka elektros srovė, įtampa gali būti perduota neizoliuotoms metalinėms elektrinio įrankio dalims ir operatorius gali gauti elektros smūgį.
- Būtinai įsitinkinkite, kad tvirtai stovite.** Jei naudojate įrankį aukštai, įsitinkinkite, ar apačioje nėra žmonių.
- Tvirtai laikykite įrenginį.**
- Laikykite rankas toliau nuo sukamųjų dalių.** Nepalikite veikiančio įrankio. Naudokite įrankį tik laikydami rankomis.
- Nelieskite grąžto arba ruošinio iškart po naudojimo;** jie gali būti itin karšti ir gali nudeginti odą.
- Kai kuriose medžiagose esama cheminių medžiagų, kurios gali būti nuodingos.** Saugokitės, kad neįkvėptumėte dulkių ir nesilieptumėte oda. Laikykitės medžiagų tiekėjo saugos duomenų.
- Jei grąžtas neatsilaisvina net atidarius žiotis, ištraukite jį replėmis.** Šiuo atveju traukdami grąžtą rankomis galite susižeisti į aštrų kraštą.
- Jeigu su įrankiu kas nors yra negerai, pavyzdžiui, girdisi neįprastų garsų, nedelsdami nutraukite darbą su įrankiu ir kreipkitės į artimiausią „Makita“ techninės priežiūros centrą dėl remonto.**
- Prieš dirbdami įsitinkinkite, kad žemėje nėra jokio užkasto daikto, pavyzdžiui, elektros vamzdžio, vandens vamzdžio arba dujų vamzdžio.** Kitaip įrankis gali juos paliesti ir sukelti elektros smūgį, elektros nuotėkį ar dujų nuotėkį.

Saugos nurodymai, kai naudojate grąžto antgalius

- Niekada nenaudokite grąžto antgalio didesniu greičiu, nei maksimalus vardinis greitis.** Naudojant didesniu greičiu, antgalis gali sulinkti, jeigu suksis laisvai neliesdamas ruošinio, ir gali lemti sužalojimą.
- Visada pradėkite gręžti mažesniu greičiu ir antgaliai liečiant ruošinį.** Naudojant didesniu greičiu, antgalis gali sulinkti, jeigu suksis laisvai neliesdamas ruošinio, ir gali lemti sužalojimą.
- Spauskite tik tiesia linija su antgaliumi ir ne per daug stipriai.** Antgaliai gali sulinkti ir lūžti arba gali būti prarastas valdymas, o tai gali lemti sužalojimą.

SAUGOKITE ŠIAS INSTRUKCIJAS.

▲ ĮSPĖJIMAS: NELEISKITE, kad patogumas ir gaminio pažinimas (įgyjamas pakartotinai naudojant) susilpnintų griežtą saugos taisyklių, taikytinų šiam gaminiui, laikymąsi. Dėl NETINKAMO NAUDOJIMO arba saugos taisyklių, kurios pateiktos šioje instrukcijoje, nesilaikymo galima rimtai susižeisti.

Svarbios saugos instrukcijos, taikomos akumuliatoriaus kasetei

- Prieš naudodami akumuliatoriaus kasetę, perskaitykite visas instrukcijas ir perspėjimus ant (1) akumuliatorių įkroviklio, (2) akumuliatorių ir (3) akumuliatorių naudojančio gaminio.**
- Neardykite ir negadinkite akumuliatoriaus kasetės.** Dėl to ji gali užsidegti, per daug įkaisti arba sprogti.
- Jei įrankio darbo laikas žymiai sutrumpėjo, nedelsdami nutraukite darbą su įrankiu.** Tai gali kelti perkaitimo, nudegimų ar net sprogmų pavojų.
- Jei elektrolitas pateko į akis, plaukite jas tyru vandeniu ir nedelsdami kreipkitės į gydytoją.** Gali kilti regėjimo praradimo pavojus.
- Neužtrumpinkite akumuliatoriaus kasetės:**
 - Nelieskite kontaktų degiomis medžiagomis.**
 - Venkite laikyti akumuliatoriaus kasetę kartu su kitais metaliniais daiktais, pavyzdžiui, vinimis, monetomis ir pan.**
 - Saugokite akumuliatoriaus kasetę nuo vandens ir lietaus.**Trumpasis jungimas akumuliatoriuje gali sukelti stiprią srovę, perkaitimą, galimus nudegimus ar net akumuliatoriaus gedimą.
- Nelaikykite ir nenaudokite įrankio ir akumuliatoriaus kasetės vietose, kur temperatūra gali pasiekti ar viršyti 50 °C (122 °F).**
- Nedeginkite akumuliatoriaus kasetės, net jei yra stipriai pažeista ar visiškai susidėvėjusi.** Ugnyje akumuliatoriaus kasetė gali sprogti.
- Akumuliatoriaus kasetės nekalkite, nepjausykite ir nemėtykite ir taip pat į ją netrankykite kietu daiktu.** Taip elgiantis, ji gali užsidegti, per daug įkaisti arba sprogti.
- Nenaudokite pažeisto akumuliatoriaus.**

- Įdėtoms ličio jonų akumuliatoriams taikomi Pavojingų prekių teisės akto reikalavimai. Komercinis transportas, pvz., trečiųjų šalių, prekių vežimo atstovų, turi laikytis specialaus reikalavimo ant pakuotės ir ženklavimo. Norėdami paruošti siųstiną prekę, pasitarkite su pavojingų medžiagų specialistu. Be to, laikykitės galimai išsamesnių nacionalinių reglamentų. Užklijuokite juosta arba padenkite atvirus kontaktus ir supakuokite akumuliatorių taip, kad ji pakuotėje nejudėtų.
- Kai išmetate akumuliatoriaus kasetę, išimkite ją iš įrankio ir išmeskite saugioje vietoje. Vadovaukitės vietos reglamentais dėl akumuliatorių išmetimo.
- Baterijas naudokite tik su „Makita“ nurodytais gaminiais. Baterijas įdėjus į netinkamus gaminius gali kilti gaisras, gaminyje pernelyg kaisti, kilti sproginimas arba pratekėti elektrolitas.
- Jei įrankis bus ilgą laiką nenaudojamas, akumuliatorių būtina išimti iš įrankio.
- Darbo metu ir po akumuliatoriaus kasetę gali būti įkaitusi ir dėl to nudeginti. Imdami akumuliatoriaus kasetes, būkite atsargūs.
- Tuoju pat po naudojimo nelieskite įrankio gnybtų, nes jie gali būti įkaitę tiek, kad nudegins.
- Nelieskite, kad į akumuliatoriaus kasetės gnybtus, angas ir griovelius patektų drožlių, dulkių ar žemių. Dėl to įrankis ar akumuliatoriaus kasetė gali imti prastai veikti ar sugesti.
- Jeigu įrankis nėra pritaikytas naudoti šalia aukštos įtampos elektros linijų, akumuliatoriaus kasetės nenaudokite šalia aukštos įtampos elektros linijų. Dėl to gali sutrikti įrankio ar akumuliatoriaus kasetės veikimas arba jie gali sugesti.
- Laikykite akumuliatorių vaikams nepasiekiamoje vietoje.

SAUGOKITE ŠIAS INSTRUKCIJAS.

⚠ PERSPĖJIMAS: Naudokite tik originalų „Makita“ akumuliatorių. Neoriginalaus „Makita“ arba pakeisto akumuliatoriaus naudojimas gali nulemti gaisrą, asmens sužalojimą ir pažeidimą. Tai taip pat panaikina „Makita“ suteikiamą „Makita“ įrankio ir įkroviklio garantiją.

Patarimai, ką daryti, kad akumuliatorius veiktų kuo ilgiau

- Pakraukite akumuliatoriaus kasetę prieš ją visiškai išsikraunant. Visuomet nustokite naudoti įrankį ir pakraukite akumuliatoriaus kasetę, kai pastebite, kad įrankio galia sumažėjo.
- Niekada nekraukite iki galo įkrautos akumuliatoriaus kasetės. Perkraunant trumpėja akumuliatoriaus eksploatacijos laikas.
- Akumuliatoriaus kasetę kraukite esant kambario temperatūrai 10 - 40 °C. Prieš pradėdami krauti, leiskite įkaitusiai akumuliatoriaus kasetei atvėsti.
- Kai akumuliatoriaus kasetės nenaudojate, ją išimkite iš įrankio ar įkroviklio.
- Įkraukite akumuliatoriaus kasetę, jei jos nenaudojate ilgą laiką (ilgiau nei šešis mėnesius).

VEIKIMO APRAŠYMAS

⚠ PERSPĖJIMAS: Prieš pradėdami reguliuoti arba tikrinti įrankio veikimą, visuomet būtinai išjunkite įrankį ir išimkite akumuliatoriaus kasetę.

Akumuliatoriaus kasetės uždėjimas ir nuėmimas

⚠ PERSPĖJIMAS: Prieš įdėdami arba išimdami akumuliatoriaus kasetę, visada išjunkite įrankį.

⚠ PERSPĖJIMAS: Įdėdami arba išimdami akumuliatoriaus kasetę, tvirtai laikykite įrankį ir akumuliatoriaus kasetę. Jeigu įrankį ir akumuliatoriaus kasetę laikysite netvirtai, jie gali išslįsti iš jūsų rankų, todėl įrankis ir akumuliatoriaus kasetė gali būti sugadinti, o naudotojas sužalotas.

► **Pav.1:** 1. Raudonas sandariklis (indikatorius) 2. Mygtukas 3. Akumuliatoriaus kasetė

Jei norite išimti akumuliatoriaus kasetę, ištraukite ją iš įrankio, stumdami mygtuką, esantį kasetės priekyje.

Jei norite įdėti akumuliatoriaus kasetę, sulygiuokite liežuvelį ant akumuliatoriaus kasetės su grioveliu korpuse ir įstumkite į jai skirtą vietą. Įdėkite iki galo, kol spragtelėdama užsifiksuos. Jeigu matote raudoną sandariklį (indikatorių) viršutinėje mygtuko pusėje, ji nėra visiškai užfiksuota.

⚠ PERSPĖJIMAS: Akumuliatoriaus kasetę visada įkiškite iki galo, kol nebematysite raudono sandariklio (indikatoriaus) Priešingu atveju ji gali atsitiktinai iškristi iš įrankio ir sužeisti jus arba aplinkinius.

⚠ PERSPĖJIMAS: Nekiškite akumuliatoriaus kasetės jėga. Jeigu kasetė sunkiai lenda, ją kišate netinkamai.




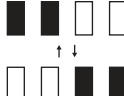
Likusios akumuliatoriaus galios rodymas

Tik akumuliatoriaus kasetėms su indikatoriumi

► **Pav.2:** 1. Indikatorijų lemputės 2. Tikrinimo mygtukas

Paspauskite akumuliatoriaus kasetės tikrinimo mygtuką, kad būtų rodoma likusi akumuliatoriaus energija. Maždaug trims sekundėms užsideds indikatorijų lemputės.

| Indikatorijų lemputės | | | Likusi galia |
|-----------------------|-----------|--------|--------------------------|
| Šviečia | Nešviečia | Blyksi | |
| ■ | □ | ▧ | 75 - 100 % |
| ■ | ■ | □ | 50 - 75 % |
| ■ | □ | □ | 25 - 50 % |
| ■ | □ | □ | 0 - 25 % |
| ▧ | □ | □ | Įkraukite akumuliatorių. |

| Indikatorių lemputės | | | Likusi galia |
|---|---|--|--|
|  Šviečia |  Nešviečia |  Blyksi | |
|  | | | Galimai įvyko akumuliatoriaus veikimo triktis. |

PASTABA: Rodmuo gali šiek tiek skirtis nuo faktinės energijos lygio – tai priklauso nuo naudojimo sąlygų ir aplinkos temperatūros.

PASTABA: Veikiant akumuliatoriaus apsaugos sistemai ims mirksėti pirmoji (toliausiai kairėje) indikatorius lemputė.

Įrankio / akumuliatoriaus apsaugos sistema

Įrankyje įrengta įrankio / akumuliatoriaus apsaugos sistema. Ši sistema automatiškai atjungia variklio maitinimą, kad įrankis ir akumuliatorius ilgiau veiktų. Įrankis automatiškai išsijungs darbo metu esant vienai iš toliau nurodytų įrankio arba akumuliatoriaus darbo sąlygų:

Apsauga nuo perkrovos

Kai įrankis / akumuliatorius naudojamas taip, kad neįprastai padidėja elektros srovė, įrankis automatiškai išsijungia. Tokiu atveju atleiskite įrankio gaiduką ir nutraukite darbą, dėl kurio kilo įrankio perkrova. Tada vėl įjunkite įrankį.

Apsauga nuo perkaitimo

Jeigu įrankis / akumuliatorius perkaista, įrankis automatiškai išsijungia ir pradeda mirksėti lemputė. Tokiu atveju palaukite, kol įrankis atvės, paskui vėl jį įjunkite.

Apsauga nuo visiško išsekimo

Kai akumuliatoriaus įkrovos lygis nepakankamas, įrankis automatiškai išsijungia. Tokiu atveju ištraukite akumuliatorių iš įrankio ir įkraukite jį.

Jungiklio veikimas

▲ PERSPĖJIMAS: Prieš montuodami akumuliatoriaus kasetę įrankyje, visuomet patikrinkite, ar gaidukas tinkamai veikia ir atleistas grįžta į išjungimo padėtį „OFF“.

► **Pav.3:** 1. Gaidukas

Norėdami paleisti įrankį, paspauskite gaiduką. Stipriai spaudžiant gaiduką, įrankio veikimo greitis didėja. Norėdami sustabdyti, gaiduką atleiskite.

PASTABA: Laikant nuspaudus gaiduką maždaug 6 minutes, įrankis automatiškai išsijungia.

Priekinės lemputės uždegimas

▲ PERSPĖJIMAS: Nežiūrėkite tiesiai į šviesą arba šviesos šaltinį.

► **Pav.4:** 1. Lemputė

Paspauskite gaiduką, kad užsidegtų lemputė. Lemputė švies toli, kol spausite gaiduką. Atleidus jungiklio gaiduką, lemputė užgesa maždaug po 10 sekundžių.

PASTABA: Kai įrankis perkaista, jis automatiškai išsijungia, pradeda mirksėti lemputė. Tokiu atveju atleiskite gaiduką. Po 1 minutės lemputė išsijungs.

PASTABA: Purvą nuo lempos objektyvo nuvalykite sausu skudurėliu. Būkite atsargūs, kad nesubraižytumėte lempos objektyvo, nes pablogės apšvietimas.

Atbulinės eigos jungimas

▲ PERSPĖJIMAS: Prieš naudodami visuomet patikrinkite sukimosi kryptį.

▲ PERSPĖJIMAS: Atbulinės eigos jungiklį naudokite tik įrankiui visiškai sustojus. Jei keisite sukimosi kryptį prieš įrankiui sustojant, galite sugadinti įrankį.

▲ PERSPĖJIMAS: Kai nenaudojate įrankio, visuomet nustatykite atbulinės eigos jungiklio svirtelę į neutralią padėtį.

Šis įrankis turi atbulinės eigos jungiklį sukimosi kryptį keisti. Nuspauskite atbulinės eigos jungiklio svirtelę iš A pusės, kad suktysi pagal laikrodžio rodyklę, arba iš B pusės, kad suktysi prieš laikrodžio rodyklę.

Kai atbulinės eigos svirtelė yra nustatyta į neutralią padėtį, svirtelės patraukti negalima.

► **Pav.5:** 1. Atbulinės eigos svirtelė

Greičio keitimas

PASTABA: Greičio keitimo rankenėlę naudokite tik įrankiui visiškai sustojus. Keičiant įrankio greitį dar jam nesustojus, galima pažeisti įrankį.

PASTABA: Visuomet atidžiai nustatykite greičio keitimo svirtelę iki galo į tinkamą padėtį. Jei įrankį valdote greičio keitimo svirtelė, nustatyta per vidurį tarp „1“ ir „2“ padėčių, galite sugadinti įrankį.

PASTABA: Jei naudojant didelio greičio režimu sukimosi greitis žymiai sumažėja, sustabdykite įrankį ir nustatykite mažo greičio režimą. Antraip gali įvykti variklio perkrova, todėl gali kilti gedimas arba gaisras.

Prieš įjungdami įrankį, greičio keitimo svirtelė galite pasirinkti dvių greičių greitį.

Norėdami pakeisti greitį, pasukite greičio keitimo svirtelę taip, kad rodyklė rodytų „1“ (mažo greičio režimas) arba „2“ (didelio greičio režimas) padėtį.

► **Pav.6:** 1. Rodyklė 2. Greičio keitimo rankenėlė

Elektroninė funkcija

Elektrinis stabdiklis

Šiame įrankyje įrengtas elektrinis stabdiklis. Jeigu atleidus gaiduką įrankis nuolat greitai nesustoja veikti, nugabenkite įrankį į „Makita“ priežiūros centrą techninei apžiūrai atlikti.

Tolygaus įjungimo funkcija

Ši funkcija leidžia sklandžiai paleisti įrankį, apriboja sukimo momentą paleidžiant.

SURINKIMAS

▲ PERSPĖJIMAS: Prieš darydami ką nors įrankiui visada patikrinkite, ar įrenginys išjungtas, o akumuliatorių kasetė – nuimta.

Šoninės rankenos (išorinės rankenos) montavimas

▲ PERSPĖJIMAS: Prieš naudodami visuomet įsitikinkite, ar šoninė rankena yra patikimai uždėta.

Patikimai priveržkite šoninę rankeną ant įrankio. Šoninę rankeną galima montuoti prie bet kurio įrankio šono, kuris jums yra patogesnis.

► **Pav.7:** 1. Šoninė rankena

Rakto laikiklio montavimas

(Priklauso nuo šalies)

▲ PERSPĖJIMAS: Prieš naudodami visuomet įsitikinkite, kad rakto laikiklis yra patikimai uždėtas.

Varžtais patikimai priveržkite rakto laikiklį ant įrankio. Tada įdėkite į vietą griebtuvo raktą.

► **Pav.8:** 1. Rakto laikiklis 2. Varžtas 3. Griebtuvo raktas

Gražtų galvucių dėjimas ir išėmimas

Jei norite įdėti gražto galvutę, dėkite ją į kumštelinį griebtuvą tiek giliai, kiek lenda. Ranka priveržkite kumštelinį griebtuvą. Įkiškite kumštelinio griebtuvo raktą į kiekvieną iš trijų skylių ir priveržkite pagal laikrodžio rodyklę. Būtinai vienodai priveržkite visas tris kumštelinio griebtuvo skyles.

Jei norite išimti gražto galvutę, pasukite kumštelinio griebtuvo raktą prieš laikrodžio rodyklę tik vienoje skylyje, tada ranka atlaisvinkite kumštelinį griebtuvą.

► **Pav.9:** 1. Griebtuvo raktas

Pasinaudoję gražinkite griebtuvo raktą į įrankyje esantį rakto laikiklį, kaip parodyta.

► **Pav.10:** 1. Rakto laikiklis

Kablys

▲ PERSPĖJIMAS: Prieš pakabindami įrankį ant kablo, visada ištraukite iš jo akumuliatorių.

▲ PERSPĖJIMAS: Niekada nekabinkite įrankio labai aukštai arba nedėkite ant paviršiaus, kuris gali būti nestabilus.

Kablys yra patogus, kai norite trumpam pakabinti įrankį. Norėdami naudoti kablį, tiesiog pakelkite ir atverskite kablį, kad jis spragtelėdamas užsifikuotų. Kai jo nenaudojate, visada lenkite kablį, kol jis spragtelės, užfiksuoja jį nuleista padėtimi.

► **Pav.11:** 1. Kablys

► **Pav.12**

Saugos dirželio (diržo) tvirtinimas prie kablo

▲ PERSPĖJIMAS: Nenaudokite sugadintų kablų ir varžtų. Prieš naudojimą visada patikrinkite, ar nėra pažeidimų, įtrūkimų arba deformacijos, bei įsitikinkite, kad varžtai priveržti.

▲ PERSPĖJIMAS: Įsitikinkite, kad kablys tinkamai pritvirtintas varžtais.

▲ PERSPĖJIMAS: Kai kabinate įrankį, nedėkite arba neišimkite jokio priedo. Jei varžtai nebus priveržti, įrankis gali nukristi.

▲ PERSPĖJIMAS: Visuomet naudokite fiksavimo karabiną (atkabinamą keliais veiksmiais ir turintį varžtinį fiksatorių), o saugos dirželį (diržą) pritvirtinkite prie dvigubą kilpą sudarančios kablo dalies. Netinkamai pritvirtinus, įrankis gali iškristi iš kablo ir sužeisti žmones.

Kablys taip pat naudojamas saugos dirželiui (diržui) prijungti. Žiūrėkite, kad saugos dirželį (diržą) prijungtumėte prie dvigubą kilpą sudarančios kablo dalies.

► **Pav.13:** 1. Dvigubą kilpą sudaranti kablo dalis 2. Saugos dirželis (diržas) 3. Fiksavimo karabinas (atkabinamas keliais veiksmiais ir turintis varžtinį fiksatorių)

NAUDOJIMAS

▲ PERSPĖJIMAS: Visuomet iki galo įkiškite akumuliatoriaus kasetę, kad tinkamai užsifikuotų. Jeigu matote raudoną indikatorių viršutinėje mygtuko pusėje, ji nėra visiškai užfiksuoata. Įstumkite ją iki galo tol, kol nebematysite raudono indikatoriaus. Priešingu atveju ji gali atsitiktinai iškristi iš įrankio, sužeisti jus arba aplinkinius.

▲ PERSPĖJIMAS: Jeigu greitis nepaprastai smarkiai sumažėja, sumažinkite apkrovą arba išjunkite įrankį, kad jis nebūtų sugadintas.

▲ PERSPĖJIMAS: Naudojamą įrankį laikykite tvirtai.

Įrankio laikymas

▲ PERSPĖJIMAS: Tai yra galingas įrankis. Gaunamas didelis sukimo momentas, todėl svarbu, kad įrankį patikimai laikytumėte ir tinkamai suimtumėte.

Viena ranka suimkite rankeną, kita ranka – priekinę rankeną.

► **Pav.14:** 1. Priekinė rankena 2. Rankena

Gręžimas

Medienos gręžimas

Kai gręžiate medieną, geriausi rezultatai gaunami su gražtais, turinčiais pagrindinį varžtą. Kreipiamasis sraigtas palengvina gręžimą, įtraukdamas gražto galvutę į ruošinį.

Metalo gręžimas

Kad grąžto galvutė neslystų, kai pradėsite gręžti skylę, įmuškite duobutę centro muškliu ir plaktuku numatomoje gręžimo vietoje. Pridėkite grąžto galvutės galą prie judumo ir pradėkite gręžti.

Gręždami metalus, naudokite pjovimo tepalą. Išimtyms – geležis ir žalvaris, kuriuos reikia gręžti sausiai.

▲PERSPĖJIMAS: Per didelis įrankio spaudimas nepagreitins gręžimo. Iš tikrųjų dėl tokio spaudimo gali būti pažeista grąžto galvutė, pablogėti įrankio darbas ir sutrumpėti jo eksploataavimo trukmė.

▲PERSPĖJIMAS: Laikykite įrankį tvirtai ir atsargiai žiūrėkite, kada grąžto galvutė pradės gręžti ruošinį. Įrankį / grąžto galvutę veikia didelė sukamoji jėga, kai gręžiama skylė.

▲PERSPĖJIMAS: Įstrigusią grąžto galvutę galima ištraukti tiesiog atbulinės eigos jungikliį nustatant į atbulinės eigos padėtį. Tačiau įrankis gali grubiai judėti atgal, jei tvirtai nelaikysite įrankio.

▲PERSPĖJIMAS: Visada pritvirtinkite apdirbamus gaminius spaustuviuose arba panašiose prilaikymo prietaise.

▲PERSPĖJIMAS: Venkite gręžti medžiagas, kuriose jūsų manymu gali būti paslėptų vinių ar kitų daiktų, dėl kurių grąžtas gali sulinkti ar nulūžti.

▲PERSPĖJIMAS: Jei įrankis naudojamas tol, kol akumulatoriaus kasėtė išsikrauna, leiskite įrankiui pastovėti 15 minučių prieš tęsdami su kitu akumulatoriumi.

Saugos diržo (diržo) jungtis

▲Saugos įspėjimai naudojant aukštai Perskaitykite visus saugos įspėjimus ir nurodymus. Nepaisant įspėjimų ir nurodymų, galima sunkiai susižeisti.

1. Kai dirbate aukštai, įrankį visada laikykite pririštą. Maksimalus saugos diržo ilgis yra 2 m (6,5 pėd.). Didžiausias leistinas saugos dirželio (diržo) kritimo aukštis neturi viršyti 2 m (6,5 pėd.).
2. Naudokite tik šiam įrankio tipui tinkamus saugos diržus, skirtus bent 5,0 kg (11,0 sv.).
3. Netvirtinkite įrankio saugos diržo prie savęs ar ant judančių dalių. Įrankio saugos diržą tvirtinkite prie tvirtos konstrukcijos, kad jis išlaikytų numesto įrankio jėgas.
4. Prieš naudojimą įsitikinkite, kad saugos diržas yra tinkamai pritvirtintas kiekvienam gale.
5. Prieš kiekvieną naudojimą patikrinkite įrankį ir saugos diržą, ar nesugadinti ir tinkamai veikia (įskaitant audinį ir siūles). Jeigu sugadinti arba veikia netinkamai, nenaudokite.
6. Nevyniokite saugos diržų aplink ir neleiskite jiems liestis prie aštrių ar grubių kraštų.
7. Kitą saugos diržo galą pritvirtinkite ne darbo zonoje, kad krinantis įrankis būtų saugiai prilaikomas.

8. Pritvirtinkite saugos diržą taip, kad įrankis kritimo atveju judėtų tolyn nuo operatoriaus. Nukritę įrankiai supsis ant saugos diržo, todėl galima susižaloti arba prarasti pusiausvyrą.
9. Nenaudokite šalia judančių dalių ar veikiančių įrengimų. Jeigu nesilaikysite šio nurodymo, gali kilti sutraiškymo ar įsispainiojimo pavojus.
10. Neneškite įrankio, paėmę už tvirtinimo įtaiso arba saugos diržo.
11. Įrankį iš vienos rankos į kitą perimkite tik tada, kai galite tinkamai išlaikyti pusiausvyrą.
12. Netvirtinkite saugos diržų prie įrankio taip, kad apsaugai, jungikliai ar atlaisvinimo įtaisai negalėtų tinkamai veikti.
13. Stenkitės nesusipainioti saugos diržuose.
14. Saugos diržą laikykite kuo toliau nuo įrankio pjovimo vietos.
15. Naudokite kelių veiksmų ir varžtų tipo karabinus. Nenaudokite vieno veiksmo spyruoklinio užsegimo karabino.
16. Jeigu įrankis numetamas, jis turi būti pažymėtas ir pašalintas iš eksploatacijos; jį taip pat turi patikrinti „Makita“ gamykla ar įgaliotasis aptarnavimo centras.

TECHNINĖ PRIEŽIŪRA

▲PERSPĖJIMAS: Visuomet įsitikinkite, ar įrankis yra išjungtas ir akumulatoriaus kasėtė yra nuimta prieš atlikdami apžiūrą ir priežiūrą.

PASTABA: Niekada nenaudokite gazolino, benzino, tirpiklio, spirito arba panašių medžiagų. Gali atsirasti išblukimų, deformacijų arba įtrūkimų.

Kad gaminys būtų SAUGUS ir PATIKIMAS, jį taisyti, apžiūrėti ar vykdyti bet kokią kitą priežiūrą ar derinimą turi įgaliotasis kompanijos „Makita“ techninės priežiūros centras; reikia naudoti tik kompanijos „Makita“ pagamintas atsargines dalis.

PASIRENKAMI PRIEDAI

▲PERSPĖJIMAS: Šiuos papildomus priedus arba įtaisyti rekomenduojama naudoti su šioje instrukcijoje nurodytu „Makita“ bendrovės įrankiu. Naudojant bet kokius kitus papildomus priedus arba įtaisyti, gali kilti pavojus sužeisti žmones. Naudokite tik nurodytam tikslui skirtus papildomus priedus arba įtaisyti.

Jeigu norite daugiau sužinoti apie tuos priedus, kreipkitės į artimiausią „Makita“ techninės priežiūros centrą.

- Grąžtai
- Originalus „Makita“ akumulatorius ir įkroviklis

PASTABA: Kai kurie sąraše esantys priedai gali būti pateikti įrankio pakuotėje kaip standartiniai priedai. Jie įvairiose šalyse gali skirtis.

TEHNILISED ANDMED

| Mudel: | | DDA450 | |
|--|-------|---|---|
| Käigukiirus | | Kiire | Aeglane |
| Puurimisvõimsus | Teras | 13 mm | |
| | Puit | Lusikpuuri otsak: 38 mm Isepuuriv otsak: 50 mm Augusaag: 101 mm | Lusikpuuri otsak: 38 mm Isepuuriv otsak: 65 mm Augusaag: 127 mm |
| Koormuseta kiirus | | 0 – 1 400 min ⁻¹ | 0 – 450 min ⁻¹ |
| Kogupikkus (koos akukassetiga BL1860B) | | 434 mm | |
| Nimipinge | | Alalisvool 18 V | |
| Netomass | | 3,2 – 3,5 kg | |

- Meie pideva uuringu- ja arendusprogrammi tõttu võidakse tehnilisi andmeid muuta ilma sellest ette teatamata.
- Tehnilised andmed võivad riigiti erineda.
- Kaal võib erineda olenevalt lisaseadistest, kaasa arvatud akukassetist. Kergeim ja raskeim kombinatsioon EPTA-protseduuri 01/2014 kohaselt on toodud tabelis.

Sobiv akukasset ja laadija

| | |
|-----------|--|
| Akukasset | BL1815N / BL1820B / BL1830B / BL1840B / BL1850B / BL1860B |
| Laadija | DC18RC / DC18RD / DC18RE / DC18SD / DC18SE / DC18SF / DC18SH |

- Mõned eespool loetletud akukassetid ja -laadijad ei pruugi olla teie riigis saadaval.

⚠ HOIATUS: Kasutage ainult ülalpool loetletud akukasseid ja laadijaid. Muude akukassetide ja laadijate kasutamine võib tekitada vigastusi ja/või tulekahju.

Kavandatud kasutus

See tööriist on mõeldud puidu, metalli ja plasti puurimiseks.

Müra

Tüüpiline A-korrigeeritud müratase, määratud standardi EN62841-2-1 kohaselt:

Helirõhutase (L_{pA}): 83 dB (A)

Helivõimsuse tase (L_{WA}): 94 dB (A)

Määramatus (K): 3 dB (A)

MÄRKUS: Deklareeritud müra väärtust (väärtuseid) on mõõdetud kooskõlas standardse katsemeetodiga ning seda võib kasutada ühe seadme võrdlemiseks teisega.

MÄRKUS: Deklareeritud müra väärtust (väärtuseid) võib kasutada ka mürataseme esmaseks hindamiseks.

⚠ HOIATUS: Kasutage kõrvakaitsmeid.

⚠ HOIATUS: Müratase võib elektritööriista tegelikkuses kasutamise ajal erineda deklareeritud väärtus(t)est olenevalt tööriista kasutusviisidest ja eriti töödeldavast toorikust.

⚠ HOIATUS: Rakendage operaatori kaitsmiseks kindlasti piisavaid ohutusabinõusid, mis põhinevad hinnangulisel müratasemel tegelikus tööolukorras (võttes arvesse tööperioodi kõiki osasid, näiteks korrad, kui seade lülitatakse välja ja seade töötab tühikäigul, lisaks tööajale).

Vibratsioon

Vibratsiooni koguväärtus (kolmeteljeliste vektorite summa) määratud standardi EN62841-2-1 kohaselt:

Töörežiim: metalli puurimine

Vibratsiooniindeks ($a_{h,D}$): 2,5 m/s² või vähem

Määramatus (K): 1,5 m/s²

MÄRKUS: Deklareeritud vibratsiooni koguväärtust (-väärtuseid) on mõõdetud kooskõlas standardse katsemeetodiga ning seda võib kasutada ühe seadme võrdlemiseks teisega.

MÄRKUS: Deklareeritud vibratsiooni koguväärtust (-väärtuseid) võib kasutada ka mürataseme esmaseks hindamiseks.

⚠ HOIATUS: Vibratsioonitase võib elektritööriista tegelikkuses kasutamise ajal erineda deklareeritud väärtus(t)est olenevalt tööriista kasutusviisidest ja eriti töödeldavast toorikust.

⚠ HOIATUS: Rakendage operaatori kaitsmiseks kindlasti piisavaid ohutusabinõusid, mis põhinevad hinnangulisel müratasemel tegelikus tööolukorras (võttes arvesse tööperioodi kõiki osasid, näiteks korrad, kui seade lülitatakse välja ja seade töötab tühikäigul, lisaks tööajale).

EÜ vastavusdeklaratsioon

Ainult Euroopa riikide puhul

EÜ vastavusdeklaratsioon sisaldub käesoleva juhendi Lisas A.

OHUTUSHOIATUSED

Üldised elektritööriistade ohutushoiatused

▲HOIATUS: Lugege läbi kõik selle elektritööriistaga kaasas olevad ohutushoiatused, juhised, joonised ja tehnilised andmed. Järgnevate juhiste eiramine võib põhjustada elektrilöögi, süttimise ja/või raske kehavigastuse.

Hoidke edaspidisteks viideteks alles kõik hoiatused ja juhtnöörid.

Hoiatuses kasutatud termini „elektritööriist“ all peetakse silmas elektriga töötavaid (juhtmega) elektritööriistu või akuga töötavaid (juhtmeta) elektritööriistu.

Juhtmeta puurtrelli ohutusnõuded

Kõikide toimingute ohutusjuhised

1. **Kasutage lisakäepidet/-käepidemeid.** Kontrolli puudumine võib põhjustada inimestele vigastusi.
2. **Hoidke elektritööriista töö ajal isoleeritud haardepindadest, kui lõikeriist võib kokku puutuda peidatud juhtmetega.** Voolu all oleva juhtmega kokkupuutesse sattunud lõiketera võib pingestada elektritööriista metalloosi ning põhjustada kasutajale elektrilöögi.
3. **Veenduge alati, et teie jalgealune oleks kindel.** Kui töotate kõrguses, siis jälgige, et teist allpool ei viibiks inimesi.
4. **Hoidke tööriista kindlalt kinni.**
5. **Hoidke käed eemal pöörlevatest osadest.**
6. **Ärge jätke tööriista käima.** Käivitage tööriist ainult siis, kui hoiate seda käes.
7. **Ärge puutuge puuri või töödeldavat detaili vahetult peale puurimist; need võivad olla väga kuumad ja põhjustada põletushaavu.**
8. **Mõned materjalid võivad sisaldada mürgiseid aineid.** Võtke meetmed tolmu sissehingamise ja nahaga kokkupuute vältimiseks. Järgige materjali tarnija ohustusteavet.
9. **Kui puuri ei saa lödvemaks lasta, isegi kui haaratsid avate, kasutage selle väljatõmbamiseks tange.** Sellisel juhul võib puuri terav serv tekitada selle käega väljatõmbamisel vigastusi.
10. **Kui tööriistaga on midagi valesti, nt ebaharilikud helid töötamisel, lõpetage kohe töö ja pöörduge parandamiseks kohaliku Makita teeninduskeskuse poole.**
11. **Enne töötamist veenduge, et maapinnas ei oleks selliseid varjatud esemeid nagu elektri-, vee- või gaasitoru.** Muidu võib lõiketera nende vastu puutuda, mis võib põhjustada elektrilööki, elektri- või gaasileket.

Ohutusnõuded pikkade puuriotsakute kasutamisel

1. **Ärge kunagi töötaga tööriista puuriotsakul märgitud maksimaalsest kiirusest kiiremini.** Suuremal kiirusel võib vabalt töötav, töödeldava pinnaga mitte kokkupuutes olev otsak kõverduda ja põhjustada kehalisi vigastusi.

2. **Alustage puurimist alati madalamal kiirusel nii, et otsaku ots on kokkupuutes töödeldava pinnaga.** Suuremal kiirusel võib vabalt töötav, töödeldava pinnaga mitte kokkupuutes olev otsak kõverduda ja põhjustada kehalisi vigastusi.
3. **Avaldage survet ainult otsakule otse ja ärge kasutage liigset survet.** Otsakud võivad kõverduda ja põhjustada murdumist või kontrollikaotust ning tuua kaasa kehalisi vigastusi.

HOIDKE JUHEND ALLES.

▲HOIATUS: ÄRGE UNUSTAGE järgida toote ohutusnõudeid mugavuse või toote (korduskasutamise saavutatud) hea tundmise tõttu. **VALE KASUTUS** või kasutusjuhendi ohutuseeskirjade eiramine võib põhjustada tervisekahjustusi.

Akukassetiga seotud olulised ohutusjuhised

1. **Enne akukasetti kasutamist lugege (1) akulaadjal, (2) akul ja (3) seadmel olevad juhtnöörid ja hoiatused läbi.**
2. **Ärge võtke akukasetti lahti ega muutke seda.** See võib põhjustada tulekahju, liigset kuumust või plahvatusi.
3. **Kui tööaeg järsult lüheneb, siis lõpetage kohe kasutamine.** Edasise kasutamise tulemuseks võib olla ülekuumenemisoht, võimalikud põletused või isegi plahvatus.
4. **Kui elektrilööuti satub silma, siis loputage silma puhta veega ja pöörduge koheselt arsti poole.** Selline õnnetus võib põhjustada pimedaksjäämist.
5. **Ärge tekitage akukasettis lühist:**
 - (1) Ärge puutuge klemme elektrijuhtidega.
 - (2) Ärge hoidke akukasetti tööriistakassis koos metalliesemetega, nagu naelad, mündid jne.
 - (3) Ärge tehke akukasetti märjaks ega jätke seda vihma kätte.

Aku lühis võib põhjustada tugevat elektrivoolu, ülekuumenemist, põletusi ning ka seadet tõsiselt kahjustada.

6. **Ärge hoidke ega kasutage tööriista ja akukasetti kohtades, kus temperatuur võib tõusta üle 50 °C (122 °F).**
7. **Ärge põletage akukasetti isegi siis, kui see on saanud tõsiselt vigastada või on täiesti kuldunud.** Akukasett võib tules plahvatada.
8. **Ärge naelutage, lõigake, muljuge, visake akukasetti ega laske sel kukkuda, samuti ärge lööge selle pihta kõva esemega.** Selline tegevus võib põhjustada tulekahju, liigset kuumust või plahvatusi.
9. **Ärge kasutage kahjustatud akut.**
10. **Sisalduvatele liitium-ioonakudele võivad kohalduda ohtlike kaupade õigusaktide nõuded.** Kaubanduslikul transportimisel, näiteks kolmandate poolte või transpordiettevõtete poolt, tuleb järgida pakendil ja siltidel toodud erinõudeid. Transportimiseks ettevalmistamisel on vajalik pidada nõu ohtliku materjali ekspertidega. Samuti tuleb järgida võimalike riiklike regulatsioonide üksikasjalikumaid nõudeid. Katke teibiga või varjake avatud kontaktid ja pakendage aku selliselt, et see ei saaks pakendis liikuda.

11. Kasutuskõlbmatuks muutunud akukasseti kõrvaldamiseks eemaldage see tööriistast ja viige selleks ette nähtud kohta. Järgige kasutuskõlbmatuks muutunud aku kõrvaldamisel kohalikke eeskirju.
12. Kasutage akusid ainult Makita heaks kiidetud toodetega. Akude paigaldamine selleks mitte ettenähtud toodetele võib põhjustada süttimist, ülemäärast kuumust, plahvatamist või elektrolüüdi lekkimist.
13. Kui tööriista ei kasutata pika ajaperioodi jooksul, tuleb aku tööriistast eemaldada.
14. Kasutamise ajal ja pärast kasutamist võib akukassett kuumeneda, mis võib põhjustada põletusi või madala temperatuuri põletusi. Olge kuuma akukasseti kandmisel ettevaatlik.
15. Ärge puudutage tööriista klemmi kohe pärast kasutamist, sest see võib olla kuum ja põhjustada põletusi.
16. Hoidke akukasseti klemmid, avad ja sooned tükikestest, tolmust ja mullast puhtad. Muidu võib tööriist või akukassett halvasti töötada või puruneda.
17. Kui tööriist ei kannata kasutamist kõrgepingeliinide lähedal, ärge kasutage akukasseti kõrgepingeliinide lähedal. Muidu võib tööriist või akukassett puruneda või sellel tõrge tekkida.
18. Hoidke akut lastele kättesaamatult.

HOIDKE JUHEND ALLES.

⚠ETTEVAATUST: Kasutage ainult Makita originaalakusid. Mitte Makita originaalakude või muudetud akude kasutamine võib põhjustada akude süttimise, kehavigastuse ja kahjustuse. Samuti muudab see kehtetuks Makita tööriista ja laadija Makita garantii.

Vihjeid aku maksimaalse kasutusaja tagamise kohta

1. Laadige akukassetti enne selle täielikku tühjenemist. Kui märkate, et tööriist töötab väiksema võimsusega, peatage töö ja laadige akukassetti.
2. Ärge laadige täielikult laetud akukassetti. Ülelaadimine lühendab akude kasutusiga.
3. Laadige akukassetti toatemperatuuril 10 °C - 40 °C. Enne laadimist laske kuumenenud akukassetil maha jahtuda.
4. Kui te ei kasuta parajasti akukassetti, eemaldage see tööriistast või laadurist.
5. Kui te ei kasuta akukassetti kauem kui kuus kuud, laadige see.

FUNKTSIONAALNE KIRJELDUS

⚠ETTEVAATUST: Kandke alati hoolt selle eest, et tööriist oleks enne reguleerimist ja kontrollimist välja lülitatud ja akukassett eemaldatud.

Akukasseti paigaldamine või eemaldamine

⚠ETTEVAATUST: Lülitage tööriist alati enne akukasseti paigaldamist või eemaldamist välja.

⚠ETTEVAATUST: Akukasseti paigaldamisel või eemaldamisel tuleb tööriista ja akukassetti kindlalt paigal hoida. Kui tööriista ja akukassetti ei hoita kindlalt paigal, võivad need käest libiseda ning kahjustada tööriista ja akukassetti või põhjustada kehavigastusi.

► **Joon.1:** 1. Punane näidik 2. Nupp 3. Akukassett

Akukasseti eemaldamiseks libistage see tööriista küljest lahti, vajutades kasseti esiküljel paiknevat nuppu alla.

Akukasseti paigaldamiseks joondage akukasseti keel korpuse soonega ja libistage kassett oma kohale. Paigaldage akuadapter alati nii kaugele, et see lukustus klõpsatusega oma kohale. Kui näete nupu ülaosas punast osa, pole kassett täielikult lukustunud.

⚠ETTEVAATUST: Paigaldage akukassett alati täies ulatuses nii, et punast osa ei jääks näha. Muidu võib adapter juhulikult tööriistast välja kukkuda ning põhjustada teile või läheduses viibivatele isikutele vigastusi.
















⚠ETTEVAATUST: Ärge rakendage akukasseti paigaldamisel jõudu. Kui kassett ei lähe kergesti sisse, pole see õigesti paigaldatud.

Aku jääkmahutavuse näit

Ainult näidikuga akukassettidele

► **Joon.2:** 1. Märgulambid 2. Kontrollimise nupp

Akukasseti järelejäänud mahutavuse kontrollimiseks vajutage kontrollimise nuppu. Märgulambid süttivad mõneks sekundiks.

| Märgulambid | | | Jääkmahutavus |
|---|---|--|-----------------------|
|  Pöleb |  Ei põle |  Vilgub | |
|  | | | 75 - 100% |
|  |  | | 50 - 75% |
|  |  | | 25 - 50% |
|  |  | | 0 - 25% |
|  |  | | Laadige akut. |
|  |  |  | Akul võib olla tõrge. |

MÄRKUS: Näidatud mahutavus võib veidi erineda tegelikust mahutavusest olenevalt kasutustingimustest ja ümbritseva keskkonna temperatuurist.

MÄRKUS: Esimene (taga vasakul asuv) märgutuli vilgub, kui akukaitsesüsteem töötab.

Tööriista/aku kaitsesüsteem

Tööriist on varustatud tööriista või aku kaitsesüsteemiga. Süsteem lülitab mootori automaatselt välja, et pikendada tööriista ja aku tööiga. Tööriist seiskub käitamise ajal automaatselt, kui tööriista või aku kohta kehtib üks järgmistest tingimustest.

Ülekoormuskaitse

Kui tööriista/aku kasutamise käigus hakkab see tarbima ebaarhiilikult palju voolu, peatub tööriist automaatselt. Sellisel juhul lülitage tööriist välja ja lõpetage töö, mis põhjustas tööriista ülekoormuse. Pärast seda käivitage tööriist uuesti.

Ülekuumenemiskaitse

Tööriista/aku ülekuumenemisel seiskub tööriist automaatselt ja lamp hakkab vilkuma. Sellises olukorras laske tööriistal maha jahtuda, enne kui selle uuesti sisse lülitate.

Ülelaadimiskaitse

Kui aku laetuse tase ei ole piisav, seiskub tööriist automaatselt. Sellisel juhul eemaldage aku seadmest ja laadige täis.

Lüliti funktsioneerimine

⚠ETTEVAATUST: Kontrollige alati enne akukasseti tööriista külge paigaldamist, kas lüliti päästik funktsioneerib nõuetekohaselt ja liigub lahitleaskmisel tagasi väljalülitatud asendisse.

▶ **Joon.3:** 1. Lüliti päästik

Tööriista käivitamiseks tuleb tõmmata lüliti päästikut. Tööriista kiirus kasvab, kui suurendate survet lüliti päästikule. Seiskamiseks vabastage lüliti päästik.

MÄRKUS: Tööriist seiskub automaatselt, kui vajutate lülitipäästikut umbes 6 minutit.

Eesmise lambi süütamine

⚠ETTEVAATUST: Ärge vaadake otse valgusesse ega valgusalikkat.

▶ **Joon.4:** 1. Lamp

Lambi süütamiseks tõmmake lüliti päästikut. Lamp põleb sel ajal, kui tõmmatakse lüliti päästikut. Lamp kustub umbes 10 sekundit pärast lüliti päästiku vabastamist.

MÄRKUS: Tööriista ülekuumenemisel seiskub tööriist automaatselt ja lamp hakkab vilkuma. Sellisel juhul vabastage lüliti päästik. Lamp lülitub 1 minuti pärast välja.

MÄRKUS: Pühkige lamp kuiva lapiga puhtaks. Olge seda tehes ettevaatlik, et lambi läätse mitte kriimustada, sest muidu võib valgustus väheneda.

Suunamuutmise lüliti töötamisviis

⚠ETTEVAATUST: Enne töö alustamist kontrollige alati pöörlemise suunda.

⚠ETTEVAATUST: Kasutage suunamuutmislülitit alles pärast tööriista täielikku seiskumist. Enne tööriista seiskumist suuna muutmine võib tööriista kahjustada.

⚠ETTEVAATUST: Kui tööriista ei kasutata, peab suunamuutmislülitit hoob olema alati neutraalses asendis.

Sellel tööriistal on suunamuutmise lüliti, millega saab muuta pöörlemise suunda. Suruge suunamuutmislülitit hoob A-küljel alla – tööriist pöörleb päripäeva, vastu-päeva pöörlemiseks suruge see alla B-küljel. Kui suunamuutmise lüliti hoob on neutraalasendis, pole võimalik hooblülitit tõmmata.

▶ **Joon.5:** 1. Suunamuutmise lüliti hoob

Kiiruse muutmine

⚠TÄHELEPANU: Kasutage kiiruse muutmise lüliti alles pärast tööriista täielikku seiskumist. Tööriista kiiruse muutmine enne tööriista seiskumist võib tööriista kahjustada.

⚠TÄHELEPANU: Seadke kiirusregulaatori hoob hoolikalt õigesse asendisse. Tööriista kasutamine sellisel, et kiirusregulaatori nupp paikneb asendite „1” ja „2” vahel, võib tööriista kahjustada.

⚠TÄHELEPANU: Kui kiirrežiimis pöörlemiskiirus olulisel määral väheneb, peatage tööriist ja lülitage režiim väikese kiiruse režiimi. Muidu võib mootor olla ülekoormatud ja põhjustada tõrkeid või tulekahju.

Kiirusregulaatori nupuga saab valida kaks kiirusvahemikku.

Kiiruse muutmiseks keerake kiirusregulaatori nuppu nii, et osuti oleks suunatud madala kiirusrežiimi jaoks asendisse 1 või kõrge kiirusrežiimi jaoks asendisse 2.

▶ **Joon.6:** 1. Osuti 2. Kiirusregulaatori nupp

Elektroniline funktsioon

Elektripidur

Tööriistal on elektriline pidur. Kui tööriist ei peatu järjepidevalt kohe pärast lüliti päästiku vabastamist, viige see hoolduseks Makita teeninduskeskusesse.

Sujuvkäivituse funktsioon

See funktsioon võimaldab käivitamise väändejõudu piirates tööriista sujuvalt käivitada.

KOKKUPANEK

⚠ETTEVAATUST: Kandke alati hoolt selle eest, et tööriist oleks enne igasuguseid hooldustöid välja lülitatud ja akukassett eemaldatud.

Külgkäepideme (abipide) paigaldamine

⚠ETTEVAATUST: Enne tööd kontrollige alati, kas külgkäepide on kindlalt paigaldatud.

Kruvide külgkäepide kindlalt tööriista kere külge. Külgkäepideme võib kinnitada käepäraselt tööriista ükskõik kummale küljele.

► **Joon.7:** 1. Ümar külgkäepide

Võtmehoidja paigaldamine

(*Riigikohane*)

⚠ETTEVAATUST: Enne kasutamist veenduge alati, et võtmehoidja on kindlalt paigaldatud.

Keerake võtmehoidja kindlalt tööriista külge. Seejärel asetage puuripadrunit õigesse asendisse.

► **Joon.8:** 1. Võtmehoidja 2. Kruvi 3. Puuripadrunit

Puuri paigaldamine või eemaldamine

Puuri paigaldamiseks sisestage see võimalikult sügavale padrunitesse. Pingutage padrunit käsitsi. Pange puuripadrunit kõigisse kolme auku ja pingutage päripäeva. Pingutage kindlasti kõiki kolme padrunit ühtlaselt. Puuri eemaldamiseks pöörake puuripadrunit vastupäeva ainult ühes augus ning seejärel keerake padrunit käsitsi lahti.

► **Joon.9:** 1. Puuripadrunit

Pärast kasutamist asetage puuripadrunit tööriista võtmehoidjale, nagu joonisel näidatud.

► **Joon.10:** 1. Võtmehoidja

Konks

⚠ETTEVAATUST: Tööriista konksu abil riputamisel eemaldage alati aku.

⚠ETTEVAATUST: Ärge kunagi riputage tööriista kõrgesse kohta ega ebakindlale pinnale.

Konksu abil saate mugavalt tööriista ajutiselt üles riputada.

Konksu kasutamiseks lükake seda üles, kuni see klõpsatab avatud asendisse. Kui konks pole kasutusel, lükake see alati alla, et see klõpsataks kinnisesse asendisse.

► **Joon.11:** 1. Konks

► **Joon.12**

Kinnitusrihma (kinnitusosaga) ühendamine konksuga

⚠ETTEVAATUST: Ärge kasutage kahjustatud konksu ega kruve. Enne kasutamist kontrollige alati kahjustusi, pragusid või deformatsioone ja veenduge, et kruvid oleks pingutatud.

⚠ETTEVAATUST: Veenduge, et konks oleks kruvidega kindlalt kinnitatud.

⚠ETTEVAATUST: Ärge paigaldage ega eemaldage tööriista riputamise ajal ühtegi lisaseadet. Tööriist võib maha kukkuda, kui kruvid ei ole kinni.

⚠ETTEVAATUST: Kasutage alati kinnituskarabiini (mitmeotstarbelist ja keermega) ja veenduge, et kinnitusrihm (kinnitusosaga) kinnitatakse konksu kahekordse ahelaga osa külge. Ebaõige kinnitamise tagajärjel võib tööriist konksu küljest maha kukkuda ja tekitada vigastusi.

Konksu kasutatakse ka kinnitusrihma (kinnitusosaga) ühendamiseks. Veenduge, et ühendaksite kinnitusrihma (kinnitusosaga) konksu kahekordse silmusega osa külge.

► **Joon.13:** 1. Konksu kahekordse silmusega osa 2. Kinnitusrihm (kinnitusosaga) 3. Kinnituskarabiin (mitmeotstarbeline ja keermega)

TÖÖRIISTA KASUTAMINE

⚠ETTEVAATUST: Pange akukassett alati sisse nii sügavale, et see lukustuks oma kohale. Kui näete nupu ülaosas punast osa, pole kassett täielikult lukustunud. Sisestage see täies ulatuses nii, et punast osa ei jääks näha. Muidu võib adapter juhulki tööriistast välja kukkuda ning põhjustada teile või läheduses viibivatele isikutele vigastusi.

⚠ETTEVAATUST: Kui kiirus väheneb olulisel määral, siis vähendage koormust või seisake tööriist, et vältida tööriista kahjustamist.

⚠ETTEVAATUST: Töötades hoidke tööriista kindlalt käes.

Tööriista hoidmine

⚠ETTEVAATUST: See on võimas tööriist. Saavutatakse suur pöördemoment ning on oluline, et tööriista hoitaks käes kindlalt ning õiges asendis.

Haarake ühe käega käepidemest ja teise käega eesmisest käepidemest.

► **Joon.14:** 1. Eesmine käepide 2. Käepide

Puurimisrežiim

Puidu puurimine

Puidu puurimise hõlbustamiseks kasutage juhtkruviga puure. Juhtkruvi lihtsustab puurimist, tõmmates kruvikeraja otsaku pinna sisse.

Metalli puurimine

Puuriotsaku libisemise vältimiseks puurimise alustamise hetkel, tehke puuritavasse kohta käärni ja haamriga mäрге. Asetage puuriotsaku tipp märgi kohale ja alustage puurimist. Metallide puurimisel kasutage lõikuri määrdeõli. Erandiks on raud ja messing, mida tuleks puurida kuival.

⚠ETTEVAATUST: Liiga suur surve seadmele ei kiirenda puurimist. Ligne surve hoopis kahjustab puuriotsaku tippu, vähendab seadme efektiivsust ja lühendab seadme tööiga.

⚠ETTEVAATUST: Hoidke tööriista kindlalt ning olge tähelepanelik, kui puuriotsak hakkab puuritavast materjalist läbi tungima. Materjali läbistamisel rakendub tööriistale/puuriotsakule väga suur jõud.

⚠ETTEVAATUST: Kinnikiilunud puuriotsaku saab lihtsalt vabastada, kui muudate puuri pöörlemissuuna vastupidiseks. Kui tööriista ei hoita kindlalt, võib see ootamatult tagasi viskuda.

⚠ETTEVAATUST: Kinnitage töödeldavad esemed alati kruustangide või mõne sarnase kinnitusvahendiga.

⚠ETTEVAATUST: Ärge puurige materjali, milles võivad olla peidus naelad või muud esemed, mis põhjustaksid puuriotsaku kinnikiilumist või purunemist.

⚠ETTEVAATUST: Kui tööriistaga töötatakse järjest seni, kuni akusett on tühi, laske tööriistal enne uue akuga töö jätkamist 15 minutit seista.

Kinnitusrihm (kinnitusosaga)

⚠Spetsiaalsed ohutusjuhised kõrguses kasutamiseks

Lugege kõik ohutusohiatused ja juhtnõid läbi. Hoiatuste ja juhtnõude eiramine võib lõppeda tõsise kahavigastusega.

1. Kõrgustes töötamise ajal hoidke tööriista kinnitusrihma abil kinni. Kinnitusrihma max pikkus 2 m (6,5 jalga).
2. Kinnitusrihma (kinnitusosaga) maksimaalne lubatud kukkumiskõrgus ei tohi ületada 2 m (6,5 jalga).
3. Kasutage ainult tööriista tüübi jaoks sobivat kinnitusrihma, mis on mõeldud vähemalt 5,0 kg (11,0 naela) jaoks.
4. Ärge kinnitage tööriista kinnitusrihma oma keha ega liikuvate osade külge. Kinnitage tööriista kinnitusrihm jäiga konstruktsiooni külge, mis suudab vastu pidada kukkuvat tööriista jõududele.
5. Enne kasutamist veenduge, et kinnitusrihm oleks mõlemast otsast kindlalt kinnitatud.
6. Enne iga kasutamist kontrollige tööriista ja kinnitusrihma, et poleks kahjustusi ja kõik toimiks nõuetekohaselt (sh riie ja õmblused). Ärge kasutage, kui need on kahjustatud või ei tööta korralikult.
7. Ärge siduge kinnitusrihma ümber teravate või töötlemata servadega esemete ega laske neil kokku puutuda.
8. Kinnitage kinnitusrihma teine ots väljaspool tööpiirkonda nii, et kukkuv tööriist jääks rihma külge rippuma.

8. Kinnitage kinnitusrihm nii, et kukkuv tööriist liiguks kasutajast eemale. Mahakukkunud tööriistad jäävad kinnitusrihma külge õdõtsuma ja see võib põhjustada vigastusi või tasakaalu kadu.
9. Ärge kasutage liikuvate osade ega töötavate masinate lähedal. Muidu võib tekkida kokkupõrke- või takerdumisoht.
10. Ärge hoidke tööriista kandes kinni lisaseadisest ega kinnitusrihmast.
11. Kandke tööriista oma käte vahel ainult siis, kui olete korralikult tasakaalustatud.
12. Ärge ühendage tööriista kinnitusrihmaga viisil, kus kaitsepiirded, lülitid või lukustusseadmed ei saa korralikult toimida.
13. Vältige kinnitusrihma sisse takerdumist.
14. Hoidke kinnitusrihm tööriista lõikepiirkonnast eemal.
15. Kasutage mitmetoimelisi ja lukustatavaid karabiine. Ärge kasutage ühetoimelisi vabakäiguga karabiine.
16. Kui tööriist kukub maha, tuleb see märgistada ja kasutusest kõrvaldada ning seda peaks laskma kontrollida kas Makita tehases või volitatud hoolduskeskuses.

HOOLDUS

⚠ETTEVAATUST: Enne kontroll- või hooldustöimingute tegemist kandke alati hoolt selle eest, et tööriist oleks välja lülitatud ja akusett korpuse küljest eemaldatud.

TÄHELEPANU: Ärge kunagi kasutage bensiini, vedeldit, alkoholi ega midagi muud sarnast. Selle tulemuseks võib olla luitumine, deformatsioon või pragunemine.

Toote OHUTUSE ja TÖÖKINDLUSE tagamiseks tuleb vajalikud remonttööd ning muud hooldus- ja reguleerimistööd lasta teha Makita volitatud teeninduskeskustes või tehase teeninduskeskustes. Alati tuleb kasutada Makita varuosi.

VALIKULISED TARVIKUD

⚠ETTEVAATUST: Neid tarvikuid ja lisaseadiseid on soovitatav kasutada koos Makita tööriistaga, mille kasutamist selles kasutusjuhendis kirjeldatakse. Muude tarvikute ja lisaseadiste kasutamise kaasaeb vigastada saamise oht. Kasutage tarvikuid ja lisaseadiseid ainult otstarbekohaselt.

Saate vajaduse korral kohalikust Makita teeninduskeskusest lisateavet nende tarvikute kohta.

- Puurid
- Makita algupärane aku ja laadija

MÄRKUS: Mõned nimekirjas loetletud tarvikud võivad kuuluda standardvarustusse ning need on lisatud tööriista pakendisse. Need võivad riigiti erineda.

ТЕХНИЧЕСКИЕ ХАРАКТЕРИСТИКИ

| Модель: | | DDA450 | |
|--|--------|--|--|
| Зубчатое колесо переключения коробки скоростей | | Высокая | Низкая |
| Максимальный диаметр сверления | Сталь | 13 мм | |
| | Дерево | Винтовое сверло: 38 мм Сверло с автоматической подачей: 50 мм Кольцевая пила: 101 мм | Винтовое сверло: 38 мм Сверло с автоматической подачей: 65 мм Кольцевая пила: 127 мм |
| Частота вращения без нагрузки | | 0 – 1 400 мин ⁻¹ | 0–450 мин ⁻¹ |
| Общая длина (с блоком аккумулятора BL1860B) | | 434 мм | |
| Номинальное напряжение | | 18 В пост. тока | |
| Масса нетто | | 3,2–3,5 кг | |

- Благодаря нашей постоянно действующей программе исследований и разработок указанные здесь технические характеристики могут быть изменены без предварительного уведомления.
- Технические характеристики могут различаться в зависимости от страны.
- Масса может отличаться в зависимости от дополнительного оборудования. Обратите внимание, что блок аккумулятора также считается дополнительным оборудованием. В таблице представлены комбинации с наибольшим и наименьшим весом в соответствии с процедурой EPTA 01/2014.

Подходящий блок аккумулятора и зарядное устройство

| | |
|---------------------|--|
| Блок аккумулятора | BL1815N / BL1820B / BL1830B / BL1840B / BL1850B / BL1860B |
| Зарядное устройство | DC18RC / DC18RD / DC18RE / DC18SD / DC18SE / DC18SF / DC18SH |

- В зависимости от региона проживания некоторые блоки аккумуляторов и зарядные устройства, перечисленные выше, могут быть недоступны.

⚠ ОСТОРОЖНО: Используйте только перечисленные выше блоки аккумуляторов и зарядные устройства. Использование других блоков аккумуляторов и зарядных устройств может привести к травме и/или пожару.

Назначение

Инструмент предназначен для сверления древесины, металла и пластика.

Шум

Типичный уровень взвешенного звукового давления (A), измеренный в соответствии с EN62841-2-1: Уровень звукового давления (L_{pA}): 83 дБ (A)
Уровень звуковой мощности (L_{WA}): 94 дБ (A)
Погрешность (K): 3 дБ (A)

ПРИМЕЧАНИЕ: Заявленное значение распространения шума измерено в соответствии со стандартной методикой испытаний и может быть использовано для сравнения инструментов.

ПРИМЕЧАНИЕ: Заявленное значение распространения шума можно также использовать для предварительных оценок воздействия.

⚠ ОСТОРОЖНО: Используйте средства защиты слуха.

⚠ ОСТОРОЖНО: Распространение шума во время фактического использования электроинструмента может отличаться от заявленного значения в зависимости от способа применения инструмента и в особенности от типа обрабатываемой детали.

⚠ ОСТОРОЖНО: Обязательно определите меры безопасности для защиты оператора, основанные на оценке воздействия в реальных условиях использования (с учетом всех этапов рабочего цикла, таких как выключение инструмента, работа без нагрузки и включение).

Вибрация

Суммарное значение вибрации (сумма векторов по трем осям), определенное в соответствии с EN62841-2-1:
Рабочий режим: сверление металла
Распространение вибрации ($a_{h,D}$): 2,5 м/с² или менее
Погрешность (K): 1,5 м/с²

ПРИМЕЧАНИЕ: Заявленное общее значение распространения вибрации измерено в соответствии со стандартной методикой испытаний и может быть использовано для сравнения инструментов.

ПРИМЕЧАНИЕ: Заявленное общее значение распространения вибрации можно также использовать для предварительных оценок воздействия.

⚠ОСТОРОЖНО: Распространение вибрации во время фактического использования электроинструмента может отличаться от заявленного значения в зависимости от способа применения инструмента и в особенности от типа обрабатываемой детали.

⚠ОСТОРОЖНО: Обязательно определите меры безопасности для защиты оператора, основанные на оценке воздействия в реальных условиях использования (с учетом всех этапов рабочего цикла, таких как выключение инструмента, работа без нагрузки и включение).

Декларация о соответствии ЕС

Только для европейских стран

Декларация о соответствии ЕС включена в руководство по эксплуатации (Приложение А).

МЕРЫ БЕЗОПАСНОСТИ

Общие рекомендации по технике безопасности для электроинструментов

⚠ОСТОРОЖНО: Ознакомьтесь со всеми представленными инструкциями по технике безопасности, указаниями, иллюстрациями и техническими характеристиками, прилагаемыми к данному электроинструменту. Несоблюдение каких-либо инструкций, указанных ниже, может привести к поражению электрическим током, пожару и/или серьезной травме.

Сохраните брошюру с инструкциями и рекомендациями для дальнейшего использования.

Термин "электроинструмент" в предупреждениях относится ко всему инструменту, работающему от сети (с проводом) или на аккумуляторах (без провода).

Меры безопасности при использовании аккумуляторной дрели

Инструкции по технике безопасности при выполнении работ

1. Используйте дополнительные ручки. Потеря контроля над инструментом может привести к травме.
2. Если при выполнении работ существует риск контакта режущего инструмента со скрытой электропроводкой, держите электроинструмент за специальные изолированные поверхности. При контакте металлических частей электроинструмента с проводом под напряжением оператор может получить удар током.

3. При выполнении работ всегда занимайте устойчивое положение. При использовании инструмента на высоте убедитесь в отсутствии людей внизу.
4. Крепко держите инструмент.
5. Руки должны находиться на расстоянии от вращающихся деталей.
6. Не оставляйте работающий инструмент без присмотра. Включайте инструмент только тогда, когда он находится в руках.
7. Сразу после окончания работ не прикасайтесь к головке сверла или детали. Они могут быть очень горячими, что приведет к ожогам кожи.
8. Некоторые материалы могут содержать токсичные химические вещества. Примите соответствующие меры предосторожности, чтобы избежать вдыхания или контакта с кожей таких веществ. Соблюдайте требования, указанные в паспорте безопасности материала.
9. Если головку сверла не удается ослабить даже с помощью открывания зажимов, воспользуйтесь плоскогубцами, чтобы вытянуть ее. Вытягивание головки сверла вручную может привести к травмированию ее острой кромкой.
10. В случае появления проблем в работе инструмента, например необычных звуков, немедленно прекратите работу и обратитесь в местный сервисный центр Makita для ремонта.
11. Перед началом работы убедитесь в том, что под поверхностью грунта не проходят линии электрооборудования, водопроводы или газопроводы. Контакт инструмента с такими объектами приведет к удару электрическим током, утечке тока или газа.

Инструкции по технике безопасности при использовании удлиненных головок сверла

1. Запрещено работать на рабочей частоте, превышающей максимальные номинальные значения для головки сверла. На более высоких рабочих частотах сверло может изогнуться, если позволить ему вращаться свободно без контакта с заготовкой, что может привести к травме.
2. Всегда начинайте сверление на низкой частоте, прижав кончик сверла к заготовке. На более высоких рабочих частотах сверло может изогнуться, если позволить ему вращаться свободно без контакта с заготовкой, что может привести к травме.
3. Прикладывайте давление к инструменту только по оси сверла и не прижимайте сверло слишком сильно. Сверла могут согнуться, что приведет к поломке или потере контроля и может стать причиной травмы.

СОХРАНИТЕ ДАННЫЕ ИНСТРУКЦИИ.

⚠ОСТОРОЖНО: НЕ ДОПУСКАЙТЕ, чтобы удобство или опыт эксплуатации данного устройства (полученный от многократного использования) доминировали над строгим соблюдением правил техники безопасности при обращении с этим устройством. НЕПРАВИЛЬНОЕ ИСПОЛЬЗОВАНИЕ инструмента или несоблюдение правил техники безопасности, указанных в данном руководстве, может привести к тяжелой травме.

Важные правила техники безопасности для работы с аккумуляторным блоком

1. Перед использованием аккумуляторного блока прочитайте все инструкции и предупреждающие надписи на (1) зарядном устройстве, (2) аккумуляторном блоке и (3) инструменте, работающем от аккумуляторного блока.
2. Не разбирайте блок аккумулятора и не меняйте его конструкцию. Это может привести к пожару, перегреву или взрыву.
3. Если время работы аккумуляторного блока значительно сократилось, немедленно прекратите работу. В противном случае, может возникнуть перегрев блока, что приведет к ожогам и даже к взрыву.
4. В случае попадания электролита в глаза промойте их обильным количеством чистой воды и немедленно обратитесь к врачу. Это может привести к потере зрения.
5. Не замыкайте контакты аккумуляторного блока между собой:
 - (1) Не прикасайтесь к контактам какими-либо токопроводящими предметами.
 - (2) Не храните аккумуляторный блок в контейнере вместе с другими металлическими предметами, такими как гвозди, монеты и т. п.
 - (3) Не допускайте попадания на аккумуляторный блок воды или дождя.

Замыкание контактов аккумуляторного блока между собой может привести к возникновению большого тока, перегреву, возможным ожогам и даже поломке блока.

6. Не храните и не используйте инструмент и аккумуляторный блок в местах, где температура может достигать или превышать 50 °C (122 °F).
7. Не бросайте аккумуляторный блок в огонь, даже если он сильно поврежден или полностью вышел из строя. Аккумуляторный блок может взорваться под действием огня.
8. Запрещено вбивать гвозди в блок аккумулятора, резать, ломать, бросать, ронять блок аккумулятора или ударять его твердым предметом. Это может привести к пожару, перегреву или взрыву.
9. Не используйте поврежденный аккумуляторный блок.
10. Входящие в комплект литий-ионные аккумуляторы должны эксплуатироваться в соответствии с требованиями законодательства об опасных товарах. При коммерческой транспортировке, например, третьей стороной или экспедитором, необходимо нанести на упаковку специальные предупреждения и маркировку. В процессе подготовки устройства к отправке обязательно проконсультируйтесь со специалистом по опасным материалам. Также соблюдайте местные требования и нормы. Они могут быть строже. Закройте или закрепите разомкнутые контакты и упакуйте аккумулятор так, чтобы он не перемещался по упаковке.
11. Для утилизации блока аккумулятора извлеките его из инструмента и утилизируйте безопасным способом. Выполняйте требования местного законодательства по утилизации аккумуляторного блока.

12. Используйте аккумуляторы только с продукцией, указанной Makita. Установка аккумуляторов на продукцию, не соответствующую требованиям, может привести к пожару, перегреву, взрыву или утечке электролита.
13. Если инструментом не будут пользоваться в течение длительного периода времени, извлеките аккумулятор из инструмента.
14. Во время и после использования блок аккумулятора может нагреваться, что может стать причиной ожогов или низкотемпературных ожогов. Будьте осторожны при обращении с горячим блоком аккумулятора.
15. Не прикасайтесь к контактам инструмента сразу после использования, поскольку они могут быть достаточно горячими, чтобы вызвать ожоги.
16. Не допускайте, чтобы обломки, пыль или земля прилипали к контактам, отверстиям и ламам на блоке аккумулятора. Это может привести к снижению эксплуатационных параметров, поломке инструмента или блока аккумулятора.
17. Если инструмент не рассчитан на использование вблизи высоковольтных линий электропередач, не используйте блок аккумулятора вблизи высоковольтных линий электропередач. Это может привести к неисправности, поломке инструмента или блока аккумулятора.
18. Храните аккумулятор в недоступном для детей месте.

СОХРАНИТЕ ДАННЫЕ ИНСТРУКЦИИ.

▲ВНИМАНИЕ: Используйте только фирменные аккумуляторные батареи Makita. Использование аккумуляторных батарей, не произведенных Makita, или батарей, которые были подвергнуты модификациям, может привести к взрыву аккумулятора, пожару, травмам и повреждению имущества. Это также автоматически аннулирует гарантию Makita на инструмент и зарядное устройство Makita.

Советы по обеспечению максимального срока службы аккумулятора

1. Заряжайте блок аккумуляторов перед его полной разрядкой. Обязательно прекратите работу с инструментом и зарядите блок аккумуляторов, если вы заметили снижение мощности инструмента.
2. Никогда не подзаряжайте полностью заряженный блок аккумуляторов. Перезарядка сокращает срок службы аккумулятора.
3. Заряжайте блок аккумуляторов при комнатной температуре в 10 - 40 °C (50 - 104 °F). Перед зарядкой горячего блока аккумуляторов дайте ему остыть.
4. Если блок аккумулятора не используется, извлеките его из инструмента или зарядного устройства.
5. Зарядите ионно-литиевый аккумуляторный блок, если вы не будете пользоваться инструментом длительное время (более шести месяцев).

ОПИСАНИЕ РАБОТЫ

⚠ ВНИМАНИЕ: Перед регулировкой или проверкой функций инструмента обязательно убедитесь, что он выключен и его аккумуляторный блок снят.

Установка или снятие блока аккумулятора

⚠ ВНИМАНИЕ: Обязательно выключайте инструмент перед установкой и извлечением аккумуляторного блока.

⚠ ВНИМАНИЕ: При установке и извлечении аккумуляторного блока крепко удерживайте инструмент и аккумуляторный блок. Если не соблюдать это требование, они могут выскользнуть из рук, что приведет к повреждению инструмента, аккумуляторного блока и травмированию оператора.

► **Рис.1:** 1. Красный индикатор 2. Кнопка 3. Блок аккумулятора

Для снятия аккумуляторного блока нажмите кнопку на лицевой стороне и извлеките блок.

Для установки блока аккумулятора совместите выступ блока аккумулятора с пазом в корпусе и задвиньте его на место. Устанавливайте блок до упора так, чтобы он зафиксировался на месте с небольшим щелчком. Если вы можете видеть красный индикатор на верхней части клавиши, блок аккумулятора не полностью зафиксирован на месте.

⚠ ВНИМАНИЕ: Обязательно устанавливайте блок аккумулятора до конца, чтобы красный индикатор не был виден. В противном случае блок аккумулятора может выпасть из инструмента и нанести травму вам или другим людям.

⚠ ВНИМАНИЕ: Не прилагайте чрезмерных усилий при установке аккумуляторного блока. Если блок не двигается свободно, значит он вставлен неправильно.

Индикация оставшегося заряда аккумулятора

Только для блоков аккумулятора с индикатором

► **Рис.2:** 1. Индикаторы 2. Кнопка проверки

Нажмите кнопку проверки на аккумуляторном блоке для проверки заряда. Индикаторы загорятся на несколько секунд.

| Индикаторы | | | Уровень заряда |
|------------|-------|--------|--|
| Горит | Выкл. | Мигает | |
| ■ ■ ■ ■ | | | от 75 до 100% |
| ■ ■ ■ □ | | | от 50 до 75% |
| ■ ■ □ □ | | | от 25 до 50% |
| ■ □ □ □ | | | от 0 до 25% |
| ▧ □ □ □ | | | Зарядите аккумуляторную батарею. |
| ■ ■ □ □ | | | Возможно, аккумуляторная батарея неисправна. |
| □ □ ■ ■ | ↑ ↓ | | |

ПРИМЕЧАНИЕ: В зависимости от условий эксплуатации и температуры окружающего воздуха индикация может незначительно отличаться от фактического значения.

ПРИМЕЧАНИЕ: Первая (дальняя левая) индикаторная лампа будет мигать во время работы защитной системы аккумулятора.

Система защиты инструмента/аккумулятора

На инструменте предусмотрена система защиты инструмента/аккумулятора. Она автоматически отключает питание двигателя для продления срока службы инструмента и аккумулятора. Инструмент автоматически остановится во время работы в следующих случаях:

Защита от перегрузки

Если из-за способа эксплуатации инструмент/аккумулятор потребляет слишком большое количество тока, произойдет автоматический останов. В этом случае выключите инструмент и прекратите работу, повлекшую перегрузку инструмента. Затем включите инструмент для перезапуска.

Защита от перегрева

При перегреве инструмента/аккумулятора инструмент автоматически останавливается и начинает мигать индикатор. В таком случае дайте инструменту остыть перед повторным включением.

Защита от переразрядки

При истощении емкости аккумулятора инструмент автоматически останавливается. В этом случае извлеките аккумулятор из инструмента и зарядите его.

Действие выключателя

⚠ВНИМАНИЕ: Перед установкой аккумуляторного блока в инструмент обязательно убедитесь, что его триггерный переключатель нормально работает и возвращается в положение "OFF" (ВЫКЛ) при отпускании.

► Рис.3: 1. Триггерный переключатель

Чтобы запустить инструмент, нажмите триггерный переключатель. Для повышения рабочей скорости инструмента нажмите триггерный переключатель сильнее. Отпустите триггерный переключатель для остановки.

ПРИМЕЧАНИЕ: Инструмент автоматически останавливается, если удерживать триггерный переключатель нажатым примерно 6 минут.

Включение передней лампы

⚠ВНИМАНИЕ: Не смотрите непосредственно на свет или источник света.

► Рис.4: 1. Лампа

Лампа продолжает гореть, пока нажат триггерный переключатель. Лампа будет светиться до тех пор, пока нажат триггерный переключатель. Лампа гаснет примерно через 10 секунд после отпускания триггерного переключателя.

ПРИМЕЧАНИЕ: При перегреве инструмент автоматически останавливается, а лампа начинает мигать. В этом случае отпустите триггерный переключатель. Лампа гаснет через 1 минуту.

ПРИМЕЧАНИЕ: Для удаления пыли с линзы лампы используйте сухую ткань. Не допускайте возникновения царапин на линзе лампы, так как это приведет к снижению освещенности.

Действие реверсивного переключателя

⚠ВНИМАНИЕ: Перед работой всегда проверьте направление вращения.

⚠ВНИМАНИЕ: Используйте реверсивный переключатель только после полной остановки инструмента. Изменение направления вращения до полной остановки инструмента может привести к его повреждению.

⚠ВНИМАНИЕ: Если инструмент не используется, обязательно переведите рычаг реверсивного переключателя в нейтральное положение.

Этот инструмент оборудован реверсивным переключателем для изменения направления вращения. Нажмите на рычаг реверсивного переключателя со стороны А для вращения по часовой стрелке или со стороны В для вращения против часовой стрелки. Когда рычаг реверсивного переключателя находится в нейтральном положении, рычаг переключателя не может быть нажат.

► Рис.5: 1. Рычаг реверсивного переключателя

Изменение скорости

ПРИМЕЧАНИЕ: Используйте ручку изменения скорости только после полной остановки инструмента. Изменение скорости вращения до полной остановки инструмента может привести к его повреждению.

ПРИМЕЧАНИЕ: Всегда устанавливайте ручку изменения скорости в правильное положение до конца. Если при работе с инструментом ручка изменения скорости находится в промежуточном положении между 1 и 2, это может привести к повреждению инструмента.

ПРИМЕЧАНИЕ: В случае значительного снижения частоты вращения в режиме высокой частоты вращения остановите инструмент и переключите его в режим низкой частоты вращения. Несоблюдение этого требования может привести к перегрузке двигателя и стать причиной неисправности или возгорания.

С помощью ручки изменения скорости можно предварительно выбрать два диапазона скорости. Для изменения скорости поверните кнопку регулировки частоты вращения, совместив указатель с отметкой 1 для выбора режима с низкой частотой вращения или с отметкой 2 для выбора режима с высокой частотой вращения.

► Рис.6: 1. Указатель 2. Кнопка регулировки скорости

Электронная функция

Электрический тормоз

Этот инструмент оснащен электрическим тормозом. Если после отпускания триггерного переключателя не происходит быстрого прекращения работы инструмента, отправьте инструмент в сервисный центр Makita для обслуживания.

Функция плавного запуска

Эта функция позволяет плавно включать инструмент путем ограничения пускового момента.

СБОРКА

⚠ВНИМАНИЕ: Перед проведением каких-либо работ с инструментом обязательно убедитесь, что инструмент отключен, а блок аккумулятора снят.

Установка боковой ручки (вспомогательной рукоятки)

⚠ВНИМАНИЕ: Перед работой всегда проверьте надежность крепления боковой ручки.

Надежно привинтите боковую рукоятку к инструменту. Для удобства боковую ручку можно устанавливать с любой стороны инструмента.

► Рис.7: 1. Боковая ручка

Установка держателя ключа

(в зависимости от страны)

ВНИМАНИЕ: Перед началом работы всегда проверяйте надежность установки держателя ключа.

Надежно привинтите держатель ключа к инструменту. Вставьте патронный ключ в соответствующее положение.

► Рис.8: 1. Держатель ключа 2. Винт 3. Патронный ключ

Установка или снятие головки сверла

Для установки головки сверла вставьте ее до упора в сверлильный патрон. Вручную затяните зажимной патрон. Вставьте патронный ключ в каждое из трех отверстий и затяните его по часовой стрелке. Обязательно затягивайте все три отверстия патрона равномерно.

Для снятия головки сверла поверните патронный ключ против часовой стрелки только в одном отверстии, затем ослабьте патрон вручную.

► Рис.9: 1. Патронный ключ

После использования установите патронный ключ обратно в держатель ключа на инструменте, как показано на рисунке.

► Рис.10: 1. Держатель ключа

Крючок

ВНИМАНИЕ: Всегда извлекайте аккумулятор при подвешивании инструмента за крючок.

ВНИМАНИЕ: Никогда не вешайте инструмент на высоте или на потенциально неустойчивой поверхности.

Крючок удобен для временного подвешивания инструмента. Для использования крючка просто поднимите его так, чтобы он защелкнулся в открытом положении.

Если крючок не используется, опустите его так, чтобы он защелкнулся в закрытом положении.

► Рис.11: 1. Крючок

► Рис.12

Подсоединение стропа (страховочного ремня) к крючку

ВНИМАНИЕ: Не используйте поврежденный крючок и винты. Перед началом работы проведите осмотр и убедитесь в том, что на инструменте отсутствуют повреждения, трещины или деформация, а также в том, что винты затянуты.

ВНИМАНИЕ: Убедитесь в том, что крючок надежно затянут винтами.

ВНИМАНИЕ: Не устанавливайте и не отсоединяйте какие-либо принадлежности, если инструмент подвешен за крючок. Если винты не затянуты, инструмент может упасть.

ВНИМАНИЕ: Всегда используйте муфтованный карабин (универсальный и с винтовым зажимом) и прикрепляйте строп (страховочный ремень) к части крючка с двойной петлей. Неправильное прикрепление может привести к тому, что инструмент упадет и нанесет травмы.

Крючок также используется для подсоединения стропа (страховочного ремня). Подсоедините строп (страховочный ремень) к части крючка с двойной петлей.

► Рис.13: 1. Часть крючка с двойной петлей
2. Строп (страховочный ремень)
3. Муфтованный карабин (универсальный и с винтовым зажимом)

ЭКСПЛУАТАЦИЯ

ВНИМАНИЕ: Всегда устанавливайте блок аккумулятора до упора так, чтобы он зафиксировался на месте. Если вы можете видеть красный индикатор на верхней части клавиши, блок аккумулятора не полностью установлен на месте. Установите его до конца так, чтобы красный индикатор был не виден. В противном случае блок может выпасть из инструмента и нанести травму вам или другим людям.

ВНИМАНИЕ: В случае значительного снижения оборотов уменьшите нагрузку или остановите инструмент во избежание его повреждения.

ВНИМАНИЕ: Во время работы крепко удерживайте инструмент.

Удержание инструмента

ВНИМАНИЕ: Этот инструмент отличается высокой мощностью. Он развивает высокий крутящий момент, в связи с чем этот инструмент следует крепко удерживать и надежно фиксировать.

Возьмитесь одной рукой за ручку, а второй рукой – за переднюю рукоятку.

► Рис.14: 1. Передняя рукоятка 2. Рукоятка

Сверление

Сверление дерева

При сверлении дерева наилучшие результаты достигаются с применением сверл для дерева с направляющим винтом. Направляющий винт упрощает сверление, удерживая головку сверла в обрабатываемой детали.

Сверление металла

Для предотвращения скольжения сверла при начале сверления сделайте углубление с помощью кернера и молотка в точке сверления. Вставьте острие головки сверла в углубление и начните сверление. При сверлении металлов пользуйтесь смазочно-охлаждающей жидкостью. Исключение составляют железо и латунь, которые надо сверлить насухо.

▲ВНИМАНИЕ: Чрезмерное нажатие на инструмент не ускорит сверление. На самом деле, чрезмерное давление только повредит наконечник головки сверла, снизит производительность инструмента и сократит срок его службы.

▲ВНИМАНИЕ: Крепко удерживайте инструмент и будьте осторожны, когда головка сверла начинает проходить сквозь обрабатываемую деталь. В момент выхода головки сверла из детали возникает огромное усилие на инструмент/сверло.

▲ВНИМАНИЕ: Заклинившая головка сверла может быть без проблем извлечена из обрабатываемой детали путем изменения направления вращения при помощи реверсивного переключателя. Однако если вы не будете крепко держать инструмент, он может резко сдвинуться назад.

▲ВНИМАНИЕ: Всегда закрепляйте обрабатываемые детали в тисках или аналогичном зажимном устройстве.

▲ВНИМАНИЕ: Не допускайте сверления материалов, в которых могут находиться скрытые гвозди или другие предметы — это может привести к заеданию или поломке головки сверла.

▲ВНИМАНИЕ: Если инструмент эксплуатировался непрерывно до разрядки блока аккумулятора, сделайте перерыв на 15 минут, прежде чем продолжить работу с заряженным аккумулятором.

Подсоединение стропа (страховочного ремня)

▲Инструкции по технике безопасности работ на высоте

Ознакомьтесь со всеми предупреждениями и инструкциями по технике безопасности.

Несоблюдение требований предупреждений и инструкций может привести к серьезным травмам.

1. При выполнении работ на высоте обязательно используйте страховочный ремень для фиксации инструмента. Максимальная длина стропа составляет 2 м (6,5 фута). Максимальная допустимая высота падения для стропа (страховочного ремня) не должна превышать 2 м (6,5 фута).
2. С этим инструментом следует использовать только специальные стропы, рассчитанные на нагрузку не менее 5,0 кг (11,0 фунта).
3. Не прикрепляйте строп инструмента к элементам одежды или к подвижным деталям. Прикрепите строп инструмента к жесткой конструкции, которая может выдержать вес падающего инструмента.
4. Перед использованием убедитесь в том, что строп надежно закреплен со всех концов.
5. Проверяйте инструмент и строп перед каждым использованием на предмет исправности и отсутствия повреждений (включая состояние ткани и швов). Не используйте поврежденные или неисправные приспособления.

6. Не оборачивайте стропы вокруг предметов с острыми или зазубренными краями и не допускайте соприкосновения стропов с такими предметами.
7. Прикрепите другой конец стропа за пределами рабочей зоны таким образом, чтобы падающий инструмент надежно фиксировался.
8. Прикрепите строп таким образом, чтобы в случае падения инструмент двигался в противоположном от оператора направлении. Упавшие инструменты будут раскачиваться на стропах, что может привести к травме или потере баланса.
9. Не используйте вблизи движущихся частей или работающего оборудования. Несоблюдение этого требования может привести к механическим повреждениям или запутыванию.
10. Не переносите инструмент, держа за крепежное приспособление или строп.
11. Переключайте инструмент из одной руки в другую только находясь в устойчивом положении.
12. Прикрепляя стропы к инструменту, следите за тем, чтобы они не препятствовали нормальной работе защитных приспособлений, переключателей или рычагов блокировки.
13. Не допускайте запутывания в стропах.
14. Держите строп на расстоянии от зоны резания инструмента.
15. Используйте универсальные карабины и карабины с винтовым замком. Не используйте карабины одностороннего действия с пружинным фиксатором.
16. Если инструмент упал, его следует пометить, прекратить его эксплуатацию и отправить на завод или в авторизованный сервисный центр Makita для проверки.

ОБСЛУЖИВАНИЕ

▲ВНИМАНИЕ: Перед проведением проверки или работ по техобслуживанию всегда проверяйте, что инструмент выключен, а блок аккумулятора снят.

ПРИМЕЧАНИЕ: Запрещается использовать бензин, растворители, спирт и другие подобные жидкости. Это может привести к обесцвечиванию, деформации и трещинам.

Для обеспечения БЕЗОПАСНОСТИ и НАДЕЖНОСТИ оборудования ремонт, любое другое техобслуживание или регулировку необходимо производить в уполномоченных сервис-центрах Makita или сервис-центрах предприятия с использованием только сменных частей производства Makita.

ДОПОЛНИТЕЛЬНЫЕ ПРИНАДЛЕЖНОСТИ

⚠ ВНИМАНИЕ: Данные принадлежности или приспособления рекомендуются для использования с инструментом Makita, указанным в настоящем руководстве. Использование других принадлежностей или приспособлений может привести к получению травмы. Используйте принадлежность или приспособление только по указанному назначению.

Если вам необходимо содействие в получении дополнительной информации по этим принадлежностям, свяжитесь с вашим сервис-центром Makita.

- Головки сверл
- Оригинальный аккумулятор и зарядное устройство Makita

ПРИМЕЧАНИЕ: Некоторые элементы списка могут входить в комплект инструмента в качестве стандартных приспособлений. Они могут отличаться в зависимости от страны.





Makita Europe N.V. Jan-Baptist Vinkstraat 2,
3070 Kortenberg, Belgium

Makita Corporation 3-11-8, Sumiyoshi-cho,
Anjo, Aichi 446-8502 Japan

www.makita.com

| |
|---|
| 885869-986 EN, SV, NO, FI, DA, LV, LT, ET, RU 20201202 |
|---|