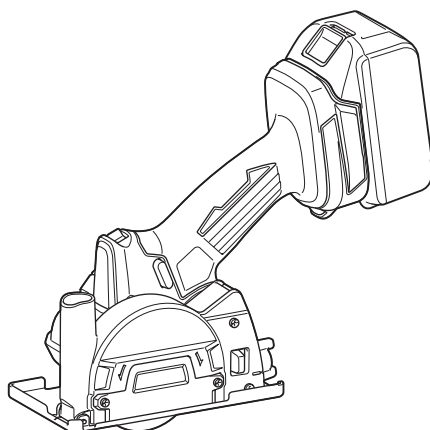




EN	Cordless Compact Cut Off	INSTRUCTION MANUAL	8
SV	Batteridrivnen kompakt kapmaskin	BRUKSANVISNING	17
NO	Batteridrevet kompakt kappsag	BRUKSANVISNING	26
FI	Johdoton kompakti katkaisusaha	KÄYTTÖOHJE	35
DA	Ledningfri kompakt afskæring	BRUGSANVISNING	44
LV	Akumulatora slīpmašīna	LIETOŠANAS INSTRUKCIJA	53
LT	Akumuliatorinis kampinis šlifuoklis	NAUDOJIMO INSTRUKCIJA	62
ET	Akunurklivija	KASUTUSJUHEND	71
RU	Аккумуляторная отрезная дисковая пила	РУКОВОДСТВО ПО ЭКСПЛУАТАЦИИ	80

## DMC300



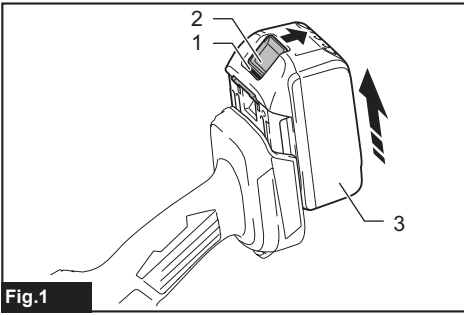


Fig.1

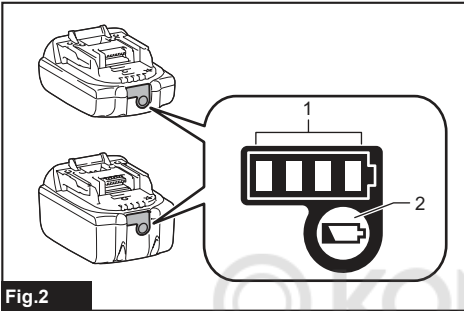


Fig.2

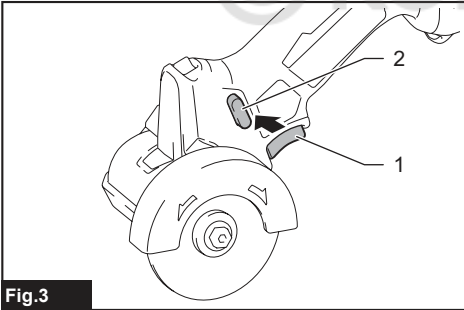


Fig.3

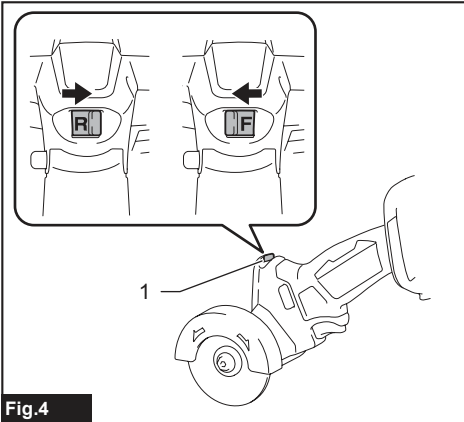


Fig.4

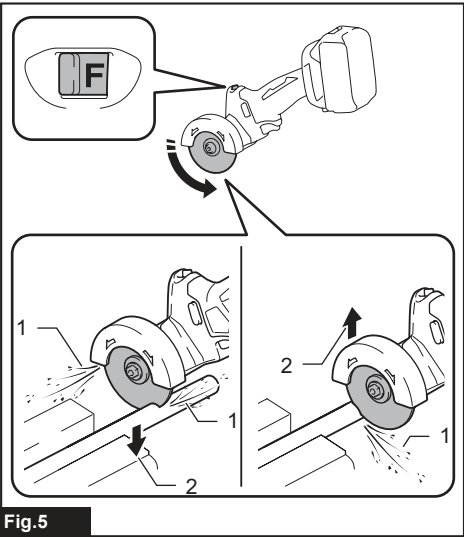


Fig.5

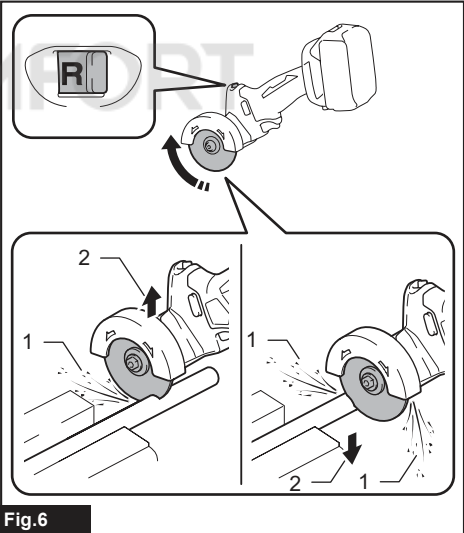


Fig.6

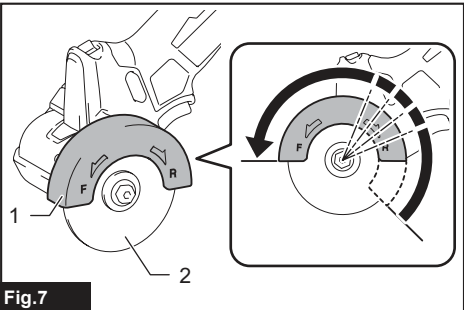


Fig.7

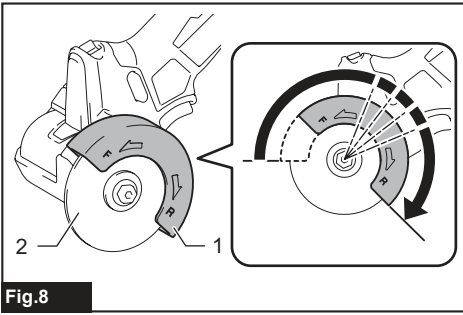


Fig.8

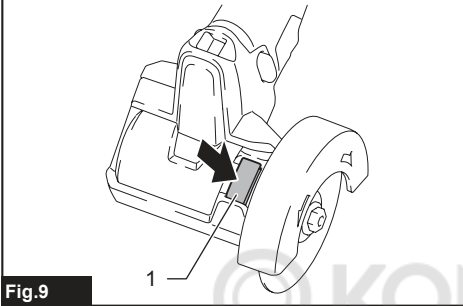


Fig.9

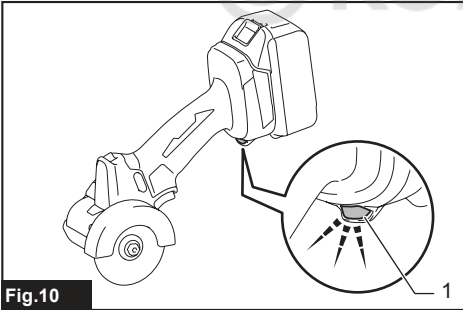


Fig.10

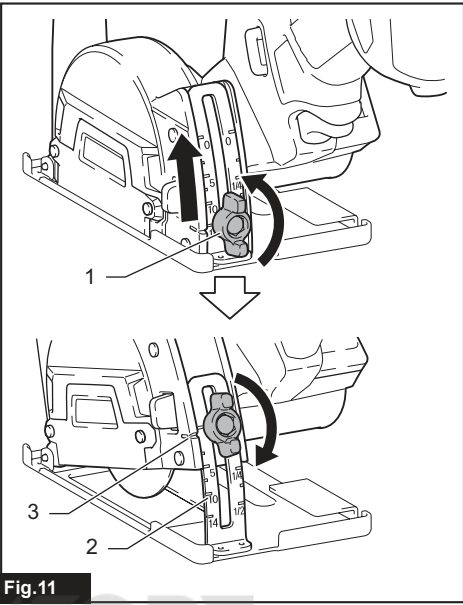


Fig.11

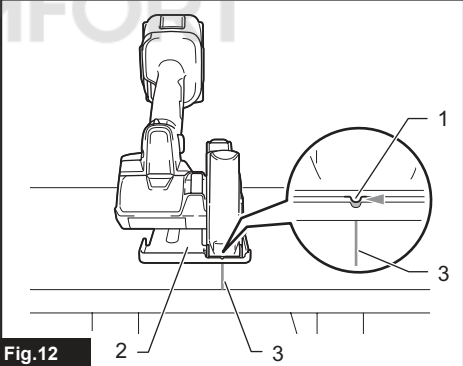


Fig.12

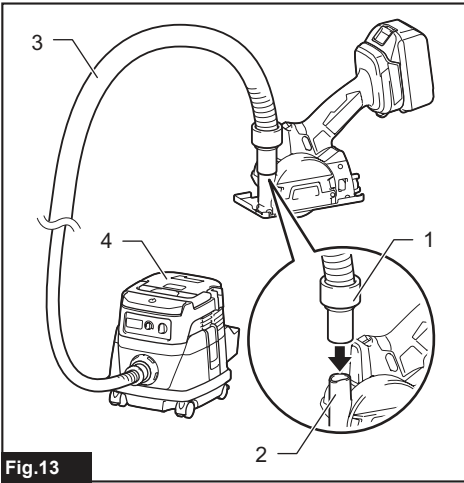


Fig.13

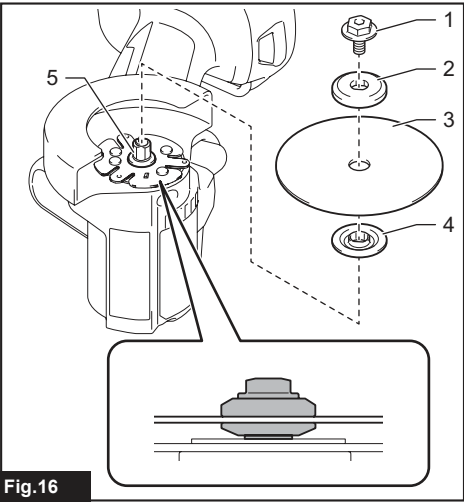


Fig.16

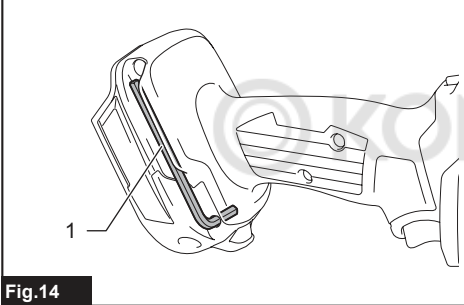


Fig.14

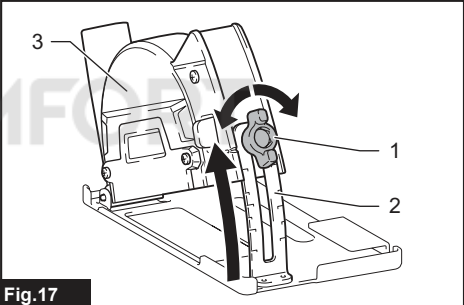


Fig.17

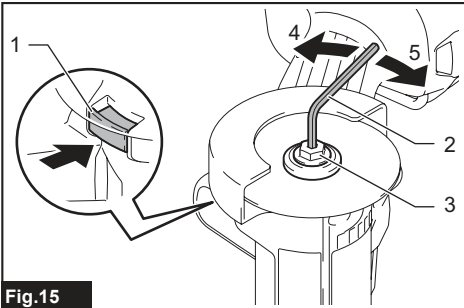


Fig.15

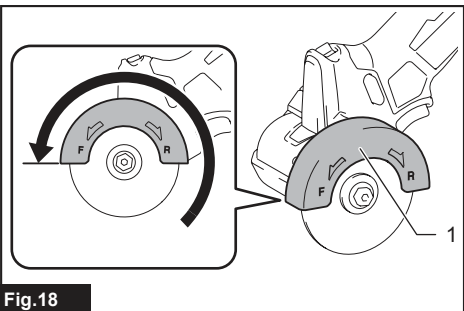
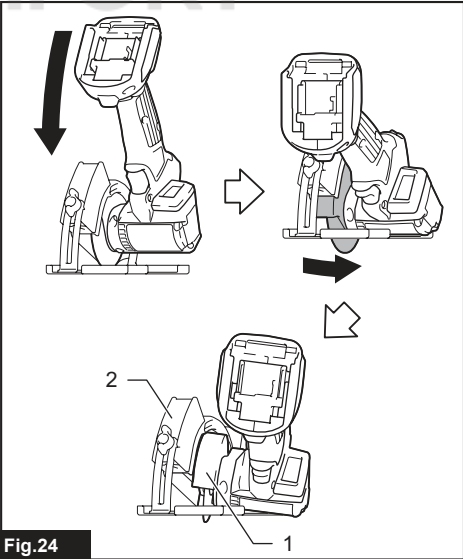
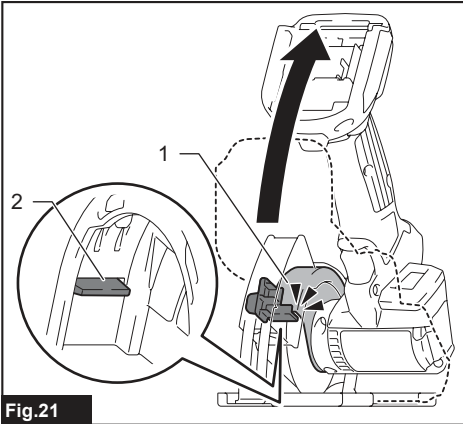
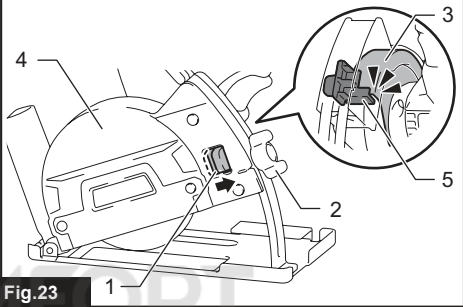
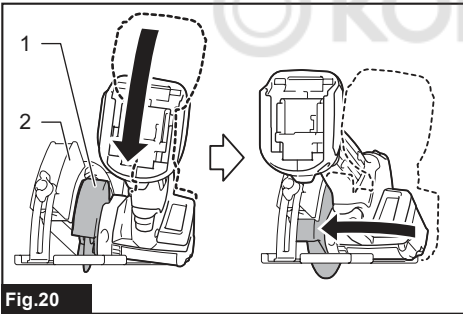
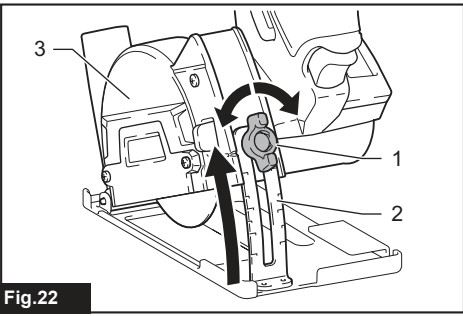
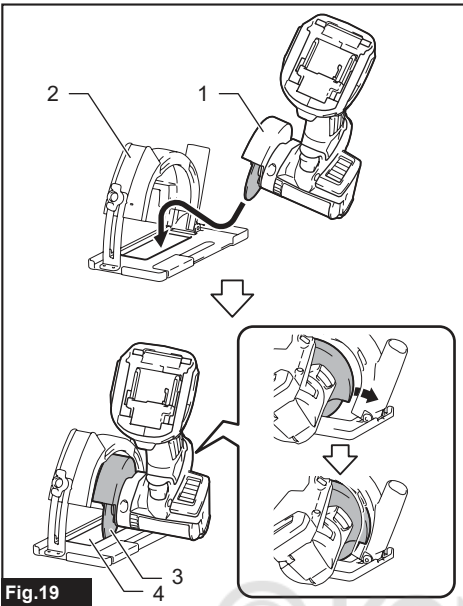
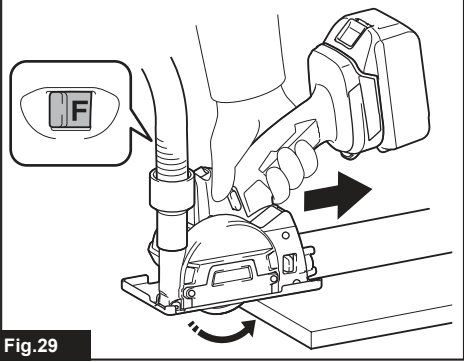
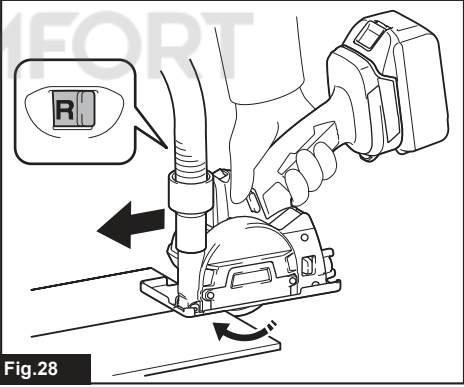
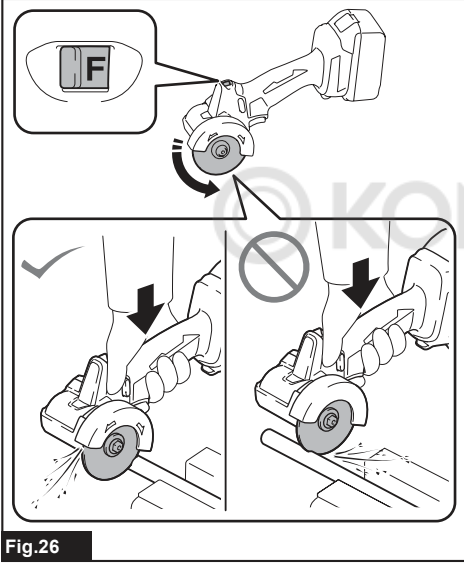
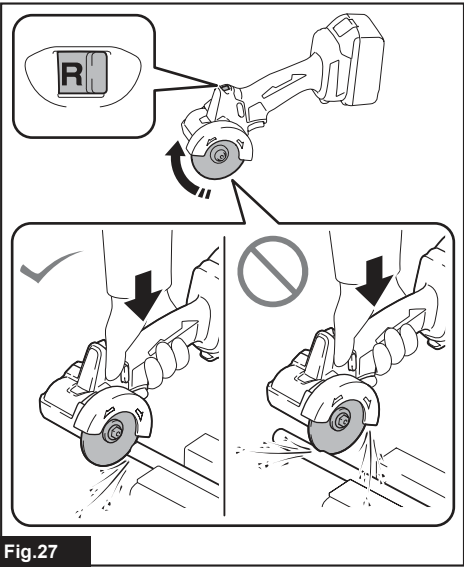
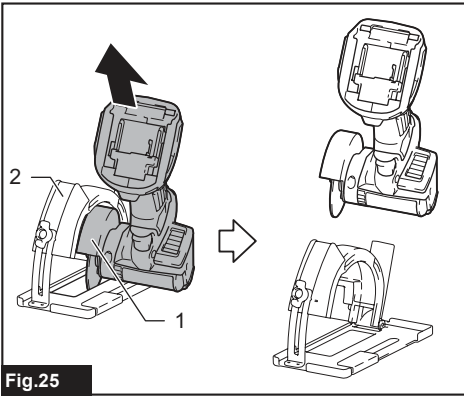
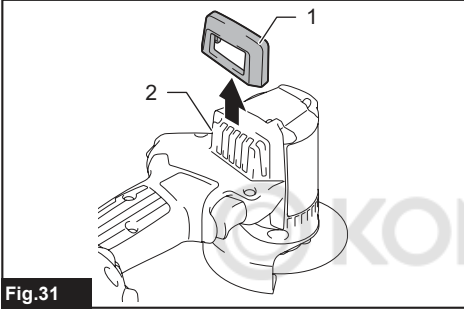
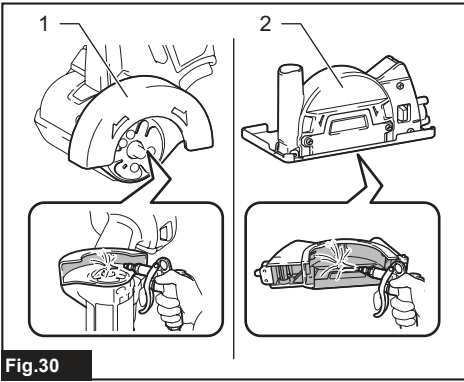


Fig.18







# SPECIFICATIONS

<b>Model:</b>		<b>DMC300</b>
Wheel outer diameter		76 mm
Wheel inner (arbor) diameter		10.0 mm / 9.5 mm (3/8") (country specific)
Max. wheel thickness		1.0 mm
Max. cutting capacities	With dust collect cover	13.5 mm
	Without dust collect cover	16.0 mm
Rated speed (n) / No load speed (n <sub>0</sub> )		20,000 min <sup>-1</sup>
Overall length		271 mm *1
Rated voltage		D.C. 18 V
Net weight		1.2 - 1.7 kg

\*1. With battery cartridge (BL1860B) / Without dust collection cover

- Due to our continuing program of research and development, the specifications herein are subject to change without notice.
- Specifications and battery cartridge may differ from country to country.
- The weight may differ depending on the attachment(s), including the battery cartridge. The lightest and heaviest combinations, according to EPTA-Procedure 01/2014, are shown in the table.

## Applicable battery cartridge and charger

Battery cartridge	BL1815N / BL1820B / BL1830B / BL1840B / BL1850B / BL1860B
Charger	DC18RC / DC18RD / DC18RE / DC18SD / DC18SE / DC18SF / DC18SH / DC18WC

- Some of the battery cartridges and chargers listed above may not be available depending on your region of residence.

**⚠WARNING:** Only use the battery cartridges and chargers listed above. Use of any other battery cartridges and chargers may cause injury and/or fire.

## Intended use

The tool is intended for cutting a sheet, fitting, pipe, tile or wall in metal, plastic, ceramic, plaster and similar composite materials without use of water.

## Noise

The typical A-weighted noise level determined according to EN60745-2-22:

Sound pressure level (L<sub>pA</sub>) : 88 dB (A)

Sound power level (L<sub>WA</sub>) : 99 dB (A)

Uncertainty (K) : 3 dB (A)

**NOTE:** The declared noise emission value(s) has been measured in accordance with a standard test method and may be used for comparing one tool with another.

**NOTE:** The declared noise emission value(s) may also be used in a preliminary assessment of exposure.

**⚠WARNING:** Wear ear protection.

**⚠WARNING:** The noise emission during actual use of the power tool can differ from the declared value(s) depending on the ways in which the tool is used especially what kind of workpiece is processed.

**⚠WARNING:** Be sure to identify safety measures to protect the operator that are based on an estimation of exposure in the actual conditions of use (taking account of all parts of the operating cycle such as the times when the tool is switched off and when it is running idle in addition to the trigger time).

## Vibration

The vibration total value (tri-axial vector sum) determined according to EN60745-2-22:

Work mode: concrete cutting (thickness 5 mm)

Vibration emission (a<sub>h</sub>) : 3.0 m/s<sup>2</sup>

Uncertainty (K) : 1.5 m/s<sup>2</sup>



**NOTE:** The declared vibration total value(s) has been measured in accordance with a standard test method and may be used for comparing one tool with another.

**NOTE:** The declared vibration total value(s) may also be used in a preliminary assessment of exposure.

**⚠WARNING:** The vibration emission during actual use of the power tool can differ from the declared value(s) depending on the ways in which the tool is used especially what kind of workpiece is processed.

**⚠WARNING:** Be sure to identify safety measures to protect the operator that are based on an estimation of exposure in the actual conditions of use (taking account of all parts of the operating cycle such as the times when the tool is switched off and when it is running idle in addition to the trigger time).

## EC Declaration of Conformity

### For European countries only

The EC declaration of conformity is included as Annex A to this instruction manual.

## SAFETY WARNINGS

### General power tool safety warnings

**⚠WARNING:** Read all safety warnings, instructions, illustrations and specifications provided with this power tool. Failure to follow all instructions listed below may result in electric shock, fire and/or serious injury.

### Save all warnings and instructions for future reference.

The term "power tool" in the warnings refers to your mains-operated (corded) power tool or battery-operated (cordless) power tool.

### Compact cut off safety warnings

1. **The guard provided with the tool must be securely attached to the power tool and positioned for maximum safety, so the least amount of wheel is exposed towards the operator. Position yourself and bystanders away from the plane of the rotating wheel.** The guard helps to protect operator from broken wheel fragments and accidental contact with wheel.
2. **Use only bonded reinforced or diamond cut-off wheels for your power tool.** Just because an accessory can be attached to your power tool, it does not assure safe operation.
3. **The rated speed of the accessory must be at least equal to the maximum speed marked on the power tool.** Accessories running faster than their rated speed can break and fly apart.

4. **Wheels must be used only for recommended applications. For example: do not grind with the side of cut-off wheel.** Abrasive cut-off wheels are intended for peripheral grinding, side forces applied to these wheels may cause them to shatter.
5. **Always use undamaged wheel flanges that are of correct diameter for your selected wheel.** Proper wheel flanges support the wheel thus reducing the possibility of wheel breakage.
6. **Do not use worn down reinforced wheels from larger power tools.** Wheels intended for a larger power tool are not suitable for the higher speed of a smaller tool and may burst.
7. **The outside diameter and the thickness of your accessory must be within the capacity rating of your power tool.** Incorrectly sized accessories cannot be adequately guarded or controlled.
8. **The arbour size of wheels and flanges must properly fit the spindle of the power tool.** Wheels and flanges with arbour holes that do not match the mounting hardware of the power tool will run out of balance, vibrate excessively and may cause loss of control.
9. **Do not use damaged wheels. Before each use, inspect the wheels for chips and cracks. If power tool or wheel is dropped, inspect for damage or install an undamaged wheel. After inspecting and installing the wheel, position yourself and bystanders away from the plane of the rotating wheel and run the power tool at maximum no load speed for one minute.** Damaged wheels will normally break apart during this test time.
10. **Wear personal protective equipment. Always wear hearing protection. Depending on application, use face shield, safety goggles or safety glasses. As appropriate, wear dust mask, gloves and shop apron capable of stopping small abrasive or workpiece fragments.** The eye protection must be capable of stopping flying debris generated by various operations. The dust mask or respirator must be capable of filtering particles generated by your operation. Prolonged exposure to high intensity noise may cause hearing loss.
11. **Keep bystanders a safe distance away from work area. Anyone entering the work area must wear personal protective equipment.** Fragments of workpiece or of a broken wheel may fly away and cause injury beyond immediate area of operation.
12. **Hold the power tool by insulated gripping surfaces only, when performing an operation where the cutting accessory may contact hidden wiring.** Cutting accessory contacting a "live" wire may make exposed metal parts of the power tool "live" and could give the operator an electric shock.
13. **Never lay the power tool down until the accessory has come to a complete stop.** The spinning wheel may grab the surface and pull the power tool out of your control.
14. **Do not run the power tool while carrying it at your side.** Accidental contact with the spinning accessory could snag your clothing, pulling the accessory into your body.

15. **Regularly clean the power tool's air vents.** The motor's fan will draw the dust inside the housing and excessive accumulation of powdered metal may cause electrical hazards.
16. **Do not operate the power tool near flammable materials.** Sparks could ignite these materials.

#### **Kickback and related warnings**

Kickback is a sudden reaction to a pinched or snagged rotating wheel. Pinching or snagging causes rapid stalling of the rotating wheel which in turn causes the uncontrolled power tool to be forced in the direction opposite of the wheel's rotation at the point of the binding.

For example, if an abrasive wheel is snagged or pinched by the workpiece, the edge of the wheel that is entering into the pinch point can dig into the surface of the material causing the wheel to climb out or kick out. The wheel may either jump toward or away from the operator, depending on direction of the wheel's movement at the point of pinching. Abrasive wheels may also break under these conditions.

Kickback is the result of power tool misuse and/or incorrect operating procedures or conditions and can be avoided by taking proper precautions as given below.

1. **Maintain a firm grip on the power tool and position your body and arm to allow you to resist kickback forces. Always use auxiliary handle, if provided, for maximum control over kickback or torque reaction during start-up.** The operator can control torque reactions or kickback forces, if proper precautions are taken.
2. **Never place your hand near the rotating accessory.** Accessory may kickback over your hand.
3. **Do not position your body in line with the rotating wheel.** Kickback will propel the tool in direction opposite to the wheel's movement at the point of snagging.
4. **Use special care when working corners, sharp edges etc. Avoid bouncing and snagging the accessory.** Corners, sharp edges or bouncing have a tendency to snag the rotating accessory and cause loss of control or kickback.
5. **Do not attach a saw chain, woodcarving blade, segmented diamond wheel with a peripheral gap greater than 10 mm or toothed saw blade.** Such blades create frequent kickback and loss of control.
6. **Do not "jam" the wheel or apply excessive pressure. Do not attempt to make an excessive depth of cut.** Overstressing the wheel increases the loading and susceptibility to twisting or binding of the wheel in the cut and the possibility of kickback or wheel breakage.
7. **When wheel is binding or when interrupting a cut for any reason, switch off the power tool and hold the power tool motionless until the wheel comes to a complete stop. Never attempt to remove the wheel from the cut while the wheel is in motion otherwise kickback may occur.** Investigate and take corrective action to eliminate the cause of wheel binding.
8. **Do not restart the cutting operation in the workpiece. Let the wheel reach full speed and carefully re-enter the cut.** The wheel may bind, walk up or kickback if the power tool is restarted in the workpiece.

9. **Support panels or any oversized workpiece to minimize the risk of wheel pinching and kickback.** Large workpieces tend to sag under their own weight. Supports must be placed under the workpiece near the line of cut and near the edge of the workpiece on both sides of the wheel.
10. **Use extra caution when making a "pocket cut" into existing walls or other blind areas.** The protruding wheel may cut gas or water pipes, electrical wiring or objects that can cause kickback.
11. **Before using a segmented diamond wheel, make sure that the diamond wheel has the peripheral gap between segments of 10 mm or less, only with a negative rake angle.**

#### **Additional Safety Warnings:**

1. **Never attempt to cut with the tool held upside down in a vise.** This can lead to serious accidents, because it is extremely dangerous.
2. **Check that the workpiece is properly supported.**
3. **Some material contains chemicals which may be toxic. Take caution to prevent dust inhalation and skin contact. Follow material supplier safety data.**
4. **Store wheels as per manufacturer recommendations.** Improper storage may damage the wheels.

## **SAVE THESE INSTRUCTIONS.**

**⚠WARNING:** DO NOT let comfort or familiarity with product (gained from repeated use) replace strict adherence to safety rules for the subject product. MISUSE or failure to follow the safety rules stated in this instruction manual may cause serious personal injury.

### **Important safety instructions for battery cartridge**

1. **Before using battery cartridge, read all instructions and cautionary markings on (1) battery charger, (2) battery, and (3) product using battery.**
2. **Do not disassemble or tamper with the battery cartridge.** It may result in a fire, excessive heat, or explosion.
3. **If operating time has become excessively shorter, stop operating immediately. It may result in a risk of overheating, possible burns and even an explosion.**
4. **If electrolyte gets into your eyes, rinse them out with clear water and seek medical attention right away. It may result in loss of your eyesight.**
5. **Do not short the battery cartridge:**
  - (1) **Do not touch the terminals with any conductive material.**
  - (2) **Avoid storing battery cartridge in a container with other metal objects such as nails, coins, etc.**
  - (3) **Do not expose battery cartridge to water or rain.**

A battery short can cause a large current flow, overheating, possible burns and even a breakdown.

6. Do not store and use the tool and battery cartridge in locations where the temperature may reach or exceed 50 °C (122 °F).
7. Do not incinerate the battery cartridge even if it is severely damaged or is completely worn out. The battery cartridge can explode in a fire.
8. Do not nail, cut, crush, throw, drop the battery cartridge, or hit against a hard object to the battery cartridge. Such conduct may result in a fire, excessive heat, or explosion.
9. Do not use a damaged battery.
10. The contained lithium-ion batteries are subject to the Dangerous Goods Legislation requirements.  
For commercial transports e.g. by third parties, forwarding agents, special requirement on packaging and labeling must be observed.  
For preparation of the item being shipped, consulting an expert for hazardous material is required.  
Please also observe possibly more detailed national regulations.  
Tape or mask off open contacts and pack up the battery in such a manner that it cannot move around in the packaging.
11. When disposing the battery cartridge, remove it from the tool and dispose of it in a safe place. Follow your local regulations relating to disposal of battery.
12. Use the batteries only with the products specified by Makita. Installing the batteries to non-compliant products may result in a fire, excessive heat, explosion, or leak of electrolyte.
13. If the tool is not used for a long period of time, the battery must be removed from the tool.
14. During and after use, the battery cartridge may take on heat which can cause burns or low temperature burns. Pay attention to the handling of hot battery cartridges.
15. Do not touch the terminal of the tool immediately after use as it may get hot enough to cause burns.
16. Do not allow chips, dust, or soil stuck into the terminals, holes, and grooves of the battery cartridge. It may cause heating, catching fire, burst and malfunction of the tool or battery cartridge, resulting in burns or personal injury.
17. Unless the tool supports the use near high-voltage electrical power lines, do not use the battery cartridge near high-voltage electrical power lines. It may result in a malfunction or breakdown of the tool or battery cartridge.
18. Keep the battery away from children.

## SAVE THESE INSTRUCTIONS.

**CAUTION:** Only use genuine Makita batteries. Use of non-genuine Makita batteries, or batteries that have been altered, may result in the battery bursting causing fires, personal injury and damage. It will also void the Makita warranty for the Makita tool and charger.

## Tips for maintaining maximum battery life

1. Charge the battery cartridge before completely discharged. Always stop tool operation and charge the battery cartridge when you notice less tool power.
2. Never recharge a fully charged battery cartridge. Overcharging shortens the battery service life.
3. Charge the battery cartridge with room temperature at 10 °C - 40 °C (50 °F - 104 °F). Let a hot battery cartridge cool down before charging it.
4. When not using the battery cartridge, remove it from the tool or the charger.
5. Charge the battery cartridge if you do not use it for a long period (more than six months).

## FUNCTIONAL DESCRIPTION

**CAUTION:** Always be sure that the tool is switched off and the battery cartridge is removed before adjusting or checking function on the tool.

## Installing or removing battery cartridge

**CAUTION:** Always switch off the tool before installing or removing of the battery cartridge.

**CAUTION:** Hold the tool and the battery cartridge firmly when installing or removing battery cartridge. Failure to hold the tool and the battery cartridge firmly may cause them to slip off your hands and result in damage to the tool and battery cartridge and a personal injury.

► Fig. 1: 1. Red indicator 2. Button 3. Battery cartridge

To remove the battery cartridge, slide it from the tool while sliding the button on the front of the cartridge.

To install the battery cartridge, align the tongue on the battery cartridge with the groove in the housing and slip it into place. Insert it all the way until it locks in place with a little click. If you can see the red indicator as shown in the figure, it is not locked completely.

**CAUTION:** Always install the battery cartridge fully until the red indicator cannot be seen. If not, it may accidentally fall out of the tool, causing injury to you or someone around you.

**CAUTION:** Do not install the battery cartridge forcibly. If the cartridge does not slide in easily, it is not being inserted correctly.

## Indicating the remaining battery capacity

Only for battery cartridges with the indicator

► Fig.2: 1. Indicator lamps 2. Check button

Press the check button on the battery cartridge to indicate the remaining battery capacity. The indicator lamps light up for a few seconds.

Indicator lamps			Remaining capacity
Lighted	Off	Blinking	
■	□	▧	75% to 100%
■ ■ ■ ■			
■ ■ ■ □			50% to 75%
■ ■ □ □			25% to 50%
■ □ □ □			0% to 25%
▧ □ □ □			Charge the battery.
■ ■ □ □			The battery may have malfunctioned.
□ □ ■ ■			

**NOTE:** Depending on the conditions of use and the ambient temperature, the indication may differ slightly from the actual capacity.

**NOTE:** The first (far left) indicator lamp will blink when the battery protection system works.

## Tool / battery protection system

The tool is equipped with a tool/battery protection system. This system automatically cuts off power to the motor to extend tool and battery life. The tool will automatically stop during operation if the tool or battery is placed under one of the following conditions.

### Overload protection

When the tool/battery is operated in a manner that causes it to draw an abnormally high current, the tool stops automatically and the operation lamp will blink. In this situation, turn the tool off and stop the application that caused the tool to become overloaded. Then turn the tool on to restart.

### Overheat protection

When the tool/battery is overheated, the tool stops automatically and the operation lamp will blink. In this situation, let the tool cool down before turning the tool on again.

### Overdischarge protection

When the battery capacity becomes low, the tool stops automatically. If the tool does not run along with the switch operation, remove the battery from the tool and charge it.

## Protections against other causes

Protection system is also designed for other causes that could damage the tool and allows the tool to stop automatically. Take all the following steps to clear the causes, when the tool has been brought to a temporary halt or stop in operation.

1. Turn the tool off, and then turn it on again to restart.
2. Charge the battery(ies) or replace it/them with recharged battery(ies).
3. Let the tool and battery(ies) cool down.

If no improvement can be found by restoring protection system, then contact your local Makita Service Center.

## Switch action

**⚠WARNING:** NEVER use the tool if it runs when you simply pull the switch trigger without pressing the lock-off button. A switch in need of repair may result in unintentional operation and serious personal injury. Return tool to a Makita service center for proper repairs BEFORE further usage.

**⚠WARNING:** NEVER defeat the lock-off button by taping down or some other means. A switch with a negated lock-off button may result in unintentional operation and serious personal injury.

**⚠CAUTION:** Before installing the battery cartridge into the tool, always check to see that the switch trigger actuates properly and returns to the "OFF" position when released.

**⚠CAUTION:** Do not pull the switch trigger hard without pressing in the lock-off button. This can cause switch breakage.

**⚠CAUTION:** The tool starts to brake the wheel rotation immediately after you release the switch trigger. Hold the tool firmly to respond the reaction of the brake when releasing the switch trigger. Sudden reaction can drop the tool off your hand and can cause a personal injury.

To prevent the switch trigger from being accidentally pulled, a lock-off button is provided. To start the tool, press and hold the lock-off button, and then pull the switch trigger. Release the switch trigger to stop.

► Fig.3: 1. Switch trigger 2. Lock-off button

## Wheel selection

**⚠CAUTION:** The outside diameter, thickness and rated speed of your accessory must be within the capacity rating of your power tool.

**⚠CAUTION:** Wheels must be used only for recommended applications.

Select one of the most appropriate types of cutting wheels according to your application.

Wheel type	Practical applications
Cut off wheel	Cutting steel, stainless steel, metals
Tungsten carbide grit wheel	Cutting plastics, plaster, composite materials
Diamond Wheel	Cutting tiles, ceramics

## Wheel rotation direction

**CAUTION:** Always check the direction of rotation before operation.

**CAUTION:** Use the reversing switch only after the tool comes to a complete stop. A sudden switch in rotation direction during operation brings the tool to a sharp stop for safety reasons.

Wheel rotation can be changed in either forward or reverse direction.

To set the forward rotation, slide the reversing switch to the left until "F" indication appears on the switch.

To select the reverse rotation, slide the reversing switch to the right until "R" indication appears on the switch.

► Fig.4: 1. Reversing switch

Chips, debris, sparks, and cutting particles tend to fly off along a tangent direction of the wheel rotation. Use the wheel guard effectively to avoid continued exposure towards cut-off particles so it can discharge some of cutting dust and particles into an alternative direction.

A reaction to a rapid stalling of the rotating wheel could make the tool uncontrolled in the direction opposite to the wheel rotation.

### Forward rotation

► Fig.5: 1. Cut-off particles 2. Reactions

### Reverse rotation

► Fig.6: 1. Cut-off particles 2. Reactions

## Wheel guard

**CAUTION:** Make sure that the wheel guard is correctly and firmly positioned behind the cutting wheel before operation.

Secure the wheel guard in a comfortable position, for maximum safety and minimum exposure to possible risk factors, according to your work conditions and preferences.

### Positioning forwards

► Fig.7: 1. Wheel guard 2. Cutting wheel

### Positioning backwards

► Fig.8: 1. Wheel guard 2. Cutting wheel

## Shaft lock

Press the shaft lock to prevent spindle rotation when installing and removing a cutting wheel.

► Fig.9: 1. Shaft lock

**NOTICE:** Never actuate the shaft lock when the spindle is moving. The tool may be damaged.

## Operation lamp

**CAUTION:** Do not look in the light or see the source of light directly.

To turn on the operation lamp, press and hold the lock-off button and pull the switch trigger.

The lamp goes out approximately 15 seconds after releasing the switch trigger.

► Fig.10: 1. Operation lamp

**NOTICE:** When the tool is operated with excessive load, the operation lamp flashes. In this situation, release the switch trigger, and then reduce the load on the tool before operating again.

**NOTICE:** When the tool is overheated, the operation lamp flashes. In this case, release the switch trigger, and then cool down the tool/battery before operating again.

**NOTE:** Use a dry cloth to wipe the dirt off the lens of the lamp. Be careful not to scratch the lens of lamp, or it may lower the illumination.

## Adjusting depth of cut

**CAUTION:** After adjusting the depth of cut, always tighten the thumb screw securely.

With the dust collection cover installed, fine adjustments in the cutting depth can be made up to 13.5 mm.

Loosen the thumb screw on the depth scale. Lift or lower the tool handle into position to align the depth indicators on the cover with your desired cutting depth on the scale. Then tightening the thumb screw.

► Fig.11: 1. Thumb screw 2. Depth scale 3. Depth indicator

**CAUTION:** For clean and safe cutting, set the cutting depths so that a cutting wheel overpasses the undersurface of workpiece by 2.0 mm or less. Setting in proper cutting depths helps to reduce potential for dangerous kickbacks which may cause personal injury.

## Sighting for straight cutting

With the dust collection cover installed, straight cut operation can safely be performed by aligning the cutting wheel toward the cutting direction before the actual cut operation.

Align the guide notch in the base of dust collection cover with your intended cutting line on the workpiece.

► Fig.12: 1. Guide notch 2. Base 3. Cutting line

## Connecting a vacuum cleaner

### Optional accessory

When you wish to perform clean cutting operation, connect a Makita vacuum cleaner to the dust nozzle in the dust collection cover using a front cuffs 22 (optional accessory).

► Fig.13: 1. Front cuffs 22 2. Dust nozzle 3. Hose 4. Vacuum cleaner

## Accidental re-start preventive function

When installing the battery cartridge while pulling the switch trigger, the tool will not start.

To start the tool, release the switch trigger first. Press and hold the lock-off button, and then pull the switch trigger.

## Electronic function

The tool is equipped with the electronic functions for easy operation.

- **Electric brake**  
This tool is equipped with an electric brake. If the tool consistently fails to quickly cease to function after the switch trigger is released, have the tool serviced at a Makita service center.
- **Constant speed control**  
The speed control function provides the constant rotation speed regardless of load conditions.
- **Active Feedback sensing Technology**  
The tool electronically detects situations in which the cutting wheel may be at risk to be bound. In the situation, the tool automatically stops to prevent further rotation of the spindle (it does not prevent kickback). In this case, release the switch trigger first, remove the cause of sudden drop in the rotation speed, and then pull the switch trigger to restart the tool.

## ASSEMBLY

**CAUTION:** Always be sure that the tool is switched off and the battery cartridge is removed before carrying out any work on the tool.

### Hex wrench storage

When not in use, store the hex wrench as shown in the figure to keep it from being lost.

- **Fig.14:** 1. Hex wrench

### Removing and installing cutting wheel

**CAUTION:** Use only the Makita hex wrench supplied to remove and install a cutting wheel.

**CAUTION:** When installing a cutting wheel, be sure to tighten the bolt securely.

**NOTICE:** When installing a diamond wheel for its best performance, always make sure that the arrows on the diamond wheel point in the same direction as your desired wheel rotation.

To remove a cutting wheel, press the shaft lock fully so that the cutting wheel cannot revolve and use the hex wrench to loosen the hex bolt counterclockwise. Then remove the hex bolt, outer flange and cutting wheel.

- **Fig.15:** 1. Shaft lock 2. Hex wrench 3. Hex bolt 4. Loosen 5. Tighten

**NOTICE:** If the inner flange is removed, place it back onto the spindle with its wheel mounting part facing upwards.

To install a cutting wheel, follow the removal procedure in reverse.

- **Fig.16:** 1. Hex bolt 2. Outer flange 3. Cutting wheel 4. Inner flange 5. Spindle

## Installing and removing dust collection cover

**CAUTION:** Make sure that the wheel guard is securely locked by the stopper inside the dust collection cover before operation.

**CAUTION:** Avoid using the dust collection cover for metalwork which creates heats and flying sparks as it may melt the plastic components of the dust collection cover.

The dust collection cover enhances safe and efficient cutting operation, providing a safeguard against rotating wheel, cutting stability, precise control over cutting depth, and dust extraction solutions, especially at tile, plaster, stoneware cuttings.

### Installing dust collection cover

1. Loosen the thumb screw on the depth scale of the dust collection cover. Lift the cover fully up, and then tighten the thumb screw to secure the dust collection cover in a raised position.

- **Fig.17:** 1. Thumb screw 2. Depth scale 3. Dust collection cover

2. Set the wheel guard on the tool in a forward position.

- **Fig.18:** 1. Wheel guard

3. Raise the tool handle slightly and place the front half of the wheel guard at an angle into the dust collection cover, throwing the bottom of the cutting wheel down through the wheel slot in the base.

- **Fig.19:** 1. Wheel guard 2. Dust collection cover 3. Cutting wheel 4. Wheel slot

4. Install the rear half of the wheel guard in the dust collection cover, while lowering the tool handle from a raised position to a down position.

- **Fig.20:** 1. Wheel guard 2. Dust collection cover

5. Raise the tool handle again to hook the rear edge of the wheel guard over the stopper inside the dust collection cover.

- **Fig.21:** 1. Wheel guard 2. Stopper

6. Loosen the thumb screw. Swing the tool up and down at your desired cutting depth. Then tighten the thumb screw to secure the tool in place.

### Removing dust collection cover

1. Loosen the thumb screw on the depth scale of the dust collection cover. Lift the tool handle fully up, and then tighten the thumb screw to secure the dust collection cover in a raised position.

- **Fig.22:** 1. Thumb screw 2. Depth scale 3. Dust collection cover

2. Slide the release lever towards the thumb screw to unlock the wheel guard from the stopper inside the dust collection cover.

- **Fig.23:** 1. Release lever 2. Thumb screw 3. Wheel guard 4. Dust collection cover 5. Stopper

3. Dismount the rear half of the wheel guard from the dust collection cover, while lowering the tool handle from a raised position to a down position.

► Fig.24: 1. Wheel guard 2. Dust collection cover

4. Pull the front half of the wheel guard, at a slight upward and outward angle, apart from the dust collection cover.

► Fig.25: 1. Wheel guard 2. Dust collection cover

## OPERATION

**CAUTION:** Always maintain a firm grip on the tool during operation.

**CAUTION:** Do not force the tool. Forcing and exerting excessive pressure or allowing the wheel to bend, pinch or twist in the cut can cause overheating of the motor and dangerous kickback of the tool.

**CAUTION:** When cutting plastics, be sure not to overheat the cutting wheel. It may result in melting the workpiece.

**CAUTION:** Do not bang or bump a cutting wheel when starting or during operation.

**CAUTION:** Always wear safety goggles or a face shield during operation.

**CAUTION:** After operation, always switch off the tool and wait until the wheel has come to a complete stop before putting the tool down.

## Down cutting

**NOTICE:** Exercise due care about using an effective cutting surface of the wheel so as to avoid exposure towards cut-off particles.

**NOTICE:** Keep a cutting wheel stand straight in workpiece and avoid tilting or swinging the tool during operation.

Position the wheel guard correctly to provide maximum protection from sparks and loose particles thrown from the cutting wheel. Place the tool over workpiece without the cutting wheel making any contact. Turn the tool on and wait until the cutting wheel attains full speed. Then slowly lower the tool over the workpiece surface, using a moderate feed suited to your applications.

### Forward rotation

► Fig.26

### Reverse rotation

► Fig.27

## Straight cutting

**CAUTION:** Be sure that a cutting wheel always works in an up-grinding motion. It otherwise may cause the tool to be pushed uncontrolled out of the cut.

**NOTICE:** Keep your cutting line straight and apply steady pressure to obtain a uniform cut through workpiece.

Set the base plate of dust collection cover on workpiece to be cut without the cutting wheel making any contact. Turn the tool on and wait until the cutting wheel attains full speed. Then slowly move the tool over the workpiece surface, keeping it flat and advancing smoothly until the cutting is completed.

Select the reverse rotation for push cutting, and the forward rotation for pull cutting.

### Push cutting in reverse rotation

► Fig.28

### Pull cutting in forward rotation

► Fig.29

**NOTE:** Be aware that the dust collection cover tends to function less effectively in pull cutting as some cutting particles spread inside the cover against the dust extraction flow.

## MAINTENANCE

**CAUTION:** Always be sure that the tool is switched off and the battery cartridge is removed before attempting to perform inspection or maintenance.

**NOTICE:** Never use gasoline, benzine, thinner, alcohol or the like. Discoloration, deformation or cracks may result.

To maintain product SAFETY and RELIABILITY, repairs, any other maintenance or adjustment should be performed by Makita Authorized or Factory Service Centers, always using Makita replacement parts.

## Dressing diamond wheel

If the cutting action of the diamond wheel begins to diminish, use an old discarded coarse grit bench grinder wheel or concrete block to dress the diamond wheel. To do this, tightly secure the bench grinder wheel or concrete block and cut in it.

## After use

Clean the dust inside the tool by running the tool at an idle for a while. Accumulation of dust in the motor may cause a malfunction of the tool.

## Cleaning wheel guard and dust collection cover

Clean inside the wheel guard and dust collection cover at regular intervals. Blow or wipe off any dirt or dust accumulated in them.

► **Fig.30:** 1. Wheel guard 2. Dust collection cover

## Air vent cleaning

Clean the air vents of the tool at regular intervals for smooth air circulation. Remove the dust cover from inhalation vent and clean it whenever it becomes dirt and clogged.

► **Fig.31:** 1. Dust cover 2. Inhalation vent

## OPTIONAL ACCESSORIES

**⚠ CAUTION:** These accessories or attachments are recommended for use with your Makita tool specified in this manual. The use of any other accessories or attachments might present a risk of injury to persons. Only use accessory or attachment for its stated purpose.

If you need any assistance for more details regarding these accessories, ask your local Makita Service Center.

- Cut off wheel
- Diamond wheel
- Tungsten carbide grit wheel
- Hex wrench
- Makita genuine battery and charger

**NOTE:** Some items in the list may be included in the tool package as standard accessories. They may differ from country to country.



## SPECIFIKATIONER

<b>Modell:</b>	<b>DMC300</b>	
Skivans ytterdiameter	76 mm	
Skivans innerdiameter (axel)	10,0 mm / 9,5 mm (3/8") (landsspecifk)	
Max. skivtjocklek	1,0 mm	
Max. kapningskapacitet	Med dammuppsamlingskylld	13,5 mm
	Utam dammuppsamlingskylld	16,0 mm
Nominellt varvtal (n)/hastighet utan belastning (n <sub>0</sub> )	20 000 min <sup>-1</sup>	
Total längd	271 mm *1	
Märkspänning	18 V likström	
Nettovikt	1,2 - 1,7 kg	

\*1. Med batterikassett (BL1860B)/utan dammuppsamlingskylld

- På grund av vårt pågående program för forskning och utveckling kan dessa specifikationer ändras utan föregående meddelande.
- Specifikationer och batterikassett kan variera mellan olika länder.
- Vikten kan variera beroende på tillbehören, inklusive batterikassett. Den lättaste och den tyngsta kombinationen enligt EPTA-procedur 01/2014 visas i tabellen.

### Tillgänglig batterikassett och laddare

Batterikassett	BL1815N / BL1820B / BL1830B / BL1840B / BL1850B / BL1860B
Laddare	DC18RC / DC18RD / DC18RE / DC18SD / DC18SE / DC18SF / DC18SH / DC18WC

- Vissa av batterikassetterna och laddarna på listan ovan kanske inte finns tillgängliga i din region.

**⚠ VARNING: Använd endast batterikassetter och laddare från listan ovan.** Användning av andra batterikassetter och laddare kan orsaka personskada och/eller brand.

### Avsedd användning

Verktyget är avsett för kapning av skivor, kopplingar, rör, kakel eller väggar i metall, plast, keramik, gips och liknande kompositmaterial utan användning av vatten.

### Buller

Den normala bullernivån för A-belastning är bestämd enligt EN60745-2-22:

Ljudtrycksnivå (L<sub>PA</sub>) : 88 dB (A)

Ljudeffektnivå (L<sub>WA</sub>) : 99 dB (A)

Måttolerans (K): 3 dB (A)

**OBS:** Det deklarerade bullervärdet har uppmätts i enlighet med standardtestmetoden och kan användas för jämförandet av en maskin med en annan.

**OBS:** Det deklarerade bulleremissionsvärdet kan också användas i en preliminär bedömning av exponering för vibration.

**⚠ VARNING: Använd hörselskydd.**

**⚠ VARNING:** Bulleremissionen under faktisk användning av maskinen kan skilja sig från det deklarerade värdet, beroende på hur maskinen används och särskilt vilken typ av arbetsstycke som behandlas.

**⚠ VARNING:** Var noga med att identifiera säkerhetsåtgärder för att skydda användaren, vilka är grundade på en uppskattning av graden av exponering för vibrationer under de faktiska användningsförhållandena, (ta, förutom avtryckartiden, med alla delar av användarcykeln i beräkningen, som till exempel tiden då maskinen är avstängd och när den går på tomgång).

### Vibration

Det totala vibrationsvärdet (treaxlad vektorsumma) bestämt enligt EN60745-2-22:

Arbetsläge: betongkapning (tjocklek 5 mm)

Vibrationsemission (a<sub>h</sub>) : 3,0 m/s<sup>2</sup>

Måttolerans (K): 1,5 m/s<sup>2</sup>

**OBS:** Det deklarerade totala vibrationsvärdet har uppmätts i enlighet med standardtestmetoden och kan användas för jämförandet av en maskin med en annan.

**OBS:** Det deklarerade totala vibrationsvärdet kan också användas i en preliminär bedömning av exponering för vibration.

**⚠️ VARNING:** Vibrationsemissionen under faktisk användning av maskinen kan skilja sig från det deklarerade värdet, beroende på hur maskinen används och särskilt vilken typ av arbetsstycke som behandlas.

**⚠️ VARNING:** Var noga med att identifiera säkerhetsåtgärder för att skydda användaren, vilka är grundade på en uppskattning av graden av exponering för vibrationer under de faktiska användningsförhållandena, (ta, förutom avtryckartiden, med alla delar av användarcykeln i beräkningen, som till exempel tiden då maskinen är avstängd och när den går på tomgång).

## EG-försäkran om överensstämmelse

### Gäller endast inom EU

EG-försäkran om överensstämmelse inkluderas som bilaga A till denna bruksanvisning.

## SÄKERHETSVARNINGAR

### Allmänna säkerhetsvarningar för maskiner

**⚠️ VARNING:** Läs alla säkerhetsvarningar, anvisningar, illustrationer och specifikationer som medföljer det här maskinen. Underlåtenhet att följa instruktionerna kan leda till elstöt, brand och/eller allvarliga personskador.

## Spara alla varningar och instruktioner för framtida referens.

Termen "maskin" som anges i varningarna hänvisar till din eldrivna maskin (sladdansluten) eller batteridrivna maskin (sladdlös).

### Säkerhetsvarningar för kompakt kapsmaskin

1. **Sprängskyddet** som medföljer verktyget måste vara ordentligt fäst vid verktyget och placerat för maximal säkerhet, så att minsta möjliga yta av kapskivan är öppen mot användaren. Se till att du själv och kringstående personer är ur vägen för den roterande kapskivan. Sprängskyddet skyddar användaren mot trasiga skivfragment och oavsiktlig kontakt med kapskivan.
2. **Elverktyget får endast användas med förstärkta kapskivor eller diamanthkapskivor.** Även om ett tillbehör kan fästas på elverktyget garanterar detta inte säker användning.
3. **Tillbehörets nominella varvtal måste vara minst lika med det maximala varvtalet som anges på verktyget.** Tillbehör som används över det nominella varvtalet kan gå sönder och orsaka skador.
4. **Kapskivorna får endast användas till rekommenderade arbetsuppgifter.** Till exempel: Slipa inte med kapskivans utsida. Slipande kapskivor är avsedda för periferislipning. Sidokrafter kan spränga sådana skivor.

5. **Använd alltid oskadade skivflänsar i rätt diameter till din kapskiva.** Rätt skivflänsar stöder kapskivan och minskar därigenom risken för att skivan går sönder.
6. **Använd inte nedslitna förstärkta skivor från större elverktyg.** Skivor avsedda för större elverktyg är inte lämpliga för mindre verktygs högre varvtal och kan spricka.
7. **Tillbehörets ytterdiameter och tjocklek måste vara anpassad till elverktygets kapacitetsklassning.** Tillbehör i olämplig storlek kan inte skyddas eller styras tillräckligt väl.
8. **Styrhålet på skivor och flänsar måste exakt passa elverktygs spindelstorlek.** Skivor och flänsar med styrhål som inte passar monteringen på elverktyget orsakar obalans, överdriven vibration och eventuellt att användaren förlorar kontrollen över verktyget.
9. **Använd inte skadade skivor. Kontrollera skivorna avseende flisor och sprickor innan varje användning. Om du tappar verktyget eller kapskivan ska du kontrollera att det inte har uppstått några skador, eller montera en oskadad skiva. Efter inspektion och montering av kapskivan ska du kontrollera dig själv och eventuella kringstående personer ur vägen för den roterande skivan och köra verktyget på full hastighet utan last i en minut. Skadade kapskivor går normalt sett sönder under den här testperioden.**
10. **Använd personlig skyddsutrustning. Använd alltid hörselskydd. Använd visir, korgglasögon eller skyddsglasögon beroende på arbetsuppgift. Om så är lämpligt ska du använda andningsskydd, handskar och verkstadsförkläde som kan skydda mot avskrap eller fragment från arbetsstycket. Ögonskyddet måste kunna stoppa flygande fragment som uppstår vid olika arbeten. Andningsskyddet måste kunna filtrera partiklar som uppstår från arbetsuppgifter. Långvarig exponering till kraftigt buller kan orsaka hörselskador.**
11. **Håll personer i omgivningen på säkert avstånd från arbetsområdet. Alla som befinner sig i arbetsområdet måste använda skyddsutrustning.** Fragment från arbetsstycket eller från en trasig kapskiva kan flyga iväg och orsaka skada bortom det omedelbara arbetsområdet.
12. **Håll endast verktyget i de isolerade handtagen om det finns risk för att skärverktyget kan komma i kontakt med en dold elkabel.** Om skärverktyget kommer i kontakt med en strömförande ledning blir verktygets blottlagda metalldelar strömförande och kan ge användaren en elektrisk stöt.
13. **Lägg aldrig elverktyget åt sidan förrän det har stannat helt.** Den roterande kapskivan kan gripa tag i ytan och du kan förlora kontrollen över verktyget.
14. **Kör inte verktyget samtidigt som du bär det med dig.** Oavsiktlig kontakt med det roterande tillbehöret kan leda till att det fastnar i dina kläder och dras in mot kroppen.
15. **Rengör regelbundet verktygets ventilationsöppningar.** Motorns fläkt suger in damm i höljet och överdriven ansamling av pulveriserad metall kan orsaka elektrisk fara.

16. **Använd inte verktyget i närheten av lättantändligt material.** Annars finns risken att gnistor antänder materialet.

#### Varningar för bakåtkast och liknande

Bakåtkast inträffar som en plötslig reaktion på en fastklämd eller fasthakad roterande kapskiva. Fastklämning eller fasthakning orsakar snabbstopp av den roterande kapskivan, vilket i sin tur tvingar verktyget i motsatt riktning mot skivans rörelse vid kärvningspunkten. Om till exempel en slipskiva fastnar i eller kläms fast av arbetsstycket kan skivans kapande kant gräva sig in i materialytan vid klämpunkten, vilket leder till att skivan klättrar eller kastas tillbaka. Skivan kan antingen hoppa mot eller från användaren, beroende på skivans rörelseriktning vid klämpunkten. Slipskivorna kan även gå sönder under dessa omständigheter. Bakåtkast beror på ovarsamhet och/eller felaktiga arbetsrutiner, och kan undvikas genom att vidta nedanstående förebyggande åtgärder.

1. **Se till att hålla verktyget i ett fast grepp och placera kroppen och din arm på ett sätt som gör att du kan stå emot kraften från bakåtkast. Använd alltid ett extrahandtag, om sådant finns, för maximal kontroll vid bakåtkast eller vridrörelsen vid start.** Användaren kan kontrollera vridrörelsen eller krafterna vid bakåtkast om rätt försiktighetsåtgärder vidtas.
2. **Placera aldrig din hand nära det roterande tillbehöret.** Tillbehöret kan kastas bakåt över din hand.
3. **Placera inte din kropp i linje med den roterande kapskivan.** Bakåtkast driver verktyget i motsatt riktning till kapskivans rörelse vid kärvningspunkten.
4. **Var extra försiktig när du bearbetar hörn, vassa kanter osv. Undvik att studsas och stöta tillbehöret.** Hörn, skarpa kanter eller studsning har en tendens att klämma det roterande tillbehöret och orsaka förlorad kontroll eller bakåtkast.
5. **Montera inte en sågkedja, ett snidarblad eller en segmenterad diamantskiva med en segmenthöjd på över 10 mm. Montera inte heller ett tandat sågblad.** Sådana blad orsakar ofta bakåtkast och förlorad kontroll.
6. **”Pressa” inte kapskivan eller utsätt den för överdrivet tryck. Försök inte att göra ett alltför stort kapdjup.** Om kapskivan överbelastas ökar belastningen och risken för att skivan vrids eller fastnar i kapet samt risken för bakåtkast eller att skivan går sönder.
7. **Om kapskivan kärvar eller om ett kap avbryts stänger du av elverktyget och håller det stilla tills skivan har stannat helt. Försök aldrig att ta bort kapskivan från kapet medan skivan rör sig, då detta kan orsaka bakåtkast.** Undersök och vidta korrigeringsåtgärder för att eliminera orsaken till att kapskivan fastnar.
8. **Starta inte om kapningen med verktyget kvar i arbetsstycket. Låt kapskivan uppnå full hastighet och för den varsamt in i spåret.** Kapskivan kan fastna, vandra uppåt eller kastas bakåt om elverktyget startas om i arbetsstycket.

9. **Stötta långa eller stora arbetsstycken för att minimera risken för att kapskivan fastnar och kastas bakåt.** Stora arbetsstycken tenderar att svikta på grund av sin egen vikt. Stöd måste placeras under arbetsstycket nära såglinjen och nära arbetsstyckets kanter på båda sidorna om kapskivan.
10. **Var extra försiktig vid genomstickssågning i en befintlig vägg eller andra dolda utrymmen.** Den utskjutande kapskivan kan kapa gas- eller vattenledningar, elledningar eller föremål som kan orsaka bakåtkast.
11. **Innan du använder en segmenterad diamantskiva ska du se till att diamantskivan har en segmenthöjd på högst 10 mm, endast med negativ spänvinkel.**

#### Ytterligare säkerhetsvarningar:

1. **Såga aldrig med verktyget upp och ner i ett skruvståd.** Detta är ytterst farligt och kan leda till allvarliga olyckor.
2. **Kontrollera att arbetsstycket är ordentligt fastsatt.**
3. **Vissa material kan innehålla giftiga kemikalier. Se till att du inte andas in dammet eller får något på huden. Följ anvisningarna i leverantörens materialsäkerhetsblad.**
4. **Förvara skivorna enligt tillverkarens rekommendationer.** Felaktig förvaring kan skada skivorna.

## SPARA DESSA ANVISNINGAR.

**⚠️ VARNING: GLÖM INTE** att också fortsättningsvis strikt följa säkerhetsanvisningarna för maskinen även efter att du blivit van att använda den. Vid **FELAKTIG HANTERING** av maskinen eller om inte säkerhetsanvisningarna i denna bruksanvisning följs kan följden bli allvariga personskador.

## Viktiga säkerhetsanvisningar för batterikassetten

1. **Innan batterikassetten används ska alla instruktioner och varningsmärken på (1) batteriladdaren, (2) batteriet och (3) produkten läsas.**
2. **Montera inte isär eller mixtra med batterikassetten.** Det kan leda till brand, överdriven värme eller explosion.
3. **Om drifttiden blivit avsevärt kortare ska användningen avbrytas omedelbart.** Det kan uppstå överhettning, brännskador och t o m en explosion.
4. **Om du får elektrolyt i ögonen ska de sköljas med rent vatten och läkare uppsöks omedelbart.** Det finns risk för att synen förloras.
5. **Kortslut inte batterikassetten.**
  - (1) Rör inte vid polerna med något strömförande material.
  - (2) Undvik att förvara batterikassetten tillsammans med andra metallobjekt som t.ex. spikar, mynt o.s.v.
  - (3) Skydda batteriet mot vatten och regn.

En batterikortslutning kan orsaka ett stort strömflöde, överhettning, brand och maskinhaveri.

6. Förvara och använd inte verktyget och batterikassetten på platser där temperaturen kan nå eller överstiga 50 °C.
7. Bränn inte upp batterikassetten även om den är svårt skadad eller helt utsliten. Batterikassetten kan explodera i öppen eld.
8. Spika inte i, krossa, kasta, tappa eller slå batterikassetten mot hårda föremål. Dylåka händelser kan leda till brand, överdriven värme eller explosion.
9. Använd inte ett skadat batteri.
10. De medföljande litiumjonbatterierna är föremål för kraven i gällande lagstiftning för farligt gods. För kommersiella transporter (av t.ex. tredje parter som speditiönsfirmor) måste de särskilda transportkrav som anges på emballaget och etiketter iakttas. För att förbereda den produkt som ska avsändas krävs att du konsulterar en expert på riskmaterial. Var också uppmärksam på att det i ditt land kan finnas ytterligare föreskrifter att följa. Tejpa över eller maskera blottade kontakter och packa batteriet på sådant sätt att det inte kan röra sig fritt i förpackningen.
11. När batterikassetten ska kasseras måste den tas bort från maskinen och kasseras på ett säkert sätt. Följ lokala föreskrifter beträffande avfallshandtering av batteriet.
12. Använd endast batterierna med de produkter som specificerats av Makita. Att använda batterierna med ej godkända produkter kan leda till brand, överdriven värme, explosion eller utläckande elektrolyt.
13. Om maskinen inte används under en lång tid måste batteriet tas bort från maskinen.
14. Under och efter användning kan batterikassetten bli het vilket kan orsaka brännskador eller lättare brännskador. Var uppmärksam på hur du hanterar varma batterikassetter.
15. Vidrör inte verktygets kontakter direkt efter användning eftersom de kan bli heta och orsaka brännskador.
16. Låt inte flisor, damm eller smuts fastna i kontakterna, i håll eller spår i batterikassetten. Det kan leda till att verktyget eller batterikassetten värms upp, fattar eld, går sönder eller inte fungerar som de ska, vilket kan orsaka brännskador eller personskador.
17. Såvida inte verktyget stöder arbeten i närheten av högspänningsledningar får batterikassetten inte användas i närheten av en högspänningsledning. Det kan leda till att verktyget eller batterikassetten går sönder eller inte fungerar korrekt.
18. Förvara batteriet utom räckhåll för barn.

## SPARA DESSA ANVISNINGAR.

**⚠ FÖRSIKTIGT:** Använda endast äkta Makita-batterier. Användning av oäkta Makita-batterier eller batterier som har manipulerats kan leda till person- och utrustningsskador eller till att batteriet fattar eld. Det upphäver också Makitas garanti för verktyget och laddaren.

## Tips för att uppnå batteriets maximala livslängd

1. Ladda batterikassetten innan den är helt urladdad. Stanna alltid maskinen och ladda batterikassetten när du märker att maskinen blir svagare.
2. Ladda aldrig en fulladdad batterikasset. Överladdning förkortar batteriets livslängd.
3. Ladda batterikassetten vid en rumstemperatur på 10 °C - 40 °C. Låt en varm batterikasset svalna innan den laddas.
4. När batterikassetten inte används ska den tas bort från verktyget eller laddaren.
5. Ladda batterikassetten om du inte har använt den på länge (mer än sex månader).

## FUNKTIONSBESKRIVNING

**⚠ FÖRSIKTIGT:** Se alltid till att maskinen är avstängd och batterikassetten borttagen innan du justerar maskinen eller kontrollerar dess funktioner.

## Montera eller demontera batterikassetten

**⚠ FÖRSIKTIGT:** Stäng alltid av maskinen innan du monterar eller tar bort batterikassetten.

**⚠ FÖRSIKTIGT:** Håll stadigt i maskinen och batterikassetten när du monterar eller tar bort batterikassetten. I annat fall kan det leda till att de glider ur dina händer och orsakar skada på maskinen och batterikassetten samt personskada.

► Fig. 1: 1. Röd indikator 2. Knap 3. Batterikasset

Ta bort batterikassetten genom att skjuta ner knappen på kassetens framsida samtidigt som du drar ut batterikassetten.

Sätt in batterikassetten genom att rikta in tungan på batterikassetten mot spåret i höljet och skjut den på plats. Tryck in batterikassetten ordentligt tills den låser fast med ett klick. Om du kan se den röda indikatorn som bilden visar är den inte låst ordentligt.

**⚠ FÖRSIKTIGT:** Sätt alltid i batterikassetten helt tills den röda indikatorn inte längre syns. I annat fall kan den oväntat falla ur verktyget och skada dig eller någon annan.

**⚠ FÖRSIKTIGT:** Montera inte batterikassetten med våld. Om kassetten inte lätt glider på plats är den felinsatt.

## Indikerar kvarvarande batterikapacitet

### Endast för batterikassetter med indikator

► Fig.2: 1. Indikatorlampor 2. Kontrollknapp

Tryck på kontrollknappen på batterikassetten för att se kvarvarande batterikapacitet. Indikatorlamporna lyser i ett par sekunder.

Indikatorlampor			Kvarvarande kapacitet
■ Upplyst	□ Av	◐ Bliks	
■ ■ ■ ■			75% till 100%
■ ■ ■ □			50% till 75%
■ ■ □ □			25% till 50%
■ □ □ □			0% till 25%
◐ □ □ □			Ladda batteriet.
■ ■ □ □ ↑ ↓ □ □ ■ ■			Batteriet kan ha skadats.

**OBS:** Beroende på användningsförhållanden och den omgivande temperaturen kan indikationen skilja sig lätt från den faktiska batterikapaciteten.

**OBS:** Den första (längst till vänster) indikatorlampan kommer att blinka när batteriskyddssystemet fungerar.

## Skyddssystem för maskinen/batteriet

Maskinen är utrustad med ett skyddssystem för maskinen-/batteriet. Detta system bryter automatiskt strömmen till motorn för att förlänga maskinens och batteriets livslängd. Maskinen stoppar automatiskt under användningen om maskinen eller batteriet hamnar i en av följande situationer. Indikatorerna tänds i vissa situationer.

## Överbelastningsskydd

När verktyget/batteriet används på ett sätt som gör att det drar onormalt mycket ström, stannar maskinen automatiskt och driftlampan blinkar. Om detta sker stänger du av verktyget och upphör med det arbete som gjorde att det överbelastades. Starta därefter upp verktyget igen.

## Överhettningsskydd

När verktyget/batteriet överhettas stoppas verktyget automatiskt och driftlampan börjar blinka. I det läget låter du verktyget svalna innan du startar det igen.

## Överurladdningsskydd

När batterikapacitet är låg stannar verktyget automatiskt. Om verktyget inte fungerar konsekvent med hur knappen används, tar du bort batteriet från verktyget och laddar den.

## Skydd mot andra orsaker

Skyddssystemet är också utvecklat för att hantera andra orsaker som skulle kunna skada verktyget och tillåter verktyget att stanna automatiskt. Ta följande steg för att åtgärda felet när verktyget stannat temporärt eller helt.

1. Stäng av verktyget och starta sedan upp den igen för att starta om.
2. Laddning av batteriet/batterierna och ersätt det/ dem med laddade batteri(er).
3. Låt verktyget och batteri(erna) svalna.

Om ingen förbättring kan hittas genom att återställa skyddssystemet, kontakta ditt lokala Makita Service Center.

## Avtryckarens funktion

**⚠ VARNING:** Använd ALDRIG verktyget om det startar när du trycker in avtryckaren utan att ha tryckt in säkerhetsknappen. I annat fall kan det orsaka oavsiktlig aktivering och allvarlig personskada. Returnera verktyget till ett Makita-servicecenter för reparation INNAN du fortsätter att använda det.

**⚠ VARNING:** Sätt ALDRIG säkerhetsknappens funktion ur spel genom att t.ex. tejpa fast den. I annat fall kan följden bli oavsiktlig aktivering och allvarlig personskada.

**⚠ FÖRSIKTIGT:** Innan du sätter i batterikassetten i maskinen ska du kontrollera att avtryckaren fungerar och återgår till läget "OFF" när du släpper den.

**⚠ FÖRSIKTIGT:** Tryck inte in avtryckaren hårt utan att ha tryckt in säkerhetsknappen. Det kan göra att avtryckaren skadas.

**⚠ FÖRSIKTIGT:** Verktyget börjar bromsa skivans rotation omedelbart när du släpper avtryckaren. Håll verktyget i ett fast grepp för att svara på reaktionen av bromsen när du släpper avtryckaren. En plötsliga reaktion kan få dig att tappa verktyget och kan leda till personskada.

Säkerhetsknappen förhindrar oavsiktlig aktivering av avtryckaren. Starta verktyget genom att först hålla säkerhetsknappen intryckt och sedan trycka in avtryckaren. Släpp avtryckaren för att stoppa verktyget.

► Fig.3: 1. Avtryckare 2. Säkerhetsknapp

## Val av skiva

**⚠ FÖRSIKTIGT:** Tillbehörets nominella varvtal måste vara minst lika med det maximala varvtalet som anges på verktyget. Tillbehör som används över det nominella varvtalet kan gå sönder och orsaka skador.

**⚠ FÖRSIKTIGT:** Skivorna får endast användas för rekommenderade arbetsuppgifter.

Välj den mest lämpliga typen av kapskiva för din arbetsuppgift.

Skivtyp	Praktiska användningsområden
Kapskiva	Kapar stål, rostfritt stål, metaller
Slipskiva av tungstenskarbid	Kapar plast, gips och kompositmaterial
Diamantskiva	Kapar kakel, keramik

## Skivans rotationsriktning

**⚠ FÖRSIKTIGT:** Kontrollera alltid rotationsriktningen före användning.

**⚠ FÖRSIKTIGT:** Använd endast reverseringsknappen när verktyget har stannat helt. Ett plötsligt byte av rotationsriktningen under drift gör att verktyget omedelbart stannar av säkerhetsskäl.

Skivans rotation kan ändras i riktning framåt eller bakåt. För att ställa in framåtrotation skjut du reverseringsknappen åt vänster tills "F"-indikeringen visas på knappen. Välj bakåtrotation genom att skjuta reverseringsknappen åt höger tills "R"-indikeringen visas på knappen.

► **Fig.4:** 1. Reverseringsknapp

Spån, skräp, gnistor och skärpartiklar tenderar att flyga längs den tangentiella riktningen för skivans rotation. Undvik fortsatt exponering till skärpartiklar genom att använda sprängskyddet på ett effektivt sätt så att skärdamm och partiklar kastas ut i en alternativ riktning.

En reaktion på ett snabbt stopp av den roterande skivan kan göra att verktyget trycks okontrollerat i motsatt riktning mot skivans rotation.

### Framåtrotation

► **Fig.5:** 1. Skärpartiklar 2. Reaktion

### Bakåtrotation

► **Fig.6:** 1. Skärpartiklar 2. Reaktion

## Sprängskydd

**⚠ FÖRSIKTIGT:** Se till att sprängskyddet sitter korrekt och stadigt på plats bakom kapskivan före användning.

Säkra sprängskyddet i ett bekvämt läge, för maximal säkerhet och minimal exponering till möjliga riskfaktorer, enligt dina arbetsförhållanden och så att det passar dig.

### Placering framåt

► **Fig.7:** 1. Sprängskydd 2. Kapskiva

### Placering bakåt

► **Fig.8:** 1. Sprängskydd 2. Kapskiva

## Spindellås

Tryck ned spindellåset för att förhindra att spindeln roterar när du monterar eller tar bort en kapskiva.

► **Fig.9:** 1. Spindellås

**OBSERVERA:** Aktivera aldrig spindellåset medan spindeln rör sig. I annat fall kan maskinen skadas.

## Driftlampa

**⚠ FÖRSIKTIGT:** Titta inte in i ljuset eller direkt i ljuskällan.

Tryck in och håll inne säkerhetsknappen och tryck in avtryckaren för att tända driftlampan. Lampan slocknar ungefär 15 sekunder efter att du har släppt avtryckaren.

► **Fig.10:** 1. Driftlampa

**OBSERVERA:** Om verktyget används med överdriven belastning kommer driftlampan att blinka. Släpp in så fall avtryckaren och minska belastningen på verktyget före fortsatt användning.

**OBSERVERA:** Driftlampan blinkar när verktyget är överhettat. Släpp in så fall avtryckaren och låt sedan verktyget/batteriet svalna före fortsatt användning.

**OBS:** Använd en torr trasa för att torka bort smuts från lampglasat. Var försiktig så att inte lampglasat repas eftersom ljuset då kan bli svagare.

## Justera skärdjupet

**⚠ FÖRSIKTIGT:** Dra alltid åt tumskraven ordentligt efter att skärdjupet justerats.

Om dammuppsamlingskyddet är monterat kan finjusteringar av skärdjupet göras på upp till 13,5 mm.

Lossa tumskraven på djupskalan. Hög eller sänk verktygets handtag till det läge där djupindikatorerna på skyddet är i linje med önskat skärdjup på skalan. Dra sedan åt tumskraven.

► **Fig.11:** 1. Tumskruv 2. Djupskala 3. Djupindikator

**⚠ FÖRSIKTIGT:** För ren och säker kapning ska skärdjupet ställas in så att kapskivan sticker ut från arbetsstyckets undersida med 2,0 mm eller mindre. Rätt inställning av kapdjupet bidrar till att minska risken för farliga bakåtkast, som kan orsaka allvarliga personskador.

## Inriktning för rak kapning

När dammuppsamlingskyddet är monterat kan rak kapning utföras på säkert sätt genom att kapskivan riktas in mot kapriktningen innan själva kapningen påbörjas.

Passa in styrspåret i bottenplattan på dammuppsamlingskyddet med den önskade kaplinjen på arbetsstycket.

► **Fig.12:** 1. Styrspår 2. Bas 3. Kaplinje

## Ansluta en dammsugare

### Extra tillbehör

Anslut en dammsugare från Makita till dammunstycket på dammuppsamlingskyddet med en främre koppling 22 (tillbehör) när du vill ha rent under kapningen.

► **Fig.13:** 1. Främre kopplingar 22 2. Dammunstycke 3. Slang 4. Dammsugare

## Funktion för att förhindra oavsiktlig omstart

Verktyget startar inte om batterikassetten installeras samtidigt som avtryckaren trycks in.

Starta verktyget genom att först släppa avtryckaren. Håll säkerhetsknappen intryckt och tryck sedan in avtryckaren.

## Elektronisk funktion

Maskinen är utrustad med elektroniska funktioner för enkel användning.

- Elektronisk broms  
Detta verktyg är försett med en elektronisk broms. Om verktyget inte stannar snabbt efter att avtryckaren släppts, behöver verktyget servas på ett Makita servicecenter.
- Konstant hastighetskontroll  
Hastighetskontrollfunktionen ger en konstant rotationshastighet oavsett belastningsförhållanden.
- Aktiv teknik för avkänning av återkoppling  
Maskinen identifierar situationer på elektronisk väg där hjul eller tillbehör riskerar att fastna. I en sådan situation stängs maskinen automatiskt av för att förhindra att spindeln roterar ytterligare (emellertid förhindras inte bakåtkast).  
För att starta om maskinen stänger du först av den, avlägsnar orsaken till den plötsliga minskningen av rotationshastigheten, och slår sedan på maskinen igen.

## MONTERING

**⚠ FÖRSIKTIGT:** Se alltid till att maskinen är avstängd och batterikassetten borttagen innan du underhåller maskinen.

### Förvara av insexnyckel

Förvara insexnyckeln enligt figuren när den inte används, så att du alltid har den till hands.

► **Fig.14:** 1. Insexnyckel

### Ta bort och montera kapskivor

**⚠ FÖRSIKTIGT:** Använd endast den tillhörande insexnyckeln från Makita för att ta bort och installera en kapskiva.

**⚠ FÖRSIKTIGT:** Se till att dra åt bulten ordentligt när du monterar en kapskiva.

**OBSERVERA:** För bästa prestanda ska du vid montering av en diamantskiva alltid se till att pilen på diamantskivan pekar i samma riktning som önskad skivrotation.

Ta bort kapskivan genom att trycka med full kraft på spindelläset så att kapskivan inte kan rotera, och lossa sedan sedan insexbulten moturs med insexnyckeln. Ta sedan bort insexbulten, den yttre flänsen och kapskivan.

► **Fig.15:** 1. Spindelläs 2. Insexnyckel 3. Sexkantsbult  
4. Lossa 5. Dra åt

**OBSERVERA:** Om den inre flänsen har tagits bort monterar du den på spindeln med dess skivmonteringsdel vänd uppåt.

Montera kapskivan genom att följa borttagningsproceduren i omvänd ordning.

► **Fig.16:** 1. Sexkantsbult 2. Yttre fläns 3. Kapskiva  
4. Inre fläns 5. Spindel

## Montera och ta bort dammuppsamlingskyddet

**⚠ FÖRSIKTIGT:** Se till att sprängskyddet är ordentligt spärrat med stoppet inuti dammuppsamlingskyddet före användning.

**⚠ FÖRSIKTIGT:** Undvik att använda dammuppsamlingskyddet för metallarbeten som skapar värme och flygande gnistor eftersom det kan smälta plastkomponenterna i dammuppsamlingskyddet.

Dammuppsamlingskyddet förbättrar säker och effektiv kapning, skyddar mot den roterande skivan, ger en stabilare kapning och noggrann kontroll över skärdjupet samt tillhandahåller lösningar för dammut sugning, särskilt vid kapning av kakel, gips och stengods.

### Montera dammuppsamlingskyddet

1. Lossa tumskruv på djupskalan på dammuppsamlingskyddet. Lyft upp skyddet helt och dra åt tumskruv för att säkra dammuppsamlingskyddet i upphöjt läge.

► **Fig.17:** 1. Tumskruv 2. Djupskala  
3. Dammuppsamlingskydd

2. Sätt sprängskyddet på plats på verktyget i det främre läget.

► **Fig.18:** 1. Sprängskydd

3. Höj verktygshandtaget något och vinkla in den främre halvan av sprängskyddet i dammuppsamlingskyddet, med den nedre delen av kapskivan placerad genom skivurtaget i bottenplattan.

► **Fig.19:** 1. Sprängskydd 2. Dammuppsamlingskydd  
3. Kapskiva 4. Skivurtag

4. Montera den bakre halvan av sprängskyddet i dammuppsamlingskyddet och sänk samtidigt ner verktygshandtaget från det upphöjda läget till ett nedre läge.

► **Fig.20:** 1. Sprängskydd 2. Dammuppsamlingskydd

5. Höj återigen upp handtaget så att den bakre kanten av sprängskyddet hakar fast i stoppet på insidan av dammuppsamlingskyddet.

► **Fig.21:** 1. Sprängskydd 2. Stopp

6. Lossa tumskruv. Sväng verktyget upp och ner till önskat skärdjup. Dra sedan åt tumskruv för att säkra verktyget i rätt läge.

### Ta bort dammuppsamlingskyddet

1. Lossa tumskruv på djupskalan på dammuppsamlingskyddet. Lyft upp verktygshandtaget helt och dra sedan åt tumskruv för att säkra dammuppsamlingskyddet i upphöjt läge.

► **Fig.22:** 1. Tumskruv 2. Djupskala  
3. Dammuppsamlingskydd

2. Skut frigöringspaken mot tumskruv så att sprängskyddet frigörs från stoppet på insidan av dammuppsamlingskyddet.

► **Fig.23:** 1. Frigöringspak 2. Tumskruv  
3. Sprängskydd 4. Dammuppsamlingskydd  
5. Stopp

3. Ta bort den bakre halvan av sprängskyddet från dammuppsamlingskyddet och sänk samtidigt ner verktygshandtaget från det upphöjda läget till ett nedre läge.

► **Fig.24:** 1. Sprängskydd 2. Dammuppsamlingskydd

4. Dra i den främre halvan av sprängskyddet samtidigt som du vinklar det något uppåt och utåt, och dra isär det från dammuppsamlingskyddet.

► **Fig.25:** 1. Sprängskydd 2. Dammuppsamlingskydd

## ANVÄNDNING

**⚠ FÖRSIKTIGT:** Håll alltid ett verktyget i ett stadigt grepp under användning.

**⚠ FÖRSIKTIGT:** Tryck inte hårt med verktyget. Våld eller överdrivet tryck, eller en kapskiva som böjs, nyper fast eller vrids i kapet kan orsaka överhettning av motorn och farliga bakåtkast.

**⚠ FÖRSIKTIGT:** När du kapar plast, se till att inte överhettas kapskivan. Det kan resultera i att arbetsstycket smälter.

**⚠ FÖRSIKTIGT:** Slå eller stöt inte på kapskivan när du startar eller vid användning.

**⚠ FÖRSIKTIGT:** Använd alltid skyddsglasögon eller visir under arbetet.

**⚠ FÖRSIKTIGT:** Efter användning måste du stänga av verktyget och vänta tills skivan stannar helt innan du lägger ned verktyget.

## Nedåtkapning

**OBSERVERA:** Var noga med att använda en effektiv skäryta på skivan för att undvika exponering till avskurna partiklar.

**OBSERVERA:** Håll kapskivan rakt i arbetsstycket och undvik att luta eller svänga verktyget under användning.

Placera sprängskyddet korrekt för att ge maximalt skydd mot gnistor och lösa partiklar som kastas ut från kapskivan. Placera verktyget över arbetsstycket utan att kapskivan kommer i kontakt med arbetsstycket. Starta verktyget och vänta tills kapskivan når full hastighet. Sänk sedan sakta ner verktyget över arbetsstyckets yta, med en måttlig matning som passar din arbetsuppgift.

### Framåtrotation

► **Fig.26**

### Bakåtrotation

► **Fig.27**

## Rak kapning

**⚠ FÖRSIKTIGT:** Se till att kapskivan alltid arbetar i en uppåtriktad sliprörelse. Annars kan verktyget okontrollerat tryckas ut ur kapet.

**OBSERVERA:** Håll en rak kaplinje och applicera ett jämnt tryck för att få en jämn kapning av arbetsstycket.

Placera dammuppsamlingskyddets bottenplatta på arbetsstycket som ska kapas utan att kapskivan kommer i kontakt med arbetsstycket. Starta verktyget och vänta tills kapskivan når full hastighet. För verktyget sakta framåt över arbetsstyckets yta. Håll verktyget plant och för det smidigt framåt tills kapningen är klar. Välj bakåtrotation för tryckkapning och framåtrotation för dragkapning.

### Tryckkapning i bakåtrotation

► **Fig.28**

### Dragkapning i framåtrotation

► **Fig.29**

**OBS:** Observera att dammuppsamlingskyddet tenderar att fungera mindre effektivt vid dragkapning eftersom vissa skärpartiklar sprids inuti skyddet i motsatt riktning mot dammsugningsflödet.

## UNDERHÅLL

**⚠ FÖRSIKTIGT:** Se alltid till att maskinen är avstängd och batterikassetten borttagen innan inspektion eller underhåll utförs.

**OBSERVERA:** Använd inte bensen, förtunningsmedel, alkohol eller liknande. Missfärgning, deformation eller sprickor kan uppstå.

För att upprätthålla produktens SÄKERHET och TILLFÖRLITLIGHET bör allt underhålls- och justeringsarbete utföras av ett auktoriserat Makita servicecenter och med reservdelar från Makita.

## Slipning av diamantskiva

Om diamantskivan börjar bli slö kan du använda en gammal förbrukad bänkslippskiva med stor korngrovlek eller ett betongblock för att slipa diamantskivan. För att göra detta fäster du slipskivan eller betongblocket och säger i det.

## Efter användning

Avlägsna damm från verktygets insida genom att köra verktyget utan belastning en stund. Ansamling av damm i motorn kan leda till att maskinen inte fungerar som den ska.



## Rengöring av sprängskydd och dammuppsamlingskydd

Rengör regelbundet insidan av sprängskyddet och dammuppsamlingskyddet. Blås eller torka bort smuts eller damm som samlats i dem.

► **Fig.30:** 1. Sprängskydd 2. Dammuppsamlingskydd

## Rengöring av ventilationsöppningar

Rengör regelbundet ventilationsöppningarna på verktyget för smidig luftcirkulation. Ta bort dammskyddet från inloppsventilen och rengör det om det är smutsigt eller igensatt.

► **Fig.31:** 1. Dammkåpa 2. Inloppsventil

## VALFRIA TILLBEHÖR

**⚠ FÖRSIKTIGT:** Följande tillbehör eller tillsatser rekommenderas för användning med den Makita-maskin som denna bruksanvisning avser. Om andra tillbehör eller tillsatser används kan det uppstå risk för personskador. Använd endast tillbehören eller tillsatserna för de syften de är avsedda för.

Kontakta ditt lokala Makita servicecenter om du behöver ytterligare information om dessa tillbehör.

- Kapskiva
- Diamantskiva
- Slipskiva av tungstenskarbid
- Insexnyckel
- Makitas originalbatteri och -laddare

**OBS:** Några av tillbehören i listan kan vara inkluderade i maskinpaketet som standardtillbehör. De kan variera mellan olika länder.

## TEKNISKE DATA

<b>Modell:</b>		<b>DMC300</b>
Ytre diameter for skive		76 mm
Indre diameter (drivaksel) for skive		10,0 mm / 9,5 mm (3/8") (landsspesifikk)
Maks. skivetykkelse		1,0 mm
Maks. skjærekapasitet	Med støvoppsamlingsdeksel	13,5 mm
	Uten støvoppsamlingsdeksel	16,0 mm
Angitt hastighet (n)/hastighet uten belastning (n <sub>0</sub> )		20 000 min <sup>-1</sup>
Total lengde		271 mm *1
Merkespenning		DC 18 V
Nettovekt		1,2 - 1,7 kg

\*1. Med batteri (BL1860B) / uten støvoppsamlingsdeksel

- På grunn av vårt kontinuerlige forsknings- og utviklingsprogram kan spesifikasjonene som oppgis i dette dokumentet endres uten varsel.
- Spesifikasjoner og batteriinnsett kan variere fra land til land.
- Vekten kan variere avhengig av tilbehør/tilbehørene, inkludert batteriet. Den letteste og tyngste kombinasjonen, i henhold til EPTA-prosedyre 01/2014, vises i tabellen.

## Passende batteri og lader

Batteriinnsett	BL1815N / BL1820B / BL1830B / BL1840B / BL1850B / BL1860B
Lader	DC18RC / DC18RD / DC18RE / DC18SD / DC18SE / DC18SF / DC18SH / DC18WC

- Noen av batteriene og laderne som er opplistet ovenfor er kanskje ikke tilgjengelige, avhengig av hvor du bor.

**⚠ ADVARSEL:** Bruk kun de batteriene og laderne som er opplistet ovenfor. Bruk av andre batterier og ladere kan føre til personskader og/eller brann.

## Riktig bruk

Dette verktøyet er utformet for kutting av plater, tilkoblinger, rør, fliser eller vegger i metall, plast, keramikk, gips og lignende sammensetninger uten bruk av vann.

## Støy

Typisk A-vektet lydtryknivå er bestemt i henhold til EN60745-2-22:

Lydtryknivå (L<sub>PA</sub>) : 88 dB (A)

Lyd effektivnivå (L<sub>WA</sub>) : 99 dB (A)

Usikkerhet (K): 3 dB (A)

**MERK:** Den/de oppgitte verdien(e) for genererte vibrasjoner har blitt målt i henhold til standard testmetoder, og kan bli brukt til å sammenligne ett verktøy med et annet.

**MERK:** Den/de angitte verdien(e) for de genererte vibrasjonene kan også brukes til en foreløpig vurdering av eksponeringen.

**⚠ ADVARSEL:** Bruk hørselsvern.

**⚠ ADVARSEL:** De genererte vibrasjonene ved faktisk bruk av elektroverktøyet kan avvike fra den/de angitte vibrasjonsverdien(e), avhengig av hvordan verktøyet brukes.

**⚠ ADVARSEL:** Sørg for å identifisere vernetiltak for å beskytte operatøren, som er basert på et estimat av eksponeringen under de faktiske bruksforholdene (idet det tas hensyn til alle deler av driftssyklusen, dvs. hvor lenge verktøyet er slått av, hvor lenge det går på tomgang og hvor lenge startbryteren faktisk holdes trykket).

## Vibrasjoner

Den totale vibrasjonsverdien (triaksial vektorsum) bestemt i henhold EN60745-2-22:  
Arbeidsmodus: kapping av betong (tykkelse på 5 mm)  
Genererte vibrasjoner (a<sub>n</sub>) : 3,0 m/s<sup>2</sup>  
Usikkerhet (K): 1,5 m/s<sup>2</sup>

**MERK:** Den/de oppgitte verdien(e) for totalt genererte vibrasjoner har blitt målt i henhold til standard testmetoder, og kan bli brukt til å sammenligne ett verktøy med et annet.

**MERK:** Den/de angitte verdien(e) for totalt genererte vibrasjoner kan også brukes til en foreløpig vurdering av eksponeringen.

**⚠ ADVARSEL:** De genererte vibrasjonene ved faktisk bruk av elektroverktøyet kan avvike fra den/de angitte vibrasjonsverdien(e), avhengig av hvordan verktøyet brukes og spesielt i forhold til arbeidsstykket som blir behandlet.

**⚠ ADVARSEL:** Sørg for å identifisere vernetiltak for å beskytte operatøren, som er basert på et estimat av eksponeringen under de faktiske bruksforholdene (idet det tas hensyn til alle deler av driftssyklusen, dvs. hvor lenge verktøyet er slått av, hvor lenge det går på tomgang og hvor lenge startbryteren faktisk holdes trykket).

## EFs samsvarserklæring

### Gjelder kun for land i Europa

EFs samsvarserklæring er lagt til som vedlegg A i denne bruksanvisningen.

## SIKKERHETSADVARSEL

### Generelle advarsler angående sikkerhet for elektroverktøy

**⚠ ADVARSEL:** Les alle sikkerhetsadvarsler, instruksjoner, illustrasjoner og spesifikasjoner som følger med dette elektroverktøyet. Hvis ikke alle instruksjonene nedenfor følges, kan det forekomme elektrisk støt, brann og/eller alvorlig skade.

### Oppbevar alle advarsler og instruksjoner for senere bruk.

Uttrykket «elektrisk verktøy» i advarslene refererer både til elektriske verktøy (med ledning) tilkoblet strømnettet, og batteridrevne verktøy (uten ledning).

### Sikkerhetsadvarsler for kompakt kappsag

- 1. Den medfølgende verktøybeskyttelsen må festes skikkelig på det elektriske verktøyet og plasseres for maksimal sikkerhet, slik at en så liten del som mulig av skiven er eksponert mot operatøren. Still deg selv og andre vekk fra den roterende skivens plan.** Vernet bidrar til å beskytte brukeren mot avbrevte skivefragmenter og utilsikket kontakt med skiven.
  - 2. Bruk bare sammenføyde, forsterkede kappeskiver eller diamannskiver med dette elektriske verktøyet.** Selv om et tilbehør kan monteres på verktøyet, betyr ikke dette at det er trygt å bruke.
  - 3. Angitt hastighet for tilbehøret må være minst like høy som største angitte hastighet på elektroverktøyet.** Tilbehør som kjøres med større hastighet enn det som er angitt, kan gå i stykker og slynges ut.
  - 4. Skiver må bare brukes slik det er anbefalt. For eksempel: ikke slip med siden av en kappeskive.** Kappeskiver for sliping er bare beregnet for periferisk sliping. Sidekrefter mot disse skivene kan knuse dem.
- 5. Bruk alltid uskadede skiveflenser med riktig diameter for skiven som er valgt.** Riktige skiveflenser støtter skiven og reduserer muligheten for skivebrudd.
  - 6. Ikke bruk utslitte skiver fra større elektriske verktøy.** Skiver som er beregnet for den høyere hastigheten til mindre verktøy, er ikke egnet for den høyere hastigheten til mindre verktøy, og kan sprekke.
  - 7. Den ytre diameteren og tykkelsen på tilbehøret må ligge innenfor den angitte kapasiteten for elektroverktøyet.** Tilbehør i feil størrelse kan ikke sikres eller kontrolleres fullgodt.
  - 8. Akselstørrelsen på skiver og flenser må være riktig tilpasset spindelen på verktøyet.** Skiver og flenser med akselhull som ikke korresponderer med monteringsmekanismen på verktøyet, vil komme ut av balanse, vibrere kraftig og kanskje føre til tap av kontroll.
  - 9. Ikke bruk skiver som er skadd. Undersøk skivene med hensyn til skår og sprekker før hver bruk.** Hvis elektroverktøyet eller skiven faller i bakken, må du undersøke om det oppstod skade eller monterer en uskadd skive. Etter at skiven er undersøkt og montert, må du plassere deg selv og andre utenfor skivens rotasjonsplan og kjøre verktøyet på maksimal hastighet uten belastning i ett minutt. Skiver som er skadd, vil vanligvis gå i stykker i løpet av denne testen.
  - 10. Bruk personlig verneutstyr. Bruk alltid hørselsvern.** Avhengig av bruksområdet, må du bruke visir eller vernebriller. Der det er aktuelt, må du bruke støvmaske, hansker og forkle som kan stoppe små slipefragmenter eller deler fra arbeidsstykket. Vernebrillene må kunne stoppe flygende biter som oppstår under ulike operasjoner. Støvmasken eller åndedrettsvernet må kunne filtrere ut partikler som oppstår under arbeidet. Kraftig lyd over lengre tid kan forårsake redusert hørsel.
  - 11. Hold andre på trygg avstand fra arbeidsområdet. Alle som beveger seg inn i arbeidsområdet må bruke personlig verneutstyr.** Fragmenter fra arbeidsemnet eller en skadet skive kan fly av sted og forårsake personskade utenfor det umiddelbare bruksstedet.
  - 12. Hold maskinen kun i det isolerte håndtaket når kutte-tilbehøret kan komme i kontakt med skjulte ledninger under arbeidet.** Hvis kutteutstyret kommer i kontakt med «strømførende» ledninger, kan ikke isolerte metalldele i maskinen bli «strømførende» og kunne gi brukeren elektrisk støt.
  - 13. Ikke legg ned elektroverktøyet før tilbehøret har stoppet helt.** Den roterende skiven kan ta tak i underlaget og trekke verktøyet utenfor din kontroll.
  - 14. Ikke kjør elektroverktøyet når du bærer det langs siden.** Utilsikket kontakt med roterende tilbehør kan føre til at det fester i klærne og trekkes inn mot kroppen.
  - 15. Rengjør verktøyets luftventiler regelmessig.** Motorens vifte trekker støv inn i verktøyhuset og mye oppsamlet metallstøv kan medføre elektrisk fare.

16. **Ikke bruk elektroverktøyet nær brennbare materialer.** Gnister kan antenne slike materialer.

#### Tilbakeslag og relaterte advarsler

Tilbakeslag er en plutselig reaksjon på en roterende skive som er klemt eller hekket fast. Fastklemming eller hekking gjør at den roterende skiven plutselig stopper, noe som i sin tur gjør at det ukontrollerbare elektroverktøyet kastes i motsatt retning av skivens rotasjonsretning ved fastklemmingspunktet.

Hvis for eksempel en slipeskive klemmes eller hekkes fast i arbeidsemnet, kan kanten på skiven som er fastklemt, grave seg inn i overflaten på materialet og føre til at skiven graver seg ut eller slås ut. Skiven kan enten sprette mot eller vekk fra operatøren, avhengig av rotasjonsretningen på skiven når den klemmes fast. Slipeskiver kan også knekke under slike forhold. Tilbakeslag er et resultat av at elektroverktøyet misbrukes og/eller brukes på feil måte eller under feil forhold, og kan unngås ved å ta de nødvendige forholdsreglene som beskrives under.

1. **Hold godt fast i verktøyet og plasser kroppen og armen din slik at du kan motstå kreftene i et tilbakeslag. Bruk alltid hjelpehåndtak når det følger med, for å få best mulig kontroll over tilbakeslag eller dreiemomentreaksjonen ved oppstart.** Operatøren kan kontrollere dreiemomentreaksjonen eller tilbakeslagskreftene hvis de riktige forholdsreglene tas.
2. **Legg aldri hånden nær det roterende tilbehøret.** Tilbehøret kan slå tilbake over hånden.
3. **Ikke plasser kroppen på linje med den roterende skiven.** Tilbakeslag gjør at verktøyet slås i motsatt retning av skivens bevegelse når den blir sittende fast.
4. **Vær spesielt forsiktig under arbeid med hjørner, skarpe kanter osv. Unngå å la tilbehøret sprette eller hugge.** Hjørner, skarpe kanter eller støt har en tendens til å klemme fast det roterende tilbehøret og forårsake tap av kontrollen eller tilbakeslag.
5. **Ikke monter et sagkjedeblad, treskjæringsblad, segmentert diamantskive med periferisk avstand over 10 mm eller tannet sagblad.** Slike blader gir ofte tilbakeslag og mangel på kontroll.
6. **Ikke «klem fast» skiven eller legg sterkt press på den. Ikke forsøk å kutte svært dypt.** For mye press på skiven øker belastningen og sjansen for at skiven vrir eller setter seg fast under kutting, samt at det øker sjansen for tilbakeslag eller at skiven blir ødelagt.
7. **Når skiven fastklemmes eller du ønsker å avbryte kappingen, må du slå av verktøyet og holde det i ro til skiven har stoppet helt. Forsøk aldri å fjerne skiven fra kuttet mens den er i bevegelse, da dette kan forårsake tilbakeslag.** Undersøk årsaken til at skiven setter seg fast, og rett opp feilen.
8. **Ikke start kappingen på nytt mens skiven står i arbeidsemnet. La skiven nå full hastighet, og før den så ned i kuttet på nytt.** Skiven kan sette seg fast, bli trukket oppover eller gi tilbakeslag hvis det elektriske verktøyet startes på nytt i arbeidsemnet.

9. **Støtt opp plater eller store arbeidsemner for å minimere muligheten for fastklemming eller tilbakeslag.** Store arbeidsemner har en tendens til å synke under sin egen vekt. Det må plasseres støtter under arbeidsemnet nært kuttlinjen og nært kanten på arbeidsemnet på begge sider av skiven.
10. **Vær ekstra forsiktig når du lager «hull» i eksisterende vegger eller andre områder uten innsyn.** Skiven som stikker ut, kan kutte gass- eller vannrør, elektriske ledninger eller objekter som kan forårsake tilbakeslag.
11. **Før bruk av en segmentert diamantslipeskive, må du kontrollere at diamantslipeskiven har en perifer åpning på mindre enn 10 mm mellom segmentene, og kun med en negativ flisvinkel.**

#### Ekstra sikkerhetsadvarsler:

1. **Forsøk aldri å skjære mens maskinen holdes opp ned i en skrustikke.** Dette er ekstremt farlig og kan forårsake alvorlige ulykker.
2. **Forviss deg om at arbeidsstykket står støtt.**
3. **Enkelte materialer inneholder kjemikalier som kan være giftige. Vær forsiktig for å hindre hudkontakt og inåndning av støv. Følg leverandørens sikkerhetsanvisninger.**
4. **Oppbevar skivene i henhold til produsentens anbefalinger.** Hvis skivene oppbevares på feil måte, kan de bli skadet.

## TA VARE PÅ DISSE INSTRUKSENE.

**⚠ ADVARSEL:** IKKE LA hensynet til hva som er "behagelig" eller det faktum at du kjenner produktet godt (etter mange gangers bruk) gjøre deg mindre oppmerksom på sikkerhetsreglene for bruken av det aktuelle produktet. Ved MISBRUK eller hvis ikke sikkerhetsreglene i denne bruksanvisningen følges, kan det oppstå alvorlig personskade.

## Viktige sikkerhetsanvisninger for batteriinnsetning

1. **Før du begynner å bruke batteriet, må du lese alle anvisninger og forsiktighetsregler på (1) batteriladeren, (2) batteriet og (3) det produktet batteriet skal brukes i.**
2. **Ikke demonter eller tukle batteriet.** Det kan føre til brann, overoppheting eller eksplosjon.
3. **Hvis driftstiden er blitt vesentlig kortere, må du omgående slutte å bruke maskinen. Hvis ikke kan resultatet bli overoppheting, mulige forbrenninger eller til og med en eksplosjon.**
4. **Hvis du får elektrolytt i øynene, må du skylle dem med store mengder rennende vann og oppsøke lege med én gang. Denne typen uhell kan føre til varig blindhet.**
5. **Ikke kortslett batteriet:**
  - (1) **De kan være ekstremt varme og du kan brenne deg.**
  - (2) **Ikke lagre batteriet i samme beholder som andre metallgjenstander, som for eksempel spiker, mynter osv.**
  - (3) **Ikke la batteriet komme i kontakt med vann eller regn.**

En kortslutning av batteriet kan føre til et kraftig strømstøt, overoppvarming, mulige forbrenninger og til og med til at batteriet går i stykker.

- Ikke oppbevar og bruk verktøyet og batteriet på steder hvor temperaturen kan komme opp eller overskride 50 °C.
- Ikke sett fyr på batteriet, ikke engang om det er sterkt skadet eller helt utslitt. Batteriet kan eksplodere hvis det begynner å brenne.
- Du må ikke spikre, skjære, klemme, kaste eller miste batteriet, og heller ikke slå en hard gjenstand mot batteriet. En slik oppførsel kan føre til brann, overoppheting eller eksplosjon.
- Ikke bruk batterier som er skadet.
- Lithium-ion-batteriene som medfølger er gjenstand for krav om spesialavfall.  
For kommersiell transport, f.eks av tredjeparter eller speditører, må spesielle krav om pakking og merking følges.  
Før varen blir sendt, må du forhøre deg med en ekspert på farlig materiale. Ta også hensyn til muligheten for mer detaljerte nasjonale bestemmelser.  
Bruk teip eller maskeringsteip for å skjule åpne kontakter og pakk inn batteriet på en slik måte at den ikke kan bevege seg rundt i emballasjen.
- Når du kasserer batteriinnnsatsen, må du ta den ut av verktøyet og avhende den på et sikkert sted. Følg lokale bestemmelser for avhengig av batterier.
- Bruk batteriene kun med produkter spesifisert av Makita. Montere batteriene i produkter som ikke er konforme kan føre til brann, overheting eller elektrolyttlekkasje.
- Hvis verktøyet ikke skal brukes over en lengre periode, må batteriet tas ut av verktøyet.
- Under og etter bruk kan batteriet bli varmt og før til brannskader. Vær forsiktig med håndteringen av varme batterier.
- Ikke berører terminalen på verktøyet rett etter bruk, da den kan bli varm og forårsake brannskader.
- Ikke la spon, støv eller jord sette seg fast i terminalene, hullene og sporene i batteriet. Det kan føre til at batteriet eller verktøyet blir overopphetet, begynner å brenne, sprekker eller ikke fungerer som det skal, og forårsake brannskader eller personskade.
- Med mindre verktøyet støtter bruk nær en høyspent strømlinje, skal ikke batteriet brukes nær en høyspent strømlinje. Det kan føre til en funksjonsfeil eller at verktøyet eller batteriet slutter å fungere.
- Oppbevar batteriet utilgjengelig for barn.

## TA VARE PÅ DISSE INSTRUKSENE.

**⚠FORSIKTIG:** Bruk kun originale Makita-batterier. Bruk av batterier som har endret seg, eller som ikke er originale Makita-batterier, kan føre til at batteriet sprekker og forårsaker brann, personskader og andre skader. Det vil også ugyldiggjøre garantien for Makita-verktøyet og -laderen.

## Tips for å opprettholde maksimal batterilevetid

- Lad batteriinnnsatsen før den er helt utladet. Stopp alltid driften av verktøyet og lad batteriinnnsatsen når du merker at effekten reduseres.
- Lad aldri en batteriinnnsats som er fulladet. Overopplading forkorter batteriets levetid.
- Lad batteriet i romtemperatur ved 10 °C - 40 °C. Et varmt batteri må kjøles ned før lading.
- Når batteriet ikke er bruk, skal det tas ut av verktøyet eller laderen.
- Lad batteriet hvis det ikke har vært brukt på en lang stund (over seks måneder).

## FUNKSJONSBESKRIVELSE

**⚠FORSIKTIG:** Forviss deg alltid om at maskinen er slått av og batteriet tatt ut før du justerer maskinen eller kontrollerer dens mekaniske funksjoner.

### Sette inn eller ta ut batteri

**⚠FORSIKTIG:** Slå alltid av verktøyet før du setter inn eller fjerner batteriet.

**⚠FORSIKTIG:** Hold verktøyet og batteripatronen i et fast grep når du monterer eller fjerner batteripatronen. Hvis du ikke holder verktøyet og batteripatronen godt fast, kan du miste grepet, og dette kan føre til skader på verktøyet og batteripatronen samt personskader.

► Fig.1: 1. Rød indikator 2. Knapp 3. Batteriinnsets

For å ta ut batteriet må du skyve på knappen foran på batteriet og trekke det ut.

Når du skal sette inn batteriet, må du plassere tungen på batteriet på linje med sporet i huset og skyve batteriet på plass. Skyv det helt inn til det går i inngrep med et lite klink. Hvis du kan se den røde indikatoren som vist i figuren, er det ikke helt låst.

**⚠FORSIKTIG:** Batteriet må alltid settes helt inn, så langt at den røde indikatoren ikke lenger er synlig. Hvis dette ikke gjøres, kan batteriet falle ut av verktøyet og skade deg eller andre som oppholder seg i nærheten.

**⚠FORSIKTIG:** Ikke bruk makt når du setter i batteriet. Hvis batteriet ikke glir lett inn, er det fordi det ikke settes inn på riktig måte.

## Indikere gjenværende batterikapasitet

### Kun for batterier med indikatoren

► **Fig.2:** 1. Indikatorlamper 2. Kontrollknapp

Trykk på sjekk-knappen på batteriet for vise gjenværende batterikapasitet. Indikatorlampene lyser i et par sekunder.

Indikatorlamper			Gjenværende batterinivå
Tent	Av	Blinker	
■	□	▬	75 % til 100 %
■	■	■	
■	■	□	50 % til 75 %
■	■	□	25 % til 50 %
■	□	□	0 % til 25 %
▬	□	□	Lad batteriet.
■	■	□	Batteriet kan ha en feil.
□	□	■	

**MERK:** Det angitte nivået kan avvike noe fra den faktiske kapasiteten alt etter bruksforholdene og den omgivende temperaturen.

**MERK:** Den første (helt til venstre) indikatorlampe vil blinke når batterivernsystemet fungerer.

## Batterivernsystem for verktøy/batteri

Verktøyet er utstyrt med et batterivernsystem for verktøy/batteri. Dette systemet slår automatisk av strømmen til motoren for å forlenge verktøyets og batteriets levetid. Verktøyet stopper automatisk under drift hvis verktøyet eller batteriet utsettes for en av følgende tilstander. Indikatorene lyser i noen tilfeller.

### Overlastsikring

Når verktøyet/batteriet brukes på en måte som gjør at det trekker unormalt mye strøm, stopper verktøyet automatisk og driftslampen blinker. I denne situasjonen må du slå av verktøyet og stanse bruken som forårsaket at verktøyet ble overbelastet. Slå deretter verktøyet på for å starte det igjen.

### Overopphetingsvern

Når verktøyet/batteriet er overopphetet, stanser verktøyet automatisk, og driftslampen vil blinke. Hvis dette skjer, må du la verktøyet kjøle seg ned før du slår på verktøyet igjen.

### Overutladningsvern

Når det blir lite batteri igjen, stopper verktøyet automatisk. Hvis verktøyet ikke går selv om bryteren aktiveres, må du ta batteriet ut av verktøyet og lade det.

## Vern mot andre årsaker

Vernesystemet er også laget for beskyttelse mot andre ting som kan skade verktøyet og gjøre at det stanser automatisk. Ta alle de følgende forholdsreglene for å fjerne årsakene til at verktøyet har stanset midlertidig mens det er i drift.

1. Skru av verktøyet, og så skru du verktøyet på igjen for å starte på nytt.
2. Lad opp batteriet/ene eller skift det/dem ut med oppladde batteri(er).
3. La både verktøyet og batteriet/ene kjøle seg ned.

Hvis det ikke blir noen forbedring ved at vernesystemet gjenopprettes, ta kontakt med det lokale Makita servicesenteret.

## Bryterfunksjon

**⚠ ADVARSEL:** Maskinen må **ALDRI** brukes hvis den begynner å gå bare du trykker på startbryteren, uten at du må trykke på AV-sperreknappen også. En skadet/defekt bryter kan føre til at maskinen aktiveres utilsikket og alvorlige personskader kan oppstå. Returner maskinen til et Makita-servicesenter for å få den reparert FØR videre bruk.

**⚠ ADVARSEL:** **ALDRI** sett AV-sperreknappen ute av funksjon ved å for eksempel teipe over den. En defekt AV-sperreknapp kan føre til at maskinen aktiveres utilsikket og alvorlige personskader kan oppstå.

**⚠ FORSIKTIG:** Før du setter batteriet inn i maskinen, må du alltid kontrollere at startbryteren aktiverer maskinen på riktig måte og går tilbake til «AV»-stilling når den slippes.

**⚠ FORSIKTIG:** Ikke dra hardt i startbryteren uten å trykke inn AV-sperreknappen. Det kan føre til at bryteren knekker.

**⚠ FORSIKTIG:** Verktøyet starter nedbremsingen av diamantskiven så snart du slipper startbryteren. Hold godt fast i verktøyet som motvekt til bremsens reaksjon når du slipper startbryteren. Plutselig reaksjon kan gjøre at verktøyet glipper ut av hånden din og forårsaker personskade.

Verktøyet er utstyrt med en AV-sperreknapp for å unngå at noen drar i startbryteren ved en feiltakelse. Trykk på og hold inne AV-sperreknappen og dra i startbryteren for å starte verktøyet. Slipp bryteren for å stanse verktøyet.

► **Fig.3:** 1. Startbryter 2. AV-sperreknapp

## Velge skive

**⚠ FORSIKTIG:** Angitt hastighet for tilbehøret må være minst like høy som største angitte hastighet på elektroverktøyet. Tilbehør som kjøres med større hastighet enn det som er angitt, kan gå i stykker og slynges ut.

**⚠ FORSIKTIG:** Skiver skal bare brukes for anbefalte bruksområder.

Velg aktuell type skjæreskive avhengig av bruksområdet.

Type skive	Praktiske bruksområder
Kappeskive	Skjære stål, rustfritt stål, metaller
Slipeskive i wolframkarbid	Skjære plast, gips og sammensatte materialer
Diamantskive	Skjære fliser, keramikk

## Retning på skivens rotasjon

**⚠️FORSIKTIG:** Før arbeidet begynner, må du alltid kontrollere rotasjonsretningen.

**⚠️FORSIKTIG:** Bruk reverseringsbryteren bare etter at verktøyet har stoppet helt. Et plutselig bytte av rotasjonsretning under bruk fører til full stans av verktøyet av sikkerhetsmessige hensyn.

Skivens rotasjon kan endres i enten fremover eller revers retning.

Hvis du vil konfigurere rotasjon fremover, skyver du reverseringsbryteren til venstre til indikasjonen "F" vises på bryteren. Hvis du vil konfigurere revers rotasjon, skyver du reverseringsbryteren til høyre til indikasjonen "R" vises på bryteren.

► **Fig.4:** 1. Reverseringsbryter

Fliser, partikler, gnister og avskårne biter sendes ofte av gårde i motsatt retning av skivens rotasjon. Bruk beskyttelseskappen for å unngå utstrakt eksponering for avskårne biter og partikler slik at kappen kan skille ut støv og partikler i en annen retning.

En reaksjon på plutselig stopp av den roterende skiven kan føre til ukontrollert drift av verktøyet i motsatt retning av skivens rotasjon.

### Rotasjon fremover

► **Fig.5:** 1. Avskårne partikler 2. Reaksjoner

### Reversert rotasjon

► **Fig.6:** 1. Avskårne partikler 2. Reaksjoner

## Beskyttelseskappe

**⚠️FORSIKTIG:** Sørg for at beskyttelseskappen sitter riktig og godt plassert bak skjæreskiven før bruk.

Fest beskyttelseskappen i en komfortabel posisjon for maksimum sikkerhet og minimum eksponering for mulige risikofaktorer i henhold til arbeidsforhold og preferanser.

### Posisjonering fremover

► **Fig.7:** 1. Beskyttelseskappe 2. Skjæreskive

### Reversert posisjonering

► **Fig.8:** 1. Beskyttelseskappe 2. Skjæreskive

## Spindellås

Trykk på spindellåsen for å forhindre spindelrotasjon når du monterer eller fjerner en skjæreskive.

► **Fig.9:** 1. Spindellås

**OBS:** Du må aldri aktivere spindellåsen mens spindelen beveger seg. Dette kan skade verktøyet.

## Driftslampe

**⚠️FORSIKTIG:** Ikke se inn i lyset eller se direkte på lyskilden.

For å slå på driftslampen, må du trykke på og holde inne AV-sperreknappen og trekke i startbryteren. Lampen slukkes omtrent 15 sekunder etter at startbryteren er sluppet.

► **Fig.10:** 1. Driftslampe

**OBS:** Hvis verktøyet påføres for høy belastning, begynner driftslampen å blinke. I denne situasjonen må du slippe startbryteren og deretter redusere belastningen på verktøyet før du bruker det igjen.

**OBS:** Hvis verktøyet blir overopphetet, blinker lampen. I dette tilfellet må du slippe startbryteren og deretter kjøle ned verktøyet/batteriet før du bruker det igjen.

**MERK:** Bruk en tørr klut til å tørke støv osv. av lampelinsen. Vær forsiktig så det ikke blir riper i lampelinsen, da dette kan redusere lysstyrken.

## Justere skjæredybden

**⚠️FORSIKTIG:** Når du har justert skjæredybden, må du alltid stramme fingerskruen godt.

Når støvoppsamlingsdekselet er installert, kan det utføres finjusteringer av skjæredybden på opptil 13,5 mm.

Løsne fingerskruen på dybdeskalaen. Løft eller løsne verktøyhåndtaket i posisjon for å justere dybdeindikatorene på dekselet med ønsket skjæredybde på skalaen. Stram deretter til fingerskruen.

► **Fig.11:** 1. Fingerskrue 2. Dybdeskala 3. Dybdeindikator

**⚠️FORSIKTIG:** For ren og trygg skjæring stiller du inn skjæredybden slik at skjæreskiven passerer over undersiden av arbeidsstykket med 2,0 mm eller mindre. Hvis skjæredybden er riktig, reduseres risikoen for farlige tilbakeslag som kan forårsake personskader.

## Skjæring i rett linje

Når støvoppsamlingsdekselet er installert, kan det trykkes utføres skjæring i rett linje ved å justere skjæreskiven mot skjæreretningen før du begynner å skjære.

Innrett føringssporet i foten på støvoppsamlingsdekselet med den tiltenkte skjærelinjen på arbeidsstykket.

► **Fig.12:** 1. Føringsspor 2. Fot 3. Skjærelinje

## Koble til støvsuger

### Valgfritt tilbehør

Hvis du vil skjære så rent som mulig, kan du koble en Makita-støvsuger til støvmunnstykket i støvoppsamlingsdekselet ved hjelp av munnstykke 22 (valgfritt tilbehør).

► **Fig.13:** 1. Munnstykke 22 2. Støvmunnstykke 3. Slange 4. Støvsuger

## Funksjon som forhindrer utilsiktet start

Hvis du setter inn batteriet mens du trekker i startbryteren, starter ikke verktøyet.

Slipp startbryteren først for å starte verktøyet. Trykk på og hold inne AV-sperreknappen og dra i startbryteren.

## Elektronisk funksjon

Maskinen er utstyrt med de elektroniske funksjonene for å gjøre den enkel å bruke.

- Elektrisk brems  
Dette verktøyet er utstyrt med elektrisk brems. Hvis verktøyet ikke slutter å virke når startbryteren slippes, må du få gjennomført service ved et Makita servicesenter.
- Konstant hastighetskontroll  
Hastighetskontrollfunksjonen sørger for konstant rotasjonshastighet uavhengig av belastningsforhold.
- Aktiv tilbakeslagfølende teknologi  
Verktøyet vil elektronisk oppdage situasjoner hvor skiven eller tilbehøret risikerer å sette seg fast. I dette tilfellet vil verktøyet automatisk slå seg av, for å unngå at spindelen fortsetter å rotere (det forhindrer ikke tilbakeslag).  
For å starte verktøyet på nytt, må du først slå av verktøyet, fjerne årsaken til det plutselige rotasjonsfallet og deretter slå på verktøyet igjen.

## MONTERING

**⚠FORSIKTIG:** Forviss deg alltid om at maskinen er slått av og batteriet tatt ut før du utfører noe arbeid på maskinen.

### Oppbevare sekskantnøkkel

Når sekskantnøkkelen ikke er i bruk, må du oppbevare den som vist i figuren, slik at du ikke mister den.

► Fig.14: 1. Sekskantnøkkel

### Ta av og sette på skjæreskiven

**⚠FORSIKTIG:** Bruk kun sekskantnøkkelen fra Makita til å fjerne og montere en skjæreskive.

**⚠FORSIKTIG:** Sørg for å trekke boltene godt til når du monterer skjæreskiven.

**OBS:** Når du monterer en diamantskive, må du alltid sørge for at pilene på diamantskiven peker i samme retning som ønsket skiverotasjon.

For å ta av en skjæreskive må du trykke spindellåsen helt inn slik at skiven ikke kan rotere, og bruke sekskantnøkkelen til å løsne sekskantskruen mot klokken. Fjern deretter sekskantskruen, den ytre flensen og skjæreskiven.

► Fig.15: 1. Spindellås 2. Sekskantnøkkel 3. Sekskantskrue 4. Løsne 5. Stramme

**OBS:** Hvis den indre flensen fjernes, monterer du den tilbake på spindelen igjen, slik at monteringsdelen for skiven er vendt opp.

Montering av skjæreskive utføres ved å følge fremgangsmåten for fjerning i motsatt rekkefølge.

► Fig.16: 1. Sekskantskrue 2. Ytre flens 3. Skjæreskive 4. Indre flens 5. Spindel

## Montere eller fjerne støvoppsamlingsdekelet

**⚠FORSIKTIG:** Sørg for at støvoppsamlingsdekelet er låst med stopperen i støvoppsamlingsdekelet før bruk.

**⚠FORSIKTIG:** Unngå å bruke støvoppsamlingsdekelet for metallarbeid som genererer varme og flyvende gnister, da dette kan smelte plastkomponentene i støvoppsamlingsdekelet.

Støvoppsamlingsdekelet sørger for trygg og effektiv skjæring og gir beskyttelse mot den roterende skiven, stabilitet under skjæring, nøyaktig kontroll over skjæredybde og løsninger for støvoppsamling, spesielt ved skjæring av fliser, gips og stein.

### Montere støvoppsamlingsdekelet

1. Løsne fingerskruen på støvoppsamlingsdekelets dybdeskala. Løft dekelet helt opp, og stram til fingerskruen for å feste støvoppsamlingsdekelet i hevet posisjon.

► Fig.17: 1. Fingerskrue 2. Dybdeskala 3. Støvoppsamlingsdeksel

2. Still inn beskyttelseskappen på verktøyet i posisjon fremover.

► Fig.18: 1. Beskyttelseskappe

3. Hev verktøyhåndtaket et lite stykke, og plasser den fremre halvdel av beskyttelseskappen inn i støvoppsamlingsdekelet i en vinkel slik at bunnen av skjæreskiven går ned gjennom skivesporet i sokkelen.

► Fig.19: 1. Beskyttelseskappe 2. Støvoppsamlingsdeksel 3. Skjæreskive 4. Skivespor

4. Monter bakre halvdel av beskyttelseskappen i støvoppsamlingsdekelet mens du senker verktøyhåndtaket fra hevet posisjon.

► Fig.20: 1. Beskyttelseskappe 2. Støvoppsamlingsdeksel

5. Hev verktøyhåndtaket igjen for å feste den bakre kanten av beskyttelseskappen over stopperen i støvoppsamlingsdekelet.

► Fig.21: 1. Beskyttelseskappe 2. Stopper

6. Løsne fingerskruen. Sving verktøyet opp og ned til ønsket skjæredybde. Stram fingerskruen for å feste verktøyet på plass.

### Ta av støvoppsamlingsdekelet

1. Løsne fingerskruen på støvoppsamlingsdekelets dybdeskala. Løft verktøyhåndtaket helt opp, og stram til fingerskruen for å feste støvoppsamlingsdekelet i hevet posisjon.

► Fig.22: 1. Fingerskrue 2. Dybdeskala 3. Støvoppsamlingsdeksel



2. Skyv utløserspaken mot fingerskruen for å låse opp beskyttelseskappen fra stopperen i støvoppsamlingsdekselet.
  - **Fig.23:** 1. Utløserpak 2. Fingerskrue  
3. Beskyttelseskappe  
4. Støvoppsamlingsdekselet 5. Stopper
3. Løsne bakre halvdel av beskyttelseskappen fra støvoppsamlingsdekselet mens du senker verktøyhånd-taket fra hevet posisjon.
  - **Fig.24:** 1. Beskyttelseskappe  
2. Støvoppsamlingsdekselet
4. Dra fremre halvdel av beskyttelseskappen oppover og utover vekk fra støvoppsamlingsdekselet.
  - **Fig.25:** 1. Beskyttelseskappe  
2. Støvoppsamlingsdekselet

## BRUK

**⚠FORSIKTIG:** Ha alltid et godt grep om verktøyet under bruk.

**⚠FORSIKTIG:** Ikke bruk makt på verktøyet. Hvis skiven utsettes for bruk av makt eller overdrevent trykk, eller blir bøyd, klemt eller vridd, kan motoren bli overopphetet. Dette kan føre til farlige tilbakeslag fra verktøyet.

**⚠FORSIKTIG:** Sørg for at du ikke overoppheter skjæreskiven når du skjærer i plast. Det kan føre til at du smelter arbeidsstykket.

**⚠FORSIKTIG:** Ikke slå på eller dunk borti en skjæreskive ved oppstart eller under bruk.

**⚠FORSIKTIG:** Bruk alltid vernebriller eller visir ved arbeid med verktøyet.

**⚠FORSIKTIG:** Når du er ferdig med å bruke verktøyet, må du alltid slå det av og vente til skiven har stoppet helt før du setter verktøyet ned.

## Skjære nedover

**OBS:** Vær forsiktig og velg en effektiv skjære-overflate for skiven slik at du unngår avskårne partikler.

**OBS:** Sørg for at skjæreskiven står rett i arbeidsstykket, og unngå å vippe eller svinge skjæreskiven under bruk.

Posisjoner beskyttelseskappen riktig for å sikre maksimum beskyttelse mot gnister og løse partikler fra skjæreskiven. Plasser verktøyet over arbeidsstykket uten at skjæreskiven er i kontakt med stykket. Slå på verktøyet, og vent til skjæreskiven når full hastighet. Senk deretter verktøyet sakte over overflaten på arbeidsstykket med en moderat mater som er egnet for bruksområdet.

### Rotasjon fremover

► Fig.26

### Reversert rotasjon

► Fig.27

## Skjæring i rett linje

**⚠FORSIKTIG:** Sørg for at skjæreskiven alltid fungerer i en kappebevegelse. Ellers kan det hende at verktøyet skyves ukontrollert ut av kuttet.

**OBS:** Hold skjærelinjen rett, og påfør jevnt trykk for å oppnå et jevnt kutt gjennom arbeidsstykket.

Sett bunnplaten til støvoppsamlingsdekselet på arbeidsstykket som skal skjæres, uten at skjæreskiven kommer i kontakt med den. Slå på verktøyet, og vent til skjæreskiven når full hastighet. Beveg verktøyet sakte over overflaten på arbeidsstykket mens du holder det flatt og beveger det jevnt forover til snittet er fullført. Velg reversert rotasjon for skyvekutt og rotasjon fremover for drakutt.

### Skyvekutt i reversert rotasjon

► Fig.28

### Drakutt i rotasjon fremover

► Fig.29

**MERK:** Vær oppmerksom på at støvoppsamlingsdekselet ikke er like effektivt ved drakutt ettersom noen partikler spres på innsiden av dekelet mot flytretningen for støvoppsamlingen.

## VEDLIKEHOLD

**⚠FORSIKTIG:** Forviss deg alltid om at maskinen er slått av og batteriet tatt ut før du foretar inspeksjon eller vedlikehold.

**OBS:** Aldri bruk gasolin, bensin, tynner alkohol eller lignende. Det kan føre til misfarging, deformering eller sprekkdannelse.

For å opprettholde produktets SIKKERHET og PÅLITELIGHET, må reparasjoner, vedlikehold og justeringer utføres av autoriserte Makita servicesentre eller fabrikksservicesentre, og det må alltid brukes reservedeler fra Makita.

## Pusse diamantskive

Hvis diamantskivens skjæreevne begynner å avta, må du pusse snittkanten på diamantskiven på en gammel kassert grov slipestein eller en betongblokk. For å få til dette, må du feste slipesteinen eller betongblokken godt og skjære i den.

## Etter bruk

Rengjør støvet i verktøyet ved å la det gå på tomgang en stund. Oppsamlet støv inne i motoren kan forårsake funksjonsfeil.

## Rengjøre beskyttelseskappen og støvoppsamlingsdekselet

Rengjør innsiden av beskyttelseskappen og støvoppsamlingsdekselet med jevne mellomrom. Blås eller tork av oppsamlet skitt og smuss.

- **Fig.30:** 1. Beskyttelseskappe  
2. Støvoppsamlingsdeksel

## Rengjøring av luftventil

Rengjør luftventilene i verktøyet med jevne mellomrom for jevn luftsirkulasjon. Fjern støvdekslet fra innsugingsventilen, og rengjør den når den blir skitten og tett.

- **Fig.31:** 1. Støvdeksel 2. Innsugingsventil

## VALGFRITT TILBEHØR

**⚠FORSIKTIG:** Det anbefales at du bruker dette tilbehøret eller verktøyet sammen med den Makita-maskinen som er spesifisert i denne håndboken. Bruk av annet tilbehør eller verktøy kan forårsake personskader. Tilbehør og verktøy må kun brukes til det formålet det er beregnet på.

Ta kontakt med ditt lokale Makita-servicesenter hvis du trenger mer informasjon om dette tilbehøret.

- Kappeskive
- Diamantskive
- Slipeskive i wolframkarbid
- Sekskantnøkkel
- Makita originalbatteri og lader

**MERK:** Enkelte elementer i listen kan være inkludert som standardtilbehør i verktøypakken. Elementene kan variere fra land til land.

## TEKNISEET TIEDOT

<b>Malli:</b>	<b>DMC300</b>	
Laikan ulkohalkaisija	76 mm	
Laikan (karan) sisähalkaisija	10,0 mm / 9,5 mm (3/8") (maakohtainen)	
Laikan suurin paksuus	1,0 mm	
Suurin leikkuukapasiteetti	Mukana pölynkeräyssuojus	13,5 mm
	Ilman pölynkeräyssuojusta	16,0 mm
Nimellisnopeus (n) / nopeus ilman kuormaa (n <sub>0</sub> )	20 000 min <sup>-1</sup>	
Kokonaispituus	271 mm *1	
Nimellisjännite	18 V DC	
Nettopaino	1,2–1,7 kg	

\*1. Mukana akkupakkaus (BL1860B) / Ilman pölynkeräyssuojusta

- Jatkuva tutkimus- ja kehitystyöstämme johtuen esitetyt tekniset tiedot saattavat muuttua ilman erillistä ilmoitusta.
- Tekniset tiedot ja akkupaketti voivat vaihdella maittain.
- Paino voi olla erilainen lisävarusteista sekä akusta johtuen. EPTA-menettelytavan 01/2014 mukaisesti, taulukossa on kuvattu kevyin ja painavin laiteyhdistelmä.

### Käytettävä akkupaketti ja laturi

Akkupaketti	BL1815N / BL1820B / BL1830B / BL1840B / BL1850B / BL1860B
Laturi	DC18RC / DC18RD / DC18RE / DC18SD / DC18SE / DC18SF / DC18SH / DC18WC

- Tiettyjä yläpuolella kuvattuja akkuja ja latureita ei ehkä ole saatavana asuinalueestasi johtuen.

**VAROITUS:** Käytä vain edellä eriteltyjä akkupaketteja ja latureita. Muiden akkupakettien ja laturien käyttäminen voi aiheuttaa loukkaantumisen ja/tai tulipalon.

### Käyttötarkoitus

Työkalu on tarkoitettu metallista, muovista, keramiikasta, kipsistä tai vastaavasta komposiittimateriaalista tehdyn levyn, helan, putken, laatan tai seinän leikkaamiseen ilman vettä.

### Melutaso

Tyypillinen A-painotettu melutaso määräytyy standardin EN60745-2-22 mukaan:

Äänenpainetaso (L<sub>pA</sub>): 88 dB (A)

Äänen voiman taso (L<sub>WA</sub>): 99 dB (A)

Virhemarginaali (K): 3 dB (A)

**HUOMAA:** Ilmoitetut melutasoarvot on mitattu standarditestausmenetelmän mukaisesti ja niiden avulla voidaan vertailla työkaluja keskenään.

**HUOMAA:** Ilmoitettuja melutasoarvoja voidaan käyttää myös altistumisen alustavaan arviointiin.

**VAROITUS:** Käytä kuulosuojaimia.

**VAROITUS:** Sähkötyökalun käytön aikana mitattu melutasoarvo voi poiketa ilmoitetuista arvoista laitteen käyttötavan ja erityisesti käsiteltävän työkalupaleen mukaan.

**VAROITUS:** Selvitä käyttäjän suojaamiseksi tarvittavat varotoimet todellisissa käyttöolosuhteissa tapahtuvan arvioitun altistumisen mukaisesti (ottaen huomioon käyttöjaksoko-konaisuudessaan, myös jaksot, joiden aikana laite on sammutettuna tai käy tyhjäkäynnillä).

### Tärinä

Kokonaistärinä (kolmen akselin vektorien summa)

määräytyy standardin EN60745-2-22 mukaan:

Työtila: betonin leikkaaminen (paksuus 5 mm)

Tärinäpäästö (a<sub>h</sub>): 3,0 m/s<sup>2</sup>

Virhemarginaali (K): 1,5 m/s<sup>2</sup>

**HUOMAA:** Ilmoitetut kokonaistärinäarvot on mitattu standarditestausmenetelmän mukaisesti ja niiden avulla voidaan vertailla työkaluja keskenään.

**HUOMAA:** Ilmoitettuja kokonaistärinäarvoja voidaan käyttää myös altistumisen alustavaan arviointiin.

**VAROITUS:** Sähkötyökalun käytön aikana mitattu todellinen tärinäpäästöarvo voi poiketa ilmoitetuista arvoista laitteen käyttötavan ja erityisesti käsiteltävän työkappaleen mukaan.

**VAROITUS:** Selvitä käyttäjän suojaamiseksi tarvittavat varoimet todellisissa käyttöolosuhteissa tapahtuvan arvioitujen altistumisen mukaisesti (ottaen huomioon käyttäjäksi kokonaisuudessaan, myös jaksot, joiden aikana laite on sammutettuna tai käy tyhjäkäynnillä).

## EY-vaatimustenmukaisuusvakuutus

### Koskee vain Euroopan maita

EY-vaatimustenmukaisuusvakuutus on liitetty tähän käyttöoppaaseen.

## TURVAVAROITUKSET

### Sähkötyökalujen käyttöä koskevat yleiset varoitukset

**VAROITUS:** Tutustu kaikkiin tämän sähkötyökalun mukana toimitettuihin varoituksiin, ohjeisiin, kuviin ja teknisiin tietoihin. Seuraavassa luetellut ohjeiden noudattamatta jättäminen saattaa johtaa sähköiskuun, tulipaloon tai vakavaan vammautumiseen.

### Säilytä varoitukset ja ohjeet tulevaa käyttöä varten.

Varoituksissa käytettävällä termillä "sähkötyökalu" tarkoitetaan joko verkkovirtaa käyttävää (johdollista) työkalua tai akkukäyttöistä (johdotonta) työkalua.

### Kompaktin katkaisusahan turvavaroitukset

- Laitteen mukana toimitettu suojaus on kiinnitettävä laitteeseen tukevasti turvalliseen asentoon niin, että mahdollisimman pieni osa laikasta näkyy käyttäjää kohti. Asetu siten, että sinä itse tai kukaan sivullinen ei ole pyörivän laikan kanssa samassa tasossa.** Suoja suojaaa käyttäjää rikkoutuneen laikan sirpaleilta ja estää koskettamasta laikkaa vahingossa.
- Käytä ainoastaan sähkötyökaluun tarkoitettuja vahvistettuja tai timanttikatkaisulaikkoja.** Vaikka lisävarusteen voikin kiinnittää sähkötyökaluun, sen käyttö ei silti välttämättä ole turvallista.
- Lisävarusteen määrätyn nopeuden täytyy olla ainakin samanvertainen laitteessa osoitetun enimmäisnopeuden kanssa.** Sellaiset lisävarusteet, jotka toimivat nopeammin kuin määritetty nopeus, voivat rikkoutua ja sinkoutua erilleen.
- Laikkoja saa käyttää vain niille suositeltuun käyttötarkoitukseen.** Esimerkki: älä käytä katkaisulaikan sivua hiomiseen. Katkaisulaikkaa käytettäessä hionta tapahtuu vain laikan kehällä. Sivuttaisvoimat voivat rikkoa laikan.
- Käytä aina ehjiä laikkalaippoja, joiden läpimittaa vastaa valittua laikkaa.** Oikeantyyppiset laikkalaipat tukevat laikkaa ja pienentävät näin laikan rikkoutumisriskiä.
- Älä käytä suurempien sähkötyökalujen kulu-neita laikkoja.** Suurempiin sähkötyökaluihin tarkoitettua laikat eivät sovi suuremmalla nopeudella toimiviin pienempiin sähkötyökaluihin ja voivat siksi hajota.
- Lisävarusteeksi ulkohalkaisijan ja paksuuden on oltava laitteesi määritetyn kapasiteetin sisällä.** Väärin mitoitettuja lisävarusteita ei voida suojata tai ohjata sopivasti.
- Laikkojen ja laippojen reikäkokojen täytyy sopia laitteen karaan täsmälleen.** Laikat ja laipat, joiden rei'itys ei vastaa laitteen kiinnitysosaa, toimivat epätasapainossa, värähtelevät liika ja saattavat aiheuttaa hallinnan menetyksen.
- Älä käytä viallisia laikkoja.** Tarkasta ennen jokaista käyttökertaa, ettei laikoissa ei ole lohkeamia tai halkeamia. Jos laite tai laikka pääsee putoamaan, tarkista sen kunto tai vaihda laikka ehjään. Asetu laikan tarkastuksen ja asennuksen jälkeen siten, että sinä itse tai kukaan sivullinen ei ole pyörivän laikan kanssa samassa tasossa, ja käytä laitetta sitten suurimmalla sallitulla joutokäyntinopeudella yhden minuutin ajan. Vialliset laikat rikkoutuivat yleensä tämän kokeen aikana.
- Käytä henkilönsuojaimia. Käytä aina kuulosuojaimia. Käytä käyttötarkoituksen mukaisesti kasvosuojusta, suojalaseja tai sivusuojalla varustettuja laseja. Käytä tarvittaessa hengityssuojainta, hansikkaita ja työessua, joka suojaa pieniltä pirstaleilta.** Suojalasiin täytyy suojata kaikenlaisista töistä aiheutuilta lentäviltä pirstaleilta. Hengityssuojaimen täytyy suodattaa hengityksen tuottamat hiukkaset. Pitkäaikainen altistuminen voimakkaalle melulle voi vahingoittaa kuuloa.
- Pidä sivulliset turvallisen välimatkan päässä työalueelta. Kaikkien työskentelyalueelle tulevien on käytettävä suojavarusteita.** Työkappaleen tai rikkoutuneen laikan sirpaleet voivat sinkoutua ja aiheuttaa onnettomuuden muuallakin kuin käyttökohteen välittömässä läheisyydessä.
- Pidä sähkötyökalua vain sen eristetyistä tartuntapinnoista, kun on mahdollista, että sen terä osuu pilossa oleviin johtoihin.** Jos leikkauksilälaite joutuu kosketukseen jännitteisen johdon kanssa, jännite voi siirtyä työkalun sähköjohtaviin metalliosiin ja aiheuttaa käyttäjälle sähköiskun.
- Älä koskaan laita laitetta alas, ennen kuin lisävaruste on täysin pysähtynyt.** Pyörivä laikka voi tarttua alla olevaan pintaan ja vetää laitteen pois hallinnastasi.
- Älä käytä laitetta, kun kannat sitä sivullasi.** Vahingossa aiheutuva kosketus pyörivään lisävarusteeseen voi repiä vaatteesi, vetäen lisävarusteen kehoosi.
- Puhdista laitteen ilma-aukot säännöllisesti.** Moottorin tuuletin imee pölyä koteloon ja metallijauheen kerääntyminen laitteeseen voi aiheuttaa sähköiskuvaaran.

16. **Älä käytä laitetta tulenarkojen materiaalien lähellä.** Kipinät voivat sytyttää nämä materiaalit.

#### **Takapotku ja siihen liittyvät varoitukset**

Takapotku on kiinni juuttuneen laikan aiheuttama äkillinen sysäys. Kiinni juuttuminen tai takertelu aiheuttaa pyörivän laikan äkinäisen pysähtymisen, mikä puolestaan aiheuttaa työkalun hallitsemattoman työntymisen pyörimisliikkeen vastakkaiseen suuntaan.

Jos laikka esimerkiksi juuttuu työkappaleeseen, juuttumiskohtaan puretumassa oleva laikka voi tunkeutua kappaleen pintaan, jolloin se kiipeää ylös tai potkaisee taaksepäin. Laikka voi ponnahtaa joko käyttäjää kohti tai käyttäjästä pois päin riippuen laikan pyörimissuunnasta juuttumishetkellä. Hiomalaikat voivat myös rikkoutua näissä tilanteissa.

Takapotku johtuu tehokoneen virheellisestä käytöstä ja/ tai käyttötavasta tai olosuhteista. Takapotku voidaan välttää seuraavien varotoimien avulla.

1. **Pitele tehokoneesta tukevasti kiinni ja asetu sellaiseen asentoon, että voit vastustaa takapotkun voimaa.** Käytä aina apukahvaa, jos annettu mukana, takapotkujen tai vääntömomentin maksimi hallinnon vuoksi käynnistytyn aikana. Käyttäjä voi hallita vääntömomentin reaktioita tai takapotkun voimaa noudattamalla sopivia varotoimenpiteitä.
2. **Älä koskaan vie kättäsi pyörivän lisävarusteen lähelle.** Lisävaruste saattaa aiheuttaa takapotkun käsillesi.
3. **Älä asetu pyörivän laikan kanssa samaan linjaan.** Takapotku heittää laitetta laikan pyörimissuuntaan nähden päinvastaiseen suuntaan.
4. **Ole erityisen varovainen, kun työstät nurkkia, teräviä reunoja tms. Vältä laikan pömpömistä ja jumittumista.** Kulmilla, terävillä reunoilla tai ponnahtamisella on taipumus repäistä pyörivää lisävarustetta ja aiheuttaa hallinnan menettämisen tai takapotkun.
5. **Älä käytä laitteessa moottorisahan teräketjua, puunleikkuuterää, halkaisijaltaan yli 10 mm:n kokoista segmentoitua timanttilaikkaa tai hammastettua sahanterää.** Tällaiset terät aiheuttavat usein takapotkuja ja hallinnan menettämisen.
6. **Älä anna laikan juuttua paikalleen äläkä paina laitetta liian voimakkaasti. Älä yritä tehdä liian syvää uraa.** Laikan liiallinen painaminen lisää kuormitusta ja laikan vääntymis- tai juuttumisriskiä, jolloin seurauksena voi olla takapotku tai laikan rikkoutuminen.
7. **Kun laikka takertelee tai työ joudutaan jostakin syystä keskeyttämään, katkaise laitteesta virta ja pidä sitä paikoillaan liikkumatta, kunnes laikka on täysin pysähtynyt. Älä koskaan yritä irrottaa laikkaa urasta, kun laikka vielä pyörii, koska seurauksena voi olla takapotku.** Selvitä laikan takertelun syy ja poista juuttuminen aiheutumisen syy.
8. **Älä käynnistä laitetta niin, että se on kiinni työkappaleessa. Anna laikan savuttaa täysi pyörimisnopeus ja työnnä laikka sitten varovasti leikkaa-uraan.** Jos työkalu käynnistetään niin, että se on kiinni työkappaleessa, laikka voi juuttua, työntyä taaksepäin tai ponnahtaa ylös.

9. **Vähennä laikan takertelu- ja takapotkuriskiä tukemalla paneelit ja ylisuuret työkappaleet huolellisesti.** Suurikokoiset työkappaleet pyrkivät taipumaan omasta painostaan. Työkappale on tuettava laikan kummaltakin puolelta leikkuulinjan vierestä ja työkappaleen reunoilta.

10. **Ole erityisen varovainen, kun teet aukkoja seinin tai muihin umpinaiisiin rakenteisiin.** Laikka voi katkaista kaasu- tai vesiputken tai sähköjohtoja tai osua takapotkun aiheuttaviin esteisiin.

11. **Ennen kuin käytät segmentoitua timanttilaikkaa, varmista, ettei segmenttien välinen rako laikan kehällä ole yli 10 mm ja että laikan teräkulma on negatiivinen.**

#### **Turvallisuutta koskevat lisävaroitukset:**

1. **Älä koskaan yritä koskaan sahata laitteella, joka on yösalaisin viilapenkillä.** Tämä voi johtaa vakaviin onnettomuuksiin, koska se on erittäin vaarallista.
2. **Varmista, että työkappale on tukevasti paikoillaan.**
3. **Jotkin materiaalit sisältävät kemikaaleja, jotka voivat olla myrkyllisiä.** Vältä pölyn sisäänhengittämistä ja ihokosketusta. Noudata materiaalin toimittajan käyttöturvallisuustiedotetta.
4. **Säilytä laikkoja valmistajan suositusten mukaisesti.** Väärä säilytys voi vaurioittaa laikkoja.

## **SÄILYTÄ NÄMÄ OHJEET.**

**VAROITUS: ÄLÄ** anna työkalun helppokäyttöisyyden (toistuvan käytön aikaansaama) johtaa sinua väärään turvallisuuden tunteeseen niin, että laiminlyöt työkalun turvaohjeiden noudattamisen. **VÄÄRINKÄYTTÖ** tai tässä käyttöohjeessa ilmoitettujen turvämääräysten laiminlyönti voi aiheuttaa vakavia henkilövahinkoja.

## **Akkupakettia koskevia tärkeitä turvaohjeita**

1. **Ennen akun käyttöönottoa tutustu kaikkiin laturissa (1), akussa (2) ja akkukäyttöisessä tuotteessa (3) oleviin varoitusteksteihin.**
2. **Älä pura tai peukaloi imuria akkupakettia.** Se voi johtaa tulipaloon, ylikuumenemiseen tai räjähdykseen.
3. **Jos akun toiminta-aika lyhenee merkittävästi, lopeta akun käyttö.** Seurauksena voi olla ylikuumeneminen, palovammoja tai jopa räjähdys.
4. **Jos akunestettä pääsee silmiin, huuhtele puhtaalla vedellä ja hakeudu välittömästi lääkärin hoitoon.** Akkuneste voi aiheuttaa näön menetyksen.
5. **Älä oikosulje akkua.**
  - (1) **Älä koske akun napoihin millään sähköä johtavalla materiaallilla.**
  - (2) **Vältä akun oikosulkemista äläkä säilytä akkua yhdessä muiden metalliesineiden, kuten naulojen, kolikoiden ja niin edelleen kanssa.**
  - (3) **Älä aseta akkua alttiiksi vedelle tai sateelle.**

Oikosulku voi aiheuttaa virtapiikin, ylikuumentumista, palovammoja tai laitteen rikkoontumisen.

- Älä säilytä ja käytä työkalua ja akkupakettia paikassa, jossa lämpötila voi nousta 50 °C:een (122 °F) tai korkeammaksi.
- Älä hävitä akkua polttamalla, vaikka se olisi pahoin vaurioitunut tai täysin loppuun kulunut. Avotuli voi aiheuttaa akun räjähtämisen.
- Älä naulaa, leikkaa, purista, heitä tai pudota akkupakettia tai iske sitä kovia esineitä vasten. Tällaiset toimet voivat johtaa tulipaloon, ylikuumentumiseen tai räjähdykseen.
- Älä käytä viallista akkua.
- Sisältyviä litium-ioni-akkuja koskevat vaarallisten aineiden lainsäädännön vaatimukset. Esimerkiksi kolmansien osapuolten huolintaliikkeiden tulee kaupallisissa kuljetuksissa noudattaa pakkaamista ja merkintöjä koskevia erityisvaatimuksia. Lähetettävän tuotteen valmistelu edellyttää vaarallisten aineiden asiantuntijan neuvontaa. Huomioi myös mahdollisesti yksityiskohtaisemmat kansalliset määräykset. Akun avoimet liittimet tulee suojata teipillä tai suojuksella ja pakkaaminen tulee tehdä niin, ettei akku voi liikkua pakkauksessa.
- Kun akkupaketti on hävitettävä, poista se laitteesta ja hävitä se turvallisesti. Hävitä akku paikallisten määräysten mukaisesti.
- Käytä akkuja vain Makitan ilmoittamien tuotteiden kanssa. Akkujen asentaminen yhteensopimattomiin tuotteisiin voi aiheuttaa tulipalon, liiallisen ylikuumentumisen, räjähdyksen tai akkunestevuotoja.
- Jos laitetta ei käytetä pitkään aikaan, akku on poistettava laitteesta.
- Akkupaketin lämpötila voi käytön aikana ja sen jälkeen nousta niin kuumaksi, että se voi aiheuttaa palovammoja tai lieviä palovammoja. Käsittele kuumia akkupaketteja huolellisesti.
- Älä kosketa työkalun liittintä välittömästi käytön jälkeen, sillä se voi olla riittävän kuuma aiheuttamaan palovammoja.
- Älä päästä lastuja, pölyä tai maata akkupaketin liittimiin, aukkoihin ja uriin. Se voi johtaa työkalun tai akkupaketin lämpenemiseen, syyttymiseen, purkautumiseen tai toimintahäiriöön, mikä voi aiheuttaa palovammoja tai vammoja.
- Ellei työkalu tue käyttöä korkeajännitelinjojen lähellä, älä käytä akkupakettia korkeajännitelinjojen lähellä. Se voi johtaa työkalun tai akkupaketin toimintahäiriöön tai rikkoutumiseen.
- Pidä akku poissa lasten ulottuvilta.

## SÄILYÄ NÄMÄ OHJEET.

**HUOMIO:** Käytä vain alkuperäisiä Makita-akkuja. Muiden kuin aitojen Makita-akkujen, tai mahdollisesti muutettujen akkujen käyttö voi johtaa akun murtumiseen ja aiheuttaa tulipaloja, henkilö- ja omaisuusvahinkoja. Se mitätöi myös Makita-tökalun ja -laturin Makita-takuun.

## Vihjeitä akun käyttöön pidentämiseksi

- Lataa akku ennen kuin se purkautuu täysin. Lopeta aina työkalun käyttö ja lataa akku, jos huomaat työkalun tehon vähenevän.
- Älä koskaan lataa uudestaan täysin ladattua akkua. Ylilataaminen lyhentää akun käyttöikää.
- Lataa akku huoneen lämpötilassa välillä 10 °C - 40 °C. Anna kuuman akun jäähtyä ennen lataamista.
- Irrota akkupaketti työkalusta tai laturista, kun sitä ei käytetä.
- Lataa akkupaketti, jos et käytä sitä pitkään aikaan (yli kuusi kuukautta).

## TOIMINTOJEN KUVAUS

**HUOMIO:** Varmista aina ennen säätöjä ja tarkastuksia, että työkalu on sammutettu ja akkupaketti irrotettu.

## Akun asentaminen tai irrottaminen

**HUOMIO:** Sammuta työkalu aina ennen akun kiinnittämistä tai irrottamista.

**HUOMIO:** Pidä työkalusta ja akusta tiukasti kiinni, kun irrotat tai kiinnität akkua. Jos akkupaketti tai työkalu putoaa, ne voivat vaurioitua tai aiheuttaa tapaturman.

- Kuva1: 1. Punainen ilmaisin 2. Painike  
3. Akkupaketti

Irrota akku painamalla akun etupuolella olevaa painiketta ja vetämällä akku ulos työkalusta.

Akkupaketti asetetaan paikalleen sovitamalla akkupaketin kieleke rungon uraan ja työntämällä se sitten paikalleen. Työnnä se pohjaan asti niin, että kuulet sen napsahtavan paikoilleen. Jos näet kuvan mukaisen punaisen ilmaisimen, lukitus ei ole täysin pitävä.

**HUOMIO:** Työnnä akkupaketti aina pohjaan asti, niin että punainen ilmaisin ei enää näy. Jos akkupaketti ei ole kunnolla paikallaan, se voi pudota työkalusta ja aiheuttaa vammoja joko sinulle tai sivullisille.

**HUOMIO:** Älä käytä voimaa akun asennuksessa. Jos akku ei liu'u paikalleen helposti, se on väärässä asennossa.

## Akun jäljellä olevan varaustason ilmaisin

### Vain akkupaketeille ilmaisimella

► **Kuva2:** 1. Merkkivalot 2. Tarkistuspainike

Painamalla tarkistuspainiketta saat näkyviin akun jäljellä olevan varauksen. Merkkivalot palavat muutamia sekunnin ajan.

Merkkivalot			Akussa jäljellä olevan varaus
Palaa	Pois päältä	Viilkuu	
■	□	▬	
■ ■ ■ ■	■ ■ ■ ■	■ ■ ■ ■	75% - 100%
■ ■ ■ ■	■ ■ ■ ■	■ ■ ■ ■	50% - 75%
■ ■ ■ ■	■ ■ ■ ■	■ ■ ■ ■	25% - 50%
■ ■ ■ ■	■ ■ ■ ■	■ ■ ■ ■	0% - 25%
▬	□ □ □ □	□ □ □ □	Lataa akku.
■ ■ ■ ■	□ □ □ □	□ □ □ □	Akussa on saattanut olla toimintahäiriö.

**HUOMAA:** Ilmoitettu varaustaso voi erota hieman todellisesta varaustasosta sen mukaan, millaisissa oloissa ja missä lämpötilassa laitetta käytetään.

**HUOMAA:** Ensimmäinen (vasemmanpuoleisin) merkkivalo vilkkuu, kun akun suojausjärjestelmä on toiminnassa.

## Työkalun/akun suojausjärjestelmä

Työkalu on varustettu työkalu/akun suojausjärjestelmällä. Tämä järjestelmä pidentää työkalun ja akun käyttöikää katkaisemalla automaattisesti moottorin virran. Työkalu pysähtyy automaattisesti kesken käytön, jos työkalussa tai akussa ilmenee jokin seuraavista tilanteista: Joissakin tilanteissa merkkivalot syttyvät.

## Ylikuormitusuoja

Kun laitetta / akkua käytetään tavalla, joka saa sen kuluttamaan epätavallisen suuren määrän virtaa, laite pysähtyy automaattisesti ja työlamppu vilkkuu. Tässä tilanteessa sinun tulee sammuttaa työkalu ja lopettaa toiminta, joka aiheutti työkalun ylikuormittumisen. Käynnistä sitten työkalu uudelleen kytkemällä virta.

## Ylikuumenemissuoja

Työkalun/akun ylikuumentessa työkalu pysähtyy automaattisesti ja työlamppu alkaa vilkkua. Tässä tapauksessa anna työkalun jäähtyä, ennen kuin kytket sen uudelleen päälle.

## Ylipurkautumissuoja

Jos akkukapasiteetti käy vähiin, työkalu pysähtyy automaattisesti. Jos työkalu ei toimi, vaikka kytkintä käytetään, irrota akku työkalusta ja lataa se.

## Suojaus muilta haitallisilta tapahtumilta

Suojausjärjestelmä on suunniteltu suojaamaan työkalu myös muilta tapahtumilta, jotka voisivat vahingoittaa työkalua, ja pysäyttämään työkalu automaattisesti tällaisissa tapauksissa. Kun työkalu tai sen toiminta on pysähtynyt tilapäisesti tai se on pysähtynyt, poista pysäytyksen syy seuraavien vaiheiden mukaisesti.

1. Käynnistä työkalu uudelleen sammuttamalla se ja kytkemällä se sitten uudelleen päälle.
2. Lataa akut tai vaihda ne ladattuihin akkuihin.
3. Anna työkalun ja akkujen jäähtyä.

Jos suojausjärjestelmän nollaaminen ei korjaa tilannetta, ota yhteys paikalliseen Makita-huoltoon.

## Kytkimen käyttäminen

**VAROITUS: ÄLÄ koskaan käytä sahaa, jos se käynnistyy pelkästään liipaisinkytkintä painamalla ilman, että painaisit lukituksen vapautuspainiketta.** Jos kytkin on viallinen, laite saattaa käynnistyä vahingossa, mistä voi seurata vakava henkilövahinko. Toimita työkalu Makita-huoltoon korjattavaksi ENNEN kuin jatkat käyttöä.

**VAROITUS: ÄLÄ KOSKAAN ohita lukituksen vapautuspainiketta teippaamalla sitä kiinni tai muulla tavoin.** Jos kytkimen lukituksen vapautuspainike vapautetaan, laite saattaa käynnistyä vahingossa, mistä voi seurata vakava henkilövahinko.

**HUOMIO:** Tarkista aina ennen akkupaketin asettamista työkaluun, että liipaisinkytkin kytkeytyy oikein ja palaa "OFF"-asentoon, kun se vapautetaan.

**HUOMIO:** Älä paina liipaisinkytkintä voimakkaasti, ellei samalla paina lukituksen vapautuspainiketta. Tämä voi aiheuttaa kytkimen rikkoutumisen.

**HUOMIO:** Työkalu alkaa jarruttaa laikan pyörimistä heti, kun liipaisinkytkin vapautetaan. Pidä työkalusta tiukasti kiinni, jotta saat hallitua jarrutuksen aiheuttamaa reaktioliikettä, kun vapautat liipaisinkytkimen. Äkillinen reaktioliike voi aiheuttaa työkalun putoamisen kädestä ja johtaa henkilövahinkoihin.

Työkalussa on lukituksen vapautuspainike, joka estää liipaisinkytkimen painamisen vahingossa. Työkalu käynnistetään painamalla ja pitämällä lukituksen vapautuspainiketta ja vetämällä sitten liipaisinkytkintä. Pysäytä vapauttamalla liipaisinkytkin.

► **Kuva3:** 1. Liipaisinkytkin 2. Lukituksen vapautuspainike

## Laikan valitseminen

**HUOMIO:** Lisävarusteen määrätyn nopeuden täytyy olla ainakin samanvertainen laitteessa osoitetun enimmäisnopeuden kanssa. Sellaiset lisävarusteet, jotka toimivat nopeammin kuin määritetty nopeus, voivat rikkoutua ja sinkoutua erilleen.

**HUOMIO:** Laikkoja saa käyttää vain niille suositeltuun käyttötarkoitukseen.

Valitse sopivimman tyyppisistä leikkauslaikoista käyttö-  
tarkoituksen mukaan.

Laikan tyyppi	Käyttökohteet
Katkaisulaikka	Teräksen, ruostumattoman teräksen, metallien leikkaus
Volframikarbidikärjellä varustettu hiomalaikka	Muovien, kipsin, komposiittimateriaalien leikkaus
Timanttilaikka	Laattojen, keramiikan leikkaus

## Laikan pyörimissuunta

**⚠HUOMIO:** Tarkista aina pyörimissuunta ennen  
käyttöä.

**⚠HUOMIO:** Käytä pyörimissuunnan vaihtokyt-  
kintä vasta sen jälkeen, kun työkalu on lakannut  
kokonaan pyörimästä. Pyörimissuunnan äkillinen  
vaihto toiminnan aikana aiheuttaa turvavyistä nopean  
pysähtymisen.

Laikan pyörimissuunnaksi voidaan valita eteen- tai  
taaksepäin.

Pyöriminen eteenpäin valitaan työntämällä pyörimis-  
suunnan vaihtokytkintä vasemmalle, kunnes siinä  
näky kirjain "F".

Pyöriminen taaksepäin valitaan työntämällä pyörimis-  
suunnan vaihtokytkintä oikealle, kunnes siinä näkyy  
kirjain "R".

► **Kuva4:** 1. Pyörimissuunnan vaihtokytkin

Puru, lika, kipinät ja leikatut osat lentävät usein laikan  
pyörimissuunnan tangentin suuntaan. Käytä laikan  
suojausta tehokkaasti, jotta et ole jatkuvasti lentävien  
hiukkasten tiellä, sillä ne voivat singota katkaisun aihe-  
uttamaa pölyä ja hiukkasia toiseen suuntaan.

Reaktio pyörivän laikan nopeaan pysähtymiseen voi  
saada työkalun liikkumaan hallitsemattomasti pyörimis-  
suuntaa vastakkaiseen suuntaan.

### Eteenpäin pyöriminen

► **Kuva5:** 1. Katkaistut hiukkaset 2. Reaktiot

### Taaksepäin pyöriminen

► **Kuva6:** 1. Katkaistut hiukkaset 2. Reaktiot

## Laikan suojus

**⚠HUOMIO:** Varmista ennen käyttöä, että laikan  
suojaus on oikein ja lujasti paikallaan katkaisulai-  
kan takana.

Kiinnität laikan suojus työskentelyolosuhteiden ja mieltymys-  
tusten kannalta mukavaan asentoon, jotta saavutetaan  
suurin turvallisuus ja pienin mahdollisille vaaratekijöille  
altistuminen.

### Asento eteenpäin

► **Kuva7:** 1. Laikan suojus 2. Katkaisulaikka

### Asento taaksepäin

► **Kuva8:** 1. Laikan suojus 2. Katkaisulaikka

## Akselilukko

Kun kiinnität tai irrotat katkaisulaikkaa, estä karaa pyöri-  
mästä painamalla akselilukkoa.

► **Kuva9:** 1. Akselilukko

**HUOMAUTUS:** Älä koskaan kytke lukkoa päälle  
ni pyöriessä. Työkalu voi rikkoutua.

## Työlamppu

**⚠HUOMIO:** Älä katso suoraan lamppuun tai  
valonlähteeseen.

Työlampun voi kytkeä päälle pitämällä lukituk-  
sen vapautuspainiketta painettuna ja painamalla  
liipaisinkytkintä.

Lamppu sammuu noin 15 sekunnin kuluttua liipaisinkyt-  
kimen vapauttamisesta.

► **Kuva10:** 1. Työlamppu

**HUOMAUTUS:** Jos työkalua käytetään äärim-  
mäisellä kuormituksella, työlamppu vilkkuu.  
Tässä tilanteessa sinun tulee vapauttaa liipaisin-  
kytkin ja pienentää kuormitusta ennen kuin jatkat  
työtä.

**HUOMAUTUS:** Kun työkalu on ylikuumentunut,  
merkkivalo vilkkuu. Tässä tapauksessa sinun  
tulee vapauttaa liipaisinkytkin ja antaa työkalun/  
akun jäähtyä ennen kuin jatkat työtä.

**HUOMAA:** Pyyhi lika pois linssistä kuivalla liinalla.  
Varo naarmuttamasta linssiä, ettei valoteho laske.

## Leikkaussyvyyden säätäminen

**⚠HUOMIO:** Kiristä siipiruuvi lujasti aina leik-  
kaussyvyyden säätämisen jälkeen.

Kun pölynkeräyssuojus on asennettu, leikkaussyvyyttä  
voi hienosäätää enintään 13,5 mm.

Löysää syvyydsasteikon siipiruuvia. Nosta tai laske työ-  
kalun kahva sellaiseen asentoon, että katkaisusyvyys-  
merkit ovat asteikolla halutulla leikkaussyvyydellä.  
Kiristä sitten siipiruuvi.

► **Kuva11:** 1. Siipiruuvi 2. Syvyydsasteikko  
3. Syvyydsmerkki

**⚠HUOMIO:** Jäljestä tulee siisti ja turvallinen, kun  
leikkaussyvyys asetetaan niin, että katkaisulaikka  
ohittaa työkalupäleen alapinnan 2,0 mm tai vähem-  
män. Oikean leikkaussyvyyden asettaminen vähentää  
henkilövahinkoja aiheuttavien mahdollisten vaarallisen  
takapotkujen vaaraa.

## Suoraan leikkaukseen pyrkiminen

Kun pölynkeräyssuojus on asennettu, suora leik-  
kaus voidaan tehdä turvallisesti kohdistamalla  
katkaisulaikka leikkaussuuntaan ennen varsinaista  
leikkausoperaatiota.

Kohdista pölynkeräyssuojuksen ohjainloven sisäreuna  
työkappaleen aiotulle leikkuulinjalle.

► **Kuva12:** 1. Ohjaukolo 2. Alusta 3. Leikkuulinja



## Pölynimurin kytkeminen

### Vallinnainen lisävaruste

Jos haluat suorittaa siistin sahaustyön, liitä Makita-pölynimuri pölynkeräyssuojukseen pölysuuttimeen sovittinkappaleilla 22 (lisävaruste).

- **Kuva13:** 1. Etusovittinkappaleet 22 2. Pölysuutin 3. Letku 4. Pölynimuri

## Vahinkokäynnistyksen estotoiminto

Kun asennat akkupaketiin ja painat samalla liipaisinkytkintä, työkalu ei käynnisty.

Käynnistä laite vapauttamalla liipaisinkytkin ensin. Paina ja pidä lukituksen vapautuspainiketta ja vedä sitten liipaisinkytkintä.

## Sähköinen toiminta

Laite on varustettu sähköisillä toiminnoilla helppokäyttöisyyttä ajatellen.

- **Sähköjarru**  
Tämä työkalu on varustettu sähköjarrulla. Jos työkalu ei toistuvasti pysähdy nopeasti liipaisinkytkimen vapautuksen jälkeen, huollata työkalu Makitan huoltopalvelussa.
- **Vakionopeuden säätö**  
Vakionopeuden säätö mahdollistaa vakiopyörimisnopeuden kuormitusolosuhteista riippumatta.
- **Aktiivinen jälkipotkun tunnistustekniikka**  
Työkalu tunnistaa sähköisesti tilanteet, joissa laikka tai lisälaite voi olla vaarassa juuttua. Silloin työkalu sammuu automaattisesti ja estää akselin pyörimisen (se ei estä takapotkua).  
Voit käynnistää työkalun uudelleen sammuttamalla sen ensin, poistamalla syyn äkilliseen pyörimisnopeuden laskuun ja käynnistämällä työkalun.

## KOKOONPANO

**▲HUOMIO:** Varmista aina ennen mitään työkalulle tehtäviä toimenpiteitä, että se on sammutettu ja akku irrotettu.

## Kuusioavaimen varastointi

Säilytä kuusioavainta kuvan osoittamassa paikassa sen katoamisen välttämiseksi.

- **Kuva14:** 1. Kuusioavain

## Katkaisulaikan irrottaminen ja kiinnittäminen

**▲HUOMIO:** Käytä vain mukana toimitettua Makitan kiintoavainta katkaisulaikan irrottamiseen ja asentamiseen.

**▲HUOMIO:** Kun asennat katkaisulaikan, varmista, että olet kiristänyt pultin pitävästi.

**HUOMAUTUS:** Kun asennat timanttilaikan parhaan suorituskyvyn mahdollistavaan asentoon, varmista aina, että timanttilaikan nuolet osoittavat samaan suuntaan kuin haluttu laikan pyörimissuunta.

Katkaisulaikka irrotetaan painamalla karalukitusta täysin niin, ettei katkaisulaikka pääse pyörimään, ja löysäämällä sitten kuusioruuvia kiertämällä kuusioavaimella vastapäivään. Irrota sitten kuusioputti, ulkolaippa ja katkaisulaikka.

- **Kuva15:** 1. Akselilukko 2. Kuusioavain 3. Kuusioputti 4. Löysää 5. Kiristä

**HUOMAUTUS:** Jos sisälaippa on irrotettu, aseta se takaisin karaan siten, että sen laikkakiinnike-osa osoittaa ylöspäin.

Katkaisulaikka asennetaan päinvastaisessa järjestyksessä kuin se irrotetaan.

- **Kuva16:** 1. Kuusioputti 2. Ulkolaippa 3. Katkaisulaikka 4. Sisälaippa 5. Kara

## Pölynkeräyssuojuksen kiinnitys ja irrotus

**▲HUOMIO:** Varmista ennen käyttöä, että laikan suojus on turvallisesti lukittu pölynkeräyssuojuksen sisäpuolella olevalla pidäkkeellä.

**▲HUOMIO:** Vältä käyttämästä pölynkeräyssuojasta metallityöstössä, jossa syntyy kuumuutta ja lentäviä kipinöitä, koska ne voivat sulattaa suojuksen muoviosia.

Pölynkeräyssuojus lisää katkaisun turvallisuutta ja tehokkuutta, suojaa pyörivää laikkaa, parantaa katkaisun vakautta ja lisää leikkaussyvyyden säätämisen tarkkuutta varsinkin, kun on kyseessä laatan, kipsin tai kiven leikkaaminen.

## Pölynkeräyssuojuksen kiinnitys

1. Löysennä pölynkeräyssuojuksen syvyysasteikon siipiruuvia. Nosta suojus kokonaan ylös ja kiristä sitten siipiruuvi, jotta pölynkeräyssuojus pysyy varmasti ylhäällä.

- **Kuva17:** 1. Siipiruuvi 2. Syvyysasteikko 3. Pölynkeräyssuojus

2. Aseta laikan suojus työkalussa eteenpäin.

- **Kuva18:** 1. Laikan suojus

3. Nosta työkalun kahvaa hieman ja aseta laikan suojuksen etupuolisko kulmassa pölynkeräyssuojukseen niin, että hiomalaikan alaosa menee pohjan laikka-aukosta.

- **Kuva19:** 1. Laikan suojus 2. Pölynkeräyssuojus 3. Katkaisulaikka 4. Laikka-aukko

4. Asenna laikan suojuksen takapuolisko pölynkeräyssuojukseen samalla, kun lasket työkalun kahvan ylhäältä alas.

- **Kuva20:** 1. Laikan suojus 2. Pölynkeräyssuojus

5. Nosta työkalun kahvaa uudelleen, jotta laikan suojuksen takareuna tulee pölynkeräyssuojuksen sisällä olevan pidäkkeen yläpuolelle.

- **Kuva21:** 1. Laikan suojus 2. Pidäke

6. Löysää siipiruuvia. Siirrä työkalu ylös ja alas halutulle leikkaussyvyydelle. Kiinnitä työkalu paikalleen kiristämällä siipiruuvia.

## Pölynkeräyssuojuksen irrotus

1. Löysennä pölynkeräyssuojuksen syyvyysasteikon siipiruuvia. Nosta työkalun kahva kokonaan ylös ja kiristä sitten siipiruuvi, jotta pölynkeräyssuojus pysyy varmasti ylhäällä.  
► **Kuva22:** 1. Siipiruuvi 2. Syyvyysasteikko 3. Pölynkeräyssuojus
2. Työnnä vapautusvipua siipiruuvia kohti, jotta laikan suojuus vapautuu pölynkeräyssuojuksen sisällä olevasta pidäkkeestä.  
► **Kuva23:** 1. Vapautusvipu 2. Siipiruuvi 3. Laikan suojuus 4. Pölynkeräyssuojus 5. Pidäke
3. Irrota laikan suojuksen takapuolisko pölynkeräyssuojuksesta samalla, kun lasket työkalun kahvan ylhäältä alas.  
► **Kuva24:** 1. Laikan suojuus 2. Pölynkeräyssuojus
4. Vedä laikansuojuksen etupuolisko irti pölynkeräyssuojuksesta vähän ylöspäin ja ulospäin suuntautuvassa kulmassa.  
► **Kuva25:** 1. Laikan suojuus 2. Pölynkeräyssuojus

## TYÖSKENTELY

**▲HUOMIO:** Purista työkalua lujasti työskentelyn aikana.

**▲HUOMIO:** Älä käytä tarpeetonta voimaa. Pakottaminen ja kohdistaminen liiallisen paineen tai joka aiheuttaa laikan taipumista, leikkaan puristaminen tai kiertäminen voi aiheuttaa moottorin ylikuumentumista ja työkalun vaarallisen takaiskun.

**▲HUOMIO:** Kun leikkaat muovia, varo ylikuumentamasta hiomalaikkaa. Se voi johtaa työkalun sulamiseen.

**▲HUOMIO:** Älä lyö tai kolhi hiomalaikkaa työskentelyn alussa tai aikana.

**▲HUOMIO:** Käytä aina suojalaseja tai kasvosuojusta työskentelyn aikana.

**▲HUOMIO:** Käytön jälkeen katkaise koneesta aina virta ja odota, kunnes laikka on täysin pysähtynyt, ennen kuin lasket koneen käsistä.

## Leikkausohjeita

**HUOMAUTUS:** Toimi varoen käyttäessäsi laikan tehokasta katkaisupintaa, jotta leikkaushiukkaset eivät osu itseesi.

**HUOMAUTUS:** Pidä hiomalaikka kohtisuorassa työkalupäätä kohti ja vältä kallistamista tai keinuttamista työkalua työskentelyn aikana.

Aseta laikan suojuus oikein, jotta se suojaa mahdollisimman tehokkaasti katkaisulaikasta lentäviltä kipinoilta ja irrallisilta hiukkasilta. Aseta työkalu työkalupäälle päälle ilman, että katkaisulaikka koskettaa sitä. Käynnistä työkalu ja odota, että katkaisulaikka saavuttaa täyden pyörimisnopeuden. Laske sitten työkalu hitaasti työkalupäälle käyttötarkoitukseen sopivalla syöttönopeudella.

**Eteenpäin pyöriminen**

► Kuva26

**Taaksepäin pyöriminen**

► Kuva27

## Suora leikkaus

**▲HUOMIO:** Varmista, että katkaisulaikka toimii aina ylöspäin suuntautuvassa liikkeessä. Muuten työkalu voi ponnahtaa hallitsemattomasti leikkausurasta.

**HUOMAUTUS:** Pidä leikkausura suorana ja käytä tasaisesti painetta, jotta katkaisusta tulee tasainen koko työkalupäällä.

Aseta pölynkeräyssuojuksen pohjalevy leikattavan työkalupäälle päälle ilman, että katkaisulaikka koskettaa sitä. Käynnistä työkalu ja odota, että katkaisulaikka saavuttaa täyden pyörimisnopeuden. Laske sitten työkalu hitaasti työkalupäälle pinnalle ja etene suoraan ja tasaisesti, kunnes katkaisu on tehty. Valitse työntökatkaisuun pyörimissuunta taaksepäin tai vetokatkaisuun pyörimissuunta eteenpäin.

**Työntökatkaisu pyörimissuunnassa taaksepäin**

► Kuva28

**Vetokatkaisu pyörimissuunnassa eteenpäin**

► Kuva29

**HUOMAA:** Huomaa, että pölynkeräyssuojus toimii ehkä vähemmän tehokkaasti vetokatkaisussa, koska osa leikkaushiukkasista leviää suojuksen sisäpuolelle vasten pölynpoistovirtaa.

## KUNNOSSAPITO

**▲HUOMIO:** Varmista aina ennen tarkastusta tai huoltoa, että työkalu on sammutettu ja akku irrotettu.

**HUOMAUTUS:** Älä koskaan käytä bensiiniä, ohenteita, alkoholia tai tms. aineita. Muutoin pinta voi halkeilla tai sen värit ja muoto voivat muuttua. Muutoin laitteeseen voi tulla värjäytymiä, muodon vääristymiä tai halkeamia.

Tuotteen TURVALLISUUDEN ja LUOTETTAVUUDEN takaamiseksi korjaukset, muut huoltotyöt ja säädöt on teetettävä Makitan valtuutetussa huoltopisteessä Makitan varaosia käyttäen.

## Timanttilaikan suoristaminen

Jos timanttilaikan leikkausvoiminta alkaa heikentyä, käytä poisheitettyä karkeapintaista hiomakoneen pyörää tai betoniloikkaa timanttilaikan suoristamiseen. Tee tämä lukitsemalla hiomakoneen laikka tai betoniloikka luotettavasti ja leikkaamalla siihen.

## Käytön jälkeen

Poista pöly työkalun sisältä antamalla työkalun käydä kuormittamattomana vähän aikaa. Pölyn kerääntyminen moottoriin voi aiheuttaa työkalun toimintahäiriöitä.

## Laikan suojuksen ja pölynkeräyssuojuksen puhdistaminen

Puhdista laikan suojuksen ja pölynkeräyssuojuksen sisäpuoli säännöllisesti. Puhalla tai pyyhi niihin kertynyt lika tai pöly.

► **Kuva30:** 1. Laikan suojus 2. Pölynkeräyssuojus

## Ilma-aukkojen puhdistaminen

Puhdista työkalun ilma-aukot säännöllisesti, jotta ilma pääsee kiertämään esteettä. Irrota pölynkeräyssuojus ilman tuloaukosta ja puhdista se, jos se on likainen ja tukossa.

► **Kuva31:** 1. Pölysuojus 2. Ilman tuloaukko

## LISÄVARUSTEET

**⚠HUOMIO:** Seuraavia lisävarusteita tai laitteita suositellaan käytettäväksi tässä ohjeessa kuvatun Makita-työkalun kanssa. Muiden lisävarusteiden tai laitteiden käyttö voi aiheuttaa henkilövahinkoja. Käytä lisävarusteita ja -laitteita vain niiden käyttötarkoituksen mukaisesti.

Jos tarvitset apua tai yksityiskohtaisempia tietoja seuraavista lisävarusteista, ota yhteys paikalliseen Makitan huoltoon.

- Katkaisulaikka
- Timanttilaikka
- Volframi-karbidikärjellä varustettu hiomalaikka
- Kuusioavain
- Aito Makitan akku ja laturi

**HUOMAA:** Jotkin luettelossa mainitut varusteet voivat sisältyä työkalun toimitukseen vakiovarusteina. Ne voivat vaihdella maittain.

## SPECIFIKATIONER

<b>Model:</b>		<b>DMC300</b>
Skiven udvendige diameter		76 mm
Skivens indvendige (aksel) diameter		10,0 mm/9,5 mm (3/8") (landespecifik)
Maks. skivetykkelse		1,0 mm
Maks. skærekapacitet	Med støvopsamlingsdæksel	13,5 mm
	Uden støvopsamlingsdæksel	16,0 mm
Mærkehastighed (n) / Hastighed uden belastning (n <sub>0</sub> )		20.000 min <sup>-1</sup>
Længde i alt		271 mm *1
Mærkespænding		D.C. 18 V
Nettovægt		1,2 - 1,7 kg

\*1. Med akku (BL1860B)/uden støvopsamlingsdæksel

- På grund af vores kontinuerlige forsknings- og udviklingsprogrammer kan hosstående specifikationer blive ændret uden varsel.
- Specifikationer og akku kan variere fra land til land.
- Vægten kan være anderledes afhængigt af tilbehøret, inklusive akkuen. Den letteste og tungeste kombination i henhold til EPTA-procedure 01/2014 er vist i tabellen.

## Anvendelig akku og oplader

Akku	BL1815N / BL1820B / BL1830B / BL1840B / BL1850B / BL1860B
Oplader	DC18RC / DC18RD / DC18RE / DC18SD / DC18SE / DC18SF / DC18SH / DC18WC

- Nogle af de akkuer og opladere, der er angivet ovenfor, er muligvis ikke tilgængelige, afhængigt af hvilket område du bor i.

**⚠ ADVARSEL: Brug kun de akkuer og opladere, der er angivet ovenfor. Brug af andre akkuer og opladere kan medføre personskaade og/eller brand.**

## Tilsligtet anvendelse

Maskinen er beregnet til skæring af plader, fittings, rør, fliser eller væg i metal, plast, keramik, gips og lignende kompositmaterialer uden brug af vand.

## Støj

Det typiske A-vægtede støjniveau bestemt i overensstemmelse med EN60745-2-22:

Lydtryksniveau (L<sub>pA</sub>) : 88 dB (A)

Lydeffektniveau (L<sub>WA</sub>) : 99 dB (A)

Usikkerhed (K): 3 dB (A)

**BEMÆRK:** De(n) angivne støjemissionsværdi(er) er målt i overensstemmelse med en standardtestmetode og kan anvendes til at sammenligne en maskine med en anden.

**BEMÆRK:** De(n) angivne støjemissionsværdi(er) kan også anvendes i en præliminær eksponeringsvurdering.

**⚠ ADVARSEL: Bær høreværn.**

**⚠ ADVARSEL: Støjemissionen under den faktiske anvendelse af maskinen kan være forskellig fra de(n) angivne værdi(er), afhængigt af den måde hvorpå maskinen anvendes, især den type arbejdsømne der behandles.**

**⚠ ADVARSEL: Sørg for at identificere de sikkerhedsforskrifter til beskyttelse af operatøren, som er baseret på en vurdering af eksponering under de faktiske brugsforhold (med hensyntagen til alle dele i brugscyklussen, f.eks. de gange, hvor maskinen er slukket, og når den kører i tomgang i tilgift til afbrydertiden).**

## Vibration

Vibrationens totalværdi (tre-aksial vektorsum) bestemt i overensstemmelse med EN60745-2-22:

Arbejdstilstand: betonskæring (tykkelse 5 mm)

Vibrationsemmission (a<sub>h</sub>): 3,0 m/s<sup>2</sup>

Usikkerhed (K): 1,5 m/s<sup>2</sup>

**BEMÆRK:** De(n) angivne totalværdi(er) for vibration er målt i overensstemmelse med en standardtestmetode og kan anvendes til at sammenligne en maskine med en anden.

**BEMÆRK:** De(n) angivne totalværdi(er) for vibration kan også anvendes i en preliminær eksponeringsvurdering.

**⚠ ADVARSEL:** Vibrationsemissionen under den faktiske anvendelse af maskinen kan være forskellig fra de(n) angivne værdi(er), afhængigt af den måde hvorpå maskinen anvendes, især den type arbejdsemne der behandles.

**⚠ ADVARSEL:** Sørg for at identificere de sikkerhedsforskrifter til beskyttelse af operatøren, som er baseret på en vurdering af eksponering under de faktiske brugsforhold (med hensyntagen til alle dele i brugscyklussen, f.eks. de gange, hvor maskinen er slukket, og når den kører i tomgang i tilgift til afbrydertiden).

## EF-overensstemmelseserklæring

### Kun for lande i Europa

EF-overensstemmelseserklæringen er inkluderet som Bilag A i denne brugsanvisning.

## SIKKERHEDSADVARSLER

### Almindelige sikkerhedsregler for el-værktøj

**⚠ ADVARSEL:** Læs alle de sikkerhedsadvarsler, instruktioner, illustrationer og specifikationer, der følger med denne maskine. Forsømmelse af at overholde alle nedenstående instruktioner kan medføre elektrisk stød, brand og/eller alvorlig personskade.

### Gem alle advarsler og instruktioner til fremtidig reference.

Ordet "el-værktøj" i advarslerne henviser til det netforsyede (netledning) el-værktøj eller batteriforsyede (akku) el-værktøj.

### Sikkerhedsadvarsler om kompakt afskæring

1. Den beskyttelsesskærm, der følger med maskinen, skal monteres forsvarligt på maskinen og placeres, så maksimal sikkerhed opnås, således at operatøren er udsat for den mindst mulige del af skiven. De selv og omkringstående må ikke stå i den roterende skives plan. Beskyttelsesskærmen bidrager til at beskytte operatøren mod afbrækkede skivefragmenter og utilsigtet kontakt med skiven.
2. Brug kun limede, forstærkede eller diamantafskæringsskiver til el-værktøjet. Bare fordi der kan tilsluttes et tilbehør til el-værktøjet, kan sikker betjening ikke garanteres.

3. Tilbehørets mærkehastighed skal mindst være den samme som den maksimale hastighed, som er angivet på maskinen. Tilbehørsdele, som kører hurtigere end deres mærkehastighed, kan brække og slynges bort.
4. Skiver må kun anvendes til de anbefalede formål. For eksempel: Undlad at slibe med siden af afskæringsskiven. Slibeafsæringsskiver er beregnet til perifer slibning, og hvis disse skiver udsættes for sidetryk, kan de gå i stykker.
5. Anvend altid ubeskadigede skiveflanger, som har den rigtige diameter, til den valgte skive. Korrekte skiveflanger understøtter skiven, hvilket reducerer risikoen for, at skiven brækker.
6. Undlad at bruge nedslidte forstærkede skiver fra større el-værktøj. Skiver, der er beregnet til et større el-værktøj, er ikke egnet til et mindre værktøjs højere hastighed og kan brække.
7. Den udvendige diameter og tykkelsen på Deres tilbehør skal være inden for maskinens kapacitetsnormering. Tilbehør af forkert størrelse kan ikke beskyttes eller kontrolleres på tilstrækkelig vis.
8. Skivernes og flangerens dornstørrelse skal passe nøjagtigt til maskinens spindel. Skiver og flanger med dornhuller, som ikke passer til maskinens monteringsdele, vil køre ubalanceret, vibrere kraftigt og kan bevirke, at De mister herredømmet over maskinen.
9. Anvend ikke beskadigede skiver. Inden hver brug skal De efterse skiverne for hakker og revner. Hvis maskinen eller skiven har været tabt, skal de efterses for beskadigelse, eller der skal monteres en ubeskadiget skive. Når skiven er eftersat og monteret, skal De og eventuelle omkringstående stille Dem uden for den roterende skives plan og derefter lade maskinen køre ved maksimal hastighed uden belastning i et minut. Beskadigede skiver vil normalt brække i løbet af denne testperiode.
10. Bær personligt beskyttelsesudstyr. Bær altid høreværn. Afhængigt af anvendelsen skal du bruge ansigtsskærm, sikkerhedsbriller eller beskyttelsesbriller. Bær eventuelt støvmaske, handsker og forklæde, der kan stoppe små fragmenter fra slibeskiven eller arbejdsemnet. Øjenbeskyttelsen skal kunne stoppe flyvende nedbrudt materiale, der frembringes ved forskellige handlinger. Støvmasken eller åndedrætsværnet skal kunne filtrere de partikler, der frembringes i forbindelse med handlingerne. Langvarig eksponering for støj med høj intensitet kan medføre høretab.
11. Sørg for at holde omkringstående på en sikker afstand af arbejdsområdet. Enhver person, som befinder sig i arbejdsområdet, skal bære personligt beskyttelsesudstyr. Fragmenter fra arbejdsemnet eller fra en brækket skive kan slynges af og forårsage personskade uden for det umiddelbare arbejdsområde.
12. Hold udelukkende maskinen i de isolerede grebflader, når der udføres et arbejde, hvor det skærende tilbehør kan komme i kontakt med skulere ledninger. Skæretilbehør, som kommer i kontakt med en strømførende ledning, kan gøre blottede metaldele på maskinen strømførende og udgøre en risiko for, at operatøren får elektrisk stød.

13. **Læg ikke maskinen fra Dem, før tilbehøret er helt stoppet.** Den roterende skive kan gribe fat i overfladen og trække maskinen ud af Deres herredømme.
14. **Lad ikke maskinen køre, mens De bærer den ved siden.** Utilsigtet kontakt med det roterende tilbehør kan bevirke, at det griber fat i Deres tøj og trækker tilbehøret ind mod Deres krop.
15. **Rengør maskinens ventilationsåbninger med jævne mellemrum.** Motorens ventilator vil suge støv ind i huset, og en stor mængde akkumuleret metalstøv kan forårsage elektrisk fare.
16. **Anvend ikke maskinen i nærheden af brændbare materialer.** Gnister kan antænde disse materialer.
6. **Vær påpasselig med ikke at "klemme" skiven eller udsætte den for et ekstremt tryk. Forsøg ikke at udføre en for dyb skæring.** Overbelastning af skiven øger belastningen og sandsynligheden for, at skiven vrækker eller binder i snittet, samt risiko for tilbageslag, eller at skiven brækker.
7. **Hvis skiven binder, eller hvis en skæring af en eller anden grund afbrydes, skal De slukke for værktøjet og holde det stille, indtil det er stoppet helt. Forsøg aldrig at fjerne skiven fra snittet, mens skiven er i bevægelse, da dette kan medføre tilbageslag.** Tag bestik af situationen, og foretag det nødvendige for at eliminere årsagen til, at skiven binder.

#### Tilbageslag og relaterede advarsler

Tilbageslag er en pludselig reaktion på en fastklemt eller blokeret roterende skive. Fastklemning eller blokering medfører, at den roterende skive pludseligt stopper, hvilket igen bevirker, at det ukontrollerede værktøj tvinges i den modsatte retning af skivens rotation på det punkt, hvor den sidder fast.

Hvis for eksempel en slibeskive er blokeret eller fastklemt af arbejdsemnet, kan kanten på skiven, som går ind i fastklemningspunktet, grave sig ind i materialets overflade og derved bevirke, at skiven kommer ud eller presses ud. Skiven kan enten slynges mod eller bort fra operatøren, afhængigt af retningen af skivens bevægelse på fastklemningspunktet. Slibeskiver kan også brække under disse forhold.

Tilbageslag er et resultat af misbrug og/eller fejlagtig brug af værktøjet eller ukorrekte brugsforhold og kan undgås ved, at man tager de rigtige forholdsregler som anvist herunder.

1. **Hold godt fast i værktøjet, og indtag en stilling med kroppen og armen, således at De kan modstå tilbageslagskraften. Anvend altid hjælpehåndtaget, hvis et sådant forefindes, til at opnå den maksimale kontrol med tilbageslag eller torsionsreaktion under starten.** Operatøren kan kontrollere torsionsreaktionen og tilbageslagskraften, hvis de rette forholdsregler tages.
2. **Anbring ikke hånden i nærheden af det roterende tilbehør.** Tilbehøret kan slå tilbage hen over hånden.
3. **Stil Dem ikke på linje med den roterende skive.** Et tilbageslag vil slynge værktøjet i den modsatte retning af skivens bevægelse ved blokeringspunktet.
4. **Vær særligt forsigtig ved arbejde på hjørner, skarpe kanter osv. Sørg for, at tilbehøret ikke hopper eller sætter sig fast.** Hjørner, skarpe kanter eller hoppen har en tendens til at fastklemme det roterende tilbehør med tab af kontrol eller tilbageslag til følge.
5. **Lad være med at montere en savkæde, en træskæreklinge, en segmenteret diamantskive med et periferet mellemrum på mere end 10 mm eller en savklinge med tænder.** Sådanne klinger er ofte årsag til tilbageslag og tab af herredømmet.

8. **Påbegynd ikke skæreoperationen igen i arbejdsemnet. Lad skiven komme op på fuld hastighed, og gå derefter forsigtigt ind i snittet igen.** Skiven kan binde, bevæge sig opad eller slå tilbage, hvis værktøjet startes igen, mens det befinder sig i arbejdsemnet.
9. **Understøt paneler eller store arbejdsemner for at minimere risikoen for, at skiven binder, og der opstår tilbageslag.** Store arbejdsemner har tendens til at synke under deres egen vægt. Støtteanordninger skal anbringes under arbejdsemnet i nærheden af snittet og nær kanten på arbejdsemnet på begge sider af skiven.
10. **Udvis ekstra forsigtighed, når der laves et "lommensnit" i eksisterende vægge eller i andre blinde områder.** Den udragende skive kan komme til at skære i gas- eller vandrør, elektriske ledninger eller genstande, som kan forårsage tilbageslag.
11. **Inden anvendelse af en segmenteret diamantskive skal De sørge for, at diamantskiven har et periferet mellemrum mellem segmenterne på 10 mm eller derunder, kun med en negativ rivevinkel.**

#### Supplerende sikkerhedsadvarsler:

1. **Forsøg aldrig at skære med maskinen holdt på hovedet i en skruestik.** Dette kan medføre alvorlige ulykker, da det er yderst farligt.
2. **Kontroller, at arbejdsemnet understøttes korrekt.**
3. **Nogle materialer indeholder kemikalier, som kan være giftige. Vær påpasselig med at forhindre indånding af støv samt hudkontakt. Følg materialeleverandørens sikkerhedsdata.**
4. **Opbevar skiverne i henhold til fabrikantens anbefalinger.** Fejlagtig opbevaring kan beskadige skiverne.

## GEM DISSE FORSKRIFTER.

**⚠ ADVARSEL:** LAD IKKE bekvemmelighed eller kendskab til produktet (opnået gennem gentagen brug) forhindre, at sikkerhedsforskrifterne for produktet nøje overholdes. MISBRUG eller forsømmelse af at følge de i denne brugsvejledning givne sikkerhedsforskrifter kan medføre alvorlig personskade.

## Vigtige sikkerhedsinstruktioner for akkuen

1. Læs alle instruktioner og advarselmærkater på (1) akku-opladeren, (2) akkuen og (3) produktet, som anvender akku.
2. Adskil eller ændr ikke akkuen. Det kan muligvis resultere i en brand, overdreven varme eller eksplosion.
3. Hold straks op med anvendelsen, hvis brugstiden er blevet stærkt afkortet. Fortsat anvendelse kan resultere i risiko for overophedning, forbrændinger og endog eksplosion.
4. Hvis De har fået elektrolytvæske i øjnene, skal De straks skylle den ud med rent vand og derefter øjeblikkeligt søge lægehjælp. I modsat fald kan De miste synet.
5. Vær påpasselig med ikke at komme til at kortslutte akkuen:
  - (1) Rør ikke ved terminalerne med noget ledende materiale.
  - (2) Undgå at opbevare akkuen i en beholder sammen med andre genstande af metal, for eksempel søm, mønter og lignende.
  - (3) Udsæt ikke akkuen for vand eller regn. Kortslutning af akkuen kan forårsage en kraftig øgning af strømmen, overophedning, mulige forbrændinger og endog værktøjstop.
6. Opbevar og brug ikke maskinen og akkuen på steder, hvor temperaturen muligvis kan nå eller overstige 50 °C.
7. Lad være med at brænde akkuen, selv ikke i tilfælde, hvor den har lidt alvorlig skade eller er fuldstændig udtjent. Akkuen kan eksplodere, hvis man forsøger at brænde den.
8. Slå ikke søm i, skær ikke i, knus, kast, tab ikke akkuen og stød ikke akkuen mod en hård genstand. Sådan adfærd kan muligvis resultere i en brand, overdreven varme eller eksplosion.
9. Anvend ikke en beskadiget akku.
10. De indbyggede litium-ion-batterier er underlagt lovkrav vedrørende farligt gods. Ved kommerciel transport, f.eks. af tredjeparts transportselskaber, skal særlige krav til forpakning og mærkning overholdes. Ved forberedelse af udstyret til forsendelse skal du kontakte en ekspert i farligt gods. Overhold også eventuel mere detaljeret national lovgivning. Tape eller tildæk åbne kontakter, og pak batteriet på en måde, så det ikke kan flytte sig rundt i pakningen.
11. Når akkuen bortskaffes, skal du fjerne den fra maskinen og bortskaffe den på et sikkert sted. Følg de lokale love vedrørende bortskaffelsen af batterier.
12. Brug kun batterierne med de produkter, som Makita specificerer. Hvis batterierne installeres i ikke-kompatible produkter, kan det medføre brand, kraftig varme, eksplosion eller udsivning af elektrolyt.
13. Hvis maskinen ikke skal bruges i længere tid ad gangen, skal du fjerne batteriet fra maskinen.
14. Akkuen kan muligvis under og efter brug være varm, hvilket kan forårsage forbrændinger eller lavtemperaturforbrændinger. Vær påpasselig med håndtering af varme akkuer.
15. Rør ikke terminalen på maskinen straks efter brug, da den bliver varm nok til at forårsage forbrændinger.
16. Sørg for, at spåner, støv eller jord ikke sætter sig fast i akkuens terminaler, huller og riller. Det kan forårsage opvarmning, antændelse, sprængning og funktionsfejl i maskinen eller akkuen, hvilket kan medføre forbrændinger eller personskade.
17. Medmindre maskinen understøtter brugen i nærheden af elektriske højspændingsledninger, skal du ikke anvende akkuen i nærheden af elektriske højspændingsledninger. Det kan muligvis medføre funktionsfejl på eller nedbrud af maskinen eller akkuen.
18. Opbevar batteriet utilgængeligt for børn.

## GEM DENNE BRUGSANVISNING.

**⚠FORSIGTIG:** Brug kun originale batterier fra Makita. Brug af uoriginale Makita-batterier, eller batterier som er blevet ændret, kan muligvis medføre brud på batteriet, hvilket kan forårsage brand, personskade eller beskadigelse. Det ugyldiggør også Makita-garantien for Makita-maskinen og opladeren.

## Tips til opnåelse af maksimal akku-levetid

1. Oplad akkuen, inden den er helt afladet. Stop altid værktøjet, og oplad akkuen, hvis De bemærker, at værktøjeffekten er aftagende.
2. Genoplad aldrig en fuldt opladet akku. Overopladning vil afkorte akkuens levetid.
3. Oplad akkuen ved stuetemperatur ved 10 °C - 40 °C. Lad altid en varm akku få tid til at køle af, inden den oplades.
4. Når du ikke anvender akkuen, skal du fjerne den fra maskinen eller opladeren.
5. Oplad akkuen, hvis De ikke skal bruge den i længere tid (mere end seks måneder).

# FUNKTIONSBESKRIVELSE

**⚠️FORSIGTIG:** Sørg altid for at maskinen er slukket, og at akkuen er taget ud, før der udføres justering eller kontrol af funktioner på maskinen.

## Isætning eller fjernelse af akkuen

**⚠️FORSIGTIG:** Sluk altid for værktøjet, før De monterer eller fjerner akkuen.

**⚠️FORSIGTIG:** Hold værktøjet og akkuen fast ved montering eller fjernelse af akkuen. Hvis De ikke holder værktøjet og akkuen fast, kan de glide ud af hænderne på Dem og forårsage beskadigelse af værktøjet og akkuen eller personskade.

► Fig.1: 1. Rød indikator 2. Knap 3. Akku

Akkuen fjernes ved, at De trækker den ud af værktøjet, idet De skyder knappen på forsiden af akkuen i stilling.

For at montere akkuen skal du justere tungen på akkuen med rillen i huset og skubbe den på plads. Indsæt den hele vejen, indtil den låses på plads med et lille klik. Hvis du kan se den røde indikator, som vist i figuren, er den ikke helt låst.

**⚠️FORSIGTIG:** Monter altid akkuen helt, indtil den røde indikator ikke længere er synlig. Hvis dette ikke gøres, kan den falde ud af værktøjet ved et uheld, hvorved De selv eller personer i nærheden kan komme til skade.

**⚠️FORSIGTIG:** Brug ikke magt ved montering af akkuen. Hvis akkuen ikke glider på plads uden problemer, betyder det, at den ikke sættes i på korrekt vis.

## Indikation af den resterende batteriladning

**Kun til akkuer med indikatoren**

► Fig.2: 1. Indikatorlamper 2. Kontrolknap

Tryk på kontrolknappen på akkuen for at få vist den resterende batteriladning. Indikatorlampen lyser i nogle sekunder.

Indikatorlamper			Resterende ladning
Tændt	Slukket	Blinker	
■	□	◻	75% til 100%
■ ■ ■ ■			
■	□	◻	50% til 75%
■ ■ ■ □			
■	□	◻	25% til 50%
■ ■ □ □			
■	□	◻	0% til 25%
■ □ □ □			
◻	□	◻	Genopladdet batteriet.
■ ■ □ □			
□ □ ■ ■			Der er muligvis fejl i batteriet.
	↑ ↓		

**BEMÆRK:** Afhængigt af brugsforholdene og den omgivende temperatur kan indikationen afvige en smule fra den faktiske ladning.

**BEMÆRK:** Den første indikatorlampe (længst mod venstre) vil blinke, når batteribeskyttelsessystemet aktiveres.

## Beskyttelsessystem til værktøj/batteri

Værktøjet er forsynet med et beskyttelsessystem til værktøj/batteri. Dette system afbryder automatisk strømmen til motoren for at forlænge levetiden for værktøjet og batteriet. Værktøjet stopper automatisk under driften, hvis det eller batteriet kommer i en af følgende situationer. I nogle tilfælde lyser indikatorerne.

### Overbelastningsbeskyttelse

Når maskinen/batteriet betjenes på en måde, der bevirker, at den/det forbruger en unormal mængde strøm, stopper maskinen automatisk, og driftslampen blinker. I denne situation skal du slukke for maskinen og stoppe den anvendelse, der medførte, at maskinen blev overbelastet. Tænd derefter maskinen for at starte igen.

### Beskyttelse mod overophedning

Når maskinen/batteriet er overophedet, stopper maskinen automatisk, og driftslampen blinker. Lad i så fald maskinen køle ned, før der tændes for maskinen igen.

### Beskyttelse mod afladning

Når batteriladningen bliver lav, stopper maskinen automatisk. Hvis maskinen ikke kører sammen med kontaktbetjeningen, afmonter batteriet fra maskinen og oplad det.

### Beskyttelse mod andre årsager

Beskyttelsessystemet er også designet til andre årsager, der kan beskadige maskinen og gør det muligt for maskinen at stoppe automatisk. Træf alle følgende foranstaltninger for at fjerne årsagerne, når maskinen midlertidigt er blevet bragt til standsning eller stoppet i drift.

1. Sluk for maskinen, og tænd den igen for at genstarte.
2. Oplad batteriet/batterierne eller udskift det/med med genopladdet/genopladede batteri/batterier.
3. Lad maskinen og batteriet/batterierne køle af.

Hvis der ikke kan findes nogen forberedning ved at genoprette beskyttelsessystemet, skal det lokale Makita-servicecenter kontaktes.

## Afbryderbetjening

**⚠️ADVARSEL:** Brug ALDRIG værktøjet, hvis det kører, når De blot trækker afbryderknappen uden at trykke på lås fra-knappen. En defekt afbryder kan medføre utilsigtet brug og alvorlig personskade. Returnér værktøjet til et Makita servicecenter for korrekt reparation, FØR det anvendes igen.

**⚠️ADVARSEL:** Deaktiver ALDRIG lås fra-knappen ved at holde den nede med tape eller på andre måder. En afbryder med en deaktiveret lås fra-knap kan medføre utilsigtet brug og alvorlig personskade.



**⚠FORSIGTIG:** Inden akkuen sættes i maskinen, bør De altid kontrollere, at afbryderknappen fungerer korrekt, og returnerer til "OFF"-positionen, når den slippes.

**⚠FORSIGTIG:** Undlad at trække hårdt i afbryderknappen uden at trykke på lås fra-knappen. Dette kan medføre, at knappen går i stykker.

**⚠FORSIGTIG:** Maskinen begynder at bremse skivens rotation umiddelbart efter, at du slipper afbryderknappen. Hold godt fast i maskinen for at reagere på bremsereaktionen, når du slipper afbryderknappen. Pludselig reaktion kan få maskinen til at falde af hånden og forårsage personskade.

For at forhindre, at afbryderknappen trykkes ned ved et uheld, er maskinen udstyret med en lås fra-knap. For at starte maskinen skal du trykke på lås fra-knappen og holde den nede og derefter trykke på afbryderknappen. Slip afbryderknappen for at stoppe.

► **Fig.3:** 1. Afbryderknap 2. Lås fra-knap

## Valg af skive

**⚠FORSIGTIG:** Tilbehørets mærkehastighed skal mindst være den samme som den maksimale hastighed, som er angivet på maskinen. Tilbehørsdele, som kører hurtigere end deres mærkehastighed, kan brække og slynges bort.

**⚠FORSIGTIG:** Skiver må kun anvendes til de anbefalede anvendelser.

Vælg et af de mest velegnede typer af skæreskiver i overensstemmelse med din anvendelse.

Skivetype	Praktiske anvendelser
Afskæringsskive	Skæring i stål, rustfrit stål, metaller
Grusskive af wolframkarbid	Skæring i plastik, gips, kompositmaterialer
Diamantskive	Skæring af fliser, keramik

## Skivens rotationsretning

**⚠FORSIGTIG:** Kontrollér altid omløbsretningen, inden arbejdet påbegyndes.

**⚠FORSIGTIG:** Brug kun omløbsvælgeren, når maskinen er stoppet helt. Et pludseligt skift i rotationsretningen under betjening bringer maskinen til et skarpt stop af sikkerhedsmæssige årsager.

Skivens rotation kan ændres i enten fremadrettet eller bagudrettet retning.

For at indstille den fremadrettede rotation skal du skubbe omløbsvælgeren til venstre, indtil "F"-indikatoren vises på vælgeren.

For at vælge den bagudrettede rotation skal du skubbe omløbsvælgeren til højre, indtil "R"-indikatoren vises på vælgeren.

► **Fig.4:** 1. Omløbsvælger

Spåner, rester og skæreparkler har en tendens til at flyve væk langs en tangentretning af skiverotationen. Brug beskyttelsesskærmen effektivt for at undgå forsat eksponering mod afskæringspartikler, så den kan udlede noget af skærestøvet og partikler i en alternativ retning.

En reaktion på en hurtig blokering af den roterende skive kan gøre maskinen ukontrolleret i den modsatte retning af skivens rotation.

### Fremadrettet rotation

► **Fig.5:** 1. Afskæringspartikler 2. Reaktioner

### Bagudrettet rotation

► **Fig.6:** 1. Afskæringspartikler 2. Reaktioner

## Beskyttelsesskærm

**⚠FORSIGTIG:** Sørg for, at beskyttelsesskærmen er korrekt og solidt placeret bag skæreskiven før betjening.

Fastgør beskyttelsesskærmen i en behagelig position for maksimal sikkerhed og minimal eksponering for mulige risikofaktorer i overensstemmelse med dine arbejdsforhold og præferencer.

### Placering fremadrettet

► **Fig.7:** 1. Beskyttelsesskærm 2. Skæreskive

### Placering baglæns

► **Fig.8:** 1. Beskyttelsesskærm 2. Skæreskive

## Aksellås

Tryk på aksellåsen for at forhindre spindelrotation ved montering og afmontering af en skæreskive.

► **Fig.9:** 1. Aksellås

**BEMÆRKNING:** Udløs aldrig aksellåsen, mens spindlen bevæger sig. Maskinen kan lide skade.

## Driftslampe

**⚠FORSIGTIG:** Kig aldrig direkte på lyskilden. Lad ikke lyset falde i Deres øjne.

For at tænde driftslampen, tryk og hold lås fra-knappen nede og træk i afbryderknappen. Lampen slukkes ca. 15 sekunder efter, at afbryderknappen slippes.

► **Fig.10:** 1. Driftslampe

**BEMÆRKNING:** Når maskinen betjenes med for stor belastning, blinker driftslampen. I denne situation skal du slippe afbryderknappen og derefter reducere belastningen på maskinen, før du betjener den igen.

**BEMÆRKNING:** Når maskinen er overophedet, blinker driftslampen. I dette tilfælde skal du slippe afbryderknappen og derefter afkøle maskinen/batteriet, før du betjener maskinen igen.

**BEMÆRK:** Brug en tør klud til at tørre snavset af lampens linse. Pas på ikke at ridse lampens linse, da dette muligvis kan dæmpe belysningen.

## Justering af skæredybde

**⚠FORSIGTIG:** Når du har justeret skæredybden, skal du altid tilspænde fingerskruen forsvarligt.

Når støvopsamlingsdækslet er monteret, kan der foretages finjusteringer i skæredybden op til 13,5 mm.

Løsn fingerskruen på dybdeskalaen. Løft eller sænk maskinens håndtag på plads for at justere dybdeindikatorerne på dækslet til den ønskede skæredybde på skalaen. Tilspænd derefter fingerskruen.

► **Fig.11:** 1. Fingerskrue 2. Dybdeskala 3. Dybdeindikator

**⚠FORSIGTIG:** For at opnå en ren og sikker skæring skal du indstille skæredybden, så en skæreskive passerer arbejdsemnets underside med 2,0 mm eller mindre. Indstilling i passende skæredybder hjælper med at reducere risikoen for farlige tilbageslag, som kan forårsage personskade.

## Sigtning til lige skæring

Når støvopsamlingsdækslet er monteret, kan der foretages lige skæring på sikker vis ved at justere skæreskiven mod skæreretningen, før den egentlige skæring udføres.

Justér styreindhakket i bunden af støvopsamlingsdækslet med den tilsigtede skærelinje på arbejdsemnet.

► **Fig.12:** 1. Styreindhak 2. Bund 3. Skærelinje

## Tilslutning af en støvsuger

### Ekstraudstyr

Når du vil udføre en ren skæring, skal du tilslutte en Makita-støvsuger til støvmundstykket i støvopsamlingsdækslet ved hjælp af en forreste manchete 22 (ekstraudstyr).

► **Fig.13:** 1. Forreste manchetter 22 2. Støvmundstykke 3. Slange 4. Støvsuger

## Funktion til forhindring af utilsigtet genstart

Når du monterer akkuen, mens du trykker på afbryderknappen, vil maskinen ikke starte. For at starte maskinen skal du først slippe afbryderknappen. Tryk på lås fra-knappen, og hold den nede, og tryk derefter på afbryderknappen.

## Elektronisk funktion

Maskinen er udstyret med elektroniske funktioner for nem betjening.

- Elektrisk bremse  
Denne maskine er udstyret med en elektrisk bremse. Hvis maskinen konsekvent undlader at stoppe hurtigt, efter at afbryderknappen slippes, skal der udføres service på maskinen hos et Makita-servicecenter.

- Konstant hastighedskontrol  
Funktionen til hastighedskontrol sørger for konstant rotationshastighed uanset belastningsforholdene.
- Teknologi til aktiv registrering af feedback  
Maskinen registrerer elektronisk situationer, hvor skiven eller tilbehøret kan risikere at binde. I så fald slukkes der automatisk for maskinen for at forhindre spindlen i at rotere yderligere (det forhindrer ikke tilbageslag).  
For at genstarte maskinen skal man først slukke for maskinen, eliminere årsagen til det pludselige fald i rotationshastighed og derefter tænde for maskinen.

## SAMLING

**⚠FORSIGTIG:** Sørg altid for at maskinen er slukket, og at akkuen er taget ud, før der udføres noget arbejde på maskinen.

## Opbevaring af unbrakonøgle

Når unbrakonøglen ikke anvendes, skal den opbevares som vist på illustrationen, så den ikke bortkommer.

► **Fig.14:** 1. Unbrakonøgle

## Afmontering og montering af skæreskive

**⚠FORSIGTIG:** Brug kun den medfølgende Makita unbrakonøgle til at afmontere og montere en skæreskive.

**⚠FORSIGTIG:** Når du monterer en skæreskive, skal du sørge for at tilspænde boltens forsvarligt.

**BEMÆRKNING:** Når du monterer en diamantskive for at opnå den bedste ydeevne, skal du altid sørge for, at pilene på diamantskiven peger i samme retning som den ønskede rotation af skiven.

For at afmontere en skæreskive skal du trykke aksellåsen helt ned, så skæreskiven ikke kan dreje rundt, og bruge unbrakonøglen til at løsne sekskantboltens mod uret. Afmonter derefter sekskantboltens, den udvendige flange og skæreskiven.

► **Fig.15:** 1. Aksellås 2. Sekskantnøgle 3. Sekskantbolt 4. Løsning 5. Tilspænd

**BEMÆRKNING:** Hvis den indvendige flange afmonteres, skal den sættes tilbage på spindlen med skivemonteringsdelen vendt opad.

Følg afmonteringsproceduren i omvendt rækkefølge for at montere en skæreskive.

► **Fig.16:** 1. Sekskantbolt 2. Udvendig flange 3. Skæreskive 4. Indvendig flange 5. Spindel

## Montering og afmontering af støvopsamlingsdæksel

**⚠ FORSIGTIG:** Sørg for, at beskyttelsesskærmen er sikkert låst af stopperen ind i støvopsamlingsdækslet før betjening.

**⚠ FORSIGTIG:** Undgå at bruge støvopsamlingsdækslet til metalarbejde, der skaber varme og flyvende gnister, da det kan smelte plastikkomponenterne i støvopsamlingsdækslet.

Støvopsamlingsdækslet forbedrer sikker og effektiv skæring, hvilket giver en beskyttelse mod den roterende skive, skærestabilitet, præcis kontrol over skæredybden og løsninger til fjernelse af støv, især ved fliser, gips og stentøjsspån.

### Montering af støvopsamlingsdæksel

- Løsn fingerskruen på dybdeskalaen på støvopsamlingsdækslet. Løft dækslet helt op, og tilspænd derefter fingerskruen for at fastgøre støvopsamlingsdækslet i en løftet position.  
▶ **Fig.17:** 1. Fingerskrue 2. Dybdeskala 3. Støvopsamlingsdæksel
- Indstil beskyttelsesskærmen på maskinen i en fremadrettet position.  
▶ **Fig.18:** 1. Beskyttelsesskærm
- Løft maskinens håndtag en smule, og placér den forreste halvdel af beskyttelsesskærmen i en vinkel ind i støvopsamlingsdækslet, så bunden af skæreskiven kastes ned gennem skiveåbningen i bunden.  
▶ **Fig.19:** 1. Beskyttelsesskærm  
2. Støvopsamlingsdæksel 3. Skæreskive  
4. Skiveåbning
- Montér den bageste halvdel af beskyttelsesskærmen i støvopsamlingsdækslet, mens du sænker maskinens håndtag fra en løftet position til en nedadgående position.  
▶ **Fig.20:** 1. Beskyttelsesskærm  
2. Støvopsamlingsdæksel
- Løft maskinens håndtag igen for at hægte bagkanten af beskyttelsesskærmen over stopperen inde i støvopsamlingsdækslet.  
▶ **Fig.21:** 1. Beskyttelsesskærm 2. Stopper
- Løsn fingerskruen. Sving maskinen op og ned i den ønskede skæredybde. Tilspænd derefter fingerskruen for at fastgøre maskinen på plads.

### Afmontering af støvopsamlingsdæksel

- Løsn fingerskruen på dybdeskalaen på støvopsamlingsdækslet. Løft maskinens håndtag helt op, og tilspænd derefter fingerskruen for at fastgøre støvopsamlingsdækslet i en løftet position.  
▶ **Fig.22:** 1. Fingerskrue 2. Dybdeskala 3. Støvopsamlingsdæksel
- Skub udløserhåndtaget mod fingerskruen for at låse beskyttelsesskærmen op fra stopperen inde i støvopsamlingsdækslet.  
▶ **Fig.23:** 1. Udløserhåndtag 2. Fingerskrue  
3. Beskyttelsesskærm  
4. Støvopsamlingsdæksel 5. Stopper

- Afmonter den bageste halvdel af beskyttelsesskærmen fra støvopsamlingsdækslet, mens du sænker maskinens håndtag fra en løftet position til en nedadgående position.

▶ **Fig.24:** 1. Beskyttelsesskærm  
2. Støvopsamlingsdæksel

- Træk den forreste halvdel af beskyttelsesskærmen i en let opadgående og udadvendt vinkel, bortset fra støvopsamlingsdækslet.

▶ **Fig.25:** 1. Beskyttelsesskærm  
2. Støvopsamlingsdæksel

## ANVENDELSE

**⚠ FORSIGTIG:** Oprethold altid et fast greb om maskinen under anvendelse.

**⚠ FORSIGTIG:** Undlad at tvinge maskinen. Hvis du tvinger og udøver et for højt tryk, eller hvis du lader skiven bøje, klemme eller dreje i snittet, kan det forårsage overophedning af motoren og farligt tilbageslag af maskinen.

**⚠ FORSIGTIG:** Når du skærer plastik, skal du sørge for ikke at overophede skæreskiven. Det kan resultere i smeltning af arbejdsområdet.

**⚠ FORSIGTIG:** Undlad at banke eller slå på en skæreskive, når du starter eller under anvendelse.

**⚠ FORSIGTIG:** Bær altid sikkerhedsbriller eller ansigtsskærm under anvendelse.

**⚠ FORSIGTIG:** Efter betjening skal du altid slukke for maskinen og vente, indtil skiven er helt stoppet, før du lægger maskinen ned.

### Nedskæring

**BEMÆRKNING:** Vær omhyggelig med at bruge en effektiv skæreflade på skiven for at undgå eksponering mod afskæringspartikler.

**BEMÆRKNING:** Hold en skæreskive lige i arbejdsområdet, og undgå at vippe eller svinge maskinen under betjeningen.

Placér beskyttelsesskærmen korrekt for at yde maksimal beskyttelse mod gnister og løse partikler, der kastes ud af skæreskiven. Placér maskinen over arbejdsområdet, uden at skæreskiven kommer i kontakt med arbejdsområdet. Tænd for maskinen, og vent, indtil skæreskiven når fuld hastighed. Sænk derefter maskinen langsomt ned over arbejdsområdets overflade ved hjælp af en moderat fremføring, der passer til anvendelserne.

#### Fremadrettet rotation

▶ **Fig.26**

#### Bagudrettet rotation

▶ **Fig.27**

## Lige skæring

**⚠️ FORSIGTIG:** Sørg for, at en skæreskive altid fungerer i en opadgående slibebevægelse. Ellers kan det medføre, at maskinen skubbes ukontrolleret ud af snittet.

**BEMÆRKNING:** Hold skærelinjen lige, og påfør et stabilt tryk for at opnå en ensartet skæring gennem arbejdsemnet.

Indstil støvopsamlingsdækslets bundplade på arbejdsemnet, der skal skæres, uden at skæreskiven har nogen kontakt. Tænd for maskinen, og vent, indtil skæreskiven når fuld hastighed. Flyt derefter maskinen langsomt hen over arbejdsemnets overflade, mens den holdes fladt og føres glat frem, indtil skæringen er færdig.

Vælg den bagudrettede rotation til skubbeskæring og den fremadrettede rotation til trækkeskæring.

**Skubbeskæring i bagudrettet rotation**

► Fig.28

**Trækkeskæring i fremadrettet rotation**

► Fig.29

**BEMÆRK:** Vær opmærksom på, at støvopsamlingsdækslet har en tendens til at fungere mindre effektivt ved trækkeskæring, da nogle skæreparkler spredes inde i dækslet mod støvudtræksstrømmen.

## VEDLIGEHODELSE

**⚠️ FORSIGTIG:** Vær altid sikker på, at værktøjet er slukket, og at akkuen er taget ud, inden De begynder at udføre inspektion eller vedligeholdelse.

**BEMÆRKNING:** Anvend aldrig benzin, rensebenzin, fortynder, alkohol og lignende. Det kan medføre misfarvning, deformation eller revner.

For at opretholde produktets SIKKERHED og PALIDELIGHED må reparation, vedligeholdelse eller justering kun udføres af et autoriseret Makita servicecenter eller fabrikksservicecenter med anvendelse af Makita reservedele.

## Slibning af diamantskiven

Hvis diamantskivens skæring aftager, skal du bruge en gammel og kasseret, grovkornet bænkslibeskive eller en betonklods til at slibe diamantskiven. Du gør dette ved forsvarligt at fastgøre bænkslibeskiven eller betonklods og skære i den.

## Efter brug

Rens støvet inde i maskinen ved at lade maskinen køre i tomgang i et stykke tid. Ophobning af støv i motoren kan forårsage en fejlfunktion af maskinen.

## Rengøring af beskyttelseskærm og støvopsamlingsdæksel

Rengør indersiden af beskyttelseskærmen og støvopsamlingsdækslet med jævne mellemrum. Blæs eller aftør snavs eller støv, der har ophobet sig i dem.

- **Fig.30:** 1. Beskyttelseskærm  
2. Støvopsamlingsdæksel

## Rengøring af ventilationsåbninger

Rengør maskinens ventilationsåbninger med jævne mellemrum for at sikre en jævn luftcirkulation. Afmontér støvdækslet fra indsugningsåbningen, og rengør det, når det bliver snavset og tilstoppet.

- **Fig.31:** 1. Støvdæksel 2. Indsugningsåbning

## EKSTRAUDSTYR

**⚠️ FORSIGTIG:** Det følgende tilbehør og ekstraudstyr er anbefalet til brug med Deres Makita maskine, der er beskrevet i denne brugsanvisning. Anvendelse af andet tilbehør eller ekstraudstyr kan udgøre en risiko for personskade. Anvend kun tilbehør og ekstraudstyr til det beskrevne formål.

Hvis De behøver hjælp ved valg af tilbehør eller ønsker yderligere informationer, bedes De kontakte Deres lokale Makita servicecenter.

- Afskæringsskive
- Diamantskive
- Grusskive af wolframkarbid
- Sekskantnøgle
- Original Makita-akku og oplader

**BEMÆRK:** Nogle ting på denne liste kan være inkluderet i værktøjspakken som standardtilbehør. Det kan være forskellige fra land til land.

## SPECIFIKĀCIJAS

<b>Modelis:</b>	<b>DMC300</b>	
Ripas ārējais diametrs	76 mm	
Ripas iekšējais (ass) diametrs	10,0 mm / 9,5 mm (3/8") (atkarībā no valsts)	
Maks. slīpripas biezums	1,0 mm	
Maks. griešanas jauda	Ar putekļu savākšanas pārsegu	13,5 mm
	Bez putekļu savākšanas pārsega	16,0 mm
Nominālais ātrums (n)/ātrums bez slodzes (n <sub>0</sub> )	20 000 min <sup>-1</sup>	
Kopējais garums	271 mm *1	
Nominālais spriegums	Līdzstrāva 18 V	
Neto svars	1,2–1,7 kg	

\*1. Ar akumulatora kasetni (BL1860B) / bez putekļu savākšanas pārsega

- Nepārtrauktās izpētes un izstrādes programmas dēļ seīt uzrādītās specifikācijas var tikt mainītas bez brīdinājuma.
- Specifikācijas un akumulatora kasetne var atšķirties dažādās valstīs.
- Svars var būt atšķirīgs atkarībā no papildierīces (-ēm), tostarp akumulatora kasetnes. Tabulā ir attēlota vieglākā un smagākā kombinācija atbilstoši EPTA procedūrai 01/2014.

## Piemērotā akumulatora kasetne un lādētājs

Akumulatora kasetne	BL1815N / BL1820B / BL1830B / BL1840B / BL1850B / BL1860B
Lādētājs	DC18RC / DC18RD / DC18RE / DC18SD / DC18SE / DC18SF / DC18SH / DC18WC

- Daži no iepriekš norādītajiem lādētājiem un akumulatora kasetnēm var nebūt pieejami atkarībā no jūsu mītnes reģiona.

**⚠BRĪDINĀJUMS:** Izmantojiet vienīgi iepriekš norādītās akumulatora kasetnes un lādētājus. Cita tipa akumulatora kasetņu un lādētāju izmantošana var radīt traumu un/vai aizdegšanās risku.

## Paredzētā lietošana

Šis darbarīks paredzēts metāla, plastmasas, keramikas, ģipša un līdzīgu kompozītmateriālu plākšņu, konstrukciju, cauruļu, filžu vai sienu griešanai, neizmantojot ūdeni.

## Trokšņa līmenis

Tipiskais A svērtais trokšņa līmenis noteikts saskaņā ar EN60745-2-22:

Skaņas spiediena līmeni (L<sub>pA</sub>): 88 dB (A)

Skaņas jaudas līmeni (L<sub>WA</sub>): 99 dB (A)

Mainīgums (K): 3 dB (A)

**PIEZĪME:** Paziņotā trokšņa emisijas vērtība noteikta atbilstoši standarta pārbaudes metodei, un to var izmantot, lai salīdzinātu vienu darbarīku ar citu.

**PIEZĪME:** Paziņoto trokšņa emisijas vērtību arī var izmantot iedarbības sākotnējā novērtējumā.

**⚠BRĪDINĀJUMS:** Lietojiet ausu aizsargus.

**⚠BRĪDINĀJUMS:** Trokšņa emisija patiesos darba apstākļos var atšķirties no paziņotās vērtības atkarībā no darbarīka izmantošanas veida un jo īpaši atkarībā no apstrādājamā materiāla veida.

**⚠BRĪDINĀJUMS:** Lai aizsargātu lietotāju, nosakiet drošības pasākumus, kas pamatoti ar iedarbību reālos darba apstākļos (ņemot vērā visus ekspluatācijas cikla posmus, piemēram, laiku, kamēr darbarīks ir izslēgts un kad darbojas tukšgaitā, kā arī palaides laiku).

## Vibrācija

Vibrācijas kopējā vērtība (trīsasu vektora summa) noteikta atbilstoši EN60745-2-22:

Darba režīms: betona griešana (biezums 5 mm)

Vibrācijas izmete (a<sub>h</sub>): 3,0 m/s<sup>2</sup>

Mainīgums (K): 1,5 m/s<sup>2</sup>

**PIEZĪME:** Paziņotā kopējā vibrācijas vērtība noteikta atbilstoši standarta pārbaudes metodei, un to var izmantot, lai salīdzinātu vienu darbarīku ar citu.

**PIEZĪME:** Paziņoto kopējo vibrācijas vērtību arī var izmantot iedarbības sākotnējā novērtējumā.

**▲BRĪDINĀJUMS:** Vibrācijas emisija patiesos darba apstākļos var atšķirties no paziņotās vērtības atkarībā no darbarīka izmantošanas veida un jo īpaši atkarībā no apstrādājamā materiāla veida.

**▲BRĪDINĀJUMS:** Lai aizsargātu lietotāju, nosakiet drošības pasākumus, kas pamatoti ar iedarbību reālos darba apstākļos (ņemot vērā visus ekspluatācijas cikla posmus, piemēram, laiku, kamēr darbarīks ir izslēgts un kad darbojas tukšgaitā, kā arī palaides laiku).

## EK atbilstības deklarācija

### Tikai Eiropas valstīm

EK atbilstības deklarācija šajā lietošanas rokasgrāmatā ir iekļauta kā A pielikums.

## DROŠĪBAS BRĪDINĀJUMI

### Vispārīgi elektrisko darbarīku drošības brīdinājumi

**▲BRĪDINĀJUMS:** Izlasiet visus drošības brīdinājumus, instrukcijas, apskatiet ilustrācijas un tehniskos datus, kas iekļauti mehānizētā darbarīka komplektācijā. Ja netiek ievēroti visi tālāk minētie noteikumi, var tikt izraisīta elektrotrauma, notikt aizdegšanās un/vai rasties smagas traumas.

## Glabājiet visus brīdinājumus un norādījumus, lai varētu tajos ieskatīties turpmāk.

Termins „elektrisks darbarīks” brīdinājumos attiecas uz tādu elektrisko darbarīku, ko darbina ar elektrību (ar vadu), vai tādu, ko darbina ar akumulatoru (bez vada).

## Akumulatora griezējinstrumenta drošības brīdinājumi

1. Komplektā iekļautajam aizsargam jābūt cieši piestiprinātam pie mehānizētā darbarīka un novietotam tā, lai maksimāli gādātu par drošību un operatora virzienā būtu atsegta mazākā ripas daļa. Izvēlieties tādu stāvokli, lai jūs un blakusstāvošie neatrastos rotējošās ripas plaknē. Aizsargs palīdz aizsargāt operatoru no salūzušas slīpripas daļām un nejaušas saskares ar slīpripu.
2. Elektriskajam darbarīkam izmantojiet tikai stiprinātu stiegrotu vai dimanta griešanas ripu. Tas vien, ka piederumu var piestiprināt elektriskajam darbarīkam, negarantē drošu lietošanu.
3. Piederuma nominālajam ātrumam jābūt vismaz identiskam ar maksimālo ātrumu, kas atzīmēts uz mehānizētā darbarīka. Piederumi, kas griežas ātrāk par nominālo ātrumu, var salūzt un tikt izsviesti.
4. Slīpripas jāizmanto tikai tām paredzētajiem darbiem. Piemēram: neslīpējiet ar griešanas ripas malu. Abrazīvas griešanas ripas paredzētas perifērai slīpēšanai, tāpēc, ja uz šīm ripām iedarbojas sānu spēks, tās var salūzt.

5. Vienmēr izmantojiet nebojātus, izvēlētajai slīpripai atbilstoša diametra ripas atlokus. Atbilstoši slīpripas atloki balsta slīpripu, tādējādi samazinot tās salūšanas iespēju.
6. Neizmantojiet nodilušas lielāku elektrisko darbarīku stiegrotās ripas. Lielākiem elektriskajiem darbarīkiem paredzētās ripas nav piemērotas mazāka darbarīka lielākajam ātrumam, tās var sabrukt.
7. Piederuma ārējam diametram un biežumam jābūt mehānizētā darbarīka jaudas robežās. Nepareiza izmēra piederumus nav iespējams pietiekami uzmanīt vai vadīt.
8. Ripu un atloku ar vārpstas atverēm lielumam jābūt atbilstošam mehānizētā darbarīka tapai. Ripas un atloki ar vārpstas atverēm, kas neatbilst mehānizētā darbarīka stiprinājuma aprīkojumam, zaudēs centrējumu, pārmērīgi vibrēs un var izraisīt vadības zaudēšanu.
9. Neizmantojiet bojātas slīpripas. Pirms katras izmantošanas reizes pārbaudiet, vai slīpripai nav robu vai plaisu. Ja mehānizētais darbarīks vai slīpripa nokrīt, pārbaudiet, vai nav radušies bojājumi, vai arī uzstādiet nebojātu piederumu. Pēc slīpripas pārbaudes un uzstādīšanas izvēlieties atrašanās vietu sev un apkārtējiem, kas neatrastos slīpripas rotācijas plaknē, tad vienu minūti darbiniet mehānizēto darbarīku ar maksimālo bezslodzes darbības ātrumu. Bojāti piederumi šādas pārbaudes laikā parasti izjūk.
10. Izmantojiet individuālos aizsarglīdzekļus. Vienmēr lietojiet dzirdes aizsargus. Atkarībā no veicamā darba valkājiet sejas aizsargu, aizsargbrilles vai brilles. Ja nepieciešams, izmantojiet putekļu masku, cimdus un darba priekšautu, kas aiztur mazas abrazīvās vai apstrādājamā materiāla daļas. Acu aizsardzības aprīkojumam jāaiztur lidojošus gruzus, kas rodas dažādu darbu veikšanas laikā. Putekļu maskai vai respiratoram jāaiztur darba laikā radušās daļiņas. Ilgstoši pakļaujot sevi ļoti intensīvam troksnim, var rasties dzirdes zudums.
11. Gādājiet, lai apkārtējie atrastos drošā attālumā no darba vietas. Ikvienam, kas atrodas darba vietā, jāizmanto individuālie aizsarglīdzekļi. Apstrādājamā materiāla vai salūzušas slīpripas fragmenti var tikt izsviesti un radīt traumas arī tiem, kas neatrodas tieši darba vietā.
12. Veicot darbu, mehānizēto darbarīku drīkst turēt tikai aiz izolētajām satveršanas virsmām, ja strādā vietā, kur griezējinstrumentus varētu saskarties ar apslēptu elektroinstalāciju. Griezējinstrumentam saskaroties ar kabeli zem sprieguma, mehānizētā darbarīka metāla daļas var vadīt spriegumu un radīt operatoram elektrotraumu.
13. Nekādā gadījumā mehānizēto darbarīku nedrīkst nolikt malā, pirms tas nav pavisam apstājies. Rotējoša slīpripa var aizķert vīrsmu un pavilkt mehānizēto darbarīku, neļaujot jums to noturēt.
14. Mehānizēto darbarīku nedrīkst darbināt, kamēr to pārnēsā. Ja apgērbs nejausi pieskaras rotējošajam piederumam, tas var tikt satverts, iespējot piederumu miesā.
15. Regulāri tīriet mehānizētā darbarīka ventilācijas atveres. Motora ventilators ievilk putekļus korpusā, un pārmērīga pulverveida metāla uzkrāšanās var izraisīt elektrības sistēmas bojājumus.

16. **Mehanizēto darbarīku nedrīkst darbināt ugunsnedrošu materiālu tuvumā.** Dzirksteles var aizdedzināt šos materiālus.

#### **Atsitiens un ar to saistīti brīdinājumi**

Atsitiens ir pēkšņa reakcija uz iesprūdušu vai aizķērušo rotējošo slīpripi. Iesprūšana vai aizķeršanās izraisa pēkšņu rotējošās slīripas apstāšanos, kas saskares brīdī savukārt izraisa nevadāmu mehanizētā darbarīka grūdienu pretēji slīripas rotācijas virzienam.

Piemēram, ja abrazīvā slīripa aizķeras vai iesprūst apstrādājamā materiālā, slīripas mala, kas nokļūst iesprūšanas punktā, var iespieties materiāla virsmā, liekot slīripai izvīrīties vai atlēkt. Slīripa saskares brīdī var izlēkt operatora virzienā vai prom no viņa atkārtībā no slīripas kustības virziena. Šādos gadījumos abrazīvās slīripas var arī salūzt.

Atsitiens rodas darbarīka nepareizas lietošanas un/vai nepareizas darbības vai apstākļu rezultātā, un no tā var izvairīties, veicot piemērotus drošības pasākumus, kā norādīts tālāk.

1. **Saglabājiet ciešu darbarīka tvērienu un novietojiet ķermeni un rokas tā, lai pretotos atsitienu spēkam.** Lai maksimāli kontrolētu atsitienu (iedarbināšanas laikā) vai griezes momentu, vienmēr lietojiet palīgrokturi, ja tāds ir. Operators var savaldīt griezes momenta reakciju vai atsitienu spēku, ja veic atbilstošus piesardzības pasākumus.
2. **Nekad nenovietojiet roku rotējošā piederuma tuvumā.** Piederums var radīt atsitienu, trāpot rokai.
3. **Nenostājieties vienā līnijā ar rotējošo slīpripi.** Atsitiens saskares brīdī pārvieto darbarīku slīripas kustībā pretējā virzienā.
4. **Īpaši uzmanieties, apstrādājot stūrus, asas malas u. c. Neļaujiet piederumam atlēkt un aizķerties.** Stūri, asas malas vai atļēcieni mēdz sakert rotējošo piederumu un izraisīt kontroles zaudēšanu pār darbarīku vai atsitienu.
5. **Nepiestipriniet zāga ķēdi, kokgriešanas asmeni, segmentētu dimanta ripu ar aploces riavu, kas lielāka par 10 mm, vai zobainu zāga asmeni.** Šādi asmeņi izraisa biežus atsitienu kontroles zaudēšanu.
6. **Neļaujiet slīripai iesprūst; neizmantojiet pārmērīgu spiedienu.** Negrieziet pārāk dziļi. Slīripas pārslēgšana palielina slodzi, ripas savēršanās vai iekēršanās griezumā un atsitienu, kā arī slīripas salūšanas iespējamību.
7. **Ja slīripa aizķeras vai kāda iemesla dēļ tiek pārtraukta griešana, izslēdziet mehanizēto darbarīku un turiet to nekustīgi, līdz slīripa pilnībā apstājas.** Nekad nemēģiniet izņemt slīripu no griezuma, kamēr slīripa vēl griežas, citādi var rasties atsitiens. Pārbaudiet un veiciet attiecīgus pasākumus, lai novērstu slīripas aizķeršanās cēloņus.
8. **Neatsāciet griešanu, darbarīkam atrodoties apstrādājamā materiālā.** Ļaujiet slīripai sasniegt pilnu ātrumu un tad vēlreiz uzmanīgi ievietojiet to griezumā. Slīripa var aizķerties, izvīrīties augšup vai atlēkt, ja mehanizēto darbarīku atkal iedarbina laikā, kamēr tas atrodas apstrādājamajā virsmā.

9. **Atbalstiet paneļus un visus lielos apstrādājamos materiālus, lai samazinātu slīripas iesprūšanas un atsitienu bīstamību.** Lielī apstrādājami materiāli bieži vien ieliecas sava svara dēļ. Balsti jānovieto abās slīripas pusēs zem apstrādājamās virsmas, griezuma līnijas tuvumā un tuvu apstrādājamās virsmas malai.
10. **Esiet īpaši uzmanīgs, veicot „nišas griezumus” jau esošajās sienās vai citās aizsegtās vietās.** Caururbīdāmā slīripa var pārgriezt gāzes vai ūdens caurules, elektrības vadus vai priekšmetus, kas var izraisīt atsitienu.
11. **Pirms segmentētas dimanta ripas izmantošanas pārbaudiet, vai dimanta ripas aploces riava starp segmentiem ir 10 mm vai mazāka, tikai ar negatīvu slīpuma leņķi.**

#### **Papildu drošības brīdinājumi:**

1. **Nekādā gadījumā negrieziet, ja darbarīks skrūvspīlēs ir apgriezts otrādi.** Tādējādi var izraisīt smagus negadījumus, jo šāda rīcība ir ļoti bīstama.
2. **Pārbaudiet, vai apstrādājamā detaļa ir pienācīgi atbalstīta.**
3. **Daži materiāli satur ķīmiskas vielas, kas var būt toksiskas.** Izvairieties no putekļu ieelpošanas un neļaujiet tiem nokļūt uz ādas. Ievērojiet materiāla piegādātāja drošības datus.
4. **Glabājiet slīripas saskaņā ar ražotāja ieteikumiem.** Nepareizi uzglabājot, slīripas var sabojāt.

## **SAGLABĀJIET ŠOS NORĀDĪJUMUS.**

**▲BRĪDINĀJUMS: NEPIELĀUJIET to, ka labu iemaņu vai izstrādājuma labas pārzināšanas (darbarīku atkārtoti ekspluatējot) rezultātā vairs stingri neievērojāt šī izstrādājuma drošības noteikumus. NEPAREIZI LIETOJOT darbarīku vai neievērojot šajā instrukciju rokasgrāmatā minētos drošības noteikumus, var tikt gūtas smagas traumas.**

## **Svarīgi drošības norādījumi par akumulatora kasetni**

1. **Pirms akumulatora lietošanas izlasiet visus norādījumus un brīdinājumus, kuri attiecas uz (1) akumulatora lādētāju, (2) akumulatoru un (3) ierīci, kurā tiek izmantots akumulators.**
2. **Akumulatora kasetni nedrīkst ne pārveidot, ne izjaukt.** Citādi var tikt izraisīta aizdegšanās, pārmērīgs karstums vai sprādziens.
3. **Ja akumulatora darbības laiks kļūva ievērojami īsāks, nekavējoties pārtrauciet to izmantot.** Citādi, tas var izraisīt pārkarsējumu, uzliesmojumu vai pat sprādzienu.
4. **Ja elektroflīts nonāk acīs, izskalojiet tās ar tīru ūdens un nekavējoties griezieties pie ārsta.** Tas var izraisīt redzes zaudēšanu.
5. **Neradiet īssavienojumu akumulatora kasetnē:**
  - (1) Nepieskarieties spailēm ar elektrību vadsošiem materiāliem.
  - (2) Neuzglabājiet akumulatoru kasetni kopā ar citiem metāla priekšmetiem, tādiem kā naglas, monētas u. c.
  - (3) Nepakļaujiet akumulatora kasetni ūdens vai lietus iedarbībai.

Akumulatora īssavienojums var radīt spēcīgu strāvas plūsmu, pārkaršanu, uzliesmojumu un pat sabojāt akumulatoru.

6. Neglabājiet un neizmantojiet darbarīku un akumulatora kasetni vietās, kur temperatūra var sasniegt vai pārsniegt 50 °C (122 °F).
7. Nededziniet akumulatora kasetni, pat ja tā ir stipri bojāta vai pilnībā nolietota. Akumulatora kasetne ugunī var eksplodēt.
8. Akumulatora kasetni nedrīkst naglot, griezt, saspīst, mest vai nomet, kā arī pa to nedrīkst sist ar cietu priekšmetu. Šādas darbības var izraisīt aizdegšanos, pārmērīgu karstumu vai sprādzienu.
9. Neizmantojiet bojātu akumulatoru.
10. Uz izmantotajiem litija jonu akumulatoriem attiecas likumdošanas prasības par bīstamiem izstrādājumiem.  
Komerציālā transportēšanā, ko veic, piemēram, trešās puses, transporta uzņēmumi, jāievēro uz iesaiņojuma un marķējuma norādītās īpašās prasības.  
Lai izstrādājumu sagatavotu nosūtīšanai, jāsaziņās ar bīstamo materiālu speciālistu. Ievērojiet arī citus attiecināmos valsts normatīvus.  
Valējus kontaktus nosedziet ar līmlenti vai citādi pārklājiet, bet akumulatoru iesaiņojiet tā, lai sānīt tas nevarētu izkustēties.
11. Lai utilizētu akumulatora kasetni, izņemiet to no darbarīka un likvidējiet drošā vietā. Ievērojiet vietējos noteikumus par akumulatora likvidēšanu.
12. Izmantojiet šos akumulatorus tikai ar izstrādājumiem, kurus norādījis Makita. Ievietojot šos akumulatorus nesaderīgos izstrādājumos, var rasties ugunsgrēks, pārmērīgs karstums, tie var uzsprāgt vai no tiem var iztecēt elektrolīts.
13. Ja darbarīks netiks lietots ilgu laiku, no tā jāizņem akumulators.
14. Lietošanas laikā vai pēc tās akumulatora kasetne var uzkrāt siltumu, kas var izraisīt apdegumus vai zemas temperatūras apdegumus. Ar karstu akumulatora kasetni apejieties rūpīgi.
15. Nepieskarieties darbarīka izvadam uzreiz pēc lietošanas, jo tas var būt sakarsis un izraisīt apdegumus.
16. Neļaujiet akumulatora kasetnes spailēs, atverēs un rievās uzkrāties skaidām, putekļiem vai netīrumiem. Tas var izraisīt sasilšanu, aizdegšanos, sprādzienu un instrumenta vai akumulatora kasetnes nepareizu darbību, un lietotājs var gūt apdegumus vai ievainojumus.
17. Neizmantojiet akumulatora kasetni augstsprieguma līniju tuvumā, izņemot gadījumus, kad darbarīks ir piemērots lietošanai augstsprieguma līniju tuvumā. Citādi darbarīks vai akumulatora kasetne var sākt darboties nepareizi vai tikt sabojāti.
18. Glabājiet akumulatoru bērnēm nepieejamā vietā.

## SAGLABĀJIET ŠOS NORĀDĪJUMUS.

**⚠UZMANĪBU:** Lietojiet tikai oriģinālos Makita akumulatorus. Ja lietojat neoriģinālus Makita akumulatorus vai pārveidotus akumulatorus, tie var uzsprāgt un izraisīt aizdegšanos, traumas un materiālos zaudējumus. Tīks anulēta arī Makita darbarīka un lādētāja garantija.

## Ieteikumi akumulatora kalpošanas laika pagarināšanai

1. Uzlādējiet akumulatora kasetni, pirms tā ir pilnībā izlādējusies. Vienmēr, kad ievērojāt, ka darbarīka darba jauda zudusi, apturiet darbarīku un uzlādējiet akumulatora kasetni.
2. Nekad neuzlādējiet pilnībā uzlādētu akumulatora kasetni. Pārmērīga uzlāde sāina akumulatora kalpošanas laiku.
3. Uzlādējiet akumulatora kasetni istabas temperatūrā 10 °C - 40 °C. Karstai akumulatora kasetnei pirms uzlādes ļaujiet atdzist.
4. Kad akumulatora kasetne netiek izmantota, izņemiet to no darbarīka vai lādētāja.
5. Uzlādējiet litija jonu akumulatora kasetni, ja to ilgstoši nelietosit (vairāk nekā sešus mēnešus).

## FUNKCIJU APRAKSTS

**⚠UZMANĪBU:** Pirms darbarīka regulēšanas vai tā darbības pārbaudes vienmēr pārliecinieties, ka darbarīks ir izslēgts un akumulatora kasetne ir izņemta.

## Akumulatora kasetnes uzstādīšana un izņemšana

**⚠UZMANĪBU:** Vienmēr pirms akumulatora kasetnes uzstādīšanas vai noņemšanas izslēdziet darbarīku.

**⚠UZMANĪBU:** Uzstādot vai izņemot akumulatora kasetni, darbarīku un akumulatora kasetni turiet cieši. Ja darbarīku un akumulatora kasetni netur cieši, tie var izkrist no rokām un radīt bojājumus darbarīkam un akumulatora kasetnei, kā arī izraisīt ievainojumus.

- **Att.1:** 1. Sarkanās krāsas indikators 2. Poga 3. Akumulatora kasetne

Lai izņemtu akumulatora kasetni, izvelciet to no darbarīka, pārībdot kasetnes priekšpusē esošo pogu.

Lai uzstādītu akumulatora kasetni, salāgojiet akumulatora kasetnes mēlīti ar rievu ietvarā un iebīdīet to vietā. Ievietojiet to līdz galam, līdz tā ar klikšķi nofiksējas. Ja redzams attēlā parādītais sarkanais krāsas indikators, tas nozīmē, ka tas nav pilnīgi nofiksēts.

**⚠UZMANĪBU:** Vienmēr ievietojiet akumulatora kasetni tā, lai sarkanais indikators nebūtu redzams. Pretējā gadījumā tā var nejaushi izkrist no darbarīka un izraisīt jums vai apkārteijem traumas.

**⚠UZMANĪBU:** Neievietojiet akumulatora kasetni ar spēku. Ja kasetne neslīd ietvarā viegli, tā nav pareizi ielikta.













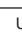

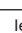




## Atlikušās akumulatora jaudas indikators

Tikai akumulatora kasetnēm ar indikatoru

► **Att.2:** 1. Indikatora lampas 2. Pārbaudes poga

Nospiediet akumulatora kasetnes pārbaudes pogu, lai pārbaudītu akumulatora atlikušo uzlādes līmeni. Indikatoru iedegsies uz dažām sekundēm.

Indikatora lampas				Atlikušī jauda
				
Iedegies	Izslēgts	Mirgo		
				No 75% līdz 100%
				No 50% līdz 75%
				No 25% līdz 50%
				No 0% līdz 25%
				Uzlādējiet akumulatoru.
				Iespējama akumulatora kļūme.
				

**PIEZĪME:** Reālā jauda var nedaudz atšķirties no norādītās atkarībā no lietošanas apstākļiem un apkārtējās temperatūras.

**PIEZĪME:** Akumulatora aizsardzības sistēmas darbības laikā mirgo pirmais (kreisais malējais) indikators.

## Darbarīka/akumulatora aizsardzības sistēma

Darbarīks ir aprīkots ar darbarīka/akumulatora aizsardzības sistēmu. Šī sistēma automātiski izslēdz jaudas padevi motoram, lai pagarinātu darbarīka un akumulatora kalpošanas laiku. Darbarīks automātiski pārstās darboties ekspluatācijas laikā, ja darbarīku vai akumulatoru pakļaus kādam no šiem apstākļiem. Dažu apstākļu gadījumā izgaismojas indikatori.

### Aizsardzība pret pārslodzi

Ja darbarīku/akumulatoru lieto tā, ka tas patērē pārmērīgi lielu strāvas daudzumu, darbarīks automātiski pārstāj darboties un mirgo darbības indikatorlampiņa. Šādā gadījumā izslēdziet darbarīku un pārtrauciet darbību, kas izraisīja darbarīka pārslodzi. Pēc tam ieslēdziet darbarīku, lai atsāktu darbu.

### Aizsardzība pret pārkaršanu

Kad darbarīks/akumulators ir pārkaris, darbarīks automātiski pārstāj darboties un mirgo darbības indikatorlampiņa. Šādā gadījumā pirms darbarīka atkārtotas ieslēgšanas ļaujiet tam atdzist.

## Aizsardzība pret akumulatora pārmērīgu izlādi

Kad atlikušī akumulatora jauda ir zema, darbarīks automātiski pārstāj darboties. Ja darbarīks nedarbojas atbilstoši slēdžu darbībai, izņemiet akumulatoru no darbarīka un uzlādējiet to.

## Aizsardzība pret citiem cēloņiem

Aizsardzības sistēma ir paredzēta arī pret citiem cēloņiem, kas varētu radīt darbarīka bojājumus, un nodrošina automātisku darbarīka apturēšanu. Ja darbarīka darbība ir īslaicīgi apstājusies vai tas pārstājis darboties, veiciet visas tālāk norādītās darbības, lai novērstu cēloņus.

1. Izslēdziet un ieslēdziet darbarīku, lai to no jauna iedarbinātu.
2. Uzlādējiet akumulatoru(-s) vai nomainiet to(-s) ar uzlādētu(-iem) akumulatoru(-iem).
3. Ļaujiet darbarīkam un akumulatoram(-iem) atdzist.

Ja pēc aizsardzības sistēmas atjaunošanas nav uzlabojumu, sazinieties ar vietējo Makita tehnikās apkopes centru.

## Slēdža darbība

**⚠️BRĪDINĀJUMS:** NEKAD nelietojiet darbarīku, ja tas ieslēdzas, tikai pavelkot slēdža mēlīti un nospiežot atbloķēšanas pogu. Slēdzis, ko nepieciešams labot, var izraisīt neparedzētu darbību un radīt nopietnus ievainojumus. PIRMS turpmākas ekspluatācijas nododiet darbarīku Makita apkopes centrā, lai to atbilstīgi saremontētu.

**⚠️BRĪDINĀJUMS:** NEKAD neizjauciet atbloķēšanas pogu, to neaplīmējiet un citādāk nepāveidojiet. Slēdzis ar izjauktu atbloķēšanas pogu var izraisīt neparedzētu darbību un radīt smagas traumas.

**⚠️UZMANĪBU:** Pirms akumulatora kasetnes uzstādīšanas darbarīkā vienmēr pārbaudiet, vai slēdža mēlīte darbojas pareizi un pēc atlaišanas atgriežas stāvoklī „OFF” (izslēgts).

**⚠️UZMANĪBU:** Nospiediet slēdža mēlīti ar spēku, ja nav nospiesta bloķēšanas poga. Tā var sabojāt slēdzi.

**⚠️UZMANĪBU:** Darbarīks sāk palēnināt ripas griešanos uzreiz pēc slēdža mēlītes atlaišanas. Turiet darbarīku stingri, lai reaģētu uz bremzes iedarbību, kad tiek atlaista slēdža mēlīte. Pēkšņa inerces reakcija var izraisīt darbarīka izlaišanu no rokas un radīt ievainojumus.

Lai novērstu nejaušu slēdža mēlītes piespiešanu, darbarīks ir aprīkots ar bloķēšanas pogu. Lai ieslēgtu darbarīku, turiet nospiestu bloķēšanas pogu un pēc tam nospiediet slēdža mēlīti. Lai apturētu darbarīku, atlaidiet slēdža mēlīti.

► **Att.3:** 1. Slēdža mēlīte 2. Bloķēšanas poga

## Ripas izvēle

**⚠UZMANĪBU:** Piederuma nominālajam ātrumam jābūt vismaz identiskam ar maksimālo ātrumu, kas atzīmēts uz mehānizētā darbarīka. Piederumi, kas griežas ātrāk par nominālo ātrumu, var salūzt un tikt izsviesti.

**⚠UZMANĪBU:** Ripas jāizmanto tikai tām paredzētajiem darbiem.

Izvēlieties vienu no piemērotākajiem griezējripu veidiem atbilstoši paredzētajam lietojumam.

Ripas veids	Praktiskais lietojums
Griezējripa	Tērauda, nerūsošā tērauda, metālu griešana
Volframa karbīda graudainā ripa	Plastmasas, ģipša, kompozītmateriālu griešana
Dimanta ripa	Fližu, keramikas griešana

## Ripas griešanās virziens

**⚠UZMANĪBU:** Pirms sākat strādāt, vienmēr pārbaudiet griešanās virzienu.

**⚠UZMANĪBU:** Griešanās virziena pārslēdzēju izmantojiet tikai pēc darbarīka pilnīgas apstāšanās. Pēkšņa griešanās virziena maiņa darbības laikā izraisa strauju darbarīka apstāšanos drošības apsvērumu dēļ.

Ripas griešanās virzienu var mainīt uz priekšu vai atpakaļ.

Lai iestāfītu griešanās virzienu uz priekšu, pabīdiat griešanās virziena pārslēdzēju pa kreisi, līdz uz slēdža redzams «F».

Lai izvēlētos griešanās virzienu atpakaļ, pabīdiat griešanās virziena pārslēdzēju pa labi, līdz uz slēdža redzams «R».

► **Att.4:** 1. Griešanās virziena pārslēdzējs

Skaidas, gruzi, dzirksteles un griezējriņas daļiņas mēdz lidot ripas griešanās pieskares virzienā. Izmantojiet ripas aizsargu efektīvi, lai izvairītos no ilgstošas saskares ar griešanas rezultātā radītajām daļiņām, jo aizsargs var palīdzēt izmest daļu radīto putekļu un daļiņu citā virzienā.

Reakcija uz krasu rotējošās ripas apstāšanos var padarīt darbarīku nevadāmu, raujot to ripas griešanās virzienā pretējā virzienā.

### Griešanās uz priekšu

► **Att.5:** 1. Nogrieztās daļiņas 2. Reakcija

### Griešanās atpakaļ

► **Att.6:** 1. Nogrieztās daļiņas 2. Reakcija

## Ripas aizsargs

**⚠UZMANĪBU:** Pirms griešanas darbības pārlicinieties, vai ripas aizsargs ir pareizi un stingri novietots aiz griezējriņas.

Atbilstoši darba apstākļiem un vēlmēm nostipriniet ripas aizsargu ērtā pozīcijā, lai panāktu maksimālu drošību un līdz minimumam samazinātu iespējamus riska faktoros.

### Novietošana griešanās virzienam uz priekšu

► **Att.7:** 1. Ripas aizsargs 2. Griezējripa

### Novietošana griešanās virzienam atpakaļ

► **Att.8:** 1. Ripas aizsargs 2. Griezējripa

## Vārpstas bloķētājs

Nospiediet vārpstas bloķētāju, lai novērstu vārpstas griešanos griezējriņas uzstādīšanas un noņemšanas laikā.

► **Att.9:** 1. Vārpstas bloķētājs

**IEVĒRĪBAI:** Nekad neieslēdziet vārpstas bloķētāju, kad griežas vārpsta. Tas var sabojāt darbarīku.

## Darbības indikatorlampiņa

**⚠UZMANĪBU:** Neskatieties gaismā, neļaujiet tās avotam iespīdēt acīs.

Lai ieslēgtu darbības indikatorlampiņu, nospiediet un turiet bloķēšanas pogu un nospiediet slēdža mēlīti. Lampiņa izslēdzas apmēram 15 sekundes pēc slēdža mēlītes atlaišanas.

► **Att.10:** 1. Darbības indikatorlampiņa

**IEVĒRĪBAI:** Ja darbarīks tiek pakļauts pārmērīgai slodzi, mirgo darbības indikatorlampiņa. Šādā gadījumā atļaidiet slēdža mēlīti un pēc tam samaziniet darbarīka slodzi pirms atkārtotas lietošanas.

**IEVĒRĪBAI:** Ja darbarīks ir pārkaršis, mirgo darbības indikatorlampiņa. Šādā gadījumā atļaidiet slēdža mēlīti un pēc tam atdzesējiet darbarīku/akumulatoru pirms tā atkārtotas lietošanas.

**PIEZĪME:** Ar sausu lupatiņu notīriet netīrumus no lampas lēcas. Izvairieties saskrāpēt lampas lēcu, jo tādejādi tiek samazināts apgaismojums.

## Griezuma dziļuma regulēšana

**⚠UZMANĪBU:** Pēc griešanas dziļuma noregulēšanas vienmēr cieši pievelciet spārnskrūvi.

Kad ir uzstādīts putekļu savākšanas pārsegs, iespējams veikt precīzu griešanas dziļuma regulēšanu līdz pat 13,5 mm.

Atbrīvojiet dziļuma skalas spārnskrūvi. Paceliet vai nolaidiet darbarīka rokturi vajadzīgajā pozīcijā, lai savietotu dziļuma indikatoru uz pārsega ar vēlamo griešanas dziļumu uz skalas. Pēc tam pievelciet spārnskrūvi.

► **Att.11:** 1. Spārnskrūve 2. Dziļuma skala 3. Dziļuma indikators

**⚠UZMANĪBU:** Lai nodrošinātu tīru un drošu griešanu, iestatiet griešanas dziļumu tā, lai griezējriņa pārsniegtu apstrādājamā materiāla apakšējo virsmu par 2,0 mm vai mazāk. Iestatīt pareizu griešanas dziļumu, iespējams samazināt bīstamus atsitienus, kas var radīt traumas.

## Mērķēšana garengriešanai

Kad ir uzstādīts putekļu savākšanas pārsegs, taisnas griešanas darbību viegli var veikt, novietojot griezējripu griešanas virzienā pirms faktiskās griešanas darbības.

Vadīšanas ierobežo putekļu savākšanas pārsegā savietojiet ar paredzēto griešanas līniju uz apstrādājamā materiāla.

► **Att.12:** 1. Virzošais ierobs 2. Pamatne 3. Griešanas līnija

## Putekļsūcēja pievienošana

### Papildpiederums

Ja vēlaties veikt tīru griešanas darbību, darbarīka putekļu savākšanas pārsega uzgalim pievienojiet „Makita” putekļsūcēju, izmantojot priekšējās uznavas 22 (papildpiederums).

► **Att.13:** 1. Priekšējās uznavas 22 2. Putekļsūcēja uzgalis 3. Šūtene 4. Putekļsūcējs

## Nejaušas atkārtotas ieslēgšanas nepieļaušanas funkcija

Ja akumulatora kasetnes uzstādīšanas brīdī ir nospiesta slēdža mēlīte, darbarīks nesāk darboties. Lai iedarbinātu darbarīku, vispirms atlaidiet slēdža mēlīti. Turiet nospiestu bloķēšanas pogu un pēc tam nospiediet slēdža mēlīti.

## Elektronika

Lai atvieglotu lietošanu, darbarīks ir aprīkots ar elektroniskām funkcijām.

- Elektrobremze  
Darbarīks ir aprīkots ar elektrobremzi. Ja darbarīks regulāri neapstājas uzreiz pēc slēdža mēlītes atlaišanas, nododiet darbarīku Makita apkopes centrā, lai to salabotu.
- Nemainīga ātruma vadība  
Ātruma vadības funkcijas nodrošina nemainīgu griešanās ātrumu neatkarīgi no slodzes.
- Aktīvās reakcijas tehnoloģija (Active Feedback sensing Technology)  
Darbarīks elektroniski nosaka stāvokli, kad ripa vai piederums var iesprūst. Šādā gadījumā darbarīks automātiski izslēdzas, lai vārpsta vairs negrieztos (taču tas nenovērš atslēgšanu).  
Lai atkārtoti ieslēgtu darbarīku, vispirms to izslēdziet, novērsiet darbarīka ātruma pēkšņās samazināšanās iemeslu un tad atkal ieslēdziet darbarīku.

## MONTĀŽA

**⚠UZMANĪBU:** Pirms darbarīka regulēšanas vai apkopes vienmēr pārliecinieties, ka darbarīks ir izslēgts un akumulatora kasetne ir izņemta.

## Sešstūru uzgriežņu atslēgas uzglabāšana

Kad sešstūrveida uzgriežņu atslēga netiek lietota, glabājiet to, kā parādīts, lai atslēgu nepazaudētu.

► **Att.14:** 1. Sešstūru uzgriežņu atslēga

## Griezējripas izņemšana un uzstādīšana

**⚠UZMANĪBU:** Lai noņemtu un uzstādītu griezējripu, izmantojiet tikai Makita sešstūru uzgriežņu atslēgu, kas iekļauta komplektācijā.

**⚠UZMANĪBU:** Uzstādot griezējripu, pārbaudiet, vai skrūve ir cieši pievilkota.

**IEVĒRĪBAI:** Lai panāktu optimālu veiktspēju, uzstādot griezējripu, vienmēr gādājiet, lai bultiņās uz ripas būtu vērstas jūsu vēlamajā ripas griešanās virzienā.

Lai noņemtu griezējripu, nospiediet vārpstas bloķētāju līdz galam tā, lai griezējripa nevarētu griezties, un ar uzgriežņu atslēgu pretēji pulkstenrādītāju kustības virzienam atskrūvējiet sešstūrgalvas skrūvi. Pēc tam noņemiet sešstūrgalvas skrūvi, ārējo atloku un griezējripu.

► **Att.15:** 1. Vārpstas bloķētājs 2. Sešstūru uzgriežņatslēga 3. Sešstūru bultskrūve 4. Atskrūvēt valjīgāk 5. Pievilkt

**IEVĒRĪBAI:** Ja iekšējais atloks ir noņemts, uzstādiet to atpakaļ uz vārpstas ar ripas stiprinājuma daļu uz augšu.

Lai uzstādītu griezējripu, izpildiet darbības noņemšanai pretējā secībā.

► **Att.16:** 1. Sešstūru galvas skrūve 2. Ārējais atloks 3. Griezējripa 4. Iekšējais atloks 5. Vārpsta

## Putekļu savākšanas pārsega pievienošana un noņemšana

**⚠UZMANĪBU:** Pirms lietošanas pārbaudiet, vai aizturis droši fiksē ripas aizsargu putekļu savākšanas pārsega iekšpusē.

**⚠UZMANĪBU:** Neizmantojiet putekļu savākšanas pārsegu tādai metāla apstrādei, kas rada karstumu un lidojošas dzirksteles, jo tā var izkausēt putekļu savākšanas pārsega plastmasas daļas.

Putekļu savākšanas pārsegs veicina drošu un efektīvu griešanu, nodrošinot aizsardzību pret rotējošo ripu, griešanas stabilitāti, precīzu griešanas dziļuma kontroli un putekļu aizvākšanas risinājumu, jo īpaši griežot flīzes, ģipsi, akmeni.

## Putekļu savākšanas pārsega uzstādīšana

1. Atskrūvējiet valīgāk spārnskrūvi uz putekļu savākšanas pārsega dziļuma skalas. Paceliet pārsegu līdz galam uz augšu un pēc tam pievelciet spārnskrūvi, lai nostiprinātu putekļu savākšanas pārsegu paceltā pozīcijā.

► **Att.17:** 1. Spārnskrūve 2. Dziļuma skala 3. Putekļu savākšanas pārsegs

2. Iestātiēt ripas aizsargu uz darbarīka griešanās virzienam uz priekšu.

► **Att.18:** 1. Ripas aizsargs

3. Mazliet paceliet darbarīka rokturi un leņķī ievietojiet ripas aizsarga priekšpusi putekļu savākšanas pārsegā, izlaižot griezējriņas apakšu caur ripai paredzēto spraugu pamatnē.

► **Att.19:** 1. Ripas aizsargs 2. Putekļu savākšanas pārsegs 3. Griezējriņa 4. Ripas sprauga

4. Ievietojiet ripas aizsarga aizmugures daļu putekļu savākšanas pārsegā, nolaižot darbarīka rokturi no paceltās pozīcijas zemākajā pozīcijā.

► **Att.20:** 1. Ripas aizsargs 2. Putekļu savākšanas pārsegs

5. Vēlreiz paceliet darbarīka rokturi, lai uzāķētu ripas aizsarga aizmugures malu uz aiztura putekļu savākšanas pārsega iekšpusē.

► **Att.21:** 1. Ripas aizsargs 2. Aizturis

6. Atskrūvējiet valīgāk spārnskrūvi. Virziet darbarīku augšup un leju līdz vēlamajam griešanas dziļumam. Pēc tam pievelciet spārnskrūvi, lai nostiprinātu darbarīku vietā.

## Putekļu savākšanas pārsega noņemšana

1. Atskrūvējiet valīgāk spārnskrūvi uz putekļu savākšanas pārsega dziļuma skalas. Paceliet darbarīka rokturi līdz galam uz augšu un pēc tam pievelciet spārnskrūvi, lai nostiprinātu putekļu savākšanas pārsegu paceltā pozīcijā.

► **Att.22:** 1. Spārnskrūve 2. Dziļuma skala 3. Putekļu savākšanas pārsegs

2. Pabīdiēt atlaišanas sviru spārnskrūves virzienā, lai atbrīvotu ripas aizsargu no aiztura putekļu savākšanas pārsega iekšpusē.

► **Att.23:** 1. Atlaišanas svira 2. Spārnskrūve 3. Ripas aizsargs 4. Putekļu savākšanas pārsegs 5. Aizturis

3. Izņemiet ripas aizsarga aizmugures daļu no putekļu savākšanas pārsega, nolaižot darbarīka rokturi no paceltās pozīcijas zemākajā pozīcijā.

► **Att.24:** 1. Ripas aizsargs 2. Putekļu savākšanas pārsegs

4. Pavecliet ripas aizsarga priekšpusi prom no putekļu savākšanas pārsega leņķī mazliet uz augšu un uz āru.

► **Att.25:** 1. Ripas aizsargs 2. Putekļu savākšanas pārsegs

## EKSPLUATĀCIJA

**⚠UZMANĪBU:** Lietošanas laikā vienmēr stingri turiet darbarīku.

**⚠UZMANĪBU:** Nelietojiet darbarīku ar spēku. Pārmērīgs spēks vai spiedienu uz darbarīku, kā arī ripas liekšana vai saspišana griezumā var izraisīt motora pārkaršanu un bīstamu darbarīka atsitieni.

**⚠UZMANĪBU:** Griežot plastmasu, gādājiet, lai nepārkarsētu griezējripi. Tā rezultātā apstrādājama materiāls var izkust.

**⚠UZMANĪBU:** Uzsākot griešanu un lietošanas laikā virziet griezējripi bez atsitieniem un palēcieniem.

**⚠UZMANĪBU:** Darba laikā vienmēr lietojiet aizsargbrilles vai sejas aizsargu.

**⚠UZMANĪBU:** Pēc darba pabeigšanas vienmēr izslēdziet darbarīku un uzgaidiet, līdz ripa pilnīgi apstājas, pirms noliekat darbarīku.

## Griešana uz leju

**IEVĒRĪBAI:** Ar atbilstošu rūpību izmantojiet efektīvu ripas griešanas virsmu, lai izvairītos no saskares ar nogrieztajām daļiņām.

**IEVĒRĪBAI:** Saglabājiet griezējriņas taisnu pozīciju apstrādājamajā materiālā, centieties nesavērt un nesaliekt darbarīku griešanas laikā.

Pareizi novietojiet ripas aizsargu, lai nodrošinātu maksimālu aizsardzību pret dzirkstelēm un valīgām daļiņām, kas tiek izsviestas no griezējriņas. Novietojiet darbarīku virs apstrādājamā materiāla tā, lai griezējriņa ar to nesaskartos. Ieslēdziet darbarīku un uzgaidiet, līdz griezējriņa sasniedz pilnu griešanās ātrumu. Pēc tam lēni nolaidiet darbarīku virs apstrādājamā materiāla virsmas, virzot to lēni, atbilstoši lietojumam.

### Griešanās uz priekšu

► **Att.26**

### Griešanās atpakaļ

► **Att.27**

## Garengriešana

**⚠UZMANĪBU:** Gādājiet, lai griezējriņa vienmēr darbotos virzienā uz augšu. Pretējā gadījumā tā var izraisīt nekontrolētu darbarīka spiešanu ārā no griezuma.

**IEVĒRĪBAI:** Saglabājiet taisnu griešanas līniju un izmantojiet vienmērīgu spiedienu, lai iegūtu vienmērīgu griezumu visā apstrādājamā materiāla garumā.

Uzlieciet putekļu savākšanas pārsega pamatnes plāksni uz apstrādājamā materiāla tā, lai griezējriņa ar to nesaskartos. Ieslēdziet darbarīku un uzgaidiet, līdz griezējriņa sasniedz pilnu griešanās ātrumu. Pēc tam lēnām pārvietojiet darbarīku pa apstrādājamo materiālu, turot to paralēli virsmai un lēni virzot to uz priekšu, līdz griešana ir pabeigta.

Izvēlieties griešanās virzienu atpakaļ, ja griežat, stumjot darbarīku, un griešanās virzienu uz priekšu, ja griežat, velkot darbarīku.

**Griešana, stumjot darbarīku, ar griešanās virzienu atpakaļ**  
► Att.28

**Griešana, velkot darbarīku, ar griešanās virzienu uz priekšu**  
► Att.29

**PIEZĪME:** Ņemiet vērā, ka putekļu savākšanas pārsegs parasti darbojas mazāk efektīvi, ja griešanu veic, velkot darbarīku, jo dažas nogrieztās daļiņas pārsegā izplatās pretēji putekļu aizvākšanas plūsmai.

## APKOPE

**⚠UZMANĪBU:** Pirms darbarīka pārbaudes vai apkopes vienmēr pārlicinieties, ka darbarīks ir izslēgts un akumulatora kasetne ir izņemta.

**IEVĒRĪBAI:** Nekad neizmantojiet gazolinu, benzīnu, atšķaidītāju, spirtu vai līdzīgus šķidrumus. Tas var radīt izbalēšanu, deformāciju vai plaisas.

Lai saglabātu izstrādājuma DROŠU un UZTICAMU darbību, remontdarbus, apkopi un regulēšanu uzticiet veikt tikai Makita pilnvarotam vai rūpnīcas apkopes centram, un vienmēr izmantojiet tikai Makita rezerves daļas.

## Dimanta ripas izlīdzināšana

Ja dimanta ripas darbība sāk pasliktināties, izlīdziniet to ar vecu un nolietotu raupja smilšpapīra slīpmašīnas ripu vai betona bloku. Lai to paveiktu, cieši piestipriniet slīpmašīnas ripu vai betona bloku un iegrieziet tajā.

## Pēc lietošanas

Iztīriet darbarīka iekšpusē esošos netīrumus, kādu laiku darbinot to tukšgaitā. Ja motorā uzkrājušies netīrumi, darbarīks var sākt darboties nepareizi.

## Ripas aizsarga un putekļu savākšanas pārsega tīrīšana

Regulāri iztīriet ripas aizsarga un putekļu savākšanas pārsega iekšpusi. Izpūtiet vai aizslaukiet visus gruzus un putekļus, kas tur uzkrājušies.

► Att.30: 1. Ripas aizsargs 2. Putekļu savākšanas pārsegs

## Gaisa ventilācijas atveru tīrīšana

Regulāri iztīriet gaisa kanālus darbarīkā, lai nodrošinātu netraucētu gaisa cirkulāciju. Noņemiet putekļu pārsegu no iepļūdes atveres un iztīriet to, kad tas kļūst netīrs un aizsprostots.

► Att.31: 1. Putekļu aizsargs 2. Iepļūdes atvere

## PAPILDU PIEDERUMI

**⚠UZMANĪBU:** Šādi piederumi un papildierīces tiek ieteiktas lietošanai ar šajā rokasgrāmatā aprakstīto Makita darbarīku. Izmantojot citus piederumus vai papildierīces, var tikt radīta traumu gūšanas bīstamība. Piederumu vai papildierīci izmantojiet tikai paredzētajam mērķim.

Ja jums vajadzīga palīdzība vai precīzāka informācija par šiem piederumiem, vērsieties savā tuvākajā Makita apkopes centrā.

- Griezējripa
- Dimanta ripa
- Volframa karbīda graudainā ripa
- Sešstūra atslēga
- Makita oriģinālais akumulators un lādētājs

**PIEZĪME:** Daži sarakstā norādītie izstrādājumi var būt iekļauti instrumenta komplektācijā kā standarta piederumi. Tie dažādās valstīs var būt atšķirīgi.

## SPECIFIKACIJOS

<b>Modelis:</b>		<b>DMC300</b>
Išorinis disko skersmuo		76 mm
Vidinės disko kiaurymės skersmuo		10,0 mm / 9,5 mm (3/8") (priklauso nuo valstybės)
Didž. disko storis		1,0 mm
Maks. pjovimo galia	Su dulkių surinkimo dangčiu	13,5 mm
	Be dulkių surinkimo dangčio	16,0 mm
Vardinis greitis (n) / jokio apkrovos greičio (n <sub>0</sub> )		20 000 min <sup>-1</sup>
Bendrasis ilgis		271 mm *1
Vardinė įtampa		Nuol. sr. 18 V
Grynas svoris		1,2–1,7 kg

\*1. Su akumuliatoriaus kasete (BL1860B) / be dulkių surinkimo dangčio

- Atliekame tęstinius tyrimus ir nuolatos tobuliname savo gaminius, todėl čia pateikiamos specifikacijos gali būti keičiamos be įspėjimo.
- Įvairiose šalyse specifikacijos ir akumuliatoriaus kasetė gali skirtis.
- Svoris gali priklausyti nuo priedo (-ų), įskaitant akumuliatoriaus kasetę. Lengviausias ir sunkiausias deriniai pagal EPTA 2014 m. sausio mėn. procedūrą yra parodyti lentelėje.

## Tinkama akumuliatoriaus kasetė ir (arba) įkroviklis

Akumuliatoriaus kasetė	BL1815N / BL1820B / BL1830B / BL1840B / BL1850B / BL1860B
Įkroviklis	DC18RC / DC18RD / DC18RE / DC18SD / DC18SE / DC18SF / DC18SH / DC18WC

- Atsižvelgiant į gyvenamosios vietos regioną, kai kurios pirmiau nurodytos akumuliatoriaus kasetės ir įkrovikliai gali būti neprieinami.

**⚠️ ĮSPĖJIMAS:** Naudokite tik akumuliatoriaus kasetes ir įkroviklius, kurie nurodyti anksčiau. Naudojant bet kurias kitas akumuliatoriaus kasetes ir įkroviklius, gali kilti sužeidimo ir gaisro pavojus.

## Numatytoji naudojimo paskirtis

Įrankis skirtas metaliniams, plastikiniams, keramikiniams, gipsiniams ir panašioms sudėtinių medžiagų lakštams, tvirtinimo detalėms, vamzdžiams, plytelėms bei sienoms pjauti nenaudojant vandens.

## Triukšmas

Įprastas triukšmo A lygis, nustatytas pagal EN60745-2-22:

Garso slėgio lygis (L<sub>PA</sub>): 88 dB (A)

Garso galios lygis (L<sub>WA</sub>): 99 dB (A)

Paklaida (K): 3 dB (A)

**PASTABA:** Paskelbta (-os) triukšmo reikšmė (-ės) nustatyta (-os) pagal standartinį testavimo metodą ir ji galima naudoti vienam įrankiui palyginti su kitu.

**PASTABA:** Paskelbta (-os) triukšmo reikšmė (-ės) taip pat gali būti naudojama (-os) norint preliminariai įvertinti triukšmo poveikį.

**⚠️ ĮSPĖJIMAS:** Dėvėkite ausų apsaugą.

**⚠️ ĮSPĖJIMAS:** Faktiškai naudojant elektrinį įrankį, keliamo triukšmo dydis gali skirtis nuo paskelbtos (-ų) reikšmės (-ių), priklausomai nuo būdų, kuriais yra naudojamas šis įrankis, ir ypač nuo to, kokio tipo ruošinys apdirbamas.

**⚠️ ĮSPĖJIMAS:** Siekdami apsaugoti operatorių, būtina įvertinkite saugos priemones, remdamiesi vibracijos poveikio įvertinimu esant faktinėms naudojimo sąlygoms (atsižvelgdami į visas darbo ciklo dalis, pavyzdžiui, ne tik kiek laiko įrankis veikia, bet ir kiek kartų jis yra išjungiamas bei kai jis veikia be apkrovų).

## Vibracija

Vibracijos bendroji vertė (triašio vektorius suma) nustatyta pagal EN60745-2-22 standartą:

Darbo režimas: betono pjovimas (storis: 5 mm)

Vibracijos emisija (a<sub>h</sub>): 3,0 m/s<sup>2</sup>

Paklaida (K): 1,5 m/s<sup>2</sup>

**PASTABA:** Paskelbta (-os) vibracijos bendroji (-osios) reikšmė (-ės) nustatyta (-os) pagal standartinį testavimo metodą ir ji galima naudoti vienam įrankiui palyginti su kitu.

**PASTABA:** Paskelbta (-os) vibracijos bendroji (-osios) reikšmė (-ės) taip pat gali būti naudojama (-os) norint preliminariai įvertinti vibracijos poveikį.

**⚠️ISPĖJIMAS:** Faktiškai naudojant elektrinį įrankį, keliamos vibracijos dydis gali skirtis nuo paskelbtos (-ų) reikšmės (-ių), priklausomai nuo būdų, kuriais yra naudojamas šis įrankis, ir ypač nuo to, kokio tipo ruošinys apdirbamas.

**⚠️ISPĖJIMAS:** Siekdami apsaugoti operatorių, būtina įvertinkite saugos priemones, remdamiės vibracijos poveikio įvertinimu esant faktinėms naudojimo sąlygoms (atsižvelgdami į visas darbo ciklo dalis, pavyzdžiui, ne tik kiek laiko įrankis veikia, bet ir kiek kartų jis yra išjungiamas bei kai jis veikia be apkrovų).

## EB atitikties deklaracija

### Tik Europos šalis

EB atitikties deklaracija yra pridama kaip šio instrukcijos vadovo A priedas.

## SAUGOS ĮSPĖJIMAI

### Bendrieji įspėjimai dirbant elektriniais įrankiais

**⚠️ISPĖJIMAS:** Perskaitykite visus saugos įspėjimus, instrukcijas, iliustracijas ir techninius duomenis, pateiktus kartu su šiuo elektriniu įrankiu. Nesilaikant visų toliau išvardytų instrukcijų galima patirti elektros smūgį, gali kilti gaisras ir (arba) galima sunkiai susižaloti.

## Įsaugokite visus įspėjimus ir instrukcijas, kad galėtumėte jas peržiūrėti ateityje.

Terminas „elektrinis įrankis“ pateiktuose įspėjimuose reiškia į maitinimo tinklą jungiamą (laidinį) elektrinį įrankį arba akumulatoriaus maitinamą (belaidį) elektrinį įrankį.

## Kompaktnio diskinio pjūklo saugos įspėjimai

1. Norint užtikrinti maksimalią saugą, pateiktą apsauginį skydą privaloma tvirtai pritvirtinti prie elektrinio įrankio, kad būtų neuždengta minimali disko dalis. Operatorius ir pašaliniai asmenys turi būti atokiai nuo besisukančio disko plokštumos. Apsauga padeda apsaugoti operatorių nuo atskilusių disko dalių ir netyčinio sąlyčio su disku.
2. Elektriniam įrankiui naudokite tik klijuotus sutvirtintus arba deimantinius nupjovimo diskus. Vien tai, kad priedą galima sumontuoti ant elektrinio įrankio, nereiškia, kad jis užtikrina saugų darbą.
3. Nominalusis priedo greitis turi būti bent jau lygus maksimaliam greičiui, nurodytam ant elektrinio įrankio. Priedai, kurie veikia greičiau už vardinį greitį, gali sulūžti ir atsiskirti.
4. Diskai turi būti naudojami tik pagal rekomenduojamą paskirtį. Pavyzdžiui, nešlifukokite nupjovimo disko šonu. Šlifuojantys nupjovimo diskai yra skirti periferiniam šlifavimui, todėl diskus veikiančios šoninės jėgos juos gali suskaldyti.
5. Visada naudokite tik nesugadintas diskų junges, kurių skersmuo tinkamas pasirinktam diskui. Tinkamos diskų jungės prilaiko diską, mažindamos disko trūkimo tikimybę.
6. Nenaudokite nusidėvėjusių sutvirtintų diskų nuo didesnių elektrinių įrankių. Didesniems elektriniams įrankiams skirti diskai netinka greičiau besisukančiam mažesniai įrankiui – jie gali trūkti.
7. Priedo išorinis skersmuo ir storis turi atitikti elektrinio įrankio pajėgumo kategoriją. Netinkamo dydžio priedų negalima tinkamai apsaugoti skydais ar valdyti.
8. Diskų ir jungių įspraudinių angų dydis turi tiksliai atitikti elektrinio įrankio ašį dydį. Naudojami diskai ir jungės su įspraudinėmis angomis, kurių dydis neatitinka elektrinio prietaiso dalių, prie kurių jie montuojami, dydžio, išbalansuos įrankį, sukels pernelyg didelę vibraciją, todėl kyla pavojus prarasti įrankio valdymą.
9. Nenaudokite pažeistų diskų. Kiekvieną kartą prieš pradėdami naudoti diskus, patikrinkite, ar juose nėra nuolaužų ir įtrūkimų. Jeigu elektrinis įrankis arba diskas buvo nustumas, patikrinkite, ar nėra pažeidimų arba naudokite nepažeistą diską. Patikrinę ir sumontavę diską, patys būkite ir aplinkiniams nurodykite būti toliau nuo besisukančio disko plokštumos ir paleiskite įrankį veikti didžiausiu nulines apkrovos greičiu 1 minutę. Paprastai sugadinti diskai tokio patikrinimo metu suskyla.
10. Naudokite asmenines apsaugos priemones. Visada naudokite klausos apsaugos priemones. Atsižvelgdami į pritaikymą, naudokite apsauginį veido skydelį arba apsauginius akinius. Kaip pridera, mūvėkite pirštines, dėvėkite dulkių kaukę ir dirbtuvės prijuostę, sulaukiančią smulkius abrazyvus ar ruošinio skeveldras. Akių apsaugos priemonės turi sulaukyti skriejančias nuolaužas, susidarančias atliekant įvairius darbus. Dulkių kaukė arba respiratorius turi tinkamai išfiltruoti dirbant susidariusias daleles. Dėl intensyvaus ilgalaikio triukšmo galima prarasti klausą.
11. Stebintieji turi būti toliau nuo darbo vietos. Kiekvienas, užimančias darbo vietą, turi dėvėti asmeninę apsaugos aprangą. Ruošinio ar sulūžusio disko skeveldros gali nuskrieti toliau ir sužeisti asmenis, esančius už darbinės zonos.
12. Atlikdami darbus, kurių metu pjovimo priedas galėtų užkliudyti nematomą laidą, laikykite elektrinį įrankį tik už izoliuotų paviršių. Pjovimo priedui prisilietus prie laido, kuriuo teka elektros srovė, neizoliuotos metalinės elektrinio įrankio dalys gali sukelti elektros smūgį operatoriui.
13. Niekada nepadėkite šio elektrinio įrankio, kol jo priedas nėra visiškai sustojęs. Greitai besisukantis diskas gali užkabinti paviršių ir jūs galite nebesuvaldyti elektrinio įrankio.
14. Nešant įrankį prie savo šono, jis turi būti išjungtas. Greitai besisukantis priedas gali atsitiktinai užkabinti jūsų drabužius ir jus sužaloti.

- Reguliariai išvalykite elektrinio įrankio oro ventiliacijos angas.** Varklio ventiliatorius traukia dulkes į korpuso vidų ir dėl per didelių metalo dulkių sankaupų gali kilti su elektros įranga susijęs pavojus.
- Nenaudokite elektrinio įrankio būdami netoliese degių medžiagų.** Nuo kibirkščių degiosios medžiagos gali užsidegti.
- Plokštes ar kitus per didelio dydžio ruošinius paremkite ir taip sumažinkite pavojų, kad diskas bus suspaustas ir atsöks.** Dideli ruošiniai linksta dėl savo pačių svorio. Ruošiniį reikia paremti iš abiejų disko pusių, šalia pjovimo linijos ir prie ruošinio krašto.
- Ypač būkite atsargūs įpjaudami sienas arba kitas aklines vietas.** Atsikūšęs diskas gali prapjauti dujų ar vandens vamzdžius, elektros laidus arba objektus, kurie gali sukelti atitraką.

#### Atitranka ir su ja susiję įspėjimai

Atitranka yra staigi reakcija į besisukančio disko sugnybimą arba užstrigimą. Suspaudimas arba sugriebimas sukelia staigų besisukančio disko sulaikymą, dėl kurio nevaldomas elektrinis įrankis sulaikymo taške verčiamas judėti priešinga disko sukimuisi kryptimi. Pavyzdžiui, jeigu šlifavimo diską suspaudžia ruošinys, disko kraštas, kuris patenka į suspaudimo tašką, gali įsikirsti į medžiagos paviršių ir dėl to diskas atsöks. Diskas gali atsokti į operatorių arba nuo jo; tai priklauso nuo disko sukimosi krypties suspaudimo metu. Šlifavimo diskas tokiomis sąlygomis gali ir sulūžti.

Atitranka yra piktnaudžiavimo elektriniu įrankiu ir (arba) netinkamų darbo procedūrų ar sąlygų rezultatas, jos galima išvengti vadovaujantis toliau nurodytomis atsargumo priemonėmis.

- Tvirtai laikykite elektrinį įrankį ir stovėkite taip, kad jūsų kūnas bei ranka netrukdytų priešintis atitrankos jėgoms. Visada naudokite papildomą rankeną, jei tokia yra, kad įjungimo metu galėtumėte maksimaliai valdyti atitraką ar sukamojo momento reakcijas.** Operatorius gali valdyti sukamojo momento reakciją bei atitrankos jėgą, jei imasi atitinkamų atsargumo priemonių.
- Niekada nelaikykite rankos šalia besisukančio priedo.** Priedas gali atsitrękti į jūsų ranką.
- Nestovėkite vienoje eilėje su besisukančiu disku.** Atitranka pastums įrankį priešinga disko sukimuisi kryptimi suspaudimo taške.
- Ypač saugokitės apdirbdami kampus, aštrius kraštus ir pan. Stenkitės priedo nesutrenkti ir neužkliudyti.** Besisukantis priedas gali užsikabinti ar atsitrękti į kampus, aštrius kraštus ir sukelti atitraką, o dėl to galima nebesuvaldyti įrankio.
- Nenaudokite pjūklo grandinės, medžio raizymo disko, segmentuoto deimantinio disko, jeigu šoninis tarpelis yra didesnis nei 10 mm, arba dantyto pjovimo disko.** Tokie diskai dažnai sukelia atitraką ir įrankio suvaldymo problemų.
- Nespauskite disko ir nenaudokite pernelyg didelio slėgio. Nemėginkite atlikti pernelyg gilių pjūvių.** Per stipriai spaudžiant, padidėja apkrova ir disko persikreipimo ar užstrigimo pjūvyje tikimybė bei atitrankos ar disko lūžimo galimybė.
- Kai diskas užstrigo arba kai pjovimas dėl kitų priežasčių nutraukiamas, išjunkite elektrinį įrankį ir nejudinkite jo, kol diskas visiškai nenustos suktis. Niekada nebandykite besisukančio disko traukti iš pjūvio, nes gali susidaryti atitranka. Ištrinkite ir imkitės tinkamų veiksmų, kad pašalintumėte disko užstrigimo priežastį.**
- Nepradėkite iš naujo pjauti, kai diskas ruošinyje. Leiskite, kad diskas pasiektų visą greitį ir tik tada atsargiai įleiskite jį į pjūvį.** Diskas gali įstrigti, išsokti arba atsokti, jeigu elektrinis įrankis bus iš naujo paleistas diskui esant ruošinyje.

- Prieš naudodami segmentuotą deimantinį diską, įsitikinkite, ar periferiniai tarpeliai tarp deimantinio disko segmentų yra 10 mm arba mažesni, tik neigiamo nuolydžio kampo.**

#### Papildomi saugos įspėjimai:

- Nemėginkite pjauti įrankiu, apvertę jį spaustuvoje.** Tai ypač pavojinga, todėl galima sunkiai susižeisti.
- Patikrinkite, ar ruošinys tinkamai prilaukomas.**
- Kai kuriose medžiagose gali būti nuodingų chemikalų. Saugokitės, kad neįkvėptumėte dulkių ir nesiliestumėte oda. Laikykites medžiagų tiekėjo saugos duomenų.**
- Saugokite diskus, atsižvelgdami į gamintojo rekomendacijas.** Netinkamai saugojant diskus, jie gali būti sugadinti.

## SAUGOKITE ŠIAS INSTRUKCIJAS.

**ĮSPĖJIMAS: NELEISKITE,** kad patogumas ir gaminio pažinimas (įgyjamas pakartotinai naudojant) susilpnintų griežtą saugos taisyklių, taikytinų šiam gaminiui, laikymąsi. Dėl NETINKAMO NAUDOJIMO arba saugos taisyklių, kurios pateiktos šioje instrukcijoje, nesilaikymo galima rimtai susižeisti.

## Svarbios saugos instrukcijos, taikomos akumulatoriaus kasetei

- Prieš naudodami akumulatoriaus kasetę, perskaitykite visas instrukcijas ir perspėjimus ant (1) akumuliatorių įkroviklio, (2) akumuliatorių naudojančio gaminio.**
- Neardykite ir negadinkite akumulatoriaus kasetės.** Dėl to ji gali užsidegti, per daug įkaisti arba sprogti.
- Jei įrankio darbo laikas žymiai sutrumpėjo, nedelsdami nutraukite darbą su įrankiu. Tai gali kelti perkaitimo, nudegimų ar net sprogo pavojų.**
- Jei elektrolitas pateko į akis, plaukite jas tyru vandeniu ir nedelsdami kreipkitės į gydytoją. Gali kilti regėjimo praradimo pavojus.**
- Neužtrumpinkite akumulatoriaus kasetės:**
  - Nelieskite kontaktų degiomis medžiagomis.**
  - Venkite laikyti akumulatoriaus kasetę kartu su kitais metaliniais daiktais, pavyzdžiui, vinimis, monetomis ir pan.**
  - Saugokite akumulatoriaus kasetę nuo vandens ir lietaus.**



Trumpasis jungimas akumulatoriuje gali sukelti stiprią srovę, perkaitimą, galimus nudegimus ar net akumulatoriaus gedimą.

6. Nelaikykite ir nenaudokite įrankio ir akumulatoriaus kasetės vietose, kur temperatūra gali pasiekti ar viršyti 50 °C (122 °F).
7. Nedeginkite akumulatoriaus kasetės, net jei yra stipriai pažeista ar visiškai susidėvėjusi. Ugnyje akumulatoriaus kasetė gali sprogti.
8. Akumulatoriaus kasetės nekalkite, nepjaustykite ir nemėtykite ir taip pat į ją netrankykite kietu daiktu. Taip elgiantis, ji gali užsidegti, per daug įkaisti arba sprogti.
9. Nenaudokite pažeisto akumulatoriaus.
10. Įdėtomis ličio jonų akumulatoriams taikomi Pavojaingų prekių teisės akto reikalavimai. Komeracinis transportas, pvz., trečiųjų šalių, prekių vežimo atstovų, turi laikytis specialaus reikalavimo ant pakuotės ir ženklavimo. Norėdami paruošti siųstiną prekę, pasitarkite su pavojingų medžiagų specialistu. Be to, laikykitės galimai išsamesnių nacionalinių reglamentų. Užklijuokite juosta arba padenkite atvirus kontaktus ir supakuokite akumuliatorių taip, kad ji pakuotėje nejudėtų.
11. Kai išmetate akumulatoriaus kasetę, išimkite ją iš įrankio ir išmeskite saugioje vietoje. Vadovaukitės vietos reglamentais dėl akumuliatorių išmetimo.
12. Baterijas naudokite tik su „Makita“ nurodytais gaminiais. Baterijas įdėjus į netinkamus gaminius gali kilti gaisras, gaminyje pernelyg įkaisti, kilti sprogimas arba pratekėti elektrolitas.
13. Jei įrankis bus ilgą laiką nenaudojamas, akumuliatorių būtina išimti iš įrankio.
14. Darbo metu ir po akumulatoriaus kasetės gali būti įkaitusi ir dėl to nudeginti. Įdėdami akumulatoriaus kasetes, būkite atsargūs.
15. Tuojau pat po naudojimo nelieskite įrankio gnybtų, nes jie gali būti įkaitę tiek, kad nudegins.
16. Neleiskite, kad į akumulatoriaus kasetės gnybtus, angas ir griovelius patektų drožlių, dulkių ar žemių. Jos gali sukelti kaitimą, užsidegti, sprogti ir sukelti įrankio ar akumulatoriaus kasetės gedimą, dėl ko galima nusideginti ar susižaloti.
17. Jeigu įrankis nėra pritaikytas naudoti šalia aukštos įtampės elektros linijų, akumulatoriaus kasetės nenaudokite šalia aukštos įtampės elektros linijų. Dėl to gali sutrikti įrankio ar akumulatoriaus kasetės veikimas arba jie gali sugesti.
18. Laikykite akumuliatorių vaikams nepasiekiamoje vietoje.

## SAUGOKITE ŠIAS INSTRUKCIJAS.

**▲PERSPĖJIMAS:** Naudokite tik originalų „Makita“ akumuliatorių. Neoriginalaus „Makita“ arba pakeisto akumulatoriaus naudojimas gali nulėmti gaisrą, asmens sužalojimą ir pažeidimą. Tai taip pat panaikina „Makita“ suteikiamą „Makita“ įrankio ir įkroviklio garantiją.

## Patarimai, ką daryti, kad akumuliatorių veikimą kuo ilgiau

1. Pakraukite akumulatoriaus kasetę prieš jai visiškai išsikraunant. Visuomet nustokite naudoti įrankį ir pakraukite akumulatoriaus kasetę, kai pastebite, kad įrankio galia sumažėjo.
2. Niekada nekraukite iki galo įkrautos akumulatoriaus kasetės. Perkraunant trumpėja akumulatoriaus eksploatacijos laikas.
3. Akumulatoriaus kasetę kraukite esant kambario temperatūrai 10 - 40 °C. Prieš pradėdami krauti, leiskite įkaitusiai akumulatoriaus kasetei atvėsti.
4. Kai akumulatoriaus kasetės nenaudojate, ją išimkite iš įrankio ar įkroviklio.
5. Įkraukite akumulatoriaus kasetę, jei jos nenaudojate ilgą laiką (ilgiau nei šešis mėnesius).

## VEIKIMO APRAŠYMAS

**▲PERSPĖJIMAS:** Prieš pradėdami reguliuoti arba tikrinti įrankio veikimą, visuomet būtina išjunkite įrankį ir išimkite akumulatoriaus kasetę.

## Akumulatoriaus kasetės uždėjimas ir nuėmimas

**▲PERSPĖJIMAS:** Prieš įdėdami arba išimdami akumulatoriaus kasetę, visada išjunkite įrankį.

**▲PERSPĖJIMAS:** Įdėdami arba išimdami akumulatoriaus kasetę, tvirtai laikykite įrankį ir akumulatoriaus kasetę. Jeigu įrankį ir akumulatoriaus kasetę laikysite netvirtai, jie gali išslysti iš jūsų rankų, todėl įrankis ir akumulatoriaus kasetė gali būti sugadinti, o naudotojas sužalotas.

► **Pav.1:** 1. Raudonas sandariklis (indikatorius) 2. Mygtukas 3. Akumulatoriaus kasetė

Jei norite išimti akumulatoriaus kasetę, ištraukite ją iš įrankio, stumdami mygtuką, esantį kasetės priekyje.

Jei norite įdėti akumulatoriaus kasetę, ant akumulatoriaus kasetės esantį liežuvelį sutapdinkite su korpuso esančiu grioveliu ir įstumkite į jai skirtą vietą. Įstatykite iki pat galo, kad spragtelėdama užsifiksuotų. Jeigu matote raudoną sandariklį (indikatorių), kaip parodyta paveikslėlyje, ji nėra visiškai užfiksuota.

**▲PERSPĖJIMAS:** Akumulatoriaus kasetę visada įkiškite iki galo, kol nebematysite raudono sandariklio (indikatoriaus) Priešingu atveju ji gali atsitiktinai iškristi iš įrankio ir sužeisti jus arba aplinkinius.

**▲PERSPĖJIMAS:** Nekiškite akumulatoriaus kasetės jėga. Jeigu kasetė sunkiai lenda, ją kiškite netinkamai.

## Likusios akumulatoriaus galios rodymas

### Tik akumulatoriaus kasetėms su indikatoriumi

► **Pav.2:** 1. Indikatorių lemputės 2. Tikrinimo mygtukas

Paspauskite akumulatoriaus kasetės tikrinimo mygtuką, kad būtų rodoma likusi akumulatoriaus energija. Maždaug trims sekundėms užsidegs indikatorių lemputės.

Indikatorių lemputės			Likusi galia
Šviečia	Nešviečia	Blyksi	
			75 - 100 %
			50 - 75 %
			25 - 50 %
			0 - 25 %
			Įkraukite akumuliatorių.
			Galimai įvyko akumulatoriaus veikimo triktis.

**PASTABA:** Rodmuo gali šiek tiek skirtis nuo faktinės energijos lygio – tai priklauso nuo naudojimo sąlygų ir aplinkos temperatūros.

**PASTABA:** Veikiant akumulatoriaus apsaugos sistemai ims mirksėti pirmoji (toliausiai kairėje) indikatoriaus lemputė.

## Įrankio / akumulatoriaus apsaugos sistema

Įrankyje įrengta įrankio / akumulatoriaus apsaugos sistema. Ši sistema automatiškai atjungia variklio maitinimą, kad įrankis ir akumulatorius ilgiau veiktų. Įrankis automatiškai išsijungs darbo metu esant vienai iš toliau nurodytų įrankio arba akumulatoriaus darbo sąlygų. Esant tam tikroms sąlygoms užsidega indikatoriai.

## Apsauga nuo perkrovos

Kai įrankis (akumulatorius) naudojamas taip, kad neįprastai padidėja elektros srovė, įrankis automatiškai išsijungia ir ima mirksėti darbinė lemputė. Tokiu atveju išjunkite įrankį ir nutraukite darbą, dėl kurio kilo įrankio perkrova. Tada vėl įjunkite įrankį.

## Apsauga nuo perkaitimo

Jeigu įrankis / akumulatorius perkaista, įrankis automatiškai išsijungia ir pradeda mirksėti darbinė lemputė. Tokiu atveju palaukite, kol įrankis atvės, paskui vėl jį įjunkite.

## Apsauga nuo visiško išsikrovimo

Žymiai sumažėjus likusiai akumulatoriaus galiai, įrankis automatiškai išsijungia. Jeigu įrankis neveikia net ir spaudžiant jungiklius, išimkite akumuliatorių iš įrankio ir įkraukite.

## Apsauga nuo kitų sutrikimų

Apsaugos sistema taip pat apsaugo nuo kitų sutrikimų, galinčių pažeisti įrankį, todėl automatiškai jį išjungia. Įrankiu laikinai sustojus arba veikimo metu išsijungus, imkitės visų toliau nurodytų veiksmų ir pašalinkite sutrikimo priežastis.

1. Išjunkite įrankį, tada vėl įjunkite, kad paleistumėte iš naujo.
2. Įkraukite akumuliatorių (-ius) arba jį (juos) pakeiskite įkrautu (-ais) akumuliatoriumi (-iais).
3. Palaukite, kol įrankis ir akumulatorius (-iai) atvės.

Jei atstaciaus apsaugos sistema veikimas nepagerėja, kreipkitės į vietos „Makita“ techninės priežiūros centrą.

## Jungiklio veikimas

**▲JSPĖJIMAS:** NIEKADA nenaudokite veikiančio įrankio, jeigu nuspaudėte tik gaiduką, nuspaudę atlaisvinimo mygtuko. Jungiklis, kurį reikia taisyti, gali netyčia įjungti įrankį ir operatorius gali būti sunkiai sužeistas. PRIEŠ pradėdami vėl naudoti įrankį, atiduokite jį suremontuoti į „Makita“ techninės priežiūros centrą.

**▲JSPĖJIMAS:** NIEKADA neužklijuokite atlaisvinimo mygtuko lipnia juostele ir nepanaikinkite jo funkcijos kitomis priemonėmis. Jungiklis su užblokuotu atlaisvinimo mygtuku gali netyčia įjungti įrankį ir operatorius gali būti sunkiai sužeistas.

**▲PERSPĖJIMAS:** Prieš montuodami akumulatoriaus kasetę įrankyje, visuomet patikrinkite, ar gaidukas tinkamai veikia ir atleistas grįžta į išjungimo padėtį „OFF“.

**▲PERSPĖJIMAS:** Negalima stipriai spausti gaiduko, nenuspaudus atlaisvinimo mygtuko. Taip galima sulaužyti jungiklį.

**▲PERSPĖJIMAS:** Įrankis iškart pradeda stabdyti diską, kai tik atleidžiate gaiduką. Atleisdami gaiduką tvirtai laikykite įrankį, kad galėtumėte reaguoti į stabdymą. Dėl staigios reakcijos įrankis gali iškristi iš jūsų rankos ir sužaloti.

Atlaisvinimo mygtukas neleidžia atsitiktinai paspausti gaiduko. Norėdami paleisti įrankį, nuspauskite ir palaiykite atlaisvinimo mygtuką, tada paspauskite gaiduką. Norėdami sustabdyti, gaiduką atleiskite.

► **Pav.3:** 1. Gaidukas 2. Atlaisvinimo mygtukas

## Disko pasirinkimas

**▲PERSPĖJIMAS:** Nominalusis priedo greitis turi būti bent jau lygus maksimaliam greičiui, nurodytam ant elektrinio įrankio. Priedai, kurie veikia greičiau už vardinį greitį, gali sulūžti ir atsiskirti.

**▲PERSPĖJIMAS:** Diskai turi būti naudojami tik pagal rekomenduojamą paskirtį.

Pasirinkite darbo pobūdį geriausiai atitinkančius pjovimo diskus.

Disko tipas	Praktinės paskirtys
Nupjovimo diskas	Plienui, nerūdijančiajam plienui ir metalams pjauti
Rupiu volframo karbidu padengtas diskas	Plastikui, gipsui ir sudėtinėms medžiagoms pjauti
Deimantinis diskas	Plytelėms ir keramikai pjauti

## Disko sukimosi kryptis

**⚠ PERSPĖJIMAS:** Prieš naudodami visuomet patikrinkite sukimosi kryptį.

**⚠ PERSPĖJIMAS:** Atbulinės eigos jungiklį naudokite tik įrankiuvi visiškai sustojus. Dirbant staigiai pakeitus judėjimo kryptį, įrankis saugos sumetimais staiga sustoja.

Diską galima nustatyti sukintis pirmyn arba atgal. Norėdami nustatyti sukimąsi pirmyn, nuslinkite atbulinės eigos jungiklį kairėn, kad ant jungiklio pasirodytų indikacija „F“. Norėdami nustatyti sukimąsi atgal, nuslinkite atbulinės eigos jungiklį dešinėn, kad ant jungiklio pasirodytų indikacija „R“.

► **Pav.4:** 1. Atbulinės eigos jungiklis

Skiedros, atplaišos, kibirkštys ir pjovimo dalelės paprastai nuskrįja besisukančio disko liestinės kryptimi. Tinkamai naudokite disko apsaugą, kad apsisaugotumėte nuo pastovaus nuopjovų dalelių srauto ir dalį pjovimo dulkių bei dalelių nukreiptumėte kita kryptimi.

Dėl reakcijos į staigų besisukančio disko sustojimą galima prarasti įrankio kontrolę priešinga disko sukimuisi kryptimi.

### Sukimasis pirmyn

► **Pav.5:** 1. Nuopjovų dalelės 2. Reakcija

### Sukimasis atgal

► **Pav.6:** 1. Nuopjovų dalelės 2. Reakcija

## Disko apsaugas

**⚠ PERSPĖJIMAS:** Prieš pradėdami dirbti, užtikrinkite, kad disko apsaugas būtų tinkamai ir tvirtai pritvirtintas už pjovimo disko.

Užfiksuokite disko apsaugą patogioje padėtyje, kad užtikrintumėte didžiausią saugą ir mažiausią galimų rizikų veiksmų poveikį, atsižvelgiant į jūsų darbo sąlygas ir pageidavimus.

### Nustatymas pirmyn

► **Pav.7:** 1. Disko apsaugas 2. Pjovimo diskas

### Nustatymas atgal

► **Pav.8:** 1. Disko apsaugas 2. Pjovimo diskas

## Ašies fiksatorius

Kai įrengiate ar nuimate pjovimo diską, paspauskite ašies fiksatorių, kad velenas nesisuktų.

► **Pav.9:** 1. Ašies fiksatorius

**PASTABA:** Niekada nejunkite ašies fiksatoriaus, kai velenas juda. Įrankis galis sugesti.

## Darbinė lemputė

**⚠ PERSPĖJIMAS:** Nežiūrėkite tiesiai į šviesą arba šviesos šaltinį.

Norėdami įjungti darbinę lemputę, paspauskite ir palaiykite atlaisvinimo mygtuką, tada patraukite gaiduką. Atleidus gaiduką, lemputė užgesa maždaug po 15 sekundžių.

► **Pav.10:** 1. Darbinė lemputė

**PASTABA:** Jei įrankis naudojamas esant pernelyg didelei apkrovai, ima mirksėti darbinė lemputė. Tokiu atveju prieš tęsdami darbą atleiskite gaiduką ir sumažinkite įrankio apkrovą.

**PASTABA:** Jei įrankis perkaista, pradeda mirksėti darbinė lemputė. Tokiu atveju atleiskite gaiduką ir prieš tęsdami darbą atvėsinkite įrankį (akumuliatorių).

**PASTABA:** Purvą nuo lempos objektyvo nuvalykite sausu skudurėliu. Būkite atsargūs, kad nesubraižytumėte lempos objektyvo, nes pablogės apšvietimas.

## Pjovimo gylio reguliavimas

**⚠ PERSPĖJIMAS:** Nustatę pjovimo gylį, visada gerai prisukite varžtą paplatinta galvute.

Įrengus dulkių surinkimo dangtį, galima tiksliai nustatyti pjovimo gylį (iki 13,5 mm).

Atlaisvinkite gylio skalės varžtą paplatinta galvute. Pakelkite arba nuleiskite įrankio rankeną į reikiamą padėtį, kad sulygiuotumėte ant dangčio esančius gylio indikatorius su skalėje nurodytu pageidaujamu pjovimo gyliu. Tada priveržkite varžtą paplatinta galvute.

► **Pav.11:** 1. Varžtas paplatinta galvute 2. Gylio skalė 3. Gylio indikatorius

**⚠ PERSPĖJIMAS:** Siekiant pjauti švariai ir saugiai, reikia nustatyti pjovimo gylį taip, kad pjovimo diskas būtų nustatytas iki 2,0 mm atstumu virš ruošinio paviršiaus. Nustačius tinkamą pjovimo gylį, mažėja pavojingos ir sužaloti galinčios atatraknos tikimybė.

## Nutaikymas tiesiam pjovimui

Įrengus dulkių surinkimo dangtį, tiesų pjovimą galima saugiai užtikrinti sulygiuojant pjovimo diską pjovimo kryptimi ir tada atliekant faktinį pjovimą.

Sulygiuokite kreipiamąjį įrantą, esančią dulkių surinkimo dangčio pagrindu, su planine ruošinio pjovimo linija.

► **Pav.12:** 1. Kreiptuvo įranta 2. Pagrindas 3. Pjovimo linija

## Dulkių siurblio prijungimas

### Pasirenkamasis priedas

Jei norite pjauti užtikrindami švarą, naudodami priekinius antgalius 22 (pasirinktinis priedas) prie dulkių surinkimo dangčio dulkių ištraukimo antgalio prijunkite „Makita“ dulkių siurbį.

► **Pav.13:** 1. Priekiniai antgaliai 22 2. Dulkių ištraukimo antgalis 3. Žarna 4. Dulkių siurblys

## Apsaugos nuo netyčinio įjungimo funkcija

Jei dedant akumuliatoriaus kasetę bus spaudžiamas gaidukas, įrankis nepaisileis.

Norėdami paleisti įrankį, pirmiausia atleiskite gaiduką. Paspauskite ir palaiykite atlaisvinimo mygtuką, tada paspauskite gaiduką.

## Elektroninė funkcija

Prietaise yra elektroninė funkcija paprastam naudojimui.

- **Elektrinis stabdiklis**  
Šiame įrankyje įrengtas elektrinis stabdiklis. Jeigu atleidus gaiduką įrankis nuolat greitai nesustoja veikti, nugabenkite įrankį į „Makita“ priežiūros centrą techninei apžiūrai atlikti.
- **Nuolatinis greičio reguliavimas**  
Greičio kontrolės funkcija užtikrina pastovų sukimosi greitį, nepriklausomai nuo apkrovos.
- **Aktyvaus grįžtamojo ryšio aptikimo technologija**  
Įrankio elektroniniai įtaisai aptinka situacijas, kuriose diskas arba priedas gali užstrigti. Tokiose situacijose įrankis automatiškai išsijungia, kad velenas nebūtų toliau sukamas (ši funkcija neapsaugo nuo atitransos). Norėdami iš naujo įjungti įrankį, pirmiausia išjunkite jį, pašalinkite staigaus užstrigimo priežastį, tada vėl įjunkite įrankį.

## SURINKIMAS

**▲ PERSPĖJIMAS:** Prieš darydami ką nors įrankiui visada patikrinkite, ar įrenginys išjungtas, o akumuliatorių kasetė – nuimta.

## Šešiabriaunio veržliarakčio laikymas

Nenaudojamą šešiabriaunį veržliarakčį laikykite taip, kaip parodyta paveikslėlyje, kad nepažeistumėte.

- **Pav.14:** 1. Šešiakampis veržliarakštis

## Pjovimo disko nuėmimas ir įrengimas

**▲ PERSPĖJIMAS:** Pjovimo diskui nuimti ir įrengti naudokite tik pateiktą „Makita“ šešiabriaunį raktą.

**▲ PERSPĖJIMAS:** Sumontavę pjovimo diską, patikrinkite, ar tvirtai užveržėte varžtą.

**PASTABA:** Įrengiant deimantinį diską ir siekiant didžiausio našumo, būtina užtikrinti, kad ant jo pateiktos rodyklės būtų nukreiptos pageidaujama disko sukimosi kryptimi.

- Norėdami nuimti pjovimo diską, iki galo nuspauskite veleno fiksatorių, kad pjovimo diskas negalėtų sukintis, ir šešiabriauniu raktu prieš laikrodžio rodyklę atsukite varžtą šešiabriaune lizdine galvute. Tada nuimkite varžtą šešiabriaune lizdine galvute, išorinę jungę ir pjovimo diską.
- **Pav.15:** 1. Veleno fiksatorius 2. Šešiakampis raktas 3. Varžtas su šešiabriaune lizdine galvute 4. Atlaisvinti 5. Priveržti

**PASTABA:** Jei vidinė jungė buvo nuimta, būtina sumontuoti ją atgal ant veleno taip, kad disko montavimo dalis būtų nukreipta aukštyn.

- Jei norite sumontuoti pjovimo diską, atlikite nuėmimo procedūrą atvirkštine tvarka.
- **Pav.16:** 1. Varžtas su šešiabriaune lizdine galvute 2. Išorinė jungė 3. Pjovimo diskas 4. Vidinė jungė 5. Velenas

## Dulkių surinkimo dangčio įrengimas ir nuėmimas

**▲ PERSPĖJIMAS:** Prieš pradėdami dirbti užtikrinkite, kad disko apsaugas būtų saugiai užfiksuotas stabdikliu dulkių surinkimo dangčio viduje.

**▲ PERSPĖJIMAS:** Nenaudokite dulkių surinkimo dangčio apdirbdami metalą, nes šio proceso metu išsiskiria šiluma, skrieja kibirkštys ir gali išsilydyti plastikiniai dulkių surinkimo dangčio komponentai.

Dulkių surinkimo dangtis užtikrina pjovimo saugą ir efektyvumą, užtikrindamas apsaugą nuo besisukančio disko, pjovimo stabilumą, tikslią pjovimo gylio kontrolę bei dulkių ištraukimo sprendimus, ypač pjaunant plyteles, gipsą ir akmenį.

## Dulkių surinkimo dangčio įrengimas

1. Atlaisvinkite dulkių surinkimo dangčio gylio skalės varžtą paplatinta galvute. Visiškai pakelkite dangtį ir priveržkite varžtą paplatinta galvute, kad užfiksuotumėte dulkių surinkimo dangtį pakėlimo padėtyje.

- **Pav.17:** 1. Varžtas paplatinta galvute 2. Gylio skalė 3. Dulkių surinkimo dangtis

2. Nustatykite disko apsaugą ant įrankio priekinėje padėtyje.

- **Pav.18:** 1. Disko apsaugas

3. Šiek tiek pakelkite įrankio rankeną ir nustatykite priekinę disko apsaugo pusę kampu į dulkių surinkimo dangtį, prakišdami pjovimo disko apatinę dalį pro disko plyšį pagrinde.

- **Pav.19:** 1. Disko apsaugas 2. Dulkių surinkimo dangtis 3. Pjovimo diskas 4. Disko plyšys

4. Sumontuokite galinę disko apsaugo pusę dulkių surinkimo dangtyje, nuleisdami įrankio rankeną iš pakėlimo padėties į nuleidimo.

- **Pav.20:** 1. Disko apsaugas 2. Dulkių surinkimo dangtis

5. Pakelkite įrankio rankeną vėl, kad užkabintumėte galinį disko apsaugo kraštą virš stabdiklio dulkių surinkimo dangtyje.

- **Pav.21:** 1. Disko apsaugas 2. Stabdiklis

6. Atlaisvinkite varžtą paplatinta galvute. Pasukite įrankį aukštyn ir žemyn, nustatydami į pageidaujimą pjovimo gylių. Tada priveržkite varžtą paplatinta galvute, kad užfiksuotumėte įrankį vietoje.

## Dulkių surinkimo dangčio nuėmimas

1. Atlaisvinkite dulkių surinkimo dangčio gylio skalės varžtą paplatinta galvute. Visiškai pakelkite įrankio rankeną ir priveržkite varžtą paplatinta galvute, kad užfiksuotumėte dulkių surinkimo dangtį pakėlimo padėtyje.

- **Pav.22:** 1. Varžtas paplatinta galvute 2. Gylio skalė 3. Dulkių surinkimo dangtis

2. Nuslinkite atlaisvinimo svirtelę link varžto paplatinta galvute, kad atrakintumėte disko apsaugą nuo stabdiklio dulkių surinkimo dangčio viduje.

- **Pav.23:** 1. Atlaisvinimo svirtelė 2. Varžtas paplatinta galvute 3. Disko apsaugas 4. Dulkių surinkimo dangtis 5. Stabdiklis

3. Išmontuokite galinę disko apsaugo pusę nuo dulkių surinkimo dangčio, nuleisdami įrankio rankeną iš pakėlimo padėties į nuleidimo.

► **Pav.24:** 1. Disko apsaugas 2. Dulkių surinkimo dangtis

4. Nutraukite priekinę disko apsaugo pusę nuo dulkių surinkimo dangčio, nustatę kampų šiek tiek aukštesnį ir išorėn.

► **Pav.25:** 1. Disko apsaugas 2. Dulkių surinkimo dangtis

## NAUDOJIMAS

**▲ PERSPĖJIMAS:** Dirbdami nuolat tvirtai laikykite įrankį.

**▲ PERSPĖJIMAS:** Nespauskite įrankio jėga. Jei bus naudojama jėga ar per didelis spaudimas ir diskas įpjovoje links, bus spaudžiamas ar sukamas, variklis gali perkaisti ir gali įvykti pavojinga įrankio atitranka.

**▲ PERSPĖJIMAS:** Pjudami plastiką, pasirūpinkite, kad pjovimo diskas neperkaistų. Kitaip ruošinys gali išsilydyti.

**▲ PERSPĖJIMAS:** Paleisdami arba dirbdami nedaužykite ir nestuksenkite pjovimo disko.

**▲ PERSPĖJIMAS:** Dirbdami visuomet dėvėkite apsauginius akinius arba apsauginį veido skydelį.

**▲ PERSPĖJIMAS:** Baigę darbą įrankį būtina išjunkite ir prieš jį padėdami palaukite, kol diskas visiškai sustos.

### Pjovimas žemyn

**PASTABA:** Naudokite tinkamą disko pjovimo paviršių, kad išvengtumėte nuopjovų dalelių poveikio.

**PASTABA:** Laikykite nustatę pjovimo diską tiesiai ant ruošinio ir pjudami nepakreipkite ir nesiūbuokite įrankio.

Nustatykite disko apsaugą tinkamai, kad užtikrintumėte didžiausią apsaugą nuo kibirkščių ir laisvų dalelių, kurias gali išsviesti pjovimo diskas. Nustatykite įrankį virš ruošinio, nepaliesdami pjovimo disku. Įjunkite įrankį ir palaukite, kol pjovimo diskas pradės sukintis visu greičiu. Tada lėtai nuleiskite įrankį ant ruošinio paviršiaus, spausdami vidutinę jėgą (pagal darbo pobūdį).

**Sukiamasis pirmyn**

► **Pav.26**

**Sukiamasis atgal**

► **Pav.27**

## Tiesus pjovimas

**▲ PERSPĖJIMAS:** Pjovimo diską visada stumkite kompensuodami pasipriešinimo jėgą. Priešingu atveju įrankis gali būti nekontroliuojamai išstumtas iš pjovos.

**PASTABA:** Pasirūpinkite, kad pjovimo linija būtų tiesi, ir spauskite tolygiai, kad vienodai nupjautumėte ruošinį.

Nustatykite dulkių surinkimo dangčio pagrindo plokštelę ant ruošinio, kad pjovimo diskas su ja nesiliestų. Įjunkite įrankį ir palaukite, kol pjovimo diskas pradės sukintis visu greičiu. Tada lėtai užstumkite įrankį virš ruošinio paviršiaus, laikydami plokščiai, ir tolygiai stumkite pirmyn, kol baigsite pjauti.

Pjudami stumiamojo pjovimo būdu pasirinkite sukimosi atgal kryptį, o traukiamojo pjovimo – sukimosi pirmyn.

**Stumiamasis pjovimas sukantis atgal**

► **Pav.28**

**Traukiamasis pjovimas sukantis pirmyn**

► **Pav.29**

**PASTABA:** Atminkite: dulkių surinkimo dangtis pjaunant traukiamojo pjovimo būdu veiks ne taip veiksmingai, nes dalis pjovimo dalelių pasklis dangčio viduje ir dulkių ištraukimo srautas jų nesutrauks.

## TECHNINĖ PRIEŽIŪRA

**▲ PERSPĖJIMAS:** Visuomet įsitinkinkite, ar įrankis yra išjungtas ir akumulatoriaus kasetė yra nuimta prieš atlikdami apžiūrą ir priežiūrą.

**PASTABA:** Niekada nenaudokite gazolino, benzino, tirpiklio, spirito arba panašių medžiagų. Gali atsirasti išblukimų, deformacijų arba įtrūkimų.

Kad gaminys būtų SAUGUS ir PATIKIMAS, jį taisyti, apžiūrėti ar vykdyti bet kokią kitą priežiūrą ar derinimą turi įgaliotasis kompanijos „Makita“ techninės priežiūros centras; reikia naudoti tik kompanijos „Makita“ pagamintas atsargines dalis.

### Deimantinio disko šlifavimas

Jeigu deimantinio disko pjovimo galia sumažėja, nušlifukite deimantinio disko pjovimo kraštą senu šlifavimo staklių disku arba į betono bloką. Norėdami tai padaryti, tvirtai pritvirtinkite šlifavimo staklių diską arba betono bloką ir įpjaukite jį.

### Po naudojimo

Palikę įrankį kurį laiką veikti tuščiaja eiga, išvalykite įrankio viduje esančias dulkes. Variklyje susikaupusios dulkės gali sutrikdyti įrankio veikimą.

## Disko apsaugo ir dulkių surinkimo dangčio valymas

Reguliariai valykite disko apsaugo ir dulkių surinkimo dangčio vidų. Nupūskite arba nušluostykite viduje besikaupiančius nešvarumus ir dulkes.

► **Pav.30:** 1. Disko apsaugas 2. Dulkių surinkimo dangtis

## Oro ventiliacijos angų valymas

Siekdami užtikrinti sklandžią oro cirkuliaciją, reguliariai valykite įrankio ventiliacijos angas. Jei oro įleidimo anga užsiteršė ir užsikimšo, nuimkite nuo jos gaubtelį nuo dulkių ir išvalykite angą.

► **Pav.31:** 1. Gaubtelis nuo dulkių 2. Oro įleidimo anga

## PASIRENKAMI PRIEDAI

**⚠ PERSPĖJIMAS:** Šiuos papildomus priedus arba įtaisus rekomenduojama naudoti su šioje instrukcijoje nurodytu „Makita“ bendrovės įrankiu. Naudojant bet kokius kitus papildomus priedus arba įtaisus, gali kilti pavojus sužeisti žmones. Naudokite tik nurodytam tikslui skirtus papildomus priedus arba įtaisus.

Jeigu norite daugiau sužinoti apie tuos priedus, kreipkitės į artimiausią „Makita“ techninės priežiūros centrą.

- Nupjovimo diskas
- Deimantinis diskas
- Rupi volframo karbidu padengtas diskas
- Šešiakampis veržliaraktis
- Originalus „Makita“ akumulatorius ir įkroviklis

**PASTABA:** Kai kurie sąrašė esantys priedai gali būti pateikti įrankio pakuotėje kaip standartiniai priedai. Jie įvairiose šalyse gali skirtis.

## TEHNILISED ANDMED

<b>Mudel:</b>	<b>DMC300</b>	
Ketta välisläbimõõt	76 mm	
Ketta siseläbimõõt (võlli läbimõõt)	10,0 mm / 9,5 mm (3/8") (sõltub riigist)	
Max ketta paksus	1,0 mm	
Max löikevõimekus	Koos tolmukattega	13,5 mm
	Ilma tolmukatteta	16,0 mm
Nimikiirus (n) / koormuseta kiirus (n <sub>0</sub> )	20 000 min <sup>-1</sup>	
Üldpikkus	271 mm *1	
Nimipinge	Alalisvool 18 V	
Netokaal	1,2 – 1,7 kg	

\*1. Akukassetiga (BL1860B) / Ilma tolmukatteta

- Meie pideva uuringu- ja arendusprogrammi tõttu võidakse tehnilisi andmeid muuta ilma sellest ette teatamata.
- Tehnilised andmed ja akukassetid võivad riigiti erineda.
- Kaal võib erineda olenevalt lisaseadistest, kaasa arvatud akukassetist. Kergeim ja raskeim kombinatsioon EPTA-protseduuri 01/2014 kohaselt on toodud tabelis.

### Sobiv akukasset ja laadija

Akukassetid	BL1815N / BL1820B / BL1830B / BL1840B / BL1850B / BL1860B
Laadija	DC18RC / DC18RD / DC18RE / DC18SD / DC18SE / DC18SF / DC18SH / DC18WC

- Mõned eespool loetletud akukassetid ja -laadijad ei pruugi olla teie riigis saadaval.

**⚠ HOIATUS:** Kasutage ainult ülalpool loetletud akukasette ja laadijaid. Muude akukassetide ja laadijate kasutamine võib tekitada vigastusi ja/või tulekahju.

### Kavandatud kasutus

Tööriist on mõeldud pleki, liitmike, torude ja keraamiliste plaatide või metallist, plastist, keraamikast, kipsist ja muudest sarnastest komposiitmaterjalidest seinte ilma veeta lõikamiseks.

### Müra

Tüüpiline A-korrigeeritud müratase, määratud standardi EN60745-2-22 kohaselt:

Helirõhutase (L<sub>PA</sub>): 88 dB (A)

Helivõimsuse tase (L<sub>WA</sub>): 99 dB (A)

Määramatus (K): 3 dB (A)

**MÄRKUS:** Deklareeritud müra väärtust (väärtuseid) on mõõdetud kooskõlas standardse katsemeetodiga ning seda võib kasutada ühe seadme võrdlemiseks teisega.

**MÄRKUS:** Deklareeritud müra väärtust (väärtuseid) võib kasutada ka mürataseme esmaseks hindamiseks.

**⚠ HOIATUS:** Kasutage kõrvakaitsmeid.

**⚠ HOIATUS:** Müratase võib elektritööriista tegelikkuses kasutamise ajal erineda deklareeritud väärtus(t)est olenevalt tööriista kasutusviisidest ja eriti töödeldavast toorikust.

**⚠ HOIATUS:** Rakendage operaatori kaitsmiseks kindlasti piisavaid ohutusabinõusid, mis põhinevad hinnangulisel müratasemel tegelikus töösihtuatsioonis (võttes arvesse tööperioodi kõiki osasid, näiteks korrad, kui seade lülitatakse välja ja seade töötab tühikäigul, lisaks tööajale).

### Vibratsioon

Vibratsiooni koguväärtus (kolmeteljeliste vektorite summa) määratud standardi EN60745-2-22 kohaselt: Töörežiim: betooni lõikamine (paksus 5 mm)  
Vibratsiooniheide (a<sub>h</sub>): 3,0 m/s<sup>2</sup>  
Määramatus (K): 1,5 m/s<sup>2</sup>

**MÄRKUS:** Deklareeritud vibratsiooni koguväärtust (-väärtuseid) on mõõdetud kooskõlas standardse katsemeetodiga ning seda võib kasutada ühe seadme võrdlemiseks teisega.

**MÄRKUS:** Deklareeritud vibratsiooni koguväärtust (-väärtuseid) võib kasutada ka mürataseme esmaseks hindamiseks.

**⚠️HOIATUS:** Vibratsioonitase võib elektritööriista tegelikkuses kasutamise ajal erineda deklareeritud väärtus(t)est olenevalt tööriista kasutusviisidest ja eriti töödeldavast toorikust.

**⚠️HOIATUS:** Rakendage operaatori kaitsmiseks kindlasti piisavaid ohutusabinõusid, mis põhinevad hinnangulisel määratasemel tegelikus töösihtuatsioonis (võttes arvesse tööperioodi kõiki osasid, näiteks korrad, kui seade lülitatakse välja ja seade töötab tühikäigul, lisaks tööajale).

## EÜ vastavusdeklaratsioon

### Ainult Euroopa riikide puhul

EÜ vastavusdeklaratsioon sisaldub käesoleva juhendi Lisas A.

## OHUTUSHOIATUSED

### Üldised elektritööriistade ohutushoiatused

**⚠️HOIATUS:** Lugege läbi kõik selle elektritööriistaga kaasas olevad ohutushoiatused, juhised, joonised ja tehnilised andmed. Järgnevate juhiste eiramine võib põhjustada elektrilöögi, süttimise ja/või raske kehavigastuse.

## Hoidke edaspidisteks viideteks alles kõik hoiatused ja juhtnõid.

Hoiatustes kasutatud termini „elektritööriist“ all peetakse silmas elektriga töötavaid (juhtmega) elektritööriistu või akuga töötavaid (juhtmata) elektritööriistu.

### Nurklühvija ohutushoiatused

1. Tööriistaga kaasas olev kaitsepiire peab olema kindlalt seadme külge kinnitatud ja suurimat ohutust tagavas asendis, nii et võimalikult väike osa ketta kasutajapoolsest küljest oleks katmata. Ärge seiske ise ja ärge lubage kõrvalistel isikutel seista samal joonel pöördketta tasapinnaga. Piire aitab käitajat purunenud kettatükkide ja kettaga juhuslikku kokkupuutesse sattumise eest kaitsta.
2. Kasutage elektritööriista ainult liimitud tugevusega või teemantlöikekettaid. Asjaolu, et tarviku saab elektritööriista külge kinnitada, ei taga ohutut töötamist.
3. Tarviku nimikiirus peab olema vähemalt võrdne elektritööriistale märgitud maksimaalse kiirusega. Tarvikud, mis töötavad nimikiirusest suuremal kiirusel, võivad katki minna ja laiali lennata.
4. Kettaid tohib kasutada ainult ettenähtud otstarbel. Näiteks ärge kasutage löikeketta külge lihvimiseks. Abrasiivlöikekettad on ette nähtud ääripindade lihvimiseks, nende ketastele rakendatavad külj jõud võivad ketta purustada.

5. Kasutage alati rikkumata servadega kettaid, mille läbimõõt sobib valitud tööriistaga. Sobivad kettaäärnikud toetavad ketast, vähendades ketta purunemise ohtu.
6. Ärge kasutage suuremate elektritööriistade kulunud tugevdatud kettaid. Suurema elektritööriista jaoks mõeldud ketas ei sobi väiksema tööriista suurema kiirusega ja võib puruneda.
7. Tarviku välisdiameeter ja paksus peavad jääma teie elektritööriista puhul ettenähtud parameetrite nimiaandmete vahemikku. Valedel mõõtetegudel tarvikud ei ole tööriistas nõuetekohaselt kaitstud ega kontrolli all.
8. Kettavõlli ava ja äärikute suurus peavad sobima elektritööriista võlli suurusega. Elektritööriista kinnitustahvelditega mittesobivate avadega ketaste ja äärikute paigaldamisel lähedavad viimased tasakaalust välja, vibreerivad tugevalt ja võivad põhjustada juhitavuse kaotust.
9. Ärge kasutage rikutud servadega kettaid. Enne iga kasutamist kontrollige, et kettal ei oleks tükkeid ega mörasid. Juhul kui elektritööriist või ketas peaks maha kukkuma, kontrollige, et ei esineks kahjustusi, või paigaldage uus ketas. Pärast ketta kontrollimist ja paigaldamist seadke ennast ja kohalviibijad pöördketta tasapinnast eemale ja käitage elektritööriista maksimaalsel kiirusel ilma koormuseta ühe minuti jooksul. Rikutud kettad purunevad tavaliselt katsetamise käigus.
10. Kandke isikukaitsevahendeid. Kandke alati kuulmiskaitsevahendeid. Kandke olenevalt kasutusest näokaitset, kaitseprille või prille. Vajaduse korral kandke tolumaski, kindaid ja tööpõlle, mis kaitseb väikeste lihvimisosakeste või töödeldava detaili tükkide eest. Silmade kaitsevahend peab kaitsma töö käigus tekkivate lenduvate jäätmete eest. Tolumask või respiraator peab kaitsma töö käigus tekkivate filtreeruvate osakeste eest. Alaline kokkupuude suure müraga võib põhjustada kuulmiskahjustust.
11. Hoidke kõrvalseisjad tööalast turvalises kauguses. Kõik, kes sisenevad tööalasse, peavad kandma kaitsevarustust. Töödeldava detaili osakesed või purunenud ketas võivad lenduda ja põhjustada vigastuse tööpiirkonna vahetus läheduses viibijatele.
12. Hoidke elektritööriista ainult isoleeritud haardepindadest, kui töotate kohas, kus löiketera puutuda vastu varjatud juhtmeid. Voolu all oleva juhtmega kokkupuutesse sattunud löiketera võib pingestada elektritööriista metallosi ning põhjustada kasutajale elektrilöögi.
13. Ärge pange elektritööriista maha enne, kui tarviku liikumine pole täielikult peatunud. Pöörlev tarvik võib pinna külge takerduda ja elektritööriist võib kontrolli alt väljuda.
14. Ärge käitage elektritööriista selle kandmise ajal. Juhuslik kokkupuude pöörleva tarvikuga võib põhjustada riide kinnijäämist ja tarviku kehasse tõmmata.
15. Puhastage elektritööriista õhuvaasid regulaarselt. Mootori ventilator tõmbab tolmu korpusesse ja metallitolmu liigne kogunemine võib põhjustada elektriõhku.
16. Ärge kasutage seadet tuleohtlike materjalide lähedal. Need materjalid võivad sädemetest süttida.



## Tagasilöök ja vastavad hoiatused

Tagasilöök on kinnikiilunud või mõne eseme otsa sattunud pöörleva löikeketta ootamatu reaktsioon. Kinnikiilumine või pörkumine põhjustab pöörleva ketta kiiret seismajäämist, mis omakorda sunnib juhitamatult elektritööriista liikuma vastassuunas ketta pöörlemise suunale ühenduspunkti. Näiteks kui abrasiivne ketas kiilub kinni töödeldavas detaili, võib kinnikiilumiskohta sisenenud löikeketta serv materjali pinda tungida, mille tagajärjel löikeketas hüppab välja või põhjustab tagasilöögi. Löikeketas võib hüpata kasutaja poole või kasutajat eemale olenevalt ketta liikumissuunast kinnikiilumiskohas. Lihvkettad võivad neis tingimustes samuti puruneda. Tagasilöök tekib elektritööriista väärkasutamisel ja/või mittevastava tööprotseduuri või -tingimuste korral ning on vältitav, kui rakendate alljärgnevalt esitatud vastavaid ettevaatusabinõusid.

1. **Hoidke elektritööriistat tugevasti kinni ning seadke keha ja küünarnukk sellisesse asendisse, mis võimaldab tagasilöögile õigesti reageerida. Kasutage alati abikäepidet, kui see on olemas, et tööriista käivitamisel tagasilöögi ja pöördemomendi vastumõju üle kontrolli saavutada.** Asjakohaste ettevaatusabinõude rakendamisel saab operaator tagasilöögi ja pöördemomendi vastumõju kontrollida.
2. **Ärge kunagi asetage kätt pöörleva tarviku lähedale.** Te võite tarvikult tagasilöögi saada.
3. **Ärge seadke ennast ühele joonele pöörleva löikekettaga.** Ärge viibige alas, kus elektritööriist võib tagasilöögi ajal liikuda. Tagasilöök paneb tööriista pörkekohas ketta liikumissuunale vastupidises suunas liikuma.
4. **Olge eriti ettevaatlik, kui töötlete nurki, teravaid servi jne. Vältige tarviku pörkumist esemete vastu.** Nurgad, teravad servad ja tagasipörkamine on tavaliselt nendeks teguriteks, mis võivad põhjustada pöörleva tarviku kinnijäämist, kontrolli kaotamist või tagasilööki.
5. **Ärge kinnitage tööriista külge saeketti, puunikerdustera, segmenteeritud teemantketast, mille servasüvendite laius on suurem kui 10 mm, ega hambulist saetera.** Sellised terad tekitavad sageli tagasilööki ja juhitavuse kadu.
6. **Ärge „ummistage“ ketast ega rakendage liigset jõudu.** Ärge püüdke teha liiga sügavat lõiget. Ketta ülepingestamine suurendab ketta koormust ja vastuvõtlikkust väändumisele või kinnijäämisele löikes ning tagasilöögi esinemise või ketta purunemise võimalust.
7. **Kui ketas kiilub kinni või löikamine katkeb mingil põhjusel, lülitage elektritööriist välja ja hoidke tööriista liikumatult kuni ketta täieliku seiskumiseni.** Ärge kunagi püüdke ketast lõikest eemaldada ketta liikumise ajal, sest vastasel juhul võib tekkida tagasilöök. Selgitage välja ketta kinnijäämise põhjus ja rakendage asjakohast parandusmeetet põhjuse kõrvaldamiseks.
8. **Ärge käivitage löikamist töödeldavas detailis. Laske kettal saavutada täiskiiirus ja sisenege seejärel uuesti ettevaatlikult lõikesse.** Kui elektritööriist taaskäivitatakse töödeldavas detailis, võib ketas kinni jääda, ülespoole liikuda või põhjustada tagasilöögi.

9. **Vähendamaks ketta pitsumise ja tagasilöögi ohtu, toestage paneelid või ülemöödulised töödeldavad detailid.** Suured detailid hakkavad painduma omaenees raskuse all. Toed tuleb paigutada töödeldava detaili alla löikejoone lähedale ja tooriku serva lähedale ketta mõlemal küljel.
10. **Olge eriti ettevaatlik, kui teete „sukelduslöikamist“ olemasolevates seintes või muudes varjatud piirkondades.** Väljalatuv löikekera võib löikuda gaasi- või veetoru sisse, elektrijuhtmetesse või muudesse esemetesse ning põhjustada tagasilöögi.
11. **Enne segmentidega servaga teemantketta kasutamist veenduge, et teemantketta serva segmentide vahe oleks 10 mm või vähem ning et tegemist oleks kindlasti löikekera negatiivse esinurgaga.**

## Lisaturvahoitused:

1. **Ärge kunagi püüdke lõigata rakises tagurpidises asendis hoitava tööriistaga.** See on äärmiselt ohtlik ja võib põhjustada tõsisid õnnetusi.
2. **Töödeldav detail peab olema korralikult toestatud.**
3. **Mõned materjalid võivad sisaldada mürgiseid aineid. Võtke meetmed tolmude sissehingamise ja nahaga kokkupuutumise vältimiseks.** Järgige materjali tarnija ohutusteavet.
4. **Hoidke kettaid tootja soovitude kohaselt.** Mittenõuetekohane hooldamine võib kettaid kahjustada.

## HOIDKE JUHEND ALLES.

**⚠ HOIATUS: ÄRGE UNUSTAGE järgida toote ohutusnõudeid mugavuse või toote (korduskasutamiseks saavutatud) hea tundmise tõttu. VALJE KASUTUS või kasutusjuhendi ohutuseeskirjade eiramine võib põhjustada tervisekahjustusi.**

## Akukassetiga seotud olulised ohutusjuhised

1. **Enne akukasseti kasutamist lugege (1) akulaadja, (2) akul ja (3) seadmel olevad juhtnõidid ja hoiatused läbi.**
2. **Ärge võtke akukassetti lahti ega muutke seda.** See võib põhjustada tulekahju, liigset kuumust või plahvatuse.
3. **Ärge tööaeg järsult lüheneb, siis lõpetage kohe kasutamine.** Edasise kasutamise tulemuseks võib olla ülekuumenemisoht, võimalikud põletused või isegi plahvatuse.
4. **Kui elektrilüüti satub silma, siis loputage silma puhta veega ja pöörduge koheselt arsti poole.** Selline õnnetus võib põhjustada pimedaksjäämist.
5. **Ärge tekitage akukassetis lühist:**
  - (1) **Ärge puutuge klemme elektrijuhtmetega.**
  - (2) **Ärge hoidke akukassetti tööriistakastis koos metallsemetega, nagu naelad, mündid jne.**
  - (3) **Ärge tehke akukassetti märjaks ega jätke seda vilma kätte.****Aku lühis võib põhjustada tugevat elektrivoolu, ülekuumenemist, põletusi ning ka seadet tõsiselt kahjustada.**

6. Ärge hoidke ega kasutage tööriista ja akukas-  
setti kohtades, kus temperatuur võib tõusta  
üle 50 °C (122 °F).
7. Ärge põletage akukasetti isegi siis, kui see on  
saanud tõsiselt vigastada või on täiesti kulu-  
nud. Akukasett võib tules plahvatada.
8. Ärge naelutage, löigake, muljuge, visake aku-  
kasetti ega laske sel kukkuda, samuti ärge  
lööge selle pihta kõva esemega. Selline tegevus  
võib põhjustada tulekahju, liigset kuumust või  
plahvatuse.
9. Ärge kasutage kahjustatud akut.
10. Sisalduvatele liitium-ioonakudele võivad  
kohalduda ohtlike kaupade õigusaktide nõu-  
ded.  
Kaubanduslikul transportimisel, näiteks kolman-  
date poolte või transpordiettevõtete poolt, tuleb  
järgida pakendil ja siltidel toodud erinõudeid.  
Transportimiseks ettevalmistamisel on vajalik  
pidada nõu ohtliku materjali eksperdigaga. Samuti  
tuleb järgida võimalike riiklike regulatsioonide  
üksikasjalikumaid nõudeid.  
Katke teibiga või varjake avatud kontaktid ja  
pakendage aku selliselt, et see ei saaks pakendis  
liikuda.
11. Kasutuskõlbmatuks muutunud akukasetti  
kõrvaldamiseks eemaldage see tööriistast ja  
viige selleks ette nähtud kohta. Järgige kasu-  
tuskõlbmatuks muutunud aku kõrvaldamisel  
kohalikke eeskirju.
12. Kasutage akusid ainult Makita heaks kiidetud  
toodetega. Akude paigaldamine selleks mitte  
ettenähtud toodetele võib põhjustada süttimist,  
ülemäärast kuumust, plahvatamist või elektrolüüdi  
lekkimist.
13. Kui tööriista ei kasutata pika ajaperioodi jook-  
sul, tuleb aku tööriistast eemaldada.
14. Kasutamise ajal ja pärast kasutamist võib  
akukasett kuumeneda, mis võib põhjustada  
põletusi või madala temperatuuri põletusi.  
Olge kuuma akukasetti kandmisel ettevaatlik.
15. Ärge puudutage tööriista klemmi kohe pärast  
kasutamist, sest see võib olla kuum ja põhjus-  
tada põletusi.
16. Hoidke akukasetti klemmid, avad ja sooned  
tükikestest, tolmust ja mullast puhtad. See  
võib põhjustada tööriista või aku ülekuumenemist,  
süttimist, purunemist ja talitlushäireid, mis võib  
lõppeda põletuste või kehavigastustega.
17. Kui tööriist ei kannata kasutamist kõrgepin-  
geliinide lähedal, ärge kasutage akukasetti  
kõrgepingeliinide lähedal. Muidu võib tööriist või  
akukasett puruneda või sellel tõrge tekkida.
18. Hoidke akut lastele kättesaamatult.

## HOIDKE JUHEND ALLES.

**⚠ETTEVAATUST:** Kasutage ainult Makita  
originaalakusid. Mitte Makita originaalakude või  
muudetud akude kasutamine võib põhjustada akude  
süttimise, kehavigastuse ja kahjustuse. Samuti muu-  
dab see kehtetuks Makita tööriista ja laadija Makita  
garantii.

## Vihjeid aku maksimaalse kasu- tusaja tagamise kohta

1. Laadige akukasetti enne selle täielikku  
tühjenemist. Kui märkate, et tööriist töötab  
väiksema võimsusega, peatage töö ja laadige  
akukasetti.
2. Ärge laadige täielikult laetud akukasetti.  
Ülelaadimine lühendab akude kasutusiga.
3. Laadige akukasetti toatemperatuuril 10 °C -  
40 °C. Enne laadimist laske kuumenenud aku-  
kasetil maha jahtuda.
4. Kui te ei kasuta parajasti akukasetti, eemal-  
dage see tööriistast või laadurist.
5. Kui te ei kasuta akukasetti kauem kui kuus  
kuud, laadige see.

## FUNKTSIONAALNE KIRJELDUS

**⚠ETTEVAATUST:** Kandke alati hoolt selle eest,  
et tööriist oleks enne reguleerimist ja kontrolli-  
mist välja lülitatud ja akukasett eemaldatud.

### Akukasetti paigaldamine või eemaldamine

**⚠ETTEVAATUST:** Lülitage tööriist alati enne  
akukasetti paigaldamist või eemaldamist välja.

**⚠ETTEVAATUST:** Akukasetti paigaldamisel  
või eemaldamisel tuleb tööriista ja akukasetti  
kindlalt paigal hoida. Kui tööriista ja akukasetti ei  
hoita kindlalt paigal, võivad need käest libiseda ning  
kahjustada tööriista ja akukasetti või põhjustada  
kehavigastusi.

► **Joon.1:** 1. Punane näidik 2. Nupp 3. Akukasett

Akukasetti eemaldamiseks libistage see tööriista kül-  
jest lahti, vajutades kasseti esiküljel paiknevat nuppu  
alla.

Akukasetti paigaldamiseks joondage akukasetti keel  
korpuse soonega ja libistage kassett oma kohale.  
Sisestage see tervenisti, kuni see lukustub klõpsuga  
oma kohale. Kui näete joonisel näidatud punast näidi-  
kut, pole see täielikult lukustunud.

**⚠ETTEVAATUST:** Paigaldage akukasett alati  
täies ulatuses nii, et punast osa ei jääks näha.  
Muidu võib adapter juhuslikult tööriistast välja kuk-  
kuda ning põhjustada teile või läheduses viibivatele  
isikutele vigastusi.









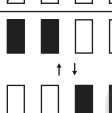
**⚠ETTEVAATUST:** Ärge rakendage akukasetti  
paigaldamisel jõudu. Kui kassett ei lähe kergesti  
sisse, pole see õigesti paigaldatud.

## Aku jääkmahutavuse näit

### Ainult näidikuga akukassetidele

► **Joon.2:** 1. Märgulambid 2. Kontrollimise nupp

Akukasseti järelejäänud mahutavuse kontrollimiseks vajutage kontrollimise nuppu. Märgulambid süttivad mõneks sekundiks.

Märgulambid			Jääkmahutavus
 Põleb	 Ei põle	 Vilgub	
			75 - 100%
			50 - 75%
			25 - 50%
			0 - 25%
			Laadige akut.
			Akul võib olla tõrge.

**MÄRKUS:** Näidatud mahutavus võib veidi erineda tegelikust mahutavusest olenevalt kasutustingimustest ja ümbritseva keskkonna temperatuurist.

**MÄRKUS:** Esimene (taga vasakul asuv) märgutuli vilgub, kui akukaitsesüsteem töötab.

## Tööriista/aku kaitsesüsteem

Tööriist on varustatud tööriista või aku kaitsesüsteemiga. Süsteem lülitab mootori automaatselt välja, et pikendada tööriista ja aku tööiga. Tööriist seiskub käitamise ajal automaatselt, kui tööriista või aku kohta kehtib üks järgmistest tingimustest. Teatud tingimustes hakkavad indikaatorid põlema.

## Ülekoormuskaitse

Kui tööriista/aku kasutamise käigus hakkab see tarbima ebaharilikult palju voolu, peatub tööriist automaatselt ja töölamp hakkab vilkuma. Sellisel juhul lülitage tööriist välja ja lõpetage tööriista ülekoormuse põhjustanud kasutus. Pärast seda käivitage tööriist uuesti.

## Ülekuumenemiskaitse

Kui tööriist/aku on üle kuumenenud, seiskub tööriist automaatselt ja töölamp vilgub. Sel juhul laske tööriistal enne uuesti sisselülitamist maha jahtuda.

## Üleladimiskaitse

Kui aku jääkmahutavus on väike, siis seiskub tööriist automaatselt. Kui tööriist ei hakka lülitite kasutamisel tööle, eemaldage tööriistast aku ja laadige seda.

## Kaitse muude põhjuste korral

Kaitsesüsteem on mõeldud ka muude põhjuste jaoks, mis võivad tööriista kahjustada, ja võimaldab tööriistal automaatselt seiskuda. Kui tööriist on ajutiselt peatatud või seiskunud, toimige põhjuste kõrvaldamiseks järgnevalt.

1. Lülitage tööriist välja ja seejärel taaskäivitamiseks uuesti sisse.
2. Laadige akut (akusid) või asendage aku (akud).
3. Laske tööriistal ja akul (akudel) jahtuda.

Kui kaitsesüsteemi taastamisega ei õnnestu olukorda parandada, võtke ühendust kohaliku Makita hoolduskeskusega.

## Lüliti funktsioneerimine

**▲HOIATUS:** ÄRGE kasutage KUNAGI masinat, kui see käivitub ka siis, kui lahtilukustusnuppu vajutamata vajutate lihtsalt lüliti päästikut.

Remonti vajav lüliti võib põhjustada masina soovimatu sisselülitumise, millega kaasnevad tõsised vigastused. ENNE edasist kasutamist viige masin parandamiseks Makita teeninduskeskusesse.

**▲HOIATUS:** Lahtilukustusnupu fikseerimine kleplindi vms-ga on KEELATUD. Inaktiveeritud lahtilukustusnupuga lüliti võib põhjustada masina soovimatu sisselülitumise, millega kaasnevad tõsised vigastused.

**▲ETTEVAATUST:** Kontrollige alati enne akukasseti tööriista külge paigaldamist, kas lüliti päästik funktsioneerib nõuetekohaselt ja liigub lahtilaskmisel tagasi väljalülitatud asendisse.

**▲ETTEVAATUST:** Ärge tõmmake lüliti päästikut tugevasti ilma lukust avamise nuppu vajutamata. See võib lüliti ära lõhkuda.

**▲ETTEVAATUST:** Tööriist hakkab ketta pöörlemist pidurdama kohe, kui olete lüliti päästiku lahti lasknud. Pidurdamisele reageerimiseks hoidke lüliti päästiku vibastamisel tööriistast tugevalt kinni. Äkilise pidurdamise mõjul võib tööriist käest kukkuda ja põhjustada kehavigastuse.

Lüliti päästiku juhusliku vajutamise vältimiseks on tööriistal lukust avamise nupp. Tööriista käivitamiseks vajutage ja hoidke lukust avamise nuppu all ning tõmmake seejärel lüliti päästikut. Seiskamiseks vabastage lüliti päästik.

► **Joon.3:** 1. Lüliti päästik 2. Lukust avamise nupp

## Ketta valimine

**▲ETTEVAATUST:** Tarviku nimikiirus peab olema vähemalt võrdne elektritööriistale märgitud maksimaalse kiirusega. Tarvikud, mis töötavad nimikiirusest suuremal kiirusel, võivad katki minna ja laiali lennata.

**▲ETTEVAATUST:** Kettaid tohib kasutada ainult ettenähtud otstarbel.

Valige kasutusotstarbe jaoks kõige sobivamad lõikekettad.

Ketta tüüp	Kasutusala
Lõikeketas	Terase, roostevaba terase, metalli lõikamine
Volframkarbiidist abrasiivketas	Plasti, kipsi, komposiitmaterjalide lõikamine
Teemantketas	Keraamiliste plaatide, keraamika lõikamine

## Ketta pöörlemissuund

**⚠ETTEVAATUST:** Enne töö alustamist kontrollige alati pöörlemise suunda.

**⚠ETTEVAATUST:** Kasutage suunalüliti alles pärast tööriista täielikku seiskumist. Pöörlemissuuna ootamatul muutmisel kasutamise ajal jääb tööriist ohutuse huvides järsult seisma.

Ketta pöörlemissuunda saab muuta kas edasi- või tagasisuunale. Edasisuunas pöörlemise seadmiseks lükake suunalüliti vasakule, kuni lülile ilmub tähis „F”.

Tagasisuunale pöörlemise valimiseks lükake suunalüliti paremale, kuni lülile ilmub tähis „R”.

▶ **Joon.4:** 1. Suunalüliti

Laastud, jäätmed, sädemed ja lõikeosakesed kipuvad ketta pöörlemise suunas eemale paiskuma. Pideva kokkupuute vältimiseks eemaldatud osakestega kasutage kettakaitset efektiivselt, et see saaks osa lõiketolmusest ja osakestest mujale suunata.

Reaktsioon pöörleva ketta järsule seiskamisele võib tuua kaasa tööriista juhitamatu liikumise ketta pöörlemise suunale vastupidises suunas.

### Edasisuunas pöörlemine

▶ **Joon.5:** 1. Eemaldatud osakesed 2. Reaktsioonid

### Tagasisuunas pöörlemine

▶ **Joon.6:** 1. Eemaldatud osakesed 2. Reaktsioonid

## Kettakaitse

**⚠ETTEVAATUST:** Kontrollige enne töö alustamist, kas kettakaitse on õigesti ja tugevalt lõikeketta taha paigutatud.

Kinnitage kettakaitse vastavalt oma töötingimustele ja eel- tustele mugavasse asendisse, kus see tagab maksimaalse ohutuse ja minimaalse kokkupuute võimalike riskiteguritega.

### Paigutus ettepoole

▶ **Joon.7:** 1. Kettakaitse 2. Lõikeketas

### Paigutus tahapoole

▶ **Joon.8:** 1. Kettakaitse 2. Lõikeketas

## Võllilukk

Võlli pöörlemise takistamiseks paigaldamise ja eemaldamise ajal vajutage võllilukku.

▶ **Joon.9:** 1. Võllilukk

**TÄHELEPANU:** Ärge kasutage kunagi võllilukku ajal, kui võll veel liigub. See võib tööriista kahjustada.

## Töölamp

**⚠ETTEVAATUST:** Ärge vaadake otse valgusse ega valgusalikalt.

Töölambi sisselülitamiseks vajutage ja hoidke all lukust avamise nuppu ning tõmmake lüliti päästikut.

Lamp kustub umbes 15 sekundit pärast lüliti päästiku vabastamist.

▶ **Joon.10:** 1. Töölamp

**TÄHELEPANU:** Kui tööriista kasutatakse liiga suurel koormusel, hakkab töölamp vilkuma. Sellises olukorras vabastage lüliti päästik ning seejärel vähendage tööriista koormust, enne kui tööriista uuesti kasutate.

**TÄHELEPANU:** Kui tööriist on üle kuumenenud, hakkab töölamp vilkuma. Sellisel juhul vabastage lüliti päästik ja seejärel laske tööriista/akul enne uuesti kasutamist maha jahtuda.

**MÄRKUS:** Pühkige lamp kuiva lapiga puhtaks. Olge seda tehes ettevaatlik, et lambi läätse mitte kriimustada, sest muidu võib valgustus väheneda.

## Lõikesügavuse reguleerimine

**⚠ETTEVAATUST:** Pärast lõikesügavuse reguleerimist pingutage käsikruvi alati korralikult.

Kui tolmuksüsteem on paigaldatud, saab lõikesügavust täpselt reguleerida kuni 13,5 mm-ni.

Keerake lahti sügavusskaalal olev käsikruvi. Tõstke või langetage tööriista käepide asendisse nii, et kattel olevad sügavusindikaatorid oleksid kohakuti soovitud lõikesügavusega skaalal. Seejärel pingutage käsikruvi.

▶ **Joon.11:** 1. Käsikruvi 2. Sügavusskaala 3. Sügavusindikaator

**⚠ETTEVAATUST:** Puhtaks ja turvaliseks lõikamiseks seadke lõikesügavus selliselt, et lõikeketas ulatuks töödeldava detaili alumisest pinnast kuni 2,0 mm kaugemale. Õige lõikesügavuse kasutamine aitab vähendada ohtliku tagasilöögi ohtu, mis võib põhjustada kehavigastusi.

## Sirge lõike rihtimine

Paigaldatud tolmuksüsteem korral saab sirgeid lõikeid ohutult teha, joondades lõikeketta enne tegelikku lõikamist lõikesuunas.

Joondage tolmuksüsteemi põhjal olev juhtsalk soovitava lõikejoonega töödeldaval detailil.

▶ **Joon.12:** 1. Juhtsalk 2. Alus 3. Lõikejoon

## Tolmuimeja ühendamine

### Lisatarvik

Kui soovite puhtamalt lõigata, ühendage Makita tolmuimeja esimansettide 22 (lisavarustus) abil tolmuksüsteemi oleva tolmuksakuga.

▶ **Joon.13:** 1. Esimansetid 22 2. Tolmuksak 3. Voolik 4. Tolmuimeja

## Juhusliku taaskäivitumise vältimise funktsioon

Akukasseti paigaldamisel ei käivitu tööriist isegi lüliti päästiku tõmbamisel. Tööriista käivitamiseks vabastage kõigepealt lüliti päästik. Vajutage ja hoidke all lukust avamise nuppu ning tõmmake seejärel lüliti päästikut.

## Elektrooniline funktsioon

Tööriist on varustatud lihtsama kasutamise jaoks elektrooniliste funktsioonidega.

- Elektripidur  
Tööriistal elektriline pidur. Kui tööriist ei peatu järjepidevalt kohe pärast lüliti päästiku vabastamist, viige see hoolduseks Makita teeninduskeskusesse.
- Püsikiiruse juhtimine  
Kiiruse juhtimise funktsioon tagab koormusest olenemata püsiva pöörlemiskiiruse.
- Aktiivne tagasiside tajumise tehnoloogia  
Tööriist tuvastab elektrooniliselt olukorrad, kus ketas või tarvik ähvardavad kinni jääda. Sellises olukorras lülitatakse tööriist võlli edasise pöörlemise vältimiseks automaatselt välja (see ei hoiä tagasilööki).  
Tööriista taaskäivitamiseks lülitage tööriist esmalt välja, kõrvaldage pöörlemiskiiruse ootamatu langemise põhjus ja lülitage tööriist seejärel uuesti sisse.

## KOKKUPANEK

**⚠ETTEVAATUST:** Kandke alati hoolt selle eest, et tööriist oleks enne igasuguseid hooldustöid välja lülitatud ja akukassett eemaldatud.

## Kuuskantvõtme hoiulepanek

Kui kuuskantvõtit ei kasutata, pange see kaotamise vältimiseks joonisel näidatud viisil hoiule.

► **Joon.14:** 1. Kuuskantvõti

## Lõikeketta eemaldamine ja paigaldamine

**⚠ETTEVAATUST:** Kasutage lõikeketta eemaldamiseks ja paigaldamiseks ainult kaasas olevat Makita kuuskantvõtit.

**⚠ETTEVAATUST:** Lõikeketta paigaldamisel tuleb polt kindlasti tugevalt pingutada.

**TÄHELEPANU:** Teemantketta paigaldamisel jälgige parimate töötulemuste saavutamise huvides alati, et teemantkettal olevad nooled näitaksid samas suunas nagu ketta soovivat pöörlemissuund.

Lõikeketta eemaldamiseks vajutage võllilukk lõpuni alla nii, et lõikeketas ei saaks pöörelda, ja keerake kuuskantpolt kuuskantvõtmega vastupäeva lahti. Seejärel eemaldage kuuskantpolt, välisäärik ja lõikeketas.

- **Joon.15:** 1. Võllilukk 2. Kuuskantvõti  
3. Kuuskantkruvi 4. Lõdvendamine  
5. Pingutage

**TÄHELEPANU:** Kui siseäärik on eemaldatud, pange see võllile tagasi nii, et ketta paigaldusosa oleks üleväl.

Lõikeketta paigaldamiseks toimige eemaldamisele vastupidises järjekorras.

- **Joon.16:** 1. Kuuskantkruvi 2. Välisäärik  
3. Lõikeketas 4. Siseäärik 5. Võll

## Tolmukatte paigaldamine ja eemaldamine

**⚠ETTEVAATUST:** Veenduge enne töö alustamist, et kettakaitse oleks tolmukatte sees oleva stopperiga kindlalt lukustatud.

**⚠ETTEVAATUST:** Väldige tolmukatte kasutamist metallitöödel, kus tekib soojus ja lenduvad sädemed, mis võivad tolmu katte plastosi sulatada.

Tolmukate parandab ohutut ja efektiivset lõikamist, kaitseb pöörleva ketta eest, muudab lõikamise stabiilsemaks, võimaldab lõikesügavust täpselt juhtida ja pakub tolmuarastuslahendusi, eelkõige keraamiliste plaatide, kipsi ja keraamika lõikamisel.

## Tolmukatte paigaldamine

1. Keerake lahti tolmu katte sügavuskaalal olev käsikruvi. Tõstke kate täiesti üles ja seejärel pingutage käsikruvi tolmu katte kinnitamiseks tõstetud asendisse.

► **Joon.17:** 1. Käsikruvi 2. Sügavuskaala  
3. Tolmukate

2. Seadke tööriista kettakaitse edasisuuna asendisse.

► **Joon.18:** 1. Kettakaitse

3. Tõstke tööriista käepidet kergelt ja pange kettakaitse eesmine pool nurga all tolmu kattesse, nii et lõikeketta alumine serv läheb läbi aluses oleva kettapilu.

► **Joon.19:** 1. Kettakaitse 2. Tolmukate 3. Lõikeketas  
4. Kettapilu

4. Paigaldage kettakaitse tagumine pool tolmu kattesse, viies tööriista käepideme tõstetud asendist langetatud asendisse.

► **Joon.20:** 1. Kettakaitse 2. Tolmukate

5. Tõstke tööriista käepidet uuesti ja kinnitage kettakaitse tagumine serv üle tolmu katte sees oleva stopperi.

► **Joon.21:** 1. Kettakaitse 2. Stopper

6. Lõdvendage käsikruvi. Pöörake tööriist üles ja alla soovitud lõikesügavusele. Seejärel keerake käsikruvi tööriista fikseerimiseks kinni.

## Tolmukatte eemaldamine

1. Keerake lahti tolmukatte sügavuskaalal olev käsikruvi. Tõstke tööriista käepide täiesti üles ja seejärel pingutage käsikruvi tolmukatte kinnitamiseks tõstetud asendisse.  
► **Joon.22:** 1. Käsikruvi 2. Sügavuskaala 3. Tolmukate
2. Kettakaitse vabastamiseks tolmukatte sees olevast stopperist lükake vabastushooba käsikruvi suunas.  
► **Joon.23:** 1. Vabastushoob 2. Käsikruvi 3. Kettakaitse 4. Tolmukate 5. Stopper
3. Eemaldage kettakaitse tagumine pool tolmukatetest, viies tööriista käepideme tõstetud asendist langetatud asendisse.  
► **Joon.24:** 1. Kettakaitse 2. Tolmukate
4. Tõmmake kettakaitse eesmine pool kergelt üles ja väljapoole suunates tolmukattelt ära.  
► **Joon.25:** 1. Kettakaitse 2. Tolmukate

## TÖÖRIISTA KASUTAMINE

**⚠ETTEVAATUST:** Töö ajal hoidke tööriistast alati kindlalt kinni.

**⚠ETTEVAATUST:** Ärge rakendage tööriista kasutamisel jõudu. Ülemäärane surumine ja surve või ketta painutamine, vajutamine või väänamine lõikamise ajal võivad põhjustada mootori ülekuumenemist ja tööriista ohtlikku tagasilööki.

**⚠ETTEVAATUST:** Plasti lõikamisel jälgige, et lõikeketas ei kuumeneks üle. Muidu võib töödeldava detaili sulama hakata.

**⚠ETTEVAATUST:** Tööriista käivitamisel ja töö ajal ärge lööge ega müksake lõikeketast.

**⚠ETTEVAATUST:** Kandke töö ajal alati kaitseprille või näokaitset.

**⚠ETTEVAATUST:** Pärast tööd lülitage tööriist alati välja ja oodake, kuni ketas on täielikult seiskunud, enne kui tööriista käest panete.

## Allapoole lõikamine

**TÄHELEPANU:** Kokkupuute vältimiseks eemaldatud osakestega jälgige hoolikalt, et kasutaksite ketta efektiivset lõikepinda.

**TÄHELEPANU:** Hoidke lõikeketast töödeldavas detailis sirgelt püsti ning vältige töö ajal tööriista kallutamist või kõigutamist.

Maksimaalse kaitse saavutamiseks sädemete ja lõikekettalt paiskuvate lahtiste osakeste eest paigaldage kettakaitse õigesti. Asetage tööriist töödeldava detaili kohale nii, et lõikeketas ei puutuks selle vastu. Lülitage tööriist sisse ja oodake, kuni lõikeketas saavutab täiskiiruse. Seejärel langetage tööriist aeglaselt töödeldava detaili pinnale, liikudes töö iseloomule sobival moodsal kiirusel.

**Edasisuunas pöörlemine**

► **Joon.26**

**Tagasisuunas pöörlemine**

► **Joon.27**

## Sirge lõikamine

**⚠ETTEVAATUST:** Jälgige alati, et lõikeketas liiguks lihvimisel ülespoole. Muidu võib tööriist lõikest juhitamatult välja liikuda.

**TÄHELEPANU:** Hoidke lõikejoon sirge ja kasutage ühtlase lõike saavutamiseks läbi töödeldava detaili püsivat survet.

Seadke tolmukatte alusplaat töödeldava detaili kohale nii, et lõikeketas ei puutuks sellega kokku. Lülitage tööriist sisse ja oodake, kuni lõikeketas saavutab täiskiiruse. Seejärel liigutage tööriista aeglaselt üle töödeldava pinnale, hoides tööriista horisontaalselt ja lükates seda sujuvalt edasi, kuni lõige on valmis. Valige tagasisuunas pöörlemine lükkavaks lõikamiseks ja edasisuunas pöörlemine tõmbavaks lõikamiseks.

**Lükkav lõikamine tagasisuunas pöörlemisega**

► **Joon.28**

**Tõmbav lõikamine edasisuunas pöörlemisega**

► **Joon.29**

**MÄRKUS:** Arvestage, et tolmukatte efektiivsus kipub tõmbava lõikamise korral vähenema, sest osa lõikeosakesi koguneb kätte sisse tolmuarastusvoole vastupidises suunas.

## HOOLDUS

**⚠ETTEVAATUST:** Enne kontroll- või hooldustoimingute tegemist kandke alati hoolt selle eest, et tööriist oleks välja lülitatud ja akukassett korpuse küljest eemaldatud.

**TÄHELEPANU:** Ärge kunagi kasutage bensiini, vedeldit, alkoholi ega midagi muud sarnast. Selle tulemuseks võib olla liitumine, deformatsioon või pragunemine.

Toote OHUTUSE ja TÖÖKINDLUSE tagamiseks tuleb vajalikud remonttööd ning muud hooldus- ja reguleerimistööd lasta teha Makita volitatud teeninduskeskustes või tehase teeninduskeskustes. Alati tuleb kasutada Makita varuosi.

## Teemantketta lihvimine

Kui teemantketta lõikeomadused hakkavad halvenema, lihvide selle serva vana ülelligse jämedateralise käiakivi või betoonploki. Selleks fikseerige korralikult käiakivi või betoonploki ja lõigake sellesse.

## Pärast kasutamist

Puhastage tööriista sisemus tolmust, lastes tööriistal mõnda aega tühjalt töötada. Mootoris kogunev tolm võib põhjustada tööriista rikke.

## Kettakaitsme ja tolmukatte puhastamine

Puhastage regulaarselt kettakaitsme ja tolmukatte sisemust. Puhuge või pühkige nendesse kogunenud mustus ja tolm ära.

► **Joon.30:** 1. Kettakaitsme 2. Tolmukate

## Ventilatsiooniava puhastamine

Sujuva õhuringluse saavutamiseks puhastage tööriista ventilatsiooniavasid regulaarselt. Eemaldage õhu sisenemisavalt tolmukate ja puhastage seda alati, kui see on määrdunud ja ummistunud.

► **Joon.31:** 1. Tolmukate 2. Õhu sisenemisava

## VALIKULISED TARVIKUD

**⚠ETTEVAATUST:** Neid tarvikuid ja lisaseadiseid on soovitatav kasutada koos Makita tööriistaga, mille kasutamist selles kasutusjuhendis kirjeldatakse. Muude tarvikute ja liseseadiste kasutamisega kaasneb vigastada saamise oht. Kasutage tarvikuid ja liseseadiseid ainult otstarbekohaselt.

Saate vajaduse korral kohalikust Makita teeninduskeskusest lisateavet nende tarvikute kohta.

- Lõikeketas
- Teemantketas
- Volframkarbiidist abrasiivketas
- Kuuskantvõti
- Makita algupärane aku ja laadija

**MÄRKUS:** Mõned nimekirjas loetletud tarvikud võivad kuuluda standardvarustusse ning need on lisatud tööriista pakendisse. Need võivad riigiti erineda.

## ТЕХНИЧЕСКИЕ ХАРАКТЕРИСТИКИ

Модель:		DMC300
Внешний диаметр диска		76 мм
Внутренний диаметр диска (диаметр вала)		10,0 мм / 9,5 мм (3/8 дюйма) (в зависимости от страны)
Макс. толщина диска		1,0 мм
Макс. толщина разрезаемых деталей	С крышкой пылесборника	13,5 мм
	Без крышки пылесборника	16,0 мм
Номинальная частота вращения (n) / частота вращения без нагрузки (n <sub>0</sub> )		20 000 мин <sup>-1</sup>
Общая длина		271 мм *1
Номинальное напряжение		18 В пост. тока
Масса нетто		1,2–1,7 кг

\*1. С блоком аккумулятора (BL1860B) / без крышки пылесборника

- Благодаря нашей постоянно действующей программе исследований и разработок указанные здесь технические характеристики могут быть изменены без предварительного уведомления.
- Технические характеристики и аккумуляторный блок могут отличаться в зависимости от страны.
- Масса может отличаться в зависимости от дополнительного оборудования. Обратите внимание, что блок аккумулятора также считается дополнительным оборудованием. В таблице представлены комбинации с наибольшим и наименьшим весом в соответствии с процедурой EPTA 01/2014.

### Подходящий блок аккумулятора и зарядное устройство

Блок аккумулятора	BL1815N / BL1820B / BL1830B / BL1840B / BL1850B / BL1860B
Зарядное устройство	DC18RC / DC18RD / DC18RE / DC18SD / DC18SE / DC18SF / DC18SH / DC18WC

- В зависимости от региона проживания некоторые блоки аккумуляторов и зарядные устройства, перечисленные выше, могут быть недоступны.

**⚠ ОСТОРОЖНО:** Используйте только перечисленные выше блоки аккумуляторов и зарядные устройства. Использование других блоков аккумуляторов и зарядных устройств может привести к травме и/или пожару.

### Назначение

Инструмент предназначен для разрезания листов, арматуры, труб, плиток или стен из металла, пластмассы, керамики, гипса и аналогичных композиционных материалов без использования воды.

### Шум

Типичный уровень взвешенного звукового давления (A), измеренный в соответствии с EN60745-2-2:

Уровень звукового давления (L<sub>р,А</sub>): 88 дБ (А)

Уровень звуковой мощности (L<sub>WA</sub>): 99 дБ (А)

Погрешность (K): 3 дБ (А)

**ПРИМЕЧАНИЕ:** Заявленное значение распространения шума измерено в соответствии со стандартной методикой испытаний и может быть использовано для сравнения инструментов.

**ПРИМЕЧАНИЕ:** Заявленное значение распространения шума можно также использовать для предварительных оценок воздействия.

**⚠ ОСТОРОЖНО:** Используйте средства защиты слуха.

**⚠ ОСТОРОЖНО:** Распространение шума во время фактического использования электроинструмента может отличаться от заявленного значения в зависимости от способа применения инструмента и в особенности от типа обрабатываемой детали.

**⚠ ОСТОРОЖНО:** Обязательно определите меры безопасности для защиты оператора, основанные на оценке воздействия в реальных условиях использования (с учетом всех этапов рабочего цикла, таких как выключение инструмента, работа без нагрузки и включение).



## Вибрация

Суммарное значение вибрации (сумма векторов по трем осям), определенное в соответствии с EN60745-2-22:

Рабочий режим: резка бетона (толщина 5 мм)

Распространение вибрации ( $a_{h1}$ ): 3,0 м/с<sup>2</sup>

Погрешность (K): 1,5 м/с<sup>2</sup>

**ПРИМЕЧАНИЕ:** Заявленное общее значение распространения вибрации измерено в соответствии со стандартной методикой испытаний и может быть использовано для сравнения инструментов.

**ПРИМЕЧАНИЕ:** Заявленное общее значение распространения вибрации можно также использовать для предварительных оценок воздействия.

**⚠ ОСТОРОЖНО:** Распространение вибрации во время фактического использования электроинструмента может отличаться от заявленного значения в зависимости от способа применения инструмента и в особенности от типа обрабатываемой детали.

**⚠ ОСТОРОЖНО:** Обязательно определите меры безопасности для защиты оператора, основанные на оценке воздействия в реальных условиях использования (с учетом всех этапов рабочего цикла, таких как выключение инструмента, работа без нагрузки и включение).

## Декларация о соответствии ЕС

*Только для европейских стран*

Декларация о соответствии ЕС включена в руководство по эксплуатации (Приложение А).

## МЕРЫ БЕЗОПАСНОСТИ

### Общие рекомендации по технике безопасности для электроинструментов

**⚠ ОСТОРОЖНО:** Ознакомьтесь со всеми представленными инструкциями по технике безопасности, указаниями, иллюстрациями и техническими характеристиками, прилагаемыми к данному электроинструменту. Несоблюдение каких-либо инструкций, указанных ниже, может привести к поражению электрическим током, пожару и/или серьезной травме.

### Сохраните брошюру с инструкциями и рекомендациями для дальнейшего использования.

Термин "электроинструмент" в предупреждениях относится ко всему инструменту, работающему от сети (с проводом) или на аккумуляторах (без провода).

## Правила техники безопасности при использовании отрезной дисковой пилы

1. **Защитный кожух, поставляемый с инструментом, должен быть надежно закреплен и расположен для обеспечения максимальной защиты так, чтобы со стороны оператора оставалась открытой минимальная часть диска. Вы и стороны наблюдатели должны находиться на максимально возможном расстоянии от плоскости вращения диска. Ограждение помогает обезопасить оператора от отлетающих осколков поврежденного диска и случайного контакта с ним.**
2. **Для работы с электроинструментом используйте только армированные или алмазные отрезные диски. Возможность установки принадлежности на электроинструмент сама по себе не гарантирует безопасной работы.**
3. **Номинальная скорость принадлежности должна быть как минимум равна максимальной скорости, обозначенной на электроинструменте. При превышении номинальной скорости принадлежности она может разломиться, и ее части могут разлететься в стороны.**
4. **Диски должны использоваться только по рекомендованному назначению. Например: не шлифуйте краем отрезного диска. Абразивные отрезные диски предназначены для периферийного шлифования, боковые усилия, приложенные к таким дискам, могут вызвать их разрушение.**
5. **Обязательно используйте неповрежденные фланцы соответствующего выбранному диску диаметра. Подходящие фланцы поддерживают диск, снижая вероятность его повреждения.**
6. **Не используйте изношенные армированные диски от более мощных электроинструментов. Диски, предназначенные для более мощного электроинструмента, не подходят для высокоскоростного электроинструмента меньшего размера и могут разломиться.**
7. **Внешний диаметр и толщина принадлежности должны соответствовать номинальной мощности электроинструмента. Принадлежности, размер которых подобран неверно, не гарантируют безопасности и точности управления.**
8. **Размер оправки дисков и фланцев должен в точности соответствовать параметрам шпинделя электроинструмента. Несовпадение диаметра оправки дисков, фланцев и монтажного узла электроинструмента может привести к нарушению балансировки, сильной вибрации и потере контроля над инструментом.**
9. **Не используйте поврежденные диски. Перед каждым использованием осматривайте диски на предмет сколов и трещин. В случае падения электроинструмента или диска убедитесь в отсутствии повреждений или установите неповрежденный диск. После осмотра и установки диска, отойдите сами и попросите отойти сторонних наблюдателей на безопасное расстояние от плоскости вращения диска, затем включите электроинструмент на максимальной мощности без нагрузки, дав ему поработать в течение одной минуты. Поврежденные диски обычно разрушаются за время такой проверки.**

10. **Используйте индивидуальные средства защиты. Обязательно используйте средства защиты органов слуха. В зависимости от выполняемых операций используйте защитную маску или защитные очки. При необходимости используйте респиратор, перчатки и передник, способные защитить от мелких фрагментов абразива или обрабатываемой детали.** Средства защиты органов зрения должны предохранять от летящих фрагментов, появляющихся при выполнении различных операций. Пылезащитная маска или респиратор должны обеспечивать фильтрацию пыли, возникающей во время работы. Продолжительное воздействие сильного шума может вызвать потерю слуха.
11. **Посторонние лица должны находиться на безопасном расстоянии от рабочей зоны. Любой приближающийся к рабочему месту человек должен предварительно надеть индивидуальные средства защиты.** Фрагменты обрабатываемой детали или разорванного диска могут разлететься и причинить травмы даже за пределами рабочей зоны.
12. **Если при выполнении работ существует риск контакта режущего инструмента со скрытой электропроводкой, держите электроинструмент только за специально предназначенные изолированные поверхности.** Контакт режущего инструмента с проводом под напряжением приведет к тому, что металлические детали инструмента также будут под напряжением. Это может стать причиной поражения оператора электрическим током.
13. **Не кладите электроинструмент, пока принадлежность полностью не остановится.** Вращающийся диск может зацепить поверхность, и вы можете не удержать электроинструмент.
14. **Не включайте электроинструмент во время переноски.** Случайный контакт с вращающейся принадлежностью может привести к заземлению одежды и притягиванию принадлежности к телу.
15. **Регулярно прочищайте вентиляционные отверстия электроинструмента.** Вентилятор электродвигателя засасывает пыль внутрь корпуса, а значительные отложения металлической пыли могут привести к поражению электрическим током.
16. **Не используйте электроинструмент вблизи горючих материалов.** Эти материалы могут воспламениться от искр.

#### **Отдача и соответствующие предупреждения**

Отдача – это неожиданная реакция зажатого или застрявшего вращающегося диска. Застревание или застопоривание вызывает резкую остановку вращающегося диска, что, в свою очередь, приводит к неконтролируемому рывку инструмента в направлении, противоположном вращению диска в момент застревания. Например, если абразивный круг зажимается или прихватавается деталью, край круга, находящийся в точке заклинивания, может углубиться в поверхность детали, что приведет к выкачиванию или выскакиванию круга. Круг может совершить рывок в направлении оператора или обратно, в зависимости от направления перемещения круга в точке заклинивания. Также в этих условиях абразивные круги могут сломаться.

Отдача – это результат неправильного использования электроинструмента и/или неправильных методов или условий работ, которого можно избежать, соблюдая нижеуказанные меры предосторожности.

1. **Крепко держите электроинструмент и располагайте свое тело и руки так, чтобы можно было сопротивляться силам отдачи. Обязательно пользуйтесь вспомогательной рукояткой (при наличии), чтобы обеспечить максимальный контроль над отдачей или крутящим моментом во время пуска.** Оператор способен справиться с крутящим моментом и силами отдачи при условии соблюдения соответствующих мер безопасности.
2. **Берегите руки от вращающейся насадки.** При отдаче насадка может задеть ваши руки.
3. **Не стойте в плоскости вращения диска.** При отдаче инструмент сместится в направлении, противоположном вращению диска в момент застревания.
4. **Соблюдайте особую осторожность при обработке углов, острых краев и т. п. Не допускайте ударов и застревания принадлежности.** Углы, острые края и удары способствуют прихватаванию вращающейся принадлежности, которое приводит к выходу из-под контроля или отдаче.
5. **Не устанавливайте на инструмент пильную цепь, принадлежность для резьбы по дереву, сегментированный алмазный диск с периферийным зазором более 10 мм или дисковую пилу.** Такие пилы часто дают отдачу и приводят к потере контроля.
6. **Не "заклинивайте" диск и не прикладывайте к нему чрезмерное давление. Не пытайтесь делать слишком глубокий разрез.** Перенапряжение диска увеличивает нагрузку и вероятность искривления или застревания диска в прорези, а также отдачи или поломки диска.
7. **Если диск застревает или процесс резания прерывается по другой причине, выключите электроинструмент и держите его неподвижно до полной остановки диска. Не пытайтесь извлечь диск из разреза до полной остановки, в противном случае может возникнуть отдача.** Выясните и устраните причину застревания диска.
8. **Не перезапускайте отрезной диск, пока он находится в детали. Дождитесь, пока диск разовьет максимальную скорость, и осторожно погрузите его в разрез.** Диск может застрять, отдача может отбросить его вверх или назад, если перезапустить электроинструмент непосредственно в детали.
9. **Устанавливайте опоры под панели или большие детали, чтобы уменьшить риск застревания диска и возникновения отдачи.** Большие детали имеют тенденцию к прогибанию под собственным весом. При резании таких панелей необходимо поместить опоры под разрезаемой деталью рядом с линией разреза и рядом с краем детали с обеих сторон диска.

10. Будьте особенно осторожны при выполнении врезки в существующих стенах или на других участках, недоступных для осмотра. Выступающая часть круга может перерезать газовые или водопроводные трубы, электропроводку или детали, которые могут вызвать отдачу.
11. Перед использованием сегментированного алмазного диска убедитесь, что периферийный зазор между сегментами алмазного диска не превышает 10 мм, только с отрицательным передним углом наклона.

#### Дополнительные правила техники безопасности:

1. Не пытайтесь резать при помощи перевернутого инструмента, зажатого в тисках. Это очень опасно и может привести к серьезным несчастным случаям.
2. Убедитесь, что обрабатываемая деталь имеет надлежащую опору.
3. Некоторые материалы могут содержать токсичные химические вещества. Примите соответствующие меры предосторожности, чтобы избежать вдыхания или контакта с кожей таких веществ. Соблюдайте требования, указанные в паспорте безопасности материала.
4. Храните диски в соответствии с рекомендациями производителя. Неправильное хранение может привести к повреждению дисков.

## СОХРАНИТЕ ДАННЫЕ ИНСТРУКЦИИ.

**▲ОСТОРОЖНО: НЕ ДОПУСКАЙТЕ**, чтобы удобство или опыт эксплуатации данного устройства (полученный от многократного использования) доминировали над строгим соблюдением правил техники безопасности при обращении с этим устройством. **НЕПРАВИЛЬНОЕ ИСПОЛЬЗОВАНИЕ** инструмента или несоблюдение правил техники безопасности, указанных в данном руководстве, может привести к тяжелой травме.

### Важные правила техники безопасности для работы с аккумуляторным блоком

1. Перед использованием аккумуляторного блока прочитайте все инструкции и предупреждающие надписи на (1) зарядном устройстве, (2) аккумуляторном блоке и (3) инструменте, работающем от аккумуляторного блока.
  2. Не разбирайте блок аккумулятора и не меняйте его конструкцию. Это может привести к пожару, перегреву или взрыву.
  3. Если время работы аккумуляторного блока значительно сократилось, немедленно прекратите работу. В противном случае, может возникнуть перегрев блока, что приведет к ожогу и даже к взрыву.
4. В случае попадания электролита в глаза промойте их обильным количеством чистой воды и немедленно обратитесь к врачу. Это может привести к потере зрения.
  5. Не замыкайте контакты аккумуляторного блока между собой:
    - (1) Не прикасайтесь к контактам какими-либо токопроводящими предметами.
    - (2) Не храните аккумуляторный блок в контейнере вместе с другими металлическими предметами, такими как гвозди, монеты и т. п.
    - (3) Не допускайте попадания на аккумуляторный блок воды или дождя.
 Замыкание контактов аккумуляторного блока между собой может привести к возникновению большого тока, перегреву, возможным ожогам и даже поломке блока.
  6. Не храните и не используйте инструмент и аккумуляторный блок в местах, где температура может достигать или превышать 50 °C (122 °F).
  7. Не бросайте аккумуляторный блок в огонь, даже если он сильно поврежден или полностью вышел из строя. Аккумуляторный блок может взорваться под действием огня.
  8. Запрещено вбивать гвозди в блок аккумулятора, резать, ломать, бросать, ронять блок аккумулятора или ударять его твердым предметом. Это может привести к пожару, перегреву или взрыву.
  9. Не используйте поврежденный аккумуляторный блок.
  10. Входящие в комплект литий-ионные аккумуляторы должны эксплуатироваться в соответствии с требованиями законодательства об опасных товарах.
 

При коммерческой транспортировке, например, третьей стороной или экспедитором, необходимо нанести на упаковку специальные предупреждения и маркировку.

В процессе подготовки устройства к отправке обязательно проконсультируйтесь со специалистом по опасным материалам. Также соблюдайте местные требования и нормы. Они могут быть строже.

Закройте или закрепите разомкнутые контакты и упакуйте аккумулятор так, чтобы он не перемещался по упаковке.
  11. Для утилизации блока аккумулятора извлеките его из инструмента и утилизируйте безопасным способом. Выполняйте требования местного законодательства по утилизации аккумуляторного блока.
  12. Используйте аккумуляторы только с продукцией, указанной Makita. Установка аккумуляторов на продукцию, не соответствующую требованиям, может привести к пожару, перегреву, взрыву или утечке электролита.
  13. Если инструментом не будут пользоваться в течение длительного периода времени, извлеките аккумулятор из инструмента.

14. Во время и после использования блок аккумулятора может нагреваться, что может стать причиной ожогов или низкотемпературных ожогов. Будьте осторожны при обращении с горячим блоком аккумулятора.
15. Не прикасайтесь к контактам инструмента сразу после использования, поскольку они могут быть достаточно горячими, чтобы вызвать ожоги.
16. Не допускайте налипания на контакты, отверстия и пазы блока аккумулятора опилок, пыли или земли. Это может стать причиной перегрева, возгорания, взрыва или неисправности инструмента или блока аккумулятора, что может привести к ожогам или травмам.
17. Если инструмент не рассчитан на использование вблизи высоковольтных линий электропередач, не используйте блок аккумулятора вблизи высоковольтных линий электропередач. Это может привести к неисправности, поломке инструмента или блока аккумулятора.
18. Храните аккумулятор в недоступном для детей месте.

## СОХРАНИТЕ ДАННЫЕ ИНСТРУКЦИИ.

**ВНИМАНИЕ:** Используйте только фирменные аккумуляторные батареи Makita. Использование аккумуляторных батарей, не произведенных Makita, или батарей, которые были подвергнуты модификациям, может привести к взрыву аккумулятора, пожару, травмам и повреждению имущества. Это также автоматически аннулирует гарантию Makita на инструмент и зарядное устройство Makita.

## Советы по обеспечению максимального срока службы аккумулятора

1. Заряжайте блок аккумуляторов перед его полной разрядкой. Обязательно прекратите работу с инструментом и зарядите блок аккумуляторов, если вы заметили снижение мощности инструмента.
2. Никогда не подзаряжайте полностью заряженный блок аккумуляторов. Перезарядка сокращает срок службы аккумулятора.
3. Заряжайте блок аккумуляторов при комнатной температуре в 10 - 40 °C (50 - 104 °F). Перед зарядкой горячего блока аккумуляторов дайте ему остыть.
4. Если блок аккумулятора не используется, извлеките его из инструмента или зарядного устройства.
5. Зарядите ионно-литиевый аккумуляторный блок, если вы не будете пользоваться инструментом длительное время (более шести месяцев).

## ОПИСАНИЕ РАБОТЫ

**ВНИМАНИЕ:** Перед регулировкой или проверкой функций инструмента обязательно убедитесь, что он выключен и его аккумуляторный блок снят.

## Установка или снятие блока аккумуляторов

**ВНИМАНИЕ:** Обязательно выключайте инструмент перед установкой и извлечением аккумуляторного блока.

**ВНИМАНИЕ:** При установке и извлечении аккумуляторного блока крепко удерживайте инструмент и аккумуляторный блок. Если не соблюдать это требование, они могут выскользнуть из рук, что приведет к повреждению инструмента, аккумуляторного блока и травмированию оператора.

► **Рис.1:** 1. Красный индикатор 2. Кнопка 3. Блок аккумулятора

Для снятия аккумуляторного блока нажмите кнопку на лицевой стороне и извлеките блок.

Для установки блока аккумулятора совместите выступ блока аккумулятора с пазом в корпусе и задвиньте его на место. Устанавливайте блок до упора, чтобы он зафиксировался с небольшим щелчком. Если вы видите красный индикатор, как показано на рисунке, он не зафиксирован полностью.

**ВНИМАНИЕ:** Обязательно устанавливайте блок аккумулятора до конца, чтобы красный индикатор не был виден. В противном случае блок аккумулятора может выпасть из инструмента и нанести травму вам или другим людям.

**ВНИМАНИЕ:** Не прилагайте чрезмерных усилий при установке аккумуляторного блока. Если блок не двигается свободно, значит он вставлен неправильно.

## Индикация оставшегося заряда аккумулятора

*Только для блоков аккумулятора с индикатором*

► **Рис.2:** 1. Индикаторы 2. Кнопка проверки

Нажмите кнопку проверки на аккумуляторном блоке для проверки заряда. Индикаторы загорятся на несколько секунд.

Индикаторы			Уровень заряда
Горит	Выкл.	Мигает	
■	□	▧	от 75 до 100%
■ ■ ■ ■			от 50 до 75%
■ ■	□ □		от 25 до 50%
■	□ □ □ □		от 0 до 25%
▧	□ □ □ □		Зарядите аккумуляторную батарею.
■ ■ □ □	□ □ ■ ■		Возможно, аккумуляторная батарея неисправна.

**ПРИМЕЧАНИЕ:** В зависимости от условий эксплуатации и температуры окружающего воздуха индикация может незначительно отличаться от фактического значения.

**ПРИМЕЧАНИЕ:** Первая (дальняя левая) индикаторная лампа будет мигать во время работы защитной системы аккумулятора.

## Система защиты инструмента/аккумулятора

На инструменте предусмотрена система защиты инструмента/аккумулятора. Она автоматически отключает питание двигателя для продления срока службы инструмента и аккумулятора. Инструмент автоматически остановится во время работы при возникновении указанных ниже ситуаций. В некоторых ситуациях загораются индикаторы.

### Защита от перегрузки

При работе в режиме, чрезмерно повышающем потребление тока, инструмент автоматически останавливается, а индикатор работы начинает мигать. В этом случае выключите инструмент и прекратите работу, из-за которой произошла перегрузка инструмента. Затем включите инструмент для перезапуска.

### Защита от перегрева

При перегреве инструмента/аккумулятора инструмент автоматически останавливается и начинает мигать индикатор работы. В таком случае дайте инструменту остыть перед повторным включением.

### Защита от переразрядки

При истощении заряда аккумулятора инструмент автоматически останавливается. Если инструмент не работает после нажатия выключателя, извлеките аккумулятор из инструмента и зарядите его.

## Защита от других неполадок

Система защиты также обеспечивает защиту от других неполадок, способных повредить инструмент, и обеспечивает автоматическую остановку инструмента. В случае временной остановки или прекращения работы инструмента выполните все перечисленные ниже действия для устранения причины остановки.

1. Выключите и снова включите инструмент для его перезапуска.
2. Зарядите аккумулятор(-ы) или замените его(их) заряженным(-и).
3. Дайте инструменту и аккумулятору(-ам) остыть.

Если после возврата системы защиты в исходное состояние ситуация не изменится, обратитесь в сервисный центр Makita.

## Действие выключателя

**⚠ОСТОРОЖНО: ЗАПРЕЩАЕТСЯ** использовать инструмент, когда он работает при простом нажатии на триггерный переключатель без нажатия на кнопку разблокировки. Требующий ремонта инструмент может случайно включиться и причинить тяжелую травму. Верните инструмент в сервисный центр Makita для надлежащего ремонта ДО продолжения его эксплуатации.

**⚠ОСТОРОЖНО: ЗАПРЕЩАЕТСЯ** нарушать работу кнопки разблокировки, заклеивая ее скотчем или другими способами. Выключатель с неработающей кнопкой разблокировки может стать причиной случайного включения и причинения тяжелой травмы.

**⚠ВНИМАНИЕ:** Перед установкой аккумуляторного блока в инструмент обязательно убедитесь, что его триггерный переключатель нормально работает и возвращается в положение "OFF" (ВЫКЛ) при отпускании.

**⚠ВНИМАНИЕ:** Не нажимайте сильно на триггерный переключатель без нажатия на кнопку разблокировки. Это может привести к поломке переключателя.

**⚠ВНИМАНИЕ:** Механизм торможения диска начинает действовать сразу после отпускания триггерного переключателя. Крепко держите инструмент, чтобы при отпускании триггерного переключателя противодействовать отдаче механизма торможения. В противном случае вы можете выпустить инструмент из рук и травмироваться.

Для предотвращения случайного нажатия триггерного переключателя предусмотрена кнопка разблокировки. Для запуска инструмента нажмите и удерживайте кнопку разблокировки, а затем потяните триггерный переключатель. Для остановки инструмента отпустите триггерный переключатель.

► **Рис.3:** 1. Триггерный переключатель 2. Кнопка разблокировки

## Выбор диска

**ВНИМАНИЕ:** Номинальная скорость принадлежностей должна быть как минимум равна максимальной скорости, обозначенной на электроинструменте. При превышении номинальной скорости принадлежности она может разломиться, и ее части могут разлететься в стороны.

**ВНИМАНИЕ:** Диски должны использоваться только по назначению.

Выберите один из наиболее подходящих типов отрезных дисков с учетом своей сферы применения.

Тип диска	Практическое применение
Отрезной диск	Резка стали, нержавеющей стали, металлов
Диск с карбид-вольфрамовой крошкой	Резка пластмасс, гипса, композиционных материалов
Алмазный диск	Резка плитки, керамики

## Направление вращения диска

**ВНИМАНИЕ:** Перед работой всегда проверьте направление вращения.

**ВНИМАНИЕ:** Используйте реверсирующий переключатель только после полной остановки инструмента. Непредвиденное переключение направления вращения во время работы приводит к резкой остановке инструмента в целях безопасности.

Направление вращения диска может меняться на прямое или обратное.

Для установки прямого направления вращения сдвиньте реверсирующий переключатель влево до появления на нем индикации "F".

Для выбора обратного направления вращения сдвиньте реверсирующий переключатель вправо до появления на нем индикации "R".

► Рис.4: 1. Реверсирующий переключатель

Стружка, отходы, искры и опилки обычно вылетают по касательной к траектории вращения диска. Во избежание регулярного попадания опилок используйте кожух диска должным образом, чтобы он мог отводить опилки и прочие образующихся частицы в другом направлении.

Реакция на быстрый останов вращающегося диска может привести к неконтролируемому движению инструмента в направлении, противоположном вращению диска.

**Вращение в прямом направлении**

► Рис.5: 1. Опилки 2. Реакции

**Вращение в противоположном направлении**

► Рис.6: 1. Опилки 2. Реакции

## Кожух диска

**ВНИМАНИЕ:** Перед началом работы убедитесь в том, что кожух диска правильно и прочно установлен за отрезным диском.

Закрепите кожух диска в удобном положении, обеспечивающем максимальную безопасность и минимальную подверженность возможным факторам риска, в соответствии со своими условиями работы и предпочтениями.

**Положение при вращении в прямом направлении**

► Рис.7: 1. Кожух диска 2. Отрезной диск

**Положение при вращении в обратном направлении**

► Рис.8: 1. Кожух диска 2. Отрезной диск

## Фиксатор вала

Нажмите на фиксатор вала для предотвращения вращения шпинделя при установке и снятии отрезного диска.

► Рис.9: 1. Фиксатор вала

**ПРИМЕЧАНИЕ:** Никогда не задействуйте фиксатор вала при вращающемся шпинделе. Это может привести к повреждению инструмента.

## Индикатор работы

**ВНИМАНИЕ:** Не смотрите непосредственно на свет или источник света.

Для включения индикатора работы нажмите и удерживайте кнопку разблокировки, а затем потяните триггерный переключатель.

Лампа гаснет приблизительно через 15 секунд после отпускания триггерного переключателя.

► Рис.10: 1. Индикатор работы

**ПРИМЕЧАНИЕ:** При работе инструмента с чрезмерной нагрузкой индикатор работы начинает мигать. В этой ситуации отпустите триггерный переключатель и снизьте нагрузку на инструмент перед продолжением работы.

**ПРИМЕЧАНИЕ:** При перегреве инструмента индикатор работы начинает мигать. В этом случае отпустите триггерный переключатель и дайте инструменту/аккумулятору остыть перед продолжением работы.

**ПРИМЕЧАНИЕ:** Для удаления пыли с линзы лампы используйте сухую ткань. Не допускайте возникновения царапин на линзе лампы, так как это приведет к снижению освещенности.

## Регулировка глубины пропила

**ВНИМАНИЕ:** После регулировки глубины резки обязательно следует плотно затянуть барашковый винт.

При установленной крышке пылесборника можно про-  
извести точную регулировку глубины резки до 13,5 мм.

Ослабьте барашковый винт на шкале глубины.  
Поднимите или опустите рукоятку инструмента в  
положение, при котором индикаторы глубины на  
крышке совмещаются с желаемой глубиной резки на  
шкале. Затем затяните барашковый винт.

- **Рис.11:** 1. Барашковый винт 2. Шкала глубины  
3. Индикатор глубины

**▲ВНИМАНИЕ:** Для чистого и безопасного реза-  
ния устанавливайте глубину резки таким образом,  
чтобы отрезной диск заходил за нижнюю поверх-  
ность обрабатываемой детали не более чем на  
2,0 мм. Установка надлежащей глубины резки  
снижает вероятность опасной отдачи, способной  
причинить травму.

## Наведение для прямой резки

При установленной крышке пылесборника прямая  
резка может безопасно производиться путем совме-  
щения отрезного диска с направлением резки до ее  
фактического выполнения.

Совместите направляющий паз в основании крышки  
пылесборника с предполагаемой линией разреза на  
обрабатываемой детали.

- **Рис.12:** 1. Направляющий паз 2. Основание  
3. Линия разреза

## Подключение пылесоса

### Дополнительная принадлежность

При необходимости выполнения чистой резки под-  
ключите пылесос Makita к пылесборному патрубку в  
крышке пылесборника с помощью передних патруб-  
ков 22 (дополнительная принадлежность).

- **Рис.13:** 1. Передние патрубки 22  
2. Пылесборный патрубок 3. Шланг  
4. Пылесос

## Функция предотвращения случайного запуска

При установке блока аккумулятора с оттянутым три-  
ггерным переключателем инструмент не запустится.  
Для запуска инструмента сначала отпустите триггерный  
переключатель. Нажмите и удерживайте кнопку разбл-  
кировки, а затем потяните триггерный переключатель.

## Электронная функция

Для простоты эксплуатации инструмент оснащен  
электронными функциями.

- Электрический тормоз  
Этот инструмент оснащен электрическим тормозом. Если после отпускания триггерного переключателя не происходит быстрого прекращения работы инструмента, отправьте инструмент в сервисный центр Makita для обслуживания.
- Постоянный контроль скорости  
Функция контроля скорости обеспечивает неизменное число оборотов независимо от нагрузки.

- Функция распознавания активной обратной связи

С помощью электронного устройства инстру-  
мент определяет, что существует риск защем-  
ления диска или другой принадлежности. При  
выявлении таких рисков инструмент автомати-  
чески отключается для предотвращения даль-  
нейшего вращения шпинделя (это не предот-  
вращает отдачу).

Чтобы перезапустить инструмент, сначала  
отключите его. Устраните причину внезапного  
снижения скорости вращения и вновь включите  
инструмент.

## СБОРКА

**▲ВНИМАНИЕ:** Перед проведением каких-  
либо работ с инструментом обязательно  
убедитесь, что инструмент отключен, а блок  
аккумулятора снят.

## Хранение шестигранного ключа

Когда шестигранный ключ не используется, храните  
его, как показано на рисунке, чтобы не потерять.

- **Рис.14:** 1. Шестигранный ключ

## Снятие и установка отрезного диска

**▲ВНИМАНИЕ:** Для снятия и установки отрез-  
ного диска используйте только шестигранный  
ключ Makita.

**▲ВНИМАНИЕ:** При установке отрезного  
диска надежно затяните болт.

**ПРИМЕЧАНИЕ:** При установке алмазного  
диска, для обеспечения его оптимальной  
работы обязательно убедитесь в том, что  
направление изображенных на нем стре-  
лок совпадает с нужным направлением его  
вращения.

Для снятия отрезного диска надавите на фиксатор  
вала до упора, чтобы отрезной диск не мог вра-  
щаться, а затем поверните болт с шестигранной  
головкой против часовой стрелки с помощью шести-  
гранного ключа. Затем снимите болт с шестигранной  
головкой, внешний фланец и отрезной диск.

- **Рис.15:** 1. Фиксатор вала 2. Шестигранный  
ключ 3. Болт с шестигранной головкой  
4. Ослабить 5. Затянуть

**ПРИМЕЧАНИЕ:** Если внутренний фланец  
был снят, установите его обратно на шпиндель  
таким образом, чтобы деталь для крепления  
диска была направлена вверх.

Для установки отрезного диска выполните проце-  
дуру снятия в обратном порядке.

- **Рис.16:** 1. Болт с шестигранной головкой  
2. Наружный фланец 3. Отрезной диск  
4. Внутренний фланец 5. Шпиндель

## Установка и снятие крышки пылесборника

**⚠ВНИМАНИЕ:** Перед началом работы убедитесь в том, что кожух диска надежно зафиксирован стопором внутри крышки пылесборника.

**⚠ВНИМАНИЕ:** Не используйте крышку пылесборника при выполнении слесарных работ, ведущих к образованию тепловых эффектов и летящих искр, поскольку это может вызвать расплавление пластмассовых частей крышки пылесборника.

Крышка пылесборника повышает безопасность и эффективность резки, обеспечивая защиту от вращающегося диска, устойчивость процесса резания, точный контроль глубины резки и отвод образующейся пыли, особенно при резке плитки, гипса или керамических материалов.

### Установка крышки пылесборника

1. Ослабьте барашковый винт на шкале глубины крышки пылесборника. Поднимите крышку вверх до упора, а затем затяните барашковый винт для закрепления крышки пылесборника в поднятом положении.

► **Рис.17:** 1. Барашковый винт 2. Шкала глубины 3. Крышка пылесборника

2. Установите кожух диска на инструмент в положение, соответствующее вращению вперед.

► **Рис.18:** 1. Кожух диска

3. Слегка поднимите рукоятку инструмента и поместите переднюю половину кожуха диска под углом в крышку пылесборника, отпустив нижнюю часть отрезного диска вниз через гнездо для диска в основании.

► **Рис.19:** 1. Кожух диска 2. Крышка пылесборника 3. Отрезной диск 4. Гнездо для диска

4. Установите заднюю половину кожуха диска в крышку пылесборника, опустив рукоятку инструмента из верхнего в нижнее положение.

► **Рис.20:** 1. Кожух диска 2. Крышка пылесборника

5. Снова поднимите рукоятку инструмента, чтобы зацепить заднюю кромку кожуха диска за стопор внутри крышки пылесборника.

► **Рис.21:** 1. Кожух диска 2. Стопор

6. Ослабьте барашковый винт. Покачайте инструмент вверх-вниз при нужной глубине резки. Затем затяните барашковый винт для фиксации инструмента в нужном положении.

### Снятие крышки пылесборника

1. Ослабьте барашковый винт на шкале глубины крышки пылесборника. Поднимите рукоятку инструмента вверх до упора, а затем затяните барашковый винт для фиксации крышки пылесборника в поднятом положении.

► **Рис.22:** 1. Барашковый винт 2. Шкала глубины 3. Крышка пылесборника

2. Сдвиньте рычаг разблокировки в сторону барашкового винта для высвобождения кожуха диска из стопора внутри крышки пылесборника.

► **Рис.23:** 1. Рычаг разблокировки 2. Барашковый винт 3. Кожух диска 4. Крышка пылесборника 5. Стопор

3. Выньте заднюю половину кожуха диска из крышки пылесборника, опустив рукоятку инструмента из верхнего в нижнее положение.

► **Рис.24:** 1. Кожух диска 2. Крышка пылесборника

4. Потяните переднюю половину кожуха диска под небольшим углом вверх и наружу в направлении от крышки пылесборника.

► **Рис.25:** 1. Кожух диска 2. Крышка пылесборника

## ЭКСПЛУАТАЦИЯ

**⚠ВНИМАНИЕ:** Крепко держите инструмент во время работы.

**⚠ВНИМАНИЕ:** Не прикладывайте к инструменту излишних усилий. Принудительное и чрезмерное нажатие или сгибание, а также зажатие или скручивание диска в разрезе могут привести к перегреву двигателя и опасной отдаче инструмента.

**⚠ВНИМАНИЕ:** При резке пластмасс ни в коем случае не допускайте перегрева отрезного диска. Это может привести к расплавлению обрабатываемой детали.

**⚠ВНИМАНИЕ:** Не стучите и не ударяйте по диску при запуске или во время работы.

**⚠ВНИМАНИЕ:** Во время работы обязательно надевайте защитные очки или защитную маску.

**⚠ВНИМАНИЕ:** После работы обязательно отключайте инструмент и дождитесь полной остановки диска перед тем, как положить инструмент.

### Резка вниз

**ПРИМЕЧАНИЕ:** Будьте осмотрительны при использовании эффективной режущей поверхности диска, чтобы избежать попадания под летящие опилки.

**ПРИМЕЧАНИЕ:** Удерживайте отрезной диск в прямом положении внутри обрабатываемой детали во избежание наклона или раскачивания инструмента во время работы.

Правильно располагайте кожух диска для обеспечения максимальной защиты от искр и частиц, вылетающих из-под отрезного диска. Располагайте инструмент на обрабатываемой детали, не допуская какого-либо контакта с отрезным диском. Включите инструмент и дождитесь, пока отрезной диск не наберет максимальную скорость вращения. Затем медленно опустите инструмент на поверхность обрабатываемой детали с умеренным усилием подачи в соответствии со своей целью применения.

**Вращение в прямом направлении**

► **Рис.26**

**Вращение в противоположном направлении**

► **Рис.27**



## Прямая резка

**⚠ ВНИМАНИЕ:** При работе инструмента отрезной диск обязательно должен двигаться впритирку к обрабатываемой детали. В противном случае инструмент может неконтролируемо выскочить из разреза.

**ПРИМЕЧАНИЕ:** Сохраняйте линию разреза прямой и прикладывайте постоянное давление для получения ровного разреза по всей обрабатываемой детали.

Поместите опорную пластину крышки пылесборника на обрабатываемую деталь, не допуская ее контакта с отрезным диском. Включите инструмент и дождитесь, пока отрезной диск не наберет максимальную скорость вращения. Затем медленно перемещайте инструмент по поверхности обрабатываемой детали, ровно удерживая его в горизонтальной плоскости и аккуратно подавая его вперед до полного завершения резки. Для выполнения резки от себя установите вращение в обратном направлении, а при выполнении резки на себя — в прямом направлении.

Резка от себя с вращением в обратном направлении  
► Рис.28

Резка на себя с вращением в прямом направлении  
► Рис.29

**ПРИМЕЧАНИЕ:** Следует иметь в виду, что при резке на себя крышка пылесборника функционирует менее эффективно, поскольку часть опилок распределяется внутри крышки против потока пылеудаления.

## ОБСЛУЖИВАНИЕ

**⚠ ВНИМАНИЕ:** Перед проведением проверки или работ по техобслуживанию всегда проверяйте, что инструмент выключен, а блок аккумуляторов снят.

**ПРИМЕЧАНИЕ:** Запрещается использовать бензин, растворители, спирт и другие подобные жидкости. Это может привести к обесцвечиванию, деформации и трещинам.

Для обеспечения БЕЗОПАСНОСТИ и НАДЕЖНОСТИ оборудования ремонт, любое другое техобслуживание или регулировку необходимо производить в уполномоченных сервис-центрах Makita или сервис-центрах предприятия с использованием только сменных частей производства Makita.

## Правка алмазного диска

При ухудшении характеристик резки алмазного диска воспользуйтесь старым отбракованным крупнозернистым диском настольного точильного станка или бетонным блоком для правки алмазного диска. Для этого надежно закрепите диск настольного точильного станка или бетонный блок и сделайте в нем вырез.

## После использования

Удалите пыль с внутренней части инструмента, включив его вхолостую на некоторое время. Скопление пыли в двигателе может привести к выходу инструмента из строя.

## Очистка кожуха диска и крышки пылесборника

Регулярно очищайте кожух диска и крышку пылесборника изнутри. Выдувайте или сметайте всю скопившуюся в них грязь и пыль.

► Рис.30: 1. Кожух диска 2. Крышка пылесборника

## Очистка вентиляционного отверстия

Регулярно очищайте вентиляционные отверстия для обеспечения беспрепятственной циркуляции воздуха. Снимайте пылезащитный кожух с впускного вентиляционного отверстия и очищайте его при любом загрязнении и закупоривании.

► Рис.31: 1. Пылезащитный кожух 2. Впускное вентиляционное отверстие

## ДОПОЛНИТЕЛЬНЫЕ ПРИНАДЛЕЖНОСТИ

**⚠ ВНИМАНИЕ:** Данные принадлежности или приспособления рекомендуются для использования с инструментом Makita, указанным в настоящем руководстве. Использование других принадлежностей или приспособлений может привести к получению травмы. Используйте принадлежность или приспособление только по указанному назначению.

Если вам необходимо содействие в получении дополнительной информации по этим принадлежностям, свяжитесь с вашим сервис-центром Makita.

- Отрезной диск
- Алмазный диск
- Диск с карбид-вольфрамовой крошкой
- Шестигранный ключ
- Оригинальный аккумулятор и зарядное устройство Makita

**ПРИМЕЧАНИЕ:** Некоторые элементы списка могут входить в комплект инструмента в качестве стандартных приспособлений. Они могут отличаться в зависимости от страны.

© KOMFORT

© KOMFORT



**Makita Europe N.V.** Jan-Baptist Vinkstraat 2,  
3070 Kortenberg, Belgium

**Makita Corporation** 3-11-8, Sumiyoshi-cho,  
Anjo, Aichi 446-8502 Japan

[www.makita.com](http://www.makita.com)

885963A984  
EN, SV, NO, FI, DA,  
LV, LT, ET, RU  
20211229