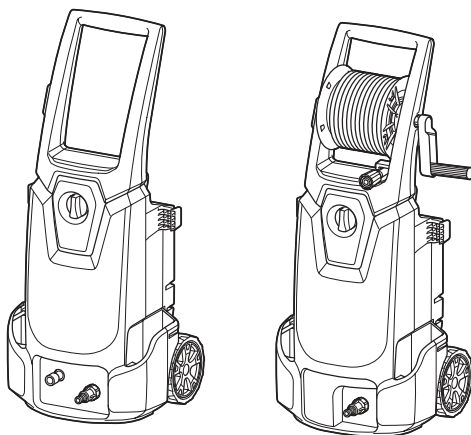




EN	High Pressure Washer	INSTRUCTION MANUAL	8
SV	Högtryckstvätt	BRUKSANVISNING	17
NO	Høytrykksspyler	BRUKSANVISNING	26
FI	Korkeapainepesuri	KÄYTTÖOHJE	35
LV	Augstspiediena mazgāšanas ierīce	LIETOŠANAS INSTRUKCIJA	44
LT	Aukšto slėgio plovimo aparatas	NAUDOJIMO INSTRUKCIJA	54
ET	Kõrgsurvepesur	KASUTUSJUHEND	63
RU	Водоструйный аппарат высокого давления	РУКОВОДСТВО ПО ЭКСПЛУАТАЦИИ	72

**HW1200**  
**HW1300**



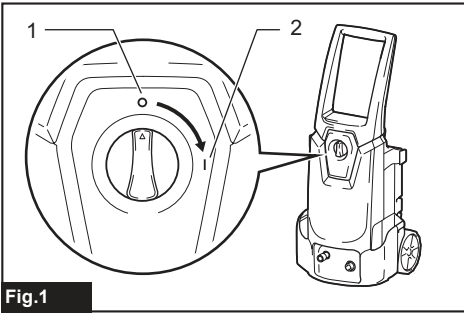


Fig.1

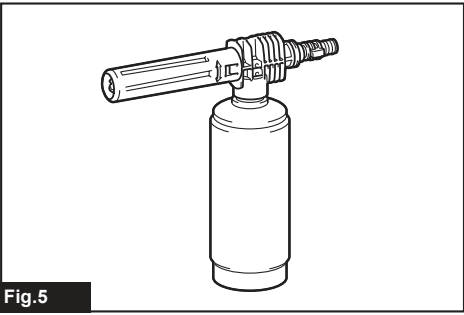


Fig.5

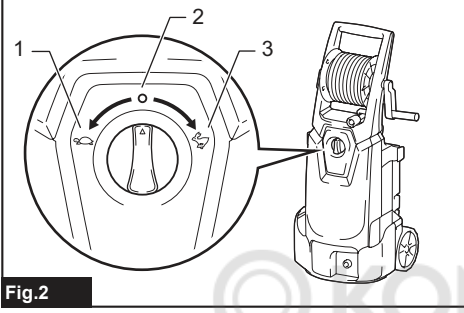


Fig.2

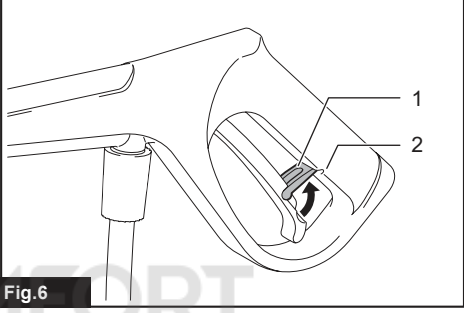


Fig.6

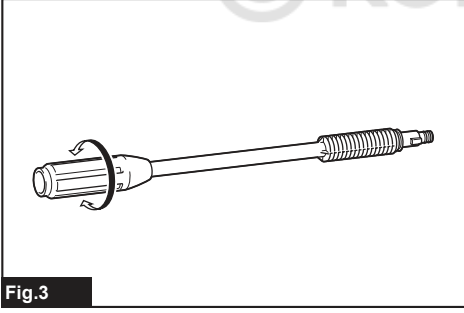


Fig.3

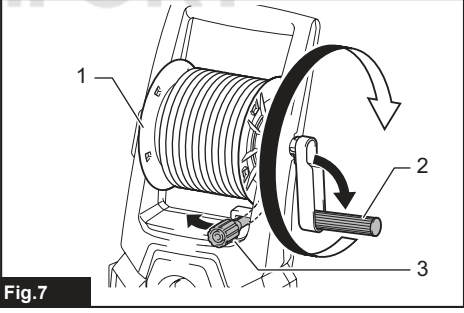


Fig.7

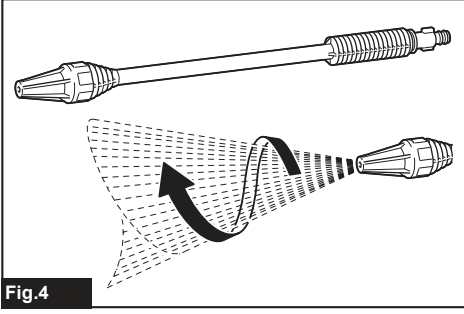


Fig.4

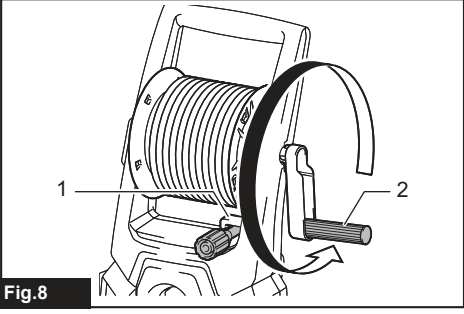


Fig.8

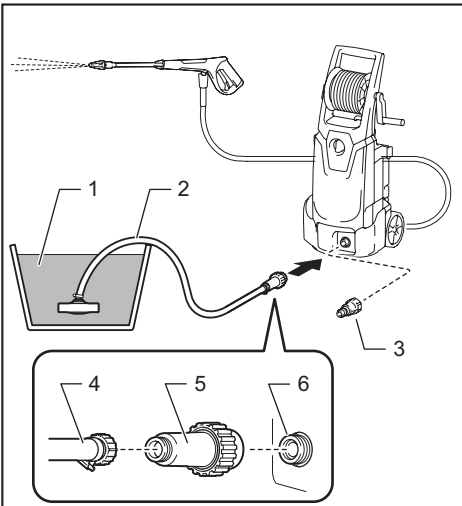


Fig.9

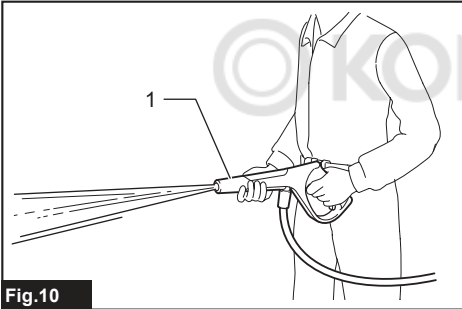


Fig.10

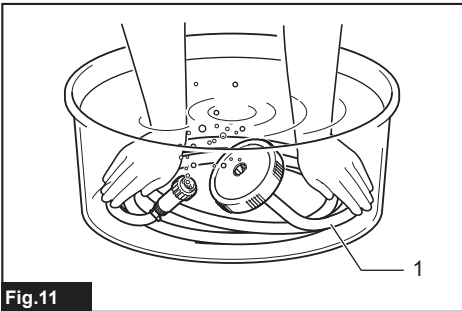


Fig.11

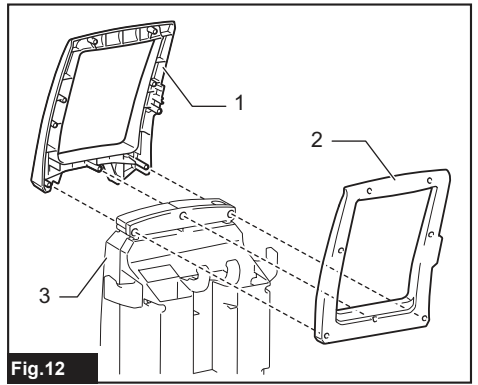


Fig.12

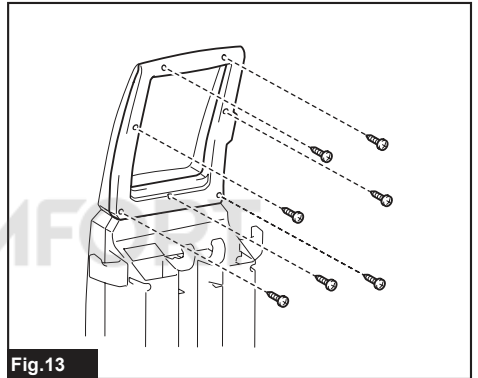


Fig.13

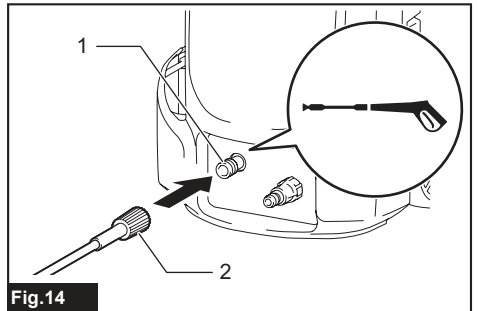


Fig.14

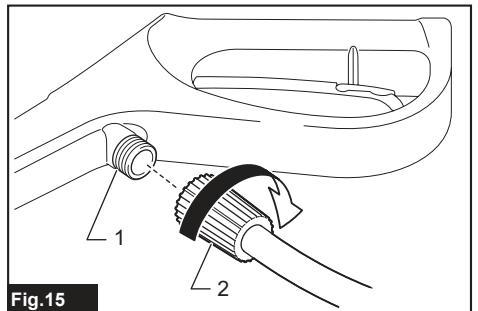
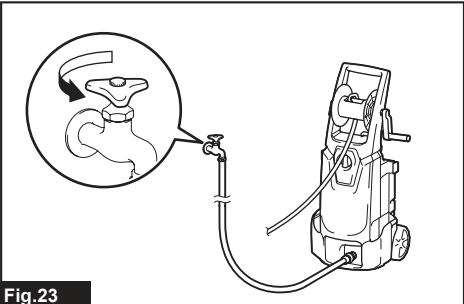
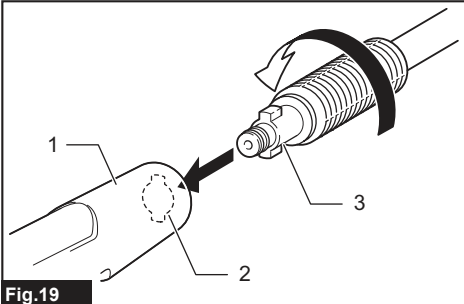
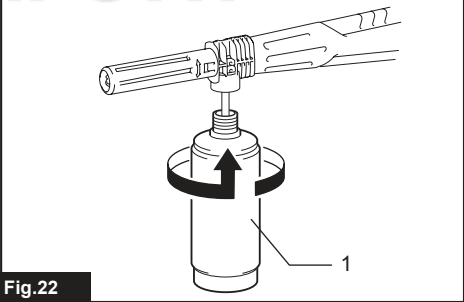
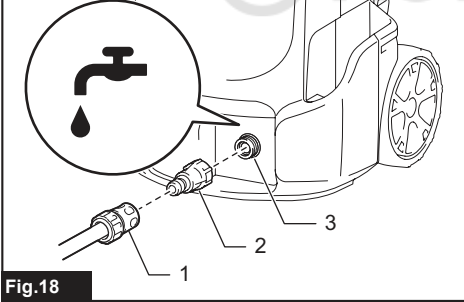
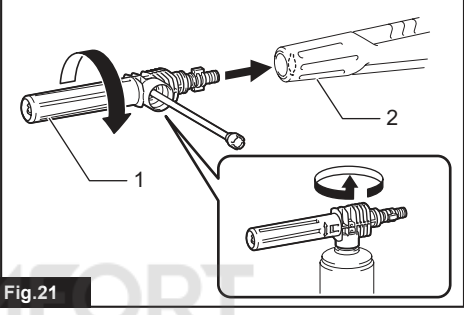
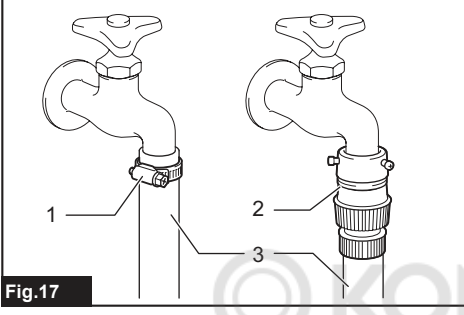
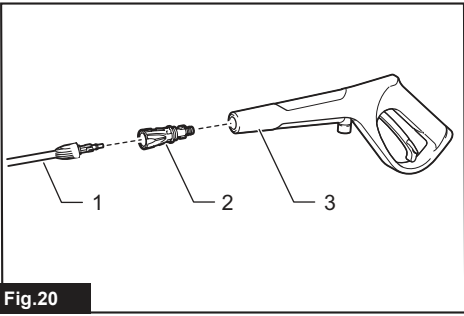
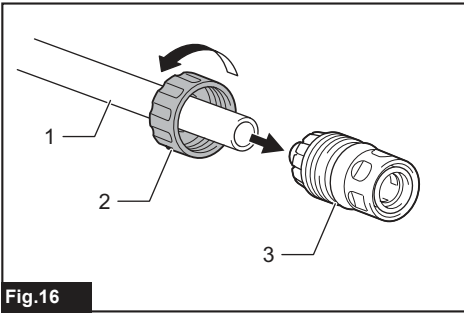


Fig.15



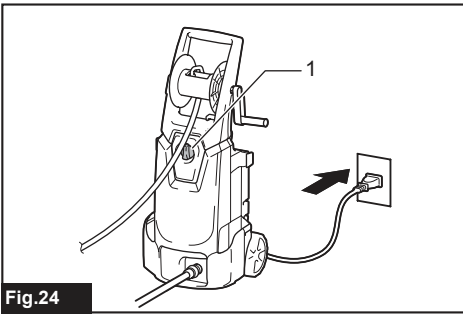


Fig.24

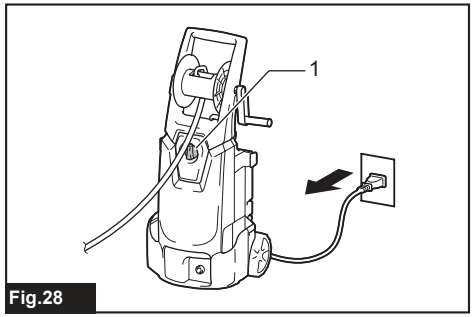


Fig.28

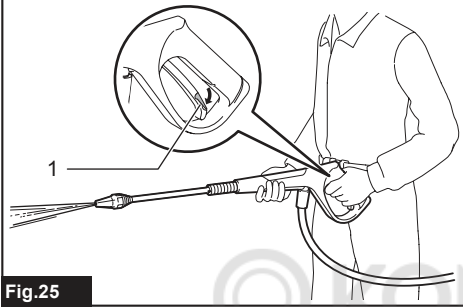


Fig.25

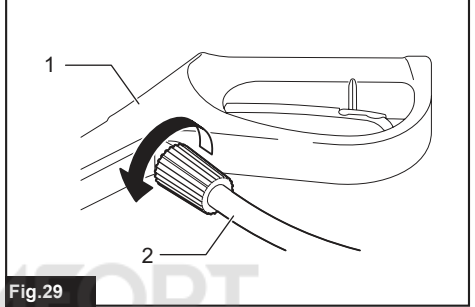


Fig.29

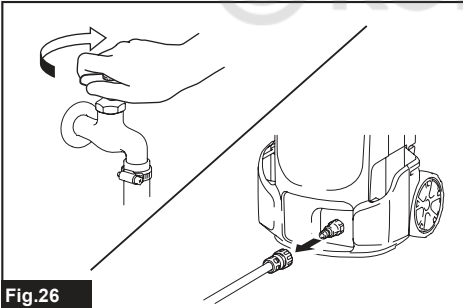


Fig.26

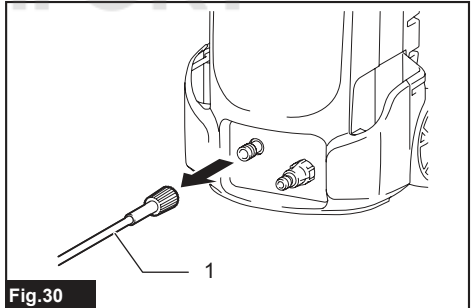


Fig.30

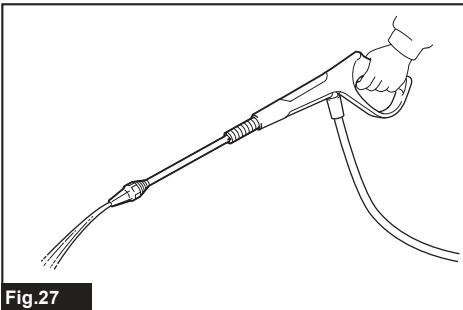


Fig.27

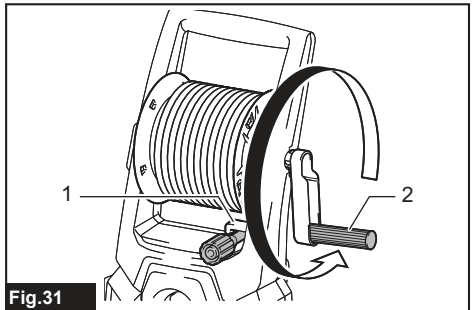


Fig.31

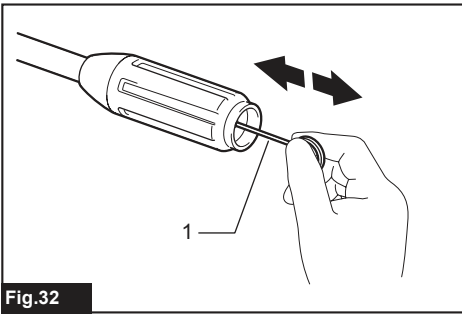


Fig.32

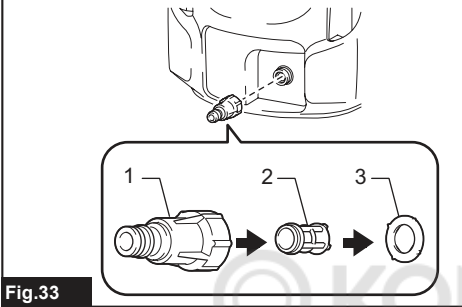


Fig.33

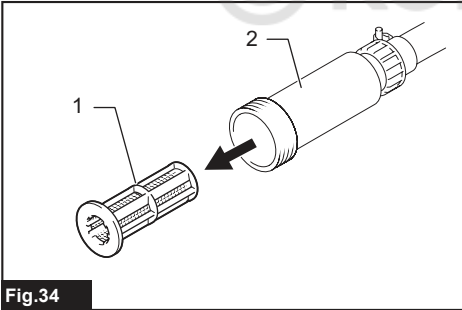


Fig.34

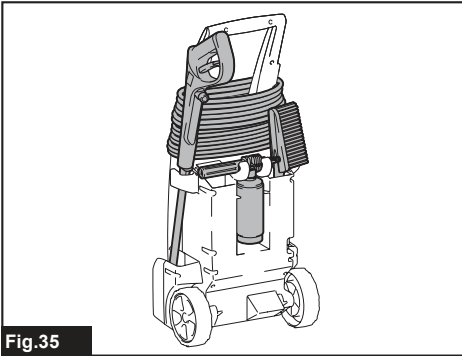


Fig.35

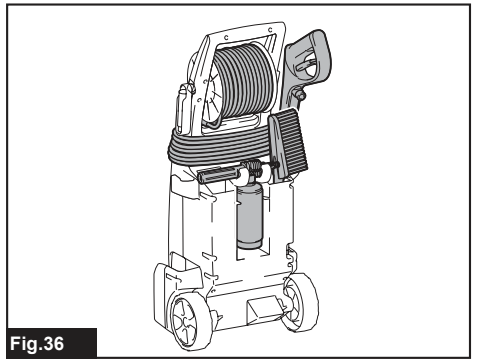


Fig.36

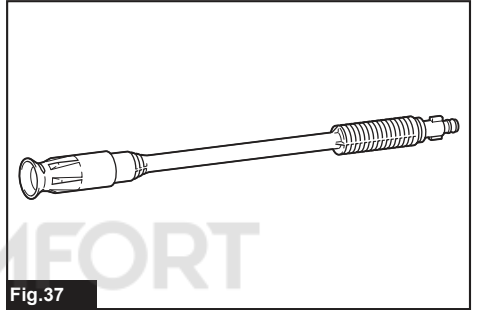


Fig.37

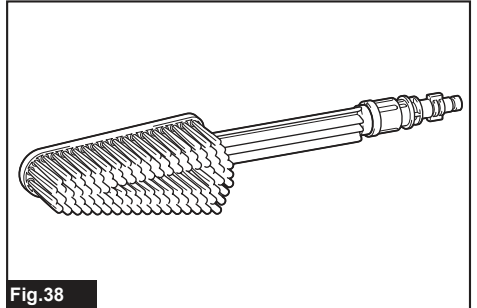


Fig.38

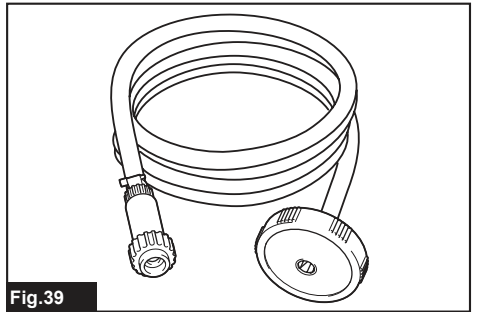


Fig.39

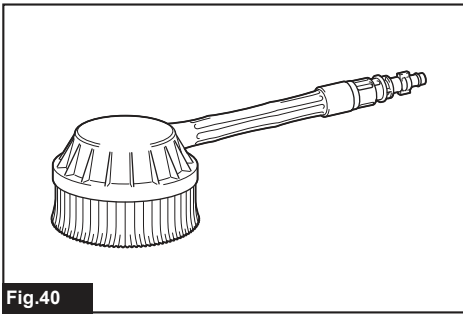


Fig.40

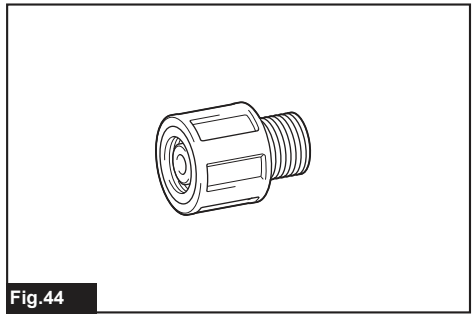


Fig.44

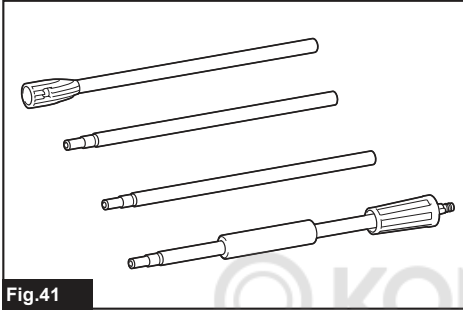


Fig.41

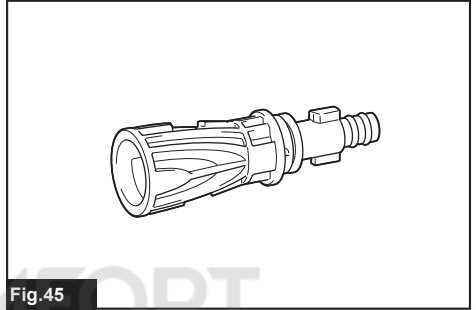


Fig.45

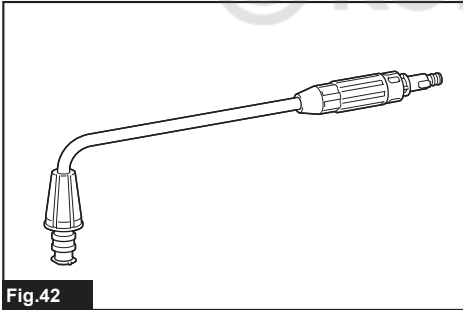


Fig.42

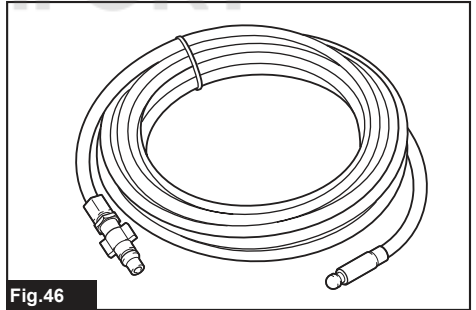


Fig.46

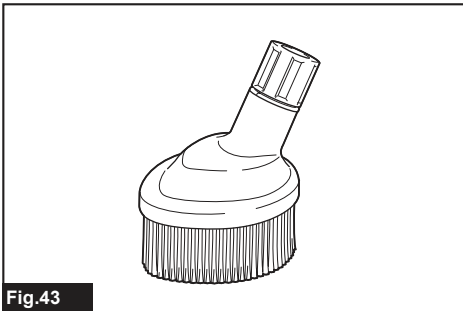


Fig.43

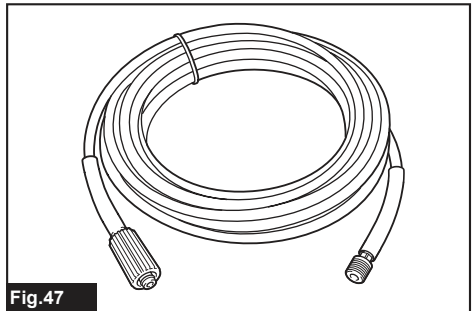


Fig.47

## WARNING

- Machines shall not be used by children. Children should be supervised to ensure that they do not play with the machine.
- This machine is not intended for use by persons (including children) with reduced physical, sensory, or mental capabilities, or lack of experience and knowledge.
- This machine has been designed for use with the cleaning agent supplied or recommended by the manufacturer. The use of other cleaning agents or chemicals may adversely affect the safety of the machine.
- High pressure jets can be dangerous if subject to misuse. The jet must not be directed at persons, live electrical equipment or the machine itself.
- Do not use the machine within range of persons unless they wear protective clothing.
- Do not direct the jet against yourself or others in order to clean clothes or foot-wear.
- Risk of explosion – Do not spray flammable liquids.
- High pressure cleaners shall not be used by children or untrained personnel.
- High pressure hoses, fittings and couplings are important for the safety of the machine. Use only hoses, fittings and couplings recommended by the manufacturer.
- To ensure machine safety, use only original spare parts from the manufacturer or approved by the manufacturer.
- Always be sure that the tool is switched off and unplugged before carrying out any work on the tool.
- Do not use the machine if a supply cord or important parts of the machine are damaged, e.g. safety devices, high pressure hoses, trigger gun.
- Inadequate extension cords can be dangerous. If an extension cord is used, it shall be suitable for outdoor use, and the connection has to be kept dry and off the ground. It is recommended that this is accomplished by means of a cord reel which keeps the socket at least 60 mm above the ground.



- Always switch off the mains disconnecting switch when leaving the machine unattended.
- Comply with the requirements of the local water supply company.
- For European countries:  
According to EN12729 (BA), the appliance can also be connected to the mains drinking water supply if a backflow preventer valve with drain facility is installed in the supply hose.






## SPECIFICATIONS

Model:		HW1200	HW1300
Max. feed volume		7.0 l/min	7.5 l/min
Water flow rate		5.5 l/min	6.0 l/min
Max. permissible pressure		12 MPa (120 bars)	13 MPa (130 bars)
Working pressure	High mode	10 MPa (100 bars)	11 MPa (110 bars)
	Low mode	-	8 MPa (80 bars)
Max. feed pressure		1 MPa (10 bars)	
Max. feed temperature		40 °C	
Max. suction height		1.0 m	
Dimensions (L x W x H)		292 mm x 358 mm x 830 mm	
Weight		11.0 kg	12.7 kg
Motor protection		IPX5	

- Due to our continuing program of research and development, the specifications herein are subject to change without notice.
- Specifications may differ from country to country.
- Weight according to EPTA-Procedure 01/2003

## Symbols

The following show the symbols used for the equipment. Be sure that you understand their meaning before use.

	Read the instruction manual.
	Take particular care and attention.
	DOUBLE INSULATION
	Only for EU countries Do not dispose of electric equipment together with household waste material! In observance of the European Directive, on Waste Electric and Electronic Equipment and its implementation in accordance with national law, electric equipment that have reached the end of their life must be collected separately and returned to an environmentally compatible recycling facility.
	Do not direct the jet at people including yourself, animals, and live electrical equipments.



Not suitable for connection to the potable water mains.

## Intended use

This tool is intended for cleaning stubborn dirt by using water jet. This tool is intended for household use.

## Power supply

The tool should be connected only to a power supply of the same voltage as indicated on the nameplate, and can only be operated on single-phase AC supply. They are double-insulated and can, therefore, also be used from sockets without earth wire.

## For public low-voltage distribution systems of between 220 V and 250 V

Switching operations of electric apparatus cause voltage fluctuations. The operation of this device under unfavorable mains conditions can have adverse effects to the operation of other equipment. With a mains impedance equal or less than 0.25 Ohms it can be presumed that there will be no negative effects. The mains socket used for this device must be protected with a fuse or protective circuit breaker having slow tripping characteristics.

## Noise

The typical A-weighted noise level determined according to EN60335-2-79:

### Model HW1200

Sound pressure level ( $L_{pA}$ ) : 72 dB(A)  
Uncertainty (K) : 3.8 dB(A)

### Model HW1300

Sound pressure level ( $L_{pA}$ ) : 76 dB(A)  
Uncertainty (K) : 2.4 dB(A)

The noise level under working may exceed 80 dB (A).

**⚠ WARNING: Wear ear protection.**

## Vibration

The vibration total value (tri-axial vector sum) determined according to EN60335-2-79:

### Model HW1200

Vibration emission ( $a_n$ ) : 4.11 m/s<sup>2</sup>  
Uncertainty (K) : 1.5 m/s<sup>2</sup>

### Model HW1300

Vibration emission ( $a_n$ ) : 4.86 m/s<sup>2</sup>  
Uncertainty (K) : 1.5 m/s<sup>2</sup>

**NOTE:** The declared vibration emission value has been measured in accordance with the standard test method and may be used for comparing one tool with another.

**NOTE:** The declared vibration emission value may also be used in a preliminary assessment of exposure.

**⚠ WARNING:** The vibration emission during actual use of the power tool can differ from the declared emission value depending on the ways in which the tool is used.

**⚠ WARNING:** Be sure to identify safety measures to protect the operator that are based on an estimation of exposure in the actual conditions of use (taking account of all parts of the operating cycle such as the times when the tool is switched off and when it is running idle in addition to the trigger time).

## EC Declaration of Conformity

### For European countries only

The EC declaration of conformity is included as Annex A to this instruction manual.

## SAFETY WARNINGS

**⚠ WARNING: Read all safety warnings and all instructions.** Failure to follow the warnings and instructions may result in electric shock, fire and/or serious injury.

## Save all warnings and instructions for future reference.

### Work area safety

1. Keep operating area clear of all persons.
2. Do not overreach or stand on unstable supports. Keep good footing and balance at all times.
3. Always place the high pressure washer body on a level and stable surface. Avoid areas where the ejected water will run or pool.
4. Before cleaning, check the surroundings and objects to be cleaned. High pressure jets can scrape away paint or other surface treatments including toxic chemicals. Take the preventive measures if necessary.
5. Be careful not to trip over by the cord or hose of the high pressure washer. Always be aware of the configuration of the cord and hose during operation.
6. During use, a small amount of water will come out from the bottom of the high pressure washer. Avoid locating the high pressure washer in the areas where you don't want to wet.

### Personal safety

1. To protect against the jet and objects by the jet, operators should wear appropriate clothing such as safety boots, safety gloves, safety helmets with visors, hearing protection, etc.
2. Do not use the high pressure washer within range of persons unless they wear protective clothing.
3. To reduce the risk of injury, close supervision is necessary when the product is used near children.
4. Water that has flowed through backflow preventer is considered to be non-potable.

### Electrical safety

1. Never use the high pressure washer outdoors in the rain.
2. Never touch the mains plug and/or socket with wet hands.
3. Do not use the machine if the supply cord or important parts of the machine are damaged, e.g. safety devices, high pressure hoses, or the trigger gun.
4. Plug must match the outlet. Never modify the plug in any way. Do not use any adapter plug with grounded tools. Unmodified plug and matching outlet will reduce risk of the electric shock.
5. Inadequate extension cords can be dangerous. If an extension cord is used, it shall be suitable for outdoor use, and the connection has to be kept dry and off the ground. It is recommended that this is accomplished by means of a cord reel which keeps the socket at least 60 mm above the ground.
6. Note the following when using extension cords:
  - Use only extension cords that are intended for outdoor use.

- Use only extension cords with an electrical rating equal to or higher than the rating of the product.
  - Do not use damaged extension cords.
  - Examine extension cords before use and replace if damaged.
  - Do not abuse extension cords and do not yank on cords to disconnect them.
  - Keep cords away from heat and sharp edges.
  - Always disconnect the extension cord from the receptacle before disconnecting the product from the extension cord.
7. The electric supply connection shall be made by a qualified electrician and comply with IEC 60364-1. It is recommended that the electric supply to this machine should include either a residual current device that will interrupt the supply if the leakage current to earth exceeds 30 mA for 30 ms or a device that will prove the earth circuit.

#### Power tool use and care

1. Read all the instructions before using the product.
2. Know how to stop the high pressure washer and bleed pressures quickly. Be thoroughly familiar with the controls.
3. High pressure jets can be dangerous if misused. The jet must not be directed at people, live electrical equipment, or the machine itself.
4. This machine is not intended for use by persons (including children) with reduced physical, sensory, or mental capabilities, or lack of experience and knowledge.
5. Children should be supervised to ensure that they do not play with the appliance.
6. Do not spray flammable and/or toxic liquids. This may cause an explosion, intoxication, or damage to the machine.
7. Do not direct the jet against yourself or others in order to clean clothes or foot-wear.
8. High-pressure hoses, fittings and couplings are important for the safety of the machine. Use only hoses, fittings and couplings recommended by the manufacturer.
9. Follow the instructions when changing accessories.
10. Keep handles dry, clean, and free of oil or grease.
11. Stay alert – watch what you are doing.
12. Do not operate the product when fatigued or under the influence of alcohol or drugs.
13. Do not run the high pressure washer without water for longer than one minute. It will damage the motor, resulting in malfunction.
14. Always turn off the power and shut off the water mains when leaving the high pressure washer unattended.
15. Be wary of the kickback. The trigger gun recoils when the high pressure jet is ejected from the nozzle. Hold the trigger gun firmly to prevent accidental injuries.

16. Check for damaged or worn parts before use. Also make sure that the hose is properly connected and there is no leakage during operation. Operating the machine with functional defects may cause an accident.
17. This machine has been designed for use with the cleaning agent supplied or recommended by the manufacturer. The use of other cleaning agents or chemicals may adversely affect the safety of the machine.
18. Do not pull the cord and/or hose to move the high pressure washer body. This will damage the cord, hose, and connecting parts and result in a short circuit or functional defects.
19. Do not put heavy objects on the hose or let vehicles drive over it.
20. Always discharge the residual pressure in the trigger gun before disconnecting the hose.
21. When connecting the hose to the water mains, observe the instructions of your local water-works department or company.

#### Service

1. Follow the maintenance instructions specified in the manual.
2. To ensure machine safety, use only original spare parts from the manufacturer or approved by the manufacturer.
3. Have your high pressure washer serviced by a qualified repair person using only identical replacement parts. This will ensure that the safety of the high pressure washer is maintained.
4. In case of breakdown or malfunction of the high pressure washer, immediately switch it off and remove the mains plug. Contact your local dealer or service center.

### SAVE THESE INSTRUCTIONS.

**⚠WARNING:** DO NOT let comfort or familiarity with product (gained from repeated use) replace strict adherence to safety rules for the subject product.

**MISUSE** or failure to follow the safety rules stated in this instruction manual may cause serious personal injury.

## FUNCTIONAL DESCRIPTION

**CAUTION:** Always be sure that the tool is switched off and unplugged before adjusting or checking function on the tool.

### Power switch

**NOTICE:** Do not turn the power switch forcibly. This may cause the switch to malfunction.

#### For the HW1200

► Fig.1: 1. OFF position 2. ON position

Turn the power switch clockwise to switch on the high pressure washer.

#### For the HW1300

Turn the power switch clockwise or counterclockwise depending on the pressure level. Turn the power switch clockwise for high pressure mode, counterclockwise for low pressure mode.

► Fig.2: 1. Low pressure mode 2. OFF position  
3. High pressure mode

### Nozzle functions

#### Vario-Power spray lance

► Fig.3

Jet pressure can be adjusted by rotating the nozzle.

**CAUTION:** When adjusting the jet pressure, do not rotate the nozzle while pulling it toward the trigger gun. The nozzle may come off from the trigger gun and cause a personal injury.

#### Dirt blaster

► Fig.4

A spiral jet is ejected. Suitable for removing stubborn dirt.

**NOTICE:** Do not use the dirt blaster to clean fragile surfaces such as windows or car bodies.

#### Foam nozzle

► Fig.5

Detergent can be sprayed as foam.

### Trigger operations

Pull the trigger to eject a water jet. The jet continues as long as the trigger is squeezed. The trigger can be locked for safe handling of the trigger gun. To lock the trigger, pull out the stopper and hook it to the groove on the grip.

► Fig.6: 1. Stopper 2. Groove

**NOTICE:** To avoid mechanical error in the pressure switch, always leave a two-second interval between trigger operations.

### Safety valve

This appliance is equipped with a safety valve that prevents undue overpressure. When the trigger is released, the valve opens and the water recirculates through the pump inlet.

**CAUTION:** Do not tamper with or adjust the safety valve setting.

### Hose reel

#### For the HW1300 only

To unreele the hose, take the end of the hose out of the catch first. Unfold the handle and turn it clockwise. Always unreele the hose all the way to the end when operating the high pressure washer.

► Fig.7: 1. Hose reel 2. Handle 3. End of the hose

When storing the hose, turn the handle counterclockwise and fix the end of the hose.

► Fig.8: 1. Catch 2. Handle

### Supplying water from a tank/reservoir

#### Optional accessory

You can supply water from a tank or reservoir instead of a faucet.

Replace the water hose connector with the suction hose set (optional accessory). When connecting the suction hose set, disconnect the filter case from the hose and attach it to the inlet on the high pressure washer. Then, connect the hose to the filter case.

► Fig.9: 1. Tank/reservoir 2. Suction hose set 3. Water hose connector 4. Hose 5. Filter case 6. Inlet on the high pressure washer

**NOTICE:** Always use Makita's suction hose set.

**NOTICE:** Always keep 1.0 m (3.28 ft) or less in height between the inlet on the high pressure washer and the water surface. Otherwise, the high pressure washer will be unable to take the water up into the pump.

To introduce water into the hose, remove the nozzle from the trigger gun and switch on the high pressure washer while the trigger is squeezed. Once water is ejected stably from the trigger gun, release the trigger and attach the nozzle for your purpose.

► Fig.10: 1. Trigger gun

**NOTE:** When water is not ejected, detach the suction hose set and soak it in water. Then reconnect it to the high-pressure washer.

► Fig.11: 1. Suction hose set

# ASSEMBLY

**⚠ CAUTION:** Always be sure that the tool is switched off and unplugged before carrying out any work on the tool.

## Assembling the carrying handle

*For the HW1200 only*

1. Join the front and rear halves of the handle by aligning the screw holes on the high pressure washer body.  
▶ **Fig.12:** 1. Front half of the handle 2. Rear half of the handle 3. High pressure washer body
2. Secure the carrying handle with screws(7 pcs).  
▶ **Fig.13**

## Connecting the high-pressure hose

*For the HW1200 only*

Connect the high-pressure hose to the outlet (with the gun marking). Turn the nut on the high-pressure hose clockwise while screwing it onto the screw thread of the outlet.

- ▶ **Fig.14:** 1. Outlet 2. Nut

**⚠ CAUTION:** Make sure that the high-pressure hose is securely connected. A loose connection may blow the high-pressure hose off, resulting in a personal injury.

## Attaching the trigger gun

Connect the high-pressure hose to the inlet on the trigger gun. Turn the nut on the high-pressure hose clockwise while screwing it onto the screw thread on the inlet.

- ▶ **Fig.15:** 1. Inlet 2. Nut

**⚠ CAUTION:** Make sure that the high-pressure hose is securely connected. A loose connection may blow the high-pressure hose off, resulting in a personal injury.

## Connecting to a faucet

**⚠ CAUTION:** Always use a pressure-resistant water hose with  $\varnothing 13$  mm or larger diameter and connect to the faucet using a proper fittings. Otherwise, the water hose and/or the fitting may break and cause personal injury.

**NOTICE:** Use a pressure-resistant water hose as short as possible. The amount of intake water should be higher than the max feed volume of the pump.

**NOTICE:** If you connect to the mains for drinking water, use a backflow preventer valve which meets the regulations in your region.

Prepare a pressure-resistant water hose. Attach the coupling sleeve to one end and connect the other end to the faucet as follows.

1. Remove the nut on the coupling sleeve and pass the pressure-resistant water hose through the nut. Insert the end of the hose into the coupling sleeve and then tighten the nut.

- ▶ **Fig.16:** 1. Pressure-resistant water hose 2. Nut of the coupling sleeve 3. Coupling sleeve

**NOTE:** If you connect the pressure-resistant water hose to the faucet using a coupling sleeve, attach it to the both ends of the hose.

2. Connect the pressure-resistant water hose to the faucet. Apply a suitable fitting such as hose band or water tap joint to secure the hose end with the faucet.

- ▶ **Fig.17:** 1. Hose band 2. Water tap joint 3. Pressure-resistant water hose

**NOTE:** The fitting depends on the shape of the faucet to which you connect. Prepare a suitable commercially-bought fitting.

3. Attach the water hose connector to the inlet (with the faucet marking) and then insert the coupling sleeve.

- ▶ **Fig.18:** 1. Coupling sleeve 2. Water hose connector 3. Inlet

## Connecting/disconnecting the nozzle

**⚠ CAUTION:** Always lock the trigger when connecting/disconnecting the nozzle.

Insert the end of the nozzle into the slot on the trigger gun and turn it in the direction of the arrow as shown in the figure. To disconnect, turn the nozzle in the reverse direction while pressing it toward the trigger gun.

- ▶ **Fig.19:** 1. Trigger gun 2. Slot 3. End of the nozzle

Some optional nozzles require the connecting joint (optional accessory) to attach to the trigger gun. Attach the connecting joint to the trigger gun in the same way as the nozzle.

- ▶ **Fig.20:** 1. Nozzle 2. Connecting joint 3. Trigger gun

**NOTE:** The connecting joint is needed when using the nozzles included with another model, HW112 or HW121.

## Connecting the foam nozzle

**⚠ CAUTION:** Always lock the trigger when connecting/disconnecting the nozzle.

Prepare a detergent before using the foam nozzle.

1. Remove the nozzle from the tank by rotating the nozzle counterclockwise. Attach the nozzle to the trigger gun.

- ▶ **Fig.21:** 1. Nozzle 2. Trigger gun

2. Pour the detergent into the tank and install it to the nozzle.

- ▶ **Fig.22:** 1. Tank

**NOTICE:** Always use neutral detergent. Acidic or alkaline detergent may damage the tank or nozzle.

## OPERATION

**⚠ WARNING:** Do not touch the water jet or direct the it toward yourself or others. The water jet is dangerous and can hurt you or others.

**⚠ WARNING:** When shooting the water jet, never hold the object that you are cleaning or place your hands and feet near the water jet.

**⚠ CAUTION:** Stay alert to the rebound of the water jet and blown objects. Do not bring the nozzle closer than 30 cm .

**⚠ CAUTION:** Do not run the high pressure washer without water for longer than 1 minute.

**⚠ CAUTION:** Do not operate the high pressure washer for a extended period of time. This may cause overheating or fire. Also, long-term use may cause vibration disorder.

**⚠ CAUTION:** Be aware of the direction of the wind. If the detergent gets into your eyes or mouth, rinse with fresh water immediately and seek medical attention if necessary.

**NOTICE:** Avoid using the high pressure washer for longer than 1 hour. After using 1 hour, leave a same length of intermission.

1. Connect the end of the high-pressure hose to the trigger gun. For the HW1200, connect the other end to the high pressure washer. For the HW1300, unreel the hose all the way to the end.

2. Connect the high pressure washer to the faucet and then open the faucet.

► Fig.23

**NOTICE:** To protect the mechanism of the high pressure washer, do not use water hotter than 40°C.

3. Plug the high pressure washer into the mains and switch it on.

► Fig.24: 1. Power switch

4. To eject a water jet, unlock the stopper and squeeze the trigger. The jet continues as long as the trigger is squeezed.

► Fig.25: 1. Stopper

**⚠ CAUTION:** Hold the trigger gun firmly. The trigger gun recoils when you pull the trigger.

**⚠ CAUTION:** Always hold the trigger gun by the grip and barrel when cleaning. While the motor is running, do not touch any part of the high pressure washer body other than the carrying handle and power switch.

**NOTICE:** Be careful not to pull the trigger gun forcibly during operation. It may cause the high pressure washer to fall over.

## After operating

**⚠ CAUTION:** After operating, always perform the procedure described in this manual. Residual pressure in the trigger gun or high pressure washer can cause personal injury or damage to the pump inside.

1. After operating, leave the power switch on.

2. Close the faucet and disconnect the water hose from the high pressure washer.

► Fig.26

3. Squeeze the trigger until the remaining water in the high pressure washer is discharged.

Do not run the motor for longer than 1 minute.

► Fig.27

4. Switch off the high pressure washer and unplug it from the mains.

► Fig.28: 1. Power switch

5. Disconnect the high-pressure hose from the trigger gun.

► Fig.29: 1. Trigger gun 2. High-pressure hose

For the HW1200, also disconnect the high pressure hose from the high pressure washer.

► Fig.30: 1. High pressure hose

For the HW1300, reel the hose and fix the end of the hose.

► Fig.31: 1. Catch 2. Handle

**NOTICE:** To prevent the high-pressure hose from being damaged, remove the remaining water in the hose before storing.

## MAINTENANCE & STORAGE

**⚠ CAUTION:** Always be sure that the tool is switched off and unplugged before attempting to perform inspection or maintenance.

**NOTICE:** Never use gasoline, benzine, thinner, alcohol or the like. Discoloration, deformation or cracks may result.

### Cleaning the nozzle

Use the cleaner pin to remove dirt from or unclog the nozzle.

► Fig.32: 1. Cleaner pin

**NOTICE:** Do not remove dirt or debris forcibly. This may result in personal injury or damage to the ejection hole causing deviated jet angles or poor performance.

## Cleaning the filter

Detach the water hose connector and remove dirt and debris from the inside of the filter.

► **Fig.33:** 1. Water hose connector 2. Filter 3. Sealing ring

When using the suction hose set (optional accessory), take the filter out of the filter case and remove dirt and debris.

► **Fig.34:** 1. Filter 2. Filter case

**NOTE:** To maintain the optimal performance, clean the filter periodically.

## Storage

Reel the hose and cord. Put the trigger gun and nozzles in the pockets.

**HW1200**

► **Fig.35**

**HW1300**

► **Fig.36**

**CAUTION:** Always store in an indoor location where the temperature does not go below freezing. If the high pressure washer freezes and malfunctions, contact your local service center for repairs.

**CAUTION:** Always use the carrying handle when moving the high pressure washer. Do not carry it by the hose or cord. The hose or cord may be damaged.

**CAUTION:** Do not carry the high pressure washer with the hose and/or cord unreeled. The extended hose or cord may be damaged or entangled with other objects, resulting in personal injury or breakage.

To maintain product SAFETY and RELIABILITY, repairs, any other maintenance or adjustment should be performed by Makita Authorized or Factory Service Centers, always using Makita replacement parts.

## TROUBLESHOOTING

Before asking for repairs, conduct your own inspection first. If you find a problem that is not explained in the manual, do not attempt to dismantle the tool. Instead, ask Makita Authorized Service Centers, always using Makita replacement parts for repairs.

State of abnormality	Probable cause (malfunction)	Remedy
The washer does not start.	No electricity	Connect the plug to the mains. Also check if electricity is being supplied to the mains.
	The switch is not turned on.	Turn on the switch.
	Residual pressure in the pump	Pull the trigger.
	Damaged cord or electric circuit	Contact an authorized service center for repairs.
No water jet / weak water jet	No water supply	Make sure that the faucet is open. If using the suction hose set, introduce water into the hose.
	Poor water supply	Turn on the faucet.
	Poor water hose connection	Check the connection between the water hose and the faucet and inlet on the high pressure washer.
	Clogged hose, filter, or nozzle	Unclog the hose, filter, or nozzle.
	Air is blocking the flow of water.	Turn off the switch and then turn it on again while squeezing the trigger.
	Damaged or worn nozzle	Replace the nozzle.
Unstable water jet.	Pump or valve malfunction	Contact an authorized service center for repairs.
	Clogged nozzle	Unclog on the ejection hole of the nozzle using the cleaner pin.
	Poor water suction	Check the water hose starting from the faucet for any leakage or clogs. Turn on the faucet.
	The water is too hot.	Supply cooler water.
Abnormal sound.	Valve malfunction	Contact an authorized service center for repairs.
	The water is too hot.	Supply cooler water.
Water/oil leakage.	Air is stuck in the pump.	Contact an authorized service center for repairs.
	Poor connection	Check the connection between the high pressure hose and the trigger gun and high pressure washer.
The pump does not run even though the motor sound is heard.	Worn out sealings	Contact an authorized service center for repairs.
	Unsuitable extension cord.	Use an extension cord suitable for the rating of the product.

# OPTIONAL ACCESSORIES

**CAUTION:** These accessories or attachments are recommended for use with your Makita tool specified in this manual. The use of any other accessories or attachments might present a risk of injury to persons. Only use accessory or attachment for its stated purpose.

If you need any assistance for more details regarding these accessories, ask your local Makita Service Center.

**NOTE:** Some items in the list may be included in the tool package as standard accessories. They may differ from country to country.

## Spray lance

► Fig.37

Jet width can be adjusted from 0° to 25° by rotating the front end of the nozzle.

**CAUTION:** When adjusting the jet width, do not rotate the nozzle while pulling it toward the trigger gun. The nozzle may come off from the trigger gun and cause a personal injury.

## Washing brush (long)

► Fig.38

A nozzle equipped with a brush. Useful for washing out dirt while scrubbing with brush.

## Suction hose set

► Fig.39

Replace the water hose with this set to supply water from a tank or reservoir.

## Rotating wash brush

► Fig.40

Three brushes inside rotate slowly when ejecting the jet. Suitable for cleaning light dirt on a exterior wall, car body, bath tub, etc.

## Lance extension

► Fig.41

Pipes to extend the length of the trigger gun. Three different lengths are available by changing the number of the pipes to be used.

## Under body spray lance

► Fig.42

An extra long spray lance with angled nozzle. Best for cleaning hard-to-reach areas such as car under body and roof gutter.

**CAUTION:** Do not use the under body spray lance with the lance extension.

## Splash guard

► Fig.43

Reduces splash back when cleaning corners with the dirt blaster.

## Swivel joint

► Fig.44

Prevents the high-pressure hose from being twisted.

## Connecting joint

► Fig.45

A joint to connect with a nozzle from other model.

**NOTE:** The connecting joint is needed when using the nozzles included with another model, HW112 or HW121.

## Pipe-cleaning set (10 m/15 m)

► Fig.46

For cleaning and unclogging plumbing and downpipes.

**CAUTION:** Pay particular attention to the water jet when using the pipe cleaning set. Highly intense water jet is ejected backward.

## Extension high-pressure hose (5 m/8 m/10 m)

► Fig.47

Extension hose to connect the high pressure washer body with the trigger gun.



## VARNING

- Maskiner får inte användas av barn. Barn ska övervakas så att de inte leker med maskinen.
- Denna maskin är inte avsedd för användning av personer (inklusive barn) med nedsatta fysiska, sensoriska eller mentala förmågor, eller som inte har tillräcklig erfarenhet eller kunskap.
- Denna maskin har utformats för användning med det rengöringsmedel som levereras eller rekommenderas av tillverkaren. Att använda andra rengöringsmedel eller kemikalier kan påverka maskinsäkerheten negativt.
- Högtrycksstrålar kan vara farliga om de används på fel sätt. Strålen får inte riktas mot personer, mot strömförande elektrisk utrustning eller mot själva maskinen.
- Använd inte maskinen där människor är inom räckhåll, såvida de inte bär skyddskläder.
- Rikta inte strålen mot dig själv eller andra för att rengöra kläder eller skor.
- Explosionsrisk – spruta inte brandfarliga vätskor.
- Högtryckstvättar får inte användas av barn eller utbildad personal.
- Högtrycksslangar, kopplingar och anslutningsdon är viktiga för maskinens säkerhet. Använd endast slangar, kopplingar och anslutningsdon som rekommenderas av tillverkaren.
- För att trygga maskinens säkerhet ska du endast använda originalreservdelar från tillverkaren eller som har godkänts av tillverkaren.
- Se alltid till att maskinen är avstängd och nätsladden urdragen innan maskinen repareras.
- Använd inte maskinen om en strömkabel eller viktiga delar av maskinen är skadade, t.ex. säkerhetsanordningar, högtrycksslangar eller avtryckarpistol.
- Förlängningssladdar som inte är tillräckligt långa kan vara farliga. Om en förlängningssladd används ska den vara lämplig för utomhusbruk, och anslutningen måste hållas torr och borta från marken. Det rekommenderas att detta ordnas genom en sladdvinda som håller uttaget minst 60 mm över marken.

- Stäng alltid av elnätströmbrytaren när maskinen lämnas obevakad.
- Följ kraven från det lokala vattenverket.
- För Europeiska länder:  
I enlighet med EN12729 (BA) kan apparaten även anslutas till det kommunala vattennätet om en backventil med dräneringsfunktion monteras på matningsslangen.






## SPECIFIKATIONER

Modell:		HW1200	HW1300
Max matningsvolym		7,0 l/min	7,5 l/min
Vattenflödeshastighet		5,5 l/min	6,0 l/min
Max tillåtet tryck		12 MPa (120 bar)	13 MPa (130 bar)
Arbetstryck	Högt läge	10 MPa (100 bar)	11 MPa (110 bar)
	Lågt läge	-	8 MPa (80 bar)
Max matningstryck		1 MPa (10 bar)	
Max matningstemperatur		40 °C	
Max sughöjd		1,0 m	
Dimensioner (L x B x H)		292 mm x 358 mm x 830 mm	
Vikt		11,0 kg	12,7 kg
Motorskydd		IPX5	

- På grund av vårt pågående program för forskning och utveckling kan dessa specifikationer ändras utan föregående meddelande.
- Specifikationer kan variera mellan olika länder.
- Vikt i enlighet med EPTA-Procedure 01/2003

## Symboler

Följande visar symbolerna som används för utrustningen. Se till att du förstår innebörden innan du använder bormaskinen.

	Läs igenom bruksanvisningen.
	Var extra försiktig och uppmärksam.
	DUBBEL ISOLERING
	Endast för EU-länder Elektrisk utrustning får inte kastas i hushållsavfallet! Enligt EU-direktivet som avser äldre elektrisk och elektronisk utrustning och dess tillämpning enligt nationell lagstiftning ska uttjänt elektrisk utrustning sorteras separat och lämnas till miljövänlig återvinning.
	Rikta inte strålen mot personer, däribland du själv och djur, eller mot strömförande elektrisk utrustning.



Ej lämplig för anslutning till ej drickbar vattenförsörjning.

## Avsedd användning

Denna maskin är avsedd för att rensa bort envis smuts med en vattenstråle. Denna maskin är avsedd för att användas i hushåll.

## Strömförsörjning

Maskinen får endast anslutas till elnät med samma spänning som anges på typplåten och med enfasig växelström. De är dubbelisolerade och får därför också anslutas i ojordade vägguttag.

## Avsedd för elnät med 220-250 V

Att starta och stänga av elektriska apparater medför spänningsvariationer. Om denna maskin används under ogynnsamma nätspänningsförhållanden kan funktioner hos annan utrustning påverkas negativt. I elnät med ett motstånd på högst 0,25 Ohm är det rimligt att anta att negativa effekter inte förekommer. Nätuttaget för den här enheten måste vara försett med trög säkring eller skyddsbrytare.

## Buller

Den normala bullernivån för A-belastning är bestämd enligt EN60335-2-79:

### Model HW1200

Ljudtrycksnivå ( $L_{pA}$ ): 72 dB (A)  
Måttolerans (K): 3,8 dB (A)

### Model HW1300

Ljudtrycksnivå ( $L_{pA}$ ): 76 dB (A)  
Måttolerans (K): 2,4 dB (A)

Bullernivån vid arbete kan överstiga 80 dB (A).

**⚠ VARNING:** Använd hörselskydd.

## Vibration

Det totala vibrationsvärdet (treaxlad vektorsumma) bestämt enligt EN60335-2-79:

### Model HW1200

Vibrationsemission ( $a_h$ ): 4,11 m/s<sup>2</sup>  
Måttolerans (K): 1,5 m/s<sup>2</sup>

### Model HW1300

Vibrationsemission ( $a_h$ ): 4,86 m/s<sup>2</sup>  
Måttolerans (K): 1,5 m/s<sup>2</sup>

**OBS:** Det deklarerade vibrationsemissionsvärdet har uppmätts i enlighet med standardtestmetoden och kan användas för att jämföra en maskin med en annan.

**OBS:** Det deklarerade vibrationsemissionsvärdet kan också användas i en preliminär bedömning av exponering för vibration.

**⚠ VARNING:** Vibrationsemissionen under faktisk användning av maskinen kan skilja sig från det deklarerade emissionsvärdet, beroende på hur maskinen används.

**⚠ VARNING:** Var noga med att identifiera säkerhetsåtgärder för att skydda användaren, vilka är grundade på en uppskattning av graden av exponering för vibrationer under de faktiska användningsförhållandena, (ta, förutom avtryckartiden, med alla delar av användarcykeln i beräkningen, som till exempel tiden då maskinen är avstängd och när den går på tomgång).

## EG-försäkringen om överensstämmelse

### Gäller endast inom EU

EG-försäkringen om överensstämmelse inkluderas som bilaga A till denna bruksanvisning.

## SÄKERHETSVARNINGAR

**⚠ VARNING:** Läs igenom alla säkerhetsvarningar och anvisningar. Underlåtenhet att följa varningar och instruktioner kan leda till elstötar, brand och/eller allvarliga personskador.

## Spara alla varningar och instruktioner för framtida referens.

### Säkerhet på arbetsplatsen

1. Håll alla personer borta från arbetsområdet.
2. Sträck dig inte och stå inte på instabila underlag. Stå alltid stabilt och ha god balans hela tiden.
3. Placera alltid högtryckstvättens stomme på ett jämnt och stabilt underlag. Undvik områden där det utsprutade vattnet rinner eller samlas i pooler.
4. Kontrollera omgivningarna och föremålen som ska rengöras innan rengöringen inleds. Högtrycksstrålar kan skrapa bort färg eller annan ytbehandling, däribland giftiga kemikalier. Vidta förebyggande åtgärder om det behövs.
5. Var noga med att inte snubbla över högtryckstvättens sladd eller slang. Var alltid medveten om hur sladden och slangen är dragna under användning.
6. Under användning kommer en liten mängd vatten ut ur underdelen av högtryckstvätten. Undvik att placera högtryckstvätten i de områden där du inte vill att det ska vara blött.

### Personskydd

1. För att skydda sig mot strålen och mot föremål från strålen ska användarna ha på sig lämplig klädsel, som skyddskängor, skyddshandskar, skyddshjälm med visir, hörselskydd osv.
2. Använd inte högtryckstvätten där människor är inom räckhåll, såvida de inte bär skyddskläder.
3. För att minska risken för skador är det nödvändigt med noggrann övervakning när produkten används i närheten av barn.
4. Vatten som har flödat genom återsugnings-skyddet anses ej vara drickbart.

### Elsäkerhet

1. Använd aldrig högtryckstvätten utomhus i regnet.
2. Rör aldrig vid stickkontakten och/eller uttaget med blöta händer.
3. Använd inte maskinen om strömsladden eller viktiga delar av maskinen är skadade, t.ex. säkerhetsanordningar, högtrycksslangar eller avtryckarpistolen.
4. Stickkontakten måste passa i uttaget. Modifiera inte kontakten på något sätt. Använd inte någon adapterkontakt tillsammans med jordade verktyg. När stickkontakt och uttag är avpassade för varandra minskar risken för elstötar.
5. Förlängningssladdar som inte är tillräckligt långa kan vara farliga. Om en förlängningssladd används ska den vara lämplig för utomhusbruk, och anslutningen måste hållas torr och borta från marken. Det rekommenderas att detta ordnas genom en sladdvinda som håller uttaget minst 60 mm över marken.

6. Notera följande när förlängningssladdar används:
  - Använd endast förlängningssladdar som är avsedda för utomhusbruk.
  - Använd endast förlängningssladdar med elektriska märkvärden som är lika med eller högre än märkvärdena för produkten.
  - Använd inte skadade förlängningssladdar.
  - Undersök förlängningssladdarna före användning, och byt ut dem om de är skadade.
  - Var inte vårdslös med förlängningssladdar och koppla inte ur sladdar genom att rycka i dem.
  - Håll sladdarna borta från värme och vassa kanter.
  - Koppla alltid ur förlängningssladden från uttaget innan produkten kopplas bort från förlängningssladden.
7. Elnätsanslutningen ska göras av en behörig elektriker och överensstämna med IEC 60364-1. Det rekommenderas att strömtillförseln till denna maskin innefattar antingen en jordfelsbrytare som bryter strömförsörjningen om läckströmmen till jord överstiger 30 mA för 30 ms eller en enhet som prövar jordkretsen.

#### Användning och underhåll av maskinen

1. Läs alla instruktioner innan produkten används.
2. Var medveten om hur man stoppar högtryckstvätten och snabbt lättar på trycket. Se till att vara ordentligt insatt i kontrollerna.
3. Högtrycksstrålar kan vara farliga om de används felaktigt. Strålen får inte riktas mot människor, mot strömförande elektrisk utrustning eller mot själva maskinen.
4. Denna maskin är inte avsedd för användning av personer (inklusive barn) med nedsatta fysiska, sensoriska eller mentala förmågor, eller som inte har tillräcklig erfarenhet eller kunskap.
5. Barn ska övervakas så att de inte leker med maskinen.
6. Spruta inte brandfarliga och/eller giftiga vätskor. Det kan orsaka explosion, förgiftning eller skada på maskinen.
7. Rikta inte strålen mot dig själv eller andra för att rengöra kläder eller skor.
8. Högtrycksslangar, kopplingar och anslutningsdon är viktiga för maskinens säkerhet. Använd endast slangar, kopplingar och anslutningsdon som rekommenderas av tillverkaren.
9. Följ anvisningarna vid byte av tillbehör.
10. Håll handtagen torra, rena och fria från olja och fett.
11. Var uppmärksam – se upp med vad du gör.
12. Använd inte produkten när du är trött eller påverkad av alkohol eller läkemedel.
13. Kör inte högtryckstvätten utan vatten längre än en minut. Det skadar motorn med funktionsfel som följd.

14. Stäng alltid av strömmen och stäng av vattentillförseln när högtryckstvätten lämnas obevakad.
15. Se upp för bakåtkast. Avtryckarpistolen studsar tillbaka när högtrycksstrålen sprutas ut från munstycket. Håll avtryckarpistolen stadigt för att förebygga olyckshändelser med skador.
16. Titta efter skadade eller slitna delar före användning. Se också till att slangen är korrekt ansluten och att det inte är något läckage under användning. Att använda maskinen med funktionella defekter kan orsaka olycka.
17. Denna maskin har utformats för användning med det rengöringsmedel som levereras eller rekommenderas av tillverkaren. Att använda andra rengöringsmedel eller kemikalier kan påverka maskinsäkerheten negativt.
18. Dra inte i sladden och/eller slangen för att ta bort högtryckstvättens stomme. Detta skadar sladden, slangen och anslutningsdelar och leder till kortslutning eller funktionella brister.
19. Ställ inte tunga föremål på slangen och låt inte fordon köra över den.
20. Lätta alltid på det kvarvarande trycket i avtryckarpistolen innan slangen kopplas från.
21. När slangen ansluts till vattennätet ska instruktionerna från ditt lokala vattenverk följas.

#### Service

1. Följ de underhållsinstruktioner som anges i denna bruksanvisning.
2. För att trygga maskinens säkerhet ska du endast använda originalreservdelar från tillverkaren eller som har godkänts av tillverkaren.
3. Lämna högtryckstvätten till en auktoriserad verkstad för service och underhåll med originalreservdelar. Detta garanterar fortsatt säker användning av högtryckstvätten.
4. Vid haveri eller funktionsfel på högtryckstvätten ska du omedelbart stänga av den och dra ur nätkontakten. Kontakta din lokala återförsäljare eller servicecenter.

## SPARA DESSA ANVISNINGAR.

**⚠️ VARNING:** GLÖM INTE att också fortsättningsvis strikt följa säkerhetsanvisningarna för maskinen även efter att du blivit van att använda den.

Vid FELAKTIG HANTERING av maskinen eller om inte säkerhetsanvisningarna i denna bruksanvisning följs kan följden bli allvarliga personskador.

## FUNKTIONSBESKRIVNING

**⚠ FÖRSIKTIGT:** Se alltid till att maskinen är avstängd och nätsladden urdragen innan du justerar eller funktionskontrollerar maskinen.

### Strömbrytare

**OBSERVERA:** Vrid inte på strömbrytaren med våld. Det kan få den att fungera dåligt.

För HW1200

► Fig.1: 1. OFF (AV)-läge 2. ON (PÅ)-läge

Vrid strömbrytaren medurs för att sätta på högtryckstvätten.

För HW1300

Vrid strömbrytaren medurs eller moturs beroende på trycknivån. Vrid strömbrytaren medurs för högtrycksläge, moturs för lågtrycksläge.

► Fig.2: 1. Lågtrycksläge 2. OFF (AV)-läge  
3. Högtrycksläge

### Munstycksfunktioner

Vario-Power-sprutlans

► Fig.3

Stråltrycket kan justeras genom att man vrider på munstycket.

**⚠ FÖRSIKTIGT:** När stråltrycket justeras ska munstycket inte vridas genom att man vrider det mot avtryckarpistolen. Munstycket kan lossna från avtryckarpistolen och ge upphov till personskada.

Smutsblästrare

► Fig.4

En spiralstråle stöts ut. Lämpligt för att ta bort envis smuts.

**OBSERVERA:** Använd inte smutsblästraren för att rengöra ömtåliga ytor som fönster eller bilkarosser.

Skummunestycke

► Fig.5

Rengöringsmedel kan sprutas ut som skum.

### Avtryckarmanövrar

Utlös avtryckaren för att spruta ut en vattenstråle.

Strålen fortsätter så länge avtryckaren hålls intryckt. Avtryckaren kan låsas för säker hantering av avtryckarpistolen. För att låsa avtryckaren drar du ut stoppet och hakar fast det i skåran på handtaget.

► Fig.6: 1. Stoppanordning 2. Spår

**OBSERVERA:** För att undvika mekaniskt fel i tryckströmbrytaren ska du alltid lämna ett intervall på två sekunder mellan avtryckarmanövrarna.

### Säkerhetsventil

Denna maskin är försedd med en säkerhetsventil som förhindrar olämpligt övertryck. När avtryckaren lossas öppnas ventilen och vattnet cirkuleras om genom pumpinloppet.

**⚠ FÖRSIKTIGT:** Manipulera eller justera inte säkerhetsventilinställningen.

## Slangvinda

Endast för HW1300

Vinda upp slangen genom att först ta ut änden på slangen från fästet. Fäll ut handtaget och vrid det medurs. Vinda alltid upp slangen hela vägen till änden när du använder högtryckstvätten.

► Fig.7: 1. Slangvinda 2. Handtag 3. Änden på slangen

När slangen förvaras ska handtaget vridas moturs och änden på slangen fästas.

► Fig.8: 1. Fäste 2. Handtag

## Tillförsel av vatten från en tank/behållare

Valfria tillbehör

Du kan tillföra vatten från en tank eller behållare istället för en kran.

Ersätt vattenslanganslutningen med sugslangssatsen (valfritt tillbehör). När du ansluter sugslangssatsen kopplar du bort filterhöljet från slangen och fäster den vid inloppet till högtryckstvätten. Anslut sedan slangen till filterhöljet.

► Fig.9: 1. Tank/behållare 2. Sugslangssats  
3. Vattenslanganslutning 4. Slang  
5. Filterhölje 6. Inlopp på högtryckstvätten

**OBSERVERA:** Använd alltid Makitas sugslangssats.

**OBSERVERA:** Ha alltid en höjd på 1,0 m (3,28 ft) eller mindre mellan högtryckstvättens inlopp och vattenytan. Annars kan inte högtryckstvätten ta upp vattnet i pumpen.

För att föra in vatten i slangen tar du bort munstycket från avtryckarpistolen och sätter på högtryckstvätten medan avtryckaren är intryckt. Så fort vatten sprutas ut stadigt från avtryckarpistolen släpper du avtryckaren och sätter fast munstycket för ditt syfte.

► Fig.10: 1. Avtryckarpistol

**OBS:** När vatten inte sprutas ut lossar du sugslangssatsen och lägger ner den i vatten. Återanslut den sedan till högtryckstvätten.

► Fig.11: 1. Sugslangssats

## MONTERING

**⚠ FÖRSIKTIGT:** Se alltid till att maskinen är avstängd och nätsladden urdragen innan maskinen repareras.

### Montering av bärhandtaget

Endast för HW1200

1. Sätt ihop handtagets fram- och bakhalvor genom att passa in skruvhålen på högtryckstvättens stomme.

► Fig.12: 1. Handtagets framhalva 2. Handtagets bakhalva 3. Högtryckstvättens stomme

2. Sätt fast bärhandtaget med skruvar (7 st).

► Fig.13

## Ansluta högtrycksslangen

### Endast för HW1200

Anslut högtrycksslangen till utloppet (med pistolmarkeringen). Vrid muttern på högtrycksslangen medurs medan du skruvar på den på utloppets skruvgånga.

► **Fig.14:** 1. Utlopp 2. Mutter

**⚠ FÖRSIKTIGT:** Se till att högtrycksslangen är säkert ansluten. En lös anslutning kan få högtrycksslangen att flyga av, med personskada som följd.

## Sätta fast avtryckarpistolen

Anslut högtrycksslangen till inloppet på avtryckarpistolen. Vrid muttern på högtrycksslangen medurs medan du skruvar på den på inloppets skruvgånga.

► **Fig.15:** 1. Inlopp 2. Mutter

**⚠ FÖRSIKTIGT:** Se till att högtrycksslangen är säkert ansluten. En lös anslutning kan få högtrycksslangen att flyga av, med personskada som följd.

## Anslutning till en kran

**⚠ FÖRSIKTIGT:** Använd alltid en trycktålig vattenslang med en diameter på  $\geq 13$  mm eller mer, och anslut till kranen med en lämplig koppling. I annat fall kan vattenslangen och/eller kopplingen gå sönder och orsaka personskada.

**OBSERVERA:** Använd en trycktålig vattenslang som är så kort som möjligt. Mängden inloppsvatten ska vara högre än pumpens maximala matningsvolym.

**OBSERVERA:** Om du ansluter till dricksvattensystemet ska du använda ett återsugningsskydd som uppfyller regelverket i din region.

Gör i ordning en trycktålig vattenslang. Fäst slangkopplingen i ena änden och anslut den andra änden till kranen enligt följande.

1. Ta bort muttern på slangkopplingen och dra den trycktåliga vattenslangen genom muttern. För in änden på slangens i slangkopplingen och vrid sedan åt muttern.  
► **Fig.16:** 1. Trycktålig vattenslang 2. Mutter på slangkoppling 3. Slangkoppling

**OBS:** Om du ansluter den trycktåliga vattenslangen till kranen med hjälp av en slangkoppling, så fäst en annan till slangens andra ände.

2. Anslut den trycktåliga vattenslangen till kranen. Sätt på en lämplig koppling, t.ex. en slangklämma eller en vattenkranfog, för att fästa slangändan vid kranen.  
► **Fig.17:** 1. Slangklämma 2. Vattenkranfog 3. Trycktålig vattenslang

**OBS:** Kopplingen beror på formen på kranen du ansluter till. Gör i ordning en lämplig kommersiellt inköpt koppling.

3. Sätt fast vattenslanganslutningen vid inloppet (med kranmarkeringen) och för sedan in slangkopplingen.

► **Fig.18:** 1. Slangkoppling 2. Vattenslanganslutning 3. Inlopp

## Ansluta/koppla från munstycket

**⚠ FÖRSIKTIGT:** Läs alltid avtryckaren när munstycket ansluts/frånkopplas.

För in munstyckets ände i skåran på avtryckarpistolen och vrid den i pilens riktning enligt vad som visas på bilden. Koppla från genom att vrida munstycket i motsatt riktning medan du trycker den mot avtryckarpistolen.

► **Fig.19:** 1. Avtryckarpistol 2. Skåra 3. Änden på munstycket

Vissa tillvalsmunstycken kräver att anslutningsfogen (valfritt tillbehör) fästs vid avtryckarpistolen. Fäst anslutningsfogen vid avtryckarpistolen på samma sätt som munstycket.

► **Fig.20:** 1. Munstycke 2. Anslutningsfog 3. Avtryckarpistol

**OBS:** Anslutningsfogen behövs när man använder munstyckena som ingår till en annan modell, HW112 eller HW121.

## Ansluta skummunstycket

**⚠ FÖRSIKTIGT:** Läs alltid avtryckaren när munstycket ansluts/frånkopplas.

Gör i ordning ett rengöringsmedel innan skummunstycket används.

1. Ta bort munstycket från tanken genom att vrida munstycket moturs. Sätt fast munstycket mot avtryckarpistolen.

► **Fig.21:** 1. Munstycke 2. Avtryckarpistol

2. Håll rengöringsmedlet i tanken och installera den vid munstycket.

► **Fig.22:** 1. Tank

**OBSERVERA:** Använd alltid neutralt rengöringsmedel. Surt eller basiskt rengöringsmedel kan skada tanken eller munstycket.

## ANVÄNDNING

**⚠ WARNING:** Rör inte vid vattenstrålen och rikta den inte mot dig själv eller andra. Vattenstrålen är farlig och kan skada dig eller andra.

**⚠ WARNING:** När du fyrar av vattenstrålen, håll då aldrig i föremålet som du ska rengöra och ha inte händer och fötter nära vattenstrålen.

**⚠ FÖRSIKTIGT:** Se upp för tillbakastudsande vattenstråle och ivägspolade föremål. För inte munstycket närmare än 30 cm .

**⚠ FÖRSIKTIGT:** Kör inte högtryckstvätten utan vatten längre än en minut.

**⚠ FÖRSIKTIGT:** Kör inte högtryckstvätten under en längre stund. Det kan orsaka överhettning eller brand. Långvarig användning kan också orsaka vibrationsstörningar.

**⚠ FÖRSIKTIGT:** Var uppmärksam på vindriktningen. Om du får rengöringsmedlet i ögonen eller munnen, skölj då genast med färskt vatten och sök läkarhjälp om det behövs.

**OBSERVERA:** Undvik att använda högtryckstvätten i mer än en timme. Efter en timmes användning ska den pausas lika länge.

1. Anslut högtrycksslansens ände till avtryckarpistolen. För HW1200, anslut den andra änden till högtryckstvätten. För HW1300, vinda upp slangen hela vägen till änden.

2. Anslut högtryckstvätten till kranen och öppna sedan kranen.

► Fig.23

**OBSERVERA:** För att skydda högtryckstvättens mekanism ska vatten som är varmare än 40 °C inte användas.

3. Koppla in högtryckstvätten till elnätet och sätt på den.

► Fig.24: 1. Strömbrytare

4. För att spruta ut en vattenstråle låser du upp stoppet och trycker på avtryckaren. Strålen fortsätter så länge avtryckaren hålls intryckt.

► Fig.25: 1. Stoppanordning

**⚠ FÖRSIKTIGT:** Håll avtryckarpistolen stadigt. Avtryckarpistolen slår tillbaka när du utlöser avtryckaren.

**⚠ FÖRSIKTIGT:** Håll alltid avtryckarpistolen i handtaget och cylindern vid rengöring. När motorn är igång ska du inte vidröra någon annan del av högtryckstvättens stomme än bärhandtaget och strömbrytaren.

**OBSERVERA:** Var noga med att inte dra våldsam i avtryckarpistolen under körning. Det kan få högtryckstvätten att falla omkull.

## Efter körning

**⚠ FÖRSIKTIGT:** Efter körning ska alltid den procedur som beskrivs i denna handbok följas. Kvarvarande tryck i avtryckarpistolen eller högtryckstvätten kan leda till personskada eller invändig skada på pumpen.

1. Lämna strömbrytaren på efter användning.

2. Stäng kranen och koppla bort vattenkranen från högtryckstvätten.

► Fig.26

3. Tryck på avtryckaren tills det kvarvarande vattnet i högtryckstvätten har tömts ut.

Kör inte motorn längre tid än en minut.

► Fig.27

4. Stäng av högtryckstvätten och koppla bort den från elnätet.

► Fig.28: 1. Strömbrytare

5. Koppla bort högtrycksslansen från avtryckarpistolen.

► Fig.29: 1. Avtryckarpistol 2. Högtryckssläng

För HW1200, koppla också bort högtrycksslansen från högtryckstvätten.

► Fig.30: 1. Högtryckssläng

För HW1300, vinda upp slangen och fäst änden av slangen.

► Fig.31: 1. Fäste 2. Handtag

**OBSERVERA:** För att förhindra att högtrycksslansen blir skadad ska det kvarvarande vattnet i slangen tas bort före lagring.

## UNDERHÅLL OCH FÖRVARING

**⚠ FÖRSIKTIGT:** Se alltid till att maskinen är avstängd och nätkabeln urdragen innan inspektion eller underhåll utförs.

**OBSERVERA:** Använd inte bensin, förtunningsmedel, alkohol eller liknande. Missfärgning, deformation eller sprickor kan uppstå.

## Rengöring av munstycket

Använd rengöringsstiftet för att ta bort smuts eller tilltappningar från munstycket.

► Fig.32: 1. Rengöringsstift

**OBSERVERA:** Ta inte bort smuts eller skräp med våld. Det kan leda till personskada eller skada på utmatningshålet med avvikande strålvinklar eller dålig prestanda som följd.

## Rengöra filtret

Ta loss vattenslanganslutningen och ta bort smuts och skräp från insidan av filtret.

► Fig.33: 1. Vattenslanganslutning 2. Filter 3. Tätningssring

När sugslangssatsen (valfritt tillbehör) används ska filter tas ut ur filterhöljet och smuts och skräp tas bort.

► Fig.34: 1. Filter 2. Filterhölje

**OBS:** Rengör filtret regelbundet för att behålla bästa prestanda.

## Förvaring

Vinda upp slangen och sladden. Sätt avtryckarpistolens och munstyckena i fickorna.

HW1200

► Fig.35

HW1300

► Fig.36

**⚠FÖRSIKTIGT:** Förvara alltid på en plats inomhus där temperaturen inte sjunker under fryspunkten. Om högtrycksvätten fryser och inte fungerar, kontakta då ditt lokala servicecenter för att reparera.

**⚠FÖRSIKTIGT:** Använd alltid bärhandtaget när högtrycksvätten flyttas. Bär den inte i slangen eller sladden. Slangen eller sladden kan skadas.

**⚠FÖRSIKTIGT:** Bär inte högtrycksvätten när slangen och/eller sladden inte är upprullade. Den utrullade slangen eller sladden kan skadas eller trasslas in i andra föremål, så att de går sönder eller någon skadas.

För att upprätthålla produktens SÄKERHET och TILLFÖRLITLIGHET bör allt underhålls- och justeringsarbete utföras av ett auktoriserat Makita servicecenter och med reservdelar från Makita.

## FELSÖKNING

Innan du ber om reparation ska du först utföra en egen kontroll. Om du hittar ett problem som inte finns förklarat i bruksanvisningen ska du inte försöka att ta isär maskinen. Fråga istället ett auktoriserat servicecenter för Makita, och använd alltid reservdelar från Makita för reparationer.

Feltillstånd	Trolig orsak (felfunktion)	Åtgärd
Tvätten startar inte.	Ingen elektricitet	Anslut stickproppen till elnätet. Kontrollera också om det finns ström i nätet.
	Strömbrytaren är inte på.	Sätt på strömbrytaren.
	Kvarvarande tryck i pumpen	Utlös avtryckaren.
	Skadad sladd eller strömkrets	Kontakta ett auktoriserat servicecenter för reparation.
Ingen vattenstråle/svag vattenstråle	Ingen vattentillförsel	Se till att kranen är öppen. Om sugslangssatsen används, för in vatten i slangen.
	Dålig vattentillförsel	Sätt på kranen.
	Dålig vattenslanganslutning	Kontrollera anslutningen mellan vattenslangen och kranen och inloppet på högtrycksvätten.
	Tilltäppt slang, filter eller munstycke	Ta bort stoppet i slangen, filtret eller munstycket.
	Luft blockerar vattenflödet.	Stäng av strömbrytaren och sätt sedan på den igen samtidigt som du trycker på avtryckaren.
	Skadat eller slitet munstycke	Byt ut munstycket.
	Funktionsfel på pump eller ventil	Kontakta ett auktoriserat servicecenter för reparation.
Instabil vattenstråle.	Tilltäppt munstycke	Ta bort stoppet i munstyckets utmatningshål med hjälp av rengöringsstiftet.
	Dåligt vattensug	Kontrollera vattenslangen med början vid kranen för att se läckor eller tilltäppningar. Sätt på kranen.
	Vattnet är för varmt.	Tillför kallare vatten.
	Funktionsfel på ventil	Kontakta ett auktoriserat servicecenter för reparation.
Onormalt ljud.	Vattnet är för varmt.	Tillför kallare vatten.
	Luft har fastnat i pumpen.	Kontakta ett auktoriserat servicecenter för reparation.
Vatten-/olja-läckage.	Dålig anslutning	Kontrollera anslutningen mellan högtrycksslangen och avtryckarpistolens och högtrycksvätten.
	Utslitna tätningar	Kontakta ett auktoriserat servicecenter för reparation.
Pumpen går inte trots att det hörs ljud från motorn.	Olämplig förlängningssladd.	Använd en förlängningssladd som är lämplig för produktens märkvärden.



# VALFRIA TILLBEHÖR

**⚠ FÖRSIKTIGT:** Följande tillbehör eller tillsatser rekommenderas för användning med den **Makita-maskin som denna bruksanvisning avser.** Om andra tillbehör eller tillsatser används kan det uppstå risk för personskador. Använd endast tillbehören eller tillsatserna för de syften de är avsedda för.

Kontakta ditt lokala Makita servicecenter om du behöver ytterligare information om dessa tillbehör.

**OBS:** Några av tillbehören i listan kan vara inkluderade i maskinpaketet som standardtillbehör. De kan variera mellan olika länder.

## Sprutlans

► Fig.37

Strålbredden kan justeras från 0° till 25° genom att man vrider på munstyckets framände.

**⚠ FÖRSIKTIGT:** När strålbredden justeras ska munstycket inte vridas genom att man vrider det mot avtryckarpistolen. Munstycket kan lossna från avtryckarpistolen och ge upphov till personskada.

## Tvättborste (lång)

► Fig.38

Ett munstycke försett med en borste. Praktiskt för att tvätta ut smuts samtidigt som man skrubbar med borsten.

## Sugslangssats

► Fig.39

Ersätt vattenslangen med denna sats för att tillföra vatten från en tank eller behållare.

## Roterande tvättborste

► Fig.40

Tre borstar inuti roterar långsamt när man sprutar ut strålen. Lämplig för att ta bort lätt smuts på en yttre vägg, en bilkaross, ett badkar etc.

## Lansförlängning

► Fig.41

Rör för att öka längden på avtryckarpistolen. Tre olika längder finns tillgängliga genom att man ändrar antalet rör som ska användas.

## Sprutlans till underreden

► Fig.42

En extra lång sprutlans med vinklat munstycke. Bäst för att rengöra svåråtkomliga områden som t.ex. en bils underrede och takrännor.

**⚠ FÖRSIKTIGT:** Använd inte underredessprutlansen med lansförlängningen.

## Stänkskydd

► Fig.43

Minskar bakåttänkandet när man rengör hörn med smutsblästraren.

## Svängfog

► Fig.44

Förhindrar att högtrycksslangen blir snodd.

## Anslutningsfog

► Fig.45

En fog för anslutning till ett munstycke från en annan modell.

**OBS:** Anslutningsfogen behövs när man använder munstyckena som ingår till en annan modell, HW112 eller HW121.

## Rörrengöringssats (10 m/15 m)

► Fig.46

För rengöring och propplösning av avloppsrör och stuprör.

**⚠ FÖRSIKTIGT:** Var särskilt noga med vattenstrålen när rörrengöringssatsen används. Högintensiv vattenstråle sprutas bakåt.

## Högtrycksförlängningsslang (5 m/8 m/10 m)

► Fig.47

Förlängningsslang för att ansluta högtryckstvättstomen med avtryckarpistolen.

## ADVARSEL

- Maskiner skal ikke brukes av barn. Barn skal holdes under oppsyn for å sikre at de ikke leker med maskinen.
- Denne maskinen skal ikke brukes av personer (inkludert barn) med reduserte fysiske, sensoriske eller mentale evner, eller personer som mangler erfaring og kunnskap.
- Denne maskinen er laget for bruk med rengjøringsmiddelet som følger med eller anbefales av produsenten. Hvis du bruker andre rengjøringsmidler eller kjemikalier, kan det gå utover maskinens sikkerhet.
- Høytrykksstråler kan være farlige hvis de brukes på feil måte. Strålen må ikke rettes mot personer, strømførende utstyr eller selve maskinen.
- Ikke bruk maskinen i nærheten av personer med mindre de har på seg verneklær.
- Ikke rett strålen mot deg selv eller andre for å rengjøre klær eller skotøy.
- Eksplosjonsfare – ikke sprøyt brennbare væsker.
- Høytrykksvaskere skal ikke brukes av barn eller personer uten opplæring.
- Høytrykkslanger, utstyr og koblinger er viktige for maskinens sikkerhet. Bruk kun slanger, utstyr og koblinger som anbefales av produsenten.
- Bruk kun originale reservedeler fra produsenten eller som er godkjent av produsenten, for å bevare maskinens sikkerhet.
- Forviss deg alltid om at maskinen er slått av og støpselet trukket ut av kontakten før du utfører noe arbeid på maskinen.
- Ikke bruk maskinen hvis en strø姆ledning eller viktige deler av maskinen er skadet, f.eks. sikkerhetsutstyr, høytrykkslanger, sprøytepestol.
- Upassende skjøteledninger kan være farlige. Hvis du skal bruke skjøteledning, må den være egnet for utendørs bruk, og tilkoblingen må holdes tørr og være over bakken. Det anbefales at dette oppnås ved hjelp av en kabeltrommel som holder stikkontakten minst 60 mm over bakken.

- Slå alltid av strømnnettbyteren når du lar maskinen stå uten tilsyn.
- Følg kravene til det lokale vannverket.
- For land i Europa:  
Ifølge EN12729 (BA) kan innretningen også kobles til drikkevannforsyningen hvis en sikkerhetsventil for tilbakestrømning med tappeutstyr er installert i tilførselsslagen.

## TEKNISKE DATA

Modell:		HW1200	HW1300
Maks. matevolum		7,0 l/min	7,5 l/min
Vannstrømningshastighet		5,5 l/min	6,0 l/min
Maks. tillatt trykk		12 MPa (120 bar)	13 MPa (130 bar)
Arbeidstrykk	Høy modus	10 MPa (100 bar)	11 MPa (110 bar)
	Lav modus	-	8 MPa (80 bar)
Maks. matetrykk		1 MPa (10 bar)	
Maks. matetemperatur		40 °C	
Maks. sugehøyde		1,0 m	
Mål (L x B x H)		292 mm x 358 mm x 830 mm	
Vekt		11,0 kg	12,7 kg
Motorbeskyttelse		IPX5	

- På grunn av vårt kontinuerlige forsknings- og utviklingsprogram kan spesifikasjonene som oppgis i dette dokumentet endres uten varsel.
- Spesifikasjonene kan variere fra land til land.
- Vekt i henhold til EPTA-prosedyre 01/2003

## Symboler

Nedenfor ser du symbolene som brukes for dette utstyret. Forviss deg om at du forstår hva de betyr, før du begynner å bruke maskinen.



Les bruksanvisningen.



Vær spesielt forsiktig og oppmerksom.



DOBBEL ISOLERING



Kun for land i EU  
Ikke kast elektrisk utstyr sammen med husholdningsavfall! I henhold til EU-direktivet om kasserte elektriske og elektroniske produkter og direktivets iverksetting i nasjonal rett, må elektriske produkter som ikke lenger skal brukes, samles separat og returneres til et miljøvennlig gjenvinningsanlegg.



Ikke rett strålen mot personer, inkludert deg selv, dyr og strømførende utstyr.



Ikke egnet for tilkobling til den bærbare hovedvannledningen.

## Riktig bruk

Dette verktøyet er beregnet på å gjerne gjenstridig smuss med en vannstråle. Dette verktøyet er beregnet på å brukes i husholdningen.

## Strømforsyning

Maskinen må bare kobles til en strømkilde med samme spenning som vist på typeskiltet, og kan bare brukes med enfase-vekselstrømforsyning. Den er dobbelt verneisolert og kan derfor også brukes fra kontakter uten jording.

## For offentlige lavspenningsnett på mellom 220 V og 250 V

Inn- og utkobling av elektriske apparater forårsaker spenningsvariasjoner. Bruken av dette apparatet under uheldige forhold i strømnettet kan ha negative virkninger på bruken av annet utstyr. Når strømnettimpedansen er lik eller lavere enn 0,25 ohm, er det grunn til å anta at ingen negative virkninger vil oppstå. Nettuttaket som brukes til dette apparatet må være beskyttet av en treg sikring eller et tregt overlastvern.

## Støy

Typisk A-vektet lydtrykknivå er bestemt i henhold til EN60335-2-79:

### Modell HW1200

Lydtrykknivå ( $L_{pA}$ ): 72 dB (A)  
Usikkerhet (K): 3,8 dB (A)

### Modell HW1300

Lydtrykknivå ( $L_{pA}$ ): 76 dB (A)  
Usikkerhet (K): 2,4 dB (A)

Støynivået under arbeid kan overskride 80 dB (A).

**ADVARSEL:** Bruk hørselsvern.

## Vibrasjoner

Den totale vibrasjonsverdien (triaksial vektorsum) bestemt i henhold EN60335-2-79:

### Modell HW1200

Genererte vibrasjoner ( $a_h$ ): 4,11 m/s<sup>2</sup>  
Usikkerhet (K): 1,5 m/s<sup>2</sup>

### Modell HW1300

Genererte vibrasjoner ( $a_h$ ): 4,86 m/s<sup>2</sup>  
Usikkerhet (K): 1,5 m/s<sup>2</sup>

**MERK:** Den angitte verdien for de genererte vibrasjonene er målt i samsvar med standardtestmetoden og kan brukes til å sammenlikne et verktøy med et annet.

**MERK:** Den angitte verdien for de genererte vibrasjonene kan også brukes til en foreløpig vurdering av eksponeringen.

**ADVARSEL:** De genererte vibrasjonene ved faktisk bruk av elektroverktøyet kan avvike fra den angitte vibrasjonsverdien, avhengig av hvordan verktøyet brukes.

**ADVARSEL:** Sørg for å identifisere vernetiltak for å beskytte operatøren, som er basert på et estimat av eksponeringen under de faktiske bruksforholdene (idet det tas hensyn til alle deler av driftssyklusen, dvs. hvor lenge verktøyet er slått av, hvor lenge det går på tomgang og hvor lenge startbryteren faktisk holdes trykket).

## EFs samsvarserklæring

### Gjelder kun for land i Europa

EFs samsvarserklæring er lagt til som vedlegg A i denne bruksanvisningen.

## SIKKERHETSADVARSEL

**ADVARSEL:** Les alle sikkerhetsadvarslene og alle instruksjonene. Hvis du ikke følger alle advarslene og instruksjonene som er oppført nedenfor, kan det føre til elektriske støt, brann og/eller alvorlige helseskader.

## Oppbevar alle advarsler og instruksjoner for senere bruk.

### Sikkerhet på arbeidsplassen

1. Sørg for at det ikke finnes personer på arbeidsplassen.
2. Ikke strekk deg for langt eller stå på ustabil underlag. Pass alltid på at du holder balansen og har godt fotfeste.
3. Høytrykksspylerhuset skal alltid plasseres på et jevnt og stabilt underlag. Unngå områder der vannet som spruter ut vil danne bekker eller pytter.
4. Før du begynner å rengjøre, må du kontrollere omgivelsene og gjenstandene som skal rengjøres. Høytrykkstråler kan spyle bort maling eller annen overflatebehandling, inkludert giftige kjemikalier. Iverksett forebyggende tiltak ved behov.
5. Unngå å snuble i ledningen eller slangen til høytrykksspyleren. Vær alltid oppmerksom på hvor ledningen og slangen befinner seg under bruk.
6. Under bruk vil det renne litt vann ut av bunnen på høytrykksspyleren. Unngå å plassere høytrykksspyleren på steder som du ikke vil skal bli våte.

### Personlig sikkerhet

1. For å beskytte seg mot strålen og gjenstander som strålen sender ut, skal operatører bruke utstyr som vernesko, vernehansker, hjelm med visir, hørselsvern, osv.
2. Ikke bruk høytrykksspyleren i nærheten av personer med mindre de har på seg verneklær.
3. Vær ekstra oppmerksom når produktet brukes i nærheten av barn for å redusere faren for skade.
4. Vann om har strømmet gjennom sikkerhetsventilen som tilbakestrømning anses for å være udrikkelig.

### Elektrisk sikkerhet

1. Bruk aldri høytrykksspyleren utendørs i regnvær.
2. Du må aldri berøre støpselet eller stikkkontakten med våte hender.
3. Ikke bruk maskinen hvis strømledningen eller viktige deler av maskinen er skadet, f.eks. sikkerhetsutstyr, høytrykksslanger eller sprøtepistol.
4. Støpselet må passe til det aktuelle strømuttaket. Støpselet må aldri endres eller modifiseres på noen måte. Ikke bruk adapterstøpsler med jordede verktøy. Ikke-modifiserte støpsler og passende strømuttak reduserer faren for elektrisk støt.
5. Upassende skjøteledninger kan være farlige. Hvis du skal bruke skjøteledning, må den være egnet for utendørs bruk, og tilkoblingen må holdes tørr og være over bakken. Det anbefales at dette oppnås ved hjelp av en kabeltrommel som holder stikkkontakten minst 60 mm over bakken.

6. Vær oppmerksom på følgende ved bruk av skjøteledninger:
  - Bruk kun skjøteledninger som er beregnet på utendørs bruk.
  - Bruk kun skjøteledninger med en elektrisk ytelse som er lik eller høyere enn produktets ytelse.
  - Ikke bruk skjøteledninger som er skadet.
  - Undersøk skjøteledninger før bruk, og skift dem ut hvis de er skadet.
  - Ikke utsett skjøteledninger for feilaktige belastninger, og ikke dra i dem når de skal kobles fra.
  - Hold ledninger unna varme og skarpe kanter.
  - Koble alltid skjøteledningen fra stikkontakten før du kobler produktet fra skjøteledningen.
7. Tilkoblingen av strømforsyningen skal utføres av en kvalifisert elektriker og oppfylle IEC 60364-1. Det anbefales at strømforsyningen til denne maskinen skal omfatte enten en reststrømenhet som vil bryte forsyningen hvis lekkasjestrømmen til jord overskrider 30 mA i 30 ms eller en enhet som vil kontrollere den jodede strømkretsen.

#### Bruk og vedlikehold av elektrisk verktøy

1. Les alle anvisningene før du bruker produktet.
2. Du må vite hvordan du skal stanse høytrykksspyleren og tappe trykket raskt. Gjør det grundig kjent med kontrollene.
3. Høytrykksstråler kan være farlige hvis de brukes på feil måte. Strålen må ikke rettes mot personer, strømførende utstyr eller selve maskinen.
4. Denne maskinen skal ikke brukes av personer (inkludert barn) med reduserte fysiske, sensoriske eller mentale evner, eller personer som mangler erfaring og kunnskap.
5. Barn må være under oppsyn for å sikre at de ikke leker med maskinen.
6. Ikke sprøyt brennbare og/eller giftige væsker. Det kan forårsake en eksplosjon, forgiftning eller skade på maskinen.
7. Ikke rett strålen mot deg selv eller andre for å rengjøre klær eller skotøy.
8. Høytrykksslanger, utstyr og koblinger er viktige for maskinens sikkerhet. Bruk kun slanger, utstyr og koblinger som anbefales av produsenten.
9. Følg anvisningene når du bytter tilbehør.
10. Hold håndtakene tørre, rene og fri for olje eller smørefett.
11. Vær årvåken – følg med på hva du gjør.
12. Ikke bruk produktet når du er sliten eller under påvirkning av alkohol eller narkotika/legemidler.
13. Ikke bruk høytrykksspyleren i mer enn ett minutt uten vann. Det vil skade motoren og føre til at høytrykksspyleren ikke virker.
14. Slå alltid av strømmen og vanntilførselen når du lar høytrykksspyleren stå uten tilsyn.

15. Vær oppmerksom på muligheten for tilbake-slag. Sprøytepipistolen slår tilbake når høytrykksstrålen spruter ut av munnstykket. Hold godt tak i sprøytepipistolen for å unngå uhell og skader.
16. Kontroller med tanke på skadde eller slitte deler før bruk. Pass dessuten på at slangen er riktig tilkoblet og at det ikke oppstår lekkasje under bruk. Hvis du bruker maskinen når den er defekt, kan det føre til uhell.
17. Denne maskinen er laget for bruk med rengjøringsmiddelet som følger med eller anbefales av produsenten. Hvis du bruker andre rengjøringsmidler eller kjemikalier, kan det gå utover maskinens sikkerhet.
18. Ikke dra i ledningen og/eller slangen når du skal flytte høytrykksspylerhuset. Det vil skade ledningen, slangen og tilkoblingsdelene, og føre til kortslutningen eller funksjonsfeil.
19. Ikke plasser tunge gjenstander på slangen eller la kjøretøy kjøre over den.
20. Slipp alltid ut resttrykket i sprøytepipistolen før du kobler fra slangen.
21. Når du kobler slangen til vannforsyningen, må du ta hensyn til anvisningene fra det lokale vannverket.

#### Service

1. Følg vedlikeholdsanvisningene som er angitt i bruksanvisningen.
2. Bruk kun originale reservedeler fra produsenten eller som er godkjent av produsenten, for å bevare maskinens sikkerhet.
3. La en kvalifisert reparatør utføre service på høytrykksspyleren, og se til at vedkommende kun bruker originale reservedeler. Dette vil opprettholde sikkerheten til høytrykksspyleren.
4. Hvis det oppstår en defekt eller funksjonsfeil på høytrykksspyleren, må du slå den av umiddelbart og dra ut støpselet. Ta kontakt med den lokale forhandleren eller serviceverkstedet.

## TA VARE PÅ DISSE INSTRUKSENE.

**⚠ ADVARSEL:** IKKE LA hensynet til hva som er "behagelig" eller det faktum at du kjenner produktet godt (etter mange gangers bruk) gjøre deg mindre oppmerksom på sikkerhetsreglene for bruken av det aktuelle produktet.

Ved MISBRUK eller hvis ikke sikkerhetsreglene i denne bruksanvisningen følges, kan det oppstå alvorlig personskade.

## FUNKSJONSBEKRIVELSE

**⚠️FORSIKTIG:** Forviss deg alltid om at maskinen er slått av og støpselet trukket ut av kontakten før du justerer eller kontrollerer de mekaniske funksjonene.

### Strømbryter

**OBS:** Ikke bruk makt når du slår på strømbryteren. Det kan føre til at bryteren ikke virker.

#### For HW1200

► **Fig.1:** 1. OFF (AV)-stilling 2. ON (PÅ)-stilling

Drei strømbryteren med klokken for å slå på høytrykksspyleren.

#### For HW1300

Drei strømbryteren med eller mot klokken, avhengig av trykknivået. Drei strømbryteren med klokken for høy trykkmodus, mot klokken for lav trykkmodus.

► **Fig.2:** 1. Lav trykkmodus 2. OFF (AV)-stilling 3. Høy trykkmodus

### Munnstykkefunksjoner

#### Vario-Power strålerør

► **Fig.3**

Stråletrykket kan justeres ved å rotere munnstykket.

**⚠️FORSIKTIG:** Når du justerer stråletrykket, må du ikke rotere munnstykket samtidig som du drar det mot sprøytepipstolen. Munnstykket kan løsne fra sprøytepipstolen og føre til personskader.

#### Smussfjerner

► **Fig.4**

Et spiralformet stråle sprøytes ut. Egnert for å fjerne gjenstridig smuss.

**OBS:** Ikke bruk smussfjerner når du skal rengjøre skjøre overflater slik som vinduer eller karosserier.

#### Skummunnstykke

► **Fig.5**

Vaskemiddel kan sprøytes som skum.

### Bruke utløseren

Dra i utløseren for å sprøyte ut en vannstråle. Strålen fortsetter å strømme ut så lenge du holder utløseren inne.

Utløseren kan låses slik at sprøytepipstolen kan håndteres på en sikker måte. Hvis du vil låse utløseren, drar du ut stopperen og hefter den i sporet på håndtaket.

► **Fig.6:** 1. Stopper 2. Spor

**OBS:** La det alltid gå to sekunder mellom hver gang du trykker på utløseren slik at du unngår mekanisk feil i trykkbryteren.

### Sikkerhetsventil

Enheten er utstyrt med en sikkerhetsventil som hindrer overtrykk. Når du slipper utløseren, åpnes ventilen, og vannet resirkuleres gjennom pumpeinnløpet.

**⚠️FORSIKTIG:** Ikke tukle med eller juster sikkerhetsventilinnstillingen.

### Slangetroffel

#### Kun for HW1300

Når du skal rulle ut slangen, må du først ta enden av slangen ut av hekten. Brett ut håndtaket, og dreier det med klokken. Du må alltid rulle slangen helt ut når du skal bruke høytrykksspyleren.

► **Fig.7:** 1. Slangetroffel 2. Håndtak 3. Enden av slangen

Når du skal oppbevare slangen, dreier du håndtaket mot klokken og fester enden av slangen.

► **Fig.8:** 1. Hekte 2. Håndtak

### Forsyne vann fra en tank/et reservoar

#### Valgfritt tilbehør

Du kan forsyne vann fra en tank eller et reservoar i stedet for en vannkran.

Bytt ut vannslangetilkoblingen med sugeslangesettet (valgfritt tilbehør). Når du skal koble til sugeslangesettet, kobler du filterhuset fra slangen og fester det til innløpet på høytrykksspyleren. Deretter kobler du slangen til filterhuset.

► **Fig.9:** 1. Tank/reservoar 2. Sugelangesett 3. Vannslangetilkobling 4. Slange 5. Filterhus 6. Innløp på høytrykksspyleren

**OBS:** Bruk alltid Makitas sugelangesett.

**OBS:** Sørg alltid for at det er en høyde på 1,0 m (3,28 ft) eller mindre mellom innløpet på høytrykksspyleren og vannflaten. Ellers klarer ikke høytrykksspyleren og trekke vannet opp i pumpen.

For å føre vann inn i slangen fjerner du munnstykket fra sprøytepipstolen og slår på høytrykksspyleren samtidig som du holder utløseren inne. Når vannet sprøytes jevnt ut fra sprøytepipstolen, slipper du utløseren og kobler til ønsket munnstykke.

► **Fig.10:** 1. Sprøytepipstol

**MERK:** Når det ikke sprøytes ut vann, kobler du fra sugelangesettet og senker det i vann. Deretter kobler du den til høytrykksspyleren igjen.

► **Fig.11:** 1. Sugelangesett

## MONTERING

**⚠️FORSIKTIG:** Forviss deg alltid om at maskinen er slått av og støpselet trukket ut av kontakten før du utfører noe arbeid på maskinen.

## Sette sammen bærehåndtaket

### Kun for HW1200

1. Sett sammen den fremre og bakre halvdel av håndtaket ved å innrette skru hullene på høytrykksspylserhuset.

► **Fig.12:** 1. Fremre halvdel av håndtaket 2. Bakre halvdel av håndtaket 3. Høytrykksspylserhus

2. Feste bærehåndtaket med skruer (7 stk.).

► **Fig.13**

## Koble til høytrykksslengen

### Kun for HW1200

Koble høytrykksslengen til uttaket (med pistolmerkingen). Drei mutteren på høytrykksslengen med klokken samtidig som du skrur den fast på uttakets skrugegjenge.

► **Fig.14:** 1. Uttak 2. Mutter

**⚠FORSIKTIG: Kontroller at høytrykksslengen sitter helt fast.** En løs tilkoblingen kan føre til at høytrykksslengen løsner og forårsaker personskader.

## Koble til sprøytepipstolen

Koble høytrykksslengen til innløpet på sprøytepipstolen. Drei mutteren på høytrykksslengen med klokken samtidig som du skrur den fast på innløpets skrugegjenge.

► **Fig.15:** 1. Innløp 2. Mutter

**⚠FORSIKTIG: Kontroller at høytrykksslengen sitter helt fast.** En løs tilkoblingen kan føre til at høytrykksslengen løsner og forårsaker personskader.

## Koble til en vannkran

**⚠FORSIKTIG: Bruk alltid en trykkløst vannslange med en diameter på  $\varnothing 13$  eller større, og koble til vannkranen med riktig utstyr.** Ellers kan vannslangen og/eller utstyret ryke og forårsake personskader.

**OBS: Bruk en trykkløst vannslange som er så kort som mulig.** Mengden med innløpsvann skal være høyere enn maks. matevolum for pumpen.

**OBS: Hvis du kobler til hovedrøret for drikkevann, må du bruke en sikkerhetsventil for tilbakestrømning som oppfyller de lokale forskriftene.**

Klargjør en trykkløst vannslange. Koble koblingshylsteret til én ende, og koble den andre enden til vannkranen på følgende måte.

1. Fjern mutteren på koblingshylsteret, og før den trykkløst vannslangen gjennom mutteren. Før enden av slangen inn i koblingshylsteret, og trekk til mutteren.

► **Fig.16:** 1. Trykkløst vannslange 2. Mutter på koblingshylsteret 3. Koblingshylster

**MERK:** Hvis du kobler den trykkløst vannslangen til vannkranen med et koblingshylster, må du koble en annen til den andre enden av slangen.

2. Koble den trykkløst vannslangen til vannkranen. Sett på riktig utstyr, for eksempel en slangeklemme eller vannkranovergang, for å feste enden av slangen til vannkranen.

► **Fig.17:** 1. Slangeklemme 2. Vannkranovergang 3. Trykkløst vannslange

**MERK:** Utstyret avhenger av formen på vannkranen du kobler til. Klargjør egnet utstyr som er kjøpt kommersielt.

3. Koble vannslangetilkoblingen til innløpet (med vannkranmerkingen), og før deretter inn koblingshylsteret.

► **Fig.18:** 1. Koblingshylster 2. Vannslangetilkobling 3. Innløp

## Koble til/fra munnstykket

**⚠FORSIKTIG: Lås alltid utløseren når du skal koble til/fra munnstykket.**

Før enden av munnstykket inn i sporet på sprøytepipstolen, og drei det i pilens retning slik figuren viser. Når du skal koble fra, dreier du munnstykket i motsatt retning mens du presser den mot sprøytepipstolen.

► **Fig.19:** 1. Sprøytepipstol 2. Åpning 3. Enden av munnstykket

Enkelte valgfrie munnstykker krever overgangen (valgfritt tilbehør) når sprøytepipstolen skal kobles til. Koble overgangen til sprøytepipstolen på samme måte som munnstykket.

► **Fig.20:** 1. Munnstykke 2. Overgang 3. Sprøytepipstol

**MERK:** Du må bruke overgangen når du benytter munnstykkene som følger med en annen modell, HW112 eller HW121.

## Koble til skummunnstykket

**⚠FORSIKTIG: Lås alltid utløseren når du skal koble til/fra munnstykket.**

Klargjør et vaskemiddel før du bruker skummunnstykket.

1. Fjern munnstykket fra tanken ved å rotere munnstykket mot klokken. Koble munnstykket til sprøytepipstolen.

► **Fig.21:** 1. Munnstykke 2. Sprøytepipstol

2. Tøm vaskemiddelet i tanken, og fest den til munnstykket.

► **Fig.22:** 1. Beholder

**OBS: Bruk alltid nøytralt vaskemiddel.** Syreholdig eller alkalisk vaskemiddel kan skade tanken eller munnstykket.

## BRUK

**⚠ADVARSEL: Ikke berør vannstrålen eller rett den mot deg selv eller andre.** Vannstrålen er farlig og kan skade deg eller andre.

**⚠ADVARSEL: Når bruker vannstrålen, må du aldri holde gjenstanden som du skal rengjøre eller plassere hendene eller føttene nær vannstrålen.**

**⚠FORSIKTIG:** Vær oppmerksom på at vannstrålen kan slå tilbake eller gjenstander bli blåst bort. Ikke hold munnstykket nærmere enn 30 cm .

**⚠FORSIKTIG:** Ikke bruk høytrykksspyleren i mer enn 1 minutt uten vann.

**⚠FORSIKTIG:** Ikke bruk høytrykksspyleren i lange perioder. Det kan føre til overoppheting eller brann. Langvarig bruk kan dessuten føre til overdreven vibrasjon.

**⚠FORSIKTIG:** Vær oppmerksom på vindretningen. Hvis du får vaskemiddel i øynene eller munnen, må du umiddelbart skylle med rent vant og oppsøke lege ved behov.

**OBS:** Unngå å bruke høytrykksspyleren i mer enn 1 time. Når du har brukt den i 1 time, må du la den hvile like lenge.

1. Koble enden av høytrykksslengen til sprøytepipistolen. På HW1200 kobler du den andre enden til høytrykksspyleren. På HW1300 ruller du slangen helt ut.

2. Koble høytrykksspyleren til vannkranen, og åpne vannkranen.

► Fig.23

**OBS:** For å beskytte høytrykksspylerens mekanisme, må du aldri bruke vann som er varmere enn 40 °C.

3. Koble høytrykksspyleren til strømmettet, og slå den på.

► Fig.24: 1. Strømbryter

4. Åpne stopperen, og klem på utløseren for å sende ut en vannstråle. Strålen fortsetter å strømme ut så lenge du holder utløseren inne.

► Fig.25: 1. Stopper

**⚠FORSIKTIG:** Hold godt tak i sprøytepipistolen. Sprøytepipistolen slår tilbake når du klemmer på utløseren.

**⚠FORSIKTIG:** Hold alltid sprøytepipistolen i håndtaket og løpet under rengjøring. Når motoren er i drift, må du ikke berøre andre deler av høytrykksspylerhuset enn bærehåndtaket og strømbryteren.

**OBS:** Ikke dra for hardt når du bruker sprøytepipistolen. Det kan føre til at høytrykksspyleren velter.

## Etter bruk

**⚠FORSIKTIG:** Etter bruk må du alltid utføre prosedyren som beskrives i bruksanvisningen. Resttrykk i sprøytepipistolen eller høytrykksspyleren kan forårsake personskader eller skade på den innvendige pumpen.

1. La strømbryteren stå på etter bruk.

2. Steng vannkranen, og koble vannslangen fra høytrykksspyleren.

► Fig.26

3. Klem på utløseren til resten av vannet i høytrykksspyleren har rent ut.

Ikke la motoren svive i mer enn 1 minutt.

► Fig.27

4. Slå av høytrykksspyleren, og koble den fra strømmettet.

► Fig.28: 1. Strømbryter

5. Koble høytrykksspyleren fra sprøytepipistolen.

► Fig.29: 1. Sprøytepipistol 2. Høytrykksslange

På HW1200 må du også koble høytrykksslengen fra høytrykksspyleren.

► Fig.30: 1. Høytrykksslange

På HW1300 må du rulle inn slangen og feste enden av slangen.

► Fig.31: 1. Hekte 2. Håndtak

**OBS:** Fjern resten av vannet fra slangen før oppbevaring slik at du unngår skade på høytrykksslengen.

## VEDLIKEHOLD OG OPPBEVARING

**⚠FORSIKTIG:** Forviss deg alltid om at maskinen er slått av og støpselet trukket ut av kontakten før du foretar inspeksjon eller vedlikehold.

**OBS:** Aldri bruk gasolin, bensin, tynner alkohol eller lignende. Det kan føre til misfarging, deformering eller sprekkdannelse.

## Rengjøre munnstykket

Bruk rengjøringspinnen for å fjerne smuss fra eller stake opp munnstykket.

► Fig.32: 1. Rengjøringspinne

**OBS:** Ikke fjern smuss eller rester med makt. Det kan føre til personskader eller skade utskyttingsmunningen og forårsake skjeve stråler eller dårlig ytelse.

## Rengjøre filteret

Koble fra vannslangekoblingen, og fjern smuss og rester fra insiden av filteret.

► Fig.33: 1. Vannslangeitilkobling 2. Filter 3. Tetningsring

Når du bruker sugeslangesettet (valgfritt tilbehør), tar du filteret ut av filterhuset og fjerner smuss og rester.

► Fig.34: 1. Filter 2. Filterhus

**MERK:** Rengjør filteret regelmessig slik at du oppnår optimal ytelse.



## Oppbevaring

Rull inn slangen og ledningen. Plasser sprøytepipistolen og munnstykkene i lommene.

HW1200

► Fig.35

HW1300

► Fig.36

**⚠FORSIKTIG:** Skal alltid oppbevares innendørs på et frostfritt sted. Hvis høytrykksspyleren fryser og blir defekt, kontakter du det lokale serviceverkstedet for reparasjon.

**⚠FORSIKTIG:** Bruk alltid bærehandtaket når du flytter høytrykksspyleren. Ikke bær den i slangen eller ledningen. Slangen eller ledningen kan bli skadet.

**⚠FORSIKTIG:** Ikke bær høytrykksspyleren mens slangen og/eller ledningen er rullet ut. Det kan føre til at slangen eller ledningen blir skadet eller vikler seg inn i andre gjenstander og forårsaker personskaade eller brudd.

For å opprettholde produktets SIKKERHET og PÅLITELIGHET, må reparasjoner, vedlikehold og justeringer utføres av autoriserte Makita servicesentre eller fabrikk servicesentre, og det må alltid brukes reservedeler fra Makita.

## FEILSØKING

Insipser utstyret selv før du bestiller reparasjon. Ikke prøv å demontere verktøyet hvis du finner et problem som ikke er forklart i brukerveiledningen. I stedet bør du ta kontakt med et av Makitas autoriserte servicesentre, som alltid bruker reservedeler fra Makita til reparasjoner.

Unormal tilstand	Sannsynlig årsak (feil)	Løsning
Høytrykksspyleren starter ikke.	Ingen strøm	Koble støpselet til strømmettet. Kontroller dessuten av strømmettet blir forsynt med strøm.
	Bryteren er ikke slått på.	Slå på bryteren.
	Resttrykk i pumpen	Dra i utløseren.
	Skadet ledning eller strømkrets	Kontakt et autorisert serviceverksted for reparasjon.
Ingen vannstråle/svak vannstråle	Ingen vanntilførsel	Kontroller at vannkranen er åpen. Hvis du bruker sugeslangesettet, må du føre vann inn i slangen.
	Dårlig vanntilførsel	Slå på vannkranen.
	Dårlig vannslangetilkobling	Kontroller tilkoblingen mellom vannslangen og vannkranen samt innløpet på høytrykksspyleren.
	Tilstoppet slange, filter eller munnstykke	Stak opp slangen, filteret eller munnstykket.
	Luft sperrer vannstrømmen.	Slå av bryteren, og slå den deretter på igjen samtidig som du klemmer på utløseren.
	Skadet eller utslitt munnstykke	Skift ut munnstykket.
	Feil på pumpe eller ventil	Kontakt et autorisert serviceverksted for reparasjon.
Ustabil vannstråle.	Tilstoppet dyse	Stak opp utskytingsmunningen på munnstykket med rengjøringsspinnen.
	Dårlig vanninntak	Kontroller vannslangen fra vannkranen og videre med tanke på lekkasje eller tilstopping. Slå på vannkranen.
	Vannet er for varmt.	Tilfør kaldere vann.
	Ventilfeil	Kontakt et autorisert serviceverksted for reparasjon.
Uvanlig lyd.	Vannet er for varmt.	Tilfør kaldere vann.
	Luft sitter fast i pumpen.	Kontakt et autorisert serviceverksted for reparasjon.
Lekkasje av vann/olje.	Dårlig tilkobling	Kontroller tilkoblingen mellom høytrykksslangen og sprøytepipistolen samt høytrykksspyleren.
	Utslitte tetninger	Kontakt et autorisert serviceverksted for reparasjon.
Pumpen svinger ikke selv om du kan høre motorlyd.	Uegnet skjøteledning.	Bruk en skjøteledning som er egnet for produktets tyelse.

# VALGFRITT TILBEHØR

**⚠FORSIKTIG:** Det anbefales at du bruker dette tilbehøret eller verktøyet sammen med den Makita-maskinen som er spesifisert i denne håndboken. Bruk av annet tilbehør eller verktøy kan forårsake personskader. Tilbehør og verktøy må kun brukes til det formålet det er beregnet på.

Ta kontakt med ditt lokale Makita-servicesenter hvis du trenger mer informasjon om dette tilbehøret.

**MERK:** Enkelte elementer i listen kan være inkludert som standardtilbehør i verktøypakken. Elementene kan variere fra land til land.

## Strålerør

► Fig.37

Strålebredden kan justeres fra 0° til 25° ved å rotere den fremre enden av munnstykket.

**⚠FORSIKTIG:** Når du justerer strålebredden, må du ikke rotere munnstykket samtidig som du drar det mot sprøytepipstolen. Munnstykket kan løsne fra sprøytepipstolen og føre til personskader.

## Vaskebørste (lang)

► Fig.38

Et munnstykke utstyrt med en børste. Praktisk for vasking av smuss samtidig som du skrubber med børsten.

## Sugeslangesett

► Fig.39

Erstatt vannslangen med dette settet for å tilføre vann fra en tank eller et reservoar.

## Roterende vaskebørste

► Fig.40

Tre innvendige børster roterer sakte samtidig som strålen sprøytes ut. Egnet for rengjøring av lett smuss på en utvendig vegg, et karosseri, et badekar, osv.

## Rørforlenger

► Fig.41

Rør som brukes for å forlenge sprøytepipstolens lengde. Tre forskjellige lengder er tilgjengelige ved å endre antall rør som brukes.

## Strålerør for understell

► Fig.42

Et ekstra langt strålerør med vinklet munnstykke. Best egnet for rengjøring av vanskelig tilgjengelige steder som bilens understell og takrenner.

**⚠FORSIKTIG:** Ikke bruk strålerøret for understell sammen med rørforlengeren.

## Sprutbeskytter

► Fig.43

Reduserer sprut bakover ved rengjøring av hjørner med smussfjerner.

## Vrikobling

► Fig.44

Hindrer at høytrykksslangen vrir seg.

## Overgang

► Fig.45

En overgang som brukes for å koble til et munnstykke fra en annen modell.

**MERK:** Du må bruke overgangen når du benytter munnstykkene som følger med en annen modell, HW112 eller HW121.

## Rørrengjøringssett (10 m/15 m)

► Fig.46

For rengjøring og oppsteking av sanitæranlegg og nedløpsrør.

**⚠FORSIKTIG:** Vær spesielt oppmerksom på vannstrålen når du bruker rørrengjøringssettet. En svært kraftig vannstrålen sprøytes ut bakover.

## Forlengelsehøytrykksslange (5 m/8 m/10 m)

► Fig.47

Forlengelsesslange som brukes for å koble høytrykks-spylerhuset til sprøytepipstolen.

## VAROITUS

- Laitteita ei saa käyttää lasten toimesta. Lapsia tulee valvoa ja varmistaa, etteivät he pääse leikkimään laitteella.
- Tämä laite ei ole tarkoitettu sellaisten henkilöiden, esimerkiksi lasten, käytettäväksi, joiden fyysiset, sensoriset tai henkiset kyvyt tai kokemuksen tai tiedon puute estävät heitä käyttämästä laitetta turvallisesti.
- Tämä laite on suunniteltu käytettäväksi mukana toimitetun tai valmistajan suositteleman pesuaineen kanssa. Muiden pesuaineiden tai kemikaalien käyttö voi vaikuttaa haitallisesti laiteturvallisuuuteen.
- Korkeapainesuihkut voivat olla vaarallisia väärinkäytettynä. Suihkua ei saa suunnata suoraan henkilöihin, jännitteellisiin sähkölaitteisiin tai itse laitteeseen.
- Älä käytä laitetta sivullisten henkilöiden läsnäollessa, ellei heillä ole suojavaatetusta.
- Älä suuntaa suihkua itseäsi tai sivullisia kohti vaatteiden tai jalkineiden puhdistamista varten.
- Räjähdysvaara - Älä suihkuta herkästi syttyviä nesteitä.
- Korkeapainepesureita ei saa käyttää lasten tai kouluttamattoman henkilöstön toimesta.
- Korkeapaineletkut, liittimet ja kiinnikkeet ovat tärkeitä tekijöitä laiteturvallisuuden varmistamiseksi. Käytä ainoastaan valmistajan suosittelemia letkuja, liittimiä ja kiinnikkeitä.
- Laiteturvallisuuden varmistamiseksi käytä aina valmistajan toimitamia alkuperäisiä varaosia tai valmistajan hyväksymiä varaosia.
- Varmista aina ennen laitteelle tehtäviä toimenpiteitä, että laite on sammutettu ja irrotettu virransyötöstä.
- Älä käytä laitetta, jos sen virtajohto tai muut tärkeät laiteosat ovat vaurioituneet, kuten esim. turvalaitteet, korkeapaineletkut, suihkupistooli.
- Puutteelliset jatkojohdot voivat olla vaarallisia. Käytettäessä jatkojohtoa, sen täytyy soveltua ulkokäyttöön ja liitäntä on pidettävä kuivana ja irrallaan maasta. Suosittelemme käyttämään johtokelaa, sillä se pitää pistorasian vähintään 60 mm maaperän yläpuolella.
- Jos laite jätetään ilman valvontaa, irrota se aina virransyötöstä.
- Huomioi paikallisen vesilaitoksen tai vesiyltiön vaatimukset.

- Euroopan valtiot:  
EN12729 (BA) mukaisesti, laite voidaan liittää myös vesijohtovesiverkkoon, jos poistohanallinen takaiskuventtiili on asennettuna vedensyöttöletkuun.

## TEKNISET TIEDOT

Malli:		HW1200	HW1300
Maksimisyöttötilavuus		7,0 l/min	7,5 l/min
Veden virtausnopeus		5,5 l/min	6,0 l/min
Sallittu maksimikäyttöpaine		12 MPa (120 baaria)	13 MPa (130 baaria)
Käyttöpaine	Korkea tila	10 MPa (100 baaria)	11 MPa (110 baaria)
	Matala tila	-	8 MPa (80 baaria)
Maksimisyöttöpaine		1 MPa (10 baaria)	
Maksimisyöttölämpötila		40 °C	
Maksimi-imukorkeus		1,0 m	
Mitat (P x L x K)		292 mm x 358 mm x 830 mm	
Paino		11,0 kg	12,7 kg
Moottorin suojausluokka		IPX5	

- Jatkuvasta tutkimus- ja kehitystyöstämme johtuen esitetyt tekniset tiedot saattavat muuttua ilman erillistä ilmoitusta.
- Tekniset tiedot voivat vaihdella maittain.
- EPTA-menettelyn 01/2003 mukainen paino

## Symbolit

Laitteessa on käytetty seuraavia symboleja. Opettele niiden merkitys ennen käyttöä.



Lue käyttöohje.



Noudata erityistä varovaisuutta ja kiinnitä huomiota.



KAKSINKERTAINEN ERISTYS



Koskee vain EU-maita  
Älä hävitä sähkötarvikkeita tavallisen kotitalousjätteen mukana! Vanhoja sähkö- ja elektroniikkalaitteita koskevan EU-direktiivin ja sen maakohtaisten sovelusten mukaisesti käytetyt sähkötarvikkeet on toimitettava ongelmajätteen keräyspisteeseen ja ohjattava ympäristöystävälliseen kierrätykseen.



Älä suuntaa suihkua itseäsi, muita sivullisia henkilöitä, eläimiä ja jännitteellisiä sähkölaitteita kohti.



Ei sovellu liitettäväksi puhdasvesiverkkoon.

## Käyttötarkoitus

Tämä laite on tarkoitettu pinttyneen lian puhdistamiseen vesisuihkua käyttämällä. Tämä laite on tarkoitettu kotitalouskäyttöön.

## Virtalähde

Koneen saa kytkeä vain sellaiseen virtalähteeseen, jonka jännite on sama kuin arvokilvessä ilmoitettu, ja sitä saa käyttää ainoastaan yksivaiheisella vaihtovirralla. Laite on kaksinkertaisesti suojaeristetty ja siksi se voidaan kytkeä myös maadoittamattomaan pistorasiaan.

## 220-250 V matalajännitteiset julkiset jakeluverkot

Sähkölaitteiden käynnistys ja sammutus aiheuttavat jännitevaihteluita. Tämän laitteen käyttö epävakaa verkossa saattaa haitata muiden laitteiden toimintaa. Haittavaikutuksia ei ole odotettavissa, jos verkon impedanssi on enintään 0,25 ohmia. Verkkopistokkeessa, johon tämä laite kytketään, on oltava sulake tai hidas vikavirtakatkaisin.

## Melutaso

Tyypillinen A-painotettu melutaso määräytyy standardin EN60335-2-79 mukaan:

### Malli HW1200

Äänenpainetaso ( $L_{pA}$ ): 72 dB (A)

Virhemarginaali (K): 3,8 dB (A)

### Malli HW1300

Äänenpainetaso ( $L_{pA}$ ): 76 dB (A)

Virhemarginaali (K): 2,4 dB (A)

Työskentelyn aikana melutaso voi ylittää 80 dB (A).

**VAROITUS:** Käytä kuulosuojaimia.

## Tärinä

Kokonaistärinä (kolmen akselin vektorien summa) määryytyy standardin EN60335-2-79 mukaan:

### Malli HW1200

Tärinäpäästö ( $a_n$ ): 4,11 m/s<sup>2</sup>  
Virhemarginaali (K): 1,5 m/s<sup>2</sup>

### Malli HW1300

Tärinäpäästö ( $a_n$ ): 4,86 m/s<sup>2</sup>  
Virhemarginaali (K): 1,5 m/s<sup>2</sup>

**HUOMAA:** Ilmoitettu tärinäpäästöarvo on mitattu standarditestausten mukaisesti, ja sen avulla voidaan vertailla työkaluja keskenään.

**HUOMAA:** Ilmoitettua tärinäpäästöarvoa voidaan käyttää myös altistumisen alustavaan arviointiin.

**VAROITUS:** Työkalun käytön aikana mitattu todellinen tärinäpäästöarvo voi poiketa ilmoitetusta tärinäpäästöarvosta työkalun käyttötavan mukaan.

**VAROITUS:** Selvitä käyttäjän suojaamiseksi tarvittavat varoimet todellisissa käyttöolosuhteissa tapahtuvan arvioidun altistumisen mukaisesti (ottaen huomioon käyttöjakso kokonaisuudessaan, myös jaksot, joiden aikana työkalu on sammutettuna tai käy tyhjäkäynnillä).

## EY-vaatimustenmukaisuusvakuutus

### Koskee vain Euroopan maita

EY-vaatimustenmukaisuusvakuutus on liitetty tähän käyttöoppaaseen.

## TURVAVAROITUKSET

**VAROITUS:** Lue huolellisesti kaikki turvallisuusvaroitukset ja käyttöohjeet. Jos varoistusten ja ohjeiden noudattaminen laiminlyödään, seurauksena voi olla sähköisku, tulipalo ja/tai vakava vammautuminen.

## Säilytä varoitukset ja ohjeet tulevaa käyttöä varten.

### Vyöskentelyalueen turvallisuus

1. Pidä sivulliset kaukana työalueelta.
2. Älä ylikurkottele tai seiso epävakaiden kohteiden päällä. Seiso tukevassa asennossa ja säilytä tasapainosi koko työskentelyn ajan.
3. Pidä aina korkeapainepesuri tasaisen ja kestävä pinnan päällä. Vältä paikkoja, missä suihkuvesi voi valua tai muodostaa lammikoita.
4. Tarkasta ympäristö ja puhdistettavat kohteet ennen laitteen käyttöä. Korkeapainepesurit voivat naarmuttaa maalia tai muita käsiteltyjä, kuten myrkyllisiä kemikaaleja sisältäviä pintoja. Noudata tarvittaessa ehkäisytoimenpiteitä.
5. Varo kompastumista korkeapainepesurin johtoon tai letkuun. Huomioi aina johtojen ja letkun sijainti laitteen käytön aikana.
6. Korkeapainepesurin alaosasta voi valua hie-man vettä käytön aikana. Älä käytä korkeapainepesuria paikoissa, joiden et halua kastuvan.

## Henkilöturvallisuus

1. Suojaa itsesi vesisuihkua ja lentäviä kohteita vastaan käyttämällä tarkoitukseen soveltuvaa vaateustusta, suojakäsineitä, visiriillä varustettua kypärää, kuulosuojaimia jne.
2. Älä käytä laitetta sivullisten henkilöiden läsnäollessa, ellei heillä ole suojavaatetusta.
3. Vahinkojen välttämiseksi tarkkaile ympäristöä huolellisesti jos laitetta käytetään lasten läheisyydessä.
4. Kierrätettävä takaisin virtaava vesi määritetään juotavaksi kelpaamattomaksi.

### Sähköturvallisuus

1. Älä koskaan käytä korkeapainepesuria ulkona sateella.
2. Älä koskaan koskettele virtapistoketta ja/tai pistorasiaa märillä käsillä.
3. Älä käytä laitetta, jos sen virtajohto tai muut tärkeät laiteosat ovat vaurioituneet, kuten esim. turvalaitteet, korkeapaineleikut, suihkupistooli.
4. Virtapistokkeen täytyy sopia pistorasiaan. Älä koskaan muuntele virtapistoketta millään tavalla. Älä käytä mitään virtapistokkeen sovitimia maadoitettujen sähkölaitteiden kanssa. Muuntamaton ja sopiva virtapistoke ja pistorasia alentavat sähköiskun vaaraa.
5. Puutteelliset jatkojohdot voivat olla vaarallisia. Käytettäessä jatkojohtoa, sen täytyy soveltua ulko-käyttöön ja liitintä on pidettävä kuivana ja irrallaan maasta. Suosittelemme käyttämään johtokela, sillä se pitää pistorasian vähintään 60 mm maaperän yläpuolella.
6. Ota huomioon seuraavat asiat jatkojohtojen käytön aikana:
  - Käytä ainoastaan ulkokäyttöön soveltuvia jatkojohtoja.
  - Käytä ainoastaan jatkojohtoja, joiden nimellisteho vastaa tai on korkeampi kuin laitteeseen määritelty sähköteho.
  - Älä käytä viallisia jatkojohtoja.
  - Tarkasta jatkojohdot ennen käyttöä ja vaihda vialliset jatkojohdot.
  - Älä käytä jatkojohtoja väärin, äläkä irrota niitä virransyötöstä johdoista repimällä.
  - Suojaa johto kuumuudelta ja teräviltä reunoilta.
  - Irrota jatkojohto aina pistorasiasta ennen laitteen virtapistokkeen irrottamista jatkojohdosta.
7. Virransyötönlitiantä on suoritettava vain pätevän sähköasentajan toimesta IEC 60364-1 standardeja noudattamalla. Suosittelemme, että tämän laitteen virransyötössä käytetään vikavirtalaitetta, joka katkaisee virransyötön maantuvovirtaan ylittäessä 30 mA / 30 ms., tai maavirtapiirin osoittavaa laitetta.

### Sähkökäyttöisen laitteen käyttö ja hoito

1. Lue kaikki ohjeet huolellisesti ennen laitteen käyttöä.
2. Opettele, kuinka korkeapainepesuri sammutetaan ja paineet poistetaan nopeasti. Tutustu laitteen kaikkiin toimintaohjaimiin.
3. Korkeapainepesurit voivat olla vaarallisia vääriin käytettyinä. Suihkua ei saa suunnata suoraan henkilöihin, jännitteellisiin sähkölaitteisiin tai itse laitteeseen.
4. Tämä laite ei ole tarkoitettu sellaisten henkilöiden, esimerkiksi lasten, käytettäväksi, joiden fyysiset, sensoriset tai henkiset kyvyt tai kokemuksen tai tiedon puute estävät heitä käyttämästä laitetta turvallisesti.
5. Lapsia tulee valvoa ja varmistaa, etteivät he pääse leikkimään laitteella.

6. Älä suihkuta herkästi syttyviä ja/tai myrkyllisiä nesteitä. Tämä voi aiheuttaa räjähdyksen, myrkytyksen tai laitevaurion.
7. Älä suuntaa suihkua itseäsi tai sivullisia kohti vaatteiden tai jalkineiden puhdistamista varten.
8. Korkeapaineletkut, liittimet ja kiinnikkeet ovat tärkeitä tekijöitä laiteturvallisuuden varmistamiseksi. Käytä ainoastaan valmistajan suosittelemia letkuja, liittimiä ja kiinnikkeitä.
9. Noudata lisävarusteiden vaihtamista koskevia ohjeita.
10. Pidä kahvat kuivina ja puhtaina öljystä tai rasvasta.
11. Pysytele valppaana, tarkkaile tekemisiäsi.
12. Älä käytä laitetta väsyneenä tai alkoholin tai huumeiden (myös huumaavat lääkkeet) vaikutuksen alaisena.
13. Älä käytä korkeapainepesuria ilman vettä yli yhden minuutin ajan. Muussa tapauksessa voi seurauksena olla moottorivaurio sekä laitteen toimintahäiriöt.
14. Katkaise aina virta ja vedensyöttö jättäessäsi korkeapainepesurin ilman valvontaa.
15. Varo takaiskuja. Suihkupistooli kimmahtaa takaisin, kun korkeapaineinen vesisuihku virtaa suuttimesta ulos. Pidä suihkupistoolista luotettavasti kiinni vahinkojen välttämiseksi.
16. Tarkasta vaurioituneet ja kuluneet osat ennen laitteen käyttöä. Varmista myös, että letku on liitetty oikein ja ettei vuotoja esiinny laitteen käytön aikana. Toiminnallisesti viallisen laitteen käyttö voi aiheuttaa vahinkoja.
17. Tämä laite on suunniteltu käytettäväksi mukana toimitetun tai valmistajan suositteleman pesuaineen kanssa. Muiden pesuaineiden tai kemikaalien käyttö voi vaikuttaa haitallisesti laiteturvallisuuteen.
18. Älä siirrä korkeapainepesuria vetämällä sen johdosta ja/tai letkusta. Tämä voi aiheuttaa johdon, letkun ja liitososien vaurioitumisen, oikosulun tai toiminnallisia häiriöitä.
19. Älä laita raskaita kohteita letkun päälle tai aja ajoneuvolla sen päälle.
20. Poista suihkupistoolista aina jäännöspaine ennen letkun irrottamista.
21. Huomioi paikallisen vesilaitoksen tai vesiyhtiön ohjeet liittäessäsi letkua vedensyöttöön.

#### Huolto

1. Noudata käyttöohjeessa kuvattuja huolto-ohjeita.
2. Laiteturvallisuuden varmistamiseksi käytä aina valmistajan toimittamia alkuperäisiä varaosia tai valmistajan hyväksymiä varaosia.
3. Anna pätevän korjaajan huoltaa korkeapainepesuri vain alkuperäisiä vastaavia varaosia käyttämällä. Tällä varmistetaan korkeapainepesurin käyttöturvallisuuden ylläpitäminen.
4. Jos korkeapainepesurissa on käyttöhäiriö tai vika, sammuta se välittömästi ja irrota virransyötöstä. Ota yhteyttä paikalliseen jälleenmyyjäsi tai huoltoliikkeeseen.

## SÄILYTÄ NÄMÄ OHJEET.

**VAROITUS:** ÄLÄ anna työkalun helppokäyttöisyyden (toistuvan käytön aikaansaama) johtaa sinua väärään turvallisuudentunteeseen niin, että laiminlyöt työkalun turvaohjeiden noudattamisen. **VÄÄRINKÄYTTÖ** tai tässä käyttöohjeessa ilmoitettujen turvamääräysten laiminlyönti voi aiheuttaa vakavia henkilövahinkoja.

## TOIMINTOJEN KUVAUS

**HUOMIO:** Varmista aina ennen koneen säätöjen ja toiminnallisten tarkistusten tekemistä, että kone on sammutettu ja irrotettu pistorasiasta.

### Virtakytkin

**HUOMAUTUS:** Älä käytä virtakytkintä voimakeinoin. Tämä voi aiheuttaa virtakytkimen toimintahäiriön.

#### Malli HW1200

- **Kuva1:** 1. OFF (pois päältä)-asento 2. ON (päällä)-asento

Käännä virtakytkintä myötäpäivään korkeapainepesurin käynnistämiseksi.

#### Malli HW1300

Käännä virtakytkintä myötä- tai vastapäivään painetasosta riippuen. Käännä virtakytkintä myötäpäivään korkeapainetilan kytkemiseksi ja vastapäivään matalapainetilan kytkemiseksi.

- **Kuva2:** 1. Matalapainetila 2. OFF (pois päältä)-asento 3. Korkeapainetila

## Suutintoiminnot

### Säädettävätehoisen suihkusuutin

- **Kuva3**

Suihkupainetta voidaan säätää suutinta kiertämällä.

**HUOMIO:** Suihkupaineen säätämisen aikana, älä kierrä suutinta samalla kun vedät sitä suihkupistoolia kohti. Suutin voi irrota suihkupistoolista ja aiheuttaa henkilövahingon.

### Spiraalisuihkusuutin

- **Kuva4**

Kierteissuihku (spiraali). Soveltuu pinttyneen lian puhdistamiseen.

**HUOMAUTUS:** Älä käytä spiraalisuihkusuutinta helposti särkyvien ja hauraiden pintojen puhdistamiseen, kuten esim. ikkunat tai auton rungot.

### Vahtosuutin

- **Kuva5**

Puhdistusaine suihkutetaan vaahtomuodossa.

## Liipaisinkytkimen toiminnot

Paina liipaisinkytkintä vesisuihkun käynnistämiseksi. Vettä suihkutetaan niin kauan kun liipaisinkytkintä pidetään painettuna.

Liipaisinkytkin voidaan lukita suihkupistooliin turvallisen käsittelyn varmistamiseksi. Lukitse liipaisinkytkin vetämällä pysäytin ulos ja lukitsemalla se kahvan uraan.

- **Kuva6:** 1. Pysäytin 2. Ura

**HUOMAUTUS:** Paineenkytkimen mekaanisen häiriön välttämiseksi, pidä aina kahden sekunnin tauko liipaisinkytkimen käytön välillä.

## Varoventtiili

Tämä laite on varustettu varoventtiilillä kohtuuttoman ylipaineen estämiseksi. Kun liipaisinkytkin vapautetaan, venttiili avautuu ja vesi kiertää pumpun imuaukon kautta.

**⚠HUOMIO:** Älä muuntele tai säädä varoventtiilin asetuksia.

## Letkukela

### Vain malli HW1300

Vedä letku kelalta ottamalla ensin kiinni letkun päästä lukituksesta. Taita kahva ja käännä sitä myötäpäivään. Vedä letku aina täysin kokonaan kelalta korkeapainepesurin käytön aikana.

► **Kuva7:** 1. Letkukela 2. Kahva 3. Letkun pää

Kelaa letku kelalle kääntämällä kahvaa vastapäivään ja kiinnittämällä letkun pää.

► **Kuva8:** 1. Lukitus 2. Kahva

## Veden syöttö säiliöstä / altaasta

### Lisävaruste

Voit syöttää vettä säiliöstä tai altaasta vesihanan sijasta.

Vaihda vesiletkun liitin imuletkusarjaan (lisävaruste). Imuletkusarjan liittäminen aikana, irrota suodatinkotelo letkusta ja liitä se korkeapainepesurin imuaukkoon.

Tämän jälkeen liitä letku suodatinkoteloon.

► **Kuva9:** 1. Säiliö / allas 2. Imuletkusarja  
3. Vesiletkuliitin 4. Letku 5. Suodatinkotelo  
6. Korkeapainepesurin imuaukko

**HUOMAUTUS:** Käytä aina Makitan imuletkusarjaa.

**HUOMAUTUS:** Pidä aina 1,0 m (3,28 ft) tai alhaisempi korkeus korkeapainepesurin imuaukon ja vedenpinnan välillä. Muussa tapauksessa korkeapainepesuri ei kykene imemään vettä pumppuun.

Ime vettä letkuun irrottamalla suutin suihkupistoolista ja käynnistämällä korkeapainepesuri liipaisinkytkimen ollessa painettuna. Kun vettä virtaa tasaisesti suihkupistoolista, vapauta liipaisinkytkin ja kiinnitä haluamaasi käyttötarkoitukseen soveltuva suutin.

► **Kuva10:** 1. Suihkupistooli

**HUOMAA:** Jos vettä ei virtaa suihkupistoolista, irrota imuletkusarja ja upota se veteen. Tämän jälkeen liitä se uudelleen korkeapainepesuriin.

► **Kuva11:** 1. Imuletkusarja

## KOKOONPANO

**⚠HUOMIO:** Varmista aina ennen koneelle tehtäviä toimenpiteitä, että kone on sammutettu ja irrotettu pistorasiasta.

## Kantokahvan asennus

### Vain malli HW1200

1. Liitä kahvan etu- ja takaosat toisinsa kohdistamalla ruuvien reiät korkeapainepesurin runkoon.

► **Kuva12:** 1. Kahvan etuosa 2. Kahvan takaosa  
3. Korkeapainepesurin runko

2. Kiinnitä kantokahva ruuveilla (7 kpl.).

► **Kuva13**

## Korkeapaineletkun liitäntä

### Vain malli HW1200

Liitä korkeapaineletku poistoaukkoon (ruiskumerkintä). Kierrä korkeapaineletkun mutteria myötäpäivään samalla kun kierrät sitä poistoaukon ruuvikierteisiin.

► **Kuva14:** 1. Poistoaukko 2. Mutteri

**⚠HUOMIO:** Varmista, että korkeapaineletku on kiinnitetty luotettavasti paikalleen. Löysä liitäntä voi singota korkeapaineletkun pois paikaltaan aiheuttaen henkilövahinkoja.

## Suihkupistoolin kiinnitys

Liitä korkeapaineletku suihkupistoolin imuaukkoon.

Kierrä korkeapaineletkun mutteria myötäpäivään samalla kun kierrät sitä imuaukon ruuvikierteisiin.

► **Kuva15:** 1. Imuaukko 2. Mutteri

**⚠HUOMIO:** Varmista, että korkeapaineletku on kiinnitetty luotettavasti paikalleen. Löysä liitäntä voi singota korkeapaineletkun pois paikaltaan aiheuttaen henkilövahinkoja.

## Liittäminen vesihanaan

**⚠HUOMIO:** Käytä aina paineenkestävää, halkaisijaltaan vähintään  $\varnothing 13$  mm vesiletkua ja liitä se vesihanaan sopivia liittimiä käyttämällä. Muussa tapauksessa vesiletku ja/tai liitin voi vaurioitua ja aiheuttaa henkilövahingon.

**HUOMAUTUS:** Käytä paineenkestävää, ja niin lyhyttä vesiletkua kuin mahdollista. Imuveden määrän tulisi olla suurempi kuin pumpun maksimisyöttötilavuus.

**HUOMAUTUS:** Jos liität letkun vesijohtoverkkoon, käytä liitännässä paikallisia määräyksiä noudattavaa takaiskuventtiiliä.

Valmistele paineenkestävä vesiletku. Kiinnitä liitäntäholkki vesiletkun toiseen päähän ja liitä toinen pää vesihanaan seuraavalla tavalla.

1. Irrota liitäntäholkkin mutteri ja kierrä paineenkestävä vesiletku mutterin läpi. Liitä letkun toinen pää liitäntäholkkiin ja kiristä mutteri tämän jälkeen.

► **Kuva16:** 1. Paineenkestävä vesiletku  
2. Liitäntäholkkin mutteri 3. Liitäntäholkki

**HUOMAA:** Jos liität paineenkestävän vesiletkun vesihanaan käyttämällä liitäntäholkkia, kiinnitä sen toinen pää letkun toiseen päähän.

2. Liitä paineenkestävä vesiletku vesihanaan. Käytä tarkoitukseen soveltuvaa liittintä, kuten letkusidettä tai hanaliittintä letkun pään lukitsemiseksi vesihanaan.

- **Kuva17:** 1. Letkuside 2. Hanaliitin  
3. Paineenkestävä vesiletku

**HUOMAA:** Liitintä riippuu liitettävän vesihanan muodosta. Valmistele tarkoitukseen soveltuva kaupallinen liitin.

3. Kiinnitä vesiletkun liitin imuaukkoon (vesihana-merkintä) ja tämän jälkeen liitä liitäntäholkki.

- **Kuva18:** 1. Liitäntäholkki 2. Vesiletkuliitin  
3. Imuaukko

## Suuttimen kiinnitys / irrotus

**HUOMIO:** Lukitse aina liipaisinkytkin suuttimen kiinnityksen / irrottamisen aikana.

Liitä suuttimen pää suihkupistoolin uraan ja kierrä sitä nuolen osoittamaan suuntaan kuvan osoittamalla tavalla. Irrota kiertämällä suutinta vastapäiseen suuntaan samalla kun työnät sitä suihkupistoolia kohti.

- **Kuva19:** 1. Suihkupistooli 2. Aukko 3. Suuttimen pää

Jotkut lisävarusteena saatavat suuttimet vaativat liitäntäkappaleen (lisävaruste) käyttöä suihkupistoolin liitäntää varten. Kiinnitä liitäntäkappale suihkupistooliin samalla tavalla kuin suuttimen kiinnityksessä.

- **Kuva20:** 1. Suutin 2. Liitäntäkappale  
3. Suihkupistooli

**HUOMAA:** Liitäntäkappaleita tarvitaan käytettäessä toiseen malliin sisältyviä suuttimia, kuten mallit HW112 tai HW121.

## Vahtosuuttimen liitäntä

**HUOMIO:** Lukitse aina liipaisinkytkin suuttimen kiinnityksen / irrottamisen aikana.

Valmistele pesuaine ennen vahtosuuttimen käyttöä.

1. Irrota suutin säiliöstä kiertämällä suutinta vastapäivään. Kiinnitä suutin suihkupistooliin.

- **Kuva21:** 1. Suutin 2. Suihkupistooli

2. Valuta pesuaine säiliöön ja asenna se suuttimeen.

- **Kuva22:** 1. Säiliö

**HUOMAUTUS:** Käytä aina mietoa pesuainetta. Hapoinen tai alkaalinen pesuaine voi aiheuttaa säiliön tai suuttimen vaurioitumisen.

## TYÖSKENTELY

**VAROITUS:** Älä koskettele vesisuihkua tai suuntaa sitä itseäsi tai sivullisia kohti. Vesisuihku voi olla vaarallinen ja aiheuttaa vahinkoa sinulle ja sivullisille.

**VAROITUS:** Kun suuntaat vesisuihkua, älä koskaan pidä puhdistettavasta kohteesta kiinni käsin, tai aseta käsiäsi tai jalkojasi vesisuihkun läheisyyteen.

**HUOMIO:** Pysy valppaana roiskuvan vesisuihkun ja lentävien kohteiden osalta. Älä suuntaa suutinta 30 cm lähemmäksi kohdetta.

**HUOMIO:** Älä käytä korkeapainepesuria ilman vettä yli yhden minuutin ajan.

**HUOMIO:** Älä käytä korkeapainepesuria pitkiä aikoja kerrallaan. Muussa tapauksessa voi seurauksena olla laitteen ylikuumentuminen tai mahdollinen tulipalo. Pitkäaikainen käyttö voi myös aiheuttaa tärinästä aiheutuvia terveyshaittoja.

**HUOMIO:** Tarkkaile tuulen suuntaa. Jos pesuainetta joutuu silmiisi tai suuhun, huuhtelee ne välittömästi puhtaan veden alla ja ota tarvittaessa yhteys lääkäriin.

**HUOMAUTUS:** Älä käytä korkeapainepesuria yhtäjaksoisesti yli 1 tunnin ajan. Pidä samanpituisen tauko 1 tunnin yhtäjaksoisen työskentelyn jälkeen.

1. Liitä korkeapaineletkun toinen pää suihkupistooliin. Malli HW1200, liitä toinen pää korkeapainepesuriin. Malli HW1300, vedä letku kokonaan kelalta.

2. Liitä korkeapainepesuri vesihanaan ja avaa tämän jälkeen vesihana.

- **Kuva23**

**HUOMAUTUS:** Suojaa korkeapainepesuria vaurioita vastaan käyttämällä alle 40 °C vettä.

3. Liitä korkeapainepesuri virransyöttöön ja käynnistä se.

- **Kuva24:** 1. Virtakytkin

4. Käynnistä vesisuihku vapauttamalla pysäytin ja painamalla liipaisinkytkintä. Vettä suihkutetaan niin kauan kun liipaisinkytkintä pidetään painettuna.

- **Kuva25:** 1. Pysäytin

**HUOMIO:** Pidä suihkupistoolista luotettavasti ja lujasti kiinni. Suihkupistooli ponnahtaa takaisin painaessasi liipaisinkytkintä.

**HUOMIO:** Pidä suihkupistoolin kahvasta ja varresta aina luotettavasti kiinni laitteen käytön aikana. Moottorin ollessa käynnissä, älä kosketele mitään muita korkeapainepesurin osia kuin sen kantokahvaa ja virtakytkintä.

**HUOMAUTUS:** Varo, ettet vedä suihkupistoolia voimakkaasti käytön aikana. Tämä voi aiheuttaa korkeapainepesurin kaatumisen.

## Käytön jälkeen

**HUOMIO:** Käytön jälkeen suorita aina tässä käyttöohjeessa kuvatut toimenpiteet. Suihkupistoolin tai korkeapainepesurin jäännöspaine voi aiheuttaa henkilövahinkoja tai pumpun sisäpuoleen kohdistuvia vaurioita.

1. Anna virtakytkimen olla päällä käytön jälkeen.

2. Sulje vesihana ja irrota vesiletku korkeapainepesurista.

- **Kuva26**



3. Paina liipaisinkytkintä niin kauan, kunnes korkeapainepesurissa jäljelläoleva vesi poistuu täysin laitteesta.

Älä käytä moottoria yli 1 minuutin ajan.

► **Kuva27**

4. Sammuta korkeapainepesuri ja irrota se virransyötöstä.

► **Kuva28:** 1. Virtakytkin

5. Irrota korkeapaineletku suihkupistoolista.

► **Kuva29:** 1. Suihkupistooli 2. Korkeapaineletku

Malli HW1200, irrota myös korkeapaineletku korkeapainepesurista.

► **Kuva30:** 1. Korkeapaineletku

Malli HW1300, kierrä letku kelalle ja kiinnitä letkun toinen pää.

► **Kuva31:** 1. Lukitus 2. Kahva

**HUOMAUTUS:** Estä korkeapaineletkuun kohdistuvat mahdolliset vauriot poistamalla jäljelläoleva vesi ennen letkun asettamista säilytykseen.

## SÄILYTTÄMINEN JA HUOLTO

**▲HUOMIO:** Varmista aina ennen tarkastuksia ja huoltotöitä, että työkalu on sammutettu ja irrotettu virtalähteestä.

**HUOMAUTUS:** Älä koskaan käytä bensiiniä, ohenteita, alkoholia tai tms. aineita. Muutoin pinta voi halkeilla tai sen värit ja muoto voivat muuttua. Muutoin laitteeseen voi tulla värjäytyimiä, muodon vääristymiä tai halkeamia.

### Puhdistus ilman suutinta

Käytä puhdistusneulaa lian poistamiseen tukkeutuneesta suuttimesta.

► **Kuva32:** 1. Puhdistusneula

**HUOMAUTUS:** Älä poista likaa tai jäämiä voimakain. Muussa tapauksessa voi seurauksena olla henkilövahinkoja, tai suihkuaukon muuttuneen suihkukulman tai huonon suorituskyvyn johdosta tapahtuva vahinko.

## Suodattimen puhdistaminen

Irrota vesiletkuliitin, puhdista lika ja jäämät suodattimen sisältä.

► **Kuva33:** 1. Vesiletkuliitin 2. Suodatin  
3. Tiivisterengas

Käytettäessä imuletkusarjaa (lisävaruste), irrota suodatin suodatinkotelosta ja puhdista lika ja jäämät.

► **Kuva34:** 1. Suodatin 2. Suodatinkotelo

**HUOMAA:** Puhdista suodatin säännöllisesti parhaan mahdollisen suorituskyvyn ylläpitämiseksi.

## Säilytys

Kierrä letku ja johto säilytysasentoon. Aseta suihkupistooli ja suuttimet säilytystaskuihin.

**HW1200**

► **Kuva35**

**HW1300**

► **Kuva36**

**▲HUOMIO:** Säilytä laitetta aina sisätiloissa, missä lämpötila on alle jäätympisteen. Jos korkeapainepesuri jäätyy ja siihen tulee käyttöhäiriöitä, ota yhteys paikalliseen huolto liikkeeseen korjausta varten.

**▲HUOMIO:** Käytä korkeapainepesurin kuljettamiseen aina kantokahvaa. Älä kannata laitetta letkusta tai johdosta. Letku tai johto voivat vaurioitua.

**▲HUOMIO:** Älä kuljeta korkeapainepesuria kelalta ulos vedetyistä letkusta ja/tai johdosta. Kelalta vedetty ja suoristettu letku tai johto voivat vaurioitua tai takertua muihin kohteisiin aiheuttaen henkilö- tai omaisuusvahingon.

Tuotteen TURVALLISUUDEN ja LUOTETTAVUUDEN takaamiseksi korjaukset, muut huoltotyöt ja säädöt on teetettävä Makitan valtuutetussa huoltopisteessä Makitan varaosia käyttäen.

# VIANMÄÄRITYS

Tarkista laite ensin itse, ennen kuin viet sen korjattavaksi. Jos ongelmaan ei löydy ratkaisua käyttöoppaasta, älä kuitenkaan yritä purkaa työkalua osiin. Vie ota sen sijaan yhteyttä Makita-huoltoliikkeeseen. Käytä korjaamiseen aina alkuperäisiä Makita-varaosia.

Epänormaali tila	Todennäköinen syy (toimintahäiriö)	Korjaus
Pesuri ei käynnisty.	Ei virransyöttöä	Liitä virtapistoke virransyöttöön. Tarkasta myös, onko pistorasiassa virtaa.
	Kytkintä ei ole kierretty.	Kierrä kytkin päälle.
	Pumpussa on jäännöspainetta	Paina liipaisinkytkintä.
	Virtajohto tai virtapiiri vaurioitunut	Pyydä valtuutettua huoltoliikettä suorittamaan korjaus.
Vesisuihkua ei ole / huono vesisuihku	Vedensyöttöä ei ole	Varmista, että vesihana on auki. Käytettäessä imuletkusarjaa, ime vettä letkuun.
	Huono vedensyöttö	Avaa vesihana.
	Huono vedensyöttöliitäntä	Tarkasta liitäntä vesiletkun, vesihanan ja korkeapainepesurin imuaukon välillä.
	Letku, suodatin tai suutin tukossa	Puhdista tukkeutunut letku, suodatin tai suutin.
	Ilma estää veden virtauksen.	Sammuta virta kytkimellä ja käynnistä uudelleen samalla kun painat liipaisinkytkintä.
	Suutin viallinen tai kulunut	Vaihda suutin.
Epätasainen vesisuihku.	Pumpussa tai venttiilissä toimintahäiriötä	Pyydä valtuutettua huoltoliikettä suorittamaan korjaus.
	Suutin tukossa	Puhdista suuttimen syöttöreikä puhdistusneulaa käyttämällä.
	Huono veden imutoiminto	Tarkasta, onko vesiletkun ja vesihanan välillä vuotoja tai tukoksia. Avaa vesihana.
	Vesi on liian kuumaa.	Syötä kylmempää vettä.
Epänormaali ääni.	Venttiilissä toimintahäiriö	Pyydä valtuutettua huoltoliikettä suorittamaan korjaus.
	Vesi on liian kuumaa.	Syötä kylmempää vettä.
	Pumpussa on ilmaa.	Pyydä valtuutettua huoltoliikettä suorittamaan korjaus.
Vesi- / öljyvuoto.	Huono liitäntä	Tarkasta liitäntä korkeapaineletkun, suihkupistoolin ja korkeapainepesurin välillä.
	Tiivisteet kuluneet	Pyydä valtuutettua huoltoliikettä suorittamaan korjaus.
Pumppu ei käy tasaisesti vaikka moottorin ääni on kuultavissa.	Sopimaton jatkojohto.	Käytä laitteen teknisiin tietoihin soveltuvaa jatkojohtoa.

# LISÄVARUSTEET

**▲HUOMIO:** Seuraavia lisävarusteita tai laitteita suositellaan käytettäväksi tässä ohjeessa kuvatusn Makita-työkalun kanssa. Muiden lisävarusteiden tai laitteiden käyttö voi aiheuttaa henkilövahinkoja. Käytä lisävarusteita ja -laitteita vain niiden käyttötarkoituksen mukaisesti.

Jos tarvitset apua tai yksityiskohtaisempia tietoja seuraavista lisävarusteista, ota yhteys paikalliseen Makitan huoltoon.

**HUOMAA:** Jotkin luettelossa mainitut varusteet voivat sisältyä työkalun toimitukseen vakiovarusteina. Ne voivat vaihdella maittain.

## Suihkusuutin

► Kuva37

Vesisuihkun leveys on säädettävissä 0° - 25° välillä kiertämällä suuttimen etupäätä.

**▲HUOMIO:** Vesisuihkun leveyden säätämisen aikana, älä kierrä suutinta samalla kun vedät sitä suihkupistoolia kohti. Suutin voi irrota suihkupistoolista ja aiheuttaa henkilövahingon.

## Pesuharja (pitkä)

► Kuva38

Suutin on varustettu harjalla. Hyödyllinen lian puhdistamiseen harjaa käyttämällä.

## Imuletkusarja

► Kuva39

Vaihda vesiletku tähän sarjaan veden syöttämiseksi säiliöstä tai altaasta.

## Pyörivä pesuharja

► Kuva40

Kolme sisäpuolista harjaa pyörii hitaasti vesisuihkun aikana. Soveltuu kevyen lian puhdistamiseen ulkoseinistä, auton rungosta, kylpyammeesta jne.

## Jatkoputki

► Kuva41

Suihkupistoolin pidentämiseen tarkoitettut putket. Saatavana kolme eri pituutta käytettävien putkien määrää muuttamalla.

## Suihkusuutin rungon alapuolelle

► Kuva42

Ylimääräinen pitkä suihkuputki kulmasuuttimella. Soveltuu parhaiten vaikeasti käsiteltäville paikoille, kuten auton rungon alle ja räystäskouruille.

**▲HUOMIO:** Älä käytä rungon alapuolelle tarkoitettua suihkusuutinta jatkoputkien kanssa.

## Roiskesuoja

► Kuva43

Estää takaroiskeet puhdistettaessa kulmia spiraalisuihkusuutinta käyttämällä.

## Saranaliitos

► Kuva44

Estää korkeapaineletkun vääntymisen.

## Liitäntäkappale

► Kuva45

Kappale muiden mallien suuttimien liittämiseen.

**HUOMAA:** Liitäntäkappaletta tarvitaan käytettäessä toiseen malliin sisältyviä suuttimia, kuten mallit HW112 tai HW121.

## Putken puhdistussarja (10 m / 15 m)

► Kuva46

Putkistojen ja syöksyputkien puhdistamiseen.

**▲HUOMIO:** Kiinnitä erityistä huomiota vesisuihkun käytettäessä putken puhdistussarjaa. Erittäin voimakas vesisuihku suihkuu taaksepäin.

## Korkeapainejatkoletku (5 m / 8 m / 10 m)

► Kuva47

Jatkoletku liitettäväksi korkeapainepesurin suihkupistooliin.

## BRĪDINĀJUMS

- Ierīces nedrīkst lietot bērni. Bērni ir jāuzrauga, lai nodrošinātu, ka viņi nerotaļājas ar ierīci.
- Šo ierīci nedrīkst lietot cilvēki (tostarp bērni) ar samazinātām fiziskām, maņu vai garīgām spējām vai cilvēki bez pieredzes un zināšanām.
- Šī ierīce ir paredzēta lietošanai ar mazgāšanas līdzekli, ko piegādājis vai ieteicis tās ražotājs. Citu mazgāšanas līdzekļu vai ķīmikāliju lietošana var negatīvi ietekmēt ierīces drošību.
- Nepareizi izmantotas augstspiediena strūklas var nodarīt kaitējumu. Strūklu nedrīkst vērst pret cilvēkiem, iedarbinātām elektroierīcēm vai pašu augstspiediena mazgāšanas ierīci.
- Neizmantojiet ierīci cilvēku klātbūtnē, izņemot gadījumus, kuros cilvēki valkā aizsargapģērbu.
- Nevērsiet strūklu tieši pret sevi vai citiem cilvēkiem, lai nomazgātu apģērbu vai apavus.
- Sprādzienbīstamība — neizsmidziniet ugunsnedrošus šķīdumus.
- Augstspiediena mazgāšanas ierīces nedrīkst lietot bērni vai neapmācīti cilvēki.
- Augstspiediena šļūtenes, stiprinājumi vai savienojumi ir svarīgi ierīces drošībai. Izmantojiet tikai ražotāja ieteiktās šļūtenes, stiprinājumus un savienojumus.
- Lai garantētu ierīces drošību, izmantojiet tikai ražotāja izgatavotās oriģinālās rezerves daļas vai ražotāja ieteiktās rezerves daļas.
- Pirms veicat jebkādas darbības ar instrumentu, vienmēr pārliedzieties, ka tas ir izslēgts un atvienots no elektriskā tīkla.
- Nelietojiet ierīci, ja elektrības padeves vads vai svarīgas ierīces daļas, piem., drošības ierīces, augstspiediena šļūtenes, izsmidzināšanas pistole, ir bojātas.
- Neatbilstoši pagarinātāji var būt bīstami. Izmantojot pagarinātāju, raugieties, lai tas būtu piemērots izmantošanai ārā, un nodrošiniet, lai savienojuma vieta būtu sausa un neatrastos uz zemes. Ieteicams izmantot vada spoli, kur kontaktligzda atrodas vismaz 60 mm virs zemes.

- Atstājot ierīci nepieskatītu, vienmēr izslēdziet elektrības atvienošanas slēdzi.
- Ievērojiet vietējā ūdens piegādes uzņēmuma noteiktās prasības.
- Eiropas valstīm:  
saskaņā ar EN12729 (BA) iekārtu var pievienot arī pie dzeramā ūdens apgādes ūdensvada, ja ūdens pievades šļūtenē ir uzstādīts vārsts atplūdes novēršanai un noteces ierīce.

## SPECIFIKĀCIJAS

Modelis:	HW1200	HW1300
Maksimālais pavedes daudzums	7,0 l/min	7,5 l/min
Ūdens plūsmas ātrums	5,5 l/min	6,0 l/min
Maksimālais pieļaujama spiediens	12 MPa (120 bāri)	13 MPa (130 bāri)
Darba spiediens	Augsta spiediena režīms	10 MPa (100 bāri)
	Zema spiediena režīms	—
Maksimālais pavedes spiediens	1 MPa (10 bāri)	
Maksimālā pavedes temperatūra	40 °C	
Maksimālais iesūkšanas augstums	1,0 m	
Izmēri (G × P × A)	292 mm x 358 mm x 830 mm	
Svars	11,0 kg	12,7 kg
Motora aizsardzība	IPX5	

- Nepārtrauktās izpētes un izstrādes programmas dēļ šeit uzrādītās specifikācijas var tikt mainītas bez brīdinājuma.
- Atkarībā no valsts specifikācijas var atšķirties.
- Svars saskaņā ar EPTA-Procedure 01/2003

## Simboli

Zemāk ir attēloti simboli, kas attiecas uz iekārtu. Pirms darbarīka izmantošanas pārliecinieties, vai pareizi izprotat to nozīmi.



Izlasiet lietošanas rokasgrāmatu.



Esiet īpaši rūpīgs un uzmanīgs.



DIVKĀRŠO IZOLĀCIJA



Tikai ES valstīm  
Neizmetiet elektriskās iekārtas kopā ar maģitūras atkritumiem! Saskaņā ar Eiropas direktīvu par lietotajām elektroiekārtām un elektronikas iekārtām un tās iekļaušanu valsts likumdošanā lietotais elektriskais aprīkojums jāsavāc atsevišķi un jānogādā atreizējai pārstrādei vidi saudzējošā veidā.



Nevērsiet strūklu tieši pret cilvēkiem, tostarp sevi, dzīvniekiem un iedarbinātām elektroierīcēm.



Nav piemērots pievienošanai pie dzeramā ūdens ūdensvada.

## Paredzētā lietošana

Šis darbarīks ir paredzēts grūti notīrāmu netīrumu tīrīšanai ar ūdens strūklu. Šis darbarīks ir paredzēts lietošanai mājāsaimniecībā.

## Barošana

Darbarīks jāpievieno tikai tādām barošanas avotiem, kura spriegums atbilst uz darbarīka tehnisko datu plāksnītes norādītajam, un darbarīku var izmantot tikai ar vienfāzes maiņstrāvas barošanu. Darbarīks aprīkots ar divkāršo izolāciju, tādēļ to var izmantot arī, pievienojot kontaktligzdai bez iezemējuma vada.

## Darbarīks paredzēts barošanai no zemsprieguma elektrības tīkliem ar spriegumu no 220 V līdz 250 V

Pārslēdzot elektroierīces funkcijas, rodas sprieguma svārstības. Šīs ierīces darbināšana neļāvīgīgos elektropadeves apstākļos var pasliktināt citu iekārtu darbību. Ja elektrotīkla pilnā pretestība nepārsniedz 0,25 omus, var uzskatīt, ka negatīvas ietekmes nebūs. Elektrotīkla kontaktligzdai, kurai ir pievienota šī ierīce, jābūt aizsargātai ar drošinātāju vai jaudas slēdzi ar izslēgšanās aizkavi.

## Trokšņa līmenis

Tipiskais A svērtais trokšņa līmenis noteikts saskaņā ar EN60335-2-79:

### Modelis HW1200

Skaņas spiediena līmeni ( $L_{pA}$ ): 72 dB (A)  
Mainīgums (K): 3,8 dB (A)

### Modelis HW1300

Skaņas spiediena līmeni ( $L_{pA}$ ): 76 dB (A)  
Mainīgums (K): 2,4 dB (A)

Darbības laikā trokšņa līmenis var pārsniegt 80 dB (A).

**BRĪDINĀJUMS:** Lietojiet ausu aizsargus.

## Vibrācija

Vibrācijas kopējā vērtība (trīsas vektora summa) noteikta atbilstoši EN60335-2-79:

### Modelis HW1200

Vibrācijas izmete ( $a_h$ ): 4,11 m/s<sup>2</sup>  
Mainīgums (K): 1,5 m/s<sup>2</sup>

### Modelis HW1300

Vibrācijas izmete ( $a_h$ ): 4,86 m/s<sup>2</sup>  
Mainīgums (K): 1,5 m/s<sup>2</sup>

**PIEZĪME:** Paziņotā vibrācijas emisijas vērtība noteikta atbilstoši standarta pārbaudes metodei un to var izmantot, lai salīdzinātu vienu darbarīku ar citu.

**PIEZĪME:** Paziņoto vibrācijas emisijas vērtību arī var izmantot iedarbības sākotnējā novērtējumā.

**BRĪDINĀJUMS:** Reāli lietojot elektrisko darbarīku, vibrācijas emisija var atšķirties no paziņotās emisijas vērtības atkarībā no darbarīka izmantošanas veida.

**BRĪDINĀJUMS:** Lai aizsargātu lietotāju, nosakiet drošības pasākumus, kas pamatoti ar iedarbību reālos darba apstākļos (ņemot vērā visus ekspluatācijas cikla posmus, piemēram, laiku, kamēr darbarīks ir izslēgts un kad darbojas tukšgaitā, kā arī palaides laiku).

## EK atbilstības deklarācija

### Tikai Eiropas valstīm

EK atbilstības deklarācija šajā lietošanas rokasgrāmatā ir iekļauta kā A pielikums.

## DROŠĪBAS BRĪDINĀJUMI

**BRĪDINĀJUMS:** Izlasiet visus drošības brīdinājumus un visus norādījumus. Brīdinājumu un norādījumu neievērošanas gadījumā var rasties elektriskās strāvas trieciens, ugunsgrēks un/vai nopietnas traumas.

## Glabājiet visus brīdinājumus un norādījumus, lai varētu tajos ieskatīties turpmāk.

### Drošība darba zonā

1. **Raugieties, lai darba zonā nebūtu cilvēku.**
2. **Nesniedzieties pārāk tālu un nestāviet uz nestabilas pamatnes. Vienmēr stingri stāviet uz piemērota pamata un saglabājiet līdzsvaru.**
3. **Augstspiediena mazgāšanas ierīces korpusu vienmēr novietojiet uz līdzenas un stabilas virsmas. Nenovietojiet to vietā, kur varētu tecēt vai uzkrāties izšļāktais ūdens.**
4. **Pirms mazgāšanas pārbaudiet apkārtni un tīrāmos priekšmetus. Augstspiediena strūklā var noskrāpēt krāsu vai citus virsmas apdares elementus, tostarp toksiskas ķīmikālijas. Vajadzības gadījumā veiciet profilaktiskus pasākumus.**
5. **Strādājot uzmanieties, lai nepakluptu aiz augstspiediena mazgāšanas ierīces vada vai augstspiediena šļūtenes. Strādājot vienmēr paturiet prātā vada un šļūtenes montāžu.**
6. **Lietošanas laikā no augstspiediena mazgāšanas ierīces apakšdaļas iztecēs nedaudz ūdens. Nenovietojiet augstspiediena mazgāšanas ierīci vietās, kuras nevēlaties samitrināt.**

### Personiskā drošība

1. **Lai aizsargātu sevi un priekšmetus no strūklas iedarbības, lietotājiem jāvalkā piemērots apģērbs, piemēram, aizsargapavi, aizsargcimdi, aizsargķiveres ar sejas aizsegu, dzirdes aizsardzības līdzekļi utt.**
2. **Neizmantojiet augstspiediena mazgāšanas ierīci cilvēku klātbūtnē, izņemot gadījumus, kuros cilvēki valkā aizsargapģērbus.**
3. **Lietojot ierīci bērnu tuvumā, lai samazinātu miesas bojājumu risku, viņi ir stingri jāuzrauga.**
4. **Ūdens, kas izplūdis caur pretvārstu, nav dzerams.**

### Elektrodrošība

1. **Nekādā gadījumā neizmantojiet augstspiediena mazgāšanas ierīci ārpus telpām liet.**
2. **Nekādā gadījumā nepieskarieties elektrības spraudnim un/vai kontaktlīdzgai ar mitrām rokām.**
3. **Nelietojiet ierīci, ja elektrības padeves vads vai svarīgas ierīces daļas, piem., drošības ierīces, augstspiediena šļūtenes vai izsmidzināšanas pistole, ir bojātas.**
4. **Spraudnim ir jāatbilst kontaktlīdzgai. Nekādā gadījumā nepārveidojiet spraudni. Neizmantojiet pārejas spraudņus ar iezemētiem darbarīkiem. Nepārveidoti spraudņi un atbilstošas kontaktlīdzgas samazinās elektriskās strāvas trieciena risku.**
5. **Neatbilstoši pagarinātāji var būt bīstami. Izmantojot pagarinātāju, raugieties, lai tas būtu piemērots izmantošanai ārā, un nodrošiniet, lai savienojuma vieta būtu sausa un neatrastos uz zemes. Ieteicams izmantot vada spoli, kur kontaktlīdzga atrodas vismaz 60 mm virs zemes.**

6. Izmantojot pagarinātājus, ievērojiet šādus norādījumus:
  - Izmantojiet tikai tādus pagarinātājus, kas paredzēti lietošanai ārpus telpām.
  - Izmantojiet pagarinātājus, kuru nominālā elektriskā jauda ir vienāda ar vai lielāka par ierīces nominālo jaudu.
  - Nelietojiet bojātus pagarinātājus.
  - Pirms lietošanas pārbaudiet pagarinātāja un, ja tie ir bojāti, nomainiet tos.
  - Lietojiet pagarinātājus pareizi un, lai tos atvienotu, neraujiet aiz vada.
  - Sargājiet vadus no siltuma avotiem un asām malām.
  - Pirms ierīces atvienošanas no pagarinātāja vienmēr atvienojiet pagarinātāju no sienas kontakta.
7. Elektrības padeves savienojums jāizveido kvalificētam elektriķim atbilstoši standartam IEC 60364-1. Šis ierīces elektrības padeves sistēmā būtu jāiekļauj vai nu paliekošās strāvas ierīce, kas pārtrauks strāvas padevi, ja noplūdes strāva uz zemi 30 ms pārsniegs 30 mA, vai ierīce, kas uzraudzīs īsslēgumu ar zemi.

#### Mehānizētā darbarīka lietošana un apkope

1. Pirms ierīces lietošanas izlasiet visus norādījumus.
2. Izprotiet, kā ātri apturēt augstspiediena mazgāšanas ierīces darbību un samazināt spiedienu. Rūpīgi izpētiet vadības pogu lietošanu.
3. Nepareizi izmantotas augstspiediena strūklas var nodarīt kaitējumu. Strūklu nedrīkst vērst pret cilvēkiem, iedarbinātām elektroierīcēm vai pašu augstspiediena mazgāšanas ierīci.
4. Šo ierīci nedrīkst lietot cilvēki (tostarp bērni) ar samazinātām fiziskām, maņu vai garīgām spējām vai cilvēki bez pieredzes un zināšanām.
5. Bērni ir jāuzrauga, lai nepieļautu, ka viņi rotālājas ar ierīci.
6. Neizsmidziniet ugunsnedrošus un/vai toksiskus šķīdumus. Tā var izraisīt sprādzienu, saindēšanos vai sabojāt ierīci.
7. Nevērsiet strūklu tieši pret sevi vai citiem cilvēkiem, lai nomazgātu apģērbu vai apavus.
8. Augstspiediena šļūtenes, stiprinājumi vai savienojumi ir svarīgi ierīces drošībai. Izmantojiet tikai ražotāja ieteiktās šļūtenes, stiprinājumus un savienojumus.
9. Mainot piederumus, ievērojiet norādījumus.
10. Uzturiet rokturus sausus un tīrus, raugieties, lai uz tiem nebūtu eļļas vai smērvielu.
11. Esiet modri — strādājiet uzmanīgi.
12. Nelietojiet ierīci, ja esat noguris vai atrodoties alkohola vai narkotisku vielu ietekmē.
13. Nedarbiniet augstspiediena mazgāšanas ierīci bez ūdens ilgāk par minūti. Tā sabojāsiet motoru, izraisot darbības traucējumus.
14. Atstājot augstspiediena mazgāšanas ierīci nepieskatītu, vienmēr izslēdziet elektrības un ūdens padevi.

15. Uzmanieties no atsitiena. Augstspiediena strūklai izšļācoties no sprauslas, izsmidzināšanas pistole rada atsitieni. Lai novērstu nejašu savainošanos, turiet izsmidzināšanas pistoli stingri.
16. Pirms lietošanas pārbaudiet, vai ierīces daļas nav bojātas vai nodilušas. Tāpat pārliecinieties, ka šļūtene ir pievienota pareizi un ka darbības laikā nav noplūžu. Lietojot ierīci ar funkcionāliem bojājumiem, var izraisīt negadījumu.
17. Šī ierīce ir paredzēta lietošanai ar mazgāšanas līdzekli, ko piegādājis vai ieteicis tās ražotājs. Citu mazgāšanas līdzekļu vai ķīmikāliju lietošana var negatīvi ietekmēt ierīces drošību.
18. Nekādā gadījumā nevelciet vadu un/vai šļūteni, lai pārvietotu augstspiediena mazgāšanas ierīces korpusu. Tā sabojāsiet vadu, šļūteni un savienojumus un izraisīsiet īsslēgumu vai darbības traucējumus.
19. Nenovietojiet uz šļūtenes smagus priekšmetus un nebrauciet tai pāri ar transportlīdzekļiem.
20. Pirms šļūtenes atvienošanas vienmēr izlaidiet izsmidzināšanas pistolē palikušo spiedienu.
21. Pievienojot šļūteni ūdensvadam, ievērojiet vietējā ūdensapgādes uzņēmuma norādījumus.

#### Apkope

1. Ievērojiet rokasgrāmatā izklāstītos apkopes norādījumus.
2. Lai garantētu ierīces drošību, izmantojiet tikai ražotāja izgatavotās oriģinālās rezerves daļas vai ražotāja ieteiktās rezerves daļas.
3. Uzticiet augstspiediena mazgāšanas ierīces apkopi kvalificētam speciālistam, izmantojiet tikai identiskas rezerves daļas. Tādējādi augstspiediena mazgāšanas ierīces drošības pakāpe nesamazināsies.
4. Augstspiediena mazgāšanas ierīces bojājuma vai darbības traucējuma gadījumā nekavējoties to izslēdziet un atvienojiet elektrības spraudni. Sazinieties ar vietējo izplatītāju vai apkopes centru.

## SAGLABĀJIET ŠOS NORĀDĪJUMUS.

**▲BRĪDINĀJUMS:** NEPIEĻAUJIET to, ka labu iemaņu vai izstrādājuma labas pārzināšanas (darbarīku atkārtoti ekspluatējot) rezultātā vairs stingri neievērojāt šī izstrādājuma drošības noteikumus.

NEPAREIZI LIETOJOT darbarīku vai neievērojot šajā instrukciju rokasgrāmatā minētos drošības noteikumus, var tikt gūtas smagas traumas.

# FUNKCIJU APRAKSTS

**⚠UZMANĪBU:** Pirms regulējat vai pārbaudāt darbarīka darbību, vienmēr pārliecinieties, ka darbarīks ir izslēgts un atvienots no barošanas.

## Ieslēgšanas slēdzis

**IEVĒRĪBAI:** Negrieziet ieslēgšanas slēdzi ar spēku. Tādējādi var izraisīt slēdža nepareizu darbību.

### Modelim HW1200

► **Att.1:** 1. OFF (IZSLĒGTS) 2. ON (IESLĒGTS)

Lai ieslēgtu augstspiediena mazgāšanas ierīci, pagrieziet ieslēgšanas slēdzi pulksteņrādītāja kustības virzienā.

### Modelim HW1300

Atkarībā no spiediena līmeņa grieziet ieslēgšanas slēdzi pulksteņrādītāja kustības virzienā vai pretēji pulksteņrādītāja kustības virzienam. Grieziet ieslēgšanas slēdzi pulksteņrādītāja kustības virzienā, lai strādātu augsta spiediena režīmā, bet pretēji pulksteņrādītāja kustības virzienam, lai strādātu zema spiediena režīmā.

► **Att.2:** 1. Zema spiediena režīms 2. OFF (IZSLĒGTS) 3. Augsta spiediena režīms

## Sprauslas funkcijas

### Regulējams izsmidzināšanas uzgalis

► **Att.3**

Griežot sprauslu, var iestatīt strūkļas spiedienu.

**⚠UZMANĪBU:** Iestatot strūkļas spiedienu un griežot sprauslu, nevelciet to pret izsmidzināšanas pistoli. Sprausla var atdalīties no izsmidzināšanas pistoles un radīt miesas bojājumus.

### Netīrumu strūkļas iekārta

► **Att.4**

Izšļācas spirālveida strūkļa. Piemērota grūti notīrāmu netīrumu tīrīšanai.

**IEVĒRĪBAI:** Neizmantojiet netīrumu strūkļas iekārtu trauslu virsmu, piemēram, logu vai automobiļu korpusu, tīrīšanai.

### Putu sprausla

► **Att.5**

Var izsmidzināt mazgāšanas līdzekļa putas.

## Izsmidzināšanas pistoles darbība

Lai izšļāktu ūdens strūkļu, pavelciet mēlīti. Ūdens strūkļa šļāksies, kamēr mēlīte būs nospiesta. Lai droši lietotu izsmidzināšanas pistoli, mēlīti var bloķēt. Lai bloķētu mēlīti, izvelciet aizturi un iekāļējiet to ruktura rievā.

► **Att.6:** 1. Aizturis 2. Rieva

**IEVĒRĪBAI:** Lai novērstu spiediena slēdža mehānisku kļūmi, darbinot mēlīti, vienmēr ievērojiet divu sekunžu intervālu.

## Drošības vārsts

Šai ierīcei ir drošības vārsts, kas novērš lieku pārspiedienu. Pēc mēlītes atbrīvošanas vārsts atveras un notiek ūdens recirkulācija caur sūkņa ieeju.

**⚠UZMANĪBU:** Nemēģiniet pārveidot vai pielāgot drošības vārsta iestatījumu.

## Šļūtenes spole

### Tikai modelim HW1300

Lai notītu šļūteni no spoles, vispirms noņemiet šļūtenes galu no fiksatora. Atlokiet rokturi un grieziet to pulksteņrādītāja kustības virzienā. Strādājot ar augstspiediena mazgāšanas ierīci, vienmēr notīniet visu šļūteni līdz galam.

► **Att.7:** 1. Šļūtenes spole 2. Rokturis 3. Šļūtenes gals

Novietojot šļūteni uz spoles, grieziet rokturi pretēji pulksteņrādītāja kustības virzienam un nostipriniet šļūtenes galu.

► **Att.8:** 1. Fiksators 2. Rokturis

## Ūdens padeve no tvertnes/tilpnes

### Papildu piederumi

Ūdens padevi varat nodrošināt ne vien no ūdensvada krāna, bet arī no tvertnes vai tilpnes.

Ūdens šļūtenes savienotāju nomainiet pret iesūkšanas šļūtenes komplektu (papildpiederums). Pievienojot iesūkšanas šļūtenes komplektu, filtra korpusu atvienojiet no šļūtenes un pievienojiet to augstspiediena mazgāšanas ierīces ieejai. Pēc tam pievienojiet cauruli filtra korpusam.

► **Att.9:** 1. Tvertne/tilpne 2. Iesūkšanas šļūtenes komplekts 3. Ūdens šļūtenes savienotājs 4. Šļūtene 5. Filtra korpus 6. Augstspiediena mazgāšanas ierīces ieeja

**IEVĒRĪBAI:** Vienmēr izmantojiet Makita iesūkšanas šļūtenes komplektu.

**IEVĒRĪBAI:** Raugieties, lai augstspiediena mazgāšanas ierīces ieejas augstums attiecībā pret ūdens virsmu vienmēr būtu 1,0 m (3,28 pēdas) vai mazāks. Pretējā gadījumā augstspiediena mazgāšanas ierīce nespēs uzskūnēt ūdeni līdz sūknim.

Lai iesūkņētu ūdeni šļūtenē, noņemiet izsmidzināšanas pistoles sprauslu un, spiežot mēlīti, ieslēdziet augstspiediena mazgāšanas ierīci. Tiklīdz no izsmidzināšanas pistoles izšļācas liels ūdens daudzums, atbrīvojiet mēlīti un pievienojiet vajadzīgo sprauslu.

► **Att.10:** 1. Izsmidzināšanas pistole

**PIEZĪME:** Ja ūdens neizšļācas, atvienojiet iesūkšanas šļūtenes komplektu un iegremdējiet to ūdenī. Pēc tam atkal pievienojiet to augstspiediena mazgāšanas ierīcei.

► **Att.11:** 1. Iesūkšanas šļūtenes komplekts



# MONTĀŽA

**⚠UZMANĪBU:** Vienmēr pārlicinieties, ka darbarīks ir izslēgts un atvienots no barošanas, pirms veicat jebkādas darbības ar darbarīku.

## Pārnēsāšanas roktura montāža

*Tikai modelim HW1200*

1. Savienojiet roktura abas puses, savietojot skrūvju atveres uz augstspiediena mazgāšanas ierīces korpusa.  
▶ **Att.12:** 1. Roktura priekšpuse 2. Roktura aizmugure 3. Augstspiediena mazgāšanas ierīces korpus
2. Fiksējiet pārnēsāšanas rokturi ar skrūvēm (7 gab.).  
▶ **Att.13**

## Augstspiediena šļūtenes pievienošana

*Tikai modelim HW1200*

Pievienojiet augstspiediena šļūteni ligzdai (ar pistoles apzīmējumu). Pagrieziet augstspiediena šļūtenes uzgriezni pulksteņrādītāja kustības virzienā, lai uzskrūvētu to uz ligzdas skrūves vītnes.  
▶ **Att.14:** 1. Ligzda 2. Uzgrieznis

**⚠UZMANĪBU:** Pārlicinieties, ka augstspiediena šļūtene ir stingri pievienota. Valīgs savienojums var noraut šļūteni, nodarot miesas bojājumus.

## Izsmidzināšanas pistoles pievienošana

Pievienojiet augstspiediena šļūteni izsmidzināšanas pistoles ieejai. Pagrieziet augstspiediena šļūtenes uzgriezni pulksteņrādītāja kustības virzienā, lai uzskrūvētu to uz ieejas skrūves vītnes.  
▶ **Att.15:** 1. Ieeja 2. Uzgrieznis

**⚠UZMANĪBU:** Pārlicinieties, ka augstspiediena šļūtene ir stingri pievienota. Valīgs savienojums var noraut šļūteni, nodarot miesas bojājumus.

## Pievienošana ūdensvada krānam

**⚠UZMANĪBU:** Vienmēr izmantojiet spiedienizturīgu ūdens šļūteni, kuras diametrs ir  $\varnothing 13$  mm vai lielāks, un pievienojiet to ūdensvada krānam ar piemērotiem stiprinājumiem. Pretējā gadījumā ūdens šļūtene un/vai stiprinājums var plīst un radīt miesas bojājumus.

**IEVĒRĪBA!** Spiedienizturīgajai ūdens šļūtenei jābūt pēc iespējas īsākai. Iesūkņētā ūdens daudzumam jābūt lielākam par sūkņa maksimālo padeves daudzumu.

**IEVĒRĪBA!** Pievienojot šļūteni dzeramā ūdens vadam, izmantojiet pretvārstu, kas atbilst jūsu reģionā piemērojamiem noteikumiem.

Sagatavojiet spiedienizturīgu ūdens šļūteni. Vienā galā uzmauciet savienojuma uznavu un otru galu pievienojiet ūdensvada krānam, ievērojot norādījumus.

1. Noņemiet savienojuma uznavas uzgriezni un izvelciet spiedienizturīgo ūdens šļūteni caur uzgriezni. Šļūtenes galu ievietojiet savienojuma uznavā un pievelciet uzgriezni.  
▶ **Att.16:** 1. Spiedienizturīga ūdens šļūtene 2. Savienojuma uznavas uzgrieznis 3. Savienojuma uznava

**PIEZĪME:** Ja spiedienizturīgo ūdens šļūteni ūdensvada krānam pievienojat ar savienojuma uznavu, uzmauciet vienu uznavu vienā, bet otru - otrā šļūtenes galā.

2. Pievienojiet spiedienizturīgo ūdens šļūteni ūdensvada krānam. Lai šļūtenes galu fiksētu pie ūdensvada krāna, izmantojiet piemērotu stiprinājumu, piemēram, šļūtenes saiti vai ūdenskrāna savienojumu.  
▶ **Att.17:** 1. Šļūtenes saite 2. Ūdenskrāna savienojums 3. Spiedienizturīga ūdens šļūtene

**PIEZĪME:** Stiprinājums jāizvēlas atbilstoši pievienojamā ūdensvada krāna formai. Sagatavojiet piemērotu veikalā iegādātu stiprinājumu.

3. Pievienojiet ūdens šļūtenes savienotāju ieejai (ar krāna apzīmējumu) un pēc tam ievietojiet savienojuma uznavu.  
▶ **Att.18:** 1. Savienojuma uznavma 2. Ūdens šļūtenes savienotājs 3. Ieeja

## Sprauslas pievienošana/atvienošana

**⚠UZMANĪBU:** Pievienojot/atvienojot sprauslu, vienmēr bloķējiet mēlīti.

- Ievietojiet sprauslas galu izsmidzināšanas pistoles atverē un pagrieziet to bultas virzienā, kā parādīts attēlā. Lai atvienotu, pagrieziet sprauslu pretējā virzienā, vienlaikus spiežot to pret izsmidzināšanas pistoli.  
▶ **Att.19:** 1. Izsmidzināšanas pistole 2. Atvere 3. Sprauslas gals

Dažām papildu sprauslām ir vajadzīgs savienotājs (papildpiederums) pievienošanai pie izsmidzināšanas pistoles. Savienotāju pie izsmidzināšanas pistoles pievienojiet tāpat kā sprauslu.

- ▶ **Att.20:** 1. Sprausla 2. Savienotājs 3. Izsmidzināšanas pistole

**PIEZĪME:** Savienotājs ir vajadzīgs, izmantojot cita modeļa sprauslas, HW112 vai HW121.

## Putu sprauslas pievienošana

**⚠UZMANĪBU:** Pievienojot/atvienojot sprauslu, vienmēr bloķējiet mēlīti.

Pirms putu sprauslas izmantošanas sagatavojiet mazgāšanas līdzekli.

1. Noņemiet sprauslu no tvertnes, griežot sprauslu pretēji pulksteņrādītāja kustības virzienam. Pievienojiet sprauslu pie izsmidzināšanas pistoles.

► **Att.21:** 1. Sprausla 2. Izsmidzināšanas pistole

2. Ielejiet mazgāšanas līdzekli tvertnē un pievienojiet to pie uzgaļa.

► **Att.22:** 1. Tvertne

**IEVĒRĪBAI:** Vienmēr izmantojiet neitrālu mazgāšanas līdzekli. Mazgāšanas līdzekļi, kas satur skābi vai sārmu, var sabojāt tvertni vai sprauslu.

## EKSPLUATĀCIJA

**⚠BRĪDINĀJUMS:** Nepieskarieties ūdens strūklai un nevērsiet to tieši pret sevi vai citiem. Ūdens strūkla ir bīstama un var ievainot jūs un citus cilvēkus.

**⚠BRĪDINĀJUMS:** Izšācot ūdens strūklū, nekādā gadījumā neturiet tīrāmo priekšmetu rokās un neturiet plaukstu vai pēdas pie ūdens strūklas.

**⚠UZMANĪBU:** Uzmanieties no ūdens strūklas radītā atsitienu un aizpūstiem priekšmetiem. Neturiet sprauslu tuvāk par 30 cm.

**⚠UZMANĪBU:** Nedarbiniet augstspiediena mazgāšanas ierīci bez ūdens ilgāk par 1 minūti.

**⚠UZMANĪBU:** Nedarbiniet augstspiediena mazgāšanas ierīci pārmērīgi ilgi. Tas var izraisīt ierīces pārkaršanu vai aizdegšanos. Ilgstoša lietošana var izraisīt arī vibrācijas radītus traucējumus.

**⚠UZMANĪBU:** Ņemiet vērā vēja virzienu. Ja mazgāšanas līdzeklis iekļuvis acīs vai mutē, nekavējoties izskalojiet to ar tīru ūdeni un vajadzības gadījumā vērsieties pie ārsta.

**IEVĒRĪBAI:** Nedarbiniet augstspiediena mazgāšanas ierīci ilgāk par 1 stundu. Pēc 1 stundu ilgās darbināšanas nodrošiniet tīkpat ilgu pārtraukumu.

1. Pievienojiet augstspiediena šļūtenes galu pie izsmidzināšanas pistoles. Modelim HW1200 otru galu pievienojiet pie augstspiediena mazgāšanas ierīces. Modelim HW1300 notīniet visu šļūteni līdz galam.

2. Pievienojiet augstspiediena mazgāšanas ierīci ūdensvada spiediena krānam un atveriet krānu.

► **Att.23**

**IEVĒRĪBAI:** Lai aizsargātu augstspiediena mazgāšanas ierīces mehānismu, raugieties, lai ūdens temperatūra nebūtu augstāka par 40 °C.

3. Pievienojiet augstspiediena mazgāšanas ierīci elektrotīklam un ieslēdziet to.

► **Att.24:** 1. Ieslēgšanas slēdzis

4. Lai izšāktu ūdens strūklū, atbloķējiet aizturi un nospiediet mēlīti. Ūdens strūkla šļāksies, kamēr mēlīte būs nospiesta.

► **Att.25:** 1. Aizturis

**⚠UZMANĪBU:** Stingri turiet mēlīti. Pavelkot mēlīti, izsmidzināšanas pistole rada atsitienu.

**⚠UZMANĪBU:** Mazgājot vienmēr turiet izsmidzināšanas pistoles rokturi un korpusu. Kamēr motors darbojas, nepieskarieties augstspiediena mazgāšanas ierīces korpusa daļām, izņemot pārnesāšanas rokturi un ieslēgšanas slēdzi.

**IEVĒRĪBAI:** Strādājot spēcīgi neraustiet izsmidzināšanas pistoli. Tādējādi augstspiediena mazgāšanas ierīce var apgāzties.

## Pēc darba

**⚠UZMANĪBU:** Pēc darba vienmēr izpildiet šajā rokasgrāmatā aprakstītās darbības. Izsmidzināšanas pistolē vai augstspiediena mazgāšanas ierīcē palikušais spiediens var izraisīt miesas bojājumus vai sabojāt iekšējo sūkni.

1. Pēc darba neizslēdziet ieslēgšanas slēdzi.

2. Aizveriet ūdensvada krānu un atvienojiet ūdens šļūteni no augstspiediena mazgāšanas ierīces.

► **Att.26**

3. Spiediet mēlīti, līdz augstspiediena mazgāšanas ierīcē atlikušais ūdens ir iztecējis.

Nedarbiniet motoru ilgāk par 1 minūti.

► **Att.27**

4. Izslēdziet augstspiediena mazgāšanas ierīci un atvienojiet to no elektrotīkla.

► **Att.28:** 1. Ieslēgšanas slēdzis

5. Atvienojiet augstspiediena šļūteni no izsmidzināšanas pistoles.

► **Att.29:** 1. Izsmidzināšanas pistole 2. Augsta spiediena šļūtene

Modelim HW1200 atvienojiet ūdens šļūteni no augstspiediena mazgāšanas ierīces.

► **Att.30:** 1. Augstspiediena šļūtene

Modelim HW1300 uzitīniet šļūteni uz spoles un nostipriniet šļūtenes galu.

► **Att.31:** 1. Fiksators 2. Rokturis

**IEVĒRĪBAI:** Lai novērstu augstspiediena šļūtenes bojājumu, pirms novietošanas glabāšanai no šļūtenes iztukšojiet atlikušo ūdeni.

# APKOPE UN GLABĀŠANA

**UZMANĪBU:** Pirms veikt pārbaudi vai apkopi, vienmēr pārliecinieties, ka darbarīks ir izslēgts un atvienots no barošanas.

**IEVĒRĪBAI:** Nekad neizmantojiet gazolinu, benzīnu, atšķaidītāju, spirtu vai līdzīgus šķidrumus. Tas var radīt izbalēšanu, deformāciju vai plaisas.

## Sprauslas tīršana

Lai iztīrītu netīrumus vai sprauslas aizsērējumus, izmantojiet tīršanas adatu.

► **Att.32:** 1. Tīršanas adata

**IEVĒRĪBAI:** Nefīriet netīrumus vai grūzus ar spēku. Tā varat savainoties vai sabojāt izšļākšanas atveri, tādējādi radot izsmidzināšanas leņķa novirzes vai darbības traucējumus.

## Filtra tīršana

Atvienojiet ūdens šļūtenes savienotāju un iztīriet no filtra netīrumus un grūzus.

► **Att.33:** 1. Ūdens šļūtenes savienotājs 2. Filtrs 3. Blīvgredzens

Izmantojot iesūkšanas šļūtenes komplektu (papildpiederums), izņemiet filtru no filtra korpusa un iztīriet netīrumus un grūzus.

► **Att.34:** 1. Filtrs 2. Filtra korpus

**PIEZĪME:** Lai uzturētu optimālu veiktspēju, regulāri tīriet filtru.

## Glabāšana

Uztiniet šļūteni un vadu. Izsmidzināšanas pistoli un uzgaļus ievietojiet kabatās.

**HW1200**

► **Att.35**

**HW1300**

► **Att.36**

**UZMANĪBU:** Vienmēr glabājiet ierīci telpās, kur temperatūra nepazeminās līdz sasaldšanas temperatūrai. Ja augstspiediena mazgāšanas ierīce sasalst un darbojas nepareizi, sazinieties ar vietējo apkopes centru, lai veiktu remontu.

**UZMANĪBU:** Pārvietojot augstspiediena mazgāšanas ierīci, vienmēr izmantojiet pārnēsāšanas rokturi. Nevelciet to aiz šļūtenes vai vada. Tā var sabojāt šļūteni vai vadu.

**UZMANĪBU:** Nepārvietojiet augstspiediena mazgāšanas ierīci, ja šļūtene un/vai vads nav uztīti. Tādējādi var sabojāt izvilko šļūteni vai vadu vai tie var aizķerties aiz citiem priekšmetiem, izraisot miesas bojājumus vai ierīces bojājumus.

Lai saglabātu izstrādājuma DROŠU un UZTICAMU darbību, remontdarbus, apkopi un regulēšanu uzticiet veikt tikai Makita pilnvarotam vai rūpnīcas apkopes centram, un vienmēr izmantojiet tikai Makita rezerves daļas.

# PROBLĒMU NOVĒRŠANA

Pirms nodošanas remontā vispirms veiciet pārbaudi pats. Ja konstatējat kļūmi, kas nav aprakstīta rokasgrāmatā, nemēģiniet darbarīku izjaukt. Dodieties uz Makita pilnvarotu apkopes centru un remontam vienmēr izmantojiet tikai Makita rezerves daļas.

Neatbilstošas darbības stāvoklis	Iespējamais iemesls (kļūme)	Risinājums
Mazgāšanas ierīci nevar iedarbināt.	Nav elektrības	Pievienojiet spraudni elektrības tīklam. Tāpat pārbaudiet, vai elektrības tīklā ir elektrības padeve.
	Slēdzis nav ieslēgts.	Ieslēdziet slēdzi.
	Sūknī palicis spiediens	Pavelciet mēlīti.
	Bojāts vads vai elektriskā ķēde	Vērsieties pilnvarotā apkopes centrā, lai veiktu remontu.
Nav ūdens strūkļa / ūdens strūkļa ir vāja	Nav ūdens padeves	Pārbaudiet, vai ūdensvada krāns ir atvērts. Izmantojot iesūkšanas šļūteni, ievadiet ūdeni šļūtenē.
	Vāja ūdens padeve	Atgrieziet ūdensvada krānu.
	Slikti pievienota ūdens šļūtene	Pārbaudiet ūdens šļūtenes un ūdensvada krāna, kā arī augstspiediena mazgāšanas ierīces ieejas savienojumu.
	Aizsērējusi šļūtene, filtrs vai sprausla	Iztīriet šļūteni, filtru vai sprauslu.
	Gaiss bloķē ūdens plūsmu.	Izslēdziet un pēc tam atkal ieslēdziet slēdzi, vienlaikus spiežot mēlīti.
	Bojāta vai nodilusi sprausla	Nomainiet sprauslu.
	Sūkņa vai vārsta darbības traucējums	Vērsieties pilnvarotā apkopes centrā, lai veiktu remontu.
Nevienmērīga ūdens strūkļa.	Aizsērējusi sprausla	Izmantojot tīrīšanas adatu, iztīriet sprauslas izšļāšanās atveri.
	Vāja ūdens sūkšana	Sākot no ūdensvada krāna, pārbaudiet, vai ūdens šļūtenei nav sūču vai aizsērējumu. Atgrieziet ūdensvada krānu.
	Ūdens ir pārāk karsts.	Noregulējiet vēsāku ūdeni.
	Vārsta darbības traucējums	Vērsieties pilnvarotā apkopes centrā, lai veiktu remontu.
Netipiska skaņa.	Ūdens ir pārāk karsts.	Noregulējiet vēsāku ūdeni.
	Sūknī ir gaiss.	Vērsieties pilnvarotā apkopes centrā, lai veiktu remontu.
Ūdens/eļļas noplūde.	Slikts savienojums	Pārbaudiet augstspiediena mazgāšanas ierīces šļūtenes, izsmidzināšanas pistoles un augstspiediena mazgāšanas ierīces savienojumu.
	Nodilušas blīves	Vērsieties pilnvarotā apkopes centrā, lai veiktu remontu.
Sūknis nedarbojas, lai gan ir dzirdams motora troksnis.	Nepiemērots pagarinātājs.	Izmantojiet ierīces nominālajai elektriskajai jaudai atbilstošu pagarinātāju.

## PAPILDU PIEDERUMI

**⚠UZMANĪBU:** Šādi piederumi un papildierīces tiek ieteiktas lietošanai ar šajā rokasgrāmatā aprakstīto Makita darbarīku. Izmantojot citus piederumus vai papildierīces, var tikt radīta trauma gūšanas bīstamība. Piederumu vai papildierīci izmantojiet tikai paredzētajam mērķim.

Ja jums vajadzīga palīdzība vai precīzāka informācija par šiem piederumiem, vērsieties savā tuvākajā Makita apkopes centrā.

**PIEZĪME:** Daži sarakstā norādītie izstrādājumi var būt iekļauti instrumenta komplektācijā kā standarta piederumi. Tie dažādās valstīs var būt atšķirīgi.

### Izsmidzināšanas uzgalis

► Att.37

Strūklas platumu var noregulēt no 0° līdz 25°, griežot sprauslas priekšgalu.

**⚠UZMANĪBU:** Iestatot strūklas platumu un griežot sprauslu, nevelciet to pret izsmidzināšanas pistoli. Sprausla var atdalīties no izsmidzināšanas pistoles un radīt miesas bojājumus.

### Mazgāšanas suka (gara)

► Att.38

Sprausla ar suku. Noderīga netīrumu mazgāšanai, vienlaikus beržot ar suku.

### Iesūkšanas šļūtenes komplekts

► Att.39

Aizvietojiet ūdens šļūteni ar šo komplektu, lai piegādātu ūdeni no tvertnes vai tīltnes.

### Rotējoša mazgāšanas suka

► Att.40

Izšļāciet strūklu, iekšpusē lēni griežas trīs sukas. Noderīga nelielu netīrumu mazgāšanai no ārējām sienām, automobiļa virsbūves, vannas utt.

### Uzgaļa pagarinātājs

► Att.41

Caurules, ko izmanto izsmidzināšanas pistoles pagarināšanai. Mainot izmantojamo cauruļu skaitu, ir pieejami trīs dažādi garumi.

### Izsmidzināšanas uzgalis mazgāšanai zem virsmām

► Att.42

Ļoti garš izsmidzināšanas uzgalis ar atliektu sprauslu. Vispiemērotākais grūti pieejamu zonu tīrīšanai, piemēram, automobiļa apakšdaļas vai jumta notekcauruļu tīrīšanai.

**⚠UZMANĪBU:** Nepievienojiet uzgaļa pagarinātājus izsmidzināšanas uzgalim mazgāšanai zem virsmām.

## Šļakatu aizsargs

► Att.43

Ierobežo šļakstīšanas, tīrot stūrus ar netīrumu strūklas iekārtu.

## Šarnīrsavienojums

► Att.44

Novērš augstspiediena šļūtenes savīšanas.

## Savienotājs

► Att.45

Savienotājs, kas paredzēts cita modeļa sprauslas pievienošanai.

**PIEZĪME:** Savienotājs ir vajadzīgs, izmantojot cita modeļa sprauslas, HW112 vai HW121.

## Cauruļu tīrīšanas komplekts (10 m/15 m)

► Att.46

Aizsērējušu cauruļu sistēmu un stāvvadu tīrīšanai.

**⚠UZMANĪBU:** Izmantojot cauruļu tīrīšanas komplektu, pievērsiet īpašu uzmanību ūdens strūklai. Pārmērīgi intensīva ūdens strūkļa tiek izšļākta atpakaļ.

## Augstspiediena šļūtenes pagarinātājs (5 m/8 m/10 m)

► Att.47

Šļūtenes pagarinātājs paredzēts augstspiediena mazgāšanas ierīces savienošanai ar izsmidzināšanas pistoli.

## ĮSPĖJIMAS

- Vaikams negalima naudoti šių aparatų. Būtina prižiūrėti vaikus, kad jie nežaistų su šiuo aparatu.
- Šis aparatas nėra skirtas naudoti asmenims (įskaitant vaikus), turintiems fizinių, jutimo ar psichinių negalių arba stokojantiems patirties ir žinių.
- Šis aparatas buvo sukurtas naudoti su gamintojo pristatyta arba rekomenduojama valymo priemone. Kitų valymo priemonių ar cheminių medžiagų naudojimas gali turėti neigiamo poveikio aparato saugumui.
- Aukšto slėgio čiurkšlės gali būti pavojingos, jeigu jos netinkamai naudojamos. Čiurkšlės negalima nukreipti į asmenis, elektros įrangą su įtampa arba patį aparatą.
- Nenaudokite aparato ten, kur jis gali pasiekti žmones, nebent jie dėvėtų apsauginius drabužius.
- Nenukreipkite čiurkšlės į save ar kitus, kad nuplautumėte drabužius ar avalynę.
- Sprogimo pavojus – nepurškite degių skysčių.
- Aukšto slėgio valytuvų negali naudoti vaikai ar neišmokyti darbuotojai.
- Aukšto slėgio žarnos, pagalbiniai reikmenys ir jungtys yra svarbūs aparato saugumui. Naudokite tik gamintojo rekomenduojamas žarnas, pagalbinis reikmenis ir jungtis.
- Naudokite tik originalias gamintojo arba jo rekomenduotas atsargines dalis, kad užtikrintumėte aparato saugumą.
- Prieš ką nors darydami su įrankiu, visada patikrinkite, ar jis išjungtas, o laido kištukas – ištrauktas iš elektros lizdo.
- Nenaudokite aparato, jeigu maitinimo laidas ar svarbios aparato dalys yra sugadintos, pvz., apsauginiai įtaisai, aukšto slėgio žarnos, paleidžiamasis įtaisas.
- Netinkami ilginamieji laidai gali kelti pavojų. Jeigu naudojamas ilginamasis laidas, jis turi būti tinkamas naudoti lauke, o jungtis turi išlikti sausa ir pakelta nuo žemės. Tam rekomenduojama naudoti laidų ritę, kuri išlaiko lizdą bent 60 mm nuo žemės.

- Kai paliekate aparatą be priežiūros, visada išjunkite atjungimo nuo tinklo jungiklį.
- Laikykitės vietinės vandentiekio bendrovės reikalavimų.
- Europos šalyse:  
pagal standartą EN12729 (BA) prietaisą taip pat galima jungti prie miesto geriamojo vandens tiekimo tinklo, jei tiekimo žarnoje sumontuotas atgalinį srautą ribojantis vožtuvas su drenažiniu įtaisu.

## SPECIFIKACIJOS

Modelis:		HW1200	HW1300
Maks. tiekimo tūris		7,0 l/min.	7,5 l/min.
Vandens čirkšlės greitis		5,5 l/min.	6,0 l/min.
Maks. leistinas slėgis		12 MPa (120 barų)	13 MPa (130 barų)
Darbinis slėgis	Didelio slėgio režimas	10 MPa (100 barų)	11 MPa (110 barų)
	Mažo slėgio režimas	-	8 MPa (80 barų)
Maks. tiekimo slėgis		1 MPa (10 barų)	
Maks. tiekimo temperatūra		40 °C	
Maks. įsiurbimo aukštis		1,0 m	
Matmenys (I x P x A)		292 mm x 358 mm x 830 mm	
Svoris		11,0 kg	12,7 kg
Variklio apsauga		IPX5	

- Atliekame tęsinius tyrimus ir nuolatos tobuliname savo gaminius, todėl čia pateikiamos specifikacijos gali būti keičiamos be įspėjimo.
- Skirtingose šalyse specifikacijos gali skirtis.
- Svoris pagal 2003/01 EPTA procedūrą

## Simboliai

Toliau yra nurodyti įrangai naudojami simboliai. Prieš naudodami įsitikinkite, ar suprantate jų reikšmę.



Perskaitykite instrukcijų vadovą.



Būkite itin atsargūs ir dėmesingi.



DVIGUBA IZOLIACIJA



Tik ES šalims  
Neišmeskite elektrinės įrangos kartu su buitinėmis šiukšlėmis! Pagal ES direktyvą dėl naudotos elektros ir elektroninės įrangos ir jos įdiegimo pagal nacionalinius įstatymus, naudotą elektros įrangą būtina surinkti atskirai ir nugabenti antrinių žaliavų perdirbimui aplinkai nekenksmingu būdu.



Nenukreipkite čirkšlės tiesiai į žmones, įskaitant save, gyvūnus ir elektros įrangą su įtampa.



Netinka jungti prie geriamojo miesto vandens tinklo.

## Numatytoji naudojimo paskirtis

Šis įrankis yra skirtas sunkiai įveikiamiems nešvarumams valyti naudojant vandens čirkšlę. Šis įrankis yra skirtas naudoti tik namų ūkyje.

## Elektros energijos tiekimas

Įrenginiui turi būti tiekiamas tokios įtampos elektros energija, kaip nurodyta duomenų lentelėje; įrenginys veikia tik su vienfazė kintamąja srove. Jie yra dvigubai izoliuoti, todėl gali būti naudojami prijungus prie elektros lizdo be įžeminimo laido.

## Viešosioms žemos įtampos skirstymo sistemoms (nuo 220 iki 250 V)

Perjungiant elektrinio įrenginio operacijas įtampa gali svyruoti. Šio įrenginio naudojimas nepalankiomis elektros tinklo sąlygomis gali daryti įtaką kitos įrangos darbui. Kai pilnutinė įėjimo varža yra lygi ar mažesnė negu 0,25 omų, galima manyti, kad nebus jokio neigiamo poveikio. Šiam įrankiui naudojamas elektros tinklo lizdas turi būti apsaugotas saugikliu arba apsauginiu grandinės nutraukikliu, pasižyminčiu lėto suveikimo charakteristika.

## Triukšmas

Įprastas triukšmo A lygis, nustatytas pagal EN60335-2-79:

### Modelis HW1200

Garso slėgio lygis ( $L_{pA}$ ): 72 dB (A)  
Paklaida (K): 3,8 dB (A)

### Modelis HW1300

Garso slėgio lygis ( $L_{pA}$ ): 76 dB (A)  
Paklaida (K): 2,4 dB (A)

Dirbant triukšmo lygis gali viršyti 80 dB (A).

**⚠️ ĮSPĖJIMAS:** Dėvėkite ausų apsaugą.

## Vibracija

Vibracijos bendroji vertė (trიაšio vektorius suma) nustatyta pagal EN60335-2-79 standartą:

### Modelis HW1200

Vibracijos emisija ( $a_h$ ): 4,11 m/s<sup>2</sup>  
Paklaida (K): 1,5 m/s<sup>2</sup>

### Modelis HW1300

Vibracijos emisija ( $a_h$ ): 4,86 m/s<sup>2</sup>  
Paklaida (K): 1,5 m/s<sup>2</sup>

**PASTABA:** Paskelbtasis vibracijos emisijos dydis nustatytas pagal standartinį testavimo metodą ir jį galima naudoti vienam įrankiui palyginti su kitu.

**PASTABA:** Paskelbtasis vibracijos emisijos dydis taip pat gali būti naudojamas preliminariai įvertinti vibracijos poveikį.

**⚠️ ĮSPĖJIMAS:** Faktiškai naudojant elektrinį įrankį, keliamos vibracijos dydis gali skirtis nuo paskelbtojo dydžio, priklausomai nuo būdų, kuriais yra naudojamas šis įrankis.

**⚠️ ĮSPĖJIMAS:** Siekdami apsaugoti operatorių, būtina įvertinkite saugos priemones, remdamiesi vibracijos poveikio įvertinimu esant faktinėms naudojimo sąlygoms (atsižvelgdami į visas darbo ciklo dalis, pavyzdžiui, ne tik kiek laiko įrankis veikia, bet ir kiek kartų jis yra išjungiamas bei kai jis veikia be apkrovų).

## EB atitikties deklaracija

### Tik Europos šalims

EB atitikties deklaracija yra pridedama kaip šio instrukcijų vadovo A priedas.

## SAUGOS ĮSPĖJIMAI

**⚠️ ĮSPĖJIMAS:** Perskaitykite visus saugos įspėjimus ir visą instrukciją. Nesilaikydami toliau pateiktų įspėjimų ir instrukcijų galite patirti elektros smūgį, gaisrą ir (arba) sunkų sužeidimą.

## Išsaugokite visus įspėjimus ir instrukcijas, kad galėtumėte jas peržiūrėti ateityje.

### Darbo vietos sauga

1. Darbo vietoje negali būti kitų žmonių.
2. Nesiekite per toli ir nestovėkite ant nestabilių atramų. Visuomet tvirtai stovėkite ant žemės, išlaikykite pusiausvyrą.
3. Visada dėkite aukšto slėgio plovimo aparatą ant lygaus ir stabilaus paviršiaus. Venkite sričių, kuriose išpurkštas vanduo galėtų tekėti ar kauptis.
4. Prieš valydami, patikrinkite aplinką ir norimus valyti daiktus. Aukšto slėgio vandens čiurkšlės gali nulušti dažus ar kitas paviršiaus apdorojimo medžiagas, įskaitant toksines chemines medžiagas. Jeigu reikia, imkitės prevencinių priemonių.
5. Būkite atsargūs ir nesuklupkite, užkliuvę už aukšto slėgio plovimo aparato laido ar žarnos. Dirbdami visada žinokite laido ir žarnos išdėstymą.
6. Naudojant iš aukšto slėgio plovimo aparato apačios ištekės nedaug vandens. Nedėkite aukšto slėgio plovimo aparato tiese vietose, kurios nenorite, kad sudrėktų.

### Asmeninė sauga

1. Norėdami apsaugoti nuo čiurkšlės ir daiktų, operatoriai privalo dėvėti tinkamus drabužius, t. y. avėti apsauginę avalynę, mūvėti apsaugines pirštines, nešioti apsauginius šalmsus su skydeliais, klausos apsaugos priemones ir pan.
2. Nenaudokite aukšto slėgio plovimo aparato ten, kur jis gali pasiekti žmones, nebent jie dėvėtų apsauginius drabužius.
3. Norint sumažinti sužalojimo riziką, kai gaminys naudojamas netoli vaikų, būtina atidi priežiūra.
4. Iš atgalinio vožtuvo ištekėjęs vanduo yra laikomas netinkamu gerti.

### Elektros sauga

1. Niekada nenaudokite aukšto slėgio plovimo aparato lauke lietuvi lyjant.
2. Niekada nelieskite maitinimo kištuko ir (arba) lizdo drėgnomis rankomis.
3. Nenaudokite aparato, jeigu maitinimo laidas ar svarbios aparato dalys yra sugadintos, pvz., apsauginiai įtaisai, aukšto slėgio žarnos ar paleidžiamasis įtaisas.
4. Kištukas turi tiktai lizdui. Niekada niekaip nemodifikuokite kištuko. Nenaudokite jokių kištukų adapterių su įžemintais įrankiais. Nemodifikuotas kištukas ir jį atitinkantis lizdas sumažins elektros smūgio riziką.
5. Netinkami ilginamieji laidai gali kelti pavojų. Jeigu naudojamas ilginamasis laidas, jis turi būti tinkamas naudoti lauke, o jungtis turi išlikti sausa ir pakelta nuo žemės. Tam rekomenduojama naudoti laidų ritę, kuri išlaiko lizdą bent 60 mm nuo žemės.



6. Kai naudojate ilginamuosius laidus, įsidėmėkite šiuos dalykus:
  - naudokite tik lauke skirtus naudoti ilginamuosius laidus;
  - naudokite tik ilginamuosius laidus, kurių elektros parametrai atitinka arba yra didesni už gaminio parametrus;
  - nenaudokite pažeistų ilginamųjų laidų;
  - prieš naudojimą patikrinkite ilginamuosius laidus ir, jeigu jie pažeisti, pakeiskite;
  - saugokite ilginamuosius laidus ir netraukite už jų, kad atjungtumėte;
  - saugokite laidus nuo karščio ir aštrių kraštų;
  - prieš atjungdami gaminį nuo ilginamojo laido, visada išjunkite ilginamąjį laidą iš lizdo.
7. Elektros maitinimo prijungimą turi atlikti kvalifikuotas elektrikas ir jis turi atitikti IEC 60364-1 standarto reikalavimus. Rekomenduojama, kad šio aparato maitinimo šaltinis turėtų liekamosios srovės įtaisą, kuris pertrauktų maitinimą, jeigu nuotėkio srovė į žemę viršija 30 mA 30 ms, arba įtaisą, kuris užtikrintų įžeminimo kontūrą.
8. Kai paliekate aukšto slėgio plovimo aparatą be priežiūros, visada išjunkite maitinimą ir vandens tiekimą.
9. Saugokitės atitranskos. Paleidimo įtaisą atsoka, kai iš antgalio išpurškiamas aukšto slėgio čiurkšlė. Tvirtai laikykite paleidimo įtaisą, kad apsisaugotumėte nuo sužalojimų.
10. Prieš naudojimą patikrinkite, ar nėra pažeistų ar nusidėvėjusių dalių. Taip pat įsitikinkite, kad žarna yra tinkamai prijungta ir dirbant nebus nuotėkio. Dirbant aparatu su funkciniais defektais gali įvykti nelaimingas atsitikimas.
11. Šis aparatas buvo sukurtas naudoti su gamintojo pristatyta arba rekomenduojama valymo priemone. Kitų valymo priemonių ar cheminių medžiagų naudojimas gali turėti neigiamo poveikio aparato saugumui.
12. Netraukite už laido ir (arba) žarnos, jeigu norite perkelti aukšto slėgio plovimo aparatą. Taip sugadinsite laidą, žarną ir jungiamąsias dalis ir gali įvykti trumpasis jungimas ar atsirasti funkciniai defektai.
13. Ant žarnos nedėkite sunkių daiktų ir neleiskite ant jos važiuoti transporto priemonėms.
14. Visada prieš atjungdami žarną, sumažinkite paleidimo įtaise likusį slėgį.
15. Kai jungiate žarną prie vandentiekio, laikykitės savo vietinio vandentiekio skyriaus ar įmonės nurodymų.

#### Elektrinio įrankio naudojimas ir priežiūra

1. Prieš naudodami šį gaminį, perskaitykite visas instrukcijas.
2. Žinokite, kaip reikia sustabdyti aukšto slėgio plovimo aparatą ir greitai sumažinti slėgį. Gerai žinokite, kur yra valdikliai.
3. Aukšto slėgio čiurkšlės gali būti pavojingos, jeigu jos netinkamai naudojamos. Čiurkšlės negalima nukreipti į žmones, elektros įrangą su įtampa arba patį aparatą.
4. Šis aparatas nėra skirtas naudoti asmenims (įskaitant vaikus), turintiems fizinių, jutimo ar psichinių negalių arba stokojantiems patirties ir žinių.
5. Būtina prižiūrėti vaikus, kad jie nežaistų su šiuo prietaisu.
6. Nepurškite degių ir (arba) toksinių skysčių. Tai gali sukelti sprogimą, apsinuodijimą ar aparato sugadinimą.
7. Nenukreipkite čiurkšlės į save ar kitus, kad nuplautumėte drabužius ar avalynę.
8. Aukšto slėgio žarnos, pagalbiniai reikmenys ir jungtys yra svarbūs aparato saugumui. Naudokite tik gamintojo rekomenduojamas žarnas, pagalbinius reikmenis ir jungtis.
9. Laikykitės nurodymų, kai keičiate priedus.
10. Rankenos turi būti švarios, sausos ir neištepotos alyva ar tepalu.
11. Būkite budrūs – stebėkite, ką darote.
12. Nenaudokite gaminio, jeigu esate pavargę, apsvaigę nuo alkoholio arba narkotinių medžiagų.
13. Nelaikykite įjungto aukšto slėgio plovimo aparato be vandens ilgiau kaip vieną minutę. Taip sugadinsite variklį ir aparatas neveiks.

#### Techninė priežiūra

1. Laikykitės vadove pateikiamų techninės priežiūros instrukcijų.
2. Naudokite tik originalias gamintojo arba jo rekomenduotas atsargines dalis, kad užtikrintumėte aparato saugumą.
3. Tegu jūsų aukšto slėgio plovimo aparato techninę priežiūrą atlieka kvalifikuotas remonto meistras, naudodamas tik identiškas atsargines dalis. Tai užtikrins, kad aukšto slėgio plovimo aparatas bus saugus naudoti.
4. Aukšto slėgio plovimo aparato gedimo ar trikties atveju skubiai išjunkite jį ir ištraukite maitinimo kištuką. Kreipkitės į vietos prekybos atstovą ar techninės priežiūros centrą.

## SAUGOKITE ŠIAS INSTRUKCIJAS.

**⚠️ ĮSPĖJIMAS: NELEISKITE**, kad patogumas ir gaminio pažinimas (įgyjamas pakartotinai naudojant) susilpnintų griežtą saugos taisyklių, taikytinų šiam gaminiiui, laikymąsi.

Dėl NETINKAMO NAUDOJIMO arba saugos taisyklių, kurios pateiktos šioje instrukcijoje, nesilaikymo galima rimtai susižeisti.

# VEIKIMO APRAŠYMAS

**⚠ PERSPĖJIMAS:** Prieš pradėdami reguliuoti arba tikrinti įrankio veikimą, visuomet būtinai išjunkite įrankį ir atjunkite jį nuo maitinimo tinklo.

## Maitinimo jungiklis

**PASTABA:** Nesukite maitinimo jungiklio per jėgą. Jungiklis gali sugesti.

### Skirta modeliui HW1200

► **Pav.1:** 1. OFF (IŠJUNGIMO) padėtis 2. ON (JUNGIMO) padėtis

Pasukite maitinimo jungiklį pagal laikrodžio rodyklę, kad įjungtumėte aukšto slėgio plovimo aparatą.

### Skirta modeliui HW1300

Pasukite maitinimo jungiklį pagal laikrodžio rodyklę arba prieš ją, atsižvelgdami į slėgio lygį. Sukite maitinimo jungiklį pagal laikrodžio rodyklę, kad įjungtumėte didelio slėgio režimą, arba prieš laikrodžio rodyklę, kad įjungtumėte mažo slėgio režimą.

► **Pav.2:** 1. Mažo slėgio režimas 2. OFF (IŠJUNGIMO) padėtis 3. Didelio slėgio režimas

## Antgalio funkcijos

### Pulverizatorius „Vario-Power“

► **Pav.3**

Čiurkšlės slėgį galima reguliuoti sukant antgalį.

**⚠ PERSPĖJIMAS:** Kai reguliuojate čiurkšlės slėgį, nesukite antgalio, traukdami jį paleidimo įtaiso link. Antgalis gali nulėkti nuo paleidimo įtaiso ir sužaloti.

### Nešvarumų pūstuvus

► **Pav.4**

Išpurškiamą spiralinę čiurkšlę. Tinka įsisenėjusiems nešvarumams pašalinti.

**PASTABA:** Nenaudokite nešvarumų pūstuvo trapiems paviršiams, pavyzdžiui, langams ar automobilių kėbulams, valyti.

### Putų antgalis

► **Pav.5**

Ploviklis gali būti purškiamas kaip putas.

## Paleidimo įtaiso operacijos

Patraukite paleidimo įtaisą, kad būtų išpurkšta vandens čiurkšlė. Čiurkšlė purškiamą, kol spaudžiamas paleidimo įtaisas. Paleidimo įtaisą galima užblokuoti, kad jį būtų saugu naudoti. Norėdami užblokuoti paleidimo įtaisą, ištraukite stabdiklį ir užkabinkite jį griovelyje ant rankenėlės.

► **Pav.6:** 1. Stabdiklis 2. Griovelis

**PASTABA:** Visuomet palikite dviejų sekundžių intervalą tarp paleidimo įtaiso operacijų, kad išvengtumėte slėgio jungiklio mechaninės klaidos.

## Apsauginis vožtuvas

Šiame prietaise yra apsauginis vožtuvas, apsaugantis nuo nereikalingo viršslėgio. Kai paleidimo įtaisas atleidiama, vožtuvas atsidaro ir vanduo cirkuliuoja per siurblio įleidimo angą.

**⚠ PERSPĖJIMAS:** Nekeiskite ir nereguliuokite apsauginio vožtuvo nuostatos.

## Žarnos ritė

### Skirta tik HW1300

Norėdami išvynioti žarną, pirmiausiai ištraukite žarnos galą iš laikiklio. Atlenkite rankeną ir pasukite ją pagal laikrodžio rodyklę. Kai naudojate aukšto slėgio plovimo aparatą, visada išvyniokite žarną iki galo.

► **Pav.7:** 1. Žarnos ritė 2. Rankena 3. Žarnos galas

Kai žarną norite laikyti, pasukite rankeną prieš laikrodžio rodyklę ir pritvirtinkite žarnos galą.

► **Pav.8:** 1. Laikiklis 2. Rankena

## Vandens tiekimas iš bakelio ir (arba) rezervuaro

### Pasirenkamas priedas

Jūs galite vandenį tiekti iš bakelio ar rezervuaro, o ne iš čiaupo. Pakeiskite vandens žarnos jungtį siurbimo žarnos komplektu (papildomas priedas). Kai jungiate siurbimo žarnos komplektą, atjunkite nuo žarnos filtrą ir uždėkite jį ties aukšto slėgio plovimo aparato įleidimo angą. Tuomet prijunkite žarną prie filtro.

► **Pav.9:** 1. Bakelis ir (arba) rezervuaras 2. Siurbimo žarnos komplektas 3. Vandens žarnos jungtis 4. Žarna 5. Filtro dėklas 6. Aukšto slėgio plovimo aparato įleidimo anga

**PASTABA:** Visada naudokite „Makita“ siurbimo žarnos komplektą.

**PASTABA:** Visuomet išlaikykite 1,0 m (3,28 ft) arba mažesnį aukštį tarp aukšto slėgio plovimo aparato įleidimo angos ir vandens paviršiaus. Kitaip aukšto slėgio plovimo aparatas negalės tiekti vandens į siurblią.

Norėdami, kad vandens patektų į žarną, nuimkite antgalį nuo paleidimo įtaiso ir įjunkite aukšto slėgio plovimo aparatą, spausdami paleidimo įtaisą. Kai vanduo stabiliai purškiamas iš paleidimo įtaiso, atleiskite jį ir pritvirtinkite norimos paskirties antgalį.

► **Pav.10:** 1. Paleidimo įtaisas

**PASTABA:** Kai vanduo nepurškiamas, nuimkite siurbimo žarnos komplektą ir pamerkite į vandenį. Tuomet vėl prijunkite prie aukšto slėgio plovimo aparato.

► **Pav.11:** 1. Siurbimo žarnos komplektas

## SURINKIMAS

**⚠ PERSPĖJIMAS:** Prieš ką nors darydami su įrankiu, visada patikrinkite, ar jis išjungtas, o laido kištukas ištrauktas iš elektros lizdo.

## Nešimo rankenos montavimas

### Skirta tik HW1200

1. Sujunkite priekinę ir galinę rankenos puses, sulygiavę varžto skylutes, esančias ant aukšto slėgio plovimo aparato.

► **Pav.12:** 1. Priekinė rankenos pusė 2. Galinė rankenos pusė 3. Aukšto slėgio plovimo aparato korpusas

2. Pritvirtinkite nešimo rankeną varžtais (7 vnt.).

► **Pav.13**

## Aukšto slėgio žarnos prijungimas

### Skirta tik HW1200

Prijunkite aukšto slėgio žarną prie išleidimo angos (su pistoleto žyma). Sukite veržlę, esančią ant aukšto slėgio žarnos, pagal laikrodžio rodyklę, sukdami ją ant išleidimo varžto sriegio.

► **Pav.14:** 1. Išleidimo anga 2. Veržlė

**⚠ PERSPĖJIMAS:** Patikrinkite, ar aukšto slėgio žarna yra saugiai prijungta. Jeigu jungtis laisva, aukšto slėgio žarna gali nušokti ir sužaloti.

## Paleidimo įtaiso tvirtinimas

Prijunkite aukšto slėgio žarną prie įleidimo angos ant paleidimo įtaiso. Sukite veržlę, esančią ant aukšto slėgio žarnos, pagal laikrodžio rodyklę, sukdami ją ant įleidimo varžto sriegio.

► **Pav.15:** 1. Įleidimo anga 2. Veržlė

**⚠ PERSPĖJIMAS:** Patikrinkite, ar aukšto slėgio žarna yra saugiai prijungta. Jeigu jungtis laisva, aukšto slėgio žarna gali nušokti ir sužaloti.

## Prijungimas prie čiaupo

**⚠ PERSPĖJIMAS:** Visada naudokite slėgiui atsparią  $\varnothing 13$  mm ar didesnio skersmens vandens žarną ir prijunkite ją prie čiaupo naudodami tinkamas tvirtinimo detales. Kitaip vandens žarna ir (arba) tvirtinimo detalė gali sutrūkti ir sužaloti.

**PASTABA:** Naudokite kuo trumpesnę slėgiui atsparią vandens žarną. Vandens turi patekti daugiau nei maksimalus siurblio tiekimo tūris.

**PASTABA:** Jeigu prijungsite prie geriamojo vandens vandentiekio, naudokite atbulinį vožtuvą, atitinkantį Jūsų regiono taisykles.

Paruoškite slėgiui atsparią vandens žarną. Prie vieno galo prijunkite jungiamąją movą, o kitą galą prijunkite prie čiaupo, kaip nurodyta toliau.

1. Nuimkite veržlę nuo jungiamosios movos ir prakiškite slėgiui atsparią žarną pro veržlę. Įkiškite žarnos galą į jungiamąją movą ir tuomet priveržkite veržlę.

► **Pav.16:** 1. Slėgiui atspari vandens žarna  
2. Jungiamosios movos veržlė  
3. Jungiamoji mova

**PASTABA:** Jeigu slėgiui atsparią vandens žarną jungsite prie čiaupo naudodami jungiamąją movą, pritvirtinkite dar vieną prie kito žarnos galo.

2. Prijunkite slėgiui atsparią vandens žarną prie čiaupo. Naudokite tinkamą tvirtinimo detalę, pavyzdžiui, žarnos tvirtinimo juostelę ar vandens čiaupo jungtį, žarnos galui pritvirtinti prie čiaupo.

► **Pav.17:** 1. Žarnos tvirtinimo juostelė 2. Vandens čiaupo jungtis 3. Slėgiui atspari vandens žarna

**PASTABA:** Naudojama tvirtinimo detalė priklausys nuo čiaupo, prie kurio norite prijungti, formos. Paruoškite tinkamą parduotuvėje įsigytą tvirtinimo detalę.

3. Prijunkite vandens žarnos jungtį prie įleidimo angos (su čiaupo žyma) ir tuomet įkiškite jungiamąją movą.

► **Pav.18:** 1. Jungiamoji mova 2. Vandens žarnos jungtis 3. Įleidimo anga

## Antgalio prijungimas ir (arba) atjungimas

**⚠ PERSPĖJIMAS:** Kai prijungiate ir (arba) atjungiate antgalį, visada užblokuokite paleidimo įtaisą.

Įdėkite antgalio galą į paleidimo įtaiso lizdą ir sukite jį rodyklės kryptimi, kaip parodyta paveikslėlyje. Norėdami atjungti antgalį, pasukite jį priešinga kryptimi, spausdami jį paleidimo įtaiso link.

► **Pav.19:** 1. Paleidimo įtaisas 2. Lizdas 3. Antgalio galas

Kai kuriems pasirenkamiems antgaliams reikalinga speciali jungtis (pasirenkamas priedas) paleidimo įtaisui pritvirtinti. Prijunkite specialią jungtį prie paleidimo įtaiso taip pat kaip ir antgalį.

► **Pav.20:** 1. Antgalis 2. Speciali jungtis 3. Paleidimo įtaisas

**PASTABA:** Speciali jungtis yra reikalinga, kai naudojami su kitu modeliu pristatomi antgaliai, HW112 arba HW121.

## Putų antgalio prijungimas

**⚠ PERSPĖJIMAS:** Kai prijungiate ir (arba) atjungiate antgalį, visada užblokuokite paleidimo įtaisą.

Prieš naudodami putų antgalį, pasiruoškite ploviklį.

1. Nuimkite antgalį nuo bakelio, pasukdami antgalį prieš laikrodžio rodyklę. Pritvirtinkite antgalį prie paleidimo įtaiso.

► **Pav.21:** 1. Antgalis 2. Paleidimo įtaisas

2. Įpilkite ploviklio į bakelį ir sumontuokite jį prie antgalio.

► **Pav.22:** 1. Bakelis

**PASTABA:** Visada naudokite neutralų ploviklį. Rūgštinis ar šarminis ploviklis gali sugadinti bakelį ar antgalį.

## NAUDOJIMAS

**⚠ PERSPĖJIMAS:** Nelieskite vandens čiurkšlės ir nenukreipkite jos savęs ar kitų žmonių link. Vandens čiurkšlė yra pavojinga ir gali sužeisti Jus ar kitus asmenis.

**⚠ JSPĖJIMAS:** Kai purškiate vandens čiurkšlę, niekada nelaikykite valomo daikto ir nedėkite savo rankų ir kojų arti vandens čiurkšlės.

**⚠ PERSPĖJIMAS:** Saugokitės atšokusios vandens čiurkšlės ir nupūstų daiktų. Nepriartinkite antgalio arčiau kaip per 30 cm.

**⚠ PERSPĖJIMAS:** Nelaikykite įjungto aukšto slėgio plovimo aparato be vandens ilgiau kaip 1 minutę.

**⚠ PERSPĖJIMAS:** Ilgai nenaudokite aukšto slėgio plovimo aparato. Tai gali sukelti perkaitimą ar gaisrą. Taip pat dėl ilgalaikio naudojimo gali atsirasti vibracijos sutrikimas.

**⚠ PERSPĖJIMAS:** Žinokite vėjo kryptį. Jeigu ploviklio patektų į akis ar burną, skubiai plaukite švairiu vandeniu ir, jeigu reikia, kreipkitės į medikus.

**PASTABA:** Stenkitės nenaudoti aukšto slėgio plovimo aparato ilgiau kaip vieną valandą. Panaudoję 1 valandą, padarykite tokios pačios trukmės pertrauką.

1. Prijunkite aukšto slėgio žarnos galą prie paleidimo įtaiso. Modelis HW1200: kitą galą prijunkite prie aukšto slėgio plovimo aparato. Modelis HW1300: išvyniokite žarną iki galo.

2. Prijunkite aukšto slėgio plovimo aparatą prie čiaupo ir tuomet jį atsukite.  
► Pav.23

**PASTABA:** Norėdami apsaugoti aukšto slėgio plovimo aparato mechanizmą, nenaudokite karštesnio kaip 40 °C vandens.

3. Prijunkite aukšto slėgio plovimo aparatą prie maitinimo tinklo ir įjunkite jį.  
► Pav.24: 1. Maitinimo jungiklis

4. Norėdami išpurkšti vandens čiurkšlę, atblokuokite stabdiklį ir suspauskite paleidimo įtaisą. Čiurkšlė purškia, kol spaudžiamas paleidimo įtaisas.  
► Pav.25: 1. Stabdiklis

**⚠ PERSPĖJIMAS:** Tvirtai laikykite paleidimo įtaisą. Kai paspaudžiate gaiduką, paleidimo įtaisas atšoka.

**⚠ PERSPĖJIMAS:** Visuomet valydami laikykite paleidimo įtaisą už rankenos ir korpuso. Kai veikia variklis, nelieskite jokios aukšto slėgio plovimo aparato korpuso dalies, išskyrus nešimo rankeną ir maitinimo jungiklį.

**PASTABA:** Būkite atsargūs ir dirbdami netrukite paleidimo įtaiso per jėgą. Aukšto slėgio plovimo aparatas gali nuvirsti.

## Po naudojimo

**⚠ PERSPĖJIMAS:** Po naudojimo visada atlikite šiame vadove aprašytą procesą. Paleidimo įtaise ar aukšto slėgio plovimo aparate likęs slėgis gali sukelti asmeninį sužalojimą arba sugadinti viduje esančią siurblių.

1. Panaudoję palikite maitinimo jungiklį įjungtą.  
2. Užsukite čiaupą ir atjunkite vandens žarną nuo aukšto slėgio plovimo aparato.

► Pav.26

3. Spauskite gaiduką, kol bus išleistas likęs vanduo iš aukšto slėgio plovimo aparato.

Nelaikykite įjungto variklio ilgiau kaip 1 minutę.

► Pav.27

4. Išjunkite aukšto slėgio plovimo aparatą ir ištraukite maitinimo kištuką.

► Pav.28: 1. Maitinimo jungiklis

5. Atjunkite aukšto slėgio žarną nuo paleidimo įtaiso.

► Pav.29: 1. Paleidimo įtaisas 2. Aukšto slėgio žarna

Modelis HW1200: taip pat atjunkite aukšto slėgio žarną nuo aukšto slėgio plovimo aparato.

► Pav.30: 1. Aukšto slėgio žarna

Modelis HW1300: suvyniokite žarną ir pritvirtinkite žarnos galą.

► Pav.31: 1. Laikiklis 2. Rankena

**PASTABA:** Prieš padėdami laikyti, išpilkite likusį vandenį iš žarnos, kad nesugadintumėte aukšto slėgio žarnos.

## TECHNINĖ PRIEŽIŪRA IR SAUGOJIMAS

**⚠ PERSPĖJIMAS:** Prieš pradėdami įrankio tikrinimo arba techninės priežiūros darbus, visuomet būtinai išjunkite įrankį ir atjunkite jį nuo maitinimo tinklo.

**PASTABA:** Niekada nenaudokite gazolino, benzino, tirpiklio, spirito arba panašių medžiagų. Gali atsirasti išblukimų, deformacijų arba įtrūkimų.

## Antgalio valymas

Naudokite valymo kaitšų nešvarumams iš antgalio pašalinti arba jam atkimšti.

► Pav.32: 1. Valymo kaitšis

**PASTABA:** Nešalinkite nešvarumų ar nuosėdų per jėgą. Taip galite susižaloti arba sugadinti išmetimo angą, dėl ko išmetimo kampa bus su nuokrypiais arba aparatas prastai veiks.

## Filtro valymas

Atjunkite vandens žarnos jungtį ir pašalinkite nešvarumus ir nuosėdas iš filtro vidaus.

- **Pav.33:** 1. Vandens žarnos jungtis 2. Filtras  
3. Sandarinamasis žiedas

Kai naudojate siurbimo žarnos komplektą (pasirenkamas priedas), išimkite filtrą iš jo dėklo ir pašalinkite nešvarumus ir nuosėdas.

- **Pav.34:** 1. Filtras 2. Filtro dėklas

**PASTABA:** Reguliariai valykite filtrą, kad išlaikytumėte optimalų aparato veikimą.

## Laikymas

Suvyniokite žarną ir laidą. Įdėkite paleidimo įtaisą ir antgalius į kišenės.

**HW1200**

- **Pav.35**

**HW1300**

- **Pav.36**

**⚠PERSPĖJIMAS:** Visada laikykite aparatą patalpoje, kur temperatūra nepasiekia užšalimo temperatūros. Jeigu aukšto slėgio plovimo aparatas užšąla ir sutrinka jo veikimas, kreipkitės dėl remonto į savo vietinį priežiūros centrą.

**⚠PERSPĖJIMAS:** Kai perkeliate aukšto slėgio plovimo aparatą, visada naudokite nešimo rankeną. Neneškite jo, paėmę už žarnos ar laido. Žarna ar laidas gali būti pažeisti.

**⚠PERSPĖJIMAS:** Neneškite aukšto slėgio plovimo aparato, nesuvynioję žarnos ir (arba) laido. Ištraukta žarna ar laidas gali būti pažeisti arba susipainioti su kitais daiktais ir tai sukelti sužalojimą ar gedimą.

Kad gaminys būtų SAUGUS ir PATIKIMAS, jį taisyti, apžiūrėti ar vykdyti bet kokią kitą priežiūrą ar derinimą turi įgaliotasis kompanijos „Makita“ techninės priežiūros centras; reikia naudoti tik kompanijos „Makita“ pagamintas atsargines dalis.

## GEDIMŲ ŠALINIMAS

Prieš kreipdamiesi dėl remonto darbų, pirmiausia patikrinkite gedimus patys. Kilus problemų, apie kurias nepaaiškinta vartotojų vadove, nemėginkite ardyti įrankio. Kreipkitės į įgaliotuosius „Makita“ techninės priežiūros centrus, kuriuose remontui visuomet naudojamos originalios „Makita“ keičiamosios dalys.

Neįprasta būklė	Tikėtina priežastis (triktis)	Ištaisomoji priemonė
Plovimo aparatas nepasileidžia.	Nėra elektros	Prijunkite kištuką prie maitinimo tinklo. Taip pat patikrinkite, ar maitinimo tinklui tiekiami elektra.
	Jungiklis neįjungtas.	Įjunkite jungiklį.
	Siurblyje likęs slėgis	Patraukite gaiduką.
	Pažeistas laidas ar elektros kontūras	Dėl remonto kreipkitės į įgaliotąjį priežiūros centrą.
Nėra vandens čiuurkšlės ir (arba) silpna vandens čiuurkšlė	Netiekiamas vanduo	Patikrinkite, ar atsuktas čiaupas. Jeigu naudojate siurbimo žarnos komplektą, įleiskite vandens į žarną.
	Prastai tiekiamas vanduo	Atsukite čiaupą.
	Prastai prijungta vandens žarna	Patikrinkite vandens žarnos, čiaupo ir aukšto slėgio plovimo mašinos įleidimo angos jungtį.
	Užsikimšusi žarna, filtras ar antgališ	Atkimškite žarną, filtrą ar antgalį.
	Oras blokuoja vandens srautą.	Išjunkite jungiklį ir vėl jį įjunkite, spausdami gaiduką.
	Sugadintas ar susidėvėjęs antgališ	Pakeiskite antgalį.
	Siurblio arba vožtuvo triktis	Dėl remonto kreipkitės į įgaliotąjį priežiūros centrą.
Nestabili vandens čiuurkšlė.	Užsikimšęs antgališ	Atkimškite antgalio išmetimo angą, naudodami valymo kaištį.
	Prastai siurbiamas vanduo	Patikrinkite vandens žarną, pradėdami nuo čiaupo, ar nėra nuotėkių ar užsikimšimų. Atsukite čiaupą.
	Per karštas vanduo.	Tiekite vėsesnį vandenį.
	Vožtuvo triktis	Dėl remonto kreipkitės į įgaliotąjį priežiūros centrą.
Neįprastas garsas.	Per karštas vanduo.	Tiekite vėsesnį vandenį.
	Siurblyje yra įstrigusio oro.	Dėl remonto kreipkitės į įgaliotąjį priežiūros centrą.
Vandens ir (arba) alyvos nuotėkis.	Prasta jungtis	Patikrinkite aukšto slėgio žarnos, paleidimo įtaiso ir aukšto slėgio plovimo mašinos jungtį.
	Susidėvėję sandarikliai	Dėl remonto kreipkitės į įgaliotąjį priežiūros centrą.
Siurblys neveikia, nors girdimas variklio garsas.	Netinkamas ilginamasis laidas.	Naudokite gaminio parametrus atitinkančią ilginamąjį laidą.

# PASIRENKAMI PRIEDAI

**▲PERSPĖJIMAS:** Šiuos papildomus priedus arba įtaisus rekomenduojama naudoti su šioje instrukcijoje nurodytu „Makita“ bendrovės įrankiu. Naudojant bet kokius kitus papildomus priedus arba įtaisus, gali kilti pavojus sužeisti žmones. Naudokite tik nurodytam tikslui skirtus papildomus priedus arba įtaisus.

Jeigu norite daugiau sužinoti apie tuos priedus, kreipkitės į artimiausią „Makita“ techninės priežiūros centrą.

**PASTABA:** Kai kurie sąrašė esantys priedai gali būti pateikti įrankio pakuotėje kaip standartiniai priedai. Jie įvairiose šalyse gali skirtis.

## Pulverizatorius

► Pav.37

Čiurkšlės plotį galima reguliuoti nuo 0° iki 25°, sukant antgalio priekinį galą.

**▲PERSPĖJIMAS:** Kai reguliuojate čiurkšlės plotį, nesukite antgalio, traukdami jį paleidimo įtaiso link. Antgalis gali nulėkti nuo paleidimo įtaiso ir sužaloti.

## Plovimo šepetys (ilgas)

► Pav.38

Antgalis turi šepetį. Naudinga plaunant nešvarumus pavalyti šepečiu.

## Siurbimo žarnos komplektas

► Pav.39

Pakeiskite vandens žarną šiuo komplektu, kad vanduo būtų tiekiamas iš bakelio ar rezervuaro.

## Sukamasis plovimo šepetys

► Pav.40

Trys šepečiai lėtai sukasi viduje, kai išpurškiama čiurkšlė. Tinka valyti nedidelius nešvarumus ant išorinių sienų, automobilio kėbulo, vonios ir pan.

## Pulverizatoriaus ilgintuvas

► Pav.41

Vamzdeliai pailgina paleidimo įtaisą. Galimi trys skirtingi ilgiai, keičiant naudojamų vamzdelių skaičių.

## Po kėbulu naudojamas

### pulverizatorius

► Pav.42

Itin ilgas pulverizatorius su išlenktu antgaliu. Puikiai tinka valyti sunkiai pasiekiamas vietas, pavyzdžiui, automobilio važiuoklę ir stogo lataką.

**▲PERSPĖJIMAS:** Nenaudokite po kėbulu naudojamo pulverizatoriaus su pulverizatoriaus ilgintuvu.

## Apsauga nuo aptaškymo

► Pav.43

Sumažina aptaškymą, kai valomi kampai su nešvarumų pūstuvu.

## Šarnyrinė jungtis

► Pav.44

Apsaugo aukšto slėgio žarną nuo susukimo.

## Speciali jungtis

► Pav.45

Jungtis, skirta antgaliui prijungti iš kito modelio.

**PASTABA:** Speciali jungtis yra reikalinga, kai naudojami su kitu modeliu pristatomi antgaliai, HW112 arba HW121.

## Vamzdžių valymo komplektas (10 m/15 m)

► Pav.46

Santehnikai ir stogvamzdžiams valyti ir atkimišti.

**▲PERSPĖJIMAS:** Kai naudojate vamzdžių valymo komplektą, ypač atkreipkite dėmesį į vandens čiurkšlę. Labai intensyvi vandens srovė išmetama atgal.

## Ilginamoji aukšto slėgio žarna (5 m/8m/10 m)

► Pav.47

Ilginamoji žarna, jungianti aukšto slėgio plovimo aparato korpusą su paleidimo įtaisu.

## HOIATUS

- Masinaid ei tohi kasutada lapsed. Lapsed ei tohi masinaga mängida.
- Masin ei ole ette nähtud kasutamiseks füüsiliste, sensoorsete või vaimsete puuetega isikutele (k.a lapsed) ega isikutele, kellel puuduvad kogemused ja teadmised seadme ohutuks kasutamiseks.
- Masin on mõeldud kasutamiseks puhastusainega, mille tootja on kaasa andnud või soovitanud. Muude puhastusainete või kemikaalide kasutamine võib seadme ohutusele ebasoodsat mõju avaldada.
- Kõrgsurvepihustid võivad olla vale kasutamise korral ohtlikud. Pihustit ei tohi suunata inimeste, sisselülitatud elektriseadmete ega masina enda poole.
- Ärge kasutage masinat inimeste läheduses, välja arvatud juhul, kui nad kannavad kaitserõivaid.
- Ärge suunake pihustit riiete või jalatsite puhastamiseks enda või teiste poole.
- Plahvatusoht – ärge pihustage kergsüttivaid vedelikke.
- Kõrgsurve puhastusseadmeid ei tohi kasutada lapsed ega väljaõppeta personal.
- Kõrgsurvevoolikud, liitmikud ja ühendusmuhvid on olulised masina ohutuseks. Kasutage ainult tootja soovitatud voolikuid, liitmikke ja ühendusmuhve.
- Masina ohutuse tagamiseks kasutage ainult tootja originaalvaruosasid või tootja heaks kiidetud varuosasid.
- Enne mistahes tööde tegemist tööriista juures veenduge, et tööriist oleks välja lülitatud ja seinast välja tõmmatud.
- Ärge kasutage masinat, kui toitejuhe või masina tähtsad osad on kahjustatud, nt ohutusseadmed, kõrgsurvevoolikud, pihustipüstol.
- Ebasobivad pikendusjuhtmed võivad olla ohtlikud. Kui kasutatakse pikendusjuhet, peab see sobima õues kasutamiseks ning ühendus peab olema kuiv ja maapinnast kõrgemal. Soovitatav on see saavutada juhtme pooli abil, mis hoiab pistikupesa vähemalt 60 mm maapinnast kõrgemal.
- Jättes masina järelevalveta, lülitage see alati vooluvõrgust välja.
- Vastake kohaliku veevarustuse ettevõtte nõuetele.
- Euroopa riikide jaoks:  
EN12729 (BA) kohaselt saab seadet ühendada peamise joogi-veevarude võrguga, kui toitetoru külge on paigaldatud tagasi-  
voolu takistav ventiil koos äravoolusüsteemiga.

# TEHNILISED ANDMED

Mudel:		HW1200	HW1300
Max toitemaht		7,0 l/min	7,5 l/min
Vee voolukiirus		5,5 l/min	6,0 l/min
Max lubatav rõhk		12 MPa (120 bari)	13 MPa (130 bari)
Töörõhk	Kõrge režiim	10 MPa (100 bari)	11 MPa (110 bari)
	Madal režiim	-	8 MPa (80 bari)
Max toiterõhk		1 MPa (10 bari)	
Max toitetemperatuur		40 °C	
Max imemiskõrgus		1,0 m	
Mõõtmised (P × L × K)		292 mm × 358 mm × 830 mm	
Kaal		11,0 kg	12,7 kg
Mootorikaitse		IPX5	

- Meie pideva uuringu- ja arendusprogrammi tõttu võidakse tehnilisi andmeid muuta ilma sellest ette teatamata.
- Tehnilised andmed võivad riigiti erineda.
- Kaal EPTA-protseduuri 01/2003 järgi

## Sümbolid

Alljärgnevalt kirjeldatakse seadmetel kasutatavaid tingimärke. Veenduge, et olete nende tähendusest aru saanud enne seadme kasutamist.



Lugege juhendit.



Olge äärmiselt ettevaatlik ja tähelepanelik.



TOPELTISOLATSIOON



Ainult EL-i riikidele  
Ärge pange kasutusest kõrvaldatud elektriseadmeid tavaliste olmejäätmete hulka! Vastavalt Euroopa Parlamendi ja Nõukogu direktiivile elektri- ja elektroonikaseadmete jäätmete kohta ning direktiivi nõuete kohaldamisele liikmesriikides tuleb kasutuskõlbmatuks muutunud elektriseadmed koguda eraldi ja keskkonnasäästlikult ringlusse võtta.



Ärge suunake pihustit inimeste, sh iseenda, loomade ja sisselülitatud elektriseadmete poole.



Ei sobi ühendamiseks joogiveevõrguga.

## Kavandatud kasutus

See tööriist on mõeldud kangekaelse mustuse eemaldamiseks vee-  
pihusti abil. Tööriist on mõeldud kasutamiseks majapidamistöodes.

## Vooluvarustus

Seadet võib ühendada ainult andmesildil näidatud pingega vooluvõrku ning seda saab kasutada ainult ühefaasilisel vahelduvvoolutoitel. Seadmel on kahekordne isolatsioon ning seega võib seda kasutada ka ilma maandusjuhtmeta pistikupespa ühendatult.

## 220 V – 250 V avalikele madalpinge jaotusvõrkudele

Elektriseadmete lülitustoimingud põhjustavad pingekiikumisi. Selle seadme kasutamisel ebasobivas vooluvõrgus võivad olla kahjustavad mõjud teiste seadmete tööle. Kui toiteliini takistus on võrdne või väiksem kui 0,25 oomi, võib oletada, et negatiivsed mõjud puuduvad. Seadme juures kasutatud toiteliini pesa on kaitstud kaitsme või aeglaselt rakenduva kaitselülitiga.

## Müra

Tüüpiline A-korrigeeritud müratase, määratud standardi EN60335-2-79 kohaselt:

### Mudel HW1200

Helirõhutase ( $L_{pA}$ ): 72 dB (A)

Määramatus (K): 3,8 dB (A)

### Mudel HW1300

Helirõhutase ( $L_{pA}$ ): 76 dB (A)

Määramatus (K): 2,4 dB (A)

Töötamisel võib müratase ületada 80 dB (A).

**⚠ HOIATUS:** Kasutage kõrvakaitsmeid.

## Vibratsioon

Vibratsiooni koguväärtus (kolmeteljeliste vektorite summa) määratud standardi EN60335-2-79 kohaselt:

### Mudel HW1200

Vibratsiooniheide ( $a_h$ ): 4,11 m/s<sup>2</sup>

Määramatus (K): 1,5 m/s<sup>2</sup>

### Mudel HW1300

Vibratsiooniheide ( $a_h$ ): 4,86 m/s<sup>2</sup>

Määramatus (K): 1,5 m/s<sup>2</sup>

**MÄRKUS:** Deklareeritud vibratsiooniheite väärtus on mõõdetud kooskõlas standardse testimismeetodiga ning seda võib kasutada ühe seadme võrdlemiseks teisega.

**MÄRKUS:** Deklareeritud vibratsiooniheite väärtust võib kasutada ka mürataseme esmaseks hindamiseks.



**⚠️HOIATUS:** Vibratsioonitase võib elektritööriista tegelikkuses kasutamise ajal erineda deklareeritud väärtusest olenevalt tööriista kasutamise viisidest.

**⚠️HOIATUS:** Rakendage operaatori kaitsmiseks kindlasti piisavaid ohutusabinõusid, mis põhinevad hinnangulisel müratasemel tegelikus töösihtuatsioonis (võttes arvesse tööperioodi kõiki osasid, nagu näiteks korrad, kui seade lülitatakse välja ja seade töötab tühikäigul, lisaks tööajale).

## EÜ vastavusdeklaratsioon

### Ainult Euroopa riikide puhul

EÜ vastavusdeklaratsioon sisaldub käesoleva juhendi Lisas A.

## OHUTUSHOIATUSED

**⚠️HOIATUS:** Lugege läbi kõik ohutushoiatused ja juhtnõõrid. Hoiatuste ja juhtnõõride mittejärgmine võib põhjustada elektrišokki, tulekahju ja/või tõsiseid vigastusi.

## Hoidke edaspidisteks viide- teks alles kõik hoiatused ja juhtnõõrid.

### Tööpiirkonna ohutus

1. Hoidke inimesed tööpiirkonnast eemal.
2. Ärge kummarduge üle ebastabiilsete tugede ega seiske nende peal. Hoidke jalad kogu aeg kindlalt maas ja hoidke tasakaalu.
3. Asetage kõrgsurvepesuri kere tasasele ja stabiilsele pinnale. Vältige alasid, kus väljuv vesi pääseb jooksma või koguneb.
4. Enne puhastamist kontrollige ümbrust ja puhastavaid esemeid. Kõrgsurvepihustid võivad maha kraapida värvi või muud pinnatõtlusvahendid, sealhulgas mürgised kemikaalid. Vajaduse korral võtke ennetavad meetmed.
5. Hoiduge kõrgsurvepesuri juhtmele või voolikule komistamast. Olge alati teadlik juhtme ja vooliku asetusest töötamise ajal.
6. Kasutamise ajal tuleb kõrgsurvepesuri alumisest osast välja väike kogus vett. Vältige kõrgsurvepesuri paigutamist piirkonnadesse, mille märjaks saamist te ei soovi.

### Isiklik ohutus

1. Pihusti ja pihusti kõrval olevate esemete vastu kaitsmiseks peaksid operaatorid kandma sobivaid rõivaid, näiteks turvasaapaid, turvakindaid, nõovarjuga kiivrit, kõrvakaitset jne.
2. Ärge kasutage kõrgsurvepesurit inimeste läheduses, välja arvatud juhul, kui nad kannavad kaitserõivaid.
3. Vigastuste ohu vähendamiseks on toote kasutamisel laste läheduses vajalik hoolikas järelevalve.
4. Vesi, mis on voolanud läbi tagasivoolukaitse, ei ole joogikõlblik.

### Elektrihoiutus

1. Ärge kunagi kasutage kõrgsurvepesurit õues vihma käes.
2. Ärge puudutage kunagi toitepistikut ja/või pistikupesaga märgade kätega.
3. Ärge kasutage masinat, kui kahjustatud on toitejuhe või masina tähtsad osad, nt ohutus-seadmed, kõrgsurvevoolikud, pihustipüstol.
4. Pistik peab pistikupesaga sobima. Ärge kunagi muutke pistikut mis tahes moel. Ärge kasutage adapterpistikuid maandatud tööriistadega. Muutmata pistik ja sobiv pistikupesaga vähendavad elektrilöögi riski.
5. Ebasobivad pikendusjuhtmed võivad olla ohtlikud. Kui kasutatakse pikendusjuhet, peab see sobima õues kasutamiseks ning ühendus peab olema kuiv ja maapinnast kõrgemal. Soovitatav on see saavutada juhtme pooli abil, mis hoiab pistikupesaga vähemalt 60 mm maapinnast kõrgemal.
6. Pikendusjuhtmeid kasutades pidage meeles järgmist.
  - Kasutage ainult õues kasutamiseks mõeldud pikendusjuhtmeid.
  - Kasutage ainult pikendusjuhtmeid, mille elektrimäär on võrdne või suurem kui toote määr.
  - Ärge kasutage kahjustatud pikendusjuhtmeid.
  - Kontrollige pikendusjuhtmeid enne kasutamist ja vahetage kahjustatud pikendusjuhtmed välja.
  - Ärge väärkasutage pikendusjuhtmeid ja ärge tõmmake juhet eemaldamisel järsult.
  - Hoidke juhet kuumuse ja teravate servade eest.
  - Eemaldage ühendusjuhe alati pistikupesast enne, kui eemaldate toote pikendusjuhtmest.
7. Elektritoite ühenduse peab looma kvalifitseeritud elektrik ja see peab vastama standardile IEC 60364-1. Soovitatav on, et selle masina elektrihendusel oleks rikkevooluseade, mis katkestab toite, kui lekkevool maasse ületab 30 mA 30 ms vältel, või seade, mis kindlustab maahenduse.

### Elektritööriista kasutamine ja hooldus

1. Enne toote kasutamist lugege kõiki juhiseid.
2. Viige ennast kurssi sellega, kuidas kõrgsurvepesurit ja voolusurvet kiiresti peatada. Tutvuge põhjalikult juhtseadistega.
3. Kõrgsurvepihustid võivad olla vale kasutamise korral ohtlikud. Pihustit ei tohi suunata inimeste, sisselülitatud elektriseadmete ega masina enda poole.
4. Masin ei ole ette nähtud kasutamiseks füüsiliste, sensoorsete või vaimsete puuetega isikutele (k.a lapsed) ega isikutele, kellel puuduvad kogemused ja teadmised seadme ohutuks kasutamiseks.
5. Lapsed ei tohi seadmega mängida.
6. Ärge pihustage kergsüttivaid ja/või mürgiseid vedelikke. See võib põhjustada plahvatuse, mürgistuse või masina kahjustumise.

7. Ärge suunake pihustit riiete või jalatsite puhastamiseks enda või teiste poole.
8. Kõrgsurvevoolikud, liitmikud ja ühendusmuhvid on olulised masina ohutuseks. Kasutage ainult tootja soovitatud voolikuid, liitmikke ja ühendusmuhve.
9. Järgige tarvikute vahetamise juhtnööre.
10. Hoidke käed kuivad, puhtad ning õli- ja rasvavabad.
11. Olge tähelepanelik – jälgige, mida teete.
12. Ärge kasutage toodet, kui tunnete end uimaseks või olete alkoholi või narkootikumide mõju all.
13. Ärge laske kõrgsurvepesuril töötada ilma veeta pikemalt kui ühe minuti vältel. See kahjustab mootorit, mille tulemuseks on rike.
14. Kui jätate kõrgsurvepesuri ilma valveta, lülitage alati toide ja veevarustus välja.
15. Olge ettevaatlik tagasilöögi suhtes. Kui kõrgsurve all veejuga otsakust väljub, pörkub pihustipüstol tagasi. Hoidke pihustipüstolit kindlalt, et hoida ära õnnetusjuhtumitest tulenevaid vigastusi.
16. Enne kasutamist kontrollige kahjustatud või kulunud osasid. Veenduge alati, et voolik oleks õigesti ühendatud ja töö ajal ei esineks lekkeid. Toimimist mõjutavate vigadega masina kasutamine võib põhjustada õnnetuse.
17. Masin on mõeldud kasutamiseks puhastusainega, mille tootja on kaasa andnud või soovitanud. Muude puhastusainete või kemikaalide kasutamine võib seadme ohutusele ebasoodsat mõju avaldada.
18. Ärge tõmmake survepesuri kere liigutamiseks juhet ja/või voolikut. See kahjustab juhet, voolikut ja ühenduskomponente, mille tulemuseks on lühis või toimimisviga.
19. Ärge pange voolikule raskeid esemeid ega laske sõidukitel sellest üle sõita.
20. Enne vooliku lahtiühendamist laadige jääksurve pihustipüstolis alati maha.
21. Ühendades voolikut veetoriga, järgige kohaliku veetööde osakonna või ettevõtte juhiseid.

#### Hooldus

1. Järgige juhendis toodud hooldusjuhiseid.
2. Masina ohutuse tagamiseks kasutage ainult tootja originaalvaruosasid või tootja heaks kiidetud varuosasid.
3. Laske kõrgsurvepesurit hooldada eksperdil, kes kasutab vaid identseid varuosi. Siis on kõrgsurvepesuri ohutus tagatud.
4. Juhul kui kõrgsurvepesur läheb katki või esineb rike, lülitage see viivitamatult välja ja eemaldage toitepistik. Pöörduge oma kohaliku edasimüüja või teeninduskeskuse poole.

## HOIDKE JUHEND ALLES.

**⚠️ HOIATUS:** ÄRGE UNUSTAGE järgida toote ohutusnõudeid mugavuse või toote (korduskasutamise)ga saavutatud hea tundmise tõttu.

**VALE KASUTUS** või kasutusjuhendi ohutuseeskirjade eiramine võib põhjustada tervisekahjustusi.

## FUNKTSIONAALNE KIRJELDUS

**⚠️ ETTEVAATUST:** Kandke alati hoolt selle eest, et tööriist oleks enne reguleerimist ja kontrollimist välja lülitatud ja vooluvõrgust lahti ühendatud.

### Toitelüliti

**TÄHELEPANU:** Ärge keerake toitelüliti jõuga. See võib põhjustada lüliti rikke.

#### HW1200 jaoks

► **Joon.1:** 1. Asend OFF (väljas) 2. Asend ON (sees)

Kõrgsurvepesuri sisselülitamiseks keerake toitelüliti päripäeva.

#### HW1300 jaoks

Olenevalt survetasemest keerake toitelüliti päri- või vastupäeva. Kõrge surve režiimi jaoks keerake toitelüliti päripäeva, madala surve režiimi jaoks vastupäeva.

► **Joon.2:** 1. Madala surve režiim 2. Asend OFF (väljas) 3. Kõrge surve režiim

## Otsaku funktsioonid

#### Vario-Power survepesur

► **Joon.3**

Veejooa survet saab reguleerida otsakut keerates.

**⚠️ ETTEVAATUST:** Survet reguleerides ärge pöörake otsakut samal ajal, kui seda pihustipüstoli suunas tõmbate. Otsak võib pihustipüstolilt lahti tulla ja põhjustada kehavigastusi.

#### Mustuse lõhkaja

► **Joon.4**

Väljutatakse spiraalne juga. Sobib kangekaelse mustuse eemaldamiseks.

**TÄHELEPANU:** Ärge kasutage mustuse lõhkajat puhastel õrnadel pindadel, näiteks akendel või autokerel.

#### Vahuotsak

► **Joon.5**

Puhastusvahendit saab pihustada vahuna.

## Päästiku töötamine

Veejooa väljalaskmiseks tõmmake päästikut. Pihustamine jätkub seni, kuni päästikut surutakse. Pihustipüstoli ohutuks kasutamiseks saab päästiku lukustada. Päästiku lukustamiseks tõmmake stopper välja ja kinnitage see käepidemel soone külge.

► **Joon.6:** 1. Stopper 2. Soon

**TÄHELEPANU:** Selleks et vältida mehaanilist viga survelüliti, jätke päästiku vajutamiste vahele alati kahesekundiline intervall.

## Ohutusklaap

See seade on varustatud ohutusventiiliga, mis hoiab ära lubamatu ülesurve. Kui päästik vabastatakse, ventiil avaneb ja vesi ringleb uuesti läbi pumba sisselaske.

**⚠ETTEVAATUST:** Ärge muutke ega kohandage ohutusventiili seadeid.

## Voolikurull

### Ainult HW1300 jaoks

Vooliku lahtirullimiseks võtke konksust esimesena välja vooliku ots. Voltige käepide lahti ja keerake seda päripäeva. Kõrgsurvepesurit kasutades rullige voolik alati täielikult lahti.

► **Joon.7:** 1. Voolikurull 2. Käepide 3. Vooliku ots

Vooliku hoiundamisel keerake käepidet vastupäeva ja kinnitage vooliku ots.

► **Joon.8:** 1. Konks 2. Käepide

## Veega varustamine paagist/mahutist

### Valikuline tarvik

Kraani asemel saate veega varustada paagist või mahutist.

Asendage veevooliku üleminek imivooliku komplektiga (lisavarustus). Imivooliku komplekti ühendades võtke filtri ümbris vooliku küljest lahti ja ühendage see kõrgsurvepesuril oleva sisselaskega. Seejärel ühendage voolik filtri ümbrisega.

► **Joon.9:** 1. Paak/mahuti 2. Imivooliku komplekt 3. Veevooliku üleminek 4. Voolik 5. Filtri ümbris 6. Kõrgsurvepesuri sisselase

**TÄHELEPANU:** Kasutage alati Makita imivoolikute komplekti.

**TÄHELEPANU:** Jätke kõrgsurvepesuri sisselaske ja veepinna vahele alati 1,0 m (3,28 jalga) või vähem ruumi. Muidu ei saa kõrgsurvepesur vett pumpa võtta.

Selleks, et vesi pääseks voolikusse, eemaldage otsak pihustipüstoli küljest ja lülitage kõrgsurvepesur sisse sel ajal, kui päästikut surutakse. Kui vesi väljub pihustipüstolist ühtlaselt, vabastage päästik ja kinnitage vajalik otsak.

► **Joon.10:** 1. Pihustipüstol

**MÄRKUS:** Kui vesi ei välju, võtke imivooliku komplekt küljest ja leotage seda vees. Seejärel ühendage see uuesti kõrgsurvepesuriga.

► **Joon.11:** 1. Imivooliku komplekt

## KOKKUPANEK

**⚠ETTEVAATUST:** Enne tööriistal mingite tööde tegemist kandke alati hoolt selle eest, et see oleks välja lülitatud ja vooluvõrgust lahti ühendatud.

## Kandmiskäepideme kokkupanek

### Ainult HW1200 jaoks

1. Ühendage käepideme esimene ja tagumine pool, paigutades kruviaugud kõrgsurvepesuri kerel kohakuti.

► **Joon.12:** 1. Käepideme esimene pool  
2. Käepideme tagumine pool  
3. Kõrgsurvepesuri kere

2. Kinnitage kandmiskäepide kruvidega (7 tk).

► **Joon.13**

## Kõrgsurvevooliku ühendamine

### Ainult HW1200 jaoks

Ühendage kõrgsurvevoolik väljalaskega (püstoli märgiga). Keerake kõrgsurvevoolikule olevat mutrit päripäeva, samal ajal seda väljalaske kruvikeermesse keerates.

► **Joon.14:** 1. Väljalase 2. Mutter

**⚠ETTEVAATUST:** Veenduge, et kõrgsurvevoolik oleks kindlalt ühendatud. Lõdva kinnituse tõttu võib kõrgsurvevoolik lahti tulla ja põhjustada kehavigastusi.

## Pihustipüstoli kinnitamine

Ühendage kõrgsurvevoolik pihustipüstolile oleva sisselaskega. Keerake kõrgsurvevoolikule olevat mutrit päripäeva, samal ajal seda sisselaske kruvikeermesse keerates.

► **Joon.15:** 1. Sisselase 2. Mutter

**⚠ETTEVAATUST:** Veenduge, et kõrgsurvevoolik oleks kindlalt ühendatud. Lõdva kinnituse tõttu võib kõrgsurvevoolik lahti tulla ja põhjustada kehavigastusi.

## Kraani ühendamine

**⚠ETTEVAATUST:** Kasutage võimalikult survekindlat veevoolikut, mille läbimõõt on  $\geq 13$  mm või üle selle ja ühendage see kraaniga õigeid liitmikke kasutades. Muidu võib veevoolik ja/või liitmik puruneda ja põhjustada kehavigastusi.

**TÄHELEPANU:** Kasutage võimalikult lühikest survekindlat veevoolikut. Siseneva vee kogus peaks olema suurem kui pumba maksimaalne toitemaht.

**TÄHELEPANU:** Kui ühendate joogivee tarbeks veevõrguga, kasutage teie piirkonna eeskirjadele vastavat tagasisivooluklappi.

Valmistage ette survekindel veevoolik. Kinnitage ühendusmuhv ühte otsa, teine ots ühendage kraaniga.

1. Eemaldage ühendusmuhvil olev mutter ja viige survekindel veevoolik läbi mutri. Sisestage vooliku ots ühendusmuhvi ja seejärel pingutage mutter.

► **Joon.16:** 1. Survekindel veevoolik 2. Ühendusmuhvi mutter 3. Ühendusmuhv

**MÄRKUS:** Kui ühendate survekindla veevooliku ühendusmuhvi abil kraaniga, kinnitage teine ühendusmuhv vooliku teise otsa.

- Ühendage survekindel veevoolik kraaniga. Kasutage vooliku otsa kraani külge kinnitamiseks sobivat liitmikku, näiteks voolikusidet või veekraani liigendit.
- **Joon.17:** 1. Voolikurihm 2. Veekraani liigend 3. Survekindel veevoolik

**MÄRKUS:** Liitmik sõltub selle kraani kujust, millega te ühendate. Valmistage ette sobiv kaubandusest ostetud liitmik.

- Kinnitage veevooliku üleminek sisselaskega (kraani märgiga) ja seejärel sisestage ühendusmuhv.
- **Joon.18:** 1. Ühendusmuhv 2. Veevooliku üleminek 3. Sisselase

## Otsaku ühendamine / lahti ühendamine

**⚠ETTEVAATUST:** Otsakut ühendades / lahti ühendades lukustage alati päästik.

Sisestage otsaku ots pihustipüstolil olevasse pilusse ja pöörake seda noolte suunas nii, nagu on näidatud joonisel. Lahtiühendamiseks pöörake otsakut vastupidises suunas, surudes seda samal ajal pihustipüstoli suunas.

► **Joon.19:** 1. Pihustipüstol 2. Pilu 3. Otsaku ots

Mõned lisaotsakud vajavad pihustipüstoli kinnitamiseks ühendusliigendit (lisavarustus). Kinnitage ühendusliigend pihustipüstoli külge samal viisil nagu otsak.

► **Joon.20:** 1. Otsak 2. Ühendusliigend 3. Pihustipüstol

**MÄRKUS:** Ühendusliigendit on tarvis, kui kasutate otsakuid, mis on kaasas teise mudeliga, HW112 või HW121.

## Vahuotsaku ühendamine

**⚠ETTEVAATUST:** Otsakut ühendades / lahti ühendades lukustage alati päästik.

Valmistage puhastusaine ette enne vahuotsaku kasutamist.

- Eemaldage otsak paagist, pöörates otsakut vastu päeva. Kinnitage otsak pihustipüstoliga.
- **Joon.21:** 1. Otsak 2. Pihustipüstol
- Kallake puhastusaine paaki ja paigaldage see otsaku külge.
- **Joon.22:** 1. Paak

**TÄHELEPANU:** Kasutage alati neutraalset puhastusainet. Happeline või aluseline puhastusaine võib paaki või otsakut kahjustada.

## TÖÖRIISTA KASUTAMINE

**⚠HOIATUS:** Ärge puudutage veejuga ega suunake seda enda või teiste poole. Veejuga on ohtlik ja võib teile või teistele viga teha.

**⚠HOIATUS:** Veejuga lastes ärge kunagi hoidke puhastatavat eset käes ega pange oma käsi ja jalgu veejoa lähedusse.

**⚠ETTEVAATUST:** Olge valvas veejoga tagasilöögi ja lendavate esemete suhtes. Ärge tooge otsakut lähemale kui 30 cm.

**⚠ETTEVAATUST:** Ärge laske kõrgsurvepesuril töötada ilma veeta pikemalt kui 1 minuti vältel.

**⚠ETTEVAATUST:** Ärge kasutage kõrgsurvepesurit pikema aja vältel. See võib põhjustada ülekuumenemise või tulekahju. Pikaajaline kasutamine võib põhjustada ka vibratsioonihaiget.

**⚠ETTEVAATUST:** Jälgige tuule suunda. Kui puhastusaine satub silma või suhu, loputage viivitamatult puhta veega ja vajaduse korral pöörduge arsti poole.

**TÄHELEPANU:** Vältige kõrgsurvepesuri kasutamist pikemalt kui 1 tund. Pärast 1-tunnist kasutamist jätke sama pikk paus.

- Ühendage kõrgsurvevooliku ots pihustipüstoliga. Mudeli HW1200 puhul ühendage teine ots kõrgsurvepesuriga. Mudeli HW1300 puhul rullige voolik lõpuni lahti.
  - Ühendage kõrgsurvepesur kraaniga ja seejärel avage kraan.
- **Joon.23**

**TÄHELEPANU:** Kõrgsurvepesuri mehhanismi kaitsmiseks ärge kasutage vett, mille temperatuur on üle 40 °C.

- Ühendage kõrgsurvepesur pistikupessa ja lülitage sisse.
- **Joon.24:** 1. Toitelüliti
- Veejoga väljutamiseks avage stopper ja suruge päästikut. Pihustamine jätkub seni, kuni päästikut surutakse.
- **Joon.25:** 1. Stopper

**⚠ETTEVAATUST:** Hoidke pihustipüstolit kindlalt. Pihustipüstol pörkab päästiku tõmbamisel tagasi.

**⚠ETTEVAATUST:** Puhastamise ajal hoidke pihustipüstolit alati käepidemest ja torust. Sel ajal kui mootor töötab, ärge puudutage ühtki kõrgsurvepesuri kere osa peale kandmiskäepideme ja toitelüliti.

**TÄHELEPANU:** Ärge tõmmake pihustipüstolit kasutamise ajal jõuga. See võib põhjustada kõrgsurvepesuri ümberkukkumise.

## Pärast kasutamist

**⚠ETTEVAATUST:** Pärast kasutamist tehke alati juhendis kirjeldatud toimingud. Pihustipüstolis või kõrgsurvepesuris olev jääksurve võib tekitada inimestele kehavigastusi või sees olevale pumbale kahjustusi.

1. Pärast kasutamist jätke toitelüliti sisse.
2. Sulgege kraan ja ühendage veevoolik kõrgsurvepesurist lahti.  
▶ **Joon.26**
3. Suruge päästikut, kuni järelejäänud vesi kõrgsurvepesurist väljutatakse.  
Ärge laske mootoril töötada pikemalt kui 1 minuti vältel.  
▶ **Joon.27**
4. Lülitage kõrgsurvepesur välja ja eemaldage see pistikupesast.  
▶ **Joon.28:** 1. Toitelüliti
5. Ühendage kõrgsurvevoolik pihustipüstolist lahti.  
▶ **Joon.29:** 1. Pihustipüstol 2. Kõrgsurvevoolik

Modeli HW1200 puhul ühendage ka kõrgsurvevoolik kõrgsurvepesurist lahti.  
▶ **Joon.30:** 1. Kõrgsurvevoolik

Modeli HW1300 puhul rullige voolik kokku ja kinnitage selle ots.  
▶ **Joon.31:** 1. Konks 2. Käepide

**TÄHELEPANU:** Kõrgsurvevooliku kahjustumise vältimiseks eemaldage enne selle hoiule panemist voolikust vesi.

## HOOLDAMINE JA HOIUSTAMINE

**⚠ETTEVAATUST:** Enne kontroll- või hooldustoimingute tegemist kandke alati hoolt selle eest, et tööriist oleks välja lülitatud ja vooluvõrgust lahti ühendatud.

**TÄHELEPANU:** Ärge kunagi kasutage bensiini, vedeldit, alkoholi ega midagi muud sarnast. Selle tulemuseks võib olla luitumine, deformatsioon või pragunemine.

## Otsaku puhastamine

Kasutage otsakust mustuse või ummistuse eemaldamiseks puhastusnõela.  
▶ **Joon.32:** 1. Puhastusnõel

**TÄHELEPANU:** Ärge eemaldage mustust või prahti jõuga. Selle tulemuseks võivad olla kehavigastused või väljumisava kahjustused, mis põhjustab joa suuna kõrvalekaldumist või kehva toimimist.

## Filtri puhastamine

Ühendage veevooliku ülemineku lahti ning eemaldage mustus ja praht filtri seest.

- ▶ **Joon.33:** 1. Veevooliku ülemineku 2. Filter  
3. Tihendrõngas

Imivooliku komplekti kasutades (lisavarustus) võtke filtri korpuselt välja ning eemaldage mustus ja praht.  
▶ **Joon.34:** 1. Filter 2. Filtri ümbris

**MÄRKUS:** Optimaalse tööviime tagamiseks puhastage filtreid perioodiliselt.

## Hoiundamine

Rullige voolik ja juhe kokku. Pange pihustipüstol ja otsakud taskutesse.

**HW1200**  
▶ **Joon.35**

**HW1300**  
▶ **Joon.36**

**⚠ETTEVAATUST:** Hoiundage alati siseruumides, kus temperatuur ei lange alla külmumispiiri. Kui kõrgsurvepesur külmub ja läheb rikki, võtke remondi asjus ühendust kohaliku teeninduskeskusega.

**⚠ETTEVAATUST:** Kasutage kõrgsurvepesurit kandes alati kandmiskäepidet. Ärge kandke seda voolikust või juhtmest kinni hoides. Voolik või juhe võib kahjustada saada.

**⚠ETTEVAATUST:** Ärge kandke kõrgsurvepesurit, kui voolik ja/või juhe on kokku rullimata. Väljavenitatud voolik või juhe võib kahjustada saada või takerduda muude esemete taha, mille tulemuseks on kehavigastused või katkimine.

Toote OHUTUSE ja TÖÖKINDLUSE tagamiseks tuleb vajalikud remonttööd ning muud hooldus- ja reguleerimistööd lasta teha Makita volitatud teeninduskeskustes või tehase teeninduskeskustes. Alati tuleb kasutada Makita varuosi.

# VEAOTSING

Enne remonditöökotta pöördumist kontrollige niidukit ise. Ärge üritage niidukit lahti võtta, kui leiata probleemi, mida kasutusjuhendis ei kirjeldata. Selle asemel pöörduge Makita volitatud teeninduskeskusesse, kus kasutatakse remon-  
timisel alati Makita tagavaraosi.

Tõrge	Võimalik põhjus (riike)	Lahendus
Pesur ei käivitu.	Elektrit ei ole	Ühendage pistik vooluvõrguga. Kontrollige, kas vooluvõrgus on toide.
	Lüliti ei ole sisse lülitatud.	Lülitage lüliti välja.
	Pumba jääkrõhk	Tõmmake päästikut.
	Kahjustatud juhe või vooluahel	Võtke parandustööde asjus ühendust volitatud teeninduskeskusega.
Veejuga puudub / veejuga on nõrk	Veevarustus puudub	Veenduge, et kraan oleks avatud. Kui kasutate imivooliku komplekti, juhtige vesi voolikusse.
	Kehv veevarustus	Keerake kraan lahti.
	Kehv veevooliku ühendus	Kontrollige ühendust veevooliku ja kraani ning kõrgsurvepesuri sisselaske vahel.
	Ummistunud voolik, filter või otsak	Eemaldage voolikust ummistus, filter või otsak.
	Õhk blokeerib veevoolu.	Lülitage lüliti välja ja seejärel uuesti sisse, samal ajal päästikut surudes.
	Kahjustatud või kulunud otsak	Asendage otsak.
	Pumba või ventiili riike	Võtke parandustööde asjus ühendust volitatud teeninduskeskusega.
Ebastabiilne veejuga.	Ummistunud otsak	Eemaldage puhastusnõela abil ummistus otsaku väljalaskeavast.
	Kehv veememine	Kontrollige kraanist algavat veevoolikut lekete ja ummistuste suhtes. Keerake kraan lahti.
	Vesi on liiga kuum.	Varustage jahedama veega.
	Ventiili riike	Võtke parandustööde asjus ühendust volitatud teeninduskeskusega.
Ebaharilik heli.	Vesi on liiga kuum.	Varustage jahedama veega.
	Õhk on pumbas kinni.	Võtke parandustööde asjus ühendust volitatud teeninduskeskusega.
Vee-/õlileke.	Kehv ühendus	Kontrollige kõrgsurvevooliku ja puhustipüstoli ning kõrgsurvepesuri vahelist ühendust.
	Kulunud tihendid	Võtke parandustööde asjus ühendust volitatud teeninduskeskusega.
Pump ei tööta, kuigi kuulete mootori häält.	Ebasobiv pikendusjuhe.	Kasutage pikendusjuhet, mis sobib toote nimiaandmetega.

# VALIKULISED TARVIKUD

**⚠ETTEVAATUST:** Neid tarvikuid ja lisaseadiseid on soovitatav kasutada koos Makita tööriistaga, mille kasutamist selles kasutusjuhendis kirjeldatakse. Muude tarvikute ja lisaseadiste kasutamisega kaasneb vigastada saamise oht. Kasutage tarvikuid ja lisaseadiseid ainult otstarbekohaselt.

Saate vajaduse korral kohalikust Makita teeninduskeskusest lisateavet nende tarvikute kohta.

**MÄRKUS:** Mõned nimekirjas loetletud tarvikud võivad kuuluda standardvarustusse ning need on lisatud tööriista pakendisse. Need võivad riigiti erineda.

## Pihustutoru

► Joon.37

Joa laiust saab reguleerida vahemikus 0° kuni 25°, pöörates otsaku esimest otsa.

**⚠ETTEVAATUST:** Joa laiust reguleerides ärge pöörake otsakut samal ajal, kui tõmbate seda pihustipüstoli suunas. Otsak võib pihustipüstolilt lahti tulla ja põhjustada kehavigastusi.

## Pesemishari (pikk)

► Joon.38

Harjaga varustatud otsak. Kasulik mustuse väljapeseamiseks, samal ajal harjaga hõõrudes.

## Imivooliku komplekt

► Joon.39

Asendage veevoolik selle komplektiga, et varustada veega paagist või mahutist.

## Pöörlev pesemishari

► Joon.40

Kolm sees olevat harja pöörlevad aeglaselt sel ajal, kui juga väljutatakse. Sobib kerge mustuse eemaldamiseks välisseinalt, autokerelt, vannilt jne.

## Torupikendus

► Joon.41

Torud pihustipüstolile pikkuse lisamiseks. Saadaval on kolm erinevat pikkust, kui muudate kasutatavate torude arvu.

## Kerealune pihustitoru

► Joon.42

Eriti pikk pihustitoru, nurgaga otsakuga. Parim raskesti ligipääsetavate piirkondade, näiteks autokere alumise osa ja katuserenni puhastamiseks.

**⚠ETTEVAATUST:** Ärge kasutage kerealust pihustitoru koos torupikendusega.

## Pritsmekaitse

► Joon.43

Vähendab tagasipritsimist, kui puhastate nurkasid mustuselõhkajaga.

## Pöördliigend

► Joon.44

Hoiab ära kõrgsurvevooliku väändumise.

## Ühendusliigend

► Joon.45

Liigend, mille saab ühendada teise mudeli otsakuga.

**MÄRKUS:** Ühendusliigendit on tarvis, kui kasutate otsakuid, mis on kaasas teise mudeliga, HW112 või HW121.

## Torupuhastuskomplekt (10 m / 15 m)

► Joon.46

Torustiku ja vihmaveetorude puhastamiseks ja ummistuste eemaldamiseks.

**⚠ETTEVAATUST:** Torupuhastuskomplekti kasutades pöörake erilist tähelepanu veejoale. Üliintensiivne veejuga väljutatakse tagurpidi.

## Pikendamiseks mõeldud kõrgsurvevoolik (5 m / 8 m / 10 m)

► Joon.47

Pikendusvoolik kõrgsurvepesuri kere ühendamiseks pihustipüstoliga.

## ОСТОРОЖНО

- Устройствами не должны пользоваться дети. Следите за маленькими детьми, чтобы они не использовали устройство в качестве игрушки.
- Это устройство не предназначено для использования лицами (включая детей) с ограниченными физическими, сенсорными или умственными способностями, а также не имеющими надлежащего опыта и знаний.
- При эксплуатации данного устройства необходимо использовать поставляемое или рекомендованное производителем чистящее средство. Применение других чистящих средств или химикатов может негативно отразиться на безопасности устройства.
- Струи воды высокого давления могут представлять опасность при ненадлежащем использовании. Запрещается направлять струю на людей, находящееся под напряжением электрооборудование и само устройство.
- Запрещается использовать устройство рядом с людьми, не облаченными в защитную одежду.
- Не направляйте струю на себя или других людей с целью очистить одежду или обувь.
- Риск взрыва – не распыляйте легковоспламеняющиеся жидкости.
- Очистителями высокого давления не должны пользоваться дети или необученный персонал.
- Шланги, фитинги и муфты высокого давления играют важную роль в обеспечении безопасности устройства. Используйте только рекомендованные производителем шланги, фитинги и муфты.
- Чтобы обеспечить безопасность устройства, необходимо использовать только оригинальные или одобренные производителем запасные части.
- Перед проведением каких-либо работ с инструментом обязательно проверяйте, что инструмент выключен, а шнур питания вынут из розетки.



- Не используйте устройство в случае повреждения шнура питания или важных компонентов, например, предохранительных устройств, шлангов высокого давления, пистолета.
- Неподходящие удлинительные шнуры могут представлять опасность. При использовании удлинительного шнура необходимо убедиться, что он подходит для применения вне помещений. Кроме того, требуется следить за тем, чтобы соединение было сухим и находилось над поверхностью земли. Для соблюдения этих требований рекомендуется использовать намотанный на катушку шнур, который держит разъем на расстоянии как минимум 60 мм над землей.
- Обязательно переводите главный выключатель в отключенное положение, если собираетесь оставить устройство без присмотра.
- Сj,k.lfqnt nht,jdfybzСоблюдайте требования местной компании по водоснабжению.
- Для европейских стран:  
Согласно EN12729 (BA), прибор также может быть подключен к магистрали питьевой воды, если в шланг подачи установлен обратный клапан с устройством слива.

## ТЕХНИЧЕСКИЕ ХАРАКТЕРИСТИКИ

Модель:	HW1200	HW1300
Макс. объем подачи	7,0 л/мин	7,5 л/мин
Расход воды	5,5 л/мин	6,0 л/мин
Макс. допустимое давление	12 МПа (120 бар)	13 МПа (130 бар)
Рабочее давление	Режим высокого давления	11 МПа (110 бар)
	Режим низкого давления	-
Макс. давление подачи	1 МПа (10 бар)	
Макс. температура подачи	40 °С	
Макс. высота всасывания	1,0 м	
Размеры (Д x Ш x В)	292 мм x 358 мм x 830 мм	
Масса	11,0 кг	12,7 кг
Защита двигателя	IPX5	

- Благодаря нашей постоянно действующей программе исследований и разработок указанные здесь технические характеристики могут быть изменены без предварительного уведомления.
- Технические характеристики могут различаться в зависимости от страны.
- Масса в соответствии с процедурой EPTA 01/2003

## Символы

Ниже приведены символы, используемые для обозначения. Перед использованием убедитесь, что вы понимаете их значение.



Прочитайте руководство по эксплуатации.



Обратите особое внимание.



ДВОЙНАЯ ИЗОЛЯЦИЯ



Только для стран ЕС  
Не выбрасывайте электрическое оборудование вместе с обычным мусором! В рамках соблюдения Европейской Директивы по утилизации электрического и электронного оборудования и ее применения в соответствии с национальным законодательством, электрооборудование в конце срока своей службы должно утилизироваться отдельно и передаваться для утилизации на предприятие, соответствующее применяемым правилам охраны окружающей среды.



Запрещается направлять струю на себя, окружающих людей, животных и находящееся под напряжением электрооборудование.



Не подходит для подключения к водопроводным магистралям питьевой воды.

## Назначение

Этот инструмент предназначен для удаления сложно выводимой грязи с помощью струи воды. Этот инструмент предназначен для домашнего использования.

## Источник питания

Данный инструмент должен подключаться к источнику питания с напряжением, соответствующим напряжению, указанному на идентификационной пластине, и может работать только от однофазного источника переменного тока. Он имеет двойную изоляцию и поэтому может подключаться к розеткам без заземления.

## Для низковольтных систем общего пользования напряжением от 220 до 250 В.

Включение электрического устройства приводит к колебаниям напряжения. Использование данного устройства в неблагоприятных условиях электропитания может оказывать негативное влияние на работу другого оборудования. Если полное сопротивление в сети питания равно или менее 0,25 Ом, можно предполагать, что данный инструмент не будет оказывать негативного влияния. Сетевая розетка, используемая для данного инструмента, должна быть защищена предохранителем или прерывателем цепи с медленным размыканием.

## Шум

Типичный уровень взвешенного звукового давления (A), измеренный в соответствии с EN60335-2-79:

### Модель HW1200

Уровень звукового давления ( $L_{pA}$ ): 72 дБ (A)  
Погрешность (K): 3,8 дБ (A)

### Модель HW1300

Уровень звукового давления ( $L_{pA}$ ): 76 дБ (A)  
Погрешность (K): 2,4 дБ (A)

Уровень шума при выполнении работ может превышать 80 дБ (A).

**▲ОСТОРОЖНО: Используйте средства защиты слуха.**

## Вибрация

Суммарное значение вибрации (сумма векторов по трем осям), определенное в соответствии с EN60335-2-79:

### Модель HW1200

Распространение вибрации ( $a_n$ ): 4,11 м/с<sup>2</sup>  
Погрешность (K): 1,5 м/с<sup>2</sup>

### Модель HW1300

Распространение вибрации ( $a_n$ ): 4,86 м/с<sup>2</sup>  
Погрешность (K): 1,5 м/с<sup>2</sup>

**ПРИМЕЧАНИЕ:** Заявленное значение распространения вибрации измерено в соответствии со стандартной методикой испытаний и может быть использовано для сравнения инструментов.

**ПРИМЕЧАНИЕ:** Заявленное значение распространения вибрации можно также использовать для предварительных оценок воздействия.

**▲ОСТОРОЖНО:** Распространение вибрации во время фактического использования электроинструмента может отличаться от заявленного значения в зависимости от способа применения инструмента.

**▲ОСТОРОЖНО:** Обязательно определите меры безопасности для защиты оператора, основанные на оценке воздействия в реальных условиях использования (с учетом всех этапов рабочего цикла, таких как выключение инструмента, работа без нагрузки и включение).

## Декларация о соответствии ЕС

*Только для европейских стран*

Декларация о соответствии ЕС включена в руководство по эксплуатации (Приложение А).

# МЕРЫ БЕЗОПАСНОСТИ

**⚠ ОСТОРОЖНО:** Ознакомьтесь со всеми инструкциями и рекомендациями по технике безопасности. Невыполнение инструкций и рекомендаций может привести к поражению электротоком, пожару и/или тяжелым травмам.

## Сохраните брошюру с инструкциями и рекомендациями для дальнейшего использования.

### Безопасность в месте выполнения работ

1. Не допускайте посторонних лиц в зону проведения работ.
2. Не старайтесь дотянуться до чего-либо и не вставайте на неустойчивые опоры. Всегда сохраняйте устойчивое положение и равновесие.
3. Корпус водоструйного аппарата высокого давления требуется размещать на ровной и устойчивой поверхности. Не используйте устройство на участках, где отработанная вода может растекаться или скапливаться.
4. Перед выполнением работ с помощью устройства необходимо проводить осмотр подлежащих очистке предметов и пространства вокруг них. Струи высокого давления могут повредить краску или другие типы покрытия, включая содержащие токсичные химикаты. При необходимости примите меры предосторожности.
5. Соблюдайте осторожность, чтобы не споткнуться о провод или шнур водоструйного аппарата высокого давления. При эксплуатации устройства необходимо принимать во внимание конфигурацию провода и шланга.
6. Во время работы водоструйного аппарата высокого давления из его нижней части будет вытекать небольшое количество воды. Не размещайте водоструйный аппарат высокого давления на участках, которые вы хотите защитить от намокания.

### Личная безопасность

1. Для защиты от струй и отбрасываемых ими предметов операторы должны надевать отвечающую соответствующим требованиям одежду, например, защитную обувь, защитные каски со смотровыми щитками, средства защиты органов слуха и т. п.
2. Не используйте водоструйный аппарат высокого давления рядом с людьми, не облаченными в защитную одежду.
3. Для снижения риска нанесения травмы необходимо соблюдать особую осторожность при эксплуатации устройства рядом с детьми.
4. Вода, прошедшая через обратный клапан не пригодна для питья.

### Электробезопасность

1. Запрещается использовать водоструйный аппарат высокого давления вне помещения во время дождя.

2. Запрещается прикасаться к электрической вилке и/или розетке мокрыми руками.
3. Не используйте устройство в случае повреждения шнура питания или важных компонентов, например, предохранительных устройств, шлангов высокого давления или пистолета.
4. Вилка должна подходить к розетке. Запрещается вносить какие-либо изменения в конструкцию вилки. При работе с инструментами с заземлением запрещается использовать переходники. Использование немодифицированных розетки и вилки снижает риск поражения электрическим током.
5. Неподходящие удлинительные шнуры могут представлять опасность. При использовании удлинительного шнура необходимо убедиться, что он подходит для применения вне помещений. Кроме того, требуется следить за тем, чтобы соединение было сухим и находилось над поверхностью земли. Для соблюдения этих требований рекомендуется использовать намотанный на катушку шнур, который держит разъем на расстоянии как минимум 60 мм над землей.
6. При использовании удлинительных шнуров необходимо соблюдать следующие требования:
  - Обязательно пользоваться только подходящими для применения вне помещений удлинительными шнурами.
  - Требуется использовать только те удлинительные шнуры, рабочая мощность которых равна мощности устройства или превышает ее.
  - Не используйте поврежденные удлинительные шнуры.
  - Проводите осмотр удлинительных шнуров перед эксплуатацией и заменяйте их в случае наличия повреждений.
  - Обращайтесь с удлинительными шнурами аккуратно и не выдергивайте их слишком резко.
  - Располагайте шнуры на расстоянии от источников тепла и острых краев.
  - Обязательно вытаскивайте удлинительный шнур из штепсельной розетки перед тем, как отсоединить его от устройства.
7. Подключение к источнику питания должно выполняться квалифицированным электриком и соответствовать требованиям стандарта IEC 60364-1. Мы рекомендуем включать в цепь питания данного изделия устройство, срабатывающее от остаточного тока, которое в течение 30 мс прекратит подачу питания при превышении показателем утечки тока на землю значения 30 мА, или устройство проверки заземляющего контура.

### Эксплуатация и обслуживание электроинструмента

1. Прочитайте все инструкции перед эксплуатацией устройства.

2. Ознакомьтесь со способами быстрой остановки водоструйного аппарата высокого давления или сброса давления. Внимательно изучите органы управления.
  3. Струи высокого давления могут представлять опасность при ненадлежащем использовании. Запрещается направлять струю на людей, находящиеся под напряжением электрооборудование и само устройство.
  4. Это устройство не предназначено для использования лицами (включая детей) с ограниченными физическими, сенсорными или умственными способностями, а также не имеющими надлежащего опыта и знаний.
  5. Следите за маленькими детьми, чтобы они не использовали устройство в качестве игрушки.
  6. Не распыляйте легковоспламеняющиеся и/или токсичные жидкости. Невыполнение этого требования может привести к взрыву, а также стать причиной отравления персонала или повреждения устройства.
  7. Не направляйте струю на себя или других людей с целью очистить одежду или обувь.
  8. Шланги, фитинги и муфты высокого давления играют важную роль в обеспечении безопасности устройства. Используйте только рекомендованные производителем шланги, фитинги и муфты.
  9. Соблюдайте инструкции при смене насадок.
  10. Ручки инструмента всегда должны быть сухими и чистыми; на них не должно быть масла или смазки.
  11. Будьте бдительны – следите за тем, что вы делаете.
  12. Не используйте устройство в состоянии алкогольного или наркотического опьянения.
  13. Не держите водоструйный аппарат высокого давления включенным дольше одной минуты, если в нем нет воды. Невыполнение этого требования станет причиной поломки двигателя, что, в свою очередь, приведет к невозможности дальнейшей эксплуатации устройства.
  14. Обязательно отключайте подачу питания и воды, если оставляете водоструйный аппарат высокого давления без присмотра.
  15. Не забывайте об отдаче. Пистолет обладает отдачей при выпуске струи высокого давления из насадки. Крепко удерживайте пистолет, чтобы не допустить нанесения травм по неосторожности.
  16. Проверьте устройство на наличие поврежденных или изношенных компонентов перед использованием. Кроме того, необходимо убедиться, что шланг подсоединен должным образом, а во время работы не возникает утечек. Использование устройства, обладающего функциональными дефектами, может привести к несчастному случаю.
  17. При эксплуатации данного устройства необходимо использовать поставляемое или рекомендованное производителем чистящее средство. Применение других чистящих средств или химикатов может негативно отразиться на безопасности устройства.
  18. Не тяните за шнур и/или шланг, чтобы перевернуть водоструйный аппарат высокого давления. Невыполнение этого требования приведет к повреждению шнура, шланга и соединительных деталей, а также станет причиной короткого замыкания или появления функциональных дефектов.
  19. Не кладите тяжелые предметы на шланг и не давайте транспортным средствам переезжать его.
  20. Обязательно сбрасывайте остаточное давление в пистолете перед отсоединением шланга.
  21. При подсоединении шланга к водопроводу следуйте инструкциям местной инстанции, занимающейся водоснабжением (будь то подразделение или компания).
- Сервисное обслуживание**
1. Следуйте инструкциям по техническому обслуживанию, приведенным в данном руководстве.
  2. Чтобы обеспечить безопасность устройства, необходимо использовать только оригинальные или одобренные производителем запасные части.
  3. Обслуживание водоструйного аппарата высокого давления должно проводиться только квалифицированным специалистом по ремонту и только с использованием идентичных заменяемым запасных частей. Это позволит обеспечить безопасность водоструйного аппарата высокого давления.
  4. В случае поломки или неисправности водоструйного аппарата высокого давления необходимо немедленно отключить его и вытащить вилку из розетки. Обратитесь в местный дилерский или сервисный центр.

## СОХРАНИТЕ ДАННЫЕ ИНСТРУКЦИИ.

**▲ОСТОРОЖНО:** НЕ ДОПУСКАЙТЕ, чтобы удобство или опыт эксплуатации данного устройства (полученный от многократного использования) доминировали над строгим соблюдением правил техники безопасности при обращении с этим устройством.

**НЕПРАВИЛЬНОЕ ИСПОЛЬЗОВАНИЕ** инструмента или несоблюдение правил техники безопасности, указанных в данном руководстве, может привести к тяжелой травме.

## ОПИСАНИЕ РАБОТЫ

**⚠ ВНИМАНИЕ:** Перед регулировкой или проверкой функций инструмента обязательно убедитесь, что он выключен и его вилка вынута из розетки.

### Переключатель питания

**ПРИМЕЧАНИЕ:** Не прилагайте повышенных усилий при взаимодействии с переключателем питания. Невыполнение этого требования может привести к его поломке.

Для модели HW1200

► Рис.1: 1. Положение OFF (Выкл.) 2. Положение ON (Вкл.)

Поверните переключатель питания по часовой стрелке, чтобы включить водоструйный аппарат высокого давления.

Для модели HW1300

В зависимости от уровня давления поверните переключатель питания по часовой стрелке или против часовой стрелки. Поверните переключатель питания по часовой стрелке, чтобы включить режим высокого давления или против часовой стрелки, чтобы активировать режим низкого давления.

► Рис.2: 1. Режим низкого давления 2. Положение OFF (Выкл.) 3. Режим высокого давления

### Функции насадки

Распылитель с регулируемой мощностью

► Рис.3

Давление струи можно отрегулировать путем поворота насадки.

**⚠ ВНИМАНИЕ:** При регулировании давления струи запрещается вращать насадку, смещая ее в направлении пистолета. Несоблюдение этого требования может привести к отсоединению насадки от пистолета и стать причиной нанесения травмы.

Грязевая фреза

► Рис.4

Выпускается спиральная струя. Подходит для удаления сложной выводимой грязи.

**ПРИМЕЧАНИЕ:** Не применяйте грязевую фрезу для очистки легкоповреждаемых поверхностей, таких как окна или кузова автомобилей.

Пенная насадка

► Рис.5

Возможно распыление очищающего средства в виде пены.

## Эксплуатация триггерного переключателя

Нажмите на триггерный переключатель, чтобы заставить устройство выпустить струю. Струя продолжает выпускаться, пока вы удерживаете триггерный переключатель в нажатом положении.

Триггерный переключатель можно заблокировать для предотвращения активации пистолета в целях обеспечения безопасности. Чтобы заблокировать триггерный переключатель, вытяните стопор и зафиксируйте его в пазу на рукоятке.

► Рис.6: 1. Стопор 2. Паз

**ПРИМЕЧАНИЕ:** Чтобы предотвратить механические ошибки переключателя давления, необходимо оставлять двухсекундный интервал между всеми манипуляциями с триггерным переключателем.

## Предохранительный клапан

Данное устройство снабжено предохранительным клапаном, предотвращающим несвоевременное возникновение избыточного давления. Когда вы отпускаете триггерный переключатель, этот клапан открывается, и происходит рециркуляция воды через входное отверстие насоса.

**⚠ ВНИМАНИЕ:** Запрещается изменять или регулировать настройки предохранительного клапана.

## Катушка со шлангом

Только для модели HW1300

Чтобы размотать шланг, необходимо сначала извлечь его конец из фиксатора. Разложите рукоятку и поверните ее по часовой стрелке. При эксплуатации водоструйного аппарата высокого давления необходимо разматывать весь шланг.

► Рис.7: 1. Катушка со шлангом 2. Рукоятка 3. Конец шланга

Для хранения шланга требуется повернуть рукоятку против часовой стрелки и закрепить конец шланга.

► Рис.8: 1. Фиксатор 2. Рукоятка

## Подача воды из бака/резервуара

Дополнительные принадлежности

Вы можете подавать воду не из водопроводного крана, а из бака или резервуара.

Замените соединитель водяного шланга набором с всасывающим шлангом (опциональный аксессуар). При подключении набора с всасывающим шлангом вам потребуется отсоединить шланг от корпуса фильтра и прикрепить этот шланг к входному отверстию водоструйного аппарата высокого давления. После этого подключите шланг к корпусу фильтра.

► Рис.9: 1. Бак/резервуар 2. Набор с всасывающим шлангом 3. Соединитель водяного шланга 4. Шланг 5. Корпус фильтра 6. Входное отверстие водоструйного аппарата высокого давления

**ПРИМЕЧАНИЕ:** Используйте только наборы с всасывающим шлангом от Makita.

**ПРИМЕЧАНИЕ:** Высота от входного отверстия водоструйного аппарата высокого давления до поверхности воды должна составлять не более 1,0 м (3,28 футов). В противном случае насос водоструйного аппарата высокого давления не сможет всасывать воду.

Чтобы начать подачу воды в шланг, снимите насадку с пистолета и включите водоструйный аппарат высокого давления, сжимая при этом триггерный переключатель. Когда вода начнет стабильно выпускаться из пистолета, отпустите триггерный переключатель и установите нужную вам насадку.

► **Рис.10:** 1. Пистолет

**ПРИМЕЧАНИЕ:** Если вода не выпускается, отсоедините набор с всасывающим шлангом и погрузите его в воду. После этого снова присоедините его водоструйному аппарату высокого давления.

► **Рис.11:** 1. Набор с всасывающим шлангом

## СБОРКА

**ВНИМАНИЕ:** Перед проведением каких-либо работ с инструментом обязательно проверяйте, что инструмент выключен, а шнур питания вынут из розетки.

## Монтаж рукоятки для переноса

*Только для модели HW1200*

1. Соедините переднюю и заднюю половины рукоятки, совместив отверстия для винтов на них и на корпусе водоструйного аппарата высокого давления.

► **Рис.12:** 1. Передняя половина рукоятки  
2. Задняя половина рукоятки 3. Корпус водоструйного аппарата высокого давления

2. Закрепите рукоятку для переноса с помощью винтов (7 шт.).

► **Рис.13**

## Подключение шланга высокого давления

*Только для модели HW1200*

Подключите шланг высокого давления к разъему (с меткой в виде пистолета). Поверните гайку на шланге высокого давления против часовой стрелки, накручивая ее на резьбу выходного отверстия.

► **Рис.14:** 1. Выходное отверстие 2. Гайка

**ВНИМАНИЕ:** Убедитесь, что шланг высокого напряжения надежно закреплен. При ослабленном соединении шланг высокого давления может вылететь и нанести травму.

## Установка пистолета

Подключите шланг высокого давления к входному отверстию пистолета. Поверните гайку на шланге высокого давления против часовой стрелки, накручивая ее на резьбу входного отверстия.

► **Рис.15:** 1. Входное отверстие 2. Гайка

**ВНИМАНИЕ:** Убедитесь, что шланг высокого напряжения надежно закреплен. При ослабленном соединении шланг высокого давления может вылететь и нанести травму.

## Подключение к водопроводному крану

**ВНИМАНИЕ:** Обязательно используйте устойчивый к давлению водяной шланг диаметром не менее  $\varnothing 13$  мм и подсоединяйте его к водопроводному крану с помощью подходящих фитингов. Невыполнение этого требования может привести к повреждению водяного шланга и/или фитинга и нанесению травмы.

**ПРИМЕЧАНИЕ:** Используйте как можно более короткий устойчивый к давлению водяной шланг. Объем поступающей воды должен превышать максимальный объем подачи насоса.

**ПРИМЕЧАНИЕ:** Если вы подключаетесь к водопроводу, по которому подается питьевая вода, используйте обратный клапан, соответствующий требованиям местного законодательства.

Подготовьте устойчивый к давлению водяной шланг. Установите соединительную муфту на один его конец и подсоедините другой к водопроводному крану следующим образом.

1. Снимите гайку на соединительной муфте и пропустите устойчивый к давлению водяной шланг через гайку. Вставьте конец шланга в соединительную муфту и затяните гайку.

► **Рис.16:** 1. Устойчивый к давлению водяной шланг 2. Гайка на соединительной муфте 3. Соединительная муфта

**ПРИМЕЧАНИЕ:** Если вы подключаете устойчивый к давлению водяной шланг к водопроводному крану с помощью соединительной муфты, ее необходимо присоединить к обоим концам шланга.

2. Подключите устойчивый к давлению водяной шланг к водопроводному крану. Используйте подходящий фитинг, например, хомут шланга или соединительный стык водопроводного крана, чтобы присоединить конец шланга к водопроводному крану.

► **Рис.17:** 1. Хомут шланга 2. Соединительный элемент водопроводного крана  
3. Устойчивый к давлению водяной шланг

**ПРИМЕЧАНИЕ:** Тип фитинга, который необходимо использовать, зависит от формы водопроводного крана, к которому вы подключаете шланг. Приобретите подходящий фитинг.

3. Присоедините соединитель водяного шланга к входному отверстию (с меткой в виде водопроводного крана) и вставьте соединительную муфту.

- **Рис.18:** 1. Соединительная муфта  
2. Соединитель водяного шланга  
3. Входное отверстие

## Установка/отсоединение насадки

**ВНИМАНИЕ:** Обязательно блокируйте триггер при установке/отсоединении насадки.

Вставьте конец насадки в разъем пистолета и поверните конец насадки в указанном стрелкой направлении, как показано на рисунке. Для отсоединения поверните насадку в обратном направлении, перемещая ее в сторону пистолета.

- **Рис.19:** 1. Пистолет 2. Паз 3. Конец насадки

Для установки некоторых дополнительных насадок на пистолет необходим соединительный стык (опциональный аксессуар). Прикрепите соединительный стык к пистолету точно так же, как насадку.

- **Рис.20:** 1. Насадка 2. Соединительный стык  
3. Пистолет

**ПРИМЕЧАНИЕ:** Соединительный стык необходим при использовании насадок, поставляемых с другими моделями, например, HW112 или HW121.

## Установка пенной насадки

**ВНИМАНИЕ:** Обязательно блокируйте триггер при установке/отсоединении насадки.

Перед применением пенной насадки необходимо подготовить очищающее средство.

1. Снимите насадку с бака, повернув ее против часовой стрелки. Прикрепите насадку к пистолету.

- **Рис.21:** 1. Насадка 2. Пистолет

2. Налейте очищающее средство в бак и прикрепите его к насадке.

- **Рис.22:** 1. Бак

**ПРИМЕЧАНИЕ:** Используйте только нейтральные очищающие средства. Кислотное или щелочное очищающее средство может повредить бак или насадку.

## ЭКСПЛУАТАЦИЯ

**ОСТОРОЖНО:** Не прикасайтесь к струе воды и не направляйте ее на себя или окружающих. Струя воды представляет опасность и может травмировать вас или других людей.

**ОСТОРОЖНО:** При подаче воды запрещено держать в руках очищаемый объект или держать руки и ноги в непосредственной близости от нее.

**ВНИМАНИЕ:** Следите за тем, чтобы в вас не попала струя воды или отброшенные ей предметы. Насадка должна находиться на расстоянии не менее 30 см.

**ВНИМАНИЕ:** Не держите водоструйный аппарат высокого давления включенным дольше 1 минуты, если в нем нет воды.

**ВНИМАНИЕ:** Не допускайте непрерывной эксплуатации водоструйного аппарата высокого давления в течение продолжительных промежутков времени. В противном случае возможен перегрев устройства и возникновение пожара. Кроме того, во время длительной эксплуатации может возникнуть ненормальная вибрация.

**ВНИМАНИЕ:** Следите за направлением ветра. При попадании очищающего средства в глаза или полость рта немедленно промойте пострадавший участок чистой водой и при необходимости обратитесь к врачу.

**ПРИМЕЧАНИЕ:** Не держите водоструйный аппарат высокого давления включенным дольше 1 часа. После использования устройства в течение 1 часа сделайте перерыв аналогичной длины перед дальнейшей эксплуатацией.

1. Подсоедините конец шланга высокого давления к пистолету. При использовании модели HW1200 подсоедините другой конец шланга к водоструйному аппарату высокого давления. При использовании модели HW1300 разматывайте шланг целиком.

2. Подключите водоструйный аппарат высокого давления к водопроводному крану и откройте кран.

- **Рис.23**

**ПРИМЕЧАНИЕ:** Чтобы защитить механизм водоструйного аппарата высокого давления, используйте воду температурой не более 40°C.

3. Подключите водоструйный аппарат высокого давления к источнику электропитания и включите его.

- **Рис.24:** 1. Переключатель питания

4. Чтобы заставить устройство выпустить струю воды, разблокируйте стопор и нажмите на триггерный переключатель. Струя продолжает выпускаться, пока вы удерживаете триггерный переключатель в нажатом положении.

- **Рис.25:** 1. Стопор

**ВНИМАНИЕ:** Крепко удерживайте пистолет. Нажатие на триггерный переключатель вызывает отдачу пистолета.

**ВНИМАНИЕ:** При выполнении очистки необходимо удерживать пистолет за рукоятку и ствол. Во время работы двигателя водоструйного аппарата высокого давления запрещается прикасаться ко всем элементам корпуса этого устройства, кроме рукоятки для переноса и переключателя питания.

**ПРИМЕЧАНИЕ:** Соблюдайте осторожность, чтобы не нажать на триггерный переключатель с избыточной силой. Невыполнение этого требования может привести к падению водоструйного аппарата высокого давления.

## После эксплуатации

**⚠ВНИМАНИЕ:** После эксплуатации устройства необходимо выполнять процедуру, описанную в данном руководстве. Остаточное давление в пистолете или водоструйном аппарате высокого давления может привести к травмированию оператора или окружающих или стать причиной повреждения внутренней части насоса.

1. После завершения работ оставляйте переключатель питания в положении «Он» (Вкл.).

2. Закройте водопроводный кран и отсоедините водяной шланг от водоструйного аппарата высокого давления.

► Рис.26

3. Удерживайте триггерный переключатель нажатым до тех пор, пока оставшаяся вода не будет сброшена.

Не держите двигатель включенным дольше 1 минуты.

► Рис.27

4. Отключите водоструйный аппарат высокого давления и отсоедините его от источника электропитания.

► Рис.28: 1. Переключатель питания

5. Отсоедините шланг высокого давления от пистолета.

► Рис.29: 1. Пистолет 2. Шланг высокого давления

При использовании модели HW1200 также необходимо отсоединить шланг высокого давления от водоструйного аппарата высокого давления.

► Рис.30: 1. Шланг высокого давления

При использовании модели HW1300 требуется сматывать шланг и зафиксировать его конец.

► Рис.31: 1. Фиксатор 2. Рукоятка

**ПРИМЕЧАНИЕ:** Во избежание повреждения шланга высокого давления необходимо выливать из него всю воду перед хранением.

## ОБСЛУЖИВАНИЕ И ХРАНЕНИЕ

**⚠ВНИМАНИЕ:** Перед проверкой или проведением техобслуживания убедитесь, что инструмент выключен, а штекер отсоединен от розетки.

**ПРИМЕЧАНИЕ:** Запрещается использовать бензин, растворители, спирт и другие подобные жидкости. Это может привести к обесцвечиванию, деформации и трещинам.

## Чистка насадки

Используйте очистной штырь, чтобы удалять грязь из насадки или прочищать последнюю.

► Рис.32: 1. Очистной штырь

**ПРИМЕЧАНИЕ:** Не прилагайте повышенных усилий при удалении грязи и засоров. Невыполнение этого требования может привести к травмированию оператора или окружающих и повреждению отверстия для подачи. Это также может стать причиной искажения угла струи или снижения производительности.

## Очистка фильтра

Снимите соединитель водяного шланга и удалите грязь и засоры из внутренней части фильтра.

► Рис.33: 1. Соединитель водяного шланга  
2. Фильтр 3. Уплотнительное кольцо

При использовании набора с всасывающим шлангом (дополнительное оборудование) вытаскивайте фильтр из корпуса фильтра и удалите грязь и засоры.

► Рис.34: 1. Фильтр 2. Корпус фильтра

**ПРИМЕЧАНИЕ:** Для поддержания оптимальной производительности необходимо периодически выполнять очистку фильтра.

## Хранение

Смотайте шланг и шнур. Положите пистолет и насадки в отведенные для них места для хранения.

HW1200

► Рис.35

HW1300

► Рис.36

**⚠ВНИМАНИЕ:** Храните инструмент в помещении, температура в котором не достигает температуры замерзания. Если водоструйный аппарат высокого давления замерзнет, а в его работе возникнут сбои, обратитесь в местный дилерский центр для выполнения ремонта.

**⚠ВНИМАНИЕ:** Перемещайте водоструйный аппарат высокого давления, только держа его за рукоятку для переноса. Не тяните за шланг или провод, чтобы переместить устройство. Несоблюдение данного требования может привести к повреждению шланга или провода.

**⚠ВНИМАНИЕ:** Не перемещайте водоструйный аппарат высокого давления, когда шланг и/или провод размотаны. Размотанный шланг или провод могут быть повреждены, зацепиться за другие объекты и стать причиной травмирования оператора или окружающих или поломки устройства.

Для обеспечения БЕЗОПАСНОСТИ и НАДЕЖНОСТИ обслуживания ремонт, любое другое техобслуживание или регулировку необходимо производить в уполномоченных сервис-центрах Makita или сервис-центрах предприятия с использованием только сменных частей производства Makita.



# ПОИСК И УСТРАНЕНИЕ НЕИСПРАВНОСТЕЙ

Прежде чем обращаться по поводу ремонта, проведите осмотр самостоятельно. Если обнаружена неисправность, не указанная в руководстве, не пытайтесь разобрать инструмент. Обратитесь в один из авторизованных сервисных центров Makita, в которых для ремонта всегда используются оригинальные детали Makita.

Состояние неисправности	Возможная причина (неисправности)	Способ устранения
Водоструйный аппарат не запускается.	Нет электропитания	Включите вилку в розетку источника питания. Также проверьте, подается ли электрический ток к источнику питания.
	Переключатель не переведен в положение «Оп» (Вкл.).	Переведите переключатель в положение «Оп» (Вкл.).
	Остаточное давление в насосе	Потяните триггерный переключатель.
	Повреждение провода или электрической цепи	Обратитесь в авторизованный сервисный центр для выполнения ремонта.
Нет струи воды / слабая струя воды	Вода не подается	Убедитесь, что кран водопровода открыт. При использовании набора с всасывающим шлангом начните подачу воды в шланг.
	Подается недостаточное количество воды	Откройте кран водопровода.
	Ненадежное крепление водяного шланга	Проверьте соединение водяного шланга с краном водопровода и входным отверстием водоструйного аппарата высокого давления.
	Засор в шланге, фильтре или насадке	Устраните засор в шланге, фильтре или насадке.
	Воздух препятствует прохождению потока воды.	Переведите переключатель в положение «Off» (Выкл.), а затем обратно в положение «Оп» (Вкл.), нажимая при этом на триггерный переключатель.
	Повреждение или износ насадки	Замените насадку.
Неисправность насоса или клапана	Обратитесь в авторизованный сервисный центр для выполнения ремонта.	
Нестабильная струя воды.	Насадка засорена	Устраните засор в отверстии для подачи воды на насадке с помощью очистного штыря.
	Всасывание недостаточного количества воды	Проверьте водяной шланг на предмет протечек или засоров. Начните проверку от крана водопровода. Откройте кран водопровода.
	Вода слишком горячая.	Подавайте более холодную воду.
	Клапан неисправен	Обратитесь в авторизованный сервисный центр для выполнения ремонта.
Необычный звук.	Вода слишком горячая.	Подавайте более холодную воду.
	Воздушная пробка в насосе.	Обратитесь в авторизованный сервисный центр для выполнения ремонта.
Утечка воды/масла.	Ненадежное соединение	Проверьте соединение шланга высокого давления с пистолетом и водоструйным аппаратом высокого давления.
	Износ уплотнителей	Обратитесь в авторизованный сервисный центр для выполнения ремонта.
Насос не работает, хотя слышен звук работы двигателя.	Неподходящий удлинительный шнур.	Используйте удлинительный шнур с подходящими характеристиками.

## ДОПОЛНИТЕЛЬНЫЕ ПРИНАДЛЕЖНОСТИ

**⚠ВНИМАНИЕ:** Данные принадлежности или приспособления рекомендуются для использования с инструментом Makita, указанным в настоящем руководстве. Использование других принадлежностей или приспособлений может привести к получению травмы. Используйте принадлежность или приспособление только по указанному назначению.

Если вам необходимо содействие в получении дополнительной информации по этим принадлежностям, свяжитесь с вашим сервис-центром Makita.

**ПРИМЕЧАНИЕ:** Некоторые элементы списка могут входить в комплект инструмента в качестве стандартных приспособлений. Они могут отличаться в зависимости от страны.

### Распылитель

► Рис.37

Вы можете регулировать ширину струи в диапазоне от 0° до 25° путем поворота передней части насадки.

**⚠ВНИМАНИЕ:** При регулировании ширины струи запрещается вращать насадку, смещая ее в направлении пистолета. Несоблюдение этого требования может привести к отсоединению насадки от пистолета и стать причиной нанесения травмы.

### Очистная щетка (длинная)

► Рис.38

Насадка снабжена щеткой. Эта насадка отлично удаляет грязь благодаря наличию щетки.

### Набор с всасывающим шлангом

► Рис.39

Замените водяной шланг этим набором, чтобы получить возможность регулировать подачу воды из бака или резервуара.

### Поворачивающаяся очистная щетка

► Рис.40

Три щетки, расположенные внутри, медленно вращаются во время выпуска струи. Отлично подходит для удаления грязи с наружной части стены, кузова автомобиля, ванны и т. п.

### Удлинитель для распылителя

► Рис.41

Трубы, увеличивающие длину пистолета. Доступно три настройки длины. Для перехода между ними необходимо изменить количество используемых труб.

### Распылитель для очистки объектов снизу

► Рис.42

Удлиненный распылитель с изогнутой насадкой. Идеально подходит для очистки труднодоступных участков, таких как днище автомобиля или карнизный желоб крыши.

**⚠ВНИМАНИЕ:** Не используйте распылитель для очистки объектов снизу вместе с удлинителем для распылителя.

### Щиток от брызг

► Рис.43

Предотвращает разбрызгивание при очистке углов с помощью грязевой фрезы.

### Подвижный стык

► Рис.44

Предотвращает чрезмерное изгибание шланга высокого давления.

### Соединительный стык

► Рис.45

Стык для соединения с насадкой для устройств других моделей.

**ПРИМЕЧАНИЕ:** Соединительный стык необходим при использовании насадок, поставляемых с другими моделями, например, HW112 или HW121.

### Набор для чистки труб (10 м/15 м)

► Рис.46

Используется для чистки трубопроводов и направленных вниз труб, а также устранения засоров в них.

**⚠ВНИМАНИЕ:** С особым вниманием следите за струей воды при использовании набора для чистки труб. Струя воды, отличающаяся высокой интенсивностью, выбрасывается назад.

### Удлинительный шланг высокого давления (5 м/8 м/10 м)

► Рис.47

Удлинительный шланг для соединения корпуса водоструйного аппарата высокого давления с пистолетом.

© KOMFORT



**Makita Europe N.V.** Jan-Baptist Vinkstraat 2,  
3070 Kortenberg, Belgium

**Makita Corporation** 3-11-8, Sumiyoshi-cho,  
Anjo, Aichi 446-8502 Japan

[www.makita.com](http://www.makita.com)

885542B988 EN, SV, NO, FI, LV, LT, ET, RU 20170308
---