

Milwaukee®

Nothing but **HEAVY DUTY**®



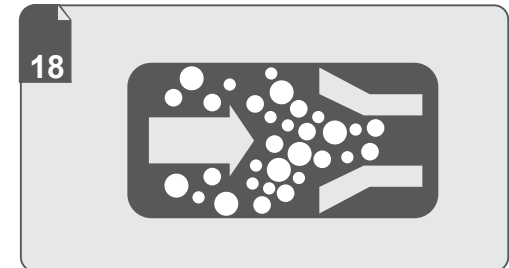
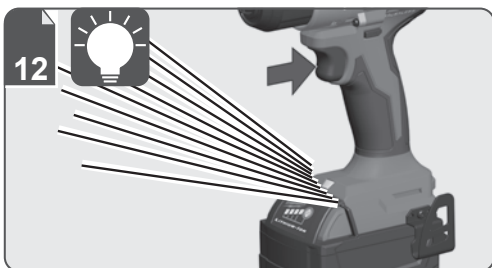
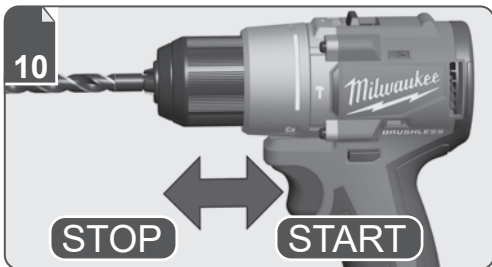
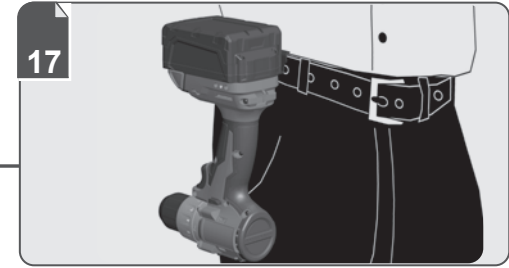
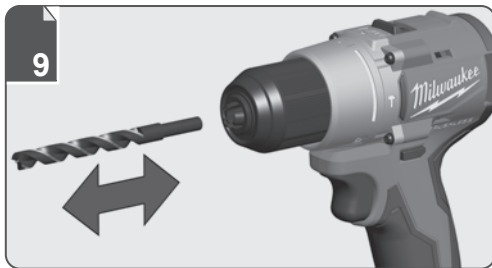
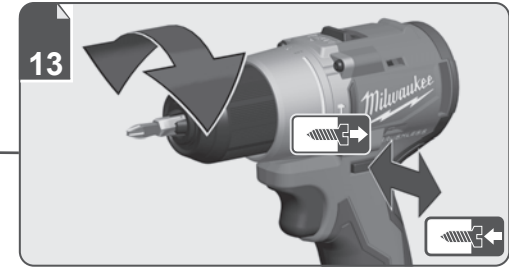
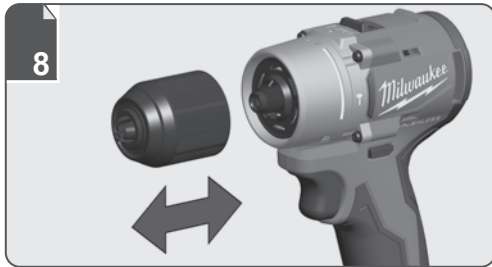
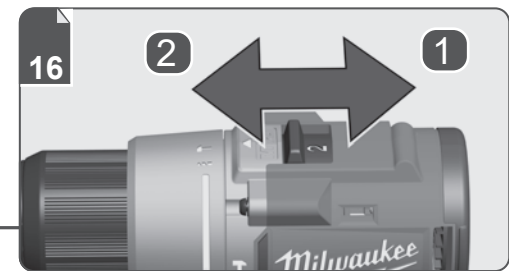
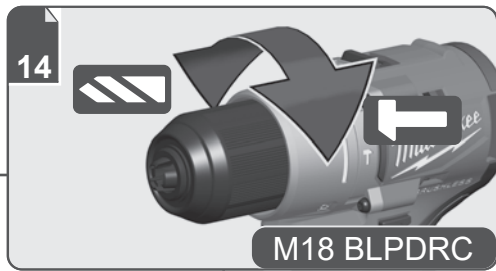
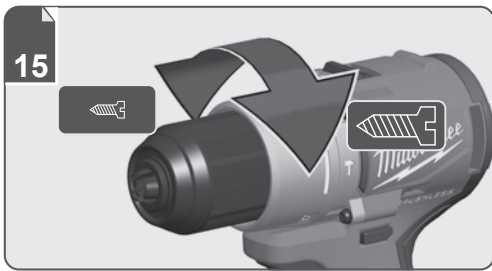
M18 BLDDRC M18 BLPDRC

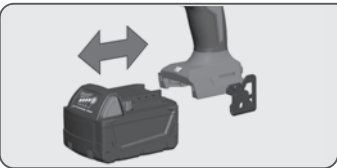
Original instructions
Originalbetriebsanleitung
Notice originale
Istruzioni originali
Manual original
Oorspronkelijke gebruiksaanwijzing
Original brugsanvisning
Original bruksanvisning
Bruksanvisning i original
Alkuperäiset ohjeet
Πρωτότυπο οδηγιών χρήσης

Orijinal işletme talimatı
Původním návodem k používání
Pôvodný návod na použitie
Instrukcją oryginalną
Eredeti használati utasítás
Izvirna navodila
Originalne pogonske upute
Instrukcijām oriģinālvalodā
Originali instrukcija
Algupärane kasutusjuhend
Оригинальное руководство по эксплуатации

Оригинално ръководство за експлоатация
Instrucțiuni de folosire originale
Оригинален прирачник за работа
Оригінал інструкції з експлуатації
Originalno uputstvo za upotrebu
Udhëzime origjinale përdorimit
التعليمات الأصلية

ENGLISH	Picture section with operating description and functional description	Page	4	Text section with Technical Data, important Safety and Working Hints and description of Symbols	Page	20
DEUTSCH	Bildteil mit Anwendungs- und Funktionsbeschreibungen	Seite	4	Textteil mit Technischen Daten, wichtigen Sicherheits- und Arbeitshinweisen und Erklärung der Symbole.	Seite	23
FRANÇAIS	Partie imagée avec description des applications et des fonctions	Page	4	Partie textuelle avec les données techniques, les consignes importantes de sécurité et de travail ainsi que l'explication des pictogrammes.	Page	26
ITALIANO	Sezione illustrata con descrizione dell'applicazione e delle funzioni	Pagina	4	Sezione testo con dati tecnici, importanti informazioni sulla sicurezza e sull'utilizzo, spiegazione dei simboli.	Pagina	29
ESPAÑOL	Sección de ilustraciones con descripción de aplicación y descripción funcional	Página	4	Sección de texto con datos técnicos, indicaciones importantes de seguridad y trabajo y explicación de los símbolos.	Página	32
PORTUGUES	Parte com imagens explicativas contendo descrição operacional e funcional	Página	4	Parte com texto explicativo contendo Especificações técnicas, avisos de segurança e de operação e a descrição dos símbolos.	Página	35
NEDERLANDS	Beelddedeelte met toepassings- en functiebeschrijvingen	Pagina	4	Tekstgedeelte met technische gegevens, belangrijke veiligheids- en arbeidsinstructies en verklaring van de symbolen.	Pagina	38
DANSK	Billeddel med anvendelses- og funktionsbeskrivelser	Side	4	Tekstdel med tekniske data, vigtige sikkerheds- og arbejdsanvisninger og symbolforklaring.	Side	41
NORSK	Billeddel med bruks- og funksjonsbeskrivelse	Side	4	Tekstdel med tekniske data, viktige sikkerhets- og arbeidsinstruksjoner og forklaring av symbolene.	Side	44
SVENSKA	Bilddel med användnings- och funktionsbeskrivning	Sidan	4	Textdel med tekniska informationer, viktiga säkerhets- och användningsinstruktioner samt symbolförklaringar.	Sidan	47
SUOMI	Kuvasivut käyttö- ja toimintakuvaus	Sivu	4	Tekstisivut: tekniset tiedot, tärkeät turvallisuus- ja työskentelyohjeet sekä merkien selitykset.	Sivu	50
ΕΛΛΗΝΙΚΑ	Τμήμα εικόνων με περιγραφές χρήσης και λειτουργίας	Σελίδα	4	Τμήμα κειμένου με τεχνικά χαρακτηριστικά, σημαντικές υποδείξεις ασφαλείας και εργασίας και εξήγηση των συμβόλων.	Σελίδα	53
TÜRKÇE	Resim bölümü Uygulama ve fonksiyon açıklamaları ile birlikte	Sayfa	4	Teknik bilgileri, önemli güvenlik ve çalışma açıklamalarını ve de sembollerin açıklamalarını içeren metin bölümü.	Sayfa	56
ČEŠTINA	Obrazová část s popisem aplikací a funkcí	Stránka	4	Textová část s technickými daty, důležitými bezpečnostními a pracovními pokyny a s vysvětlivkami symbolů	Stránka	59
SLOVENSKY	Obrazová časť s popisom aplikácií a funkcií	Stránka	4	Textová časť s technickými dátami, dôležitými bezpečnostnými a pracovními pokynmi a s vysvetlivkami symbolov	Stránka	62
POLSKI	Część rysunkowa z opisami zastosowania i działania	Strona	4	Część opisowa z danymi technicznymi, ważnymi wskazówkami dotyczącymi bezpieczeństwa i pracy oraz objaśnieniami symboli.	Strona	65
MAGYAR	Képes rész alkalmazási- és működési leírásokkal	Oldal	4	Szöveges rész műszaki adatokkal, fontos biztonsági- és munkavégzési útmutatásokkal, valamint a szimbólumok magyarázatával.	Oldal	68
SLOVENŠČINA	Del slikez opisom uporabe in funkcij	Stran	4	Del besedila s tehničnimi podatki, pomembnimi varnostnimi opozorili in delovnimi navodili in pojasnili simbolov.	Stran	71
HRVATSKI	Dio sa slikama sa opisima primjene i funkcija	Stranica	4	Dio štiva sa tehničkim podacima, važnim sigurnosnim i radnim uputama i objašnjenjem simbola.	Stranica	74
LATVISKI	Attēla daļa ar lietošanas un funkciju aprakstiem	Lappuse	4	Teksta daļa ar tehnikajiem parametriem, svarīgiem drošības un darbības norādījumiem, simbolu atšifrējumiem.	Lappuse	77
LIETUVIŠKAI	Paveikslėlio dalis su vartojimo instrukcija ir funkcijų aprašymais	Puslapis	4	Teksto dalis su techniniais duomenimis, svarbiomis saugumo ir darbo instrukcijomis bei simbolių paaiškinimais.	Puslapis	80
EESTI	Pildiosa kasutusjuhendi ja funktsioonide kirjeldusega	Lehekülg	4	Tekstiosa tehniliste näitajate, oluliste ohutus- ja tööjuhenditega ning sümbolite kirjeldustega.	Lehekülg	83
РУССКИЙ	Раздел иллюстраций с описанием эксплуатации и функций	Страница	4	Текстовый раздел, включающий технические данные, важные рекомендации по безопасности и эксплуатации, а также описание используемых символов.	Страница	86
БЪЛГАРСКИ	Част със снимки с описания за приложение и функции	Страница	4	Част с текст с технически данни, важни указания за безопасност и работа и разяснение на символите.	Страница	89
ROMÂNĂ	Secvența de imagine cu descrierea utilizării și a funcționării	Pagina	4	Porțiune de text cu date tehnice, indicații importante privind siguranța și modul de lucru și descrierea simbolurilor.	Pagina	92
МАКЕДОНСКИ	Дел со слики со описи за употреба и функционирање	Страница	4	Текстуален дел со Технички карактеристики, важни безбедносни и работни упатства и објаснување на символите.	Страница	95
УКРАЇНСЬКА	Частина з зображеннями з описом робіт та функцій	Сторінка	4	Текстова частина з технічними даними, важливими вказівками з техніки безпеки та експлуатації і поясненням символів.	Сторінка	98
SRPSKI	Ilustracija sa opisima primene i funkcija	Strana	4	Tekstualni odeljak sa tehničkim podacima, važnim uputstvima za bezbednost i rad i objašnjenje simbola.	Strana	101
SHQIP	Pjesa e figurës me përshkrimet e përdorimit dhe funksioneve	Faqja	4	Seksioni i tekstit me të dhënat teknike, udhëzimet e rëndësishme të sigurisë dhe punës dhe shpjegimi i simboleve.	Faqja	104
عربي	قسم الصور يوجد به الوصف التشغيلي والوظيفي	الصفحة	4	القسم النصي المزود بالبيانات الفنية والنصائح الهامة للسلامة والعمل ووصف الرموز	الصفحة	109





Remove the battery pack before starting any work on the machine.
Vor allen Arbeiten an der Maschine den Wechselakku herausnehmen

Avant tous travaux sur la machine retirer l'accu interchangeable.

Prima di iniziare togliere la batteria dalla macchina.

Retire la batería antes de comenzar cualquier trabajo en la máquina.

Antes de efectuar cualquier intervención na máquina retirar o bloco acumulador.

Voor alle werkzaamheden aan de machine de akku verwijderen.

Ved arbejde inden i maskinen, bør batteriet tages ud.

Ta ut vekslebatteriet før du arbeider på maskinen

Drag ur batteripaket innan arbete utföres på maskinen.

Tarkista pistotulppa ja verkkojohto mahdollisista vaurioilta. Viat saa korjata vain alan erikoismies.
Πριν από κάθε εργασία στη μηχανή αφαιρέστε την ανταλλακτική μπαταρία.

Aletin kendinde bir çalışma yapmadan önce kartuş aküyü çıkarın.

Před zahájením veškerých prací na vrtacím šroubovákú vyjmout výměnný akumulátor.

Pred každou prácou na stroji výmenný akumulátor vytiahnuť.

Przed przystąpieniem do jakichkolwiek prac na elektronarzędziu należy wyjąć wkładkę akumulatorową.

Karbantartás, javítás, tisztítás, stb. előtt az akkumulátort ki kell venni a készülőkből.

Pred deli na stroju izvlecite izmenljivi akumulator.

Prije svih radova na stroju izvaditi bateriju za zamjenu.

Pirms mašīnai veikt jebkāda veida apkopes darbus, ir jāizņem ārā akumulators.

Prieš atlikdami bet kokius darbus įrenginyje, išimkite keičiamą akumuliatorių.

Enne kõiki töid masina kallal võtke vahetatav aku välja.

Виньте аккумулятор из машины перед проведением с ней каких-либо манипуляций.

Преди започване на каквито е да е работи по машината извадете акумулатора.

Scoateți acumulatorul înainte de a începe orice intervenție pe mașină.

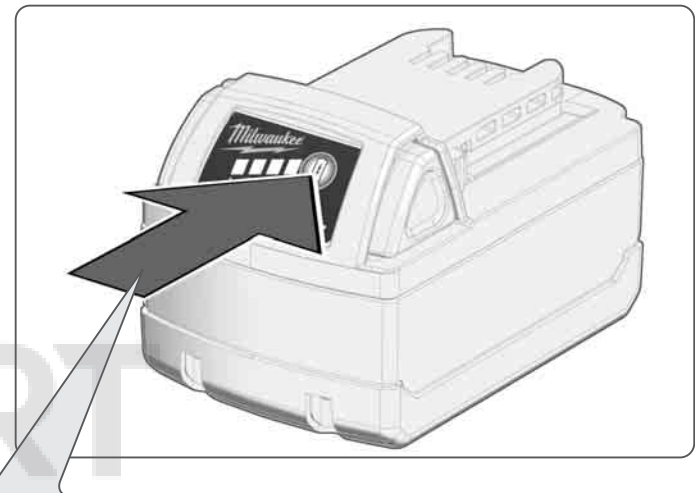
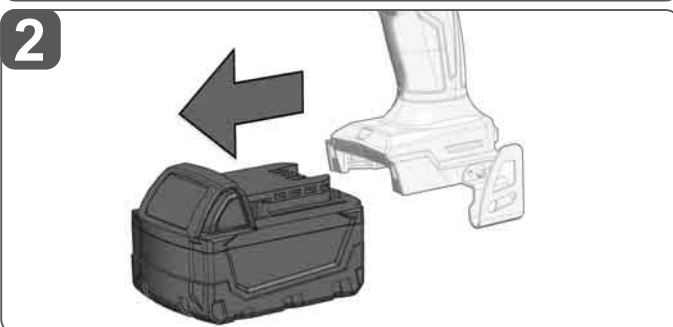
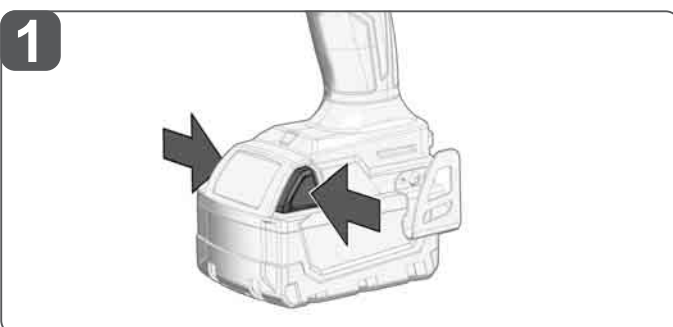
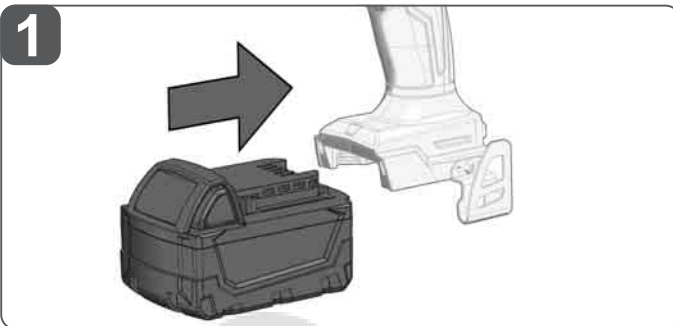
Отстранете ја батеријата пред да започнете да ја користите машината.

Перед будь-якими роботами на машині вийняти змінну акумуляторну батарею.

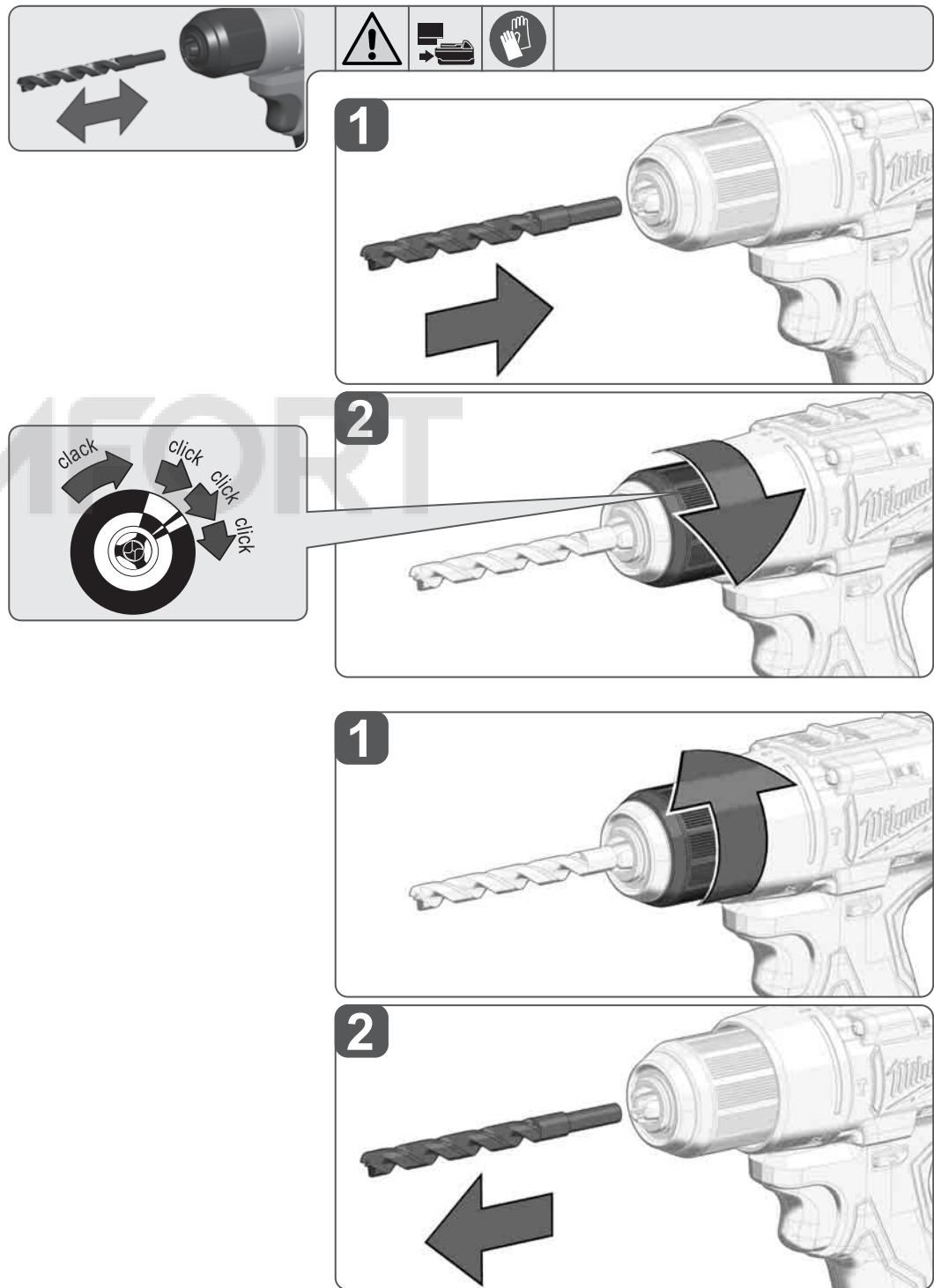
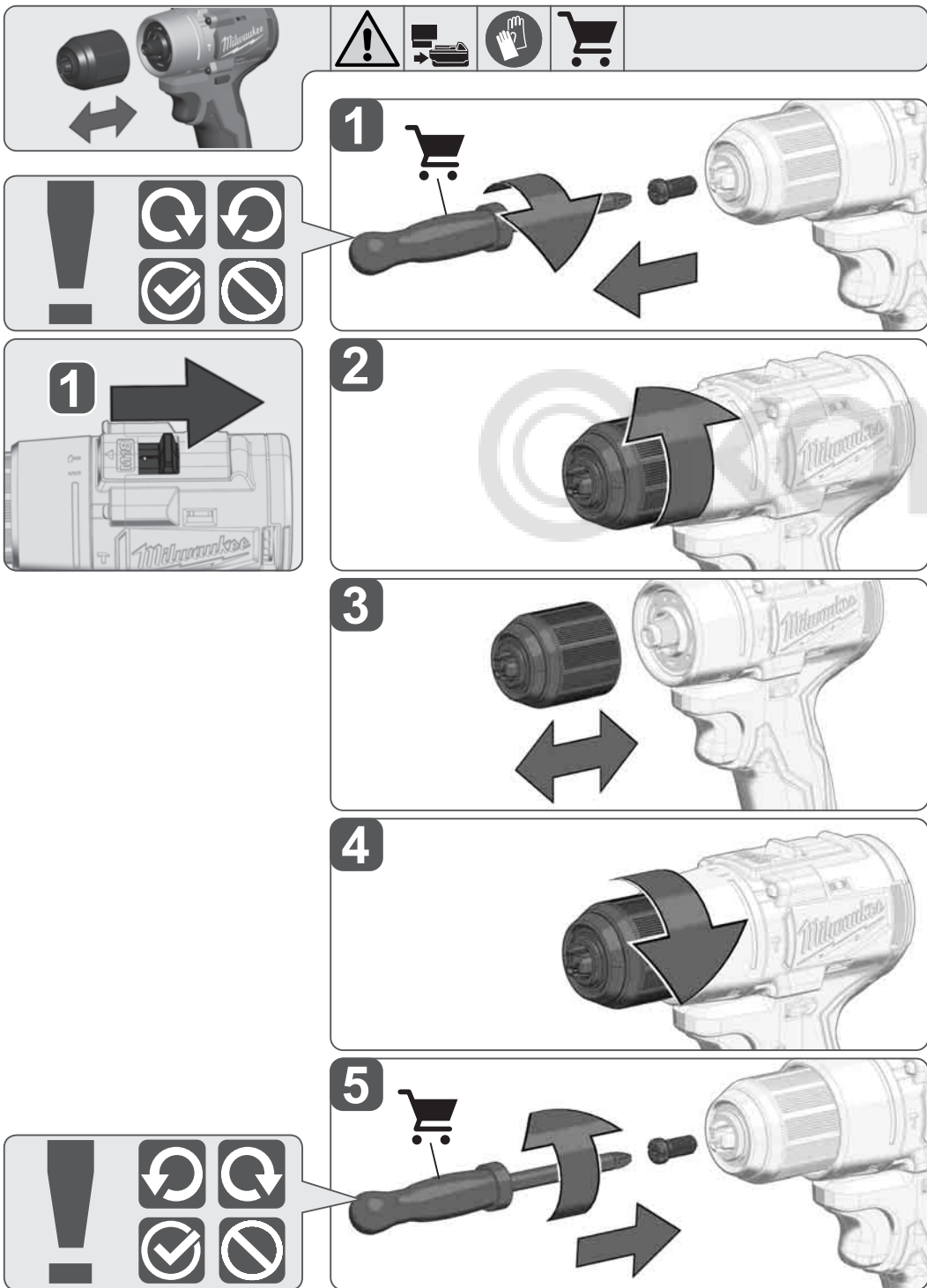
Pre bilo kakvog rada na mašini, uklonite zamenljivu bateriju

Pērpāra se tē filloni ndonjë punē nē makineri, hiqni baterinë e këmbyeshme.

قم بإزالة حزمة البطارية قبل البدء في أي أعمال على الجهاز.

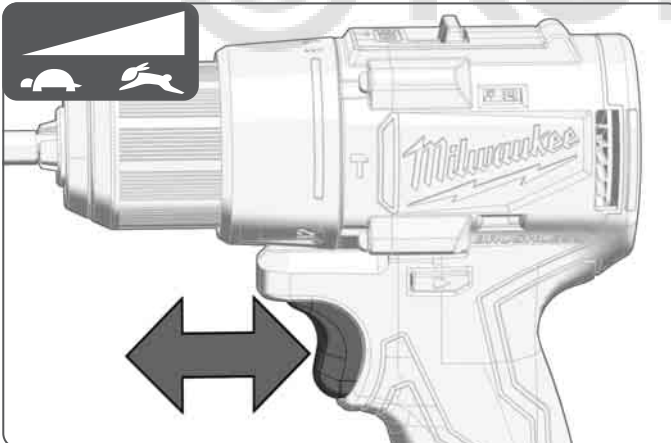
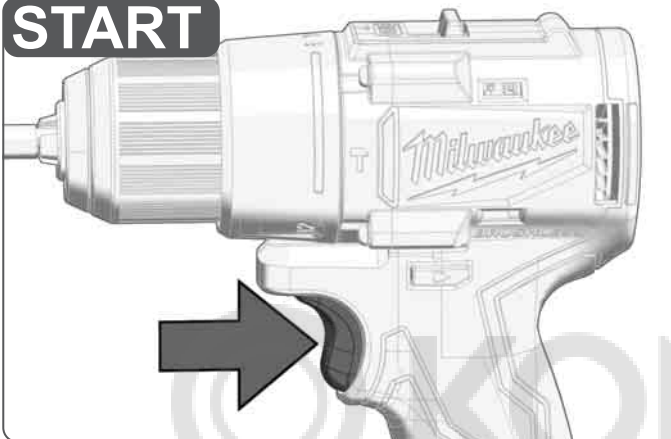


		78-100 %
		55-77 %
		33-54 %
		10-32 %
		< 10 %

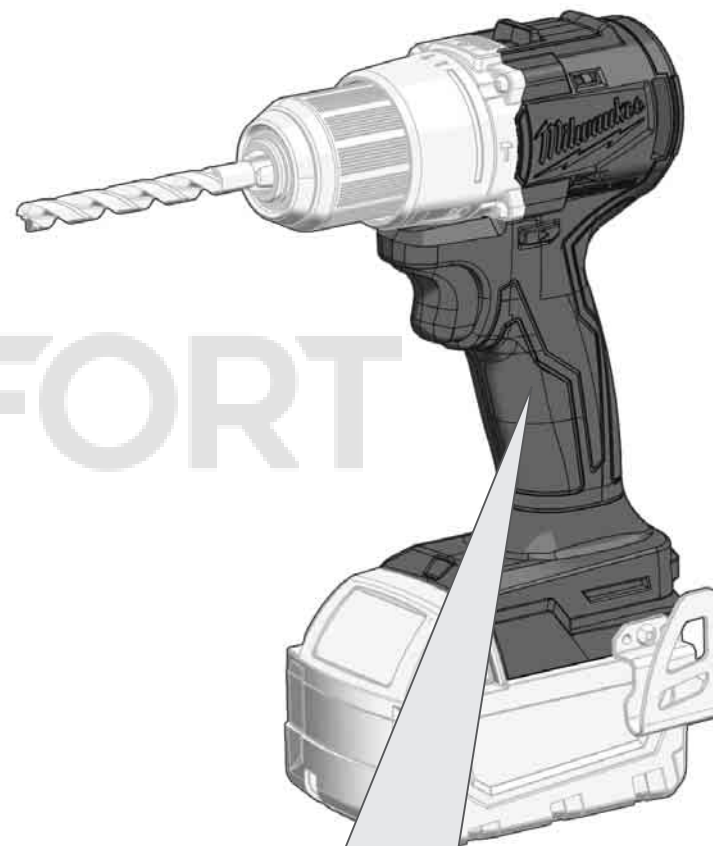
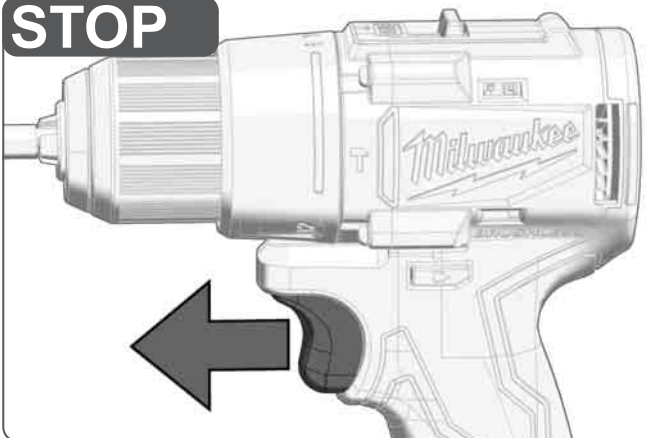




START



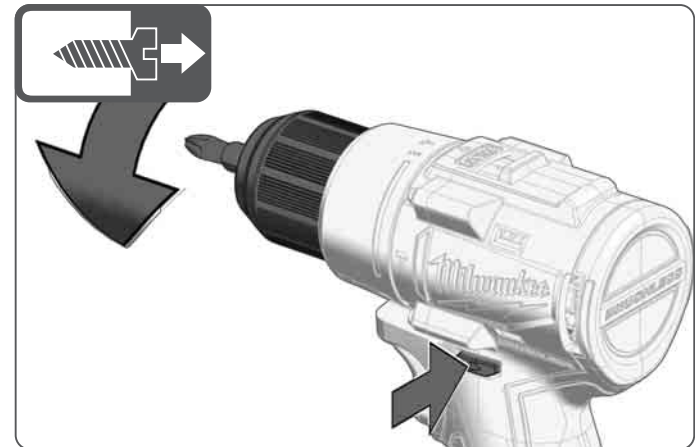
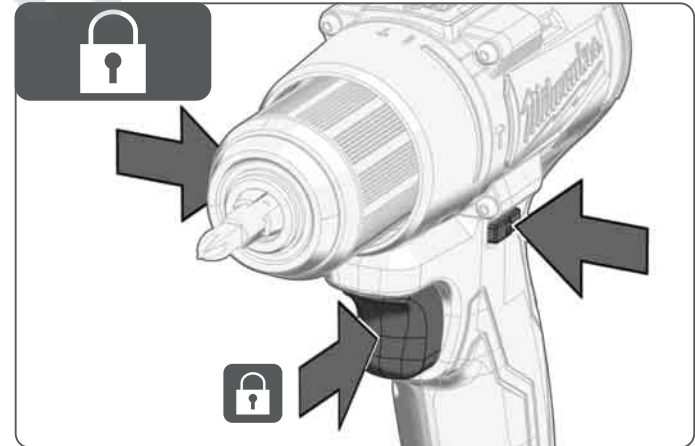
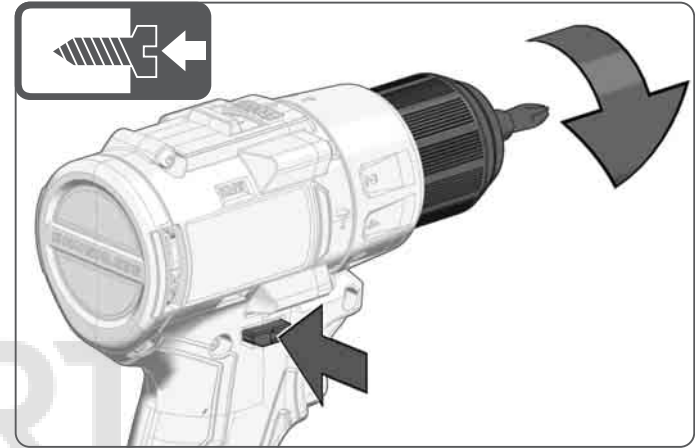
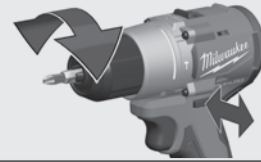
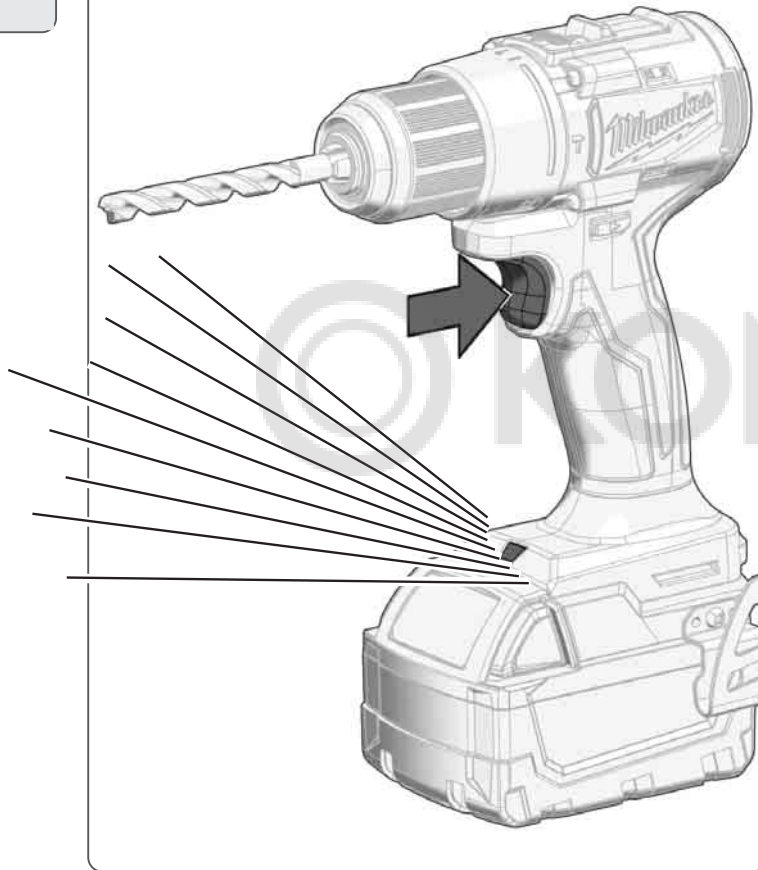
STOP



Insulated gripping surface
 Isolierte Grifffläche
 Surface de prise isolée
 Superficie di presa isolata
 Superficie de agarre con aislamiento
 Superfície de pega isolada
 Geïsoleerde handgrepen
 Isolerede gribeflader
 Isolert gripeflate
 Isolerad greppyta
 Eristetty tarttumapinta
 Μονωμένη επιφάνεια λαβής

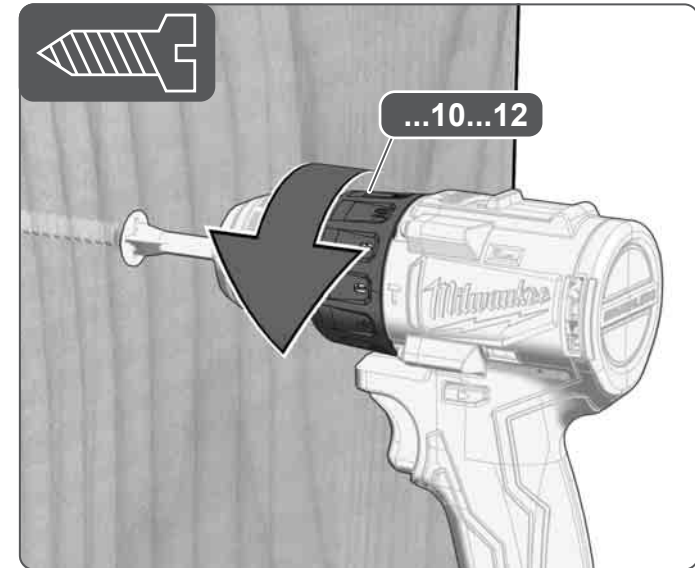
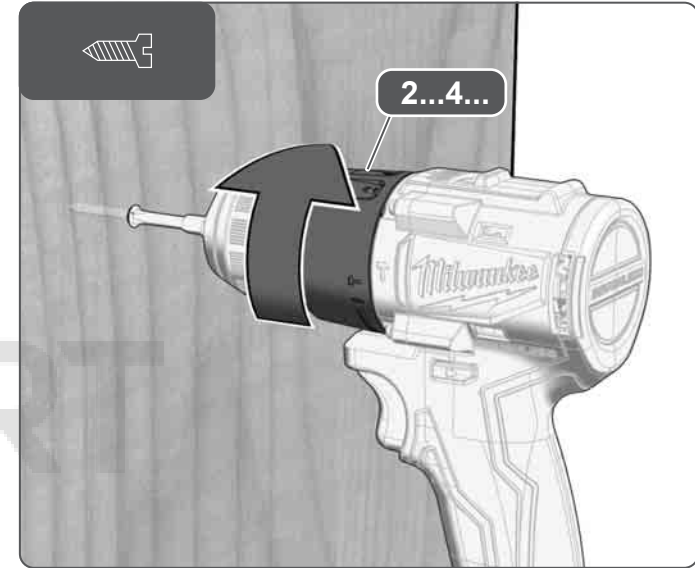
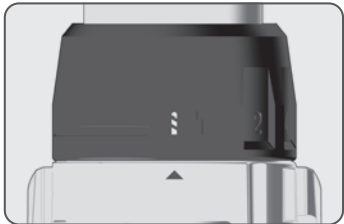
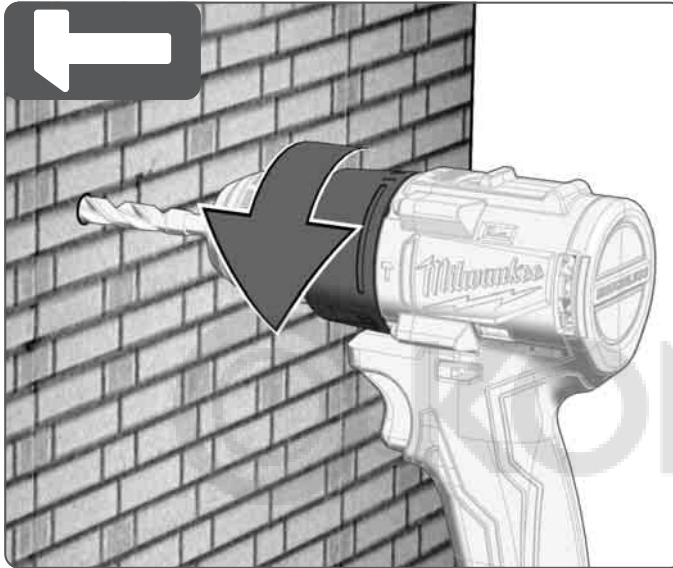
Izolasyonlu tutma yüzeyi
 Izolovaná uchovací plocha
 Izolovaná úchopná plocha
 Izolowana powierzchnia uchwytu
 Szigetelt fogófelület
 Izolirana prijemalna površina
 Izolirana površina za držanje
 Izolēta satveršanas virsma
 Izoliuotas rankenos paviršius
 Isoleeritud pideme piirkond
 Изолированная поверхность ручки
 Изолирана повърхност за хващане

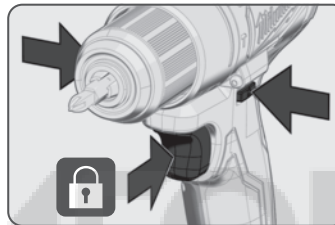
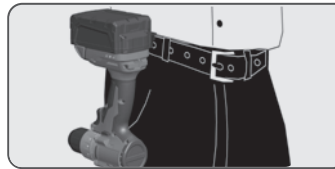
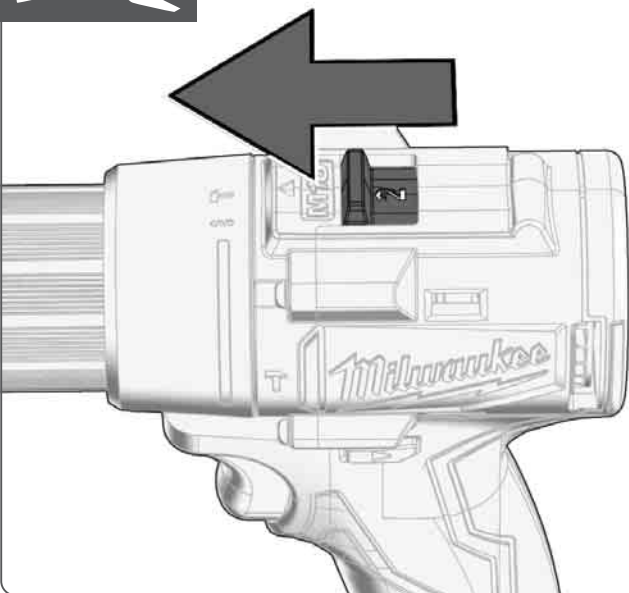
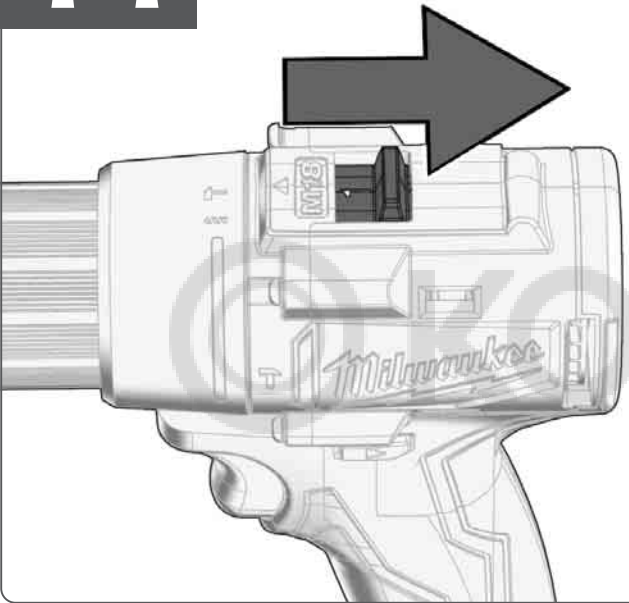
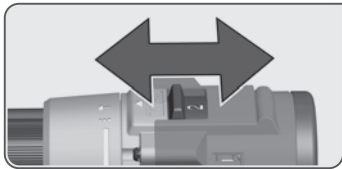
Suprafață de prindere izolată
 Изолирана површина на дршката
 Изольована поверхня ручки
 Ručka (izolovana хватna površina)
 Dorezë (sipërfaqe e izoluar e kapjes)
 مساحة المقبض معزولة



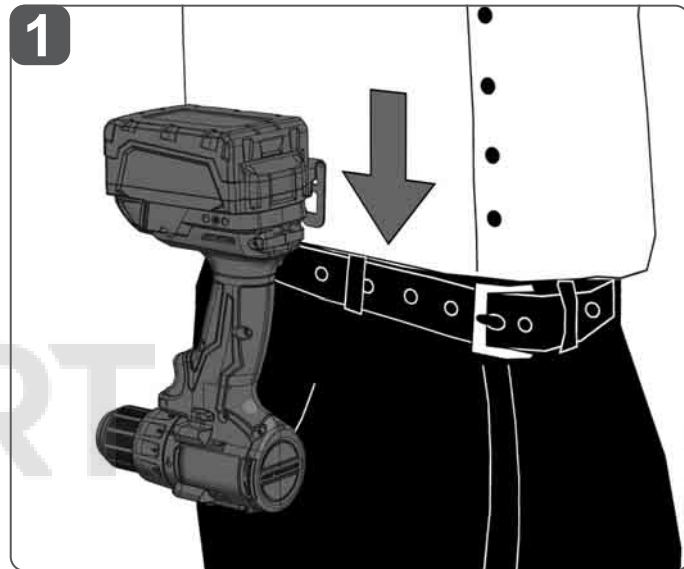


M18 BLPDRC

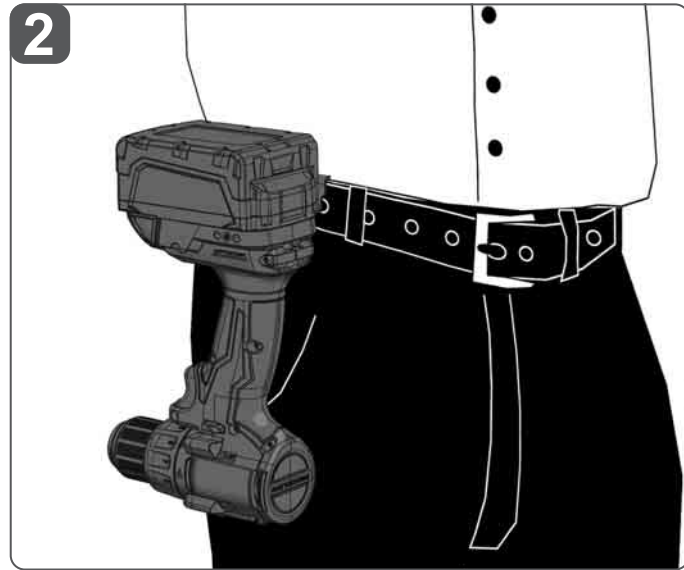




1



2





4932 4304 46 (Ø 28 mm)



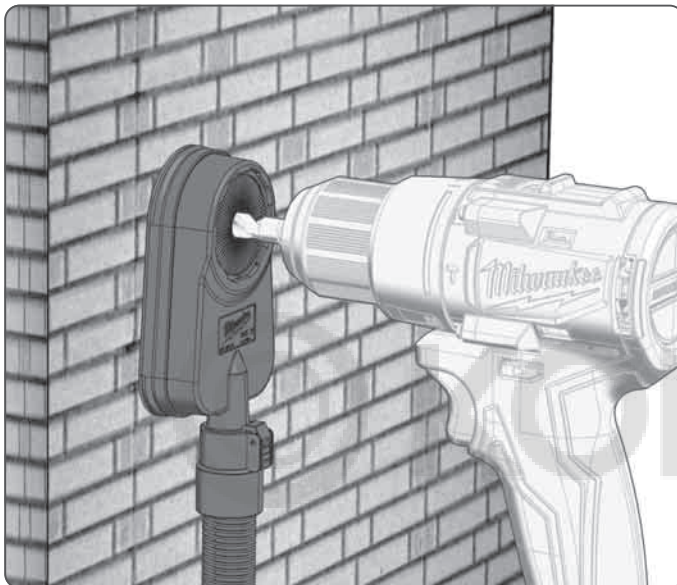
4932 4304 80 (Ø 6 – 72 mm)



Accessory - Not included in standard equipment.
Zubehör - Im Lieferumfang nicht enthalten.
Accessoires - Ces pièces ne font pas partie de la livraison.

Accessorio - Non incluso nella dotazione standard.
Accessorio - No incluido en el equipo estándar, disponible en la gama de accesorios.
Acessório - Não incluído no equipamento normal.
Toebehoren - Wordt niet meegeleverd.
Tilbehør - Ikke inkluderet i leveringsomfanget.
Tilbehør - inngår ikke i leveransen.
Tillbehör - Ingår ej i leveransomfånget.
Lisälaite - Ei sisälly vakiovarustukseen.
Εξαρτήματα - Δεν περιλαμβάνονται στα υλικά παράδοσης.
Aksesuar - Teslimat kapsamında değildir.
Příslušenství není součástí dodávky.
Příslušenstvo - nie je súčasťou štandardnej výbavy.
Wyposażenie dodatkowe dostępne osobno.
Azokat a tartozékokat, amelyek gyárilag nincsenek a készülékhez mellékelve.
Oprema – ni vsebovana v obsegu dobave.
Oprema - u opsegu isporuke nije sadržana.
Piederumi - standartaprīkojuma neietvertās.
Priedas – neįeina į tiekimo komplektaciją.
Tarvikud - ei kuulu tarne komplekti.
Принадлежности - В стандартную комплектацию не входит.
Аксесори - Не се съдържат в обема на доставката.
Accesoriu - Nu este inclus în echipamentul standard.
Дополнителна опрема - Не е включена во стандартната.
Комплектувачи - не входят в объем поставления.
Dodatna oprema- Nije uključena.
Aksesori - Nuk përfshihen.

الملحق - ليس مدرجاً كمعدة قياسية.



Connect the machine to a suitable dust extractor.
Maschine an ein geeignetes Absauggerät anschließen.
Brancher la machine à un appareil d'aspiration approprié.
Collegare la macchina ad un idoneo sistema di aspirazione.
Conectar la máquina a un aparato de aspiración apropiado.
Conecte a máquina em um dispositivo de aspiração apropriado.
sluit de machine aan op een geschikt afzuigapparaat.
Slut maskinen til en egnet udsugningsenhed.
Koble maskinen til et egnet avsningsapparat.
Anslut maskinen till en lämplig utsugningsutrustning.
Yhdistä kone sopivaan imulaitteeseen.
Συνδέετε τη μηχανή σε μια κατάλληλη συσκευή αναρρόφησης.
Makineyi uygun bir emme cihazına bağlayın.
Pripojte stroj na vhodný odsávací přístroj.
Stroj pripojte na vhodný odsávací prístroj.
Do maszyny należy podłączyć odpowiednie urządzenie odpylające.
Csatlakoztassa a gépet megfelelő elszívó készülékre.
Stroj priklpite na primerno sesalno napravo.
Stroj priključiti na jedan prikladni usisni uređaj.
Pievienojiet ierīci piemērotam putekļu izvades aparātam.
Prijunkite aparatą prie tinkamo dulkių siurblio.
Ühendada seadet sobiva tolmu ekstraktori juurde.
Подключите машину к подходящему пылеудаляющему устройству.
Свържете машината към подходящ уред за изсмукване.
Racordati mașina la un aspirator adecvat.
Приклучете ја машината на соодветен апарат за всмукување.
Приєднати машину до відповідного приладу для відсмоктування.
Povežite mašinu na odgovarajući uređaj za usisavanje.
Lidheni makinerinë me një pajisje thithëse të përshtatshme.

قم بتوصيل الآلة بمرشح الغبار

TECHNICAL DATA	M18 BLDDRC	M18 BLPDRC
Type	Cordless Drill Driver	Cordless percussion drill/driver
Production code	4817 09 01 XXXXX MJJJ	4817 46 01 XXXXX MJJJ
Voltage battery pack	18 V ---	18 V ---
No-load speed, 1st gear	0-550 min ⁻¹	0-550 min ⁻¹
No-load speed, 2nd gear	0-1700 min ⁻¹	0-1700 min ⁻¹
Impact range, 1st gear	–	: 0-8250 min ⁻¹
Impact range, 2nd gear	–	0-25000 min ⁻¹
Torque	60,5 Nm	60,5 Nm
Drilling capacity in wood with flat bit	32 mm	32 mm
with auger bit	25,4 mm	25,4 mm
with hole saw	51 mm	51 mm
with selffeed bit	1-3/8" (35 mm)	1-3/8" (35 mm)
Drilling capacity in brick and tile	–	10 mm
Wood screws (without pre-drilling)	13 mm	13 mm
Drill chuck range	1,6 – 13 mm	1,6 – 13 mm
Weight according EPTA-Procedure 01/2014 (2.0 Ah ... 12.0 Ah)	1,5 kg...2,8 kg	1,5...2,8 kg
Recommended ambient operating temperature	-18...+50 °C	
Recommended battery types	M18B...; M18HB...	
Recommended charger	M12-18...; M1418C6	
Noise information: Measured values determined according to EN 62841.		
Typically, the A-weighted noise levels of the tool are:		
Sound pressure level / Uncertainty K	79,32 dB(A) / 3 dB(A)	90,66 dB(A) / 3 dB(A)
Sound power level / Uncertainty K	87,32 dB(A) / 3 dB(A)	98,66 dB(A) / 3 dB(A)
Always wear ear protectors!		
Vibration information: Total vibration values (vector sum in the three axes) determined according to EN 62841.		
Vibration emission value a _v / Uncertainty K		
Impact drilling into concrete	–	8,31 m/s ² / 1,5m/s ²
Drilling into metal	1,64 m/s ² / 1,5 m/s ²	1,64 m/s ² / 1,5m/s ²
Screwing	1,44 m/s ² / 1,5m/s ²	1,44 m/s ² / 1,5 m/s ²

⚠ WARNING!

The vibration and noise emission level given in this information sheet has been measured in accordance with a standardized test given in EN 62841 and may be used to compare one tool with another. It may be used for a preliminary assessment of exposure.

The declared vibration and noise emission level represents the main applications of the tool. However if the tool is used for different applications, with different accessories or poorly maintained, the vibration and noise emission may differ. This may significantly increase the exposure level over the total working period.

An estimation of the level of exposure to vibration and noise should also take into account the times when the tool is switched off or when it is running but not actually doing the job. This may significantly reduce the exposure level over the total working period.

Identify additional safety measures to protect the operator from the effects of vibration and/or noise such as: maintain the tool and the accessories, keep the hands warm, organization of work patterns.

⚠ WARNING Read all safety warnings, instructions, illustrations and specifications provided with this power tool. Failure to follow all instructions listed below may result in electric shock, fire and/or serious injury. **Save all warnings and instructions for future reference.**

DRILL SAFETY WARNINGS

Safety instructions for all operations

Hold the power tool by insulated gripping surfaces, when performing an operation where the cutting accessory or fasteners may contact hidden wiring.

Cutting accessory or fasteners contacting a "live" wire may make exposed metal parts of the power tool "live" and could give the operator an electric shock.

Wear ear protectors when impact drilling. Exposure to noise can cause hearing loss.

Brace the tool properly before use. This tool produces a high output torque and without properly bracing the tool during operation, loss of control may occur resulting in personal injury.

Safety instructions when using long drill bits

Never operate at higher speed than the maximum speed rated of the drill bit. At higher speeds, the bit is likely to bend if allowed to rotate freely without contacting the workpiece, resulting the personal injury.

Always start drilling at low speed and with the bit tip in contact with the workpiece. At higher speeds, the bit is likely to bend if allowed to rotate freely without contacting the workpiece, resulting the personal injury.

Apply pressure only in direct line with the bit and do not apply excessive pressure. Bits can bend causing breakage or loss of control, resulting in personal injury.

ADDITIONAL SAFETY AND WORKING INSTRUCTIONS

Use protective equipment. Always wear safety glasses when working with the machine. The use of protective clothing is recommended, such as dust mask, protective gloves, sturdy non-slip footwear, helmet and ear defenders.

WARNING To reduce the risk of injury in applications that produce a considerable amount of dust, use a Milwaukee dust extraction solution in accordance with the solution's operating instructions.

The dust produced when using this tool may be harmful to health. Do not inhale the dust. Wear a suitable dust protection mask.

Do not machine any materials that present a danger to health (e.g. asbestos).

Switch the device off immediately if the insertion tool stalls! Do not switch the device on again while the insertion tool is stalled, as doing so could trigger a sudden recoil with a high reactive force. Determine why the insertion tool stalled and rectify this, paying heed to the safety instructions.

The possible causes may be:

- it is tilted in the workpiece to be machined
- it has pierced through the material to be machined
- the power tool is overloaded

Do not reach into the machine while it is running.

The insertion tool may become hot during use.

WARNING! Danger of burns

- when changing tools
- when setting the device down

Chips and splinters must not be removed while the machine is running.

When working in walls ceiling, or floor, take care to avoid electric cables and gas or waterpipes.

Clamp your workpiece with a clamping device. Unclamped workpieces can cause severe injury and damage.

Remove the battery pack before starting any work on the machine.

Do not dispose of used battery packs in the household refuse or by burning them. Milwaukee Distributors offer to retrieve old batteries to protect our environment.

Do not store the battery pack together with metal objects (short circuit risk).

Use only System M18 chargers for charging System M18 battery packs. Do not use battery packs from other systems.

Battery acid may leak from damaged batteries under extreme load or extreme temperatures. In case of contact with battery acid wash it off immediately with soap and water. In case of eye contact rinse thoroughly for at least 10 minutes and immediately seek medical attention.

Do not insert the bit on the tool when the tool is running, and switch is lock on status, the bit will be running and may hurt the user.

Warning! To reduce the risk of fire, personal injury, and product damage due to a short circuit, never immerse your tool, battery pack or charger in fluid or allow a fluid to flow inside them. Corrosive or conductive fluids, such as seawater, certain industrial chemicals, and bleach or bleach containing products, etc., can cause a short circuit.

SPECIFIED CONDITIONS OF USE

M18 BLDDRC: The battery drill/screwdriver may be used for drilling and screwdriving for independent use away from mains supply.

M18 BLPDRC: The electronic battery percussion drill/screwdriver is designed for drilling, percussion drilling, as well as screwdriving for independent use away from mains supply.

Do not use this product in any other way as stated for normal use.

RESIDUAL RISK

Even when the product is used as prescribed, it is still impossible to completely eliminate certain residual risk factors. The following hazards may arise in use and the operator should pay special attention to avoid the following:

- Injury caused by vibration
- Hold the product by designated handles and restrict working time and exposure.
- Exposure to noise can cause hearing injury. Wear ear protection and limit exposure.
- Injury due to flying debris
- Wear eye protection, heavy long trousers, gloves and substantial footwear at all times.
- Inhalation of toxic dusts.

NOTES FOR LI-ION BATTERIES

Use of Li-Ion batteries

Batteries which have not been used for some time should be recharged before use.

Temperatures in excess of 50°C (122°F) reduce the performance of the battery. Avoid extended exposure to heat or sunshine (risk of overheating).

The contacts of chargers and battery packs must be kept clean.

For an optimum life-time, the batteries have to be fully charged, after used.

To obtain the longest possible battery life remove the battery pack from the charger once it is fully charged.

For battery storage longer than 30 days:

Store the battery where the temperature is below 27°C and away from moisture

Store the battery in a 30% - 50% charged condition

Every six months of storage, charge the battery as normal.

Battery protection for Li-Ion batteries

In extremely high torque, binding, stalling and short circuit situations that cause high current draw, the tool will vibrate for about 5 seconds, the fuel gauge will flash, and then the tool will turn OFF. To reset, release the trigger.

Under extreme circumstances, the internal temperature of the battery could become too high. If this happens, the fuel gauge will flash and the battery pack cool and then continue work.

Transport of Li-Ion batteries

Lithium-ion batteries are subject to the Dangerous Goods Legislation requirements.

Transportation of those batteries has to be done in accordance with local, national and international provisions and regulations.

- The user can transport the batteries by road without further requirements.
- Commercial transport of Lithium-Ion batteries by third parties is subject to Dangerous Goods regulations. Transport preparation and transport are exclusively to be carried out by appropriately trained persons and the process has to be accompanied by corresponding experts.

When transporting batteries:

- Ensure that battery contact terminals are protected and insulated to prevent short circuit.
- Ensure that battery pack is secured against movement within packaging.
- Do not transport batteries that are cracked or leak.

Check with forwarding company for further advice














CLEANING

The ventilation slots of the machine must be kept clear at all times.

MAINTENANCE

Use only Milwaukee accessories and Milwaukee spare parts. Should components need to be replaced which have not been described, please contact one of our Milwaukee service agents (see our list of guarantee/service addresses).

If needed, an exploded view of the tool can be ordered. Please state the machine type printed as well as the six-digit No. on the label and order the drawing at your local service agents or directly at: Techtronic Industries GmbH, Max-Eyth-Straße 10, 71364 Winnenden, Germany.

	Please read the instructions carefully before starting the machine.
	CAUTION! WARNING! DANGER!
	Remove the battery pack before starting any work on the machine.
	Always wear goggles when using the machine.
	Wear ear protectors!
	Wear a suitable dust protection mask.
	Wear gloves!
	Accessory - Not included in standard equipment, available as an accessory.
	Do not dispose of waste batteries, waste electrical and electronic equipment as unsorted municipal waste. Waste batteries and waste electrical and electronic equipment must be collected separately. Waste batteries, waste accumulators and light sources have to be removed from equipment. Check with your local authority or retailer for recycling advice and collection point. According to local regulations retailers may have an obligation to take back waste batteries and Waste electrical and electronic equipment free of charge. Your contribution to re-use and recycling of waste batteries and waste electrical and electronic equipment helps to reduce the demand of raw materials. Waste batteries, in particular containing lithium and waste Electrical and electronic equipment contain valuable, recyclable materials, which can adversely impact the environment and the human health, if not disposed of in an environmentally compatible manner. Delete personal data from waste equipment, if any.
n_0	No-load-speed
V	Voltage
	Direct Current
	European Conformity Mark
	UK Conformity Mark
	Ukraine Conformity Mark
001	



EurAsian Conformity Mark

TECHNISCHE DATEN

	M18 BLDDRC	M18 BLPDRC
Bauart	Akku-Bohrschrauber	Akku-Schlagbohrschrauber
Produktionsnummer	4817 09 01 XXXXXX MJJJJ	4817 46 01 XXXXXX MJJJJ
Spannung Akkupack	18 V ---	18 V ---
Leerlaufdrehzahl im 1. Gang	0-550 min ⁻¹	0-550 min ⁻¹
Leerlaufdrehzahl im 2. Gang	0-1700 min ⁻¹	0-1700 min ⁻¹
Schlagzahl im 1. Gang	–	0-8250 min ⁻¹
Schlagzahl im 2. Gang	–	0-25000 min ⁻¹
Drehmoment	60,5 Nm	60,5 Nm
Bohr-ø in Holz mit Flachholzbohrer	32 mm	32 mm
mit Holzschlangenbohrer	25,4 mm	25,4 mm
mit Lochsäge	51 mm	51 mm
mit Selbstbohrer	1-3/8" (35 mm)	1-3/8" (35 mm)
Bohr-ø in Ziegel und Kalksandstein	–	10 mm
Holzschrauben (ohne Vorbohren)	13 mm	13 mm
Bohrfutterspannbereich	1,6 – 13 mm	1,6 – 13 mm
Gewicht nach EPTA-Prozedur 01/2014 (2.0 Ah ... 12.0 Ah)	1,5 kg...2,8 kg	1,5...2,8 kg
Empfohlene Umgebungstemperatur beim Arbeiten	-18...+50 °C	
Empfohlene Akkutypen	M18B...; M18HB...	
Empfohlene Ladegeräte	M12-18...; M1418C6	
Geräuschinformation: Messwerte ermittelt entsprechend EN 62841. Der A-bewertete Geräuschpegel des Gerätes beträgt typischerweise:		
Schalldruckpegel / Unsicherheit K	79,32 dB(A) / 3 dB(A)	90,66 dB(A) / 3 dB(A)
Schalleistungspegel / Unsicherheit K	87,32 dB(A) / 3 dB(A)	98,66 dB(A) / 3 dB(A)
Gehörschutz tragen!		
Vibrationsinformationen: Schwingungsgesamtwerte (Vektorsumme dreier Richtungen) ermittelt entsprechend EN 62841. Schwingungsemissionswert a _n / Unsicherheit K		
Schlagbohren in Beton	–	8,31 m/s ² / 1,5m/s ²
Bohren in Metall	1,64 m/s ² / 1,5 m/s ²	1,64 m/s ² / 1,5m/s ²
Schrauben	1,44 m/s ² / 1,5m/s ²	1,44 m/s ² / 1,5 m/s ²

⚠️ WARNUNG!

Die angegebenen Schwingungsgesamtwerte und Geräuschemissionswerte wurden nach einem genormten Messverfahren gemäß EN 62841 gemessen und können für den Vergleich von Elektrowerkzeugen miteinander verwendet werden. Es kann für eine vorläufige Einschätzung der Belastung verwendet werden.

Der angegebene Schwingungs- und Geräuschemissionspegel repräsentiert die hauptsächlichsten Anwendungen des Elektrowerkzeugs. Wenn allerdings das Elektrowerkzeug für andere Anwendungen, mit abweichenden Einsatzwerkzeugen oder ungenügender Wartung eingesetzt wird, können sich die Schwingungs- und Geräuschemissionen unterscheiden. Dies kann deren Wirkung über den gesamten Arbeitszeitraum deutlich erhöhen.

Bei der Abschätzung der Belastung durch Schwingungen und Lärm sollten auch die Zeiten berücksichtigt werden, in denen das Elektrowerkzeug ausgeschaltet ist oder zwar läuft, aber keine tatsächliche Arbeit verrichtet wird. Dies kann deren Wirkung über den gesamten Arbeitszeitraum deutlich reduzieren.

Legen Sie zusätzliche Sicherheitsmaßnahmen zum Schutz des Bedieners vor den Auswirkungen von Schwingungen- und / oder Lärm fest, wie z. B.: Wartung des Werkzeugs und des Zubehörs, Warmhalten der Hände, Organisation der Arbeitsabläufe.



WARNUNG! Lesen Sie alle Sicherheitshinweise, Anweisungen, Darstellungen und Spezifikationen für dieses Elektrowerkzeug. Versäumnisse bei der Einhaltung der nachstehenden Anweisungen können elektrischen Schlag, Brand und/oder schwere Verletzungen verursachen. **Bewahren Sie alle Sicherheitshinweise und Anweisungen für die Zukunft auf.**

SICHERHEITSHINWEISE FÜR BOHRMASCHINEN

Sicherheitshinweise für alle Arbeiten

Halten Sie das Gerät an den isolierten Griffflächen, wenn Sie Arbeiten ausführen, bei denen das Einsatzwerkzeug oder die Schraube verborgene Stromleitungen treffen kann. Der Kontakt des Einsatzwerkzeugs oder der Schraube mit einer spannungsführenden Leitung kann auch metallene Geräteteile unter Spannung setzen und zu einem elektrischen Schlag führen.

Tragen Sie Gehörschutz beim Schlagbohren. Die Einwirkung von Lärm kann Hörverlust bewirken.

Halten Sie das Gerät vor Arbeitsbeginn am dafür vorgesehenen Griff gut fest. Dieses Gerät erzeugt ein hohes Abtriebsdrehmoment und wenn Sie es während des Betriebs nicht gut festhalten, könnten Sie die Kontrolle darüber verlieren und sich verletzen.

Sicherheitshinweise für die Verwendung von langen Bohrern
Verwenden Sie niemals eine höhere Drehzahl als die maximale Drehzahl, die für den Bohreinsatz angegeben ist. Bei höheren Drehzahlen kann sich der Bohreinsatz verbiegen, wenn er ohne Kontakt zum Werkstück dreht, was zu Verletzungen führen kann.

Starten Sie immer mit einer niedrigen Drehzahl und während sich der Bohreinsatz in Kontakt mit dem Werkstück befindet. Bei höheren Drehzahlen kann sich der Bohreinsatz verbiegen, wenn er ohne Kontakt zum Werkstück dreht, was zu Verletzungen führen kann.

Üben Sie Druck immer nur in direkter Ausrichtung zum Bohreinsatz aus und drücken Sie nicht zu fest. Bohreinsätze können verbiegen und brechen oder zu einem Verlust der Kontrolle über das Gerät führen, wodurch es wiederum zu Verletzungen kommen kann.

WEITERE SICHERHEITS- UND ARBEITSHINWEISE

Schutzausrüstung verwenden. Beim Arbeiten mit der Maschine stets Schutzbrille tragen. Schutzkleidung wie Staubschutzmaske, Schutzhandschuhe, festes und rutschsicheres Schuhwerk, Helm und Gehörschutz werden empfohlen.

WARNUNG Um das Verletzungsrisiko bei Arbeiten mit beträchtlicher Staubentwicklung zu reduzieren, empfehlen wir die Verwendung einer Milwaukee Staubabsaugung gemäß Bedienungsanleitung.

Beim Arbeiten entstehender Staub ist oft gesundheitsschädlich und sollte nicht in den Körper gelangen. Geeignete Staubschutzmaske tragen.

Es dürfen keine Materialien bearbeitet werden, von denen eine Gesundheitsgefährdung ausgeht (z.B. Asbest).

Beim Blockieren des Einsatzwerkzeuges bitte das Gerät sofort ausschalten! Schalten Sie das Gerät nicht wieder ein, solange das Einsatzwerkzeug blockiert ist; hierbei könnte ein Rückschlag mit hohem Reaktionsmoment entstehen. Ermitteln und beheben Sie die Ursache für die Blockierung des Einsatzwerkzeuges unter Berücksichtigung der Sicherheitshinweise.

Mögliche Ursachen dafür können sein:

- Verkanten im zu bearbeitenden Werkstück
- Durchbrechen des zu bearbeitenden Materials
- Überlasten des Elektrowerkzeuges

Greifen Sie nicht in die laufende Maschine.

Das Einsatzwerkzeug kann während der Anwendung heiß werden.

WARNUNG! Verbrennungsgefahr

- bei Werkzeugwechsel
- bei Ablegen des Gerätes

Späne oder Splitter dürfen bei laufender Maschine nicht entfernt werden.

Beim Arbeiten in Wand, Decke oder Fußboden auf elektrische Kabel, Gas- und Wasserleitungen achten.

Sichern Sie Ihr Werkstück mit einer Spannvorrichtung. Nicht gesicherte Werkstücke können schwere Verletzungen und Beschädigungen verursachen.

Vor allen Arbeiten an der Maschine den Wechselakku herausnehmen

Verbrauchte Wechselakkus nicht ins Feuer oder in den Hausmüll werfen. Milwaukee bietet eine umweltgerechte Alt-Wechselakku-Entsorgung an; bitte fragen Sie Ihren Fachhändler.

Wechselakkus nicht zusammen mit Metallgegenständen aufbewahren (Kurzschlussgefahr).

Wechselakkus des Systems M18 nur mit Ladegeräten des Systems M18 laden. Keine Akkus aus anderen Systemen laden.

Unter extremer Belastung oder extremer Temperatur kann aus beschädigten Wechselakkus Batterieflüssigkeit auslaufen. Bei Berührung mit Batterieflüssigkeit sofort mit Wasser und Seife abwaschen. Bei Augenkontakt sofort mindestens 10 Minuten gründlich spülen und unverzüglich einen Arzt aufsuchen.

Setzen Sie keinen Bit ein, wenn die Maschine läuft und der Schalterdrücker verriegelt ist, da sich der Bit weiterdreht und den Nutzer dadurch verletzen kann.

Warnung! Um die durch einen Kurzschluss verursachte Gefahr eines Brandes, von Verletzungen oder Produktbeschädigungen zu vermeiden, tauchen Sie das Werkzeug, den Wechselakku oder das Ladegerät nicht in Flüssigkeiten ein und sorgen Sie dafür, dass keine Flüssigkeiten in die Geräte und Akkus eindringen. Korrodierende oder leitfähige Flüssigkeiten, wie Salzwasser, bestimmte Chemikalien und Bleichmittel oder Produkte, die Bleichmittel enthalten, können einen Kurzschluss verursachen.

BESTIMMUNGSGEMÄSSE VERWENDUNG

M18 BLDDRC: Der Akku-Bohrschrauber ist universell einsetzbar zum Bohren und Schrauben unabhängig von einem Netzanschluss.

M18 BLPDRC: Der Akku-Elektronik-Schlagbohrschrauber ist universell einsetzbar zum Bohren, Schlagbohren und Schrauben unabhängig von einem Netzanschluss.

Dieses Gerät darf nur wie angegeben bestimmungsgemäß verwendet werden.

RESTRISIKEN

Auch bei ordnungsgemäßer Verwendung können nicht alle Restrisiken ausgeschlossen werden. Beim Gebrauch können folgende Gefahren entstehen, auf die der Bediener besonders achten sollte:

- Durch Vibration verursachte Verletzungen. Halten Sie das Gerät an den dafür vorgesehenen Griffen und begrenzen Sie die Arbeits- und Expositionszeit.
- Lärmbelastung kann zu Gehörschädigungen führen. Tragen Sie einen Gehörschutz und schränken Sie die Expositionsdauer ein.
- Durch Schmutzpartikel verursachte Augenverletzungen. Tragen Sie immer eine Schutzbrille, feste lange Hosen, Handschuhe und festes Schuhwerk. Einatmen von giftigen Stäuben.

HINWEISE FÜR LI-ION-AKKUS

Gebrauch von Li-Ion-Akkus

Längere Zeit nicht benutzte Akkus vor Gebrauch nachladen.

Eine Temperatur über 50°C vermindert die Leistung des Akkus. Längere Erwärmung durch Sonne oder Heizung vermeiden.

Die Anschlusskontakte an Ladegerät und Wechselakku sauber halten.

Für eine optimale Lebensdauer müssen nach dem Gebrauch die Akkus voll geladen werden.

Für eine möglichst lange Lebensdauer sollten die Akkus nach dem Aufladen aus dem Ladegerät entfernt werden.

Bei Lagerung des Akkus länger als 30 Tage: Akku an einem trockenen Ort bei einer Temperatur unter 27 °C lagern.

Akku bei ca. 30%-50% des Ladezustandes lagern. Akku alle 6 Monate erneut aufladen.

Akkuüberlastschutz bei Li-Ion-Akkus

Bei Überlastung des Akkus durch sehr hohen Stromverbrauch, z.B. extrem hohe Drehmomente, Verklemmen des Bohrers, plötzlichem Stopp oder Kurzschluss, vibriert das Elektrowerkzeug 5 Sekunden lang, die Ladeanzeige blinkt und das Elektrowerkzeug schaltet sich selbsttätig ab.

Zum Wiedereinschalten, den Schalterdrücker loslassen und dann wieder einschalten. Unter extremen Belastungen erhitzt sich der Akku zu stark. In diesem Fall blinken alle Lampen der Ladeanzeige bis der Akku abgekühlt ist. Nach Erlöschen der Ladeanzeige kann weitergearbeitet werden.

Transport von Li-Ion-Akkus

Lithium-Ionen-Akkus fallen unter die gesetzlichen Bestimmungen zum Gefahrguttransport.

Der Transport dieser Akkus muss unter Einhaltung der lokalen, nationalen und internationalen Vorschriften und Bestimmungen erfolgen.

- Verbraucher dürfen diese Akkus ohne Weiteres auf der Straße transportieren.
- Der kommerzielle Transport von Lithium-Ionen-Akkus durch Speditionsunternehmen unterliegt den Bestimmungen des Gefahrguttransports. Die Versandvorbereitungen und der Transport dürfen ausschließlich von entsprechend geschulten Personen durchgeführt werden. Der gesamte Prozess muss fachmännisch begleitet werden.

Folgende Punkte sind beim Transport von Akkus zu beachten:

- Stellen Sie sicher, dass die Kontakte geschützt und isoliert sind, um Kurzschlüsse zu vermeiden.
- Achten Sie darauf, dass der Akkupack innerhalb der Verpackung nicht verrutschen kann.
- Beschädigte oder auslaufende Akkus dürfen nicht transportiert werden.

Wenden Sie sich für weitere Hinweise an Ihr Speditionsunternehmen.

REINIGUNG










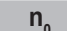
Stets die Lüftungsschlitze der Maschine sauber halten.







WARTUNG

Nur Milwaukee Zubehör und Milwaukee Ersatzteile verwenden. Bauteile, deren Austausch nicht beschrieben wurde, bei einer Milwaukee Kundendienststelle auswechseln lassen (Broschüre Garantie/Kundendienstadressen beachten).

Bei Bedarf kann eine Explosionszeichnung des Gerätes unter Angabe der Maschinen Type und der sechsstelligen Nummer auf dem Leistungsschild bei Ihrer Kundendienststelle oder direkt bei Techtronic Industries GmbH, Max-Eyth-Straße 10, 71364 Winnenden, Germany angefordert werden.

SYMBOLE

	Bitte lesen Sie die Gebrauchsanweisung vor Inbetriebnahme sorgfältig durch.
	ACHTUNG! WARNUNG! GEFAHR!
	Vor allen Arbeiten an der Maschine den Wechselakku herausnehmen
	Beim Arbeiten mit der Maschine stets Schutzbrille tragen.
	Gehörschutz tragen!
	Geeignete Staubschutzmaske tragen.
	Schutzhandschuhe tragen!
	Zubehör - Im Lieferumfang nicht enthalten, empfohlene Ergänzung aus dem Zubehörprogramm.
	Altbatterien, Elektro- und Elektronik-Altgeräte dürfen nicht zusammen mit dem Hausmüll entsorgt werden. Altbatterien, Elektro- und Elektronik-Altgeräte sind getrennt zu sammeln und zu entsorgen. Entfernen Sie Altbatterien, Altalkumulatoren und Leuchtmittel vor dem Entsorgen aus den Geräten. Erkundigen Sie sich bei den örtlichen Behörden oder bei Ihrem Fachhändler nach Recyclinghöfen und Sammelstellen. Je nach den örtlichen Bestimmungen können Einzelhändler verpflichtet sein, Altbatterien, Elektro- und Elektronik-Altgeräte kostenlos zurückzunehmen. Tragen Sie durch Wiederverwendung und Recycling Ihrer Altbatterien, Elektro- und Elektronik-Altgeräte dazu bei, den Bedarf an Rohmaterialien zu verringern. Altbatterien (vor allem Lithium-Ionen-Batterien), Elektro- und Elektronik-Altgeräte enthalten wertvolle, wiederverwertbare Materialien, die bei nicht umweltgerechter Entsorgung negative Auswirkungen auf die Umwelt und Ihre Gesundheit haben können. Löschen Sie vor der Entsorgung möglicherweise auf Ihrem Altgerät vorhandene personenbezogene Daten.
	Leeraufladzahl

	Spannung
	Gleichstrom
	Europäisches Konformitätszeichen
	Britisches Konformitätszeichen
	Ukrainisches Konformitätszeichen
	Euroasiatisches Konformitätszeichen

CARACTÉRISTIQUES TECHNIQUES	M18 BLDDRC	M18 BLPDRC
Type	Visseuse sans fil	Perceuse Visseuse à percussion sans fil
Numéro de série	4817 09 01 XXXXXX MJJJJ	4817 46 01 XXXXXX MJJJJ
Voltage batterie	18 V ---	18 V ---
Vitesse de rotation à vide 1ère vitesse	0-550 min ⁻¹	0-550 min ⁻¹
Vitesse de rotation 2ème vitesse	0-1700 min ⁻¹	0-1700 min ⁻¹
Perçage à percussion 1ère vitesse	–	: 0-8250 min ⁻¹
Perçage à percussion 2ème vitesse	–	0-25000 min ⁻¹
Couple	60,5 Nm	60,5 Nm
Ø de perçage dans bois avec mèche plate	32 mm	32 mm
avec mèche à bois	25,4 mm	25,4 mm
avec scie cloche	51 mm	51 mm
avec mèche à façonner auto-pénétrante	1-3/8" (35 mm)	1-3/8" (35 mm)
Ø de perçage dans brique et grès argilo-calcaire	–	10 mm
Vis à bois (sans avant trou)	13 mm	13 mm
Plage de serrage du mandrin	1,6 – 13 mm	1,6 – 13 mm
Poids suivant EPTA-Procédure 01/2014 (2.0 Ah ... 12.0 Ah)	1,5 kg...2,8 kg	1,5...2,8 kg
Température conseillée lors du travail		-18...+50 °C
Batteries conseillées		M18B...; M18HB...
Chargeurs de batteries conseillés		M12-18...; M1418C6
Informations sur le bruit: Valeurs de mesure obtenues conformément à la EN 62841.		
Les mesures réelles (des niveaux acoustiques de l'appareil sont :		
Niveau de pression acoustique / Incertitude K	79,32 dB(A) / 3 dB(A)	90,66 dB(A) / 3 dB(A)
Niveau d'intensité acoustique / Incertitude K	87,32 dB(A) / 3 dB(A)	98,66 dB(A) / 3 dB(A)
Toujours porter une protection acoustique!		
Informations sur les vibrations: Valeurs totales des vibrations (somme vectorielle de trois sens) établies conformément à EN 62841.		
Valeur d'émission vibratoire a _v / Incertitude K		
Perçage à percussion dans le béton	–	8,31 m/s ² / 1,5m/s ²
Perçage dans le métal	1,64 m/s ² / 1,5 m/s ²	1,64 m/s ² / 1,5m/s ²
Vissage	1,44 m/s ² / 1,5m/s ²	1,44 m/s ² / 1,5 m/s ²

A AVERTISSEMENT!

Le niveau de vibration et d'émissions sonores indiqué dans cette fiche de données a été mesuré en respect d'une méthode standard de test selon la norme EN 62841 et peut être utilisé pour comparer les outils entre eux. Il peut être utilisé pour évaluation préliminaire de l'exposition.

Le niveau de vibration et d'émissions sonores déclaré correspond à l'application principale de l'outil. Cependant, si l'outil est utilisé pour des applications différentes, avec différents accessoires ou est mal entretenu, les vibrations et les émissions sonores peuvent différer. Cela peut augmenter considérablement le niveau d'exposition au cours de la période de travail totale.

Une estimation du niveau d'exposition aux vibrations et au bruit devrait également tenir compte des temps d'arrêt de l'outil ou des périodes où il est en marche mais n'effectue pas réellement le travail. Cela peut réduire considérablement le niveau d'exposition au cours de la période de travail totale.

Identifier des mesures de sécurité supplémentaires pour protéger l'opérateur des effets des vibrations et/ou du bruit tels que : l'entretien de l'outil et des accessoires, le maintien au chaud des mains, l'organisation des processus de travail.

A AVERTISSEMENT! Lire tous les avertissements de sécurité, les instructions opérationnelles, les illustrations et les spécifications fournies avec cet outil électrique. La non observance des instructions mentionnées ci-dessous peut causer des chocs électriques, des incendies ou de graves blessures.

Bien garder tous les avertissements et instructions.

INSTRUCTIONS DE SÉCURITÉ POUR PERCEUSES

Consignes de sécurité à suivre pour tous les types d'applications

Tenir l'outil électrique par les surfaces adhérentes et isolées lorsque l'opération nécessite d'utiliser un accessoire découplant ou une attache pouvant entrer en contact avec un câble non visible. Les accessoires découplant ou les attaches entrant en contact avec un câble « sous tension » peuvent « électriser » les pièces en métal de l'outil et entraîner un choc électrique pour l'opérateur.

Porter un casque de protection au cours du perçage à percussion. L'exposition au bruit pourrait provoquer une diminution de l'ouïe.

Avant tout travail, maintenez fermement l'appareil par la poignée prévue à cet effet. Cet appareil produit un couple de sortie élevé. Si vous ne le maintenez pas correctement lorsqu'il est en cours de

fonctionnement, vous pouvez en perdre le contrôle et vous blesser.

Consignes de sécurité pour l'utilisation de forêts longs

N'utilisez jamais une vitesse de rotation plus élevée que la vitesse maximale indiquée pour le forêt. Si la vitesse est plus élevée, le forêt peut se tordre s'il tourne sans être en contact avec la pièce à usiner, ce qui peut entraîner des blessures.

Commencez toujours à percer avec une vitesse faible lorsque le forêt se trouve en contact avec la pièce à usiner. Si la vitesse est plus élevée, le forêt peut se tordre s'il tourne sans être en contact avec la pièce à usiner, ce qui peut entraîner des blessures.

Exercez toujours une pression uniquement dans l'orientation directe du forêt. N'appuyez pas trop fort. Les forêts peuvent se tordre et se rompre ou entraîner une perte de contrôle de l'appareil, ce qui peut entraîner des blessures.

AVIS COMPLÉMENTAIRES DE SÉCURITÉ ET DE TRAVAIL

Utiliser l'équipement de protection. Toujours porter des lunettes de protection pendant le travail avec la machine. Il est recommandé de porter des articles de protection, tels que masque antipoussière, gants de protection, chaussures tenant bien aux pieds et antidérapantes,

casque et protection acoustique.

AVERTISSEMENT Afin de réduire le risque de blessure lors des travaux produisant une quantité de poussière importante, nous vous recommandons d'utiliser un système d'aspiration des poussières Milwaukee conformément au manuel d'utilisation.

Les poussières qui sont dégagées pendant les travaux sont souvent nocives pour la santé et ne devraient pas pénétrer dans le corps. Porter un masque de protection approprié contre les poussières.

Il est interdit de travailler des matériaux dangereux pour la santé (par ex. amiante).

Désactiver immédiatement le dispositif en cas de blocage ! Ne pas réactiver le dispositif avec l'outil bloqué; il y a le risque de provoquer un contrecoup avec moment de réaction élevé. Établir et éliminer la cause du blocage de l'outil en prêtant attention aux consignes de sécurité.

Les causes possibles sont :

- Encastrement dans la pièce à travailler.
- Le dispositif a traversé le matériau à travailler en le cassant.
- Le dispositif électrique a été surchargé.

Ne pas approcher les mains de la partie en mouvement de la machine.

Durant l'utilisation, l'outil peut se surchauffer.

AVERTISSEMENT! Danger de brûlures

- durant le remplacement de l'outil
- durant la dépose de l'outil

Ne jamais enlever les copeaux ni les éclats lorsque la machine est en marche.

Lors du perçage dans les murs, les plafonds ou les planchers, toujours faire attention aux câbles électriques et aux conduites de gaz et d'eau.

Fixer fermement la pièce en exécution à l'aide d'un dispositif de serrage. Des pièces en exécution non fermement fixées peuvent provoquer des dommages et des lésions graves.

Avant tous travaux sur la machine retirer l'accu interchangeable.

Ne pas jeter les accus interchangeables usés au feu ou avec les déchets ménagers. Milwaukee offre un système d'évacuation écologique des accus usés.

Ne pas conserver les accus interchangeables avec des objets métalliques (risque de court-circuit)

Ne charger les accus interchangeables du système M18 qu'avec le chargeur d'accus du système M18. Ne pas charger des accus d'autres systèmes.

En cas de conditions ou températures extrêmes, du liquide caustique peut s'échapper d'un accu interchangeable endommagé. En cas de contact avec le liquide caustique de la batterie, laver immédiatement avec de l'eau et du savon. En cas de contact avec les yeux, rincer soigneusement avec de l'eau et consulter immédiatement un médecin.

N'insérer aucune mèche sur l'outil lorsque l'outil est en marche et que le commutateur est verrouillé car la mèche continuerait de tourner et pourrait blesser l'utilisateur.

Avertissement! Pour réduire le risque d'incendie, de blessures corporelles et de dommages causés par un court-circuit, ne jamais immerger l'outil, le bloc-piles ou le chargeur dans un liquide ou laisser couler un fluide à l'intérieur de celui-ci. Les fluides corrosifs ou conducteurs, tels que l'eau de mer, certains produits chimiques industriels, les produits de blanchiment ou de blanchiment, etc., peuvent provoquer un court-circuit.

UTILISATION CONFORME AUX PRESCRIPTIONS

M18 BLDDRC: La perceuse-visseuse à accu est conçue pour un travail universel de perçage et de vissage sans être branchée sur le secteur.

M18 BLPDRC: La perceuse-visseuse à percussion électronique à accu est conçue pour un travail universel de perçage à percussion, de perçage et de vissage sans être branchée sur le secteur.

Comme déjà indiqué, cette machine n'est conçue que pour être utilisée conformément aux prescriptions.

RISQUES RÉSIDUELS

Même en cas d'utilisation correcte, il n'est pas possible d'exclure tous les risques résiduels. Lors de l'utilisation, les risques suivants pourront être présents et l'utilisateur devra prêter une attention particulière en vue

de les éviter :

- Blessures causées par les vibrations. Tenir le dispositif à l'aide de ses poignées et limiter les temps de travail et d'exposition.
 - L'exposition au bruit peut causer des dommages auditifs. Porter une protection auditive et limiter la durée de l'exposition.
 - Lésions oculaires causées par des particules de déchets. Toujours porter des lunettes de sécurité, de pantalon long lourd, des gants et des chaussures robustes.
- Inhalation de gaz toxiques.

REMARQUE CONCERNANT LES ACCUS LI-ION

Utilisation d'accus Li-ion

Recharger les accus avant utilisation après une longue période de non utilisation.

Une température supérieure à 50°C amoindrit la capacité des accus. Éviter les expositions prolongées au soleil ou au chauffage.

Tenir propres les contacts des accus et des chargeurs.

Pour une durée de vie optimale, les accus doivent être chargés à fond après l'utilisation.

Pour une plus longue durée de vie, enlever les batteries du chargeur de batterie quand celles-ci seront chargées.

En cas d'entreposage de la batterie pour plus de 30 jours: Stockez l'accu dans un endroit sec où la température est inférieure à 27 °C.

Entreposer la batterie avec une charge d'environ 30% - 50%. Recharger la batterie tous les 6 mois.

Protection des accus Li-ion

En cas d'une surcharge de l'accu à cause d'une très haute consommation de courant, par exemple suite à des couples extrêmement élevés, un coincement du forêt, un arrêt soudain ou un court-circuit, l'outil électrique vibre pendant 5 secondes, l'indicateur de charge clignote et l'outil électrique se déconnecte automatiquement. Pour le ré-enclencher, relâcher le poussoir de l'interrupteur, puis enclencher à nouveau l'appareil. Sous des sollicitations extrêmes, l'accu s'échauffe trop fortement. Dans ce cas, tous les témoins de l'indicateur de charge clignotent jusqu'à ce que l'accu se soit refroidi. Il est possible de continuer à travailler dès que l'indicateur de charge s'est éteint.

Transport des accus Li-ion

Les batteries lithium-ion sont soumises aux dispositions législatives concernant le transport de produits dangereux.

Le transport de ces batteries devra s'effectuer dans le respect des dispositions et des normes locales, nationales et internationales.

- Les utilisateurs peuvent transporter ces batteries sans restrictions.
- Le transport commercial de batteries lithium-ion est réglé par les dispositions concernant le transport de produits dangereux. La préparation au transport et le transport devront être effectués uniquement par du personnel formé de façon adéquate. Tout le procédé devra être géré d'une manière professionnelle.

Durant le transport de batteries il faut respecter les consignes suivantes :

- S'assurer que les contacts soient protégés et isolés en vue d'éviter des courts-circuits.
- S'assurer que le groupe de batteries ne puisse pas se déplacer à l'intérieur de son emballage.
- Des batteries endommagées ou des batteries perdant du liquide ne devront pas être transportées.

Pour tout renseignement complémentaire veuillez vous adresser à votre transporteur professionnel.

NETTOYAGE

Tenir toujours propres les orifices de ventilation de la machine.

ENTRETIEN

Utiliser uniquement les accessoires Milwaukee et les pièces détachées Milwaukee. Faire remplacer les composants dont le remplacement n'a pas été décrit, par un des centres de service après-vente Milwaukee (observer la brochure avec les adresses de garantie et de service après-vente).

En cas de besoin il est possible de demander un dessin éclaté du dispositif en indiquant le modèle de la machine et le numéro de six chiffres imprimé sur la plaquette de puissance et en s'adressant au centre d'assistance technique ou directement à Techtronic Industries GmbH, Max-Eyth-Straße 10, 71364 Winnenden, Germany.

SYMBOLES

	Veillez lire avec soin le mode d'emploi avant la mise en service
	ATTENTION! AVERTISSEMENT! DANGER!
	Avant tous travaux sur la machine retirer l'accu interchangeable.
	Toujours porter des lunettes protectrices en travaillant avec la machine.
	Toujours porter une protection acoustique!
	Porter un masque de protection approprié contre les poussières.
	Porter des gants de protection!
	Accessoires - Ces pièces ne font pas partie de la livraison. Il s'agit là de compléments recommandés pour votre machine et énumérés dans le catalogue des accessoires.



Les déchets de piles et les déchets d'équipements électriques et électroniques (déchets d'équipements électriques et électroniques) ne sont pas à éliminer dans les déchets ménagers. Les déchets de piles et les déchets d'équipements électriques et électroniques doivent être collectés et éliminer séparément.

Retirez les déchets de piles, les déchets d'accumulateurs et les ampoules des appareils avant de les jeter.

S'adresser aux autorités locales ou au détaillant spécialisé en vue de connaître l'emplacement des centres de recyclage et des points de collecte.

Selon les réglementations locales, les détaillants peuvent être tenus de reprendre gratuitement les déchets de piles et les déchets d'équipements électriques et électroniques.

Contribuez à réduire la demande de matières premières en réutilisant et en recyclant vos déchets de piles et d'équipements électriques et électroniques. Les déchets de piles (surtout les piles au lithium-ion) et les déchets d'équipements électriques et électroniques comportent des matériaux précieux et recyclables qui peuvent avoir des impacts négatifs sur l'environnement et sur votre santé s'ils ne sont pas éliminés de manière écologique.

Avant de mettre au rebut votre ancien appareil, supprimez les données personnelles qui pourraient s'y trouver.



n_0	Nombre de tours à vide
V	Voltage
	Courant continu
	Marque de conformité européenne
	Marque de conformité britannique
	Marque de conformité ukrainienne
001	
	Marque de conformité d'Eurasie

DATI TECNICI	M18 BLDRC	M18 BLPDC
Tipo di costruzione	Avvitatore a batteria	Trapano avvitatore a batteria
Numero di serie	4817 09 01 XXXXXX MJJJJ	4817 46 01 XXXXXX MJJJJ
Voltaggio batteria	18 V ---	18 V ---
Numero di giri a vuoto in 1. Velocità	0-550 min ⁻¹	0-550 min ⁻¹
Numero di giri a vuoto in 2. Velocità	0-1700 min ⁻¹	0-1700 min ⁻¹
Percussione a pieno in 1. velocità	–	0-8250 min ⁻¹
Percussione a pieno in 2. velocità	–	0-25000 min ⁻¹
Momento torcente	60,5 Nm	60,5 Nm
Ø Foratura in legno con punta piatta	32 mm	32 mm
con punta a coclea	25,4 mm	25,4 mm
con sega per fori	51 mm	51 mm
con punta ad avanzamento automatico	1-3/8" (35 mm)	1-3/8" (35 mm)
Ø Foratura in mattone e in arenaria calcarea	–	10 mm
Avvitatore nel legno (senza preforatura)	13 mm	13 mm
Capacità mandrino	1,6 – 13 mm	1,6 – 13 mm
Peso secondo la procedura EPTA 01/2014 (2.0 Ah ... 12.0 Ah)	1,5 kg...2,8 kg	1,5...2,8 kg
Temperatura consigliata durante il lavoro	-18...+50 °C	
Batterie consigliate	M18B...; M18HB...	
Caricatori consigliati	M12-18...; M1418C6	
Informazioni sulla rumorosità: Valori misurati conformemente alla norma EN 62841.		
La misurazione A del livello di pressione acustica dell'utensile è di solito di:		
Livello di rumorosità / Incertezza della misura K	79,32 dB(A) / 3 dB(A)	90,66 dB(A) / 3 dB(A)
Potenza della rumorosità / Incertezza della misura K	87,32 dB(A) / 3 dB(A)	98,66 dB(A) / 3 dB(A)
Utilizzare le protezioni per l'udito!		
Informazioni sulle vibrazioni: Valori totali delle oscillazioni (somma di vettori in tre direzioni) misurati conformemente alla norma EN 62841.		
Valore di emissione dell'oscillazione a _h / Incertezza della misura K		
Perforazione a percussione	–	8,31 m/s ² / 1,5m/s ²
Perforazione in metallo	1,64 m/s ² / 1,5 m/s ²	1,64 m/s ² / 1,5m/s ²
Avvitatura	1,44 m/s ² / 1,5m/s ²	1,44 m/s ² / 1,5 m/s ²

AVVERTENZA!

Il/i valore/i di emissione acustica riportato/i in questa scheda informativa sono stati misurati conformemente a un metodo di prova standard sulla base della norma EN 62841 e possono essere utilizzati per confrontare gli utensili tra loro. Può/possono essere utilizzato/i anche per una valutazione preliminare dell'esposizione.

Il livello di vibrazione ed emissione acustica dichiarato rappresenta le applicazioni principali dell'utensile. Tuttavia, se l'utensile è utilizzato per applicazioni diverse, con accessori differenti o una manutenzione non adeguata, la vibrazione e l'emissione acustica potrebbero variare. Ciò può aumentare significativamente il livello di esposizione durante l'intera durata del lavoro.

Una stima del livello di esposizione alle vibrazioni e al rumore dovrebbe tenere conto anche dei periodi in cui l'utensile è spento o è in funzione ma non sta lavorando. Ciò può ridurre significativamente il livello di esposizione durante l'intera durata del lavoro.

Identificare le misure di sicurezza supplementari per proteggere l'operatore dagli effetti delle vibrazioni e/o del rumore, ad esempio eseguendo la manutenzione dell'utensile e degli accessori, mantenendo le mani calde e organizzando gli schemi di lavoro.

AVVERTENZA! Leggere tutte le avvertenze di sicurezza, istruzioni operative, illustrazioni e specifiche fornite con questo elettro-utensile. Il mancato rispetto delle istruzioni di seguito riportate può causare scosse elettriche, incendi e/o lesioni gravi. **Conservare tutte le avvertenze di pericolo e le istruzioni operative per ogni esigenza futura.**

sull'apposita impugnatura. Questo dispositivo genera un'alta coppia motrice e se non viene afferrato bene durante l'uso, potrebbe perderne il controllo e ferirvi.

Avvertenze di sicurezza per l'uso di punte lunghe

Non usare mai un numero di giri superiore a quello massimo indicato per la punta da trapano. Lavorando con un numero di giri superiore, la punta potrebbe piegarsi quando gira senza contatto con il pezzo in lavorazione e potrebbe causare lesioni.

Iniziare sempre con un numero di giri basso e con la punta in contatto con il pezzo in lavorazione. Lavorando con un numero di giri superiore, la punta potrebbe piegarsi quando gira senza contatto con il pezzo in lavorazione e potrebbe causare lesioni.

Esercitare pressione soltanto nella stessa direzione della punta e non premere troppo. Le punte potrebbero piegarsi e rompersi o potrebbero causare la perdita di controllo sul dispositivo, il che a sua volta potrebbe causare lesioni.

INDICAZIONI DI SICUREZZA PER TRAPANI

Istruzioni di sicurezza per tutte le operazioni

Tenere l'utensile elettrico con superfici di presa isolate, quando si esegue un'operazione in cui l'accessorio da taglio o gli elementi di fissaggio potrebbero toccare cavi nascosti. L'accessorio da taglio o gli elementi di fissaggio che entrano in contatto con un filo „vivo“ possono rendere „vive“ parti metalliche esposte dell'attrezzo elettrico e possono provocare scosse elettriche all'operatore.

Indossare cuffie protettive durante la trapanatura a percussione. L'esposizione al rumore potrebbe comportare una riduzione dell'udito.

Prima di iniziare il lavoro, afferrare bene il dispositivo

ULTERIORI AVVISI DI SICUREZZA E DI LAVORO

Usare dispositivi di protezione. Durante il lavoro con la macchina bisogna sempre portare occhiali di protezione. Si consiglia di indossare indumenti di protezione come maschera antipolvere, guanti di protezione, scarpe antiscivolo robuste, casco e cuffie di protezione acustica.

AVVERTENZA Per ridurre il rischio di lesioni durante le lavorazioni con notevole sviluppo di polvere, si consiglia di usare un sistema di aspirazione polveri Milwaukee conformemente alle istruzioni per l'uso.

La polvere che si produce durante il lavoro è spesso dannosa per la salute e non dovrebbe essere aspirata. Portare un'adeguata mascherina protettiva.

E' vietato lavorare materiali che possono costituire pericoli alla salute (ad es. amianto).

Spegnere immediatamente il dispositivo in caso di bloccaggio! Non riaccendere il dispositivo fino a quando l'utensile ad inserto resta bloccato; esiste il rischio di causare un contraccolpo con elevato momento di reazione. Rilevare ed eliminare la causa del bloccaggio dell'utensile ad inserto tenendo conto delle indicazioni di sicurezza.

Le possibili cause sono:

- Incastro nel pezzo in lavorazione
- Il dispositivo ha attraversato il materiale da lavorare rompendolo
- Il dispositivo elettrico è stato sovraccaricato

Non avvicinare le mani alla parte della macchina in movimento.

Durante l'uso l'utensile ad inserto può surriscaldarsi.

- AVVERTENZA!** Pericolo di ustioni
- durante la sostituzione dell'utensile
 - durante il deposito dell'utensile

Non rimuovere trucioli o schegge mentre l'utensile è in funzione.

Forando pareti, soffitti o pavimenti, si faccia attenzione ai cavi elettrici e alle condutture dell'acqua e del gas.

Fissare in sicurezza il pezzo in lavorazione con un dispositivo di serraggio. Pezzi in lavorazione che non siano fissati in sicurezza possono causare gravi lesioni e danni.

Prima di iniziare togliere la batteria dalla macchina.

Non gettare le batterie esaurite sul fuoco o nella spazzatura di casa. La Milwaukee offre infatti un servizio di recupero batterie usate.

Nel vano d'innesto per la batteria del caricatore non devono entrare parti metalliche (pericolo di cortocircuito).

Le batterie del System M18 sono ricaricabili esclusivamente con i caricatori del System M18. Le batterie di altri sistemi non possono essere ricaricate.

Nel caso di batterie danneggiate da un carico eccessivo o da temperature alte, l'acido di queste potrebbe fuoriuscire. In caso di contatto con l'acido delle batterie lavarsi immediatamente con acqua e sapone. In caso di contatto con gli occhi risciacquare immediatamente con acqua per almeno 10 minuti e contattare subito un medico.

Non inserire la punta sull'utensile quando l'utensile è in funzione e l'interruttore è in stato di blocco, la punta girerà e potrebbe ferire l'utente.

Attenzione! Per ridurre il rischio d'incendio, di lesioni o di danni al prodotto causati da corto circuito, non immergere mai l'utensile, la batteria ricaricabile o il carica batterie in un liquido e non lasciare mai penetrare alcun liquido all'interno dei dispositivi e delle batterie. I fluidi corrosivi o conduttori come acqua salata, alcuni agenti chimici, agenti candeggianti o prodotti contenenti agenti candeggianti potrebbero provocare un corto circuito.

UTILIZZO CONFORME

M18 BLDDRC: Il trapano-avvitatore Accu è utilizzabile universalmente per forare e avvitare indipendentemente dal collegamento elettrico.

M18 BLPDRC: Il trapano a percussione-avvitatore Accu è indicato per forare a rotazione, a percussione, per avvitare, indipendentemente dal collegamento elettrico.

Utilizzare il prodotto solo per l'uso per cui è previsto.

RISCHI RESIDUI

Anche in caso di utilizzo corretto non è possibile escludere tutti i rischi residui. Durante l'uso possono esistere i seguenti pericoli e l'utilizzatore deve porre particolare attenzione per evitarli:

- Lesioni causate da vibrazioni. Tenere il dispositivo sulle apposite impugnature e limitare i tempi di lavoro e di esposizione.
- L'esposizione al rumore può causare danni all'udito. Indossare una protezione per l'udito e limitare la durata dell'esposizione.
- Lesioni agli occhi causate da particelle di detriti. Indossare sempre occhiali di protezione, pantaloni lunghi pesanti, guanti e scarpe robuste. Inalazione di polveri tossiche.

NOTE PER BATTERIE AGLI IONI DI LITIO

Uso di batterie agli ioni di litio

Batterie non utilizzate per molto tempo devono essere ricaricate prima dell'uso.

A temperature superiori ai 50°C, la potenza della batteria si riduce. Evitare il riscaldamento prolungato dal sole o il riscaldamento.

Evitare di esporre l'accumulatore a surriscaldamento prolungato, dovuto ad esempio ai raggi del sole o ad un impianto di riscaldamento.

Per una ottimale vita utile è necessario ricaricare completamente le batterie dopo l'uso.

Per una più lunga durata, rimuovere le batterie dal caricabatterie quando saranno cariche.

In caso di immagazzinaggio della batteria per più di 30 giorni: Conservare la batteria in un luogo asciutto e a una temperatura inferiore ai 27 °C.

Immagazzinare la batteria con carica di circa il 30% - 50%.

Ricaricare la batteria ogni 6 mesi.

Protezione contro il sovraccarico di batterie agli ioni di litio

In caso di sovraccarico dell'accumulatore dovuto ad un consumo molto elevato di corrente, ad es. momenti di coppia estremamente elevati, bloccaggio della punta del trapano, arresto improvviso o corto circuito, l'utensile elettrico vibra per 5 secondi, il display di carica lampeggia e l'elettrodotensile si spegne automaticamente. Per riaccenderlo rilasciare l'interruttore e poi riaccenderlo. Se sottoposto a sollecitazioni estreme l'accumulatore si riscalda eccessivamente. In questo caso lampeggiano tutte le spie del display di carica finché l'accumulatore non è raffreddato. Quando il display di carica si spegne si può continuare a lavorare.

Trasporto di batterie agli ioni di litio

Le batterie agli ioni di litio sono soggette alle disposizioni di legge sul trasporto di merce pericolosa.

Il trasporto di queste batterie deve avvenire rispettando le disposizioni e norme locali, nazionali ed internazionali.

- Gli utilizzatori possono trasportare queste batterie su strada senza alcuna restrizione.
- Il trasporto commerciale di batterie agli ioni di litio è regolato dalle disposizioni sul trasporto di merce pericolosa. Le preparazioni al trasporto ed il trasporto stesso devono essere svolti esclusivamente da persone idoneamente istruite. Tutto il processo deve essere gestito in maniera professionale.

Durante il trasporto di batterie occorre tenere conto di quanto segue:

- Assicurarsi che i contatti siano protetti ed isolati per evitare corto circuiti.
- Accertarsi che il gruppo di batterie non possa spostarsi all'interno dell'imballaggio.
- Batterie danneggiate o batterie che perdono liquido non devono essere trasportate.

Per ulteriori informazioni si prega di contattare il proprio trasportatore.

PULIZIA

Tener sempre ben pulite le fessure di ventilazione dell'apparecchio.

MANUTENZIONE

Usare solo accessori Milwaukee e pezzi di ricambio Milwaukee. Gruppi costruttivi la cui sostituzione non è stata descritta, devono essere fatti cambiare da un punto di servizio di assistenza tecnica al cliente Milwaukee (vedi depliant garanzia/indirizzi assistenza tecnica ai clienti).

In caso di necessità è possibile richiedere un disegno esploso del dispositivo indicando il modello della macchina ed il numero a sei cifre sulla targa di potenza rivolgendosi al centro di assistenza tecnica o direttamente a Techtronic Industries GmbH, Max-Eyth-Straße 10, 71364 Winnenden, Germany.

SIMBOLI



Leggere attentamente le istruzioni per l'uso prima di mettere in funzione l'elettrodotensile.



ATTENZIONE! AVVERTENZA! PERICOLO!



Prima di iniziare togliere la batteria dalla macchina.



Durante l'uso dell'apparecchio utilizzare sempre gli occhiali di protezione.



Utilizzare le protezioni per l'udito!



Portare un'adeguata mascherina protettiva.



Indossare guanti protettivi!



Accessorio - Non incluso nella dotazione standard, disponibile a parte come accessorio.



I rifiuti di pile e i rifiuti di apparecchiature elettriche ed elettroniche non devono essere smaltiti insieme ai rifiuti domestici. I rifiuti di pile e di apparecchiature elettriche ed elettroniche devono essere raccolti e smaltiti separatamente. Rimuovere i rifiuti di pile e di accumulatori nonché le sorgenti luminose dalle apparecchiature prima di smaltirle. Chiedere alle autorità locali o al rivenditore specializzato dove si trovano i centri di riciclaggio e i punti di raccolta. A seconda dei regolamenti locali, i rivenditori al dettaglio possono essere obbligati a ritirare gratuitamente i rifiuti di pile e i rifiuti di apparecchiature elettriche ed elettroniche. Aiutate a ridurre il fabbisogno di materie prime riutilizzando e riciclando i propri rifiuti di pile e di apparecchiature elettriche ed elettroniche. I rifiuti di pile (specialmente di pile agli ioni di litio) e i rifiuti di apparecchiature elettriche ed elettroniche contengono materiali preziosi e riciclabili che possono avere un impatto negativo sull'ambiente e sulla vostra salute se non vengono smaltiti in modo ecologico. Cancellare tutti i dati personali che potrebbero essere presenti sul vostro rifiuto di apparecchiatura prima di procedere allo smaltimento.

n_0

Numero di giri a vuoto

	Voltaggio
	Corrente continua
	Marchio di conformità europeo
	Marchio di conformità britannico
	Marchio di conformità ucraino
	Marchio di conformità euroasiatico

DATOS TÉCNICOS	M18 BLDDRC	M18 BLPDRC
Tipo de construcción	Atornillador a Batería	Taladro Combi a Batería
Número de producción	4817 09 01 XXXXXX MJJJJ	4817 46 01 XXXXXX MJJJJ
Voltaje paquete de baterías	18 V ---	18 V ---
Velocidad en vacío 1ª marcha	0-550 min ⁻¹	0-550 min ⁻¹
Velocidad en vacío 2ª marcha	0-1700 min ⁻¹	0-1700 min ⁻¹
Frecuencia de impactos 1ª velocidad	—	: 0-8250 min ⁻¹
Frecuencia de impactos 2ª velocidad	—	0-25000 min ⁻¹
Par	60,5 Nm	60,5 Nm
Diámetro de taladrado en madera con broca plana	32 mm	32 mm
con broca de barrena	25,4 mm	25,4 mm
con sierra de corona	51 mm	51 mm
con broca automática	1-3/8" (35 mm)	1-3/8" (35 mm)
Diámetro de taladrado ladrillo y losetas	—	10 mm
Tornillos para madera (sin pretaladrar)	13 mm	13 mm
Gama de apertura del portabrocas	1,6 – 13 mm	1,6 – 13 mm
Peso de acuerdo con el procedimiento EPTA 01/2014 (2.0 Ah ... 12.0 Ah)	1,5 kg...2,8 kg	1,5...2,8 kg
Temperatura ambiente recomendada durante el trabajo		-18...+50 °C
Tipos de acumulador recomendados		M18B...; M18HB...
Cargadores recomendados		M12-18...; M1418C6
Información sobre ruidos: Determinación de los valores de medición según norma EN 62841.		
El nivel de ruido típico del aparato determinado con un filtro A corresponde a:		
Presión acústica / Tolerancia K	79,32 dB(A) / 3 dB(A)	90,66 dB(A) / 3 dB(A)
Resonancia acústica / Tolerancia K	87,32 dB(A) / 3 dB(A)	98,66 dB(A) / 3 dB(A)
Usar protectores auditivos!		
Informaciones sobre vibraciones: Nivel total de vibraciones (suma vectorial de tres direcciones) determinado según EN 62841.		
Valor de vibraciones generadas a _h / Tolerancia K		
taladrado de percusión	—	8,31 m/s ² / 1,5m/s ²
Taladrado en metal	1,64 m/s ² / 1,5 m/s ²	1,64 m/s ² / 1,5m/s ²
Tornillos	1,44 m/s ² / 1,5m/s ²	1,44 m/s ² / 1,5 m/s ²

⚠ ADVERTENCIA!

El nivel de emisión de ruido y vibración indicado en esta hoja informativa se ha medido de acuerdo con una prueba estandarizada que figura en EN 62841 y se puede usar para comparar una herramienta con otra. Puede ser empleado para una evaluación preliminar de la exposición.

El nivel declarado emisión de vibración y ruido representa las principales aplicaciones de la herramienta. Sin embargo, si la herramienta se utiliza para diferentes aplicaciones, con diferentes accesorios o con un mantenimiento deficiente, la emisión de ruido y vibración puede diferir. Esto puede aumentar significativamente el nivel de exposición durante el periodo total de trabajo.

También se debe tener en cuenta una estimación del nivel de exposición a la vibración y el ruido cuando la herramienta está apagada o cuando está funcionando, pero no está haciendo su trabajo. Esto puede reducir significativamente el nivel de exposición durante el periodo total de trabajo.

Identifique medidas de seguridad adicionales para proteger al operador de los efectos de la vibración o el ruido, como realizar mantenimiento de la herramienta y los accesorios, mantener las manos calientes y organizar las pautas de trabajo.

⚠ ADVERTENCIA! Lea todas las advertencias de peligro, instrucciones, ilustraciones y especificaciones suministradas con esta herramienta eléctrica.

En caso de no atenderse a las instrucciones siguientes, ello puede ocasionar una descarga eléctrica, un incendio y/o lesión grave.

Guardar todas las advertencias de peligro e instrucciones para futuras consultas.

INSTRUCCIONES DE SEGURIDAD PARA TALADRADORAS

Instrucciones de seguridad para todas las operaciones

Sujete la herramienta eléctrica por medio de superficies de agarre aisladas cuando realice una operación en la que el accesorio de corte o los sujetadores puedan entrar en contacto con cables ocultos. Los accesorios de corte o los sujetadores que entran en contacto con un cable „bajo tensión“ pueden hacer que las partes metálicas expuestas de la herramienta eléctrica estén „bajo tensión“ y provocar una descarga eléctrica al operario.

Utilice protectores de oídos al taladrar con percusión. La exposición a niveles de ruido excesivos puede causar la pérdida de audición.

Antes de comenzar a trabajar, coja el aparato firmemente por la empuñadura prevista para ello. Este aparato genera un elevado par de torsión de salida y si usted no lo agarra bien durante su funcionamiento podría perder el control del mismo y lesionarse.

Indicaciones de seguridad para el uso de brocas para taladro largas

No lo utilice nunca con una velocidad de giro superior a la velocidad de giro máxima indicada para la broca de taladro. A velocidades de giro más elevadas, la broca de taladro se puede doblar cuando esta taladra sin tener contacto con la pieza de trabajo, lo cual puede provocar lesiones.

Comience siempre con una velocidad de giro baja y siempre que la broca de taladro esté en contacto con la pieza de trabajo. A velocidades de giro más elevadas, la broca de taladro se puede doblar cuando esta taladra sin tener contacto con la pieza de trabajo, lo cual puede provocar lesiones.

Ejercer siempre presión solo si lo hace en línea directa respecto de la broca de taladro y no apriete demasiado fuertemente. Las brocas de taladro pueden doblarse y romperse o provocar la pérdida de control del aparato, lo cual a su vez puede ocasionar lesiones.

INSTRUCCIONES ADICIONALES DE SEGURIDAD Y LABORALES

Utilice el equipamiento de protección. Mientras trabaje con la máquina lleve siempre gafas protectoras. Se recomienda utilizar ropa de protección como máscara protectora contra el polvo, guantes protectores, calzado resistente y antideslizante, casco y protección para los oídos.

ATENCIÓN Para reducir el riesgo de lesiones durante los trabajos con formación considerable de polvo, recomendamos el uso de un solución de extracción de polvo de Milwaukee de acuerdo con el manual de instrucciones correspondiente.

El polvo que se produce durante estos trabajos puede ser nocivo a la salud; es por ello es aconsejable que no penetre al cuerpo. Utilice por ello una máscara protectora contra polvo.

No se deben trabajar materiales que conlleven un riesgo para la salud (por ej. amianto).

¡En caso de que se bloquee el útil, el aparato se debe desconectar inmediatamente! No vuelva a conectar el aparato, mientras el útil esté bloqueado; se podría producir un rechazo debido a la reacción de retroceso brusca. Averigüe y elimine la causa del bloqueo del útil, teniendo en cuenta las indicaciones de seguridad.

Causas posibles para ello pueden ser:

- Atascamiento o bloqueo en la pieza de trabajo
- Rotura del material con el que está trabajando
- Sobrecarga de la herramienta eléctrica

No introduzca las manos en la máquina mientras ésta se encuentra en funcionamiento.

El útil se puede calentar durante el uso.

- ADVERTENCIA!** Peligro de quemaduras
- en caso de cambiar la herramienta
 - en caso de depositar el aparato

Nunca se debe intentar limpiar el polvo o viruta procedente del taladrado con la máquina en funcionamiento.

Para trabajar en paredes, techo o suelo, tenga cuidado para evitar los cables eléctricos y tuberías de gas o agua.

Fije la pieza de trabajo con un dispositivo de fijación. Las piezas de trabajo no fijadas pueden causar lesiones graves y deterioros.

Retire la batería antes de comenzar cualquier trabajo en la máquina.

No tire las baterías usadas a la basura ni al fuego. Los Distribuidores Milwaukee ofrecen un servicio de recogida de baterías antiguas para proteger el medio ambiente.

No almacene la batería con objetos metálicos (riesgo de cortocircuito).

Recargar solamente los acumuladores del Sistema M18 en cargadores M18. No intentar recargar acumuladores de otros sistemas.

En caso de sobrecarga o alta temperatura, pueden llegar a producirse escapes de ácido provenientes de la batería. En caso de contacto con éste, limpie inmediatamente la zona con agua y jabón. Si el contacto es en los ojos, límpiese concienzudamente con agua durante 10 minutos y acuda inmediatamente a un médico

No introducir la broca en la herramienta cuando esta está en funcionamiento y el interruptor está en estado de bloqueo, dado que la broca seguirá moviéndose y puede herir al usuario.

Advertencia! Para reducir el riesgo de incendio, lesión personales y daños al producto debido a un cortocircuito, no sumerja nunca la herramienta, el paquete de baterías o el cargador en líquido ni permita que fluya un fluido dentro de ellos. Los fluidos corrosivos o conductivos, como el agua de mar, ciertos productos químicos industriales y blanqueadores o lejías que contienen, etc., Pueden causar un cortocircuito.

APLICACIÓN DE ACUERDO A LA FINALIDAD

M18 BLDDRC: El taladro/atornillador por acumulador está diseñado para trabajos de taladrado y atornillado para uso independiente lejos de suministro eléctrico.

M18 BLPDRC: El taladro-atornillador electrónico por acumulador es utilizable en todo tipo de trabajos taladrar, con y sin percusión, atornillar sin depender de una toma de corriente.

No utilice este producto para ninguna otra aplicación que no sea su uso normal.

RIESGOS RESIDUALES

Incluso en caso de un uso correcto, no es posible excluir por completo la existencia de riesgos residuales. Durante el uso de la máquina se pueden producir los siguientes riesgos a tener en cuenta especialmente por el operador de la misma.

- Lesiones provocadas por efecto de la vibración. Sujete el dispositivo utilizando las empuñaduras previstas para ello y limite el tiempo de trabajo y de exposición a riesgos.
- La contaminación acústica puede provocar lesiones auditivas. Lleve una protección auditiva y limite el tiempo de exposición a riesgos.
- Lesiones oculares producidas por partículas de suciedad. Lleve siempre gafas protectoras, pantalones resistentes y largos y calzado resistente.

Inhalación de polvos tóxicos.

INDICACIONES PARA BATERÍAS DE IONES DE LITIO

Uso de baterías de iones de litio

Las baterías no utilizadas durante cierto tiempo deben ser recargadas antes de usar.

Las temperaturas superiores a 50°C reducen el rendimiento de la batería. Evite una exposición excesiva a fuentes de calor o al sol (riesgo de sobrecalentamiento).

Los puntos de contacto de los cargadores y las baterías se deben mantener limpios.

Para un tiempo óptimo de vida, deberán cargarse las baterías completamente después de su uso.

Para garantizar la máxima capacidad y vida útil, las baterías recargables se deberían retirar del cargador una vez finalizada la carga.

En caso de almacenar la batería recargable más de 30 días: Almacenar la batería en un lugar seco a una temperatura inferior a 27 °C.

Almacenar la batería recargable con un estado de carga del 30% y 50% aproximadamente.

Recargar la batería cada 6 meses.

Protección de sobrecarga de baterías en baterías de iones de litio

En caso de sobrecarga de la batería a causa de un consumo de corriente demasiado elevado, por ejemplo, en momentos de torsión extremadamente altos, atasco de la broca, de una parada o cortocircuito repentinos; el aparato eléctrico vibra durante 5 segundos, el indicador de carga parpadea y el aparato eléctrico se desconecta automáticamente.

Para conectarlo de nuevo, soltar el botón de encendido y después conectarlo otra vez.

Bajo cargas extremas la batería se calienta demasiado. En este caso, todas las luces del indicador de carga parpadean hasta que la batería se enfría. Cuando se apaga el indicador de carga se puede trabajar de nuevo.

Transporte de baterías de iones de litio

Las baterías de iones de litio caen bajo las disposiciones legales relativas al transporte de mercancías peligrosas.

El transporte de estas baterías recargables debe llevarse a cabo, observando las normas y disposiciones locales, nacionales e internacionales.

- Los consumidores pueden transportar estas baterías recargables sin el menor reparo en la calle.
- El transporte comercial de baterías recargables de iones de litio por empresas de transportes está sometido a las disposiciones del transporte de mercancías peligrosas. Las preparaciones para el envío y el transporte deben ser llevados a cabo exclusivamente por personas instruidas adecuadamente. El proceso completo debe ser supervisado por personal competente.

Los siguientes puntos se deben observar para el transporte de las baterías recargables:

- Se debe asegurar que los contactos estén protegidos y aislados para evitar que se produzcan cortocircuitos.
- Preste atención a que el conjunto de baterías recargables no se pueda desplazar dentro del envase.
- Las baterías recargables deterioradas o derramadas no se deben transportar.

Rogamos que para cualquier información adicional se dirija a su empresa de transportes.

LIMPIEZA

Las ranuras de ventilación de la máquina deben estar despejadas en todo momento.

MANTENIMIENTO

Utilice solamente accesorios y repuestos Milwaukee. En caso de necesitar reemplazar componentes no descritos, contacte con cualquiera de nuestras estaciones de servicio Milwaukee (consultar lista de servicio técnicos)

Puede solicitar, en caso necesario, una vista despiezada del aparato bajo indicación del tipo de máquina y el número de seis dígitos en la placa indicadora de potencia en su Servicio de Postventa o directamente en Techtronic Industries GmbH, Max-Eyth-Straße 10, 71364 Winnenden, Germany.

SÍMBOLOS

	Lea las instrucciones detenidamente antes de conectar la herramienta
	¡ATENCIÓN! ¡ADVERTENCIA! ¡PELIGRO!
	Retire la batería antes de comenzar cualquier trabajo en la máquina.
	Para trabajar con la máquina, utilizar siempre gafas de protección.
	Usar protectores auditivos!
	Utilice por ello una máscara protectora contra polvo.
	Usar guantes protectores
	Accesorio - No incluido en el equipo estándar, disponible en la gama de accesorios.



Los residuos de pilas y de aparatos eléctricos y electrónicos no se deben desechar junto con la basura doméstica. Los residuos de pilas y de aparatos eléctricos y electrónicos se deben recoger y desechar por separado.

Retire los residuos de pilas y acumuladores, así como las fuentes de iluminación de los aparatos antes de desecharlos. Infórmese en las autoridades locales o en su distribuidor especializado sobre los centros de reciclaje y los puntos de recogida.

Dependiendo de las disposiciones locales al respecto, los distribuidores minoristas pueden estar obligados a aceptar de forma gratuita la devolución de residuos de pilas, aparatos eléctricos y electrónicos.

Contribuya mediante la reutilización y el reciclaje de sus residuos de pilas y de aparatos eléctricos y electrónicos a reducir la demanda de materias primas.

Los residuos de pilas (sobre todo de pilas de iones de litio) y de aparatos eléctricos y electrónicos contienen valiosos materiales reutilizables que pueden tener efectos negativos para el medio ambiente y su salud si no son desechados de forma respetuosa con el medio ambiente.

Antes de desecharlos, elimine los datos personales que podría haber en los residuos de sus aparatos.

	n_0 Velocidad de giro en vacío
	V Tensión
	Corriente continua
	Marcado de conformidad europeo
	Marcado de conformidad británico
	Marcado de conformidad ucraniano
	Marcado de conformidad euroasiático

CARACTERÍSTICAS TÉCNICAS

	M18 BLDDRC	M18 BLPDRC
Tipo	Berbequim a Bateria Berbequim com percussão a Bateria	
Número de produção	4817 09 01 XXXXXX MJJJJ	4817 46 01 XXXXXX MJJJJ
Tensão bloco de baterias	18 V ---	18 V ---
Nº de rotações em vazio na 1ª velocidade	0-550 min ⁻¹	0-550 min ⁻¹
Nº de rotações em vazio na 2ª velocidade	0-1700 min ⁻¹	0-1700 min ⁻¹
Frequência de percussão na 1ª velocidade	–	0-8250 min ⁻¹
Frequência de percussão na 2ª velocidade	–	0-25000 min ⁻¹
Binário	60,5 Nm	60,5 Nm
Ø de furo em madeira com bit plano	32 mm	32 mm
com bit sem-fim	25,4 mm	25,4 mm
com serra-copo	51 mm	51 mm
com bit automático	1-3/8" (35 mm)	1-3/8" (35 mm)
Ø de furo em tijolo e calcário	–	10 mm
Parafusos para madeira (sem furo prévio)	13 mm	13 mm
Capacidade da bucha	1,6 – 13 mm	1,6 – 13 mm
Peso nos termos do procedimento-EPTA 01/2014 (2.0 Ah ... 12.0 Ah)	1,5 kg...2,8 kg	1,5...2,8 kg
Temperatura ambiente recomendada ao trabalhar	-18...+50 °C	
Tipos de baterias recomendadas	M18B...; M18HB...	
Carregadores recomendados	M12-18...; M1418C6	

Informações sobre ruído: Valores de medida de acordo com EN 62841.

O nível de ruído avaliado A do aparelho é tipicamente:

Nível da pressão de ruído / Incertez K

79,32 dB(A) / 3 dB(A)

90,66 dB(A) / 3 dB(A)

Nível da potência de ruído / Incertez K

87,32 dB(A) / 3 dB(A)

98,66 dB(A) / 3 dB(A)

Use protectores auriculares!

Informações sobre vibração: Valores totais de vibração (soma dos vectores das três direcções) determinadas conforme EN 62841.

Valor de emissão de vibração a_h / Incertez K

Furar de impacto em betão

– 8,31 m/s² / 1,5m/s²

Furar em metal

1,64 m/s² / 1,5 m/s²

1,64 m/s² / 1,5m/s²

Parafusos

1,44 m/s² / 1,5m/s²

1,44 m/s² / 1,5 m/s²

⚠ ATENÇÃO!

O nível de emissão de ruído e vibração fornecido nesta ficha de informações foi medido de acordo com um teste padronizado que se encontra na norma EN 62841, podendo ser utilizado para fazer comparações entre ferramentas. Pode ser utilizado para fazer uma avaliação preliminar da exposição.

O nível de emissão de ruído e vibração declarado representa as principais aplicações da ferramenta. No entanto, se a ferramenta for utilizada para aplicações diferentes ou com acessórios distintos, ou se a sua manutenção for deficiente, a emissão de ruídos e vibrações poderá diferir. Isso poderá aumentar significativamente o nível de exposição ao longo do período de trabalho total.

A estimativa do nível de exposição à vibração e ruído também deve ter em conta os tempos em que a ferramenta, quer desligada quer em funcionamento, não está realmente a trabalhar. Isso poderá reduzir significativamente o nível de exposição ao longo do período de trabalho total.

Identifique medidas de segurança adicionais para proteger o operador contra os efeitos da vibração e/ou ruído, tais como: fazer a manutenção da ferramenta e dos acessórios, manter as mãos quentes, organizar padrões de trabalho.

⚠ ADVERTÊNCIA Devem ser lidas todas as advertências de segurança, instruções, ilustrações e especificações fornecidas com esta ferramenta elétrica. O desrespeito das advertências e instruções apresentadas abaixo pode causar choque elétrico, incêndio e/ou graves lesões.
Guarde bem todas as advertências e instruções para futura referência.

Antes de começar o trabalho, segure o aparelho bem no manípulo previsto. Este aparelho gera um alto torque de acionamento e se não segurá-lo bem durante a operação, poderá perder o controlo e ferir-se.

Instruções de segurança para o uso de brocas compridas
Nunca use uma velocidade maior do que a velocidade máxima indicada para a broca. Em caso de maiores velocidades a broca pode deformar-se ao girar sem contato com a peça e isso pode causar feridas.

Sempre comece com uma velocidade baixa e com a broca em contato direto com a peça. Com velocidades mais altas a broca pode deformar-se ao girar sem contato com a peça e isso pode causar feridas.

Sempre só exerça pressão em direção direta à broca e não aperte demais. As brocas podem deformar-se e quebrar ou isso pode causar uma perda do controlo sobre o aparelho, o que também pode causar feridas.

INSTRUÇÕES DE SEGURANÇA PARA BERBEQUINS

Instruções de segurança para todas as operações

Ao realizar uma operação na qual o acessório de corte ou os dispositivos de aperto possam contactar com fios ocultos, segure na ferramenta elétrica pelas superfícies isoladas destinadas a esse fim. O contacto do acessório de corte ou dos dispositivos de aperto com um fio "eletrificado" pode fazer com que as partes expostas da ferramenta também fiquem "eletrificadas" e levar a que o operador apanhe um choque.

Use uma protecção dos ouvidos ao usar o berbequim de percussão. Os ruídos podem causar surdez.

INSTRUÇÕES DE SEGURANÇA E TRABALHO

SUPLEMENTARES

Utilizar equipamento de protecção. Durante os trabalhos com a máquina, usar sempre óculos de protecção. Vestuário de protecção, bem como máscara de pó, sapatos fechados e antiderrapante, capacete e protecção auditiva são recomendados.

AVISO Para reduzir o risco de feridas nos trabalhos com muita formação de pó recomendamos utilizar uma solução de aspiração de pó da Milwaukee de acordo com o manual de instruções.

O pó que resulta ao trabalhar pode ser nocivo para a saúde, por isso não devendo penetrar no corpo. Use uma máscara de protecção contra pó apropriada.

Não devem ser processados materiais que representem um perigo para a saúde (p. ex. asbesto).

Desligue o aparelho imediatamente, quando a ferramenta de inserção bloquear! Não ligue o aparelho novamente durante o bloqueio da ferramenta de inserção, pois isso pode levar a um recuo repentino com uma alta força reactiva. Verifique e elimine a causa do bloqueio da ferramenta de inserção, observando as instruções de segurança.

Causas possíveis podem ser:

- Emperramento na peça a trabalhar
- Material a processar rompido
- Sobrecarga da ferramenta eléctrica

Não toque na máquina em operação.

A ferramenta de inserção pode ficar quente durante a operação.

ATENÇÃO! Perigo de queimar-se

- na troca das ferramentas
- ao depositar o aparelho

Não remover aparas ou lascas enquanto a máquina trabalha.

Ao trabalhar em paredes, tectos e soalhos prestar atenção a que não sejam atingidos cabos eléctricos e canalizações de gás e água.

Fixe a peça a trabalhar com um dispositivo de fixação. Peças a trabalhar não fixadas podem levar a feridas graves e danos sérios.

Antes de efectuar qualquer intervenção na máquina retirar o bloco acumulador.

Não queimar acumuladores gastos nem deitá-los no lixo doméstico. A Milwaukee possui uma eliminação de acumuladores gastos que respeita o meio ambiente.

Não guardar acumuladores junto com objectos metálicos (perigo de curto-circuito).

Use apenas carregadores do Sistema M18 para recarregar os acumuladores do Sistema M18. Não utilize acumuladores de outros sistemas.

Em caso de cargas ou temperaturas extremas, um acumulador de substituição danificado poderá verter líquido de bateria. Se entrar em contacto com este líquido, deverá lavar-se imediatamente com água e sabão. Em caso de contacto com os olhos, enxágue-os bem e de imediato durante pelo menos 10 minutos e consulte um médico o mais depressa possível.

Não insira o bit na ferramenta quando a ferramenta estiver em operação e o interruptor estiver ligado, uma vez que o bit continuaria a girar e poderia ferir o utilizador.

Advertência! Para evitar o risco de incêndio, de feridas ou de danificação do produto causado por um curto-circuito, não imerja a bateria intercambiável ou o carregador em líquidos e assegure-se de que líquidos não penetrem nos aparelhos ou nas baterias. Líquidos corrosivos ou condutivos como água salgada, determinadas substâncias químicas ou produtos que contenham branqueadores podem causar um curto-circuito.

UTILIZAÇÃO AUTORIZADA

M18 BLDDRC: O berbequim aparafusador sem fio pode ser aplicado universalmente para furar e aparafusar sem necessidade de ligar a máquina à rede.

M18 BLPDRC: O berbequim aparafusador electrónico com percussão e sem fio pode ser aplicado universalmente para furar, furar com percussão e aparafusar sem necessidade de ligar a máquina à rede.

Não use este produto de outra maneira sem ser a normal para a qual foi concebido.

RISCOS RESIDUAIS

Mesmo em caso de utilização correta não é possível excluir todos os riscos residuais. Na utilização da máquina podem ser causados os seguintes perigos que o utilizador deve observar:

- Feridas causadas pela vibração.
Segure o aparelho nos punhos previstos e limite o tempo de trabalho e exposição.
- Os ruídos podem levar à perda de audição.
Use um protetor auricular e limite o período de exposição.
- Feridas dos olhos causadas por partículas de sujeira.
Sempre use óculos de protecção, calças compridas sólidas e calçados sólidos.
Inalação de pós tóxicos.

NOTAS PARA BATERIAS DE IÕES DE LÍLIO

Utilização de iões de lítio

Acumuladores não utilizados durante algum tempo devem ser recarregados antes da sua utilização.

Temperaturas acima de 50°C reduzem a capacidade do acumulador. Evitar exposição prolongada ao sol ou a caloríferos.

Manter limpos os contactos eléctricos no carregador e no bloco acumulador.

Para uma vida útil óptima das baterias, terá que carregá-las plenamente após a sua utilização.

Para assegurar uma vida útil longa, o pacote de bateria deve ser removido da carregadora depois do carregamento.

Se o pacote de bateria for armazenado por mais de 30 dias: Armazenar a bateria em um lugar seco com uma temperatura de menos de 27 °C.

Armazene o pacote de bateria com aprox. 30%-50% da carga completa. Carregue o pacote de bateria novamente de 6 em 6 meses.

Protecção contra sobrecarga para baterias de iões de lítio

No caso de sobrecarga da bateria devido a um consumo de corrente demasiado elevado, por exemplo um binário de rotação extremamente elevado, um bloqueio da broca, uma paragem repentina ou um curto-circuito, a ferramenta eléctrica vibra durante 5 segundos, o indicador de carregamento de bateria começa a piscar e a ferramenta eléctrica desliga-se automaticamente. Para a ligar novamente, desligar e voltar a ligar o interruptor. Sob condições extremas, a bateria aquece demasiado. Nesse caso, todas as luzes do indicador de carregamento de bateria piscam até que esta arrefeça. Após as luzes do indicador de carregamento de bateria se apagarem, pode-se continuar a trabalhar.

Transporte de baterias de iões de lítio

Baterias de ião-lítio estão sujeitas às disposições da legislação relativa às substâncias perigosas.

O transporte destas baterias deve ser efetuado de acordo com as disposições e os regulamentos locais, nacionais e internacionais.

- O utilizador pode efetuar o transporte rodoviário destas baterias sem restrições.
- O transporte comercial de baterias de ião-lítio por terceiros está sujeito aos regulamentos relativos às substâncias perigosas. A preparação do transporte e o transporte devem ser executados exclusivamente por pessoas instruídas e o processo deve ser acompanhado pelos especialistas correspondentes.

Observe o seguinte no transporte de baterias:

- Assegure-se de que os contactos terminais estejam protegidos e isolados para evitar um curto-circuito.
- Assegure-se de que o bloco da bateria esteja protegido contra movimentos na embalagem.
- Não transporte baterias danificadas ou que tenham fuga.

Para instruções mais detalhadas consulte a companhia de transportes

LIMPEZA

Manter desobstruídos os rasgos de ventilação na carcaça da máquina.

MANUTENÇÃO

Utilizar apenas acessórios Milwaukee e peças sobresselentes Milwaukee. Os componentes cuja substituição não esteja descrita devem ser substituídos num serviço de assistência técnica Milwaukee (consultar a brochura relativa à garantia/moradas dos serviços de assistência técnica).

Se for necessário, um desenho de explosão do aparelho pode ser solicitado do seu posto de assistência ao cliente ou directamente da Techtronic Industries GmbH, Max-Eyth-Straße 10, 71364 Winnenden, Alemanha, indicando o tipo da máquina e o número de seis posições na chapa indicadora da potência.

SYMBOLS

	Leia atentamente o manual de instruções antes de colocar a máquina em funcionamento.
	ATENÇÃO! PERIGO!
	Antes de efectuar qualquer intervenção na máquina retirar o bloco acumulador.
	Usar sempre óculos de protecção ao trabalhar com a máquina.
	Use protectores auriculares!
	Use uma máscara de protecção contra pó apropriada.
	Use luvas de protecção!
	Acessório - Não incluído no equipamento normal, disponível como acessório.



Resíduos de pilhas, resíduos de equipamentos eléctricos e electrónicos não devem ser descartados com o lixo doméstico. Resíduos de pilhas, resíduos de equipamentos eléctricos e electrónicos devem ser recolhidos e descartados separadamente. Remova os resíduos de pilhas, os resíduos de acumuladores e as luzes antes de descartar os equipamentos.

Informe-se sobre os centros de reciclagem e os postos de coleta nas autoridades locais ou no seu vendedor autorizado.

Dependendo dos regulamentos locais, os retalhistas podem ser obrigados a retomar gratuitamente os resíduos de pilhas e os resíduos de equipamentos eléctricos e electrónicos.

Contribua a reduzir as necessidades de matérias-primas, reutilizando e reciclando os seus resíduos de pilhas e os seus resíduos de equipamentos eléctricos e electrónicos.

Resíduos de pilhas (particularmente pilhas de íon lítio), resíduos de equipamentos eléctricos e electrónicos contêm materiais valiosos e reutilizáveis que podem ter efeitos negativos para o meio ambiente e a sua saúde.

Apague eventuais dados pessoais existentes no seu resíduo de equipamento antes de descartá-lo.

	Velocidade de marcha lenta
	Tensão
	Corrente contínua
	Marca de Conformidade Europeia
	Marca de conformidade britânica
	Marca de Conformidade Ucraniana
	Marca de Conformidade Eurasiática

REINIGING

Altijd de luchtspleten van de machine schoonhouden.

ONDERHOUD

Gebruik uitsluitend Milwaukee toebehoren en onderdelen. Indien componenten die moeten worden vervangen niet zijn beschreven, neem dan contact op met een officieel Milwaukee servicecentrum (zie onze lijst met servicecentra).

Zo nodig kan een explosietekening van het apparaat worden aangevraagd bij uw klantenservice of direct bij Techtronic Industries GmbH, Max-Eyth-Straße 10, 71364 Winnenden, Duitsland onder vermelding van het machinetype en het zescijferige nummer op het typeplaatje.

SYMBOLLEN

	Graag instructies zorgvuldig doorlezen vóórdat u de machine in gebruik neemt.
	OPGELET! WAARSCHUWING! GEVAAR!
	Voor alle werkzaamheden aan de machine de accu verwijderen.
	Bij het werken met de machine altijd een veiligheidsbril dragen.
	Draag oorbeschermers!
	Draag derhalve een geschikt stofbeschermingsmasker.
	Draag veiligheidshandschoenen!
	Toebehoren - Wordt niet meegeleverd. Is apart leverbaar. Zie hiervoor het toebehorenprogramma.



Afgedankte batterijen en afgedankte elektrische en elektronische apparatuur mogen niet samen via het huisafval worden afgevoerd. Afgedankte batterijen en afgedankte elektrische en elektronische apparatuur moeten gescheiden ingezameld en afgevoerd worden. Verwijder afgedankte batterijen, afgedankte accu's en verlichtingsmiddelen uit de apparatuur voordat u deze afvoert. Informeer bij uw gemeente of bij uw vakhandelaar naar recyclingbedrijven en inzamelpunten. Al naargelang de lokaal van toepassing zijnde voorschriften kunnen detailhandelaren verplicht zijn om afgedankte batterijen, afgedankte elektrische en elektronische apparatuur kosteloos terug te nemen. Geef uw afgedankte batterijen, afgedankte elektrische en elektronische apparatuur af voor recycling en help zo mee om de behoefte aan grondstoffen te verminderen. Afgedankte batterijen (vooral lithium-ion-batterijen), afgedankte elektrische en elektronische apparatuur bevatten waardevolle, recyclebare materialen die, mits ze niet milieuvriendelijk worden afgevoerd, negatieve gevolgen kunnen hebben voor het milieu en uw gezondheid. Verwijder persoonlijke gegevens van uw afgedankte apparatuur voordat u deze afvoert.

	Nullasttoerental
	Spanning
	Gelijkstroom
	Europees symbool van overeenstemming
	Britse conformiteitsmarkering
	Oekraïens symbool van overeenstemming
	Euro-Aziatisch symbool van overeenstemming

TEKNISCHE DATA

	M18 BLDDRC	M18 BLPDRC
Type	Akku bore-/skruemaskine	Akku slagbore-/skruemaskine
Produktionsnummer	4817 09 01 XXXXXX MJJJJ	4817 46 01 XXXXXX MJJJJ
Spænding batteripakke	18 V ---	18 V ---
Omdrejningstal, ubelastet i 1. gear	0-550 min ⁻¹	0-550 min ⁻¹
Omdrejningstal, ubelastet i 2. gear	0-1700 min ⁻¹	0-1700 min ⁻¹
Slagantal i 1. gear	–	0-8250 min ⁻¹
Slagantal i 2. gear	–	0-25000 min ⁻¹
Drejningsmoment	60,5 Nm	60,5 Nm
Bor-ø i træ med fladbør med træspiralbør med hulsav med selfeed bit	32 mm 25,4 mm 51 mm 1-3/8" (35 mm)	32 mm 25,4 mm 51 mm 1-3/8" (35 mm)
Bor-ø i tegl og kalksandsten	–	10 mm
Træskruer (uden forboring)	13 mm	13 mm
Borepatronspændevide	1,6 – 13 mm	1,6 – 13 mm
Vægt svarer til EPTA-procedure 01/2014 (2.0 Ah ... 12.0 Ah)	1,5 kg...2,8 kg	1,5...2,8 kg
Anbefalet temperatur under arbejdet		-18...+50 °C
Anbefalede batterityper		M18B...; M18HB...
Anbefalede opladere		M12-18...; M1418C6
Støjinformation: Måleværdier beregnes iht. EN 62841. Værktøjets A-vurderede støjniveau er typisk: Lydtrykniveau / Usikkerhed K Lydeffekt niveau / Usikkerhed K	79,32 dB(A) / 3 dB(A) 87,32 dB(A) / 3 dB(A)	90,66 dB(A) / 3 dB(A) 98,66 dB(A) / 3 dB(A)
Brug høreværn! Vibrationsinformation: Samlede vibrationsværdier (værdisum for tre retninger) beregnet iht. EN 62841. Vibrationseksponering a _n / Usikkerhed K Slagboring i beton Boring i metal Skruining	– 1,64 m/s ² / 1,5 m/s ² 1,44 m/s ² / 1,5 m/s ²	8,31 m/s ² / 1,5 m/s ² 1,64 m/s ² / 1,5 m/s ² 1,44 m/s ² / 1,5 m/s ²

⚠ ADVARSEL!

Det vibrations- og støjmissionsniveau, der nævnes i dette oplysningskema, er blevet målt i overensstemmelse med en standardiseret test fra EN 62841, og det kan bruges til at sammenligne ét værktøj med et andet. Det kan bruges til en foreløbig bedømmelse af eksponeringen.

Det erklærede vibrations- og støjmissionsniveau repræsenterer værktøjets primære anvendelsesformål. Det er dog sådan, at hvis værktøjet bruges til andre formål, med forskellig tilbehør eller dårlig vedligehold, så kan vibrations- og støjmissionen variere. Det kan evt. øge eksponeringsniveauet markant i løbet af det samlede arbejdstidsrum.

En vurdering af eksponeringsniveauet ift. vibration og støj bør også tage hensyn til de tidspunkter, hvor værktøjet er slukket eller hvor det kører, men rent faktisk ikke udfører jobbet. Det kan evt. mindske eksponeringsniveauet markant i løbet af det samlede arbejdstidsrum.

Identificér yderligere sikkerhedsforanstaltninger med henblik på at beskytte brugeren mod effekten af vibration og/eller støj, som fx: vedligehold værktøjet og tilbehøret, hold hænderne varme, organisering af arbejdsmønstre.

⚠ ADVARSEL Læs alle advarselsinformationer, anvisninger, figurer og specifikationer, som følger med dette el-værktøj. En manglende overholdelse af alle nedenstående anvisninger kan medføre elektrisk stød, brand og/eller alvorlige kvæstelser. Opbevar alle advarselshenvisninger og instrukser til senere brug.

SIKKERHEDSANVISNINGER FOR ARBEJDE MED BOREMASKINER

Sikkerhedsanvisninger for alle brugssituationer

Hold på elværktøjet ved de isolerede grebsoverflader, når der udføres noget arbejde, hvor skæretilbehøret eller fastgørelsesmidlerne kan komme i kontakt med skjulte kabler. Hvis skæretilbehør eller fastgørelsesmidler kommer i kontakt med strømførte ledninger, kan dette forårsage, at udsatte metaldele på elværktøjet bliver strømførende, og føre til elektrisk stød for brugeren.

Brug høreværn under slagboring. Støjen kan føre til nedsat hørelse.

Hold godt fast i det dertil indrettede greb, inden du påbegynder arbejdet. Dette værktøj producerer et stort drejningsmoment, og

hvis du ikke holder godt fast i værktøjet under arbejdet, er der risiko for at miste kontrollen over værktøjet og komme til skade.

Sikkerhedsoplysninger vedrørende brug af lange bor

Brug aldrig en højere omdrejningshastighed end den omdrejningshastighed, som er angivet som den maksimale for borepatronen. Ved højere hastigheder er der risiko for, at borepatronen bøjer, hvis den får lov til at dreje uden at have kontakt til arbejdsområdet, hvilket kan forårsage personskade.

Start altid med en lav omdrejningshastighed, mens borepatronen får kontakt med arbejdsområdet. Ved højere hastigheder er der risiko for, at borepatronen bøjer, hvis den får lov til at dreje uden at have kontakt til arbejdsområdet, hvilket kan forårsage personskade.

Læg altid kun pres på i lige linje til borepatronen og pres ikke for hårdt. Borepatroner kan bøje og brække af eller medføre tab af kontrol over værktøjet, hvilket kan forårsage personskade.

YDERLIGERE SIKKERHEDS- OG ARBEJDSINFORMATIONER

Brug beskyttelsesudstyr. Bær altid sikkerhedsbriller, når du arbejder med maskinen. Vi anbefaler desuden brug af personlig beskyttelsesudrustning, såsom støvmaske, sikkerhedshandsker, fast og skridsikkert skotøj, hjelm og høreværn.

ADVARSEL For at reducere risikoen for skader under arbejde, hvor der produceres store mængder støv, anbefaler vi at bruge en Milwaukee støvsugningsløsning iht. betjeningsvejledningen.

Støv, som opstår under arbejdet, er ofte sundhedsfarligt og bør ikke trænge ind i kroppen. Benyt egnet åndedrætsværn.

Der må ikke bearbejdes nogen materialer, der kan udgøre en sundhedsrisiko (f.eks. asbest).

Sluk straks for maskinen, hvis indsatsværktøjet er blokeret! Tænd ikke for maskinen igen, så længe indsatsværktøjet er blokeret; dette kan føre til et tilbageslag med højt reaktionsmoment. Find frem til og afhjælp årsagen til indsatsværktøjets blokering under hensyntagen til sikkerhedsinstruktionerne.

Mulige årsager hertil kan være:

- at det sidder i klemme i emnet der bearbejdes
- at det har brækket materialet der bearbejdes
- at el-værktøjet er overbelastet

Grib ikke ind i maskinen, når den kører.

Indsatsværktøjet kan blive varmt under brugen.

- ADVARSEL!** Fare for forbrændinger
- ved værktøjsskift
 - når man lægger maskinen fra sig

Spåner eller splinter må ikke fjernes, medens maskinen kører.

Ved arbejdsboring i væg, loft eller gulv skal man passe på elektriske kabler, gas- og vandledninger.

Sørg for at sikre dit emne med en spændeordination. Ikke sikrede emner kan forårsage alvorlige kvæstelser og beskadigelser.

Ved arbejde inden i maskinen, bør batteriet tages ud.

Opbrugte udskiftningsbatterier må ikke brændes eller kasseres sammen med alm. husholdningsaffald. Milwaukee har en miljørigtig bortskaffelse af gamle udskiftningsbatterier, henvend Dem til Deres forhandler.

Opbevar ikke udskiftningsbatterier sammen med metalgenstande af fare for kortslutning.

Brug kun M18 ladeapparater for opladning af System M18 batterier.

I tilfælde af en ekstrem belastning eller ekstrem temperatur kan der flyde batterivæske ud af et beskadiget batteri. Hvis De kommer i berøring med batterivæsken, skal den vaskes godt og grundigt af med vand og sæbe. I tilfælde af øjenkontakt, skal man mindst skylle øjnene godt og grundigt igennem i 10 minutter og omgående opsøge en læge.

Sæt ikke bits i, mens værktøjet kører og kontakten er låst, da bit'en vil fortsætte med at dreje med risiko for at kvæste brugeren.

Advarsel! For at undgå risiko for brand, kvæstelser eller beskadigelse af produktet forårsaget af kortslutning må værktøjet, batteripakken eller opladeren ikke nedsænkes i vand. Sørg ligeledes for, at der ikke trænger væske ind i enhederne og batterierne. Korroderende eller ledende væsker, f.eks. saltvand, bestemte kemikalier, blegestoffer eller produkter, som indeholder blegestoffer, kan forårsage kortslutning.

TILTÆNKT FORMÅL

M18 BLDDRC: Akku bore-/skruemaskinen kan bruges universelt til boring og skrining uafhængigt af en nettilslutning.

M18 BLPDRC: Akku slagboremaskinen kan anvendes til alm. boreopgaver, slagboring og som skruemaskine uden tilslutning til stikkontakt.

Produktet må ikke anvendes på anden måde og til andre formål end foreskrevet.

RESTRISICI

Selv ved korrekt brug kan alle restrisici ikke udelukkes. Brugen kan medføre følgende farer, som operatøren bør være særlig opmærksom på:

- Kvæstelser, som forårsages af vibration. Hold maskinen fast i de dertil beregnede greb og begræns arbejds- og ekspositionstiden.
- Støjbelastning kan medføre høreskader. Brug høreværn og begræns ekspositionstiden.
- Øjenskader på grund af snavspartikler. Brug altid beskyttelsesbriller, faste lange bukser, handsker og fast fodtøj.

Indånding af giftigt støv.

BEMÆRKNINGER VEDRØRENDE LI-ION-BATTERIER

Brug af Li-ion-batterier

Batterier, der ikke har været brugt i længere tid, efterlades inden brug.

Ved temperaturer over 50°C formindskes batteriets effekt. Undgå direkte sollys og stærk varme.

Tilslutningskontakterne på oplader og udskiftningsbatterier skal holdes rene.

For at opnå en optimal levetid skal de genopladelige batterier oplades fuldt efter brug.

For at sikre en så lang levetid som muligt skal batterierne tages ud af ladeaggregatet efter opladning.

Skal batterierne opbevares længere end 30 dage: Opbevar batteriet på et sted med en temperatur under 27 °C. Opbevares ved ca. 30%-50% af ladetilstanden. Batteri skal genoplades hver 6. måned.

Overbelastningsbeskyttelse vedrørende Li-Ion-batterier

Overbelastes batteriet på grund af meget højt strømforbrug, f.eks. som følge af ekstremt høje drejningsmomenter, fastklemning af bor, pludseligt stop eller kortslutning, vibrerer el-værktøjet i 5 sekunder, ladeindikatoren blinker, og el-værktøjet slukker af sig selv. For at tænde igen slippes trykknappen, hvorefter du tænder el-værktøjet igen.

Ved ekstreme belastninger bliver batteriet for varmt. I så fald blinker alle lamper på ladeindikatoren, indtil batteriet er kølet af. Når ladeindikatoren går ud, kan arbejdet genoptages.

Transport af Li-ion-batterier

Lithium-batterier er omfattet af lovgivningen om transport af farligt gods.

Transporten af disse batterier skal ske under overholdelse af lokale, nationale og internationale regler og bestemmelser.

- Forbrugere må transportere disse batterier på veje uden yderligere krav.
- Den kommercielle transport af lithium-batterier ved speditjonsfirmaer er omfattet af reglerne for transport af farligt gods. Forberedelse af forsendelse og transport må kun udføres af tilsvarende trænede personer. Den samlede proces skal følges af fagfolk.

Følgende punkter skal overholdes ved transport af batterier:

- Sørg for at kontakterne er beskyttet og isoleret for at forhindre kortslutninger.
- Sørg for at batteripakken ikke kan bevæge sig inden for emballagen.
- Beskadigede eller lækende batterier må ikke transporteres.

Kontakt dit speditjonsfirma for at få yderligere oplysninger.

RENGØRING

Hold altid maskinens ventilationsåbninger rene.

VEDLIGEHOLDELSE

Brug kun Milwaukee-tilbehør og Milwaukee-reservedele. Komponenter, hvor udskiftningsproceduren ikke er beskrevet, skal skiftes ud hos et Milwaukee-servicested (se brochure garanti/kundeserviceadresser).

Hvis det er nødvendigt, kan der bestilles en sprængskitse af værktøjet. Angiv herved venligst maskintypen samt det sekscifrede nummer på mærkepladen og bestil tegningen hos din lokale kundeserviceafdeling eller direkte hos Techtronic Industries GmbH, Max-Eyth-Straße 10, 71364 Winnenden, Tyskland.

SYMBOLER

	Læs brugsanvisningen nøje før ibrugtagning.
	VIGTIGT! ADVARSEL! FARE!
	Ved arbejde inden i maskinen, bør batteriet tages ud.
	Når der arbejdes med maskinen, skal man have beskyttelsesbriller på.
	Brug høreværn!
	Benyt egnet åndedrætsværn.
	Brug beskyttelseshandsker!
	Tilbehør - Ikke inkluderet i leveringsomfanget, køb købes som tilbehør.
	Udtjente batterier, affald af elektrisk og elektronisk udstyr må ikke bortskaffes sammen med husaffald. Udtjente batterier, affald af elektrisk og elektronisk udstyr skal indsamles og bortskaffes særskilt. Fjern udtjente batterier, udtjente akkumulatører og lysmidler fra udstyret, inden det bortskaffes. Spørg efter genbrugsstationer og indsamlingssteder hos de lokale myndigheder eller din fagforhandler. Alt efter de lokale bestemmelser kan detailhandlende være forpligtede til gratis at tage brugte batterier, affald af elektrisk og elektronisk udstyr tilbage. Bidrag til at nedbringe behovet for råmaterialer ved at genbruge og genanvende dine udtjente batterier, affald af elektrisk og elektronisk udstyr. Udtjente batterier (især lithium-ion-batterier), affald af elektrisk og elektronisk udstyr indeholder værdifulde, genanvendelige materialer, som kan have en negativ effekt på miljøet og dit helbred ved ikke miljørigtig bortskaffelse. Slet inden bortskaffelsen personrelaterede data, som måtte befinde sig på dit affald af udstyret.
n_0	Tomgangshastighed
V	Spænding
===	Jævnstrøm

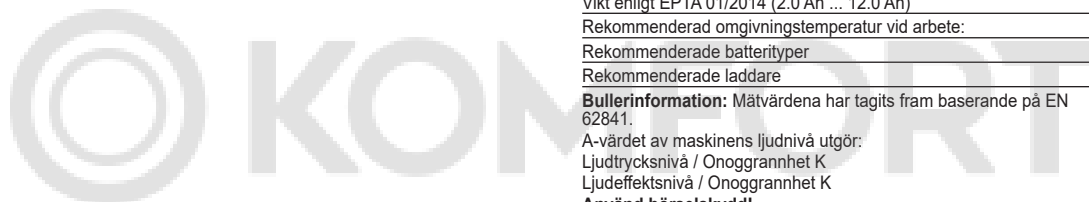
	Europæisk konformitetsmærke
	Britisk overensstemmelsesmærkning
	Ukrainsk konformitetsmærke
	Eurasisk konformitetsmærke

SYMBOLER

	Les nøye gjennom bruksanvisningen før maskinen tas i bruk.
	OBS! ADVARSEL! FARE!
	Ta ut vekselbatteriet før du arbeider på maskinen
	Bruk alltid vernebrille når du arbeider med maskinen.
	Bruk hørselsvern!
	Bruk derfor vernemaske som er egnet for støv.
	Bruk vernehansker!
	Tilbehør - inngår ikke i leveransen, anbefalt komplettering fra tilbehørsprogrammet.
	Elektrisk og elektronisk avfall skal ikke avfallshåndteres sammen med husholdningsavfallet. Brukte batterier, elektrisk og elektronisk avfall skal samles kildesortert og avfallshåndteres. Fjern brukte batterier, akkumulatører og lysmidler fra apparatene før de kasseres. Be om informasjon hos de lokale myndighetene eller hos din fagforhandler om miljøstasjoner og samlesteder. Avhengig av de lokale bestemmelsene kan detaljhandlere være forpliktet til å ta tilbake brukte batterier, elektrisk og elektronisk avfall uten kostnader. Bidra til å redusere behovet for råmaterialer ved å sørge for gjenbruk og resirkulering av dine brukte batterier og ditt elektriske og elektroniske avfall. Brukte batterier (særlig litium-ion-batterier), elektrisk og elektronisk avfall inneholder verdifulle, gjenbrukbare materialer som ved ikke-miljøriktig avfallshåndtering kan ha negative konsekvenser for miljøet og din helse. Slett først eventuelle personrelaterede data fra det brukte apparatet før det avfallshåndteres.
n_0	Tomgangsturtall
V	Spenning
	Likestrøm
	Europeisk samsvarsmerke
	Britisk samsvarsmerke
	Ukrainsk samsvarsmerke
001	



Euroasiatisk samsvarsmerke


TEKNISKA DATA

	M18 BLDDRC	M18 BLPDRC
Typ	Batteridreven borskrudragare	Batteridreven slagbormaskin/skrudragare
Produktionsnummer	4817 09 01 XXXXXX MJJJJ	4817 46 01 XXXXXX MJJJJ
Spänning batteripaket	18 V ---	18 V ---
Obelastat varvtal 1:a växel	0-550 min ⁻¹	0-550 min ⁻¹
Obelastat varvtal 2:a växel	0-1700 min ⁻¹	0-1700 min ⁻¹
Slagtal 1:a växel	–	: 0-8250 min ⁻¹
Slagtal 2:a växel	–	0-25000 min ⁻¹
Vridmoment	60,5 Nm	60,5 Nm
Borrdiam. in trä med platt spets med träborrspets med hålsåg med självborr	32 mm 25,4 mm 51 mm 1-3/8" (35 mm)	32 mm 25,4 mm 51 mm 1-3/8" (35 mm)
Borrdiam. tegel, kalksten	–	10 mm
Träskruvning (utan förborring)	13 mm	13 mm
Chuckens spännområde	1,6 – 13 mm	1,6 – 13 mm
Vikt enligt EPTA 01/2014 (2.0 Ah ... 12.0 Ah)	1,5 kg...2,8 kg	1,5...2,8 kg
Rekommenderad omgivningstemperatur vid arbete:	-18...+50 °C	
Rekommenderade batterityper	M18B...; M18HB...	
Rekommenderade laddare	M12-18...; M1418C6	
Bullerinformation: Mätvärdena har tagits fram baserade på EN 62841.		
A-värdet av maskinens ljudnivå utgör:		
Ljudtrycksnivå / Onoggrannhet K	79,32 dB(A) / 3 dB(A)	90,66 dB(A) / 3 dB(A)
Ljudeffektsnivå / Onoggrannhet K	87,32 dB(A) / 3 dB(A)	98,66 dB(A) / 3 dB(A)
Använd hörselskydd!		
Vibrationsinformation: Totala vibrationsvärden (vektorsumma ur tre riktningar) framtaget enligt EN 62841.		
Vibrationsemissionsvärde a _v / Onoggrannhet K		
Slagborring i betong	–	8,31 m/s ² / 1,5m/s ²
Borring i metall	1,64 m/s ² / 1,5 m/s ²	1,64 m/s ² / 1,5m/s ²
Skruvning	1,44 m/s ² / 1,5m/s ²	1,44 m/s ² / 1,5 m/s ²

⚠ VARNING!

De deklarerade vibrations- och bullernivåerna på detta informationsblad har uppmätts i enlighet med en standardiserad testmetod enligt EN 62841 och kan användas för att jämföra ett verktyg med ett annat. Det kan användas för en preliminär bedömning av exponeringen.

Den angivna vibrations- och bullernivån representerar verktygets huvudsakliga tillämpningar. Om verktyget emellertid används för olika tillämpningar, med olika eller dåligt underhållna tillbehör, kan vibrations- och bullerutsläppet variera. Detta kan öka exponeringsnivån avsevärt över den totala arbetsperioden.

En uppskattning av exponeringsnivån för vibrationer och buller bör även ta hänsyn till de tider då verktyget är avstängt eller när det körs utan att faktiskt arbeta. Detta kan avsevärt minska exponeringsnivån över den totala arbetsperioden.

Identifiera ytterligare säkerhetsåtgärder för att skydda operatören mot effekterna av vibrationer och/eller buller såsom: underhåll av verktyget och tillbehören, hålla händerna varma, organisation av arbetsmönster.

⚠ VARNING! Läs noga igenom alla säkerhetsanvisningar, illustrationer och specifikationer som medföljer detta elverktyg. Fel som uppstår till följd av att anvisningarna nedan inte följts kan orsaka elstöt, brand och/eller allvarliga kroppsskador. **Förvara alla varningar och anvisningar för framtida bruk.**

SÄKERHETSINSTRUKTIONER FÖR BORRMASKINER
Säkerhetsanvisningar för alla åtgärder

Håll elverktyget i de isolerade greppytorna då du utför en åtgärd där det skärande tillbehöret eller fästen riskerar att komma i kontakt med dolda ledningar. Det skärande tillbehöret eller fästen som kommer i kontakt med en strömförande ledning kan göra exponerade metalldelar på kedjesågen strömförande och ge operatören en elektrisk stöt.

Använd alltid hörselskydd när du använder en slagbormaskin. Buller kan leda till att du förlorar hörseln.

Håll innan arbetet påbörjas fast apparaten ordentligt i det därför avsedda handtaget. Den här apparaten genererar ett högt vridmoment och om du inte håller fast den ordentligt under användningen kan du förlora kontrollen över den och skada dig.

Säkerhetsanvisningar för användning av långa borrar

Använd aldrig ett högre varvtal än det maximala varvtalet som är angivet för borrhänsatsen. Vid högre varvtal kan borrhänsatsen krökas om den roterar utan kontakt mot arbetsstycket, vilket kan leda till personskador.

Starta alltid med ett lågt varvtal och medan borrhänsatsen har kontakt med arbetsstycket. Vid högre varvtal kan borrhänsatsen krökas om den roterar utan kontakt mot arbetsstycket, vilket kan leda till personskador.

Utöva alltid tryck bara i direkt inriktning mot borrhänsatsen och tryck inte alltför hårt. Borrhänsatsen kan krökas och brytas av eller leda till att användare förlorar kontrollen över apparaten, vilket kan leda till personskador.

ÖVRIGA SÄKERHETS- OCH ANVÄNDNINGSSINSTRUKTIONER

Använd skyddsutrustning. Använd alltid skyddsglasögon när du använder maskinen. Som skyddsutrustning rekommenderar vi t ex en dammskyddsmask, skyddshandskar, stabila och halksäkra skor, hjälm och hörselskydd.

VARNING För att minska risken för personskador vid arbeten

med kraftig dammutveckling rekommenderar vi att en Milwaukee dammuppsugningslösning används enligt den respektive bruksanvisningen.

Det damm som bildas under arbetets gång är ofta hälsofarligt och det ska inte komma in i kroppen. Bär därför lämplig skyddsmask.

Det är inte tillåtet att bearbeta material som kan vara hälsovärdigt (t.ex. asbest).

Stäng av maskinen omedelbart om ett verktyg som används sitter fast! Sätt sedan inte på maskinen igen så länge som verktyget som används fortfarande sitter fast; risk för okontrollerade slag med högt reaktionsmoment. Ta reda på orsaken varför verktyget fastnade och åtgärda orsaken med hänsyn till säkerhetsanvisningarna.

Möjliga orsaker kan vara:

- Verktyget sitter snett i arbetsstycket
- Verktyget går igenom materialet som bearbetas
- Elverktyget är överbelastat

Gå aldrig med händerna in i en maskin som är igång.

Verktyget som används kan bli mycket varmt under användningen.

VARNING! Risk för brännskador

- vid verktygsbyte
- när man lägger ifrån sig maskinen

Avlägsna aldrig spån eller flisor när maskinen är igång.

Vid arbetenborrning i vägg, tak eller golv, var alltid observant på befintliga el-, gas- eller vattenledningar.

Säkra arbetsstycket med en fastspänningsanordning. Arbetsstycket som inte är ordentligt fastspända kan leda till allvarlig kroppsskada eller annan skada.

Drag ur batteripaket innan arbete utföres på maskinen.

Kasta inte förbrukade batterier. Lämna dem till Milwaukee Tools för återvinning.

Förvara ej batteriet ihop med metallföremål, kortslutning kan uppstå.

System M18 batterier laddas endast i System M18 laddare. Ladda inte batterier från andra system.

Under extrem belastning eller extrem temperatur kan batterivätska tränga ut ur skadade utbytesbatterier. Vid beröring med batterivätska tvätta genast av med vatten och tvål. Vid ögonkontakt spola genast i minst 10 minuter och kontakta genast läkare.

Sätt inte i bormejslen i verktyget när verktyget är igång och avtryckaren är spärrad eftersom bormejslen då kan vridas och skada användaren.

Varning! För att undvika den fara för brand, personskador eller produktskador som orsakas av en kortslutning, doppa inte ner verktyget, utbytesbatteriet eller laddaren i vätskor och se till att ingen vätska kan tränga in i apparaterna eller batterierna. Korroderande eller ledande vätskor, som saltvatten, vissa kemikalier, blekningsmedel eller produkter som innehåller blekmedel, kan orsaka en kortslutning.

ANVÄND MASKINEN ENLIGT ANVISNINGARNA

M18 BLDDRC: Denna Akkumaskin är användbar för både borrning och skruvning.

M18 BLPDRC: Denna Akku-elektronikmaskin är användbar för både borrning, slagborrning och skruvning.

Maskinen får endast användas för angiven tillämpning.

KVARSTÄENDE RISKER

Även vid föreskriftsenlig användning kan inte alla restriktioner uteslutas. Vid användning kan följande faror, på vilka användaren måste vara särskilt uppmärksam:

- Personskador orsakade av vibration.
Håll fast maskinen i de därför avsedda handtagen och begränsa arbets- och exponeringstiden.
- Bullerbelastning kan leda till hörselskador.
Bär hörselskydd och begränsa exponeringstiden.
- Ögonskador orsakade av smutspartiklar.
Använd alltid skyddsglasögon, stabila långbyxor, handskar och stabila skor.

Inandning av giftigt damm.

ANVISNINGAR AVSEENDE LITIJONBATTERIER

Användning av litiumjonbatterier

Batteri som ej använts på länge måste laddas före nytt bruk.

En temperatur över 50°C reducerar batteriets effekt. Undvik längre uppvärmning tex i solen eller nära ett element.

Se till att anslutningskontaktarna i laddaren och på batteriet är rena.

För att batterierna ska få lång livslängd ska de laddas fulla efter användning.

För att få en så lång livslängd som möjligt bör laddningsbara batterier avlägsnas från laddaren när de är laddade.

Om laddningsbara batterier lagras längre än 30 dagar: Förvara batteriet på en torr plats vid en temperatur under 27 °C. Lagra batteriet vid ca 30%-50% av laddningskapaciteten. Ladda batterierna på nytt var 6:e månad.

Batteri-överbelastningsskydd för litiumjonbatterier

Om det laddningsbara batteriet överbelastas genom en mycket hög strömförbrukning, t.ex. extremt höga vridmoment, om borsten kläms fast, ett plötsligt stopp eller en kortslutning, så vibrerar elverktyget i 5 sekunder, laddningsindikeringen blinkar och elverktyget fränkopplas automatiskt.

För att sedan sätta på elverktyget igen släpper du tryckbrytaren och tillkopplar sedan verktyget igen.

Vid en extrem belastning blir det laddningsbara batteriet för varmt. I detta fall blinkar alla lampor på laddningsindikeringen så länge tills batteriet har svalnat. När laddningsindikeringen har slocknat kan du fortsätta med arbetet.

Transportera litiumjonbatterier

För litiumjon-batterier gäller de lagliga föreskrifterna för transport av farligt gods på väg.

Därför får dessa batterier endast transporteras enligt gällande lokala, nationella och internationella föreskrifter och bestämmelser.

- Konsumenter får transportera dessa batterier på allmän väg utan att behöva beakta särskilda föreskrifter.
- För kommersiell transport av litiumjon-batterier genom en speditorsfirma gäller emellertid bestämmelserna för transport av farligt gods på väg. Endast personal som känner till alla tillämpliga föreskrifter och bestämmelser får förbereda och genomföra transporten. Hela processen ska följas upp på fackmässigt sätt.

Följande ska beaktas i samband med transporten av batterier:

- Säkerställ att alla kontakter är skyddade och isolerade för att undvika kortslutning.
- Se till att batteripacken inte kan glida fram och tillbaka i förpackningen.
- Transportera aldrig batterier som läcker, har runnit ut eller är skadade.

För mer information vänligen kontakta din speditorsfirma.

RENGÖRING

Se till att motorhöljets luftslitsar är rena.

SKÖTSEL

Använd endast Milwaukee-tillbehör och Milwaukee-reservdelar. Komponenter, för vilka inget byte beskrivs, skall bytas ut hos Milwaukee-kundtjänst (se broschyren garanti-/kundtjänstadresser).

Vid behov kan du rekvidrera apparatens sprängskiss antingen hos kundservicen eller direkt hos Techtronic Industries GmbH, Max-Eyth-Straße 10, 71364 Winnenden, Germany. Du ska då ange maskintypen och numret på sex siffror som står på effektskylten.

SYMBOLER



Läs instruktionen noga innan du startar maskinen.



OBSERVERA! VARNING! FARA!



Drag ur batteripaket innan arbete utföres på maskinen.



Använd alltid skyddsglasögon.



Använd hörselskydd!



Bär därför lämplig skyddsmask.



Bär skyddshandskar!



Tillbehör - Ingår ej i leveransomfånget, erhålles som tillbehör.



Förbrukade batterier och avfall som utgörs av eller innehåller elektrisk och elektronisk utrustning (WEEE) får inte slängas tillsammans med de vanliga hushållsoporna. Förbrukade batterier eller WEEE ska samlas och avfallshanteras separat.

Ta ut förbrukade batterier, förbrukade ackumulatorer och ljuskällor ur produkterna innan de avfallshanteras. Kontakta den lokala myndigheten respektive kommunen eller fråga återförsäljare var det finns speciella avfallsstationer för elskrot. Beroende på de lokala bestämmelserna kan återförsäljare vara skyldiga att ta tillbaka förbrukade batterier eller WEEE gratis. Bidra till att minska behovet av råämnen genom återanvändning och återvinning av dina förbrukade batterier eller ditt WEEE. Förbrukade batterier (i synnerhet litiumjonbatterier) och WEEE innehåller värdefulla återvinningsbara material som kan skada miljön och din hälsa om de inte avfallshanteras på korrekt sätt. Tänk på att radera eventuella personuppgifter som kan finnas på din utrustning innan du lämnar den till avfallshanteringen.

n_0

Tomgångsvarvtal

V

Spänning



Likström



Europeiskt konformitetsmärke



Brittisk symbol för överensstämmelse



Ukrainskt konformitetsmärke

001



Euroasiatiskt konformitetsmärke

TEKNISET ARVOT	M18 BLDDRC	M18 BLPDRC
Tyyppi	Akku-porakone/ruuvinkierrin	Akku-iskuporakone/ruuvinkierrin
Tuotantonumero	4817 09 01 XXXXX MJJJJ	4817 46 01 XXXXX MJJJJ
Akkusarjan jännite	18 V ---	18 V ---
Kuormittamaton kierros/luku 1. vaihteella	0-550 min ⁻¹	0-550 min ⁻¹
Kuormittamaton kierros/luku 2. vaihe	0-1700 min ⁻¹	0-1700 min ⁻¹
Iskutaajuus 1. vaihteella	–	: 0-8250 min ⁻¹
Iskutaajuus 2. vaihteella	–	0-25000 min ⁻¹
Vääntömomentti	60,5 Nm	60,5 Nm
Poran Ø puuhun	–	–
laakaporan kera	32 mm	32 mm
kairaporan kera	25,4 mm	25,4 mm
reikäsaahan kera	51 mm	51 mm
itseporautuvan poran kera	1-3/8" (35 mm)	1-3/8" (35 mm)
Poran Ø tiiliin ja kalkkikhiekakiviin	–	–
Puuruuvi (ilman esiporausta)	13 mm	13 mm
Istukan aukeama	1,6 – 13 mm	1,6 – 13 mm
Paino EPTA-menettelyn 01/2014mukaan (2.0 Ah ... 12.0 Ah)	1,5 kg...2,8 kg	1,5...2,8 kg
Suosittelun ympäristön lämpötila työn aikana	–	-18...+50 °C
Suosittelut akuttyypit	M18B...; M18HB...	
Suosittelut latauslaitteet	M12-18...; M1418C6	
Melunpäästötiedot:		
Mitta-arvot määritetty EN 62841 mukaan.		
Koneen tyypillinen A-luokitettu melutaso:		
Melutaso / Epävarmuus K	79,32 dB(A) / 3 dB(A)	90,66 dB(A) / 3 dB(A)
Äänenvoimakkuus / Epävarmuus K	87,32 dB(A) / 3 dB(A)	98,66 dB(A) / 3 dB(A)
Käytä kuulonsuojaimia!		
Tärinätiedot: Värähtelyn yhteisarvot (kolmen suunnan vektorisumma) mitattuna EN 62841 mukaan.		
Värähtelyemissioarvo a _h / Epävarmuus K	–	8,31 m/s ² / 1,5m/s ²
Betonin iskuporaaminen		
Metallin poraaminen	1,64 m/s ² / 1,5 m/s ²	1,64 m/s ² / 1,5m/s ²
Ruuvinvääntö	1,44 m/s ² / 1,5m/s ²	1,44 m/s ² / 1,5 m/s ²

VAROITUS!
Tässä tiedotteessa ilmoitettu (ilmoitetut) tärinä- ja melunpäästöarvo(t) on mitattu standardisoidulla testimenetelmällä SFS-EN 62841 mukaisesti ja sitä voidaan käyttää työkalun vertailumiseen toisen työkalun kanssa. Sitä voidaan käyttää alustavaan alitistuksen arviointiin. Ilmoitettu tärinä- ja melunpäästöarvo koskee työkalun pääkäyttötarkoituksia. Jos kuitenkin työkalua käytetään eri käyttötarkoituksiin eri varusteiden kanssa tai huonosti huollettuina, voi tärinä- ja melunpäästö erota ilmoitetusta. Tämä voi merkittävästi nostaa alitistustasoa koko työskentelyjakson ajaksi.

Arvioidussa tärinä- ja melualitistustasossa tulisi ottaa huomioon myös työkalun sammutuskerrat tai sen tyhjäkäynti. Tämä voi merkittävästi laskea alitistustasoa koko työskentelyjakson ajaksi.

Tunnista esimerkiksi seuraavat lisävaroitukset, joilla voidaan suojata käyttäjää tärinä ja/tai melun vaikutuksilta: työkalun ja varusteiden ylläpito, käsien lämpimänä pito, työnkulun organisointi.

PORAKONEIDEN TURVALLISUUSOHJEET

Turvallisuusohjeet kaikkiin toimintoihin

Pidä sähkötyökalusta kiinni eristettyjen tartuntapintojen kohdalta työskennellessäsi kohteessa, missä leikkuosa tai kiinnikkeet voivat joutua kosketuksiin piilotettujen johtojen kanssa. Jos leikkuosa tai kiinnikkeet joutuvat kosketuksiin aktiivisen sähköjohton kanssa, tämä saattaa aktivoida laitteen metalliset osat ja aiheuttaa käyttäjälle sähköiskun.

Käytä kuulonsuojaimia iskuporattaessa. Melulle altistuminen voi heikentää kuuloa

Pitele laitetta tukevasti tähän tarkoitettu kahvasta ennen työn aloittamista. Tämän laitteen käytössä syntyy voimakas vääntömomentti, ja saatat menettää laitteen hallinnan ja

loukkaantua, ellet pittele sitä käytön aikana tukevasti.

Turvallisuusmääräykset pitkien poranterien käyttöä varten

Älä koskaan käytä suurempaa kierroslukua kuin suurinta poraustyökalulle sallittua kierroslukua. Suuremmalla kierrosluvulla poraustyökalu saattaa vääntyä, jos se pyörii koskettamatta työstökappaleeseen, ja tästä voi aiheutua tapaturmia.

Aloita työskentely aina alhaisella kierrosluvulla poraustyökalun ollessa kosketuksissa työstökappaleeseen. Suuremmalla kierrosluvulla poraustyökalu saattaa vääntyä, jos se pyörii koskettamatta työstökappaleeseen, ja tästä voi aiheutua tapaturmia.

Paina poraustyökalua aina suorassa suunnassa työstökappaleeseen äläkä paina sitä liian voimakkaasti. Poraustyökalut säätävät vääntöä ja rikkoutua tai aiheuttaa laitteen hallinnan menettämisen, josta voi seurata tapaturmia.

TÄYDENTÄVIÄ TURVALLISUUSMÄÄRÄYKSIÄ JA TYÖSKENTELYOHJEITA

Käytä suojavarusteita. Käytä aina suojalaseja käyttäessäsi koneita. Suosittelemme suojavarusteiden käyttöä, näihin kuuluvat pölysuojanaamari, työkasineet, tukevat, luistamattomat jalkineet, kypärä ja kuulosuojukset.

VAROITUS Tapaturman vaaran vähentämiseksi töissä, joissa syntyy huomattavia pölymääriä, suosittelemme käyttämään Milwaukeeen pölynpöistömuratkaisua käyttööhejen mukaisesti.

Koneen käytöstä aiheutuva pöly ja jäte voi olla haitallista terveydelle eikä sen vuoksi tulisi päästä kosketukseen ihon kanssa. Koneella työskennellessä on käytettävä sopivaa suojausta.

Terveydellisiä vaaroja aiheuttavien materiaalien (esim. asbestin) työstäminen on kiellettyä.

Jos käytetty työkalu juuttuu kiinni, sammuta laite heti! Älä kytke laitetta uudelleen päälle työkalun ollessa vielä kiinni juuttuneena, koska tästä saattaa aiheutua voimakas takaisku. Selvitä työkalun juuttumisen syy ja poista syy turvallisuusmääräyksiä noudattaen.

Mahdollisia syitä voivat olla:

- työkalun vinoutuminen työstökappaleessa
- työstetyn materiaalin puhkaiseminen
- sähkötyökalun yliuormitus

Älä tartu käynnissä olevan koneen työosiin.

Käytetty työkalu saattaa kuumeta käytön aikana.

VAROITUS! Palovamman vaara

- työkalua vaihdettaessa
- laitetta pois laskettaessa

Lastuja tai puruja ei saa poistaa koneen käydessä.

Varo seinään, kattoon tai lattiaan porattaessa osumasta sähköjohtoon, kaasu- ja vesijohtoihin.

Varmista työstökappaleesi kiinnityslaitteella paikalleen. Varmistamattomat työstökappaleet saattavat aiheuttaa vakavia vammoja ja vaurioita.

Ota akku pois ennen kaikkia koneeseen tehtäviä toimenpiteitä.

Käytettyä vaihtoakkua ei saa polttaa eikä poistaa normaalin jätehuollon kautta. Milwaukeeella on tarjolla vanhoja vaihtoakkua varten ympäristöystävällinen jätehuoltopalvelu.

Vaihtoakkua ei saa säilyttää yhdessä metalliesineiden kanssa (oikosulkuvaara).

Käytä ainoastaan System M18 latauslaitetta System M18 akkujen lataukseen. Älä käytä muiden järjestelmien akkuja.

Vaurioituneesta akusta saattaa erityisen kovassa käytössä tai poikkeavassa lämpötilassa vuotaa akkuhappoa. Ihonkohta, joka on joutunut kosketukseen akkuhapon kanssa on viipymättä pestävä vedellä ja saippualla. Silmä, johon on joutunut akkuhappoa, on huuhdeltava vedellä vähintään 10 minuutin ajan, jonka jälkeen on viipymättä hakeuduttava lääkärin apuun.

Älä pane palaa työkaluun sen käydessä ja kun katkaisin on lukittu käyttötilaan, sillä pala pyörii ja saattaa vahingoittaa käyttäjää.

Varoitus! Jotta vältetään lyhytsulun aiheuttama tulipalon, loukkaantumisen tai tuotteen vahingoittamisen vaara, älä koskaan upota työkalua, vaihtoakkua tai latauslaitetta nesteeseen ja huolehdi siitä, ettei mitään nesteitä pääse tunkeutumaan laitteiden tai akkujen sisään. Sövyttävät tai sähköä johtavat nesteet, kuten suolavesi, tietyt kemikaalit ja lalkaisuaineet tai valkaisuaineita sisältävät tuotteet voivat aiheuttaa lyhytsulun.

TARKOITUKSEN MUKAINEN KÄYTTÖ

M18 BLDDRC: Akkuporakone/ruuvinväänin on akkukäyttöinen ja toimii ilman verkkojohtoa.

M18 BLPDRC: Elektronisella akkuiskuporakoneella voi porata, iskuporata ja ruuvata ilmanverkkojohtoa. Koneeseen on seuraavat ominaisuudet:

Älä käytä tuotetta ohjeiden vastaisesti.

JÄÄMÄRISKIT

Kaikkia jäämäriskkejä ei voida sulkea pois myöskään määräysten mukaisen käytön aikana. Käytössä saattaa syntyä seuraavia vaaroja, joita käyttäjän tulisi varoa erityisen huolella:

- Tärinä aiheuttamat vammat.
- Pitele laitetta tähän tarkoitettuista kahvoista ja rajoita työskentelyä alitistumisaikasi.
- Melurasisu saattaa aiheuttaa kuulovaurioita. Käytä kuulonsuojaimia ja rajoita alitistumisen kestoa.
- Likahiukkasten aiheuttamat silmävammat. Käytä aina suojalaseja, tukevia pitkälahkeisia housuja, käsineitä ja tukevia jalkineita.

Myrkyllisten pölyjen sisäänhengittäminen.

L-IONI AKKUJEN OHJEITA

Li-ioniakkujen käyttö

Pitkään käyttämättä olleet paristot on ladattava ennen käyttöä.

Yli 50°C lämpötilassa akun suorituskyky heikkenee. Vältä akkujen säilyttämistä auringossa tai kuumissa tiloissa.

Pidä aina latauslaitteen ja akun kosketinpinnat puhtaina.

Optimaalisen käyttöajan saavuttamiseksi akut on ladattava täyteen käytön jälkeen.

Mahdollisimman pitkän elinajan takaamiseksi akut tulee poistaa laturista lataamisen jälkeen.

Akkuja yli 30 päivää säilytettäessä: Säilytä akku kuivassa paikassa alle 27 °C:n lämpötilassa.

Säilytä akku sen latauksen ollessa 30 % - 50 %.

Lataa akku 6 kuukauden välein uudelleen.

Li-ioniakkujen yli lataussuojaus

Jos akku yliuormittuu erittäin suuren virrankulutuksen takia, esim. erittäin voimakkaiden vääntömomenttien, poranterän kiinnijuuttumisen, äkillisen pysähtymisen tai oikosulun vuoksi, niin sähkötyökalu tärisee 5 sekunnin ajan, latausnäyttö vilkkuu ja sähkötyökalu sammuu omatoimisesti. Käynnistä laite uudelleen päästämällä katkaisinpainikkeen irti ja käynnistämällä laitteen sitten uudelleen.

Erittäin suuressa kuormituksessa akku kuumenee liikaa. Tässä tapauksessa latausnäytön kaikki lamput vilkkuvat, kunnes akku on jäähtynyt. Kun latausnäyttö on sammunut, voi työtä jatkaa.

Li-ioniakkujen kuljettaminen

Litiumi-ioniakut kuuluvat vaarallisten aineiden kuljetuksesta annettujen lakien piiriin.

Näiden akkujen kuljettaminen täytyy suorittaa noudattaen paikallisia, kansallisia ja kansainvälisiä määräyksiä ja säädeksiä.

- Kuluttajat saavat ilman muuta kuljettaa näitä akkuja teitä pitkin.
- Kaupallisessa kuljetuksessa huolintaliikkeiden täytyy kuljettaa litiumi-ioniakkuja vaarallisten aineiden kuljetuksesta annettujen määräysten mukaisesti. Ainoastaan tähän vastaavasti koulutetut henkilöt saavat suorittaa kuljetuksen valmistelutöitä ja itse kuljetuksen. Koko prosessia tulee valvoa asiantuntevasti.

Seuraavat kohdat tulee huomioida akkuja kuljetettaessa:

- Varmista, että akkujen kontaktit on suojattu ja eristetty, jotta vältetään lyhytsulut.
- Huolehdi siitä, ettei akkusarja voi luiskahtaa paikaltaan pakkauksen sisällä.
- Vahingoittuneita tai vuotavia akkuja ei saa kuljettaa.

Pyydä tarkemmat tiedot huolintaliikkeeltäsi.

PUHDISTUS

Pidä moottorin ilmanottoaukot puhtaina.

HUOLTO

Käytä ainoastaan Milwaukee lisätarvikkeita ja Milwaukee varaosia. Mikäli jokin komponentti, jota ei ole kuvailtu, tarvitsee vaihtoa ota yhteys johonkin Milwaukee palvelupisteistä (kts. listamme takuuhuoltoilikkeiden/ palvelupisteiden osoitteista)

Tarvittaessa voit pyytää laitteen räjähdyspiirustuksen ilmoittaan koneityypin ja tyyppikilvessä olevan kuusinumeroisen luvun huoltopalvelustasi tai suoraan osoitteella Techtronic Industries GmbH, Max-Eyth-Strasse 10, 71364 Winnenden, Saksa.

SYMBOLIT

	Lue käyttöohjeet huolellisesti, ennen koneen käynnistämistä.
	HUOMIO! VAROITUS! VAARA!
	Ota akku pois ennen kaikkia koneeseen tehtäviä toimenpiteitä.
	Käytä laitteella työskennellessäsi aina suojalaseja.
	Käytä kuulosuojaimia!
	Koneella työskennellessä on käytettävä sopivaa suojainta.
	Käytä suojakäsineitä!
	Lisälaitte - Ei sisälly vakiovarustukseen, saatavana lisätarvikkeena.
	Älä hävitä käytettyjä paristoja, sähkö- ja elektroniikkaromua lajittelemattomana yhdyskuntajätteenä. Käytetyt paristot sekä sähkö- ja elektroniikkaromu on kerättävä erikseen. Käytetyt paristot, romuakut ja valonlähteet on irrotettava laitteista. Kysy paikallisilta viranomaisilta tai jälleenmyyjiltä neuvoa kierrättämiseen ja tietoa keräyspisteestä. Paikalliset säännökset saattavat velvoittaa vähittäiskauppiaat ottamaan käytetyt paristot, sähkö- ja elektroniikkaromun takaisin maksutta. Panoksesi käytettyjen paristojen sekä sähkö- ja elektroniikkalaiteromun uudelleenkäytössä ja kierrätyksessä auttaa vähentämään raaka-aineiden kysyntää. Käytetyt paristot, etenkin litiumia sisältävät, sekä sähkö- ja elektroniikkaromu sisältävät arvokkaita, kierrätettäviä materiaaleja, jotka saattavat vaikuttaa haitallisesti ympäristöön ja ihmisten terveyteen, jos niitä ei hävitetä ympäristöstävällisesti. Poista mahdolliset henkilökohtaiset tiedot hävitettävästä laitteesta.
	Joutokäyntikierrosuku
	Jännite
	Tasavirta

	Euroopan säännönmukaisuusmerkki
	Iso-Britannian standardinmukaisuusmerkki
	Ukrainan säännönmukaisuusmerkki
	Euraasian säännönmukaisuusmerkki

TEKNIKA ΣΤΟΙΧΕΙΑ	M18 BLDDRC	M18 BLPDRC
Κατασκευαστικό είδος	Δραπανοκαταβίδο μπαταρίας/Κρουστικό δραπανοκαταβίδο μπαταρίας	
Αριθμός παραγωγής	4817 09 01 XXXXXX MJJJJ	4817 46 01 XXXXXX MJJJJ
Τάση μονάδας μπαταρίας	18 V ---	18 V ---
Αριθμός στροφών χωρίς φορτίο στην 1η ταχύτητα	0-550 min ⁻¹	0-550 min ⁻¹
Αριθμός στροφών χωρίς φορτίο στη 2η ταχύτητα	0-1700 min ⁻¹	0-1700 min ⁻¹
Μέγιστος αριθμός κρούσεων στην 1η ταχύτητα	–	: 0-8250 min ⁻¹
Μέγιστος αριθμός κρούσεων στην 2η ταχύτητα	–	0-25000 min ⁻¹
Ροπή στρέψης	60,5 Nm	60,5 Nm
Διάμετρος τρύπας σε ξύλο με τρυπάνι φτερού	32 mm	32 mm
με ελικοειδή τρυπάνι ξύλου	25,4 mm	25,4 mm
με ποτηροτρύπανο	51 mm	51 mm
με αυτοτροφοδοτούμενο τρυπάνι	1-3/8" (35 mm)	1-3/8" (35 mm)
Διάμετρος τρύπας σε τούβλο και ασβεστόλιθο	–	10 mm
Ξυλόβιδες (χωρίς προδιάτρηση)	13 mm	13 mm
Περιοχή σύσφιξης του τσοκ	1,6 – 13 mm	1,6 – 13 mm
Βάρος σύμφωνα με τη διαδικασία EPTA 01/2014 (2.0 Ah ... 12.0 Ah)	1,5 kg...2,8 kg	1,5...2,8 kg
Συνιστώμενη θερμοκρασία περιβάλλοντος κατά την εργασία	-18...+50 °C	
Συνιστώμενοι τύποι συσσωρευτών	M18B...; M18HB...	
Συνιστώμενες συσκευές φόρτισης	M12-18...; M1418C6	
Πληροφορίες θορύβου: Τιμές μέτρησης εξακριβωμένες κατά EN 62841. Η σύφωνα με την καμπύλη A εκτιμηθείσα στάθμη θορύβου του μηχανήματος αναφέρεται σε:		
Στάθμη ηχητικής πίεσης / Ανασφάλεια K	79,32 dB(A) / 3 dB(A)	90,66 dB(A) / 3 dB(A)
Στάθμη ηχητικής ισχύος / Ανασφάλεια K	87,32 dB(A) / 3 dB(A)	98,66 dB(A) / 3 dB(A)
Φοράτε προστασία ακοής (ωτασπίδες)!		
Πληροφορίες δόνησεων: Υλικές τιμές κραδασμών (άθροισμα διανυσμάτων τριών διευθύνσεων) εξακριβώθηκαν σύμφωνα με τα πρότυπα EN 62841.		
Τιμή εκπομπής δόνησεων a _h / Ανασφάλεια K	–	8,31 m/s ² / 1,5m/s ²
Κρουστικό τρυπάνι σε μπετόν	–	8,31 m/s ² / 1,5m/s ²
Τρύπες σε μέταλλο	1,64 m/s ² / 1,5 m/s ²	1,64 m/s ² / 1,5m/s ²
Βίδωμα	1,44 m/s ² / 1,5m/s ²	1,44 m/s ² / 1,5 m/s ²

⚠ ΠΡΟΕΙΔΟΠΟΙΗΣΗ!

Το αναφερόμενο στο παρόν φυλλάδιο επίπεδο τιμών δόνησης και εκπομπής θορύβου έχει μετρηθεί σύμφωνα με μια τυπική μέθοδο δοκιμών κατά το πρότυπο EN 62841 και μπορεί να χρησιμοποιηθεί για τη σύγκριση εργαλείων μεταξύ τους. Μπορεί να χρησιμοποιηθεί για μια προκαταρκτική αξιολόγηση της έκθεσης.

Οι αναφερόμενες τιμές επιπέδων δόνησης και εκπομπής θορύβου αντιστοιχούν στις βασικές εφαρμογές του εργαλείου. Στην περίπτωση χρήσης του εργαλείου σε διαφορετικές εφαρμογές, με διαφορετικά εξαρτήματα ή ανεπαρκή συντήρηση, τα επίπεδα δόνησης και εκπομπών θορύβου ενδέχεται να διαφέρουν. Αυτό μπορεί να έχει ως συνέπεια μία σημαντική αύξηση των επιπέδων έκθεσης καθόλη τη διάρκεια εκτέλεσης των εργασιών.

Για μία εκτίμηση των επιπέδων έκθεσης σε δόνηση και θόρυβο πρέπει να συνηθίζονται οι χρόνοι απενεργοποίησης του εργαλείου ή αυτοί κατά τους οποίους παραμένει ενεργό χωρίς να εκτελείται κάποια εργασία. Αυτό μπορεί να μειώσει σημαντικά τα επίπεδα έκθεσης καθόλη τη διάρκεια εκτέλεσης των εργασιών.

Ορίστε πρόσθετα μέτρα προστασίας του χειριστή από την έκθεση στη δόνηση ή/και στον θόρυβο όπως: συντήρηση του εργαλείου και των παρελκόμενων εξαρτημάτων, διατήρηση θερμότητας των χεριών, οργάνωση μοτίβων εργασίας.

⚠ ΠΡΟΕΙΔΟΠΟΙΗΣΗ! Διαβάστε όλες τις προειδοποιητικές υποδείξεις, οδηγίες, περιγραφές και προδιαγραφές γι' αυτό το ηλεκτρικό εργαλείο. Αμέλειες κατά την τήρηση των προειδοποιητικών υποδείξεων μπορεί να προκαλέσουν ηλεκτροπληξία, κίνδυνο πυρκαγιάς ή/και σοβαρούς τραυματισμούς. Φυλάξτε όλες τις προειδοποιητικές υποδείξεις και οδηγίες για κάθε μελλοντική χρήση.

ΥΠΟΔΕΙΞΕΙΣ ΑΣΦΑΛΕΙΑΣ ΓΙΑ ΔΡΑΠΑΝΑ

Οδηγίες ασφαλείας για όλες τις λειτουργίες

Κρατήστε το ηλεκτρικό εργαλείο από μονωμένες επιφάνειες πιασίματος, όταν εκτελείτε μία εργασία, επειδή το εξάρτημα κοπής ή οι σφιγκτήρες μπορεί να έρθουν σε επαφή με κρυμμένα καλώδια του. Το εξάρτημα κοπής ή οι σφιγκτήρες που έρχονται σε επαφή με ρευματοφόρα καλώδια μπορεί να καταστήσουν εξωτερικά μεταλλικά εξαρτήματα του ηλεκτρικού εργαλείου επίσης ρευματοφόρα και να προκαλέσουν ηλεκτροπληξία στον χειριστή.

Κατά την κρουστική διάτρηση φοράτε ωτασπίδες. Η επίδραση του θορύβου μπορεί να προκαλέσει απώλεια ακοής.

Πριν την έναρξη της εργασίας να κρατάτε το εργαλείο σταθερά από την προβλεπόμενη λαβή. Αυτό το εργαλείο έχει υψηλή ροπή στρέψεως κι όταν δεν το κρατάτε καλά κατά τη διάρκεια της λειτουργίας, μπορεί να χάσετε τον έλεγχο και να τραυματιστείτε.

Υποδείξεις ασφαλείας για τη χρήση μακρών τρυπανιών

Μη χρησιμοποιείτε ποτέ έναν υψηλότερο αριθμό στροφών από τον ανώτατο αριθμό στροφών που ενδείκνυται για το τρυπάνι.

Με υψηλότερο αριθμό στροφών μπορεί να λυγίσει το τρυπάνι κατά την περιστροφή άνευ επαφής στο κατεργαζόμενο τεμάχιο· πράγμα που μπορεί να οδηγήσει σε τραυματισμούς.

Να ξεκινάτε πάντα με χαμηλό αριθμό στροφών κι όταν εφάπτεται το τρυπάνι στο κατεργαζόμενο τεμάχιο. Με υψηλότερο αριθμό στροφών μπορεί να λυγίσει το τρυπάνι κατά την περιστροφή άνευ επαφής στο κατεργαζόμενο τεμάχιο· πράγμα που μπορεί να οδηγήσει σε τραυματισμούς.

Να ασκείτε πίεση μόνο σε πλήρη ευθυγράμμιση με το τρυπάνι και να μην πιέζετε υπερβολικά. Στελέχη τρυπανιών θα μπορούσαν να λυγίσουν και να σπασούν ή να οδηγήσουν σε απώλεια του ελέγχου του εργαλείου, με αποτέλεσμα να προκληθούν τραυματισμοί.

ΠΕΡΑΙΤΕΡΩ ΟΔΗΓΙΕΣ ΑΣΦΑΛΕΙΑΣ ΚΑΙ ΧΡΗΣΕΩΣ

Χρησιμοποιείτε προστατευτικό εξοπλισμό. Κατά την εργασία με τη μηχανή φοράτε πάντα προστατευτικά γυαλιά. Συνιστούμε επίσης προστατευτική ενδυμασία όπως επίσης μάσκα προστασίας αναπνοής, προστατευτικά γάντια, σταθερά και ασφαλή στην ολισθήση υποδήματα, κράνος και ωτοασπίδες.

ΠΡΟΕΙΔΟΠΟΙΗΣΗ Για τη μείωση του κινδύνου τραυματισμού κατά τις εργασίες, κατά τις οποίες προκύπτει πολύ σκόνη, συνιστούμε τη χρήση ενός αναρροφητή σκόνης της Milwaukee σύμφωνα με τις οδηγίες χειρισμού.

Η σκόνη που δημιουργείται κατά την εργασία είναι συχνά επιβλαβής για την υγεία και δεν επιτρέπεται να έλθει στο σώμα. Να φοράτε κατάλληλη μάσκα προστασίας από σκόνη.

Μην επεξεργάζεστε επικίνδυνα για την υγεία υλικά (π.χ. αμιάντος).

Σε περίπτωση μπλοκαρίσματος της αρίδας απενεργοποιείστε αμέσως τη συσκευή! Μην ενεργοποιείτε εκ νέου τη συσκευή όσο η αρίδα είναι μπλοκαρισμένη. Σ' αυτή τη περίπτωση θα υποβληθεί να προκύψει υψηλή ροπή αντίδρασης. Βρείτε την αιτία του μπλοκαρίσματος της αρίδας και ξεμπλοκάρετε την λαμβάνοντας υπόψη τις οδηγίες ασφαλείας.

Πιθανές αιτίες:

- Η αρίδα μάγκωσε με το προς καταργασία κομμάτι.
- Σπάσιμο του προς καταργασία υλικού.
- Υπερφόρτωση του ηλεκτρικού εργαλείου.

Μην απλώνετε τα χέρια σας στην επικίνδυνη περιοχή της μηχανής όταν είναι σε λειτουργία.

Η θερμοκρασία της αρίδας μπορεί να φτάσει σε υψηλά επίπεδα κατά τη λειτουργία.

ΠΡΟΕΙΔΟΠΟΙΗΣΗ! Κίνδυνος εγκαύματος

- κατά την αλλαγή εργαλείου (αρίδας)
- κατά την απόθεση της συσκευής

Τα γυαλιά ή οι σκληθρες δεν επιτρέπεται να απομακρύνονται όσο η μηχανή βρίσκεται σε λειτουργία.

Κατά τις εργασίες σε τοίχο, οροφή ή δάπεδο προσέχετε για τυχόν ηλεκτρικά καλώδια και για σωλήνες αερίου και νερού.

Ασφαλίστε το προς καταργασία κομμάτι στη μέγγηση ή με μια άλλη διάταξη στερέωσης. Μη ασφαλισμένα προς καταργασία κομμάτια μπορεί να προκαλέσουν σοβαρούς τραυματισμούς και ζημιές.

Πριν από κάθε εργασία στη μηχανή αφαιρείτε την ανταλλακτική μπαταρία.

Μην πετάτε τις μεταχειρισμένες ανταλλακτικές μπαταρίες στη φωτιά ή στα οικιακά απορρίμματα. Η Milwaukee προσφέρει μια απόσυρση των παλιών ανταλλακτικών μπαταριών σύμφωνα με τους κανόνες προστασίας του περιβάλλοντος, ρωτήστε παρακάτω σχετικά στο ειδικό κατάστημα πώλησης.

Μην αποθηκεύετε τις ανταλλακτικές μπαταρίες μαζί με μεταλλικά αντικείμενα (κίνδυνος βραχυκυκλώματος).

Φορτίζετε τις ανταλλακτικές μπαταρίες του συστήματος M18 μόνο με φορτιστές του συστήματος M18. Μη φορτίζετε μπαταρίες από άλλα συστήματα.

Όταν υπάρχει υπερβολική καταπόνηση ή υψηλή θερμοκρασία μπορεί να τρέξει υγρό μπαταρίας από τις χαλασμένες επαναφορτιζόμενες μπαταρίες. Αν έρθετε σε επαφή με υγρό μπαταρίας να πλυθείτε αμέσως με νερό και σαπούνι. Σε περίπτωση επαφής με τα μάτια να πλυθείτε σχολαστικά για τουλάχιστον 10 λεπτά και να αναζητήσετε αμέσως ένα γιατρό.

Μην τοποθετείτε μια μύτη, όταν λειτουργεί το μηχανήμα και είναι η σκανδάλη μανταλωμένη, επειδή η μύτη συνεχίζει να περιστρέφεται και μπορεί να τραυματίσει το χρήστη.

Προειδοποίηση! Για να αποτρέπεται τον κίνδυνο πυρκαγιάς λόγω βραχυκυκλώματος, τραυματισμούς ή ζημιές του προϊόντος, να μη βυθίζετε το εργαλείο, τον ανταλλακτικό συσσωρευτή ή τη συσκευή φόρτισης σε υγρό και να φροντίζετε, ώστε να μη διεισδύουν υγρά στις συσκευές και τους συσσωρευτές. Διαβρωτικές ή αγώγιμες υγρές ουσίες, όπως αλατόνερο, ορισμένες χημικές ουσίες και λευκαντικά ή προϊόντα που περιέχουν λευκαντικά, μπορεί να προκαλέσουν βραχυκυκλώμα.

ΧΡΗΣΗ ΣΥΜΦΩΝΑ ΜΕ ΤΟ ΣΚΟΠΟ ΠΡΟΟΡΙΣΜΟΥ

M18 BLDDRC: Το δραπενοκατάβιδο μπαταρίας μπορεί να χρησιμοποιηθεί γενικά για τρύπημα και βίδωμα ανεξάρτητα από το αν υπάρχει παροχή ρεύματος.

M18 BLPRDC: Το ηλεκτρονικό κρουστικό δραπενοκατάβιδο μπαταρίας μπορεί να χρησιμοποιηθεί γενικά για τρύπημα, κρουστικό τρύπημα και βίδωμα ανεξάρτητα από το αν υπάρχει παροχή ρεύματος.

Αυτή η συσκευή επιτρέπεται να χρησιμοποιηθεί μόνο σύμφωνα με τον αναφερόμενο σκοπό προορισμού.

ΥΠΟΛΕΙΠΟΜΕΝΟΙ ΚΙΝΔΥΝΟΙ

Ακόμη και σε κανονική χρήση δεν μπορούν να αποκλείονται όλοι οι υπολειπόμενοι κίνδυνοι. Κατά τη χρήση θα μπορούσαν να προκύψουν οι ακόλουθοι κίνδυνοι, στους οποίους θα έπρεπε να δίνει ο χειριστής ιδιαίτερη προσοχή:

- Τραυματισμοί που προκύπτουν από δονήσεις. Να κρατάτε το μηχανήμα από τις προβλεπόμενες για το σκοπό αυτό χειρολαβές και να περιορίζετε το χρόνο εργασίας και έκθεσης.
 - Η ηχορύπανση μπορεί να οδηγήσει σε ακουστικά τραύματα. Να φοράτε προστατευτικά ακοής και να περιορίζετε τη διάρκεια έκθεσης.
 - Τραυματισμοί των οφθαλμών που προκύπτουν από ρυπαρόνα σωματίδια. Να φοράτε πάντα προστατευτικά γυαλιά, ανθεκτικά, μακριά παντελόνια, γάντια και ανθεκτικά υποδήματα.
- Εισπνοή δηλητηριώδους ατμόσφαιρας.

ΥΠΟΔΕΞΕΙΣ ΓΙΑ ΕΠΑΝΑΦΟΡΤΙΖΟΜΕΝΕΣ ΜΠΑΤΑΡΙΕΣ ΙΟΝΤΩΝ ΛΙΘΙΟΥ

Χρήση επαναφορτιζόμενων μπαταριών ιόντων λιθίου

Επαναφορτίζετε τις μπαταρίες που δεν έχουν χρησιμοποιηθεί για μεγαλύτερο χρονικό διάστημα πριν τη χρήση.

Μια θερμοκρασία πάνω από 50°C μειώνει την ισχύ της μπαταρίας. Αποφεύγετε τη θέρμανση για μεγαλύτερο χρονικό διάστημα από τον ήλιο ή τις συσκευές θέρμανσης.

Διατηρείτε τις επαφές σύνδεσης στο φορτιστή και στην ανταλλακτική μπαταρία καθαρές.

Για μια άριστη διάρκεια ζωής πρέπει μετά τη χρήση οι μπαταρίες να φορτιστούν πλήρως.

Για μια κατά το δυνατόν μεγάλη διάρκεια ζωής οι μπαταρίες μετά τη φόρτιση οφείλουν να αφαιρεθούν από το φορτιστή.

Για την αποθήκευση της μπαταρίας για διάστημα μεγαλύτερο των 30 ημερών:

Αποθηκεύετε τον συσσωρευτή σε έναν ξηρό χώρο, σε θερμοκρασία κάτω των 27 °C.

Αποθηκεύετε τη μπαταρία περ. στο 30%-50% της κατάστασης φόρτισης.

Κάθε 6 μήνες φορτίζετε εκ νέου τη μπαταρία.

Προστασία υπερφόρτισης επαναφορτιζόμενων μπαταριών ιόντων λιθίου

Σε υπερφόρτιση της μπαταρίας από πολύ υψηλή κατανάλωση ρεύματος, π. χ. από ακραίες υψηλές ροπές περιστροφής, μπλοκάρισμα του τρυπανιού, ξαφνικό σtop ή βραχυκύκλωμα, δονείται το ηλεκτρικό εργαλείο για 5 δευτερόλεπτα, αναβοσβήνει η ένδειξη φόρτισης και το ηλεκτρικό εργαλείο απενεργοποιείται αυτόματα.

Για μια νέα ενεργοποίηση, αφήνετε ελεύθερο το διακόπτη και στη συνέχεια ενεργοποιείτε εκ νέου.

Κάτω από ακραίες καταπονήσεις θερμαίνεται πάρα πολύ η μπαταρία. Στην περίπτωση αυτή αναβοσβήνουν όλες οι λάμπες της ένδειξης φόρτισης μέχρι να έχει κρυσώσει η μπαταρία. Μετά το σβήσιμ της ένδειξης φόρτισης μπορεί να συνεχιστεί η συνεργασία.

Μεταφορά επαναφορτιζόμενων μπαταριών ιόντων λιθίου

Οι μπαταρίες ιόντων λιθίου υπόκεινται στις απαιτήσεις των νομικών διατάξεων για την μεταφορά επικινδύνων εμπορευμάτων.

Η μεταφορά τέτοιων μπαταριών πρέπει να πραγματοποιείται πηρώντας τους τοπικούς, εθνικούς και διεθνείς κανονισμούς και τις αντίστοιχες διατάξεις.

- Επιτρέπεται η μεταφορά τέτοιων μπαταριών στο δρόμο χωρίς περαιτέρω απαιτήσεις.
- Η εμπορική μεταφορά μπαταριών ιόντων λιθίου από εταιρείες μεταφορών υπόκειται στις απαιτήσεις των νομικών διατάξεων για την μεταφορά επικινδύνων εμπορευμάτων. Οι προετοιμασίες αποστολής και η μεταφορά πραγματοποιούνται αποκλειστικά από ειδικά εκπαιδευμένα πρόσωπα. Η συνολική διαδικασία συνοδεύεται από εξειδικευμένο προσωπικό.

Κατά τη μεταφορά μπαταριών ιόντων λιθίου πρέπει να προσέχετε τα εξής:

- Φροντίστε τα σημεία επαφών να είναι προστατευμένα και μονωμένα ώστε να αποφευχθούν βραχυκυκλώματα.
- Προσέξτε το πακέτο μπαταριών να είναι σταθερό μέσα στη συσκευασία και να μη γλιστρά.

• Η μεταφορά μπαταριών που παρουσιάζουν φθορές ή διαρροές δεν επιτρέπεται.

Για περισσότερες πληροφορίες απευθυνθείτε στην εταιρεία μεταφορών.

ΚΑΘΑΡΙΣΜΟΣ


Διατηρείτε πάντοτε τις σχισμές εξερισμού της μηχανής καθαρές.

ΣΥΝΤΗΡΗΣΗ

Χρησιμοποιείτε μόνο αξεσουάρ Milwaukee και ανταλλακτικά Milwaukee. Εξαρτήματα, που η αλλαγή τους δεν περιγράφεται, αντικαθίστανται σε μια τεχνική υποστήριξη της Milwaukee (βλέπε φυλλάδιο εγγύηση/ διευθύνσεις τεχνικής υποστήριξης).

Σε περίπτωση που το χρειαστείτε μπορείτε να παραγγείτε λεπτομερές σχέδιο της συσκευής αναφέροντας τον τύπο και τον εξαψήφιο αριθμό που βρίσκεται στην πινακίδα τεχνικών χαρακτηριστικών από την εξυπηρέτηση πελατών ή απευθείας από την Techtronic Industries GmbH, διεύθυνση Max-Eyth-Straße 10, 71364 Winnenden, Germany.

ΣΥΜΒΟΛΑ

	Παρακαλώ διαβάστε σχολαστικά τις οδηγίες χρήσης πριν από την έναρξη λειτουργίας.
	ΠΡΟΣΟΧΗ! ΠΡΟΕΙΔΟΠΟΙΗΣΗ! ΚΙΝΔΥΝΟΣ!
	Πριν από κάθε εργασία στη μηχανή αφαιρείτε την ανταλλακτική μπαταρία.
	Στις εργασίες με τη μηχανή φοράτε πάντοτε προστατευτικά γυαλιά.
	Φοράτε προστασία ακοής (ωτοασπίδες)!
	Να φοράτε κατάλληλη μάσκα προστασίας από σκόνη.
	Να φοράτε προστατευτικά γάντια!
	Εξαρτήματα - Δεν περιλαμβάνονται στα υλικά παράδοση, συνιστούμενη προσθήκη από το πρόγραμμα εξαρτημάτων.










Απόβλητα ηλεκτρικών στηλών και ηλεκτρικού και ηλεκτρονικού εξοπλισμού δεν επιτρέπεται να απορρίπτονται μαζί με τα οικιακά απορρίμματα. Απόβλητα ηλεκτρικών στηλών και ηλεκτρικού και ηλεκτρονικού εξοπλισμού πρέπει να συλλέγονται και να απορρίπτονται ξεχωριστά. Πριν την απόρριψη να αφαιρείτε ηλεκτρικές στήλες, συσσωρευτές και λαμπτήρες από τον εξοπλισμό. Ενημερωθείτε από τις τοπικές υπηρεσίες ή από ειδικευμένους εμπόρους σχετικά με κέντρα ανακύκλωσης και συλλογής απορριμμάτων.

Ανάλογα με τους τοπικούς κανονισμούς μπορεί να είναι οι έμποροι λιανικής πώλησης υποχρεωμένοι, να παίρνουν πίσω απόβλητα ηλεκτρικών στηλών και ηλεκτρικού και ηλεκτρονικού εξοπλισμού δωρεάν.

Συμβάλλετε κι εσείς μέσω επαναχρησιμοποίησης και ανακύκλωσης των αποβλήτων των ηλεκτρικών στηλών, και του ηλεκτρικού και ηλεκτρονικού εξοπλισμού σας στη μείωση της ζήτησης πρώτων υλών.

Απόβλητα ηλεκτρικών στηλών (προπαντός ηλεκτρικών στηλών ιόντων λιθίου) και ηλεκτρικού και ηλεκτρονικού εξοπλισμού περιέχουν πολύτιμες, επαναχρησιμοποιήσιμες ύλες που μπορεί να βλάττουν το περιβάλλον και την υγεία σας κατά τη μη περιβαλλοντικά ορθή διάθεσή τους. Πριν την απόρριψη να διαγράφετε δεδομένα προσωπικού χαρακτήρα που πιθανόν να υπάρχουν στα απόβλητα του εξοπλισμού σας.

	Αριθμός στρωφών ρελαντί
	Τάση
	Συνεχές ρεύμα
	Ευρωπαϊκό σήμα πιστότητας
	Βρετανικό σήμα πιστότητας
	Ουκρανικό σήμα πιστότητας
	Ευρασιατικό σήμα πιστότητας

TEKNIK VERİLER	M18 BLDDRC	M18 BLPDR
Modeli	Akü matkap vidası	Vurmalı akü matkap vidası
Üretim numarası	4817 09 01 XXXXX MJJJ	4817 46 01 XXXXX MJJJ
Akü paketi gerilimi	18 V ---	18 V ---
Boşta devir sayısı 1. viteste	0-550 min ⁻¹	0-550 min ⁻¹
Boşta devir sayısı 2. viteste	0-1700 min ⁻¹	0-1700 min ⁻¹
Maksimum darbe sayısı 1. viteste	-	: 0-8250 min ⁻¹
Maksimum darbe sayısı 2. viteste	-	0-25000 min ⁻¹
Tork	60,5 Nm	60,5 Nm
Delme çapı tahta		
yassı freze ağaç matkap ucu dahil	32 mm	32 mm
burgu ağaç matkap ucu dahil	25,4 mm	25,4 mm
delik açma testeresi dahil	51 mm	51 mm
besleme vidalı matkap ucu dahil	1-3/8" (35 mm)	1-3/8" (35 mm)
Delme çapı tuğla ve kireçli kum taşı	-	10 mm
Ağaç vidaları (kilavuz deliksiz)	13 mm	13 mm
Mandren kapasitesi	1,6 – 13 mm	1,6 – 13 mm
Ağırlığı ise EPTA-üretici 01/2014'e göre (2.0 Ah ... 12.0 Ah)	1,5 kg...2,8 kg	1,5...2,8 kg
Çalışma sırasında tavsiye edilen ortam sıcaklığı		-18...+50 °C
Tavsiye edilen akü tipleri		M18B...; M18HB...
Tavsiye edilen şarj aletleri		M12-18...; M1418C6
Gürültü bilgileri: Ölçüm değerleri EN 62841 e göre belirlenmektedir. Aletin, frekansa bağımlı uluslararası ses basıncı seviyesi değerlendirme eğrisi A'ya göre tipik gürültü seviyesi:		
Ses basıncı seviyesi / Tolerans K	79,32 dB(A) / 3 dB(A)	90,66 dB(A) / 3 dB(A)
Akustik kapasite seviyesi / Tolerans K	87,32 dB(A) / 3 dB(A)	98,66 dB(A) / 3 dB(A)
Koruyucu kulaklık kullan!		
Vibrasyon bilgileri: Toplam titreşim değeri (üç yönün vektör toplamı) EN 62841'e göre belirlenmektedir:		
Titreşim emisyon değeri a _h / Tolerans K	-	8,31 m/s ² / 1,5m/s ²
Darbelen beton delme	1,64 m/s ² / 1,5 m/s ²	1,64 m/s ² / 1,5m/s ²
Metal delme		
Vida ile tutturma	1,44 m/s ² / 1,5m/s ²	1,44 m/s ² / 1,5 m/s ²

UYARI!

Bu bilgi formunda belirtilen titreşim ve gürültü düzeyi EN 62841 uyarınca standart bir test yöntemine göre ölçülmüş olup, bir aleti değerliye karşılaştırmak için kullanılabilir. Bir maruz kalma ön değerlendirmesi için de kullanılabilir.

Beyan edilmiş titreşim ve gürültü emisyon değeri aletin ana uygulamalarını temsil eder. Ancak, alet farklı uygulamalar için veya farklı aksesuarlarla kullanılır ya da aletin bakımı yetersiz yapılırsa, titreşim ve gürültü emisyonu farklılık gösterebilir. Bu, toplam çalışma süresi boyunca maruz kalma seviyesini önemli ölçüde artırabilir.

Titreşim ve gürültüye maruz kalma seviyesi tahmininde, aletin kapalı olduğu veya çalıştığı, ancak aslında işini yapmadığı süreler de göz önünde bulundurulmalıdır. Bu, toplam çalışma süresi boyunca maruz kalma seviyesini önemli ölçüde azaltabilir.

Operatörü titreşim ve/veya gürültünün etkilerinden korumak için, aletin ve aksesuarların bakımını yapmak, elleri sıcak tutmak ve çalışma biçimlerini düzenlemek gibi ilave güvenlik önlemleri belirleyin.

UYARI! Bu elektrikli el aletiyle ilgili bütün uyarıları, talimat hükümlerini, gösterimleri ve spesifikasyonları okuyun.

Aşağıda açıklanan talimat hükümlerine uyulmadığı takdirde elektrik çarpmalarına, yangınlara ve/veya ağır yaralanmalara neden olunabilir.

Bütün uyarıları ve talimat hükümlerini ileride kullanmak üzere saklayın.

MATKAP MAKİNELERİ İÇİN GÜVENLİK AÇIKLAMALARI

Tüm işlemler için güvenlik talimatları

Bir işlem gerçekleştirirken kesme aksesuarı veya sabitleyici gızlı kablolar ile temas edebileceğinizden elektrikli aleti yalıtılmış kavrama yüzeylerinden tutun. „Elektrik geçen“ bir kabloya temas eden kesme aksesuarı veya sabitleyici elektrikli aletin metal parçalarının „elektrikle yüklenmesine“ ve yalıtıncı elektrik çarpmasına sebep olabilir.

Tepmeli matkap olarak işleme için koruma cihazı taşıyınız. Gürültü etkisi işleme kaybını etkiler.

Çalışmaya başlamadan önce cihazı öngörülen tutma kulpundan sıkıca tutunuz. Cihaz yüksek bir çıkış torku oluşturmaktadır ve çalışması sırasında cihazı sıkıca tutmazsanız, kontrolünü

kaybederek kendinizi yaralayabilirsiniz.

Uzun matkap uçlarının kullanılmasıyla ilgili güvenlik bilgileri

Asla matkap ucu için belirtilen maksimum devirden daha yüksek devirler kullanmayın. Daha yüksek devirlerde matkap ucu, iş parçasına temas etmeden döndüğünde eğilebilir ve bu da yaralanmalara neden olabilir.

Matkap ucu iş parçasına temas ettiğinde daima düşük bir devirle başlayınız. Daha yüksek devirlerde matkap ucu, iş parçasına temas etmeden döndüğünde eğilebilir ve bu da yaralanmalara neden olabilir.

Daima sadece doğru olan matkap ucunun yönüne doğru basınç uygulayınız ve fazla sıkı bastırmayınız. Matkap uçları bükülebilir ve kırılabilir veya cihazın kontrolünün kaybedilmesine neden olabilirler. Bu da yaralanmalara sebebiyet verebilir.

EK GÜVENLİK VE ÇALIŞMA TALİMATLARI

Koruma teçhizatı kullanın. Makinada çalışırken devamlı surette koruyucu gözlük takın. Koruyucu elbise ve tozlardan korunma maskesi, emniyet eldivenleri ve sağlam a kuyama mukavim ayakkabı giyin. Başlık ve kulaklık tavsiye edilir.

UYARI! Aşırı toz oluşan işlerde yaralanma riskini azaltmak için, kullanma kılavuzuna uygun olarak bir Milwaukee toz emme çözümü kullanmanız tavsiye olunur.

Çalışma sırasında ortaya çkan toz genellikle sağlığa zararlıdır ve bedeninize temas etmemelidir. Uygun bir koruyucu toz maskesi kullanın.

Sağlık tehlikelerine neden olan malzemelerin işlenmesi yasaktır (örn. asbest).

Uca yerleştirilen takımın bloke olması halinde lütfen cihazı hemen kapatın! Uca yerleştirilen takım bloke olduğu sürece cihazı tekrar çalıştırmayın; bu sırada yüksek reaksiyon momentine sahip bir geri tepme meydana gelebilir. Uca yerleştirilen takımın neden bloke olduğuna bakın ve bu durumu güvenlik uyarılarına dikkat ederek gidin.

Olası nedenler şunlar olabilir:

- İşlenen parça içinde takılma
- İşlenen malzemenin delinmesi
- Elektrikli alete aşırı yük binmesi

Ellerinizi çalışmakta olan makinenin içine uzatmayın.

Uca yerleştirilen takım kullanılır sırasında ısınabilir.

UYARI! Yanma tehlikesi

- takım değiştirme sırasında
- aletin yere bırakılması sırasında

Alet çalışır durumda iken talaş ve kırıntıları temizlemeye çalışmayın.

Duvar, tavan ve zeminde delik açarken elektrik kablolarına, gaz ve su borularına dikkat edin.

İşlenen parçayı bir germe tertibatıyla emniyete alın. Emniyete alınmayan iş parçaları ağır yaralanmalar ve hasarlara neden olabilir.

Aletin kendinde bir çalışma yapmadan önce kartuş aküyü çıkarın.

Kullanılmış kartuş aküleri ateşe veya ev çöplerine atmayın.

Milwaukee, kartuş akülerin çevreye zarar vermeyecek biçimde tasfiye edilmesine olanak sağlayan hizmet sunar; lütfen bu konuda yetkili satıcınızdan bilgi alın.

Kartuş aküleri metal parça veya eşyalarla birlikte saklamayın (kısaca devre tehlikesi).

C18 sistemli kartuş aküleri sadece M18 sistemli şarj cihazları ile şarj edin. Başka sistemli aküleri şarj etmeyin.

Aşırı zorlanma veya aşırı ısınma sonucu hasar gören kartuş akülerden batarya sıvısı dışarı akabilir. Batarya sıvısı ile temasa gelen yer hemen bol su ve sabunla yıkayın. Batarya sıvısı gözünüze kaçacak olursa en azından 10 dakika yıkayın ve zaman geçirmeden bir hekime başvurun.

Makine çalıştığı anda ve şalter düşmesikilitli olduğunda uç takmayın, çünkü uç dönme devam edere ve kullanıcıyı yaralayabilir.

Uyarı! Bir kısa devreden kaynaklanan yangın, yaralanma veya ürün hasarları tehlikesini önlemek için aleti, güç paketini veya şarj cihazını asla sıvaların içine daldırmayınız ve cihazların ve pillerin içine sıvı girmesini önleyiniz. Tuzlu su, belirli kimyasallar, ağartıcı madde veya ağartıcı madde içeren ürünler gibi korozif veya iletken sıvalar kısa devreye neden olabilir.

KULLANIM

M18 BLDDRC: Bu akülü delme/vidalama makinesi, şebeke akımına bağlı kalınmadan delme ve vidalama işlerinde çok yönlü olarak kullanılabilir.

M18 BLPDR: Bu akülü elektronik darbelen matkap şebeke akımından bağımsız olarak delme, darbelen delme ve vidalama işlerinde çok yönlü olarak kullanılabilir.

Bu alet sadece belirttiği gibi ve usulüne uygun olarak kullanılabilir.

KALAN RİSKLER

Usulüne uygun kullanım durumunda da bütün kalan riskler ortadan kaldırılamaz. Kullanım sırasında, kullanıcının özellikle dikkat etmesi gerektiği aşağıdaki tehlikeler oluşabilir:

- Titreşimden dolayı oluşan yaralanmalar. Cihazı bunun için öngörülen kulpardan tutun ve çalışma ve maruz kalam sürelerini sınırlandırın.

- Gürültü yükü işleme zararlarına neden olabilir. Kulaklık takın ve maruz kalma süresini sınırlandırın.
- Kir parçacıklarından dolayı oluşan göz yaralanmaları. Daima koruyucu gözlük, sağlam uzun pantolon, eldiven ve sağlam ayakkabılar giyiniz.

Zehirli tozların solunması.

LITYUM İYON PİLLER İÇİN AÇIKLAMALAR

Lityum iyon pillerin kullanılması

Uzun süre kullanım dışı kalmış aküleri kullanmadan önce şarj edin.

50°C üzerindeki sıcaklıklar akünün performansını düşürür. Akünün güneş ışığı veya mekân sıcaklığı altında uzun süre ısınmamasına dikkat edin.

Şarj cihazı ve kartuş aküdeki bağlantı noktalarını temiz tutun.

Akünün ömrünün mükemmel bir şekilde uzun olması için kullanıldıkdan sonra tamamen doldurulması gerekir.

Ömrünün mümkün olduğu kadar uzun olması için akülerin yüklemeye yapıldıktan sonra doldurma cihazından uzaklaştırılması gerekir.

Akünün 30 günden daha fazla depolanması halinde:

Aküyü kuru bir yerde 27 °C altındaki sıcaklıklarda muhafaza edin. Aküyü yüklemeye durumunun takriben % 30 - %50 olarak depolayın. Aküyü her 6 ay yeniden doldurun.

Lityum iyon pillerin aşırı pil şarj koruması

Pek fazla elektrik tüketiminden dolayı, örneğin aşırı fazla devir momentleri, matkapların sıkışması, aniden durma veya kısa devre gibi aküye aşırı yüklenme durumunda elektro cihazı 5 saniye titreşir, yüklemeye göstergesi yanıp söner ve elektro cihaz kendiliğinden durur. Yeniden çalıştırılmak için şalter baskısını serbest bırakın ve bundan sonra tekrar çalıştırın. Akü aşırı yüklenmeden dolayı fazla ısınır. Bu durumda akü soğuyana kadar yüklemeye göstergesinin bütün lambaları yanıp söner. Gösterge lambalarının sönmüşünden sonra tekrar çalışmaya devam edilebilir.

Lityum iyon pillerin taşınması

Lityum iyon piller tehlikeli madde taşımacılığı hakkındaki yasal hükümlere tabidir.

Bu piller, bölgesel, ulusal ve uluslararası yönetmeliklere ve hükümlere uyularak taşınmak zorundadır.

- Tüketiciler bu pilleri herhangi bir özel şart aranmaksızın karayolu-ya taşıyabilirler.
- Lityum iyon pillerin nakliye şirketleri tarafından ticari taşımacılığı için tehlikeli madde taşımacılığının hükümleri geçerlidir. Sevk hazırlığı ve taşıma sadece ilgili eğitimi görmüş personel tarafından gerçekleştirilebilir. Bütün süreç zamanca bir refakatçilik altında gerçekleştirilmek zorundadır.

Pillerin taşınması sırasında aşağıdaki hususlara dikkat edilmesi gerekmektedir:

- Kısa devre oluşmasını önlemek için kontakların korunmuş ve izole edilmiş olmasını sağlayınız.
- Pil paketinin ambalajı içinde kaymamasına dikkat ediniz.
- Hasarlı veya akımı pillerin taşınması yasaktır.

Ayrıca bilgiler için nakliye şirketinize başvurunuz.

TEMİZLEME

Aletin havalandırma aralıklarını daima temiz tutun.

BAKIM

Sadece Milwaukee aksesuarı ve yedek parçası kullanın. Nasıl değiştirileceği açıklanmamış olan yapı parçalarını bir Milwaukee müşteri servisinden değiştirin (Garanti ve servis adresi broşürüne dikkat edin).

Gerektiğinde cihazın ayrıntılı çizimini, güç levhası üzerindeki makine modelini ve altı haneli rakamı belirterek müşteri servisimizden veya doğrudan Techtronic Industries GmbH, Max-Eyth-Straße 10, 71364 Winnenden, Germany adresinden isteyebilirsiniz.

	Lütfen aleti çalıştırmadan önce kullanma kılavuzunu dikkatli biçimde okuyun.
	DIKKAT! UYARI! TEHLİKE!
	Aletin kendinde bir çalışma yapmadan önce kartuş aküyü çıkarın.
	Aletle çalışırken daima koruyucu gözlük kullanın.
	Koruyucu kulaklık kullanın!
	Uygun bir koruyucu toz maskesi kullanın
	Koruyucu eldivenlerinizi takınız!
	Aksesuar - Teslimat kapsamında değildir, önerilen tamamlamalar aksesuar programında.
	Atık pillerin, atık elektrikli ve elektronik eşyaların evsel atıklarla birlikte bertaraf edilmesi yasaktır. Atık piller, atık elektrikli ve elektronik eşyalar ayrılarak biriktirilmeli ve bertaraf edilmelidir. Bertaraf etmeden önce cihazların içindeki atık pilleri, atık akümülatörleri ve lambaları çıkartınız. Yerel makamlara veya satıcınıza geri dönüşüm tesisleri ve atık toplama merkezlerinin yerlerini danışınız. Yerel yönetmeliklere göre perakende satıcılar atık pilleri, atık elektrikli ve elektronik eşyaları ücret talep etmeden geri almak zorunda olabilirler. Atık pillerinizi, atık elektrikli ve elektronik eşyalarınızı tekrar kullanarak ve geri dönüşüme vererek ham madde gereksiniminin az tutulmasına katkıda bulununuz. Atık piller (özellikle lityum iyon piller), atık elektrikli ve elektronik eşyalar, çevreye uygun şekilde bertaraf edilmediklerinde çevre ve sağlığınız üzerinde olumsuz etkilere neden olabilen değerli, tekrar kullanılabilir malzemeler içerirler. Bertaraf etmeden önce atık eşyanız içinde mevcut olabilen şahsınızla ilgili bilgileri siliniz.
n_0	Rölanti
V	Volтаж
	Doğru akım
	Avrupa uyumluluk işareti
	Britanya Uygunluk İşareti
	Ukrayna uyumluluk işareti
001	



Avrasya uyumluluk işareti

TECHNICKÁ DATA

	M18 BLDDRC	M18 BLPDRC
Typ	Aku vrtací šroubovák	Aku příklepové vrtačky/šroubovák
Výrobní číslo	4817 09 01 XXXXXX MJJJJ	4817 46 01 XXXXXX MJJJJ
Napětí bloku baterií	18 V ---	18 V ---
Počet otáček při běhu naprázdno na 1.st.rychlosti	0-550 min ⁻¹	0-550 min ⁻¹
Počet otáček při běhu naprázdno na 2.st.rychlosti	0-1700 min ⁻¹	0-1700 min ⁻¹
Počet úderů při zatížení na 1.st.rychlosti	–	: 0-8250 min ⁻¹
Počet úderů při zatížení na 2.st.rychlosti	–	0-25000 min ⁻¹
Krouticí moment	60,5 Nm	60,5 Nm
Vrtací ø v dřevě		
s plochým vrtákem do dřeva	32 mm	32 mm
se spirálovým vrtákem do dřeva	25,4 mm	25,4 mm
s pilou děrovkou	51 mm	51 mm
se samořezným vrtákem	1-3/8" (35 mm)	1-3/8" (35 mm)
Vrtání ø v cihle a vápenopískové cihle	–	10 mm
Vruty do dřeva (bez předvrtání)	13 mm	13 mm
Rozsah upnutí skličidla	1,6 – 13 mm	1,6 – 13 mm
Hmotnost podle prováděcího předpisu EPTA 01/2014 (2.0 Ah ... 12.0 Ah)	1,5 kg...2,8 kg	1,5...2,8 kg
Doporučená okolní teplota při práci		-18...+50 °C
Doporučené typy akumulátorů		M18B...; M18HB...
Doporučené nabíječky		M12-18...; M1418C6
Informace o hluku:		
Naměřené hodnoty odpovídají EN 62841.		
V třídě A posuzovaná hladina hluku přístroje činí typicky:		
Hladina akustického tlaku / Kolísavost K	79,32 dB(A) / 3 dB(A)	90,66 dB(A) / 3 dB(A)
Hladina akustického výkonu / Kolísavost K	87,32 dB(A) / 3 dB(A)	98,66 dB(A) / 3 dB(A)
Používejte chrániče sluchu!		
Informace o vibracích: Celkové hodnoty vibrací (vektorový součet tří směrů) zjištěné ve smyslu EN 62841.		
Hodnota vibračních emisí a _h / Kolísavost K		
Vrtání betonu s příklepem	–	8,31 m/s ² / 1,5m/s ²
Vrtání kovu	1,64 m/s ² / 1,5 m/s ²	1,64 m/s ² / 1,5m/s ²
Šroubování	1,44 m/s ² / 1,5m/s ²	1,44 m/s ² / 1,5 m/s ²

VAROVÁNÍ!

Hladina vibrací a emisí hluku uvedená v tomto informačním listu byla měřena v souladu se standardizovanou zkouškou uvedenou v normě EN 62841 a může být použita ke srovnání jednoho nástroje s jiným. Může být použita k předběžnému posouzení expozice.

Deklarovaná úroveň vibrací a emisí hluku představuje hlavní použití nástroje. Pokud se však nástroj používá pro různé aplikace, s různým příslušenstvím nebo s nedostatečnou údržbou, mohou se vibrace a emise hluku lišit. To může výrazně zvýšit úroveň expozice v průběhu celé pracovní doby.

Odhad úrovně expozice vibracím a hluku by měl také vzít v úvahu dobu, kdy je nástroj vypnutý nebo když běží, ale ve skutečnosti neprovádí úlohu. To může výrazně snížit úroveň expozice v průběhu celé pracovní doby.

Identifikujte dodatečná bezpečnostní opatření k ochraně pracovníka obsluhy před účinky vibrací a/nebo hluku, například: údržba nástroje a příslušenství, udržování rukou v teple, organizace pracovních schémat.

VAROVÁNÍ! Přečtěte si všechna výstražná upozornění, pokyny, zobrazení a specifikace pro toto elektrické nářadí. Zanedbání při dodržování výstražných upozornění a pokynů uvedených v následujícím textu může mít za následek zásah elektrickým proudem, způsobit požár a/nebo těžké poranění. **Všechna varovná upozornění a pokyny do budoucna uschovejte.**

BEZPEČNOSTNÍ POKYNY PRO PRÁCI S VRTAČKOU**Bezpečnostní pokyny pro všechny operace**

Držte elektrické nářadí za izolované uchopovací plochy při provádění operace, kde se řezné příslušenství nebo upevňovače mohou dostat do kontaktu se skrytým vedením. Řezné příslušenství nebo upevňovače, které se dotýkají „živého“ vedení, mohou vystavené kovové části elektrického nářadí udělat „živými“ a mohou způsobit úraz elektrickým proudem pracovníkovi obsluhy.

Při vrtání s příklepem používejte prostředky k ochraně sluchu. Nadměrný hluk může vést ke ztrátě sluchu.

Před spuštěním držte nástroj pevně v ruce. Tento nástroj vytváří

vysoký krouticí moment a pokud byste během provozu nástroj pevně nedrželi, mohlo by dojít ke ztrátě kontroly nad nástrojem a k poranění.

Bezpečnostní pokyny pro použití dlouhých výměnných nástavců na vrtání

Nikdy nepracujte při vyšších otáčkách, než jsou maximální jmenovité otáčky vrtáku. Při vyšších rychlostech může dojít k ohnutí vrtáku, když by se vrták volně točil a nebyl v kontaktu s obrobkem, což může vést k poranění.

Vždy začněte vrtat při nízkých otáčkách a s hrotem v kontaktu s obrobkem. Při vyšších rychlostech se může vrták prohýbat, když se točí a není v kontaktu s obrobkem, což může vést k poranění.

Tlačte pouze přímo ve směru osy vrtáku a nevyvíjejte přílišný tlak. Vrtáky se mohou ohnout a prasknout, nebo by mohlo dojít ke ztrátě kontroly a k následnému poranění.

DALŠÍ BEZPEČNOSTNÍ A PRACOVNÍ POKYNY

Použijte ochranné vybavení. Při práci s elektrickým nářadím používejte vždy ochranné brýle. Doporučujeme rovněž použití součástí ochranného oděvu a ochranné obuvi, jako protiprašné

masky, ochranných rukavic, pevné a neklouzající obuvi, ochranné přilby a ochrany sluchu.

UPOZORNĚNÍ Aby se snížilo riziko zranění při pracích s výrazným vznikem prachu, doporučujeme vám použít řešení na odsávání prachu od spol. Milwaukee v souladu s návodem k obsluze.

Prach vznikající při práci s tímto nářadím může být zdraví škodlivý. Proto by neměl přijít do styku s tělem. Používejte při práci vhodnou ochranou masku.

Nesmějí se upravovat materiály, které mohou způsobit ohrožení zdraví (např. azbest)

Při zablokování nasazeného nástroje přístroj okamžitě vypněte! Přístroj nezapínajte, pokud je nasazený nástroj zablokovaný; mohl by při tom vzniknout zpětný náraz s vysokým reakčním momentem. Zjistěte příčinu zablokování nasazeného nástroje a odstraňte ji při dodržení bezpečnostních pokynů.

Možnými příčinami mohou být:

- vzpříčení v opracovávaném obrobku
- přelomení opracovávaného materiálu
- přetížení elektrického přístroje

Nezasahujte do běžícího stroje.

Nasazený nástroj se může během používání rozpálit.

VAROVÁNÍ! Nebezpečí popalení.

- při výměně nástroje
- při odkládání přístroje

Pokud stroj běží, nesmí být odstraňovány třísky nebo odštěpky.

Při vrtání do zdi, stropu nebo podlahy dávat pozor na elektrické kabely, plynová a vodovodní potrubí.

Obrobek zabezpečte upínacím zařízením. Nezabezpečené obrobky mohou způsobit těžká poranění a poškození.

Před zahájením veškerých prací na vrtacím šroubováku vyjmout výměnný akumulátor.

Použitě nevyhazujte do domovního odpadu nebo do ohně.

Milwaukee nabízí ekologickou likvidaci starých článků, ptejte se u vašeho obchodníka s nářadím.

Náhradní akumulátor neskladujte s kovovými předměty, nebezpečí zkratů.

Akumulátor systému M18 nabíjejte pouze nabíječkou systému M18. Nenabíjejte akumulátory jiných systémů.

Při extrémní zátěži či vysoké teplotě může z akumulátoru vytékat kapalina. Při zasažení touto kapalinou okamžitě zasažená místa omýjte vodou a mýdlem. Při zasažení očí okamžitě důkladně po dobu alespoň 10min. omývat a neodkladně vyhledat lékaře.

Když stroj běží nebo je tlačítko spínače zablokované, nenasazujte žádný vrták, protože vrták se bude otáčet dál a může tak poranit uživatele.

Varování! Abyste zabránili nebezpečí požáru způsobeného zkratem, poraněním nebo poškozením výrobku, neponožte nářadí, výměnnou baterii nebo nabíječku do kapaliny a zajištěte, aby do zařízení a akumulátoru nevnikly žádné tekutiny. Korodující nebo vodivé kapaliny, jako je slaná voda, určité chemikálie a bělicí prostředky nebo výrobky, které obsahují bělidlo, mohou způsobit zkrat.

OBLAST VYUŽITÍ

M18 BLDDRC: Akumulátorový vrtací šroubovák je univerzálně použitelný pro vrtání a šroubování nezávisle na elektrické síti.

M18 BLPDRC: Akumulátorový příklepový vrtací šroubovák je univerzálně použitelný pro vrtání, příklepové vrtání a šroubování nezávisle na elektrické síti.

Toto zařízení lze používat jen pro uvedený účel.

ZBYTKOVÁ RIZIKA

Ani při řádném používání není možné vyloučit všechna zbývající rizika. Při používání mohou vzniknout níže uvedená rizika, na která by měla obsluha dávat zvlášť pozor:

- Poranění způsobená vibrací.
Přístroj držte pouze za určená držadla a omezte čas práce a

expozice.

- Zatížení hlukem může vést k poškození sluchu.
Noste ochranu sluchu a omezte dobu expozice.
 - Poranění očí způsobená částicemi nečistot.
Noste vždy ochranné brýle, pevné dlouhé kalhoty, rukavice a pevnou obuv.
- Vdechnutí jedovatých druhů prachu.

UPOZORNĚNÍ NA LITHIUM-IONTOVÉ BATERIE

Použití lithium-iontových baterií

Déle nepoužívané akumulátory je nutné před použitím znovu nabít.

Teplota přes 50°C snižuje výkon akumulátoru. Chraňte před dlouhým přehříváním na slunci či u topení.

Kontakty nabíječky a akumulátoru udržujte v čistotě.

Pro optimální životnost je nutné akumulátory po použití plně dobít.

K zabezpečení dlouhé životnosti by se akumulátory měly po nabití vyjmout z nabíječky.

Při skladování akumulátoru po dobu delší než 30 dní: Akumulátor skladujte na suchém místě při teplotě nižší než 27 °C. Skladujte akumulátor při cca 30%-50% nabíjecí kapacitě. Opakujte nabíjení akumulátoru každých 6 měsíců.

Ochrana proti přetížení u lithium-iontových baterií

Při přetížení akumulátoru příliš vysokou spotřebou proudu, například při extrémně vysokém krouticím momentu, při zaseknutí vrtáku, náhlém zastavení nebo zkratů, začne elektrické nářadí po dobu 5 sekund vibrovat, indikátor dobíjení začne blikat a motor se následně samočinně vypne.

K opětnému zapnutí uvolněte a následně opět stiskněte tlačítkový vypínač.

Při extrémním zatížení dochází k příliš vysokému ohřevu akumulátoru. V tomto případě začnou blikat všechny kontroly indikátoru dobíjení a blikají tak dlouho, dokud se akumulátor opět neochladí.

V okamžiku, kdy indikátor dobíjení přestane blikat, je možné v práci opět pokračovat.

Přeprava lithium-iontových baterií

Lithium-iontové baterie spadají podle zákonných ustanovení pod přepravu nebezpečného nákladu.

Přeprava těchto baterií se musí realizovat s dodržováním lokálních, vnitrostátních a mezinárodních předpisů a ustanovení.

- Spotřebitelé mohou tyto baterie bez problémů přepravovat po komunikacích.
- Komerční přeprava lithium-iontových baterií prostřednictvím přepravních firem podléhá ustanovením o přepravě nebezpečného nákladu. Přípravu k vyexpedování a samotnou přepravu smíjí vykonávat jen příslušně vyškolené osoby. Na celý proces se musí odborně dohlížet.

Při přepravě baterií je třeba dodržovat následující:

- Zajistěte, aby kontakty byly chráněné a izolované, aby se zamezilo zkratům.
- Dávejte pozor na to, aby se svazek baterií v rámci balení nemohl sesmeknout.
- Poškozené a vyteklé baterie se nesmějí přepravovat.

Ohledně dalších informací se obraťte na vaši přepravní firmu.

ČIŠTĚNÍ

Větrací štěrbinu nářadí udržujeme stále čisté.

ÚDRŽBA

Používat výhradně příslušenství Milwaukee a náhradní díly Milwaukee. Díly jejichž výměny nebyla popsána, nechte vyměnit v autorizovaném servisu (viz: "Záruky / Seznam servisních míst")

V případě potřeby si můžete v servisním centru pro zákazníky nebo přímo od firmy Techtronic Industries GmbH, Max-Eyth-Straße 10, 71364 Winnenden, Německo vyžádat schematický náčrtek jednotlivých dílů přístroje, když uvedete typ přístroje a šestimístní

číslo na výkonovém štítku.

SYMBOLY

	Před spuštěním stroje si pečlivě pročtěte návod k používání.
	POZOR! VAROVÁNÍ! NEBEZPEČÍ!
	Před zahájením veškerých prací na vrtacím šroubováku vyjmout výměnný akumulátor.
	Při práci se strojem neustále nosit ochranné brýle.
	Používejte chrániče sluchu !
	Používejte při práci vhodnou ochranou masku.
	Používejte ochranné rukavice!
	Příslušenství není součástí dodávky, viz program příslušenství.
	Odpadní baterie a odpadní elektrická a elektronická zařízení se nesmějí likvidovat společně s domovním odpadem. Odpadní baterie a odpadní elektrická a elektronická zařízení je nutné sbírat a likvidovat odděleně. Před likvidací odstraňte ze zařízení odpadní baterie, odpadní akumulátory a osvětlovací prostředky. Informujte se na místních úřadech nebo u vašeho odborného prodejce ohledně recyklačních dvorů a sběrných míst. Podle místních ustanovení mohou maloobchodní prodejci být povinni bezplatně odebrat zpět odpadní baterie a odpadní elektrická a elektronická zařízení. Opětovným použitím a recyklací vašich odpadních baterií a vašich odpadních elektrických a elektronických zařízení přispíváte ke snížování potřeby suroviny. Odpadní baterie (především lithium-iontové baterie), odpadní elektrická a elektronická zařízení obsahují cenné, opětovně použitelné materiály, které při ekologické likvidaci nemohou mít negativní účinky na životní prostředí a vaše zdraví. Před likvidací pokud možno vymažte na vašem odpadním přístroji existující osobní údaje.
n_0	Otáčky při chodu naprázdno
V	Napětí
	Stejnoseměrný proud
	Značka shody v Evropě
	Britská značka shody

	Značka shody na Ukrajině
	Značka shody pro oblast Eurasie

TECHNICKÉ ÚDAJE	M18 BLDDRC	M18 BLPDRC
Typ	Akumulátorová vŕtačka a uťahovačka	Akumulátorová príklepová vŕtačka a uťahovačka
Výrobné číslo	4817 09 01 XXXXXX MJJJJ	4817 46 01 XXXXXX MJJJJ
Napätie bloku batérií	18 V ---	18 V ---
Otáčky naprázdno v 1. prevodovom stupni	0-550 min ⁻¹	0-550 min ⁻¹
Otáčky naprázdno v 2. prevodovom stupni	0-1700 min ⁻¹	0-1700 min ⁻¹
Počet úderov v 1. prevodovom stupni	-	: 0-8250 min ⁻¹
Počet úderov v 2. prevodovom stupni	-	0-25000 min ⁻¹
Točivý moment	60,5 Nm	60,5 Nm
Priemer vrtu do dreva	-	10 mm
s plochým vŕtákom do dreva	32 mm	32 mm
so špirálovým vŕtákom do dreva	25,4 mm	25,4 mm
s pilou dierovkou	51 mm	51 mm
so samorezným vŕtákom	1-3/8" (35 mm)	1-3/8" (35 mm)
Priemer vrtu do tehly a vápencového pieskovca	-	10 mm
Skrutkovanie do dreva (bez predvrtu)	13 mm	13 mm
Upínací rozsah skľúčovadla	1,6 – 13 mm	1,6 – 13 mm
Hmotnosť podľa vykonávacieho predpisu EPTA 01/2014 (2.0 Ah ... 12.0 Ah)	1,5 kg...2,8 kg	1,5...2,8 kg
Odporúčaná okolitá teplota pri práci	-18...+50 °C	
Odporúčané typy akupaku	M18B...; M18HB...	
Odporúčané nabíjačky	M12-18...; M1418C6	
Informácia o hluku: Namerané hodnoty určené v súlade s EN 62841. V triede A posudzovaná hladina hluku prístroja činí typicky: Hladina akustického tlaku / Kolísavosť K Hladina akustického výkonu / Kolísavosť K	79,32 dB(A) / 3 dB(A) 87,32 dB(A) / 3 dB(A)	90,66 dB(A) / 3 dB(A) 98,66 dB(A) / 3 dB(A)
Používajte ochranu sluchu!		
Informácie o vibráciách: Celkové hodnoty vibrácií (vektorový súčet troch smerov) zistené v zmysle EN 62841. Hodnota vibračných emisií a _h / Kolísavosť K Vítanie betónu s príklepom Vítanie kovov Skrutkovanie	- 1,64 m/s ² / 1,5 m/s ² 1,44 m/s ² / 1,5m/s ²	8,31 m/s ² / 1,5m/s ² 1,64 m/s ² / 1,5m/s ² 1,44 m/s ² / 1,5 m/s ²

POZOR!

Úroveň vibrácií a emisií hluku uvedená v tomto informačnom liste bola meraná v súlade so štandardizovanou skúškou uvedenou v EN 62841 a môže sa použiť na porovnanie jedného nástroja s druhým. Môže sa použiť v predbežnom posúdení expozície.

Deklarovaná úroveň vibrácií a emisií hluku predstavuje hlavné aplikácie nástroja. Ak sa však nástroj používa pre rôzne aplikácie, s rôznym príslušenstvom alebo s nedostatočnou údržbou, môžu sa vibrácie a emisie hluku líšiť. To môže výrazne zvýšiť úroveň expozície počas celej pracovnej doby.

Odhad úrovne expozície vibráciám a hluku by mal tiež brať do úvahy čas, keď je nástroj vypnutý alebo keď beží, ale v skutočnosti nevykonáva prácu. To môže výrazne znížiť úroveň expozície počas celej pracovnej doby.

Identifikujte dodatočné bezpečnostné opatrenia na ochranu pracovníka obsluhy pred účinkami vibrácií a/alebo hluku, ako je: údržba nástroja a príslušenstva, udržanie teplej rúk, organizácia pracovných schém.

VAROVANIE! Prečítajte si všetky výstražné upozornenia, pokyny, známenania a špecifikácie pre toto elektrické náradie. Zanedbanie pri dodržiavaní výstražných upozornení a pokynov uvedených v nasledujúcich textoch môže mať za následok zásah elektrickým prúdom, spôsobiť požiar a/alebo ťažké poranenie. **Tieto výstražné upozornenia a bezpečnostné pokyny starostlivo uschovajte na budúce použitie.**

BEZPEČNOSTNÉ POKYNY PRE PRÁCU S VŔTÁČKOU

Bezpečnostné pokyny pre všetky operácie

Držte elektrické náradie za izolované uchopovacie plochy pri vykonávaní operácie, kde sa rezné príslušenstvo alebo upevňovače môžu dostať do kontaktu so skrytým vedením. Rezné príslušenstvo alebo upevňovače, ktoré sa dotýkajú „živého“ vedenia, môžu vystavené kovové časti elektrického náradia urobiť „živými“ a môžu spôsobiť úraz elektrickým prúdom pracovníkovi obsluhy.

Pri vrátaní s príklepom používajte prostriedky k ochrane sluchu. Nadmerný huk môže viesť k strate sluchu.

Pred začiatkom práce podržte prístroj pevne za na to určenú rukoväť. Tento prístroj vytvára vysoký výstupný krútiaci moment a

keď sa počas prevádzky nedrží dobre pevne, mohli by ste stratiť nad ním kontrolu a poraniť sa.

Bezpečnostné pokyny na použitie dlhých výmenných nadstavcov na vírtanie

Nikdy nepoužívajte vyššie otáčky ako maximálne otáčky, ktoré sú uvedené pre vŕtáky. Pri vyšších otáčkach sa môže vŕták ohnúť, keď sa točí k obrobku bez kontaktu, čo môže viesť k zraneniam.

Prístroj vždy spúšťajte s nízkymi otáčkami a počas toho, ako sa vŕták nachádza v kontakte s obrobkom. Pri vyšších otáčkach sa môže vŕták ohnúť, keď sa točí k obrobku bez kontaktu, čo môže viesť k zraneniam.

Tlak vyvíjajte vždy iba v priamom nasmerovaní k vŕtáku a prístroj nepriťahujte príliš pevne. Vŕtáky sa môžu ohnúť a zlomiť alebo môžu viesť k strate kontroly nad prístrojom, čím môže znova dôjsť k zraneniam.

ĎALŠIE BEZPEČNOSTNÉ A PRACOVNÉ POKYNY

Použite ochranné vybavenie. Pri práci s elektrickým náradím používajte vždy ochranné okuliare. Doporučujeme taktiež použitie súčastí ochranného odevu a ochrannej obuvi, ako sú protiprašná

maska, ochranné rukavice, pevná a neklzajúca obuv, ochranná prilba a ochrana sluchu.

VÝSTRAHA Aby sa znížilo riziko zranenia pri prácach s výraznou tvorbou prachu, odporúčame vám použiť riešenie na odsávanie prachu od spol. Milwaukee v súlade s návodom na obsluhu.

Prach vznikajúci pri práci môže byť škodlivý zdraviu. Pri práci nosiť vhodnú ochrannú masku, aby sa nedostal do ľudského organizmu.

Nesmú sa opravovať materiály, ktoré môžu spôsobiť ohrozenie zdravia (napr. azbest)

Pri zablokovaní nasadeného nástroja prístroj okamžite vypnite! Prístroj nezapínajte, pokiaľ je nasadený nástroj zablokovaný; mohol by pri tom vzniknúť spätný náraz s vysokým reakčným momentom. Príčinu zablokovania nasadeného nástroja zistíte a odstránite so zohľadnením bezpečnostných pokynov.

Možnými príčinami môžu byť:

- spriechenenie v opracovanom obrobku
- prelomenie opracovaného materiálu
- preťaženie elektrického prístroja

Nezasahujte do bežiaceho stroja.

Nasadený nástroj sa počas používania môže rozhorčiť.

POZOR! Nebezpečenstvo popálenia

- pri výmene nástroja
- pri odkladaní prístroja

Triesky alebo úlomky sa nesmú odstraňovať za chodu stroja.

Pri práci v stene, strope alebo v podlahe dávajte pozor na elektrické káble, plynové a vodovodné potrubia.

Obrobok zabezpečte upínacím zariadením. Nezabezpečené obrobky môžu spôsobiť ťažké poranenia a poškodenia.

Pred každou prácou na stroji výmenný akumulátor vytiahnuť.

Opotrebovaný výmenný akumulátor nezahadzujte do ohňa alebo medzi domový odpad. Milwaukee ponúka likvidáciu starých výmenných akumulátorov, ktorá je v súlade s ochranou životného prostredia; informujte sa u Vášho predajcu.

Výmenné akumulátory neskladovať spolu s kovovými predmetmi (nebezpečenstvo skratu).

Výmenné akumulátory systému M18 nabíjajú len nabíjacími zariadeniami systému M18. Akumulátory iných systémov týmto zariadením nenabíjajú.

Pri extrémnych záťažach alebo extrémnych teplotách môže dôjsť k vytekaniu batériovej tekutiny z poškodeného výmenného akumulátora. Ak dôjde ku kontaktu pokožky s roztokom, postihnuté miesto umyť vodou a mydlom. Ak sa roztok dostane do očí, okamžite ich dôkladne vypláchnuť po dobu min. 10 min a bezodkladne vyhľadať lekára.

Keď stroj beží alebo je tlačidlo spínača zablokované, nenasadzujte žiadny vŕták, pretože vŕták sa bude otáčať ďalej a môže tým poraniť používateľa.

Varovanie! Aby ste zabránili nebezpečenstvu požiaru spôsobeného skratom, poraneniam alebo poškodeniam výrobku, neponárajte náradie, výmennú batériu alebo nabíjačku do kvapalín a postarajte sa o to, aby do zariadení a akumulátorov nevnikli žiadne tekutiny. Korodujúce alebo vodivé kvapaliny, ako je slaná voda, určité chemikálie a bieliace prostriedky alebo výrobky, ktoré obsahujú bielicidlo, môžu spôsobiť skrat.

POUŽITIE PODĽA PREDPISOV

M18 BLDDRC: AKU-vŕtací skrutkovač je univerzálne použiteľný na vírtanie a skrutkovanie nezávisle od sieťovej prípojky.

M18 BLPDRC: AKU-elektronický príklepový vŕtací skrutkovač je univerzálne použiteľný na vírtanie, príklepové vírtanie a skrutkovanie nezávisle od sieťovej prípojky.

Tento prístroj sa smie používať len v súlade s uvedenými predpismi.

ZVYŠKOVÉ RIZIKÁ

Aj pri riadnom používaní nie je možné vylúčiť všetky zvyškové riziká. Pri používaní môžu vzniknúť nasledovné nebezpečenstvá, na ktoré by mala obsluha dávať zvlášť pozor:

- Poranenia spôsobené vibráciou. Prístroj držte iba za určené držadlá a obmedzte čas práce a expozície.
- Zafaženie hlukom môže viesť k poškodeniam sluchu. Noste ochranu sluchu a obmedzte dobu expozície.
- Poranenia očí spôsobené čiaščkami nečistôt. Noste vždy ochranné okuliare, pevné dlhé nohavice, rukavice a pevnú obuv.

Vdýchnutie jedovatých druhov prachu.

UPOZORNENIE NA LÍTIUM-IONOVÉ BATÉRIE

Použitie lítium-iónových batérií

Dlhší čas nepoužívané akumulátory pred použitím nabiť.

Teplota vyššia ako 50°C znižuje výkon akumulátora. Zabráňte dlhšiemu ohriatiu slnkom alebo kúrením.

Prípadné kontakty na nabíjacom zariadení a výmennom akumulátore udržiavať čisté.

Pre optimálnu životnosť je nutné akumulátory po použití plne dobíť.

K zabezpečeniu dlhej životnosti by sa akumulátory mali po nabívaní vybrať z nabíjačky.

Pri skladovaní akumulátora po dobu dlhšiu než 30 dní: Akumulátor skladujte na suchom mieste pri teplote nižšej ako 27 °C. Skladujte akumulátor pri cca 30%-50% nabíjacej kapacite. Opakujte nabíjanie akumulátora každých 6 mesiacov.

Ochrana proti preťaženiu pri lítium-iónových batériách

Pri preťažení akumulátora príliš vysokou spotrebou prúdu, napríklad pri extrémne vysokom krútiacom momente, pri zaseknutí vŕtaka, náhlom zastavení alebo skrate, začne elektrické náradie po dobu 5 sekúnd vibrovať, indikátor dobíjania začne blikať a motor sa následne samovoľne vypne. K opätovnému zapnutiu uvoľníte a následne opäť stlačíte tlačidlovú vypínač.

Pri extrémnom zaťažení dochádza k príliš vysokému ohrevu akumulátora. V tomto prípade začnú blikať všetky kontroly indikátora dobíjania a blikajú tak dlho, dokiaľ sa akumulátor opäť neochladí.

V okamihu, keď indikátor dobíjania prestane blikať, je možné v práci opäť pokračovať.

Preprava lítium-iónových batérií

Lítiovo-iónové batérie podľa zákonných ustanovení spadajú pod prepravu nebezpečného nákladu.

Preprava týchto batérií sa musí realizovať s dodržiavaním lokálnych, vnútroštátnych a medzinárodných predpisov a ustanovení.

- Spotrebiteľia môžu tieto batérie bez problémov prepravovať po cestách.
- Komerčná preprava lítiovo-iónových batérií prostredníctvom špeciálnych firiem podlieha ustanoveniam o preprave nebezpečného nákladu. Prípravu k vyexpedovaniu a samotnú prepravu smú vykonávať iba adekvátne vyškolené osoby. Na celý proces sa musí odborné dohliadať.

Pri preprave batérií treba dodržiavať nasledovné:

- Zabezpečte, aby boli kontakty chránené a izolované, aby sa zamedzilo skratom.
- Dávajte pozor na to, aby sa zväzok batérií v rámci balenia nemohol zošmyknúť.
- Poškodená a vytečená batérie sa nesmú prepravovať.

Kvôli ďalším informáciám sa obráťte na vašu špeciálnu firmu.

ČISTENIE

Vetracie otvory udržiavať stále v čistote.

ÚDRZBA

Používať len Milwaukee príslušenstvo a Milwaukee náhradné diely. Súčiastky bez návodu na výmenu treba dať vymeniť v jednom z Milwaukee zákaznických centier (viď brožúru Záruka/Adresy zákaznických centier).

V prípade potreby si môžete v servisnom centre pre zákazníkov alebo priamo od firmy Techtronic Industries GmbH, Max-Eyth-Straße 10, 71364 Winnenden, Nemecko, vyžiadať schematický náčrt jednotlivých dielov prístroja pri uvedení typu prístroja a šesťmiestneho čísla na výkonnom štítku.

SYMBOLY

	Pred prvým použitím prístroja si pozorne prečítajte návod na obsluhu.
	POZOR! NEBEZPEČENSTVO!
	Pred každou prácou na stroji výmenný akumulátor vytiahnuť.
	Pri práci so strojom vždy noste ochranné okuliare.
	Používajte ochranu sluchu!
	Pri práci nosiť vhodnú ochrannú masku, aby sa nedostal do ľudského organizmu.
	Používajte ochranné rukavice!
	Príslušenstvo - nie je súčasťou štandardnej výbavy, odporúčané doplnenie z programu príslušenstva.
	<p>Použitie batérie a odpad z elektrických a elektronických zariadení sa nesmie likvidovať spolu s domovým odpadom. Použitie batérie a odpad z elektrických a elektronických zariadení treba zbierať a likvidovať oddelene.</p> <p>Pred likvidáciou odstráňte zo zariadení použité batérie, použité akumulátory a osvetľovacie prostriedky.</p> <p>Informujte sa pri miestnych úradoch alebo u vášho odborného predajcu o hľadanie recyklačných dvorov a zberných miest.</p> <p>Podľa miestnych ustanovení môžu maloobchodní predajcovia byť povinní bezplatne zobrať späť použité batérie a odpad z elektrických a elektronických zariadení.</p> <p>Opätovným použitím a recykláciou vašich použitých batérií a vášho odpadu z elektrických a elektronických zariadení prispievate k zníženiu potreby surovín. Použitie batérie (predovšetkým lítium-iónové batérie), odpad z elektrických a elektronických zariadení obsahuje cenné, opätovne použiteľné materiály, ktoré pri ekologickej likvidácii nemôžu mať negatívne účinky na životné prostredie a vaše zdravie.</p> <p>Pred likvidáciou podľa možnosti vymažte na vašom používanom prístroji existujúce osobné údaje.</p>
n_0	Otáčky pri chode naprázdno
V	Napätie
	Jednosmerný prúd
	Značka zhody v Európe

	Britská značka zhody
	Značka zhody na Ukrajine
	Značka zhody pre oblasť Eurázie

DANE TECHNICZNE	M18 BLDDRC	M18 BLPDRC
Typ	Wiertarka/wkrętarka akumulatorowa	Akumulatorowa wiertarka/wkrętarka udarowa
Numer produkcyjny	4817 09 01 XXXXXX MJJJJ	4817 46 01 XXXXXX MJJJJ
Napięcie zestawu akumulatorów	18 V ---	18 V ---
Prędkość bez obciążenia na pierwszym biegu	0-550 min ⁻¹	0-550 min ⁻¹
Prędkość bez obciążenia na drugim biegu	0-1700 min ⁻¹	0-1700 min ⁻¹
Częstotliwość udaru na pierwszym biegu	–	0-8250 min ⁻¹
Częstotliwość udaru na drugim biegu	–	0-25000 min ⁻¹
Moment obrotowy	60,5 Nm	60,5 Nm
Zdolność wiercenia w drewnie z płaskim bitem ze świdrem	32 mm	32 mm
z piłą walcową	25,4 mm	25,4 mm
z bitem samopodającym	51 mm	51 mm
	1-3/8" (35 mm)	1-3/8" (35 mm)
Zdolność wiercenia w cegła i płytki ceramiczne	–	10 mm
Wkręty do drewna (bez nawiercania wstępnego)	13 mm	13 mm
Zakres otwarcia uchwytu wiertarskiego	1,6 – 13 mm	1,6 – 13 mm
Ciężar wg procedury EPTA 01/2014 (2.0 Ah ... 12.0 Ah)	1,5 kg...2,8 kg	1,5...2,8 kg
Zalecana temperatura otoczenia w trakcie pracy		-18...+50 °C
Zalecane rodzaje akumulatora		M18B...; M18HB...
Zalecane ładowarki		M12-18...; M1418C6

Informacja dotycząca szumów: Zmierzone wartości wyznaczone zgodnie z normą EN 62841.

Poziom szumów urządzenia oszacowany jako A wynosi typowo:

Poziom ciśnienia akustycznego / Niepewność K	79,32 dB(A) / 3 dB(A)	90,66 dB(A) / 3 dB(A)
Poziom mocy akustycznej / Niepewność K	87,32 dB(A) / 3 dB(A)	98,66 dB(A) / 3 dB(A)

Należy używać ochraniaczy uszu!

Informacje dotyczące wibracji: Wartości łączne drgań (suma wektorowa trzech kierunków) wyznaczone zgodnie z normą EN 62841.

Wartość emisji drgań a_{h1} / Niepewność K

Wiercenie udarowe w betonie	–	8,31 m/s ² / 1,5m/s ²
Wiercenie w metalu	1,64 m/s ² / 1,5 m/s ²	1,64 m/s ² / 1,5m/s ²
Przykręcanie	1,44 m/s ² / 1,5m/s ²	1,44 m/s ² / 1,5 m/s ²

OSTRZEŻENIE!

Poziom drgań i emisji hałasu podany w niniejszej instrukcji zmierzono zgodnie ze standardową metodą badania wg EN 62841 i można ją wykorzystać do porównania narzędzia z innym narzędziem. Można go wykorzystać przy wstępnej ocenie narażenia.

Deklarowany poziom emisji drgań i hałasu reprezentuje główne zastosowania narzędzia. Jeśli jednak narzędzie jest używane do różnych zastosowań, z różnymi akcesoriami lub w przypadku nieprawidłowej konserwacji, emisja drgań i hałasu może się różnić. Może to znacznie zwiększyć poziom narażenia w całym okresie eksploatacji narzędzia.

Oszacowanie poziomu narażenia na wibracje i hałas powinno również uwzględnić czasy, kiedy narzędzie jest wyłączone lub kiedy jest włączone, ale nie pracuje. Może to znacznie obniżyć poziom ekspozycji w całym okresie eksploatacji narzędzia.

Należy zidentyfikować dodatkowe środki bezpieczeństwa w celu ochrony operatora przed skutkami wibracji i/lub hałasu, takie jak: utrzymywanie narzędzia i akcesoriów w nienagannym stanie, utrzymywanie ciepła rąk, organizacja pracy.

OSTRZEŻENIE! Należy przeczytać wszystkie wskazówki bezpieczeństwa, instrukcje, opisy i specyfikacje dotyczące tego elektronarzędzia. Zaniedbania w przestrzeganiu poniższych wskazówek mogą spowodować porażenie prądem, pożar i/lub ciężkie obrażenia ciała. **Należy starannie przechowywać wszystkie przepisy i wskazówki bezpieczeństwa dla dalszego zastosowania.**

WSKAZÓWKI BEZPIECZEŃSTWA DLA WIERTAREK

Instrukcje bezpieczeństwa dla wszystkich czynności

Podczas wykonywania czynności trzymać elektronarzędzie za izolowane powierzone uchwytu, ponieważ narzędzia tnące lub elementy mocujące mogą wejść w kontakt z ukrytymi kablami. Wejście narzędzi tnących lub elementów mocujących w kontakt z przewodem będącym pod napięciem może spowodować, że zewnętrzne metalowe części elektronarzędzia znajdą się pod napięciem, stanowiąc dla operatora ryzyko porażenia prądem.

Do wiercenia udarowego należy zakładać ochronniki słuchu. Hałas może powodować utratę słuchu.

Przed rozpoczęciem pracy narzędzie należy chwycić pewnie za odpowiedni uchwyt. Niniejsze narzędzie wytwarza wysoki zdawczy moment obrotowy i w przypadku, gdy użytkownik będzie trzymał je

niepewnie w trakcie pracy, może utracić nad nim kontrolę i doznać obrażeń.

Wskazówki bezpieczeństwa dotyczące stosowania długich wiertel

Nigdy nie należy przekraczać maksymalnej liczby obrotów podanej dla danego wiertła. W przypadku wysokich obrotów może dojść do wygięcia wiertła w momencie jego kontaktu z obrabianym elementem, co może doprowadzić do obrażeń.

Należy zawsze zaczynać od niskich obrotów i pracować na nich w momencie kontaktu wiertła z obrabianym elementem. W przypadku wysokich obrotów może dojść do wygięcia wiertła w momencie jego kontaktu z obrabianym elementem, co może doprowadzić do obrażeń.

Zawsze należy naciskać tylko w bezpośrednim kierunku na wiertło i nie używać przy tym nadmiernej siły. Może dojść do wygięcia i złamania wiertła lub do utraty kontroli nad narzędziem, co może natomiast doprowadzić do obrażeń.

DODATKOWE WSKAZÓWKI BEZPIECZEŃSTWA I INSTRUKCJE ROBOCZE

Stosować wyposażenie ochronne. Przy pracy maszyną zawsze nosić okulary ochronne. Zalecana jest odzież ochronna, jak maska pyłochronna, rękawice ochronne, mocne i chroniące przed poślizgiem obuwie, kask i ochronniki

sluchu.

OSTRZEŻENIE Aby zminimalizować ryzyko obrażeń w trakcie prac, przy których powstaje dużo pyłu, zalecamy korzystać z rozwiązań Milwaukee do odpylania zgodnie z instrukcją obsługi.

Kurz powstający przy pracy z tym elektronarzędziem może być szkodliwy dla zdrowia, w związku z tym nie powinien dotrzeć do ciała. Nosić odpowiednią maskę przeciwpyłową.

Nie wolno obrabiać materiałów, które mogą być przyczyną zagrożenia zdrowia (na przykład azbestu).

W przypadku zablokowania narzędzia nasadzanego należy natychmiast wyłączyć urządzenie! Nie należy ponownie włączyć urządzenia tak długo, jak długo narzędzie nasadzone jest zablokowane; przy tym mogłyby powstać odrzut wrotny o dużym momencie reakcyjnym. Należy wykręcić i usunąć przyczynę zablokowania narzędzia nasadzanego uwzględniając wskazówki dotyczące bezpieczeństwa.

Możliwymi przyczynami tego mogą być:

- Skośne ustawienie się w poddawany obróbce przedmiocie obrabianym
- Przerwanie materiału poddawanego obróbce
- Przeciążenie narzędzia elektrycznego

Nie należy sięgać do wnętrza maszyny będącej w ruchu.

Narzędzie nasadzone może w trakcie użytkowania stać się gorące.

OSTRZEŻENIE! Niebezpieczeństwo oparzenia się

- przy wymianie narzędzia
- przy odstawianiu urządzenia

Podczas pracy elektronarzędzia nie wolno usuwać trocin ani drzazg.

Podczas pracy przy ścianach, sufitach i podłodze należy uważać na kable elektryczne, przewody gazowe i wodociągowe.

Należy zabezpieczyć przedmiot poddawany obróbce za pomocą urządzenia mocującego. Niezabezpieczone przedmioty poddawane obróbce mogą spowodować ciężkie obrażenia ciała i uszkodzenia.

Przed przystąpieniem do jakichkolwiek prac na elektronarzędziu należy wyjąć wkładkę akumulatorową.

Zużytych akumulatorów nie wolno wrzucać do ognia ani traktować jako odpadów domowych. Milwaukee oferuje ekologiczną utylizację zużytych akumulatorów.

Nie przechowywać akumulatorów wraz z przedmiotami metalowymi (niebezpieczeństwo zwarcia).

Akumulatory Systemu M18 należy ładować wyłącznie przy pomocy ładowarek Systemu M18. Nie ładować przy pomocy tych ładowarek akumulatorów innych systemów.

W skrajnych warunkach temperaturowych lub przy bardzo dużym obciążeniu może dochodzić do wycieku kwasu akumulatorowego z uszkodzonych baterii akumulatorowych. W przypadku kontaktu z kwasem akumulatorowym należy natychmiast przemyć miejsce kontaktu wodą z mydłem. W przypadku kontaktu z oczami należy dokładnie przepłukiwać oczy przynajmniej przez 10 minut i zwrócić się natychmiast o pomoc medyczną.

Nie wkładać bitu do narzędzia, gdy narzędzie jest uruchomione, a przełącznik jest zablokowany, bit będzie działał i może zranić użytkownika.

Ostrzeżenie! Aby uniknąć niebezpieczeństwa pożaru, obrażeń lub uszkodzeń produktu na skutek zwarcia, nie wolno zanurzać narzędzia, akumulatora wymiennego ani ładowarki w cieczach i należy zatroszczyć się o to, aby do urządzeń i akumulatorów nie dostały się żadne ciecz. Zwarcie spowodować mogą korodujące lub przewodzące ciecz, takie jak woda morska, określone chemikalia i wybielacze lub produkty zawierające wybielacz.

WARUNKI UŻYTKOWANIA

M18 BLDDRC: Uniwersalna wiertarko-wkrętarka akumulatorowa przeznaczona jest do wiercenia i wkręcania z dala od źródła zasilania sieciowego.

M18 BLPDRC: Elektroniczna akumulatorowa wiertarka udarowa/wkrętarka przeznaczona jest do wiercenia, wiercenia udarowego, a także wkręcania przy pracy z dala od źródła zasilania sieciowego.

Produkt można użytkować wyłącznie zgodnie z jego normalnym przeznaczeniem.

RYZYKA RESZTKOWE

Nawet przy prawidłowym użytkowaniu nie można wykluczyć wszystkich ryzyk rezydualnych. W trakcie użytkowania mogą powstawać poniższe zagrożenia, nawet w przypadku zachowania przez operatora najwyższej troski:

- Obrażenia spowodowane przez wibracje. Urządzenie należy trzymać za przeznaczony w tym celu uchwyt i ograniczać czas pracy i czas ekspozycji.
- Uciążliwość akustyczna może prowadzić do uszkodzeń słuchu. Należy mieć na sobie nauszники i ograniczać czas trwania ekspozycji.
- Obrażenia oczu spowodowane przez cząstki brudu. Należy zawsze mieć na sobie okulary ochronne, solidne długie spodnie, rękawice i solidne buty robocze.

Wdychanie toksycznego pyłu.

WSKAZÓWKI DLA AKUMULATORÓW LITOWO-JONOWYCH

Użytkowanie akumulatorów litowo-jonowych

Akumulatory, które nie były przez dłuższy czas użytkowane, należy przed użyciem naładować.

W temperaturze powyżej 50°C następuje spadek osiągniętych akumulatorowej. Unikać długotrwałego wystawienia na oddziaływanie ciepła lub promieni słonecznych (niebezpieczeństwo przegrzania).

Styki ładowarek i wkładek akumulatorowych należy utrzymywać w czystości

Dla zapewnienia optymalnej żywotności akumulatory po użyciu należy naładować do pełnej pojemności.

Dla zapewnienia możliwie długiej żywotności akumulatory należy wyjąć z ładowarki po ich naładowaniu.

W przypadku składowania akumulatorów dłużej aniżeli 30 dni: Akumulator należy przechowywać w suchym miejscu, w temperaturze poniżej 27°C.

Przechowywać je w stanie naładowanym do ok. 30% - 50%. Ładować je ponownie co 6 miesięcy.

Ochrona przeciwprzeciążeniowa w akumulatorach litowo-jonowych

W przypadku przeciążenia akumulatora przez bardzo duży pobór prądu, na przykład wskutek ekstremalnie dużych momentów obrotowych, zakleszczenia wiertła, nagłego stopu lub zwarcia, narzędzie ręczne z napędem elektrycznym wibruje przez 5 sekund, miga wskaźnik ładowania i narzędzie samoczynnie wyłącza się.

W celu ponownego włączenia narzędzia należy zwolnić przycisk przełączający, a następnie ponownie go włączyć. Przy ekstremalnych obciążeniach akumulator nagrzewa się za mocno. W takim przypadku wszystkie lampki wskaźnika ładowania migają tak długo, aż akumulator ochłodzi się. Po zgaśnięciu wskaźnika ładowania można kontynuować pracę.

Transport akumulatorów litowo-jonowych

Akumulatory litowo-jonowe podlegają ustawowym przepisom dotyczącym transportu towarów niebezpiecznych.

Transport tych akumulatorów winien odbywać się przy przestrzeganiu lokalnych, krajowych i międzynarodowych rozporządzeń i przepisów.

- Odbiorcom nie wolno transportować tych akumulatorów po drogach ot tak po prostu.
- Komercyjny transport akumulatorów litowo-jonowych przez przedsiębiorstwa spedycyjne podlega przepisom dotyczącym transportu towarów niebezpiecznych. Przygotowania do wysyłki oraz transport mogą być wykonywane wyłącznie przez odpowiednio przeszkolone osoby. Cały proces winien odbywać się pod fachowym nadzorem.

W czasie transportu akumulatorów należy przestrzegać następujących punktów:

- Celem uniknięcia zwarcia należy upewnić się, że zestyki są zabezpieczone i zaizolowane.
- Zwracać uwagę na to, aby zespół akumulatorów nie mógł się przemieszczać we wnętrzu opakowania.
- Nie wolno transportować akumulatorów uszkodzonych lub z wyciekającym z elektrolitem.

Odnosnie dalszych wskazówek należy zwrócić się do swojego przedsiębiorstwa spedycyjnego.

CZYSZCZENIE







Otwory wentylacyjne elektronarzędzia muszą być zawsze drożne.

UTRZYMANIE I KONSERWACJA

Używać tylko i wyłącznie wyposażenia dodatkowego Milwaukee i części zamiennych Milwaukee. Gdyby trzeba było wymienić części, które nie zostały opisane, należy skontaktować się z przedstawicielem serwisu Milwaukee (patrz wykaz adresów punktów usługowych/gwarancyjnych).

W razie potrzeby można zamówić rysunek urządzenia w rozłożeniu na części podając typ maszyny oraz sześciorożnicowy numer na tabliczce znamionowej w Punkcie Obsługi Klienta lub bezpośrednio w firmie Techtronics Industries GmbH, Max-Eyth-Straße 10, 71364 Winnenden, Germany.

SYMBOLE

	Przed uruchomieniem elektronarzędzia zapoznać się uważnie z treścią instrukcji.
	UWAGA! OSTRZEŻENIE NIEBEZPIECZEŃSTWO!
	Przed przystąpieniem do jakichkolwiek prac na elektronarzędziu należy wyjąć wkładkę akumulatorową.
	Podczas pracy należy zawsze nosić okulary ochronne.
	Należy używać ochroniaczy uszu!
	Nosić odpowiednią maskę przeciwpyłową.
	Nosić rękawice ochronne!
	Wyposażenie dodatkowe dostępne osobno.
	Zużyte baterie oraz zużyty sprzęt elektryczny i elektroniczny nie może być usuwany razem z odpadami pochodzącymi z gospodarstw domowych. Zużyte baterie oraz zużyty sprzęt elektryczny i elektroniczny należy gromadzić i usuwać oddzielnie. Przed utylizacją należy usunąć z urządzeń zużyte baterie, zużyte akumulatory oraz źródła światła. Proszę zasięgnąć informacji o centrach recyklingowych i punktach zbiorczych u władz lokalnych lub u wyspecjalizowanego dostawcy. W zależności od lokalnych przepisów, sprzedawcy detaliczni mogą być zobowiązani do bezpłatnego odbioru zużytego sprzętu elektrycznego i elektronicznego. Poprzez ponowne wykorzystanie i recykling zużytych baterii oraz zużytego sprzętu elektrycznego i elektronicznego pomagamy zmniejszać zapotrzebowanie na surowce. Zużyte baterie (zwłaszcza baterie litowo-jonowe) oraz zużyty sprzęt elektryczny i elektroniczny zawierają cenne materiały nadające się do recyklingu, które mogą mieć negatywny wpływ na środowisko naturalne i zdrowie użytkownika, jeśli nie zostaną zutylizowane w sposób przyjazny dla środowiska. Przed utylizacją zużytego sprzętu należy usunąć wszelkie zamieszczone na nim dane osobowe.

	Liczba obrotów na biegu jałowym
	Napięcie
	Prąd stały
	Europejski Certyfikat Zgodności
	Brytyjski znak potwierdzający zgodność
	Ukraiński Certyfikat Zgodności
	
	Euroazjatycki Certyfikat Zgodności

MŰSZAKI ADATOK	M18 BLDDRC	M18 BLPDRC
Felépítés	Akkumulátoros fűrész/csavarehajtó	Akkumulátoros ütfűrű/csavarezőgép
Gyártási szám	4817 09 01 XXXXXX MJJJJ	4817 46 01 XXXXXX MJJJJ
Feszültség Akkucsomag	18 V ---	18 V ---
Üresjárat fordulat/szám alatt 1. sebességben	0-550 min ⁻¹	0-550 min ⁻¹
Üresjárat fordulat/szám 2. fokozatban	0-1700 min ⁻¹	0-1700 min ⁻¹
Ütésszám 1. sebességben	–	: 0-8250 min ⁻¹
Ütésszám 2. fokozatban	–	0-25000 min ⁻¹
Forgatónyomaték	60,5 Nm	60,5 Nm
Furat- \emptyset fába	–	10 mm
lapos fafűrűvel	32 mm	32 mm
fa kigyófűrűvel	25,4 mm	25,4 mm
lyukfűrészsel	51 mm	51 mm
önfűrűvel	1-3/8" (35 mm)	1-3/8" (35 mm)
Furat- \emptyset téglába és mészkőbe	–	10 mm
Facsavar (előfűrész nélkül)	13 mm	13 mm
Befogási tartomány	1,6 – 13 mm	1,6 – 13 mm
Súly a 01/2014EPTA-eljárás szerint (2.0 Ah ... 12.0 Ah)	1,5 kg...2,8 kg	1,5...2,8 kg
Ajánlott környezeti hőmérséklet munkavégzésnél	–18...+50 °C	–
Ajánlott akkutípusok	M18B...; M18HB...	–
Ajánlott töltőkészülékek	M12-18...; M1418C6	–
Zajinformáció: A köztölt értékek megfelelnek az EN 62841 szabványnak.		
A készülék munkahelyi zajszintje tipikusan:		
Hangnyomás szint / K bizonytalanság	79,32 dB(A) / 3 dB(A)	90,66 dB(A) / 3 dB(A)
Hangteljesítmény szint / K bizonytalanság	87,32 dB(A) / 3 dB(A)	98,66 dB(A) / 3 dB(A)
Hallásvédő eszköz használata ajánlott!		
Vibráció-információk: Összesített rezgésértékek (három irány vektoriális összege) az EN 62841.-nek megfelelően meghatározva.		
ah rezgésemisszió érték / K bizonytalanság	–	8,31 m/s ² / 1,5m/s ²
Ütfűrész betonban	–	8,31 m/s ² / 1,5m/s ²
Fűrész fémben	1,64 m/s ² / 1,5 m/s ²	1,64 m/s ² / 1,5m/s ²
Csavarozás	1,44 m/s ² / 1,5m/s ²	1,44 m/s ² / 1,5 m/s ²

▲ FIGYELMEZTETÉS!

Az adatponon feltüntetett rezgés- és zajkibocsátási szint mérésére az EN 62841 szabványos vizsgálati módszere alapján került sor, és a kapott értékek az egyes szerszámok összehasonlítására használhatók. Az értékek az expozíció előzetes értékelésében használhatók.

A feltüntetett rezgés- és zajkibocsátási szint a szerszám főbb alkalmazásait tükrözi. Mindazonáltal, ha a szerszámot különböző alkalmazásokra, eltérő tartozékokkal használják, illetve a szerszám nincs megfelelően karbantartva, a rezgés- és zajkibocsátási szint eltérő lehet. Ez jelentősen növelheti az expozíciós szintet a teljes munkafolyamat során.

A rezgésnek és zajnak való expozíció becsült szintjét is figyelembe kell venni a szerszám kikapcsolásakor, illetve olyankor, ha a szerszám üzemel, de valójában nem történik vele munkavégzés. Ez jelentősen csökkentheti az expozíciós szintet a teljes munkafolyamat során.

Határozzon meg további biztonsági intézkedéseket, hogy védje a kezelőt a rezgés- és/vagy zajhatásoktól. Ilyen intézkedések pl.: a szerszámok és tartozékok karbantartása, a kéz melegen tartása, munkarend-szervezés.

▲ FIGYELMEZTETÉS! Olvassa el az elektromos kéziszerszáma vonatkozó összes biztonsági útmutatást, utasítást, ábrát és specifikációt. A következőkben leírt utasítások betartásának elmulasztása áramütésekhez, tűzhöz és/vagy súlyos testi sérülésekhez vezethet.

Kérjük a későbbi használatra gondosan őrizze meg ezeket az előírásokat.

BIZTONSÁGI ÚTMUTATÁSOK FŰRÖGÉPEKHEZ

Biztonsági utasítások minden munkaművelethez

Olyan munkaművelet végzése során a gépi szerszámot a szigetelt megfogó felületnél fogja meg, ahol a vágószerszám vagy a rögzítőelemek rejtett vezetékkel érintkezhetnek. Az áram alatt levő vezetékkel érintkező vágószerszám vagy rögzítőelemek miatt a gépi szerszám látszó fém alkatrészei szintén áram alá kerülhetnek, így a kezelőt villamos áramütés érheti.

Ütfűrűsorok viseljen hallásvédőt. A zaj hatása hallásvestést okozhat.

A munka megkezdése előtt erősen fogja meg a készüléket az e célra kialakított markolatnál. Ez a készülék magas meghúzási nyomatékot hoz létre, és ha használat közben nem tartja erősen a

készüléket, elveszítheti felette a kontrollt és megsérülhet.

Biztonsági útmutatások hosszú fűrűszárak használatához

Soha ne alkalmazzon a fűrűszárhoz megadott maximálisnál magasabb fordulatszámot. Magasabb fordulatszámnál a fűrűszár elgörbülhet, ha úgy forog, hogy közben nem ér hozzá a munkadarabhoz, ami sérülésekhez vezethet.

Mindig alacsony fordulatszámmal kezdjen és úgy, hogy a fűrűszár közben hozzáérjen a munkadarabhoz. Magasabb fordulatszámmal a fűrűszár elgörbülhet, ha úgy forog, hogy közben nem ér hozzá a munkadarabhoz, ami sérülésekhez vezethet.

Mindig a fűrűszár közvetlen irányában gyakoroljon nyomást és ne nyomja túl erősen a készüléket. A fűrűszárak elgörbülhetnek és eltörhetnek, vagy a készülék kontrollálhatatlanná válhat, ami szintén sérüléseket okozhat.

TOVÁBBI BIZTONSÁGI ÉS MUNKAVÉGZÉSI UTASÍTÁSOK

Használjon védőfelszerelést! Ha a gépen dolgozik, mindig hordjon védőszemüveget! Javasoljuk a védőruházat, úgymint porvédő maszk, védőcipő, erős és csúszásbiztos lábbelit, sisak és hallásvédő használatát.

FIGYELMEZTETÉS A jelentős porkepződéssel járó munkavégzés során előforduló sérülésveszély csökkentésére Milwaukee porvédő megoldás használatát javasoljuk a kezelési útmutató előírásai szerint.

A munka során keletkező por gyakran egészségre káros, ezért ne kerüljön a szervezetbe
Hordjon e célra alkalmas porvédőmaszkot.

Nem szabad olyan anyagokat megmunkálni, amelyek egészségre veszélyesek (pl. azbeszitet).

A betétszerszám elakadásakor azonnal ki kell kapcsolni a készüléket! Addig ne kapcsolja vissza a készüléket, amíg a betétszerszám elakadása fennáll; ennek során nagy ellennyomatékú visszarúgás történhet. Határozza és szüntesse meg a betétszerszám elakadásának okát a biztonsági útmutatások betartása mellett.

Ennek következők lehetnek az okai:

- a szerszám elakad a megmunkálandó munkadarabban
- a megmunkálandó anyag átszakadt
- az elektromos szerszám túlterhelése

Ne nyúljon a járó gépbe.

A betétszerszám az alkalmazás során felforrósodhat.

- FIGYELMEZTETÉS!** Egési sérülések veszélye
- szerszámcserék
 - a készülék lerakásakor

A munka közben keletkezett forgácsokat, szilánkokat, törmeléket, stb. csak a készülék teljes leállása után szabad a munkaterületről eltávolítani.

Falban, földben, aljzatban történő fúrásnál fokozottan ügyelni kell az elektromos-, víz- és gázvezetésekre.

Biztosítsa a munkadarabot befogó szerkezettel. A nem biztosított munkadarabok súlyos sérüléseket és károkat okozhatnak.

Karbantartás, javítás, tisztítás, stb. előtt az akkumulátort ki kell venni a készülékből.

A használt akkumulátort ne dobja tűzbe vagy a háztartási szemébe. Tájékozódjon a szakszerű megsemmisítés helyi lehetőségeiről.

Az akkumulátort ne tárolja együtt fém tárgyakkal. (Rövidzárlat veszélye).

Az M18 elnevezésű rendszerhez tartozó akkumulátorokat kizárólag a rendszerhez tartozó töltővel töltsen fel. Ne használjon más rendszerbe tartozó töltőt.

Akkumulátor sav folyhat a sérült akkumulátorból extrém terhelés alatt, vagy extrém hő miatt. Ha az akkumulátor sav a bőrre kerül azonnal mossa meg szappanos vízzel. Szembe kerülés esetén folyóvíz alatt tartsa a szemét minimum 10 percig és azonnal forduljon orvoshoz.

Ne helyezzen be bitet, ha a gép jár és a nyomókapcsoló reteszelve van, mivel a bit továbbforog és ezzel sérülést okozhat a használatok.

Figyelmeztetés! A rövidzárlat általi tűz, sérülések vagy termékkárosodások veszélye elkerülésére ne merítse a szerszámot, a cserélhető akkut vagy a töltőkészüléket folyadékba, és gondoskodjon arról, hogy ne hatoljanak folyadékok a készülékekbe és az akkukba. A korrozív hatású vagy vezetőképes folyadékok, mint pl. a sós víz, bizonyos vegyi anyagok, fehérítők vagy fehérítő tartalmú termékek, rövidzárlatot okozhatnak.

RENDELTESSZERŰ HASZNÁLAT

M18 BLDDRC: Az akkumulátoros fűrű-csavarozó készülék általános használható fűrűszárhoz és csavarozáshoz.

M18 BLPDRC: Az akkumulátoros, elektronikus ütfűrű-csavarozó hálózattól függetlenül általános használható fűrűszárhoz, ütfűrűszárhoz és csavarozáshoz.

A készüléket kizárólag az alábbiakban leírtaknak megfelelően szabad használni.

FENNMARADÓ KOCKÁZATOK

Szabályos használat esetén sem lehet minden fennmaradó kockázatot kizárni. A használat során a következő veszélyek keletkezhetnek, amelyekre a kezelőnek különösen figyelnie kell:

- Vibráció okozta sérülések.
A készüléket az e célra szolgáló markolatoknál fogja meg és korlátozza a munka- és expozíciós időt.
- A zajterhelés halláskárosodást okozhat.
Viseljen hallásvédőt és korlátozza az expozíciós időt.
- Szennyrészecskék által okozott szemsérülések.
Viseljen mindig védőszemüveget, erős hosszú nadrágot, kesztyűt és ellenálló lábbelit.

Mérgező porok belélegzése

LI-ION AKKUKRA VONATKOZÓ ÚTMUTATÁSOK

Li-ion akkuk használata

A hosszabb ideig üzemben kívül lévő akkumulátort használat előtt ismételtelen fel kell tölteni.

50°C feletti hőmérsékletnél csökkenhet az akkumulátor teljesítménye. Kerülni kell a túlzottan meleg helyen vagy napon történő hosszabb idejű tárolást.

A töltő és az akkumulátor csatlakozóit mindig tisztán kell tartani.

Az optimális élettartam érdekében használat után az akkukat teljesen fel kell tölteni.

A lehetőleg hosszú élettartamhoz az akkukat feltöltés után ki kell venni a töltőkészülékből.

Az akku 30 napot meghaladó tárolása esetén:
Az akkumulátort száraz helyen, 27 °C alatti hőmérsékleten tárolja. Az akkut kb. 30-50%-os töltöttségi állapotban kell tárolni.
Az akkut 6 havonta újra fel kell tölteni.

Akku-túlterhelés elleni védelem Li-ion akkunál

Az akku nagyon nagy áramfelhasználása következtében fellépő túlterhelése esetén - pl. rendkívül magas forgatónyomatékok, a fűrű megszorulása, hirtelen leállás vagy rövidzárlat miatt – az elektromos szerszám 5 másodpercen keresztül vibrál, a töltéskijelző villog és az elektromos szerszám magától kikapcsol.
Az újabb bekapcsoláshoz engedje el a nyomókapcsolót, majd kapcsolja be ismét.
Rendkívüli terheléseknél az akku túlságosan felmelegszik. Ebben az esetben a töltéskijelző minden lámpája addig villog, amíg az akku le nem hűl. Ha a töltéskijelző kialszik, utána tovább lehet dolgozni.

Li-ion akkuk szállítása

A lítium-ion akkuk a veszélyes áruk szállítására vonatkozó törvényi rendelkezések hatálya alá tartoznak.

Az ilyen akkuk szállításának a helyi, országos és nemzetközi előírások és rendelkezések betartása mellett kell történnie.

- A fogsztók minden további nélkül szállíthatják az ilyen akkukat közúton.
- A lítium-ion akkuk szállítmányozási vállalatok általi kereskedelmi célú szállítására a veszélyes áruk szállítására vonatkozó rendelkezések érvényesek. A kiszállítás előkészítését és a szállítást kizárólag megfelelő képzettségű személyek végezhetik. A teljes folyamatnak szakmai felügyelet alatt kell történnie.

A következő pontokat kell figyelembe venni akkuk szállításakor:

- Biztosítsa, hogy a rövidzárlatok elkerülése érdekében az érintkezők védve és szigetelve legyenek.
- Ügyeljen arra, hogy az akkucsomag ne tudjon elcsúszni a csomagoláson belül.
- Tilos sérült vagy kifolyt akkukat szállítani.

További útmutatásokért forduljon szállítványozási vállalatához.

TISZTÍTÁS

A készülék szellőzőnyílásait mindig tisztán kell tartani.

KARBANTARTÁS

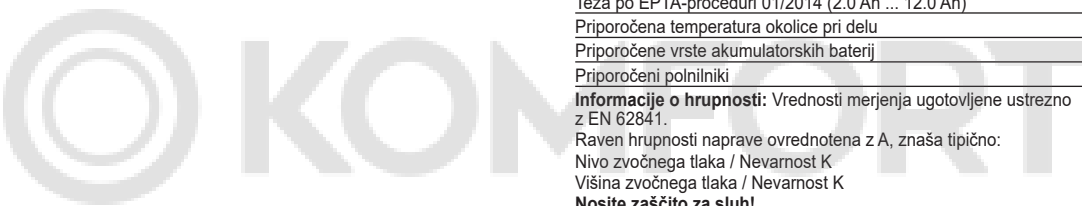
Csak Milwaukee tartozékokat és Milwaukee pótalkatrészeket szabad használni. Az olyan elemeket, melyek cseréje nincs ismertelve, cseréltesse ki Milwaukeek szervizzel (lásd Garancia/Ügyfélszolgálat címei kiadványt).

Igény esetén a készülékről robbantott rajz kérhető a géptípus és a teljesítménycímeként található hatjegyű szám megadásával az Ön vevőszolgálatánál, vagy közvetlenül a Techtronic Industries GmbH-től a Max-Eyth-Straße 10, 71364 Winnenden, Németország címen.

SZIMBÓLUMOK

	Kérjük alaposan olvassa el a tájékoztatót mielőtt a gépet használja.
	FIGYELEM! FIGYELMEZTETÉS! VESZÉLY!
	Karbantartás, javítás, tisztítás, stb. előtt az akkumulátort ki kell venni a készülékből.
	Munkavégzés közben ajánlatos védőszemüveget viselni.
	Hallásvédő eszköz használata ajánlott!
	Hordjon e célra alkalmas porvédőmaszkot.
	Hordjon védőkesztyűt!
	Azokat a tartozékokat, amelyek gyárilag nincsenek a készülékhez mellékelve, külön lehet megrendelni.
	A hulladékelemeket, az elektromos és elektronikus berendezések hulladékait nem szabad a háztartási hulladékkal együtt ártalmatlanítani. A hulladékelemeket, az elektromos és elektronikus berendezések hulladékait elkülönítve kell gyűjteni és ártalmatlanítani. Az ártalmatlanítás előtt távolítsa el a hulladékelemeket, a hulladékkumulátorokat és az izzókat a berendezésekből. A helyi hatóságoknál vagy szakkereskedőjénél tájékozódjon a hulladékudvarokról és gyűjtőhelyekről. A helyi rendelkezésektől függően a kiskereskedők kötelesek lehetnek a hulladékelemeket, az elektromos és elektronikus berendezések hulladékait ingyenesen visszavenni. A hulladékelemek, az elektromos és elektronikus berendezések hulladékainak újrahasználatával és újrahasznosításával járuljon hozzá a nyersanyagszükséglet csökkentéséhez. A hulladékelemek (mindenekelőtt a lítium-ion elemek), az elektromos és elektronikus berendezések hulladékai értékes újrahasznosítható anyagokat tartalmaznak, melyek környezetvédelmi szempontból nem megfelelő ártalmatlanítás esetén negatív hatással lehetnek a környezetre és az Ön egészségére. Ártalmatlanítás előtt törölje a használt készüléken lévő lehetséges személyes adatokat.
n_0	Üresjárati fordulatszám

V	Feszültség
	Egyenáram
	Európai megfelelőségi jelölés
	Brit megfelelőségi jel
	Ukrán megfelelőségi jelölés
	Eurázsiai megfelelőségi jelölés



TEHNIČNI PODATKI	M18 BLDDRC	M18 BLPDRC
Model	Baterijski vrtalniki/vijačniki	Baterijski udarni vrtalniki/vijačniki
Proizvodna številka	4817 09 01 XXXXXX MJJJJ	4817 46 01 XXXXXX MJJJJ
Napetost akumulatorski paket	18 V ---	18 V ---
Številno vrtljajev v prostem teku v 1. prestavi	0-550 min ⁻¹	0-550 min ⁻¹
Številno vrtljajev v prostem teku v 2. prestavi	0-1700 min ⁻¹	0-1700 min ⁻¹
Številno udarcev v 1. prestavi	–	0-8250 min ⁻¹
Številno udarcev v 2. prestavi	–	0-25000 min ⁻¹
Vrtlilni moment	60,5 Nm	60,5 Nm
Vrtlalni ø v lesu		
z ravnim svedrom za les	32 mm	32 mm
s spiralnim svedrom za les	25,4 mm	25,4 mm
z žago za luknje	51 mm	51 mm
s svedrom s samodejnim navijanjem	1-3/8" (35 mm)	1-3/8" (35 mm)
Vrtlalni ø v opeki in apnenem peščencu	–	10 mm
lesni vijaki (brez predhodnega vrtanja)	13 mm	13 mm
Napenjalno področje vpenjalne glave	1,6 – 13 mm	1,6 – 13 mm
Teža po EPTA-proceduri 01/2014 (2.0 Ah ... 12.0 Ah)	1,5 kg...2,8 kg	1,5...2,8 kg
Priporočena temperatura okolice pri delu	-18...+50 °C	
Priporočene vrste akumulatorskih baterij	M18B...; M18HB...	
Priporočeni polnilniki	M12-18...; M1418C6	
Informacije o hrupnosti: Vrednosti merjenja ugotovljene ustrezno z EN 62841.		
Raven hrupnosti naprave ovrednotena z A, znaša tipično:		
Nivo zvočnega tlaka / Nevarnost K	79,32 dB(A) / 3 dB(A)	90,66 dB(A) / 3 dB(A)
Višina zvočnega tlaka / Nevarnost K	87,32 dB(A) / 3 dB(A)	98,66 dB(A) / 3 dB(A)
Nosite zaščito za sluh!		
Informacije o vibracijah: Skupna vibracijska vrednost (Vektorska vsota treh smeri) določena ustrezno EN 62841.		
Vibracijska vrednost emisij a _n / Nevarnost K		
Udamo vrtanje v beton	–	8,31 m/s ² / 1,5m/s ²
Vrtanje v kovine	1,64 m/s ² / 1,5 m/s ²	1,64 m/s ² / 1,5m/s ²
Vijačenje	1,44 m/s ² / 1,5m/s ²	1,44 m/s ² / 1,5 m/s ²

⚠ OPOZORILO!

Raven vibracij in hrupa, navedena v tem informativnem listu, je bila izmerjena v skladu s standardiziranim preskusom iz EN 62841 in jo je mogoče uporabljati za primerjavo orodij med seboj. Mogoče jo je tudi uporabiti za predhodno oceno izpostavljenosti.

Navedena raven vibracij in hrupa predstavlja glavno uporabo orodja. Če pa se orodje uporablja za različne namene, z različnimi dodatki ali slabo vzdrževano, se lahko vibracije in hrup razlikujejo. To lahko znatno poveča raven izpostavljenosti v celotnem delovnem obdobju.

Pri oceni ravni izpostavljenosti vibracijam in hrupu je treba upoštevati tudi čas, ko je orodje izklopljeno ali ko teče, vendar dejansko ne opravlja dela. To lahko bistveno zmanjša raven izpostavljenosti v celotnem delovnem obdobju.

Ugotovite dodatne varnostne ukrepe za zaščito upravljavca pred učinki vibracij in/ali hrupa, kot so: vzdrževanje orodja in dodatkov, tople roke, organizacija delovnih vzorcev.

⚠ OPOZORILO! Preberite vsa varnostna opozorila in navodila, prikaze in specifikacije tega električnega orodja. Zakasnelo upoštevanje sledečih navodil lahko povzroči električni udar, požar in/ali težke poškodbe.
Vsa opozorila in napotila shranite, ker jih boste v prihodnje še potrebovali.

VARNOSTNI NAPOTKI ZA VRTALNI STROJ

Varnostna navodila za vse uporabe

Držite električno orodje za izolirane površine za držanje, če želite izvesti postopek, pri katerem se lahko rezilni pribor ali pritrdilna sredstva dotaknejo skritih vodov. Rezilni pribor ali pritrdilni elementi, ki so v stiku s kablom pod napetostjo, lahko prenesejo napetost na izpostavljene kovinske dele električnega orodja in povzročijo električni udar.

Pri udarnemu vrtanju nosite glušnik. Hrup lahko povzroči izgubo sluha.

Pred uporabo ročaj orodja čvrsto oklenite z roko. To orodje proizvaja visok izhodni navor in če ga med delovanjem ne držite čvrsto, lahko izgubite nadzor in se poškodujete.

Varnostna navodila pri uporabi dolgih svedrov

Nikoli ne uporabljajte višjo hitrostjo od največje hitrosti, ki je določena za sveder. Pri večjih hitrostih se lahko sveder upogne, ko se vrtil brez stika z obdelovancem, kar lahko povzroči poškodbe.

Vedno začnite vrtati z nizko hitrostjo in medtem, ko je sveder v stiku z obdelovancem. Pri večjih hitrostih se lahko sveder upogne, ko se vrtil brez stika z obdelovancem, kar lahko povzroči poškodbe.

Pritisnik usmerite samo v direktni liniji s svedrom in ne pritisnjate premočno. Svedri se lahko upognejo, kar povzroči zlom ali izgubo nadzora ter osebne poškodbe.

NADALJNA VARNOSTNA IN DELOVNA OPOZORIILA

Uporabite zaščitno opremo. Pri delu s strojem vedno nosite zaščitna očala. Priporočajo se zaščitna oblačila, kot npr. maska za zaščito proti prahu, zaščitne rokavice, trdno in neдрсеče obušalo, čelada in zaščita za sluh.

OPOZORILO Da bi zmanjšali nevarnost poškodb pri delu s prevelikim prahom, priporočamo uporabo Milwaukee naprave za odpravo prahu v skladu z navodili za uporabo.

Prah, ki nastaja pri delu, je pogosto zdravju škodljiv in naj ne zaide v telo. Nosite ustrezno masko proti prahu.

Obdelava materialov, iz katerih izhaja ogroženost zdravja (npr. azbest), ni dovoljena.

V primeru blokade orodja napravo takoj izklopite! Naprave ponovno ne vklaplajte dokler je orodje blokirano; pri tem bi lahko prišlo do povratnega udara z velikim reakcijskim momentom. Ugotovite in odpravite vzroke blokade orodja ob upoštevanju varnostnih navodil.

Možni razlogi so lahko:

- Zagozditev v obdelavancu
- prežganje obdelovanega materiala
- Preobremenitev električnega orodja

Ne segajte v stroj v teku.

Orodje lahko med uporabo postane vroče.

OPOZORILO! Nevarnost opeklin

- pri menjavi orodja
- pri odlaganju naprave

Trske ali iveri se pri tekočem stroju ne smejo odstranjevati.

Pri delih na steni, stropu ali v tleh pazite na električne kable, plinske in vodne napeljave.

Obdelovanec zavarujte z vpenjalno pripravo. Nezavarovani obdelovanci lahko povzročijo težke poškodbe in okvare.

Pred vsemi deli na stroji odstranite izmenljivi akumulator.

Izrbljenih izmenljivih akumulatorjev ne mečite v ogenj ali v gospodinjne odpadke. Milwaukee nudi okolju prijazno odlaganje starih izmenljivih akumulatorjev; prosimo povprašajte vašega strokovnega trgovca.

Izmenljivih akumulatorjev ne hranite skupaj s kovinskimi predmeti (nevarnost kratkega stika).

Izmenljive akumulatorje sistema M18 polnite samo s polnilnimi aparati sistema M18. Ne polnite nobenih akumulatorjev iz drugih sistemov.

Pod ekstremno obremenitvijo ali ob ekstremni temperaturi iz poškodovanega izmenljivega akumulatorja lahko izteka akumulatorska tekočina. Po stiku z akumulatorsko tekočino prizadeto mesto takoj izperite z vodo in milom. Po stiku z očmi takoj najmanj 10 minut dolgo temeljito izpirajte in nemudoma obiščite zdravnika.

Ne vstavlajte bitov, ko stroj deluje in je sprožilec stikala zaklenjen, saj se bit še nadalje vrti, kar lahko poškoduje uporabnika.

Opozorilo! V izogib, s kratkim stikom povzročene nevarnosti požara, poškodb ali okvar na proizvodu, orodja, izmenljivega akumulatorja ali polnilne naprave ne potaplajte v tekočine in poskrbite, da ne bo prihajalo do vdora tekočin v napravo in akumulatorje. Korozivne ali prevodne tekočine, kot so slana voda, določene kemikalije in belila ali proizvodi, ki le ta vsebujejo, lahko povzročijo kratek stik.

UPORABA V SKLADU Z NAMEMBOSTJO

M18 BLDDRC: Akumulatorski vrtnik – izvijač je univerzalno uporaben za vrtnje in vijačenje neodvisno od omrežnega priključka.

M18 BLPDRC: Akumulatorski elektronski vrtnik – izvijač je univerzalno uporaben za vrtnje, udarno vrtnje in vijačenje neodvisno od omrežnega priključka.

Ta naprava se sme uporabiti samo v skladu z namembnostjo uporabiti samo za navede namene.

PREOSTALA TVEGANJA

Tudi pri pravilni uporabi vseh pretalih tveganj ni mogoče izključiti. Pri uporabi lahko pride do sledečih nevarnosti, na katere naj bo uporabnik zmeraj pozoren:

- Vsled vibracij povzročene poškodbe. Napravo držite za temu namenu predvidene ročaje in omejite čas dela in izpostavljenosti.
- Obremenitev s hrupom lahko privede do poškodb sluha. Nosite zaščito sluha in omejite dovo izpostavljenosti.
- Vsled delcev nečistoč povzročene poškodbe oči. Nosite zmeraj zaščitna očala, močne dolge hlače, rokavice in močno obutev.

Vdihanje nevarnih prahov.

NAPOTKI ZA LITIJ-IONSKE AKUMULATORJE

Uporaba litij-ionskih akumulatorjev

Akumulatorje, ki jih daljši čas niste uporabljali, pred uporabo naknadno napolnite.

Temperatura nad 50°C zmanjšuje zmogljivost akumulatorja. Izogibajte se daljšemu segrevanju zaradi sončnih žarkov ali grejta.

Pazite, da ostanejo priključni kontakti na polnilnem aparatu in izmenljivem akumulatorju čisti.

za optimalno življenjsko dobo je potrebno akumulatorje po uporabi do konca napolniti.

Za čim daljšo življenjsko dobo naj se akumulatorji po napolnitvi vzamejo ven iz naprave za polnjenje.

Pri skladiščenju akumulatorjev daj kot 30 dni: Akumulator hranite na suhem mestu pri temperaturi pod 27 °C. Akumulator skladiščite pri 30%-50% stanja polnjenja. Akumulator spet napolniti vsakih 6 mesecev.

Preobremenitvena zaščita litij-ionskih akumulatorjev

V primeru preobremenitve akumulatorja zaradi visoke porabe toka, npr. ekstremno visokih vrtilnih momentov, zatika svedra, nenadne zaustavitve ali kratkega stika, električno orodje 5 sekund vibrira, prikazovalnik polnjenja utripa, električno orodje pa se samodejno izklopi.

Za ponoven vklop izpusite pritisno stikalo in nato znova vklopite. Pod ekstremnimi obremenitvami se akumulator premočno segreva. V tem primeru utripajo vse lučke prikazovalnika polnjenja dokler se akumulator ne ohladi. Za tem, ko prikazovalnik polnjenja ugasne lahko z delom nadaljujemo.

Transport litij-ionskih akumulatorjev

Litij-ionski akumulatorji so podvrženi zakonskim določbam transporta nevarnih snovi.

Transport teh akumulatorjev se mora izvajati upoštevajoč lokalne, nacionalne in mednarodne predpise in določbe.

- Potrošniki lahko te akumulatorje še nadalje transportirajo po cesti.
- Komerčni transport litij-ionskih akumulatorjev s strani špediterskih podjetij je podvržen določbam transporta nevarnih snovi. Priprava odpreme in transporta se lahko vrši izključno s strani ustrezno izšolanih oseb. Celoten proces je potrebno strokovno spremljati.

Pri transportu akumulatorjev je potrebno upoštevati sledeče točke:

- V izogib kratkim stikom zagotovite, da bodo kontakti zaščiteni in izolirani.
- Bodite pozorni na to, da paket akumulatorja v notranjosti embalaže ne bo mogel zdrsniti.

- Poškodovanih ali iztekajočih akumulatorjev ni dovoljeno transportirati.

Za nadaljnja navodila se obrnite na vaše špeditersko podjetje.

ČIŠČENJE

Pazite na to, da so prepračevalne reže stroja vedno čiste.

VZDRŽEVANJE

Uporabljajte samo Milwaukee pribor in Milwaukee nadomestne dele. Poskrbite, da sestavne dele, katerih zamenjava ni opisana, zamenjajo v Milwaukee servisni službi (upoštevajte brošuro Garancija aslovi servisnih služb).

Po potrebi je mogoče pri vašem servisnem mestu ali neposredno pri Techtronic Industries GmbH, Max-Eyth-Straße 10, 71364 Winnenden, Germany, naročiti eksplozijsko risbo naprave ob navedbi tipa stroja in na tablici navedene šestmestne številke.

SYMBOLE

	Prosimo, da pred uporabo pozorno preberete to navodilo za uporabo.
	POZOR! OPOZORILO! NEVARNO!
	Pred vsemi deli na stroji odstranite izmenljivi akumulator.
	Pri delu s strojem vedno nosite zaščitna očala.
	Nosite zaščito za sluh!
	Nosite ustrezno masko proti prahu.
	Nositi zaščitne rokavice
	Oprema – ni vsebovana v obsegu dobave, priporočeno dopolnilo iz programa opreme.



Odpadnih baterij, odpadne električne in elektronske opreme ne odstranjujte kot nesortirani komunalni odpadki. Odpadne baterije ter odpadno električno in elektronsko opremo je treba zbirati ločeno.

Odpadne baterije, odpadne akumulatorje in svetlobne vire je treba odstraniti iz opreme.

Za nasvet glede recikliranja in zbirnih mest se obrnite na lokalno oblast ali trgovca.

V skladu z lokalnimi predpisi so lahko trgovci na drobno obvezani, da morajo brezplačno vzeti nazaj odpadne baterije ter odpadno električno in elektronsko opremo.

Vaš prispevek k ponovni uporabi in recikliranju odpadnih baterij ter odpadne električne in elektronske opreme pomaga pri zmanjšanju povpraševanja po surovinah.

Odpadne baterije, še posebej tiste, ki vsebujejo litij, ter odpadna električna in elektronska oprema vsebujejo dragocene materiale, primerne za recikliranje, ki imajo lahko, če niso odstranjeni na okolju prijazen način, škodljive posledice za okolje in zdravje ljudi. Z odpadne opreme izbršite osebne podatke, če obstajajo.

	Številno vrtiljavov prostega teka
	Napetost
	Enosmerni tok
	Evropska oznaka za združljivost
	Britanska oznaka o skladnosti
	Ukrajinska oznaka za združljivost
	Evrazijska oznaka za združljivost

TEHNIČKI PODACI	M18 BLDDRC	M18 BLPDRC
Vrsta izvedbe	Akumulatorski bušaći izvijač Akumulatorska udarna bušilica	
Broj proizvodnje	4817 09 01 XXXXX MJJJJ	4817 46 01 XXXXX MJJJJ
Napon akumulatorskog paketa	18 V ---	18 V ---
Broj okretaja praznog hoda u 1. Brzini	0-550 min ⁻¹	0-550 min ⁻¹
Broj okretaja praznog hoda u 2. Brzini	0-1700 min ⁻¹	0-1700 min ⁻¹
Broj udaraca u 1. Brzini	–	: 0-8250 min ⁻¹
Broj udaraca u 2. Brzini	–	0-25000 min ⁻¹
Okretni moment	60,5 Nm	60,5 Nm
Bušenje-Ø u drvo		
sa svrdlom za plosnato drvo	32 mm	32 mm
sa spiralnim svrdlom za drvo	25,4 mm	25,4 mm
sa pilom bušilicom	51 mm	51 mm
sa krunskim svrdlom	1-3/8" (35 mm)	1-3/8" (35 mm)
Bušenje-Ø u opeku i silikatnu opeku	–	10 mm
Vijci za drvo (bez predbušenja)	13 mm	13 mm
Područje stezne glave za stezanje svrdla	1,6 – 13 mm	1,6 – 13 mm
Težina po EPTA-proceduri 01/2014 (2.0 Ah ... 12.0 Ah)	1,5 kg...2,8 kg	1,5...2,8 kg
Preporučena temperatura okoline kod rada	-18...+50 °C	
Preporučeni tipovi akumulatora	M18B...; M18HB...	
Preporučeni punjači	M12-18...; M1418C6	

Informacije o buci: Mjerne vrijednosti utvrđene odgovarajuće EN 62841.

A-ocijenjeni nivo buke aparata iznosi tipično:

Nivo pritiska zvuka / Nesigurnost K

Nivo učinka zvuka / Nesigurnost K

Nositi zaštitu sluha!

Informacije o vibracijama: Ukupne vrijednosti utvrđene odgovarajuće (Vektor suma tri smjera) su odmjerene odgovarajuće EN 62841.

Vrijednost emisije vibracije a_h / Nesigurnost K

Udarno bušenje u betonu

Bušenje metala

Vijčanje

79,32 dB(A) / 3 dB(A)

87,32 dB(A) / 3 dB(A)

90,66 dB(A) / 3 dB(A)

98,66 dB(A) / 3 dB(A)

8,31 m/s² / 1,5m/s²

1,64 m/s² / 1,5 m/s²

1,44 m/s² / 1,5m/s²

1,64 m/s² / 1,5m/s²

1,44 m/s² / 1,5 m/s²

⚠ UPOZORENIE!

Razine emisije vibracija i buke navedena u ovom informacijskom listu izmjerene su u skladu sa standardiziranim ispitom koji propisuje EN 62841 i mogu se upotrebljavati za međusobnu usporedbu alata. Također se mogu upotrebljavati za prethodnu procjenu izloženosti.

Navedene razine emisija vibracija i buke predstavljaju glavnu svrhu primjene alata. Međutim, ako se alat upotrebljava u druge svrhe, s drugim priborom ili se ne održava dovoljno, emisije vibracija i buke mogu biti raskidne. To može značajno povećati razinu izloženosti tijekom cjelokupna razdoblja rada.

Procjena razine izloženosti vibracijama i buci također bi u obzir trebala uzeti razdoblja tijekom kojih je alat isključen ili kada je uključen, no nje se ne obavlja nikakav rad. Time se značajno može smanjiti razina izloženosti tijekom cjelokupna razdoblja rada.

Utvrđite dodatne sigurnosne mjere kako biste zaštitili rukovatelja od ovih učinaka vibracija i/ili buke, primjerice: održavanje alata i pribora, osiguravanje da ruke budu tople, organizacija obrazaca rada.

⚠ UPOZORENIE! Treba pročitati sve napomene o sigurnosti, upute, prikaze i specifikacije za ovaj električni alat. Propusti kod pridržavanja sljedećih uputa može uzrokovati strujni udar, požar i/ili teške ozljede.

Sačuvajte sve napomene o sigurnosti i upute za buduću primjenu.

SIGURNOSNE UPUTE ZA BUŠILICE

Sigurnosne upute za sve upotrebe

Pri poslovima kod kojih bi rezač ili element za pričvršćivanje mogao dotaknuti uređaj držite za izolirane površine za hvatanje.

Pri kontaktu rezača ili elemenata za pričvršćivanje sa žicama pod naponom, izloženi metalni dijelovi uređaja mogu također doći pod napon, a operator bi mogao doživjeti strujni udar.

Kod uradnog bušenja nosite zaštitu za sluh. Djelovanje buke može uzrokovati gubitak sluha.

Ovaj aparat držite prije početka rada čvrsto na za to predviđenom dršku. Ovaj aparat proizvodi jedan visoki pogonski moment i ako ga za vrijeme pogona ne držite čvrsto, mogli bi izgubiti kontrolu nad njime i povrijediti se.

Sigurnosne upute za uporabu dugih svrdla

Nemojte nikada upotrijebiti veći broj okretaja nego što je maksimalni broj okretaja koji je naveden za umetak bušenja. Kod većih brojeva okretaja se umetak za bušenje može presaviti ako se vrti bez kontakta s izratkom, što može dovesti do povreda.

Startajte uvijek s jednim niskim brojem okretaja i dok se umetak bušenja nalazi u kontaktu s izratkom. Kod većih brojeva okretaja umetak bušenja se može presaviti ako se vrti bez kontakta s izratkom, što može dovesti do povreda.

Stvarajte pritisak uvijek samo kod direktnog usmjeravanja prema umetku bušenja i nemojte pritiskati prejako. Umetci bušenja se mogu presaviti i slomiti ili dovesti do gubitka kontrole nad aparatom, čime opet može doći do povreda.

OSTALE SIGURNOSNE I RADNE UPUTE

Upotrebljavati zaštitnu opremu. Kod radova sa strojem uvijek nositi zaštitne naočale. Preporučuje se zaštitna odjeća, kao zaštitna maska protiv prašine, zaštitne rukavice, čvrste i protiv klizanja sigurne cipele, šljem i zaštitu sluha.

UPOZORENJE Zbog smanjenja rizika povrijeđivanja kod radova sa znatnim razvojem prašine, preporučujemo primjenu jednog

Milwaukee rješenja usisavanja prašine po uputi za posluživanje.

Prašina koja nastaje prilikom rada je često nezdrava i ne bi smjela dospjeti u tijelo. Nositi prikladnu zaštitnu masku protiv prašine.

Ne smiju se obrađivati nikakvi materijali, od kojih prijeti opasnost po zdravlje (npr. azbest).

Kod blokiranja alata koji se upotrebljava uređaj molimo odmah isključiti! Uređaj nemojte ponovno uključiti za vrijeme dok je alat koji se upotrebljava blokiran; time može doći do povratnog udara sa visokim reakcijskim momentom. Pronađite i otklonite uzrok blokiranja alata koji se upotrebljava uz poštivanje sigurnosnih uputa.

Mogući uzroci tome mogu biti:

- Izobličavanje u izratku koji se obrađuje
- Probijanje materijala koji se obrađuje
- Preopterećenje električnog alata

Nemojte sezati u stroj koji radi.

Upotrebjeni alat se može za vrijeme korištenja zagrijati.

UPOZORENIE! Opasnost od opekotina

- kod promjene alata
- kod odlaganja uređaja

Piljevina ili iverje se za vrijeme rada stroja ne smiju odstranjivati.

Kod radova na zidu, stropu ili podu paziti na električne kablove kao i vodove plina i vode.

Osigurajte vaš izradak jednim steznim uređenjem. Neosigurani izradci mogu prouzročiti teške povrede i oštećenja.

Prije svih radova na stroju izvaditi bateriju za zamjenu.

Istrošene baterije za zamjenu ne bacati u vatra ili u kućno smeće. Milwaukee nudi mogućnost uklanjanja starih baterija odgovarajuće okolini. Milwaukee nudi mogućnost uklanjanja starih baterija odgovarajuće okolini; upitajte molimo Vašeg stručnog trgovca.

Baterije za zamjenu ne čuvati skupa sa metalnim predmetima (opasnost od kratkog spoja).

Baterije sistema M18 puniti samo sa uređajem za punjenje sistema M18. Ne puniti baterije iz drugih sistema.

Pod ekstremnim opterećenjem ili ekstremne temperature može iz oštećenih baterija iscuriti baterijska tekućina. Kod dodira sa baterijskom tekućinom odmah isprati sa vodom i sapunom. Kod kontakta sa očima odmah najmanje 10 minuta temeljno ispirati i odmah potražiti liječnika.

Nemojte umetati nikakav Bit kada stroj radi i ako je okidačka sklopka blokirana, jer se Bit i dalje vrti i može ozlijediti korisnika.

Upozorenje! Zbog izbjegavanja opasnosti od požara jednim kratkim spojem, opasnosti od ozljeda ili oštećenja proizvoda, alat, izmjenjivi akumulator ili napravu za punjenje ne uronjavati u tekućine i pobrinite se za to, da u uređaje ili akumulator ne prodiru nikakve tekućine. Korozirajuće ili vodljive tekućine kao slana voda, određene kemikalije i sredstva za bijeljenje ili proozvodi koji sadrže sredstva bijeljenja, mogu prouzročiti kratak spoj.

PROPIŠNA UPOTREBA

M18 BLDDRC: Baterijska bušilica-zavrtač je univerzalno upotrebljiva za bušenje i zavrtnje, neovisno o priključku na mrežu.

M18 BLPDRC: Baterijska elektronska udarna bušilica-zavrtač su upotrebljivi univerzalno za bušenje, udarno bušenje i zavrtnje, neovisno o nekom priključku na mrežu.

Ovaj aparat se smije upotrijebiti samo u određene svrhe kao što je navedeno.

PREOSTALI RIZICI

I kod pravilne uprabe se ne mogu isključiti svi ostaci rizika. Kod uporabe mogu nastati sljedeće opasnosti, na koje poslužioc mora obratiti posebnu pažnju:

- Vibracijama prouzročene ozljede.
- Uređaj držite na za to predviđenim drškama i ograničite radno vrijeme i vrijeme ekspozicije.
- Opterećenje bukom može dovesti do oštećenja sluha.
- Nosite zaštitu sluha i ograničite trajanje ekspozicije.
- Česticama prijavštine prouzročene ozljede očiju.
- Nosite uvijek zaštitne naočale, zatvorene duge hlače, rukavice i

zatvorene cipele.
Udisanje otrovnih prašina.

UPUTE ZA LI-ION-AKUMULATORE

Korištenje Li-Ion-akumulatora

Baterije koje duže vremena nisu korištene, prije upotrebe napuniti.

Temperatura od preko 50°C smanjuje učinak baterija. Duže zagrijavanje od strane sunca ili grijanja izbjeci.

Priključne kontakte na uređaju za punjenje i baterijama držati čistima.

Za optimalni vijek trajanja se akumulatori poslije upotrebe moraju sasvim napuniti.

Za što moguće duži vijek trajanja, akumulatori se nakon punjenja moraju odstraniti iz punjača.

Kod skladištenja akumulatora duže od 30 dana: Akumulator skladištiti na jednom suhom mjestu na temperaturi ispod 27 °C.

Akumulator skladištiti kod ca. 30%-50% stanja punjenja. Akumulator ponovno napuniti svakih 6 mjeseci.

Zaštita od preopterećenja akumulatora kod Li-Ion-akumulatora

Kod preopterećenja akumulatora kroz vrlo visoku potrošnju struje, npr. ekstremno visoki zakretni momenti, naglim zaustavljanjem ili kratkim spojem, električni alat vibrira za vrijeme od 5 sekundi, pokazivač punjenja treperi i električni alat se samostalno isključuje. Za ponovno uključivanje ispušiti okidač sklopke i zatim ponovno uključiti. Pod ekstremnim opterećenjima se akumulator prejako zagrije. U tome slučaju trepere sve lampice pokazivača punjenja, sve dok se akumulator ne ohladi. Poslije gašenja pokazivača punjenja se može nastaviti sa radom.

Transport Li-Ion-akumulatora

Litijske-ionske baterije spadaju pod zakonske odredbe u svezi transporta opasne robe.

Prijevoz ovih baterija mora uslijediti uz poštivanje lokalnih, nacionalnih i internacionalnih propisa i odredaba.

- Korisnici mogu bez ustručavanja ove baterije transportirati po cestama.
- Komercijalni transport litijsko-ionskih baterija od strane transportnih poduzeća spada pod odredbe o transportu opasne robe. Otpremničke pripreme i transport smiju izvoditi isključivo odgovarajuće školovane osobe. Kompletni proces se mora pratiti na stručan način.

Kod transporta baterija se moraju poštivati sljedeće točke:

- Uvjerite se da su kontakti zaštićeni i izolirani kako bi se izbjegli kratki spojevi.
- Pazite na to, da blok baterija unutar pakiranja ne može proklizavati.
- Oštećene ili iscurjele baterije se ne smiju transportirati.

U svezi ostalih uputa obratite se vašem prijevoznom poduzeću.

ČIŠĆENJE

Proreze za prozračivanje stroja uvijek držati čistima.

ODRŽAVANJE

Primijeniti samo Milwaukee opremu i Milwaukee rezervne dijelove. Sastavne dijelove, čija zamjena nije opisana, dati zamijeniti kod jedne od Milwaukee servisnih službi (poštivati brošuru Garancija/ Adrese servisa).

Po potrebi se crtež pojedinih dijelova aparata uz navođenje podatka o tipu stroja i šestznamenastog broja na pločici snage može zatražiti kod vašeg servisa ili direktno kod Techtronic Industries GmbH, Max-Eyth-Straße 10, 71364 Winnenden, Njemačka.

	Molimo da pažljivo pročitate uputu o upotrebi prije puštanja u rad.
	PAŽNJA! UPOZORENIE! OPASNOST!
	Prije svih radova na stroju izvaditi bateriju za zamjenu.
	Kod radova na stroju uvijek nositi zaštitne naočale.
	Nositi zaštitu sluha!
	Nositi prikladnu zaštitnu masku protiv prašine.
	Nositi zaštitne rukavice!
	Oprema - u opsegu isporuke nije sadržana, preporučena dopuna iz promgrama opreme.
	Stare baterije, električni i elektronički uređaji se ne smiju zbrinjavati skupa sa kućnim smećem. Stare baterije, električni i elektronički uređaji se moraju odvojeno skupljati i zbrinuti. Prije zbrinjavanja odstranite stare baterije, stare akumulatore i rasvjetna sredstva iz uređaja. Raspitajte se kod mjesnih vlasti ili kod Vašeg stručnog trgovca o mjestima recikliranja i mjestima skupljanja. Zavisno o mjesnim odredbama stručni trgovci mogu biti obvezatni, stare baterije, i električne i elektroničke stare uređaje besplatno uzeti nazad. Doprinesite kroz ponovnu primjenu i recikliranje Vaših starih baterija, električnih i elektronskih uređajatom, da se potreba za sirovinama smanji. Stare baterije (prije svega litij-ionske baterije, električne i elektronske stare uređaje sadrže dragocjene, ponovno uporabljive materijale, koje bi kod zbrinjavanja protivno očuvanju okoline mogli imati negativne posljedice za okolinu i Vaše zdravlje. Prije zbrinjavanja izbršite postojeće podatke koji se odnose na osobu, koji se po mogućnosti nalaze na Vašem starom uređaju.
n_0	Broj okretaja u praznom hodu
V	Napon
	Istosmjerna struja
	Europski znak suglasnosti
	Britanski znak suglasnosti
	Ukrajinski znak suglasnosti
001	



Euroazijski znak suglasnosti

TEHNIŠKIE DATI

	M18 BLDDRC	M18 BLPDRC
Konstrukcija	Akumulatoras urbis	Akumulatora sitamais urbis
Izlaides numurs	4817 09 01 XXXXXX MJJJJ	4817 46 01 XXXXXX MJJJJ
Akumulatoru komplekta spriegums	18 V ---	18 V ---
Apgriezieni tukšgaitā ar slodzi 1. ātrumā	0-550 min ⁻¹	0-550 min ⁻¹
Apgriezieni tukšgaitā ar slodzi 2. ātrumā	0-1700 min ⁻¹	0-1700 min ⁻¹
Sitienu biežums 1. ātrumā	–	: 0-8250 min ⁻¹
Sitienu biežums 2. ātrumā	–	0-25000 min ⁻¹
Griezes moments	60,5 Nm	60,5 Nm
Urbšanas diametrs kokā ar plakanu uzgali	32 mm	32 mm
ar gliemežurbja uzgali	25,4 mm	25,4 mm
ar caurumu zāģi	51 mm	51 mm
ar padeves uzgali	1-3/8" (35 mm)	1-3/8" (35 mm)
Urbšanas diametrs kļeģelos un kaļksmilšakmenī	–	10 mm
Koka skrūves (bez iepriekšējas urbšanas)	13 mm	13 mm
Urbja stiprinājuma amplitūda	1,6 – 13 mm	1,6 – 13 mm
Svars atbilstoši EPTA -Procedure 01/2014 (2.0 Ah ... 12.0 Ah)	1,5 kg...2,8 kg	1,5...2,8 kg
Leteicamā vides temperatūra darba laikā		-18...+50 °C
Leteicamie akumulatoru tipi		M18B...; M18HB...
Leteicamās uzlādes ierīces		M12-18...; M1418C6

Trokšņu informācija:

Vērtības, kas noteiktas saskaņā ar EN 62841.

A novērtētās aparatūras skaņas līmenis ir:

Trokšņa spiediena līmenis / Nedrošība K

Trokšņa jaudas līmenis / Nedrošība K

Nēsāt trokšņa slāpētāju!

Vibrāciju informācija: Svārstību kopējā vērtība (Trīs virzienu vektoru summa) tiek noteikta atbilstoši EN 62841.

Svārstību emisijas vērtība a_n / Nedrošība K

Betona elektriskais urbis

Metāla urbis

Skrūvēšana

79,32 dB(A) / 3 dB(A)

87,32 dB(A) / 3 dB(A)

90,66 dB(A) / 3 dB(A)

98,66 dB(A) / 3 dB(A)

–

1,64 m/s² / 1,5 m/s²1,44 m/s² / 1,5 m/s²8,31 m/s² / 1,5 m/s²1,64 m/s² / 1,5 m/s²1,44 m/s² / 1,5 m/s²

UZMANĪBU!

Vibrācijas un trokšņa emisijas līmenis šajā informācijas lapā ir izmērīts saskaņā ar EN 62841 standarta testa metodi un var tikt izmantots, lai salīdzinātu vienu ierīci ar otru. Tās var tikt izmantotas ietekmes sākotnējai izvērtēšanai.

Norādītais vibrācijas un trokšņa emisijas līmenis attēlo ierīces galvenos izmantošanas veidus. Tomēr, ja ierīce tiek izmantota citiem mērķiem, ar citu papildaprīkojumu vai nēpareizi apkalpota, vibrācijas un trokšņa emisija var atšķirties. Tas var ievērojami paaugstināt ietekmes līmeni visā darba laikā.

Novērtējot vibrācijas un trokšņa ietekmes līmeni, vajadzētu ņemt vērā arī laiku, kad ierīce ir izslēgta vai ieslēgta, taču netiek lietota. Tas var ievērojami samazināt ietekmes līmeni visā darba laikā.

Lai aizsargātu operatoru no vibrācijas un/vai trokšņa, veiciet papildu drošības pasākumus, piemēram, veiciet apkopi ierīcei un papildaprīkojumam, uzturiet rokas siltas, organizējiet darba grafiku.

BRĪDINĀJUMS Izlasiet visus šim elektroinstrumentam pievienotos drošības brīdinājumus, instrukcijas, ilustrācijas un specifiskācijas. Nespēja ievērot visas zemāk uzskaitītās instrukcijas var novest pie elektrošoka, ugunsgrēka un/vai smagiem savainojumiem.

Pēc izlasīšanas uzglabājiet šos noteikumus turpmākai izmantošanai.

DROŠĪBAS NOSACĪJUMI LIETOJOT URBJMAŠĪNAS

Darba drošības noteikumi

Darba laikā satveriet tikai instrumenta izolētās virsmas, jo grieznis vai stiprinājumi var saskarties ar neredzamiem elektriskajiem vadiem. Ja grieznis vai stiprinājumi saskaras ar vadu, pa kuru plūst elektriskā strāva, tad zem sprieguma var būt arī instrumenta kailās metāla daļas un instrumenta lietotājs var saņemt elektriskās strāvas triecienu.

Lietojiet dzirdes aizsargu, izmantojot āmururbi. Trokšņa iedarbība var izraisīt dzirdes zudumu.

Pirms darbu sākšanas droši novietojiet ierīci šim nolūkam paredzētajā rokturī. Šī ierīce rada augstu griezes momentu, un ja

lietošanas laikā tā nav pareizi nostiprināta, iespējams zaudēt kontroli pār to.

Drošības norādes garu urbja uzgaļu izmantošanai

Nekad neizmantojiet augstāku apgriezīgu skaitu par maksimālo, kas norādīts konkrētajam urbim. Ja apgriezīgu skaits ir lielāks, urbis var saliekties, ja griežas bez saķeres ar sagatavi, kā rezultātā var rasties savainojumi.

Urbšanu vienmēr sāciet ar zemāku apgriezīgu skaitu un vienmēr tikai tad, kad urbis jau ir saskāries ar sagatavi. Ja apgriezīgu skaits ir lielāks, urbis var saliekties, ja griežas bez saķeres ar sagatavi, kā rezultātā var rasties savainojumi.

Izdariet spiedienu tikai tiešā līnijā ar urbi un nespiediet pārāk stipri. Urbis var saliekties un salūzt vai radīt kontroles zudumu pār ierīci, kā rezultātā pastāv savainojumu rašanās risks.

CITAS DROŠĪBAS UN DARBA INSTRUKCIJAS

Jāizmanto aizsargaprīkojums. Strādājot ar mašīnu, vienmēr jānēsā aizsargbrilles. Ieteicams nēsāt aizsargapģērbu, kā piemēram, aizsargmasku, aizsargcimdus, kurpes no stingra un neslīdīga materiāla, ķiveri un ausu aizsargus.

BRĪDINĀJUMS Lai samazinātu savainošanās risku, veicot darbus ar ievērojamo putekļu attīstīšanos, iesakām izmantot Milwaukee putekļu nosūkšanas risinājumu atbilstīgi lietošanas pamācībai.

Putekļi, kas rodas darba gaitā, bieži ir kaitīgi veselībai un tiem nevajadzētu nokļūt organismā. Jānēsā piemērota maska, kas pasargā no putekļiem.

Nedrīkst apstrādāt materiālus, kas rada draudus veselībai (piemēram, azbestu).

Ja izmantojamais darba rīks tiek bloķēts, nekavējoties izslēgt ierīci! Neieslēdziet ierīci, kamēr izmantojamais darba rīks ir bloķēts; var rasties atslēgšanās ar augstu griezes momentu. Noslēdzot ierīci un novērsiet izmantojamā darba rīka bloķēšanas iemeslu, ievērojot visas drošības norādes.

Iespējamie iemesli:

- iesprūdis apstrādājamajā materiālā
- apstrādājamais materiāls ir caurists
- elektroinstrumenti ir pārslogoti

Leslēgtai ierīcei nepieskarieties.

Izmantojamais darba rīks darba gaitā var stipri sakarst.

UZMANĪBU! Bīstamība apdedzināties

- veicot darba rīka nomaiņu
- noliekot iekārtu

Skaidas un atlūzas nedrīkst ņemt ārā, kamēr mašīna darbojas.

Veicot darbus sienā, griestu un grīdas apvidū, vajag uzmanīties, lai nesabojātu elektriskos, gāzes un ūdens vadus.

Fiksējiet apstrādājamo materiālu ar fiksācijas aprīkojumu. Nenostiprināti materiāli var izraisīt smagus savainojumus un bojājumus.

Pirms mašīnai veikt jebkāda veida apkopes darbus, ir jāizņem ārā akumulators.

Izmantotos akumulārus nedrīkst mest ugunī vai parastajos atkritumos. Firma Milwaukee piedāvā iespēju vecos akumulatorus savākt apkārtējo vidi saudzējošā veidā; jautājiet specializētā veikalā.

Akumulatorus nav ieteicams glabāt kopā ar metāla priekšmetiem (iespējams ieslēgums).

M18 sistēmas akumulatorus lādēt tikai ar M18 sistēmas lādētājiem. Nedrīkst lādēt citus akumulatorus no citām sistēmām.

Pie ārkārtas slodzes un ārkārtas temperatūrām no bojātā akumulatora var izteciēt akumulatora šķidrums. Ja nonākat saskarsmē ar akumulatora šķidrumu, saskarsmes vieta nekavējoties jānomazgā ar ūdeni un ziepēm. Ja šķidrums nonācis acīs, acis vismaz 10 min. skalot un nekavējoties konsultēties ar ārstu.

Neievietojiet uzgali instrumentā, kad tas tiek darbināts un slēdzis nav nobloķēts. Instrumenti darbinās uzgali, kas var savainot lietotāju.

Brīdinājums! Lai novērstu īssavienojuma izraisītu aizdegšanās, savainojumu vai produkta bojājuma risku, neiegremdējiet instrumentu, maināmo akumulatoru vai uzlādes ierīci šķidrums un rūpējieties par to, lai ierīcēs un akumulatoros neiekļūtu šķidrums. Koroziju izraisoši vai vadītspējīgi šķidrums, piemēram, sālsūdens, noteiktas ķīmikālijas, balinātāji vai produkti, kas satur balinātājus, var izraisīt īssavienojumu.

NOTEIKUMIEM ATBILSTOŠS IZMANTOJUMS

M18 BLDDRC: Skrūvgrieznis - Urbjmašīna ar akumulatoriem ir universāli izmantojama urbšanai, urbšanai ar perforāciju un skrūvēšanai neatkarīgi no tīkla pieslēguma.

M18 BLPDR: Elektroniskā triecienuurbjmašīna ar akumulatoriem ir universāli izmantojama urbšanai, urbšanai ar perforāciju un skrūvēšanai neatkarīgi no tīkla pieslēguma.

Šo instrumentu drīkst izmantot tikai saskaņā ar minētajiem lietošanas noteikumiem.

CITI RISKI

Arī, pareizi lietojot ierīci, nav iespējams izslēgt pilnīgi visus riskus. Lietojot ierīci, var rasties šāds apdraudējums, kam lietotājam jāpievērš īpaša uzmanība:

- Vibrācijas radītas traumas.
- Turiet ierīci aiz tam paredzētajiem rokturiem un ierobežojiet darba

un ekspozīcijas laiku.

- Troksnis var bojāt dzirdi.
- Lietojiet dzirdes aizsargierīces un ierobežojiet ekspozīcijas laiku.
- Netrūmu daļiņas var traumēt acis.
- Vienmēr valkājiet aizsargbrilles, stingras, garas bikses, cimds un stingrus apavus.

Indīgu putekļu ieelpošana.

NORĀDĪJUMI LITĪJA JONU AKUMULATORIEM

Litija jonu akumulatoru lietošana

Akumulātori, kas ilgāku laiku nav izmantoti, pirms lietošanas jāuzlādē.

Pie temperatūras, kas pārsniedz 50°C, akumulatoru darbība tiek negatīvi ietekmēta. Vajag izvairīties no ilgākas saules un karstuma iedarbības.

Lādētāja un akumulatoru pievienojuma kontakti jāuztur tīri.

Lai baterijas darba ilgums būtu optimāls, pēc iekārtas izmantošanas tā jāuzlādē.

Lai akumulatori kalpotu pēc iespējas ilgāku laiku, tos pēc uzlādes ieteicams atvienot no lādētāj ierīces.

Akumulatora uzglabāšana ilgāk kā 30 dienas: Akumulatoru uzglabāt sausā vietā zem 27 °C. Uzglabāt akumulatoru uzlādes stāvoklī aptuveni pie 30%-50%. Uzlādēt akumulatoru visus 6 mēnešus no jauna.

Litija jonu akumulatoru aizsardzība pret pārslodzi

Akumulatoru pārslogojuma gadījumos, esot ļoti liela elektroenerģijas patēriņam, piem., ārkārtīgi augsts griezes moments, urbja iekēršanās, pēkšņa apstāšanās vai īssavienojums, elektriskais darbarīks 5 sekundes vibrē, uzlādes indikators mirgo, un elektriskais darbarīks pats izslēdzas. Lai to atkal ieslēgtu, atlaižiet ieslēgšanas pogu un tad to ieslēdziet no jauna.

Esot ārkārtīgi augstam noslogojumam, akumulators sakarst pārāk daudz. Šādā gadījumā visas uzlādes indikatora lampiņas mirgo tik ilgi, kamēr akumulators ir atdzisis. Darbu varat turpināt, kad uzlādes indikators vairs nedeg.

Litija jonu akumulatoru transportēšana

Uz litija jonu akumulatoriem attiecas noteikumi par bīstamo kravu pārvadāšanu.

Šo akumulatoru transportēšana jāveic saskaņā ar vietējiem, valsts un starptautiskajiem normatīvajiem aktiem un noteikumiem.

- Patērētāja darbības, pārvadājot šos akumulatorus pa autoceļiem, nav reglamentētas.
- Uz litija jonu akumulatoru komerciālu transportēšanu, ko veic ekspedīcijas uzņēmums, attiecas bīstamo kravu pārvadāšanas noteikumi. Sagatavošanas darbus un transportēšanu drīkst veikt tikai atbilstoši apmācīts personāls. Viss process jāveda profesionāli.

Veicot akumulatoru transportēšanu, jāievēro:

- Pārliedcinieties, ka kontakti ir aizsargāti un izolēti, lai izvairītos no īssavienojumiem.
- Pārliedcinieties, ka akumulators iepakojumā nevar paslīdēt.
- Bojātus vai tekošus akumulatorus nedrīkst transportēt.

Plašāku informāciju Jūs varat saņemt no ekspedīcijas uzņēmuma.

TĪRĪŠANA

Vajag vienmēr uzmanīties, lai būtu tīras dzesēšanas atveres.

APKOPE

Izmantojiet tikai firmu Milwaukee piederumus un firmas Milwaukee rezerves daļas. Lieciet nomaiņīt detaļas, kuru nomaiņa nav aprakstīta, kādā no firmu Milwaukee klientu apkalpošanas servisiem. (Skat. brošūru „Garantija/klientu apkalpošanas serviss”.)

Pēc pieprasījuma, Jūsu Klientu apkalpošanas centrā vai pie Technotronic Industries GmbH, Max-Eyth-Straße 10,

71364 Winnenden, Vācijā, ir iespējams saņemt iekārtas montāžas rasējumu, iepriekš norādot iekārtas modeli un sērijas numuru, kas atrodas uz datu plāksnītes un sastāv no sešiem simboliem.

SIMBOLI

	Pirms sākt lietot instrumentu, lūdzu, izlasiet lietošanas pamācību.
	UZMANĪBU! BĪSTAMI!
	Pirms mašīnai veikt jebkāda veida apkopes darbus, ir jāizņem ārā akumulators.
	Strādājot ar mašīnu, vienmēr jānēsā aizsargbrilles.
	Nēsāt trokšņa slāpētāju!
	Jānēsā piemērota maska, kas pasargā no putekļiem.
	Jāvācā aizsargcimdi!
	Piederumi - standartaprīkojumā neietvertās, bet ieteicamās papildus komplektācijas detaļas no piederumu programmas.
	Neutilizējiet bateriju atkritumus, elektrisko un elektronisko iekārtu atkritumus kā nešķirotus sadzīves atkritumus. Bateriju atkritumi un elektrisko un elektronisko iekārtu atkritumi ir jāsavāc atsevišķi. Bateriju atkritumi, akumulatoru atkritumi un gaismas avotu atkritumi ir jānonēra no iekārtas. Sazinieties ar vietējo iestādi vai mazumtirgotāju, lai iegūtu padomus par atreizejo pārstrādi un savākšanas punktu. Atkarībā no vietējiem noteikumiem, mazumtirgotājiem var būt pienākums bez maksas pieņemt atpakaļ bateriju atkritumus un elektrisko un elektronisko iekārtu atkritumus. Jūsu ieguldījums bateriju atkritumu un elektrisko un elektronisko iekārtu atkritumu atkārtotā izmantošanā un otrreizējā pārstrādē palīdz samazināt pieprasījumu pēc izejvielām. Bateriju atkritumus, īpaši tajos, kas satur litiju, un elektrisko un elektronisko iekārtu atkritumus ir vērtīgi, otrreiz pārstrādājami materiāli, kas var negatīvi ietekmēt vidi un cilvēku veselību, ja tie netiek utilizēti vīdē draudzīgā veidā. No iekārtu atkritumiem izdzēsiet personāla datus, ja tādi ir.
n_0	Tukšgaitas apgriezienu skaits
v	Spriegums
	Līdzstrāva
	Eiropas atbilstības zīme

	Apvienotās Karalistes atbilstības zīme
	Ukrainas atbilstības zīme
	Eirāzijas atbilstības zīme

TECHNINIAI DUOMENYS	M18 BLDDRC	M18 BLPDRC
Konstruktija	Gręžtuvas-atsuktuvas su akumuliatoriumi Smūginis atsuktuvas / grąžtas su akumuliatoriumi	
Produkto numeris	4817 09 01 XXXXXX MJJJJ	4817 46 01 XXXXXX MJJJJ
Akumulatorius	18 V ---	18 V ---
Sūkių skaičius laisva eiga 1. pavara	0-550 min ⁻¹	0-550 min ⁻¹
Sūkių skaičius laisva eiga 2. pavara	0-1700 min ⁻¹	0-1700 min ⁻¹
Smūgių skaičius 1. pavara	-	: 0-8250 min ⁻¹
Smūgių skaičius 2. pavara	-	0-25000 min ⁻¹
Sukimo momentas	60,5 Nm	60,5 Nm
Gręžimo ø medienoje su plokščiu antgaliu	32 mm	32 mm
su sraiginiu antgaliu su angos pjūkle	25,4 mm	25,4 mm
su autonominiu tiekimo antgaliu	51 mm	51 mm
Gręžimo ø galvutė degtose ir silikatinėse plytose	1-3/8" (35 mm)	1-3/8" (35 mm)
Medvaržčiai (be išankstinio gręžimo)	13 mm	13 mm
Gražto patrono veržimo diapazonas	1,6 – 13 mm	1,6 – 13 mm
Prietaiso svoris įvertintas pagal EPTA 2014/01 tyrimų metodiką (2.0 Ah ... 12.0 Ah)	1,5 kg...2,8 kg	1,5...2,8 kg
Rekomenduojama aplinkos temperatūra dirbant	-18...+50 °C	
Rekomenduojami akumuliatorių tipai	M18B...; M18HB...	
Rekomenduojami įkrovikliai	M12-18...; M1418C6	
Informacija apie keliamą triukšmą: Vertės matuotos pagal EN 62841. Įvertintas A įrenginio keliamo triukšmo lygis dažniausiai sudaro: Garso slėgio lygis / Paklaida K	79,32 dB(A) / 3 dB(A) 87,32 dB(A) / 3 dB(A)	90,66 dB(A) / 3 dB(A) 98,66 dB(A) / 3 dB(A)
Nešioti klausos apsauginės priemonės! Informacija apie vibraciją: Bendroji svyravimų reikšmė (trijų krypčių vektorių suma), nustatyta remiantis EN 62841. Vibravimų emisijos reikšmė a _v / Paklaida K	-	8,31 m/s ² / 1,5m/s ²
Betono perforavimas		
Metalo gręžimas	1,64 m/s ² / 1,5 m/s ²	1,64 m/s ² / 1,5m/s ²
Prisukimas varžtais	1,44 m/s ² / 1,5m/s ²	1,44 m/s ² / 1,5 m/s ²

⚠ DĖMESIO!

Šiame vadove nurodytos bendrosios vibracijos ir triukšmo emisijos vertės nustatytos pagal standartinius bandymo metodus pagal EN 62841, todėl gali būti taikomos lyginant vieną įrankį su kitu. Gali būti naudojama preliminariumi poveikio įvertinimui.

Nurodytos bendrosios vibracijos ir triukšmo emisijos vertės atitinka įrankio taikymą. Jei įrankis naudojamas kitokiais tikslais, kartu su kitokiais priedais ar netinkamai prižiūrimas, bendrosios vibracijos ir triukšmo emisijos vertės gali skirtis. Tai gali žymiai padidinti poveikio lygį viso darbo metu.

Apskaičiuojant bendrosios vibracijos ir triukšmo emisijos vertes reikėtų atsižvelgti į laikotarpį, kai prietaisas yra išjungtas arba įjungtas, bet nėra naudojamas. Tai gali žymiai sumažinti poveikio lygį viso darbo metu.

Tam, kad naudotojas būtų apsaugotas nuo vibracijos ir (arba) triukšmo poveikio, reikia nustatyti papildomus saugos reikalavimus, pavyzdžiui: tinkamai prižiūrėti prietaisą ir jo priedus, laikyti rankas šiltais, organizuoti darbo modelius.

⚠ WARNING Perskaitykite visus saugumo įspėjimus, instrukcijas, peržiūrėkite iliustracijas ir specifikacijas, pateiktas kartu su šiuo įrankiu. Jei nepaisysite visų toliau pateiktų instrukcijų, gali trenkti elektros smūgis, kilti gaisras ir/arba galite sunkiai susižaloti arba sužaloti kitus asmenis. **Išsaugokite šias saugos nuorodas ir reikalavimus, kad ir ateityje galėtumėte jais pasinaudoti.**

GRAŽTAMS SKIRTI SAUGUMO NURODYMAI

Bendrosios visų darbų saugos instrukcijos

Atlikdami darbus, kurių metu pjovimo priedas ar jungiamosios detalės gali prisiliesti prie laidų, elektrinį įrankį laikykite už izoliuotų suėmimo paviršių. Pjovimo priedai ar jungiamosios detalės prisilietus prie laido, kuriuo teka elektros srovė, neižoliuotos metalinės elektrinio įrankio dalys gali nutrenkti operatorių.

Dirbdami su smūginiu grąžtu, visuomet naudokite apsaugines ausų priemones. Dėl didelio triukšmo poveikio gali būti pažeidžiama klausos.

Prieš pradėdami dirbti tvirtai suimkite prietaisą už tam skirtos

rankenos. Šis prietaisas veikia labai dideliu išėjimo sukimo momentu ir jei dirbami prietaiso nelaikysite tvirtai, Jums nepavyks jo sulaukyti, todėl kyla pavojus susižaloti.

Saugos nurodymai ilgiam grąžtam

Niekada nenustatykite didesnio nei didžiausio galimo sūkių skaičiaus, kuris yra nurodytas ant įstatomojo grąžo. Didesniu sūkių skaičiumi veikiantis įstatomasis grąžtas gali sulinkti, kai sukdamas neličia ruošinio, todėl kyla pavojus susižaloti.

Nedidelį sūkių skaičių nustatykite pradžioje ir tuomet, kai įstatomasis grąžtas liečiasi prie ruošinio. Didesniu sūkių skaičiumi veikiantis įstatomasis grąžtas gali sulinkti, kai sukdamas neličia ruošinio, todėl kyla pavojus susižaloti.

Visada spauskite tik tiesiogiai įstatomojo grąžo kryptimi ir niekada nespauskite per stipriai. Įstatomieji grąžtai gali sulinkti ir nulūžti arba galinė nesuvaldyti prietaiso ir taip pat susižaloti.

KITI SAUGUMO IR DARBO NURODYMAI

Dėvėkite apsaugines priemones. Dirbdami su mašina visada užsidėkite apsauginius akinius. Rekomenduotina dėvėti apsaugines priemones: apsaugos nuo dulkių respiratorius, apsaugines

pirštines, kietus batus neslidžiais padais, šalną ir klausos apsaugos priemones.

ĮSPĖJIMAS Kad sumažintumėte sužeidimų riziką atliekant darbus, kurių metu susidaro labai daug dulkių, mes rekomenduojame naudoti „Milwaukee“ dulkių sugėrimo sistemą, kaip nurodyta naudojimo instrukcijoje.

Darbo metu susidarančios dulkės yra dažnai kenksmingos sveikatai ir todėl turėtų neparankėti į organizmą. Dėvėti tinkamą apsauginę kaukę nuo dulkių.

Negalima apdirbti medžiagų, dėl kurių galimi sveikatos pažeidimai (pvz., asbesto).

Blokuojant įstatomąjį įrankį būtina išjungti prietaisą! Neįjunkite prietaiso, kol įstatomasis įrankis yra užblokuotas; galimas grįžtamasis smūgis su dideliu sukimo momentu. Atsižvelgdami į saugumo nurodymus, nustatykite ir pašalinkite įstatomojo įrankio blokadimo priežastį.

Galimos priežastys:

- Susidariusios apdirbimo ruošinio briaunos
- Apdirbamos medžiagos pratrūkimas
- Elektros įrankio perkrova

Nekiškite rankų į veikiančią mašiną.

Naudojamas įstatomasis įrankis gali įkaisti.

DĖMESIO! Pavojus nusideginti

- keičiant įrankį
- padedant prietaisą

Draudžiama išiminti drožles ar nuopjovas, įrenginiui veikiant.

Dirbdami sienoje, lubose arba grindyse, atkreipkite dėmesį į elektros laidus, dujų ir vandens vamzdžius.

Ruošinį užfiksuokite įtempimo įrenginiu. Neužfiksuoti ruošiniai gali sunkiai sužaloti ir būti pažeidimų priežastimi.

Prieš atlikdami bet kokius darbus įrenginyje, išimkite keičiamą akumuliatorių.

Sunaudotų keičiamų akumuliatorių nedeginkite ir nemeskite į buitines atliekas. „Milwaukee“ siūlo tausojančią aplinką sudėvėtų keičiamų akumuliatorių tvarkymą, apie tai prekybos atstovo.

Keičiamų akumuliatorių nelaikykite kartu su metaliniais daiktais (trumpojo jungimo pavojus).

Keičiamus M18 sistemos akumuliatorius kraukite tik „C18“ sistemos įkrovikliais. Nekraukite kitų sistemų akumuliatorių.

Ekstremalių apkrovų arba ekstremalios temperatūros poveikyje iš keičiamų akumuliatorių gali išstėkti akumuliatorių skystis. Išsitempus akumuliatorių skystiui, tuoj pat nuplaukite vandeniu su muilu. Patekus į akis, tuoj pat ne trumpiau kaip 10 minučių gausiai skalaukite vandeniu ir tuoj pat kreipkitės į gydytoją.

Nekiškite antgalio į įrankį, kai įrankis veikia, o jungiklis nustatytas į užrakavimo padėtį, antgalis gali imti veikti ir sužeisti naudotoją.

Įspėjimas! Siekdami išvengti trumpojo jungimo sukeliama gaisro pavojaus, sužalojimų arba ekstremalios temperatūros poveikio, keičiamo akumuliatoriaus arba įkroviklio į skystis ir pasirūpinkite, kad į prietaisus arba akumuliatorius nepatektų jokių skystčių. Korozija sukeliantys arba laidūs skystčiai, pvz., sūrus vanduo, tam tikri chemikalai ir balikliai arba produktai, kurių sudėtyje yra baliklių, gali sukelti trumpąjį jungimą.

NAUDOJIMAS PAGAL PASKIRTĮ

M18 BLDDRC: Akumuliatorinį suktuvą-gręžtuvą galima universaliai naudoti gręžimui ir sukimui nepriklausomai nuo elektros tinklo.

M18 BLPDRC: Akumuliatorinį smūginį suktuvą-gręžtuvą galima universaliai naudoti gręžimui, smūginiam gręžimui ir sukimui nepriklausomai nuo elektros tinklo.

Šį prietaisą leidžiama naudoti tik pagal nurodytą paskirtį.

LIKUTINĖ RIZIKA

Net ir tinkamai naudojant įrenginį neįmanoma apsisaugoti nuo visų liekamųjų rizikų. Naudojant įrenginį gali kilti šie pavojai, į kuriuos naudotojui ypač svarbu atkreipti dėmesį:

- Vibracijos sukeliama sužalojimai.

Įrenginį laikykite už tam skirtų rankenų ir apribokite darbo bei ekspozicijos trukmę.

- Dėl triukšmo gali būti pažeista klausos. Naudokite klausos organų apsaugos priemones ir apribokite ekspozicijos trukmę.
- Nešvarumų dalelių sukeliama akių sužalojimai. Visuomet būkite su apsauginiais akiniais, mūvėkite tvirtas ilgas kelnes, pirštines ir avėkite tvirtus apsauginius batus.

Nuodingų dulkių įkvėpimas.

NURODYMAI DĖL LIČIO JONŲ AKUMULIATORIAUS

Ličio jonų akumuliatoriaus naudojimas

Ilgesnį laiką nenaudotus akumuliatorius prieš naudojimą įkraukite.

Aukštesnė nei 50°C temperatūra mažina akumuliatorių galią. Venkite ilgesnio saulės ar šilumos šaltinių poveikio.

Įkroviklio ir keičiamo akumuliatoriaus jungiamieji kontaktai visada turi būti švarūs.

Kad prietaisas kuo ilgiau veiktų, pasinaudoję juo, iki galo įkraukite akumuliatorių.

Siekiant užtikrinti kuo ilgesnį baterijos tarnavimo laiką, reikėtų ją po atlikto įkrovimo iškart išimti iš įkroviklio.

Bateriją laikant ilgiau nei 30 dienų, būtina atkreipti dėmesį į šias nuorodas:

Akumuliatorių laikykite sausoje vietoje, žemesnėje nei 27 °C temperatūroje.

Baterijos įkrovimo lygis turi būti nuo 30% iki 50%.

Baterija pakartotinai turi būti įkraunama kas 6 mėnesius.

Ličio jonų akumuliatoriaus apsauga nuo perkrovos

Esant akumuliatoriaus perkrovai dėl pernelyg didelio srovės suvartojimo, pvz.: itin didelių apskų, gręžtovo užsikirtimo, staigaus sustabdymo ar trumpojo jungimo, elektrinis įrankis vibruoja 5 sekundes, signalinis įkrovos rodmuo pradeda mirksėti ir elektrinis įrankis automatiškai išsijungia.

Norint įrankį pakartotinai įjungti, reikia atleisti jungiklį ir vėl jį įjungti. Esant ekstremalioms apkrovoms akumuliatoriaus per stipriai įkaista. Tokiu atveju visos įkrovos lemputės mirksi taip ilgai, kol akumuliatorius atvėsta. Užgesus įkrovos rodmėnims įrankiu galima naudotis toliau.

Ličio jonų akumuliatoriaus transportavimas

Ličio jonų akumuliatoriams taikomos įstatyminės nuostatos dėl pavojingų krovinių pervežimų.

Šiuos akumuliatorius pervežti būtina laikantis vietinių, nacionalinių ir tarptautinių direktyvų ir nuostatų.

- Naudotojai šiuos akumuliatorius gali naudoti savo transporte be jokių kitų sąlygų.
- Už komercinį ličio jonų akumuliatorių pervežimą atsako ekspedicijos įmonė pagal nuostatas dėl pavojingų krovinių pervežimo. Pasiruošimo išsiųsti ir pervežimo darbus gali atlikti tik atitinkamai išmokyti asmenys. Visas procesas privalo būti prižiūrimas.

Pervežant akumuliatorius būtina laikytis šių punktų:

- Siekiant išvengti trumpųjų jungimų, įsitinkinkite, kad kontaktai yra apsaugoti ir izoliuoti.
 - Atkreipkite dėmesį, kad akumuliatorius pakuotės viduje neslidinėtų.
 - Draudžiama pervežti pažeistus arba tekančius akumuliatorius.
- Dėl detalesnių nurodymų kreipkitės į savo ekspedicijos įmonę.

VALYMAS

Įrenginio vėdinimo angos visada turi būti švarios.

TECHNINIS APTARNAVIMAS

Naudokite tik „Milwaukee“ priedus ir „Milwaukee“ atsargines dalis. Dalis, kurių keitimas neprašytas, leidžiama keisti tik „Milwaukee“ klientų aptarnavimo skyrimis (žr. garantiją/klientų aptarnavimo skyrių adresus brošiūroje).

Esant poreikiui, nurodžius mašinos modelį ir šešiaženklį numerį, esantį ant specifikacijų lentelės, klientų aptarnavimo centre arba tiesiogiai „Techtronic Industries GmbH“, Max-Eyth-Str. 10, 71364 Winnenden, Vokietija, galite užsakyti išplėstinį prietaiso brėžinį.

SIMBOLIAI

	Prieš pradėdami dirbti su prietaisu, atidžiai perskaitykite jo naudojimo instrukciją.
	DĖMESIO! ĮSPĖJIMAS! PAVOJUS!
	Prieš atlikdami bet kokius darbus įrenginyje, išimkite keičiamą akumuliatorių.
	Dirbdami su įrenginiu visada nešiokite apsauginius akinius.
	Nešioti klausos apsaugines priemones!
	Dėvėti tinkamą apsauginę kaukę nuo dulkių.
	Lietojiet aizsardzības cimdus!
	Priedas – neįeina į tiekimo komplektaciją, rekomenduojamas papildymas iš priedų asortimento.
	Neišmeskite baterijų atliekų, elektros ir elektroninės įrangos atliekų kaip nerūšiuotų komunalinių atliekų. Baterijų ir elektros bei elektroninės įrangos atliekos turi būti surenkamos atskirai. Iš įrangos turi būti pašalintos baterijų, akumuliatorių atliekos ir šviesos šaltiniai. Patarimų dėl perdirbimo ir surinkimo vietos kreipkitės į vietinę instituciją arba parduotuvę. Priklausomai nuo vietos teisės aktų, mažmenininkai gali būti įpareigoti nemokamai priimti atgal senas baterijas, seną elektros ir elektronikos įrangą. Jūsų indėlis į pakartotinį baterijų ir elektros bei elektroninės įrangos atliekose yra vertingų, perdirbamų medžiagų, kurios gali neigiamai paveikti aplinką ir žmonių sveikatą, jei jos nebus šalinamos aplinką tausojančiu būdu. Ištrinkite personalo duomenis iš įrangos atliekų, jei tokių yra.
n_0	Sūkių skaičius tuščiąja eiga
v	Įtampa
	Nuolatinė srovė
	Europos atitikties ženklas
	Jungtinės Karalystės atitikties ženklas

	Ukrainos atitikties ženklas
	Eurazijos atitikties ženklas

TEHNILISED ANDMED	M18 BLDDRC	M18 BLPDRC
Konstruksioon	Juhtmeta puur	Juhtmeta löökpuur
Tootmisnumber	4817 09 01 XXXXXX MJJJJ	4817 46 01 XXXXXX MJJJJ
Akupaki pinge	18 V ---	18 V ---
Pöörlemiskiirus tühijooksul 1. käigul	0-550 min ⁻¹	0-550 min ⁻¹
Pöörlemiskiirus tühijooksul 2. käigul	0-1700 min ⁻¹	0-1700 min ⁻¹
Löökide arv 1. käigul	–	: 0-8250 min ⁻¹
Löökide arv 2. käigul	–	0-25000 min ⁻¹
Pöördemoment	60,5 Nm	60,5 Nm
Puuri ø puidus lamepuuriga	32 mm	32 mm
spiraalpuuriga	25,4 mm	25,4 mm
augsaega	51 mm	51 mm
selfeedi puuriga	1-3/8" (35 mm)	1-3/8" (35 mm)
Puuri ø tellistes ja silikaatkivides	–	10 mm
Puidukruvid (eelpuurimiseta)	13 mm	13 mm
Puuripadruni pingutusvahemik	1,6 – 13 mm	1,6 – 13 mm
Kaal vastavalt EPTA-protseduurile 01/2014 (2.0 Ah ... 12.0 Ah)	1,5 kg...2,8 kg	1,5...2,8 kg
Soovituslik ümbritsev temperatuur töötamise ajal	-18...+50 °C	
Soovituslikud akutüübid	M18B...; M18HB...	
Soovituslik laadija	M12-18...; M1418C6	
Müra andmed: Mööteväärtused on kindlaks tehtud vastavalt normile EN 62841. Seadme tüüpiline hinnanguline (müratase): Helirõhutase / Määramatus K Helivõimsuse tase / Määramatus K	79,32 dB(A) / 3 dB(A) 87,32 dB(A) / 3 dB(A)	90,66 dB(A) / 3 dB(A) 98,66 dB(A) / 3 dB(A)
Kandke kaitseks kõrvaklappe!		
Vibratsiooni andmed: Vibratsiooni koguväärtus (kolme suuna vektorsumma) mõdetud EN 62841 järgi. Vibratsiooni emissiooni väärtus a _w / Määramatus K	–	8,31 m/s ² / 1,5m/s ²
Betooni löökpuurimine	–	8,31 m/s ² / 1,5m/s ²
Metalli puurimine	1,64 m/s ² / 1,5 m/s ²	1,64 m/s ² / 1,5m/s ²
Kruvimine	1,44 m/s ² / 1,5m/s ²	1,44 m/s ² / 1,5 m/s ²

⚠ TÄHELEPANU!

Sellel teabelehel toodud vibratsiooni- ja müraemissioon on mõdetud standardis EN 62841 kirjeldatud standarditust testiga ning seda võib kasutada tööriistade omavaheliseks võrdlemiseks. Testi võib kasutada kokkupuute esialgseks hindamiseks.

Deklareeritud vibratsiooni- ja müratase puudutab tööriista põhikasutust. Kui tööriista kasutatakse muuks otstarbeks, teistsuguste tarvikutega või tööriista hooldatakse halvasti, võivad vibratsioon ja müraemissioon erineda. See võib kokkupuutetaset kogu tööajal oluliselt suurendada.

Vibratsiooni ja müraga kokkupuute hinnangulise taseme juures tuleb arvesse võtta ka aega, kui tööriist on välja lülitatud või töötab, kuid sellega ei tehta tööd. See võib kokkupuutetaset kogu tööaja kohta oluliselt vähendada.

Tehke kindlaks täiendavad ohutusmeetmed operaatori kaitsmiseks vibratsiooni ja/või müra eest, näiteks: hooldage tööriista ja tarvikuid, hoidke käed soojas, vaadake üle töökorraldus.

⚠ TÄHELEPANU! Kõik selle elektrilise tööriista gaasasolevad ohutusnõuded, juhised, joonised ja spetsifikatsioonid tuleb läbi lugeda. Kõigi allpool loetletud juhiste eiramise tagajärjeks võib olla elektrilöök, tulekahju ja/või rasked vigastused.
Hoidke kõik ohutusnõuded ja juhised edasiseks kasutamiseks hoolikalt alles.

PUURMASINATE OHUTUSJUHISED

Ohutusjuhised kõigile töödele

Töö käigus, mille puhul lõiketarvik või kinnitused võivad puudutada varjatud juhtmeid, hoidke elektritööriista isoleeritud hoidmispindadest. Tarviku või kinnituste kokkupuude pingestatud juhtmega pingestab ka elektritööriista metallosad ja võib anda kasutajale elektrilöögi.

Kandke löökpuurimisel kuulmekaitset. Müra toime võib põhjustada kuulmiskadu.

Enne tööga alustamist hoidke seadmet selleks ettenähtud käepidemest hästi kõvasti kinni. See töötab suurel pöördekiirusel ja kui te ei hoida sellest töö ajal piisavalt kõvasti kinni, võite kaotada selle üle kontrolli ja end vigastada.

Ohutusjuhised pikkade puuriterade kasutamiseks

Ärge kunagi kasutage suuremat pöördekiirust, kui puuri otsale maksimaalselt on ette nähtud. Lubatust suuremal kiirusel pööreldes võib puuri ots painduda, kui see pöörleb toorikuga kokku puutumata, mis omakorda võib põhjustada vigastusi.

Alustage alati madalamal pöördekiirusel ja nii, et puuri ots puutub toorikuga kokku. Lubatust suuremal kiirusel pööreldes võib puuri ots painduda, kui see pöörleb toorikuga kokku puutumata, mis omakorda võib põhjustada vigastusi.

Alati vajutage puuri otsale peale otse ja ärge suruge liiga tugevasti. Puuri otsad võivad painduda ja murduda või kaob kontroll seadme üle, mis omakorda võib põhjustada vigastusi.

EDASISED OHUTUS- JA TÕÕJUHISED

Kasutada kaitsevarustust. Masinaga töötamisel kanda alati kaitseprille. Kaitseriieusena soovitatakse kasutada tolmumaski kaitsekindaid, kinniseid ja libisemisvastase tallaga jalanõusid, kiivrit ja kuulmisteede kaitset.

HOIATUS Vähendamaks vigastuste ohtu selliste tööde käigus, mis tekitavad suures koguses tolm, soovime kasutada Milwaukee tolmueemalduslahendust vastavalt kasutusjuhendile.

Töö ajal tekkinud tolm on sageli tervistkahjustav ning ei tohiks sattuda organismi. Kanda sobivat kaitsemaski.

Töödeldava materjali, millest lähtub oht tervisele (nt asbest).

Palun lülitage seade rakendustööriista blokeerumise korral kohe välja! Ärge lülitage seadet sisse tagasi, kuni rakendustööriist on blokeeritud; seejuures võib kõrge reaktsioonimomendiga tagasilöökk tekkida. Tehke ohutusjuhiseid arvesse võttes kindlaks ja kõrvaldage rakendustööriista blokeerumise põhjus.

Selle võimalikeks põhjusteks võivad olla:

- viltu asetumine töödeldavas toorikus
- töödeldava materjali läbimurdmine
- elektritööriista ülekoormamine

Ärge sisestage jäsmeid töötavasse masinasse.

Rakendustööriist võib kasutamise ajal kuumaks minna.

TÄHELEPANU! Põletusohu

- tööriista vahetamisel
- seadme ärapanemisel

Puru ega pilpaid ei tohi eemaldada masina töötamise ajal.

Seina, lae või põrandi tööde puhul pidage silmas elektrijuhtmeid, gaasi- ja veetorusid.

Kinnitage toorik kinnipingutusseadisega. Kinnitamata toorikud võivad raskeid vigastusi ja kahjustusi põhjustada.

Enne kõiki töid masina kallal võtke vahetatav aku välja.

Ärge visake tarvitatud vahetatavaid akusid tulle ega olmeprügisse. Milwaukee pakub vanade akude keskkonnahoidlikku käitlust; palun küsige oma erialaselt tarnijalt.

Ärge säilitage vahetatavaid akusid koos metallsemetega (lühiseoht).

Laadige süsteemi M18 vahetatavaid akusid ainult süsteemi M18 laadijatega. Ärge laadige nendega teiste süsteemide akusid.

Äärmuslikul koormusel või äärmuslikul temperatuuril võib kahjustatud vahetatavast akust akudeveldik välja voolata.

Akudeveldikuga kokkupuutumise korral peske kohe vee ja seebiga. Silma sattumise korral loputage kiiresti põhjalikult vähemalt 10 minutit ning pöörduge viivitamatult arsti poole.

Ärge sisestage lõiketera tööriistale, kui tööriist töötab ning lüliti on lukustatud olekus. lõiketera hakkab tööle ja võib kasutajaid vigastada.

Hoiatus! Lühisest põhjustatud tuleohtu, vigastuste või toote kahjustuste vältimiseks ärge kastke tööriista, vahetusakut ega laadimiseadet vedelikku ning jälgige, et vedelikke ei tungiks seadmetesse ega akusse. Korrodeeruvad või elektrit juhtivad vedelikud, nagu soolvesi, teatud kemikaalid ja pleegitusained või pleegitusaineid sisaldavad tooted, võivad põhjustada lühisid.

KASUTAMINE VASTAVALT OTSTARBELE

M18 BLDDRC: Akutrell-kruvikeerajat saab sõltumata võrguühendusest universaalselt rakendada puurimiseks ja kruvide keeramiseks.

M18 BLPDRC: elektroonilist akulõiktrell-kruvikeerajat saab sõltumata võrguühendusest universaalselt rakendada puurimiseks, lõkpuurimiseks ja kruvide keeramiseks.

Antud seadet tohib kasutada ainult vastavalt äranäidatud otstarbele.

JÄÄKOHUD

Jääkohud ei ole välistatud ka otstarbekohase kasutamise korral. Kasutamisel võivad tekkida järgmised ohud, millele kasutaja peab erilist tähelepanu pöörama:

- Vibratsioonist põhjustatud vigastused.

Hoidke seadet selleks ette nähtud käepidemetest ja piirake töö- ning toimeaega.

- Mürasaaste võib põhjustada kuulmekahjustusi. Kandke kuulmekaitset ja piirake toimeaega.
- Mustuseosakestest põhjustatud silmavigastused. Kandke alati kaitseprille, vastupidavaid pikki pükse, kindaid ning tugevaid jalatseid.

Mürgiste tolmude sissehingamine

LIITIUMIOONAKUDE JUHISED**Liitiumioonakude kasutus**

Pikemat aega mittekasutatud akusid laadige veel enne kasutamist. Temperatuur üle 50 °C vähendab aku töövõimet. Vältige pikemat soojenemist päikese või kütteseadme mõjul.

Hoidke laadija ja vahetatava aku ühenduskontaktid puhtad.

Optimaalse patarei eluea tagamiseks, pärast kasutamist lae patareiplokk täielikult.

Akud tuleks võimalikult pika kasutuse saavutamiseks pärast täislaadimist laadijast välja võtta.

Aku ladustamisel üle 30 päeva:

Hoiustage akut kuivas kohas, kus on temperatuur alla 27 °C.

Ladustage akut u 30-50% laetusseisundis.

Laadige aku iga 6 kuu tagant täis.

Liitiumioonakude ülekoormuskaitse

Aku ülekoormamisel kõrge voolutarbimisega, nt puuri blokeerumisel, äkilisel seiskumisel, lühise tekkimisel või ülikõrgetel pöretel, vibreerib elektritööriist 5 sekundit, laadimistuli vilgub ja tööriist lülitub automaatselt välja.

Uuesti sisse lülitamiseks tuleb päästik esmalt vabastada ning seejärel uuesti alla suruda.

Ülisuurel koormusel võib aku kuumeneda kõrgete temperatuurideni. Sellisel juhul vilguvad kõik laadimistulukesed kuni aku jahtumiseni. Peale laadimistulukesed kustumist võite tööd jätkata.

Liitiumioonakude transport

Liitiumioonakud on allutatud ohtlike ainete transportimisega seonduvatele õigusaktidele.

Nende akude transportimine peab toimuma kohalikest, siseriiklikest ja rahvusvahelistest eeskirjadest ning määrustest kinni pidades.

- Tarbijad tohivad neid akusid edasiste piiranguteta tänaval transportida.
- Liitiumioonakude komertstransport ekspedeerimisettevõtete kaudu on allutatud ohtlike ainete transportimisega seonduvatele õigusaktidele. Tarne-ettevalmistusi ja transporti tohivad teostada eranditult vastavalt koostatud isikud. Kõgu protsessi tuleb asjatundlikult jälgida.

Akude transportimisel tuleb järgida järgmisi punkte:

- Tehke kindlaks, et kontaktid on lühiste vältimiseks kaitstud ja isoleeritud.
- Pöörake tähelepanu sellele, et akupakk ei saaks pakendis nihkuda.
- Kahjustatud või välja voolanud akusid ei tohi kasutada.

Pöörduge edasiste juhiste saamiseks ekspedeerimisettevõtte poole.

PUHASTUS

Hoidke masina õhutuspilud alati puhtad.

HOOLDUS

Kasutage ainult Milwaukee tarvikuid ja Milwaukee tagavaraosi. Detailid, mille väljavahetamist pole kirjeldatud, laske välja vahetada Milwaukee klienditeeninduspunkti (vaadake brošüüri garantii / klienditeeninduste aadressid).

Vajadusel saab nõuda seadme plahvatusjoonise võimsussildil oleva masinatüübi ja kuuekohalise numbri alusel klienditeeninduspunkti või vahetult firmalt Techtron Industries GmbH, Max-Eyth-Straße 10, 71364 Winnenden, Germany.

SÜMBOLID

Palun lugege enne käiklaskmist kasutusjuhend hoolikalt läbi.



ETTEVAATUST! TÄHELEPANU! OHUD!



Enne kõiki töid masina kallal võtke vahetatav aku välja.



Masinaga töötades kandke alati kaitseprille.



Kandke kaitseks kõrvaklappe!



Kanda sobivat kaitsemaski.



Kanda kaitsekindaid!



Tarvikud - ei kuulu tarne komplekti, soovitatav täiendus on saadaval tarvikute programmis.



Ärge kõrvaldage patareide, elektri- ja elektroonikaseadmete jäätmeid sorteerimata olmejäätmetena. Akude, elektri- ja elektroonikaseadmete jäätmed tuleb koguda eraldi. Akude, akumulaatorite ja valgusallikate jäätmed tuleb seadmetest eemaldada. Küsige oma kohalikust omavalitsusest või jaemüüjalt nõuandeid ringlussevõtu ja kogumispunkti kohta. Olenevalt kohalikest määrustest võib jaemüüjal lasuda kohustus võtta akude, elektri- ja elektroonikaseadmeid vastu tasuta. Teie panus akude, elektri- ja elektroonikaseadmete jäätmete korduskasutusse ja ringlussevõtu aitab vähendada nõudlust toorainete järele. Akud, eriti liitiumakud ning elektri- ja elektroonikaseadmete jäätmed, sisaldavad väärtuslikke taaskasutatavaid materjale, mis võivad kahjustada keskkonda ja inimeste tervist, kui neid ei kõrvaldata keskkonnasõbralikul viisil. Kustutage kõrvaldatavatest seadmetest isiklikud andmed, kui neid seal on.

n_0

Pörete arv tühikäigul

V

Pinge



Alalisvool



Euroopa vastavusmärk



Ühendkuningriigi vastavusmärgis



Ukraina vastavusmärk



Euraasia vastavusmärk

ТЕХНИЧЕСКИЕ ДАННЫЕ	M18 BLDDRC	M18 BLPDRC
Модель	Акк. дрель/шурупверт	Акк. ударная дрель/шурупверт
Серийный номер изделия	4817 09 01 XXXXXX MJJJJ	4817 46 01 XXXXXX MJJJJ
Напряжение аккумуляторного блока	18 V ---	18 V ---
Число оборотов без нагрузки 1-ая передача	0-550 min ⁻¹	0-550 min ⁻¹
Число оборотов без нагрузки 2-ая передача	0-1700 min ⁻¹	0-1700 min ⁻¹
Количество ударов в минуту 1-ая передача	—	: 0-8250 min ⁻¹
Количество ударов в минуту 2-ая передача	—	0-25000 min ⁻¹
Момент затяжки	60,5 Nm	60,5 Nm
Производительность сверления в дерево с перовым сверлом	32 mm	32 mm
с винтовым сверлом	25,4 mm	25,4 mm
с корончатым сверлом	51 mm	51 mm
с самоврезающимся сверлом	1-3/8" (35 mm)	1-3/8" (35 mm)
Производительность сверления в кирпич и кафель	—	10 mm
Шурупы для дерева (без предварительного засверливания)	13 mm	13 mm
Диапазон раскрытия патрона	1,6 – 13 mm	1,6 – 13 mm
Вес согласно процедуре EPTA 01/2014 (2.0 Ah ... 12.0 Ah)	1,5 kg...2,8 kg	1,5...2,8 kg
Рекомендованная температура окружающей среды во время работы		-18...+50 °C
Рекомендованные типы аккумуляторных блоков		M18B...; M18NB...
Рекомендованные зарядные устройства		M12-18...; M1418C6
Информация по шумам: Значения замерялись в соответствии со стандартом EN 62841.		
Уровень шума прибора, определенный по показателю A, обычно составляет:		
Уровень звукового давления / Небезопасность К	79,32 dB(A) / 3 dB(A)	90,66 dB(A) / 3 dB(A)
Уровень звуковой мощности / Небезопасность К	87,32 dB(A) / 3 dB(A)	98,66 dB(A) / 3 dB(A)
Пользуйтесь приспособлениями для защиты слуха.		
Информация по вибрации: Общие значения вибрации (векторная сумма трех направлений) определены в соответствии с EN 62841.		
Значение вибрационной эмиссии a _h / Небезопасность К		
Ударное сверление в бетоне	—	8,31 m/s ² / 1,5m/s ²
Сверление в металле	1,64 m/s ² / 1,5 m/s ²	1,64 m/s ² / 1,5m/s ²
Завинчивание	1,44 m/s ² / 1,5m/s ²	1,44 m/s ² / 1,5 m/s ²

ВНИМАНИЕ!

Заявленные значения вибрации и шумового излучения, указанные в настоящем информационном листе, были измерены согласно стандартизированному методу испытания согласно EN 62841 и могут использоваться для сравнения одного инструмента с другим. Они могут применяться для предварительной оценки воздействия на организм человека.

Указанные значения вибрации и шумового излучения действительны для основных областей применения инструмента. Однако если инструмент используется в других областях применения или с другими принадлежностями либо проходит ненадлежащее обслуживание, значения вибрации и шумового излучения могут отличаться. Это может существенно увеличить уровень воздействия на организм на протяжении общего периода работы.

При оценке уровня воздействия вибрации и шумового излучения на организм также необходимо учитывать периоды, когда инструмент выключен, или когда он работает, но фактически не используется для выполнения работы. Это может существенно сократить уровень воздействия на организм на протяжении общего периода работы.

Определите дополнительные меры для защиты оператора от воздействия вибрации и/или шума, такие как обслуживание инструмента и его принадлежностей, сохранение рук в тепле, организация графиков работы.

ВНИМАНИЕ! Ознакомьтесь со всеми предупреждениями относительно безопасного использования, инструкциями, иллюстративным материалом и техническими характеристиками, поставляемыми с этим электроинструментом. Несоблюдение всех нижеследующих инструкций может привести к поражению электрическим током, пожару и/или тяжелым травмам. Сохраняйте эти инструкции и указания для будущего использования.

УКАЗАНИЯ ПО ТЕХНИКЕ БЕЗОПАСНОСТИ ДЛЯ ДРЕЛЕЙ

Инструкция по безопасной эксплуатации для всех видов операций

Если Вы выполняете работы, при которых режущий инструмент его крепления может зацепить скрытую электропроводку кабель, инструмент следует держать за специально предназначенные для этого изолированные поверхности. Вследствие контакта лезвия или крепления инструмента с проводом, находящимся под напряжением, пользователь может получить удар электрическим током от неизолированных металлических частей инструмента.

При ударном сверлении надевайте защитные наушники. Воздействие шума может привести к потере слуха.

Перед началом работы надежно удерживайте устройство с помощью предусмотренной для этого ручки. Данное устройство создает высокий крутящий момент на выходном валу, поэтому если не держать его крепко во время работы, можно потерять над ним контроль и получить травму.

Указания по технике безопасности при использовании длинных буров

Никогда не используйте более высокую скорость, чем максимальная скорость, указанная для сверла. На более высоких скоростях сверло может изогнуться, если будет вращаться без контакта с обрабатываемым изделием, что может привести к травме.

Всегда начинайте работу на низкой скорости и когда сверло контактирует с обрабатываемым изделием. На более высоких скоростях сверло может изогнуться, если будет вращаться без контакта с обрабатываемым изделием, что может привести к травме.

Всегда оказывайте давление исключительно вдоль оси сверла и

не давите слишком сильно. Сверла могут изгибаться и ломаться или приводить к потере контроля над устройством, что в свою очередь также может привести к травме.

ДОПОЛНИТЕЛЬНЫЕ УКАЗАНИЯ ПО БЕЗОПАСНОСТИ И РАБОТЕ

Пользоваться средствами защиты. Работать с инструментом всегда в защитных очках. Рекомендуется спецодежда: пылезащитная маска, защитные перчатки, прочная и нескользящая обувь, каска и наушники.

ПРЕДУПРЕЖДЕНИЕ Для минимизации рисков при работах с оборудованием большого количества пыли рекомендуем использовать устройство пылеудаления Milwaukee согласно инструкции по эксплуатации.

Пыль, возникающая при работе данным инструментом, может нанести вред здоровью. Не следует допускать её попадания в организм. Надевайте противопылевой респиратор.

Запрещается обрабатывать материалы, которые могут нанести вред здоровью (напр., асбест).

При блокировании используемого инструмента немедленно выключить прибор! Не включайте прибор до тех пор, пока используемый инструмент заблокирован, в противном случае может возникнуть отдача с высоким реактивным моментом. Определите и устраните причину блокирования используемого инструмента с учетом указаний по безопасности.

Возможными причинами могут быть:

- перекос заготовки, подлежащей обработке
- разрушение материала, подлежащего обработке
- перегрузка электроинструмента

Не прикасаться к работающему станку.

Используемый инструмент может нагреваться во время применения.

- при смене инструмента
- при укладывании прибора

Не убирайте опилки и обломки при включенном инструменте.

При работе в стенах, потолках или полу следите за тем, чтобы не повредить электрические кабели или водопроводные трубы.

Зафиксируйте вашу заготовку с помощью зажимного приспособления. Незафиксированные заготовки могут привести к тяжелым травмам и повреждениям.

Выньте аккумулятор из машины перед проведением с ней каких-либо манипуляций.

Не выбрасывайте использованные аккумуляторы вместе с домашним мусором и не сжигайте их. Дистрибьюторы компании Milwaukee предлагают восстановление старых аккумуляторов, чтобы защитить окружающую среду.

Не храните аккумуляторы вместе с металлическими предметами во избежание короткого замыкания.

Для зарядки аккумуляторов модели M18 используйте только зарядным устройством M18. Не заряжайте аккумуляторы других систем.

Аккумуляторная батарея может быть повреждена и дать течь под воздействием чрезмерных температур или повышенной нагрузки. В случае контакта с аккумуляторной кислотой немедленно промойте место контакта мылом и водой. В случае попадания кислоты в глаза промойте глаза в течение 10 минут и немедленно обратитесь за медицинской помощью.

Нельзя вставлять сверло в инструмент, когда инструмент работает и выключатель находится в заблокированном положении, поскольку сверло может травмировать пользователя.

Предупреждение! Для предотвращения опасности пожара в результате короткого замыкания, травм и повреждения изделия не опускайте инструмент, сменный аккумулятор или зарядное устройство в жидкости и не допускайте попадания жидкостей внутрь устройств или аккумуляторов. Коррозионные и проводящие жидкости, такие как соленый раствор, определенные химикаты, отбеливающие средства или содержащие их продукты, могут привести к короткому замыканию.

ИСПОЛЬЗОВАНИЕ

M18 BLDDRC: Аккумуляторная дрель/шурупверт сконструирована для простого сверления и закручивания шурупов в местах, необеспеченных электропитанием.

M18 BLPDRC: Электронная ударная дрель/шурупверт сконструирована для простого сверления, ударного сверления, закручивания шурупов в местах, необеспеченных электропитанием.

Не пользуйтесь данным инструментом способом, отличным от указанного для нормального применения.

ОСТАТОЧНЫЕ РИСКИ

Даже при надлежащем использовании нельзя исключить все остаточные риски. При использовании могут возникнуть такие опасности, на которые пользователь должен обратить особое внимание:

- Травмы вследствие вибрации. Держите прибор за предусмотренные для этого рукоятки и ограничивайте время работы и экспозиции.
- Шумовое воздействие может привести к повреждению слуха. Носите защитные наушники и ограничивайте продолжительность экспозиции.
- Травмы глаз, вызванные частицами загрязнений. Всегда надевайте защитные очки, плотные длинные брюки, рукавицы и прочную обувь.

Вдыхание ядовитой пыли.

УКАЗАНИЯ ДЛЯ ЛИТИЙ-ИОННЫХ АККУМУЛЯТОРОВ

Использование литий-ионных аккумуляторов

Перед использованием аккумулятора, которым не пользовались некоторое время, его необходимо зарядить.

Температура свыше 50°C снижает работоспособность аккумуляторов. Избегайте продолжительного нагрева или прямого солнечного света (риск перегрева).

Контакты зарядного устройства и аккумуляторов должны содержаться в чистоте.

Для обеспечения оптимального срока службы аккумулятор необходимо полностью заряжать после использования прибора.

Для достижения максимально возможного срока службы аккумуляторы после зарядки следует вынимать из зарядного устройства.

При хранении аккумулятора более 30 дней:

Храните аккумулятор в сухом месте при температуре ниже 27 °C.

Храните аккумулятор с зарядом примерно 30% - 50%.

Каждые 6 месяцев аккумулятор следует заряжать.

Защита литий-ионных аккумуляторов от перегрузки

В случае перегрузки аккумулятора по причине слишком большого потребления электроэнергии, например, при экстремально большом крутящем моменте, заклинивании сверла, внезапной остановке или коротком замыкании, электроприбор вибрирует в течение 5 секунд, загорается индикатор заряда аккумулятора и электроприбор автоматически выключается. Для повторного включения следует отжать кнопку включения и потом снова включить. При слишком высоких нагрузках аккумулятор перегревается. В этом случае загорятся все лампы индикатора заряда аккумулятора. Когда аккумулятор остынет и лампы погаснут – можно продолжать работу.

Транспортировка литий-ионных аккумуляторов

Литий-ионные аккумуляторы в соответствии с предписаниями закона транспортируются как опасные грузы.

Транспортировка этих аккумуляторов должна осуществляться с соблюдением местных, национальных и международных предписаний и положений.

- Эти аккумуляторы могут перевозиться по улице потребителем без дальнейших обязательств.
- При коммерческой транспортировке литий-ионных аккумуляторов экспедиторскими компаниями действующее положение, касающееся транспортировки опасных грузов. Подготовка к отправке и транспортировка должны производиться исключительно специально обученными лицами. Весь процесс должен находиться под контролем специалиста.

При транспортировке аккумуляторов необходимо соблюдать следующие пункты:

- Убедитесь, что контакты защищены и изолированы во избежание

- короткого замыкания.
- Следите за тем, чтобы аккумуляторный блок не соскочил внутри упаковки.
- Транспортировка поврежденных или протекающих аккумуляторов запрещена.

За дополнительными указаниями обратитесь к своему экспедитору.

ОЧИСТКА

Всегда держите охлаждающие отверстия чистыми.

ОБСЛУЖИВАНИЕ

Пользуйтесь аксессуарами и запасными частями Milwaukee. В случае возникновения необходимости в замене, которая не была описана, обращайтесь в один из сервисных центров по обслуживанию электроинструментов Milwaukee (см. список сервисных организаций).

При необходимости, у сервисной службы или непосредственно у фирмы Techtronic Industries GmbH, Max-Eyth-Strasse 10, 71364, Винненден, Германия, можно запросить сборочный чертеж устройства, сообщив его тип и шестизначный номер, указанный на фирменной табличке.

СИМВОЛЫ

	Пожалуйста, внимательно прочтите инструкцию по использованию перед началом любых операций с инструментом.
	ВНИМАНИЕ! ПРЕДУПРЕЖДЕНИЕ! ОПАСНОСТЬ!
	Выньте аккумулятор из машины перед проведением с ней каких-либо манипуляций.
	При работе с инструментом всегда надевайте защитные очки.
	Пользуйтесь приспособлениями для защиты слуха.
	Надевайте противопылевой респиратор.
	Надевать защитные перчатки!
	Принадлежности - В стандартную комплектацию не входит, поставляется в качестве дополнительной принадлежности.



Не выбрасывайте отработавшие батареи, электрическое и электронное оборудование вместе с неотсортированными бытовыми отходами. Отработавшие батареи, а также электрическое и электронное оборудование должны быть утилизированы отдельно. Отработавшие батареи, аккумуляторы и источники света необходимо предварительно извлечь из оборудования. За дополнительной информацией по утилизации и сбору обратитесь в местные муниципальные органы или в розничный магазин. Нормативные требования в некоторых регионах могут обязывать розничные магазины бесплатно утилизировать отработавшее электрическое и электронное оборудование, а также отработавшие батареи. Повторное использование и переработка отработавших батарей, а также старого электронного и электрического оборудования позволяют снизить потребность в сырьевых ресурсах. Отработавшие батареи содержат среди прочего литий, а электронное и электрическое оборудование — ценные перерабатываемые материалы. Однако при ненадлежащей утилизации данные компоненты могут нанести вред окружающей среде и здоровью человека. Удалите конфиденциальную информацию с оборудования при ее наличии.

	Частота вращения на холостом ходу
	Напряжение
	Постоянный ток
	Европейский знак соответствия
	Британский знак соответствия
	Украинский знак соответствия
	Евразийский знак соответствия

ТЕХНИЧЕСКИ ДАННИ	M18 BLDDRC	M18 BLPDRC
Тип	Аккумуляторен винтоверт/бормашина	Аккумуляторен ударен гайковерт
Производствен номер	4817 09 01 XXXXXX MJJJJ	4817 46 01 XXXXXX MJJJJ
Напряжение аккумулятора	18 V ---	18 V ---
Обороти на празен ход, на 1. скорост	0-550 min ⁻¹	0-550 min ⁻¹
Обороти на празен ход, на 2. скорост	0-1700 min ⁻¹	0-1700 min ⁻¹
Брой на ударите на 1. скорост	—	: 0-8250 min ⁻¹
Брой на ударите на 2. скорост	—	: 0-25000 min ⁻¹
Въртящ момент	60,5 Nm	60,5 Nm
Диаметър на свредлото за дърво с плоско свредло	32 mm	32 mm
със спирално свредло	25,4 mm	25,4 mm
с найкрайник за кръгли отвори	51 mm	51 mm
с найкрайник за самопробивни винтове	1-3/8" (35 mm)	1-3/8" (35 mm)
Диаметър на свредлото за обикновени и силикатни тухли	—	10 mm
Винтове за дърво (без предварително разпробиване)	13 mm	13 mm
Затегателен участък на патронника	1,6 – 13 mm	1,6 – 13 mm
Тегло съгласно процедурата ЕРТА 01/2014 (2.0 Ah ... 12.0 Ah)	1,5 kg...2,8 kg	1,5...2,8 kg
Препоръчителна околна температура при работа	-18...+50 °C	
Препоръчителни видове акумулаторни батерии	M18B...; M18HB...	
Препоръчителни зарядни устройства	M12-18...; M1418C6	

Информация за шума:

Измерените стойности са получени съобразно EN 62841.

Оцененото с А ниво на шума на уреда е съответно:

Равнище на звуковото налягане / Несигурност К

79,32 dB(A) / 3 dB(A)

90,66 dB(A) / 3 dB(A)

Равнище на мощността на звука / Несигурност К

87,32 dB(A) / 3 dB(A)

98,66 dB(A) / 3 dB(A)

Да се носи предпазно средство за слуха!

Информация за вибрациите: Общите стойности на вибрациите (векторна сума на три посоки) са определени в съответствие с EN 62841.

Стойност на емисиите на вибрациите a_h / Несигурност К

Ударно пробиване в бетон

—

8,31 m/s² / 1,5m/s²

Пробиване на метал

1,64 m/s² / 1,5 m/s²

1,64 m/s² / 1,5m/s²

Завинтване

1,44 m/s² / 1,5m/s²

1,44 m/s² / 1,5 m/s²

ВНИМАНИЕ!

Посочените в настоящия информационен лист нива на вибрации и шумови емисии са измерени в съответствие със стандартизирано изпитване, предоставено в EN 62841, и могат да се използват за сравняване на един инструмент с друг. Те може също така да се използват и за предварителна оценка на излагането на вредни въздействия.

Декларираните нива на вибрации и шумови емисии се отнасят за основните приложения на инструмента. Ако обаче инструментът се използва за други приложения, с други приспособления или не се поддържа добре, нивата на вибрации и шумови емисии могат да са различни. Това може значително да повиши нивото на излагане на вредни въздействия за общата продължителност на работата.

При оценка на нивото на излагане на въздействието на вибрации и шум следва също така да се вземе предвид времето, през което инструментът е изключен или през което е включен, но не се използва. Това може значително да понижи нивото на излагане на вредни въздействия за общата продължителност на работата.

Определете допълнителни мерки за безопасност за защита на оператора от въздействието на вибрациите и/или шума, като например поддръжка на инструмента и приспособленията, поддържането на топлината на ръцете и организацията на работата.

ВНИМАНИЕ! Прочетете всички указания за безопасност, инструкции, илюстрации и спецификации за този електроинструмент. Пропуски при спазването на указанията и напътствията за безопасност могат да доведат до токов удар, пожар и/или тежки наранявания. **Съхранявайте указанията и напътствията за безопасност за справка при нужда.**

и ако по време на работа не го държите здраво, можете да загубите контрол над него и да се нараните.

Указания за безопасност при използването на дълги свредла

Никога не използвайте по-високи обороти от максималните обороти, предвидени за пробивания найкрайник. При по-високи обороти найкрайникът може да се огъне, когато се върти без контакт с детайла, което може да доведе до наранявания.

Винаги стартирайте с ниски обороти и работете с такива, когато пробиваният найкрайник се намира в контакт с детайла. При по-високи обороти найкрайникът може да се огъне, когато се върти без контакт с детайла, което може да доведе до наранявания.

Винаги прилагайте натиск само в директна посока към пробивания найкрайник и не натискайте прекалено силно. Пробиващите найкрайници могат да се огънат и да се счупят, или да причинят загуба на контрол над уреда, поради което да се стигне до наранявания.

УКАЗАНИЯ ЗА БЕЗОПАСНОСТ ЗА БОРМАШИНИ

Инструкции за безопасност при всички дейности

Дръжте електрическия инструмент за изолираните повърхности за хващане, когато извършвате операция, при която режещото острие или стягите могат да влязат в досег със скрити проводници. При досег с проводник под напрежение по режещото острие или по стягите може да протече ток, който да причини електрически удар на оператора.

Носете предпазни тапи за ушите при ударното пробиване. Шумът може да доведе до загуба на слуха.

Преди започване на работа хванете здраво уреда за предвидената за целта ръкохватка. Уредът създава висок начален въртящ момент

ДОПЪЛНИТЕЛНИ УКАЗАНИЯ ЗА РАБОТА И БЕЗОПАСНОСТ

Да се използват предпазни средства. При работа с машината винаги носете предпазни очила. Препоръчват се защитно облекло и прахозащитна маска, защитни ръкавици, здрави и нехлъзгащи се обувки, каска и предпазни средства за слуха.

ПРЕДУПРЕЖДЕНИЕ За да се намали рискът от нараняване при работа със значително запрашаване, препоръчваме използването на прахоулавящо решение на Milwaukee съгласно ръководството за употреба.

Прахът, който се образува при работа, често е вреден за здравето и не бива да попада в тялото. Да се носи подходяща прахозащитна маска.

Не е разрешена обработката на материали, които представляват опасност за здравето (напр. азбест).

Ако използваният инструмент блокира, изключете веднага уреда! Не включвайте уреда отново, докато използваният инструмент е блокиран; това би могло да доведе до откат с висока реактивна сила. Открийте и отстранете причината за блокирането на използвания инструмент имайки в предвид инструкциите за безопасност.

Възможните причини за това могат да бъдат:

- Заклинване в обработваната част
- Пробиване на материала
- Пренатоварване на електрическия инструмент

Не бъркайте в машината, докато тя работи.

Използваният инструмент може да загрее по време на употреба.

ВНИМАНИЕ! Опасност от изгаряния

- при смяна на инструмента
- при оставяне на уреда

Стружици или отчупени парчета да не се отстраняват, докато машина работи.

При работа в стени, тавани или подове внимавайте за кабели, газопроводи и водопроводи.

Закрепете обработваната част с устройство за захващане. Незакрепени части за обработка могат да причинят сериозни наранявания и материални щети.

Преди започване на каквито е да е работи по машината извадете акумулатора.

Не изхвърляйте изхабените акумулатори в огъня или в при битовите отпадъци. Milwaukee предлага екологосъобразно събиране на старите акумулатори; моля попитайте Вашия специализиран търговец.

Не съхранявайте акумулаторите заедно с метални предмети (опасност от късо съединение).

Акумулатори от системата M18 да се зареждат само със зарядни устройства от системата M18 laden. Да не се зареждат акумулатори от други системи.

При екстремно натоварване или екстремна температура от повредени акумулатори може да изтече батерийна течност. При допир с такава течност веднага измийте с вода и сапун. При контакт с очите веднага изплаквайте старателно най-малко 10 минути и незабавно потърсете лекар.

Не поставяйте бит на инструмента, докато инструментът работи и превключателят е блокиран, тъй като битът се върти и може да нарани потребителя.

Предупреждение! За да избегнете опасността от пожар, предизвикана от късо съединение, както и нараняванията и повредите на продукта, не потапяйте инструмента, сменяемата акумулаторна батерия или зарядното устройство в течности и се погрижете в уредите и акумулаторните батерии да не попадат течности. Течностите, предизвикващи корозия или провеждащи електричество, като солена вода, определени химикали, изобелващи вещества или продукти, съдържащи изобелващи вещества, могат да предизвикат късо съединение.

ИЗПОЛЗВАНЕ ПО ПРЕДНАЗНАЧЕНИЕ

M18 BLDDRC: Акумулаторният пробивен винтоверт се използва универсално за пробиване и за завинтане на винтове и не зависи от захранване от мрежата.

M18 BLPDRC: Акумулаторният ударен пробивен винтоверт с електронно управление може универсално да се използва за пробиване, ударно пробиване и завинтане на винтове, като не зависи от захранване от

мрежата.

Този уред може да се използва по предназначение само както е посочено.

ОСТАТЪЧНИ РИСКОВЕ

Дори при правилна употреба, остатъчните рискове не могат да бъдат изключени. При използване могат да възникнат следните опасности, за които обслужващият трябва да внимава:

- Наранявания, причинени от вибрации. Дръжте уреда за предвидените за целта ръкохватки и ограничавайте времето на работа и експозицията.
- Шумовото натоварване може да причини слухови увреждания. Носете защита за слуха и ограничете продължителността на експозицията.
- Наранявания на очите, причинени от замърсяващи частици. Винаги носете предпазни очила, здрави дълги панталони, ръкавици и стабилни обувки.

Вдишване на отровни прахове.

УКАЗАНИЯ ЗА ЛИТИЕВО-ЙОННИ АКУМУЛАТОРНИ БАТЕРИИ

Употреба на литиево-йонни акумулаторни батерии

Акумулатори, които не са ползвани по-дълго време, преди употреба да се дозаредят.

Температура над 50°C намалява мощността на акумулатора. Да се избягва по-продължително нагряване на слънце или от отопление.

Поддържайте чисти присъединителните контакти на зарядното устройство и на акумулатора.

За оптимална продължителност на живот след употреба батериите трябва да се заредят напълно.

За възможно по-дълга продължителност на живот батериите трябва да се изваждат от уреда след зареждане.

При съхранение на батериите за повече от 30 дни: Съхранявайте акумулаторната батерия на сухо място при температура под 27°C. Съхранявайте батерията при 30 до 50 % от заряда. Зареждайте батерията на всеки 6 месеца.

Защита от претоварване при литиево-йонни акумулаторни батерии

При претоварване на батерията вследствие на голямо потребление на енергия, например изключително високи въртящи моменти, блокиране на бургията (свредлото), внезапно спиране или късо съединение, електрическият инструмент вибрира в продължение на 5 секунди, мига индикаторът за зареждане и електрическият инструмент се изключва сам.

За да го включите повторно, освободете превключателя и след това включете уреда.

При екстремно натоварване батерията се нагрява значително. В този случай всички светлини на индикатора за зареждане мигат дотогава, докато батерията се охладя. След изгасване на индикатора за зареждане можете да продължите работата с уреда.

Транспортиране на литиево-йонни акумулаторни батерии

Литиево-йонните батерии са предмет на законите разпоредби за превоз на опасни товари.

Превозът на тези батерии трябва да се извършва в съответствие с местните, националните и международните разпоредби и регламенти.

- Потребителите могат да превозват тези батерии по пътя без допълнителни изисквания.
- Превозът на литиево-йонни батерии от транспортни компании е предмет на законите разпоредбите за превоз на опасни товари. Подготовката на превоза и самият превоз трябва да се извършват само от обучени лица. Целият процес трябва да е под професионален надзор.

Спазвайте следните изисквания при превоз на батерии:

- Уверете се, че контактите са защитени и изолирани, за да се избегне късо съединение.
- Уверете се, че няма опасност от разместване на батерията в опаковката.
- Не превозвайте повредени батерии или такива с течове.

Обърнете се към Вашата транспортна компания за допълнителни инструкции.

ПОЧИСТВАНЕ

Вентилационните шлицы на машината да се поддържат винаги чисти.

ПОДДРЪЖКА

Да се използват само аксесоари на Milwaukee и резервни части на Milwaukee. Елементи, чията подмяна не е описана, да се дадат за подмяна в сервис на Milwaukee (вижте брошурата „Гарантия и адреси на сервиси“).

При необходимост можете да поискате схема на елементите на уреда при посочване на обозначение на машината и шестцифрения номер на табелката за технически данни от Вашия сервис или директно на Techtronic Industries GmbH, Max-Eyth-Straße 10, 71364 Winnenden, Германия.

СИМВОЛИ

	Преди пускане на уреда в действие моля прочетете внимателно инструкцията за използване.
	ВНИМАНИЕ! ПРЕДУПРЕЖДЕНИЕ! ОПАСНОСТ
	Преди започване на каквито е да е работи по машината извадете акумулатора.
	При работа с машината винаги носете предпазни очила.
	Да се носи предпазно средство за слуха!
	Да се носи подходяща прахозащитна маска.
	Да се носят предпазни ръкавици!
	Аксесоари - Не се съдържат в обема на доставката, препоръчвано допълнение от програмата за аксесоари.



Отпадъците от батерии, отпадъците от електрическо и електронно оборудване не трябва да се изхвърлят заедно с битовите отпадъци. Отпадъците от батерии, отпадъците от електрическо и електронно оборудване трябва да се събират и изхвърлят отделно. Преди изхвърлянето отстранявайте от уредите отпадъците от батерии, отпадъците от акумулатори и лампите. Информирайте се от местните служби или от своя специализиран търговец относно фирмите за рециклиране и местата за събиране на отпадъци. В зависимост от местните разпоредби, търговците на дребно могат са задължени да приемат безплатно върнатите обратно отпадъци от батерии и от електрическо и електронно оборудване. Дайте своя принос за намаляването на нуждите от суровини чрез повторната употреба и рециклирането на Вашите отпадъци от батерии и отпадъци от електрическо и електронно оборудване. Отпадъците от батерии (най-вече литиево-йонните батерии) и отпадъците от електрическо и електронно оборудване съдържат ценни рециклиращи се материали, които могат да повлияят отрицателно на околната среда и на Вашето здраве, ако не се изхвърлят по екологосъобразен начин. Преди изхвърлянето като отпадък изтрийте от Вашия употребяван уред евентуално наличните в него лични данни.

n_0	Обороти на празен ход
V	Напрежение
	Постоянен ток
	Европейски знак за съответствие
	Британски знак за съответствие
	Украински знак за съответствие
001	
	Евро-азиатски знак за съответствие

DATE TEHNICE	M18 BLDDRC	M18 BLPDRC
Tip	Mașină de găurit/Înșurubat cu acumulator/Mașină de găurit/Înșurubat compactă cu acumulator	
Număr producție	4817 09 01 XXXXXX MJJJJ	4817 46 01 XXXXXX MJJJJ
Voltaj pachet acumulator	18 V ---	18 V ---
Viteza la mers în gol prima treaptă de putere	0-550 min ⁻¹	0-550 min ⁻¹
Viteza de mers în gol, a 2-a treaptă	0-1700 min ⁻¹	0-1700 min ⁻¹
Rata de impact, a 1-a treaptă	-	: 0-8250 min ⁻¹
Rata de impact, a 2-a treaptă	-	0-25000 min ⁻¹
Cuplu	60,5 Nm	60,5 Nm
Capacitate de găurire în lemn cu burghiu lat	32 mm	32 mm
cu burghiu elicoidal	25,4 mm	25,4 mm
cu ferăstrău pentru găuri	51 mm	51 mm
cu burghiu selfeed	1-3/8" (35 mm)	1-3/8" (35 mm)
Capacitate de perforare în cărămidă și țiglă	-	10 mm
Șuruburi pt. lemn (fără pregăurire)	13 mm	13 mm
Interval de deschidere burghiu	1,6 – 13 mm	1,6 – 13 mm
Greutatea conform „EPTA procedure 01/2014” (2.0 Ah ... 12.0 Ah)	1,5 kg...2,8 kg	1,5...2,8 kg
Temperatura ambientală recomandată la efectuarea lucrărilor	-18...+50 °C	
Accumulatori recomandați	M18B...; M18HB...	
Încărcătoare recomandate	M12-18...; M1418C6	
Informație privind zgomotul: Valori măsurate determinate conform EN 62841.		
Nivelul de zgomot evaluat cu A al aparatului este tipic de:		
Nivelul presiunii sonore / Nesiguranță K	79,32 dB(A) / 3 dB(A)	90,66 dB(A) / 3 dB(A)
Nivelul sunetului / Nesiguranță K	87,32 dB(A) / 3 dB(A)	98,66 dB(A) / 3 dB(A)
Purtați căști de protecție		
Informații privind vibrațiile: Valorile totale de oscilație (suma vectorială pe trei direcții) determinate conform noimei EN 62841.		
Valoarea emisie de oscilații a _n / Nesiguranță K		
Găurit cu percuție în beton	-	8,31 m/s ² / 1,5m/s ²
Găurit în metal	1,64 m/s ² / 1,5 m/s ²	1,64 m/s ² / 1,5m/s ²
Înșurubare	1,44 m/s ² / 1,5m/s ²	1,44 m/s ² / 1,5 m/s ²

A AVERTISMENTI

Nivelul vibrației și emisie de zgomot indicat în această fișă informativă a fost măsurat în conformitate cu o metodă standard de testare specificată în EN 62841 și se poate utiliza pentru a compara dispozitivele între ele. Acesta se poate utiliza și într-o evaluare preliminară a expunerii.

Nivelul declarat al vibrației și emisie sonore reprezintă principalele aplicații ale dispozitivului. Cu toate acestea, dacă dispozitivul este utilizat pentru aplicații diferite, cu accesorii diferite sau întreținute necorespunzător, emisia de vibrații și zgomote poate diferi. Acest lucru poate crește semnificativ nivelul expunerii pe întreaga perioadă de lucru.

O estimare a nivelului de expunere la vibrații și zgomot ar trebui să țină cont și de momentele în care dispozitivul este oprit sau când funcționează, dar nu realizează de fapt nimic lucru. Acest lucru poate reduce semnificativ nivelul expunerii pe întreaga perioadă de lucru.

Identificați măsuri de siguranță suplimentare pentru a proteja operatorul de efectele vibrațiilor și/sau zgomotului, cum ar fi: întreținerea dispozitivului și a accesoriilor, menținerea caldă a mâinilor, organizarea modelelor de lucru.

A AVERTISMENT A se citi toate avertismentele, instrucțiunile, ilustrațiile și specificațiile privind siguranța furnizate cu această unealtă electrică. Nerespectarea tuturor instrucțiunilor listate mai jos poate cauza șocuri electrice, incendii și/sau vătămări corporale grave.
Păstrați toate indicațiile de avertizare și instrucțiunile în vederea utilizărilor viitoare.

INSTRUCȚIUNI DE SIGURANȚĂ PENTRU MAȘINILE DE GĂURIT

Instrucțiuni de siguranță pentru toate operațiile

Țineți unealta electrică de suprafețele de prindere izolate în timp ce efectuați o operație în timpul căreia accesoriul de tăiere sau accesoriile de fixare ar putea atinge cablajul ascuns. Accesoriul de tăiere sau accesoriile de fixare care intră în contact cu un conductor sub tensiune pot face ca piesele metalice expuse ale unei electrice să intre sub tensiune și ar putea electrocuta operatorul.

La găurirea cu percuție purtați echipament de protecție pentru auz. Expunerea la zgomot poate duce la pierderea auzului.

Înainte de începerea lucrului apucați bine aparatul de mână

prevăzut în acest scop. Acest aparat produce un cuplu de ieșire ridicat și, dacă nu îl țineți bine în timpul funcționării, puteți pierde controlul asupra aparatului și vă puteți răni.

Instrucțiuni de siguranță pentru utilizarea burghiilor lungi
Nu utilizați niciodată o turație mai mare decât turația maximă indicată pentru burghiu. La turații mai mari, burghiul se poate îndoi când se rotește fără contact cu piesa, ceea ce poate duce la accidentări.

Începeți întotdeauna cu o turație mică și în timp ce burghiul se află în contact cu piesa. La turații mai mari, burghiul se poate îndoi când se rotește fără contact cu piesa, ceea ce poate duce la accidentări.

Exerciții întotdeauna presiune numai direct pe burghiu și nu apăsați prea tare. Burghiile se pot îndoi și se pot rupe sau pot conduce la pierderea controlului asupra aparatului, ceea ce poate antrena accidentări.

INSTRUCȚIUNI SUPPLEMENTARE DE SIGURANȚĂ ȘI DE LUCRU

Folosiți echipament de protecție. Purtați întotdeauna ochelari de protecție când lucrați cu mașina. Se recomandă utilizarea hainelor de protecție ca de ex. Măști contra prafului, mănuși de protecție, încălțăminte stabilă nealunecoasă, cască și aparatoare de urechi.

AVERTIZARE Pentru a reduce riscul de accidentare în timpul lucrărilor la care se formează o cantitate însemnată de praf vă recomandăm folosirea unei soluții Milwaukee de aspirare a prafului conform instrucțiunilor de utilizare.

Praful care apare când se lucrează cu această sculă poate fi dăunător sănătății și prin urmare nu trebuie să atingă corpul. Purtați o mască de protecție corespunzătoare împotriva prafului.

Nu se admite prelucrarea unui material care poate pune în pericol sănătatea operatorului (de exemplu azbestul).

La blocarea sculei demontabile vă rugăm să deconectați imediat aparatul! Nu conectați aparatul atâta timp cât scula demontabilă este blocată, dacă o faceți, s-ar putea să se producă un recul cu un cuplu mare de reacție. Găsiți și remediați cauza de blocare a sculei demontabile respectând indicațiile pentru siguranță.

Cauzele posibile pot fi:

- Agățarea în piesa de prelucrat
- Străpungerea materialului de prelucrat
- Suprasolicitarea sculei electrice

Nu atingeți părțile mașinii aflate în rotație.

Scula introdusă poate să devină fierbinte în timpul utilizării.

AVERTISMENT! Pericol de arsuri

- la schimbarea sculei
- la depunerea aparatului

Rumegușul și spanul nu trebuie îndepărtate în timpul funcționării mașinii.

Când se lucrează pe pereți, tavan sau dușumea, aveți grijă să evitați cablurile electrice și țevile de gaz sau de apă.

Asigurați piesa de prelucrat cu un dispozitiv de fixare. Piese neasigurate pot provoca accidentări grave și stricăciuni.

Îndepărtați acumulatorul înainte de începerea lucrului pe mașina

Nu aruncați acumulatorii uzați la containerul de rezidui menajere și nu îi ardeți. Milwaukee Distributors se oferă să recupereze acumulatorii vechi pentru protecția mediului înconjurător.

Nu depozitați acumulatorul împreună cu obiecte metalice (risc de scurtcircuit)

Folosiți numai încărcătoare System M18 pentru încărcarea acumulatorilor System M18. Nu folosiți acumulatori din alte sisteme.

Acidul se poate scurge din acumulatorii deteriorați la încărcături sau temperaturi extreme. În caz de contact cu acidul din acumulator, spălați imediat cu apă și săpun. În caz de contact cu ochii, clătiți cu atenție timp de cel puțin 10 minute și apălați imediat la îngrijire medicală.

A nu se introduce scula pe unealtă aceasta este în funcțiune și comutatorul este în poziția pornit, scula va începe să se miște și poate vătăma utilizatorul.

Avertizare! Pentru a reduce pericolul unui incendiu și evitarea rănilor sau deteriorarea produsului în urma unui scurtcircuit nu imersați scula, acumulatorul de schimb sau încărcătorul în lichide și asigurați-vă să nu pătrundă lichide în aparate și acumulatori. Lichidele corosive sau cu conductibilitate, precum apa sărată, anumite substanțe chimice și înalbitori sau produse ce conțin înalbitori, pot provoca un scurtcircuit.

CONDIȚII DE UTILIZARE SPECIFICATE

M18 BLDDRC: Mașina de găurit / de înșurubat cu acumulator este destinată operațiilor de găurire și înșurubare, pentru utilizare independentă, departe de sursele de alimentare.

M18 BLPDRC: Mașina electronică de găurit / de înșurubat, cu percuție cu acumulator este destinată găuririi, percutante precum și înșurubării, la utilizare independentă departe de surse de alimentare.

Nu utilizați acest produs în alt mod decât cel stabilit pentru utilizare normală

RISCURI REZIDUALE

Excluderea tuturor pericolelor reziduale nu este posibilă chiar și în condiții de utilizare corectă a mașinii. În timpul utilizării pot apărea următoarele pericole, de care utilizatorul ar trebui să țină seama:

- Accidentări provocate de vibrații.
 - Țineți aparatul de mânerle prevăzute în acest scop și reduceți timpul de lucru și de expunere.
 - Poluarea fonică poate duce la vătămarea auzului.
 - Purtați căști antifonice și reduceți durata expunerii.
 - Afecțiuni oculare cauzate de particulele de impurități.
 - Purtați întotdeauna ochelari de protecție, pantaloni lungi rezistenți, mănuși și încălțăminte robustă.
- Inhalare de pulberi toxice.

INDICAȚII PENTRU ACUMULATORI L-I-ON

Utilizarea acumulatorilor Li-Ion

Accumulatorii care nu au fost utilizați o perioadă de timp trebuie reîncărcați înainte de utilizare

Temperatura mai mare de 50°C reduce performanța acumulatorului. Evitați expunerea prelungită la căldură sau radiație solară (risc de supraîncălzire)

Contactele încărcătoarelor și acumulatorilor trebuie păstrate curate.

În scopul optimizării duratei de funcționare, bateriile trebuie reîncărcate complet după utilizare.

Pentru o durată de viață cât mai lungă, acumulatorii ar trebui scoși din încărcător după încărcare.

La depozitarea acumulatorilor mai mult de 30 zile: Depozitați acumulatorul într-un loc uscat la o temperatură sub 27 °C. Accumulatorii se depozitează la nivelul de încărcare de cca. 30%-50%.

Accumulatorii se încarcă din nou la fiecare 6 luni.

Protecție la suprasarcină la acumulatorii Li-Ion

În cazul unei suprasolicitări a acumulatorului datorită unui consum excesiv de curent electric, de ex. datorită unor momente de turație extrem de înalte, a prinderii burghiului, a unei opriri subite sau a unui scurt circuit, scula electrică trezidează timp de 5 secunde, indicația stării de încărcare pălăpie și scula electrică se deconectează de la sine.

Pentru reconectare dați drumul întrerupătorului și conectați din nou. În cazul unor sarcini extreme, acumulatorul se încinge prea tare. În acest caz toate lămpile indicației stării de încărcare pălăpie până când acumulatorul s-a răcit. După ce indicația stării de încărcare s-a stins se poate lucra mai departe.

Transportul acumulatorilor Li-Ion

Accumulatorii cu ioni de litiu cad sub incidența prescripțiilor legale pentru transportul de mărfuri periculoase.

Transportul acestor acumulatori trebuie să se efectueze cu respectarea prescripțiilor și reglementărilor pe plan local, național și internațional.

- Consumatorilor le este permis transportul rutier nerestricționat al acestui tip de acumulatori.
- Transportul comercial al acumulatorilor cu ioni de litiu prin intermediul firmelor de expediție și transport este supus reglementărilor transportului de mărfuri periculoase. Pregătirea pentru expediție și transportul au voie să fie efectuate numai de către personal instruit corespunzător. Întregul proces trebuie asistat în mod competent.

Următoarele puncte trebuie avute în vedere la transportul acumulatorilor:

- Pentru a se evita scurtcircuitele, asigurați-vă de faptul că sunt protejate și izolate contactele.
- Aveți grijă ca pachetul de acumulatori să nu poată aluneca în altă poziție în interiorul ambalajului său.
- Este interzis transportarea unor acumulatori deteriorați sau care pierd lichid.

Pentru indicații suplimentare adresați-vă firmei de expediție și transport cu care colaborați.

CURĂȚARE

Fanțele de aerisire ale mașinii trebuie să fie menținute libere tot timpul

INTREȚINERE

Utilizați numai accesorii și piese de schimb Milwaukee. Dacă unele din componente care nu au fost descrise trebuie înlocuite, vă rugăm contactați unul din agenții de service Milwaukee (vezi lista noastră pentru service / garanți

Dacă este necesar, puteți solicita de la centrul dvs. de service pentru clienți sau direct la Techtronic Industries GmbH, Max-Eyth-Straße 10, 71364 Winnenden, Germania un desen descompus al aparatului prin indicarea tipului de aparat și a numărului cu șase cifre de pe tăblița indicatoare.

SIMBOLURI

	Va rugăm citiți cu atenție instrucțiunile înainte de pornirea mașinii
	PERICOL! AVERTIZARE! ATENȚIE!
	Îndepărtați acumulatorul înainte de începerea lucrului pe mașina
	Purtați întotdeauna ochelari de protecție când utilizați mașina.
	Purtați căști de protecție
	Purtați o mască de protecție corespunzătoare împotriva prafului.
	Purtați mănuși de protecție!
	Accesorii - Nu este inclus în echipamentul standard, disponibil ca accesorii



Deșeurile de baterii, deșeurile de echipamente electrice și electronice nu se elimină ca deșeurii municipale nesortate. Deșeurile de baterii și deșeurile de echipamente electrice și electronice trebuie colectate separat. Deșeurile de baterii, deșeurile de acumulatori și materialele de iluminat trebuie îndepărtate din echipament. Informații-vă de la autoritățile locale sau de la comercianții acreditați în legătură cu centrele de reciclare și de colectare. În conformitate cu reglementările locale retailerii pot fi obligați să colecteze gratuit bateriile uzate și deșeurile de echipamente electrice și electronice. Contribuția dumneavoastră la reutilizarea și reciclarea deșeurilor de baterii și a deșeurilor de echipamente electrice și electronice contribuie la reducerea cererii de materii prime. Deșeurile de baterii și deșeurile de echipamente electrice și electronice conțin materiale reciclabile valoroase, care pot avea un impact negativ asupra mediului și sănătății umane, în cazul în care nu sunt eliminate în mod ecologic. În cazul în care pe echipamente au fost înregistrate date cu caracter personal, acestea trebuie șterse înainte de eliminarea echipamentelor ca deșeurii.

	Turație de mers în gol
	Tensiune
	Curent continuu
	Marcă de conformitate europeană
	Marcaj de conformitate Regatul Unic
	Marcă de conformitate ucraineană
	Marcă de conformitate eurasiatică

ТЕХНИЧКИ ПОДАТОЦИ

	M18 BLDDRC	M18 BLPDRC
Тип на дизајн	Дупчалка на батери	Ударна дупчалка на батери
Производен број	4817 09 01 XXXXXX MJJJJ	4817 46 01 XXXXXX MJJJJ
Напон на батериите	18 V ---	18 V ---
Брзина без оптоварување 1ва брзина	0-550 min ⁻¹	0-550 min ⁻¹
Брзина без оптоварување 2ва брзина	0-1700 min ⁻¹	0-1700 min ⁻¹
Големина на удар, 1ва брзина	–	0-8250 min ⁻¹
Големина на удар, 2ра брзина	–	0-25000 min ⁻¹
Спрега торк	60,5 Nm	60,5 Nm
Капацитет на дупчење во дрво со рамен бит	32 mm	32 mm
со спирален бит	25,4 mm	25,4 mm
со кружна пила	51 mm	51 mm
со кружен бит	1-3/8" (35 mm)	1-3/8" (35 mm)
Капацитет на дупчење во тули и плочки	–	10 mm
Шрафови во дрво (без предходно дупчење)	13 mm	13 mm
Опсег на отворање на бушотина	1,6 – 13 mm	1,6 – 13 mm
Тежина според ЕПТА-процедурата 01/2014 (2.0 Ah ... 12.0 Ah)	1,5 kg...2,8 kg	1,5...2,8 kg
Препорачана температура на околината при работа		-18...+50 °C
Препорачани типови на акумулаторски батери		M18B...; M18HB...
Препорачани полначи		M12-18...; M1418C6

Информации за бучавата: Измерените вредности се одредени согласно стандардот EN 62841.

A-оценетото ниво на бучава на апаратот типично изнесува:

Ниво на звучен притисок. / Несигурност K

Ниво на јачина на звук. / Несигурност K

Носте штитник за уши.

Информации за вибрациите: Вкупни вибрациски вредности (векторски збир на трите насоки) пресметани согласно EN 62841.

Вибрациска емисиона вредност a_h / Несигурност K

Перкусиско дупчење во бетон

Дупчење во метал

Зашрафување

79,32 dB(A) / 3 dB(A)

87,32 dB(A) / 3 dB(A)

90,66 dB(A) / 3 dB(A)

98,66 dB(A) / 3 dB(A)

–

1,64 m/s² / 1,5 m/s²

1,44 m/s² / 1,5 m/s²

8,31 m/s² / 1,5 m/s²

1,64 m/s² / 1,5 m/s²

1,44 m/s² / 1,5 m/s²

⚠ ПРЕДУПРЕДУВАЊЕ!

Нивото на вибрации и емисија на бучава дадени во овој информативен лист се измерени во согласност со стандардизиран метод на тестирање даден во EN 62841 и може да се користат за споредување на еден електричен алат со друг. Тие исто така може да се користат при првична проценка на изложеност.

Наведеното ниво на вибрации и емисија на бучава ја претставува главната примена на алатот. Сепак ако алатот се користи за поинакви примени, со поинаков прибор или лошо се одржува, вибрациите и емисијата на бучава може да се разликуваат. Тоа може значително да го зголеми нивото на изложеност преку целиот работен период.

Проценка на нивото на изложеност на вибрации и бучава треба исто така да се земе предвид кога е исклучен алатот или кога е вклучен, но не врши никаква работа. Тоа може значително да го намали нивото на изложеност преку целиот работен период.

Утврдете дополнителни безбедносни мерки за да се заштити операторот од ефектите на вибрациите и/или бучавата како на пр.: одржувајте го алатот и приборот, рацете нека ви бидат топли, организација на работните шеми.

⚠ ПРЕДУПРЕДУВАЊЕ! Прочитајте ги сите безбедносни упатства, инструкции, илустрации и спецификации за овој електричен алат. Недоследно почитување на подолу наведените упатства може да предизвика електричен удар, пожар и/или сериозни повреди. Сочувајте ги сите безбедносни упатства и инструкции за во иднина.

БЕЗБЕДНОСНИ НАПОМЕНИ ЗА ПЕРКУСИОНИ БОРМАШИНИ

Безбедносни упатства за сите операции

Електричниот алат држете го за изолираните површини, кога вршите операција каде што приборот за сечење или затегнувачите може да дојдат во контакт со скриени жици. Ако приборот за сечење или затегнувачите дојдат во контакт со „жица под напон“ може да ги „направат спроводливи“ металните делови на електричниот алат и да предизвикаат струен удар на операторот.

При работата со перкусионата бормашина носете заштита за ушите. Влијанието на бука може да предизвика губење на сетилото за слух.

Пред почетокот на работата сфатите ја алатката цврсто за рачката. Оваа алатка произведува висок вртежен момент и ако не ја држите цврсто за време на работата, може да ја изгубите контролата и да се повредите.

Безбедносни инструкции при користење на долги вежби за бушење

Никога не ракувајте со поголема брзина од максималната брзина која е одредена за вежбата за бушење. При поголема брзина, вежбата може да се искриви кога се ротира без контакт со работното парче, што може да резултира со лична повреда.

Секогаш започнувајте со мала брзина и додека вежбата е во контакт со работното парче. При поголема брзина, вежбата може да се искриви кога се ротира без контакт со работното парче, што може да резултира со лична повреда.

Секогаш применувајте го притисокот во директна насока со вежбата за бушење и не притискајте премногу напорно. Вежбите за бушење можат да се искриват и да се скршат или да резултираат со губење на контролата над алатката, што може да доведе до лична повреда.

ОСТАНАТИ БЕЗБЕДНОСНИ И РАБОТНИ УПАТСТВА

Употребувајте заштитна опрема. При работа со машината постојано носете заштитни очила. Се препорачува заштитна облека како: маска за заштита од прашина, заштитни ракавици, цврсти чевли што не се лизгаат, кацига и заштитна за уши.

ПРЕДУПРЕДУВАЊЕ За да ја намалите опасноста од повредување при работа со значителна прашина, препорачуваме употреба на решение за вшмукување на прав од Milwaukee според упатството за работа.

Пршината која се создава при користење на овој алат може да биде штетна по здравјето. Не ја вдишувајте. Носете соодветна заштитна маска.

Не смеат да бидат обработувани материјали кои што можат да го зарозат здравјето (на пр. азбест).

Доколку употребуваното орудие се блокира, молиме веднаш да се исклучи апаратот! Не го вклучувајте апаратот повторно додека употребуваното орудие е блокирано; притоа би можело да дојде до повратен удар со висок момент на реакција. Испитајте и отстранете ја причината за блокирањето на употребеното орудие имајќи ги во предвид напомените за безбедност.

Можни причини би можеле да се:

- Закантување во парчето кое што се обработува
- Кршење поради продирање на материјалот кој што се обработува
- Преоптоварување на електричното орудие

Не фаќајте во машината кога работи.

Употребеното орудие за време на примената може да стане многу жешко.

ПРЕДУПРЕДУВАЊЕ! Опасност од изгоретини

- при менување на орудието
- при ставање на апаратот на страна

Прашината и струготините не смеат да се одстрануваат додека е машината работи.

Кога работите на ѕидови, таван или под внимавајте да ги избегнете електричните, гасните и водоводни инсталации.

Обезбедете го предметот кој што го обработувате со направа за напон. Необезбедени парчиња кои што се обработуваат можат да предизвикаат тешки повреди и оштетувања.

Извадете го батериискиот склоп пред отпочнување на каков и да е зафат врз машината.

Не ги оставајте искористените батерии во домашниот отпад и не горете ги. Дистрибутерите на Milwaukee ги собираат старите батерии, со што ја штитат нашата околина.

Не ги чувајте батериите заедно со метални предмети (ризик од краток спој).

Користете исклучиво Систем M18 за полнење на батерии од M18 систем. Не користете батерии од друг систем.

Киселината од оштетените батериите може да истече при екстреман напон или температури. Доколку дојдете во контакт со исатата, измијте се веднаш со сапун и вода. Во случај на контакт со очите плакнете ги убаво најмалку 10 минути и задолжително одете на лекар.

Не вметнувајте го битот кога работи алатката и кога прекинувачот е вклучен, затоа што битот ќе работи може да го повреди корисникот.

Предупредување! За да избегнете опасноста од пожар, од наранувања или од оштетување на производот, коишто ги создава краток спој, не ја потопувајте во течност алатката, заменливата батерија или полначот и пазете во уредите и во батериите да не проникнуваат течности. Корозивни или електроспроводливи течности, како солена вода, одредени хемикалии, избелувачки препарати или производи кои содржат избелувачки супстанции, можат да предизвикаат краток спој.

СПЕЦИФИЦИРАНИ УСЛОВИ НА УПОТРЕБА

M18 BLDDRC: Дупчалката на батерии/шрафцигерот е дизајниран за дупчење и зашрафување, независна употреба далеку од главното напојување.

M18 BLPDRC: Перкусионата дупчалка/шрафцигер со електронска батерија е дизајниран за дупчење, перкусионо дупчење, како и шрафцигер при независна употреба далеку од главното напојување.

Не го користете овој производ на било кој друг начин освен пропишаниот за нормална употреба.

ПРЕОСТАНАТИ РИЗИЦИ

Дури и при уредна употреба на машината, не може да се исклучат сите преостанати ризици. При употребата може да настанат следните опасности, на кои операторот треба особено да внимава:

- Повреди предизвикани како последица на вибрации. Држете ја алатката за рачките предвидени за тоа и ограничете го времето на работа и експозиција.
- Изложеноста на бучава може да доведе до оштетување на слухот. Носете заштита за ушите и ограничете го траењето на експозицијата.
- Честичките нечистотија може да предизвикаат повреди на очите. Секогаш носете заштитни очила, долги пантолони, ракавици и цврсти чевли.

Вдишување токсични прашина.

УПАТСТВА ЗА ЛИТИУМ-ЈОНСКИ БАТЕРИИ

Употреба на литиум-јонски батерии

Батериите кои не биле користени подолго време треба да се наполнат пред употреба.

Температура повисока од 50°C го намалуваат траењето на батериите. Избегнувајте подолго изложување на батериите на високи температури или сонце (ризик од прегревање).

Клемите на полначот и батериите мора да бидат чисти.

За оптимален работен век батериите мора да се наполнат целосно по употреба.

За можно подолг век на траење, апаратите после нивното полнење треба да бидат извадени од апаратот за полнење на батериите.

Во случај на складирање на батеријата подолго од 30 дена: Чувајте ја батеријата на суво место на температура под 27 °C. Акумулаторот да се складира на приближно 30%-50% од состојбата на наполнетост. Акумулаторот повторно да се наполни на секои 6 месеци.

Заштита од преоптоварување на батеријата за литиум-јонски батерии

При преоптеретување на батеријата како резултат на мошне висока потрошувачка на струја, на пример екстремно високи вртежни моменти, заглавување на бургијата, ненадејно стопирање или краток спој, електро-алатот вибрира 5 секунди, приказот за полнење трепка и електро-алатот самостојно се исклучува. За повторно вклучување ослободете го притискачот на прекинувачот, а потоа повторно вклучете. Во случај на екстремни оптоварувања батеријата се загрева премногу. Во таков случај трепкаат сите ламбички од приказот за полнење сè додека батеријата не се излади. По гаснење на приказот за полнење може да се продолжи со работа.

Транспорт на литиум-јонски батерии

Литиум-јонските батерии подлежат на законските одредби за транспорт на опасни материи.

Транспортот на овие батерии мора да се врши согласно локалните, националните и меѓународните прописи и одредби.

- Потрошувачите на овие батерии може да вршат непречен патен транспорт на истите.
- Комерцијалниот транспорт на литиум-јонски батерии од страна на шпедитерски претпријатија подлежат на одредбите за транспорт на опасни материи. Подготовките за шпедиција и транспорт треба да ги вршат исклучиво соодветно обучени лица. Целокупниот процес треба да биде стручно надгледуван.

При транспортот на батерии треба да се внимава на следното:

- Осигурајте се дека контактите се заштитени и изолирани, а сето тоа со цел да се избегнат кратки слоеви.
- Внимавајте да не дојде до изместување на батериите во нивната амбалажа.
- Забранет е транспорт на оштетени или протечени литиум-јонски батерии.

За понатамошни инструкции обратете се до Вашето шпедитерско претпријатие.

ЧИСТЕЊЕ

Вентилациските отвори на машината мора да бидат комплетно отворени постојано.

ОДРЖУВАЊЕ

Користете само Milwaukee додатоци и резервни делови. Доколку некои од компонентите кои не се опишани треба да бидат заменети, Ве молиме контактирајте ги сервисните агенти на Milwaukee (консултирајте ја листата на адреси).

При потреба може да се побара експлозивен цртеж на апаратот со наведување на машинскиот тип и шестоцифрениот број на табличката со учинокот или во Вашата корисничка служба или директно кај Techtronic Industries GmbH, Max-Eyth-Straße 10, 71364 Winnenden, Германија.

СИМБОЛИ

	Ве молиме пред да ја стартувате машината обрнете внимание на упатствата за употреба.
	ВНИМАНИЕ! ПРЕДУПРЕДУВАЊЕ! ОПАСНОСТ!
	Извадете го батериискиот склоп пред отпочнување на каков и да е зафат врз машината.
	Секогаш при користење на машината носете ракавици.
	Носте штитник за уши.
	Не ја вдишувајте. Носете соодветна заштитна маска.
	Носете ракавици!
	Дополнителна опрема - Не е вклучена во стандардната, а достапна е како додаток.



Не отстранувајте ги отпадните батерии, отпадната електрична и електронска опрема како несортиран комунален отпад. Отпадните батерии и отпадната електрична и електронска опрема мора да се собираат посебно.

Отпадните батерии, отпадните акумулатори и отпадните извори на светлина треба да се отстранат од опремата. Проверете кај вашиот локален орган или продавач за совети за рециклирање и место за собирање.

Во зависност од локалните регулативи, трговците на мало може да се обврзани бесплатно да ги преземаат искористените батерии, како и отпадната електрична и електронска опрема.

Вашиот придонес за повторна употреба и рециклирање на отпадните батерии и отпадната електрична и електронска опрема помага да се намали побарувачката на суровини.

Отпадните батерии, посебно оние што содржат литиум, и отпадната електрична и електронска опрема содржат вредни материјали за рециклирање, кои може негативно да влијаат на животната средина и на здравјето на луѓето доколку не се отстранат на еколошки компатибилен начин.

Избришете ги личните податоци од отпадната опрема, доколку ги има.

	Вртежи на празен од
	Напон
	Истосмерна струја
	Европска ознака за сообразност
	Ознака за сообразност на ОК
	Украинска ознака за сообразност
	Евроазиска ознака за сообразност

ТЕХНІЧНІ ХАРАКТЕРИСТИКИ	M18 BLDDRC	M18 BLPDRС
Тип конструкції	Акумуляторний гвинтокрут	Акумуляторний ударний дріль-гвинтокрут
Номер виробу	4817 09 01 XXXXX MJJJ	4817 46 01 XXXXX MJJJ
Напруга акумуляторного блоку	18 V ---	18 V ---
Кількість обертів холостого ходу 1 передача	0-550 min ⁻¹	0-550 min ⁻¹
Кількість обертів холостого ходу 2 передача	0-1700 min ⁻¹	0-1700 min ⁻¹
Кількість ударів на 1-й передачі	—	: 0-8250 min ⁻¹
Кількість ударів на 2-й передачі	—	0-25000 min ⁻¹
Крутильний момент	60,5 Nm	60,5 Nm
Ø свердління деревини із перовим свердлом	32 mm	32 mm
із гвинтовим свердлом	25,4 mm	25,4 mm
із корончатим свердлом	51 mm	51 mm
із самоврізаючим свердлом	1-3/8" (35 mm)	1-3/8" (35 mm)
Ø свердління цегли та силікатної цегли	—	10 mm
Шурупи для деревини	13 mm	13 mm
Ділянка затискання свердлильного патрона	1,6 – 13 mm	1,6 – 13 mm
Вага згідно з процедурою ЕРТА 01/2014	1,5 kg...2,8 kg	1,5...2,8 kg
Рекомендована температура довкілля під час роботи	-18...+50 °C	
Рекомендовані типи акумуляторів	M18B...; M18HB...	
Рекомендовані зарядні пристрої	M12-18...; M1418C6	

Інформація про шум: Вимірні значення визначені згідно з EN 62841.

Рівень шуму „А“ приладу становить в типовому випадку:

Рівень звукового тиску / похибка К

Рівень звукової потужності / похибка К

Використовувати засоби захисту органів слуху!

Інформація щодо вібрації: Сумарні значення вібрації (векторна сума трьох напрямків), встановлені згідно з EN 62841.

Значення вібрації a_h / похибка К

Ударне свердління бетону

Свердління в металі

Пригвинчування

79,32 dB(A) / 3 dB(A)

87,32 dB(A) / 3 dB(A)

—

1,64 m/s² / 1,5 m/s²

1,44 m/s² / 1,5 m/s²

90,66 dB(A) / 3 dB(A)

98,66 dB(A) / 3 dB(A)

—

8,31 m/s² / 1,5 m/s²

1,64 m/s² / 1,5 m/s²

1,44 m/s² / 1,5 m/s²

▲ ПОПЕРЕДЖЕННЯ

Заявлені значення шумового випромінювання, вказані в цьому інформаційному аркуші, було виміряно відповідно до стандартизованого випробування згідно з EN 62841 та можуть використовуватися для порівняння одного інструмента з іншим. Вони також можуть використовуватися для попередньої оцінки рівня впливу на організм.

Вказані значення вібрації та шумового випромінювання дійсні для основних областей застосування інструмента. Якщо інструмент використовується в інших областях застосування чи з іншим приладом або не проходить належне обслуговування, значення вібрації та шумового випромінювання можуть відрізнятись. Це може суттєво збільшити рівень впливу на організм протягом загального періоду роботи.

Під час оцінки рівня впливу вібрації та шумового випромінювання на організм також необхідно враховувати періоди, коли інструмент вимкнено, чи коли він працює, але фактично не використовується для виконання роботи. Це може суттєво знизити рівень впливу на організм протягом загального періоду роботи.

Визначте додаткові заходи для захисту оператора від впливу вібрації та/або шуму, наприклад, обслуговування інструмента та його приладдя, зберігання рук у теплі, організація графіків роботи.

▲ УВАГА! Ознайомитись з усіма попередженнями з безпечного використання, інструкціями, ілюстративним матеріалом та технічними характеристиками, які надаються з цим електричним інструментом. Недотримання всіх наведених нижче інструкцій може призвести до ураження електричним струмом, пожежі та/або важких травм.

Зберігайте всі вказівки з техніки безпеки та інструкції на майбутнє.

ВКАЗІВКИ З ТЕХНІКИ БЕЗПЕКИ ДЛЯ ДРИЛІВ

Інструкції з техніки безпеки для всіх операцій

Тримайте ввімкнутий інструмент лише за ізольовані поверхні для тримання, коли виконуєте операції, під час яких різальна частина або кріплення може скотатуватися з прихованою електропроводкою. Різальна частина або кріплення, що контактує з електропроводкою під напругою, можуть передати напругу на ізольовані металеві частини електроінструменту та спричинити ураження оператора електричним струмом.

Використовуйте засоби захисту органів слуху при ударному

свердлінні. Вплив шуму може спричинити втрату слуху.

Перед початком роботи надійно утримуйте пристрій за допомогою передбаченої для цього ручки. Цей пристрій створює високий крутий момент на вихідному валу, тому який міцно не тримати його під час роботи, можна втратити над ним контроль і отримати пошкодження.

Правила техніки безпеки при використанні довгих свердел

Ніколи не застосовуйте більш високу швидкість, ніж максимальна швидкість, вказана для свердла. На більш високих швидкостях свердло може зігнути, якщо обертається без контакту з оброблюваним виробом, що може призвести до пошкодження.

Завжди починайте роботу на низькій швидкості і коли свердло контактує з оброблюваним виробом. На більш високих швидкостях свердло може зігнути, якщо обертається без контакту з оброблюваним виробом, що може призвести до пошкодження.

Завжди застосовуйте тиск виключно вздовж осі свердла і не натискайте надто сильно. Свердла можуть згинатися і ламатися або призводити до втрати контролю над пристроєм, що в свою чергу також може призвести до пошкоджень.

ДОДАТКОВІ ІНСТРУКЦІ З ТЕХНІКИ БЕЗПЕКИ ТА ЕКСПЛУАТАЦІЇ

Використовуйте індивідуальні засоби захисту. Під час роботи з машиною завжди носіть захисні окуляри. Радимо використовувати захисний одяг, як наприклад маску для захисту від пилу, захисні рукавиці, міцне та нековзне взуття, каску та засоби захисту органів слуху.

ПОПЕРЕДЖЕННЯ Для мінімізації ризиків при роботах з утворенням великої кількості пилу рекомендуємо використовувати пристрій для відсмоктування пилу Milwaukee згідно з інструкцією з експлуатації.

Пил, що утворюється під час роботи, часто буває шкідливим для здоров'я; він не повинен потрапляти в організм. Носіть відповідну маску для захисту від пилу.

Не можна обробляти матеріали, небезпечні для здоров'я (наприклад, азбест).

При блокуванні вставного інструменту негайно вимкніть прилад! Не вмикайте прилад, якщо вставний інструмент заблокований; при цьому може виникати віддача з високим зворотним моментом. Визначити та усунути причину блокування вставного інструменту з урахуванням вказівок з техніки безпеки.

Можливі причини:

- Перекіс в заготовці, що обробляється
- Пробивання оброблюваного матеріалу
- Перевантаження електроінструмента

Частини тіла не повинні потрапляти в машину, коли вона працює.

Вставний інструмент може нагрітися під час роботи.

ПОПЕРЕДЖЕННЯ! Небезпека опіків

- при заміні інструменту
- при відкладанні приладу

Не можна видаляти стружку або уламки, коли машина працює.

Під час роботи на стінах, стелях або підлозі звертайте увагу на електричні кабелі, газові та водопровідні лінії.

Зафіксувати заготовку в затискуному пристрої. Незакріплені заготовки можуть привести до тяжких травм та пошкоджень.

Перед будь-якими роботами на машині вийняти змінну акумуляторну батарею

Відпрацьовані змінні акумуляторні батареї не можна кидати у вогонь або викидати з побутовими відходами. Milwaukee пропонує утилізацію старих змінних акумуляторних батарей, безпечно для довкілля; зверніться до свого дилера.

Не зберігати змінні акумуляторні батареї разом з металевими предметами (небезпека короткого замикання).

Змінні акумуляторні батареї системи M18 заряджати лише зарядними пристроями системи M18. Не заряджати акумуляторні батареї інших систем.

При екстремальному навантаженні або при екстремальній температурі з пошкодженою змінною акумуляторною батареєю може витікати електроліт. При потрапленні електроліту на шкіру його негайно необхідно змити водою з милом. При потрапленні в очі їх необхідно негайно ретельно промити, щонайменше 10 хвилин, та негайно звернутися до лікаря.

Не можна вставляти свердло в інструмент, коли інструмент працює і вимикач знаходиться в заблокованому положенні, оскільки свердло може травмувати користувача.

Попередження! Для запобігання небезпеці пожежі в результаті короткого замикання, травмам і пошкодженню виробів не занурюйте інструмент, змінний акумулятор або зарядний пристрій у рідину і не допускайте потраплення рідини всередину пристроїв або акумуляторів. Корозійні і струмопровідні рідини, такі як солоний розчин, певні хімікати, вибухові засоби або продукти, що їх містять, можуть призвести до короткого замикання.

ВИКОРИСТАННЯ ЗА ПРИЗНАЧЕННЯМ

M18 BLDDRC: Акумуляторний гвинтокрут можна використовувати універсально для свердління та пригвинчування незалежно від мережевого живлення.

M18 BLPDRС: Ударний дріль/гвинтокрут можна використовувати універсально для свердління, ударного свердління, пригвинчування.

Цей прилад можна використовувати тільки за призначенням так, як вказано в цьому документі.

ЗАЛИШКОВІ РИЗИКИ

Навіть при належному використанні не можна виключити всі залишкові ризики. При використанні можуть виникнути такі небезпеки, на які користувач повинен звернути особливу увагу:

- Травми внаслідок вібрації.
- Тримайте прилад за передбачені для цього руків'я і обмежуйте час роботи та експозиції.
- Шумовий вплив може погіршити слух.
- Носіть захисні навушники і обмежуйте тривалість експозиції.
- Травми очей, викликані частинками забруднень.
- Завжди надягайте захисні окуляри, щільні довгі штани, рукавиці і міцне взуття.

Вдихання отруйного пилу.

ВКАЗІВКИ ЩОДО ЛІТІЙ-ІОННИХ АКУМУЛЯТОРІВ

Застосування літій-іонних акумуляторів

Акумуляторну батарею, що не використовувалася тривалий час, перед використанням необхідно підзарядити.

Температура понад 50 °C зменшує потужність акумуляторної батареї. Унікати тривалого нагрівання сонячними променями або системою обігріву.

З'єднувальні контакти зарядного пристрою та змінної акумуляторної батареї повинні бути чистими.

Для забезпечення оптимального строку експлуатації акумуляторні батареї після використання необхідно повністю зарядити.

Для забезпечення максимально можливого терміну експлуатації акумуляторні батареї після зарядки необхідно виймати з зарядного пристрою.

При зберіганні акумуляторної батареї понад 30 днів: Зберігайте акумулятор у сухому місці за температури нижче 27 °C. Зберігати акумуляторну батарею в стані зарядки приблизно 30-50 %.

Кожні 6 місяців знову заряджати акумуляторну батарею.

Захист від перевантаження літій-іонних акумуляторів

У випадку перевантаження акумуляторної батареї внаслідок дуже високого споживання струму, наприклад, надмірно високого крутильного моменту, заклинювання свердла, раптової зупинки або короткого замикання, електроінструмент віорує 5 секунд, індикатор заряду блимає, електроінструмент самостійно вимикається.

Для повторного увімкнення відпустити кнопку вимикача і знов увімкнути. При надмірних навантаженнях акумуляторна батарея сильно перегрівается. В цьому випадку всі лампочки індикатора заряду блимають, доки акумуляторна батарея не охолоне. Можна продовжити роботу після того, як індикатор заряду згасне.

Транспортування літій-іонних акумуляторів

Літій-іонні акумуляторні батареї підпадають під законоположення про перевезення небезпечних вантажів.

Транспортування таких акумуляторних батарей повинно відбуватися із дотриманням місцевих, національних та міжнародних приписів та положень.

- споживачі можуть без проблем транспортувати ці акумуляторні батареї по вулиці.
- Комерційне транспортування літій-іонних акумуляторних батарей експедиторськими компаніями підпадає під положення про транспортування небезпечних вантажів. Підготовку до відправлення та транспортування можуть здійснювати виключно особи, які пройшли відповідне навчання. Весь процес повинні контролювати кваліфіковані фахівці.

При транспортуванні акумуляторних батарей необхідно дотримуватись зазначених далі пунктів:

- Переконайтеся в тому, що контакти захищені та ізольовані, щоб запобігти короткому замиканню.
- Слідуйте за тим, щоб акумуляторна батарея не переміщувалася всередині упакування.
- Пошкоджені акумуляторні батареї, або акумуляторні батареї, що потекли, не можна транспортувати.

Для отримання подальших вказівок звертайтеся до своєї

ЧИЩЕННЯ

Завжди підтримувати чистоту вентиляційних отворів.

ОБСЛУГОВУВАННЯ

Використовувати тільки комплектуючі та запчастини Milwaukee. Деталі, заміна яких не описується, замінювати тільки в відділі обслуговування клієнтів Milwaukee (зверніть увагу на брошуру „Гарантія / адреси сервісних центрів“).

У разі необхідності можна запросити креслення з зображенням вузлів машини в перспективному вигляді, для цього потрібно звернутися в ваш відділ обслуговування клієнтів або безпосередньо в Techtronic Industries GmbH, Max-Eyth-Straße 10, 71364 Winnenden, Німеччина, та вказати тип машини та шестизначний номер на фірмовій табличці з даними машини.

СИМВОЛИ

	Уважно прочитайте інструкцію з експлуатації перед введенням приладу в дію.
	УВАГА! ПОПЕРЕДЖЕННЯ! НЕБЕЗПЕЧНО!
	Перед будь-якими роботами на машині вийняти змінну акумуляторну батарею
	Під час роботи з машиною завжди носити захисні окуляри.
	Використовувати засоби захисту органів слуху!
	Носити відповідну маску для захисту від пилу.
	Носити захисні рукавиці!
	Комплектуючі - не входять в обсяг постачання, рекомендовані доповнення з програми комплектуючих.



Не утилізуйте відпрацьовані батареї й відпрацьоване електричне та електронне обладнання разом з змішаними побутовими відходами. Відпрацьовані батареї, відпрацьоване електричне та електронне обладнання необхідно збирати окремо. Відпрацьовані батареї, відпрацьовані акумулятори, відпрацьовані джерела світла повинні бути вилучені з обладнання. Зверніться до місцевих органів влади або роздрібного продавця за порадою щодо утилізації та пункту збору. Відповідно до місцевих постанов, роздрібні продавці можуть бути зобов'язані безкоштовно забирати назад відпрацьовані акумулятори, електричне та електронне обладнання.

Ваш внесок до повторного вживання та переробки відпрацьованих батарейок і відпрацьованого електричного та електронного обладнання допомагає зменшити попит на сировину. Відпрацьовані батареї, зокрема, що містять літій, і відпрацьоване електричне та електронне обладнання містять цінні матеріали, які можуть бути перероблені, та мають негативний вплив на довкілля й здоров'я людей, якщо не будуть утилізовані у безпечний для довкілля спосіб. Видаліть особисті дані з відпрацьованого обладнання, якщо такі є.

	n_0	Кількість обертів холостого ходу
	V	Напруга
		Постійний струм
		Європейський знак відповідності
		Британський знак відповідності
		Український знак відповідності
		Євразійський знак відповідності

TEHNIČKI PODACI

	M18 BLDDRC	M18 BLPDRC
Tip dizajna	Akumulatorska bušilica	Akumulatorska udarna bušilica
Broj proizvoda	4817 09 01 XXXXXX MJJJJ	4817 46 01 XXXXXX MJJJJ
Napon akumulatora	18 V ---	18 V ---
Broj obrtaja u praznom hodu u 1. brzini	0-550 min ⁻¹	0-550 min ⁻¹
Broj obrtaja u praznom hodu u 2. brzini	0-1700 min ⁻¹	0-1700 min ⁻¹
Broj udaraca u 1. brzini	—	0-8250 min ⁻¹
Broj udaraca u 2. brzini	—	0-25000 min ⁻¹
Obrtni moment	60,5 Nm	60,5 Nm
Ø bušenja u drvetu		
sa bušilicom za ravno drvo	32 mm	32 mm
sa svrdlom za drvo	25,4 mm	25,4 mm
sa testerom za rupe	51 mm	51 mm
sa samobušenjem	1-3/8" (35 mm)	1-3/8" (35 mm)
Ø bušenja u cigli i kamenu od peska i kreča	—	10 mm
Šrafovi za drvo (bez prethodnog bušenja)	13 mm	13 mm
Opseg stezanja glave za bušilicu	1,6 – 13 mm	1,6 – 13 mm
Težina prema EPTA proceduri 01/2014 (2.0 Ah ... 12.0 Ah)	1,5 kg...2,8 kg	1,5...2,8 kg
Preporučena temperatura okoline tokom rada		-18...+50 °C
Preporučeni tipovi baterija		M18B...; M18HB...
Preporučeni punjači		M12-18...; M1418C6

informacije o buci/vibraciji: Izmerene vrednosti u skladu sa EN 62841.

A-ocenjeni nivo buke uređaja tipično iznosi:

Nivo zvučnog pritiska (nesigurnost K=3dB(A))	79,32 dB(A) / 3 dB(A)	90,66 dB(A) / 3 dB(A)
Nivo zvučne snage (nesigurnost K=3dB(A))	87,32 dB(A) / 3 dB(A)	98,66 dB(A) / 3 dB(A)

Nosite zaštitu za uši!

Informacije o vibracijama: Ukupne vrednosti vibracija (vektorski zbir triju pravaca) u skladu sa EN 62841.

Vrednost emisije vibracija a_h / nesigurnost K

Udarno bušenje u beton	—	8,31 m/s ² / 1,5m/s ²
Bušenje metala	1,64 m/s ² / 1,5 m/s ²	1,64 m/s ² / 1,5m/s ²
Šrafovi	1,44 m/s ² / 1,5m/s ²	1,44 m/s ² / 1,5 m/s ²

UPOZORENJE!

Navedene ukupne vrednosti vibracija i vrednosti emisije buke merene su primenom standardizovane metode merenja u skladu sa EN 62841 i mogu da se koriste za upoređivanje električnih alata jedan sa drugim. Može da se koristi za preliminarnu procenu opterećenja.

Navedeni nivo emisije vibracija i buke predstavlja glavnu primenu električnog alata. Međutim, ako se električni alat koristi za druge primene, sa različitim alatima koje koristite ili nedovoljnim održavanjem, emisije vibracija i buke mogu da se razlikuju. Ovo može značajno da poveća njihov efekat tokom celog radnog perioda.

Prilikom procene opterećenja vibracija i buke, takođe treba uzeti u obzir vreme kada je električni alat isključen ili kada radi, ali ne obavljajući nikakav stvarni posao. Ovo može značajno da smanji njihov efekat tokom celog radnog perioda.

Uspostavite dodatne bezbednosne mere za zaštitu korisnika od uticaja vibracija i/ili buke, kao npr.: Održavanje alata i dodatne opreme, održavanje toplote ruku, organizacija radnih procesa.

UPOZORENJE! Pročitajte sva bezbednosna upozorenja, uputstva, ilustracije i specifikacije za ovaj električni alat. Nepridržavanje dole navedenih uputstava može da dovede do strujnog udara, požara i/ili ozbiljnih povreda. **Sačuvajte sva bezbednosna uputstva i instrukcije za buduću upotrebu.**

BEZBEDNOSNA UPUTSTVA ZA BUŠILICE:**Bezbednosna uputstva za sve radove**

Nosite zaštitu za sluh prilikom udarnog bušenja. Izloženost buci može izazvati gubitak sluha.

Dobro poduprite električni alat pre upotrebe. Ovaj električni alat proizvodi visok obrtni moment. Neuspeh da bezbedno oslonite električni alat tokom rada može dovesti do ozbiljnog gubitka kontrole i ličnih povreda.

Držite električni alat za izolovane hvatne površine kada izvodite radove gde alat koji koristite može da udari u skrivene električne vodove.

Kontakt sa kablom pod naponom može da stavi pod napon metalne delove uređaja i može da dovede do strujnog udara.

Bezbednosna uputstva za korišćenje dugih burgija

Nikada ne koristite veći broj obrtaja od maksimalnog broja obrtaja navedenog za nastavak za bušenje. Pri većim brzinama, nastavak za bušenje može se savijati ako se okreće bez kontakta sa radnim predmetom, što može dovesti do povrede.

Uvek počnite sa niskim brojem obrtaja i dok je nastavak za bušenje u kontaktu sa radnim predmetom. Pri većim brzinama, nastavak za bušenje može da se savije ako se okreće bez kontakta sa radnim predmetom, što može dovesti do povrede.

Uvek vršite pritisak u direktnoj liniji sa nastavkom za bušenje i ne pritisakajte previše. Burgije mogu da se saviju i slome ili da dovedu do gubitka kontrole nad alatom, što zauzvrat može da dovede do povreda.

DALJA UPUTSTVA ZA BEZBEDNOST I RAD

Koristite zaštitnu opremu. Uvek nosite zaštitne naočare kada radite sa mašinom. Preporučuje se zaštitna odeća kao što su maska za zaštitu od prašinu, zaštitne rukavice, čvrste i neklizajuće cipele, šlem i zaštita za uši.

UPOZORENJE Da biste smanjili rizik od povreda pri radu sa značajnim količinama prašine, preporučujemo upotrebu Milwaukee

usisivača prašine u skladu sa uputstvima.

Prašina koja se stvara tokom rada često je štetna po zdravlje i ne bi trebalo da dospeje u telo. Nosite odgovarajuću masku za zaštitu od prašine.

Ne smeju da se prerađuju materijali koji predstavljaju opasnost po zdravlje (npr. azbest).

Ako je alat koji koristite blokiran, odmah isključite uređaj! Nemojte ponovo uključivati uređaj dok je alat koji koristite blokiran; ovo može dovesti do povratnog udara sa velikim reakcionim momentom. Utvrdite i otklonite uzrok blokiranja alata koji koristite, uzimajući u obzir bezbednosna uputstva.

Mogući uzroci za ovo mogu biti:

- Naginjanje u radnom predmetu koji se obrađuje
- Probijanje kroz materijal koji se obrađuje
- Preopterećenje električnog alata

Ne posežite u mašinu koja radi.

Alat koji koristite može da se zagreje tokom upotrebe.

UPOZORENJE! Opasnost od opekotina

- prilikom promene alata
- kada odlažete uređaj

Strugotine ili krotine se ne smeju uklanjati dok mašina radi.

Kada radite na zidovima, plafonima ili podovima, obratite pažnju na električne kablove, gasne i vodovodne cevi.

Obezbedite radni predmet pomoću uređaja za stezanje. Radni predmeti koji nisu obezbeđeni mogu da izazovu ozbiljne povrede i oštećenja.

Pre bilo kakvog rada na mašini, uklonite zamenljivu bateriju

Ne bacajte iskorišćene zamenjive baterije u vatra ili kućni otpad. Kompanija Milwaukee nudi ekološki prihvatljivu zamenu starih baterija; pitajte svog prodavca.

Ne skladištite zamenjive baterije zajedno sa metalnim predmetima (opasnost od kratkog spoja).

Punite zamenjive baterije sistema M18 samo sa punjačima M18 sistema. Ne punite baterije iz drugih sistema.

Tečnost za baterije može da curi iz oštećenih baterija pod ekstremnim opterećenjima ili ekstremnim temperaturama. Ako dođete u kontakt sa tečnošću baterije, odmah je isperite sapunom i vodom. U slučaju kontakta sa očima, odmah temeljno isperite najmanje 10 minuta i odmah se obratite lekaru.

Nemojte umetati bit kada mašina radi i okidač prekidača je zaključan, jer će bit nastaviti da se okreće i može da povredi korisnika.

Upozorenje! Da biste smanjili rizik od požara, ličnih povreda ili oštećenja proizvoda uzrokovanih kratkim spojem, nemojte uranjati alat, zamenjivu bateriju ili punjač u tečnost i uverite se da tečnost ne uđe u alate ili baterije. Korozivne ili provodljive tečnosti, kao što su slana voda, određene hemikalije i izbeljivač ili proizvodi koji sadrže izbeljivač, mogu da izazovu kratak spoj.

NAMENSKA UPOTREBA

M18 BLDDRC: Akumulatorska bušilica se može univerzalno koristiti za bušenje i uvrtnje šrafa, nezavisno od mrežnog priključka.

M18 BLPDRC: Akumulatorska elektronska bušilica može se univerzalno koristiti za bušenje, udarno bušenje i uvrtnje šrafa nezavisno od mrežnog priključka.

Ovaj uređaj se može koristiti samo onako kako je naznačeno za njegovu namenu.

PREOSTALI RIZICI

Čak i ako se proizvod pravilno koristi, preostali rizici se ne mogu u potpunosti isključiti. Tokom upotrebe mogu se pojaviti sledeći rizici, tako da korisnik treba da bude svestan sledećeg:

- Povrede uzrokovane vibracijama. Držite uređaj za predviđene ručke i ograničite vreme rada i izloženosti.
- Izloženost buci može da izazove oštećenje sluha. Nosite zaštitu za sluh i ograničite vreme izloženosti.
- Povrede oka uzrokovane česticama prljavštine.

Uvek nosite zaštitne naočare, otporne dugačke pantalone i čvrste cipele.

- Udisanje toksične prašine.

UPUTSTVA ZA LITIJUM-JONSKE BATERIJE

Upotreba litijum-jonskih baterija

Pre upotrebe napunite baterije koje nisu korišćene duže vreme.

Temperatura iznad 50°C smanjuje snagu baterije. Izbegavajte produženo izlaganje suncu ili grejanju.

Održavajte kontakte za priključivanje na punjaču i bateriji čistima.

Za optimalan radni vek, baterije moraju potpuno da se napune nakon upotrebe.

Da bi se obezbedio najduži mogući životni vek, baterije treba da se izvade iz punjača nakon punjenja.

Pri skladištenju baterije duže od 30 dana:

Čuvajte bateriju na suvom mestu na temperaturi ispod 27 °C.

Čuvajte bateriju na oko 30% -50% stanja napunjenosti.

Punite bateriju ponovno svakih 6 meseci.

Zaštita od preopterećenja baterija za litijum-jonske baterije

Ako je baterija preopterećena zbog veoma velike potrošnje energije, npr. izuzetno velikog obrtnog momenta, zaglavljivanja bušilice, iznenadnog zaustavljanja ili kratkog spoja, električni alat vibrira 5 sekundi, indikator punjenja treperi i električni alat se sam isključuje. Da biste ga ponovo uključili, otpustite okidač prekidača, a zatim ga ponovo uključite.

Baterija se previše zagreva pod ekstremnim opterećenjima. U tom slučaju, sve lampice indikatora napunjenosti trepu dok se baterija ne ohladi. Možete da nastavite sa radom nakon što se indikator punjenja ugasi.

PREVOZ LITIJUM-JONSKIH BATERIJA

Litijum-jonske baterije spadaju pod zakonske odredbe o transportu opasnih materija.

Ove baterije moraju da se transportuju u skladu sa lokalnim, nacionalnim i međunarodnim propisima i odredbama.

- Potrošači mogu slobodno da transportuju ove baterije na putu.
- Komercijalni transport litijum-jonskih baterija od strane špediterskih kompanija podleže propisima za prevoz opasnih materija. Pripreme za otpremu i transport smeju da obavljaju samo odgovarajuće obučene osobe. Ceo proces mora da bude profesionalno praćen.

Prilikom transporta baterija morate da obratite pažnju na sledeće tačke:

- Uverite se da su kontakti zaštićeni i izolovani da bi sprečili kratke spojeve.
- Vodite računa da baterija ne može da sklizne unutar pakovanja.
- Oštećene baterije ili baterije koje cure ne smeju da se transportuju.

Kontaktirajte svoju špeditersku kompaniju za više informacija.

ČIŠĆENJE

Uvek održavajte otvore za ventilaciju mašine čistima.

ODRŽAVANJE

Koristite samo dodatnu opremu i rezervne delove kompanije Milwaukee. Delove koji nisu opisani za zamenu treba zameniti u servisnom centru kompanije Milwaukee (pogledajte brošuru Garancija/Adrese korisničkog servisa).

Ako je potrebno, znak za eksploziju uređaja se može zatražiti od Vašeg centra za korisničku podršku ili direktno od kompanije Techtron Industries GmbH, -Eyth-Straße 10, 71364 Winnenden, Germany, navodeći tip mašine i šestocifreni broj na natpisnoj pločici.

SIMBOLI

	Pažljivo pročitajte uputstvo za upotrebu pre korišćenja.
	PAŽNJA! UPOZORENJE! OPASNOST!
	Pre bilo kakvog rada na mašini, uklonite zamenljivu bateriju
	Uvek nosite zaštitne naočare kada radite sa mašinom.
	Nosite zaštitu za uši!
	Nosite odgovarajuću masku za zaštitu od prašine.
	Nosite zaštitne rukavice!
	Dodatna oprema - Nije uključena u obim isporuke, preporučeni dodatak iz asortimana dodatne opreme.
	Stare baterije, stari električni i elektronski uređaji se ne smeju odlagati sa kućnim otpadom. Stare baterije, stari električni i elektronski uređaji moraju da se posebno sakupljaju i odlažu. Uklonite stare baterije, akumulatore i sijalice iz uređaja pre odlaganja. Pitajte lokalne vlasti ili svog prodavca o centrima za reciklažu i sabirnim mestima. U zavisnosti od lokalnih propisa, od prodavaca može da se zahteva da besplatno preuzmu stare baterije i stare električne i elektronske uređaje. Pomožite da smanjite potrebu za sirovinama tako što ćete ponovo da koristite i recikirate svoje stare baterije, stare električne i elektronske uređaje. Stare baterije (posebno litijum-jonske), stari električni i elektronski uređaji sadrže vredne materijale koji mogu da se recikliraju i koji, ako se ne odlažu na ekološki odgovoran način, mogu imati negativan uticaj na životnu sredinu i Vaše zdravlje. Pre odlaganja, izbršite sve lične podatke koji možda postoje na Vašem starom uređaju.
n_0	Broj obrtaja u praznom hodu
V	Napon
	Jednosmerna struja
	Evropska oznaka usaglašenosti
	Britanski znak usaglašenosti
	Ukrajinski znak usklađenosti
001	



Evroazijski znak usaglašenosti.

SPECIFIKIMET TEKNIKE	M18 BLDDRC	M18 BLPDRC
Lloji i projektit	Vidator me bateri	Shpues elektrik me bateri
Numri i produktit	4817 09 01 XXXXXX MJJJJ	4817 46 01 XXXXXX MJJJJ
Tensioni i baterive	18 V ---	18 V ---
Shpejtësia boshe e rrotullimit në 1. Ingranazh	0-550 min ⁻¹	0-550 min ⁻¹
Shpejtësia boshe e rrotullimit në 2. Ingranazh	0-1700 min ⁻¹	0-1700 min ⁻¹
Numri i goditjeve në 1. Ingranazh	-	: 0-8250 min ⁻¹
Numri i goditjeve në 2. Ingranazh	-	0-25000 min ⁻¹
Çift rrotullues	60,5 Nm	60,5 Nm
Shpimi ø në dru		
me shpuese druri të sheshtë	32 mm	32 mm
me shpuese druri t	25,4 mm	25,4 mm
me vrima sharre	51 mm	51 mm
me vetë shpim	1-3/8" (35 mm)	1-3/8" (35 mm)
Shpimi ø në tulla dhe tulla rërë-gëlqere	-	10 mm
Vida druri (pa shpime paraprake)	13 mm	13 mm
Gama e shtrëngimit të puntos	1,6 – 13 mm	1,6 – 13 mm
Pesha sipas procedurës EPTA 01/2014 (2.0 Ah ... 12.0 Ah)	1,5 kg...2,8 kg	1,5...2,8 kg
Temperatura e rekomanduar e ambientit gjatë punës		-18...+50 °C
Llojet e rekomanduara të baterive		M18B...; M18HB...
Karikuesit e rekomanduar		M12-18...; M1418C6
Informacion mbi zhurmën/dridhjet: Vlerat e matura të përcaktuara sipas EN 62841.		
Niveli i ponderuar i zhurmës A i pajisjes është zakonisht:		
Niveli i shtypjes së zhurmës (pasiguria K=3dB(A))	79,32 dB(A) / 3 dB(A)	90,66 dB(A) / 3 dB(A)
Niveli i fuqisë së zërit (pasiguria K=3dB(A))	87,32 dB(A) / 3 dB(A)	98,66 dB(A) / 3 dB(A)
Vendosni mbrojtëse për veshët!		
Informacion mbi dridhjet: Vlerat totale të dridhjeve (shuma vektoriale e tre drejtimeve) të përcaktuara sipas EN 62841.		
Vlera e emetimit të dridhjeve a _h /pasiguria K		
Shpimi me goditje në beton	-	8,31 m/s ² / 1,5m/s ²
Shpimi në metal	1,64 m/s ² / 1,5 m/s ²	1,64 m/s ² / 1,5m/s ²
Vida	1,44 m/s ² / 1,5m/s ²	1,44 m/s ² / 1,5 m/s ²

▲ PARALAJMËRIM!

Vlerat totale të specifikuara të dridhjeve dhe vlerat e emetimit të zhurmës janë matur duke përdorur një metodë matëse të standardizuar në përputhje me EN 62841 dhe mund të përdoren për të krahasuar veglat e energjisë me njëra-tjetrën. Mund të përdoret për një vlerësim paraprak të ekspozimit.

Niveli i specifikuar i dridhjeve dhe emetimit të zhurmës përfaqëson përdorimet kryesore të pajisjes elektrike. Megjithatë, nëse mjetei elektrik përdoret për aplikime të tjera, me mjete të ndryshme shitesë ose mirëmbajtje të pamjaftueshme, emetimet e dridhjeve dhe zhurmës mund të ndryshojnë. Kjo mund të rrisë ndjeshëm efektin e tyre gjatë gjithë periudhës së punës.

Kur vlerësohet ekspozimi ndaj dridhjeve dhe zhurmës, duhet të merret parasysh edhe koha kur mjetei elektrik është i fikur ose kur është në punë, nuk është bërë asnjë punë konkrete. Kjo mund të zvogëlojë ndjeshëm efektin e tyre gjatë gjithë periudhës së punës.

Vendosni masa shtesë sigurie për të mbrojtur përdoruesin nga efektet e dridhjeve dhe/ose zhurmës, të tilla si: p.sh.: Mirëmbajtja e mjeteve dhe aksesorëve, mbajtja e duarve të ngrohta, organizimi i proceseve të punës.

▲ **KUJDES!** Lexoni të gjitha paralajmërimet e sigurisë, udhëzimet, ilustrimet dhe specifikimet për këtë vegël elektrike. Mosndjekja e udhëzimeve të mëposhtme mund të rezultojë në goditje elektrike, zjarr dhe/ose lëndim serioz. **Mbani të gjitha paralajmërimet dhe udhëzimet e sigurisë për referencë në të ardhmen.**

UDHËZIME SIGURIE PËR MAKINERITË SHPUESË:

Udhëzime sigurie për të gjitha punët

Përdorni mbrojtje për dëgjimin gjatë shpimit Ekspozimi ndaj zhurmës mund të shkaktojë humbje të dëgjimit.

Mbështetni mirë mjetin elektrik përpara përdorimit. Ky mjet elektrik prodhon çift rrotullues të lartë. Mosmbështetja e sigurt e veglës elektrike gjatë funksionimit mund të rezultojë në humbje të rëndë të kontrollit dhe lëndime personale.

Mbajeni mjetin elektrik tek sipërfaqet e izoluar të kapjes kur kryeni punë, sepse aksesorë për vegla mund të godasë linjat e fshehura të energjisë.

Kontakti me një linjë përcuese të tensionit mund të bëjë që pjesët

metalike të veglës elektrike të përcjellin tensionin elektrik dhe do të rezultojë në goditje elektrike.

Udhëzime sigurie kur përdorni vida të gjata

Asnjëherë mos përdorni një shpejtësi më të madhe se shpejtësia maksimale e specifikuar për pjesën e shpimit. Në shpejtësi më të larta, pjesa e shpimit mund të përkulet në rrotullohet pa kontakt me pjesën përpunuese, gjë që mund të çojë në lëndim.

Niseni gjithmonë me shpejtësi të ulët dhe me shpuesin në kontakt me pjesën e përpunuese. Në shpejtësi më të larta, pjesa e shpimit mund të përkulet në rrotullohet pa kontakt me pjesën përpunuese, gjë që mund të çojë në lëndim.

Gjithmonë ushtroni presion në vijë të drejtë me shpuesin dhe mos e shtypni shumë fort. Pjesët e shpimit mund të përkulen dhe të thyhen ose të rezultojnë në humbjen e kontrollit të mjetit, gjë që nga ana tjetër mund të rezultojë në dëmtim personal.

INSTRUKSIONE SHITESË PËR SIGURINË DHE PUNËN

Përdorni pajisje mbrojtëse. Mbani gjithmonë syze mbrojtëse kur punoni me makinerinë. Rekomandohen veshje mbrojtëse si maskë pluhuri, doreza mbrojtëse, këpucë të forta që nuk rrëshqasin, helmë dhe mbrojtje dëgjimi.

PARALAJMËRIM Për të reduktuar rrezikun e lëndimit kur punoni me një sasi të konsiderueshme pluhuri, e rekomandojmë përdorimin e një nxjerrëse pluhuri Milwaukee në përputhje me udhëzimet.

Pluhuri i krijuar gjatë punës shpesh është i dëmshëm për shëndetin dhe nuk duhet të futet në trup. Vishni një maskë të përshtatshme kundër pluhurit.

Nuk mund të përpunohen materiale që paraqesin rrezik për shëndetin (p.sh. asbest).

Nëse aksesorë për veglat bllokohen, ju lutemi fikeni pajisjen menjëherë! Mos e rindizni pajisjen kur aksesorë për veglat është i bllokuar; kjo mund të rezultojë në kthim prapa me një moment reagimi të lartë. Përcaktioni dhe eliminoni shkaku e bllokimit të aksesorit për veglat, duke marrë parasysh udhëzimet e sigurisë.

Shkaqet e mundshme për këtë mund të jenë:

- Pjerrësia në copën e punës që do të përpunohet
- Copëtimi i materialit që do të përpunohet
- Mbingarkimi i veglës elektrike

Mos e preki makinerinë që funksionon.

Aksesorë për veglat mund të nxehet gjatë përdorimit. PARALAJMËRIM! Rrezik dëgjieje

- gjatë ndërrimit të mjetit
- kur e vendosni pajisjen poshtë

Pjesëzat ose copëzat nuk duhet të hiqen gjatë kohës që makina është në punë.

Kujdes nga kabllo elektrike, tubat e gazit dhe të ujit kur punoni në mure, tavane ose dyshe.

Siguroni pjesën e përpunuar me një pajisje shtrënguese. Pjesët e përpunuara, që nuk janë të siguruar mund të shkaktojnë lëndime dhe dëmtime serioze.

Përpara se të filloni ndonjë punë në makineri, hiqni baterinë e këmbyeshme.

Mos i hidhni bateritë e përdorura të shkëmbyeshme në zjarr ose mbeturina shtëpiake. Milwaukee ofron zëvendësim të vjetër të baterive miqësore me mjedisin; ju lutem pyesni shitësin tuaj.

Mos ruani bateritë e zëvendësueshme së bashku me objekte metalike (reziku i qarkut të shkurtër).

Bateritë e zëvendësueshme të sistemit M18 nur mit Ladegeräten des Systems M18 karikim. Mos karikoni bateritë nga sisteme të tjera.

Lëngu i baterisë mund të rrjedhë nga akumulatorët e dëmtuara nën ngarkesa ekstreme ose temperatura ekstreme. Nëse bini në kontakt me lëngun e baterisë, lajeni menjëherë me sapun dhe ujë. Në rast kontakti me sy, shpëlajeni menjëherë tërësisht për të paktën 10 minuta dhe këshillohuni menjëherë me mjekun.

Mos futni bitin kur makineria është në punë dhe këmbëza e çelësit është e bllokuar, pasi biti do të vazhdojë të rrotullohet dhe mund të dëmtojë përdoruesin.

Paralajmërim! Për të zvogëluar rrezikun e zjarrit, lëndimit personal ose dëmtimit të produktit të shkakuar nga një qark i shkurtër, mos e zhytni mjetin, baterinë e lëvizshme ose karikuesin në lëng dhe sigurohuni që asnjë lëng të mos hyjë në vegla ose bateri. Lëngjet gërryese ose përcuese, të tilla si uji i kripur, kimikate të caktuara dhe zbardhues ose produkte që përmbajnë zbardhues, mund të shkaktojnë një qark të shkurtër.

PËRDORIMI I PËRCAKTUAR

M18 BLDDRC: Trapani elektrik me bateri mund të përdoret në mënyrë universale për shpime dhe vidhosje, pavarësisht nga një lidhje elektrike.

M18 BLPDRC: Shpueselektrik me bateri mund të përdoret në mënyrë universale për shpime, shpim me goditje dhe vidhosje, pavarësisht nga një lidhje me rrjetin.

Kjo pajisje mund të përdoret vetëm për qëllimin e saj të synuar siç

specifikohet.

RREZIQET E VAZHUESHME

Edhe nëse produkti përdoret siç duhet, rreziqet e mbetura nuk mund të përjashtohen plotësisht. Gjatë përdorimit mund të ndodhin rreziqet e mëposhtme, ndaj përdoruesi duhet të jetë i vetëdijshëm për sa vijon:

- Lëndimet e shkaktuara nga dridhjet. Mbajeni pajisjen nga dorezat e ofruara dhe kufizoni kohën e punës dhe ekspozimit.
- Ekspozimi ndaj zhurmës mund të shkaktojë dëmtim të dëgjimit. Përdorni mbrojtje për dëgjimin dhe kufizoni kohën e ekspozimit.
- Lëndimet e syve të shkaktuara nga grimcat e papastërive. Mbani gjithmonë syze mbrojtëse, pantallona të gjata dhe këpucë të forta.
- Thithja e pluhurave toksike.

SHËNIME MBI BATERITË LI-ION

Përdorimi i baterive Li-Ion

Rimbushni bateritë që nuk janë përdorur për një kohë të gjatë përpara përdorimit.

Një temperaturë mbi 50°C redukton performancën e baterisë. Shmangni ekspozimin e zgjatur ndaj diellit ose nxehtësisë.

Mbani të pastra kontaktet e lidhjes në karikues dhe bateri.

Për një jetëgjatësi optimale, bateritë duhet të ngarkohen plotësisht pas përdorimit.

Për të siguruar jetëgjatësinë më të gjatë të mundshme, bateritë duhet të hiqen nga karikuesi pas karikimit.

Kur e ruani baterinë për më shumë se 30 ditë: Ruajeni baterinë në një vend të thatë në një temperaturë nën 27 °C. Ruajeni baterinë në përafërsisht 30%-50% të gjendjes së karikimit. Rimbushni baterinë çdo 6 muaj.

Mbrojtje nga mbingarkesa e baterive për bateritë Li-Ion

Nëse bateria është e mbingarkuar për shkak të konsumit shumë të lartë të energjisë, p.sh. çift rrotullues me fuqi jashtëzakonisht të lartë ndalim i papritur ose qark i shkurtër, mjetei elektrik dridhet për 5 sekonda, treguesi i ngarkimit pulson dhe mjetei elektrik fiket vetë. Për ta ndezur sërish, lëshoni këmbëzën e çelësit dhe më pas ndizeni sërish.

Bateria nxehet shumë gjatë ngarkesave ekstreme. Në këtë rast, të gjitha llambat e treguesit të karikimit pulsojnë derisa bateria të ftohet. Mund të vazhdoni të punoni pasi treguesi i karikimit të jetë fikur.

TRANSPORTI I BATERIVE LITIU-JON

Bateritë litium-jon janë nën dispozitat ligjore për transportin e mallrave të rrezikshme.

Këto bateri duhet të transportohen në përputhje me kodet dhe rregulloret lokale, kombëtare dhe ndërkombëtare.

- Konsumatorët janë të lirë t'i transportojnë këto bateri në rrugë.
- Transporti tregtar i baterive litium-jon nga kompanitë e transportit të mallrave i nënshtrohet rregulloreve për transportin e mallrave të rrezikshme. Përgatitjet për dërgim dhe transport mund të kryhen vetëm nga persona të trajnuar siç duhet. I gjithë procesi duhet të shoqërohet në mënyrë profesionale.

Gjatë transportimit të baterive duhet të respektohen pikat e mëposhtme:

- Sigurohuni që kontaktet të jenë të mbrojtura dhe të izoluar për të parandaluar qarqet e shkurtra.
- Sigurohuni që paketa e baterisë të mos rrëshqasë brenda paketimit.
- Bateritë e dëmtuara ose që rrjedhin nuk duhet të transportohen.

Kontakttoni kompaninë tuaj të transportit për më shumë informacion.

MIRËMBAJTJA

Mbani gjithmonë të pastra vrimat e ventilimit të makinerisë.

MIRËMBAJTJA

Përdorni vetëm pjesë shtesë dhe pjesë këmbimi të Milwaukee. Kërkojini një qendër të shërbimit Milwaukee të zëvendësojë çdo pjesë që nuk është përshkruar për zëvendësim (referojuni Broshurës së Garancisë/Shërbimit).

Nëse kërkohet, një skicë e pajisjes mund të kërkohet nga qendra tuaj e shërbimit ndaj klientit ose direkt nga Techtronic Industries GmbH, -Eyth-Straße 10, 71364 Winnenden, Gjermani, duke treguar llojin e makinerisë dhe numrin gjashtëshifror në targën e karakteristikave.

SIMBOLE

	Ju lutemi lexoni me kujdes udhëzimet për përdorim përpara përdorimit.
	KUJDES! PARALAJMËRIM! RREZIK!
	Përpara se të filloni ndonjë punë në makineri, hiqni baterinë e këmbyeshme.
	Mbani gjithmonë syze mbrojtëse kur punoni me makinerinë.
	Vendosni mbrojtëse për veshët!
	Vishni një maskë të përshtatshme kundër pluhurit.
	Vishni doreza mbrojtëse!
	Aksesorë - Nuk përshihen gjatë dorëzimit, suplement i rekomanduar nga gama e aksesorëve.
	Bateritë e mvjetrabetura, pajisjet elektrike dhe elektronike nuk duhet të hidhen me mbeturinat shtëpiake. Bateritë e vjetra, pajisjet elektrike dhe elektronike duhet të mblidhen dhe asgjësohen veçmas. Bateritë e vjetra, pajisjet e vjetra elektrike dhe elektronike duhet të mblidhen dhe asgjësohen veçmas. Pyesni autoritetet lokale ose shitësin tuaj për qendrat e riciklimit dhe pikat e grumbullimit. Në varësi të rregulloreve lokale, shitësve me pakicë mund t'u kërkohet të marrin pa pagesë bateritë e përdorura dhe WEEE. Ndihmoni në reduktimin e nevojës për lëndë të para duke ripërdorur dhe ricikluar bateritë tuaja të vjetra dhe WEEE. Bateritë e mbeturinave (veçanërisht bateritë litium-jon), pajisjet elektrike dhe elektronike përbajnë materiale të vlefshme, të riciklueshme, të cilat, nëse nuk hidhen në një mënyrë të përgjegjshme për mjedisin, mund të kenë një ndikim negativ në mjedis dhe në shëndetin tuaj. Fshini çdo të dhënë personale që mund të jetë në pajisjen tuaj të vjetër përpara se ta hidhni.

n_0	Shpejtësia boshe e rrotullimit
V	Tensioni
	Rrymë e vazhdueshme
	Shenja e konformitetit europian
	Marka Britanike e Konformitetit
	Shenja e konformitetit ukrainas
001	
	Marka e Konformitetit Euroaziatik.

KOMFORT

زومرلا

	يرجى قراءة التعليمات بعناية قبل بدء تشغيل الجهاز.
	تنبيه! تحذير! خطر!
	قم بإزالة حزمة البطارية قبل البدء في أي أعمال على الجهاز.
	ارتد دائماً نظارات الوقاية عند استخدام الجهاز.
	ارتد واقيات الأذن!
	لا تستنشق هذه الأتربة. ارتد قناعاً واقياً من الأتربة مناسباً.
	ارتد القفازات!
	الملحق - ليس مدرجاً كمعدة قياسية، متوفر كملحق.
	يحظر التخلص من البطاريات القديمة والأجهزة الكهربائية والإلكترونية القديمة سوياً مع القمامة المنزلية. يجب جمع البطاريات القديمة والأجهزة الكهربائية والإلكترونية القديمة والتخلص منها بشكل منفصل. أنزع البطاريات القديمة والمراكم القديمة والمصابيح من الأجهزة قبل التخلص منها. الرجاء الاستفسار لدى الجهات الرسمية في المكان أو لدى التجار المتخصصين عن مواقع إعادة الاستغلال ومواقع الجمع وفقاً للوائح المحلية، قد يُطلب من تجار التجزئة استعادة البطاريات القديمة والأجهزة الكهربائية والإلكترونية القديمة مجاناً. ساهم في الحد من الحاجة إلى المواد الخام عن طريق إعادة استخدام البطاريات القديمة والأجهزة الكهربائية والإلكترونية القديمة الخاصة بك وإعادة تدويرها. تحتوي البطاريات القديمة (وعلى الأخص بطاريات أيون الليثيوم) والأجهزة الكهربائية والإلكترونية القديمة على مواد قيمة وقابلة لإعادة التدوير يمكن أن يكون لها آثار سلبية على البيئة وصحتك في حالة عدم التخلص منها على نحو يتماشى مع البيئة. قبل التخلص قم بمحو البيانات الشخصية التي قد تكون على جهازك القديم.
n_0	سرعة الدوران
V	الجهد الكهربائي
	التيار المستمر
	علامة التوافق الأوروبية
	علامة الملائمة البريطانية
	علامة التوافق الأوكرانية
001	
	علامة التوافق الأوروبية الآسيوية

البيانات الفنية	M18 BLDDRC	M18 BLPDRC
الطرز	مقرب/مقرب لاسلكي	مقرب/مقرب الحفر الدقاق اللاسلكي
إنتاج عدد	4817 09 01 XXXXXX MJJJJ	4817 46 01 XXXXXX MJJJJ
جهد مجموعة البطارية	18 V ---	18 V ---
السرعة في حالة عدم وجود حمل، الترس الأول	0-550 min ⁻¹	0-550 min ⁻¹
السرعة في حالة عدم وجود حمل، الترس الأول	0-1700 min ⁻¹	0-1700 min ⁻¹
معدل التصادم	–	: 0-8250 min ⁻¹
معدل التصادم	–	0-25000 min ⁻¹
العزم	60,5 Nm	60,5 Nm
قدرة الحفر في الخشب اللين	32 mm	32 mm
مع نصلة مستوية	25,4 mm	25,4 mm
مع نصلة الثقب	51 mm	51 mm
مع منشار ثقب	1-3/8" (35 mm)	1-3/8" (35 mm)
مع مقرب ذاتي	–	10 mm
قدرة الحفر في الطوب والبلاط	13 mm	13 mm
مسامير الخشب (دون الحفر المسبق)	1,6 – 13 mm	1,6 – 13 mm
نطاق ظرف المقرب	1,5 kg...2,8 kg	1,5...2,8 kg
الوزن وفقا لنهج EPTA رقم 01/2014	–	–
درجة حرارة الجو المحيط الممنوح بها عند العمل	-18...+50 °C	-18...+50 °C
طرز البطارية الممنوح به	M18B...; M18HB...	M18B...; M18HB...
أجهزة الشحن الممنوح بها	M12-18...; M1418C6	M12-18...; M1418C6
معلومات الضوضاء: القيم التي تم قياسها محددة وفقا للمعايير الأوروبية EN 62841		
مستويات ضوضاء الجهاز، ترجيحاً بشكل نموذجي كالتالي:		
مستوى ضغط الصوت / الارتياح في القياس	79,32 dB(A) / 3 dB(A)	90,66 dB(A) / 3 dB(A)
مستوى شدة الصوت / الارتياح في القياس	87,32 dB(A) / 3 dB(A)	98,66 dB(A) / 3 dB(A)
ارتد واهبات الأذن!		
معلومات الاهتزاز: قيم الذبذبات الإجمالي (مجموع الكميات الموجهة في المحاور الثلاثة) محددة وفقا للمعايير الأوروبية EN 62841		
قيمة انبعاث الذبذبات (a _v) / قيمة غير مؤكدة ك		
الحفر الدقاق في الخرسانة	–	8,31 m/s ² / 1,5m/s ²
ثقب المعادن	1,64 m/s ² / 1,5 m/s ²	1,64 m/s ² / 1,5m/s ²
ربط المسامير	1,44 m/s ² / 1,5m/s ²	1,44 m/s ² / 1,5 m/s ²

تحذير!

تم قياس مستوى الاهتزاز وانبعاث الضوضاء الوارد في ورقة المعلومات هذه، وفقاً لاختبار قياسي محدد في المواصفة EN 62841، ويمكن استخدامه لمقارنة آلة مع أخرى.. كما يمكن استخدام ذلك أيضاً في إجراء تقييم أولي للتعرض.

يصل مستوى الاهتزاز وانبعاث الضوضاء المعلن عنه الاستخدامات الأساسية للآلة. ومع ذلك، إذا استعملت الآلة في استخدامات مختلفة، أو وملحقات مختلفة، أو تم صيانتها على نحو سيئ، فقد يختلف مستوى الاهتزاز وانبعاث الضوضاء. وهذا قد يزيد إلى حد كبير - من مستوى التعرض خلال مدة العمل الإجمالية.

عند تقييم مستوى التعرض للاهتزاز والضوضاء، ينبغي أيضاً أن يوضع في الاعتبار فترات إطفاء الآلة أو تشغيلها دون أن تقوم بأي وظيفة فعلياً، فهذا قد يقلل -إلى حد كبير- من مستوى التعرض خلال مدة العمل الإجمالية.

تعرف على تدابير السلامة الإضافية؛ لحماية المشغل من تأثيرات الاهتزاز أو الضوضاء أو كليهما، مثل: صيانة الآلة وملحقاتها، والحفاظ على دفء اليدين، وتنظيم نماذج العمل.

تحذير!

تحذير! اقرأ جميع تحذيرات الأمان والتعليمات والصور والمواصفات الواردة مع هذه المعدة الكهربائية. المخالفة في اتباع التعليمات المذكورة أسفله قد يكون نتيجتها صدمة كهربائية، حريق و / أو إصابة بالغة.

احتفظ بجميع التنبيهات والتعليمات للرجوع إليها مستقبلاً.

لا تمسك بالأداة الكهربائية إلا من خلال الأسطح القابضة العازلة فقط، عند إجراء عملية يمكن للحلق القطع أو المسحبات خلالها لمس الأسلاك المخفية. قد يجعل ملحق القطع أو المسحبات التي تلامس سلكاً "مكهرباً"، الأجزاء المعدنية المعرضة من الأداة الكهربائية "مكهربة" وقد تصيب العامل بصدمة كهربائية.

د واهبات الأذن عند استخدام المقرب. ارتد قد يسبب التعرض للضوضاء إلى فقدان السمع.

امسك الجهاز بإحكام قبل بداية العمل من المقيض المخصص لذلك. يُنتج هذا الجهاز عزم دوران عالي، وإذا كنت لا تُمسك به جيداً أثناء التشغيل، فإنيك قد تفقد السيطرة عليه وتتسبب في إصابة نفسك.

تعليمات السلامة الخاصة باستخدام المثاقب الطويلة

لا تستخدم أبداً عزم دوران أعلى من القيمة القصوى لعزم الدوران الممنوع عليها في مجموعة الحفر. في حالة استخدام عزم دوران أعلى قد تنتهي مجموعة الحفر إذا كانت تدور دون ملامسة قطعة العمل، الأمر الذي قد يؤدي إلى وقوع إصابات.

ابدأ العمل دائماً بعزم دوران منخفض، مع ملامسة عدة الحفر مع قطعة العمل أثناء ذلك. في حالة استخدام عزم دوران أعلى قد تنتهي مجموعة الحفر إذا كانت تدور دون ملامسة قطعة العمل،

تحذيرات السلامة عند استخدام المقرب

تعليمات السلامة لكل العمليات

لا تمسك بالأداة الكهربائية إلا من خلال الأسطح القابضة العازلة فقط، عند إجراء عملية يمكن للحلق القطع أو المسحبات خلالها لمس الأسلاك المخفية. قد يجعل ملحق القطع أو المسحبات التي تلامس سلكاً "مكهرباً"، الأجزاء المعدنية المعرضة من الأداة الكهربائية "مكهربة" وقد تصيب العامل بصدمة كهربائية.

د واهبات الأذن عند استخدام المقرب. ارتد قد يسبب التعرض للضوضاء إلى فقدان السمع.

امسك الجهاز بإحكام قبل بداية العمل من المقيض المخصص لذلك. يُنتج هذا الجهاز عزم دوران عالي، وإذا كنت لا تُمسك به جيداً أثناء التشغيل، فإنيك قد تفقد السيطرة عليه وتتسبب في إصابة نفسك.

تعليمات السلامة الخاصة باستخدام المثاقب الطويلة

لا تستخدم أبداً عزم دوران أعلى من القيمة القصوى لعزم الدوران الممنوع عليها في مجموعة الحفر. في حالة استخدام عزم دوران أعلى قد تنتهي مجموعة الحفر إذا كانت تدور دون ملامسة قطعة العمل، الأمر الذي قد يؤدي إلى وقوع إصابات.

ابدأ العمل دائماً بعزم دوران منخفض، مع ملامسة عدة الحفر مع قطعة العمل أثناء ذلك. في حالة استخدام عزم دوران أعلى قد تنتهي مجموعة الحفر إذا كانت تدور دون ملامسة قطعة العمل،

تحذير! اقرأ جميع تحذيرات الأمان والتعليمات والصور والمواصفات الواردة مع هذه المعدة الكهربائية. المخالفة في اتباع التعليمات المذكورة أسفله قد يكون نتيجتها صدمة كهربائية، حريق و / أو إصابة بالغة.

احتفظ بجميع التنبيهات والتعليمات للرجوع إليها مستقبلاً.

لا تمسك بالأداة الكهربائية إلا من خلال الأسطح القابضة العازلة فقط، عند إجراء عملية يمكن للحلق القطع أو المسحبات خلالها لمس الأسلاك المخفية. قد يجعل ملحق القطع أو المسحبات التي تلامس سلكاً "مكهرباً"، الأجزاء المعدنية المعرضة من الأداة الكهربائية "مكهربة" وقد تصيب العامل بصدمة كهربائية.

د واهبات الأذن عند استخدام المقرب. ارتد قد يسبب التعرض للضوضاء إلى فقدان السمع.

امسك الجهاز بإحكام قبل بداية العمل من المقيض المخصص لذلك. يُنتج هذا الجهاز عزم دوران عالي، وإذا كنت لا تُمسك به جيداً أثناء التشغيل، فإنيك قد تفقد السيطرة عليه وتتسبب في إصابة نفسك.

تعليمات السلامة الخاصة باستخدام المثاقب الطويلة

لا تستخدم أبداً عزم دوران أعلى من القيمة القصوى لعزم الدوران الممنوع عليها في مجموعة الحفر. في حالة استخدام عزم دوران أعلى قد تنتهي مجموعة الحفر إذا كانت تدور دون ملامسة قطعة العمل، الأمر الذي قد يؤدي إلى وقوع إصابات.

ابدأ العمل دائماً بعزم دوران منخفض، مع ملامسة عدة الحفر مع قطعة العمل أثناء ذلك. في حالة استخدام عزم دوران أعلى قد تنتهي مجموعة الحفر إذا كانت تدور دون ملامسة قطعة العمل،

إرشادات خاصة بطاريات أيون الليثيوم القابلة للشحن

لا تلامس بيك الماكينة أثناء دورانها.

الأداة المستخدمة قد تسخن خلال الاستخدام.

تحذير! هناك خطر الإصابة بحروق

- عند استبدال الأداة
- عند وضع الجهاز

لا يجب إزالة الإشارة والشظايا أثناء تشغيل الآلة.

عند العمل في سقف الحوائط أو الأرضية، توخ الحذر وتجنب الكابلات الكهربائية وأنابيب الغاز أو المياه.

قم بتأمين القطعة المستخدمة من المواد في تجهيزة تثبيت.

القطع المستخدمة من المواد الغير مرمنة يمكن أن تسبب في إصابات وأضرار حادة.

قم بإزالة حزمة البطارية قبل البدء في أي أعمال على الجهاز.

لا تتخلص من البطاريات المستعملة مع النفايات المنزلية أو بحرقها. يقدم موزعو ميلوكي خدمة استعادة البطاريات القديمة لحماية البيئة.

لا يتم تخزين البطارية مع الأشياء المعدنية (خطر قصر الدائرة)..

استخدم فقط شواحن System M18 لشحن بطاريات System M18. لا تستخدم بطاريات من أنظمة أخرى.

قد يتسرب حامض البطارية من البطاريات التالفة في ظروف الحمل الزائد درجة كبيرة أو في درجات الحرارة الشديدة؛ في حالة ملامسة حامض البطارية اغسل يديك فوراً بالماء والصابون.

في حالة ملامسة السائل للعينين اشطفهما جيداً لمدة 10 دقائق على الأقل واظب العناية الطبية فوراً.

لا تضع نصلة الثقب في الأداة إذا كانت الأداة في وضعية التشغيل، والمفتاح في وضعية القفل، لأن النصلة ستدور ما يسرجح المستخدم.

تحذير! لتجنب أضرار الحريق أو الإصابة أو الإضرار بالمنتج التي تنجم عن الماس الكهربائي، لا تصعد الأداة البطارية القابلة للاستبدال أو جهاز الشحن في السوائل وأحرص على أن لا تصل السوائل إلى داخل الجهاز والبطارية. السوائل المودية للتآكل أو الموصلية للتيار الكهربائي، مثل الماء والملح ومركبات كيميائية معينة ومواد التبييض أو المنتجات التي تشتمل على مواد تبييض، يمكن أن تؤدي إلى حدوث ماس كهربائي.

لا تضع نصلة الثقب في الأداة إذا كانت الأداة في وضعية التشغيل، والمفتاح في وضعية القفل، لأن النصلة ستدور ما يسرجح المستخدم.

تحذير! لتجنب أضرار الحريق أو الإصابة أو الإضرار بالمنتج التي تنجم عن الماس الكهربائي، لا تصعد الأداة البطارية القابلة للاستبدال أو جهاز الشحن في السوائل وأحرص على أن لا تصل السوائل إلى داخل الجهاز والبطارية. السوائل المودية للتآكل أو الموصلية للتيار الكهربائي، مثل الماء والملح ومركبات كيميائية معينة ومواد التبييض أو المنتجات التي تشتمل على مواد تبييض، يمكن أن تؤدي إلى حدوث ماس كهربائي.

لا تضع نصلة الثقب في الأداة إذا كانت الأداة في وضعية التشغيل، والمفتاح في وضعية القفل، لأن النصلة ستدور ما يسرجح المستخدم.

تحذير! لتجنب أضرار الحريق أو الإصابة أو الإضرار بالمنتج التي تنجم عن الماس الكهربائي، لا تصعد الأداة البطارية القابلة للاستبدال أو جهاز الشحن في السوائل وأحرص على أن لا تصل السوائل إلى داخل الجهاز والبطارية. السوائل المودية للتآكل أو الموصلية للتيار الكهربائي، مثل الماء والملح ومركبات كيميائية معينة ومواد التبييض أو المنتجات التي تشتمل على مواد تبييض، يمكن أن تؤدي إلى حدوث ماس كهربائي.

لا تضع نصلة الثقب في الأداة إذا كانت الأداة في وضعية التشغيل، والمفتاح في وضعية القفل، لأن النصلة ستدور ما يسرجح المستخدم.

تحذير! لتجنب أضرار الحريق أو الإصابة أو الإضرار بالمنتج التي تنجم عن الماس الكهربائي، لا تصعد الأداة البطارية القابلة للاستبدال أو جهاز الشحن في السوائل وأحرص على أن لا تصل السوائل إلى داخل الجهاز والبطارية. السوائل المودية للتآكل أو الموصلية للتيار الكهربائي، مثل الماء والملح ومركبات كيميائية معينة ومواد التبييض أو المنتجات التي تشتمل على مواد تبييض، يمكن أن تؤدي إلى حدوث ماس كهربائي.

لا تضع نصلة الثقب في الأداة إذا كانت الأداة في وضعية التشغيل، والمفتاح في وضعية القفل، لأن النصلة ستدور ما يسرجح المستخدم.

تحذير! لتجنب أضرار الحريق أو الإصابة أو الإضرار بالمنتج التي تنجم عن الماس الكهربائي، لا تصعد الأداة البطارية القابلة للاستبدال أو جهاز الشحن في السوائل وأحرص على أن لا تصل السوائل إلى داخل الجهاز والبطارية. السوائل المودية للتآكل أو الموصلية للتيار الكهربائي، مثل الماء والملح ومركبات كيميائية معينة ومواد التبييض أو المنتجات التي تشتمل على مواد تبييض، يمكن أن تؤدي إلى حدوث ماس كهربائي.

لا تضع نصلة الثقب في الأداة إذا كانت الأداة في وضعية التشغيل، والمفتاح في وضعية القفل، لأن النصلة ستدور ما يسرجح المستخدم.

تحذير! لتجنب أضرار الحريق أو الإصابة أو الإضرار بالمنتج التي تنجم عن الماس الكهربائي، لا تصعد الأداة البطارية القابلة للاستبدال أو جهاز الشحن في السوائل وأحرص على أن لا تصل السوائل إلى داخل الجهاز والبطارية. السوائل المودية للتآكل أو الموصلية للتيار الكهربائي، مثل الماء والملح ومركبات كيميائية معينة ومواد التبييض أو المنتجات التي تشتمل على مواد تبييض، يمكن أن تؤدي إلى حدوث ماس كهربائي.

لا تضع نصلة الثقب في الأداة إذا كانت الأداة في وضعية التشغيل، والمفتاح في وضعية القفل، لأن النصلة ستدور ما يسرجح المستخدم.

تحذير! لتجنب أضرار الحريق أو الإصابة أو الإضرار بالمنتج التي تنجم عن الماس الكهربائي، لا تصعد الأداة البطارية القابلة للاستبدال أو جهاز الشحن في السوائل وأحرص على أن لا تصل السوائل إلى داخل الجهاز والبطارية. السوائل المودية للتآكل أو الموصلية للتيار الكهربائي، مثل الماء والملح ومركبات كيميائية معينة ومواد التبييض أو المنتجات التي تشتمل على مواد تبييض، يمكن أن تؤدي إلى حدوث ماس كهربائي.

لا تضع نصلة الثقب في الأداة إذا كانت الأداة في وضعية التشغيل، والمفتاح في وضعية القفل، لأن النصلة ستدور ما يسرجح المستخدم.

تحذير! لتجنب أضرار الحريق أو الإصابة أو الإضرار بالمنتج التي تنجم عن الماس الكهربائي، لا تصعد الأداة البطارية القابلة للاستبدال أو جهاز الشحن في السوائل وأحرص على أن لا تصل السوائل إلى داخل الجهاز والبطارية. السوائل المودية للتآكل أو الموصلية للتيار الكهربائي، مثل الماء والملح ومركبات كيميائية معينة ومواد التبييض أو المنتجات التي تشتمل على مواد تبييض، يمكن أن تؤدي إلى حدوث ماس كهربائي.

لا تضع نصلة الثقب في الأداة إذا كانت الأداة في وضعية التشغيل، والمفتاح في وضعية القفل، لأن النصلة ستدور ما يسرجح المستخدم.

تحذير! لتجنب أضرار الحريق أو الإصابة أو الإضرار بالمنتج التي تنجم عن الماس الكهربائي، لا تصعد الأداة البطارية القابلة للاستبدال أو جهاز الشحن في السوائل وأحرص على أن لا تصل السوائل إلى داخل الجهاز والبطارية. السوائل المودية للتآكل أو الموصلية للتيار الكهربائي، مثل الماء والملح ومركبات كيميائية معينة ومواد التبييض أو المنتجات التي تشتمل على مواد تبييض، يمكن أن تؤدي إلى حدوث ماس كهربائي.

لا تضع نصلة الثقب في الأداة إذا كانت الأداة في وضعية التشغيل، والمفتاح في وضعية القفل، لأن النصلة ستدور ما يسرجح المستخدم.

تحذير! لتجنب أضرار الحريق أو الإصابة أو الإضرار بالمنتج التي تنجم عن الماس الكهربائي، لا تصعد الأداة البطارية القابلة للاستبدال أو جهاز الشحن في السوائل وأحرص على أن لا تصل السوائل إلى داخل الجهاز والبطارية. السوائل المودية للتآكل أو الموصلية للتيار الكهربائي، مثل الماء والملح ومركبات كيميائية معينة ومواد التبييض أو المنتجات التي تشتمل على مواد تبييض، يمكن أن تؤدي إلى حدوث ماس كهربائي.

لا تضع نصلة الثقب في الأداة إذا كانت الأداة في وضعية التشغيل، والمفتاح في وضعية القفل، لأن النصلة ستدور ما يسرجح المستخدم.

تحذير! لتجنب أضرار الحريق أو الإصابة أو الإضرار بالمنتج التي تنجم عن الماس الكهربائي، لا تصعد الأداة البطارية القابلة للاستبدال أو جهاز الشحن في السوائل وأحرص على أن لا تصل السوائل إلى داخل الجهاز والبطارية. السوائل المودية للتآكل أو الموصلية للتيار الكهربائي، مثل الماء والملح ومركبات كيميائية معينة ومواد التبييض أو المنتجات التي تشتمل على مواد تبييض، يمكن أن تؤدي إلى حدوث ماس كهربائي.

لا تضع نصلة الثقب في الأداة إذا كانت الأداة في وضعية التشغيل، والمفتاح في وضعية القفل، لأن النصلة ستدور ما يسرجح المستخدم.

تحذير! لتجنب أضرار الحريق أو الإصابة أو الإضرار بالمنتج التي تنجم عن الماس الكهربائي، لا تصعد الأداة البطارية القابلة للاستبدال أو جهاز الشحن في السوائل وأحرص على أن لا تصل السوائل إلى داخل الجهاز والبطارية. السوائل المودية للتآكل أو الموصلية للتيار الكهربائي، مثل الماء والملح ومركبات كيميائية معينة ومواد التبييض أو المنتجات التي تشتمل على مواد تبييض، يمكن أن تؤدي إلى حدوث ماس كهربائي.

لا تضع نصلة الثقب في الأداة إذا كانت الأداة في وضعية التشغيل، والمفتاح في وضعية القفل، لأن النصلة ستدور ما يسرجح المستخدم.

تحذير! لتجنب أضرار الحريق أو الإصابة أو الإضرار بالمنتج التي تنجم عن الماس الكهربائي، لا تصعد الأداة البطارية القابلة للاستبدال أو جهاز الشحن في السوائل وأحرص على أن لا تصل السوائل إلى داخل الجهاز والبطارية. السوائل المودية للتآكل أو الموصلية للتيار الكهربائي، مثل الماء والملح ومركبات كيميائية معينة ومواد التبييض أو المنتجات التي تشتمل على مواد تبييض، يمكن أن تؤدي إلى حدوث ماس كهربائي.

لا تضع نصلة الثقب في الأداة إذا كانت الأداة في وضعية التشغيل، والمفتاح في وضعية القفل، لأن النصلة ستدور ما يسرجح المستخدم.

تحذير! لتجنب أضرار الحريق أو الإصابة أو الإضرار بالمنتج التي تنجم عن الماس الكهربائي، لا تصعد الأداة البطارية القابلة للاستبدال أو جهاز الشحن في السوائل وأحرص على أن لا تصل السوائل إلى داخل الجهاز والبطارية. السوائل المودية للتآكل أو الموصلية للتيار الكهربائي، مثل الماء والملح ومركبات كيميائية معينة ومواد التبييض أو المنتجات التي تشتمل على مواد تبييض، يمكن أن تؤدي إلى حدوث ماس كهربائي.

لا تضع نصلة الثقب في الأداة إذا كانت الأداة في وضعية التشغيل، والمفتاح في وضعية القفل، لأن النصلة ستدور ما يسرجح المستخدم.

تحذير! لتجنب أضرار الحريق أو الإصابة أو الإضرار بالمنتج التي تنجم عن الماس الكهربائي، لا تصعد الأداة البطارية القابلة للاستبدال أو جهاز الشحن في السوائل وأحرص على أن لا تصل السوائل إلى داخل الجهاز والبطارية. السوائل المودية للتآكل أو الموصلية للتيار الكهربائي، مثل الماء والملح ومركبات كيميائية معينة ومواد التبييض أو المنتجات التي تشتمل على مواد تبييض، يمكن أن تؤدي إلى حدوث ماس كهربائي.

EC DECLARATION OF CONFORMITY

We declare as the manufacturer under our sole responsibility that the product described under "Technical Data" fulfills all the relevant regulations and directives listed below and that the following harmonized standards have been used.

EG-KONFORMITÄTSEKTLÄRUNG

Wir erklären als Hersteller in alleiniger Verantwortung, dass das unter „Technische Daten“ beschriebene Produkt alle nachstehend aufgeführten relevanten Verordnungen und Richtlinien erfüllt und dass die folgenden harmonisierten Normen angewandt wurden.

DECLARATION CE DE CONFORMITÉ

Nous déclarons en tant que fabricant et sous notre seule responsabilité, que le produit décrit dans « Données techniques » est conforme à toutes les réglementations et directives pertinentes mentionnées ci-après et que les normes harmonisées suivantes ont été appliquées.

DICHIARAZIONE CE DI CONFORMITÀ

In qualità di produttore dichiariamo sotto la nostra esclusiva responsabilità che il prodotto descritto nei "Dati tecnici" è conforme a tutti i regolamenti e tutte le direttive pertinenti elencati qui di seguito e che sono state usate le seguenti norme armonizzate.

DECLARACIÓN CE DE CONFORMIDAD

Declaramos como fabricante y bajo nuestra responsabilidad que el producto descrito bajo "Datos técnicos" está en conformidad con todos los reglamentos y directivas detallados a continuación y que se han utilizado las siguientes normas armonizadas.

DECLARAÇÃO CE DE CONFORMIDADE

Como fabricante, declaramos sob responsabilidade exclusiva, que o produto descrito sob "Dados Técnicos" corresponde com todos os regulamentos relevantes e diretivas abaixo que as seguintes normas harmonizadas foram utilizadas.

EG-VERKLARING VAN OVEREENSTEMMING

Wij als fabrikant verklaren in uitsluitende verantwoording dat het onder "Technische gegevens" beschreven product aan alle onderstaand vermelde relevante verordeningen en richtlijnen voldoet en dat de volgende geharmoniseerde normen werden toegeepast.

EF-OVERENSSTEMMELSESERKLÆRING

Vi erklærer som producent og eneansvarlig, at produktet, der er beskrevet under "Tekniske data", opfylder alle relevante forordninger og direktiver som nævnt nedenfor og at nedenstående harmoniserede standarder er blevet anvendt.

EU-SAMSVARSERKLÆRING

Som produsent erklærer vi under eget ansvar at produktet som beskrives under "Teknisk data" opfylder alle relevante forordninger og direktiver som står oppført nedenfor og at de følgende harmoniserede standarder har blitt brukt.

EG-FÖRSÄKRAN ÖVERENSSTÄMMELSE

Vi som tillverkare förklarar under eget ansvar, att den produkt som beskrivs under "Tekniska data" överensstämmer med alla de nedan angivna relevanta förordningarna och direktiven och att de följande harmoniserade normen har tillämpats.

EY-VAATIMUSTENMUKAISUUSVAKUUTUS

Vakuutamme valmistajana ominaisuudessa yksinvastuullisesti, että kohdassa "Tekniset tiedot" kuvattu tuote täyttää kaikki seuraavassa luetellut sitä koskevat asetukset ja direktiivit ja että seuraavia harmonisoituja standardeja on sovellettu.

ΑΝΩΣΗ ΣΥΜΜΟΡΦΩΣΗΣ ΕΚ

Ως κατασκευαστής δηλώνουμε υπεύθυνα ότι το προϊόν που περιγράφεται στο κεφάλαιο «Τεχνικά Χαρακτηριστικά», πληροί όλους τους κανονισμούς κι όλες τις οδηγίες που αναφέρονται σχετικά παρακάτω, και για το οποίο έχουν εφαρμοστεί τα ακόλουθα εναρμονισμένα πρότυπα.

AT UYGUNLUK BEYANI

Üretici sıfatıyla tek sorumlu olarak "Teknik Veriler" bölümünde tarif edilen ürünün aşağıda sıralanan bütün ilgili yönetmelik ve direktiflere uygun olduğunu ve aşağıdaki uyumlaştırılmış standartların kullanıldığını beyan etmekteyiz.

ES PROHLÁŠENÍ O SHODĚ

My jako výrobce prohlašujeme na svou vlastní odpovědnost, že produkt popsaný v části „Technické údaje“ splňuje všechna příslušná nařízení a směrnice uvedené níže a že byly použity následující harmonizované normy.

ES VYHLÁSENIE O ZHODE

"My ako výrobca vyhlasujeme na vlastnú zodpovednosť, že produkt popísaný v časti „Technické údaje“ spĺňa všetky príslušné nariadenia a smernice uvedené nižšie a že boli použité nasledujúce harmonizované normy.

DEKLARACJA ZGODNOŚCI WE

Jako producent oświadczamy na naszą wyłączną odpowiedzialność, że produkt opisany w punkcie „Dane techniczne” odpowiada wszystkim poniższym istotnym rozporządzeniom oraz dyrektywom, a także iż zastosowano poniższe zharmonizowane normy:

EK-MEGFELELŐSÉGI NYILATKOZÁS

Gyártóként egyedül felelősséggel kijelentjük, hogy a „Műszaki Adatok” alatt leírt termék megfelel a következőkben felsorolt minden releváns rendeletnek és irányelvnek, és hogy a következő harmonizált szabványok kerültek használatra.

ES-IZJAVA O SKLADNOSTI

Mi kao proizvođač izjavljujemo na osobnu odgovornost, da je proizvod, opisan pod "Tehnički podaci", sukladan sa svim relevantnim propisima i u nastavku navedenim smjernicama i harmoniziranim normativima dokumenata.

IZJAVA O SUKLADNOSTI

Mi kao proizvođač izjavljujemo na osobnu odgovornost, da proizvod opisan pod "Tehnički podaci", ispunjava sve u nastavku navedene relevantne odredbe i smjernice i da su sljedeće harmonizirane norme bile primijenjene.

EK ATBILSTĪBAS DEKLARĀCIJA

Mēs kā ražotājs u vienīgā atbildīgā persona apliecinām, ka "Tehnikajos datos" raksturotais produkts atbilst visiem attiecīgajiem noteikumiem un vadlīnijām, kas uzskaitītas turpmāk, un ka ir izmantoti šādi saskaņotie standarti.

EB ATITIKTIES DEKLARACIJA

Gamintojo vardu atsakingai pareiškiame, kad gaminy, aprašytas skyriuje „Techniniai duomenys“, atitinka visus toliau išvardytus susijusių reglamentų, direktyvų ir darniųjų standartų taikomos reikalavimus.

EÜ VASTAVUSDEKLARATSIOON

Kinnitame tootjana ainuisikuliselt vastutades, et jaotises „Tehnilised andmed“ kirjeldatud toode on kooskõlas allpool nimetatud direktiivide asjaomaste eeskirjade ja ühtlustatud normdokumentidega ning et on kasutatud järgmisi ühtlustatud standardeid.

ДЕКЛАРАЦИЯ СООТВЕТСТВИЯ ЕС

Мы как производитель под собственную ответственность заявляем о том, что описанное в разделе «Технические характеристики» изделие отвечает всем нижеперечисленным соответствующим предписаниям и директивам и что в отношении него применяются следующие гармонизированные стандарты.

ДЕКЛАРАЦИЯ ЗА СЪОТВЕТСТВИЕ НА ЕО

В качеството си на производител декларираме на собствена отговорност, че продуктът, описан в „Технически данни“, отговаря на всички изброени по-нататък приложими регламенти и директиви и че са използвани посочените хармонизирани стандарти.

DECLARAȚIE DE CONFORMITATE CE

În calitate de producător declarăm pe propria răspundere că produsul descris la "Date tehnice" este în concordanță cu toate regulamentele și directivele relevante de mai jos și că au fost utilizate următoarele norme armonizate.

ЕК-ДЕКЛАРАЦИЈА ЗА СООБРАЗНОСТ

Како производител, изјавуваме под целосна одговорност дека производот опишан во „Технички податоци“ подолу е во согласност со сите релевантни одредби и регулативи наведени подолу и дека се користени следниве усогласени стандарди.

ДЕКЛАРАЦИЈА ЕС ПРО ВІДПОВІДНІСТЬ

Як виробник, ми заявляємо на власну відповідальність, що виріб, описаний у розділі "Технічних даних", відповідає всім застосовним положенням директив і приписам перерахованим нижче, і що щодо нього були використані наступні гармонізовані стандарти.

ES IZJAVA O USKLAĐENOSTI

Kao proizvođač, sa potpunom odgovornošću izjavljujemo da je proizvod opisan u odeljku „Tehnički podaci“ usklađen sa svim relevantnim propisima i direktivama navedenim u nastavku i da su primenjeni sledeći harmonizovani standardi.

DEKLARATA E KONFORMITETIT KE

Si prodhues, ne deklarojmë të përgjegjësi të vetme se produkti i përshkruar nën "Të dhënat teknike" është në përputhje me të gjitha regulloret dhe direktivat përkatëse të renditura më poshtë dhe se janë zbatuar standardet e harmonizuara të mëposhtme.

اقرار المطابقة وفقاً للمواحد الاوروبي

جعلننا ان، نقر فنمل ان تيكلوويم ولي جي عيتم نظر شريك من رذن انه بوجوب تاديچوتلا و رماوالا عيچم و باطال "التيكلو" تاراجيدال" تيت فصوصوطا بي:اتال و فواترلا ريياجم مديتسا اييف يرح ذو ولي اييف ترولفندلما عطاوا

2011/65/EU (RoHS)
2014/30/EU
2006/42/EC

EN 62841-1:2015+A11:2022
EN 62841-2-1:2018+A11:2019
EN IEC 55014-1:2021
EN IEC 55014-2:2021
EN IEC 63000:2018

Winnenden, 2023-02-27

Alexander Krug
Managing Director



Authorized to compile the technical file

Bevollmächtigt die technischen Unterlagen zusammenzustellen.

Autorisé à compiler la documentation technique.

Autorizzato alla preparazione della documentazione tecnica

Autorizado para la redacción de los documentos técnicos.

Autorizado a reunir a documentação técnica.

Gemachtigd voor samenstelling van de technische documenten

Autoriseret til at udarbejde de tekniske dokumenter.

Autorisert til å utarbeide den tekniske dokumentasjonen

Befullmäktigad att sammanställa teknisk dokumentation.

Valtuutettu kokoamaan tekniset dokumentit.

Εξουσιοδοτημένος να συντάξει τον τεχνικό φάκελο.

Teknik evrakları hazırlamakla görevlendirilmiştir.

Zplnomocněn k sestavování technických podkladů.

Splnomocnený zostaviť technické podklady.

Upełnomocniony do zestawienia danych technicznych

Műszaki dokumentáció összeállításra felhatalmazva

Pooblaščen za izdelavo spisov tehnične dokumentacije.

Ovlašten za formiranje tehničke dokumentacije.

Piivnrotais tehnikās dokumentācijas sastādīšanā.

Igaliotas parengti techninius dokumentus.

On volitatud koostama tehnilist dokumentatsiooni.

Уполномочен на составление технической документации.

Упълномощен за съставяне на техническата документация

İmputernicit să elaboreze documentația tehnică.

Ополномощен за составување на техничката документација.

Уповноважений із складання технічної документації.

Ovlaščen za sestavljanje tehničke dokumentacije.

I autorizar përpilimin e dokumentacionit teknik.

معمدة للمطابقة مع الملف التقني

Techtronic Industries GmbH
Max-Eyth-Straße 10
71364 Winnenden
Germany

GB-DECLARATION OF CONFORMITY

We declare as the manufacturer under our sole responsibility that the product described under "Technical Data" fulfills all the listed below relevant regulations and that the following designated standards have been used.

S.I. 2008/1597 (as amended)
S.I. 2016/1091 (as amended)
S.I. 2012/3032 (as amended)

BS EN 62841-1:2015+A11:2022
BS EN 62841-2-1:2018+A11:2019
BS EN IEC 55014-1:2021
BS EN IEC 55014-2:2021
BS EN IEC 63000:2018

Winnenden, 2023-02-27

Alexander Krug
Managing Director

Techtronic Industries GmbH
Max-Eyth-Straße 10
71364 Winnenden
Germany

Authorized to compile the technical file:

Techtronic Industries (UK) Ltd
Fieldhouse Lane
Marlow Bucks SL7 1HZ
UK



Copyright 2023

Techtronic Industries GmbH
Max-Eyth-Str. 10
71364 Winnenden
Germany

+49 (0) 7195-12-0

www.milwaukeetool.eu

Techtronic Industries (UK) Ltd
Parkway
Marlow SL7 1YL
UK

(06.23)

4931 4708 68