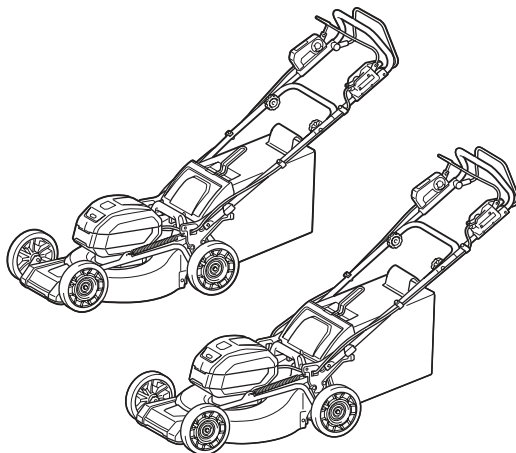




EN	Cordless Lawn Mower	INSTRUCTION MANUAL	9
SV	Batteridrivnen gräsklippare	BRUKSANVISNING	21
NO	Batteridrevet gressklipper	BRUKSANVISNING	34
FI	Akkukäyttöinen ruohonleikkuri	KÄYTTÖOHJE	47
DA	Akku-plæneklipper	BRUGSANVISNING	59
LV	Bezvada zāles pļaujmašīna	LIETOŠANAS INSTRUKCIJA	72
LT	Belaidė vejapjovė	NAUDOJIMO INSTRUKCIJA	85
ET	Juhtmeta muruniiduk	KASUTUSJUHEND	98
RU	Аккумуляторная Газонокосилка	РУКОВОДСТВО ПО ЭКСПЛУАТАЦИИ	110

LM001G
LM002G



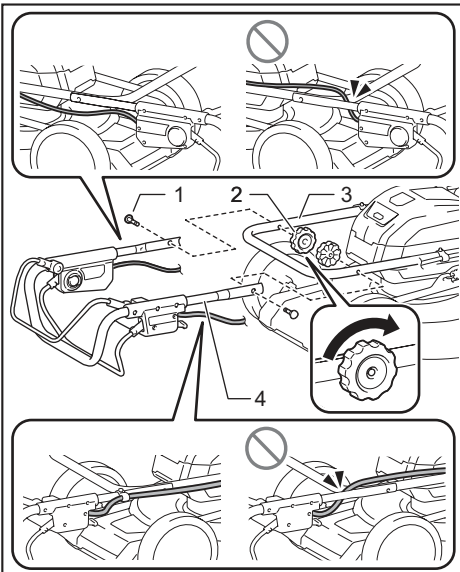


Fig.1

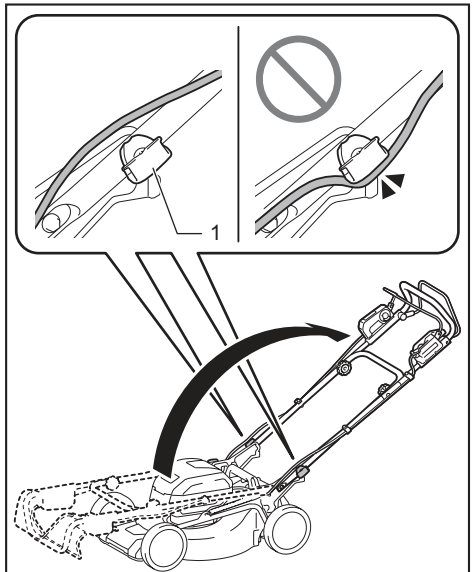


Fig.3

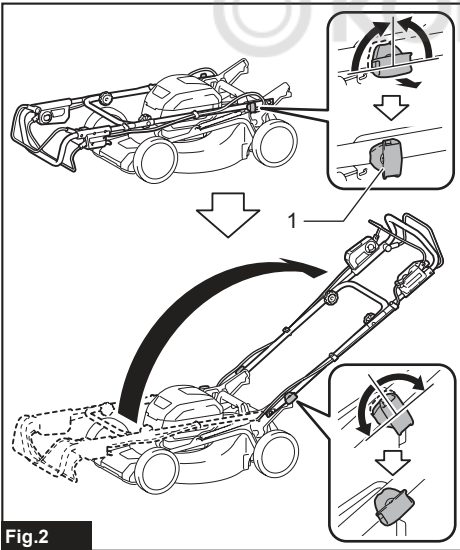


Fig.2

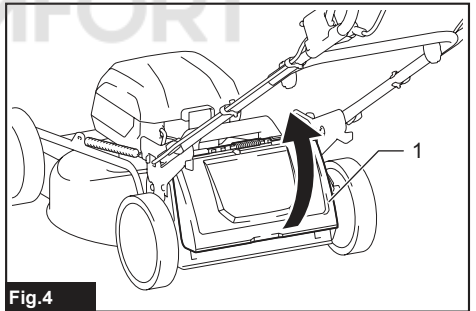


Fig.4

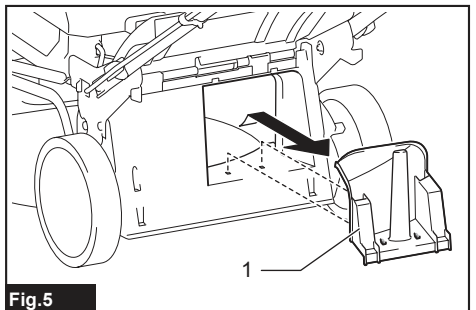
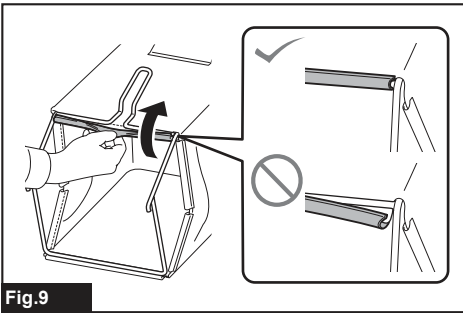
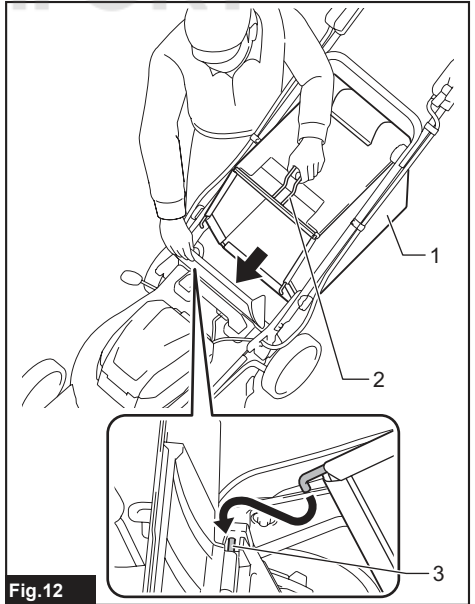
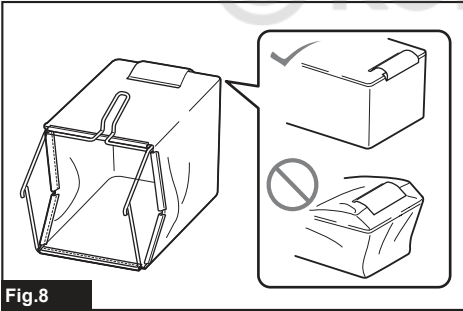
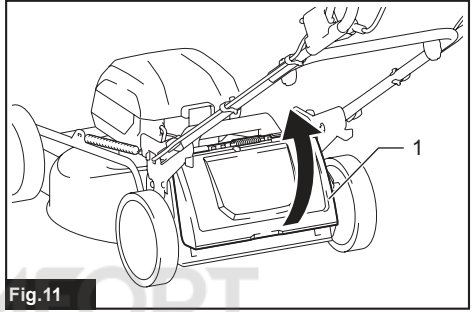
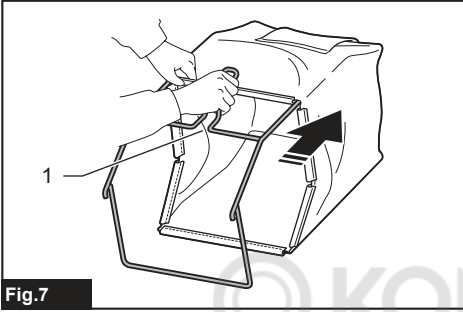
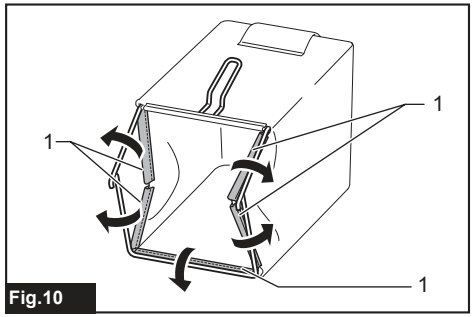
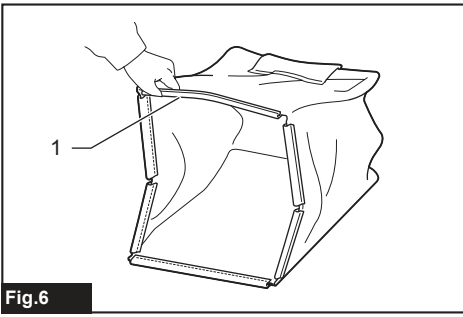


Fig.5



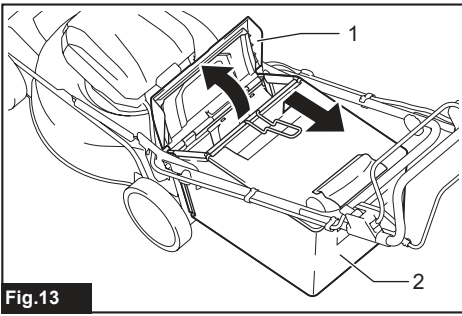


Fig.13

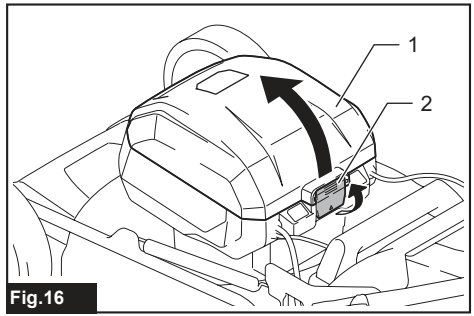


Fig.16

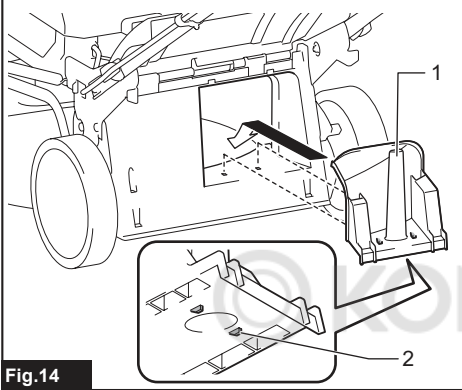


Fig.14

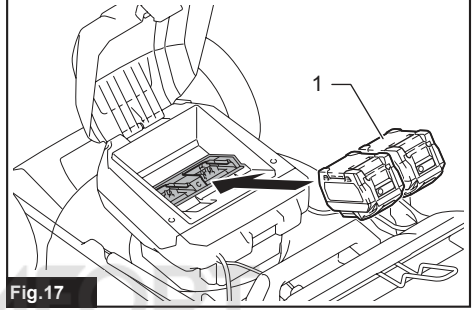


Fig.17

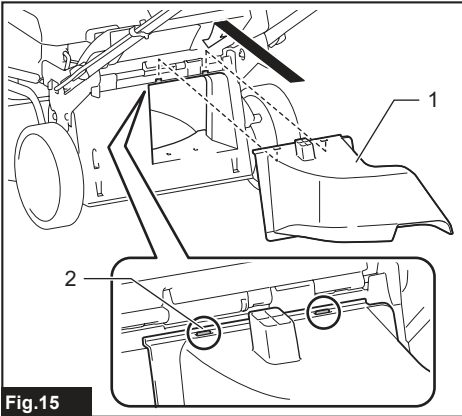


Fig.15

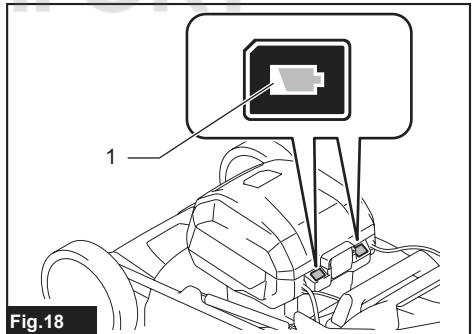


Fig.18

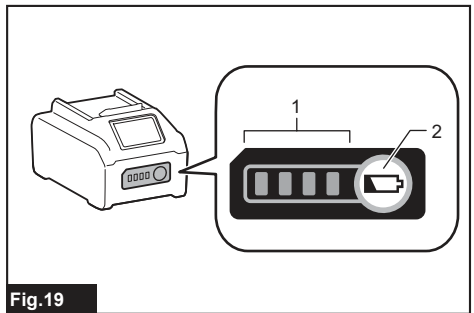


Fig.19

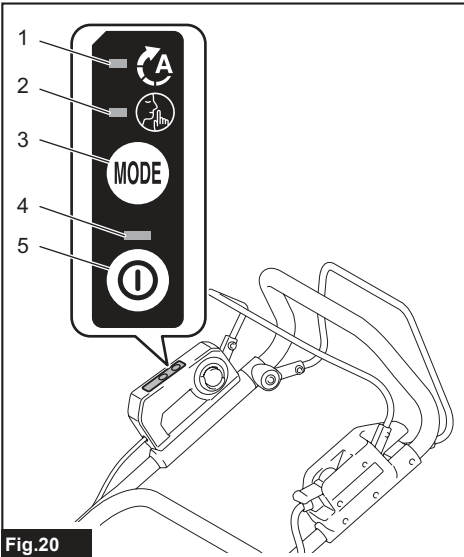


Fig.20

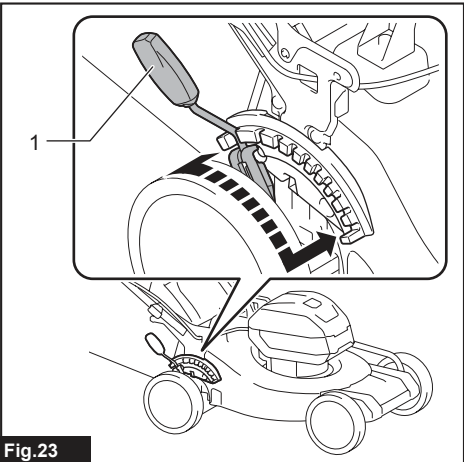


Fig.23

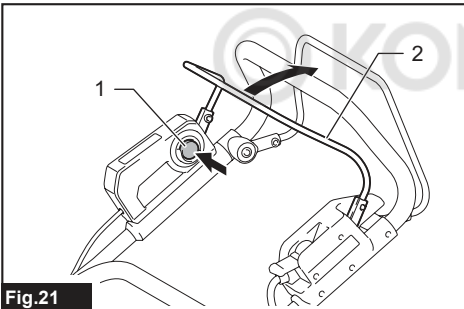


Fig.21

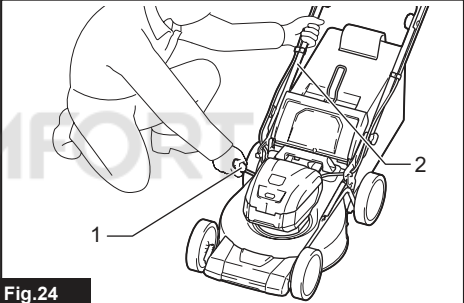


Fig.24

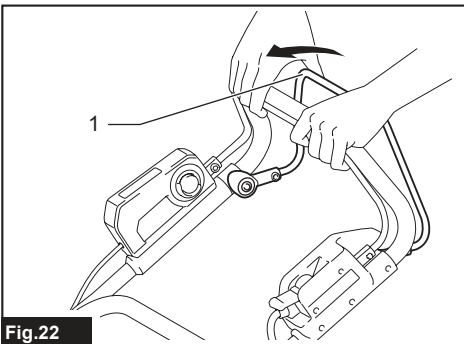


Fig.22

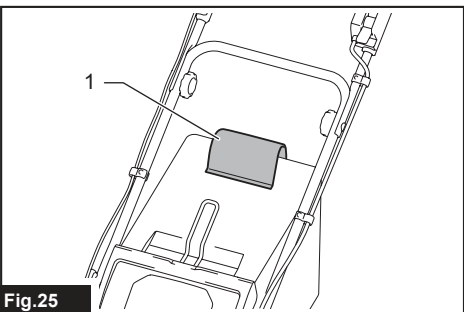


Fig.25

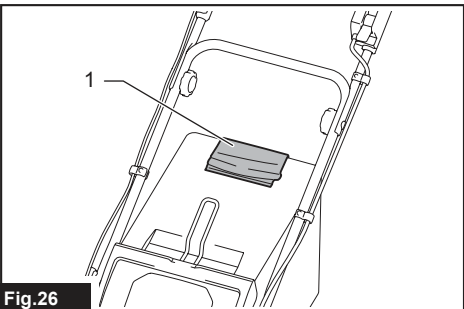


Fig.26

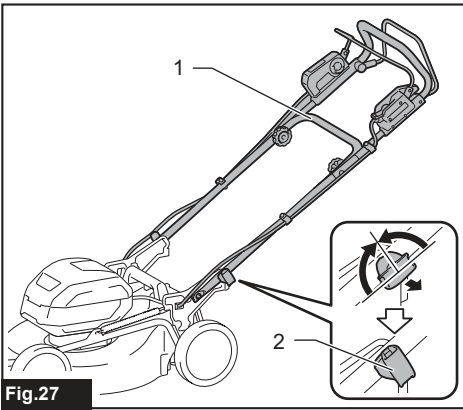


Fig.27

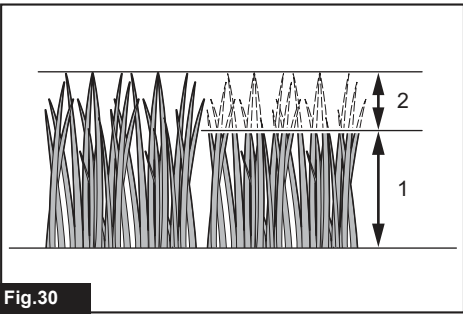


Fig.30

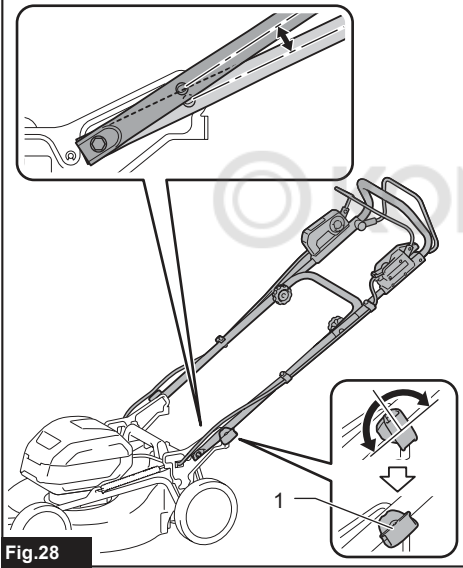


Fig.28



Fig.31

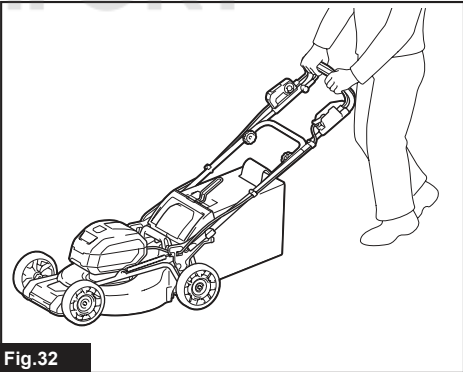


Fig.32

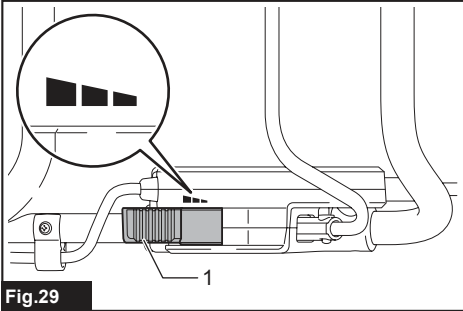


Fig.29

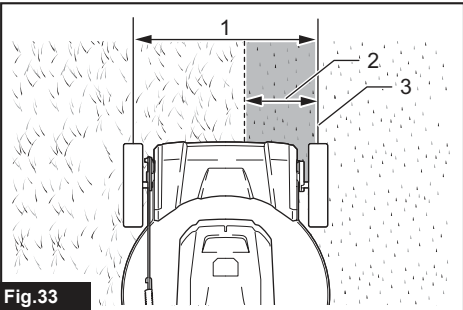


Fig.33

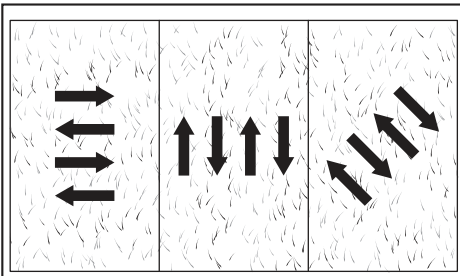


Fig.34

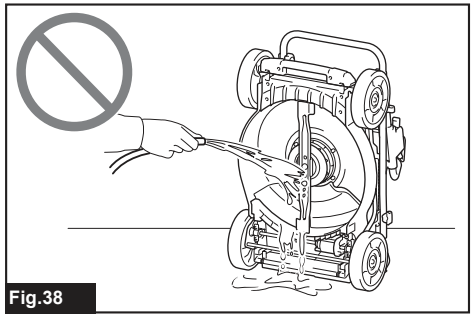


Fig.38

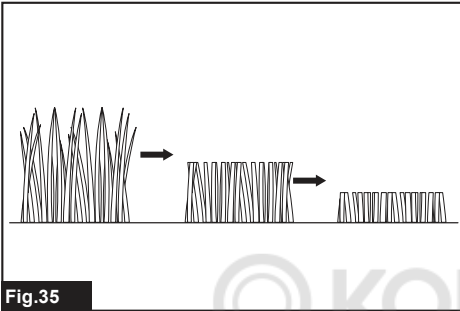


Fig.35

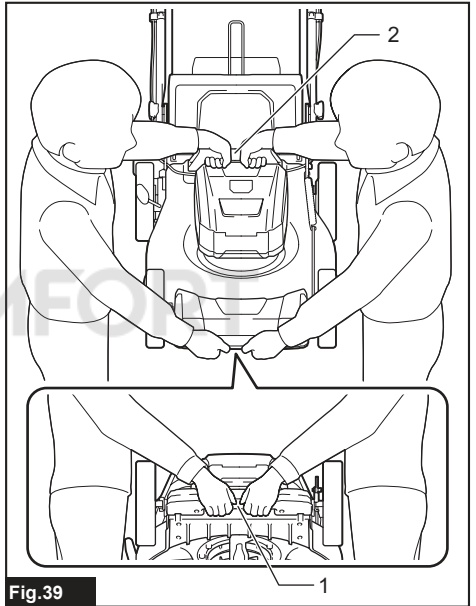


Fig.39

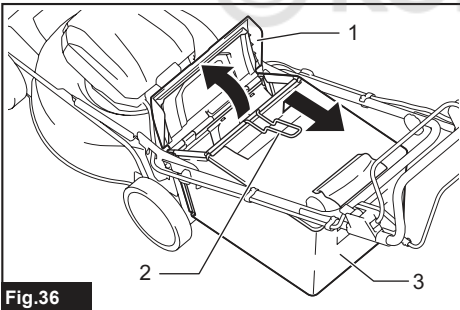


Fig.36

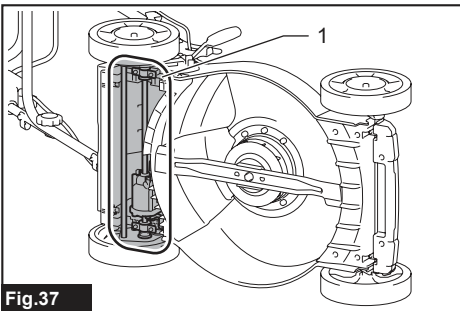


Fig.37

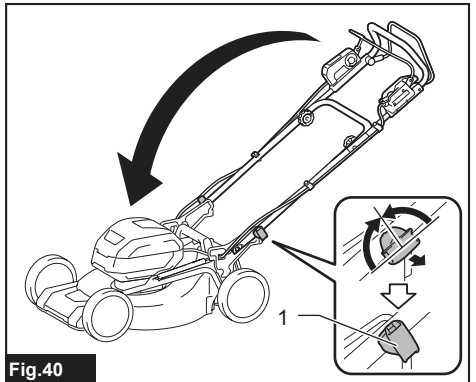


Fig.40

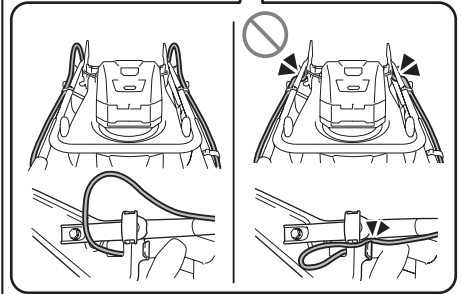
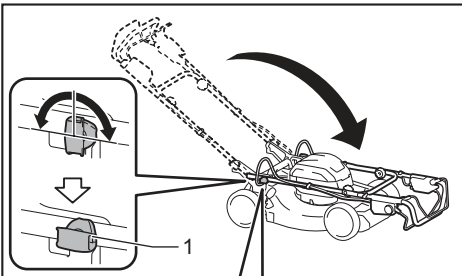


Fig.41

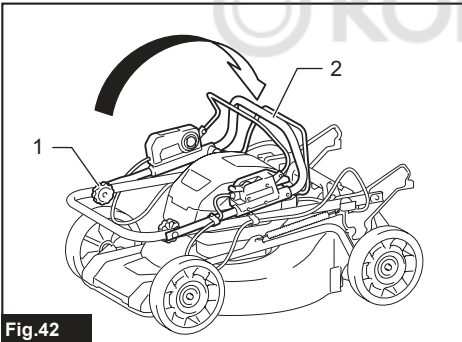


Fig.42

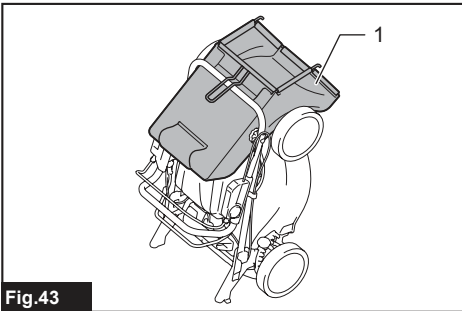


Fig.43

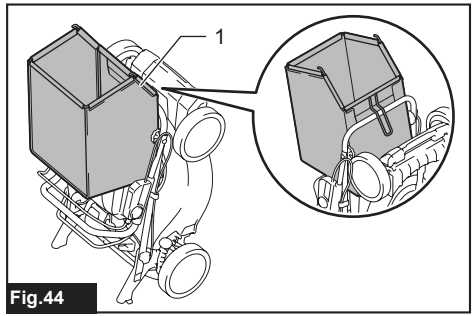


Fig.44

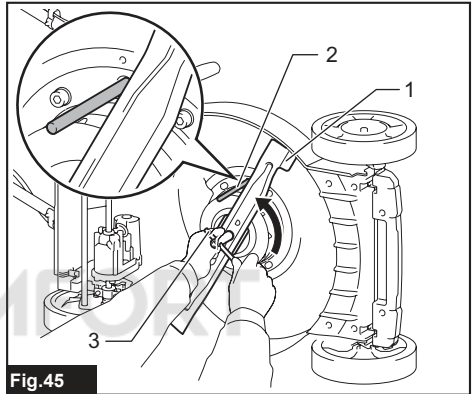


Fig.45

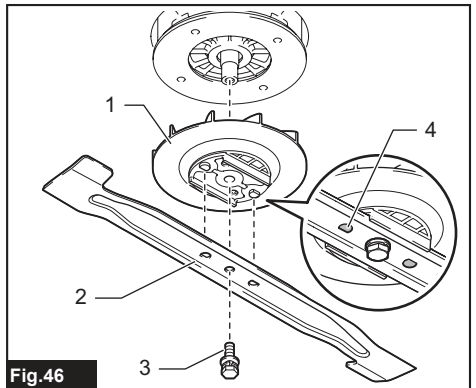


Fig.46

SPECIFICATIONS

Model:		LM001G	LM002G
Mowing width (blade diameter)		480 mm	534 mm
No load speed	Normal mode	3,200 min ⁻¹	2,800 min ⁻¹
	Soft no-load mode	2,500 - 3,200 min ⁻¹	2,300 - 2,800 min ⁻¹
	Noise reduction mode	2,500 min ⁻¹	2,300 min ⁻¹
Part number of replacement mower blade	Straight mower blade	191V97-3	191V96-5
	Straight mower blade *1	-	191W87-2
	Mulching blade	191Y64-6	191Y65-4
Dimensions (L x W x H)	during operation	L: 1,670 mm to 1,745 mm W: 550 mm H: 965 mm to 1,075 mm	L: 1,740 mm to 1,810 mm W: 595 mm H: 970 mm to 1,080 mm
	when stored (without grass basket)	585 mm x 550 mm x 900 mm	580 mm x 595 mm x 930 mm
Traveling speed		1.5 - 5.0 km/h	
Rated voltage		D.C. 36 V - 40 V max	
Net weight		28.0 - 33.0 kg	29.3 - 34.5 kg
Protection degree		IPX4	

*1. Mower blade for more efficient collection of grass.

- Due to our continuing program of research and development, the specifications herein are subject to change without notice.
- Specifications may differ from country to country.
- The weight may differ depending on the attachment(s), including the battery cartridge. The lightest and heaviest combinations, according to EPTA-Procedure 01/2014, are shown in the table.

Applicable battery cartridge and charger

Battery cartridge	BL4020 / BL4025 / BL4040* / BL4050F* / BL4080F* * : Recommended battery
Charger	DC40RA / DC40RB / DC40RC





- Some of the battery cartridges and chargers listed above may not be available depending on your region of residence.





⚠ WARNING: Only use the battery cartridges and chargers listed above. Use of any other battery cartridges and chargers may cause injury and/or fire.

⚠ WARNING: Do not use a corded power supply such as battery adapter or portable power pack with this machine. The cable of such power supply may hinder the operation and result in personal injury.

Symbols

The followings show the symbols which may be used for the equipment. Be sure that you understand their meaning before use.

	Take particular care and attention.
	Read instruction manual.
	Danger; be aware of thrown objects.
	The distance between the tool and bystanders must be at least 15 m.

	Never put your hands and feet near the mower blade under the mower. Mower blades continue to rotate after the motor is switched off.
	Warning; Disconnect battery before maintenance.
	Electrical hazard. Contact with water can cause electric shock.
	Do not pour water.



Only for EU countries
 Due to the presence of hazardous components in the equipment, waste electrical and electronic equipment, accumulators and batteries may have a negative impact on the environment and human health. Do not dispose of electrical and electronic appliances or batteries with household waste! In accordance with the European Directive on waste electrical and electronic equipment and on accumulators and batteries and waste accumulators and batteries, as well as their adaptation to national law, waste electrical equipment, batteries and accumulators should be stored separately and delivered to a separate collection point for municipal waste, operating in accordance with the regulations on environmental protection. This is indicated by the symbol of the crossed-out wheeled bin placed on the equipment.



Guaranteed sound power level according to EU Outdoor Noise Directive.



Sound power level according to Australia NSW Noise Control Regulation.

Intended use

The machine is intended for lawn mowing.

Noise

The typical A-weighted noise level determined according to EN62841-4-3:

Model LM001G

Measured sound power level (L_{WA}) : 91 dB (A)
 Guaranteed sound power level (L_{WA}) : 94 dB (A)
 Sound pressure level (L_{pA}) : 81 dB (A)
 Uncertainty for sound pressure level (K) : 3 dB (A)

Model LM002G

Measured sound power level (L_{WA}) : 91 dB (A)
 Guaranteed sound power level (L_{WA}) : 94 dB (A)
 Sound pressure level (L_{pA}) : 81 dB (A)
 Uncertainty for sound pressure level (K) : 3 dB (A)

NOTE: The declared noise emission value(s) has been measured in accordance with a standard test method and may be used for comparing one tool with another.

NOTE: The declared noise emission value(s) may also be used in a preliminary assessment of exposure.

⚠ WARNING: Wear ear protection.

⚠ WARNING: The noise emission during actual use of the power tool can differ from the declared value(s) depending on the ways in which the tool is used especially what kind of workpiece is processed.

⚠ WARNING: Be sure to identify safety measures to protect the operator that are based on an estimation of exposure in the actual conditions of use (taking account of all parts of the operating cycle such as the times when the tool is switched off and when it is running idle in addition to the trigger time).

Vibration

The vibration total value (tri-axial vector sum) determined according to EN62841-4-3:

Model LM001G

Vibration emission (a_h) : 2.5 m/s² or less
 Uncertainty (K) : 1.5 m/s²

Model LM002G

Vibration emission (a_h) : 2.5 m/s² or less
 Uncertainty (K) : 1.5 m/s²

NOTE: The declared vibration total value(s) has been measured in accordance with a standard test method and may be used for comparing one tool with another.

NOTE: The declared vibration total value(s) may also be used in a preliminary assessment of exposure.

⚠ WARNING: The vibration emission during actual use of the power tool can differ from the declared value(s) depending on the ways in which the tool is used especially what kind of workpiece is processed.

⚠ WARNING: Be sure to identify safety measures to protect the operator that are based on an estimation of exposure in the actual conditions of use (taking account of all parts of the operating cycle such as the times when the tool is switched off and when it is running idle in addition to the trigger time).

EC Declaration of Conformity

For European countries only

The EC declaration of conformity is included as Annex A to this instruction manual.

SAFETY WARNINGS

General power tool safety warnings

⚠ WARNING: Read all safety warnings, instructions, illustrations and specifications provided with this power tool. Failure to follow all instructions listed below may result in electric shock, fire and/or serious injury.

Save all warnings and instructions for future reference.

The term "power tool" in the warnings refers to your mains-operated (corded) power tool or battery-operated (cordless) power tool.

Cordless Lawn Mower Safety Warnings

1. Do not use the lawnmower in bad weather conditions, especially when there is a risk of lightning. This decreases the risk of being struck by lightning.
2. Thoroughly inspect the area for wildlife where the lawnmower is to be used. Wildlife may be injured by the lawnmower during operation.

3. **Thoroughly inspect the area where the lawnmower is to be used and remove all stones, sticks, wires, bones, and other foreign objects.** Thrown objects can cause personal injury.
4. **Before using the lawnmower, always visually inspect to see that the blade and the blade assembly are not worn or damaged.** Worn or damaged parts increase the risk of injury.
5. **Check the grass catcher frequently for wear or deterioration.** A worn or damaged grass catcher may increase the risk of personal injury.
6. **Keep guards in place. Guards must be in working order and be properly mounted.** A guard that is loose, damaged, or is not functioning correctly may result in personal injury.
7. **Keep all cooling air inlets clear of debris.** Blocked air inlets and debris may result in overheating or risk of fire.
8. **While operating the lawnmower, always wear non-slip and protective footwear. Do not operate the lawnmower when barefoot or wearing open sandals.** This reduces the chance of injury to the feet from contact with the moving blade.
9. **While operating the lawnmower, always wear long trousers.** Exposed skin increases the likelihood of injury from thrown objects.
10. **Do not operate the lawnmower in wet grass. Walk, never run.** This reduces the risk of slipping and falling which may result in personal injury.
11. **Do not operate the lawnmower on excessively steep slopes.** This reduces the risk of loss of control, slipping and falling which may result in personal injury.
12. **When working on slopes, always be sure of your footing, always work across the face of slopes, never up or down and exercise extreme caution when changing direction.** This reduces the risk of loss of control, slipping and falling which may result in personal injury.
13. **Use extreme caution when reversing or pulling the lawnmower towards you. Always be aware of your surroundings.** This reduces the risk of tripping during operation.
14. **Do not touch blades and other hazardous moving parts while they are still in motion.** This reduces the risk of injury from moving parts.
15. **When clearing jammed material or cleaning the lawnmower, make sure all power switches are off and the battery pack is disconnected.** Unexpected operation of the lawnmower may result in serious personal injury.

SAVE THESE INSTRUCTIONS.

⚠ WARNING: DO NOT let comfort or familiarity with product (gained from repeated use) replace strict adherence to safety rules for the subject product.

MISUSE or failure to follow the safety rules stated in this instruction manual may cause serious personal injury.

IMPORTANT SAFETY INSTRUCTIONS

⚠ WARNING: Read all safety warnings and all instructions. Failure to follow the warnings and instructions may result in electric shock, fire and/or serious injury.

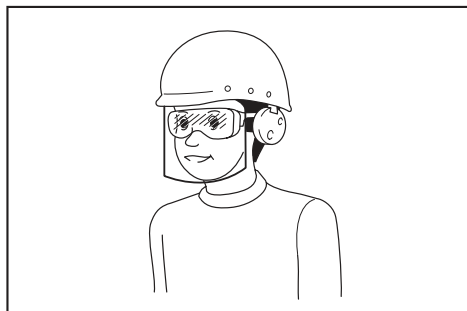
Save all warnings and instructions for future reference.

Training

1. **Read the instructions carefully. Be familiar with the controls and the proper use of the mower.**
2. **Never allow children or people unfamiliar with these instructions to use the mower.** Local regulations can restrict the age of the operator.
3. **Never operate the mower while people, especially children, or pets are nearby.**
4. **Keep in mind that the operator or user is responsible for accidents or hazards occurring to other people or their property.**
5. **Children should be supervised to ensure that they do not play with the mower.**
6. **Physical condition - Do not operate mower while under the influence of drugs, alcohol, or any medication.**

Preparation

1. **While operating the mower, always wear substantial footwear and long trousers. Do not operate the mower when barefoot or wearing open sandals. Avoid wearing clothing or jewelry that is loose fitting or that has hanging cords or ties. They can be caught in moving parts.**
2. **Before use, always visually inspect the mower for damaged, missing or misplaced guards or shields.**
3. **Be sure the area is clear of other people before mowing. Stop mower if anyone enters the area.**
4. **Always wear protective goggles to protect your eyes from injury when using power tools. The goggles must comply with ANSI Z87.1 in the USA, EN 166 in Europe, or AS/NZS 1336 in Australia/New Zealand. In Australia/New Zealand, it is legally required to wear a face shield to protect your face, too.**



It is an employer's responsibility to enforce the use of appropriate safety protective equipments by the tool operators and by other persons in the immediate working area.

5. Check the blades or blade bolts carefully for cracks or damage before operation. Replace cracked or damaged blades or blade bolts immediately.
6. Remove foreign matters such as rocks, wire, bottles, bones and large sticks from the work area before mowing to prevent personal injury or damage to the mower.
7. Objects struck by the mower blade can cause severe injuries to persons. The lawn should always be carefully examined and cleared of all objects prior to each mowing.
8. Watch for holes, ruts, bumps, rocks, or other hidden objects. Uneven terrain could cause a slip and fall accident. Tall grass can hide obstacles.
9. Use personal protective equipment. Always wear eye protection. Protective equipment such as a dust mask, non-skid safety shoes, hard hat or hearing protection used for appropriate conditions will reduce personal injuries.
13. Do not tilt the mower when switching on the motor, except if the mower has to be tilted for starting. In this case, do not tilt it more than absolutely necessary and lift only the part, which is away from the operator. Always ensure that both hands are in the operating position before returning the mower to the ground.
14. Do not put hands or feet near or under rotating parts. Keep clear of the discharge opening at all times.
15. Do not transport the mower while the mower is turned on.
16. Avoid operating the mower in wet grass.
17. Always keep a firm hold on the handle.
18. Don't grasp the exposed cutting blades or cutting edges when picking up or holding the mower.
19. Keep hands and feet away from rotating blades. Caution - Blades coast after the mower is switched off.

Operation

1. Do not overreach. Keep the balance at all times. Always be sure of the footing on slopes. Walk, never run.
2. Stop the mower and turn off the machine, and make sure that all moving parts have come to a complete stop:
 - whenever you leave the mower,
 - before clearing blockages or unclogging chute,
 - before checking, cleaning or working on the mower,
 - after striking a foreign object. Inspect the mower for damage and make repairs before restarting and operating the mower,
 - whenever the mower starts vibrating abnormally.
3. Never operate the mower with defective guards or shields, or without safety devices, for example deflectors and/or grass basket, in place.
4. Avoid using the mower in bad weather conditions especially when there is a risk of lightning.
5. Wear eye protection and stout shoes at all times while operating the mower.
6. Operate the mower only in daylight or in good artificial light.
7. Switch on the mower carefully according to instructions and with feet well away from the blade(s).
8. Take care against injury to feet and hands from the mower blades.
9. Always ensure that the ventilation openings are kept clear of debris.
10. Mow across the face of slopes, never up and down. Exercise extreme caution when changing direction on slopes. Do not mow excessively steep slopes.
11. Use extreme caution when reversing or pulling the mower towards you.
12. Stop the blade(s) if the mower has to be tilted for transportation when crossing surfaces other than grass, and when transporting the mower to and from the area to be used.
20. Stop operation immediately if you notice anything unusual. Switch off the mower. Then inspect the mower.
21. Never attempt to make cutting height adjustments while mower is running if the mower has cutting height adjustment feature.
22. Release switch lever and wait for blade rotation to stop before crossing driveways, walks, roads, and any gravel-covered areas. Also turn off the machine if you leave the mower, reach to pick up or remove something out of your way, or for any other reason that may distract you from what you are doing.
23. If the mower strikes a foreign object, follow these steps:
 - Stop the mower, release the switch lever and wait until the blade comes to a complete stop.
 - Remove the battery cartridge.
 - Thoroughly inspect the mower for any damage.
 - Replace the blade if it is damaged in any way.
 - Repair any damage before restarting and continuing to operate the mower.
24. Do not start the mower when standing in front of the discharge opening.
25. If the mower starts to vibrate abnormally (check immediately)
 - inspect for damage,
 - replace or repair any damaged parts,
 - check for and tighten any loose parts.
26. Never direct discharged material toward anyone. Avoid discharging material against a wall or obstruction. Material may ricochet back toward the operator. Stop the blade when crossing gravel surfaces.
27. Do not pull the mower backwards unless absolutely necessary. When you are compelled to back the mower from a fence or other similar obstruction, look down and behind before and while moving backwards.
28. Shut the motor off and wait until the blade comes to a complete stop before removing the grass catcher. Beware that the blades coast after turn off.

29. When you use the machine on muddy ground, wet slope, or slippery place, pay attention to your footing.
30. Do not submerge the machine into a puddle.
31. When operating the machine, pay attention to piping and wiring.

Maintenance and storage

1. Replace worn or damaged parts for safety. Use only genuine replacement parts and accessories.
2. Inspect and maintain the mower regularly.
3. When not in use, store the mower out of the reach of children.
4. Keep all nuts, bolts, and screws tight to be sure the equipment is in safe working condition.
5. Check the grass basket frequently for wear or deterioration. For storage, always make sure the grass basket is empty. Replace a worn grass basket with a new factory replacement for safety.
6. Use only the manufacturer genuine blades specified in this manual.
7. Be careful during adjustment of the mower to prevent entrapment of the fingers between moving blades and fixed parts of the mower.
8. Check the blade mounting bolt at frequent intervals for proper tightness.
9. Always allow the mower to cool down before storing.
10. When servicing the blades be aware that, even though the power source is switched off, the blades can still be moved.
11. Never remove or tamper with safety devices. Check their proper operation regularly. Never do anything to interfere with the intended function of a safety device or to reduce the protection provided by a safety device.
12. Do not leave the machine unattended outdoors in the rain.
13. When storing the machine, avoid direct sunlight and rain, and store it in a place where it does not get hot or humid.

Battery tool use and care

1. Recharge only with the charger specified by the manufacturer. A charger that is suitable for one type of battery pack may create a risk of fire when used with another battery pack.
2. Use power tools only with specifically designed battery packs. Use of any other battery packs may create a risk of injury and fire.
3. When battery pack is not in use, keep it away from other metal objects, like paper clips, coins, keys, nails, screws or other small metal objects, that can make a connection from one terminal to another. Shorting the battery terminals together may cause burns or a fire.
4. Under abusive conditions, liquid may be ejected from the battery; avoid contact. If contact accidentally occurs, flush with water. If liquid contacts eyes, additionally seek medical help. Liquid ejected from the battery may cause irritation or burns.

5. Do not use a battery pack or tool that is damaged or modified. Damaged or modified batteries may exhibit unpredictable behaviour resulting in fire, explosion or risk of injury.
6. Do not expose a battery pack or tool to fire or excessive temperature. Exposure to fire or temperature above 130 °C may cause explosion.
7. Follow all charging instructions and do not charge the battery pack or tool outside the temperature range specified in the instructions. Charging improperly or at temperatures outside the specified range may damage the battery and increase the risk of fire.

Electrical and battery safety

1. Do not dispose of the battery(ies) in a fire. The cell may explode. Check with local codes for possible special disposal instructions.
2. Do not open or mutilate the battery(ies). Released electrolyte is corrosive and may cause damage to the eyes or skin. It may be toxic if swallowed.
3. Do not charge battery in rain, or in wet locations.
4. Do not charge the battery outdoors.
5. Do not handle charger, including charger plug, and charger terminals with wet hands.
6. Do not replace the battery in the rain.
7. Do not wet the terminal of battery with liquid such as water, or submerge the battery. Do not leave the battery in the rain, nor charge, use, or store the battery in a damp or wet place. If the terminal gets wet or liquid enters inside of battery, the battery may be short circuited and there is a risk of overheat, fire, or explosion.
8. After removing the battery from the machine or charger, be sure to attach the battery cover to the battery and store it in a dry place.
9. Do not replace the battery with wet hands.
10. Avoid dangerous environment. Don't use the machine in dump or wet locations or expose it to rain. Water entering the machine will increase the risk of electric shock.
11. If the battery cartridge gets wet, drain the water inside and then wipe it with a dry cloth. Dry the battery cartridge completely in a dry place before use.

Service

1. Have your power tool serviced by a qualified repair person using only identical replacement parts. This will ensure that the safety of the power tool is maintained.
2. Never service damaged battery packs. Service of battery packs should only be performed by the manufacturer or authorized service providers.

SAVE THESE INSTRUCTIONS.

⚠WARNING: DO NOT let comfort or familiarity with product (gained from repeated use) replace strict adherence to safety rules for the subject product.

MISUSE or failure to follow the safety rules stated in this instruction manual may cause serious personal injury.

Important safety instructions for battery cartridge

1. Before using battery cartridge, read all instructions and cautionary markings on (1) battery charger, (2) battery, and (3) product using battery.
2. Do not disassemble or tamper with the battery cartridge. It may result in a fire, excessive heat, or explosion.
3. If operating time has become excessively shorter, stop operating immediately. It may result in a risk of overheating, possible burns and even an explosion.
4. If electrolyte gets into your eyes, rinse them out with clear water and seek medical attention right away. It may result in loss of your eyesight.
5. Do not short the battery cartridge:
 - (1) Do not touch the terminals with any conductive material.
 - (2) Avoid storing battery cartridge in a container with other metal objects such as nails, coins, etc.
 - (3) Do not expose battery cartridge to water or rain.

A battery short can cause a large current flow, overheating, possible burns and even a breakdown.
6. Do not store and use the tool and battery cartridge in locations where the temperature may reach or exceed 50 °C (122 °F).
7. Do not incinerate the battery cartridge even if it is severely damaged or is completely worn out. The battery cartridge can explode in a fire.
8. Do not nail, cut, crush, throw, drop the battery cartridge, or hit against a hard object to the battery cartridge. Such conduct may result in a fire, excessive heat, or explosion.
9. Do not use a damaged battery.
10. The contained lithium-ion batteries are subject to the Dangerous Goods Legislation requirements. For commercial transports e.g. by third parties, forwarding agents, special requirement on packaging and labeling must be observed. For preparation of the item being shipped, consult an expert for hazardous material is required. Please also observe possibly more detailed national regulations. Tape or mask off open contacts and pack up the battery in such a manner that it cannot move around in the packaging.
11. When disposing the battery cartridge, remove it from the tool and dispose of it in a safe place. Follow your local regulations relating to disposal of battery.
12. Use the batteries only with the products specified by Makita. Installing the batteries to non-compliant products may result in a fire, excessive heat, explosion, or leak of electrolyte.
13. If the tool is not used for a long period of time, the battery must be removed from the tool.
14. During and after use, the battery cartridge may take on heat which can cause burns or low temperature burns. Pay attention to the handling of hot battery cartridges.

15. Do not touch the terminal of the tool immediately after use as it may get hot enough to cause burns.
16. Do not allow chips, dust, or soil stuck into the terminals, holes, and grooves of the battery cartridge. It may cause heating, catching fire, burst and malfunction of the tool or battery cartridge, resulting in burns or personal injury.
17. Unless the tool supports the use near high-voltage electrical power lines, do not use the battery cartridge near a high-voltage electrical power lines. It may result in a malfunction or breakdown of the tool or battery cartridge.
18. Keep the battery away from children.

SAVE THESE INSTRUCTIONS.

CAUTION: Only use genuine Makita batteries. Use of non-genuine Makita batteries, or batteries that have been altered, may result in the battery bursting causing fires, personal injury and damage. It will also void the Makita warranty for the Makita tool and charger.

Tips for maintaining maximum battery life

1. Charge the battery cartridge before completely discharged. Always stop tool operation and charge the battery cartridge when you notice less tool power.
2. Never recharge a fully charged battery cartridge. Overcharging shortens the battery service life.
3. Charge the battery cartridge with room temperature at 10 °C - 40 °C (50 °F - 104 °F). Let a hot battery cartridge cool down before charging it.
4. When not using the battery cartridge, remove it from the tool or the charger.
5. Charge the battery cartridge if you do not use it for a long period (more than six months).

ASSEMBLY

WARNING: Always be sure that all the battery cartridges are removed before carrying out any work on the machine. Failure to remove all the battery cartridges may result in serious personal injury from accidental start-up.

WARNING: Never start the mower unless it is completely assembled. Operation of the machine in a partially assembled state may result in serious personal injury from accidental start-up.

Installing the handle

NOTICE: When installing the handles, be careful not to pinch the cord between the handles. If the cord is damaged, the mower switch may not work.

1. Align the hole in the lower handle with the hole in the upper handle, then insert the bolt from outside, and then tighten the thumb nut from inside. Perform the same procedure on the other side.

► **Fig.1:** 1. Bolt 2. Thumb nut 3. Lower handle
4. Upper handle

2. Turn the knob 90° while pulling the knob on the lower handle to release the locking pin. Perform the same procedure on the other side. Raise the handle, and then turn the knob on both sides 90°. Make sure that the knobs are securely fixed.

► **Fig.2:** 1. Knob

NOTE: Supporting the handle makes it easier to release the locking pin when pulling the knob.

NOTE: When turning the knob, be careful not to get the cord caught in the knob.

► **Fig.3:** 1. Knob

Removing the mulching plug

1. Open the rear cover.

► **Fig.4:** 1. Rear cover

2. Lift up the mulching plug slightly, and then remove it.

► **Fig.5:** 1. Mulching plug

Assembling the grass basket

1. Pick up the upper clip of the grass basket.

► **Fig.6:** 1. Upper clip

2. Insert the frame into the grass basket as far as it will go while holding the handle of the frame.

► **Fig.7:** 1. Handle

NOTICE: Do not insert the handle into the grass basket. Be sure to insert the frame along the stitch of the grass basket.

3. Make sure that there is no sagging on the corners of the grass basket.

► **Fig.8**

4. Open the upper clip, and attach it to the frame.

► **Fig.9**

5. Attach all the other clips as shown in the figure. Make sure that all the clips are securely attached to the frame.

► **Fig.10:** 1. Clip

Installing or removing the grass basket

To install the grass basket, follow the steps below.

1. Open the rear cover.

► **Fig.11:** 1. Rear cover

2. Hold the handle of the grass basket, and then hook the grass basket on the rod of the mower body as shown in the figure.

► **Fig.12:** 1. Grass basket 2. Handle 3. Rod

To remove the grass basket, open the rear cover, and then remove the grass basket by holding the handle.

Attaching the mulching plug

1. Open the rear cover, and then remove the grass basket.

► **Fig.13:** 1. Rear cover 2. Grass basket

2. Attach the mulching plug by pushing it as far as it will go so that the protrusions on the mulching plug fit into the holes on the machine.

► **Fig.14:** 1. Mulching plug 2. Protrusion

Installing or removing the discharge chute

To install the discharge chute, follow the steps below.

1. Open the rear cover, and then remove the grass basket and mulching plug.

2. Hook the holes on the the discharge chute to the protrusions on the mower body as shown in the figure.

► **Fig.15:** 1. Discharge chute 2. Protrusion

To remove the discharge chute, open the rear cover, and then remove the discharge chute.

FUNCTIONAL DESCRIPTION

Installing or removing battery cartridge

CAUTION: Always switch off the machine before installing or removing of the battery cartridge.

CAUTION: Hold the machine and the battery cartridge firmly when installing or removing battery cartridge. Failure to hold the machine and the battery cartridge firmly may cause them to slip off your hands and result in damage to the machine and battery cartridge and a personal injury.

CAUTION: Make sure that you lock the battery cover before use. Otherwise, mud, dirt, or water may cause damage to the product or the battery cartridge.

CAUTION: Always install the battery cartridge fully until the red indicator cannot be seen. If not, it may accidentally fall out of the machine, causing injury to you or someone around you.

CAUTION: Do not install the battery cartridge forcibly. If the cartridge does not slide in easily, it is not being inserted correctly.

CAUTION: Hold the battery cover firmly when installing or removing the battery cartridge.

To install the battery cartridge;

1. Pull up the locking lever, and then open the battery cover.

► **Fig.16:** 1. Battery cover 2. Locking lever

2. Align the tongue on the battery cartridge with the slot on the machine, and then slide the cartridge until it locks in place with a little click.

► **Fig.17:** 1. Battery cartridge

3. Close the battery cover and push it until it is latched with the locking lever.

To remove the battery cartridge;

1. Pull up the locking lever and open the battery cover.
2. Pull out the battery cartridge from the machine while sliding the button on the front of the cartridge.
3. Close the battery cover.

Machine / battery protection system

The machine is equipped with a machine/battery protection system. This system automatically cuts off power to the motor to extend machine and battery life. The machine will automatically stop during operation if the machine or battery is placed under one of the following conditions:

Overload protection

When the battery is operated in a manner that causes it to draw an abnormally high current, the machine automatically stops and the main power lamp blinks in green. In this situation, turn the machine off and stop the application that caused the machine to become overloaded. Then turn the machine on to restart.

Overheat protection

When the machine is overheated, the machine stops automatically and the main power lamp lights up in red. In this case, let the machine and batteries cool before turning the machine on again.

NOTE: When the battery is overheated, the main power lamp blinks in red.

Overdischarge protection

When the battery capacity is not enough, the machine stops automatically and the main power lamp blinks in red. In this case, remove the battery from the machine and charge the battery cartridges or change the battery cartridges to fully charged ones.

Protections against other causes

Protection system is also designed for other causes that could damage the machine and allows the machine to stop automatically. Take all the following steps to clear the causes, when the machine has been brought to a temporary halt or stop in operation.

1. Turn the machine off, and then turn it on again to restart.
2. Charge the battery(ies) or replace it/them with recharged battery(ies).
3. Let the machine and battery(ies) cool down.

If no improvement can be found by restoring protection system, then contact your local Makita Service Center.

NOTICE: If the machine stops due to a cause not described above, refer to the section for troubleshooting.

Indicating the remaining battery capacity

► Fig.18: 1. Battery indicator

When the remaining battery capacity gets low, the battery indicator blinks on the applicable battery side. By further use, the machine stops and the battery indicator lights up. In this situation, charge the battery cartridge.

NOTE: If two battery cartridges are installed, the battery installed on the left side is used first.

NOTE: If two battery cartridges are installed, the machine automatically switches the battery when the battery in use becomes empty.

Indicating the remaining battery capacity

Press the check button on the battery cartridge to indicate the remaining battery capacity. The indicator lamps light up for a few seconds.

► Fig.19: 1. Indicator lamps 2. Check button

Indicator lamps			Remaining capacity
Lighted	Off	Blinking	
■	□	◐	75% to 100%
■ ■ ■	■ ■ ■	■ ■ ■	50% to 75%
■ ■ ■	■ ■ ■	□ □ □	25% to 50%
■ ■ ■	□ □ □	□ □ □	0% to 25%
◐	□ □ □	□ □ □	Charge the battery.
■ ■ ■	□ □ □	□ □ □	The battery may have malfunctioned.
□ □ □	■ ■ ■	■ ■ ■	

NOTE: Depending on the conditions of use and the ambient temperature, the indication may differ slightly from the actual capacity.

NOTE: The first (far left) indicator lamp will blink when the battery protection system works.

Control panel

The control panel has the main power switch and the mode switching button.

- Fig.20: 1. Soft no-load mode lamp 2. Noise reduction mode lamp 3. Mode switching button 4. Main power lamp 5. Main power switch

Main power switch

⚠WARNING: Always turn off the main power switch when not in use.

To turn on the machine, press the main power switch. The main power lamp lights up in green. To turn off the machine, press the main power switch again.

NOTE: If the main power lamp lights up in red or blinks in red or green, refer to the instructions for machine/battery protection system.

NOTE: This machine employs the auto power-off function. To avoid unintentional start up, the main power switch will automatically shut down when the switch lever and drive lever (if equipped) are not pulled for a certain period after the main power switch is turned on.

Mode switching button

You can switch the operating mode by pressing the mode switching button. When the machine is turned on, the machine starts up in the normal mode. Refer to the table below for each mode.

Mode	Lamp	Description
Normal mode	Both the soft no-load mode lamp and noise reduction mode lamp are off.	The machine works in the normal mode.
Soft no-load mode	The soft no-load mode lamp lights up in green.	You can minimize a start-up shock and start the machine smoothly.
Noise reduction mode	The noise reduction mode lamp lights up in green.	You can decrease the noise at mowing.

Switch action

⚠ WARNING: Before installing the battery cartridge, always check to see that the switch lever actuates properly and returns to the original position when released. Operating the machine with a switch that does not actuate properly can lead to loss of control and serious personal injury.

NOTE: The mower does not start without pressing the switch button even the switch lever is pulled.

NOTE: Mower may not start due to the overload when you try to mow long or dense grass at a time. Increase the mowing height in this case.

This machine is equipped with the switch button. If you notice anything unusual with the switch button, stop the operation immediately and have it checked by your nearest Makita Authorized Service Center.

1. Install the battery cartridges, and then close the battery cover.
2. Press the main power switch.

NOTE: The main power lamp blinks in green if you press the main power switch while pulling the switch lever. Release the switch lever before pressing the main power switch.

3. Pull the switch lever toward you while holding down the switch button. Release the switch button when the motor starts running.

► **Fig.21:** 1. Switch button 2. Switch lever

4. While holding the switch lever, push the drive lever forward and hold it to drive the rear wheels.

► **Fig.22:** 1. Drive lever

NOTE: You can drive the rear wheels by pushing the drive lever forward and hold it without pulling the switch lever.

5. Release the drive lever and the switch lever to stop the machine.

Adjusting the mowing height

⚠ WARNING: Never put your hand or leg under the mower body when adjusting the mowing height.

⚠ WARNING: Always make sure that the lever fits in the groove properly before operation.

The mowing height can be adjusted in the range of between 20 mm and 100 mm.

Turn off the machine, and then pull the mowing height adjusting lever outward of the mower body and move it to your desired mowing height.

► **Fig.23:** 1. Mowing height adjusting lever

The table below shows the relationship between the number on the mower body and the approximate mowing height.

Number	Mowing height
1	20 mm
2	26 mm
3	32 mm
4	39 mm
5	47 mm
6	55 mm
7	63 mm
8	74 mm
9	86 mm
10	100 mm

Hold the lower handle with one hand, and then move the mowing height adjusting lever with the other hand.

► **Fig.24:** 1. Mowing height adjusting lever 2. Lower handle

NOTE: The mowing height figures should be used just as a guideline. Depending on the conditions of the lawn or the ground, the actual lawn height may become slightly different from the set height.

NOTE: Try a test mowing of grass in a less conspicuous place to get your desired height.

Grass level indicator

Grass level indicator shows the volume of mowed grass. When the grass basket is not full, the indicator floats while the blades are running.

► **Fig.25:** 1. Grass level indicator

When the grass basket is almost full, the indicator does not float while the blades are running. In this case, stop the operation immediately and empty the basket.

► **Fig.26:** 1. Grass level indicator

NOTE: This indicator is a rough guide. Depending on the conditions of inside of the basket, this indicator may not work properly.

Adjusting the handle height

The handle height can be adjusted in two levels.

1. Hold the lower handle, and then turn the knob 90° while pulling the knob on the lower handle to release the locking pin. Perform the same procedure on the other side.

► **Fig.27:** 1. Lower handle 2. Knob

NOTE: Supporting the handle makes it easier to release the locking pin when pulling the knob.

2. Adjust the handle height, and then turn the knob on both sides 90°. Make sure that the knobs are securely fixed.

► **Fig.28:** 1. Knob

Adjusting the traveling speed

► **Fig.29:** 1. Speed lever

The traveling speed can be adjusted with the speed lever. To decrease the speed, pull the lever toward you, and to increase the speed, turn the lever forward.

Using mulching plug

The mulching plug allows you to return the cut grass to the ground without gathering the cut grass in the grass basket. When you operate the machine with the mulching plug, be sure to remove the grass basket or discharge chute.

NOTICE: When using the machine with the mulching plug, make sure that the total length of grass after cutting is 30 mm or more, and the cut length is 15 mm or less.

► **Fig.30:** (1) 30 mm or more (2) 15 mm or less

Using the discharge chute

The discharge chute allows you to discharge the cut grass to the ground from the right side of the machine without gathering the cut grass in the grass basket. When you operate the machine with the discharge chute, be sure to remove the grass basket and mulching plug.

Using the rear discharge

Using the rear discharge allows you to discharge the cut grass to the ground from the rear side of the machine without gathering the cut grass in the grass basket. When you operate the machine using the rear discharge, be sure to remove the mulching plug, and grass basket or discharge chute, and close the rear cover.

Electronic function

The machine is equipped with the electronic functions for easy operation.

- Soft start at driving
The soft-start function minimizes start-up shock, and makes the machine start smoothly.
- Electric brake
This machine is equipped with an electric brake. If the machine consistently fails to quickly stop the mower blades after releasing the switch lever, have the machine serviced at Makita Authorized Service Center.

OPERATION

Mowing

⚠WARNING: Before mowing, clear away sticks and stones from mowing area. Furthermore, clear away any weeds from mowing area in advance.

⚠WARNING: Always wear the safety goggles or safety glasses with side shields when operating the mower.

⚠CAUTION: If the cut grass or foreign object blocks up inside of the mower body, be sure to remove the battery cartridges and wear gloves before removing the grass or foreign object.

NOTICE: Use this machine for mowing lawn only. Do not mow weeds with this machine.

► **Fig.31**

Firmly hold the handle with both hands when mowing. The mowing speed guideline is approximately 7 to 14 meters per 10 seconds.

► **Fig.32**

NOTE: When cutting long lawn or dense lawn, if the unevenness in the length of lawn or poor finish is found after mowing, or decrease of the motor speed is found during mowing, decrease the mowing speed lower than recommended in this manual, or raise the mowing height.

The center lines of the front wheels are guidelines to mowing width. Using the center lines as guidelines, mow in strips. Overlap by one half to one third the previous strip to mow the lawn evenly.

► **Fig.33:** 1. Mowing width 2. Overlapping area
3. Center line

Change the mowing direction each time to prevent the grass grain pattern from forming in just one direction.

► **Fig.34**

Periodically check the grass basket for mowed grass. Empty the grass before it becomes full. Before every periodical check, be sure to stop and turn off the machine.

NOTICE: Using the mower with the grass basket full prevents smooth blade rotation and places an extra load on the motor, which may cause breakdown.

Mowing long lawn

Do not try to cut long lawn all at once. Instead, mow the lawn in steps. Leave a day or two between mowings until the lawn becomes evenly short.

► **Fig.35**

NOTE: Mowing long lawn to short length all at once may cause the lawn to die. The cut lawn may also block up inside of the mower body.

NOTE: If the unevenness in the length of lawn or poor finish is found after mowing, or decrease of the motor speed is found during mowing, decrease the mowing speed, or raise the mowing height.

Emptying the grass basket

⚠ WARNING: To reduce a risk of accident, regularly check the grass basket for any damage or weakened strength. Replace the grass basket if necessary.

1. Release the switch lever and drive lever.
2. Turn off the machine.
3. Open the rear cover and take out the grass basket by holding the handle.
▶ Fig.36: 1. Rear cover 2. Handle 3. Grass basket
4. Empty the grass basket.

MAINTENANCE

⚠ WARNING: Always be sure that all the battery cartridges are removed from the machine before storing or carrying the machine or attempting to perform inspection or maintenance.

⚠ WARNING: Wear gloves when performing inspection or maintenance.

⚠ WARNING: Always wear the safety goggles or safety glasses with side shields when performing inspection or maintenance.

NOTICE: Never use gasoline, benzene, thinner, alcohol or the like. Discoloration, deformation or cracks may result.

To maintain product SAFETY and RELIABILITY, repairs, any other maintenance or adjustment should be performed by Makita Authorized or Factory Service Centers, always using Makita replacement parts.

Maintenance

1. Remove all the battery cartridges, and then close the battery cover.
2. Put the mower on its side. Clean grass clippings accumulated on the underside of mower deck.
3. Pour water toward the bottom of the machine to which the blade is attached.

NOTICE: Do not wash the machine with high pressure water.

4. Check all nuts, bolts, screws, etc. for tightness.
5. Inspect moving parts for damage, breakage, and wear. Damaged or missing parts should be repaired or replaced.
6. Store the mower in a safe place out of the reach of children.

NOTICE: Do not pour water to the area shown in the figure. Pouring water to the motor unit may cause a malfunction of the machine.

- ▶ Fig.37: 1. Area where water should not be poured

NOTICE: Do not pour water on the machine while the machine is in the upright position as shown in the figure. If the machine is in the upright position, water may pour down the motor unit, and cause a malfunction of the machine.

- ▶ Fig.38

Carrying the mower

⚠ CAUTION: Before carrying the mower, make sure that all the battery cartridges are removed.

When carrying the mower, hold the rear grip and the lower holding part at the front of the machine with two people as shown in the figure.

- ▶ Fig.39: 1. Lower holding part 2. Rear grip

Storing

⚠ CAUTION: When putting the machine in the upright position, place the machine on a flat and stable surface. If the machine is placed on an unstable surface, the machine may fall over and cause an injury.

Store mower indoors in a cool, dry and locked place. Don't store the mower and charger in locations where the temperature may reach or exceed 40 °C.

1. Remove all the battery cartridges.
2. Turn the knob 90° while pulling the knob on the lower handle to release the locking pin. Perform the same procedure on the other side, and then fold the handle.
▶ Fig.40: 1. Knob

NOTE: Supporting the handle makes it easier to release the locking pin when pulling the knob.

3. Turn the knob on both sides 90°. Make sure that the knobs are securely fixed.

- ▶ Fig.41: 1. Knob

NOTICE: Be careful not to pinch the cords when folding the handle.

4. Loosen the thumb nuts on both sides, and then fold the upper handle as shown in the figure.

- ▶ Fig.42: 1. Thumb nut 2. Upper handle

5. Place the machine in the upright position.

NOTE: When putting the mower in the upright position, do not hold the handle only, but hold the mower body and handle.

6. Store the grass basket as shown in the figure.

- ▶ Fig.43: 1. Grass basket

- ▶ Fig.44: 1. Grass basket

Removing or installing the mower blade

⚠ WARNING: The blade coasts for a few seconds after releasing the switch. Do not start any operation until the blade comes to a complete stop.

⚠ WARNING: Always remove all the battery cartridges when removing or installing the blade. Failure to remove all the battery cartridges may cause a serious injury.

⚠ WARNING: Always wear gloves when handling the blade.

Removing the mower blade

1. Put the mower on its side so that the mowing height adjusting lever comes to the upper side.
2. To lock the blade, insert the pin into the hole on the mower body as far as it will go.
3. Turn the bolt counterclockwise with box wrench 17.

► **Fig.45:** 1. Mower blade 2. Pin 3. Box wrench

4. Remove the bolt, and then mower blade.
- **Fig.46:** 1. Blade support 2. Mower blade 3. Bolt 4. Protrusion

NOTICE: When installing the mower blade, make sure that the protrusions on the blade support fit in the holes in the mower blade.

Installing the mower blade

⚠WARNING: Install the mower blade carefully. It has a top/bottom facing.

⚠WARNING: Tighten the bolt clockwise firmly to secure the blade.

⚠WARNING: Make sure that the mower blade and all the fixing parts are installed correctly and tightened securely.

⚠WARNING: When you replace the blades, always follow the instructions provided in this manual.

NOTICE: After installing the mower blades, remove the pin from the mower body.

To install the mower blades, perform the removal procedure in reverse.

TROUBLESHOOTING

Before asking for repairs, conduct your own inspection first. If you find a problem that is not explained in the manual, do not attempt to disassemble the machine. Instead, ask Makita Authorized Service Centers, always using Makita replacement parts for repairs.

State of abnormality	Probable cause (malfunction)	Remedy
Mower does not start.	Battery cartridge is not installed.	Install charged battery cartridge.
	Battery problem (under voltage)	Recharge the battery cartridge. If recharging is not effective, replace battery cartridge.
Motor stops running after a little use.	Battery's charge level is low.	Recharge the battery cartridge. If recharging is not effective, replace battery cartridge.
	Cutting height is too low.	Increase the cutting height.
	Cut grass is clogged in the mower.	Remove the clogged grass from the mower.
Motor does not reach maximum RPM.	Battery cartridge is installed improperly.	Install the battery cartridge as described in this manual.
	Battery power is dropping.	Recharge the battery cartridge. If recharging is not effective, replace battery cartridge.
	The drive system does not work correctly.	Ask your local authorized service center for repair.
Mower blade does not rotate: ⇒ stop the mower immediately!	Foreign object such as a branch is jammed near the blade.	Remove the foreign object.
	The drive system does not work correctly.	Ask your local authorized service center for repair.
Abnormal vibration: ⇒ stop the mower immediately!	Blade is imbalanced, excessively or unevenly worn.	Replace the blade.

OPTIONAL ACCESSORIES

⚠CAUTION: These accessories or attachments are recommended for use with your Makita machine specified in this manual. The use of any other accessories or attachments might present a risk of injury to persons. Only use accessory or attachment for its stated purpose.

If you need any assistance for more details regarding these accessories, ask your local Makita Service Center.

- Mower blade
- Makita genuine battery and charger

NOTE: Some items in the list may be included in the product package as standard accessories. They may differ from country to country.

SPECIFIKATIONER

Modell:		LM001G	LM002G
Klippbredd (knivdiameter)		480 mm	534 mm
Hastighet utan belastning	Normalt läge	3 200 min ⁻¹	2 800 min ⁻¹
	Mjukt läge utan belastning	2 500 - 3 200 min ⁻¹	2 300 - 2 800 min ⁻¹
	Bullerdämpningsläge	2 500 min ⁻¹	2 300 min ⁻¹
Artikelnummer för byte av gräsklipparkniv	Rak gräsklipparkniv	191V97-3	191V96-5
	Rak gräsklipparkniv *1	-	191W87-2
	Mulchblad	191Y64-6	191Y65-4
Dimensioner (L x B x H)	vid användning	L: 1 670 mm till 1 745 mm B: 550 mm H: 965 mm till 1 075 mm	L: 1 740 mm till 1 810 mm B: 595 mm H: 970 mm till 1 080 mm
	vid förvaring (utan gräsuppsamlare)	585 mm x 550 mm x 900 mm	580 mm x 595 mm x 930 mm
Rullhastighet		1,5 - 5,0 km/h	
Märkspänning		36 V - 40 V likström max	
Nettovikt		28,0 - 33,0 kg	29,3 - 34,5 kg
Skyddsgrad		IPX4	

*1. Gräsklipparkniv för effektivare uppsamling av gräs.

- På grund av vårt pågående program för forskning och utveckling kan dessa specifikationer ändras utan föregående meddelande.
- Specifikationer kan variera mellan olika länder.
- Vikten kan variera beroende på tillbehören, inklusive batterikassett. Den lättaste och den tyngsta kombinationen enligt EPTA-procedur 01/2014 visas i tabellen.

Tillgänglig batterikassett och laddare

Batterikassett	BL4020 / BL4025 / BL4040* / BL4050F* / BL4080F* * : Rekommenderat batteri
Laddare	DC40RA / DC40RB / DC40RC





- Vissa av batterikassetterna och laddarna på listan ovan kanske inte finns tillgängliga i din region.

⚠ VARNING: Använd endast batterikassetter och laddare från listan ovan. Användning av andra batterikassetter och laddare kan orsaka personskada och/eller brand.

⚠ VARNING: Använd inte en strömförsörjning med sladd, som en batteriadapter eller bärbart strömpaket, med denna maskin. Kabeln till sådan anordning kan hindra användningen och leda till personskada.

Symboler

Följande visar symbolerna som kan användas för utrustningen. Se till att du förstår innebörden innan användning.

	Var extra försiktig och uppmärksam.
	Läs igenom bruksanvisningen.
	Fara! Se upp för flygande föremål.
	Avståndet mellan maskinen och åskådare måste vara minst 15 m.



Placera aldrig dina händer eller fötter nära gräsklipparkniven under gräsklipparen. Gräsklipparknivarna fortsätter att rotera efter det att motorn stängts av.



Varning: Koppla från batteriet före underhåll.



Risk för elektrisk stöt. Kontakt med vatten kan orsaka elstöt.



Håll inte på vatten.



Gäller endast inom EU
P.g.a. förekomsten av farliga komponenter i utrustningen kan avfall innehållande elektrisk och elektronisk utrustning, ackumulatörer och batterier ha negativ inverkan på miljön och människors hälsa. Kasserar inte elektriska och elektroniska apparater eller batterier ihop med hushållsavfall! I enlighet med EU-direktiven om avfall som utgörs av eller innehåller elektrisk och elektronisk utrustning och om batterier och ackumulatörer och förbrukade batterier och ackumulatörer, och dess införlivande i nationell lagstiftning, bör förbrukad elektrisk och elektronisk utrustning, batterier och ackumulatörer förvaras separat och transporteras till en särskild uppsamlingsplats för kommunalt avfall, som drivs i enlighet med regelverket för miljöskydd. Detta anges av symbolen med den överkryssade soptunnan på hjul som sitter på utrustningen.



Garanterad ljudeffektivitet enligt EU-direktivet för utomhusbuller.



Ljudeffektivitet enligt Australia NSW Noise Control Regulation (Bullerreglering)

Avsedd användning

Maskinen är avsedd för gräsklippning.

Buller

Den normala bullernivån för A-belastning är bestämd enligt EN62841-4-3:

Modell LM001G

Uppmått ljudeffektivitet (L_{WA}): 91 dB (A)
Garanterad ljudeffektivitet (L_{WA}): 94 dB (A)
Ljudtrycksnivå (L_{pA}): 81 dB (A)
Måttolerans för ljudeffektivitet (K): 3 dB (A)

Modell LM002G

Uppmått ljudeffektivitet (L_{WA}): 91 dB (A)
Garanterad ljudeffektivitet (L_{WA}): 94 dB (A)
Ljudtrycksnivå (L_{pA}): 81 dB (A)
Måttolerans för ljudeffektivitet (K): 3 dB (A)

OBS: Det deklarerade bullervärdet har uppmätts i enlighet med standardtestmetoden och kan användas för jämförandet av en maskin med en annan.

OBS: Det deklarerade bulleremissionsvärdet kan också användas i en preliminär bedömning av exponering för vibration.

⚠️ VARNING: Använd hörselskydd.

⚠️ VARNING: Bulleremissionen under faktisk användning av maskinen kan skilja sig från det deklarerade värdet, beroende på hur maskinen används och särskilt vilken typ av arbetsstycke som behandlas.

⚠️ VARNING: Var noga med att identifiera säkerhetsåtgärder för att skydda användaren, vilka är grundade på en uppskattning av graden av exponering för vibrationer under de faktiska användningsförhållandena, (ta, förutom avtryckartiden, med alla delar av användarcykeln i beräkningen, som till exempel tiden då maskinen är avstängd och när den går på tomgång).

Vibration

Det totala vibrationsvärdet (treaxlad vektorsumma) bestämt enligt EN62841-4-3:

Modell LM001G

Vibrationsemission (a_h): 2,5 m/s² eller lägre
Måttolerans (K): 1,5 m/s²

Modell LM002G

Vibrationsemission (a_h): 2,5 m/s² eller lägre
Måttolerans (K): 1,5 m/s²

OBS: Det deklarerade totala vibrationsvärdet har uppmätts i enlighet med standardtestmetoden och kan användas för jämförandet av en maskin med en annan.

OBS: Det deklarerade totala vibrationsvärdet kan också användas i en preliminär bedömning av exponering för vibration.

⚠️ VARNING: Vibrationsemissionen under faktisk användning av maskinen kan skilja sig från det deklarerade värdet, beroende på hur maskinen används och särskilt vilken typ av arbetsstycke som behandlas.

⚠️ VARNING: Var noga med att identifiera säkerhetsåtgärder för att skydda användaren, vilka är grundade på en uppskattning av graden av exponering för vibrationer under de faktiska användningsförhållandena, (ta, förutom avtryckartiden, med alla delar av användarcykeln i beräkningen, som till exempel tiden då maskinen är avstängd och när den går på tomgång).

EG-försäkring om överensstämmelse

Gäller endast inom EU

EG-försäkring om överensstämmelse inkluderas som bilaga A till denna bruksanvisning.

SÄKERHETSVARNINGAR

Allmänna säkerhetsvarningar för maskiner

⚠️ VARNING: Läs alla säkerhetsvarningar, anvisningar, illustrationer och specifikationer som medföljer det här maskinen. Underlåtenhet att följa instruktionerna kan leda till elstöt, brand och/eller allvarliga personskador.

Spara alla varningar och instruktioner för framtida referens.

Termen "maskin" som anges i varningarna hänvisar till din eldrivna maskin (sladdansluten) eller batteridrivna maskin (sladdlös).

Säkerhetsvarningar för batteridrivna gräsklippare

1. **Använd inte gräsklipparen vid dåliga väderförhållanden, speciellt inte vid risk för åska.** Då minskar risken att bli träffad av blixten.
2. **Kontrollera noggrant området för vilda djur inför användandet av gräsklipparen.** Vilda djur kan skadas av gräsklipparen under användning.
3. **Kontrollera noggrant området där gräsklipparen ska användas och rensa bort alla stenar, grenar, sladdar, ben och andra främmande föremål.** Kastade föremål kan leda till personskador.
4. **Inför användandet av gräsklipparen ska bladet och bladmonteringen kontrolleras för slitage och skador.** Slitna eller skadade delar ökar risken för skador.
5. **Kontrollera regelbundet gräsfångaren efter slitage eller försämring.** En slitna eller skadade gräsfångare kan öka risken för personskador.
6. **Se till att skydden sitter på plats. Skydden måste vara i fungerande skick och monterade på rätt sätt.** Skydd som sitter löst, är skadade eller inte fungerar på rätt sätt kan leda till personskador.
7. **Håll alla kylflutningsöppningar fria från skräp.** Blockerade luftflutningsöppningar och skräp kan resultera i överhettning eller brandrisk.
8. **Bär alltid halkfria skydds skor när du använder gräsklipparen. Använd inte gräsklipparen barfota eller med öppna skor.** Detta minskar chansen för fotskador via kontakt med det roterande bladet.
9. **Bär alltid långbyxor när du använder gräsklipparen.** Exponerad hud ökar risken för skador från kastade objekt.
10. **Använd inte gräsklipparen i vått gräs. Gå, spring aldrig.** Detta minskar risken att halka och ramla, vilket kan leda till personskada.
11. **Använd inte gräsklipparen i mycket branta sluttningar.** Detta minskar risken att tappa kontrollen, halka och ramla, vilket kan leda till personskada.
12. **Vid arbeten i sluttningar, se alltid till att stå stadigt, alltid arbeta tvärs med sluttning, aldrig upp/ner, och utöva extrem försiktighet vid riktningssbyte.** Detta minskar risken att tappa kontrollen, halka och ramla, vilket kan leda till personskada.
13. **Var mycket försiktig när du vänder gräsklipparen eller drar den mot dig. Var alltid uppmärksam om din omgivning.** Detta minskar risken för att snubbla vid användning.
14. **Rör inte blad eller andra farliga rörliga delar medan de fortfarande är i rörelse.** Detta minskar risken för skador från rörliga delar.
15. **När du tar bort material som fastnat eller rengör gräsklipparen, se då till att alla strömbrytare är avstängda och att batteripaketet är frånkopplat.** Övrig användning av gräsklipparen kan leda till allvariga personskador.

⚠ VARNING: GLÖM INTE att också fortsättningsvis strikt följa säkerhetsanvisningarna för maskinen även efter att du blivit van att använda den.

Vid **FELAKTIG HANTERING** av maskinen eller om inte säkerhetsanvisningarna i denna bruksanvisning följs kan följden bli allvariga personskador.

VIKTIGA SÄKERHETSANVISNINGAR

⚠ VARNING: Läs igenom alla säkerhetsvarningar och anvisningar. Underlåtenhet att följa varningar och instruktioner kan leda till elstöt, brand och/eller allvariga personskador.

Spara alla varningar och instruktioner för framtida referens.

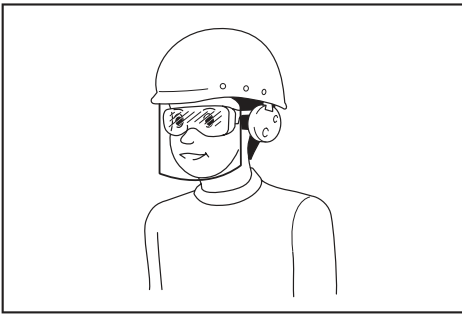
Utbildning

1. Läs anvisningarna noggrant. Var förtrogen med styrreglagen och korrekt användning av gräsklipparen.
2. Låt aldrig gräsklipparen användas av barn eller av personer som inte känner till dessa anvisningar. Lokala bestämmelser kan ange en åldersgräns för användaren.
3. Använd aldrig gräsklipparen när personer (särskilt barn) eller djur finns i närheten.
4. Glöm inte att användaren är ansvarig för olyckor eller eventuell fara gentemot andra personer och deras egendom.
5. Barn ska övervakas så att de inte leker med gräsklipparen.
6. Fysiskt tillstånd – Använd inte gräsklipparen under påverkan av droger, alkohol eller mediciner.

Förberedelse

1. Bär alltid kraftiga skor och långbyxor när du använder gräsklipparen. Använd inte gräsklipparen barfota eller med öppna skor. Undvik att bära kläder eller smycken som sitter löst eller som har hängande snoddar eller band. De kan fångas upp av rörliga delar.
2. Inspektera alltid gräsklipparen visuellt innan användning avseende skada, saknade eller felplacerade skydd.
3. Kontrollera att det inte finns några personer i området före gräsklippningen. Stäng av gräsklipparen om någon närmar sig.
4. Bär alltid skyddsglasögon för att skydda dina ögon från skada när du använder e-verktyg. Skyddsglasögonen måste uppfylla ANSI Z87.1 i USA, EN 166 i Europa, eller AS/NZS 1336 i Australien/Nya Zeeland. I Australien/Nya Zeeland måste man enligt lag även bära ansiktsskydd för att skydda ansiktet.

SPARA DESSA ANVISNINGAR.



Det är arbetsgivarens ansvar att se till att användare och övriga personer i det omedelbara arbetsområdet använder lämplig skyddsutrustning.

5. Kontrollera före användning att knivarna eller knivbultarna inte är spruckna eller skadade. Byt omedelbart ut skadade knivar eller knivbultar.
6. Ta bort främmande föremål såsom stenar, kablar, flaskor, ben och långa pinnar från arbetsområdet innan gräsklippningen för att undvika personskador eller skada på gräsklipparen.
7. Föremål som träffas av gräsklipparens kniv kan orsaka allvariga personskador. Gräsmattan ska alltid undersökas väl och röjas från föremål före varje klippning.
8. Se upp för hål, rötter, knölar, stenar eller andra dolda föremål. Ojämn terräng kan vara en halkrisk. Högt gräs kan dölja föremål.
9. Använd personlig säkerhetsutrustning. Använd alltid skyddsglasögon. Användning av skyddsutrustning, som till exempel dammask, halkfria skor, skyddshjälm och hörselskydd, under lämpliga förhållanden minskar risken för personskador.

Användning

1. Översträck inte. Ha god balans hela tiden. Se alltid till att ha balans på sluttningar. Gå, spring aldrig.
2. Stoppa gräsklipparen, stäng av maskinen och se till att alla rörliga delar har stannat helt:
 - när du lämnar gräsklipparen,
 - innan du tar bort något som fastnat eller rensar utkastningsrännan,
 - före kontroll, rengöring eller arbete på gräsklipparen,
 - om du stött emot ett främmande föremål med maskinen. Inspektera gräsklipparen efter skador och utför reparationer innan maskinen startas om och används på nytt,
 - om gräsklipparen börjar vibrera på ett onormalt sätt.
3. Använd aldrig gräsklipparen med skadade skydd eller utan säkerhetsutrustning, t. ex. stenskydd och/eller gräsupsamlare, på plats.
4. Undvik att använda gräsklipparen vid dåliga väderförhållanden, speciellt vid risk för åska.
5. Bär alltid skyddsglasögon och kraftiga skor när du arbetar med gräsklipparen.
6. Använd endast gräsklipparen i dagsljus eller i god belysning.

7. Starta gräsklipparen omsorgsfullt enligt anvisningarna och med fötterna på säkert avstånd från knivarna.
8. Var försiktig så att du inte skadar händer och fötter på gräsklipparkniven.
9. Försäkra dig alltid om att lufthålen är fria från smuts.
10. Klipp långs med sluttningar, aldrig uppåt och nedåt. Var särskilt försiktig vid byte av riktning i sluttande terräng. Klipp inte mycket branta sluttningar.
11. Var mycket försiktig när du vänder gräsklipparen eller drar den mot dig.
12. Stoppa knivarna om gräsklipparen måste lutas för att transporteras över gräsfria ytor och när maskinen transporteras till och från området som ska klippas.
13. Luta inte gräsklipparen när du startar motorn, såvida den inte måste lutas för att startas. I så fall ska den inte lutas mer än vad som är absolut nödvändigt och lyft endast den delen som är längst bort från användaren. Se alltid till att båda händerna är i arbetsläge innan du ställer ner gräsklipparen på marken.
14. Placera inte händer och fötter i närheten av eller under roterande delar. Stå alltid långt ifrån utkastöppningen.
15. Transportera inte gräsklipparen medan den är igång.
16. Undvik att använda gräsklipparen i vått gräs.
17. Håll alltid stadigt i handtaget.
18. Greppa inte de oskyddade knivbladen eller kniveggarna när du tar upp eller håller i gräsklipparen.
19. Håll händer och fötter borta från rörliga knivar. Försiktighet – Knivarna stannar inte omedelbart när gräsklipparen stängs av.
20. Stoppa maskinen omedelbart om du lägger märke till något onormalt. Stäng av gräsklipparen. Inspektera sedan gräsklipparen.
21. Försök aldrig göra justeringar av klipphöjden medan gräsklipparen är igång, om den har funktionen klipphöjdsinställning.
22. Släpp säkerhetsgreppet och vänta tills kniven har slutat rotera innan du korsar en uppfart, gångväg, väg eller annat grustäckt område. Stäng också av maskinen om du lämnar gräsklipparen, sträcker dig för att plocka upp eller ta bort något som ligger i vägen, eller om du på något annat sätt distraheras från arbetet.
23. Följ dessa steg om gräsklipparen slår emot ett främmande föremål:
 - Stanna gräsklipparen, släpp säkerhetsgreppet och vänta tills kniven stannat helt.
 - Ta bort batterikassetten.
 - Kontrollera gräsklipparen grundligt så att inte några skador har uppstått.
 - Byt ut kniven om den är skadad på något sätt. Reparera eventuella skador innan du startar om och återupptar användningen av gräsklipparen.
24. Starta inte gräsklipparen när du står framför utkastöppningen.

25. **Om gräsklipparen börjar vibrera på ett onormalt sätt (kontrollera omedelbart)**
 - kontrollera om skada har uppstått,
 - byt ut eller reparera skadade delar,
 - kontrollera och dra åt lösa delar.
26. **Rikta aldrig utloppsmaterial mot någon. Undvik att rikta utloppsmaterial mot en vägg eller hinder.** Material kan studsas tillbaka på användaren. Stanna bladet när du korsar grusvägar.
27. **Dra inte gräsklipparen baklänges såvida det inte är absolut nödvändigt.** När du är tvingar att backa gräsklipparen från ett staket eller liknande hinder måste du titta ner och bakom dig innan och medan du backar.
28. **Stäng av motorn och vänta tills bladen har stannat innan du tar bort gräsupsamlaren.** Tänk på att klingan inte stannar omedelbart när maskinen stängs av.
29. **Var uppmärksam på var du har fötterna när du använder maskinen på lerig mark, i våta sluttningar eller hala ställen.**
30. **Låt inte maskinen åka ner i någon pöl.**
31. **Var uppmärksam på rör och kablar när maskinen används.**

Underhåll och förvaring

1. **Byt ut slitna eller skadade delar för säker användning.** Använd endast originaldelar och tillbehör.
2. **Inspektera och underhåll gräsklipparen regelbundet.**
3. **När gräsklipparen inte används ska den förvaras utom räckhåll för barn.**
4. **Se till att alla muttrar, bultar och skruvar är åtdragna för att alltid bibehålla utrustningen i säkert arbetsskick.**
5. **Kontrollera gräsupsamlaren regelbundet efter slitage eller försämring. Se alltid till att gräsupsamlaren är tom när maskinen förvaras. Byt ut gräsupsamlaren om den är sliten mot en ny från fabriken för säker användning.**
6. **Använd endast tillverkarens originalknivar som specificerats i denna bruksanvisning.**
7. **Var försiktig vid justering av gräsklipparen för att undvika att fastna med fingrarna mellan knivar i rörelse och fasta maskindelar.**
8. **Kontrollera knivens monteringsbult regelbundet så att den är ordentligt åtdragen.**
9. **Låt alltid gräsklipparen svalna innan du ställer in den för förvaring.**
10. **Vid underhåll av knivarna bör du vara uppmärksam på att de fortfarande kan snurra även om strömkällan är avstängd.**
11. **Ta aldrig bort eller mixtra med säkerhetsanordningar. Kontrollera regelbundet korrekt funktion. Gör aldrig något som stör säkerhetsanordningarnas avsedda funktion eller minskar det skydd som säkerhetsanordningarna ger.**
12. **Lämna inte maskinen obebakt utomhus i regn.**
13. **När maskinen tas i förvar, undvik då direkt solljus och regn, och förvara den på en plats där det inte blir varmt eller fuktigt.**

Användning och underhåll av batteri

1. **Ladda endast med den batteriladdare som angetts av tillverkaren.** En laddare som passar en viss typ av batterier kan skapa risk för brand när den används tillsammans med annat batteri.
2. **Använd endast maskiner tillsammans med tillhörande batterier.** Om andra batterier används kan risken för personskada och brand öka.
3. **När batteriet inte används bör det hållas borta från andra metallföremål som till exempel gem, mynt, nycklar, spik, skruv eller andra små metallföremål som kan skapa anslutning från en terminal till en annan.** Kortslutning av batteripolerna kan orsaka brännskador eller brand.
4. **Under hårda förhållande kan det komma vätska ur batteriet. Undvik kontakt. Spola med vatten om kontakt ändå råkar uppstå. Om vätskan kommer i kontakt med ögonen bör läkare uppsökas.** Vätska från batteriet kan orsaka irritation på huden eller ge brännskador.
5. **Använd inte ett batteripaket eller maskin som är skadat eller ändrat.** Skadade eller ändrade batterier kan uppföra sig opålitligt, vilket kan leda till brand, explosion eller skaderisk.
6. **Utsätt inte batteripaket eller maskiner för brand eller höga temperaturer.** Exponering för brand eller temperaturer över 130 °C kan leda till explosion.
7. **Följ alla laddningsinstruktioner och ladda inte batteripaketet eller maskinen utanför det temperaturlintervall som anges i instruktionerna.** Felaktig laddning, eller vid temperaturer utanför det angivna intervallet, kan skada batteriet och öka risken för brand.

El- och batterisäkerhet

1. **Släng inte batteriet/batterierna i öppen eld.** Cellen kan explodera. Kontrollera de lokala reglerna för att se eventuell särskild avfallshantering.
2. **Öppna inte eller förstör batteriet/batterierna.** Elektrolyt som kommer ut är frätande och kan ge ögon- eller hudskador. Det kan vara giftigt vid förtäring.
3. **Ladda inte batteriet i regn eller i fuktiga eller våta utrymmen.**
4. **Ladda inte batteriet utomhus.**
5. **Hantera inte laddaren, däribland laddarstickprop- per, och laddarens kopplingar med våta händer.**
6. **Byt inte ut batteriet i regn.**
7. **Låt inte batteripolen bli blöt av vätska som t.ex. vatten, och ha inte batteriet i vätska.** Batteriet får inte lämnas i regn, och inte heller laddas, användas eller lagras på ett fuktigt eller vått ställe. Om polen blir våt eller vätska kommer in i batteriet, kan det kortsutas och det finns risk för överhettning, brand eller explosion.
8. **När batteriet tagits bort från maskinen eller laddaren ska du se till att fästa batterikåpan vid batteriet och förvara det torrt.**
9. **Byt inte ut batteriet med våta händer.**
10. **Undvik farliga miljöer. Använd inte maskinen på fuktiga eller blöta områden och utsätt den inte för regn.** Vatten som kommer in i maskinen ökar risken för elektrisk stöt.
11. **Om batterikassetten blir våt, töm ut vattnet inuti den och torka sedan av den med en torr trasa. Torka batterikassetten helt och hållet på en torr plats före användning.**

Service

1. **Lämna maskinen till en auktoriserad verkstad för service och underhåll med originalreservdelar.** Detta garanterar fortsatt säker användning av maskinen.
2. **Utför aldrig service av skadade batteripaket.** Service av skadade batteripaket får endast utföras av tillverkaren eller auktoriserade serviceleverantörer.

SPARA DESSA ANVISNINGAR.

⚠ VARNING: GLÖM INTE att också fortsättningsvis strikt följa säkerhetsanvisningarna för maskinen även efter att du blivit van att använda den.

Vid **FELAKTIG HANTERING** av maskinen eller om inte säkerhetsanvisningarna i denna bruksanvisning följs kan följden bli allvarliga personskador.

Viktiga säkerhetsanvisningar för batterikassetten

1. Innan batterikassetten används ska alla instruktioner och varningsmärken på (1) batteriladdaren, (2) batteriet och (3) produkten läsas.
2. **Montera inte isär eller mixtra med batterikassetten.** Det kan leda till brand, överdriven värme eller explosion.
3. **Om drifttiden blivit avsevärt kortare ska användningen avbrytas omedelbart.** Det kan uppstå överhettning, brännskador och t o m en explosion.
4. **Om du får elektrolyt i ögonen ska de sköljas med rent vatten och läkare uppsöks omedelbart.** Det finns risk för att synen förloras.
5. **Kortslut inte batterikassetten.**
 - (1) Rör inte vid polerna med något strömförande material.
 - (2) **Undvik att förvara batterikassetten tillsammans med andra metallobjekt som t.ex. spikar, mynt o.s.v.**
 - (3) **Skydda batteriet mot vatten och regn.** En batterikortslutning kan orsaka ett stort strömlöflöde, överhettning, brand och maskinhaveri.
6. **Förvara och använd inte verktyget och batterikassetten på platser där temperaturen kan nå eller överstiga 50 °C.**
7. **Bränn inte upp batterikassetten även om den är svårt skadad eller helt utsliten.** Batterikassetten kan explodera i öppen eld.
8. **Spika inte i, krossa, kasta, tappa eller slå batterikassetten mot hårda föremål.** Dylåka händelser kan leda till brand, överdriven värme eller explosion.
9. **Använd inte ett skadat batteri.**
10. **De medföljande litiumjonbatterierna är föremål för kraven i gällande lagstiftning för farligt gods.** För kommersiella transporter (av t.ex. tredje parter som speditönsfirmor) måste de särskilda transportkrav som anges på emballaget och etiketter iakttas.

För att förbereda den produkt som ska avsändas krävs att du konsulterar en expert på riskmaterial. Var också uppmärksam på att det i ditt land kan finnas ytterligare föreskrifter att följa.

Tejpa över eller maskera blottade kontakter och packa batteriet på sådant sätt att det inte kan röra sig fritt i förpackningen.

11. **När batterikassetten ska kasseras måste den tas bort från maskinen och kasseras på ett säkert sätt.** Följ lokala föreskrifter beträffande avfallshantering av batteriet.
12. **Använd endast batterierna med de produkter som specificerats av Makita.** Att använda batterierna med ej godkända produkter kan leda till brand, överdriven värme, explosion eller utläckande elektrolyt.
13. **Om maskinen inte används under en lång tid måste batteriet tas bort från maskinen.**
14. **Under och efter användning kan batterikassetten bli het vilket kan orsaka brännskador eller lättare brännskador.** Var uppmärksam på hur du hanterar varma batterikassetter.
15. **Vidrör inte verktygets kontakter direkt efter användning eftersom de kan bli heta och orsaka brännskador.**
16. **Låt inte flisor, damm eller smuts fastna i kontaktarna, i hål eller spår i batterikassetten.** Det kan leda till att verktyget eller batterikassetten värms upp, fattar eld, går sönder eller inte fungerar som de ska, vilket kan orsaka brännskador eller personskador.
17. **Sävida inte verktyget stöder arbeten i närheten av högspänningsledning för batterikassetten inte användas i närheten av en högspänningsledning.** Det kan leda till att verktyget eller batterikassetten går sönder eller inte fungerar korrekt.
18. **Förvara batteriet utom räckhåll för barn.**

SPARA DESSA ANVISNINGAR.

⚠ FÖRSIKTIGT: Använda endast äkta Makita-batterier. Användning av oäkta Makita-batterier eller batterier som har manipulerats kan leda till person- och utrustningsskador eller till att batteriet fattar eld. Det upphäver också Makitas garanti för verktyget och laddaren.

Tips för att uppnå batteriets maximala livslängd

1. **Ladda batterikassetten innan den är helt urladdad.** Stanna alltid maskinen och ladda batterikassetten när du märker att maskinen blir svagare.
2. **Ladda aldrig en fulladdad batterikasset.** Överladdning förkortar batteriets livslängd.
3. **Ladda batterikassetten vid en rumstemperatur på 10 °C - 40 °C.** Låt en varm batterikasset svalna innan den laddas.
4. **När batterikassetten inte används ska den tas bort från verktyget eller laddaren.**
5. **Ladda batterikassetten om du inte har använt den på länge (mer än sex månader).**

MONTERING

⚠ VARNING: Se alltid till att ta alla batterikassetter har tagits bort innan någon form av arbete utförs på maskinen. Underlåtelse att ta bort alla batterikassetter kan leda till allvarlig personskada på grund av oavsiktlig start.

⚠ VARNING: Starta aldrig gräsklipparen om den inte är komplett monterad. Användning av en delvis monterad gräsklippare kan leda till allvarlig personskada på grund av oavsiktlig start.

Montera handtaget

OBSERVERA: Var försiktig så att sladden inte kläms mellan handtagen när handtagen monteras. Om sladden är skadad kanske inte gräsklipparens startknapp fungerar.

1. Passa in hålet i det nedre handtaget med hålet i det övre handtaget, sätt i bulten från utsidan, och dra sedan åt den låtrade muttern från insidan. Utför samma förfarande på den andra sidan.

► **Fig.1:** 1. Bult 2. Låtråd mutter 3. Nedre handtaget 4. Övre handtaget

2. Vrid vredet 90° samtidigt som du drar det nedre handtagets vred så att låsstiftet frigörs. Utför samma förfarande på den andra sidan. Hög handtaget och vrid sedan vredet på bägge sidor 90°. Se till att vreden är ordentligt låsta.

► **Fig.2:** 1. Vred

OBS: Om du stöder handtaget är det lättare att frigöra låsstiftet när du drar i vredet.

OBS: Var försiktig när du vrider vredet så att sladden inte fastnar i vredet.

► **Fig.3:** 1. Vred

Ta bort mulchingpluggen

1. Öppna den bakre luckan.

► **Fig.4:** 1. Bakre hölje

2. Lyft mulchingpluggen något och avlägsna den sedan.

► **Fig.5:** 1. Mulchingplugg

Montera gräsupsamlaren

1. Ta upp gräsupsamlarens övre klämma.

► **Fig.6:** 1. Övre klämma

2. Sätt in ramen i gräsupsamlaren så långt det går samtidigt som du håller i ramens handtag.

► **Fig.7:** 1. Handtag

OBSERVERA: Sätt inte in handtaget i gräsupsamlaren. Se till att sätta in ramen längs gräsupsamlarens skarv.

3. Se till att gräsupsamlaren inte hänger löst i hörnen.

► **Fig.8**

4. Öppna den övre klämman och fäst den på ramen.

► **Fig.9**

5. Sätt fast alla andra klämmor enligt figuren. Se till att alla klämmor sitter ordentligt på ramen.

► **Fig.10:** 1. Klämma

Installera eller ta bort gräsupsamlaren

Följ stegen nedan för att installera gräsupsamlaren.

1. Öppna den bakre luckan.

► **Fig.11:** 1. Bakre hölje

2. Håll i gräsupsamlarens handtag och haka sedan fast gräsupsamlaren på stängan på gräsklipparen enligt figuren.

► **Fig.12:** 1. Gräsupsamlare 2. Handtag 3. Stång

Ta bort gräsupsamlaren genom att öppna det bakre höljet och sedan ta ut gräsupsamlaren med hjälp av handtaget.

Montera mulchingpluggen

1. Öppna den bakre luckan och ta sedan bort gräsupsamlaren.

► **Fig.13:** 1. Bakre hölje 2. Gräsupsamlare

2. Sätt fast mulchingpluggen genom att trycka den så långt det går så att de utskjutande delarna på mulchingpluggen passar in i hålen i maskinen.

► **Fig.14:** 1. Mulchingplugg 2. Utsprång

Montera eller demontera utloppsrännan

Följ stegen nedan för att montera utloppsrännan.

1. Öppna det bakre höljet och ta sedan bort gräsupsamlaren och mulchingpluggen.

2. Kroka fast hålen i utloppsrännan på utsprången på själva gräsklipparen enligt figuren.

► **Fig.15:** 1. Utloppsränna 2. Utsprång

Demontera utloppsrännan genom att öppna det bakre höljet och ta sedan bort utloppsrännan.

FUNKTIONSBESKRIVNING

Montera eller demontera batterikassetten

⚠ FÖRSIKTIGT: Stäng alltid av maskinen innan du monterar eller tar bort batterikassetten.

⚠ FÖRSIKTIGT: Håll stadigt i maskinen och batterikassetten när du installerar eller tar bort batterikassetten. I annat fall kan det leda till att maskinen och batterikassetten glider ur händerna på dig och blir skadade och orsakar personskada.

⚠ FÖRSIKTIGT: Se till att du låser batterikåpan före användning. I annat fall kan lera, smuts eller vatten orsaka skada på produkten eller batterikassetten.

⚠ FÖRSIKTIGT: För alltid in batterikassetten helt tills den röda indikatorn inte längre syns. I annat fall kan den plötsligt lossna från maskinen och skada dig eller någon annan.

⚠ FÖRSIKTIGT: Montera inte batterikassetten med våld. Om kassetten inte lätt glider på plats är den felaktigt insatt.

⚠ FÖRSIKTIGT: Håll stadigt i batterikåpan när du monterar eller tar bort batterikassetten.

För att montera batterikassetten.

1. Dra upp säkerhetsspärren och öppna sedan batterikåpan.
► **Fig.16:** 1. Batterikåpa 2. Säkerhetsspärr
2. Rikta in batterikassetten tunga med öppningen på maskinen och skjut sedan in kassetten tills den låser fast med ett litet klick.
► **Fig.17:** 1. Batterikassetten

3. Stäng batterikåpan och tryck på den tills den sitter fast med läsreglaget.

Ta bort batterikassetten:

1. Dra upp säkerhetsspärren och öppna batterikåpan.
2. Dra ur batterikassetten från maskinen samtidigt som du skjuter på knappen på kassetten framsida.
3. Stäng batterikåpan.

Skyddssystem för maskinen/ batteriet

Maskinen är utrustad med ett batteriskyddssystem. Detta system bryter automatiskt strömmen till motorn för att förlänga maskinens och batteriets livslängd. Maskinen stannar automatiskt under användningen om maskinen eller batteriet hamnar i en av följande situationer:

Överbelastningsskydd

När batteriet används på ett sätt som gör att den drar onormalt mycket ström, stannar maskinen automatiskt och lampan för nätspänning blinkar grönt. När detta sker stänger du av maskinen och upphör med arbetet som gjorde att den överbelastades. Starta därefter upp maskinen igen.

Överhettningsskydd

När maskinen överhettas stoppas maskinen automatiskt och lampan för nätspänning lyser rött. I sådana fall ska du låta maskinen och batterierna svalna innan du slår på maskinen igen.

OBS: När batteriet överhettas blinkar lampan för nätspänning rött.

Överurladdningsskydd

När batterikapaciteten inte är tillräcklig stannar maskinen automatiskt och lampan börjar blinka rött. Ta i så fall bort batteriet från maskinen och ladda batterikassetterna eller byt ut batterikassetterna mot fulladdade.

Skydd mot andra felorsaker

Skyddssystemet är också utformat för att hantera andra orsaker som skulle kunna skada maskinen, och gör att maskinen kan stanna automatiskt. Om maskinen stannat tillfälligt eller helt slutat fungera utför du följande steg för att åtgärda problemen.

1. Stäng av maskinen och slå sedan på den igen för att starta om den.
2. Ladda upp batteriet/batterierna eller byt ut det/dem mot uppladdade batterier.
3. Låt maskinen och batteriet/batterierna svalna.

Om återställning av skyddssystemet inte leder till någon förbättring, kontakta ditt lokala Makita Service Center.

OBSERVERA: Om verktyget stannar av en orsak som inte är angiven ovan, se avsnittet Felsökning.

Indikerar kvarvarande batterikapacitet

► **Fig.18:** 1. Batteriindikator

När återstående batterikapacitet blir låg blinkar batteriindikatorn på den aktuella batterisidan. Vid ytterligare användning stoppar maskinen och batteriindikatorn tänds. Ladda batterikassetten om detta inträffar.

OBS: Om två batterikassetter installeras används batteriet på den vänstra sidan först.

OBS: Om två batterikassetter installeras växlar maskinen automatiskt batteri när batteriet som används blir tomt.

Indikerar kvarvarande batterikapacitet

Tryck på kontrollknappen på batterikassetten för att se kvarvarande batterikapacitet. Indikatorlamporna lyser i ett par sekunder.

► **Fig.19:** 1. Indikatorlampor 2. Kontrollknapp

Indikatorlampor			Kvarvarande kapacitet
Upplyst	Av	Blinkar	
■ ■ ■ ■			75% till 100%
■ ■ ■ □			50% till 75%
■ ■ □ □			25% till 50%
■ □ □ □			0% till 25%
◻ □ □ □			Ladda batteriet.
◻ □ □ □			Batteriet kan ha skadats.
◻ □ □ □	↑ ↓	■ ■	

OBS: Beroende på användningsförhållanden och den omgivande temperaturen kan indikationen skilja sig lätt från den faktiska batterikapaciteten.

OBS: Den första (längst till vänster) indikatorlampan kommer att blinka när batteriskyddssystemet fungerar.

Kontrollpanel

Kontrollpanelen har en lampa för nätspänning och en knapp för lägesbyte.

► **Fig.20:** 1. Lampa för mjukt läge utan belastning
2. Lampa för bullerdämpningsläge 3. Knapp för lägesbyte 4. Lampa för nätspänning
5. Strömbrytare

Strömbrytare

⚠ VARNING: Stäng alltid av strömbrytaren när verktyget inte används.

Tryck på strömbrytaren för att sätta på maskinen. Strömbrytarlampan tänds grön. För att stänga av maskinen trycker du på strömbrytaren igen.

OBS: Om lampan för nätspänning börjar lysa rött eller blinkar i rött eller grönt, se instruktionerna för skyddssystemet för maskinen/batteriet.

OBS: Denna maskin har en automatisk avstängningsfunktion. För att undvika oavsiktlig start kommer strömbrytaren automatiskt att stänga ner när avtryckaren eller körspärren (om sådan finns) inte aktiveras under en viss tid efter att strömbrytaren aktiverats.

Knapp för lägesbyte

Du kan ändra driftsläge genom att trycka på knappen för lägesbyte. När maskinen sätts på startar den i normalläge.

Hänvisa till tabellen nedan för varje läge.

Läge	Lampa	Beskrivning
Normalt läge	Både lampan för mjukt läge utan belastning och lampan för bullerdämpningsläge är av.	Maskinen arbetar i det normala läget.
Mjukt läge utan belastning	Lampan för mjukt läge utan belastning lyser grönt.	Du kan minimera ryck vid uppstart och smidigt starta maskinen.
Bullerdämpningsläge	Lampan för bullerdämpningsläge lyser grönt.	Du kan minska bullret vid gräsklippning.

Avtryckarens funktion

⚠ VARNING: Innan du monterar batterikassetten ska du alltid kontrollera att säkerhetsgreppet fungerar korrekt och går tillbaka till ursprungsläget när det släpps. Att använda maskinen med ett felaktigt säkerhetsgrepp kan leda till förlorad kontroll och allvarlig personskada.

OBS: Gräsklipparen startar inte utan att startknappen trycks in även om du drar in säkerhetsgreppet.

OBS: Det kan hända att gräsklipparen inte startar på grund av överbelastning när du försöker klippa långt eller tätt gräs. Öka i sådant fall klipphöjden.

Maskinen är utrustad med en startknapp. Om du lägger märke till något onormalt med startknappen ska du genast sluta använda maskinen och låta ditt närmaste auktoriserade servicecenter för Makita kontrollera den.

1. Montera batterikassetterna och stäng sedan batterikåpan.
2. Tryck på strömbrytaren.

OBS: Lampan för nätspänning blinkar grönt om du trycker på strömbrytaren samtidigt som du drar i säkerhetsgreppet. Släpp säkerhetsgreppet innan du trycker på strömbrytaren.

3. Dra säkerhetsgreppet mot dig medan du håller ner startknappen. Släpp startknappen när motorn startar.

► **Fig.21:** 1. Startknapp 2. Säkerhetsgrepp

4. Håll in säkerhetsgreppet och tryck körspärren framåt och håll den så att bakhjulen körs.

► **Fig.22:** 1. Körspär

OBS: Du kan driva bakhjulen genom att trycka körspärren framåt och hålla den utan att dra i säkerhetsgreppet.

5. Stanna maskinen genom att släppa körspärren och säkerhetsgreppet.

Justering av klipphöjden

⚠ VARNING: Placera aldrig handen eller foten under gräsklipparen när du justerar klipphöjden.

⚠ VARNING: Kontrollera alltid att spaken sitter ordentligt i spåret före användning.

Klipphöjden kan justeras mellan 20 mm och 100 mm. Stäng av maskinen och dra sedan justeringsspaken för klipphöjd ut från gräsklipparen och flytta den till önskad klipphöjd.

► **Fig.23:** 1. Justeringsspak för klipphöjd

I tabellen nedan visas förhållandet mellan numret på gräsklipparstommen och uppskattad klipphöjd.

Nummer	Klipphöjd
1	20 mm
2	26 mm
3	32 mm
4	39 mm
5	47 mm
6	55 mm
7	63 mm
8	74 mm
9	86 mm
10	100 mm

Håll det nedre handtaget med ena handen och flytta sedan justeringsspaken för klipphöjd med den andra handen.

► **Fig.24:** 1. Justeringsspak för klipphöjd 2. Nedre handtaget

OBS: Klipphöjdsiffrorna bör endast användas som en riktlinje. Beroende på gräsmattans eller underlagets förhållanden kan den verkliga klipphöjden skilja sig något från den inställda höjden.

OBS: Gör en testklippning i ett mindre synligt område för att få önskad höjd.

Indikator för gräsnivå

Indikatorn för gräsnivå visar mängden gräs som har klippts. Om gräsuppsamlaren inte är full flyter indikatorn medan knivarna är igång.

► **Fig.25:** 1. Indikator för gräsnivå

När gräsuppsamlaren är nästan full flyter inte indikatorn medan knivarna är igång. Stoppa i så fall klippningen omedelbart och töm uppsamlaren.

► **Fig.26:** 1. Indikator för gräsnivå

OBS: Denna indikator ger en grov uppskattning. Beroende på förhållandena inuti uppsamlaren fungerar eventuellt inte denna indikator på rätt sätt.

Justera handtagets höjd

Handtagshöjden kan justeras i två steg.

1. Håll i det nedre handtaget och vrid vredet 90° samtidigt som du drar det nedre handtagets vred så att låsstiftet frigörs. Utför samma förfarande på den andra sidan.

► **Fig.27:** 1. Nedre handtaget 2. Vred

OBS: Om du stöder handtaget är det lättare att frigöra låsstiftet när du drar i vredet.

2. Justera handtagets höjd och vrid sedan vredet på bägge sidor 90°. Se till att vreden är ordentligt låsta.

► **Fig.28:** 1. Vred

Justera rullhastigheten

► **Fig.29:** 1. Hastighetsspak

Rullhastigheten kan ställas in med hastighetsspaken. Minska hastigheten genom att dra spaken mot dig och öka den genom att trycka den framåt.

Använda mulchingpluggen

Med mulchingpluggen kan du lämna det klippta gräset på marken utan att samla upp gräset i gräsuppsamlaren. När du använder maskinen med mulchingpluggen måste du se till att ta bort gräsuppsamlaren eller utloppsrännan.

OBSERVERA: När maskinen används med mulchingpluggen måste du se till att gräsets totala längd efter klippning är 30 mm eller mer, och att den kapade längden är 15 mm eller mindre.

► **Fig.30:** (1) 30 mm eller mer (2) 15 mm eller mindre

Använda utloppsrännan

Med utloppsrännan kan du kasta ut det klippta gräset på marken från maskinens högra sida utan att samla upp gräset i gräsuppsamlaren. När du använder maskinen med utloppsrännan måste du se till att ta bort gräsuppsamlaren och mulchingpluggen.

Använda bakutkastet

Med bakutkastet kan du kasta ut det klippta gräset på marken från maskinens baksida utan att samla upp gräset i gräsuppsamlaren.

När du använder maskinen med bakutkastet måste du se till att ta bort mulchingpluggen och gräsuppsamlaren eller utloppsrännan samt stänga det bakre höljet.

Elektronisk funktion

Maskinen är utrustad med elektroniska funktioner för enkel användning.

- Mjukstart vid körning
Mjukstartsfunktionen minimerar ryck vid uppstarten och gör att maskinen får en mjuk start.
- Elektronisk broms
Denna maskin är försedd med en elektronisk broms. Om maskinen hela tiden misslyckas med att snabbt stoppa gräsklipparbladen efter att säkerhetsgreppet släppts, ska maskinen servas på Makita-auktoriserat servicecenter.

ANVÄNDNING

Gräsklippning

⚠ VARNING: Före gräsklippningen ska alla pinnar och stenar i klippområdet tas bort. Ta också bort ogräs i förväg.

⚠ VARNING: Bär alltid korgglasögon eller skyddsglasögon med sidoskydd när du använder gräsklipparen.

⚠ FÖRSIKTIGT: Om klippt gräs eller främmande föremål täpper till inuti gräsklipparen, se då till att ta bort batterikassetterna och ha handskar på innan du tar bort gräset eller det främmande föremålet.

OBSERVERA: Använd endast denna maskin för att klippa gräsmattor. Klipp inte ogräs med denna maskin.

► Fig.31

Håll stadigt i handtaget med båda händerna vid gräsklippningen. Riktlinjen för gräsklippning är ca 7 till 14 meter per 10 sekunder.

► Fig.32

OBS: När du klipper en lång eller tät gräsmatta och gräsmattan är ojämn eller ytan är dålig efter klippning, eller om motorhastigheten minskar under klippningen, ska du minska klippastigheten till en hastighet som är lägre än den som rekommenderas i denna bruksanvisning eller höja klipphöjden.

Framhjulets centrumlinjer är klippbreddens riktlinje. Använd centrumlinjerna som riktlinjer, klipp i rader. Överlappa med en halv till en tredjedel på tidigare rad för att klippa gräsmattan jämnt.

► Fig.33: 1. Klippbredd 2. Överlappande område 3. Centrumlinje

Ändra klippriktning varje gång för att förhindra mönster i gräsmattan i bara en riktning.

► Fig.34

Kontrollera regelbundet att gräsupsamlaren inte är full. Töm gräsupsamlaren innan den är full. Se till att stoppa och stänga av maskinen innan varje regelbunden kontroll.

OBSERVERA: Användning av gräsklipparen med en full gräsupsamlare förhindrar smidig knivrotation och lägger en extra belastning på motorn, vilket kan orsaka motorstopp.

Klippa långt gräs

Försök inte att klippa långt gräs på en och samma gång. Klipp istället gräsmattan stegvis. Lämna en eller två dagar mellan klippningarna tills gräsmattan är jämn och kort.

► Fig.35

OBS: Om du på en gång klipper långt gräs kort kan det göra att gräsmattan dör. Det klippta gräset kan också täppa igen undersidan av gräsklipparen.

OBS: Om gräsmattan är ojämn eller ytan är dålig efter klippning, eller om motorhastigheten minskar under klippningen, ska du minska klippastigheten eller höja klipphöjden.

Tömma gräsupsamlaren

⚠ VARNING: För att undvika risken för olyckor ska gräsupsamlaren kontrolleras regelbundet så att skada eller försvagning inte har uppstått. Byt ut gräsupsamlaren om så krävs.

1. Släpp säkerhetsgreppet och körspärren.
2. Stäng av maskinen.
3. Öppna det bakre höljets och ta ut gräsupsamlaren med hjälp av handtaget.
► Fig.36: 1. Bakre hölje 2. Handtag 3. Gräsupsamlare
4. Töm gräsupsamlaren.

UNDERHÅLL

⚠ VARNING: Se alltid till att batterikassetterna tas bort från maskinen innan du tar den i förvar, bär den eller försöker utföra kontroll eller underhåll på den.

⚠ VARNING: Bär handskar vid kontroll eller underhåll.

⚠ VARNING: Bär alltid korgglasögon eller skyddsglasögon med sidoskydd när du utför kontroll eller underhåll.

OBSERVERA: Använd inte bensin, förtunningsmedel, alkohol eller liknande. Missfärgning, deformation eller sprickor kan uppstå.

För att upprätthålla produktens SÄKERHET och TILLFÖRLITLIGHET bör allt underhålls- och justeringsarbete utföras av ett auktoriserat Makita servicecenter och med reservdelar från Makita.

Underhåll

1. Ta bort alla batterikassetter och stäng sedan batterikåpan.
2. Lägg gräsklipparen på sidan. Rensa bort gräsklipp som samlats på undersidan av gräsdäcket.
3. Håll vatten mot botten av maskinen som kniven sitter fast på.

OBSERVERA: Tvätta inte av maskinen med högtrycksvattenstråle.

4. Kontrollera åtdragningen av alla muttrar, bultar, skruvar osv.
5. Kontrollera om klippdelar är skadade, trasiga eller utslitna. Skadade eller saknade delar bör repareras eller bytas ut.
6. Förvara gräsklipparen på en säker plats utom räckhåll för barn.

OBSERVERA: Håll inte vatten på området som visas på bilden. Vatten i motorn kan orsaka funktionsfel på maskinen.

► Fig.37: 1. Område där vatten inte ska hållas

OBSERVERA: Håll inte vatten på maskinen när maskinen står i upprätt läge enligt bilden. När maskinen står i upprätt läge kan vatten rinna ner i motorenheten och orsaka fel på maskinen.

► Fig.38

Bära gräsklipparen

⚠ FÖRSIKTIGT: Se till att batterikassetterna har tagits bort innan du bär gräsklipparen.

När gräsklipparen ska bäras, ska två personer hjälpas åt genom att hålla det bakre greppet och det lägre handtaget på maskinens framsida enligt bilden.

► **Fig.39:** 1. Lägre handtaget 2. Bakre handtaget

Förvaring

⚠ FÖRSIKTIGT: Om gräsklipparen placeras i upprätt läge ska den placeras på en plan och stabil yta. Om maskinen placeras på en instabil yta kan den välta och orsaka personskador.

Förvara gräsklippare inomhus på en kall, torr och låst plats. Förvara inte gräsklipparen och laddaren på platser där temperaturen kan nå eller överstiga 40 °C.

1. Ta bort alla batterikassetter.
2. Vrid vredet 90° samtidigt som du drar det nedre handtagets vred så att låsstiftet frigörs. Utför samma förfarande på den andra sidan och fäll sedan ner handtaget.

► **Fig.40:** 1. Vred

OBS: Om du stöder handtaget är det lättare att frigöra låsstiftet när du drar i vredet.

3. Vrid vredet på bägge sidor 90°. Se till att vreden är ordentligt låsta.

► **Fig.41:** 1. Vred

OBSERVERA: Var försiktig när du fäller ner handtaget så att sladden inte kläms.

4. Lossa de lätttrade muttrarna på bägge sidor och fäll sedan ner det övre handtaget enligt bilden.

► **Fig.42:** 1. Lätttrad mutter 2. Övre handtaget

5. Placera maskinen i upprätt läge.

OBS: När du placerar gräsklipparen i upprätt läge ska du inte bara hålla i handtaget, utan hålla i både själva gräsklipparen och handtaget.

6. Förvara gräsupsamlaren enligt bilden.

► **Fig.43:** 1. Gräsupsamlare

► **Fig.44:** 1. Gräsupsamlare

Ta bort eller montera gräsklipparkniven

⚠ VARNING: Kniven snurrar i några sekunder efter att säkerhetsgreppet har släppts. Påbörja inget arbete med kniven förrän den har stannat helt.

⚠ VARNING: Ta alltid bort alla batterikassetter innan kniven tas bort eller monteras. Underlåtenhet att ta bort alla batterikassetter kan orsaka allvarlig personskada.

⚠ VARNING: Bär alltid handskar när du hanterar kniven.

Ta bort gräsklipparkniven

1. Placera gräsklipparen på sidan så att justerings-spaken för klipphöjd är vänd uppåt.
2. För att låsa kniven, för in stiftet i hålet på gräsklipparstommen så långt det går.
3. Vrid bulten moturs med fast nyckel 17.
► **Fig.45:** 1. Gräsklipparkniv 2. Stift 3. Fast nyckel
4. Ta bort bulten och sedan gräsklipparkniven.
► **Fig.46:** 1. Knivstöd 2. Gräsklipparkniv 3. Bult 4. Utsprång

OBSERVERA: När gräsklipparkniven installeras, se då till att utsprånget på knivstödet passar in i hålen på gräsklipparkniven.

Installera gräsklipparkniven

⚠ VARNING: Montera gräsklipparkniven försiktigt. Den har en sida som ska vara uppåt och en som ska vara nedåt.

⚠ VARNING: Dra åt bulten medurs ordentligt för att fästa kniven.

⚠ VARNING: Se till att gräsklipparkniven och alla fixeringsdelarna monteras korrekt och dras åt ordentligt.

⚠ VARNING: När du byter ut knivarna ska du alltid följa anvisningarna i denna bruksanvisning.

OBSERVERA: Efter att gräsklipparknivarna installerats tar du bort stiftet från gräsklipparstommen.

Installera gräsklipparknivarna genom att utföra borttagningsproceduren i omvänd ordning.

FELSÖKNING

Innan du ber om reparation ska du först utföra en egen kontroll. Om du hittar ett problem som inte finns förklarat i bruksanvisningen ska du inte försöka att montera isär maskinen. Fråga istället ett auktoriserad servicecenter för Makita, och använd alltid reservdelar från Makita för reparationer.

Feltillstånd	Trolig orsak (felsfunktion)	Atgärd
Gräsklipparen startar inte.	Batterikassetten är inte installerad.	Installera laddad batterikasset.
	Batteriproblem (underspänning)	Ladda batterikassetten på nytt. Om laddning inte hjälper byter du ut batterikassetten.
Motorn stannar efter en kort stunds användning.	Batterinivån är låg.	Ladda batterikassetten på nytt. Om laddning inte hjälper byter du ut batterikassetten.
	Klipphöjden är för låg.	Öka klipphöjden.
	Gräsklipp har fastnat i klipparen.	Ta bort gräset som fastnat.
Motorn når inte det maximala varvtalet.	Batterikassetten är felaktigt insatt.	Sätt i batterikassetten enligt anvisningarna i denna bruksanvisning.
	Batterinivån sjunker.	Ladda batterikassetten på nytt. Om laddning inte hjälper byter du ut batterikassetten.
	Drivsystemet fungerar inte som det ska.	Lämna in till ditt lokala auktoriserade servicecenter för reparation.
Gräsklipparkniven roterar inte: ⇒ stoppa gräsklipparen omedelbart!	Ett främmande föremål som t.ex. en gren har fastnat nära kniven.	Ta bort det främmande föremålet.
	Drivsystemet fungerar inte som det ska.	Lämna in till ditt lokala auktoriserade servicecenter för reparation.
Onormal vibration: ⇒ stoppa gräsklipparen omedelbart!	Kniven är obalanserad, överdrivet eller ojämnt utsliten.	Byt ut kniven.

VALFRIA TILLBEHÖR

⚠ FÖRSIKTIGT: Följande tillbehör eller tillsatser rekommenderas för användning med den Makita-maskin som denna bruksanvisning avser. Om andra tillbehör eller tillsatser används kan det uppstå risk för personskador. Använd endast tillbehören eller tillsatserna för de syften de är avsedda för.

Kontakta ditt lokala Makita servicecenter om du behöver ytterligare information om dessa tillbehör.

- Gräsklipparkniv
- Makitas originalbatteri och laddare

OBS: Några av tillbehören i listan kan vara inkluderade i produktpaketet som standardtillbehör. De kan variera mellan olika länder.

TEKNISKE DATA

Modell:		LM001G	LM002G
Kuttebredde (knivdiameter)		480 mm	534 mm
Hastighet uten belastning	Normal modus	3 200 min ⁻¹	2 800 min ⁻¹
	Myk modus uten belastning	2 500 – 3 200 min ⁻¹	2 300 – 2 800 min ⁻¹
	Modus for støyreduksjon	2 500 min ⁻¹	2 300 min ⁻¹
Delenummer for reserve gressklipperkniv	Rett gressklipperkniv	191V97-3	191V96-5
	Rett gressklipperkniv *1	-	191W87-2
	Knivblad for bioklipping	191Y64-6	191Y65-4
Mål (L x B x H)	ved bruk	L: 1 670 mm til 1 745 mm B: 550 mm H: 965 mm til 1 075 mm	L: 1 740 mm til 1 810 mm B: 595 mm H: 970 mm til 1 080 mm
	ved lagring (uten gresskurven)	585 mm x 550 mm x 900 mm	580 mm x 595 mm x 930 mm
Kjørehastighet		1,5 – 5,0 km/h	
Merkespenning		DC 36 V - 40 V maks	
Nettovekt		28,0 - 33,0 kg	29,3 - 34,5 kg
Beskyttelsesgrad		IPX4	

*1. Gressklipperkniv for en mer effektiv oppsamling av gress.

- På grunn av vårt kontinuerlige forsknings- og utviklingsprogram kan spesifikasjonene som oppgis i dette dokumentet endres uten varsel.
- Spesifikasjonene kan variere fra land til land.
- Vekten kan variere avhengig av tilbehøret/tilbehørene, inkludert batteriet. Den letteste og tyngste kombinasjonen, i henhold til EPTA-prosedyre 01/2014, vises i tabellen.

Passende batteri og lader

Batteriinnsett	BL4020 / BL4025 / BL4040* / BL4050F* / BL4080F* * : Anbefalt batteri
Lader	DC40RA / DC40RB / DC40RC

- Noen av batteriene og laderne som er opplistet ovenfor er kanskje ikke tilgjengelige, avhengig av hvor du bor.

⚠ ADVARSEL: Bruk kun de batteriene og laderne som er opplistet ovenfor. Bruk av andre batterier og ladere kan føre til personskader og/eller brann.

⚠ ADVARSEL: Ikke bruk en kablet strømforsyning som batteriadapter eller bærbar lader med denne maskinen. Strømforsyningens kabel kan komme i veien under bruk og føre til personskade.

Symboler

Nedenfor ser du symbolene som kan brukes for dette utstyret. Forviss deg om at du forstår hva de betyr, før du begynner å bruke maskinen.



Vær spesielt forsiktig og oppmerksom.



Les bruksanvisningen.



Vær oppmerksom på at objekter kan bli kastet ut.



Avstanden mellom maskinen og andre personer enn operatøren må være minst 15 m.



Plasser aldri hender og føtter nær gressklipperkniven under gressklipperen. Gressklipperknivene fortsetter å rotere etter at motoren er slått av.



Advarsel: Koble fra batteriet før vedlikehold.



Elektrisk fare. Kontakt med vann kan føre til elektrisk støt.



Ikke tøm på vann.



Kun for EU-land

På grunn av forekomst av farlige komponenter i utstyret, kan avfall fra elektrisk og elektronisk utstyr, akkumulatører og batterier ha en negativ innvirkning på miljøet og menneskers helse.

Ikke kast elektriske og elektroniske apparater eller batterier sammen med husholdningsavfall!

I samsvar med det europeiske direktivet om avfall fra elektrisk og elektronisk utstyr og om akkumulatører og batterier samt akkumulatører og batterier som skal kastes, samt deres tilpassning til nasjonal lovgivning, skal brukt elektrisk utstyr samt brukte batterier og akkumulatører samles inn separat og leveres til et eget innsamlingssted for kommunalt avfall, som driver virksomhet i samsvar med miljøvernforordningene. Dette er angitt av symbolet med den overkryssede avfallsbeholderen som er plassert på utstyret.



Garantert lydeffektnivå i henhold til EU-direktivet om støy fra utstyr til utendørs bruk.



Lydeffektnivå i henhold til Australia NSW støykontrollforskrift

Riktig bruk

Denne maskinen er kun laget for gressklipping.

Støy

Typisk A-vektet lydtrykknivå er bestemt i henhold til EN62841-4-3:

Modell LM001G

Målt lydeffektnivå (L_{WA}): 91 dB (A)
Garantert lydeffektnivå (L_{WA}): 94 dB (A)
Lydtrykknivå (L_{pA}): 81 dB (A)
Usikkerhet for lydtrykknivå (K): 3 dB (A)

Modell LM002G

Målt lydeffektnivå (L_{WA}): 91 dB (A)
Garantert lydeffektnivå (L_{WA}): 94 dB (A)
Lydtrykknivå (L_{pA}): 81 dB (A)
Usikkerhet for lydtrykknivå (K): 3 dB (A)

MERK: Den/de oppgitte verdien(e) for genererte vibrasjoner har blitt målt i henhold til standard testmetoder, og kan bli brukt til å sammenligne ett verktøy med et annet.

MERK: Den/de angitte verdien(e) for de genererte vibrasjonene kan også brukes til en foreløpig vurdering av eksponeringen.

⚠ ADVARSEL: Bruk hørselsvern.

⚠ ADVARSEL: De genererte vibrasjonene ved faktisk bruk av elektroverktøyet kan avvike fra den/de angitte vibrasjonsverdien(e), avhengig av hvordan verktøyet brukes.

⚠ ADVARSEL: Sørg for å identifisere vernetiltak for å beskytte operatøren, som er basert på et estimat av eksponeringen under de faktiske bruksforholdene (idet det tas hensyn til alle deler av driftssyklusen, dvs. hvor lenge verktøyet er slått av, hvor lenge det går på tomgang og hvor lenge startbryteren faktisk holdes trykket).

Vibrasjoner

Den totale vibrasjonsverdien (triaksial vektorsum) bestemt i henhold EN62841-4-3:

Modell LM001G

Genererte vibrasjoner (a_{h1}): 2,5 m/s² eller mindre
Usikkerhet (K): 1,5 m/s²

Modell LM002G

Genererte vibrasjoner (a_{h1}): 2,5 m/s² eller mindre
Usikkerhet (K): 1,5 m/s²

MERK: Den/de oppgitte verdien(e) for totalt genererte vibrasjoner har blitt målt i henhold til standard testmetoder, og kan bli brukt til å sammenligne ett verktøy med et annet.

MERK: Den/de angitte verdien(e) for totalt genererte vibrasjoner kan også brukes til en foreløpig vurdering av eksponeringen.

⚠ ADVARSEL: De genererte vibrasjonene ved faktisk bruk av elektroverktøyet kan avvike fra den/de angitte vibrasjonsverdien(e), avhengig av hvordan verktøyet brukes og spesielt i forhold til arbeidsstykket som blir behandlet.

⚠ ADVARSEL: Sørg for å identifisere vernetiltak for å beskytte operatøren, som er basert på et estimat av eksponeringen under de faktiske bruksforholdene (idet det tas hensyn til alle deler av driftssyklusen, dvs. hvor lenge verktøyet er slått av, hvor lenge det går på tomgang og hvor lenge startbryteren faktisk holdes trykket).

EFs samsvarserklæring

Gjelder kun for land i Europa

EFs samsvarserklæring er lagt til som vedlegg A i denne bruksanvisningen.

SIKKERHETSADVARSEL

Generelle advarsler angående sikkerhet for elektroverktøy

⚠ ADVARSEL: Les alle sikkerhetsadvarsler, instruksjoner, illustrasjoner og spesifikasjoner som følger med dette elektroverktøyet. Hvis ikke alle instruksjonene nedenfor følges, kan det forekomme elektrisk støt, brann og/eller alvorlig skade.

Oppbevar alle advarsler og instruksjoner for senere bruk.

Uttrykket «elektrisk verktøy» i advarslene refererer både til elektriske verktøy (med ledning) tilkoblet strømmettet, og batteridrevne verktøy (uten ledning).

Sikkerhetsadvarsler for batteridrevet gressklipper

1. **Ikke bruk gressklipperen under dårlige værforhold, spesielt hvis det er fare for lyn.** Dette reduserer faren for å bli truffet av lyn.
2. **Undersøk området der du skal bruke gressklipperen grundig med tanke på dyreliv.** Dyr kan bli skadet av gressklipperen under bruk.
3. **Undersøk området der du skal bruke gressklipperen grundig, og fjern alle steiner, kvister, ståltråder, bein og andre fremmedlegemer.** Gjenstander som folk har kastet fra seg kan forårsake personskader.
4. **Før du bruker gressklipperen må du alltid undersøke visuelt at bladet og bladenheten ikke er slitt eller skadet.** Slitte eller skadde deler øker faren for personskader.
5. **Kontroller gressfangeren ofte for slitasje eller skader.** En slitt eller skadet gressfanger øker faren for personskader.
6. **Sørg for at vernene er på plass.** Vernene må være i fungerende stand og montert på riktig måte. Hvis et vern er løst, skadet eller ikke fungerer som det skal, kan det forårsake personskader.
7. **Hold alle kjøleluftinntak frie for smuss.** Blokkerte luftinntak og rusk kan føre til overoppheting eller fare for brann.
8. **Bruk alltid sklisikkert vernefottøy når du bruker gressklipperen. Ikke bruk gressklipperen arbeidet eller med åpne sandaler.** Dette reduserer faren for skade på føttene som følge av kontakt med bladet i bevegelse.
9. **Ha alltid på deg langebukser når du bruker gressklipperen.** Bar hud øker sannsynligheten for skade som følge av flygende gjenstander.
10. **Ikke bruk gressklipperen i vått gress.** Gå, løp aldri. Da reduserer du faren for å skli og falle, noe som kan føre til personskader.
11. **Ikke bruk gressklipperen i svært bratte bakker.** Da reduserer du faren for å miste kontrollen, skli eller falle, noe som kan føre til personskader.
12. **Når du jobber i bakker, må du alltid ha godt fotfeste, alltid jobbe på tvers av bakken, aldri opp eller ned og utvise ekstrem forsiktig når du endrer retning.** Da reduserer du faren for å miste kontrollen, skli eller falle, noe som kan føre til personskader.
13. **Vær svært forsiktig når du rygger eller trekker gressklipperen mot deg.** Vær alltid oppmerksom på omgivelsene. Dette reduserer faren for å snuble under bruk.
14. **Ikke ta på blader og andre farlige bevegelige deler mens de fremdeles er i bevegelse.** Dette reduserer faren for personskader som følge av bevegelige deler.
15. **Når du skal fjerne materiale som sitter fast eller rengjøre gressklipperen, må du kontrollere at alle strømbrytere er slått av og at batteriet er frakoblet.** Hvis gressklipperen plutselig beveger seg, kan det føre til alvorlige personskader.

TA VARE PÅ DISSE INSTRUKSENE.

⚠ ADVARSEL: IKKE LA hensynet til hva som er "behagelig" eller det faktum at du kjenner produktet godt (etter mange gangers bruk) gjøre deg mindre oppmerksom på sikkerhetsreglene for bruken av det aktuelle produktet.

Ved MISBRUK eller hvis ikke sikkerhetsreglene i denne bruksanvisningen følges, kan det oppstå alvorlig personskade.

VIKTIGE SIKKERHETSINSTRUKSJONER

⚠ ADVARSEL: Les alle sikkerhetsadvarslene og alle instruksjonene. Hvis du ikke følger alle advarslene og instruksjonene som er oppført nedenfor, kan det føre til elektriske støt, brann og/eller alvorlige helseskader.

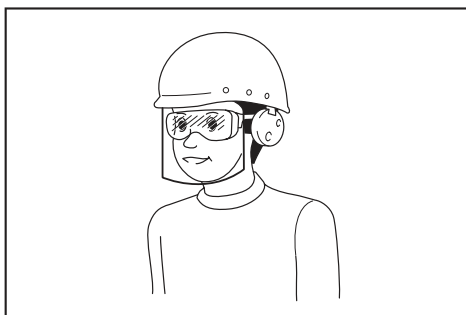
Oppbevar alle advarsler og instruksjoner for senere bruk.

Opplæring

1. Les nøye gjennom bruksanvisningen. Gjør deg kjent med kontrollene, og sett deg inn i hvordan gressklipperen fungerer.
2. La aldri barn eller personer som ikke er kjent med denne bruksanvisningen bruke gressklipperen. Lokale bestemmelser kan omfatte aldersgrenser for bruk av utstyret.
3. Aldri bruk gressklipperen mens uvedkommende (særlig barn og kjæledyr) er tilstede.
4. Vær oppmerksom på at operatøren eller brukeren er ansvarlig for ulykker eller skader som berører andre personer eller deres eiendom.
5. Barn skal holdes under tilsyn for å sikre at de ikke leker med gressklipperen.
6. Fysisk form - Bruk ikke gressklipperen under påvirkning av narkotika, alkohol eller noen medikamenter.

Klargjøring

1. Bruk alltid solid fottøy og lange benklær når gressklipperen brukes. Ikke bruk gressklipperen barbeint eller med åpne sandaler. Unngå klær og smykker som er løse eller har hengende snorer eller bånd. De kan sette seg fast i bevegelige deler.
2. Før bruk skal gressklipperen alltid kontrolleres visuelt med tanke på skade, manglende eller feilplasserte vern eller skjermmer.
3. Sørg for at ingen andre personer befinner seg på området før du begynner å klippe. Stans gressklipperen hvis noen kommer inn på området.
4. Bruk alltid vernebriller for å beskytte øynene mot skade når du bruker elektroverktøy. Brillene må oppfylle kravene i ANSI Z87.1 i USA, EN 166 i Europa eller AS/NZS 1336 i Australia/New Zealand. I Australia/New Zealand er det dessuten lovpålagt å bruke et ansiktsvern for å beskytte ansiktet.



Det er arbeidsgivers ansvar å påse at verktøy-operatørene og alle andre personer i arbeidsområdets umiddelbare nærhet bruker riktig verneutstyr.

5. Før bruk må du kontrollere nøye at knivene eller knivboltene ikke har sprekker eller andre skader. Skift ut sprukne eller ødelagte kniver eller knivbolter omgående.
6. Før bruk av gressklipperen, fjern fremmedlegemer fra arbeidsområdet, som for eksempel steiner, ledninger, flasker, bein og store pinner, for å hindre helseskade eller skade på gressklipperen.
7. Gjenstander som slår mot gressklipperen, kan forårsake alvorlig helseskade. Plenen bør alltid undersøkes nøye og alle objekter fjernes før hver klipping.
8. Se opp for hull, furer, dumper, steiner eller andre skjulte gjenstander. Ujevnt terreng kan forårsake en skli- og fallulykke. Høyt gress kan skjule gjenstander.
9. **Bruk personlig verneutstyr. Bruk alltid beskyttelsesbriller.** Verneutstyr som for eksempel støvmaske, sklisikre vernesko, hjelm og hørselsvern reduserer faren for personskafer når det brukes riktig.

Bruk

1. Ikke strekk deg for langt. Pass alltid på at du holder balansen. Sørg alltid for å ha godt fotfeste i skråninger. Gå, løp aldri.
2. Stopp gressklipperen og slå av maskinen, og kontroller at alle bevegelige deler har stoppet helt opp:
 - alltid når du forlater gressklipperen,
 - før du fjerner ting som har satt seg fast eller renser rennen,
 - før kontroll, rengjøring eller arbeid på gressklipperen,
 - etter at du har slått borti et fremmedlegeme.
 Kontroller gressklipperen med tanke på skade, og reparer før ny oppstart og bruk av gressklipperen,
 - når utstyret begynner å vibrere unormalt kraftig.
3. Aldri bruk en gressklipper som har defekte vern eller beskyttelse, eller som ikke har sikkerhetsutstyr som for eksempel deflektorer og/eller gresskurv på plass.
4. Unngå å bruke gressklipperen under dårlige værforhold, spesielt hvis det er fare for lyn.
5. Du må alltid ha på deg vernebriller og solide sko når du bruker gressklipperen.

6. Gressklipperen skal kun brukes i dagslys eller ved god kunstig belysning.
7. Start gressklipperen forsiktig i henhold til instruksjonene og hold føttene på god avstand fra bladene.
8. Ta nødvendige forholdsregler for å unngå at gressklipperknivene skader føtter eller hender.
9. Pass på at ventilasjonsåpningene alltid holdes fri for rusk og rask.
10. Klipp på tvers av skråninger, aldri oppover og nedover. Vær svært forsiktig under endring av retning i skråninger. Ikke klipp altfor bratte skråninger.
11. Vær svært forsiktig når du rygger eller trekker gressklipperen mot deg.
12. Stans bladene hvis gressklipperen må skråstilles for transportering, ved kryssing av overflater som ikke er gress og under transportering av gressklipperen til og fra området der den skal brukes.
13. Ikke skråstill gressklipperen når motoren slås på, unntatt når gressklipperen må skråstilles for oppstart. I så fall må den ikke skråstilles mer enn absolutt nødvendig, og det er bare delen som er vendt bort fra brukeren som skal løftes. Forsikre deg alltid om at begge hendene er i arbeidsstilling før du setter gressklipperen tilbake på bakken.
14. Ikke plasser hender og føtter nær eller under roterende deler. Hold avstand fra avløpsåpningen til enhver tid.
15. Ikke transporter gressklipperen mens den er påslått.
16. Unngå å bruke gressklipperen på vått gress.
17. Hold alltid godt fast i håndtaket.
18. Ikke grip tak i skjæreblader eller skjærekanten når du plukker opp eller holder i gressklipperen.
19. Hold hender og føtter i god avstand fra roterende bladene. Forsiktig - knivene fortsetter å rotere etter at gressklipperen er slått av.
20. Stans arbeidet umiddelbart dersom du legger merke til noe uvanlig. Slå av gressklipperen. Inspiser gressklipperen.
21. Du må aldri justere kutteøyden mens gressklipperen svinger hvis gressklipperen er utstyrt med funksjonen for justering av kutteøyde.
22. Slipp startbryteren og vent til knivene slutter å rotere før du krysser oppkjørsler, stier, veier og alle grusbelagte områder. I tillegg må du slå av maskinen hvis du forlater gressklipperen, skal plukke opp noe eller fjerne noe som ligger i veien, eller hvis noe av en eller annen grunn avleder deg fra det du holder på med.
23. Hvis gressklipperen slår mot et fremmedlegeme, følger du disse trinnene:
 - Stans gressklipperen, slipp startbryteren og vent til bladene stanser helt.
 - Ta ut batteriet.
 - Undersøk gressklipperen nøye for skader.
 - Erstatt bladet om det på noen måte skulle være skadet. Reparer alle skader før ny oppstart og fortsatt bruk av gressklipperen.
24. Ikke start gressklipperen mens du står foran avløpsåpningen.

25. Hvis gressklipperen begynner å vibrere uvanlig mye (undersøk umiddelbart)
 - inspiser for skader,
 - skift ut eller reparer enhver skadet del,
 - kontroller og stram enhver løs del.
26. Du må aldri rette materiale som kommer ut mot andre personer. Unngå å rette materiale som kommer ut mot en vegg eller hindring. Materiale kan bli slynget tilbake mot operatøren. Stopp kniven når du krysser grusunderlag.
27. Ikke dra gressklipperen bakover med mindre det er helt nødvendig. Når du er nødt til å rygge gressklipperen bort fra et gjerde eller lignende, ser du ned og bak deg før og mens du beveger deg bakover.
28. Slå av motoren, og vent til kniven stopper helt opp før du tar av gressfangeren. Vær oppmerksom på at knivene beveger seg selv om gressklipperen er slått av.
29. Når du bruker maskinen på gjørmete underlag, i våte bakker eller på glatte steder, må du passe på at du ikke mister fotfestet.
30. Ikke senk maskinen ned i en vannpytt.
31. Når du bruker maskinen, må du være oppmerksom på rør og ledninger.

Vedlikehold og oppbevaring

1. Erstatt slitte og skadete deler for å trygge sikkerheten. Bruk kun originale reservedeler og tilbehør.
2. Kontroller og vedlikehold gressklipperen regelmessig.
3. Når gressklipperen ikke er i bruk, må den holdes utenfor barns rekkevidde.
4. Pass på at alle muttere, bolter og skruer sitter fast for å sikre at utstyret er i god stand.
5. Sjekk gresskurven ofte for slitasje eller skader. For oppbevaring må du alltid sørge for at gresskurven er tom. Av hensyn til sikkerhet må en slitt gresskurv alltid skiftes ut med en ny fabrikkprodusert gresskurv.
6. Bruk kun produsentens originale blader som spesifisert i denne bruksanvisningen.
7. Vær forsiktig under justering av gressklipperen slik at fingrene ikke befinner seg mellom roterende blader og gressklipperens faste deler.
8. Kontroller hyppig at bladets festebolt sitter ordentlig fast.
9. La alltid gressklipperen avkjøles før den settes til oppbevaring.
10. Under service på bladene, vær oppmerksom på at selv om strømkilden er avslått, kan bladene fremdeles bevege seg.
11. Du må aldri fjerne eller klusse med sikkerhetsutstyr. Kontroller regelmessig at det fungerer som det skal. Du må aldri gjøre noe for å hindre den tiltenkte funksjonen til sikkerhetsutstyr eller for å redusere beskyttelsen som sikkerhetsutstyr gir.
12. Ikke etterlat maskinen uten tilsyn utendørs når det regner.
13. Ved oppbevaring av maskinen skal du unngå direkte sollys og regn, og den skal oppbevares på et sted som ikke blir varmt eller fuktig.

Bruk og vedlikehold av batteridrevne maskiner

1. **Batteriet må kun lades opp igjen med en lader spesifisert av produsenten.** En lader som passer til én batteritype, kan være brennfarlig når den brukes med en annen batteritype.
2. **Bruk elektroverktøy kun med spesifikt angitte batterier.** Hvis det brukes et hvilket som helst annet batteri, kan dette utgjøre en fare for helse-skader og brann.
3. **Når batteriet ikke er i bruk, må du holde verktøyet unna metallgjenstander som f.eks. binders, mynter, nøkler, spiker, skruer og andre små metallgjenstander som kan skape forbindelse mellom de to polene.** Hvis batteripolene kortsluttes, kan du få brannår, eller det kan begynne å brenne.
4. **Hvis batteriet utsettes for hardhendt bruk, kan det lekket væske fra batteriet. Unngå kontakt med væsken. Hvis du kommer i kontakt med batterivæsken, må du skylle med vann. Hvis du får batterivæske i øynene, må du i tillegg oppsøke lege.** Væsken som kommer ut av batteriet, kan forårsake iritasjon eller forbrenninger.
5. **Ikke bruk et batteri eller verktøy som er skadet eller endret på.** Batterier som er skadet eller endret på kan oppføre seg upålitelig og medføre brann, eksplosjon eller fare for personskader.
6. **Et batteri eller verktøy må ikke utsettes for brann eller for høy temperatur.** Brann eller en temperatur over 130 °C kan forårsake eksplosjon.
7. **Følg alle ladeinstruksjoner, og ikke lad batteriet eller verktøyet utenfor temperaturområdet som er angitt i instruksjonene.** Feil lading eller ved temperaturer utenfor det angitte området, kan skadet batteriet og øke faren for brann.

Elektrisk sikkerhet og batterisikkerhet

1. **Ikke kast batteriet (batteriene) på åpen ild.** Cellen kan eksplodere. Batterier skal leveres til en forhandler av elektroutstyr eller til et kommunalt avfallsmottak.
2. **Ikke åpne eller ødelegg batteriet (batteriene).** Elektrolytt som lekker ut er korroderende, og kan forårsake skader på øyne og hud. Den kan være giftig hvis den svelges.
3. **Ikke skift batteri når det regner, eller i fuktige omgivelser.**
4. **Ikke lad batteriet utendørs.**
5. **Ikke håndter laderen, inkludert laderstøpelet og laderterminalene, med våte hender.**
6. **Ikke skift ut batteriet når det regner.**
7. **Ikke la batteriklemmen komme i kontakt med væske som f.eks. vann, og batteriet må heller ikke senkes ned i vann. Ikke la batteriet stå ute i regnet, og du må heller ikke lade, bruke eller oppbevare batteriet på et fuktig eller vått sted.** Hvis klemmen blir våt, eller hvis væske trenger inn i batteriet, kan batteriet kortslutte, og det er fare for overoppheting, brann eller eksplosjon.
8. **Når du har tatt batteriet ut av maskinen eller laderen, må du feste batteridekselet på batteriet og oppbevare det på et tørt sted.**
9. **Ikke skift ut batteriet med våte hender.**
10. **Unngå farlige miljøer. Ikke bruk maskinen i fuktige eller våte omgivelser, og ikke utsett den for regn.** Hvis det kommer vann inn i maskinen, vil risikoen for elektriske støt øke.

11. Hvis batteriinnsetsen blir våt, tøm ut vannet på innsiden og tørk av med en tørr klut. Tørk batteriinnsetsen helt på et tørt sted før bruk.

Service

1. La en kvalifisert reparatør utføre service på det elektriske verktøyet ditt, og se til at vedkommende kun bruker originale reservedeler. Dette vil opprettholde sikkerheten til det elektriske verktøyet.
2. Aldri foreta service på skadde batterier. Service på batterier skal kun utføres av produsenten eller godkjente serviceleverandører.

TA VARE PÅ DISSE INSTRUKSENE.

⚠ ADVARSEL: IKKE LA hensynet til hva som er "behagelig" eller det faktum at du kjenner produktet godt (etter mange gangers bruk) gjøre deg mindre oppmerksom på sikkerhetsreglene for bruken av det aktuelle produktet.

Ved MISBRUK eller hvis ikke sikkerhetsreglene i denne bruksanvisningen følges, kan det oppstå alvorlig personskade.

Viktige sikkerhetsanvisninger for batteriinnsets

1. Før du begynner å bruke batteriet, må du lese alle anvisninger og forsiktighetsregler på (1) batteriladeren, (2) batteriet og (3) det produktet batteriet skal brukes i.
2. Ikke demonter eller tukle batteriet. Det kan føre til brann, overoppheting eller eksplosjon.
3. Hvis driftstiden er blitt vesentlig kortere, må du omgående slutte å bruke maskinen. Hvis ikke kan resultatet bli overoppheting, mulige forbrenninger eller til og med en eksplosjon.
4. Hvis du får elektrolytt i øynene, må du skylle dem med store mengder rennende vann og oppsøke lege med én gang. Denne typen uhell kan føre til varig blindhet.
5. Ikke kortslett batteriet:
 - (1) De kan være ekstremt varme og du kan brenne deg.
 - (2) Ikke lagre batteriet i samme beholder som andre metallgjenstander, som for eksempel spiker, mynter osv.
 - (3) Ikke la batteriet komme i kontakt med vann eller regn.

En kortslutning av batteriet kan føre til et kraftig strømstøt, overoppheting, mulige forbrenninger og til og med til at batteriet går i stykker.

6. Ikke oppbevar og bruk verktøyet og batteriet på steder hvor temperaturen kan komme opp i eller overskride 50 °C.
7. Ikke sett fyr på batteriet, ikke engang om det er sterkt skadet eller helt utslitt. Batteriet kan eksplodere hvis det begynner å brenne.
8. Du må ikke spikre, skjære, klemme, kaste eller miste batteriet, og heller ikke slå en hard gjenstand mot batteriet. En slik oppførsel kan føre til brann, overoppheting eller eksplosjon.
9. Ikke bruk batterier som er skadet.

10. Lithium-ion-batteriene som medfølger er gjenstand for krav om spesialavfall.

For kommersiell transport, f.eks av tredjeparter eller speditorer, må spesielle krav om pakking og merking følges.

Før varen blir sendt, må du forhøre deg med en ekspert på farlig materiale. Ta også hensyn til muligheten for mer detaljerte nasjonale bestemmelser.

Bruk teip eller maskeringsteip for å skjule åpne kontakter og pakk inn batteriet på en slik måte at den ikke kan bevege seg rundt i emballasjen.

11. Når du kasserer batteriinnsetsen, må du ta den ut av verktøyet og avhende den på et sikkert sted. Følg lokale bestemmelser for avhending av batterier.
12. Bruk batteriene kun med produkter spesifisert av Makita. Montere batteriene i produkter som ikke er konforme kan føre til brann, overheting eller elektrolyttlekkasje.
13. Hvis verktøyet ikke skal brukes over en lengre periode, må batteriet tas ut av verktøyet.
14. Under og etter bruk kan batteriet bli varmt og før til brannskader. Vær forsiktig med håndteringen av varme batterier.
15. Ikke berører terminalen på verktøyet rett etter bruk, da den kan bli varm og forårsake brannskader.
16. Ikke la spon, støv eller jord sette seg fast i terminalene, hullene og sporene i batteriet. Det kan føre til at batteriet eller verktøyet blir overopphet, begynner å brenne, sprekker eller ikke fungerer som det skal, og forårsake brannskader eller personskade.
17. Med mindre verktøyet støtter bruk nær en høyspent strømlinje, skal ikke batteriet brukes nær en høyspent strømlinje. Det kan føre til en funksjonsfeil eller at verktøyet eller batteriet slutter å fungere.
18. Oppbevar batteriet utilgjengelig for barn.

TA VARE PÅ DISSE INSTRUKSENE.

⚠ FORSIKTIG: Bruk kun originale Makita-batterier. Bruk av batterier som har endret seg, eller som ikke er originale Makita-batterier, kan føre til at batteriet sprekker og forårsaker brann, personskader og andre skader. Det vil også ugyldiggjøre garantien for Makita-verktøyet og -laderen.

Tips for å opprettholde maksimal batterilevetid

1. Lad batteriinnsetsen før den er helt utladet. Stopp alltid driften av verktøyet og lad batteriinnsetsen når du merker at effekten reduseres.
2. Lad aldri en batteriinnsets som er fulladet. Overopplading forkorter batteriets levetid.
3. Lad batteriet i romtemperatur ved 10 °C - 40 °C. Et varmt batteri må kjøles ned før lading.
4. Når batteriet ikke er bruk, skal det tas ut av verktøyet eller laderen.
5. Lad batteriet hvis det ikke har vært brukt på en lang stund (over seks måneder).

MONTERING

⚠ ADVARSEL: Påse alltid at batteriene er fjernet før det utføres arbeid på maskinen. Hvis ikke batteriene fjernes, kan det føre til alvorlig personskade ved utilsiktet oppstart.

⚠ ADVARSEL: Start aldri opp gressklipperen før det er fullstendig montert. Bruk av maskinen i en delvis montert tilstand, kan føre til alvorlig personskade som følge av utilsiktet oppstart.

Montering av håndtaket

OBS: Når du monterer håndtakene, må du være forsiktig slik at du ikke klemmer ledningen mellom håndtakene. Hvis ledningen blir eller er skadet, kan det hende at gressklipperbryteren ikke fungerer som den skal.

1. Innrett hullet i det nedre håndtaket etter hullet i det øvre håndtaket, sett i bolten fra utsiden, og stram deretter til fingermutteren fra innsiden. Utfør samme prosedyre på den andre siden.

► **Fig.1:** 1. Bolt 2. Fingermutter 3. Nedre håndtak 4. Øvre håndtak

2. Drei knotten 90° mens du trekker i knotten på det nedre håndtaket for å løsne låsepinnen. Utfør samme prosedyre på den andre siden. Juster håndtakshøyden opp, og drei deretter knotten på begge sider 90°. Sørg for at knottene er ordentlig festet.

► **Fig.2:** 1. Knott

MERK: Hvis du holder i håndtaket, blir det enklere å løsne låsestiften mens du drar i knotten.

MERK: Vær forsiktig slik at ledningen ikke hektes fast i knotten når du dreier på knotten.

► **Fig.3:** 1. Knott

Ta av utstyret for bioklipping

1. Åpne bakdekselet.

► **Fig.4:** 1. Bakdeksel

2. Løft utstyret for bioklipping litt opp, og så fjerner du det.

► **Fig.5:** 1. Utstyr for bioklipping

Sette sammen gresskurven

1. Ta opp den øvre klemmen på gresskurven.

► **Fig.6:** 1. Øvre klemme

2. Sett rammen så langt inn i gresskurven som den går samtidig som du holder rammens håndtak.

► **Fig.7:** 1. Håndtak

OBS: Ikke sett håndtaket inn i gresskurven. Sørg for å sette inn rammens langs gresskurvens søm.

3. Kontroller at gresskurven ikke henger ned i hjørnene.

► **Fig.8**

4. Åpne den øvre klemmen, og fest den til rammen.

► **Fig.9**

5. Fest alle de andre klemmene som vist i figuren. Sørg for at alle klemmene festes godt til rammen.

► **Fig.10:** 1. Klemme

Montere eller ta av gresskurven

Følg trinnene nedenfor for å montere gresskurven.

1. Åpne bakdekselet.

► **Fig.11:** 1. Bakdeksel

2. Hold i håndtaket på gresskurven, og hekt deretter gresskurven på stangen på gressklipperen som vist i figuren.

► **Fig.12:** 1. Gresskurv 2. Håndtak 3. Stang

Når du skal ta av gresskurven, åpner du bakdekselet, og deretter tar du av gresskurven ved å holde i håndtaket.

Feste utstyret for bioklipping

1. Åpne bakdekselet og fjern gresskurven.

► **Fig.13:** 1. Bakdeksel 2. Gresskurv

2. Fest utstyret for bioklipping ved å skyve det så langt det går slik at fremspringene på utstyret for bioklipping passer i hullene på maskinen.

► **Fig.14:** 1. Utstyr for bioklipping 2. Fremspring

Montere eller demontere utkastrennen

Følg trinnene nedenfor for å montere utkastrennen.

1. Åpne bakdekselet, og fjern gresskurven og utstyret for bioklipping.

2. Fest hullene på utkastrennen til fremspringene på gressklipperens hoveddel, slik det vises i figuren.

► **Fig.15:** 1. Utkastrenne 2. Fremspring

Når du skal fjerne utkastrennen, åpner du bakdekselet og fjerner utkastrennen.

FUNKSJONSBEKRIVELSE

Sette inn eller ta ut batteri

⚠️FORSIKTIG: Stå alltid av maskinen før du setter inn eller fjerner batteriet.

⚠️FORSIKTIG: Hold maskinen og batteriet i et fast grep når du monterer eller fjerner batteriet. Hvis du ikke maskinen verktøyet og batteriet godt fast, kan du miste grepet, og dette kan føre til skader på maskinen og batteriet samt personskade.

⚠️FORSIKTIG: Sørg for at du lukker batterilokket før bruk. Ellers kan søle, skitt eller vann påføre skader på produktet eller batteripatronen.

⚠️FORSIKTIG: Batteriet må alltid settes helt inn, så langt at den røde indikatoren ikke lenger er synlig. Hvis dette ikke gjøres, kan batteriet falle ut av maskinen og skade deg eller andre som oppholder seg i nærheten.

⚠️FORSIKTIG: Ikke bruk makt når du setter i batteriet. Hvis batteriet ikke glir lett inn, er det fordi det ikke settes inn på riktig måte.

⚠️FORSIKTIG: Hold batteridekselet i et fast grep når du setter i eller tar ut batteriet.

Installering av batteriet;

1. Dra opp låsehendelen, og åpne batteridekselet.

► Fig.16: 1. Batterideksel 2. Låsehendel

2. Rett inn batterituppen med sporet på maskinen, og skyv inn batteriet til det låses på plass med et lite klikk.

► Fig.17: 1. Batteriinnstans

3. Lukk batteridekselet og trykk på det inntil det låses sammen med låsespaken.

Ta ut batteriet;

1. Dra opp låsehendelen, og åpne batteridekselet.

2. Trekk batteriet ut av maskinen mens du skyver på knappen foran på batteriet og trekker det ut.

3. Lukk batteridekselet.

Vernesystem for maskin/batteri

Maskinen er utstyrt med et vernesystem for maskin/batteri. Dette systemet slår automatisk av strømmen til motoren for å forlenge maskinens og batteriets levetid. Maskinen stopper automatisk under drift hvis maskinen eller batteriet utsettes for en av følgende tilstander:

Overlastsikring

Når batteriet brukes på en måte som gjør at det bruker unormalt mye strøm, vil maskinen stanse automatisk, og strømlampen blinker grønt. I denne situasjonen må du skru av maskinen og stanse bruken som forårsaket at maskinen ble overopphetet. Slå deretter maskinen på for å starte den igjen.

Overopphetingsvern

Når maskinen blir overopphetet, stopper maskinen automatisk, og strømlampen lyser rødt. I dette tilfellet lar du maskinen og batteriene avkjøles før du starter maskinen på nytt.

MERK: Når batteriet blir overopphetet, blinker strømlampen rødt.

Overutladingsvern

Når batterikapasiteten blir utilstrekkelig, stopper maskinen automatisk, og strømlampen blinker rødt. I dette tilfellet tar du batteriet ut av maskinen og lader batteriene, eller erstatt batteriene med fulladede batterier.

Vern mot andre årsaker

Vernesystemet er også laget for beskyttelse mot andre ting som kan skade maskinen, og gjør at den stanser automatisk. Gå gjennom alle de følgende trinnene for å feilsøke og fjerne årsakene etter at verktøyet har stanset midlertidig eller helt.

1. Slå av maskinen, og slå den deretter på igjen for å starte på nytt.
2. Lad opp batteriene eller skift dem ut med oppladede batterier.
3. La maskinen og batteriene avkjøles.

Hvis det ikke blir noen forbedring ved at vernesystemet gjenopprettes, tar du kontakt med det lokale Makita-servicesenteret.

OBS: Hvis verktøyet stopper av en årsak som ikke er beskrevet ovenfor, kan du se under avsnittet for feilsøking.

Indikere gjenværende batterikapasitet

► Fig.18: 1. Batterianviser

Når den gjenværende batterikapasiteten blir lav, blinker batteriindikatoren på den aktuelle siden for batteriet. Ved fortsatt bruk stopper maskinen, og batteriindikatoren tennes. I dette tilfellet lader du batteriet.

MERK: Hvis det er montert to batterier, brukes batteriet som er montert på venstre side, først.

MERK: Hvis det er montert to batterier, bytter maskinen batteri automatisk når batteriet som brukes, går tomt for batteristrøm.

Indikere gjenværende batterikapasitet

Trykk på sjekk-knappen på batteriet for vise gjenværende batterikapasitet. Indikatorlampene lyser i et par sekunder.

► **Fig.19:** 1. Indikatorlamper 2. Kontrollknapp

Indikatorlamper			Gjenværende batterinivå
Tent	Av	Bliker	
■	□	▬	
■ ■ ■ ■			75 % til 100 %
■ ■ ■ □			50 % til 75 %
■ ■ □ □			25 % til 50 %
■ □ □ □			0 % til 25 %
▬ □ □ □			Lad batteriet.
■ ■ □ □			Batteriet kan ha en feil.
□ □ ■ ■	↑ ↓		

MERK: Det angitte nivået kan avvike noe fra den faktiske kapasiteten alt etter bruksforholdene og den omgivende temperaturen.

MERK: Den første (helt til venstre) indikatorlampen vil blinke når batterivernsystemet fungerer.

Kontrollpanel

På kontrollpanelet finner du strømbryteren og knappen for modusskifte.

► **Fig.20:** 1. Lampe for myk modus uten belastning
2. Lampe for modus for støyreduksjon
3. Knapp for modusskifte 4. Strømlampe
5. Strømbryter

Strømbryter

ADVARSEL: Pass på å slå av strømbryteren når den ikke er i bruk.

Slå på maskinen ved å trykke på strømbryteren. Strømlampen lyser grønt. Slå av maskinen ved å trykke på strømbryteren på nytt.

MERK: Hvis strømlampen lyser rødt eller blinker grønt, se i instruksjonene for beskyttelsessystemet for maskin/batteri.

MERK: Denne maskinen bruker automatisk utkobling. For å unngå utilsiktet oppstart, vil strømbryteren slås av automatisk når du ikke drar i startbryteren og kjørespaken (hvis dette finnes) i løpet av en viss tidsperiode etter at strømbryteren er slått på.

Knapp for modusskifte

Du kan bytte driftsmodus ved å trykke på knappen for modusskifte. Når maskinen er slått av, starter maskinen opp i normal modus.

Se tabellen nedenfor for hver modus.

Modus	Lampe	Beskrivelse
Normal modus	Både lampen for myk modus uten belastning og lampen for modus for støyreduksjon er avslått.	Maskinen fungerer i normal modus.
Myk modus uten belastning	Lampen for myk modus uten belastning lyser grønt.	Du kan minimere oppstarteffekten og få en jevn start på maskinen.
Modus for støyreduksjon	Lampen for modus for støyreduksjon lyser grønt.	Du kan redusere støyen under klipping.

Bryterfunksjon

ADVARSEL: Før du setter batteriet inn, må du alltid kontrollere at bryterspaken fungerer som den skal, og at den går tilbake til sin opprinnelige posisjon når du slipper den. Hvis du bruker maskinen med en bryter som ikke fungerer som den skal, kan du komme til å miste kontrollen, og det kan føre til alvorlig personskade.

MERK: Gressklipperen starter ikke uten at bryterknappen trykkes på, selv hvis du trekker i bryterspaken.

MERK: Gressklipperen starter kanskje ikke på grunn av overlasten når du prøver å klippe langt eller tett gress i én økt. I slike tilfeller må du øke klippehøyden.

Denne maskinen er utstyrt med startknapp. Hvis du merker noe uvanlig med statknappen, stanser du bruken umiddelbart og drar til nærmeste Makita autoriserte service-senter for inspeksjon.

1. Monter batteriene, og lukk deretter batteridekselet.
2. Trykk på strømknappen.

MERK: Strømlampen blinker grønt hvis du trykker på strømbryteren mens du drar i bryterspaken. Slipp bryterspaken før du trykker på strømbryteren.

3. Trekk bryterspaken mot deg mens du trykker ned bryterknappen. Slipp bryterknappen når motoren begynner å kjøre.

► **Fig.21:** 1. Startknapp 2. Startspak

4. Mens du holder bryterknappen, skyver du kjørespaken forover og holder den for å drive bakhjulene.

► **Fig.22:** 1. Kjørespak

MERK: Du kan drive bakhjulene ved å skyve kjørespaken forover og holde den uten å trekke i bryterspaken.

5. Slipp kjørespaken og bryterspaken for å stanse maskinen.

Tilpasse klippehøyden

⚠ ADVARSEL: Plasser aldri hånd eller ben under gressklipperens hoveddel når du justerer klippehøyden.

⚠ ADVARSEL: Sørg alltid for at spaken passer ordentlig inn i fordypningen før bruk.

Klippehøyden kan justeres i området mellom 20 mm og 100 mm.

Slå av maskinen, dra justeringshendelen for klippehøyde utover fra gressklipperen, og beveg den til ønsket klippehøyde.

► **Fig.23:** 1. Justeringshendel for klippehøyde

Tabellen nedenfor viser forholdet mellom tallet på gressklipperen og den omtrentlige klippehøyden.

Tall	Klippehøyde
1	20 mm
2	26 mm
3	32 mm
4	39 mm
5	47 mm
6	55 mm
7	63 mm
8	74 mm
9	86 mm
10	100 mm

Hold det nedre håndtaket med én hånd, og beveg deretter justeringshendelen for klippehøyde med den andre hånden.

► **Fig.24:** 1. Justeringshendel for klippehøyde
2. Nedre håndtak

MERK: Tallene for klippehøyde er kun ment å være veiledende. Avhengig av plenen eller bakken kan faktisk plen høyde varierer litt fra den angitte høyden.

MERK: Gjør en prøveklipping på et mindre iøynefallende sted for å oppnå den høyden du ønsker.

Indikator for gressnivå

Indikatoren for gressnivå viser hvor mye gress som er klippet. Så lenge gresskurven ikke er full, flyter indikatoren når knivene svinger.

► **Fig.25:** 1. Indikator for gressnivå

Når gresskurven er nesten full, flyter ikke indikatoren når knivene svinger. Når dette skjer, må du umiddelbart stanse og tømme kurven.

► **Fig.26:** 1. Indikator for gressnivå

MERK: Denne indikatoren er kun en veiledning. Avhengig av tilstanden inne i kurven, kan det hende at indikatoren ikke fungerer som den skal.

Justere håndtakhøyden

Håndtakhøyden kan justeres i to nivåer.

1. Hold det nedre håndtaket og drei knotten 90° mens du trekker i knotten på det nedre håndtaket for å løsne låsepinnen. Utfør samme prosedyre på den andre siden.

► **Fig.27:** 1. Nedre håndtak 2. Knott

MERK: Hvis du holder i håndtaket, blir det enklere å løsne låsestiften mens du drar i knotten.

2. Juster håndtakhøyden og drei deretter knotten på begge sider 90°. Sørg for at knottene er ordentlig festet.

► **Fig.28:** 1. Knott

Justere kjørehastigheten

► **Fig.29:** 1. Gasshåndtak

Kjørehastigheten kan justeres ved å dreie på gasshåndtaket. Vil du senke hastigheten, drar du håndtaket mot deg, og vil du øke hastigheten, dreier du håndtaket forover.

Bruke utstyret for bioklipping

Med utstyret for bioklipping kan du slippe det klippede gresset tilbake på bakken uten å samle det opp i gresskurven. Når du bruker maskinen med utstyret for bioklipping, må du passe på å fjerne gresskurven eller utkastrennen.

OBS: Når du bruker maskinen med pluggen for bioklipping, må du kontrollere at gressets totale lengde etter klipping er 30 mm eller mer, og at skjærelengden er 15 mm eller mindre.

► **Fig.30:** (1) 30 mm eller mer (2) 15 mm eller mindre

Bruke utkastrennen

Med utkastrennen kan du slippe det klippede gresset tilbake på bakken fra den høyre siden på maskinen, uten å samle det opp i gresskurven. Når du bruker maskinen med utstyret for bioklipping, må du passe på å fjerne gresskurven og utstyret for bioklipping.

Bruk av den utkasteren bak

Det bakre utkasterutrustningen lar deg sende det klippede gresset på bakken fra baksiden på maskinen, uten å samle opp det klippede gresset i gresskurven.

Når du bruker maskinen med bakre utkaster, må du sørge for å fjerne utstyret for bioklipping og gresskurven eller utkastrennen og deretter lukke bakdekselet.

Elektronisk funksjon

Maskinen er utstyrt med de elektroniske funksjonen for å gjøre den enklere å bruke.

- Mykstart ved kjøring
Myk start-funksjonen reduserer oppstartssjokket til et minimum, og gjør at maskinen starter mykt.
- Elektrisk brems
Denne maskinen er utstyrt med en elektrisk brems. Hvis maskinen konsekvent ikke stanser gressklipperknivene raskt når bryterspaken slippes, sendes maskinen til service hos et autorisert Makita-servicenter.

BRUK

Klipping

⚠ ADVARSEL: Før klipping, rydd vekk pinner og steiner fra klippeområdet. I tillegg, rensk vekk ugress fra området på forhånd.

⚠ ADVARSEL: Bruk alltid vernebriller med sidevern under bruk av gressklipperen.

⚠ FORSIKTIG: Hvis det klippede gresset eller fremmedlegemer hoper seg opp inni gressklipperen, må du ta ut batteriene og ta på deg hansker før du fjerner gresset eller fremmedlegemene.

OBS: Denne maskinen skal kun brukes til plenklipping. Ikke klipp ugress med denne maskinen.

► Fig.31

Hold håndtaket fast med begge hender under klippingen. Retningslinjen for klippehastighet er omtrent 7 til 14 meter per 10 sekunder.

► Fig.32

MERK: Når du klipper en lang eller tett plen, hvis plenen er ujevn eller resultatet ser dårlig ut etter gressklipping, eller motorhastigheten reduseres under klipping, reduserer du klippehastigheten lavere enn det som er anbefalt i denne bruksanvisningen, eller øker klippehøyden.

Senterlinjene på fronthjulene er veiledende for klippebredden. Klipp i striper ved hjelp av senterlinjene som veiledning. Overlapp med halvdelen til én tredel av den foregående stripen for å klippe plenen jevnt.

► **Fig.33:** 1. Klippebredde 2. Overlapping 3. Senterlinje

Skift klipperetning hver gang for å unngå at mønsteret for gressstråretningen dannes bare i én retning.

► Fig.34

Kontroller gressnivået i gresskurven med jevne mellomrom. Tøm ut gresset før den blir helt full. Sørg for at du stanser og slår av maskinen før hver kontroll.

OBS: Bruk av gressklipperen med gresskurven full, hindrer jevn rotering av kniven og legger en ekstra belastning på motoren, hvilket kan føre til at den bryter sammen.

Klippe lang plen

Ikke forsøk å klippe lang plen i én omgang. Det er bedre å klippe plenen trinnvis. La det gå en dag eller to mellom hver klipping, inntil plenen blir jevnt kort.

► Fig.35

MERK: Hvis du klipper plenen ned til en kort lengde i én omgang, kan gresset dø. Det oppklippede gresset kan også blokkere insiden av gressklipperen.

MERK: Hvis plenen er ujevn eller resultatet ser dårlig ut etter gressklipping, eller motorhastigheten reduseres under klipping, reduserer du klippehastigheten eller øker klippehøyden.

Tømming av gresskurven

⚠ ADVARSEL: For å redusere faren for ulykker, kontroller regelmessig gresskurven for skade eller redusert styrke. Skift om nødvendig ut gresskurven.

1. Slipp bryterspaken og kjørespaken.
2. Slå av maskinen.
3. Åpne bakdekselet, og ta ut gresskurven ved å holde i håndtaket.
► **Fig.36:** 1. Bakdekselet 2. Håndtak 3. Gresskurv
4. Tøm gresskurven.

VEDLIKEHOLD

⚠ ADVARSEL: Sørg alltid for at alle batterier er tatt ut av gressklipperen før oppbevaring eller bæring av maskinen, eller forsøk på inspeksjon eller vedlikehold.

⚠ ADVARSEL: Bruk hansker når du utfører inspeksjon eller vedlikehold.

⚠ ADVARSEL: Bruk alltid sikkerhets- eller vernebriller med sidevern når du utfører inspeksjon eller vedlikehold.

OBS: Aldri bruk gasolin, bensin, tynner alkohol eller lignende. Det kan føre til misfarging, deformering eller sprekke dannelse.

For å opprettholde produktets SIKKERHET og PÅLITELIGHET, må reparasjoner, vedlikehold og justeringer utføres av autoriserte Makita servicesentre eller fabrikk servicesentre, og det må alltid brukes reservedeler fra Makita.

Vedlikehold

1. Fjern alle batteriene, og lukk deretter batteridekselet.
2. Legg gressklipperen på siden. Fjern rester av klippet gress som har samlet seg på undersiden av gressklipperdekket.
3. Tøm vann mot bunnen av maskinen der kniven er festet.

OBS: Ikke vask maskinen med høytrykksvann.

4. Kontroller at alle muttere, bolter, skruer, osv. er ordentlig festet.
5. Kontroller bevegelige deler for skade, brudd og slitasje. Skadede og manglende deler skal repareres eller skiftes ut.
6. Oppbevar gressklipperen på et trygt sted som er utilgjengelig for barn.

OBS: Ikke tøm vann i området som vises i figuren. Hvis du tømmer vann i motoren, kan det føre til at maskinen slutter å virke.

► **Fig.37:** 1. Område der vann ikke skal tømmes

OBS: Ikke hell vann på maskinen mens maskinen står i oppreist posisjon som vist i figuren. Hvis maskinen står i oppreist posisjon, kan det renne vann ned over motorenheten, noe som kan føre til funksjonsfeil i maskinen.

► Fig.38

Bære gressklipperen

⚠FORSIKTIG: Før du bærer gressklipperen, må du sørge for at alle batteriene er fjernet.

Ved bæring av gressklipperen skal to personer holde i bakgrepet og det nedre holdedelene foran på maskinen som vist i figuren.

► Fig.39: 1. Nedre holdedel 2. Bakgrep

Oppbevaring

⚠FORSIKTIG: Når du stiller maskinen i oppreist posisjon, må du sørge for å plassere maskinen på en flat og stabil overflate. Hvis maskinen plasseres på en ustabil overflate, kan maskinen falle over ende og forårsake personskade.

Oppbevar gressklipperen innendørs på et kjølig, tørt og låst sted. Ikke oppbevar gressklipperen og laderen på steder hvor temperaturen kan komme opp i eller overskride 40 °C.

1. Ta ut alle batteriene.

2. Drei knotten 90° mens du trekker i knotten på det nedre håndtaket for å løsne låsepinnen. Utfør samme prosedyre på den andre siden, og fold deretter sammen håndtaket.

► Fig.40: 1. Knott

MERK: Hvis du holder i håndtaket, blir det enklere å løsne låsestiften mens du drar i knotten.

3. Drei knotten på begge sider 90°. Sørg for at knottene er ordentlig festet.

► Fig.41: 1. Knott

OBS: Vær forsiktig så du ikke klemmer ledningene når du folder sammen håndtaket.

4. Løsne fingermutrene på begge sider, og fold deretter sammen det øvre håndtaket slik det vises i figuren.

► Fig.42: 1. Fingermutter 2. Øvre håndtak

5. Plasser maskinen i oppreist posisjon.

MERK: Når gressklipperen settes i oppreist stilling, må du ikke holde bare i håndtaket, hold både i hoveddelen på gressklipperen og i håndtaket.

6. Oppbevar gresskurven slik det vises i figuren.

► Fig.43: 1. Gresskurv

► Fig.44: 1. Gresskurv

Demontere eller montere gressklipperkniven

⚠ADVARSEL: Bladet roterer i noen få sekunder etter at bryteren er sluppet. Ikke start noen form for arbeid før kniven har stanset helt.

⚠ADVARSEL: Ta alltid ut batteriene når bladet skal fjernes eller monteres. Hvis batteriene ikke fjernes, kan dette forårsake alvorlig personskade.

⚠ADVARSEL: Når du håndterer bladet, bruk alltid hansker.

Ta ut gressklipperkniven

1. Legg gressklipperen på siden slik at justeringspakken for klippehøyde er på den øvre siden.

2. Lås bladet ved å sette splinten så langt inn i hullet på gressklipperen som den går.

3. Drei boltene mot klokken med stjernenøkkel 17.

► Fig.45: 1. Gressklipperkniv 2. Splint 3. Stjernenøkkel

4. Fjern boltene og deretter gressklipperkniven.

► Fig.46: 1. Knivholder 2. Gressklipperkniv 3. Bolt 4. Fremspring

OBS: Når du monterer gressklipperkniven, må du sørge for at fremspringene på knivholderen passer inn i hullene i gressklipperkniven.

Montere gressklipperkniven

⚠ADVARSEL: Sett gressklipperkniven forsiktig inn. Den har en over- og underside.

⚠ADVARSEL: Stram til boltene med klokken for å feste bladet.

⚠ADVARSEL: Sørg for at gressklipperkniven og alle festedelene er riktig montert og godt strammet.

⚠ADVARSEL: Når du skifter ut bladene, skal du alltid følge anvisningene i denne håndboken.

OBS: Når du har montert gressklipperknivene, fjerner du splinten fra gressklipperen.

Monter gressklipperknivene ved å følge fremgangsmåten for demontering i motsatt rekkefølge.

FEILSØKING

Inspirer utstyret selv før du bestiller reparasjon. Ikke prøv å demontere maskinen hvis du finner et problem som ikke er forklart i brukerveiledningen. I stedet skal du ta kontakt med et autorisert Makita-servicesenter, som alltid bruker reservedeler fra Makita til reparasjoner.

Unormal tilstand	Sannsynlig årsak (feil)	Løsning
Gressklipperen starter ikke.	Batteriet er ikke satt inn.	Sett inn ladet batteri.
	Batteriproblem (med spenning)	Lad batteriet. Hvis ladingen ikke virker, skal batteriet skiftes ut.
Motoren slutter å gå etter kort tids bruk.	Batteriets ladenivå er lavt.	Lad batteriet. Hvis ladingen ikke virker, skal batteriet skiftes ut.
	Klippehøyden er for lav.	Øk klippehøyden.
	Det sitter gress fast i gressklipperen.	Fjern gresset fra gressklipperen.
Motoren når ikke maksimalt antall omdreininger per minutt.	Batteriet er riktig satt inn.	Sett inn batteriet som beskrevet i denne håndboken.
	Batterieffekten minsker.	Lad batteriet. Hvis ladingen ikke virker, skal batteriet skiftes ut.
	Drivsystemet virker ikke slik det skal.	Kontakt ditt nærmeste autoriserte servicesenter hvis det oppstår behov for reparasjon.
Gressklipperkniven roterer ikke: ⇒ stans gressklipperen umiddelbart!	Fremmedlegemer, for eksempel grener, har satt seg fast nære kniven.	Fjern fremmedlegemet.
	Drivsystemet virker ikke slik det skal.	Kontakt ditt nærmeste autoriserte servicesenter hvis det oppstår behov for reparasjon.
Unormale vibrasjoner: ⇒ stans gressklipperen umiddelbart!	Kniven er i ubalanse, for slitt eller ujevnt slitt.	Skift ut kniven.

VALGFRITT TILBEHØR

⚠FORSIKTIG: Det anbefales at du bruker dette tilbehøret eller verktøyet sammen med Makita-maskinen som er spesifisert i denne håndboken. Bruk av annet tilbehør eller verktøy kan forårsake personskader. Tilbehør og verktøy må kun brukes til det formålet det er beregnet på.

Ta kontakt med ditt lokale Makita-servicesenter hvis du trenger mer informasjon om dette tilbehøret.

- Gressklipperkniv
- Makita originalbatteri og lader

MERK: Enkelte artikler på listen kan være inkludert som standardtilbehør i produktpakken. Artiklene kan variere fra land til land.

TEKNISET TIEDOT

Malli:		LM001G	LM002G
Leikkuleveys (terän halkaisija)		480 mm	534 mm
Kuormittamaton kierrosnopeus	Normaali tila	3 200 min ⁻¹	2 800 min ⁻¹
	Pehmeä kuormittamaton tila	2 500–3 200 min ⁻¹	2 300–2 800 min ⁻¹
	Äänenvähennystila	2 500 min ⁻¹	2 300 min ⁻¹
Ruohonleikkurin vaihtoterän osanumero	Suora ruohonleikkurin terä	191V97-3	191V96-5
	Suora ruohonleikkurin terä *1	-	191W87-2
	Silppuva terä	191Y64-6	191Y65-4
Mitat (P x L x K)	toiminnan aikana	P: 1 670 mm – 1 745 mm L: 550 mm K: 965 mm – 1 075 mm	P: 1 740 mm – 1 810 mm L: 595 mm K: 970 mm – 1 080 mm
	varastoitaessa (ilman ruohosäiliötä)	585 mm x 550 mm x 900 mm	580 mm x 595 mm x 930 mm
Ajonopeus		1,5–5,0 km/h	
Nimellisjännite		DC 36 V – 40 V maks.	
Nettopaino		28,0 – 33,0 kg	29,3 – 34,5 kg
Suojausluokka		IPX4	

*1. Ruohonleikkurin terä tehokkaampaa ruohonkeräystä varten.

- Jatkuvasta tutkimus- ja kehitystyöstämme johtuen esitetyt tekniset tiedot saattavat muuttua ilman erillistä ilmoitusta.
- Tekniset tiedot voivat vaihdella maittain.
- Paino voi olla erilainen lisävarusteista sekä akusta johtuen. EPTA-menettelytavan 01/2014 mukaisesti, taulukossa on kuvattu kevyin ja painavin laiteyhdistelmä.

Käytettävä akkupaketti ja laturi

Akkupaketti	BL4020 / BL4025 / BL4040* / BL4050F* / BL4080F* *: Suositeltu akku
Laturi	DC40RA / DC40RB / DC40RC





- Tiettyjä yläpuolella kuvattuja akkuja ja latureita ei ehkä ole saatavana asuinalueestasi johtuen.

VAROITUS: Käytä vain edellä eriteltyjä akkupaketteja ja latureita. Muiden akkupakettien ja laturien käyttäminen voi aiheuttaa loukkaantumisen ja/tai tulipalon.

VAROITUS: Älä käytä koneen kanssa johdollista virtälähdettä, kuten akkusovitinta tai kannettavaa tehoyksikköä. Tällaisen virtälähteen johto voi haitata käyttöä ja aiheuttaa henkilövahingon.

Symbolit

Laitteessa on mahdollisesti käytetty seuraavia symboleja. Opettele niiden merkitys ennen käyttöä.

	Noudata erityistä varovaisuutta ja kiinnitä huomiota.
	Lue käyttöohje.
	Vaara; varo sinkoutuvia kappaleita.
	Sivullisten henkilöiden etäisyyden työkälystä on oltava vähintään 15 m.



Älä koskaan työnnä käsiäsi tai jalkojasi ruohonleikkurin alla olevan terän lähelle. Ruohonleikkurin terät pyörivät moottorin sammuttamisen jälkeinkin.



Varoitus: Irrota akku ennen huoltotoimia.



Sähköiskuvaara. Kosketus veden kanssa voi johtaa sähköiskuun.



Älä kaada vettä tuotteen päälle.



Koskee vain EU-maita
Käytetyillä sähkö- ja elektroniikkalaitteilla, paristoilla ja akuilla voi olla negatiivisia ympäristö- ja terveysvaikutuksia niissä käytettyjen haitallisten osien takia.
Älä hävitä sähkö- ja elektroniikkalaitteita tai akkuja kolitalousjätteen mukana!
Vanhoja sähkö- ja elektroniikkalaitteita, paristoja ja akkuja koskevan EU-direktiivin ja sen perusteella laadittujen kansallisten lakien mukaan käytetyt sähkö- ja elektroniikkalaitteet, paristot ja akut on kierrätettävä toimittamalla ne erilliseen, ympäristönsuojelusäädösten mukaisesti toimivaan kierrätyspisteeseen.
Tämä on ilmaistu laitteessa olevalla ylivedetyn roska-astian symbolilla.



EU:n ulkona käytettävien laitteiden melupäästöjä koskevan direktiivin mukainen taattu äänitehotaso.



Australian Uuden Etelä-Walesin osavaltion melulasolainsäädännön mukainen äänitehotaso

Käyttötarkoitus

Kone on tarkoitettu ruohonleikkuuseen.

Melutaso

Tyypillinen A-painotettu melutaso määryyty standardin EN62841-4-3 mukaan:

Malli LM001G

Mitattu äänitehotaso (L_{WA}): 91 dB (A)

Taattu äänitehotaso (L_{WA}): 94 dB (A)

Äänenpainetaso (L_{pA}): 81 dB (A)

Äänenpainetaso epävarmuus (K): 3 dB (A)

Malli LM002G

Mitattu äänitehotaso (L_{WA}): 91 dB (A)

Taattu äänitehotaso (L_{WA}): 94 dB (A)

Äänenpainetaso (L_{pA}): 81 dB (A)

Äänenpainetaso epävarmuus (K): 3 dB (A)

HUOMAA: Ilmoitetut melutasoarvot on mitattu standarditestausten mukaisesti ja niiden avulla voidaan vertailla työkaluja keskenään.

HUOMAA: Ilmoitettuja melutasoarvoja voidaan käyttää myös altistumisen alustavaan arviointiin.

VAROITUS: Käytä kuulosuojaimia.

VAROITUS: Sähkötyökalun käytön aikana mitattu melutasoarvo voi poiketa ilmoitetuista arvoista laitteen käyttötavan ja erityisesti käsiteltävän työkappaleen mukaan.

VAROITUS: Selvitä käyttäjän suojaamiseksi tarvittavat varoimet todellisissa käyttöolosuhteissa tapahtuvan arvioidun altistumisen mukaisesti (ottaen huomioon käyttöjaksot kokonaisuudessaan, myös jaksot, joiden aikana laite on sammutettuna tai käy tyhjäkäynnillä).

Tärinä

Kokonaistärinä (kolmen akselin vektorien summa) määryyty standardin EN62841-4-3 mukaan:

Malli LM001G

Tärinäpäästö (a_{h1}): 2,5 m/s² tai alhaisempi
Virhemarginaali (K): 1,5 m/s²

Malli LM002G

Tärinäpäästö (a_{h1}): 2,5 m/s² tai alhaisempi
Virhemarginaali (K): 1,5 m/s²

HUOMAA: Ilmoitetut kokonaistärinäarvot on mitattu standarditestausten mukaisesti ja niiden avulla voidaan vertailla työkaluja keskenään.

HUOMAA: Ilmoitettuja kokonaistärinäarvoja voidaan käyttää myös altistumisen alustavaan arviointiin.

VAROITUS: Sähkötyökalun käytön aikana mitattu todellinen tärinäpäästöarvo voi poiketa ilmoitetuista arvoista laitteen käyttötavan ja erityisesti käsiteltävän työkappaleen mukaan.

VAROITUS: Selvitä käyttäjän suojaamiseksi tarvittavat varoimet todellisissa käyttöolosuhteissa tapahtuvan arvioidun altistumisen mukaisesti (ottaen huomioon käyttöjaksot kokonaisuudessaan, myös jaksot, joiden aikana laite on sammutettuna tai käy tyhjäkäynnillä).

EY-vaatimustenmukaisuusvakuutus

Koskee vain Euroopan maita

EY-vaatimustenmukaisuusvakuutus on liitetty tähän käyttöoppaaseen.

TURVAVAROITUKSET

Sähkötyökalujen käyttöä koskevat yleiset varoitukset

VAROITUS: Tutustu kaikkiin tämän sähkötyökalun mukana toimitettuihin varoituksiin, ohjeisiin, kuviin ja teknisiin tietoihin. Seuraavassa lueteltujen ohjeiden noudattamatta jättäminen saattaa johtaa sähköiskuun, tulipaloon tai vakavaan vammautumiseen.

Säilytä varoitukset ja ohjeet tulevaa käyttöä varten.

Varoituksissa käytettävällä termillä "sähkötyökalu" tarkoitetaan joko verkkovirtaa käyttävää (johdollista) työkalua tai akkukäyttöistä (johdotonta) työkalua.

Akkukäyttöisen ruohonleikkurin turvallisuusvaroitukset

1. Älä käytä ruohonleikkuria huonoissa sääolosuhteissa, varsinkin ukkosella salamaniskun vaaran takia. Näin voit pienentää salamaniskun riskiä.
2. Tarkista huolellisesti, ettei ruohonleikkurilla leikattavalla alueella ole eläimiä. Ruohonleikkuri voi vahingoittaa eläimiä.

3. Tarkista ruohonleikkurilla leikattava alue huolellisesti ja poista kaikki kivet, tikut, johdot, luut ja muut vierasesineet alueelta. Sinkoutuvat esineet voivat aiheuttaa henkilövahingon.
4. Tarkista ennen ruohonleikkurin käyttöä silmämääräisesti, että terä ja teräasetelma eivät ole kuluneet tai vaurioituneet. Kuluneet tai vaurioituneet osat lisäävät henkilövahinkojen vaaraa.
5. Tarkista säännöllisesti, ettei ruohonkerääjässä ole kulumia tai murtumia. Kulunut tai vaurioitunut ruohonkerääjä lisää henkilövahinkojen vaaraa.
6. Pidä kaikki suojat paikoillaan. Suojien on oltava kunnossa ja asennettuina oikein. Huonosti paikallaan oleva, vaurioitunut tai viallisesti toimiva suoja voi johtaa henkilövahinkoon.
7. Älä päästä roskia jäähdytysilma-aukkoihin. Tikkuetuneet ilma-aukot ja roskat voivat aiheuttaa ylikuumenemista ja tulipalon riskin.
8. Käytä ruohonleikkuria käyttäessäsi aina luis-tamattomia turvajalkineita. Älä käytä ruohonleikkuria paljain jaloin tai avosandaalit jalassa. Se vähentää jalkojen vahingoittumisvaaraa, jos ne ottavat kiinni liikkuvaan terään.
9. Käytä ruohonleikkuria käyttäessäsi aina pitkiä housuja. Paljas iho lisää sinkoutuvista esineistä johtuvaa vahingoittumisvaaraa.
10. Älä käytä ruohonleikkuria märällä nurmikolla. Kävele, älä koskaan juokse. Tämä vähentää liukastumisen ja kaatumisen vaaraa, jotka voivat johtaa henkilövahinkoon.
11. Älä käytä ruohonleikkuria erittäin jyrkissä rinteissä. Tämä vähentää hallinnan menettämisen, liukastumisen ja kaatumisen vaaraa, jotka voivat johtaa henkilövahinkoon.
12. Työkenneltäessä rinteissä säilytä hyvä tasapaino, kulje rinteiden poikki, ei koskaan ylös tai alas, ja ole erittäin varovainen vaihtaessasi suuntaa. Tämä vähentää hallinnan menettämisen, liukastumisen ja kaatumisen vaaraa, jotka voivat johtaa henkilövahinkoon.
13. Ole erityisen varovainen, kun peruutat ruohonleikkuria tai vedät sitä itseäsi kohti. Kiinnitä aina huomiota ympäristöön. Se vähentää käytön aikaista kompastumisriskiä.
14. Älä kosketa teriä ja muita vaarallisia liikkuvia osia, kun ne ovat vielä liikkeessä. Se vähentää liikkuvien osien aiheuttamien vammojen riskiä.
15. Kun poistat kiinni jäänyttä leikkuumateriaalia tai puhdistat ruohonleikkuria, varmista, että kaikki virtakytkimet ovat sammutettuja ja että akkupaketti kytketty irti. Ruohonleikkurin käynnistyminen vahingossa saattaa aiheuttaa vakavan henkilövahingon.

SÄILYTÄ NÄMÄ OHJEET.

VAROITUS: ÄLÄ anna työkalun helppokäyttöisyyden (toistuvan käytön aikaansaama) johtaa sinua väärään turvallisuuden tunteeseen niin, että laiminlyöt työkalun turvaohjeiden noudattamisen.

VÄÄRINKÄYTTÖ tai tässä käyttöohjeessa ilmoitettujen turvamääräysten laiminlyönti voi aiheuttaa vakavia henkilövahinkoja.

TÄRKEITÄ TURVAOHJEITA

VAROITUS: Lue huolellisesti kaikki turvallisuusvaroitukset ja käyttöohjeet. Jos varoitusten ja ohjeiden noudattaminen laiminlyödään, seurauksena voi olla sähköisku, tulipalo ja/tai vakava vammautuminen.

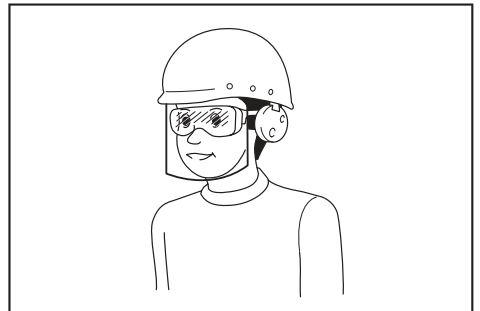
Säilytä varoitukset ja ohjeet tulevaa käyttöä varten.

Koulutus

1. Lue ohjeet huolellisesti. Perekdy ruohonleikkurin sääntiin ja asianmukaiseen käyttöön.
2. Älä anna lasten tai näihin ohjeisiin perehtymättömien henkilöiden käyttää ruohonleikkuria. Paikalliset määräykset voivat rajoittaa käyttäjän ikää.
3. Ruohonleikkuria ei saa koskaan käyttää, kun lähitöllä on muita henkilöitä, etenkin lapsia, tai lemmikkieläimiä.
4. Muista, että käyttäjä vastaa tapaturmista tai vahingoista, jotka hän aiheuttaa muille ihmisille tai heidän omaisuudelleen.
5. Lapsia tulee valvoa ja varmistaa etteivät he pääse leikkimään ruohonleikkurilla.
6. Fyysinen kunto - älä käytä ruohonleikkuria huumausaineiden, alkoholin tai lääkityksen alaisena.

Valmistelu

1. Käytä ruohonleikkuria käyttäessäsi aina tukevia jalkineita ja pitkiä housuja. Älä käytä ruohonleikkuria paljain jaloin tai avosandaalit jalassa. Älä käytä vaatteita tai koroja, jotka ovat väljiä tai joissa on irrallisia nauhoja tai ketjuja. Ne voivat tarttua laitteen liikkuviin osiin.
2. Tarkasta ennen käyttöä silmämääräisesti, ettei ruohonleikkurissa näy merkkejä vaurioista ja ettei siitä puutu suojuksia tai kilpiä tai ettei niitä ole asennettu väärin.
3. Varmista ennen ruohonleikkurin aloittamista, ettei alueella ole muita ihmisiä. Lopeta ruohonleikkurin käyttö, jos työskentelyalueelle tulee muita.
4. Käytä aina suojalaseja silmiesi suojaamiseksi tapaturmia vastaan sähkökäyttöisten laitteiden käytön aikana. Suojuksien täytyy noudattaa ANSI Z87.1 Yhdysvalloissa, EN 166 Euroopassa tai AS/NZS 1336 Australiassa / Uudessa Seelannissa olevia vaatimuksia. Australiassa / Uudessa Seelannissa on lainmukaisesti pakollista käyttää kasvosuojaimia myös kasvojen suojaamiseksi.



Työnantajien velvollisuuksiin kuuluu varmistaa, että laitteen käyttäjät ja työpaikan välittömässä läheisyydessä olevat muut sivulliset henkilöt käyttävät asianmukaisia henkilönsuojaimia.

5. Tarkista ennen työskentelyn aloittamista, ettei terissä tai terien pulteissa ole halkeamia tai muita vikoja. Vaihda halkeilleet tai muuten vahingoittuneet terät tai terien pultit heti uusiin.
 6. Poista työskentelyalueelta vieraat esineet, kuten kivet, langat ja köydet, pullot, luut ja suuret kepit, välttääksesi henkilövahingot tai ruohonleikkurin vahingot.
 7. Ruohonleikkurin terien sinkoamat esineet voivat aiheuttaa vakavia henkilövahinkoja. Ennen jokaista leikkuukertaa nurmikko on tutkittava huolellisesti ja ylimääräiset esineet on poistettava alueelta.
 8. Varo koloja, vakoja, töyssyjä, kiviä ja muita näkymättömissä olevia esineitä. Epätasainen maasto lisää liukastumisesta ja kaatumisesta johtuvien tapaturmien riskiä. Pitkä nurmi voi peittää esteet näkyvistä.
 9. Käytä henkilönsuojaimia. Käytä aina suoja-laseja. Suojavarusteiden, esimerkiksi hengityssuojaimen, pitävien turvakien, suojakypärän tai kuulosuojaimien, asianmukainen käyttö vähentää loukkaantumisia.
- Käyttö**
1. Älä ylikurkottele. Säilytä tasapainosi koko työskentelyn ajan. Varmista aina tukeva jalkasija rinteessä työskenneltäessä. Kävele, älä koskaan juokse.
 2. Pysäytä ja sammuta ruohonleikkuri ja varmista, että kaikki liikkuvat osat ovat täysin pysähtyneet:
 - aina poistuessasi ruohonleikkurin luota,
 - ennen tukkeumien selvittämistä tai kourun puhdistamista,
 - ennen ruohonleikkurin tarkastamista, puhdistamista tai kunnossapitoa,
 - laitteen osuttua vieraaseen esineeseen.
 Tarkasta ruohonleikkuri vaurioiden varalta ja korjaa mahdolliset viat, ennen kuin käynnistät sen uudelleen,
 - aina, kun ruohonleikkuri alkaa täristä epänormaalisti.
 3. Älä koskaan käytä ruohonleikkuria, jos suojukset tai kilvet ovat vioittuneet tai turvalaitteet, esimerkiksi kivisuoijat ja/tai ruohosäiliö, eivät ole paikallaan.
 4. Vältä käyttämästä ruohonleikkuria huonoissa sääolosuhteissa, varsinkin ukkosella salamansiskun vaaran takia.
 5. Käytä ruohonleikkuria käyttäessäsi aina suoja-laseja ja kestäviä jalkineita.
 6. Käytä ruohonleikkuria vain päivänvalossa tai kirkaassa keinovalossa.
 7. Käynnistä moottori varovaisuutta noudattaen ja ohjeiden mukaisesti ja pidä jalkasi poissa terän (terien) ulottuvilta.
 8. Varo, etteivät ruohonleikkurin terät vahingoita jalkojasi tai käsiäsi.
 9. Varmista aina, että ilmanvaihtoaukot ovat puhtaana liasta ja pölystä.
 10. Leikkaa nurmikko rinteessä aina poikittais-suuntaan, älä koskaan ylös ja alas. Ole erityisen varovainen vaihtaessasi suuntaa rinteissä. Älä leikkaa nurmikkoa liian jyrkissä rinteissä.
 11. Ole erityisen varovainen, kun peruutat ruohonleikkuria tai vedät sitä itseäsi kohti.
 12. Pysäytä terä, jos ruohonleikkuria on tarpeen kallistaa ruohottomia alueita ylittettäessä, sekä silloin, kun siirrä sitä leikattavalle nurmi-alueelle ja takaisin.
 13. Älä kallista ruohonleikkuria moottorin käynnistyksen aikana, ellei se ole käynnistyksen kannalta välttämätöntä. Jos kallistaminen on välttämätöntä, kallista laitetta mahdollisimman vähän ja kohota vain käyttäjään nähden kauimpana olevaa puolta. Varmista aina, että molemmat kätesi ovat käyttöasennossa, ennen kuin lasket ruohonleikkurin maahan.
 14. Älä aseta käsiäsi tai jalkojasi pyörivien osien alle tai lähelle. Pidä poistoaukko aina esteettömänä jämistä.
 15. Älä kuljeta ruohonleikkuria sen ollessa käynnissä.
 16. Vältä ruohonleikkurin käyttämistä märällä nurmikolla.
 17. Pidä aina tukevasti kiinni kahvasta.
 18. Älä tartu leikkuuteriin tai leikkaaviin reunoihin, kun nostat tai kannattelet ruohonleikkuria.
 19. Pidä jalkasi ja kätesi kaukana pyörivistä teristä. Varoitus - terät pyörivät vielä sen jälkeen kun leikkuri on kytketty pois päältä.
 20. Lopeta käyttö heti, jos havaitset jotakin epätavallista. Kytke ruohonleikkuri pois päältä. Tarkasta sitten ruohonleikkuri.
 21. Jos ruohonleikkurissa on leikkuukorkeuden säätömahdollisuus, älä koskaan yritä säätää leikkuukorkeutta, kun ruohonleikkuri on käynnissä.
 22. Vapauta kytkinvipu ja anna terien pysähtyä ennen ajo- ja kävelyreittien, yleisten teiden ja sorapintaisten alueiden ylittämistä. Sammuta kone myös, jos poistut ruohonleikkurin luota, kurotut nostamaan jotakin tai ottamaan jotakin pois tieltä tai teet muuta, joka voi jostain syystä siirtää huomiosi pois laitteen käytöstä.
 23. Jos ruohonleikkuri osuu vieraaseen esineeseen, toimi seuraavasti:
 - Pysäytä ruohonleikkuri, vapauta kytkinvipu ja odota, että terä pysähtyy täysin.
 - Irrota akkupaketti.
 - Tarkista ruohonleikkuri huolellisesti vaurioiden varalta.
 - Vaihda terä, jos se on jotenkin vaurioitunut.
 Korjaa mahdolliset vahingot ennen ruohonleikkurin uudelleen käynnistämistä ja toiminnan jatkamista.
 24. Älä käynnistä ruohonleikkuria seisossasi poistoaukon edessä.
 25. Jos ruohonleikkuri alkaa täristä epänormaalisti (tutki syy heti)
 - Tarkasta vauriot,
 - Vaihda tai korjaa vaurioituneet osat,
 - Tarkasta ja kiristä löystyneet osat.
 26. Älä koskaan suuntaa ulos lentävää materiaalia ihmisiä kohti. Vältä ulos lentävän materiaalin suuntaamista seinää tai muuta estettä kohti. Materiaali voi tällöin kimmota takaisin käyttäjää kohti. Pysäytä terä, kun ylität sorapintoja.

27. Älä vedä ruohonleikkuria taaksepäin ellei se ole täysin välttämätöntä. Jos ruohonleikkuria on vedettävä taaksepäin aidan tai muun vastaavan esteen ohittamiseksi, katso taaksesi ja alas ennen kuin aloitat liikkua taaksepäin.
28. Sammuta moottori ja odota, että terä pysähtyy täysin, ennen kuin irrotat ruohonkerääjän. Pidä mielessä, että terät pyörivät hetken vapaasti sammuttamisen jälkeen.
29. Kun käytät laitetta mutaisessa maastossa, määrässä rinteessä tai liukkaassa paikassa, kiinnitä erityistä huomiota hyvän tasapainon säilyttämiseen.
30. Älä upota laitetta lammikkoihin.
31. Kun käytät konetta, kiinnitä huomiota putkien ja johtojen sijaintiin.

Kunnossapito ja säilytys

1. Vaihda kuluneet tai vioittuneet osat turvallisuusyistä. Käytä vain aitoja varaosia ja tarvikkeita.
2. Tarkasta ja huolla ruohonleikkuri säännöllisesti.
3. Kun et käytä ruohonleikkuria, säilytä se lasten ulottumattomissa.
4. Varmista laitteen käyttöturvallinen kunto tarkistamalla, että kaikki mutterit, pultit ja ruuvit ovat tiukasti kiinni.
5. Tarkista säännöllisesti, ettei ruohosäiliössä ole kulumia tai murtumia. Tarkista ennen laitteen asettamista säilöön, että ruohosäiliö on tyhjä. Kulunut ruohosäiliö on turvallisuusyistä korvattava tehdasuudella.
6. Käytä vain valmistajan tässä ohjeessa ilmoittamia teriä.
7. Varo laitteen säätämisen aikana, etteivät sormesi jää pyörivien terien ja ruohonleikkurin kiinteiden osien väliin.
8. Tarkista säännöllisesti, että terän kiinnityspultit ovat riittävän kireällä.
9. Anna ruohonleikkurin jäähtyä, ennen kuin siirrä sen varastoon.
10. Kun huollat teriä, muista, että vaikka virta on katkaistu, terät voivat silti liikkua.
11. Älä koskaan poista tai peukaloi turvalaitteita. Tarkista säännöllisesti, että ne toimivat oikein. Älä koskaan yritä vaikuttaa turvalaitteiden tarkoituksenmukaiseen toimintaan tai heikentää turvalaitteen toimivuutta.
12. Älä jätä laitetta ulos sateeseen ja valvomatta.
13. Kun varastoit laitteen, vältä sijoittamasta sitä paikkaan, jossa se altistuu suoralle auringonpaisteelle, sateelle, kuumuudelle tai kosteudelle.

Akkukäyttöisen työkalun käyttö ja hoito

1. Lataa akkua vain valmistajan määrittämällä laturilla. Tietyille akkupaketille sopiva laturi voi aiheuttaa tulipalovaaran, jos sitä käytetään muuntyyppisen akkupaketin yhteydessä.
2. Käytä sähkötyökaluja vain määritysten mukaisten akkujen kanssa. Muuntyyppisten akkujen käyttäminen voi aiheuttaa loukkaantumista tulipalovaaran.

3. Kun akku ei ole käytössä, säilytä se erillään metalliesineistä, kuten paperiliittimistä, kolikoista, avaimista, nautoista, ruuveista ja muista pienistä metalliesineistä, jotka voivat yhdistää akun navat. Akun napojen oikosulkeminen voi aiheuttaa palovamman tai tulipalon.
4. Akusta voi vuotaa nestettä, jos sitä käsitellään väärin. Vältä kosketusta. Jos nestettä pääsee iholle vahingossa, huuhtele iho vedellä. Jos nestettä pääsee silmiin, hakeudu lääkäriin hoitoon. Ulos purkautunut akkuneeste voi ärsyttää ihoa tai aiheuttaa palovammoja.
5. Älä käytä viallista tai muunneltua akkua tai työkalua. Vialliset tai muunnellut akut voivat toimia odottamattomasti aiheuttamalla tulipalo-, räjähdys- tai tapaturmavaaran.
6. Älä altista akkua tai työkalua tulelle tai äärimmäisille lämpötiloille. Altistus tullelle tai yli 130 °C lämpötiloille voi aiheuttaa räjähdyksen.
7. Noudata kaikkia latausohjeita, äläkä lataa akkua tai työkalua ohjeissa määritettyjen lämpötilarajojen ulkopuolella. Väärin tai ohjeissa määritettyjen lämpötilarajojen ulkopuolella suoritettu lataus voi aiheuttaa akkuvaurion ja kasvattaa tapaturmavaaraa.

Sähköturvallisuus ja akku

1. Älä hävitä akkuja polttamalla. Akkukenko voi räjähtää. Tarkista, onko paikallisissa määräyksissä erityisiä laitteita koskevia hävitysohjeita.
2. Älä avaa tai riko akkuja. Akusta mahdollisesti vuotava elektrolyytti on syövyttävää ja saattaa vaurioittaa ihoa tai silmiä. Se saattaa olla myrkyllistä nieltynä.
3. Älä lataa akkua sateessa tai kosteissa olosuhteissa.
4. Älä lataa akkua ulkona.
5. Älä käsittele laturia tai sen liittinosaa ja latausliittimiä märin käsin.
6. Älä vaihda akkua sateessa.
7. Älä kastele akun liittimiä nesteellä, kuten vedellä, äläkä upota akkua nesteeseen. Älä jätä akkua sateeseen, äläkä lataa tai käytä akkua kosteassa tai märässä paikassa tai varastoi sitä tällaiseen paikkaan. Jos liitin kastuu tai akun sisälle pääsee nestettä, akku voi mennä oikosulkuun, mikä aiheuttaa ylikuumentumisen, tulipalon tai räjähdyksen vaaran.
8. Kun akku on poistettu laitteesta tai laturista, kiinnitä akun suojakansi akkuun ja varastoi se kuivaan paikkaan.
9. Älä vaihda akkua märin käsin.
10. Vältä vaarallisia ympäristöjä. Älä käytä konetta kosteissa tai märissä paikoissa äläkä altista sitä sateelle. Koneen sisään päässyt vesi lisää sähköiskun vaaraa.
11. Jos akkupaketti kastuu, valuta vesi pois sen sisältä ja kuivaa se sitten kuivalla kankaalla. Kuivaa akkupaketti kokonaan kuivassa paikassa ennen käyttöä.

Huolto

1. Anna pätevän korjaajan huoltaa sähkötyökalusi käyttäen vain identtisiä varaosia. Näin varmistetaan, että sähkötyökalun turvallisuus säilyy.

2. Älä koskaan huolla viallisia akkuja. Akkujen huolto on suoritettava ainoastaan valmistajan tai valtuutetun huoltoliikkeen toimesta.

SÄILYTÄ NÄMÄ OHJEET.

VAROITUS: ÄLÄ anna työkalun helppokäyttöisyyden (toistuvan käytön aikaansaama) johtaa sinua väärään turvallisuudun tunteeseen niin, että laiminlyöt työkalun turvaohjeiden noudattamisen.

VÄÄRINKÄYTTÖ tai tässä käyttöohjeessa ilmoitettujen turvamääräysten laiminlyönti voi aiheuttaa vakavia henkilövahinkoja.

Akkupakettia koskevia tärkeitä turvaohjeita

- Ennen akun käyttöönottoa tutustu kaikkiin laturissa (1), akussa (2) ja akkukäyttöisessä tuotteessa (3) oleviin varoitusteksteihin.
- Älä pura tai peukaloi imuria akkupakettia. Se voi johtaa tulipaloon, ylikuumentumiseen tai räjähdykseen.
- Jos akun toiminta-aika lyhenee merkittävästi, lopeta akun käyttö. Seurauksena voi olla ylikuumentuminen, palovammoja tai jopa räjähdys.
- Jos akkunestettä pääsee silmiin, huuhtele puhtaalla vedellä ja hakeudu välittömästi lääkärin hoitoon. Akkuneste voi aiheuttaa näön menetyksen.
- Älä oikosulje akkua.
 - Älä koske akun napoihin millään sähköä johtavalla materiaalilla.
 - Vältä akun oikosulkemista äläkä säilytä akkua yhdessä muiden metalliesineiden, kuten naulojen, kolikoiden ja niin edelleen kanssa.
 - Älä aseta akkua alttiiksi vedelle tai sateelle.

Oikosulku voi aiheuttaa virtapiikin, ylikuumentumista, palovammoja tai laitteen rikkoontumisen.

- Älä säilytä ja käytä työkalua ja akkupakettia paikassa, jossa lämpötila voi nousta 50 °C:een (122 °F) tai korkeammaksi.
- Älä hävitä akkua polttamalla, vaikka se olisi pahoin vaurioitunut tai täysin loppuun kulunut. Avotuli voi aiheuttaa akun räjähtämisen.
- Älä naulaa, leikkaa, purista, heitä tai pudota akkupakettia tai iske sitä kovia esineitä vasten. Tällaiset toimet voivat johtaa tulipaloon, ylikuumentumiseen tai räjähdykseen.
- Älä käytä viallista akkua.
- Sisältyviä litium-ioni-akkuja koskevat vaarallisten aineiden läinsäädännön vaatimukset. Esimerkiksi kolmansien osapuolten huolintaliikkeiden tulee kaupallisissa kuljetuksissa noudattaa pakkaamista ja merkintöjä koskevia erityisvaatimuksia. Lähetettävän tuotteen valmistelu edellyttää vaarallisten aineiden asiantuntijan neuvontaa. Huomioi myös mahdollisesti yksityiskohtaisemmat kansalliset määräykset.
Akun avoimet liittimet tulee suojata teipillä tai suojuksella ja pakkaaminen tulee tehdä niin, ettei akku voi liikkua pakkauksessa.

- Kun akkupaketti on hävitettävä, poista se laitteesta ja hävitä se turvallisesti. Hävitä akku paikallisten määräysten mukaisesti.
- Käytä akkua vain Makitan ilmoittamien tuotteiden kanssa. Akkujen asentaminen yhteensopimattomiin tuotteisiin voi aiheuttaa tulipalon, liiallisen ylikuumentumisen, räjähdyksen tai akkunestevuotoja.
- Jos laitetta ei käytetä pitkään aikaan, akku on poistettava laitteesta.
- Akkupaketin lämpötila voi käytön aikana ja sen jälkeen nousta niin kuumaksi, että se voi aiheuttaa palovammoja tai lieviä palovammoja. Käsittele kuumia akkupaketteja huolellisesti.
- Älä kosketa työkalun liittintä välittömästi käytön jälkeen, sillä se voi olla riittävän kuuma aiheuttamaan palovammoja.
- Älä päästä lastuja, pölyä tai maata akkupaketin liittimiin, aukkoihin ja uriin. Se voi johtaa työkalun tai akkupaketin lämpenemiseen, syttymiseen, purkautumiseen tai toimintahäiriöön, mikä voi aiheuttaa palovammoja tai vammoja.
- Ellei työkalu tue käyttöä korkeajännitelinjojen lähellä, älä käytä akkupakettia korkeajännitelinjojen lähellä. Se voi johtaa työkalun tai akkupaketin toimintahäiriöön tai rikkoutumiseen.
- Pidä akku pois lasten ulottuvilta.

SÄILYTÄ NÄMÄ OHJEET.

HUOMIO: Käytä vain alkuperäisiä Makita-akkuja. Muiden kuin aitojen Makita-akkujen, tai mahdollisesti muutettujen akkujen käyttö voi johtaa akun murtumiseen ja aiheuttaa tulipaloja, henkilö- ja omaisuusvahinkoja. Se mitätöi myös Makita-tökalun ja -laturin Makita-takuun.

Vihjeitä akun käyttöiän pidentämiseksi

- Lataa akku ennen kuin se purkautuu täysin. Lopeta aina työkalun käyttö ja lataa akku, jos huomaa työkalun tehon vähenevän.
- Älä koskaan lataa uudestaan täysin ladattua akkua. Ylilataaminen lyhentää akun käyttöikä.
- Lataa akku huoneen lämpötilassa välillä 10 °C - 40 °C. Anna kuumen akkun jäähtyä ennen lataamista.
- Irrota akkupaketti työkalusta tai laturista, kun sitä ei käytetä.
- Lataa akkupaketti, jos et käytä sitä pitkään aikaan (yli kuusi kuukautta).

KOKOONPANO

VAROITUS: Varmista aina, että kaikki akkupaketit on poistettu, ennen kuin teet koneelle mitään. Ellei kaikkia akkupaketteja ole poistettu, tahaton käynnistyminen voi aiheuttaa vakavan vamman.

VAROITUS: Älä koskaan käynnistä ruohonleikkuria, jos sen kaikkia osia ei ole täysin asennettu. Jos kaikki osat eivät ole paikallaan, kone voi käynnistyä tahattomasti ja aiheuttaa vakavia vammoja.

Kahvan asentaminen

HUOMAUTUS: Kun asennat kahvoja, varo jättämästä virtajohtoa kahvojen väliin. Jos virtajohto on vahingoittunut, leikkurin kytkin ei ehkä toimi.

1. Kohdista kahvan alaosan reikä kahvan yläosan reikään, työnnä pultti paikalleen ulkokautta ja kiristä sitten siipimutteri sisäkautta. Tee sama toisella puolella.
► **Kuva1:** 1. Pultti 2. Siipimutteri 3. Kahvan alaosa 4. Kahvan yläosa

2. Kierrä nuppia 90° vetämällä samalla kahvan alaosan nuppia lukitustapin vapauttamiseksi. Tee sama toisella puolella. Nosta kahvaa ja kierrä sitten kummankin puolen nuppia 90°. Varmista, että nupit ovat lujasti kiinni.
► **Kuva2:** 1. Nuppi

HUOMAA: Kun kahvaa tuetaan, lukitusnastan irrottaminen nuppia vedettäessä on helpompaa.

HUOMAA: Kun kierrät nuppia, varo, ettei johto tartu siihen.

► **Kuva3:** 1. Nuppi

Levitysosan irrottaminen

1. Avaa takakansi.
► **Kuva4:** 1. Takakansi

2. Nosta levitysosa hieman ja irrota se.
► **Kuva5:** 1. Levitysosa

Ruohosäiliön kokoaminen

1. Nosta ruohosäiliön yläkiinnitin ylös.
► **Kuva6:** 1. Yläkiinnitin

2. Pidä kiinni rungon kahvasta ja työnnä runko niin syvälle ruohosäiliöön kuin se menee.
► **Kuva7:** 1. Kahva

HUOMAUTUS: Älä työnnä kahvaa ruohosäiliöön. Varmista, että runko asettuu ruohosäiliön tikkauksiin.

3. Varmista, etteivät ruohosäiliön kulmat riipu.
► **Kuva8**

4. Avaa yläkiinnitin ja kiinnitä se runkoon.
► **Kuva9**

5. Kiinnitä kaikki muut kiinnittimet runkoon kuvan mukaisesti. Varmista, että kaikki kiinnittimet ovat pitävästi kiinni rungossa.
► **Kuva10:** 1. Kiinnitin

Ruohosäiliön asentaminen ja irrottaminen

Ruohosäiliö asennetaan seuraavien ohjeiden mukaisesti.

1. Avaa takakansi.
► **Kuva11:** 1. Takakansi

2. Ota kiinni ruohosäiliön kahvasta ja ripusta ruohosäiliö sitten ruohonleikkurin rungossa olevaan tankoon kuvan mukaisesti.
► **Kuva12:** 1. Ruohosäiliö 2. Kahva 3. Tanko

Irrota ruohosäiliö avaamalla takakansi, tarttumalla ruohosäiliön kahvaan ja vetämällä ruohosäiliö irti.

Levitysosan kiinnittäminen

1. Avaa takakansi ja irrota ruohosäiliö.
► **Kuva13:** 1. Takakansi 2. Ruohosäiliö

2. Kiinnitä levitysosa työntämällä sitä niin pitkälle kuin se menee. Levitysosan ulokkeiden pitää asettua koneen reikiin.
► **Kuva14:** 1. Levitysosa 2. Uloke

Poistokourun asennus ja irrotus

Asenna poistokouru seuraavien ohjeiden mukaisesti.

1. Avaa takakansi ja irrota sitten ruohosäiliö ja levitysosa.
2. Aseta poistokourun reiät ruohonleikkurin rungon ulokkeisiin kuvan mukaisesti.
► **Kuva15:** 1. Poistokouru 2. Uloke

Kun haluat irrottaa poistokourun, avaa takakansi ja irrota sitten poistokouru.

TOIMINTOJEN KUVAUS

Akun asentaminen tai irrottaminen

⚠HUOMIO: Sammuta kone aina ennen akun kiinnittämistä tai irrottamista.

⚠HUOMIO: Pidä koneesta ja akkupaketista tiukasti kiinni, kun irrotat tai kiinnität akkupakettia. Jos kone tai akkupaketti putoaa käsistäsi, ne voivat vaurioitua tai aiheuttaa henkilövamman.

⚠HUOMIO: Varmista ennen käyttöä, että akun suojus on lukittu. Muuten muta, hiekka tai vesi voisi vaurioittaa tuotetta tai akkua.

⚠HUOMIO: Työnnä akkupaketti aina pohjaan asti, niin että punainen ilmaisin ei enää näy. Jos akku ei ole kunnolla paikallaan, se voi pudota koneesta ja aiheuttaa vammoja joko sinulle tai sivullisille.

⚠HUOMIO: Älä käytä voimaa akun asennuksessa. Jos akku ei liu'u paikalleen helposti, se on väärässä asennossa.

⚠HUOMIO: Pidä akun suojakannesta tiukasti kiinni, kun asennat tai irrotat akkupakettia.

Akun kiinnittäminen paikalleen;

1. Vedä lukitusvipu ylös ja avaa sitten akun suojakansi.
► **Kuva16:** 1. Akun suojus 2. Lukitusvipu

2. Kohdista akkupaketin kieleke koneen rakoön ja liu'uta sitten akkupakettia, kunnes se lukittuu paikalleen nakshtaen.

► **Kuva17:** 1. Akkupaketti

3. Sulje akun kansi ja työnnä sitä, kunnes se lukittuu lukitusvivulla.

Akkupaketin irrottaminen;

1. Vedä lukitusvipu ylös ja avaa akun suojus.

2. Vedä akkupaketti ulos koneesta painamalla samalla akkupaketin etupuolella olevaa painiketta.

3. Sulje akun suojus.

Koneen/akun suojausjärjestelmä

Kone on varustettu koneen/akun suojausjärjestelmällä. Tämä järjestelmä pidentää koneen ja akun käyttöikää katkaisemalla automaattisesti moottorin virran. Kone pysähtyy automaattisesti kesken käytön, jos siinä tai akussa ilmenee jokin seuraavista tilanteista:

Ylikuormitusuoja

Kun akkuä käytetään tavalla, joka saa sen kuluttamaan epätavallisen suuren määrän virtaa, kone pysähtyy automaattisesti ja päävirran merkkivalo vilkkuu vihreänä. Katkaise tässä tilanteessa koneesta virta ja lopeta ylikuormitustilan aiheuttanut käyttö. Käynnistä sitten kone uudelleen kytkemällä siihen virta.

Ylikuumenemissuoja

Koneen ylikuumentuessa se pysähtyy automaattisesti ja päävirran merkkivalo syttyy punaisena. Anna tällöin koneen ja akkujen jäähtyä, ennen kuin kytket virran uudelleen päälle.

HUOMAA: Jos akku on kuumentunut liikaa, päävirran merkkivalo vilkkuu punaisena.

Ylipurkautumissuoja

Jos akkukapasiteetti ei riitä, kone pysähtyy automaattisesti ja päävirran merkkivalo alkaa vilkkua punaisena. Irrota tällöin akku koneesta ja lataa akkupaketit tai vaihda akkupaketit täyteen ladattuihin.

Suojaus muilta haitallisilta tapahtumilta

Suojausjärjestelmä on suunniteltu suojaamaan muilta-kin tapahtumilta, jotka voisivat vahingoittaa konetta, ja pysäyttämään kone automaattisesti tällaisissa tapauksissa. Kun kone tai sen toiminta on pysähtynyt tilapäisesti tai se on pysähtynyt, poista pysäytyksen syyt seuraavien vaiheiden mukaisesti.

1. Käynnistä kone uudelleen sammuttamalla se ja kytkemällä se sitten uudelleen päälle.
2. Lataa akut tai vaihda ne ladattuihin akkuihin.
3. Anna koneen ja akkujen jäähtyä.

Jos suojausjärjestelmän nollaaminen ei korjaa tilannetta, ota yhteys paikalliseen Makita-huoltoon.

HUOMAUTUS: Jos kone pysähtyy jostakin muusta syystä kuin yllä ilmoitetuista, katso vianmääritysohjeita.

Akun jäljellä olevan varaustason ilmaisin

► **Kuva18:** 1. Akun ilmaisin

Kun akkukapasiteetti käy vähiin, vastaavan akun puoleinen merkkivalo alkaa vilkkua. Jos käyttöä jatketaan, kone pysähtyy ja akun merkkivalo syttyy. Lataa tässä tilanteessa akkupaketti.











HUOMAA: Jos on asennettu kaksi akkupakettia, vasemmalle puolelle asennettua akkuä käytetään ensin.

HUOMAA: Jos on asennettu kaksi akkupakettia, kone vaihtaa automaattisesti akkuä, kun käytössä oleva akku tyhjenee.

Akun jäljellä olevan varaustason ilmaisin

Painamalla tarkistuspainiketta saat näkyviin akun jäljellä olevan varausten. Merkkivalot palavat muutaman sekunnin ajan.

► **Kuva19:** 1. Merkkivalot 2. Tarkistuspainike

Merkkivalot			Akussa jäljellä olevan varaus
 Palaa	 Pois päältä	 Vilkkuu	
			75% - 100%
			50% - 75%
			25% - 50%
			0% - 25%
			Lataa akku.
			Akussa on saattanut olla toimintahäiriö.
			

HUOMAA: Ilmoitettu varaustaso voi erota hieman todellisesta varaustasosta sen mukaan, millaisissa oloissa ja missä lämpötilassa laitetta käytetään.

HUOMAA: Ensimmäinen (vasemmanpuoleisin) merkkivalo vilkkuu, kun akun suojausjärjestelmä on toiminnassa.

Ohjauspaneeli

Ohjauspaneelissa on päävirtakytkin ja tilanvaihtopainike.

► **Kuva20:** 1. Pehmeän kuormittamattoman tilan merkkivalo 2. Äänenvähennystilan merkkivalo 3. Tilanvaihtopainike 4. Päävirran merkkivalo 5. Päävirtakytkin

Päävirtakytkin

VAROITUS: Kytke aina päävirtakytkin pois päältä, kun työalua ei käytetä.

Kun haluat kytkeä laitteen päälle, paina päävirtakytkintä. Päävirran merkkivalo alkaa palaa vihreänä. Kun haluat sammuttaa laitteen, paina päävirtakytkintä uudelleen.

HUOMAA: Jos päävirran merkkivalo palaa punaisena tai vilkkuu punaisena tai vihreänä, lue koneen/akun suojausjärjestelmää koskevat ohjeet.

HUOMAA: Tämä kone sisältää automaattisen sammutustoiminnon. Tahattoman käynnistyksen välttämiseksi päävirtakytkin sammuu automaattisesti, kun kytkinvipu ja ajovipu (jos se on asennettuna) on ollut käyttämättä määrätyn aikaa päävirtakytkimen ollessa kytkettynä päälle.

Tilanvaihtopainike

Tilanvaihtopainiketta painamalla voi vaihtaa toimintatilaa. Kun kone kytketään päälle, se käynnistyy normaaliutilassa.

Katso lisätietoja jokaisesta tilasta alla olevasta taulukosta.

Tila	Merkkivalo	Kuvaus
Normaali tila	Sekä pehmeän kuormittamattoman tilan merkkivalo että äänenvähennystilan merkkivalo ovat pois päältä.	Kone toimii normaalissa tilassa.
Pehmeä kuormittamaton tila	Pehmeän kuormittamattoman tilan merkkivalo palaa vihreänä.	Voit minimoida käynnistysiskun ja käynnistää koneen pehmeästi.
Äänenvähennystila	Äänenvähennystilan merkkivalo palaa vihreänä.	Voit vähentää melua ruohonleikkausajan aikana.

Kytkimen käyttäminen

VAROITUS: Tarkista aina ennen akkupaketin asentamista paikalleen, että kytkinvipu kytketty oikein ja palaa alkuperäiseen asentoonsa, kun se vapautetaan. Jos konetta käytetään, kun kytkin ei toimi moitteettomasti, seurauksena voi olla hallinnan menetys ja vakava henkilövahinko.

HUOMAA: Ruohonleikkuri ei käynnisty painamatta katkaisinpainiketta, vaikka kytkinvipua vedetään.

HUOMAA: Ruohonleikkuri ei ehkä käynnisty ylikuormituksen vuoksi, kun yrität leikata pitkää tai tiheää ruohoa liiallisesti. Lisää tässä tapauksessa leikkuukorkeutta.

Tässä koneessa on kytkinpainike. Jos kytkinpainikkeen toiminnassa ilmenee jotakin epätavallista, lopeta käyttö heti ja pyydä valtuutettua Makita-huoltoliikettä tarkistamaan se.

1. Asenna akkupaketit ja sulje sitten akun suojakansi.
2. Paina päävirtakytkintä.

HUOMAA: Päävirran merkkivalo vilkkuu vihreänä, jos painat päävirtakytkintä samalla, kun vedät kytkinvipua. Vapauta kytkinvipu ennen päävirtakytkimen painamista.

3. Vedä kytkinvipua itseäsi kohti pitämällä samalla kytkinpainiketta painettuna. Vapauta kytkinpainike, kun moottori alkaa käydä.
► **Kuva21:** 1. Kytkepainike 2. Kytkevipu
4. Kun pidät kytkinvipua painettuna ja painat ajovipua eteenpäin, takapyörät pyörivät.
► **Kuva22:** 1. Ajovipu

HUOMAA: Takapyörät pyörivät, kun painat ajovipua eteenpäin ja pidät sitä vetämättä kytkinvipua.

5. Pysäytä kone vapauttamalla ajovipu ja kytkinvipu.

Leikkuusyvyyden säätäminen

VAROITUS: Älä koskaan työnnä jalkojasi tai käsiäsi ruohonleikkurin rungon alle leikkuukorkeuden säädön aikana.

VAROITUS: Varmista aina ennen käyttöä, että vipu sopii uraan.

Leikkuukorkeuden säätöalue on 20 mm – 100 mm.

Sammuta kone, vedä leikkuukorkeuden säätövipua ulospäin ruohonleikkurin rungosta ja siirrä se haluamasi leikkuukorkeuden kohdalle.

► **Kuva23:** 1. Leikkuukorkeuden säätövipu

Seuraavassa taulukossa on ilmoitettu ruohonleikkurin rungossa olevaa numeroa vastaava leikkuukorkeus.

Numero	Leikkuukorkeus
1	20 mm
2	26 mm
3	32 mm
4	39 mm
5	47 mm
6	55 mm
7	63 mm
8	74 mm
9	86 mm
10	100 mm

Pidä alakavasta kiinni toisella kädellä ja liikuta sitten leikkuukorkeuden säätövipua toisella kädellä.

► **Kuva24:** 1. Leikkuukorkeuden säätövipu 2. Kahvan alaosa

HUOMAA: Leikkuukorkeuden arvoja tulee käyttää vain ohjeellisesti. Riippuen nurmikon tai maanpinnan kunnosta, todellinen nurmikon korkeus saattaa olla hieman erilainen kuin asetettu korkeus.

HUOMAA: Kokeile leikkuukorkeutta ensin nurmikon syrjäisemmässä osassa.

Ruohomäärän ilmaisim

Ruohomäärän ilmaisim näyttää leikatun ruohon määrän. Kun ruohosäiliö ei ole täynnä, ilmaisim liikkuu terien pyöriessä.

► **Kuva25:** 1. Ruohomäärän ilmaisim

Kun ruohosäiliö on lähes täynnä, ilmaisim ei liiku terien pyöriessä. Lopeta tällöin leikkaaminen heti ja tyhjennä säiliö.

► **Kuva26:** 1. Ruohomäärän ilmaisim

HUOMAA: Tämä ilmaisim on vain karkea ohje. Säiliön sisäisen tilanteen mukaan ilmaisim ei ehkä toimi oikein kaikissa tilanteissa.

Kahvakorkeuden säätäminen

Kahvan korkeutta voidaan säätää kahdella tasolla.

1. Pidä kiinni kahvan alaosasta ja kierrä sitten nuppia 90° vetämällä samalla kahvan alaosan nuppia lukitustas-
pin vapauttamiseksi. Tee sama toisella puolella.

► **Kuva27:** 1. Kahvan alaosa 2. Nuppi

HUOMAA: Kun kahvaa tuetaan, lukitusnastan irrotta-
minen nuppia vedettäessä on helpompaa.

2. Säädä kahvakorkeus ja kierrä sitten kummankin
puolen nuppia 90°. Varmista, että nupit ovat lujasti
kiinni.

► **Kuva28:** 1. Nuppi

Ajonopeuden säätäminen

► **Kuva29:** 1. Nopeusvipu

Ajonopeutta voidaan säätää nopeusvivulla. Kun haluat
pienentää nopeutta, vedä vipua itseäsi kohti. Kun haluat
lisätä nopeutta, paina vipua eteenpäin.

Levitysosan käyttäminen

Levitysosaa käyttämällä leikattu ruoho voidaan palaut-
taa maahan keräämättä sitä ruohosäiliöön. Kun käytät
levitysosaa koneessa, muista irrottaa ruohosäiliö tai
poistokouru.

HUOMAUTUS: Kun käytät konetta levitysosan
kanssa, varmista, että ruohon pituus leikkaan
jälkeen on vähintään 30 mm ja että leikkauspituus
on enintään 15 mm.

► **Kuva30:** (1) Vähintään 30 (2) Enintään 15

Poistokourun käyttäminen

Poistokourun avulla leikattu ruoho voidaan poistaa
maahan koneen oikealta puolelta keräämättä sitä ruo-
hosäiliöön. Kun käytät konetta poistokourun kanssa, muista
irrottaa ruohosäiliö ja levitysosa.

Takapoistimen käyttäminen

Takapoistimella leikatun ruohon voi poistaa maahan
koneen takapuolelta keräämättä sitä ruohosäiliöön.
Kun käytät konetta takapoistimen kanssa, muista
irrottaa levitysosa ja ruohosäiliö tai poistokouru ja sulje
takakansi.

Sähköinen toiminta

Laite on varustettu sähköisillä toiminnoilla helppokäyt-
töisyystä ajatellen.

- Pehmeä ajokäynnistys
Pehmeän käynnistyksen toiminto minimoi käynnis-
tysikun käynnistämällä laitteen tasaisesti.
- Sähköjarru
Tämä kone on varustettu sähköjarrulla. Jos
koneen ruohonleikkurit terät toistuvasti pysähtyvät
hitaasti, kun kytinvipu vapautetaan, huollata kone
valtuutetussa Makita-huoltoliikkeessä.

TYÖSKENTELY

Ruohonleikkuu

VAROITUS: Poista kepit ja kivet leikkausalueelta
ennen leikkuaan aloittamista. Poista myös rikkaruohot
alueelta ennen ruohon leikkaamista.

VAROITUS: Käytä sivusuojilla varustettuja
suojalaseja aina, kun käytät ruohonleikkuria.

HUOMIO: Jos leikattu ruoho tai vierasesine
juuttuu ruohonleikkurin rungon sisälle, muista
irrottaa akkupaketit ja pukea hansikkaat ennen
ruohon tai vierasesineen poistamista.

HUOMAUTUS: Käytä tätä konetta vain ruohon
leikkaamiseen. Älä leikkaa rikkakasveja tällä
koneella.

► **Kuva31**

Pidä kahvasta tukevasti molemmin käsin kiinni leikkuaan aikana.
Suositeltu leikkuaanopeus on noin 7–14 metriä 10 sekunnissa.

► **Kuva32**

HUOMAA: Jos pitkän tai tiheän ruohon leikkaami-
sen jälkeen ruohon pituus osoittautuu epätasaiseksi
tai jälki huonoksi tai moottori hidastuu leikkaami-
sen aikana, muuta leikkuaanopeus pienemmäksi
kuin tässä oppaassa suositellaan tai suurena
leikkuaanopeutta.

Etupyörän keskiviivat toimivat leikkuaanopeuden oppaana. Käytä
keskiviivoja apuna arvioinnissa ja leikkaa kaista kerrallaan.
Limitä uusi kaista noin kolmasosasta puoleen väliin edellisen
kaistan kanssa, niin leikatusta nurmikosta tulee tasainen.

► **Kuva33:** 1. Leikkuaanopeus 2. Limitäinen alue
3. Keskiviiva

Vaihda leikkuaanopeutta joka kaistalle, jotta leikkuaanokuvio
ei ole vain yksisuuntainen.

► **Kuva34**

Tarkista ruohosäiliö säännöllisesti. Tyhjä se ruo-
hosta ennen sen täyttämistä. Muista pysäyttää ja sam-
muttaa kone aina ennen säännöllistä tarkistusta.

HUOMAUTUS: Jos ruohonleikkuria käytetään
täysinnsällisellä ruohosäiliöllä, terä ei pääse pyö-
rimään esteettä, mikä rasittaa moottoria ja voi
vaurioittaa sitä.

Pitkän ruohon leikkaaminen

Älä yritä leikata kaikkea pitkää ruohoa yhdellä kertaa. Leikkaa
sen sijaan ruoho vaiheittain. Pidä leikkuaanokertojen välillä yhden
tai kahden päivän tauko, kunnes ruoho on tasaisen lyhyttä.

► **Kuva35**

HUOMAA: Jos pitkä ruoho leikataan kerralla lyhyeksi,
ruoho saattaa kuolla. Ruoho voi myös tukkia ruohon-
leikkurin rungon.

HUOMAA: Jos nurmikko on pituudeltaan epätasai-
nen tai loppupuolus heikko leikkaamisen jälkeen tai
jos moottori hidastuu leikkaamisen aikana, pienennä
leikkuaanopeutta tai suurena leikkuaanokorkeutta.

Ruohosäiliön tyhjentäminen

VAROITUS: Onnettomuusriskin pienentämiseksi ruohosäiliön kuntoa tulee valvoa jatkuvasti ja vaurioitunut tai heikentynyt säiliö on tarvittaessa vaihdettava. Vaihda ruohosäiliö tarvittaessa.

1. Vapauta kytkinvipu ja ajovipu.
2. Sammuta kone.
3. Avaa takakansi, tartu ruohosäiliön kahvaan ja vedä se irti kahvasta.
► **Kuva36:** 1. Takakansi 2. Kahva 3. Ruohosäiliö
4. Tyhjennä ruohosäiliö.

KUNNOSSAPITO

VAROITUS: Varmista aina ennen koneen varastointia tai kantamista tai sen tarkastus- tai huoltotoimien aloittamista, että kaikki akkupaketit on irrotettu koneesta.

VAROITUS: Käytä käsineitä tarkastuksen ja huollon aikana.

VAROITUS: Käytä sivusuojilla varustettuja suoja-laseja aina, kun käytät teet tarkastus- tai huoltotoimia.

HUOMAUTUS: Älä koskaan käytä bensiiniä, ohenteita, alkoholia tai tms. aineita. Muutoin pinta voi halkeilla tai sen värit ja muoto voivat muuttua. Muutoin laitteeseen voi tulla värjäytyymiä, muodon vääristymiä tai halkeamia.

Tuotteen TURVALLISUUDEN ja LUOTETTAVUUDEN takaamiseksi korjaukset, muut huoltotyöt ja säädöt on teetettävä Makitan valtuutetussa huoltopisteessä Makitan varaosia käyttäen.

Huolto

1. Irrota kaikki akkupaketit ja sulje sitten akun suojakansi.
 2. Käännä leikkuri kyljelleen. Puhdista kotelon pohjaan kerääntynyt ruohosilppu.
 3. Kaada vettä laitteen pohjaa eli terän kiinnityskohtaa kohti.
- HUOMAUTUS:** Älä pese laitetta korkeapaineisella vesisuihkulla.
4. Tarkista kaikkien mutterien, pulttien, ruuvien yms. kireys.
 5. Tarkista, etteivät liikkuvat osat ole vaurioitujen, murtuneiden tai kulumien varalta. Vaurioituneet tai puuttuvat osat tulee korjata tai vaihtaa.
 6. Varastoi ruohonleikkuri turvalliseen paikkaan lasten ulottumattomiin.

HUOMAUTUS: Älä kaada vettä kuvassa näkyvälle alueelle. Veden kaataminen moottoriyksikköön voi johtaa koneen toimintahäiriöön.

► **Kuva37:** 1. Alue, jolle ei saa kaataa vettä

HUOMAUTUS: Älä kaada koneeseen vettä, kun kone on pystyasennossa, vesi voi valua moottoriin ja aiheuttaa koneen toimintahäiriön.

► **Kuva38**

Ruohonleikkurin kantaminen

HUOMIO: Varmista ennen ruohonleikkurin kantamista, että kaikki akkupaketit on poistettu.

Ruohonleikkuria tulee kantaa niin, että toinen henkilö pitää kiinni takakahvasta ja toinen kuvan mukaisesta koneen etuosan alemmasta kiinnipitokohdasta.

► **Kuva39:** 1. Alempi kiinnipitokohta 2. Takakahva

Säilytys

HUOMIO: Kun asetat koneen pystyasentoon, alustan on oltava tasainen ja tukeva. Jos kone asetetaan epävakaaalle pinnalle, se saattaa kaatua ja aiheuttaa vammoja.

Säilytä ruohonleikkuria sisätiloissa viileässä, kuivassa ja lukitussa paikassa. Älä säilytä ruohonleikkuria ja laturia paikassa, jossa lämpötila voi nousta 40 °C:een tai sitä korkeammaksi.

1. Irrota kaikki akkupaketit.
2. Kierrä nuppia 90° vetämällä samalla kahvan alaosan nuppia lukitustapin vapauttamiseksi. Tee sama toisella puolella ja taita sitten kahva.
► **Kuva40:** 1. Nuppi

HUOMAA: Kun kahvaa tuetaan, lukitusnastan irrottaminen nuppia vedettäessä on helpompaa.

3. Kierrä kummankin puolen nuppia 90°. Varmista, että nupit ovat lujasti kiinni.
► **Kuva41:** 1. Nuppi

HUOMAUTUS: Varo, etteivät johdot jää väliin sulkiessasi kahvaa.

4. Löysennä kummankin puolen siipimutterit ja taita sitten kahvan yläosa kuvan mukaisesti.
► **Kuva42:** 1. Siipimutteri 2. Kahvan yläosa

5. Aseta kone pystyasentoon.

HUOMAA: Kun asetat ruohonleikkurin pystyasentoon, älä pidä kiinni vain kahvasta vaan sekä ruohonleikkurin rungosta että kahvasta.

6. Säilytä ruohosäiliötä kuvan mukaisesti.
► **Kuva43:** 1. Ruohosäiliö
► **Kuva44:** 1. Ruohosäiliö

Ruohonleikkuterän irrotus ja asentaminen

VAROITUS: Terä pyörii vielä muutaman sekunnin ajan kytkimen vapauttamisen jälkeen. Älä aloita mitään toimenpidettä, ennen kuin terä on täysin pysähtynyt.

VAROITUS: Irrota kaikki akkupaketit aina ennen terän irrottamista ja asentamista. Jos kaikkia akkupaketteja ei irroteta, seurauksena voi olla vakavia vammoja.

VAROITUS: Käytä aina suojäkäsineitä, kun käsittelet terää.

Ruohonleikkurin terän irrottaminen

1. Käännä ruohonleikkuri kyljelleen siten, että leikkukorkeuden säätövipu tulee yläpuolelle.
2. Voit lukita terän työntämällä tapin niin syväälle ruohonleikkurin rungossa olevaan reikään kuin se menee.
3. Kierrä pulttia vastapäivään koon 17 hylsyavaimella.
▶ **Kuva45:** 1. Ruohonleikkurin terä 2. Tappi 3. Hylsyavain
4. Irrota pultti ja sitten ruohonleikkurin terä.
▶ **Kuva46:** 1. Terän tuki 2. Ruohonleikkurin terä 3. Pultti 4. Uloke

HUOMAUTUS: Kun asennat ruohonleikkurin terän, varmista, että terän tuen ulokkeet asettuvat ruohonleikkurin terän reikiin.

Ruohonleikkurin terän kiinnittäminen

- ▲ **VAROITUS:** Asenna ruohonleikkurin terä huolellisesti. Siinä on ylä-/alapuoli.
- ▲ **VAROITUS:** Kiinnitä sitten terä paikalleen kiristämällä pultti tiukasti myötäpäivään kiertäen.
- ▲ **VAROITUS:** Varmista, että ruohonleikkurin terä ja kaikki kiinnitysosat on asennettu oikein ja kunnolla kiristetty.
- ▲ **VAROITUS:** Kun vaihdat teriä, noudata aina tämän oppaan ohjeita.

HUOMAUTUS: Kun ruohonleikkurin terät on asennettu, poista tappi ruohonleikkurin rungosta.

Ruohonleikkurin terät asennetaan päinvastaisessa järjestyksessä kuin irrotusohjeissa.

VIANMÄÄRITYS

Tarkista kone ensin itse, ennen kuin viät sen korjattavaksi. Jos havaitset ongelman, johon ei löydy ratkaisua ohjeista, älä yritä purkaa konetta. Vie se sen sijaan valtuutettuun Makita-huoltoon. Käytä korjaamiseen aina alkuperäisiä Makita-varaosia.

Epänormaali tila	Todennäköinen syy (toimintahäiriö)	Korjaus
Ruohonleikkuri ei käynnisty.	Akkupakettia ei ole asennettu.	Asenna ladattu akkupaketti.
	Akkuongelma (alijännite)	Lataa akkupaketti. Jos lataaminen ei toimi tehokkaasti, vaihda akkupakettia.
Moottori pysähtyy lyhyen käytön jälkeen.	Akun varaus tila on alhainen.	Lataa akkupaketti. Jos lataaminen ei toimi tehokkaasti, vaihda akkupakettia.
	Leikkuukorkeus on liian alhainen.	Nosta leikkuukorkeutta.
	Ruohonleikkuriin on kertynyt leikattua ruohoa.	Poista kertynyt leikattu ruoho ruohonleikkurista.
Moottori ei saavuta suurinta kierroslukua.	Akkupaketti on asennettu väärin.	Asenna akkupaketti tämän käyttöohjeen ohjeiden mukaan.
	Akun teho laskee.	Lataa akkupaketti. Jos lataaminen ei toimi tehokkaasti, vaihda akkupakettia.
	Vetojärjestelmä ei toimi oikein.	Pyydä valtuutettua huoltoliikettäsi korjaamaan laite.
Ruohonleikkurin terä ei pyöri: ⇒ pysäytä ruohonleikkuri välittömästi!	Vieras esine, esimerkiksi oksa, on juuttunut lähelle terää.	Poista vieras esine.
	Vetojärjestelmä ei toimi oikein.	Pyydä valtuutettua huoltoliikettäsi korjaamaan laite.
Epänormaali tärinä: ⇒ pysäytä ruohonleikkuri välittömästi!	Terä on epätasapainossa, liiallisesti tai epätasaisesti kulunut.	Vaihda terä.

LISÄVARUSTEET

▲ **HUOMIO:** Seuraavia lisävarusteita tai -laitteita suositellaan käytettäväksi tässä ohjeessa kuvattun Makita-koneen kanssa. Muiden lisävarusteiden tai -laitteiden käyttö voi aiheuttaa henkilövahinkoja. Käytä lisävarusteita ja -laitteita vain niiden käyttötarjoituksen mukaisesti.

Jos tarvitset apua tai yksityiskohtaisempia tietoja seuraavista lisävarusteista, ota yhteys paikalliseen Makitan huoltoon.

- Ruohonleikkurin terä
- Aito Makita-akku ja -laturi

HUOMAA: Jotkin luettelossa mainitut varusteet voivat sisältyä laitetuotteen vakiovarusteina. Ne voivat vaihdella maittain.

SPECIFIKATIONER

Model:	LM001G	LM002G
Klippebredde (diameter af bladet)	480 mm	534 mm
Omdrejninger uden belastning	Normal tilstand	3.200 min ⁻¹
	Blød ingen belastning tilstand	2.500 - 3.200 min ⁻¹
	Støjreducerende tilstand	2.500 min ⁻¹
Artikelnummer på reserveblad til plæneklipper	Lige plæneklipperblad	191V97-3
	Lige plæneklipperblad *1	-
	Komposteringsblad	191Y64-6
Mål (L x B x H)	under anvendelse	L: 1.670 mm til 1.745 mm B: 550 mm H: 965 mm til 1.075 mm
	under opbevaring (uden græskurv)	585 mm x 550 mm x 900 mm
Kørehastighed	1,5 - 5,0 km/h	
Mærkespænding	D.C. 36 V - 40 V maks.	
Nettovægt	28,0 - 33,0 kg	29,3 - 34,5 kg
Beskyttelsesgrad	IPX4	

*1. Plæneklipperblad til mere effektiv opsamling af græs.

- På grund af vores kontinuerlige forsknings- og udviklingsprogrammer kan hosstående specifikationer blive ændret uden varsel.
- Specifikationer kan variere fra land til land.
- Vægten kan være anderledes afhængigt af tilbehøret, inklusive akkuen. Den letteste og tungeste kombination i henhold til EPTA-procedure 01/2014 er vist i tabellen.

Anvendelig akku og oplader

Akku	BL4020 / BL4025 / BL4040* / BL4050F* / BL4080F* *: Anbefalet batteri
Oplader	DC40RA / DC40RB / DC40RC




- Nogle af de akkuer og opladere, der er angivet ovenfor, er muligvis ikke tilgængelige, afhængigt af hvilket område du bor i.






⚠ ADVARSEL: Brug kun de akkuer og opladere, der er angivet ovenfor. Brug af andre akkuer og opladere kan medføre personskaade og/eller brand.

⚠ ADVARSEL: Brug ikke en ledningstilsluttet strømforsyning som fx en batteriadapter eller bærbar strømforsyningsenhed med denne maskine. Ledningen til en sådan strømforsyning kan muligvis hindre brugen og forårsage personskaade.

Symboler

Følgende viser de symboler, der muligvis anvendes til udstyret. Sørg for, at du forstår deres betydning før brugen.

	Udvis særlig forsigtighed og opmærksomhed.
	Læs betjeningsvejledningen.
	Fare; pas på kastede genstande.

	Afstanden mellem maskinen og omkringstående skal være mindst 15 m.
	Undlad at anbringe hænder og fødder i nærheden af plæneklipperbladet under plæneklipperen. Plæneklipperbladene fortsætter med at rotere, efter at motoren er slukket.
	Advarsel; Afbryd batteriet inden vedligeholdelse.
	Elektrisk risiko. Kontakt med vand kan medføre elektrisk stød.
	Hæld ikke vand på.



Kun for lande inden for EU
 På grund af tilstedeværelsen af farlige komponenter i udstyret kan affald af elektrisk og elektronisk udstyr, akkumulatører og batterier have en negativ indvirkning på miljøet og folkesundheden.
 Bortskaf ikke elektriske og elektroniske apparater eller batterier sammen med husholdningsaffald!
 I overensstemmelse med EF-direktiv om affaldshåndtering af elektrisk og elektronisk udstyr og om akkumulatører og batterier og affaldsakkumulatører og -batterier, og i overensstemmelse med national lovgivning, skal brugt elektrisk udstyr, batterier og akkumulatører opbevares separat og leveres til et separat indsamlingssted for kommunalt affald, der er etableret i henhold til bestemmelserne om miljøbeskyttelse. Dette er angivet ved symbolet på den krydsede skrædespand, der er placeret på udstyret.



Garanteret lydeffektniveau i henhold til EU-direktivet om maskiner til udendørs brug.



Lydeffektniveau i henhold til Australiens NSW forordning om støjemission

Tilsigtet anvendelse

Maskinen er beregnet til at slå græs.

Støj

Det typiske A-vægtede støjniveau bestemt i overensstemmelse med EN62841-4-3:

Model LM001G

Målt lydeffektniveau (L_{WA}): 91 dB (A)
 Garanteret lydeffektniveau (L_{WA}): 94 dB (A)
 Lydtryksniveau (L_{pA}): 81 dB (A)
 Usikkerhed for lydtrykniveau (K): 3 dB (A)

Model LM002G

Målt lydeffektniveau (L_{WA}): 91 dB (A)
 Garanteret lydeffektniveau (L_{WA}): 94 dB (A)
 Lydtryksniveau (L_{pA}): 81 dB (A)
 Usikkerhed for lydtrykniveau (K): 3 dB (A)

BEMÆRK: De(n) angivne støjemissionsværdi(er) er målt i overensstemmelse med en standardtestmetode og kan anvendes til at sammenligne en maskine med en anden.

BEMÆRK: De(n) angivne støjemissionsværdi(er) kan også anvendes i en præliminær eksponeringsvurdering.

⚠ ADVARSEL: Bær høreværn.

⚠ ADVARSEL: Støjemissionen under den faktiske anvendelse af maskinen kan være forskellig fra de(n) angivne værdi(er), afhængigt af den måde hvorpå maskinen anvendes, især den type arbejdssemne der behandles.

⚠ ADVARSEL: Sørg for at identificere de sikkerhedsforskrifter til beskyttelse af operatøren, som er baseret på en vurdering af eksponering under de faktiske brugsforhold (med hensyntagen til alle dele i brugscyklussen, f.eks. de gange, hvor maskinen er slukket, og når den kører i tomgang i tilgift til afbrydertiden).

Vibration

Vibrationens totalværdi (tre-aksial vektorsum) bestemt i overensstemmelse med EN62841-4-3:

Model LM001G

Vibrationsemission (a_h): 2,5 m/s² eller mindre
 Usikkerhed (K): 1,5 m/s²

Model LM002G

Vibrationsemission (a_h): 2,5 m/s² eller mindre
 Usikkerhed (K): 1,5 m/s²

BEMÆRK: De(n) angivne totalværdi(er) for vibration er målt i overensstemmelse med en standardtestmetode og kan anvendes til at sammenligne en maskine med en anden.

BEMÆRK: De(n) angivne totalværdi(er) for vibration kan også anvendes i en præliminær eksponeringsvurdering.

⚠ ADVARSEL: Vibrationsemissionen under den faktiske anvendelse af maskinen kan være forskellig fra de(n) angivne værdi(er), afhængigt af den måde hvorpå maskinen anvendes, især den type arbejdssemne der behandles.

⚠ ADVARSEL: Sørg for at identificere de sikkerhedsforskrifter til beskyttelse af operatøren, som er baseret på en vurdering af eksponering under de faktiske brugsforhold (med hensyntagen til alle dele i brugscyklussen, f.eks. de gange, hvor maskinen er slukket, og når den kører i tomgang i tilgift til afbrydertiden).

EF-overensstemmelseserklæring

Kun for lande i Europa

EF-overensstemmelseserklæringen er inkluderet som Bilag A i denne brugsanvisning.

SIKKERHEDSADVARSLER

Almindelige sikkerhedsregler for el-værktøj

⚠ ADVARSEL: Læs alle de sikkerhedsadvarsler, instruktioner, illustrationer og specifikationer, der følger med denne maskine. Forsømmelse af at overholde alle nedenstående instruktioner kan medføre elektrisk stød, brand og/eller alvorlig personskade.

Gem alle advarsler og instruktioner til fremtidig reference.

Ordet "el-værktøj" i advarslerne henviser til det netforsynede (netledning) el-værktøj eller batteriforsynede (akku) el-værktøj.

Sikkerhedsadvarsler for akku-plæneklipper

- Undlad at bruge plæneklipperen under dårlige vejrforhold, især når der er risiko for lynnedslag.** Dette mindsker risikoen for at blive ramt af lynnedslag.
- Undersøg grundigt området for dyreliv, hvor plæneklipperen skal bruges.** Dyrelivet kan blive skadet af plæneklipperen under anvendelse.
- Undersøg det område grundigt, hvor plæneklipperen skal bruges, og fjern alle sten, pinde, ledninger, knogler og andre fremmedlegemer.** Udslyngede genstande kan forårsage personskade.
- Før du bruger plæneklipperen, skal du altid inspicere visuelt for at sikre, at bladet og bladmonteringen ikke er slidt eller beskadiget.** Slidte eller beskadigede dele øger risikoen for personskade.
- Kontroller ofte græskurven for slitage eller forringelse.** En slidt eller beskadiget græskurv kan øge risikoen for personskade.
- Hold afskærmninger på plads. Afskærmninger skal være i funktionsdygtig stand og være korrekt monteret.** En afskærmning, der er løs, beskadiget eller ikke fungerer korrekt, kan resultere i personskade.
- Hold alle køleluftåbninger fri for snavs.** Blokerede luftåbninger og snavs kan resultere i overophedning eller risiko for brand.
- Når du anvender plæneklipperen, skal du altid bære skridsikkert og beskyttende fodtøj. Undlad at betjene plæneklipperen, når du er barfodet eller iført åbne sandaler.** Dette reducerer risikoen for skade på fødderne ved kontakt med det bevægelige blad.
- Når du betjener plæneklipperen, skal du altid bære lange bukser.** Eksponeret hud øger sandsynligheden for skade som følge af udslyngede genstande.
- Undlad at betjene plæneklipperen i vådt græs. Gå, løb aldrig.** Dette reducerer risikoen for at glide og falde, hvilket kan resultere i personskade.
- Undlad at betjene plæneklipperen på for stejle skråninger.** Dette reducerer risikoen for, at du mister kontrollen, glider og falder, hvilket kan resultere i personskade.
- Når du arbejder på skråninger, skal du altid være sikker på dit fodfæste, altid arbejde på tværs af skråninger, aldrig op eller ned og udvise ekstrem forsigtighed, når du skifter retning.** Dette reducerer risikoen for, at du mister kontrollen, glider og falder, hvilket kan resultere i personskade.
- Vær yderst forsigtig, når du bakker eller trækker plæneklipperen mod dig. Vær altid opmærksom på dine omgivelser.** Dette reducerer risikoen for at snuble under betjening.
- Undlad at røre ved blade og andre farlige bevægelige dele, mens de stadig er i bevægelse.** Dette reducerer risikoen for skader fra bevægelige dele.
- Når du fjerner fastklemt materiale eller rengør plæneklipperen, skal du sørge for, at alle afbrydere er slukket, og at akkuen er afbrudt.** Uventet betjening af plæneklipperen kan resultere i alvorlig personskade.

⚠ ADVARSEL: LAD IKKE bekvemmelighed eller kendskab til produktet (opnået gennem gentagen brug) forhindre, at sikkerhedsforskrifterne for produktet nøje overholdes.

MISBRUG eller forsømmelse af at følge de i denne brugsvejledning givne sikkerhedsforskrifter kan føre til, at De kommer alvorligt til skade.

VIGTIGE SIKKERHEDSFORSKRIFTER

⚠ ADVARSEL: Læs alle sikkerhedsadvarsler og alle sikkerhedsinstruktioner. Hvis nedenstående advarsler og instruktioner ikke overholdes, kan det medføre elektrisk stød, brand og/eller alvorlig personskade.

Gem alle advarsler og instruktioner til fremtidig reference.

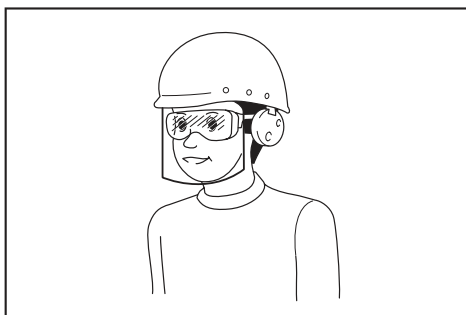
Oplæring

- Læs instruktionerne omhyggeligt.** Vær bekendt med kontrollerne og den korrekte brug af plæneklipperen.
- Lad aldrig børn eller personer, som ikke er bekendt med disse instruktioner, anvende plæneklipperen.** Operatørens alder kan være begrænset af lokale bestemmelser.
- Anvend aldrig plæneklipperen, hvis der er personer, især børn, eller kæledyr i nærheden.**
- Husk, at operatøren eller brugeren er ansvarlig for ulykker eller farlige situationer, som andre personer eller deres ejendom udsættes for.**
- Børn bør være under opsyn for at sikre, at de ikke leger med plæneklipperen.**
- Fysisk tilstand - anvend ikke plæneklipperen under indflydelse af narkotika, alkohol eller nogen form for medicin.**

Forberedelse

- Under anvendelse af plæneklipperen skal De altid bære solidt fodtøj og lange bukser.** Anvend ikke plæneklipperen med bare fødder eller åbne sandaler. Undgå at bære løst tøj eller smykker med løsthængende kæder eller slips. Disse kan sætte sig fast i de bevægelige dele.
- Inden brug skal du altid visuelt efterse plæneklipperen for beskadigede, manglende eller forkert anbragte beskyttelsesskærme eller afskærmninger.**
- Sørg for, at der ikke er nogen personer i arbejdsområdet, inden arbejdet påbegyndes.** Stop plæneklipperen, hvis der kommer nogen ind i området.
- Bær altid beskyttelsesbriller for at beskytte dine øjne mod skader, når du bruger maskiner.** Beskyttelsesbrillerne skal overholde ANSI Z87.1 i USA, EN 166 i Europa eller AS/NZS 1336 i Australien/New Zealand. I Australien/New Zealand er det desuden påbudt ved lov at bære ansigtsskærm for at beskytte dit ansigt.

GEM DENNE BRUGSANVISNING.



Det er arbejdsgiverens ansvar at påbyde brugerne af maskinen samt andre personer i det umiddelbare arbejdsområde at bære passende sikkerhedsbeskyttelsesudstyr.

5. Inspicer omhyggeligt bladene eller boltene til bladene for revner og beskadigelse inden brugen. Revnede eller beskadigede blade eller bolte til bladene skal straks skiftes ud.
6. Fjern fremmedlegemer såsom sten, ståltråd, flasker, ben eller store kæppe fra arbejdsområdet inden klipningen for at undgå personskade og skade på plæneklipperen.
7. Genstande, der rammes af plæneklipperbladet, kan forårsage alvorlig personskade. Plænen bør altid undersøges omhyggeligt, og alle genstande skal fjernes inden hver plæneklipning.
8. Se efter huller, hjulspor, buler, sten eller andre skjulte genstande. Ujævnt terræn kan forårsage et uheld, hvor du glider og falder. Højt græs kan skjule forhindringer.
9. Bær personligt beskyttelsesudstyr. Brug altid beskyttelsesbriller. Beskyttelsesudstyr som f.eks. støvmaske, skridsikre sko, hjelm eller høreværn, der benyttes under de relevante forhold, forebygger personskade.

Drift

1. Stræk dig ikke for langt. Bevar til enhver tid balancen. Sørg altid for et godt fodfæste på skråninger. Gå, løb aldrig.
2. Stop plæneklipperen, sluk for maskinen, og sørg for, at alle bevægelige dele er stoppet helt:
 - når De forlader plæneklipperen,
 - inden rengøring af tilstopninger eller rensning af rende,
 - inden inspektion, rengøring eller arbejde på plæneklipperen,
 - efter et fremmedlegeme er ramt. Inspicér plæneklipperen for beskadigelser, og udfør reparationer, inden du igen starter og anvender plæneklipperen,
 - når plæneklipperen begynder at vibrere unormalt.
3. Anvend aldrig plæneklipperen med defekte dæksler eller skjolde eller uden sikkerhedsanordninger, f.eks. deflektorer og/eller græskurv, på plads.
4. Undgå at bruge plæneklipperen i dårligt vejr, især hvis der er risiko for lynnedslag.
5. Bær til enhver tid øjebeskyttelse og solide sko, når du betjener plæneklipperen.

6. Anvend kun plæneklipperen i dagslys eller i god kunstig belysning.
7. Vær påpasselig med at starte plæneklipperen i overensstemmelse med instruktionerne og med fødderne på god afstand af bladet (bladene).
8. Pas på personskade på fødder og hænder fra plæneklipperbladene.
9. Sørg altid for, at ventilationsåbningerne holdes fri for rester.
10. Køb plæneklipperen på tværs af skråninger, aldrig op og ned ad dem. Vær yderst forsigtig, når De skifter retning på skråninger. Anvend ikke plæneklipperen på meget stejle skråninger.
11. Vær yderst forsigtig, når De bakker eller trækker plæneklipperen imod Dem selv.
12. Stop bladet (bladene), hvis plæneklipperen skal vippes i transportøjemed, når andre overflader end græs krydses, og når plæneklipperen transporteres til og fra det område, hvor den skal anvendes.
13. Vip ikke plæneklipperen, når De tænder for motoren, undtagen hvis plæneklipperen skal vippes for at starte den. I dette tilfælde må den ikke vippes mere end absolut nødvendigt, og kun den del, der vender væk fra operatøren, må løftes. Sørg altid for, at begge hænder er i betjeningspositionen, før plæneklipperen sættes tilbage på jorden.
14. Anbring ikke hænder og fødder i nærheden af eller under de roterende dele. Hold Dem til enhver tid på god afstand af udlædningsåbningen.
15. Transportér ikke plæneklipperen, mens der er tændt for den.
16. Anvend ikke plæneklipperen i vådt græs.
17. Hold altid godt fast i håndtaget.
18. Tag ikke fat i de blotlagte skæreblade eller skærekanten, når plæneklipperen løftes eller holdes.
19. Hold hænder og fødder på god afstand af de roterende blade. Forsigtig - bladene fortsætter med at dreje rundt, efter at der er slukket for plæneklipperen.
20. Stop anvendelsen med det samme, hvis du bemærker noget usædvanligt. Sluk for plæneklipperen. Inspicér derefter plæneklipperen.
21. Forsøg aldrig at foretage indstillinger af klippehøjden, mens plæneklipperen er i gang, hvis plæneklipperen har en funktion til justering af klippehøjde.
22. Slip afbryderarmen, og vent på, at bladrotationen stopper, før du krydser indkørsler, fortove, veje og eventuelle grusbelagte områder. Sluk også for maskinen, hvis du forlader plæneklipperen, rækker ud for at samle noget op eller fjerne noget af vejen, eller af andre årsager, der kan distrahere dig fra det, du foretager dig.
23. Hvis plæneklipperen rammer et fremmedlegeme, skal nedenstående trin følges:
 - Stop plæneklipperen, frigør afbryderarmen, og vent, indtil bladet er standset helt.
 - Afmonter akkuen.

- Inspicér plæneklipperen grundigt for beskadigelse.
 - Skift bladet ud, hvis det på nogen måde er beskadiget. Reparer enhver skade, inden De igen starter plæneklipperen og fortsætter med at anvende den.
24. Start ikke plæneklipperen, mens De står foran udladningsåbningen.
 25. Hvis plæneklipperen begynder at vibrere unormalt (kontrollér straks)
 - inspicér for beskadigelse,
 - udskift eller reparer alle beskadigede dele, - kontrollér, om der er løse dele, og stram dem i så fald.
 26. Ret aldrig udkastet materiale mod nogen. Undgå udkastning af materiale mod en mur eller forhindring. Materiale kan blive kastet tilbage mod operatøren. Stop bladet når der køres over grusoverflader.
 27. Undlad at trække plæneklipperen tilbage med mindre det er absolut nødvendigt. Når du er nødt til at bakke plæneklipperen tilbage fra et hegn eller lignende forhindring, skal du se ned og bagud, før og mens du bevæger dig baglæns.
 28. Sluk for motoren, og vent indtil bladet er helt standset, før du fjerner græsfangeren. Vær opmærksom på, at bladene bevæger sig, efter at der er slukket.
 29. Vær opmærksom på Deres fodfæste, hvis De bruger maskinen på mudret jord, en våd skræning eller et glat sted.
 30. Undlad at nedsænke maskinen i en vandpyt.
 31. Ved betjening af maskinen skal du være opmærksom på rør og ledninger.

Vedligeholdelse og opbevaring

1. Skift af sikkerhedsårsager slidte eller beskadigede dele ud med nye. Anvend kun originale udskiftningsdele og originalt tilbehør.
2. Inspicér og vedligehold plæneklipperen regelmæssigt.
3. Når den ikke er brugt, skal du opbevare plæneklipperen utilgængeligt for børn.
4. Hold alle møtrikker, bolte og skruer stramme for at sikre, at udstyret er i sikker funktionsstand.
5. Inspicér hyppigt græskurven for slitage eller forringelse. Kontrollér altid, at græskurven er tom inden opbevaring. Skift af sikkerhedsgrunde en udtjent græskurv ud med en fabriksny.
6. Anvend kun originale blade fra fabrikanten, som er specificeret i denne brugsanvisning.
7. Vær påpasselig, når plæneklipperen justeres, således at De ikke får fingrene i klemme mellem plæneklipperens roterende blade og de faste dele.
8. Kontrollér med jævne mellemrum bladets befæstelsesbolt for den rigtige stramning.
9. Lad altid plæneklipperen køle af, inden den stilles til opbevaring.
10. Når De servicerer bladene, skal De være opmærksom på, at bladene stadig kan bevæge sig, selv om der er slukket for maskinen.

11. Fjern eller ændr aldrig sikkerhedsanordninger. Kontrollér regelmæssigt at de fungerer ordentligt. Gør aldrig noget som kan interferere med den tilsigtede funktion af en sikkerhedsanordning eller for at reducere beskyttelsen fra en sikkerhedsanordning.
12. Lad ikke maskinen ligge uovervåget udendørs i regnvejr.
13. Undgå direkte sollys og regn ved opbevaring af maskinen, og opbevar den på et sted, hvor det ikke bliver varmt eller fugtigt.

Brug og vedligeholdelse af batteriet

1. Oplad kun med den oplader, som producenten angiver. En oplader, der passer til én type batteri, kan forårsage brand, hvis den anvendes med et andet batteri.
2. Brug kun el-værktøjer sammen med de tilhørende batteripakker. Brug af andre batteripakker kan forårsage personskade og brand.
3. Når batteripakker ikke anvendes, skal de holdes borte fra andre metalgenstande som papirclips, mønter, nøgler, søm, skruer og andre små metalgenstande, der kan skabe forbindelse mellem terminalerne. Hvis batteriets terminaler kortsluttes, kan det forårsage brand.
4. I tilfælde af misbrug kan der sprøjte væske ud fra batteriet. Undgå kontakt. Skyl med vand, hvis De kommer i kontakt med væsken. Søg læge, hvis De får væske i øjet. Væske, der sprøjter ud fra batteriet, kan medføre irritation eller forbrændinger.
5. Undlad at bruge en akku eller maskine, der er beskadiget eller ændret. Beskadigede eller ændrede batterier kan fungere uforudsigeligt og medføre brand, eksplosion eller risiko for personskade.
6. Undlad at udsætte en akku eller maskine for brand eller høje temperaturer. Udsættelse for brand eller temperaturer på over 130 °C kan medføre eksplosion.
7. Følg alle instruktioner vedrørende opladning, og undlad at oplade akkuen eller maskinen uden for det temperaturinterval, der er angivet i instruktionerne. Opladning, der udføres forkert eller ved temperaturer uden for det angivne temperaturinterval, kan beskadige batteriet og medføre øget risiko for brand.

Elektrisk sikkerhed og batterisikkerhed

1. Undlad at kaste batterierne i åben ild. Cellen kan eksplodere. Tjek de lokale regler for eventuelle særlige instruktioner vedrørende bortskaffelse.
2. Undlad at åbne eller mishandle batterierne. Lækket elektrolyt er ætsende og kan medføre skader på øjnene eller huden. Den kan være giftig, hvis den indtages.
3. Undlad at oplade batteriet i regnvejr eller under våde forhold.
4. Oplad ikke batteriet uden døre.
5. Håndter ikke oplader, herunder opladerstik, og opladerterminaler med våde hænder.
6. Undlad at udskifte batteriet i regnvejr.

7. Undgå at gøre batteriets terminal våd med væsker som f.eks. vand eller at nedsænke batteriet. Undlad at lade batteriet ligge i regnvej eller at oplade, bruge eller opbevare batteriet på et fugtigt eller vådt sted. Hvis terminalen bliver våd, eller der kommer væske ind i batteriet, kan batteriet blive kortsluttet, og der er risiko for overophedning, brand eller eksplosion.
8. Når De har fjernet batteriet fra maskinen eller opladeren, skal De sørge for at montere akku-dækslet på batteriet og opbevare det på et tørt sted.
9. Undlad at udskifte batteriet med våde hænder.
10. Undgå farlige miljøer. Brug ikke maskinen på fugtige eller våde steder, og udsæt den ikke for regn. Hvis der kommer vand ind i maskinen, øger det risikoen for elektrisk stød.
11. Hvis akkuen bliver våd, skal du tømme vandet ud og derefter tørre den med en tør klud. Tør akkuen helt på et tørt sted før brug.
6. Opbevar og brug ikke maskinen og akkuen på steder, hvor temperaturen muligvis kan nå eller overstige 50 °C.
7. Lad være med at brænde akkuen, selv ikke i tilfælde, hvor den har lidt alvorlig skade eller er fuldstændig udtjent. Akkuen kan eksplodere, hvis man forsøger at brænde den.
8. Slå ikke søm i, skær ikke i, knus, kast, tab ikke akkuen og stød ikke akkuen mod en hård genstand. Sådan adfærd kan muligvis resultere i en brand, overdreven varme eller eksplosion.
9. Anvend ikke en beskadiget akku.
10. De indbyggede litium-ion-batterier er underlagt lovkrav vedrørende farligt gods. Ved kommerciel transport, f.eks. af tredjeparts transportselskaber, skal særlige krav til forpakning og mærkning overholdes. Ved forberedelse af udstyret til forsendelse skal du kontakte en ekspert i farligt gods. Overhold også eventuel mere detaljeret national lovgivning. Tape eller tildæk åbne kontakter, og pak batteriet på en måde, så det ikke kan flytte sig rundt i pakningen.

Service

1. Få udført service på el-værktøjet hos en autoriseret mekaniker, og brug kun tilsvarende reservedele. Derved vedligeholdes el-værktøjets sikkerhed.
2. Udfør aldrig service på beskadigede akkuer. Service på akkuer må kun udføres af producenten eller af autoriserede reparatører.

GEM DENNE BRUGSANVISNING.

⚠ ADVARSEL: LAD IKKE bekvemmelighed eller kendskab til produktet (opnået gennem gentagen brug) forhindre, at sikkerhedsforskrifterne for produktet nøje overholdes.

MISBRUG eller forsømmelse af at følge de i denne brugsvejledning givne sikkerhedsforskrifter kan føre til, at De kommer alvorligt til skade.

Vigtige sikkerhedsinstruktioner for akkuen

1. Læs alle instruktioner og advarselmærkater på (1) akku-opladeren, (2) akkuen og (3) produktet, som anvender akku.
2. Adskil eller ændr ikke akkuen. Det kan muligvis resultere i en brand, overdreven varme eller eksplosion.
3. Hold straks op med anvendelsen, hvis brugstiden er blevet stærkt afkortet. Fortsæt anvendelse kan resultere i risiko for overophedning, forbrændinger og endog eksplosion.
4. Hvis De har fået elektrolytvæske i øjnene, skal De straks skylle den ud med rent vand og derefter øjeblikkeligt søge lægehjælp. I modsat fald kan De miste synet.
5. Vær påpasselig med ikke at komme til at kortslutte akkuen:
 - (1) Rør ikke ved terminalerne med noget ledende materiale.
 - (2) Undgå at opbevare akkuen i en beholder sammen med andre genstande af metal, for eksempel søm, mønter og lignende.
 - (3) Udsæt ikke akkuen for vand eller regn. Kortslutning af akkuen kan forårsage en kraftig øgning af strømmen, overophedning, mulige forbrændinger og endog værktøjstop.
11. Når akkuen bortskaffes, skal du fjerne den fra maskinen og bortskaffe den på et sikkert sted. Følg de lokale love vedrørende bortskaffelsen af batterier.
12. Brug kun batterierne med de produkter, som Makita specificerer. Hvis batterierne installeres i ikke-kompatible produkter, kan det medføre brand, kraftig varme, eksplosion eller udsivning af elektrolyt.
13. Hvis maskinen ikke skal bruges i længere tid ad gangen, skal du fjerne batteriet fra maskinen.
14. Akkuen kan muligvis under og efter brug være varm, hvilket kan forårsage forbrændinger eller lavtemperaturforbrændinger. Vær påpasselig med håndtering af varme akkuer.
15. Rør ikke terminalen på maskinen straks efter brug, da den bliver varm nok til at forårsage forbrændinger.
16. Sørg for, at spåner, støv eller jord ikke sætter sig fast i akkuens terminaler, huller og riller. Det kan forårsage opvarmning, antændelse, sprængning og funktionsfejl i maskinen eller akkuen, hvilket kan medføre forbrændinger eller personskade.
17. Nedmindre maskinen understøtter brugen i nærheden af elektriske højspændingsledninger, skal du ikke anvende akkuen i nærheden af elektriske højspændingsledninger. Det kan muligvis medføre funktionsfejl på eller nedbrud af maskinen eller akkuen.
18. Opbevar batteriet utilgængeligt for børn.

GEM DENNE BRUGSANVISNING.

⚠ FORSIGTIG: Brug kun originale batterier fra Makita. Brug af uoriginale Makita-batterier, eller batterier som er blevet ændret, kan muligvis medføre brud på batteriet, hvilket kan forårsage brand, personskade eller beskadigelse. Det ugyldiggør også Makita-garantien for Makita-maskinen og opladeren.

Tips til opnåelse af maksimal akku-levetid

1. Oplad akkuen, inden den er helt afladet. Stop altid værktøjet, og oplad akkuen, hvis De bemærker, at værktøjeffekten er aftagende.
2. Genoplad aldrig en fuldt opladet akku. Overopladning vil forkorte akkuens levetid.
3. Oplad akkuen ved stuetemperatur ved 10 °C - 40 °C. Lad altid en varm akku få tid til at køle af, inden den oplades.
4. Når du ikke anvender akkuen, skal du fjerne den fra maskinen eller opladeren.
5. Oplad akkuen, hvis De ikke skal bruge den i længere tid (mere end seks måneder).

SAMLING

⚠ ADVARSEL: Sørg altid for, at alle akkuerne er afmonteret, før du udfører noget arbejde på maskinen. Hvis du ikke afmonterer alle akkuerne, kan det medføre alvorlig personskade som følge af utilsigtet start.

⚠ ADVARSEL: Start aldrig plæneklipperen, medmindre den er fuldstændig samlet. Anvendelse af maskinen i kun delvist samlet tilstand kan medføre alvorlig personskade forårsaget af utilsigtet start.

Montering af håndtaget

BEMÆRKNING: Når du monterer håndtagene, skal du sørge for ikke at klemme ledningen mellem håndtagene. Hvis ledningen er beskadiget, fungerer plæneklipperkontakten muligvis ikke.

1. Juster hullet i det nederste håndtag med hullet i det øverste håndtag, indsæt derefter boltene udefra, og tilspænd derefter fingermøtrikken indefra. Udfør den samme procedure på den anden side.
► **Fig.1:** 1. Bolt 2. Fingermøtrik 3. Nederste håndtag 4. Øverste håndtag
2. Drej knappen 90°, mens du trykker på knappen på det nederste håndtag for at frigøre låsestiften. Udfør den samme procedure på den anden side. Løft håndtaget, og drej derefter knappen på begge sider 90°. Sørg for, at knapperne er forsvarligt fastgjort.
► **Fig.2:** 1. Knap

BEMÆRK: Ved at holde i håndtaget er det nemmere at frigøre låsestiften, når du trækker i knappen.

BEMÆRK: Når du drejer på knappen, skal du passe på, at ledningen ikke kommer i klemme i knappen.

- **Fig.3:** 1. Knap

Afmontering af komposteringsproppen

1. Åbn bagdækslet.
► **Fig.4:** 1. Bagdæksel
2. Løft komposteringsproppen lidt, og afmonter den derefter.
► **Fig.5:** 1. Komposteringsprop

Montering af græskurven

1. Tag det øverste klip på græskurven.
► **Fig.6:** 1. Øverste klip
2. Sæt rammen ind i græskurven så langt, den vil gå, mens du holder i rammens håndtag.
► **Fig.7:** 1. Håndtag

BEMÆRKNING: Sæt ikke håndtaget ind i græskurven. Sørg for at sætte rammen ind langs sømmen på græskurven.

3. Sørg for, at der ikke er noget, som hænger ned i hjørnerne af græskurven.
► **Fig.8**
4. Åbn det øverste klip, og monter det på rammen.
► **Fig.9**
5. Monter alle de andre klip som vist i figuren. Sørg for, at alle klippene er forsvarligt fastgjort til rammen.
► **Fig.10:** 1. Klip

Montering eller afmontering af græskurven

Følg nedenstående fremgangsmåde for at montere græskurven.

1. Åbn bagdækslet.
► **Fig.11:** 1. Bagdæksel
2. Hold i håndtaget på græskurven og sæt derefter krogen på græskurven på stangen på plæneklipperens karosseri som vist i illustrationen.
► **Fig.12:** 1. Græskurv 2. Håndtag 3. Stang

For at fjerne græskurven skal du åbne bagdækslet og derefter fjerne græskurven ved at holde i håndtaget.

Montering af komposteringsproppen

1. Åbn bagdækslet, og fjern derefter græskurven.
► **Fig.13:** 1. Bagdæksel 2. Græskurv
2. Fastgør komposteringsproppen ved at skubbe den så langt som muligt, så de fremspringende dele på komposteringsproppen passer ind i hullerne på maskinen.
► **Fig.14:** 1. Komposteringsprop 2. Fremspringende del

Montering eller afmontering af udledningsskakten

Følg nedenstående trin for at montere udledningsskakten.

1. Åbn bagdækslet, og afmonter derefter græskurven og komposteringsproppen.
2. Hægt hullerne på udledningsskakten fast på de fremspringende dele på plæneklipperens krop som vist på figuren.
► **Fig.15:** 1. Udledningsskakt 2. Fremspringende del

For at afmontere udledningsskakten skal du åbne bagdækslet og derefter afmontere udledningsskakten.

FUNKTIONSBESKRIVELSE

Isætning eller fjernelse af akkuen

⚠FORSIGTIG: Sluk altid for maskinen, før du monterer eller fjerner akkuen.

⚠FORSIGTIG: Hold maskinen og akkuen fast, når du monterer eller fjerner akkuen. Hvis du ikke holder maskinen og akkuen fast, kan de glide ud af dine hænder og resultere i skader på maskinen, akkuen og en personskaade.

⚠FORSIGTIG: Sørg for, at akku-dækslet er låst inden brugen. Ellers kan mudder, snavs eller vand øve skade på produktet eller akkuen.

⚠FORSIGTIG: Installér altid akkuen helt, så den røde indikator ikke kan ses. Ellers kan den falde ud af maskinen ved et uheld og forårsage personskaade på dig eller personer i nærheden.

⚠FORSIGTIG: Installér ikke akkuen med magt. Hvis akkuen ikke glider nemt ind, betyder det, at den ikke sættes korrekt ind.

⚠FORSIGTIG: Hold godt fast i akku-dækslet, når du monterer eller afmonterer akkuen.

Installation af akkuen:

1. Træk låsearmen op, og åbn derefter akku-dækslet.

► Fig.16: 1. Akku-dæksel 2. Låsearm

2. Justér tungen på akkuen med åbningen på maskinen, og skub derefter akkuen, indtil den låses på plads med et lille klik.

► Fig.17: 1. Akku

3. Luk akku-dækslet, og tryk på det, indtil det går i indgreb med låsearmen.

Sådan fjerner du akkuen;

1. Træk låsearmen op, og åbn akku-dækslet.

2. Træk akkuen ud fra maskinen, mens der skubbes på knappen på forsiden af akkuen.

3. Luk akku-dækslet.

Beskyttelsessystem til maskinen/batteriet

Maskinen er udstyret med et beskyttelsessystem til maskinen/batteriet. Dette system afbryder automatisk strømmen til motoren for at forlænge maskinens og batteriets levetid. Maskinen stopper automatisk under brugen, hvis maskinen eller batteriet udsættes for et af følgende forhold:

Overbelastningsbeskyttelse

Hvis batteriet anvendes på en måde, der bevirker, at det forbruger en unormal mængde strøm, vil maskinen automatisk stoppe, og hovedstrømlampen blinker grønt. Sluk i så fald for maskinen, og stop den anvendelse, der medførte, at maskinen blev overbelastet. Tænd derefter for maskinen for at starte den igen.

Beskyttelse mod overophedning

Når maskinen er overophedet, stopper maskinen automatisk, og hovedstrømlampen lyser rødt. I så fald skal du lade maskinen og batterierne køle af, før du tænder for maskinen igen.

BEMÆRK: Når batteriet er overophedet, blinker hovedstrømlampen rødt.

Beskyttelse mod overafledning

Hvis batteriladningen er for lav, stopper maskinen automatisk, og hovedstrømlampen blinker rødt. Fjern i så fald batteriet fra maskinen, og lad akkuerne op, eller udskift akkuerne med nogle, der er fuldt opladet.

Beskyttelse mod andre årsager

Beskyttelsessystemet er også designet til andre årsager, der kan beskadige maskinen og gør det muligt for maskinen at stoppe automatisk. Benyt alle følgende fremgangsmåder for at fjerne årsagerne, når maskinen er blevet midlertidigt stoppet eller stoppet under betjening.

1. Sluk for maskinen, og tænd den igen for at genstarte.
2. Oplad batteriet/batterierne, eller udskift det/dem med genopladet/genopladede batteri/batterier.
3. Lad maskinen og batteriet/batterierne køle af.

Hvis der ikke kan findes nogen forbedring ved at gen-danne beskyttelsessystemet, skal det lokale Makita-servicecenter kontaktes.

BEMÆRKNING: Hvis maskinen stopper på grund af en årsag, der ikke er beskrevet ovenfor, skal du se afsnittet om fejlfinding.

Indikation af den resterende batteriladning

► Fig.18: 1. Batteriindikator

Når den resterende batteriladning bliver lav, blinker batteriindikatoren på den anvendelige batteriside. Ved yderligere brug stopper maskinen, og batteriindikatoren lyser. I denne situation skal du oplade akkuen.

BEMÆRK: Hvis der er monteret to akkuer, bruges det batteri, der er monteret i venstre side, først.

BEMÆRK: Hvis der er monteret to akkuer, skifter maskinen automatisk batteriet, når det anvendte batteri bliver tomt.

Indikation af den resterende batteriladning

Tryk på kontrolknappen på akkuen for at få vist den resterende batteriladning. Indikatorlampen lyser i nogle sekunder.

► **Fig.19:** 1. Indikatorlamper 2. Kontrolknap

Indikatorlamper			Resterende ladning
Tændt	Slukket	Blinker	
■ ■ ■ ■			75% til 100%
■ ■ ■ □			50% til 75%
■ ■ □ □			25% til 50%
■ □ □ □			0% til 25%
▬ □ □ □			Genoplad batteriet.
■ ■ □ □			Der er muligvis fejl i batteriet.
□ □ ■ ■	↑	↓	

BEMÆRK: Afhængigt af brugsforholdene og den omgivende temperatur kan indikationen afvige en smule fra den faktiske ladning.

BEMÆRK: Den første indikatorlampe (længst mod venstre) vil blinke, når batteribeskyttelsessystemet aktiveres.

Kontrolpanel

Kontrolpanelet har en hovedafbryder og knap til tilstandsvalg.

► **Fig.20:** 1. Blød ingen belastning tilstandslampe 2. Støjreducerende tilstandslampe 3. Knap til tilstandsvalg 4. Hovedstrømlampe 5. Hovedafbryder

Hovedafbryder

ADVARSEL: Sluk altid for hovedafbryderen, når maskinen ikke bruges.

Tryk på hovedafbryderen for at tænde for maskinen. Hovedstrømlampen lyser grønt. Tryk på hovedafbryderen igen for at slukke for maskinen.

BEMÆRK: Hvis hovedstrømlampen lyser rødt, eller den blinker rødt eller grønt, skal du se i instruktionerne til beskyttelsessystemet til maskinen/batteriet.

BEMÆRK: Denne maskine har en funktion til automatisk slukning. For at undgå utilsigtet start slukker hovedafbryderen automatisk, når der ikke trykkes på afbryderarmen og drevarmen (hvis udstyret dermed) i en vis periode, efter at der tændes for hovedafbryderen.

Knap til tilstandsvalg

De kan skifte driftstilstand ved at trykke på knappen til tilstandsvalg. Når der tændes for maskinen, starter maskinen i normal tilstand.

Se nedenstående tabel for hver tilstand.

Tilstand	Lampe	Beskrivelse
Normal tilstand	Både den bløde ingen belastning tilstandslampe og den støjreducerende tilstandslampe er slukket.	Maskinen fungerer i normal tilstand.
Blød ingen belastning tilstand	Den bløde ingen belastning tilstandslampe lyser grønt.	Du kan minimere et startstød og starte maskinen problemfrit.
Støjreducerende tilstand	Den støjreducerende tilstandslampe lyser grønt.	Du kan reducere støjen ved klipning.

Afbryderbetjening

ADVARSEL: Inden akkuen installeres, skal De altid kontrollere, at afbryderarmen fungerer, som den skal, og returnerer til udgangsstillingen, når den slippes. Anvendelse af maskinen med en afbryder, der ikke fungerer korrekt, kan føre til, at man mister herredømmet over maskinen med alvorlig personskade som følge.

BEMÆRK: Plæneklipperen starter ikke, uden at De trykker på afbryderknappen, selv hvis afbryderarmen trækkes.

BEMÆRK: Plæneklipperen starter muligvis ikke pga. overbelastning, hvis De forsøger at slå højt eller tæt græs samtidig. Forøg i så fald klippehøjen.

Denne maskine er udstyret med en afbryderknap. Hvis du bemærker noget usædvanligt med afbryderknappen, skal du straks stoppe anvendelsen og få den kontrolleret af det nærmeste autoriserede Makita-servicecenter.

1. Montér akkuen, og luk derefter akku-dækslet.
2. Tryk på hovedafbryderen.

BEMÆRK: Hovedstrømlampen blinker grønt, hvis du trykker på hovedafbryderen, mens du trækker i afbryderarmen. Slip afbryderarmen, før du trykker på hovedafbryderen.

3. Træk afbryderarmen mod dig, mens du holder afbryderknappen nede. Slip afbryderknappen, når motoren begynder at køre.

► **Fig.21:** 1. Afbryderknap 2. Afbryderarm

4. Skub drevarmen fremad, idet der trykkes på afbryderarmen, og hold den for at dreje baghjulene.

► **Fig.22:** 1. Drevarm

BEMÆRK: Du kan dreje baghjulene ved at skubbe drevarmen fremad og holde den uden at trække i afbryderarmen.

5. Slip drevarmen og afbryderarmen for at stoppe maskinen.

Indstilling af klippehøjden

⚠ ADVARSEL: Stik aldrig en hånd eller et ben ind under plæneklipperen, når De indstiller klippehøjden.

⚠ ADVARSEL: Sørg altid for, at armen passer ordentligt ind i rillen inden brugen.

Klippehøjden kan indstilles inden for et interval mellem 20 mm og 100 mm.

Sluk for maskinen, og træk derefter justeringsarmen til klippehøjde udad på plæneklipperens krop, og flyt den til den ønskede klippehøjde.

► **Fig.23:** 1. Justeringsarm til klippehøjde

Tabellen nedenfor viser forholdet mellem nummeret på plæneklipperens karosseri og den omtrentlige klippehøjde.

Nummer	Klippehøjde
1	20 mm
2	26 mm
3	32 mm
4	39 mm
5	47 mm
6	55 mm
7	63 mm
8	74 mm
9	86 mm
10	100 mm

Hold det nederste håndtag med den ene hånd, og flyt derefter justeringsarmen til klippehøjde med den anden hånd.

► **Fig.24:** 1. Justeringsarm til klippehøjde 2. Nederste håndtag

BEMÆRK: Tallene for klippehøjde må kun bruges som retningslinje. Afhængigt af brugsforholdene på plænen eller jorden kan den faktiske græshøjde afvige en smule i forhold til den indstillede højde.

BEMÆRK: Udfør en testklipning på et mindre iøjnefaldende sted for at opnå den ønskede højde.

Græsniveauindikator

Græsniveauindikatoren viser mængden af det klippede græs. Når græskurven ikke er fuld, vil indikatoren bevæge sig, mens bladene kører.

► **Fig.25:** 1. Græsniveauindikator

Når græskurven næsten er fuld, bevæger indikatoren sig ikke, mens bladene kører. Hold i dette tilfælde straks op med anvendelsen og tøm kurven.

► **Fig.26:** 1. Græsniveauindikator

BEMÆRK: Denne indikator er en omtrentlig retningslinje. Det er ikke sikkert, at indikatoren fungerer korrekt, det afhænger af forholdene i kurven.

Indstilling af håndtagets højde

Højden af håndtaget kan indstilles til to niveauer.

1. Hold i det nederste håndtag, og drej derefter knappen 90°, mens du trykker på knappen på det nederste håndtag for at frigøre låsestiften. Udfør den samme procedure på den anden side.

► **Fig.27:** 1. Nederste håndtag 2. Knap

BEMÆRK: Ved at holde i håndtaget er det nemmere at frigøre låsestiften, når du trækker i knappen.

2. Juster håndtagets højde, og drej derefter knappen på begge sider 90°. Sørg for, at knapperne er forsvarligt fastgjort.

► **Fig.28:** 1. Knap

Justering af kørehastigheden

► **Fig.29:** 1. Hastighedsarm

Kørehastigheden kan justeres med hastighedsarmen. For at sænke hastigheden skal du trække armen ind mod dig selv, og for at forøge hastigheden skal du dreje armen fremad.

Brug af komposteringsproppen

Komposteringsproppen giver dig mulighed for at vende det afklippede græs tilbage til jorden uden at samle det afklippede græs i græskurven. Når du anvender maskinen med komposteringsproppen, skal du sørge for at afmontere græskurven eller udledningsskakten.

BEMÆRKNING: Når maskinen anvendes med komposteringsproppen, skal du sørge for, at den samlede længde af græs efter klipning er 30 mm eller mere, og at klippelængden er 15 mm eller mindre.

► **Fig.30:** (1) 30 mm eller mere (2) 15 mm eller mindre

Brug af udledningsskakten

Udledningsskakten giver dig mulighed for at tømme det afklippede græs til jorden fra højre side af maskinen uden at samle det afklippede græs i græskurven. Når du anvender maskinen med udledningsskakten, skal du sørge for at afmontere græskurven og komposteringsproppen.

Brug af bagudledningen

Når du anvender bagudledningen, kan du udlede det afklippede græs til jorden fra bagsiden af maskinen uden at samle det afklippede græs i græskurven. Når du anvender maskinen med hjælp af bagudledningen, skal du sørge for at afmontere komposteringsproppen og græskurven eller udledningsskakten og lukke bagdækslet.

Elektronisk funktion

Maskinen er udstyret med elektroniske funktioner for nem betjening.

- Blød start ved kørsel
Funktionen til blød start minimerer stødet ved start og får maskinen til at starte blødt.
- Elektrisk bremse
Denne maskine er udstyret med en elektrisk bremse. Hvis maskinen konsekvent undlader at stoppe plæneklipperbladene hurtigt, efter afbryderarmen er sluppet, skal maskinen efterses hos et autoriseret Makita-servicecenter.

ANVENDELSE

Klipning

⚠ ADVARSEL: Fjern grene og sten fra klipningsområdet inden klippingen. Fjern også på forhånd alt ukrudt fra klipningsområdet.

⚠ ADVARSEL: Bær altid beskyttelsesbriller eller sikkerhedsbriller med sideafskærmning, når De anvender plæneklipperen.

⚠ FORSIGTIG: Hvis det afklippede græs eller fremmedlegeme blokerer indersiden af plæneklipperens krop, skal du sørge for at afmontere akkuerne og bære handsker, før du fjerner græsset eller fremmedlegemet.

BEMÆRKNING: Brug kun denne maskine til at slå græs. Undlad at klippe ukrudt med maskinen.

► Fig.31

Hold godt fast i håndtaget med begge hænder, når De klipper græs. Retningslinjen for græsklipningshastighed er cirka 7 til 14 meter for hver 10 sekunder.

► Fig.32

BEMÆRK: Når du slå en lang græsplæne eller en tæt græsplæne, skal du sænke klippehastigheden lavere end anbefalet i denne vejledning, eller hæve klippehøjden, hvis der konstateres ujævnheder i længden af græsplænen eller dårlig overflade efter slåning, eller hvis motorhastigheden falder under slåning.

Centerstregerne på forhjulene er retningslinjer for klippebredden. Klip i striber, idet centerstregerne bruges som retningslinjer. Overlap med halvdelen til en tredjedel af den forrige stribe for at klippe plænen jævnt.

► Fig.33: 1. Klipningsbredde 2. Overlappende område 3. Centerstreg

Skift klipningsretning hver gang for at forhindre, at græsmønstret kun dannes i én retning.

► Fig.34

Kontrollér regelmæssigt græskurven for afklippet græs. Tøm græskurven, før den bliver fuld. For hver periodisk kontrol skal du sørge for at stoppe og slukke maskinen.

BEMÆRKNING: Hvis plæneklipperen anvendes med græskurven fuld, kan der ikke opnås problemfri rotation af bladet, og motoren udsættes for ekstra belastning, hvilket kan føre til sammenbrud.

Slåning af lang græsplæne

Undlad at forsøge at slå den lange græsplæne på én gang. I stedet skal du slå græsplænen i trin. Lad der gå en dag eller to mellem slåningerne, indtil plænen bliver ensartet kort.

► Fig.35

BEMÆRK: Hvis du slår en lang græsplæne til kort længde på én gang, kan det medføre, at græsplænen dør. Den afklippede græsplæne kan også blokere indersiden af plæneklipperens krop.

BEMÆRK: Hvis der konstateres ujævnheder i længden af græsplænen eller dårlig overflade efter klipping, eller der konstateres fald i motorhastigheden under klipping, skal du sænke klippehastigheden eller hæve klippehøjden.

Tømning af græskurven

⚠ ADVARSEL: For at reducere risikoen for ulykker skal De med jævne mellemrum efterse græskurven for beskadigelse eller forringet styrke. Udskift om nødvendigt græskurven.

1. Slip afbryderarmen og drevarmen.
2. Sluk for maskinen.
3. Åbn bagdækslet, og tag græskurven ud ved at holde i håndtaget.
► Fig.36: 1. Bagdæksel 2. Håndtag 3. Græskurv
4. Tøm græskurven.

VEDLIGEHOVELSE

⚠ ADVARSEL: Sørg altid for, at alle akkuer er afmonteret fra maskinen, før du opbevarer eller bærer maskinen eller forsøger at udføre inspektion eller vedligeholdelse.

⚠ ADVARSEL: Bær altid handsker under udførelse af inspektion eller vedligeholdelse.

⚠ ADVARSEL: Bær altid beskyttelsesbriller eller sikkerhedsbriller med sideafskærmning, før De foretager inspektion eller vedligeholdelse.

BEMÆRKNING: Anvend aldrig benzin, rensebenzin, fortynder, alkohol og lignende. Det kan medføre misfarvning, deformation eller revner.

For at opretholde produktets SIKKERHED og PÅLIDELIGHED må reparation, vedligeholdelse eller justering kun udføres af et autoriseret Makita servicecenter eller fabrikkerservicecenter med anvendelse af Makita reservedele.

Vedligeholdelse

1. Afmonter alle akkuerne, og luk derefter akku-dækslet.
2. Læg plæneklipperen på siden. Rengør græsafklip, der er samlet på undersiden af plæneklipperdækket.
3. Hæld vand mod bunden af maskinen, hvor bladet er fastgjort.

BEMÆRKNING: Undlad at vaske maskinen med højtryksvand.

4. Kontrollér, at alle møtrikker, bolte, skruer osv. er strammet.

5. Inspicér de bevægelige dele for beskadigelse, brud og slitage. Beskadigede eller manglende dele skal repareres eller udskiftes.

6. Opbevar plæneklipperen på et sikkert sted, der er utilgængeligt for børn.

BEMÆRKNING: Hæld ikke vand på området vist i illustrationen. Hældes der vand på motorenheden, kan det muligvis medføre en funktionsfejl på maskinen.

► Fig.37: 1. Område, hvor der ikke må hældes vand på

BEMÆRKNING: Undlad at hælde vand på maskinen, mens maskinen er i opretstående position som vist på figuren. Hvis maskinen er i den opretstående position, kan vand strømme ned i motorheden og forårsage en funktionsfejl i maskinen.

► Fig.38

Sådan bæres plæneklipperen

⚠FORSIGTIG: Før du bærer plæneklipperen, skal du sørge for, at alle akkuerne er afmonteret.

Når plæneklipperen bæres, holdes i det bageste greb og den nederste holdedel på maskinens forside med to personer som vist i figuren.

► Fig.39: 1. Nederste holdedel 2. Bageste greb

Opbevaring

⚠FORSIGTIG: Når maskinen anbringes i opretstående position, placeres maskinen på en flad og stabil overflade. Hvis maskinen er placeret på en ustabil overflade, kan maskinen vælte og forårsage personskade.

Opbevar plæneklipperen indendørs på et køligt, tørt og aflåst sted. Opbevar ikke plæneklipperen og opladeren på steder, hvor temperaturen kan komme op på eller overstige 40 °C.

1. Afmonter alle akkuerne.

2. Drej knappen 90°, mens du trykker på knappen på det nederste håndtag for at frigøre låsestiften. Udfør den samme procedure på den anden side, og fold derefter håndtaget.

► Fig.40: 1. Knap

BEMÆRK: Ved at holde i håndtaget er det nemmere at frigøre låsestiften, når du trækker i knappen.

3. Drej knappen på begge sider 90°. Sørg for, at knapperne er forsvarligt fastgjort.

► Fig.41: 1. Knap

BEMÆRKNING: Pas på ikke at klemme ledningerne, når håndtaget foldes sammen.

4. Løsn fingermøtrikkerne på begge sider, og fold derefter det øverste håndtag som vist på figuren.

► Fig.42: 1. Fingermøtrik 2. Øverste håndtag

5. Placer maskinen i opretstående position.

BEMÆRK: Når plæneklipperen placeres i opretstående position, skal du ikke holde i håndtaget, men holde i plæneklipperen karosseri og håndtag.

6. Opbevar græskurven som vist på figuren.

► Fig.43: 1. Græskurv

► Fig.44: 1. Græskurv

Afmontering eller montering af plæneklipperbladet

⚠ADVARSEL: Bladet drejer rundt i et par sekunder, efter at afbryderen er frigjort. Undlad at starte nogen betjening, før bladet er standstøt helt.

⚠ADVARSEL: Afmonter altid alle akkuerne, når du afmonterer eller monterer bladet. Hvis du ikke afmonterer alle akkuerne, kan det medføre alvorlig personskade.

⚠ADVARSEL: Brug altid handsker, når De håndterer bladet.

Fjernelse af plæneklipperbladet

1. Læg plæneklipperen på siden, så justeringsarmen til klippehøjden er på oversiden.

2. For at låse bladet skal du indsætte stiften i hullet på plæneklipperens karosseri så langt som muligt.

3. Drej bolten i retningen mod uret med topnøgle 17.

► Fig.45: 1. Plæneklipperblad 2. Stift 3. Topnøgle

4. Fjern bolten og derefter plæneklipperbladet.

► Fig.46: 1. Bladunderstøttelse 2. Plæneklipperblad 3. Bolt 4. Fremspringende del

BEMÆRKNING: Når du monterer plæneklipperbladet, skal du sørge for, at fremspringende dele på bladunderstøttelsen passer ind i hullerne i plæneklipperbladet.

Montering af plæneklipperbladet

⚠ADVARSEL: Monter plæneklipperbladet med forsigtighed. Det har en øverste og nederste flade.

⚠ADVARSEL: Stram bolten godt til i retningen med uret for at fastgøre bladet.

⚠ADVARSEL: Sørg for, at plæneklipperbladet og alle fastgøringsdelene er monteret korrekt og strammet godt til.

⚠ADVARSEL: Følg altid instruktionerne i denne brugsanvisning, når De udskifter bladene.

BEMÆRKNING: Efter montering af plæneklipperbladene skal du fjerne stiften fra plæneklipperens karosseri.

For at montere plæneklipperbladene skal du udføre proceduren for afmontering i modsat rækkefølge.

FEJLFINDING

Udfør selv en inspektion, inden De anmoder om reparation. Hvis du opdager et problem, som ikke er forklaret i brugsanvisningen, må du ikke forsøge at skille maskinen ad. Rådfør Dem i stedet med et autoriseret Makita Servicecenter, og brug altid originale Makita udskiftningsdele til reparationer.

Unormal tilstand	Sandsynlig årsag (fejl)	Afhjælpning
Plæneklipperen starter ikke.	Akkuen er ikke monteret.	Monter den opladede akku.
	Akku-problem (underspænding)	Genoplad akkuen. Udskift akkuen, hvis genopladningen ikke er effektiv.
Motoren stopper efter kort tids brug.	Akkuens ladeniveau er lavt.	Genoplad akkuen. Udskift akkuen, hvis genopladningen ikke er effektiv.
	Klippehøjden er for lav.	Forøg klippehøjden.
	Afskåret græs er tilstoppet i plæneklipperen.	Fjern det tilstoppede græs fra plæneklipperen.
Maks. antal omdrejninger pr. minut (RPM) nås ikke.	Akkuen er ikke sat ordentligt i.	Installér akkuen som beskrevet i denne brugsanvisning.
	Akkuens effekt mindskes.	Genoplad akkuen. Udskift akkuen, hvis genopladningen ikke er effektiv.
	Drivsystemet fungerer ikke korrekt.	Få et lokalt, autoriseret servicecenter til at reparere det.
Plæneklipperbladet roterer ikke: ⇒ Stop øjeblikkeligt plæneklipperen!	Et fremmedlegeme, f.eks. en gren, har sat sig fast i nærheden af bladet.	Fjern fremmedlegemet.
	Drivsystemet fungerer ikke korrekt.	Få et lokalt, autoriseret servicecenter til at reparere det.
Unormal vibration: ⇒ Stop øjeblikkeligt plæneklipperen!	Bladet er ubalanceret, ekstremt eller uensartet slidt.	Skift bladet ud med et nyt.

EKSTRAUDSTYR

⚠ FORSIGTIG: Dette tilbehør og ekstraudstyr er anbefalet til brug med din Makita-maskine, der er beskrevet i denne brugsanvisning. Brug af andet ekstraudstyr eller tilbehør kan medføre risiko for personskade. Brug kun ekstraudstyr eller tilbehør til det formål, det er beregnet til.

Hvis De behøver hjælp ved valg af tilbehør eller ønsker yderligere informationer, bedes De kontakte Deres lokale Makita servicecenter.

- Plæneklipperblad
- Original Makita akku og oplader

BEMÆRK: Nogle ting på denne liste kan være inkluderet i produktpakken som standardtilbehør. De kan være forskellige fra land til land.

SPECIFIKĀCIJAS

Modelis:		LM001G	LM002G
Pļaušanas platums (asmens diametrs)		480 mm	534 mm
Ātrums bez slodzes	Standarta režīms	3 200 min ⁻¹	2 800 min ⁻¹
	Laidena darbība bez slodzes	2 500–3 200 min ⁻¹	2 300–2 800 min ⁻¹
	Trokšņa samazināšanas režīms	2 500 min ⁻¹	2 300 min ⁻¹
Pļaujmašīnas asmens rezerves daļas numurs	Taisns pļaujmašīnas asmens	191V97-3	191V96-5
	Taisns pļaujmašīnas asmens *1	-	191W87-2
	Mulčēšanas asmens	191Y64-6	191Y65-4
Izmēri (G × P × A)	ekspluatācijas laikā	G: 1 670–1 745 mm P: 550 mm A: 965–1 075 mm	G: 1 740–1 810 mm P: 595 mm A: 970–1 080 mm
	glabāšanas laikā (bez zāles groza)	585 mm x 550 mm x 900 mm	580 mm x 595 mm x 930 mm
Pārvietošanās ātrums		1,5–5,0 km/h	
Nominālais spriegums		Līdzstrāva 36 V–40 V maks.	
Neto svars		28,0 - 33,0 kg	29,3 – 34,5 kg
Aizsardzības pakāpe		IPX4	

*1. Pļaujmašīnas asmens efektīvākai zāles savākšanai.

- Nepārtrauktās izpētes un izstrādes programmas dēļ šeit uzrādītās specifikācijas var tikt mainītas bez brīdinājuma.
- Atkarībā no valsts specifikācijas var atšķirties.
- Svars var būt atšķirīgs atkarībā no papildierīces(-ēm), tostarp akumulatora kasetnes. Tabulā ir attēlota vieglākā un smagākā kombinācija atbilstoši EPTA procedūrai 01/2014.

Piemērotā akumulatora kasetne un lādētājs

Akumulatora kasetne	BL4020 / BL4025 / BL4040* / BL4050F* / BL4080F* *: leteicamais akumulators
Lādētājs	DC40RA / DC40RB / DC40RC

- Daži no iepriekš norādītajiem lādētājiem un akumulatora kasetnēm var nebūt pieejami atkarībā no jūsu mītnes reģiona.

⚠ BRĪDINĀJUMS: Izmantojiet vienīgi iepriekš norādītās akumulatora kasetnes un lādētājus. Cita tipa akumulatora kasetņu un lādētāju izmantošana var radīt traumu un/vai aizdegšanās risku.

⚠ BRĪDINĀJUMS: Ar šo darbarīku neizmantojiet strāvas apgādi, kas pievienota ar vadu, piemēram, akumulatora adapteri vai pārnēsājamu barošanas bloku. Šāda veida strāvas apgādes ierīces strāvas vads var traucēt darbību, tādējādi izraisot traumas.

Simboli

Tālāk ir attēloti simboli, kas var attiekties uz darbarīka lietošanu. Pirms darbarīka izmantošanas pārliecinieties, vai pareizi izprotat to nozīmi.

	Esiet īpaši rūpīgs un uzmanīgs.
	Izlasiet lietošanas rokasgrāmatu.
	Bīstami! Sargieties no izvīstiem priekšmetiem.

	Attālumam starp darbarīku un apkārtējiem jābūt vismaz 15 m.
	Neovietojiet rokas un kājas pļaujmašīnas asmeņu tuvumā zem pļaujmašīnas. Pļaujmašīnas asmeņi turpina griezties arī pēc motora izslēgšanas.
	Brīdinājums: pirms veicat apkopi, atvienojiet akumulatoru.
	Ar elektrību saistīts risks. Saskare ar ūdeni var izraisīt elektriskās strāvas triecienu.
	Neļejiet virsū ūdeni.



Tikai ES valstīm
Tā kā šajā aprīkojumā ir bīstamas sastāvdaļas, elektrisko un elektronisko iekārtu, akumulatoru un bateriju atkritumi var negatīvi ietekmēt apkārtējo vidi un cilvēka veselību.

Elektroierīces, elektroniskās ierīces un akumulatorus nedrīkst izmest kopā ar mājsaimniecības atkritumiem!
Saskaņā ar Eiropas direktīvu par elektrisko un elektronisko iekārtu atkritumiem, akumulatoriem un baterijām, kā arī akumulatoru un bateriju atkritumiem un šīs direktīvas pielāgošanu valsts tiesību aktiem elektrisko un elektronisko iekārtu, bateriju un akumulatoru atkritumi ir jāglabā atsevišķi un jānogādā uz sadzīves atkritumu dalītās savākšanas vietu, ievērojot attiecīgos vides aizsardzības noteikumus.
Par to liecina uz iekārtas redzams simbols ar pārsvītrotu atkritumu konteineru uz rītiņiem.



Garantētais skaņas jaudas līmenis saskaņā ar ES Direktīvu par troksni ārpus telpām.



Skaņas jaudas līmenis saskaņā ar Austrālijas NSW trokšņu kontroles noteikumiem

Paredzētā lietošana

Šī mašīna ir paredzēta zāles pļaušanai.

Trokšņa līmenis

Tipiskais A svērtais trokšņa līmenis noteikts saskaņā ar EN62841-4-3:

Modelis LM001G

Izmērītais skaņas jaudas līmenis (L_{WA}): 91 dB (A)
Garantētais skaņas jaudas līmenis (L_{WA}): 94 dB (A)
Skaņas spiediena līmenis (L_{pA}): 81 dB (A)
Skaņas spiediena līmeņa nenoteiktība (K): 3 dB (A)

Modelis LM002G

Izmērītais skaņas jaudas līmenis (L_{WA}): 91 dB (A)
Garantētais skaņas jaudas līmenis (L_{WA}): 94 dB (A)
Skaņas spiediena līmenis (L_{pA}): 81 dB (A)
Skaņas spiediena līmeņa nenoteiktība (K): 3 dB (A)

PIEZĪME: Paziņotā trokšņa emisijas vērtība noteikta atbilstoši standarta pārbaudes metodei, un to var izmantot, lai salīdzinātu vienu darbarīku ar citu.

PIEZĪME: Paziņoto trokšņa emisijas vērtību arī var izmantot iedarbības sākotnējā novērtējumā.

▲BRĪDINĀJUMS: Lietojiet ausu aizsargus.

▲BRĪDINĀJUMS: Trokšņa emisija patiesos darba apstākļos var atšķirties no paziņotās vērtības atkarībā no darbarīka izmantošanas veida un jo īpaši atkarībā no apstrādājamā materiāla veida.

▲BRĪDINĀJUMS: Lai aizsargātu lietotāju, nosakiet drošības pasākumus, kas pamatoti ar iedarbību reālos darba apstākļos (ņemot vērā visus ekspluatācijas cikla posmus, piemēram, laiku, kamēr darbarīks ir izslēgts un kad darbojas tukšgaitā, kā arī palaides laiku).

Vibrācija

Vibrācijas kopējā vērtība (trīsasu vektora summa) noteikta atbilstoši EN62841-4-3:

Modelis LM001G

Vibrācijas izmete (a_h): 2,5 m/s² vai mazāk
Mainīgums (K): 1,5 m/s²

Modelis LM002G

Vibrācijas izmete (a_h): 2,5 m/s² vai mazāk
Mainīgums (K): 1,5 m/s²

PIEZĪME: Paziņotā kopējā vibrācijas vērtība noteikta atbilstoši standarta pārbaudes metodei, un to var izmantot, lai salīdzinātu vienu darbarīku ar citu.

PIEZĪME: Paziņoto kopējo vibrācijas vērtību arī var izmantot iedarbības sākotnējā novērtējumā.

▲BRĪDINĀJUMS: Vibrācijas emisija patiesos darba apstākļos var atšķirties no paziņotās vērtības atkarībā no darbarīka izmantošanas veida un jo īpaši atkarībā no apstrādājamā materiāla veida.

▲BRĪDINĀJUMS: Lai aizsargātu lietotāju, nosakiet drošības pasākumus, kas pamatoti ar iedarbību reālos darba apstākļos (ņemot vērā visus ekspluatācijas cikla posmus, piemēram, laiku, kamēr darbarīks ir izslēgts un kad darbojas tukšgaitā, kā arī palaides laiku).

EK atbilstības deklarācija

Tikai Eiropas valstīm

EK atbilstības deklarācija šajā lietošanas rokasgrāmatā ir iekļauta kā A pielikums.

DROŠĪBAS BRĪDINĀJUMI

Vispārīgi elektrisko darbarīku drošības brīdinājumi

▲BRĪDINĀJUMS: Izlasiet visus drošības brīdinājumus, instrukcijas, apskatiet ilustrācijas un tehniskos datus, kas iekļauti mehānizētā darbarīka komplektācijā. Ja netiek ievēroti visi tālāk minētie noteikumi, var tikt izraisīta elektrotrauma, notikt aizdegšanās un/vai rasties smagas traumas.

Glabājiet visus brīdinājumus un norādījumus, lai varētu tajos ieskatīties turpmāk.

Termins „elektrisks darbarīks” brīdinājumos attiecas uz tādu elektrisko darbarīku, ko darbina ar elektrību (ar vadu), vai tādu, ko darbina ar akumulatoru (bez vada).

Bezvada zāles pļaujmašīnas lietošanas drošības noteikumi

1. Neizmantojiet zāles pļaujmašīnu sliktos laikapstākļos, jo īpaši laikā, kad iespējams zibens. Tādējādi samazinās zibens trieciena risks.

2. **Rūpīgi pārbaudiet, vai vietā, kurā izmantosit zāles pļaujmašīnu, nav savvaļas dzīvnieku.** Zāles pļaujmašīnas izmantošanas laikā var savainot savvaļas dzīvniekus.
3. **Rūpīgi pārbaudiet vietu, kurā izmantosit zāles pļaujmašīnu, un atīriet to no visiem akmeņiem, zariem, vadiem, kauliem un citiem svešķermeņiem.** Objekti, kas atslitas, var radīt traumu.
4. **Pirms izmantojot zāles pļaujmašīnu, vienmēr apskatiet, vai asmens un asmens mezgls nav nodilis vai bojāts.** Nodilušas vai bojātas detaļas var paaugstināt traumu gūšanas risku.
5. **Regulāri pārbaudiet, vai zāles uztvērējs nav nodilis vai nolietojies.** Nodilis vai bojāts zāles uztvērējs var paaugstināt traumu gūšanas risku.
6. **Sargiem vienmēr jāatrodas paredzētajās vietās.** Lai varētu pareizi uzmontēt sargus, tiem jābūt darba kārtībā. Ja sargs uzstādīts vaļīgi, ir bojāts vai nedarbojas pareizi, var rasties traumas.
7. **Raugieties, lai dzesēšanas gaisa iepļūdes atveres nebūtu bloķētas.** Ja gaisa iepļūdes atveres ir aizklātas, zāles pļaujmašīna var pārkarst un aizdegties.
8. **Strādājot ar zāles pļaujmašīnu, vienmēr valkājiet neslidošus aizsargapavus.** Nestrādājiet ar zāles pļaujmašīnu, ja jums kājās nav apavu vai valkājāt atvērtas sandales. Tādējādi samazināsies kāju savainošanas risks, tām saskaroties ar kustīgu asmeni.
9. **Strādājot ar zāles pļaujmašīnu, vienmēr valkājiet garās bikses.** Ja āda nav apklāta, ir lielāka varbūtība savainoties ar atlecošiem objektiem.
10. **Neizmantojiet zāles pļaujmašīnu slapjā zālē.** Pārvietojieties ejot, nekad neskrieniet. Tādējādi būs mazāks risks paslidēt un pakrist, kas varētu radīt traumas.
11. **Neizmantojiet zāles pļaujmašīnu pārāk stāvās nogāzēs.** Tādējādi būs mazāks risks zaudēt kontroli, paslidēt un pakrist, kas varētu radīt traumas.
12. **Strādājot uz nogāzēm, vienmēr nodrošiniet kāju atbalstu, vienmēr strādājiet šķērsvirzienā nogāzes slīpumam, bet nekad virzienā uz leju vai uz augšu, un ievērojiet īpašu piesardzību, mainot virzienu.** Tādējādi būs mazāks risks zaudēt kontroli, paslidēt un pakrist, kas varētu radīt traumas.
13. **Esiet īpaši uzmanīgi, apgriežot zāles pļaujmašīnu vai velkot to pret sevi.** Vienmēr apzinieties, kas jums ir apkārt. Tādējādi, izmantojot zāles pļaujmašīnu, samazināsies pakļupšanas risks.
14. **Nepieskarieties asmeņiem un kustīgām bīstamām detaļām, kamēr tās kustas.** Tādējādi samazinās risks gūt traumas no kustīgām detaļām.
15. **Tīrot iestrēgušus materiālus vai tīrot zāles pļaujmašīnu, raugieties, lai visi slēdži būtu izslēgti un akumulatora kasetne atvienota.** Negaidīta zāles pļaujmašīnas ieslēgšanās var izraisīt smagas traumas.

⚠BRĪDINĀJUMS: NEPIEĻAUJIET to, ka labu iemaņu un izstrādājuma labas pārziņāšanas (darbarīku atkārtoti ekspluatējot) rezultātā vairs stingri neievērojot šī izstrādājuma drošības noteikumus.

NEPAREIZI LIETOJOT darbarīku vai neievērojot šajā instrukciju rokasgrāmatā minētos drošības noteikumus, var tikt gūtas smagas traumas.

SVARĪGI DROŠĪBAS NOTEIKUMI

⚠BRĪDINĀJUMS: Izlasiet visus drošības brīdinājumus un visus norādījumus. Brīdinājumu un norādījumu neievērošanas gadījumā var rasties elektriskās strāvas trieciens, ugunsgrēks un/vai nopietnas traumas.

Glabājiet visus brīdinājumus un norādījumus, lai varētu tajos ieskatīties turpmāk.

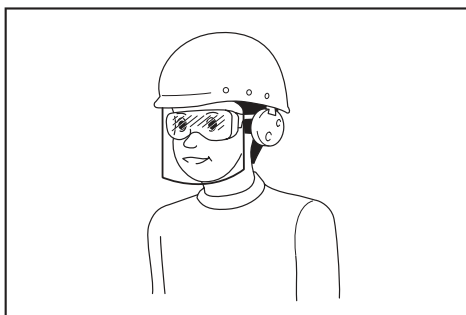
Apmācība

1. **Uzmanīgi izlasiet norādījumus.** Izprotiet pļaujmašīnas vadības funkcijas un pareizas izmantošanas instrukcijas.
2. **Nekādā gadījumā nepieļaujiet, ka zāles pļaujmašīnu izmanto bērni vai cilvēki, kas nepazīna šos norādījumus pļaujmašīnas izmantošanai.** Vietējie noteikumi var ierobežot lietotāja vecumu.
3. **Nekādā gadījumā nestrādājiet ar pļaujmašīnu, ja tuvumā ir cilvēki (īpaši bērni) vai dzīvnieki.**
4. **Nemiet vērā, ka operators vai lietotājs ir atbildīgs par negadījumiem vai apdraudējumu, kas radīts citiem cilvēkiem vai to īpašumam.**
5. **Bērni ir jāuzrauga, lai tie nerotaļātos ar pļaujmašīnu.**
6. **Fiziskais stāvoklis — nedarbiniet pļaujmašīnu, ja esat narkotiku, alkohola vai zāļu ietekmē.**

Sagatavošanās

1. **Izmantojot pļaujmašīnu, vienmēr valkājiet izturīgus apavus un garās bikses.** Nelietojiet pļaujmašīnu, ja kājas ir basas vai valkājāt atvērtas sandales. Nevalkājiet apģērbu vai rotaslietas, kas ir vaļīgas vai kam ir auklas vai saites. Tās var iekļerties kustīgajās daļās.
2. **Pirms lietošanas vienmēr pārbaudiet, vai pļaujmašīnas aizsargi vai vairogi nav bojāti, pazuduši vai uzstādīti nepareizi.**
3. **Pirms pļaušanas pārbaudiet, vai darba zonā nav citu cilvēku.** Apturiet pļaujmašīnu, ja kāds ienāk darba zonā.
4. **Kad izmantojat mehāniskos darbarīkus, vienmēr valkājiet aizsargbrilles, lai pasargātu acis.** Aizsargbrillēm jāatbilst šādiem standartiem: ANSI Z87.1 ASV, EN 166 Eiropā un AS/NZS 1336 Austrālijā/Jaunzēlandē. Austrālijā/Jaunzēlandē ar likumu noteikts, ka darba laikā jāizmanto arī sejsargs.

SAGLABĀJIET ŠOS NORĀDĪJUMUS.



Darba devējam ir jānodrošina tas, lai darbarīka operatori un citas tiešajā darba vietā esošās personas izmantotu vajadzīgo aizsargaprīkojumu.

5. Pirms ekspluatācijas rūpīgi pārbaudiet, vai asmeņiem vai asmeņu bulkskrūvēm nav plaisu vai bojājumu. Ieplaisājušus vai bojātus asmeņus vai asmeņu bulkskrūves nekavējoties nomainiet.
6. Pirms pļaušanas atīriet darba zonu no svešķermeņiem, piemēram, akmeņiem, stieplēm, pudelēm, kauliem un lieliem zariem, lai nevienu netraumētu un nesabojātu pļaujmašīnu.
7. Pļaujmašīnas asmens aizķertie priekšmeti var izraisīt smagas traumas. Pirms pļaušanas vienmēr rūpīgi pārbaudiet, vai zālienā nav svešķermeņu.
8. Uzmanieties no bedrēm, grambām, uzkalniņiem, akmeņiem un grūti pamanāmiem priekšmetiem. Strādājot uz nelīdzenas virsmas, varat paslīdēt un nokrist, tādējādi gūstot traumas. Garā zālē var būt grūti pamanāmi šķēršļi.
9. Izmantojiet individuālos aizsardzības līdzekļus. Vienmēr lietojiet aizsargbrilles. Attiecīgos apstākļos lietojot aizsarglīdzekļus, piemēram, putekļu masku, aizsargapavus ar neslidošu zoli, aizsargķiveri un ausu aizsargus, mazināsiet traumu risks.

Ekspluatācija

1. Nesniedzieties pārāk tālu. Vienmēr saglabājiet līdzsvaru. Strādājot nogāzē, raugieties, lai kāju atbalsts būtu stabils. Pārvietojieties ejot, nekad neskrieniet.
2. Apturiet pļaujmašīnu, izslēdziet mašīnu un pārliecinieties, vai visas kustīgās daļas ir pilnībā apstājušās:
 - ja atstājat pļaujmašīnu bez uzraudzības;
 - pirms nosprostojumu tīrīšanas vai izlaides teknes tīrīšanas;
 - pirms pļaujmašīnas pārbaudīšanas, tīrīšanas vai remontēšanas;
 - pēc sadursmes ar kādu priekšmetu.
 Pārbaudiet, vai pļaujmašīnai nav bojājumu, un pirms pļaujmašīnas atkārtotas iedarbināšanas un lietošanas veiciet remontu,
 - ja pļaujmašīna sāk neparasti vibrēt.
3. Nekādā gadījumā nelietojiet pļaujmašīnu, ja bojāti tās aizsargi vai virogi vai ja nav uzstādītas drošības ierīces, piemēram, deflektori un/ vai zāles grozs.

4. Neizmantojiet pļaujmašīnu sliktos laikapstākļos, jo īpaši laikā, kad iespējams zibens.
5. Strādājot ar pļaujmašīnu, vienmēr izmantojiet acu aizsarglīdzekļus un valkājiet izturīgus apavus.
6. Pļaujmašīnu izmantojiet tikai dienas gaismā vai labā mākslīgajā apgaismojumā.
7. Pļaujmašīnu iedarbiniet uzmanīgi saskaņā ar norādījumiem un netuvinot pēdas asmenim(-ņiem).
8. Uzmanieties, lai pļaujmašīnas asmens nesavainotu jūsu kājas un rokas.
9. Vienmēr nodrošiniet, lai ventilācijas atverēs nebūtu netīrumu.
10. Pļaujiet slīpi pāri nogāzei, nekad nepļaujiet uz augšu vai uz leju. Mainot virzienu nogāzēs, uzmanieties īpaši. Nepļaujiet pārāk stāvas nogāzes.
11. Īpaši uzmanieties, strādājot atpakaļgaitā vai velkot pļaujmašīnu pie sevis.
12. Apturiet asmeni(-ņus), ja pļaujmašīna ir jāsasver, pārvietojot vai šķērsojot virsmu, kas nav zāle, kā arī pārvietojot pļaujmašīnu uz pļaušanas vietu un no tās.
13. Iedarbinot motoru, nesasveriet pļaujmašīnu, ja tikai tas nav jādara, lai tā sāktu darboties. Šādā gadījumā nesasveriet to vairāk, kā nepieciešams, un paceliet tikai to daļu, kas nav lietojama tuvumā. Pirms pļaujmašīnas novietošanas atpakaļ uz zemes vienmēr pārliecinieties, ka abas rokas atrodas darba pozīcijā.
14. Plaukstas vai pēdas nelieciet rotējošo detaļu tuvumā vai zem tām. Nekad nestāviet izvades atvēruma tuvumā.
15. Netransportējiet pļaujmašīnu, ja tā ir ieslēgta.
16. Nelietojiet pļaujmašīnu mitrā zālē.
17. Rokturi vienmēr turiet cieši.
18. Paceļot vai turot pļaujmašīnu, nesatveriet to aiz asmeņiem.
19. Rokas un kājas netuviniet rotējošiem asmeņiem. Uzmanību! Asmeņi turpina griezties arī pēc pļaujmašīnas ieslēgšanas.
20. Ja ievērojat ko neparastu, nekavējoties pārtrauciet darbu. Izslēdziet pļaujmašīnu. Pēc tam pārbaudiet pļaujmašīnu.
21. Ja pļaujmašīnai ir griešanas augstuma regulēšanas funkcija, nekad nemēģiniet regulēt griešanas augstumu, kamēr pļaujmašīna darbojas.
22. Pirms piebraucamo ceļu, taku, ceļu un ar granti klātu vietu šķērsošanas atļaidiet slēdža sviru un ļaujiet asmenim apstāties. Turklāt arī izslēdziet pļaujmašīnu, ja atstājat to, sniedzaties kaut ko pacelt vai cenšaties noņemt kādu šķērslī, kā arī citu apstākļu gadījumā, kas neļauj pilnībā koncentrēties veicamajam darbam.
23. Ja pļaujmašīna trāpa kādam objektam, rīkojieties šādi:
 - Apturiet pļaujmašīnu, atļaidiet slēdža sviru un uzgaidiet, līdz asmens pilnībā apstājas.
 - Izmēriet akumulatora kasetni.
 - Rūpīgi pārbaudiet, vai pļaujmašīnai nav bojājumu.
 - Nomainiet asmeni, ja tas ir bojāts. Bojājumu novērsiet pirms pļaujmašīnas atkārtotas iedarbināšanas un turpināšanas.

24. Neiedarbiniet plaujmašīnu, ja stāvat pretī izvades atvērūmam.
25. Ja plaujmašīna sāk neparasti vibrēt (nekavējoties pārbaudiet)
 - pārbaudiet, vai nav bojājumu;
 - nomainiet vai saremontējiet bojātas daļas;
 - pārbaudiet un pieskrūvējiet vaļiņas detaļas.
26. Nekad nevērsiet izvadīto materiālu pret citiem cilvēkiem. Materiālu nedrīkst izvadīt pret sienu vai kādu citu šķērslī. Materiāls pēc rīkošeta var lidot operatora virzienā. Šķērsojot akmeņainas virsmas, apstādiniet asmeni.
27. Nevelciet plaujmašīnu atpakaļgaitā, ja tikai tas nav absolūti nepieciešams. Ja esat spiests vilkt plaujmašīnu atpakaļgaitā prom no žoga vai cita šķēršļa, vispirms un arī kustības laikā skatieties uz leju un aizmuguri.
28. Pirms zāles uztvērēja izņemšanas izslēdziet motoru un uzgaidiet, līdz asmens ir pilnībā apstājies. Ņemiet vērā, ka asmens pēc izslēgšanas turpina kustēties inerces dēļ.
29. Izmantojot ierīci dubļainā vietā, uz mitras sliņas virsmas vai slidēnā vietā, raugieties, lai kājām būtu stabils atbalsts.
30. Negremdējiet ierīci peļķē.
31. Darbarīka izmantošanas laikā pievērsiet uzmanību caurulēm un vadiem.

Apkope un glabāšana

1. Drošības nolūkā nomainiet nodilušas vai nolietotas daļas. Izmantojiet tikai oriģinālās rezerves daļas un piederumus.
2. Regulāri pārbaudiet plaujmašīnu un veiciet tās apkopi.
3. Kad plaujmašīnu neizmantojat, glabājiet to bērniem nepieejamā vietā.
4. Visus uzgriežņus, bulvskrūves un skrūves uzturiet cieši pievilkts, lai aprikojums aizvins būtu drošā darba stāvoklī.
5. Regulāri pārbaudiet, vai zāles grozs nav nodilis vai nolietojies. Kad ierīci liekat glabāšanā, pārbaudiet, vai zāles grozs ir tukšs. Nodilušu zāles grozu drošības nolūkā nomainiet pret jaunu rūpnīcas rezerves grozu.
6. Izmantojiet tikai šajā rokasgrāmatā norādītos ražotāja oriģinālos asmeņus.
7. Uzmaniēties, regulējot plaujmašīnu, lai pirksti neiesprūstu starp ierīces kustīgajiem asmeņiem un fiksētajām daļām.
8. Bieži pārbaudiet, vai stiprinājuma skrūve pievilktā pietiekami cieši.
9. Pirms novietošanas glabātavā ļaujiet plaujmašīnai atdzist.
10. Veicot asmeņu apkopi, ņemiet vērā, ka, lai gan barošanas avots ir izslēgts, asmeņus joprojām var pārvietot.
11. Nekad neizņemiet un neizjauciet drošības ierīces. Regulāri pārbaudiet, vai tās darbojas pareizi. Nekad neveiciet darbības, kas varētu traucēt drošības ierīces darbību vai samazināt aizsardzību, ko sniedz drošības ierīce.
12. Lietus laikā neatstājiet plaujmašīnu ārpus telpām bez uzraudzības.
13. Novietojot ierīci glabāšanai, izvairieties no tiešiem saules stariem un lietus un novietojiet to vietā, kur nekļūst karsts vai mitrs.

Bezvada darbarīka lietošana un apkope

1. Uzlādei izmantojiet tikai ražotāja norādītos lādētājus. Vienam akumulatoru tipam paredzēta uzlādētāja izmantošana cita tipa akumulatoru uzlādei var radīt aizdegšanās bīstamību.
2. Izmantojiet mehānizētos darbarīkus tikai ar paredzētajiem akumulatoriem. Jebkura cita tipa akumulatoru izmantošana var radīt traumu un aizdegšanās bīstamību.
3. Kamēr akumulators netiek izmantots, neturiet to blakus metāla priekšmetiem, piemēram, saspaudēm, monētām, atslēgām, naglām, skrūvēm un citiem nelieliem metāla priekšmetiem, kas var savienot izvadus. Akumulatora spalju īssavienojums var izraisīt apdegumus vai aizdegšanos.
4. Nepareizas lietošanas gadījumā no akumulatora var izteciēt šķidrums, nepieskarieties tam. Ja nejausi pieskārties šķidrumam, noskalojiet skarto vietu ar ūdeni. Ja šķidrums nokļūst acīs, papildus iepriekš minētajam, vērsieties pie ārsta. No akumulatora izteciējušais šķidrums var izraisīt kairinājumu vai apdegumus.
5. Ja akumulatora bloks vai darbarīks ir bojāts vai pārveidots, nelietojiet to. Bojāti vai pārveidoti akumulatori var darboties nepareizi, izraisot aizdegšanos, sprādzienu vai traumu.
6. Akumulatora bloku un darbarīku nepakļaujiet uguns un pārmērīgi augstas temperatūras ietekmei. Ja akumulatora bloks vai darbarīks tiek pakļauts uguns vai par 130 °C augstākas temperatūras iedarbībai, var notikt sprādziens.
7. Izpildiet visus uzlādes norādījumus un neuzlādējiet akumulatora bloku ārpus norādītajam noteiktā temperatūras diapazonā. Nepareiza uzlāde vai temperatūra, kas ir ārpus noteiktā diapazonā, var sabojāt akumulatoru un palielināt aizdegšanās draudus.

Elektrodrošība un akumulatora drošība

1. Neatbrīvojieties no akumulatora(-iem), to(-s) dedzinot. Var rasties eksplozija. Skatiet attiecīgos valsts noteikumus, lai uzzinātu īpašus norādījumus izmešanai atkritumos.
2. Akumulatoru(-s) nedrīkst atvērt vai sabojāt. Izteciējušais elektrolīts ir kodīgs un var nodarīt kaitējumu acīm vai ādai. Norijot tas var būt toksisks.
3. Nelādējiet akumulatoru lietū vai mitrās vietās.
4. Nelādējiet akumulatoru ārpus telpām.
5. Neaiztieciē lādētāju, kā arī lādētāja spraudni vai spaiļes ar slapjām rokām.
6. Neveiciet akumulatora nomaņu lietū.
7. Nesamitriniet izvadu vai akumulatoru ar šķidrumu, piemēram, ūdeni, vai neiegremdējiet akumulatoru. Neatstājiet akumulatoru lietū, kā arī nelādējiet, neizmantojiet vai neglabājiet akumulatoru mitrā vai slapjā vietā. Ja izvads kļūst mitrs vai akumulatorā iekļūst šķidrums, akumulatorā var rasties īsslēgums un pastāv pārkāšanas, aizdegšanās vai sprādziena risks.
8. Pēc akumulatora izņemšanas no ierīces vai lādētāja raugieties, lai akumulatora vāks tiek piestiprināts pie akumulatora, un glabājiet to sausā vietā.
9. Nomainiet akumulatoru ar mitrām rokām.

10. Izvairieties no bīstamas vides. Neizmantojiet ierīci mitrās vai slapjās vietās vai neatstājiet to lietū. Ja ierīcē iekļūš ūdens, palielināsies elektriskā trieciena risks.
11. Ja akumulatora kasetnē iekļūst ūdens, noteiciniet ūdeni un izslaukiet kasetni ar sausu drānu. Pirms lietošanas pilnībā nožāvējiet akumulatora kasetni sausā vietā.

Apkope

1. Uzticiet sava elektriskā darbarīka apkopi kvalificētam remontstrādniekam, izmantojiet tikai identiskas rezerves daļas. Tas garantēs to, ka elektriskā darbarīka drošības pakāpe nesamazināsies.
2. Nekādā gadījumā nelietojiet bojātus akumulatora blokus. Akumulatora bloka apkopi drīkst veikt tikai to ražotājs vai pilnvaroti apkopes centri.

SAGLABĀJIET ŠOS NORĀDĪJUMUS.

▲BRĪDINĀJUMS: NEPIELĀUJIET to, ka labu iemaņu vai izstrādājuma labas pārzināšanas (darbarīku atkārtoti ekspluatējot) rezultātā vairs stingri neievērojat šī izstrādājuma drošības noteikumus.

NEPAREIZI LIETOJOT darbarīku vai neievērojot šajā instrukciju rokasgrāmatā minētos drošības noteikumus, var tikt gūtas smagas traumas.

Svarīgi drošības norādījumi par akumulatora kasetni

1. Pirms akumulatora lietošanas izlasiet visus norādījumus un brīdinājumus, kuri attiecas uz (1) akumulatora lādētāju, (2) akumulatoru un (3) ierīci, kurā tiek izmantots akumulators.
2. Akumulatora kasetni nedrīkst ne pārveidot, ne izjaukt. Citādi var tikt izraisīta aizdegšanās, pārmērīgs karstums vai sprādziens.
3. Ja akumulatora darbības laiks kļūva ievērojami īsāks, nekavējoties pārtrauciet to izmantot. Citādi, tas var izraisīt pārkarsējumu, uzliesmojumu vai pat sprādzienu.
4. Ja elektrolīts nonāk acīs, izskalojiet tās ar tīru ūdens un nekavējoties griezieties pie ārsta. Tas var izraisīt redzes zaudēšanu.
5. Neradiet īssavienojumu akumulatora kasetnē:
 - (1) Nepieskarieties spailēm ar elektrību vadošiem materiāliem.
 - (2) Neuzglabājiet akumulatoru kasetni kopā ar citiem metāla priekšmetiem, tādiem kā naglas, monētas u. c.
 - (3) Nepakļaujiet akumulatora kasetni ūdens vai lietus iedarbībai.
6. Neglabājiet un neizmantojiet darbarīku un akumulatora kasetni vietās, kur temperatūra var sasniegt vai pārsniegt 50 °C (122 °F).
7. Nededziniet akumulatora kasetni, pat ja tā ir stipri bojāta vai pilnībā nolietota. Akumulatora kasetne uguni var eksplodēt.
8. Akumulatora kasetni nedrīkst naglot, griezt, saspīst, mest vai nomest, kā arī pa to nedrīkst sist ar cietu priekšmetu. Šādas darbības var izraisīt aizdegšanos, pārmērīgu karstumu vai sprādzienu.
9. Neizmantojiet bojātu akumulatoru.
10. Uz izmantotajiem lītiņa jonu akumulatoriem attiecas likumdošanas prasības par bīstamiem izstrādājumiem. Komerציāla transportēšanā, ko veic, piemēram, trešās puses, transporta uzņēmumi, jāievēro uz iesaiņojuma un marķējuma norādītās īpašās prasības. Lai izstrādājumu sagatavotu nosūtīšanai, jāsažinās ar bīstamo materiālu speciālistu. Ievērojiet arī citus attiecināmos valsts normatīvus. Vaļējus kontaktus nosedziet ar līmlenti vai citādi pārklājiet, bet akumulatoru iesaiņojiet tā, lai sānī tas nevarētu izkustēties.
11. Lai utilizētu akumulatora kasetni, izņemiet to no darbarīka un likvidējiet drošā vietā. Ievērojiet vietējos noteikumus par akumulatora likvidēšanu.
12. Izmantojiet šos akumulatorus tikai ar izstrādājumiem, kurus norādījis Makita. Ievietojot šos akumulatorus nesaderīgos izstrādājumos, var rasties ugunsgrēks, pārmērīgs karstums, tie var uzsprāgt vai no tiem var iztecēt elektrolīts.
13. Ja darbarīks netiks lietots ilgu laiku, no tā jāizņem akumulators.
14. Lietošanas laikā vai pēc tās akumulatora kasetne var uzkrāt siltumu, kas var izraisīt apdegumus vai zemas temperatūras apdegumus. Ar karstu akumulatora kasetni apejieties rūpīgi.
15. Nepieskarieties darbarīka izvadam uzreiz pēc lietošanas, jo tas var būt sakarsis un izraisīt apdegumus.
16. Neļaujiet akumulatora kasetnes spailēm, atverēs un rievās uzkrāties skaidām, putekļiem vai netīrumiem. Tas var izraisīt sasilšanu, aizdegšanos, sprādzienu un instrumenta vai akumulatora kasetnes nepareizu darbību, un lietotājs var gūt apdegumus vai ievainojumus.
17. Neizmantojiet akumulatora kasetni augstsprieguma līniju tuvumā, izņemot gadījumus, kad darbarīks ir piemērots lietošanai augstsprieguma līniju tuvumā. Citādi darbarīks vai akumulatora kasetne var sākt darboties nepareizi vai tikt sabojāti.
18. Glabājiet akumulatoru bērniem nepieejamā vietā.

SAGLABĀJIET ŠOS NORĀDĪJUMUS.

▲UZMANĪBU: Lietojiet tikai oriģinālos Makita akumulatorus. Ja lietojat neoriģinālus Makita akumulatorus vai pārveidotus akumulatorus, tie var uzsprāgt un izraisīt aizdegšanos, traumas un materiālos zaudējumus. Tikš anulēta arī Makita darbarīka un lādētāja garantija.

Ieteikumi akumulatora kalpošanas laika pagarināšanai

1. Uzlādējiet akumulatora kasetni, pirms tā ir pilnībā izlādējusies. Vienmēr, kad ievērojat, ka darbarīka darba jauda zudusi, apturiet darbarīku un uzlādējiet akumulatora kasetni.
2. Nekad neuzlādējiet pilnībā uzlādētu akumulatora kasetni. Pārmērīga uzlāde saīsina akumulatora kalpošanas laiku.
3. Uzlādējiet akumulatora kasetni istabas temperatūrā 10 °C - 40 °C. Karstai akumulatora kasetnei pirms uzlādes ļaujiet atdzist.
4. Kad akumulatora kasetne netiek izmantota, izņemiet to no darbarīka vai lādētāja.
5. Uzlādējiet litija jonu akumulatora kasetni, ja to ilgstoši nelietosiet (vairāk nekā sešus mēnešus).

MONTĀŽA

▲BRĪDINĀJUMS: Pirms jebkādu darbu veikšanas ar ierīci obligāti pārbaudiet, vai visas akumulatora kasetnes ir izņemtas. Ja visas akumulatora kasetnes nav izņemtas, ierīces nejausa ieslēgšanās var izraisīt nopietnus ievainojumus.

▲BRĪDINĀJUMS: Neieslēdziet plaujmašīnu, ja tā nav pilnībā salikta. Nejauši ieslēdzot daļēji saliktu plaujmašīnu, var gūt smagas traumas.

Roktura uzstādīšana

IEVĒRĪBAI: Uzstādot rokturus, raugieties, lai neiespiestu vadu starp rokturiem. Ja vads ir bojāts, plaujmašīnas slēdzis, iespējams, nedarbosies.

1. Savietojiet atveri apakšējā rokturī ar atveri augšējā rokturī, ievietojiet bultskrūvi no ārpuses un tad pievelciet spārnuzgriezni no iekšpusē. Šādu procedūru veiciet arī otrā pusē.
▶ **Att.1:** 1. Bultskrūve 2. Spārnuzgrieznis 3. Apakšējais rokturis 4. Augšējais rokturis
2. Pagrieziet kloķi par 90°, vienlaikus velkot apakšējā roktura kloķi, lai atbrīvotu bloķēšanas tapu. Šādu procedūru veiciet arī otrā pusē. Paceliet rokturi un pēc tam pagrieziet kloķi abās pusēs par 90°. Pārliecinieties, ka kloķi ir stingri nofiksēti.
▶ **Att.2:** 1. Kloķis

PIEZĪME: Atbalstot rokturi, kloķa vilkšanas laikā ir vieglāk atbrīvot bloķēšanas tapu.

PIEZĪME: Griežot kloķi, raugieties, lai tajā neiespiestu auklu.

- ▶ **Att.3:** 1. Kloķis

Mulčēšanas spraudņa noņemšana

1. Atveriet aizmugurējo pārsegu.
▶ **Att.4:** 1. Aizmugurējais pārsegs
2. Mazliet paceliet mulčēšanas spraudni un pēc tam izņemiet to.
▶ **Att.5:** 1. Mulčēšanas spraudnis

Zāles groza montāža

1. Paceliet zāles groza augšējo skavu.
▶ **Att.6:** 1. Augšējā skava
2. Ievietojiet rāmi zāles grozā līdz galam, turot rāmja rokturi.
▶ **Att.7:** 1. Rokturis

IEVĒRĪBAI: Neievietojiet rokturi zāles grozā. Pārliecinieties, vai ievietojat rāmi gar zāles groza šuvi.

3. Pārliecinieties, vai zāles groza stūri nav ieliekušies.
▶ **Att.8**
4. Atveriet augšējo skavu un piestipriniet to rāmim.
▶ **Att.9**
5. Pievienojiet visas pārējās skavas, kā parādīts attēlā. Pārliecinieties, vai visi skavas ir droši piestiprinātas pie rāmja.
▶ **Att.10:** 1. Skava

Zāles groza uzstādīšana vai noņemšana

Lai uzstādītu zāles grozu, rīkojieties, kā norādīts tālāk.

1. Atveriet aizmugurējo pārsegu.
▶ **Att.11:** 1. Aizmugurējais pārsegs
2. Turiet zāles groza rokturi un uzāķējiet zāles grozu uz plaujmašīnas korpusa stieņa, kā redzams attēlā.
▶ **Att.12:** 1. Zāles grozs 2. Rokturis 3. Stienis

Lai noņemtu zāles grozu, atveriet aizmugurējo pārsegu un, turot aiz roktura, noņemiet zāles grozu.

Mulčēšanas spraudņa piestiprināšana

1. Atveriet aizmugurējo pārsegu un izņemiet zāles grozu.
▶ **Att.13:** 1. Aizmugurējais pārsegs 2. Zāles grozs
2. Pievienojiet mulčēšanas spraudni, piespiežot to līdz galam, lai mulčēšanas spraudņa izvirsītās daļas iekļautos ierīces atverēs.
▶ **Att.14:** 1. Mulčēšanas spraudnis 2. Izvirsījums

Izmešanas kanāla uzstādīšana vai noņemšana

Lai uzstādītu izmešanas kanālu, rīkojieties, kā norādīts tālāk.

1. Atveriet aizmugurējo pārsegu un pēc tam noņemiet zāles grozu un mulčēšanas spraudni.
2. Uzāķējiet izmešanas kanāla caurumus uz izvirsījumiem plaujmašīnas korpusā, kā parādīts attēlā.
▶ **Att.15:** 1. Izmešanas kanāls 2. Izvirsījums

Lai noņemtu izmešanas kanālu, atveriet aizmugurējo pārsegu un pēc tam noņemiet izmešanas kanālu.

FUNKCIJU APRAKSTS

Akumulatora kasetnes uzstādīšana un izņemšana

⚠UZMANĪBU: Pirms akumulatora kasetnes uzstādīšanas vai izņemšanas vienmēr izslēdziet ierīci.

⚠UZMANĪBU: Uzstādot vai izņemot akumulatora kasetni, cieši satveriet darbarīku un akumulatora kasetni. Ja darbarīks un akumulatora kasetne netiek turēti cieši, tie var izkrist no rokām, tādējādi radot akumulatora kasetnes bojājumus vai izraisot traumas.

⚠UZMANĪBU: Pirms lietošanas pārbaudiet, vai akumulatora vāks ir bloķēts. Citādi dubļi, netīrumi vai ūdens var izraisīt izstrādājuma vai akumulatora kasetnes bojājumus.

⚠UZMANĪBU: Vienmēr ievietojiet akumulatora kasetni līdz galam, lai nav redzams sarkanas krāsas indikators. Citādi akumulators var nejauši izkrist no darbarīka un radīt jums vai apkārtējiem traumas.

⚠UZMANĪBU: Neievietojiet akumulatora kasetni ar spēku. Ja kasetne neslīd ietvarā viegli, tā nav pareizi ielikta.

⚠UZMANĪBU: Ieliekot vai izņemot akumulatora kasetni, cieši turiet akumulatora vāku.

Darbības akumulatora kasetnes uzstādīšanai

1. Pavelciet bloķēšanas sviru un tad atveriet akumulatora vāku.

► **Att.16:** 1. Akumulatora vāks 2. Bloķēšanas svira

2. Savietojiet akumulatora kasetnes mēlīti ar atveri uz darbarīka un bīdīet kasetni, līdz tā ar nelielu klikšķi nofiksējas vietā.

► **Att.17:** 1. Akumulatora kasetne

3. Aizveriet akumulatora vāku un bīdīet, līdz to nofiksē fiksācijas svira.

Akumulatora kasetnes izņemšana

1. Pavelciet bloķēšanas sviru uz augšu un atveriet akumulatora pārsegu.

2. Izvelciet akumulatora kasetni no darbarīka, vienlaikus bīdot pogu kasetnes priekšpusē.

3. Aizveriet akumulatora vāku.

Darbarīka/akumulatora aizsardzības sistēma

Darbarīks ir aprīkots ar darbarīka/akumulatora aizsardzības sistēmu. Šī sistēma automātiski izslēdz motora barošanu, tādējādi pagarinot darbarīka un akumulatora darbību. Lietošanas laikā darbarīks automātiski pārstās darboties, ja darbarīks vai akumulators atradīsies kādā no tālāk norādītajiem apstākļiem.

Aizsardzība pret pārslodzi

Ja akumulatoram ekspluatācijas laikā jānodrošina pārmērīgi liela strāva, darbarīks automātiski pārstāj darboties, un galvenais jaudas indikators mirgo zaļā krāsā. Šādā gadījumā izslēdziet darbarīku un pārtrauciet darbību, kas izraisīja pārslodzi. Pēc tam ieslēdziet darbarīku, lai atsāktu darbu.

Aizsardzība pret pārkaršanu

Ja ierīce ir pārkarusi, darbarīks automātiski pārstāj darboties, un galvenais jaudas indikators deg sarkanā krāsā. Šādā gadījumā ļaujiet ierīcei un akumulatoriem atdzist un tikai pēc tam atkal ieslēdziet darbarīku.

PIEZĪME: Kad akumulators ir pārkaris, galvenais jaudas indikators mirgo sarkanā krāsā.

Aizsardzība pret akumulatora pārmērīgu izlādi

Ja atlikusī akumulatora jauda nav pietiekama, darbarīks automātiski pārstāj darboties, un galvenais jaudas indikators mirgo sarkanā krāsā. Šādā gadījumā izņemiet akumulatoru no darbarīka un uzlādējiet akumulatora kasetnes vai nomainiet akumulatora kasetnes ar pilnībā uzlādētām.

Aizsardzība pret citiem cēloņiem

Aizsardzības sistēma ir paredzēta arī pret citiem cēloņiem, kas varētu radīt ierīces bojājumus, un nodrošina automātisku ierīces apturēšanu. Ja ierīces darbība ir īslaicīgi apturēta vai tā pārstājusi darboties, veiciet visas tālāk norādītās darbības, lai novērstu cēloņus.

1. Izslēdziet un atkal ieslēdziet ierīci, lai to atkārtoti iedarbinātu.
2. Uzlādējiet akumulatoru(-s) vai nomainiet to(-s) ar uzlādētu(-iem) akumulatoru(-iem).
3. Ļaujiet ierīcei un akumulatoram(-iem) atdzist.

Ja pēc aizsardzības sistēmas atjaunošanas nav uzlabojumu, sazinieties ar vietējo Makita tehnikās apkopes centru.

IEVĒRĪBAI: Ja ierīce izslēdzas kāda iepriekš neaprakstīta iemesla dēļ, skatiet sadaļu par problēmu novēršanu.

Atlikušās akumulatora jaudas indikators

► **Att.18:** 1. Akumulatora indikators

Kad atlikusī akumulatora jauda ir zema, attiecīgā akumulatora pusē sāk mirgot akumulatora indikators. Ja ierīci turpina lietot, tā pārstāj darboties un deg akumulatora indikators. Šādā gadījumā uzlādējiet akumulatora kasetni.

PIEZĪME: Ja uzstādītas divas akumulatora kasetnes, vispirms tiek lietots kreisajā pusē uzstādītais akumulators.

PIEZĪME: Ja uzstādītas divas akumulatora kasetnes, mašīna automātiski pārslēdzas uz otru akumulatoru, kad lietotais akumulators iztukšojas.

Atlikušās akumulatora jaudas indikators

Nospiediet akumulatora kasetnes pārbaudes pogu, lai pārbaudītu akumulatora atlikušo uzlādes līmeni. Indikatori iedegties uz dažām sekundēm.

► **Att.19:** 1. Indikatora lampas 2. Pārbaudes poga

Indikatora lampas			Atlikusī jauda
Iedegties	Izslēgts	Mirgo	
■ ■ ■ ■			No 75% līdz 100%
■ ■ ■ □			No 50% līdz 75%
■ ■ □ □			No 25% līdz 50%
■ □ □ □			No 0% līdz 25%
▬ □ □ □			Uzlādējiet akumulatoru.
■ ■ □ □	↑ ↓		Iespējama akumulatora kļūme.

PIEZĪME: Reālā jauda var nedaudz atšķirties no norādītās atkarībā no lietošanas apstākļiem un apkārtējās temperatūras.

PIEZĪME: Akumulatora aizsardzības sistēmas darbības laikā mirgo pirmais (kreisais malējais) indikators.

Vadības bloks

Vadības blokā ir galvenais barošanas slēdzis un režīmu pārslēgšanas poga.

► **Att.20:** 1. Lampa, kas norāda laidenu darbības režīmu bez slodzes 2. Lampa, kas norāda trokšņa samazināšanas režīmu 3. Režīmu pārslēgšanas poga 4. Galvenais jaudas indikators 5. Galvenais ieslēgšanas slēdzis

Galvenais barošanas slēdzis

BRĪDINĀJUMS: Vienmēr, kad darbarīku nelietojat, izslēdziet galveno elektropadeves slēdzi.

Lai ieslēgtu ierīci, nospiediet galveno barošanas slēdzi. Galvenais jaudas indikators iedegas zaļā krāsā. Lai izslēgtu ierīci, vēlreiz nospiediet galveno barošanas slēdzi.

PIEZĪME: Ja galvenais jaudas indikators iedegas sarkanā krāsā vai sāk mirgot sarkanā vai zaļā krāsā, skatiet norādes par darbarīka/akumulatora aizsardzības sistēmu.

PIEZĪME: Šim darbarīkam ir automātiska izslēgšanas funkcija. Lai novērstu nejašu iedarbināšanu, galvenais barošanas slēdzis automātiski izslēdzas, ja noteiktā laikposmā pēc galvenā barošanas slēdža ieslēgšanas slēdža svira un piedziņas svira (ja tā uzstādīta) netiek pavilkta.

Režīmu pārslēgšanas poga

Darba režīmu iespējams pārslēgt, nospiežot režīmu pārslēgšanas pogu. Kad ierīce tiek ieslēgta, darbs tiek sāks standarta režīmā.

Režīmus skatiet tālāk dotajā tabulā.

Režīms	Indikators	Apraksts
Standarta režīms	Deg gan laidena darbības bez slodzes indikators, gan trokšņa samazināšanas režīma indikators.	Mašīna darbojas standarta režīmā.
Laidena darbība bez slodzes	Laidena darbības bez slodzes indikators deg zaļā krāsā.	Iespējams minimizēt palaišanas triecienu un palaist mašīnu laideni.
Trokšņa samazināšanas režīms	Trokšņa samazināšanas režīma indikators deg zaļā krāsā.	Iespējams samazināt plaušanas troksni.

Slēdža darbība

BRĪDINĀJUMS: Pirms akumulatora kasetnes uzstādīšanas vienmēr pārbaudiet, vai slēdža svira darbojas pareizi un pēc atlaišanas atgriežas sākotnējā stāvoklī. Lietojot darbarīku, kura slēdzis nedarbojas pareizi, tas var kļūt nevadāms un radīt nopietnas traumas.

PIEZĪME: Plaujmašīna nesāk darboties bez slēdža pogas nospiešanas pat tad, ja ir pārbīdīta slēdža svira.

PIEZĪME: Mēģinot plaut garu, mitru zāli, pārslodzes dēļ plaujmašīnu var neizdoties iedarbināt. Šādā gadījumā palieliniet plaušanas augstumu.

Šī ierīce ir aprīkota ar slēdža pogu. Ja pamanāt slēdža pogu darbojamies neparasti, nekavējoties pārtrauciet ekspluatāciju un nododiet to pārbaudei tuvākajā Makita pilnvarotā servisa centrā.

1. Uzstādiet akumulatora kasetnes un pēc tam aizveriet akumulatora vāku.
2. Nospiediet galveno barošanas slēdzi.

PIEZĪME: Galvenais barošanas slēdzis mirgo zaļā krāsā, ja nospiežat to, vienlaikus spiežot slēdža mēlīti. Atlaidiet slēdža mēlīti, pirms spiežat galveno barošanas slēdzi.

3. Pavelciet slēdža mēlīti pret sevi, vienlaicīgi turot nospiestu slēdža pogu. Atlaidiet slēdža pogu, tiklīdz motors sāk darboties.

► **Att.21:** 1. Slēdža poga 2. Slēdža svira

4. Turot nospiestu slēdža sviru, spiediet piedziņas sviru uz priekšu un turiet, lai nodrošinātu piedziņu aizmugures riteniem.

► **Att.22:** 1. Piedziņas svira

PIEZĪME: Piedziņu aizmugures riteniem var nodrošināt, turot piedziņas sviru nospiestu uz priekšu, bet nevelkot slēdža sviru.

5. Atlaidiet piedziņas sviru un slēdža sviru, lai apturētu darbarīku.

Pļaušanas augstuma regulēšana

▲BRĪDINĀJUMS: Nekad nelieciet rokas un kājas zem pļaujmašīnas, kad regulējat pļaušanas augstumu.

▲BRĪDINĀJUMS: Pirms lietošanas vienmēr pārbaudiet, vai svira pilnībā nofikšējusies rievā.

Pļaušanas augstumu var regulēt diapazonā no 20 mm līdz 100 mm.

Izslēdziet mašīnu, pēc tam pavelciet pļaušanas augstuma regulēšanas sviru uz āru no pļaujmašīnas korpusa un tad novietojiet to vēlamajā pļaušanas augstumā.

► **Att.23:** 1. Pļaušanas augstuma regulēšanas svira

Tabulā tālāk ir redzama attiecība starp skaitli, kas norādīts uz pļaujmašīnas korpasa, un aptuveno pļaušanas augstumu.

Skaitlis	Pļaušanas augstums
1	20 mm
2	26 mm
3	32 mm
4	39 mm
5	47 mm
6	55 mm
7	63 mm
8	74 mm
9	86 mm
10	100 mm

Ar vienu roku turiet apakšējo rokturi, ar otru — virziet pļaušanas augstuma regulēšanas sviru.

► **Att.24:** 1. Pļaušanas augstuma regulēšanas svira
2. Apakšējais rokturis

PIEZĪME: Pļaušanas augstumu norādošie skaitļi jāuzskata tikai par informatīviem. Mauriņa vai grunts stāvokļa dēļ faktiskais zāliena augstums var nedaudz atšķirties no iestatītā augstuma.

PIEZĪME: Lai noregulētu nepieciešamo augstumu, zāles pļaušanu izmēģiniet mazāk redzamā vietā.

Zāles līmeņa indikators

Zāles līmeņa indikators norāda nopļautās zāles daudzumu. Ja zāles grozs nav pilns, indikators asmeņu kustības laikā pārvietojas.

► **Att.25:** 1. Zāles līmeņa indikators

Ja zāles grozs ir gandrīz pilns, indikators asmeņu kustības laikā nepārvietojas. Šādā gadījumā nekavējoties pārtrauciet darbu un iztukšojiet grozu.

► **Att.26:** 1. Zāles līmeņa indikators

PIEZĪME: Šā indikatora rādījums ir aptuvens. Groza iekšpusē stāvokļa dēļ indikators var nedarboties pareizi.

Rokturu augstuma regulēšana

Rokturu augstumu var regulēt divos līmeņos.

1. Turiet apakšējo rokturi un pēc tam pagrieziet kloķi par 90°, vienlaikus velkot apakšējā roktura kloķi, lai atbrīvotu bloķēšanas tapu. Šādu procedūru veiciet arī otrā pusē.

► **Att.27:** 1. Apakšējais rokturis 2. Kloķis

PIEZĪME: Atbalstot rokturi, kloķa vilkšanas laikā ir vieglāk atbrīvot bloķēšanas tapu.

2. Noregulējiet roktura augstumu un pēc tam pagrieziet kloķi abās pusēs par 90°. Pārliecinieties, ka kloķi ir stingri nofikšēti.

► **Att.28:** 1. Kloķis

Pārvietošanās ātruma regulēšana

► **Att.29:** 1. Ātruma svira

Pārvietošanās ātrumu var regulēt ar ātruma sviru. Lai samazinātu ātrumu, velciet sviru uz savu pusi; lai palielinātu ātrumu, grieziet sviru uz priekšu.

Mulčēšanas spraudņa lietošana

Mulčēšanas spraudnis ļauj atgriezt nopļauto zāli zemē, nesavācot to zāles grozā. Darbinot darbarīku, kam ir uzstādīts mulčēšanas spraudnis, noteikti noņemiet zāles grozu vai izmešanas kanālu.

IEVĒRĪBA! Lietojot ierīci, kurai ir uzstādīts mulčēšanas spraudnis, pārliecinieties, ka zāles garums pēc griešanas ir vismaz 30 mm un nogrieztais zāles garums ir 15 mm vai mazāk.

► **Att.30:** (1) 30 mm un vairāk (2) 15 mm un mazāk

Izmešanas kanāla lietošana

Iztukšošanas kanāls ļauj nopļauto zāli nomest uz zemes no darbarīka labās puses, nesavācot to zāles grozā. Darbinot darbarīku, kuram ir uzstādīts izmešanas kanāls, noteikti noņemiet zāles grozu un mulčēšanas spraudni.

Aizmugures iztukšotāja izmantošana

Aizmugures iztukšotājs ļauj nopļauto zāli izmest uz zemes no darbarīka aizmugures, nesavācot to zāles grozā. Ja darbināt mašīnu, izmantojot aizmugures izmešanas atveri, noteikti noņemiet mulčēšanas spraudni un zāles grozu vai izmešanas kanālu un aizveriet aizmugurējo pārsegu.

Elektronika

Lai atvieglotu lietošanu, ierīce ir aprīkota ar elektroniskām funkcijām.

- Braukšanas laidenā uzsākšana
Laidenas ieslēgšanas funkcija mazina iedarbināšanas triecienu, un ierīce uzsāk darbību vienmērīgi.
- Elektrobremze
Šis darbarīks ir aprīkots ar elektrobremzi. Ja pastāvīgi notiek tā, ka darbarīka pļaujmašīnas asmeņi pēc slēdža sviras atlaišanas ātri netiek apturēti, nododiet darbarīku remonta veikšanai Makita pilnvarotā servisa centrā.

EKSPLUATĀCIJA

Pļaušana

▲BRĪDINĀJUMS: Pirms pļaušanas no pļaušanas vietas aizvāciet žaģarus un akmeņus. Pļaušanas vietu attīriet arī no nezālēm.

▲BRĪDINĀJUMS: Lietojot pļaujmašīnu, vienmēr valkājiet aizsargbrilles vai brilles ar sānu aizsargiem.

▲UZMANĪBU: Ja nopļautā zāle vai svešķermeņi nobloķē pļaujmašīnas korpusa iekšpusi, obligāti izņemiet akumulatora kasetnes un uzvelciet cimdus, pirms noņemat zāli vai svešķermeņus.

IEVĒRĪBAI: Lietojiet šo ierīci tikai zāles pļaušanai. Nepļaujiet ar šo ierīci nezāles.

► Att.31

Pļaušanas laikā cieši ar abām rokām turiet rokturi. Pļaušanas standarta ātrums ir aptuveni 7–14 metri 10 sekundēs.

► Att.32

PIEZĪME: Pļaujot garu vai biezu zāli, ja pēc nopļaušanas tiek konstatēts nevienmērīgs zāles garums vai slikts kopējais izskats vai arī pļaušanas laikā tiek konstatēta motora darbības ātruma samazināšanās, samaziniet pļaušanas ātrumu līdz mazākam, nekā ieteikts šajā rokasgrāmatā, vai palieliniet pļaušanas augstumu.

Priekšējo riteņu centra līnijas ir pļaušanas platumā vadlīnijas. Izmantojot centra līnijas kā vadlīnijas, pļaujiet joslās. Lai zālienu nopļautu līdzeni, pļaušanas joslai par vienu pusi vai trešdaļu jāpārklājas ar iepriekšējo joslu.

► **Att.33:** 1. Pļaušanas platumš 2. Pārklāšanās zona 3. Centra līnija

Pļaušanas virzienu katru reizi mainiet, lai zāles plāvuma raksts neveidotos tikai vienā virzienā.

► Att.34

Periodiski pārbaudiet nopļauto zāli zāles grozā. Izņemiet zāli no groza, pirms tas ir pilns. Pirms katras periodiskās pārbaudes obligāti apturiet un izslēdziet ierīci.

IEVĒRĪBAI: Izmantojot pļaujmašīnu ar pilnu zāles grozu, asmeņi nevarēs brīvi griezties un motoram radīsies papildu slodze, kas var izraisīt bojājumus.

Garas zāles pļaušana

Nemēģiniet uzreiz nopļaut garu zāli. Tā vietā pļaujiet zālienu pakāpeniski. Starp pļaušanas reizēm uzgaidiet vienu vai divas dienas, līdz zāle visur ir vienādi gara.

► Att.35

PIEZĪME: Ja garu zāli uzreiz nopļauj īsu, tas var izraisīt zāliena iznīkšanu. Nogriezta gara zāle var arī iesprūst pļaujmašīnas korpusā.

PIEZĪME: Ja pēc nopļaušanas tiek konstatēts nevienmērīgs zāles garums vai slikts kopējais izskats vai arī pļaušanas laikā tiek konstatēta motora darbības ātruma samazināšanās, samaziniet pļaušanas ātrumu vai palieliniet pļaušanas augstumu.

Zāles groza iztukšošana

▲BRĪDINĀJUMS: Lai nepieļautu negadījumus, regulāri pārbaudiet, vai zāles grozs nav bojāts vai nodilis. Ja nepieciešams, nomainiet zāles grozu.

1. Atlaidiet slēdža sviru un piedziņas sviru.
2. Izslēdziet mašīnu.
3. Atveriet aizmugurējo pārsegu un aiz roktura izņemiet zāles grozu.
► **Att.36:** 1. Aizmugurējais pārsegs 2. Rokturis 3. Zāles grozs
4. Iztukšojiet zāles grozu.

TEHNISKĀ APKOPE

▲BRĪDINĀJUMS: Vienmēr no mašīnas izņemiet visas akumulatora kasetnes pirms pļaujmašīnas glabāšanas vai nešanas, vai pirms veicat pārbaudes vai apkopes darbus.

▲BRĪDINĀJUMS: Veicot pārbaudi vai apkopi, valkājiet cimdus.

▲BRĪDINĀJUMS: Veicot pļaujmašīnas apkopes vai pārbaudes darbus, vienmēr valkājiet aizsargbrilles vai brilles ar sānu aizsargiem.

IEVĒRĪBAI: Nekad neizmantojiet gazoļīnu, benzīnu, atšķaidītāju, spirtu vai līdzīgus šķīdumus. Tas var radīt izbalēšanu, deformāciju vai plaisas.

Lai saglabātu izstrādājuma DROŠU un UZTICAMU darbību, remontdarbus, apkopi un regulēšanu uzticiet veikt tikai Makita pilnvarotam vai rūpnīcas apkopes centram, un vienmēr izmantojiet tikai Makita rezerves daļas.

Apkope

1. Izņemiet visas akumulatora kasetnes un pēc tam aizveriet akumulatora vāku.
2. Novietojiet pļaujmašīnu uz sāna. Notīriet zāles atgriezumus, kas sakrājušies pļaujmašīnas apakšā.
3. Ūdeni lejiet virzienā uz ierīces apakšpusi, kur pietiprināts asmens.

IEVĒRĪBAI: Nemazgājiet ierīci ar augstspiediena ūdens strūklu.

4. Pārbaudiet, vai visi uzgriežņi, bultskrūves, skrūves u. c. ir pievilkti cieši.
5. Pārbaudiet, vai kustīgās daļas nav bojātas, salūzušas vai nodilušas. Bojātās vai trūkstošās daļas jāremontē vai jāaizvieto.
6. Glabājiet pļaujmašīnu drošā, bērniem nepieejamā vietā.

IEVĒRĪBAI: Neļaujiet ūdeni vietā, kas parādīta attēlā. Ja uz motora bloka uzlīst ūdens, ir iespējami darbarīka darbības traucējumi.

► **Att.37:** 1. Vieta, kur ūdens nedrīkst uzlīst

IEVĒRĪBAI: Nelejiet ūdeni uz ierīces, kamēr tā ir stāvus pozīcijā, kā parādīts attēlā. Ja ierīce ir stāvus pozīcijā, ūdens var ielīst motora mezglā un izraisīt ierīces darbības traucējumus.

► Att.38

Plaujmašīnas pārnēsāšana

UZMANĪBU: Pirms plaujmašīnas pārnēsāšanas pārliecinieties, ka ir izņemtas visas akumulatora kasetnes.

Pārnēsājot zāles plaujmašīnu, diviem cilvēkiem jātur tā aiz aizmugurējā roktura un apakšējās turēšanas detaļas plaujmašīnas priekšpusē, kā parādīts attēlā.

► Att.39: 1. Apakšējā turēšanas detaļa 2. Aizmugures rokturis

Glabāšana

UZMANĪBU: Novietojot ierīci stāvus pozīcijā, novietojiet to uz līdzenas un stabilas virsmas. Ja ierīci novieto uz nestabilas virsmas, tā var apgāzties un izraisīt ievainojumus.

Glabājiet plaujmašīnu iekšstelpās vēsā, sausā un slēgtā vietā. Neglabājiet plaujmašīnu un lādētāju vietās, kur temperatūra var sasniegt vai pārsniegt 40 °C.

1. Izņemiet visas akumulatoru kasetnes.
 2. Pagrieziet kloķi par 90°, vienlaikus velkot apakšējā roktura kloķi, lai atbrīvotu bloķēšanas tapu. Šādu procedūru veiciet arī otrā pusē un pēc tam nolokiet rokturi.
- Att.40: 1. Kloķis

PIEZĪME: Atbalstot rokturi, kloķa vilkšanas laikā ir vieglāk atbrīvot bloķēšanas tapu.

3. Pagrieziet kloķi abās pusēs par 90°. Pārliecinieties, ka kloķi ir stingri nofiksēti.
- Att.41: 1. Kloķis

IEVĒRĪBAI: Nolokot rokturi, uzmanieties, lai neiespiestu vadus.

4. Atskrūvējiet spārnuzgriežņus abās pusēs un tad nolokiet augšējo rokturi, kā parādīts attēlā.

► Att.42: 1. Spārnuzgriežnis 2. Augšējais rokturis

5. Novietojiet ierīci stāvus pozīcijā.

PIEZĪME: Novietojot plaujmašīnu vertikālā stāvoklī, neturiet tikai aiz roktura, bet turiet aiz plaujmašīnas korpusa un roktura.

6. Uzglabājiet zāles grozu, kā parādīts attēlā.

► Att.43: 1. Zāles grozs

► Att.44: 1. Zāles grozs

Plaujmašīnas asmens noņemšana vai uzstādīšana

BRĪDINĀJUMS: Asmens pēc slēdža atlaišanas turpina kustēties pēc inerces. Neveiciet nekādas darbības, kamēr asmens nav pilnībā apstājies.

BRĪDINĀJUMS: Uzstādot vai noņemot asmeni, vienmēr izņemiet visas akumulatora kasetnes. Ja visas akumulatora kasetnes nav izņemtas, var izraisīt nopietnus ievainojumus.

BRĪDINĀJUMS: Rīkojoties ar asmeni, vienmēr valkājiet cimdus.

Plaujmašīnas asmens noņemšana

1. Plaujmašīnu novietojiet uz sāniem tā, lai plaušanas augstuma regulēšanas svira atrastos augšpusē.

2. Lai bloķētu asmeni, līdz galam ievietojiet tapu plaujmašīnas korpusa atverē.

3. Ar galatslēgu 17 grieziet bultskrūvi pretēji pulksteņrādītāju kustības virzienam.

► Att.45: 1. Plaujmašīnas asmens 2. Tapa 3. Galatslēga

4. Izskrūvējiet bultskrūvi un tad noņemiet plaujmašīnas asmeni.

► Att.46: 1. Asmens stiprinājums 2. Plaujmašīnas asmens 3. Bultskrūve 4. Izvirzījums

IEVĒRĪBAI: Uzstādot plaujmašīnas asmeni, pārliecinieties, ka izvirzījumi uz asmens stiprinājuma ievietojas atverēs uz plaujmašīnas asmens.

Plaujmašīnas asmens uzstādīšana

BRĪDINĀJUMS: Uzmanīgi uzstādiet plaujmašīnas asmeni. Tam ir augšējā/apakšējā virsma.

BRĪDINĀJUMS: Cieši pievelciet bultskrūvi pulksteņrādītāju kustības virzienā, lai nostiprinātu asmeni.

BRĪDINĀJUMS: Pārliecinieties, ka plaujmašīnas asmens un visas fiksējošās daļas ir pareizi uzstādītas un cieši pievilktas.

BRĪDINĀJUMS: Nomainot asmeņus, vienmēr izpildiet šajā rokasgrāmatā ietvertos norādījumus.

IEVĒRĪBAI: Pēc plaujmašīnas asmeņu uzstādīšanas izņemiet tapu no plaujmašīnas korpusa.

Lai uzstādītu plaujmašīnas asmeņus, noņemšanas darbības izpildiet pretējā secībā.

PROBLĒMU NOVĒRŠANA

Pirms vienošanās par remontu vispirms veiciet savu pārbaudi. Ja konstatējat problēmu, kas rokasgrāmatā nav aprakstīta, nemēģiniet izjaukt darbarīku. Tā vietā vērsieties Makita pilnvarotā servisa centrā un remontam vienmēr izmantojiet tikai Makita rezerves daļas.

Neatbilstošas darbības stāvoklis	Iespējamais iemesls (kļūme)	Risinājums
Plaujmašīna nesāk darboties.	Nav ievietota akumulatora kasetne.	Ievietojiet uzlādētu akumulatora kasetni.
	Akumulatora kļūme (zems spriegums)	Uzlādējiet akumulatora kasetni. Ja uzlāde nav efektīva, nomainiet akumulatora kasetni.
Motors izslēdzas pēc neilgas darbināšanas.	Akumulatora uzlādes līmenis ir par zemu.	Uzlādējiet akumulatora kasetni. Ja uzlāde nav efektīva, nomainiet akumulatora kasetni.
	Griešanas augstums ir par mazu.	Palieliniet griešanas augstumu.
	Nopļautā zāle ir sakrājusies plaujmašīnā.	Iztīriet sakrājušos zāli no plaujmašīnas.
Motors nesasniedz maksimālo apgriezumu skaitu minūtē.	Akumulatora kasetne nav uzstādīta pareizi.	Uzstādiet akumulatora kasetni, kā aprakstīts šajā rokasgrāmatā.
	Samazinās akumulatora jauda.	Uzlādējiet akumulatora kasetni. Ja uzlāde nav efektīva, nomainiet akumulatora kasetni.
	Piedziņas sistēma nedarbojas pareizi.	Lūdziet veikt remontu vietējā pilnvarotā apkopes centrā.
Plaujmašīnas asmens negriežas: ⇒ nekavējoties apturiet plaujmašīnu!	Pie asmens iesprūdis kāds svešķermenis, piemēram, zars.	Izņemiet svešķermeni.
	Piedziņas sistēma nedarbojas pareizi.	Lūdziet veikt remontu vietējā pilnvarotā apkopes centrā.
Pārmērīga vibrācija: ⇒ nekavējoties apturiet plaujmašīnu!	Asmens nav nolīmeņots, ir pārmērīgi vai nevienmērīgi nodilis.	Nomainiet asmeni.

PAPILDU PIEDERUMI

⚠ UZMANĪBU: Kopā ar šajā rokasgrāmatā aprakstīto Makita darbarīku ieteicams izmantot norādītos piederumus vai palīgierīces. Izmantojot citus piederumus vai palīgierīces, var izraisīt traumas. Piederumu vai palīgierīci izmantojiet tikai paredzētajam nolūkam.

Ja jums vajadzīga palīdzība vai precīzāka informācija par šiem piederumiem, vērsieties savā tuvākajā Makita apkopes centrā.

- Plaujmašīnas asmens
- Makita oriģinālais akumulators un lādētājs

PIEZĪME: Daži sarakstā norādītie izstrādājumi var būt iekļauti izstrādājuma komplektācijā kā standarta piederumi. Tie dažādās valstīs var būt atšķirīgi.

SPECIFIKACIJOS

Modelis:		LM001G	LM002G
Pjovimo plotis (peilio skersmuo)		480 mm	534 mm
Be apkrovos	Normalus režimas	3 200 min ⁻¹	2 800 min ⁻¹
	Švelnus režimas be apkrovos	2 500 – 3 200 min ⁻¹	2 300 – 2 800 min ⁻¹
	Triukšmą mažinantis režimas	2 500 min ⁻¹	2 300 min ⁻¹
Pakaitinio vejjapjovės peilio dalies numeris	Tiesus vejjapjovės peilis	191V97-3	191V96-5
	Tiesus vejjapjovės peilis *1	-	191W87-2
	Mulčiavimo peilis	191Y64-6	191Y65-4
Matmenys (I x P x A)	dirbant	I: nuo 1 670 mm iki 1 745 mm P: 550 mm A: nuo 965 mm iki 1 075 mm	I: nuo 1 740 mm iki 1 810 mm P: 595 mm A: nuo 970 mm iki 1 080 mm
	Laikant (be žolės surinkimo krepšio)	585 mm x 550 mm x 900 mm	580 mm x 595 mm x 930 mm
Važiavimo greitis		1,5–5,0 km/h	
Nominali įtampa		Nuol. sr. 36 V – 40 V maks.	
Grynasis svoris		28,0 - 33,0kg	29,3 - 34,5kg
Apsaugos laipsnis		IPX4	

*1. Vejjapjovės peilis efektyvesniam žolės surinkimui.

- Atliekame tęstinius tyrimus ir nuolat tobuliname savo gaminius, todėl čia pateikiamos specifikacijos gali būti keičiamos be įspėjimo.
- Skirtingose šalyse specifikacijos gali skirtis.
- Svoris gali priklausyti nuo priedo (-ų), įskaitant akumulatoriaus kasetę. Lengviausias ir sunkiausias deriniai pagal EPTA 2014 m. sausio mėn. procedūrą yra parodyti lentelėje.

Tinkama akumulatoriaus kasetė ir (arba) įkroviklis

Akumulatoriaus kasetė	BL4020 / BL4025 / BL4040* / BL4050F* / BL4080F* *: rekomenduojamas akumulatorius
Įkroviklis	DC40RA / DC40RB / DC40RC


- Atsižvelgiant į gyvenamosios vietos regioną, kai kurios pirmiau nurodytos akumulatoriaus kasetės ir įkrovikliai gali būti neprieinami.


ĮSPĖJIMAS: Naudokite tik akumulatoriaus kasetes ir įkroviklius, kurie nurodyti anksčiau. Naudojant bet kurias kitas akumulatoriaus kasetes ir įkroviklius, gali kilti sužeidimo ir gaisro pavojus.


ĮSPĖJIMAS: Su šia mašina nenaudokite laidu prijungiamo maitinimo šaltinio, pavyzdžiui, akumulatoriaus adapterio ar nešiojamojo maitinimo šaltinio. Tokio maitinimo šaltinio kabelis gali trukdyti dirbti ir sukelti sužalojimų.

Simboliai

Toliau yra nurodyti simboliai, kurie gali būti naudojami įrangai. Prieš naudodami įsitikinkite, kad suprantate jų reikšmę.

 Būkite itin atsargūs ir dėmesingi.

 Perskaitykite instrukcijų vadovą.

 Pavojus; saugokitės skriejančių objektų.



Tarp įrankio ir šalia esančių žmonių turi būti bent 15 m atstumas.



Laikykite rankas ir pėdas atokiai nuo vejjapjovės dugne esančių peilių. Išjungus variklį, vejjapjovės peiliai dar kurį laiką sukasi.



Įspėjimas: prieš atlikdami techninės priežiūros darbus, atjunkite akumulatorių.



Su elektros įranga susijęs pavojus. Sąlytis su vandeniu gali sukelti elektros smūgį.



Nepilkite vandens.



Taikoma tik ES šalims
Kadangi įrangoje yra pavojeingų komponentų, panaudota elektrinė ir elektroninė įranga, akumuliatoriai ir baterijos gali turėti neigiamo poveikio aplinkai ir žmonių sveikatai.

Nešalinkite elektros ir elektroninių prietaisų ar baterijų kartu su buitiniams atliekomis! Pagal Europos direktyvą dėl elektros ir elektroninės įrangos atliekų bei akumuliatorių ir baterijų bei jos pritaikymą nacionaliniams įstatymams, panaudota elektros ir elektroninė įranga, baterijos ir akumuliatoriai turi būti surenkami atskirai ir pristatomi į atskirą buitinių atliekų surinkimo punktą, kuris veikia pagal aplinkos apsaugos taisykles. Tai rodo perbrauktas konteinerio ant ratukų simbolis, pateiktas ant įrangos.



Garantuojamas garso galios lygis pagal ES lauko triukšmo direktyvą.



Garso galios lygis pagal Australijos NSW triukšmo kontrolės reglamentą

Numatytoji naudojimo paskirtis

Įrenginys skirtas tik vejai pjauti.

Triukšmas

Įprastas triukšmo A lygis, nustatytas pagal EN62841-4-3:

Modelis LM001G

Išmatuotasis garso galios lygis (L_{WA}): 91 dB (A)
Garantuotasis garso galios lygis (L_{WA}): 94 dB (A)
Garso slėgio lygis (L_{pA}): 81 dB (A)
Garso slėgio lygio neapibrėžtumas (K): 3 dB (A)

Modelis LM002G

Išmatuotasis garso galios lygis (L_{WA}): 91 dB (A)
Garantuotasis garso galios lygis (L_{WA}): 94 dB (A)
Garso slėgio lygis (L_{pA}): 81 dB (A)
Garso slėgio lygio neapibrėžtumas (K): 3 dB (A)

PASTABA: Paskelbta (-os) triukšmo reikšmė (-ės) nustatyta (-os) pagal standartinį testavimo metodą ir jį galima naudoti vienam įrankiui palyginti su kitu.

PASTABA: Paskelbta (-os) triukšmo reikšmė (-ės) taip pat gali būti naudojama (-os) norint preliminariai įvertinti triukšmo poveikį.

⚠️ ĮSPĖJIMAS: Dėvėkite ausų apsaugą.

⚠️ ĮSPĖJIMAS: Faktiškai naudojant elektrinį įrankį, keliamo triukšmo dydis gali skirtis nuo paskelbtos (-ų) reikšmės (-ių), priklausomai nuo būdų, kuriais yra naudojamas šis įrankis, ir ypač nuo to, kokio tipo ruošinys apdirbamas.

⚠️ ĮSPĖJIMAS: Siekdami apsaugoti operatorių, būtinai įvertinkite saugos priemones, remdamiesi vibracijos poveikio įvertinimu esant faktinėms naudojimo sąlygoms (atsižvelgdami į visas darbo ciklo dalis, pavyzdžiui, ne tik kiek laiko įrankis veikia, bet ir kiek kartų jis yra išjungiamas bei kai jis veikia be apkrovų).

Vibracija

Vibracijos bendroji vertė (triašio vektorius suma) nustatyta pagal EN62841-4-3 standartą:

Modelis LM001G

Vibracijos emisija (a_{h1}): 2,5 m/s² arba mažiau
Paklaida (K): 1,5 m/s²

Modelis LM002G

Vibracijos emisija (a_{h1}): 2,5 m/s² arba mažiau
Paklaida (K): 1,5 m/s²

PASTABA: Paskelbta (-os) vibracijos bendroji (-osios) reikšmė (-ės) nustatyta (-os) pagal standartinį testavimo metodą ir jį galima naudoti vienam įrankiui palyginti su kitu.

PASTABA: Paskelbta (-os) vibracijos bendroji (-osios) reikšmė (-ės) taip pat gali būti naudojama (-os) norint preliminariai įvertinti vibracijos poveikį.

⚠️ ĮSPĖJIMAS: Faktiškai naudojant elektrinį įrankį, keliamos vibracijos dydis gali skirtis nuo paskelbtos (-ų) reikšmės (-ių), priklausomai nuo būdų, kuriais yra naudojamas šis įrankis, ir ypač nuo to, kokio tipo ruošinys apdirbamas.

⚠️ ĮSPĖJIMAS: Siekdami apsaugoti operatorių, būtinai įvertinkite saugos priemones, remdamiesi vibracijos poveikio įvertinimu esant faktinėms naudojimo sąlygoms (atsižvelgdami į visas darbo ciklo dalis, pavyzdžiui, ne tik kiek laiko įrankis veikia, bet ir kiek kartų jis yra išjungiamas bei kai jis veikia be apkrovų).

EB atitikties deklaracija

Tik Europos šalims

EB atitikties deklaracija yra pridama kaip šio instrukcijų vadovo A priedas.

SAUGOS ĮSPĖJIMAI

Bendrieji įspėjimai dirbant elektriniais įrankiais

⚠️ ĮSPĖJIMAS: Perskaitykite visus saugos įspėjimus, instrukcijas, iliustracijas ir techninius duomenis, pateiktus kartu su šiuo elektriniu įrankiu. Nesilaikant visų toliau išvardytų instrukcijų galima patirti elektros smūgį, gali kilti gaisras ir (arba) galima sunkiai susižaloti.

Išsaugokite visus įspėjimus ir instrukcijas, kad galėtumėte jas peržiūrėti ateityje.

Terminas „elektrinis įrankis“ pateiktuose įspėjimuose reiškia į maitinimo tinklą jungiamą (laidinį) elektrinį įrankį arba akumuliatoriaus maitinamą (belaidį) elektrinį įrankį.

Saugos įspėjimai dėl belaidžių vejųjų naudojimo

1. **Nenaudokite vejųjų esant blogam orui, ypač jei gali žaibuoti.** Taip sumažinsite žaibo nutikimo pavojų.
2. **Kruopščiai patikrinkite vietą, kurioje naudosis vejųjų, ar nėra laukinių gyvūnų.** Veikianti vejųjų gali sužaloti laukinius gyvūnus.
3. **Kruopščiai patikrinkite vietą, kurioje bus naudojama vejųjų, ir surinkite visus akmenis, šakas, vielas, kaulus ir kitus pašalinius daiktus.** Nusiųsti daiktai gali sužaloti.
4. **Prieš naudodami vejųjų visada apžiūrėkite, ar peilis ir peilio mazgas nėra nusidėvėję arba pažeisti.** Nusidėvėję ar pažeistos dalys didina sužalojimo riziką.
5. **Dažnai tikrinkite, ar žolės gaudyklė nesusidėvėjusi ar nesugedusi.** Dėl susidėvėjusios ar sugedusios gaudyklės gali padidėti sužalojimo rizika.
6. **Laikykite apsauginius įtaisus jiems skirtoje vietoje.** Apsauginiai įtaisai turi būti tinkamos būklės ir tinkamai sumontuoti. Naudojant atsilaisvinusį, pažeistą arba tinkamai neveikiantį apsauginį įtaisą galima susižaloti.
7. **Pasirūpinkite, kad visose vėsinimo oro įtraukimo angose nebūtų šiukšlių.** Dėl užsikimšusių oro įleidimo angų ir šiukšlių prietaisas gali perkaisti ar gali kilti gaisro pavojus.
8. **Naudodami šią vejųjų, visada avėkite neslidžią apsauginę avalynę.** Niekuomet nedirbkite su vejųjuve, jeigu esate basi arba avite atvirus sandalus. Tai sumažina pėdų sužalojimo riziką, joms priilietus judantį peilį.
9. **Naudodami vejųjų, visuomet mūvėkite ilgias kelnes.** Dėl nepridengtos odos padidėja tikimybė patirti sužalojimų, kuriuos sukelia išsviesti objektai.
10. **Nepjaukite vejųjuve šlapios žolės. Vaikščiokite, o ne bėgiokite.** Taip kils mažesnis pavojus paslysti, nugriūti ir susižaloti.
11. **Nenaudokite vejųjuvės per didelio nuolydžio nuokalnėse.** Taip kils mažesnis pavojus nesuvaldyti įrankio, paslysti, nugriūti ir susižaloti.
12. **Dirbdami nuožulniose vietose, visada tvirtai stovėkite ir dirbkite skersai nuožulnumos – niekada neikite aukštyn arba žemyn taip pat būkite itin atsargūs, kai keičiate kryptį.** Taip kils mažesnis pavojus nesuvaldyti įrankio, paslysti, nugriūti ir susižaloti.
13. **Būkite itin atsargūs, važiuodami atbuline eiga arba traukdami vejųjuvę savęs link.** Visada žinokite aplinką. Taip sumažės užkliuvimo dirbant tikimybė.
14. **Nelieskite peilių ir kitų pavojų keliančių judančių dalių, kol jos vis dar nesustoja.** Taip sumažės judančių dalių keliami sužalojimo rizika.
15. **Šalindami įstrigusias medžiagas arba atlikdami vejųjuvės techninę priežiūrą, įsitinkinkite, kad visi maitinimo mygtukai išjungti, o akumuliatoriaus paketas išimtas arba atjungtas.** Naudojant vejųjuvę ne taip, kaip numatyta, galima sunkiai susižeisti.

SAUGOKITE ŠIAS INSTRUKCIJAS.

▲ISPĖJIMAS: NELEISKITE, kad patogumas ir gaminio pažinimas (igyjamas pakartotinai naudojant) susilpnintų griežtą saugos taisyklių, taikytinų šiam gaminiui, laikymąsi.

Dėl NETINKAMO NAUDOJIMO arba saugos taisyklių, kurios pateiktos šioje instrukcijoje, nesilaikymo galima rimtai susižeisti.

SVARBIOS SAUGOS INSTRUKCIJOS

▲ISPĖJIMAS: Perskaitykite visus saugos įspėjimus ir visą instrukciją. Nesilaikydami toliau pateiktų įspėjimų ir instrukcijų galite patirti elektros smūgį, gaisrą ir (arba) sunkų sužeidimą.

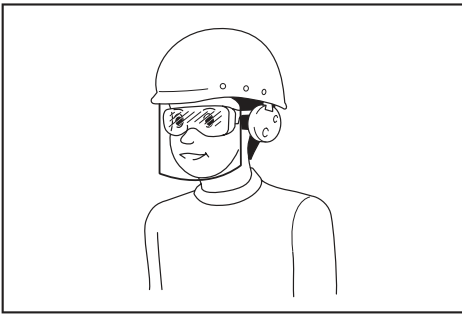
Išsaugokite visus įspėjimus ir instrukcijas, kad galėtumėte jas peržiūrėti ateityje.

Mokymas

1. **Atidžiai perskaitykite šią instrukciją.** Nuodugniai susipažinkite su valdikliais ir išsiaiškinkite, kaip tinkamai naudoti vejųjuvę.
2. **Niekuomet neleiskite vejųjuvės naudoti vaikams arba su šia instrukcija nesupažinusiems žmonėms.** Operatoriaus amžius gali būti reglamentuojamas vietinių įstatymų.
3. **Niekuomet nenaudokite vejųjuvės, jei netoliese yra žmonių, ypač vaikų ar naminių gyvūnų.**
4. **Atminkite, kad operatorius yra atsakingas už nelaimingus atsitikimus ar nelaimes, atsitikusias kitiems žmonėms, arba jų turtui padarytą žalą.**
5. **Būtina prižiūrėti vaikus, kad jie nežaistų su vejųjuve.**
6. **Fizinės sąlygos – nenaudokite vejųjuvės, jeigu esate apsvaigę nuo alkoholio, narkotikų arba kokių nors vaistų.**

Pasiruošimas

1. **Naudodami vejųjuvę, visuomet avėkite tvirtą avalynę ir mūvėkite ilgias kelnes.** Niekuomet nedirbkite vejųjuve, jeigu esate basi arba avite atvirus sandalus. Nedėvėkite laisvų drabužių ir kabančių papuošalų, nesurištų virvelių arba kaklaraiščių. Juos gali įtraukti judančios dalys.
2. **Prieš naudodami vejųjuvę, visada apžiūrėkite, ar ji nepažeista, ar netruksta apsauginių įtaisų ir skydų, ar jie tinkamai uždėti.**
3. **Prieš padėdami pjauti žolę, įsitinkinkite, ar toje vietoje nėra kitų žmonių.** Išjunkite vejųjuvę, jeigu į darbo vietą šakos nars ateina.
4. **Visada naudodami elektrinius įrankius užsidėkite apsauginius akinius, kad apsaugotumėte savo akis nuo sužalojimų.** Akiniai turi atitikti ANSI Z87.1 reikalavimus JAV, EN 166 reikalavimus Europoje arba AS/NZS 1336 reikalavimus Australijoje / Naujojoje Zelandijoje. Australijoje / Naujojoje Zelandijoje taip pat teisiškai privaloma naudoti veido skydelį.



Darbdavys privalo užtikrinti, kad įrankio operatoriai ir kiti šalia jo darbo vietos esantys asmenys naudotų tinkamas apsaugos priemones.

5. Prieš naudodami patikrinkite peilius arba peilių varžtus, ar nėra įtrūkimų ar pažeidimų. Nedelsdami pakeiskite įtrūkusius arba pažeistus peilius arba peilių varžtus.
6. Prieš pradėdami pjauti žolę, surinkite nuo vejos pašalinius daiktus, pavyzdžiui, akmenis, laidus, butelius, kaulus ir dideles šakas, kad nesusižeistumėte ir nesugadintumėte vejapjovės.
7. Vejapjovės peilio užkliudyti objektai gali sunkiai sužaloti. Prieš kiekvieną vejos pjovimą, veją visada reikia atidžiai apžiūrėti ir surinkti nuo jos visus daiktus.
8. Saugokitės duobių, provėžų, nelygumų, akmenų ir kitų nematomų objektų. Nelygioje vietoje galima paslysti ir griūti. Aukšta žolė gali slėpti kliūtis.
9. Naudokite asmenines saugos priemones. Visada naudokite akių apsaugos priemones. Apsauginės priemonės, pavyzdžiui, respiratorius, apsauginiai batai neslidžiais padais, šalmas ar ausų apsaugos, naudojamoms atitinkamomis sąlygomis, sumažina susižeidimo pavojų.

Naudojimas

1. Nepersisverkite. Visuomet išlaikykite pusiausvyrą. Dirbdami nuokalnėse, visada tvirtai stovėkite. Vaikščiokite, o ne bėgiokite.
2. Sustabdykite ir išjunkite vejapjovę, įsitikinkite, kad visos judančios dalys visiškai sustojo:
 - kai paliekate vejapjovę be priežiūros,
 - prieš pradėdami valyti užsikimšimus arba prieš atkimšdami išmetimo lataką,
 - prieš tikrindami, valydami arba dirbdami vejapjovę,
 - užkliudę pašalinį objektą. Prieš vėl įjungdami vejapjovę ir pradėdami dirbti, apžiūrėkite, ar nėra gedimų, ir juos pašalinkite;
 - jeigu vejapjovė pradeda neįprastai vibruoti.
3. Niekada nenaudokite vejapjovės su pažeistais apsauginiais skydais arba gaubtais ar be tinkamai sumontuotų saugos įtaisų, pavyzdžiui, kreiptuvų ir (arba) žolės surinkimo krepšio.
4. Vejapjovės nenaudokite esant blogam orui ir ypač tada, kai gali žaibuoti.
5. Naudodami vejapjovę, visada dėvėkite akių apsaugos priemones ir avėkite tvirtus batus.
6. Vejapjovę naudokite tik dienos metu arba esant geram dirbtiniam apšvietimui.

7. Atsargiai įjunkite vejapjovę, kaip nurodyta instrukcijoje; pėdos turi būti pakankamu atstumu nuo peilio (-ių).
8. Saugokitės, kad vejapjovės peilis nesužeistų kojų ir rankų.
9. Ventiliacijos angos visą laiką turi būti atviros ir švarios.
10. Pjaukite žolę, važiuodami nuokalnėmis aukštin ir žemyn, o ne skersai. Keisdami kryptis nuokalnėse, būkite itin atsargūs. Nepjaukite žolės pernelyg stačiose nuokalnėse.
11. Būkite itin atsargūs, važiuodami atbuline eiga arba traukdami vejapjovę savęs link.
12. Sustabdykite peilį (-ius), jeigu vejapjovę reikia paversti, kad ją galima būtų perkelti per žolę neapaugusius paviršius, ir gabendami vejapjovę iš vietos, kurioje ji buvo naudojama, ir į tą vietą, kurioje ji bus naudojama.
13. Paleisdami variklį, vejapjovės nepakreipkite, išskyrus tą atvejį, jeigu vejapjovę reikia pakreipti, kad ją būtų galima paleisti. Tokiu atveju pakreipkite ją tik tiek, kiek tai visiškai būtina, ir kelkite tik tą dalį, kuri yra nukreipta tolyn nuo operatoriaus. Prieš nuleidžiant vejapjovę ant žemės, visada užtikrinkite, kad abi rankos būtų darbinėje padėtyje.
14. Nekiškite rankų ar kojų artyn prie besisukančių dalių arba po jomis. Visada stovėkite atokiai nuo išmetimo angos.
15. Negabenkite veikiančios vejapjovės.
16. Vejapjovę nepjaukite šlapios žolės.
17. Visada tvirtai laikykite rankeną.
18. Paimdami arba laikydami vejapjovę, neimkite už atvirų pjovimo peilių arba pjovimo briaunų.
19. Laikykite pėdas ir rankas atokiai nuo besisukančių peilių. Dėmesio – išjungus vejapjovę, pjovimo peiliai dar sukasi iš inercijos.
20. Pastebėję ką nors neįprasto, tučtuojau nutraukite darbą. Išjunkite vejapjovę. Tada patikrinkite vejapjovę.
21. Nereguliuokite pjovimo aukščio, kai vejapjovė veikia, jei vejapjovė turi pjovimo aukščio reguliavimo funkciją.
22. Prieš kirsdami kelius, takus, vieškelius ir bet kokias žvyru padengtas vietas, atleiskite svirtinį jungiklį ir palaukite, kol peiliai nebesisuks. Taip pat išjunkite įrenginį, jeigu vejapjovę paliekate be priežiūros, jeigu siekiate kažką pakelti arba patraukti iš kelio, arba dėl bet kokios kitos priežasties, kuri gali atitraukti jus nuo atliekamo darbo.
23. Jeigu vejapjovė užkliudo pašalinį objektą, atlikite šiuos veiksmus:
 - Išjunkite vejapjovę, atleiskite svirtinį jungiklį ir palaukite, kol peilis visiškai sustos.
 - Išimkite akumulatoriaus kasetę.
 - Apžiūrėkite vejapjovę, ar ji neapgadinta.
 - Pakeiskite peilį, jeigu jis kaip nors apgadintas. Prieš užvesdami ir toliau naudodami vejapjovę, pašalinkite bet kokius gedimus.
24. Neužveskite vejapjovės variklio, stovėdami priešais išmetimo angą.

25. Jeigu veļapjovė pradeda neįprastai vibruoti, nedelsdami
 - patikrinkite, ar nėra gedimo;
 - pakeiskite arba pataisykite bet kurias sugadintas dalis;
 - patikrinkite ir priveržkite visas atsilaisvinusias dalis.
26. Išmetamos medžiagos niekada nenukreipkite į kitus žmones. Stenkitės nemesi medžiagos sienos ar kliūtis link. Medžiaga gali atšokti atgal operatoriaus link. Kirsdami žvyruotus paviršius, sustabdykite peilį.
27. Veļapjovės netraukite atgal, nebent tai būtų būtina. Kai veļapjovė tenka atitraukti nuo tvoros ar kitos panašios kliūtis ir prieš eidami atbulomis, pasižiūrėkite žemyn ir atgal.
28. Prieš nuimdami žolės gaudyklę, išjunkite variklį ir palaukite, kol peilis visiškai nustos sukstis. Turėkite omenyje, kad išjungus veļapjovę, peiliai dar sukasi iš inercijos.
29. Kai naudojate mašiną ant purvinos dirvos, drėgno nuolydžio ar slidžios vietos, atkreipkite dėmesį į pagrindą po kojomis.
30. Nenaudokite mašinos balose.
31. Naudodami mašiną atkreipkite dėmesį į vamzdelius ir laidus.

Techninė priežiūra ir laikymas

1. Saugumo sumetimais pakeiskite nusidėvėjusias arba sugadintas dalis. Prireikus priedų arba atsarginių dalių, naudokite tik originalias dalis.
2. Veļapjovę reguliariai apžiūrėkite ir sutvarkykite.
3. Nenaudojamą veļapjovę laikykite vaikams nepasiekiamoje vietoje.
4. Visos veržlės, varžtai ir sraigčiai turi būti tvirtai prisukti, kad būtų užtikrintos saugios įrenginio darbo sąlygos.
5. Dažnai tikrinkite, ar žolės surinkimo krepšys nesusidėvėjęs ir yra tinkamos būklės. Prieš pastatydami įrenginį, būtina ištuštinkite žolės surinkimo krepšį. Norėdami užtikrinti saugą, nusidėvėjusį žolės surinkimo krepšį pakeiskite nauju originaliu atsarginiu krepšiu.
6. Naudokite tik šioje instrukcijoje nurodytus originalius peilius.
7. Reguliuodami veļapjovę būkite atsargūs, kad pirštų neįtrauktų judantys peiliai ir nejudančios jos dalys.
8. Dažnai tikrinkite, ar tinkamai priveržti peilių montavimo varžtai.
9. Prieš pastatydami veļapjovę į saugojimo vietą, palaukite, kol ji visiškai atvės.
10. Prieš pradėdami peilių techninės priežiūros darbus, nepamirškite, kad nors maitinimo šaltinis yra išjungtas, peiliai vis tiek gali sukstis.
11. Niekada nenuimkite ir negadinkite apsauginių įtaisų. Reguliariai tikrinkite, ar jie gerai veikia. Nedarykite nieko, kas apsauginiam įtaisui trukdytų atlikti jo funkciją ar sumažintų jo suteikiamą apsaugą.
12. Nepalikite mašinos lauke lyjant.
13. Mašinos laikymo vietoje neturėtų būti tiesioginių saulės spindulių ir lietaus; laikykite ją ten, kur ji nesušlaps ir neįkais.

Akumuliatorinio įrankio naudojimas ir priežiūra

1. Įkraukite naudodami tik gamintojo nurodytą įkroviklį. Įkroviklis, kuris tinka vienam akumuliatorių tipui įkrauti, gali kelti gaisro pavojų, jei bus naudojamas su kitų tipų akumuliatoriais.
2. Elektrinius įrankius naudokite tik su specialiai jiems skirtais akumuliatoriais. Naudojant bet kurį kitą akumuliatorių gali kilti sužeidimo ir gaisro pavojus.
3. Kai akumuliatorius nėra naudojamas, laikykite jį toliau nuo kitų metalinių daiktų, pavyzdžiui, poeriaus sąvaržėlių, monetų, raktų, vinių, varžtų ir kitų mažų metalinių daiktų, dėl kurių gali kilti trumpasis jungimas tarp kontaktų. Akumuliatorių kontaktų trumpasis jungimas gali būti nudegimų arba gaisro priežastimi.
4. Netinkamai naudojant iš akumuliatoriaus gali ištekėti skysčiai. Venkite sąlyčio su juo. Jei sąlytis atsitiktinai įvyko, gausiai nuplaukite vandeniu. Jei skysčio pateko į akis, kreipkitės į gydytoją. Iš akumuliatoriaus išbėgęs skystis gali sudirginti arba nudeginti odą.
5. Nenaudokite sugadinto ar modifikuoto akumuliatoriaus arba įrankio. Sugadinti arba modifikuoti akumuliatoriai gali veikti neįprastai, todėl gali kilti gaisras, sprongimas arba sužalojimo rizika.
6. Saugokite akumuliatorių arba įrankį nuo ugnies ar pernelyg aukštos temperatūros. Dėl ugnies ar 130 °C viršijančios temperatūros gali kilti sprongimas.
7. Laikytės visų įkrovimo nurodymų ir nekraukite akumuliatoriaus ar įrankio, kai temperatūra neatitinka nurodymuose pateikto temperatūros intervalo. Netinkamai įkraunant arba įkraunant esant kitam nei nustatytas temperatūros intervalui, gali būti sugadintas akumuliatorius ar padidėti gaisro rizika.

Elektros ir akumuliatoriaus sauga

1. Nemeskite akumuliatoriaus (-ių) į ugnį. Akumuliatoriaus elementas gali sprogti. Pasitikrinkite, ar vietiniai įstatymai nenurodo specialių išmetimo būdo.
2. Neatidarykite ir neardykite akumuliatoriaus (-ių). Ištekėjęs elektrolitas yra esdinančioji medžiaga, kuri gali pažeisti akis ar odą. Nurytas jis gali apnuodyti.
3. Nenaudokite akumuliatoriaus lyjant arba drėgnose vietose.
4. Nekraukite akumuliatoriaus lauke.
5. Neimkite įkroviklio, įskaitant įkroviklio kištuką ir gnybtus, drėgnomis rankomis.
6. Nekeiskite akumuliatoriaus lyjant.
7. Negalima šlapinti akumuliatoriaus gnybto skysčiu, pvz., vandeniu, arba panardinti akumuliatoriaus. Nepalikite akumuliatoriaus lietuje, neįkraukite, nenaudokite ir nekeiskite akumuliatoriaus šlapioje arba drėgnoje vietoje. Jei gnybtas sušlampa arba į akumuliatoriaus vidų patenka skysčio, gali kilti trumpasis akumuliatoriaus jungimas ir perkaitimo, gaisro arba sprongimo pavojus.
8. Išėmę akumuliatorių iš mašinos arba įkroviklio, būtina uždėkite akumuliatoriaus dangtelį ant akumuliatoriaus ir laikykite jį sausoje vietoje.

9. Nekeiskite akumulatoriaus šlapiomis rankomis.
10. Nedirbkite pavojingomis sąlygomis. Nenaudokite šio įrenginio drėgnoje arba šlapioje vietoje, saugokite jį nuo lietaus. Į įrenginį patekęs vanduo padidins elektros smūgio pavojų.
11. Jeigu akumulatoriaus kasetė sudrėksta, pašalinkite vandenį iš vidaus ir tuomet išvalykite sausa šluoste. Prieš naudodami, visiškai išdžiovinkite akumulatoriaus kasetę sausoje vietoje.

Techninė priežiūra

1. Tegu jūsų elektrinio įrankio techninę priežiūrą atlieka kvalifikuotas remonto meistras, naudodamas tik identiškas atsargines dalis. Tai užtikrina, kad elektrinis įrankis liks saugus naudoti.
2. Niekada neatlikite pažeistų akumuliatorių techninės priežiūros. Akumuliatorių techninę priežiūrą turi atlikti tik gamintojas arba įgaliotieji techninės priežiūros paslaugų teikėjai.

SAUGOKITE ŠIAS INSTRUKCIJAS.

⚠️PSPĖJIMAS: NELEISKITE, kad patogumas ir gaminio pažinimas (įgyjamas pakartotinai naudojant) susilpnintų griežtą saugos taisyklių, taikytinų šiam gaminiui, laikymąsi.

Dėl NETINKAMO NAUDOJIMO arba saugos taisyklių, kurios pateiktos šioje instrukcijoje, nesilaikymo galima rimtai susižeisti.

Svarbios saugos instrukcijos, taikomos akumulatoriaus kasetei

1. Prieš naudodami akumulatoriaus kasetę, perskaitykite visas instrukcijas ir perspėjimus ant (1) akumuliatorių įkroviklio, (2) akumuliatorių ir (3) akumuliatorių naudojančio gaminio.
2. Neardykite ir negadinkite akumulatoriaus kasetės. Dėl to ji gali užsidegti, per daug įkaisti arba sprogti.
3. Jei įrankio darbo laikas žymiai sutrumpėjo, nedelsdami nutraukite darbą su įrankiu. Tai gali kelti perkaitimo, nudegimų ar net sprogdimo pavojų.
4. Jei elektrolitas pateko į akis, plaukite jas tyru vandeniu ir nedelsdami kreipkitės į gydytoją. Gali kilti regėjimo praradimo pavojus.
5. Neužtrumpinkite akumulatoriaus kasetės:
 - (1) Nelieskite kontaktų degiomis medžiagomis.
 - (2) Venkite laikyti akumulatoriaus kasetę kartu su kitais metaliniais daiktai, pavyzdžiui, vinimis, monetomis ir pan.
 - (3) Saugokite akumulatoriaus kasetę nuo vandens ir lietaus.

Trumpasis jungimas akumuliatoriuje gali sukelti stiprią srovę, perkaitimą, galimus nudegimus ar net akumulatoriaus gedimą.
6. Nelaikykite ir nenaudokite įrankio ir akumulatoriaus kasetės vietose, kur temperatūra gali pasiekti ar viršyti 50 °C (122 °F).
7. Nedeginkite akumulatoriaus kasetės, net jei yra stipriai pažeista ar visiškai susidėvėjusi. Ugnyje akumulatoriaus kasetė gali sprogti.
8. Akumulatoriaus kasetės nekalkite, nepaus-tykite ir nemėtykite ir taip pat į ją netrankykite kietu daiktu. Taip elgiantis, ji gali užsidegti, per daug įkaisti arba sprogti.
9. Nenaudokite pažeisto akumulatoriaus.
10. Įdėtoms ličio jonų akumuliatoriams taikomi Pavojingų prekių teisės akto reikalavimai. Komercinis transportas, pvz., trečiųjų šalių, prekių vežimo atstovų, turi laikytis specialaus reikalavimo ant pakuotės ir ženklavimo. Norėdami paruošti siųstiną prekę, pasitarkite su pavojingam medžiagų specialistu. Be to, laikykitės gaminto išsamesnių nacionalinių reglamentų. Užklijuokite juosta arba padenkite atvirus kontaktus ir supakuokite akumuliatorių taip, kad ji pakuotėje nejudėtų.
11. Kai išmetate akumulatoriaus kasetę, išimkite ją iš įrankio ir išmeskite saugioje vietoje. Vadovaukitės vietos reglamentais dėl akumuliatorių išmetimo.
12. Baterijas naudokite tik su „Makita“ nurodytais gaminiais. Baterijas įdėjus į netinkamus gaminius gali kilti gaisras, gaminys pernelyg kaisti, kilti sprogimas arba pratekėti elektrolitas.
13. Jei įrankis bus ilgą laiką nenaudojamas, akumuliatorių būtina išimti iš įrankio.
14. Darbo metu ir po akumulatoriaus kasetė gali būti įkaitusi ir dėl to nudeginti. Imdami akumulatoriaus kasetes, būkite atsargūs.
15. Tuojau pat po naudojimo nelieskite įrankio gnybtų, nes jie gali būti įkaitę tiek, kad nudegins.
16. Nelieskite, kad į akumulatoriaus kasetės gnybtus, angas ir griovelius patektų drožlių, dulkių ar žemių. Jos gali sukelti kaitimą, užsidegti, sprogti ir sukelti įrankio ar akumulatoriaus kasetės gedimą, dėl ko galima nusideginti ar susižaloti.
17. Jeigu įrankis nėra pritaikytas naudoti šalia aukštos įtampos elektros linijų, akumulatoriaus kasetės nenaudokite šalia aukštos įtampos elektros linijų. Dėl to gali sutrikti įrankio ar akumulatoriaus kasetės veikimas arba jie gali sugesti.
18. Laikykite akumuliatorių vaikams nepasiekiamoje vietoje.

SAUGOKITE ŠIAS INSTRUKCIJAS.

⚠️PERSPĖJIMAS: Naudokite tik originalų „Makita“ akumuliatorių. Neoriginalaus „Makita“ arba pakeisto akumulatoriaus naudojimas gali nulemti gaisrą, asmens sužalojimą ir pažeidimą. Tai taip pat panaikina „Makita“ suteikiamą „Makita“ įrankio ir įkroviklio garantiją.

Patarimai, ką daryti, kad akumuliatorius veiktų kuo ilgiau

1. Pakraukite akumuliatoriaus kasetę prieš ją visiškai išsikraunant. Visuomet nustokite naudoti įrankį ir pakraukite akumuliatoriaus kasetę, kai pastebite, kad įrankio galia sumažėjo.
2. Niekada nekraukite iki galo įkrautos akumuliatoriaus kasetės. Perkraunant trumpėja akumuliatoriaus eksploatacijos laikas.
3. Akumuliatoriaus kasetę kraukite esant kambario temperatūrai 10 - 40 °C. Prieš pradėdami krauti, leiskite įkaitusiai akumuliatoriaus kasetei atvėsti.
4. Kai akumuliatoriaus kasetės nenaudojate, ją išimkite iš įrankio ar įkroviklio.
5. Įkraukite akumuliatoriaus kasetę, jei jos nenaudojate ilgą laiką (ilgiau nei šešis mėnesius).

SURINKIMAS

⚠ JSPĖJIMAS: Prieš pradėdami bet kokius darbus su įrenginiu, būtinai išimkite visas akumuliatoriaus kasetes. Neišėmus visų akumuliatoriaus kasečių, galima sunkiai susižeisti dėl atsitiktinio įrenginio paleidimo.

⚠ JSPĖJIMAS: Niekada nepaleiskite vejąpovės, kol ji nėra visiškai surinkta. Naudojant iš dalies surinktą mašiną, ji gali netyčia pasileisti ir sunkiai sužeisti.

Rankenos montavimas

PASTABA: Įrengdami rankenas būkite atidūs, kad tarp jų neprispaustumėte kabelio. Jei kabelis bus apgadintas, gali neveikti vejąpovės jungiklis.

1. Sulygiuokite kiurymę apatinėje rankenoje su kiuryme viršutinėje, tada iš išorės įkiškite varžtą ir iš vidaus priveržkite sparnuotąją veržlę. Tą pačią procedūrą pakartokite kitoje pusėje.
▶ **Pav.1:** 1. Varžtas 2. Sparnuotoji veržlė 3. Apatinė rankena 4. Viršutinė rankena
2. Pasukite rankenėlę 90° kampu traukdami apatinės rankenos rankenėlę, kad atleistumėte užrakinimo kaištį. Tą pačią procedūrą pakartokite kitoje pusėje. Pakelkite rankeną ir tada pasukite rankenėlę abiejose pusėse 90° kampu. Įsitinkinkite, kad rankenėlės saugiai užfiksuotos.
▶ **Pav.2:** 1. Rankenėlė

PASTABA: Prilaikant rankeną ir traukiant rankenėlę, lengviau atleisti užrakinimo kaištį.

PASTABA: Sukdami rankenėlę būkite atsargūs, kad už jos neužkliūtų laidas.

- ▶ **Pav.3:** 1. Rankenėlė

Mulčiavimo kaiščio nuėmimas

1. Atidarykite galinį dangtelį.
▶ **Pav.4:** 1. Galinis dangtelis
2. Šiek tiek pakelkite mulčiavimo kaištį ir išimkite.
▶ **Pav.5:** 1. Mulčiavimo kaištis

Žolės surinkimo krepšio surinkimas

1. Paimkite žolės surinkimo krepšio viršutinį spaustuką.
▶ **Pav.6:** 1. Viršutinis spaustukas
2. Iki galo įdėkite rėmelį į žolės surinkimo krepšį, prilaikydami rėmelio rankeną.
▶ **Pav.7:** 1. Rankena

PASTABA: Nekiškite rankenos į žolės surinkimo krepšį. Būtinai įdėkite rėmelį palei žolės surinkimo krepšio siūlę.

3. Įsitinkinkite, kad žolės surinkimo krepšio kampai nebūtų sukritę.
▶ **Pav.8**
4. Atlaisvinkite viršutinį spaustuką ir pritvirtinkite jį prie rėmelio.
▶ **Pav.9**
5. Visus kitus spaustukus pritvirtinkite, kaip parodyta piešinyje. Įsitinkinkite, kad visi spaustukai tvirtai pritvirtinti prie rėmo.
▶ **Pav.10:** 1. Spaustukas

Žolės surinkimo krepšio uždėjimas ir nuėmimas

Norėdami uždėti žolės surinkimo krepšį, atlikite toliau nurodytus veiksmus.

1. Atidarykite galinį dangtelį.
▶ **Pav.11:** 1. Galinis dangtelis
2. Suimkite žolės surinkimo krepšio rankeną, tada pakabinkite žolės krepšį ant vejąpovės korpuso strypo, kaip parodyta paveikslėlyje.
▶ **Pav.12:** 1. Žolės surinkimo krepšys 2. Rankena 3. Strypas

Norėdami nuimti žolės surinkimo krepšį, atidarykite galinį dangtelį ir nuimkite žolės surinkimo krepšį, suėmę už jo rankenos.

Mulčiavimo kaiščio uždėjimas

1. Atidarykite galinį dangtelį ir išimkite žolės surinkimo krepšį.
▶ **Pav.13:** 1. Galinis dangtelis 2. Žolės surinkimo krepšys
2. Prijunkite mulčiavimo kaištį, iki galo įkišdami jį, kad jo iškyšos sutaptų su įrenginio kiurymėmis.
▶ **Pav.14:** 1. Mulčiavimo kaištis 2. Iškyša

Išmetimo deflektoriaus uždėjimas arba nuėmimas

Norėdami uždėti išmetimo deflektorių, atlikite toliau nurodytus veiksmus.

1. Atidarykite galinį dangtį ir nuimkite žolės surinkimo krepšį bei mulčiavimo kaištį.
2. Užkabinkite išmetimo deflektoriaus skyles ant vejąpovės korpuso iškyšų, kaip parodyta paveikslėlyje.
▶ **Pav.15:** 1. Išmetimo deflektorius 2. Iškyša

Norėdami nuimti išmetimo deflektorių, atidarykite galinį dangtį ir nuimkite išmetimo deflektorių.

VEIKIMO APRAŠYMAS

Akumulatoriaus kasetės uždėjimas ir nuėmimas

⚠️ PERSPĖJIMAS: Prieš įdėdami arba išimdami akumulatoriaus kasetę, visada išjunkite mašiną.

⚠️ PERSPĖJIMAS: Įdėdami arba išimdami akumulatoriaus kasetę, tvirtai laikykite mašiną ir akumulatoriaus kasetę. Jeigu mašiną ir akumulatoriaus kasetę laikysite netvirtai, jie gali išslysti iš rankų, todėl mašina ir akumulatoriaus kasetė gali būti sugadinti, o naudotojas sužalotas.

⚠️ PERSPĖJIMAS: Prieš pradėdami naudoti, įsitikinkite, ar akumulatoriaus dangtelis užfiksuotas. Kitaip gali patekti purvo, nešvarumų arba vandens ir gaminyje arba akumulatoriaus kasetėje gali sugesti.

⚠️ PERSPĖJIMAS: Akumulatoriaus kasetę visada kiškite iki galo, kol nebematysite raudono indikatorius. Kitaip ji gali atsitiktinai iškristi iš mašinos ir sužaloti jus arba aplinkinius žmones.

⚠️ PERSPĖJIMAS: Nekiškite akumulatoriaus kasetės jėga. Jeigu kasetė sunkiai lenda, ją kiškite netinkamai.

⚠️ PERSPĖJIMAS: Įdėdami arba išimdami akumuliatorių tvirtai laikykite akumulatoriaus dangtį.

Norėdami įdėti akumulatoriaus kasetę;

1. Ištraukite fiksavimo svirtį ir atidarykite akumulatoriaus dangtelį.

► **Pav.16:** 1. Akumulatoriaus skyriaus dangtelis
2. Užrakto svirtelė

2. Sulygiuokite akumulatoriaus kasetės liežuvėlį su grioveliu mašinoje ir stumkite kasetę, kol ji tyliai spragtelėjusi užsifiksuos.

► **Pav.17:** 1. Akumulatoriaus kasetė

3. Uždarykite akumulatoriaus skyriaus dangtelį ir spauskite jį tol, kol fiksavimo svirtis jį užsklės.

Kaip ištraukti akumulatoriaus kasetę:

1. Ištraukite fiksavimo svirtį ir atidarykite akumulatoriaus dangtelį.

2. Slinkdami mygtuką, esantį kasetės priekyje, ištraukite akumulatoriaus kasetę iš mašinos.

3. Uždenkite akumulatoriaus skyriaus dangtelį.

Mašinos / akumulatoriaus apsaugos sistema

Mašinoje įrengta mašinos / akumulatoriaus apsaugos sistema. Ši sistema automatiškai atjungia variklio maitinimą, kad mašina ir akumulatorius ilgiau veiktų. Mašina automatiškai išsijungs veikimo metu atsiradus vienai iš toliau nurodytų mašinos arba akumulatoriaus sąlygų:

Apsauga nuo perkrovos

Kai akumulatorius naudojamas taip, kad neįprastai padidėja elektros srovė, mašina automatiškai sustoja, o pagrindinė maitinimo lemputė mirks žalia spalva. Tokiu atveju išjunkite mašiną ir nutraukite darbą, dėl kurio atsirado perkrova. Tada vėl įjunkite mašiną ir pradėkite iš naujo.

Apsauga nuo perkaitimo

Jei įrenginys perkaista, jis automatiškai sustoja, o pagrindinė maitinimo lemputė ima šviesti raudona spalva. Tokiu atveju, prieš vėl įjungdami įrenginį, leiskite jam ir akumulatoriams atvėsti.

PASTABA: Kai akumulatorius perkaista, ima raudona spalva mirksėti pagrindinė maitinimo lemputė.

Apsauga nuo visiško išsekvojimo

Jeigu likusios akumulatoriaus galios nepakanka, mašina automatiškai sustoja, o pagrindinė maitinimo lemputė mirks raudona spalva. Tokiu atveju išimkite akumuliatorių iš mašinos ir įkraukite akumulatoriaus kasetes arba pakeiskite akumulatoriaus kasetes visiškai įkrautomis.

Apsaugos dėl kitų priežasčių

Apsaugos sistema taip pat saugo esant kitų priežasčių, dėl kurių gali sugesti įrenginys, ir leidžia jam automatiškai išsijungti. Įrenginiui laikinai sustojus arba veikimo metu išsijungus, imkitės visų toliau nurodytų veiksmų ir pašalinkite to priežastis.

1. Išjunkite įrenginį, tada vėl įjunkite, kad paleistumėte iš naujo.
2. Įkraukite akumuliatorių (-ius) arba jį (juos) pakeiskite įkrautu (-ais) akumulatoriumi (-iais).
3. Palaukite, kol įrenginys ir akumulatorius (-iai) atvės.

Jei, atkūrus apsaugos sistemą, veikimas nepagerėja, kreipkitės į vietos „Makita“ priežiūros centrą.

PASTABA: Jei įrenginys sustoja dėl pirmiau neapibūdintos priežasties, žr. triklių šalinimo skirsnį.

Likusios akumulatoriaus galios rodymas

► **Pav.18:** 1. Akumulatoriaus indikatorius

Kai akumulatoriuje lieka mažai energijos, atitinkamo akumulatoriaus pusėje pradeda mirksėti akumulatoriaus indikatorius. Jei įrenginys naudojamas toliau, jis sustoja ir įsijungia akumulatoriaus indikatorius. Tokiu atveju įkraukite akumuliatorių.

PASTABA: Jei sumontuotos dvi akumulatoriaus kasetės, pirma naudojamas kairėje sumontuotas akumulatorius.

PASTABA: Jei sumontuotos dvi akumulatoriaus kasetės, įrenginys automatiškai perjungia akumuliatorių, kai naudojamas akumulatorius išsekvojamas.

Likusios akumulatoriaus galios rodymas

Paspauskite akumulatoriaus kasetės tikrinimo mygtuką, kad būtų rodoma likusi akumulatoriaus energija. Maždaug trims sekundėms užsidegs indikatorių lemputės.

► **Pav.19:** 1. Indikatorių lemputės 2. Tikrinimo mygtukas

Indikatorių lemputės			Likusi galia
Šviečia	Nešviečia	Blyksi	
■	□	⚡	
■ ■ ■ ■			75 - 100 %
■ ■ ■ □			50 - 75 %
■ ■ □ □			25 - 50 %
■ □ □ □			0 - 25 %
⚡ □ □ □ □			Įkraukite akumulatorių.
■ ■ □ □	↑ ↓	□ □ ■ ■	Galimai įvyko akumulatoriaus veikimo triktis.

PASTABA: Rodmuo gali šiek tiek skirtis nuo faktinės energijos lygio – tai priklauso nuo naudojimo sąlygų ir aplinkos temperatūros.

PASTABA: Veikiant akumulatoriaus apsaugos sistemai ims mirksėti pirmoji (toliausiai kairėje) indikatoriaus lemputė.

Valdymo pultas

Valdymo pulte yra pagrindinis maitinimo jungiklis ir režimų perjungimo mygtukas.

► **Pav.20:** 1. Švelnaus režimo be apkrovos lemputė 2. Triukšmą mažinančio režimo lemputė 3. Režimo perjungimo mygtukas 4. Pagrindinė maitinimo lemputė 5. Pagrindinis maitinimo jungiklis

Pagrindinis maitinimo jungiklis

⚠ JSPĖJIMAS: Kai nenaudojate, visada išjunkite pagrindinį maitinimo jungiklį.

Norėdami įjungti mašiną, paspauskite pagrindinį maitinimo jungiklį. Pagrindinė maitinimo lemputė užsidega žalia spalva. Norėdami išjungti mašiną, dar kartą paspauskite pagrindinį maitinimo jungiklį.

PASTABA: Jei pagrindinė maitinimo lemputė šviečia raudona spalva arba mirksi raudona ar žalia spalva, žr. mašinos / akumulatoriaus apsaugos sistemos instrukcijas.

PASTABA: Ši mašina turi automatinio išjungimo funkciją. Siekiant išvengti atsiktinio paleidimo, pagrindinis maitinimo jungiklis automatiškai išsijungia, jei svirtinis jungiklis ir eigos svirtelė (jei ji įrengta) nėra patraukiami per tam tikrą laiką po pagrindinio maitinimo jungiklio įjungimo.

Režimo perjungimo mygtukas

Darbo režimą galite perjungti, paspausdami režimo perjungimo mygtuką. Įjungus mašiną, ji pasileidžia įprastiniu režimu.

Visus režimus žr. lentelėje toliau.

Režimas	Lemputė	Aprašymas
Įprastinis režimas	Švelnaus režimo be apkrovos ir triukšmą mažinančio režimo lemputės išjungtos.	Įrenginys veikia įprastiniu režimu.
Švelnus režimas be apkrovos	Švelnaus režimo be apkrovos režimo lemputė šviečia žaliai.	Galite sumažinti paleidimo smūgį ir tolygia paleisti įrenginį.
Triukšmą mažinantis režimas	Triukšmą mažinančio režimo lemputė šviečia žaliai.	Galite sumažinti pjovimo triukšmą.

Jungiklio veikimas

⚠ JSPĖJIMAS: Prieš įdėdami akumulatoriaus kasetę, visada patikrinkite, ar svirtinis jungiklis veikia tinkamai ir atleistas sugrįžta į pradinę padėtį. Naudojant mašiną, kurios jungiklis netinkamai veikia, galima jos nesuvaldyti ir sunkiai susižaloti.

PASTABA: Nepaspaudus įjungimo mygtuko, vejąpjavė nepasileidžia net ir patraukus už svirtinio jungiklio.

PASTABA: Vejąpjavės variklis gali būti neužvestas dėl perkrovos, kai vienu metu pjaunate ilgai ar tankią žolę. Tokiu atveju padidinkite pjovimo aukštį.

Šiame įrenginyje yra įjungimo mygtukas. Jei pastebėjote, kad įjungimo mygtukas veikia neįprastai, tuoj pat nutraukite darbą ir pasirūpinkite, kad įrenginys būtų patikrintas artimiausiam įgaliotajame „Makita“ priežiūros centre.

1. Įdėkite akumulatoriaus kasetes, tada uždenkite akumulatorių skyriaus gaubtą.
2. Paspauskite pagrindinį maitinimo jungiklį.

PASTABA: Jei paspausite pagrindinį maitinimo jungiklį, traukdami svirtinį jungiklį, pagrindinė maitinimo lemputė ims mirksėti žaliai. Atleiskite svirtinį jungiklį prieš spausdami pagrindinį maitinimo jungiklį.

3. Laikydami nuspaudę įjungimo mygtuką, traukite svirtinį jungiklį savęs link. Kai tik variklis pasileidžia, įjungimo mygtuką atleiskite.

► **Pav.21:** 1. Mygtukas 2. Svirtinis jungiklis

4. Laikydami svirtinį jungiklį, pastumkite eigos svirtelę pirmyn ir laikykite, kad pajudėtų užpakaliniai ratai.

► **Pav.22:** 1. Eigos svirtelė

PASTABA: Užpakalinius ratus galite judinti stumdami eigos svirtelę pirmyn ir ją laikydami, bet netraukdami svirtinio jungiklio.

5. Norėdami sustabdyti mašiną, atleiskite eigos svirtelę ir svirtinį jungiklį.

Žolės pjovimo aukščio reguliavimas

ĮSPĖJIMAS: Reguluodami žolės pjovimo aukštį, niekada nekiškite rankų ar kojų po veļapjovės korpusu.

ĮSPĖJIMAS: Prieš pradėdami darbą, visada įsitikinkite, ar svirtis tinkamai įtaisyta griovelyje.

Žolės pjovimo aukštį galima reguliuoti nuo 20 mm iki 100 mm.

Išjunkite įrenginį, tada traukite pjovimo aukščio reguliavimo svirtelę veļapjovės korpuso išorėje ir nustatykite į norimą pjovimo aukštį.

► **Pav.23:** 1. Pjovimo aukščio reguliavimo svirtis

Toliau pateiktoje lentelėje parodytas ryšys tarp skaičių, esančių ant veļapjovės korpuso, ir apytikslio pjovimo aukščio.

Skaičius	Pjovimo aukštis
1	20 mm
2	26 mm
3	32 mm
4	39 mm
5	47 mm
6	55 mm
7	63 mm
8	74 mm
9	86 mm
10	100 mm

Viena ranka laikykite apatinę rankeną, o kita ranka stumkite pjovimo aukščio reguliavimo svirtelę.

► **Pav.24:** 1. Pjovimo aukščio reguliavimo svirtis
2. Apatinė rankena

PASTABA: Žolės pjovimo aukščio paveikslėliai yra tik orientacinio pobūdžio. Atsižvelgiant į vejos ar žemės paviršiaus sąlygas, faktinis vejos aukštis gali šiek tiek skirtis nuo nustatytojo.

PASTABA: Pradžioje pabandykite pjauti žolę mažiau pastebimoje vietoje, kad nustatytumėte pageidaujamą aukštį.

Žolės lygio indikatorius

Žolės lygio indikatorius rodo nupjautos žolės tūrį. Kai žolės surinkimo krepšys nepilnas, peiliams sukantis indikatorius plevena.

► **Pav.25:** 1. Žolės lygio indikatorius

Kai žolės surinkimo krepšys beveik pilnas, peiliams sukantis indikatorius neplevena. Tokiu atveju nedelsdami nutraukite darbą ir ištuštinkite krepšį.

► **Pav.26:** 1. Žolės lygio indikatorius

PASTABA: Šis indikatorius nėra tikslus kontrolinis įtaisas. Atsižvelgiant į krepšio viduje esančias sąlygas, šis indikatorius gali veikti netinkamai.

Rankenos aukščio reguliavimas

Rankenos aukštį galima nustatyti į du lygius.

1. Paimkite už apatinės rankenos ir pasukite rankenėlę 90° kampu, traukdami apatinės rankenos rankenėlę, kad atleistumėte užrakinimo kaištį. Tą pačią procedūrą pakartokite kitoje pusėje.

► **Pav.27:** 1. Apatinė rankena 2. Rankenėlė

PASTABA: Prilaukiant rankeną ir traukiant rankenėlę, lengviau atleisti užrakinimo kaištį.

2. Nustatykite rankenos aukštį ir pasukite rankenėlę abiejose pusėse 90° kampu. Įsitikinkite, kad rankenėlės saugiai užfiksuotos.

► **Pav.28:** 1. Rankenėlė

Važiavimo greičio reguliavimas

► **Pav.29:** 1. Greičio svirtelė

Važiavimo greitį galima reguliuoti greičio svirtelė. Jei norite sumažinti greitį, patraukite svirtelę savęs link, o jei norite padidinti greitį, pastumkite svirtelę pirmyn.

Mulčiavimo kaiščio naudojimas

Mulčiavimo kaištis leidžia gražinti nupjautą žolę ant žemės paviršiaus, kad ji nesikaupytų žolės surinkimo krepšyje. Mašiną naudojant su mulčiavimo kaiščiu, būtina nuimti žolės surinkimo krepšį arba išmetimo deflektorius.

PASTABA: Mašiną naudodami su mulčiavimo kaiščiu, užtikrinkite, kad bendras žolės ilgis po pjovimo būtų 30 mm ar didesnis, o pjovimo ilgis būtų 15 mm ar mažesnis.

► **Pav.30:** (1) 30 mm ar daugiau (2) 15 mm ar mažiau

Išmetimo deflektoriaus naudojimas

Išmetimo deflektorius leidžia išmesti nupjautą žolę ant žemės paviršiaus iš dešinės mašinos pusės, kad ji nesikaupytų žolės surinkimo krepšyje. Mašiną naudojant su išmetimo deflektoriumi, būtina nuimti žolės surinkimo krepšį ir mulčiavimo kaištį.

Galinės išmetimo dalies naudojimas

Galinė išmetimo dalis leidžia išmesti nupjautą žolę ant žemės paviršiaus iš galinės mašinos pusės, kad ji nesikaupytų žolės surinkimo krepšyje.

Kai naudojate įrenginį, naudodami galinę išmetimo dalį, būtina nuimti mulčiavimo kaištį ir žolės surinkimo krepšį arba išmetimo deflektorius ir uždaryti galinį gaubtą.

Elektroninė funkcija

Mašina turi paprastas naudoti elektrines funkcijas.

- Švelnus paleidimas įjungus Švelnaus paleidimo funkcija iki minimumo sumažina paleidimo smūgį ir leidžia sklandžiai paleisti mašiną.
- Elektrinis stabdiklis Šioje mašinoje įrengtas elektrinis stabdiklis. Jei kaskart atleisdu svirtinį jungiklį mašina ne iškart sustabdo veļapjovės peilius, pristatykite ją į įgaliotąjį „Makita“ techninės priežiūros centrą, kad atliktų techninę priežiūrą.

NAUDOJIMAS

Žolės pjovimas

⚠️ JSPĖJIMAS: Prieš pradėdami pjauti žolę, surinkite nuo vejos šakas ir akmenis. Prieš pradėdami pjauti žolę, taip pat išraukite visas piktžoles.

⚠️ JSPĖJIMAS: Naudodami vejapjovę, visada dėvėkite apsauginius akinius arba apsauginius akinius su šoniniais apsauginiais skydais.

⚠️ PERSPĖJIMAS: Jei nupjauta žolė ar pašalinis objektas įstringa vejapjovės korpuso viduje, prieš šalindami žolę ar pašalinį objektą būtina išimkite akumulatoriaus kasetes ir užsimaukite pirštines.

PASTABA: Įrenginį naudokite tik vejai pjauti. Šiuo įrenginiu nepjaukite piktžolių.

► Pav.31

Pjaudami žolę, tvirtai abiem rankomis laikykite rankeną. Pjovimo greičio orientyras yra maždaug 7–14 metrų per 10 sekundžių.

► Pav.32

PASTABA: Jei, pjaudami aukštą arba tankią veją, pastebėjote jos aukščio netolygumų arba prastos pjovimo kokybės apraiškų, taip pat jei pjaunant veją sumažėjo variklio sukimosi greitis, sumažinkite pjovimo greitį (dar labiau, nei rekomenduojama šiame vadove) arba padidinkite pjovimo aukštį.

Priekinių ratų vidurio linijos yra pjovimo pločio orientyrai. Vadovaudamiesi vidurio linijomis kaip orientyrais, pjaukite juostomis. Jei norite tolygiai nupjauti veją, pjaunant naują juostą, turi persidengti nuo pusės iki trečdaliao ankstesnės juostos.

► Pav.33: 1. Pjovimo plotis 2. Persidengianti sritis 3. Vidurio linija

Kaskart pakeiskite pjovimo kryptį, kad vejos pjovimo raštas nesusiforuotų tik viena kryptimi.

► Pav.34

Reguliarai tikrinkite nupjautos žolės surinkimo krepšį. Ištuštininkite žolę, kol jis dar nėra pilnas. Prieš kiekvieną reguliarią patikrinimą būtina sustabdykite ir išjunkite įrenginį.

PASTABA: Naudojant vejapjovę su pilnu žolės surinkimo krepšiu, peiliai negali tolygiai sukis, o varikliui tenka papildoma apkrova, todėl jis gali sugesti.

Aukštos vejos pjovimas

Nebandykite nupjauti aukštos vejos per vieną kartą. Vietoj to pjaukite veją etapais. Tarp pjovimų darykite vienos arba dviejų dienų pertraukas, kol veja taps vienodai trumpa.

► Pav.35

PASTABA: Mėginant iš karto nupjauti veją trumpai, galima ją sugadinti. Be to, nupjauta žolė gali susikaupti vejapjovės korpusė ir ją užkimšti.

PASTABA: Jei nupjovę veją pastebėsite jos ilgio netolygumų arba prastos pjovimo kokybės reiškinių, taip pat jei pjaunant veją sumažės variklio sūkliai, sumažinkite pjovimo greitį arba padidinkite pjovimo aukštį.

Žolės surinkimo krepšio ištuštinimas

⚠️ JSPĖJIMAS: Norėdami sumažinti nelaimingų atsitikimų pavojų, reguliariai tikrinkite žolės surinkimo krepšį, ar jis nesugadintas arba nesusilpnėjęs. Jei reikia, pakeiskite žolės surinkimo krepšį.

1. Atleiskite svirtinį jungiklį ir eigos svirtelę.
 2. Išjunkite įrenginį.
 3. Atidarykite galinį gaubtą ir nuimkite žolės surinkimo krepšį, suėmę jį už jo rankenos.
- Pav.36: 1. Galinis dangtelis 2. Rankena 3. Žolės surinkimo krepšys
4. Išpilkite žolę iš žolės surinkimo krepšio.

TECHNINĖ PRIEŽIŪRA

⚠️ JSPĖJIMAS: Prieš pastatydami vejapjovę į vietą arba ją nešdami, prieš pradėdami jos tikrinimo arba techninės priežiūros darbus, visuomet įsitikinkite, kad visos akumulatoriaus kasetės išimtos.

⚠️ JSPĖJIMAS: Atlikdami patikrinimo arba techninės priežiūros darbus, mėvėkite pirštines.

⚠️ JSPĖJIMAS: Naudodami arba prižiūrėdami vejapjovę, visada dėvėkite apsauginius akinius arba apsauginius akinius su šoniniais apsauginiais skydais.

PASTABA: Niekada nenaudokite gazolino, benzino, tirpiklio, spirito arba panašių medžiagų. Gali atsirasti išblukimų, deformacijų arba įtrūkimų.

Kad gaminyje būtų SAUGUS ir PATIKIMAS, jį taisyti, apžiūrėti ar vykdyti bet kokią kitą priežiūrą ar derinimą turi įgaliotasis kompanijos „Makita“ techninės priežiūros centras; reikia naudoti tik kompanijos „Makita“ pagamintas atsargines dalis.

Priežiūra

1. Išimkite visas akumulatoriaus kasetes, tada uždenkite akumuliatorių skyriaus gaubtą.
2. Paguldykite vejapjovę ant šono. Išvalykite žolės nuopjovas, susikaupusias ant vejapjovės dugno.
3. Pilkite vandenį mašinos apačios link, kur pritvirtintas peilis.

PASTABA: Neplaukite mašinos aukšto slėgio vandeniu.

4. Patikrinkite, ar tvirtai priveržtos visos veržlės, varžtai, sraigčiai ir pan.

5. Apžiūrėkite visas judamąsias dalis, ar jos nėra sugadintos, sulūžusios ar nusidėvėjusios. Sugadintas arba trūkstamas dalis reikia remontuoti arba keisti naujomis.

6. Vejaplovę laikykite saugioje, vaikams nepasiekiamoje vietoje.

PASTABA: Nepilkite vandens į sritį, parodytą paveikslėlyje. Įpylus vandens į variklio bloką, mašina gali sugesti.

► **Pav.37:** 1. Sritis, į kurią negalima pilti vandens

PASTABA: Nepilkite vandens ant įrenginio, kai šis pastatytas stačias, kaip parodyta iliustracijoje. Kai įrenginys stovi stačias, vanduo gali patekti į variklio bloką ir sutrikdyti įrenginio veikimą.

► **Pav.38**

Vejaplovės nešimas

▲PERSPĖJIMAS: Prieš nešdami vejaplovę būtinai išimkite visas akumuliatorių kasetes.

Nešant vejaplovę, galinę rankeną ir apatinę laikymo dalį įrenginio priekyje turi laikyti du žmonės, kaip parodyta paveikslėlyje.

► **Pav.39:** 1. Apatinė laikymo dalis 2. Galinė rankena

Laikymas

▲PERSPĖJIMAS: Prirėikus pastatyti įrenginį stačią įsitikinkite, kad pagrindas, ant kurio stotė, yra plokščias ir stabilus. Jei įrenginį statysite ant nestabilaus pagrindo, jis gali nuvirsti ir ką nors sužaloti.

Vejaplovę laikykite vėsioje, sausoje rakinamoje patalpoje. Vejaplovės ir kroviklio nelaikykite tokiose vietose, kur temperatūra gali siekti arba viršyti 40 °C.

1. Išimkite visas akumuliatoriaus kasetes.
2. Pasukite rankenėlę 90° kampu traukdami apatinės rankenos rankenėlę, kad atleistumėte užrakinimo kaištį. Tą pačią procedūrą pakartokite kitoje pusėje ir tada nulenkite rankeną.

► **Pav.40:** 1. Rankenėlė

PASTABA: Prilaikant rankeną ir traukiant rankenėlę, lengviau atleisti užrakinimo kaištį.

3. Pasukite rankenėlę abiejose pusėse 90° kampu. Įsitikinkite, kad rankenėls saugiai užfiksuotos.

► **Pav.41:** 1. Rankenėlė

PASTABA: Lenkdami rankeną, būkite atidūs, kad neprispaustumėte kabelių.

4. Abiejose pusėse atlaisvinkite sparnuotąsias veržles ir nulenkite viršutinę rankeną, kaip pavaizduota iliustracijoje.

► **Pav.42:** 1. Sparnuotoji veržlė 2. Viršutinė rankena

5. Pastatykite įrenginį stačią.

PASTABA: Statydami vejaplovę stačią, laikykite ne tik už rankenos, bet ir už vejaplovės korpuso.

6. Sandėliuokite žolės krepšį, kaip parodyta iliustracijoje.

► **Pav.43:** 1. Žolės surinkimo krepšys

► **Pav.44:** 1. Žolės surinkimo krepšys

Vejaplovės peilio uždėjimas ir nuėmimas

▲JSPĖJIMAS: Atleidus jungiklį, peilis sukasi iš inercijos dar kelias sekundes. Kol peilis visiškai nesustoja, nepradėkite dirbti.

▲JSPĖJIMAS: Nuimdami arba montuodami peilį, visada išimkite visas akumuliatoriaus kasetes. Neišėmus visų akumuliatoriaus kasečių galima sunkiai susižeisti.

▲JSPĖJIMAS: Montuodami peilį, visuomet mūvėkite pirštines.

Vejaplovės peilio nuėmimas

1. Paverskite vejaplovę ant šono, kad pjovimo aukščio reguliavimo svirtis būtų viršuje.

2. Kad peilis nepasisuktų, į vejaplovės korpuse esančią angą iki pat galo įkiškite kaištį.

3. 17 dydžio veržliarakiu pasukite varžtą prieš laikrodžio rodyklę.

► **Pav.45:** 1. Vejaplovės peilis 2. Smaigas 3. Veržliaraktis

4. Išimkite varžtą, tada nuimkite vejaplovės peilį.

► **Pav.46:** 1. Peilio atrama 2. Vejaplovės peilis 3. Varžtas 4. Iškyša

PASTABA: Kai montuojate vejaplovės peilį, įsitikinkite, kad iškyšos ant peilio atramos įlenda į angas ant vejaplovės peilio.

Vejaplovės peilio įdėjimas

▲JSPĖJIMAS: Uždėdami vejaplovės peilį būkite atidūs. Jis turi viršutinę / apatinę puses.

▲JSPĖJIMAS: Tvirtai priveržkite varžtą, sukdami jį pagal laikrodžio rodyklę, kad užfiksuotumėte peilį.

▲JSPĖJIMAS: Įsitikinkite, kad vejaplovės peilis ir visos tvirtinamosios dalys tinkamai uždėtos ir tvirtai priveržtos.

▲JSPĖJIMAS: Keisdami peilius visada laikykite šiame vadove pateiktų instrukcijų.

PASTABA: Sumontavę vejaplovės peilius, ištraukite smaigį iš vejaplovės korpuso.

Norėdami sumontuoti vejaplovės peilius, atlikite nuėmimo procedūrą atvirkštine tvarka.

GEDIMŲ ŠALINIMAS

Prieš kreipdamiesi dėl remonto darbų, pirmiausia patikrinkite gedimus patys. Jeigu susidursite su problema, kuri nėra paaiškinta vadove, nemėginkite išrinkti mašinos. Verčiau kreipkitės į įgaliotuosius „Makita“ techninės priežiūros centrus, kuriuose remontui visuomet naudojamos „Makita“ pakaitinės dalys.

Neįprasta būklė	Tikėtina priežastis (triktis)	Ištaisomoji priemonė
Vejapjovė neįsijungia.	Neįdėta akumuliatoriaus kasetė.	Įdėkite įkrautą akumuliatoriaus kasetę.
	Akumuliatoriaus problema (per mažą įtampą)	Įkraukite akumuliatoriaus kasetę. Jei įkrovimas nepadeda, pakeiskite akumuliatoriaus kasetę.
Trumpai panaudojus variklis nustoja veikęs.	Žemas akumuliatoriaus įkrovos lygis.	Įkraukite akumuliatoriaus kasetę. Jei įkrovimas nepadeda, pakeiskite akumuliatoriaus kasetę.
	Pjovimo aukštis per mažas.	Padidinkite pjovimo aukštį.
	Nupjauta žolė vejapjovėje sudarė kamštį.	Pašalinkite iš vejapjovės nupjautos žolės kamštį.
Variklis nepasiekia didžiausio sūkių skaičiaus per minutę.	Netinkamai įdėta akumuliatoriaus kasetė.	Akumuliatoriaus kasetę įdėkite, kaip aprašyta šiame vadove.
	Mažėja akumuliatoriaus galia.	Įkraukite akumuliatoriaus kasetę. Jei įkrovimas nepadeda, pakeiskite akumuliatoriaus kasetę.
	Netinkamai veikia pavaros sistema.	Dėl remonto kreipkitės į vietinį įgaliotąjį techninės priežiūros centrą.
Vejapjovės peilis nesisuka: ⇒ nedelsdami sustabdykite vejapjovę!	Šalia peilio įstrigo pašalinis objektas, pvz., šaka.	Pašalinkite pašalinį objektą.
	Netinkamai veikia pavaros sistema.	Dėl remonto kreipkitės į vietinį įgaliotąjį techninės priežiūros centrą.
Neįprasta vibracija: ⇒ nedelsdami sustabdykite vejapjovę!	Peilis nesubalansuotas, pernelyg ar netolygiai nusidėvėjęs.	Pakeiskite peilį.

PASIRENKAMI PRIEDAI

⚠ PERSPĖJIMAS: Su šiame vadove nurodyta „Makita“ mašina rekomenduojama naudoti šiuos įtaisus arba priedus. Naudojant bet kokius kitus įtaisus arba priedus, gali kilti pavojus sužaloti žmones. Įtaisus arba priedus naudokite tik pagal nurodytą paskirtį.

Jeigu norite daugiau sužinoti apie tuos priedus, kreipkitės į artimiausią „Makita“ techninės priežiūros centrą.

- Vejapjovės peilis
- Originalūs „Makita“ akumuliatorius ir įkroviklis

PASTABA: Kai kurie sąraše esantys priedai gali būti pristatomi gaminio pakuotėje kaip standartiniai priedai. Įvairiose šalyse jie gali skirtis.

TEHNILISED ANDMED

Mudel:		LM001G	LM002G
Niitmislaius (tera läbimõõt)		480 mm	534 mm
Koormuseta kiirus	Normaalrežiim	3 200 min ⁻¹	2 800 min ⁻¹
	Koormuseta režiim	2 500 – 3 200 min ⁻¹	2 300 – 2 800 min ⁻¹
	Müra vähendamise režiim	2 500 min ⁻¹	2 300 min ⁻¹
Vahetatava niiduki tera osa number	Sirge niiduki tera	191V97-3	191V96-5
	Sirge niidukitera*1	-	191W87-2
	Multšimistera	191Y64-6	191Y65-4
Mõõtmed (P × L × K)	töötamise ajal	P: 1 670 mm kuni 1 745 mm L: 550 mm K: 965 mm kuni 1 075 mm	P: 1 740 mm kuni 1 810 mm L: 595 mm K: 970 mm kuni 1 080 mm
	hoiustatult (ilma murukogujata)	585 mm × 550 mm × 900 mm	580 mm × 595 mm × 930 mm
Liikumiskiirus		1,5 – 5,0 km/h	
Nimipinge		Alalisvool 36 V – 40 V max	
Netokaal		28,0 - 33,0 kg	29,3 - 34,5 kg
Kaitseaste		IPX4	

*1. Niidukitera muru tõhusamaks kogumiseks.

- Meie pideva uuringu- ja arendusprogrammi tõttu võidakse tehnilisi andmeid muuta ilma sellest ette teatamata.
- Tehnilised andmed võivad riigiti erineda.
- Kaal võib erineda olenevalt lisaseadistest, kaasa arvatud akukassetist. Kergeim ja raskeim kombinatsioon EPTA-protseduuri 01/2014 kohaselt on toodud tabelis.

Sobiv akukassett ja laadija

Akukassett	BL4020 / BL4025 / BL4040* / BL4050F* / BL4080F* *: Soovituslik aku
Laadija	DC40RA / DC40RB / DC40RC

- Mõned eespool loetletud akukassetid ja -laadijad ei pruugi olla teie riigis saadaval.

⚠ HOIATUS: Kasutage ainult ülalpool loetletud akukasseite ja laadureid. Muude akukassetide ja laadurite kasutamine võib tekitada vigastusi ja/või tulekahju.

⚠ HOIATUS: Ärge kasutage selle masinaga juhtmega vooluvarustust nagu akuadapter või portatiivne akukomplekt. Sellise vooluvarustuse juhe võib tööd takistada ja põhjustada kehavigastusi.

Sümbolid

Alljärgnevalt kirjeldatakse tingimärke, mida võidakse seadmetel kasutada. Enne seadme kasutamist tehke endale selgeks nende tähendus.



Olge äärmiselt ettevaatlik ja tähelepanelik.



Lugege juhendit.



Ohtlik; pidage silmas õhkpaiskuvaid objekte.



Seadme ja kõrvalseisjate vaheline vahekaugus peab olema vähemalt 15 m.



Ärge pange kunagi käsi või jalgu niiduki all oleva lõiketera lähedusse. Niiduki lõiketerad pöörlevad edasi ka pärast mootori väljalülitamist.



Hoiatus; lahutage aku enne hooldamist.



Elektrilöögihoht. Kokkupuude veega võib põhjustada elektrilöögi.



Ärge valage sellele vett.



Ainult EL-i riikeide puhul
Seadmes sisalduvate ohtlike osade tõttu võivad elektri- ja elektroonikaseadmete jäätmel, akud ja patareid avaldada negatiivset mõju keskkonnale ja inimeste tervisele.
Elektri- ja elektroonikaseadmeid ega akusid ei tohi kõrvaldada koos olmejäätmetega!
Euroopa elektri- ja elektroonikaseadmete jäätmel, akude ja patareide ning nende jäätmel direktiivi ja riiklikku õigusesse ülevõtmise kohaselt tuleb elektri- ja elektroonikaseadmete, akude ja patareide jäätmel koguda eraldi ning viia eraldiseisvasse olmejäätmete kogumispunkti, mis tegutseb kooskõlas keskkonnakaitse eeskirjadega. Sellele osutab seadmele paigaldatud läbikriipsutatud ratasestega prügikasti sümbol.



Garanteeritud helivõimsustase ELi välis-tingimustes kasutatavate seadmete müra direktiivi kohaselt.



Helivõimsustase Austraalia NSW müra-kontrolli määruse kohaselt

Kavandatud kasutus

Masin on ette nähtud muru niitmiseks.

Müra

Tüüpiline A-korrigeeritud müratase, määratud standardi EN62841-4-3 kohaselt:

Mudel LM001G

Möödetud helivõimsuse tase (L_{WA}): 91 dB (A)
Garanteeritud helivõimsuse tase (L_{WA}): 94 dB (A)
Helirõhutase (L_{pA}): 81 dB (A)
Helirõhutaseme määramatus (K): 3 dB (A)

Mudel LM002G

Möödetud helivõimsuse tase (L_{WA}): 91 dB (A)
Garanteeritud helivõimsuse tase (L_{WA}): 94 dB (A)
Helirõhutase (L_{pA}): 81 dB (A)
Helirõhutaseme määramatus (K): 3 dB (A)

MÄRKUS: Deklareeritud müra väärtust (väärtuseid) on möödetud kooskõlas standardse katsemeetodiga ning seda võib kasutada ühe seadme võrdlemiseks teisega.

MÄRKUS: Deklareeritud müra väärtust (väärtuseid) võib kasutada ka mürataseme esmaseks hindamiseks.

⚠️HOIATUS: Kasutage kõrvakaitsmeid.

⚠️HOIATUS: Müratase võib elektritööriista tegelikkuses kasutamise ajal erineda deklareeritud väärtus(t)est olenevalt tööriista kasutusviisidest ja eriti töödeldavast toorikust.

⚠️HOIATUS: Rakendage operaatori kaitsmiseks kindlasti piisavaid ohutusabinõusid, mis põhinevad hinnangulisel müratasemel tegelikus tööolukorras (võttes arvesse tööperioodi kõiki osasid, näiteks korrad, kui seade lülitatakse välja ja seade töötab tühikäigul, lisaks tööajale).

Vibratsioon

Vibratsiooni koguväärtus (kolmeteljeliste vektorite summa) määratud standardi EN62841-4-3 kohaselt:

Mudel LM001G

Vibratsiooniheide (a_h): 2,5 m/s² või vähem
Määramatus (K): 1,5 m/s²

Mudel LM002G

Vibratsiooniheide (a_h): 2,5 m/s² või vähem
Määramatus (K): 1,5 m/s²

MÄRKUS: Deklareeritud vibratsiooni koguväärtust (-väärtuseid) on möödetud kooskõlas standardse katsemeetodiga ning seda võib kasutada ühe seadme võrdlemiseks teisega.

MÄRKUS: Deklareeritud vibratsiooni koguväärtust (-väärtuseid) võib kasutada ka mürataseme esmaseks hindamiseks.

⚠️HOIATUS: Vibratsioonitase võib elektritööriista tegelikkuses kasutamise ajal erineda deklareeritud väärtus(t)est olenevalt tööriista kasutusviisidest ja eriti töödeldavast toorikust.

⚠️HOIATUS: Rakendage operaatori kaitsmiseks kindlasti piisavaid ohutusabinõusid, mis põhinevad hinnangulisel müratasemel tegelikus tööolukorras (võttes arvesse tööperioodi kõiki osasid, näiteks korrad, kui seade lülitatakse välja ja seade töötab tühikäigul, lisaks tööajale).

EÜ vastavusdeklaratsioon

Ainult Euroopa riikide puhul

EÜ vastavusdeklaratsioon sisaldub käesoleva juhendi Lisas A.

OHUTUSHOIATUSED

Üldised elektritööriistade ohutushoiatused

⚠️HOIATUS: Lugege läbi kõik selle elektritööriistaga kaasas olevad ohutushoiatused, juhised, joonised ja tehnilised andmed. Järgnevate juhiste eiramine võib põhjustada elektrilöögi, süttimise ja/või raske kehavigastuse.

Hoidke edaspidisteks viide- teks alles kõik hoiatused ja juhtnöörid.

Hoiatuses kasutatud termini „elektritööriist“ all peetakse silmas elektriga töötavat (juhtmega) elektritööriistu või akuga töötavat (juhtmata) elektritööriistu.

Juhtmeta muruniiduki ohutushoiatused

1. **Ärge kasutage muruniidukit halvades ilmasti-kuoludes, eriti kui valitakse äikeseoht.** Sellega vähendate pikselöögiohtu.
2. **Kontrollige põhjalikult eluslooduse ala, kus muruniidukit kasutatakse.** Muruniiduk võib töötamise ajal metsloomi vigastada.
3. **Kontrollige põhjalikult ala, kus muruniidukit kasutatakse ning eemaldage kõik kivid, pulgad, traadid, luud ja muud võõrkehad.** Masina alt lendav ese võib tekitada kehavigastusi.
4. **Enne muruniiduki kasutamist kontrollige alati visuaalselt, et tera ja terakomplekt poleks kulunud ega kahjustatud.** Kulunud või kahjustatud osad suurendavad vigastuste ohtu.
5. **Kontrollige murupüüdur sageli kulumist või muul viisil kahjustumist.** Kulunud või kahjustatud murupüüdur võib suurendada kehavigastuste ohtu.
6. **Hoidke kaitsmed oma kohal. Kaitsmed peavad olema töökorras ja korralikult paigaldatud.** Kaitse, mis on tulnud lahti, kahjustatud või ei tööta korralikult, võib tekitada kehavigastusi.
7. **Hoidke kõik jahutusõhu avad prahist puhtad.** Blokeeritud õhu sisselaskeavad ja prahit võivad põhjustada ülekuumenemist või tuleohtu.
8. **Kandke muruniidukiga töötamise ajal alati mittelibisevaid ja kaitsvaid jalatseid. Ärge töötage muruniidukiga, kui olete paljajalu või kannate lahtisi sandaale.** See vähendab kokkupuutel liikuva teraga jalgade vigastamise võimalust.
9. **Kandke muruniidukiga töötamise ajal alati pikki pükse.** Katmata nahk suurendab masina alt lendavatest esemetest tekkivate vigastuste tõenäosust.
10. **Vältige muruniiduki kasutamist märjas rohus. Kõndige, ärge kunagi jookske.** See vähendab libisemise ja kukkumise ohtu, mis võib tekitada kehavigastusi.
11. **Ärge kasutage muruniidukit liiga järskuldel kallakutel.** See vähendab kontrolli kaotamise, libisemise ja kukkumise ohtu, mis võib tekitada kehavigastusi.
12. **Kallakutel töötades veenduge alati, et teie jalgealune oleks kindel, töötage alati kallaku esiküljega risti, mitte kunagi üles või alla ning olge suunda muutes alati väga ettevaatlik.** See vähendab kontrolli kaotamise, libisemise ja kukkumise ohtu, mis võib tekitada kehavigastusi.
13. **Olge eriti ettevaatlik muruniidukit tagurpidi liigutades või enda poole tõmmates. Jälgige alati ümbritsevat.** See vähendab töötamise ajal komistamise ohtu.
14. **Ärge puudutage terasid ega muid ohtlikke liikuvaid osi, kui need veel liiguvad.** See vähendab liikuvatest osadest tekitatud vigastuste ohtu.
15. **Kinnijäänud materjali eemaldamisel või muruniiduki hooldamisel veenduge, et kõik toitelülid oleks välja lülitatud ning akupakk oleks lahti ühendatud.** Muruniiduki juhuslik käivitamine võib tekitada raskeid kehavigastusi.

⚠️HOIATUS: ÄRGE UNUSTAGE järgida toote ohutusnõudeid mugavuse või toote (korduskasutamise saavutatud) hea tundmise tõttu.

VALE KASUTUS või kasutusjuhendi ohutuseeskirjade eiramine võib põhjustada tervisekahjustusi.

TÄHTSAD OHUTUSJUHISED

⚠️HOIATUS: Lugege läbi kõik ohutushoiatused ja juhtnõõrid. Hoiatuste ja juhtnõõride mittejärgmine võib põhjustada elektrišokki, tulekahju ja/või tõsisid vigastusi.

Hoidke edaspidisteks viide- teks alles kõik hoiatused ja juhtnõõrid.

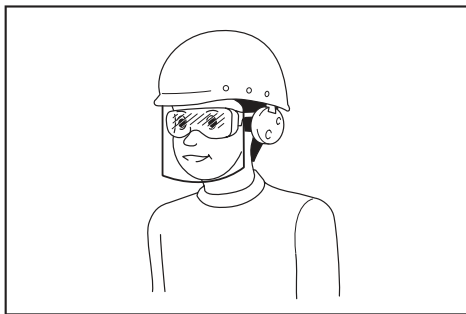
Õpe

1. Lugege tähelepanelikult juhiseid. Õppige põhjalikult tundma niiduki juhtimisseadiseid ja õiget kasutamist.
2. Mitte mingil juhul ärge lubage niidukit kasutada lastel ega isikutel, kes pole tutvunud kasutusjuhendiga. Kohalikud määrsused võivad seada piiranguid kasutaja vanusele.
3. Ärge kunagi kasutage niidukit siis, kui läheduses viibivad inimesed (eriti lapsed) või lemmikloomad.
4. Pidage meeles, et muruniiduki omanik või kasutaja vastutab teistele isikutele põhjustatud vigastuste või nende varale tekitatud kahjustuste eest.
5. Jälgige, et lapsed niidukiga ei mängiks.
6. Füüsiline seisund – ärge kasutage niidukit, kui olete uimastite, alkoholi või ravimite mõju all.

Ettevalmistus

1. Kandke niidukiga töötamise ajal alati tugevaid jalatseid ja pikki pükse. Ärge töötage niidukiga, kui olete paljajalu või kannate lahtisi sandaale. Vältige liiga avarate ja rippuvate lipsude või nõõridega riiete või ehete kandmist. Need võivad liikuvate osade vahele kinni jääda.
2. Enne kasutamist kontrollige visuaalselt, et niiduki kaitsmed ega katted poleks kahjustunud, kadunud või vales kohas.
3. Enne niitmise alustamist veenduge, et niidetaval alal poleks teisi inimesi. Seisake niiduk, kui keegi siseneb niidetavale alale.
4. Kandke elektritööriistu kasutades oma silmade vigastuste eest kaitsmiseks alati kaitseprille. Prillid peavad vastama USA-s standardile ANSI Z87.1, Euroopas standardile EN 166 või Austraalias/Uus-Meremaal standardile AS/ NZS 1336. Austraalias/Uus-Meremaal on näo kaitsmiseks seadusega nõutud ka näokaitsme kasutamine.

HOIDKE JUHEND ALLES.



Töandja kohustus on nõuda, et tööriista operaatorid ja teised tööpiirkonnas viibivad isikud kannaksid sobivat ohutusvarustust.

5. Kontrollige lõiketerasid või terapolte enne kasutamist hoolikalt mõrade või kahjustuste suhtes. Vahetage mõranenud või kahjustatud lõiketerad või lõiketerade poldid kohe välja.
6. Eemaldage võõrkehad (nt kivid, traadijupid, pudelid, luud ja suuremad oksad) niidetavalt alalt enne niitmise alustamist, et vältida tervisekahjustusi ja niiduki kahjustamist.
7. Kui niiduki lõiketera tabab mõnda eset, võib see põhjustada tõsiseid tervisekahjustusi. Muru tuleb enne niitmist alati tähelepanelikult kontrollida ja kõigist esemetest puhastada.
8. Jälgige auke, rõõpaid, muhke, kive või muid varjatud esemeid. Ebatasane maapind võib põhjustada libisemist ja kukkumist. Pika muru sisse võivad olla peidetud takistused.
9. Kasutage isikukaitselahendeid. Kandke alati silmakaitsemeid. Kaitsevahendid, näiteks oludesse sobiv tolmupeade mask, libisemiskindlad turvajalatsid, kõva peakate või kõrvaklapid, vähendavad tervisekahjustusi.

Kasutamine

1. Ärge küünitage liiga kaugele ette. Hoidke alati tasakaalu. Jälgige kallakutel alati, et teil oleks kindel jalgealune. Kõndige, ärge kunagi jookske.
2. Seisake niiduk ja lülitage masin välja ning veenduge, et kõik liikuvad osad oleksid täielikult seiskunud:
 - alati, kui niiduki juurest lahkute;
 - enne niidukist takistuste või väljaviskerennist ummistuste eemaldamist;
 - enne niiduki kontrollimist, puhastamist või hooldamist;
 - pärast seda, kui lõiketera on võõrkeha tabanud. Kontrollige, et niidukil poleks kahjustusi, ning tehke kõik vajalikud remonditööd enne selle taaskäivitamist ja niitmise jätkamist, - alati kui niiduk hakkab ebatavaliselt vibreerima.
3. Ärge kasutage kunagi niidukit, mille kaitsekatted on defektsed või mille ohutusseadised (nt suunaja ja/või murukogur) on eemaldatud.
4. Vältige niiduki kasutamist halva ilmaga, eriti kui valitseb äikesehoht.
5. Niidukiga töötamisel peavad silmad olema alati kaitsitud ja tuleb kanda toekaid jalanõusid.
6. Töötage niidukiga ainult päeval valguses või hea tehisvalgustuse olemasolul.

7. Niiduki sisselülitamisel järgige tähelepanelikult juhtnööre ja hoidke jalad lõiketera(de)st eemal.
8. Olge tähelepanelik, et te ei vigastaks niiduki teradega oma jalgu ega käsi.
9. Kandke hooft selle eest, et ventilatsioonivad oleksid alati prahist puhtad.
10. Niitke kallakuid küljelt küljele ja mitte kunagi ülevalt alla või alt üles. Olge kallakutel liikumissuunda muutest äärmiselt ettevaatlik. Ärge niitke liiga järskudel kallakutel.
11. Olge eriti ettevaatlik niidukit tagurpidi liigutades või enda poole tõmmates.
12. Seisake lõiketera(d), kui niidukit tuleb kallutada, et liikuda üle alade, mis ei ole muruga kaetud, ning siis, kui viite niidukit niitmisalale või sealt ära.
13. Ärge kallutage niidukit, kui mootorit sisse lülitate, v.a juhul, kui see on käivitamiseks vajalik. Sellisel juhul ärge kallutage niidukit rohkem kui vaja ning tõstke ainult seda osa, mis jääb kasutajast eemale. Enne niiduki maapinnale tagasi asetamist veenduge alati, et mõlemad käed oleksid töösendis.
14. Ärge pange käsi ja jalgu pöörlevate osade lähedale ega nende alla. Hoidke väljaviskeava alati takistustest puhtana.
15. Ärge transportige niidukit, kui see on sisse lülitatud.
16. Vältige niiduki kasutamist märjas rohus.
17. Hoidke alati käepidemest kindlalt kinni.
18. Ärge haarake niidukit hoides või üles tõstes katmata lõiketeradest või -servadest.
19. Hoidke käed ja jalad pöörlevatest lõiketeradest eemal. Ettevaatust! Toite väljalülitamise järel pöörlevad terad vaba hooga edasi.
20. Kui märkate midagi ebatavalist, lõpetage kohe töö. Lülitage niiduk välja. Seejärel kontrollige niidukit.
21. Kui niidukil on löikekõrguse reguleerimise võimalus, ärge püüdke reguleerida niitmiskõrgust niiduki töötamise ajal.
22. Enne sisselülitamist, kõnniteede, teede või kruusaga kaetud alade ületamist vabastage hooblülitit ja oodake, kuni lõiketera seiskub. Samuti seisake masin, kui lahkute niiduki juurest, küünitate midagi oma liikumisteel üles võtma või eemaldama, või mõne muu põhjuse korral, mis ei lase teil oma tegevusele keskenduda.
23. Kui niiduki lõiketera tabab võõrkeha, toimige järgmiselt:
 - Peatage niiduk, vabastage hooblülitit ja oodake, kuni lõiketera on täielikult seiskunud.
 - Eemaldage akukasett.
 - Kontrollige niidukit põhjalikult igasuguste kahjustuste suhtes.
 - Vahetage lõiketera välja, kui see on mingil moel kahjustada saanud. Enne niiduki taaskäivitamist ja töö jätkamist parandage kõik kahjustused.
24. Ärge seisake seadet käivitamise ajal väljaviskeava ees.

25. Kui niiduk hakkab ebanormaalselt vibreerima, siis
 - kontrollige seda kohe kahjustuste suhtes;
 - asendage või parandage kõik kahjustunud osad;
 - kontrollige osade pingust ja pinguldage lah-tised osad.
26. Ärge kunagi suunake välja heidetavat mater-jali kellegi poole. Vältige materjali seinale või takistusele heitmist. Materjal võib kasutaja poole tagasi lennata. Kruusapindade ületamisel seisake tera.
27. Tõmmake niidukit tagasisuunas ainult äärmis-el juhul. Kui peate niidukit aia või muu sarnase takistuse juurest eemale tõmbama, vaadake enne tagasisuunas liikumist alla ja seljataha.
28. Enne murupüüdu eemaldamist lülitage moo-tor välja ja oodake, kuni tera on täielikult pea-tunud. Olge ettevaatlik, sest terad liiguvad pärast väljalülitamist vabakäiguga edasi.
29. Masina kasutamisel porisel, libedal maapinnal või märjal kallakul pöörake tähelepanu kindlale jalgealusele.
30. Ärge ajage masinat sügavale lompi.
31. Masinaga töötamisel pöörake tähelepanu torudele ja juhtmetele.

Hooldus ja hoiundamine

1. Ohutuse tagamiseks vahetage kulunud või kahjustunud osad uute vastu. Kasutage ainult originaalvaruosi ja -tarvikuid.
2. Kontrollige ja hooldage niidukit regulaarselt.
3. Kui niidukit ei kasutata, hoidke seda lastele kättesaamatus kohas.
4. Seadme ohutu talitluse tagamiseks hoidke kõik mutrid, poldid ja kruvid tugevasti pinguldatusena.
5. Kontrollige murukogurit sageli kulumise või muul viisil kahjustumise suhtes. Enne hoiustamist veenduge alati, et murukogur oleks tühi. Ohutuse tagamiseks asendage kulunud murukogur alati tootja originaalosaaga.
6. Kasutage ainult juhendis kirjeldatud tootja originaal lõiketeri.
7. Olge niiduki reguleerimisel ettevaatlik, et vältida sõrmede muljumist niiduki fikseeritud osade ja liikuvate lõiketerade vahele.
8. Kontrollige lõiketera fiksaatorpoliti regulaarselt korrektse pinguse suhtes.
9. Laske niidukil alati enne hoiustamist maha jahtuda.
10. Olge lõiketerade hooldamisel teadlik sellest, et kuigi toide on välja lülitatud, võivad lõiketerad siiski liikuda.
11. Ärge kunagi eemaldage ega muutke oma-viilitselt kaitseseadmeid. Kontrollige nende töökorra regulaarselt. Ärge kunagi tehke midagi, mis häiriks kaitseseadme kavandatud funktsiooni või vähendaks kaitseseadme kaitsevõimet.
12. Ärge jätke masinat järelevalveta vihma kätte.
13. Masina hoiule panemisel vältige otsest päike-sevalgust ja vihma ning see ei tohiks muutuda hoiukohas liiga kuumaks ega niiseks.

Akuga tööriista kasutamine ja hooldus

1. Laadige alati laadijaga, mille tootja on heaks kiitnud. Laadija, mis sobib kasutamiseks ühte tüüpi akuga, võib kaasa tuua tulekahjuohtu, kui seda kasutada koos mõnda teist tüüpi akuga.
2. Kasutage elektritööriista üksnes spetsiaalselt neile toodetud akudega. Mis tahes muude akude kasutamine võib tekitada tervisekahjustusi või tulekahjuohtu.
3. Kui akut ei kasutata, ärge hoidke seda koos muude metallsemetega, nagu kirjaklambrid, mündid, võtmed, naelad, kruvid jm väikesed metallsemed, mis võivad tekitada ühenduse klemmide vahel. Akuklemmide lühis võib põhjustada põletusi ja tulekahjuohtu.
4. Väärkasutamise tagajärjel võib akut valguda välja vedelikku; ärge seda puudutage. Kui olete selle vedelikuga siiski kogemata kokku puutunud, uhtke kohta veega. Kui vedelik on sattunud silma, minge arsti juurde. Akust väljavalgunud vedelik võib põhjustada ärritust ja põletusi.
5. Ärge kasutage akupaketti ega tööriista, mis on kahjustatud või muudetud. Kahjustatud või muudetud akud võivad käituda etteaimamatult, põhjustades süttimis-, plahvatus- või vigastusohu.
6. Kaitske akupaketti ja tööriista tule ja kõrge temperatuuri eest. Tule või kõrgema kui 130 °C temperatuuriga kokkupuutumine võib tuua kaasa plahvatused.
7. Pidage kinni kõigist laadimisjuhustest ja ärge laadige akupaketti ega tööriista väljaspool juhendis märgitud temperatuurivahemikku. Valesiti või väljaspool märgitud temperatuurivahe-mikku laadimine võib kahjustada akupaketti ja suurendada süttimisohu.

Elektriohutus ja aku ohutu talitlus

1. Ärge visake kasutatud akut (akusid) tulle. Element võib plahvatada. Kasutatud akude käitlemise võimalikud erinõuded leiata kohalikest eeskirjadest.
2. Akut (akusid) ei tohi avada ega kahjustada. Väljavalgunud elektrilüü on söövitava toimega ning võib kahjustada silmi ja nahka. See võib osutuda allaneelamisel mürgiseks.
3. Ärge laadige akut vihma käes ega märjas keskkonnas.
4. Ärge laadige akut välistingimustes.
5. Ärge käsitsege laadurit, sh laaduri pistikut ja laadimisterminale märgede kätega.
6. Ärge vahetage akut vihma käes.
7. Ärge tehke aku kontakte vee või vedelikuga märjaks ega pange akut vee alla. Ärge jätke akut vihma kätte, samuti ärge laadige, kasu-tage ega hoiustage akut niiskes või märjas kohas. Kui aku kontakt saab märjaks või vedelik tungib aku sisse, võib aku lühistada ning tekkida ülekuumenemise, süttimise või plahvatusoht.
8. Pärast masinast või laadijast aku eemaldamist kinnitage akukate kindlasti akule ja hoidke akut kuivas kohas.
9. Ärge vahetage akut märgede kätega.

- Vältige ohtlikku keskkonda. Ärge kasutage masinat niisketes või märgades kohtades ega jätke seda vihma kätte. Masina sisse sattunud vesi suurendab elektrilöögiohtu.
- Kui akukassett saab märjaks, laske vesi välja ja pühkige seda kuiva lapiga. Enne kasutamist kuivatage akukassett täielikult kuivas kohas.

Hooldus

- Laske elektritööriista hooldada eksperdil, kes kasutab vaid originaalvaruosi. Siis püsib elektritööriista ohutus.
- Ärge hoidke kahjustatud akupakette. Akupakette võivad hooldada ainult tootja või ametlikud teenusepakkujad.

HOIDKE JUHEND ALLES.

⚠HOIATUS: ÄRGE UNUSTAGE järgida toote ohutusnõudeid mugavuse või toote (korduskasutamise saavutatud) hea tundmise tõttu.

VALE KASUTUS või kasutusjuhendi ohutuseeskirjade eiramine võib põhjustada tervisekahjustusi.

Akukassetiga seotud olulised ohutusjuhised

- Enne akukasseti kasutamist lugege (1) akulaadidajal, (2) akul ja (3) seadmel olevad juhtnöörid ja hoiatused läbi.
 - Ärge võtke akukassetti lahti ega muutke seda. See võib põhjustada tulekahju, liigset kuumust või plahvatusi.
 - Kui tööaeg järsult lüheneb, siis lõpetage kohe kasutamine. Edasise kasutamise tulemuseks võib olla ülekuumenemisoht, võimalikud põletused või isegi plahvatus.
 - Kui elektrolüüti satub silma, siis loputage silma puhta veega ja pöörduge koheselt arsti poole. Selline õnnetus võib põhjustada pimedaksjäämist.
 - Ärge tekitage akukassetis lühis:
 - Ärge puutuge klemme elektrijuhtidega.
 - Ärge hoidke akukassetti tööriistakastis koos metalliesemetega, nagu naelad, mündid jne.
 - Ärge tehke akukassetti märjaks ega jätke seda vihma kätte.
- Aku lühis võib põhjustada tugevat elektrivoolu, ülekuumenemist, põletusi ning ka seadet tõsiselt kahjustada.
- Ärge hoidke ega kasutage tööriista ja akukassetti kohtades, kus temperatuur võib tõusta üle 50 °C (122 °F).
 - Ärge põletage akukassetti isegi siis, kui see on saanud tõsiselt vigastada või on täiesti kulumud. Akukassett võib tules plahvatada.
 - Ärge naelutage, löigake, muljuge, visake akukassetti ega laske sel kukkuda, samuti ärge lööge selle pihta kõva esemega. Selline tegevus võib põhjustada tulekahju, liigset kuumust või plahvatusi.
 - Ärge kasutage kahjustatud akut.

- Sisalduvatele liitium-ioonakudele võivad kohalduda ohtlike kaupade õigusaktide nõuded. Kaubanduslikul transportimisel, näiteks kolmandate poolte või transpordiettevõtete poolt, tuleb järgida pakendil ja siltidel toodud erinõudeid. Transportimiseks ettevalmistamisel on vajalik pidada nõu ohtliku materjali eksperdigaga. Samuti tuleb järgida võimalike riiklike regulatsioonide üksikasjalikumaid nõudeid. Katke teibiga või varjake avatud kontaktid ja pakendage aku selliselt, et see ei saaks pakendis liikuda.
- Kasutuskõlbmatuks muutunud akukasseti kõrvaldamiseks eemaldage see tööriistast ja viige selleks ette nähtud kohta. Järgige kasutuskõlbmatuks muutunud aku kõrvaldamisel kohalikke eeskirju.
- Kasutage akusid ainult Makita heaks kiidetud toodetega. Akude paigaldamine selleks mitte ettenähtud toodetele võib põhjustada süttimist, ülemäärast kuumust, plahvatamist või elektrolüüdi lekkimist.
- Kui tööriista ei kasutata pika ajaperioodi jooksul, tuleb aku tööriistast eemaldada.
- Kasutamise ajal ja pärast kasutamist võib akukassett kuumeneda, mis võib põhjustada põletusi või madala temperatuuri põletusi. Olge kuuma akukasseti kandmisel ettevaatlik.
- Ärge puudutage tööriista klemmi kohe pärast kasutamist, sest see võib olla kuum ja põhjustada põletusi.
- Hoidke akukasseti klemmid, avad ja sooned tühikesest, tolmust ja mullast puhtad. See võib põhjustada tööriista või aku ülekuumenemist, süttimist, purunemist ja talitlushäireid, mis võib lõppeda põletuste või kehavigastustega.
- Kui tööriist ei kannata kasutamist kõrgepingeliinide lähedal, ärge kasutage akukassetti kõrgepingeliinide lähedal. Muidu võib tööriist või akukassett puruneda või sellel tõrge tekkida.
- Hoidke akut lastele kättesaamatult.

HOIDKE JUHEND ALLES.

⚠ETTEVAATUST: Kasutage ainult Makita originaalakusid. Mitte Makita originaalakude või muudetud akude kasutamine võib põhjustada akude süttimise, kehavigastuse ja kahjustuse. Samuti muudab see kehtetuks Makita tööriista ja laadija Makita garantii.

Vihjeid aku maksimaalse kasutaja tagamise kohta

- Laadige akukassetti enne selle täielikku tühjenemist. Kui märkate, et tööriist töötab väiksema võimsusega, peatage töö ja laadige akukassetti.
- Ärge laadige täielikult laetud akukassetti. Ülelaadimine lühendab akude kasutusiga.
- Laadige akukassetti toatemperatuuril 10 °C - 40 °C. Enne laadimist laske kuumenenud akukassetil maha jahtuda.
- Kui te ei kasuta parajasti akukassetti, eemaldage see tööriistast või laadurist.
- Kui te ei kasuta akukassetti kauem kui kuus kuud, laadige see.

KOKKUPANEK

⚠️HOIATUS: Veenduge enne masinal igasuguste tööde tegemist alati, et kõik akukassetid oleksid eemaldatud. Kõigi akukassetide eemaldamata jätmine võib põhjustada niiduki juhuslikul käivitumisel raskeid kehavigastusi.

⚠️HOIATUS: Ärge käivitage kunagi niidukit, kui see pole täielikult monteeritud. Osaliselt kokkupandud masina juhuslik käivitumine võib põhjustada tõsiseid kehavigastusi.

Käepideme paigaldamine

TÄHELEPANU: Käepidemete paigaldamisel jälgige, et juhe nende vahele ei jääks. Kui juhe on kahjustunud, ei pruugi niiduki lüliti toimida.

- Viige alumises käepidemes olev ava kohakuti ülemises käepidemes oleva avaga, sisestage seejärel väljastpoolt polt ja keerake tiibmutter seestpoolt kinni. Korra sama protseduuri teisel pool.
▶ **Joon.1:** 1. Polt 2. Tiibmutter 3. Alumine käepide 4. Ülemine käepide

- Lukustustihvti vabastamiseks tõmmake alumisel käepidemel olevat nuppu ja keerake seda samal ajal 90°. Korra sama protseduuri teisel pool. Tõstke käepide üles ja keerake seejärel mõlemal poolel olevat nuppu 90°. Kontrollige nuppude tugevat kinnitust.
▶ **Joon.2:** 1. Nupp

MÄRKUS: Käepideme toetamine hõlbustab lukustus-tihvti vabastamist nupu tõmbamise ajal.

MÄRKUS: Nupu keeramise ajal jälgige, et juhe ei jääks nupu taha kinni.

- ▶ **Joon.3:** 1. Nupp

Multšimiskorgi eemaldamine

- Avage tagakaas.
▶ **Joon.4:** 1. Tagakaas
- Tõstke multšimiskork veidi üles ja eemaldage see.
▶ **Joon.5:** 1. Multšimiskork

Murukoguri kokkupanemine

- Võtke murukoguri ülemisest klambrist.
▶ **Joon.6:** 1. Ülemine klamber
- Paigaldage raam võimalikult sügavale murukogurisse, hoides raami käepidemest.
▶ **Joon.7:** 1. Käepide

TÄHELEPANU: Ärge sisestage käepidet murukogurisse. Sisestage raam kindlasti piki murukoguri õmblust.

- Veenduge, et murukoguri nurgad ei oleks lodevad.
▶ **Joon.8**
- Avage ülemine klamber ja kinnitage see raamile.
▶ **Joon.9**
- Kinnitage kõik ülejäänud klambrid joonisel näidatud viisil. Veenduge, et kõik klambrid oleks kindlalt raami külge kinnitatud.
▶ **Joon.10:** 1. Klamber

Murukorvi paigaldamine või eemaldamine

Murukorvi paigaldamiseks tegutsuge järgmiselt.

- Avage tagakaas.
▶ **Joon.11:** 1. Tagakaas
- Hoidke murukorvi käepidemest ja seejärel haakige murukorvi niiduki kerel olevale vardale, nagu on näidatud joonisel.
▶ **Joon.12:** 1. Murukogur 2. Käepide 3. Varras

Murukorvi eemaldamiseks avage tagakaas ja võtke käepidemest hoides murukorv välja.

Multšimiskorgi kinnitamine

- Avage tagakaas ja eemaldage murukogur.
▶ **Joon.13:** 1. Tagakaas 2. Murukogur
- Kinnitage multšimiskork, lükates selle nii kaugemale kui võimalik, nii et multšimiskorgi eendid siseneksid masinal olevatesse avadesse.
▶ **Joon.14:** 1. Multšimiskork 2. Eend

Väljaviskerenni paigaldamine või eemaldamine

Väljaviskerenni paigaldamiseks järgige allolevaid samme.

- Avage tagakaas ja eemaldage seejärel murukogur ja multšimiskork.
- Kinnitage väljaviskerennis olevad avad niidukikerel olevatele eenditele, nagu joonisel on näidatud.
▶ **Joon.15:** 1. Väljaviskerenn 2. Eend

Väljaviskerenni eemaldamiseks avage tagakaas ja seejärel eemaldage väljaviskerenn.

FUNKTSIONAALNE KIRJELDUS

Akukasseti paigaldamine või eemaldamine

⚠️ETTEVAATUST: Lülitage masin alati enne akukasseti paigaldamist või eemaldamist välja.

⚠️ETTEVAATUST: Akukasseti paigaldamisel või eemaldamisel tuleb masinat ja akukassetti kindlalt paigal hoida. Kui masinat ja akukassetti ei hoita kindlalt paigal, võivad need käest libiseda ning kahjustada masinat ja akukassetti või põhjustada kehavigastusi.

⚠️ETTEVAATUST: Enne kasutamist lukustage kindlasti akukate. Muidu võivad pori, muld või vesi põhjustada toote või akukasseti kahjustuse.

⚠️ETTEVAATUST: Paigaldage akukassett alati täies ulatuses nii, et punane näidik poleks nähtaval. Muidu võib see juhuslikult masinast välja kukkuda ja põhjustada teile või läheduses viibivatele isikutele vigastusi.

⚠️ETTEVAATUST: Ärge rakendage akukasseti paigaldamisel jõudu. Kui kassett ei lähe kergesti sisse, pole see õigesti paigaldatud.

⚠️ETTEVAATUST: Akukasseti paigaldamisel ja eemaldamisel hoidke akukat tugevalt kinni.

Akukasetti paigaldamine

1. Tõmmake lukustushoob üles ja avage seejärel akukate.
► **Joon.16:** 1. Akukate 2. Lukustushoob
2. Viige akukasetti keel kohakuti masinal asuva pesaga ja lükake kasseti, kuni see klõpsatusega oma kohale kinnitub.
► **Joon.17:** 1. Akukasetti
3. Sulgege akukate ja vajutage sellele, kuni lukustushoob selle fikseerib.

Akukasetti eemaldamiseks:

1. Tõmmake lukustushoob üles ja avage akukate.
2. Tõmmake akukasetti masinast, lükates samal ajal kasseti esiküljel paiknevat nuppu.
3. Sulgege akukate.

Masina/aku kaitsesüsteem

Masinal on masina/aku kaitsesüsteem. Süsteem lülitab mootori automaatselt välja, et pikendada masina ja aku tööiga. Masin seiskub käitamise ajal automaatselt, kui masina või aku kohta kehtib üks järgmistest tingimustest:

Ülekoormuskaitse

Kui akut kasutatakse viisil, mis põhjustab ebanormaalselt kõrget voolutaset, siis seiskub masin automaatselt ja toite märgutuli vilgub roheliselt. Sel juhul lülitage masin välja ja lõpetage masina ülekoormuse põhjustatud töö. Pärast seda käivitage masin uuesti.

Ülekuumenemiskaitse

Kui masin on ülekuumenenud, seiskub masin automaatselt ja toite märgutuli süttib punaselt. Laske sellisel juhul masinal ja akudel enne masina uuesti sisselülitamist jahtuda.

MÄRKUS: Kui aku on ülekuumenenud, vilgub toite märgutuli punaselt.

Ülelaadimiskaitse

Kui aku jääkmahutavus pole piisav, seiskub masin automaatselt ja peamine toite märgutuli vilgub punaselt. Sellisel juhul eemaldage aku masinast ja laadige akukasetti või vahetage akukasetti täislaetute vastu.

Kaitse muude olukordade eest

Kaitsesüsteem on mõeldud ka muude olukordade jaoks, mis võivad masinat kahjustada, ja võimaldab masinal automaatselt seiskuda. Kui masin on ajutiselt peatatud või seiskunud, tehke põhjuste kõrvaldamiseks läbi kõik allpool kirjeldatud sammud.

1. Lülitage masin välja ja seejärel taaskäivitamiseks uuesti sisse.
2. Laadige akut (akusid) või asendage laetud aku(de)ga.
3. Laske masinal ja aku(de) jahtuda.

Kui kaitsesüsteemi taastamisega ei õnnestu olukorda parandada, võtke ühendust Makita kohaliku hoolduskeskusega.

TÄHELEPANU: Kui masin on seiskunud mõnel muul põhjusel, mida eespool ei kirjeldatud, lugege veaotsingut käsitlevat jaotist.

Aku jääkmahutavuse näit

- **Joon.18:** 1. Aku indikaator

Kui aku jääkmahutavus on väike, siis akuindikaator vilgub selle aku poole. Edasisel kasutamisel masin seiskub ning akuindikaator süttib. Sellisel juhul laadige akukasetti.

MÄRKUS: Kui paigaldatud on kaks akukasetti, kasutatakse kõigepealt vasakul olevat akut.

MÄRKUS: Kui paigaldatud on kaks akukasetti, vahetab masin automaatselt aku, kui kasutuses olev aku saab tühjaks.

Aku jääkmahutavuse näit

Akukasetti järelejäänud mahutavuse kontrollimiseks vajutage kontrollimise nuppu. Märgulambid süttivad mõneks sekundiks.

- **Joon.19:** 1. Märgulambid 2. Kontrollimise nupp

Märgulambid			Jääkmahutavus
Pöleb	Ei põle	Vilgub	
■	□	◐	
■ ■ ■	■ ■ ■	■ ■ ■	75 - 100%
■ ■ ■	■ ■ ■	□	50 - 75%
■ ■	□ □	□ □	25 - 50%
■	□ □ □	□ □ □	0 - 25%
◐	□ □ □	□ □ □	Laadige akut.
■ ■ □ □	□ □ □ □	□ □ □ □	Akul võib olla tõrge.
□ □ ■ ■	□ □ ■ ■	■ ■ ■ ■	

MÄRKUS: Näidatud mahutavus võib veidi erineda tegelikust mahutavusest olenevalt kasutustingimustest ja ümbritseva keskkonna temperatuurist.

MÄRKUS: Esimene (taga vasakul asuv) märgutuli vilgub, kui akukasetsüsteem töötab.

Juhtpaneel

Juhtpaneelil on toitelüliti ja režiimi vahetamise nupp.

- **Joon.20:** 1. Koormuseta režiimi lamp 2. Mõra vähendamise režiimi lamp 3. Režiimi vahetamise nupp 4. Toite märgutuli 5. Toitelüliti

Toitelüliti

▲HOIATUS: Kui seadet ei kasutata, lülitage toitelüliti alati välja.

Masina sisselülitamiseks vajutage toitelüliti. Toite märgutuli süttib roheliselt. Masina väljalülitamiseks vajutage toitenuppu uuesti.

MÄRKUS: Kui toitelamp süttib punaselt või vilgub punaselt või roheliselt, vaadake masina/aku kaitsesüsteemi juhiseid.

MÄRKUS: Sellel masinal on automaatse väljalülitamise funktsioon. Juhukäivituse vältimiseks lülitub toitelüliti automaatselt välja, kui lüliti- ja sõiduhuoba (kui see on olemas) pärast toitelüliti sisselülitamist teatava aja vältel ei kasutata.

Režiimi vahetamise nupp

Töörežiimi saab muuta režiimi vahetamise nupuga. Kui masin on sisse lülitatud, käivitub ta normaalrežiimis. Vaadake režiimide teavet allolevast tabelist.

Režiim	Lamp	Kirjeldus
Normaalrežiim	Nii koormuseta režiimi lamp kui ka müra vähendamise režiimi lamp on väljas.	Masin töötab normaalrežiimis.
Koormuseta režiim	Koormuseta režiimi lamp süttib roheliselt.	Saate vähendada käivitamisel tagasilööki ja käivitada masina sujuvalt.
Müra vähendamise režiim	Müra vähendamise režiimi lamp süttib roheliselt.	Saate vähendada niitmismüra.

Lüliti funktsioneerimine

HOIATUS: Kontrollige alati enne akukasseti sisestamist seda, kas hooblüliti töötab nõuetekohaselt ja kas see liigub pärast vabastamist algasendisse tagasi. Masina juhtimine lüliti abil, mis ei toimi korralikult, võib kaasa tuua kontrolli kaotamise ja põhjustada tõsisid vigastusi.

MÄRKUS: Niiduk ei käivitu, kui te toitelüliti ei vajuta (seda ka juhul, kui hooblüliti tõmbate).

MÄRKUS: Niiduk ei pruugi ülekoormuse tõttu käivituda, kui üritate niita liiga kõrget või tihedat heina. Sellisel juhul suurendage niitmiskõrgust.

Sellel masinal on lülitisnupp. Kui märkate lülitisnupu juures midagi ebatavalist, lõpetage kohe kasutamine ja laske lülitisnupu lähimas Makita volitatud teeninduskeskuses kontrollida.

1. Paigaldage akukassetid ja seejärel sulgege akukate.
2. Vajutage toitelüliti.

MÄRKUS: Kui vajutate toitelüliti samal ajal kui tõmbate hooblüliti, hakkab toite märgutuli roheliselt vilkuma. Vabastage hooblüliti enne toitelüliti vajutamist.

3. Tõmmake hooblüliti enda poole samal ajal, kui lülitisnupu all hoiate. Vabastage lülitisnupp niipea, kui mootor käivitub.

► **Joon.21:** 1. Lülitisnupp 2. Hooblüliti

4. Hooblüliti vajutamise ajal lükake sõiduhuoba ette ja hoidke seda tagarataste juhtimiseks all.

► **Joon.22:** 1. Sõiduhuob

MÄRKUS: Tagarattaid saate juhtida sõiduhuoba ettepoole lükates ja seda ilma hooblüliti vajutamata hoides.

5. Masina seiskamiseks vabastage sõiduhuob ja hooblüliti.

Niitmiskõrguse reguleerimine

HOIATUS: Ärge pange niitmiskõrguse reguleerimisel käsi või jalgu kunagi niiduki alla.

HOIATUS: Veenduge alati enne seadme kasutamist, et hoob sobitaks soonde.

Niitmiskõrgust saab reguleerida vahemikus 20 mm ja 100 mm.

Lülitage masin välja ja seejärel tõmmake niitmiskõrguse reguleerimishooba niiduki korpusest väljapoole ja viige soovitud niitmiskõrgusele.

► **Joon.23:** 1. Niitmiskõrguse reguleerimishoob

Allpool esitatud tabelis on näidatud suhet niiduki kerel oleva numbriga ja ligikaudse niitmiskõrguse vahel.

Number	Niitmiskõrgus
1	20 mm
2	26 mm
3	32 mm
4	39 mm
5	47 mm
6	55 mm
7	63 mm
8	74 mm
9	86 mm
10	100 mm

Hoidke ühe käega alumisest käepidemest ja liigutage seejärel teise käega niitmiskõrguse reguleerimishooba.

► **Joon.24:** 1. Niitmiskõrguse reguleerimishoob
2. Alumine käepide

MÄRKUS: Niitmiskõrguse näitajaid tuleks kasutada orientiirina. Maapinna ja muru seisundist olenevalt võib tegelik murukõrgus olla valitud kõrgusest erinev.

MÄRKUS: Katsetage muru niitmiskõrguse seadistust vähem nähtavas kohas, et leida sobiv kõrgus.

Rohutaseme indikaator

Rohutaseme indikaator näitab niidetud rohu mahtu. Kui murukogur ei ole täis, siis indikaator ujub terade pöörlemise ajal.

► **Joon.25:** 1. Rohutaseme indikaator

Kui murukogur on peaaegu täis, siis indikaator ei uju terade pöörlemise ajal. Sellisel juhul peatage kohe töö ja tühjendage kogur.

► **Joon.26:** 1. Rohutaseme indikaator

MÄRKUS: Selle indikaatori puhul on tegemist ligikaudse näidikuga. Kruvikeeraja on varustatud kruvide sisestamise sügavuse regulaatoriga.

Käepideme kõrguse reguleerimine

Käepideme kõrgust saab reguleerida kahele tasemele.

1. Hoidke alumisest käepidemest ning seejärel keerake nuppu 90°, tõmmates samal ajal lukustustihvti vabastamiseks alumisel käepidemel olevat nuppu. Korra sama protseduuri teisel pool.

► **Joon.27:** 1. Alumine käepide 2. Nupp

MÄRKUS: Käepideme toetamine hõlbustab lukustus-tihvti vabastamist nupu tõmbamise ajal.

2. Reguleerige käepideme kõrgus ning seejärel keerake mõlemal pool nuppu 90°. Kontrollige nuppude tugevat kinnitust.

► **Joon.28:** 1. Nupp

Liikumiskiiruse reguleerimine

► **Joon.29:** 1. Kiiruse hoob

Liikumiskiirust saab reguleerida kiiruse hooba kasutades. Kiiruse vähendamiseks tõmmake hooba enda poole ja kiiruse suurendamiseks lükake seda ette poole.

Multšimiskorgi kasutamine

Multšimiskork võimaldab niidetud muru tagasi maha lasta, ilma et see murukogurisse kogutaks. Kui kasutate masinat multšimiskorgiga, siis eemaldage kindlasti murukogur või väljaviskerenn.

TÄHELEPANU: Masina multšimiskorgiga kasutamisel veenduge, et muru kogupikkus pärast niitmist oleks 30 mm või rohkem, ja lõikepikkus oleks 15 mm või vähem.

► **Joon.30:** (1) 30 mm või rohkem (2) 15 mm või vähem

Väljaviskerenni kasutamine

Väljaviskerenn võimaldab niidetud muru masina parempoolselt osast välja visata, ilma et see murukogurisse kogutaks. Kui kasutate masinat koos väljaviskerenniga, siis eemaldage kindlasti murukogur ja multšimiskork.

Tagumine väljaviskeseadme kasutamine

Tagumine väljaviskeseade võimaldab teil niidetud muru masina tagumisest osast välja heita, ilma et see murukogurisse kogutaks.

Kui kasutate masinat tagumise väljaviskeseadmega, eemaldage multšimiskork ja murukogur või väljaviskerenn ning sulgege tagakaas.

Elektrooniline funktsioon

Masin on varustatud lihtsamaks kasutamiseks elektrooniliste funktsioonidega.

- Sujuvkävõtamine juhtimisel
Sujuvkävõtuse funktsioon minimeerib käivitamisel tagasilööki ja võimaldab masinal sujuvalt käivituda.
- Elektriline pidur
Masinal on elektriline pidur. Kui masin ei suuda pidevalt pärast hooblüüti vabastamist kiiresti niiduki terasid seisata, viige see hooldusse Makita volitatud teeninduskeskusesse.

TÖÖRIISTA KASUTAMINE

Niitmine

▲HOIATUS: Puhastage niidetav ala enne niitmist okstest ja kividest. Lisaks puhastage niidetav ala enne niitmist ka umbrohost.

▲HOIATUS: Kandke niiduki kasutamisel alati kaitseprille (või nt külgmiste kaitsetega kaitseprille).

▲ETTEVAATUST: Kui muru või võõrkeha on niiduki korpuse seestpoolt ummistanud, võtke akukassetid välja ning pange enne muru või võõrkeha eemaldamist kindad kätte.

TÄHELEPANU: Kasutage seda seadet ainult muru niitmiseks. Ärge kasutage seda seadet umbrohu niitmiseks.

► **Joon.31**

Hoidke niitmisel kindlalt kahe käega käepidemest kinni. Soovitatav niitmiskiirus on ligikaudu 7 kuni 14 meetrit 10 sekundi jooksul.

► **Joon.32**

MÄRKUS: Kui kõrge või tiheda muru niitmisel saadakse ebaühtlase kõrguse või halva kvaliteediga tulemus või kui niitmise ajal väheneb mootori kiirus, vähendage niitmiskiirust alla selles juhendis soovitud või tõstke niitmiskõrgust.

Niitmislaiuse orientiiriks on esirataste keskjooned. Niitke ribade kaupa, kasutades keskjooni abijoontena. Niitke kuni ühe kolmandiku ulatuses eelmise riba peal (kattuv ala) – nii niidate muru ühtlaselt.

► **Joon.33:** 1. Niitmislaius 2. Kattuv ala 3. Keskjoon

Muutke iga kord niitmise suunda, et ei tekiks ühesuunalist muru mustrit.

► **Joon.34**

Kontrollige regulaarselt murukoguris oleva niidetud muru kogust. Tühjendage murukogur enne selle täitumist. Enne iga korralist kontrolli peatage ja seisake masin.

TÄHELEPANU: Täis murukogur takistab niiduki lõiketeradel sujuvalt pöörelda ja lisab mootorile lisakoormuse, mis võib põhjustada mootoririkkeid.

Kõrge muru niitmine

Ärge püüdke kõrget muru ühe korraga niita. Selle asemel niitke muru järkjärgult lühemaks. Jätke niitmiste vahele üks või kaks päeva, kuni muru on ühtlaselt lühike.

► **Joon.35**

MÄRKUS: Kõrge muru niitmine ühe korraga lühikeks võib põhjustada muru hävimise. Samuti võib niidetud muru ummistada niiduki korpuse sisemuse.

MÄRKUS: Kui muru on pärast niitmist ebaühtlase kõrgusega või niitmiskvaliteet on halb või mootori kiirus väheneb niitmise ajal, vähendage niitmiskiirust või suurendage niitmiskõrgust.

Murukoguri tühjendamine

⚠HOIATUS: Õnnetuste ärahoidmiseks kontrollige murukogurit regulaarselt kahjustuste või tugevuse vähenemise suhtes. Vajaduse korral vahetage murukogur.

1. Vabastage hooblülit ja sõiduhoo.
2. Lülitage masin välja.
3. Avage tagakaas ja võtke käepidemest hoides murukoguja korv välja.
▶ **Joon.36:** 1. Tagakaas 2. Käepide 3. Murukoguja
4. Tühjendage murukogur.

HOOLDUS

⚠HOIATUS: Veenduge alati enne masina hoius-tamist, kandmist, kontrollimist või hooldamist, et kõik akukassetid oleksid masinast eemaldatud.

⚠HOIATUS: Kandke kontrollimise või hooldamise ajal kaitsekindaid.

⚠HOIATUS: Kandke niiduki kontrollimisel või hooldamisel alati kaitseprille või külgmiste kaitsetemetega kaitseprille.

TÄHELEPANU: Ärge kunagi kasutage bensiini, vedelid, alkoholi ega midagi muud sarnast. Selle tulemuseks võib olla liitumine, deformatsioon või pragunemine.

Toote OHUTUSE ja TÖÖKINDLUSE tagamiseks tuleb vajalikud remontitööd ning muud hooldus- ja reguleerimistööd lasta teha Makita volitatud teeninduskeskustes või tehase teeninduskeskustes. Alati tuleb kasutada Makita varuosi.

Hooldus

1. Eemaldage kõik akukassetid ja seejärel sulgege akukate.
2. Pange niiduk küllili. Eemaldage niiduki kere alla kogunenud murujäägid.
3. Valage vett masina põhja suunas, kuhu kinnitati tera.

TÄHELEPANU: Ärge peske masinat kõrgsurvepesuriga.

4. Kontrollige kõikide mutrite, poltide, kruvide jne pingust.
5. Kontrollige liikuvaid osi kahjustuste, purunemise ja kulumise suhtes. Kahjustatud või puuduvad osad tuleb remontida või välja vahetada.
6. Hoidke niidukit turvalises ja lastele kättesaamatus kohas.

TÄHELEPANU: Ärge valage vett joonisel näidatud piirkonda. Vee valamine mootoriüksusesse võib põhjustada masina rikke.

▶ **Joon.37:** 1. Piirkond kuhu vett ei tohiks valada

TÄHELEPANU: Kui masin on püstiasendis, nagu joonisel on näidatud, ärge valage sellele vett. Kui masin on püstiasendis, võib vesi mootorisse voolata ja masinas tõrkeid põhjustada.

▶ **Joon.38**

Niiduki kandmine

⚠ETTEVAATUST: Enne niiduki kandmist eemaldage kõik akukassetid.

Hoidke niiduki kandmise ajal kahe inimesega joonisel näidatud viisil tagumisest käepidemest ja alumisest hoidikust masina eesosas.

▶ **Joon.39:** 1. Alumine hoidik 2. Tagumine käepide

Hoiundamine

⚠ETTEVAATUST: Masina viimisel püstiasendis pange masin tasasele ja stabiilsele aluspin-nale. Kui masin asetatakse ebastabiilsele pinnale, võib masin ümber minna ja vigastusi põhjustada.

Hoidke niidukit siseruumis jahedas, kuivas ja lukustatud kohas. Ärge hoidke niidukit ega laadurit kohtades, kus temperatuur võib tõusta üle 40 °C.

1. Eemaldage kõik akukassetid.
2. Lukustustihvti vabastamiseks tõmmake alumisel käepidemel olevat nuppu ja keerake seda samal ajal 90°. Korrake sama protseduuri teisel pool ja pange seejärel käepide kokku.

▶ **Joon.40:** 1. Nupp

MÄRKUS: Käepideme toetamine hõlbustab lukustus-tihvti vabastamist nupu tõmbamise ajal.

3. Keerake mõlemal poolel nuppu 90°. Kontrollige nuppude tugevat kinnitust.

▶ **Joon.41:** 1. Nupp

TÄHELEPANU: Jälgige, et juhtmed ei jääks käepideme kokkupanemisel selle vahele.

4. Keerake lahti mõlemal poolel olevad tiibmutrid ja seejärel pange kokku ülemine käepide, nagu joonisel on näidatud.

▶ **Joon.42:** 1. Tiibmutter 2. Ülemine käepide

5. Pange masin püstiasendis.

MÄRKUS: Niiduki viimisel püstiasendis ärge hoidke ainult käepidemest, vaid niiduki kerest ja käepidemest.

6. Hoidke murukogurit joonisel näidatud viisil.

▶ **Joon.43:** 1. Murukoguja

▶ **Joon.44:** 1. Murukoguja

Niiduki tera eemaldamine või paigaldamine

⚠HOIATUS: Pärast lüliti vabastamist pöörleb lõiketera mõned sekundid tühikäigul. Ärge alustage toiminguid enne, kui tera on täielikult seiskunud.

⚠HOIATUS: Eemaldage kõik akukassetid alati enne lõiketera eemaldamist või paigaldamist. Kõigi akukassetide eemaldamata jätmine võib tuua kaasa raskeid vigastusi.

⚠HOIATUS: Kandke lõiketera käsitlemisel alati kaitsekindaid.

Niiduki tera eemaldamine

1. Asetage niiduk küljele, nii et niitmiskõrguse reguleerimishoob jääks üles.
2. Tera lukustamiseks sisestage tihvt niiduki kerel olevasse avasse nii kaugele kui võimalik.
3. Keerake polti otsvõtmega 17 vastupäeva.
▶ **Joon.45:** 1. Niiduki tera 2. Tihvt 3. Otsvõti
4. Eemaldage polt ja seejärel niiduki tera.
▶ **Joon.46:** 1. Tera tugi 2. Niiduki tera 3. Polt 4. Enduv osa

TÄHELEPANU: Niiduki tera paigaldamisel veenduge, et tera toel asuvad sälgud sobituksid niiduki teral olevate avadega.

Niiduki tera paigaldamine

⚠HOIATUS: Paigaldage niiduki tera hoolikalt. Sellel on ülemine/alumine külg.

⚠HOIATUS: Pinguldage polti päripäeva, et löiketera fikseerida.

⚠HOIATUS: Veenduge, et niiduki tera ja kõik selle kinnitused oleksid korralikult paigaldatud ja kindlalt pingutatud.

⚠HOIATUS: Terasid vahetades järgige alati juhendis toodud juhtnööre.

TÄHELEPANU: Pärast niiduki terade paigaldamist eemaldage niiduki kerelt tihvt.

Niiduki terade paigaldamiseks järgige eemaldamise protseduuri vastupidises järjekorras.

VEAOTSING

Enne parandustöökotta pöördumist kontrollige esmalt ise seadet. Ärge proovige masinat lahti võtta, kui leiate probleemi, mida kasutusjuhendis ei kirjeldata. Selle asemel pöörduge Makita volitatud teeninduskeskusesse, kus kasutatakse parandamisel alati Makita tagavaraosi.

Tõrge	Võimalik põhjus (riike)	Lahendus
Niiduk ei käivitu.	Akukassett ei ole paigaldatud.	Paigaldage laetud akukassett.
	Akuga seotud probleem (alapinge)	Laadige akukassett. Kui laadimine ei anna tulemust, vahetage akukassett välja.
Mootor seiskub pärast lühiajalist töötamist.	Aku laetustase on madal.	Laadige akukassett. Kui laadimine ei anna tulemust, vahetage akukassett välja.
	Niitmiskõrgus on liiga madal.	Suurendage niitmiskõrgust.
	Niidetud muru on niiduki ummistanud.	Eemaldage niidukisse kinni jäänud muru.
Mootor ei saavuta maksimaalset pöörlemiskiirust.	Akukassett ei ole õigesti paigaldatud.	Paigaldage akukassett juhendis kirjeldatud viisil.
	Aku võimsus langeb.	Laadige akukassett. Kui laadimine ei anna tulemust, vahetage akukassett välja.
	Veosüsteem ei tööta korralikult.	Paluge volitatud teeninduskeskuses teha parandustööd.
Niiduki tera ei pöörle: ⇒ seisake kohe niiduk!	Kõrvaline ese, näiteks puuoks on tera blokeerinud.	Eemaldage kõrvaline ese.
	Veosüsteem ei tööta korralikult.	Paluge volitatud teeninduskeskuses teha parandustööd.
Ebatavaline vibratsioon: ⇒ seisake kohe niiduk!	Tera ei ole tasakaalus või on ülemäärane või ebaühtlaselt kulunud.	Vahetage tera.

VALIKULISED TARVIKUD

⚠ETTEVAATUST: Neid tarvikuid ja lisaseadmeid on soovitatav kasutada koos Makita masinaga, mille kasutamist selles kasutusjuhendis kirjeldatakse. Muude tarvikute ja lisaseadmete kasutamisega võib kaasneda vigastusohu. Kasutage tarvikuid ja lisaseadmeid ainult otstarbekohaselt.

Saate vajaduse korral kohalikust Makita teeninduskeskusest lisateavet nende tarvikute kohta.

- Niiduki tera
- Makita algupärane aku ja laadija

MÄRKUS: Mõned nimekirjas loetletud tarvikud võivad olla lisatud põhivarustusena toote pakendisse. Need võivad riigiti erineda.

ТЕХНИЧЕСКИЕ ХАРАКТЕРИСТИКИ

Модель:		LM001G	LM002G
Ширина скашивания (диаметр лезвия)		480 мм	534 мм
Число оборотов без нагрузки	Нормальный режим	3 200 мин ⁻¹	2 800 мин ⁻¹
	Плавный режим без нагрузки	2 500–3 200 мин ⁻¹	2 300–2 800 мин ⁻¹
	Режим снижения уровня шума	2 500 мин ⁻¹	2 300 мин ⁻¹
Сменное лезвие газонокосилки, номер детали	Прямое лезвие газонокосилки	191V97-3	191V96-5
	Прямое лезвие газонокосилки *1	-	191W87-2
	Мульчирующее лезвие	191Y64-6	191Y65-4
Размеры (Д × Ш × В)	во время работы	Д: от 1 670 мм до 1 745 мм Ш: 550 мм В: от 965 мм до 1 075 мм	Д: от 1 740 мм до 1 810 мм Ш: 595 мм В: от 970 мм до 1 080 мм
	в положении для хранения (без корзины для травы)	585 мм × 550 мм × 900 мм	580 мм × 595 мм × 930 мм
Скорость передвижения		1,5–5,0 км/ч	
Номинальное напряжение		36–40 В пост. тока макс.	
Масса нетто		28,0 – 33,0 кг	29,3 – 34,5 кг
Степень защиты		IPX4	

*1. Лезвие газонокосилки для более эффективного сбора травы.

- Благодаря нашей постоянно действующей программе исследований и разработок указанные здесь технические характеристики могут быть изменены без предварительного уведомления.
- Технические характеристики могут различаться в зависимости от страны.
- Масса может отличаться в зависимости от дополнительного оборудования. Обратите внимание, что блок аккумулятора также считается дополнительным оборудованием. В таблице представлены комбинации с наибольшим и наименьшим весом в соответствии с процедурой EPTA 01/2014.

Подходящий блок аккумулятора и зарядное устройство

Блок аккумулятора	BL4020 / BL4025 / BL4040* / BL4050F* / BL4080F* *: рекомендуемый аккумулятор
Зарядное устройство	DC40RA / DC40RB / DC40RC

- В зависимости от региона проживания некоторые блоки аккумуляторов и зарядные устройства, перечисленные выше, могут быть недоступны.

⚠ ОСТОРОЖНО: Используйте только перечисленные выше блоки аккумуляторов и зарядные устройства. Использование других блоков аккумуляторов и зарядных устройств может привести к травме и/или пожару.

⚠ ОСТОРОЖНО: Не используйте с этой машиной проводной источник электропитания, например переходник зарядного устройства или портативный блок питания. Кабель этого источника электропитания может помешать работе и стать причиной травмы.

Символы

Ниже приведены символы, которые могут использоваться для обозначения оборудования. Перед использованием убедитесь в том, что вы понимаете их значение.



Обратите особое внимание.



Прочитайте руководство по эксплуатации.



Опасность! Возможен разлет твердых предметов.



Расстояние от инструмента до находящихся поблизости людей должно быть не менее 15 м.



Не приближайте руки и ноги к лезвию газонокосилки под ее днищем. После выключения электродвигателя лезвия газонокосилки продолжают вращаться.



Осторожно! Перед техническим обслуживанием необходимо отсоединить аккумулятор.



Электрическая опасность. Попадание воды на машину может привести к поражению электрическим током.



Не допускайте попадания воды на машину.



Ni-MH
Li-ion

Только для стран ЕС
В связи с наличием в оборудовании опасных компонентов отходы электрического и электронного оборудования, аккумуляторы и батареи могут оказывать негативное влияние на окружающую среду и здоровье человека. Не выбрасывайте электрические и электронные устройства или батареи вместе с бытовыми отходами!

В соответствии с директивой ЕС по отходам электрического и электронного оборудования, по аккумуляторам, батареям и отходам аккумуляторов и батарей, а также в соответствии с ее адаптацией к национальному законодательству, отходы электрического оборудования, батареи и аккумуляторы следует хранить отдельно и доставлять на пункт раздельного сбора коммунальных отходов, работающий с соблюдением правил охраны окружающей среды. Это обозначено символом в виде перечеркнутого мусорного контейнера на колесах, нанесенным на оборудование.



Гарантированный уровень звуковой мощности в соответствии с Директивой ЕС по шумам вне помещений.



Уровень звуковой мощности в соответствии с Регламентом Австралии (Новый Южный Уэльс) по контролю за шумом

Назначение

Газонокосилка предназначена для стрижки газонов.

Шум

Типичный уровень взвешенного звукового давления (A), измеренный в соответствии с EN62841-4-3:

Модель LM001G

Измеренный уровень звуковой мощности (L_{WA}): 91 дБ (A)
Гарантированный уровень звуковой мощности (L_{WA}): 94 дБ (A)
Уровень звукового давления (L_{PA}): 84 дБ (A)
Погрешность уровня звукового давления (K): 3 дБ (A)

Модель LM002G

Измеренный уровень звуковой мощности (L_{WA}): 91 дБ (A)
Гарантированный уровень звуковой мощности (L_{WA}): 94 дБ (A)
Уровень звукового давления (L_{PA}): 81 дБ (A)
Погрешность уровня звукового давления (K): 3 дБ (A)

ПРИМЕЧАНИЕ: Заявленное значение распространения шума измерено в соответствии со стандартной методикой испытаний и может быть использовано для сравнения инструментов.

ПРИМЕЧАНИЕ: Заявленное значение распространения шума можно также использовать для предварительных оценок воздействия.

⚠ОСТОРОЖНО: Используйте средства защиты слуха.

⚠ОСТОРОЖНО: Распространение шума во время фактического использования электроинструмента может отличаться от заявленного значения в зависимости от способа применения инструмента и в особенности от типа обрабатываемой детали.

⚠ОСТОРОЖНО: Обязательно определите меры безопасности для защиты оператора, основанные на оценке воздействия в реальных условиях использования (с учетом всех этапов рабочего цикла, таких как выключение инструмента, работа без нагрузки и включение).

Вибрация

Суммарное значение вибрации (сумма векторов по трем осям), определенное в соответствии с EN62841-4-3:

Модель LM001G

Распространение вибрации (a_h): 2,5 м/с² или менее
Погрешность (K): 1,5 м/с²

Модель LM002G

Распространение вибрации (a_h): 2,5 м/с² или менее
Погрешность (K): 1,5 м/с²

ПРИМЕЧАНИЕ: Заявленное общее значение распространения вибрации измерено в соответствии со стандартной методикой испытаний и может быть использовано для сравнения инструментов.

ПРИМЕЧАНИЕ: Заявленное общее значение распространения вибрации можно также использовать для предварительных оценок воздействия.

⚠ОСТОРОЖНО: Распространение вибрации во время фактического использования электроинструмента может отличаться от заявленного значения в зависимости от способа применения инструмента и в особенности от типа обрабатываемой детали.

⚠ОСТОРОЖНО: Обязательно определите меры безопасности для защиты оператора, основанные на оценке воздействия в реальных условиях использования (с учетом всех этапов рабочего цикла, таких как выключение инструмента, работа без нагрузки и включение).

Декларация о соответствии ЕС

Только для европейских стран

Декларация о соответствии ЕС включена в руководство по эксплуатации (Приложение А).

МЕРЫ БЕЗОПАСНОСТИ

Общие рекомендации по технике безопасности для электроинструментов

▲ОСТОРОЖНО: Ознакомьтесь со всеми представленными инструкциями по технике безопасности, указаниями, иллюстрациями и техническими характеристиками, прилагаемыми к данному электроинструменту. Несоблюдение каких-либо инструкций, указанных ниже, может привести к поражению электрическим током, пожару и/или серьезной травме.

Сохраните брошюру с инструкциями и рекомендациями для дальнейшего использования.

Термин "электроинструмент" в предупреждениях относится ко всему инструменту, работающему от сети (с проводом) или на аккумуляторах (без провода).

Правила техники безопасности при использовании аккумуляторной газонокосилки

1. Не используйте газонокосилку в неблагоприятных погодных условиях, особенно если возможны грозовые разряды. Это снижает риск удара молнией.
2. Внимательно осмотрите место, где будет использоваться газонокосилка, и убедитесь, что там нет диких животных. Во время работы газонокосилки оказавшиеся поблизости дикие животные могут получить травмы.
3. Внимательно осмотрите место, где будет использоваться газонокосилка, и убедитесь, что там нет камней, палки, провода, кости и другие посторонние предметы. Отброшенные предметы могут нанести травму.
4. Прежде чем использовать газонокосилку, обязательно осмотрите ее лезвие и убедитесь, что лезвие и узел лезвия не изношены и не повреждены. Изношенные или поврежденные части повышают риск травмы.
5. Чаще проверяйте травосборник на предмет износа или повреждений. Изношенный или поврежденный травосборник повышает риск травмы.
6. Ограждения должны всегда находиться на месте. Ограждения должны быть в рабочем состоянии и установлены надлежащим образом. Плохо закрепленное, поврежденное или не работающее надлежащим образом ограждение может стать причиной травмы.
7. Не допускайте засорения отверстий для притока охлаждающего воздуха. Засорение отверстий для притока охлаждающего воздуха может привести к перегреву и возгоранию.

8. На время работы с газонокосилкой обязательно надевайте нескользящую защитную обувь. Не работайте с газонокосилкой босиком или в открытых сандалиях. Это позволит снизить риск получения травмы при соприкосновении ноги с движущимся лезвием.
9. На время работы с газонокосилкой обязательно надевайте длинные брюки. Отсутствие защиты кожи повышает вероятность получить травму от отлетающих предметов.
10. Не используйте газонокосилку на мокрой траве. Передвигайтесь шагом, не бегите. Это позволит снизить вероятность того, что вы поскользнетесь и упадете, что, в свою очередь, может привести к травме.
11. Не используйте газонокосилку на чрезмерно крутых склонах. Это позволит снизить вероятность того, что вы потеряете контроль над инструментом, поскользнетесь и упадете, что, в свою очередь, может привести к травме.
12. При работе на склонах всегда крепко стойте на ногах, двигайтесь поперек склона, а не вверх или вниз по склону, и соблюдайте особую осторожность при изменении направления движения. Это позволит снизить вероятность того, что вы потеряете контроль над инструментом, поскользнетесь и упадете, что, в свою очередь, может привести к травме.
13. Соблюдайте особую осторожность, перемещая газонокосилку задним ходом или подтягивая ее к себе. Всегда контролируйте окружающую обстановку. Это позволит снизить вероятность того, что вы споткнетесь во время работы.
14. Не прикасайтесь к лезвиям и другим опасным движущимся частям до их полной остановки. Это позволит снизить вероятность получения травмы движущимися частями.
15. При удалении застрявших обрезков или очистке газонокосилки убедитесь, что все выключатели питания выключены, а аккумуляторный блок отсоединен. Неожиданное включение газонокосилки может привести к тяжелым травмам.

СОХРАНИТЕ ДАННЫЕ ИНСТРУКЦИИ.

▲ОСТОРОЖНО: НЕ ДОПУСКАЙТЕ, чтобы удобство или опыт эксплуатации данного устройства (полученный от многократного использования) доминировали над строгим соблюдением правил техники безопасности при обращении с этим устройством.

НЕПРАВИЛЬНОЕ ИСПОЛЬЗОВАНИЕ инструмента или несоблюдение правил техники безопасности, указанных в данном руководстве, может привести к тяжелой травме.

ВАЖНЫЕ ИНСТРУКЦИИ ПО ТЕХНИКЕ БЕЗОПАСНОСТИ

⚠ ОСТОРОЖНО: Ознакомьтесь со всеми инструкциями и рекомендациями по технике безопасности. Невыполнение инструкций и рекомендаций может привести к поражению электротоком, пожару и/или тяжелым травмам.

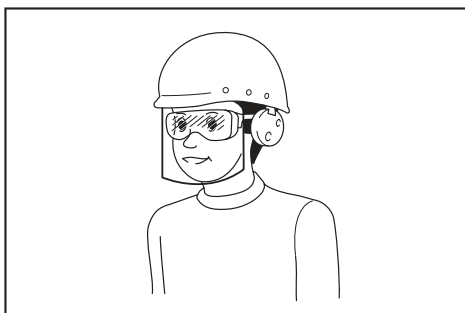
Сохраните брошюру с инструкциями и рекомендациями для дальнейшего использования.

Инструктаж

1. Внимательно прочитайте инструкции. Ознакомьтесь со всеми элементами управления и правилами надлежащей эксплуатации газонокосилки.
2. Не разрешайте детям и лицам, не знакомым с данными инструкциями, пользоваться косилкой. В местном законодательстве могут существовать возрастные ограничения для операторов.
3. Запрещается эксплуатировать газонокосилку, если поблизости находятся люди (в особенности дети) или животные.
4. Помните, что оператор/пользователь несет ответственность за происшествия и опасные ситуации с другими людьми или их собственностью.
5. Следует следить за маленькими детьми, чтобы они не использовали газонокосилку в качестве игрушки.
6. Физическое состояние – не эксплуатируйте газонокосилку, находясь под действием наркотиков, алкоголя или лекарств.

Подготовка

1. На время эксплуатации косилки обязательно надевайте прочную обувь и длинные брюки. Не пользуйтесь оборудованием босиком или в открытых сандалиях. Не следует носить галстук, свободную одежду или украшения, а также одежду, украшенную свисающими шнурами. Их может затянуть движущимися деталями.
2. Перед началом работы осматривайте газонокосилку на предмет поврежденных, отсутствующих или неправильно установленных ограждений или экранов.
3. Перед началом работы убедитесь, что поблизости никого нет. Если кто-либо приблизился, выключите газонокосилку.
4. Во время работы с электроинструментом всегда надевайте защитные очки. Очки должны соответствовать ANSI Z87.1 для США, EN 166 для Европы, или AS/NZS 1336 для Австралии и Новой Зеландии. В Австралии и Новой Зеландии оператор также обязан носить защитную маску.



Ответственность за использование средств защиты операторами и другим персоналом вблизи рабочей зоны возлагается на работодателя.

5. Перед эксплуатацией тщательно осмотрите лезвия и болты лезвий и убедитесь в отсутствии трещин или повреждений. Немедленно замените треснувшие или поврежденные лезвия или болты лезвий.
6. Перед началом работы очистите площадку от посторонних предметов (каменей, проволоки, бутылок, костей и больших палок), чтобы не допустить травм или повреждения газонокосилки.
7. Предметы, отброшенные лезвием газонокосилки, могут нанести тяжелые травмы. Перед началом работы необходимо тщательно осмотреть газон и очистить его от всех предметов.
8. Осматривайте газон на предмет углублений, колеи, ухабов, камней или других скрытых предметов. Неровности поверхности могут стать причиной поскользывания и падения. Высокая трава может скрывать препятствия.
9. Используйте индивидуальные средства защиты. Всегда надевайте защитные очки. Такие средства индивидуальной защиты, как маска от пыли, защитная нескользящая обувь, каска или наушники, используемые в соответствующих условиях, позволяют снизить риск получения травмы.

Выполнение работы

1. Во время работы с устройством не тянитесь. Всегда сохраняйте равновесие. При работе на склонах занимайте устойчивое положение. Передвигайтесь шагом, не бегите.
2. Остановите газонокосилку, выключите машину и убедитесь в том, что все движущиеся части полностью остановились, если:
 - оставляете машину;
 - планируете устранять засоры и удалять предметы, закупорившие желоб;
 - собираетесь проверять, очищать оборудование или выполнять его обслуживание;
 - оборудование ударилось о посторонний предмет. Перед повторным запуском осмотрите машину на предмет повреждений и устраните неисправность;
 - при появлении аномальной вибрации в газонокосилке.

3. Запрещается использовать машину с неисправными ограждениями и экранами или без защитных приспособлений, например дефлекторов или бункера для сбора травы.
 4. Не рекомендуется использовать газонокосилку в неблагоприятных погодных условиях, особенно если существует риск удара молнии.
 5. При эксплуатации газонокосилки обязательно носите средства защиты глаз и прочную обувь.
 6. Используйте устройство только в дневное время или при хорошем искусственном освещении.
 7. Осторожно включайте газонокосилку в соответствии с инструкциями, ноги при этом должны находиться как можно дальше от лезвия.
 8. Соблюдайте меры безопасности во избежание травмирования ног и рук лезвием газонокосилки.
 9. Следите за тем, чтобы вентиляционные отверстия не были засорены.
 10. Выполняйте стрижку газонов поперек склона, а не вниз-вверх. Соблюдайте особую осторожность, меняя направление движения на склонах. Не выполняйте стрижку чересчур крутых склонов.
 11. Соблюдайте особую осторожность, перемещая газонокосилку задним ходом или подтягивая ее к себе.
 12. Обязательно остановите лезвие(я), если машину необходимо наклонить для транспортировки по поверхности, отличной от травы, либо при транспортировке машины к месту эксплуатации и обратно.
 13. Не наклоняйте газонокосилку при включении двигателя, кроме случаев, когда ее необходимо наклонять для пуска. В этом случае наклоняйте ее на минимально необходимый угол и поднимайте только дальнюю от оператора часть. При опускании газонокосилки на землю всегда крепко держите рукоятку обеими руками.
 14. Не помещайте руки или ноги под вращающиеся детали или вблизи них. Никогда не становитесь перед разгрузочным отверстием.
 15. Не транспортируйте включенную газонокосилку.
 16. Не рекомендуется использовать машину на мокрой траве.
 17. Постоянно надежно удерживайте рукоятку.
 18. Поднимая или удерживая косилку, не беритесь за оголенные ножи или режущие кромки.
 19. Не приближайте руки и ноги к вращающимся ножам. Внимание - лезвия продолжают вращаться после отключения газонокосилки.
 20. Немедленно прекратите выполнение операции, если заметите отклонения в работе. Выключите газонокосилку. Затем осмотрите газонокосилку.
 21. Запрещается регулировать высоту скашивания во время движения газонокосилки (если газонокосилка позволяет регулировать высоту скашивания).
 22. Отпустите рычаг переключателя и дождитесь остановки лезвия, прежде чем переходить улицы, пешеходные дорожки, дороги и любые участки с гравийным покрытием. Кроме того, выключайте машину, если выпускаете газонокосилку из рук, нагибаетесь, чтобы подобрать или убрать что-либо с дороги, или по любой другой причине, которая может отвлечь от работы.
 23. Если газонокосилка ударилась о посторонний предмет, выполните следующие:
 - выключите газонокосилку, отпустите рычажный выключатель и дождитесь полной остановки лезвия;
 - снимите блок аккумулятора.
 - внимательно осмотрите газонокосилку на предмет повреждений;
 - замените лезвие, если оно повреждено.
 Устраните повреждения, прежде чем перезапустить газонокосилку и возобновлять работу.
 24. Не включайте двигатель, стоя перед разгрузочным отверстием.
 25. Если начинается непредусмотренная вибрация машины (немедленно проверьте)
 - осмотрите на предмет повреждений;
 - замените или отремонтируйте поврежденные детали;
 - проверьте на предмет ослабленных деталей и подтяните их.
 26. Не направляйте поток срезанного материала на людей. Не направляйте поток срезанного материала на стену или какой-либо предмет. Срезанный материал может отскочить в сторону оператора. Остановите лезвия на время транспортировки по поверхности из гравия.
 27. Не тяните газонокосилку назад без крайней необходимости. Если необходимо отвести косилку от забора или другого аналогичного препятствия, смотрите назад себе под ноги до начала движения, а также во время движения задним ходом.
 28. Прежде чем снимать травосборник, отключите двигатель и подождите, пока лезвие полностью остановится. Имейте в виду, что лезвия продолжают вращаться после отключения.
 29. При использовании устройства в грязи, на влажном склоне или на скользкой поверхности будьте осторожны, чтобы не поскользнуться.
 30. Не допускайте погружения устройства в лужи.
 31. При работе с машиной следите за тем, чтобы не допустить контакта с трубопроводом или проводами.
- Техническое обслуживание и хранение**
1. Чтобы обеспечить безопасность, заменяйте изношенные и поврежденные детали. Используйте только оригинальные сменные части и приспособления.

2. Регулярно осматривайте и выполняйте техническое обслуживание газонокосилки.
3. Когда газонокосилка не используется, храните ее в недоступном для детей месте.
4. Все гайки, болты и винты должны быть надежно затянуты — это обеспечит безопасность и работоспособность.
5. Чаще проверяйте корзину для травы на предмет износа или повреждений. Помещая устройство на хранение, обязательно очистите корзину для травы. Для обеспечения безопасности замените изношенную корзину для травы на новую.
6. Пользуйтесь только оригинальными лезвиями производителя, указанными в данном руководстве.
7. Соблюдайте осторожность при регулировке газонокосилки, чтобы не допустить защемления пальцев между движущимися лезвиями и неподвижными деталями машины.
8. Чаще проверяйте надежность затяжки болта крепления лезвия.
9. Перед постановкой на хранение дайте косилке остыть.
10. При обслуживании лезвий следует помнить, что лезвия могут двигаться даже при отключенном питании.
11. Не удаляйте предохранительные устройства и не вносите изменения в их конструкцию. Регулярно проверяйте правильность их работы. Не предпринимайте никаких действий, которые могут повлиять на функционирование предохранительного устройства или снизить степень защиты, обеспечиваемой предохранительным устройством.
12. Не оставляйте устройство без присмотра под открытым небом в дождь.
13. Не храните устройство в помещениях с высокой влажностью или температурой, на солнце или под дождем.
4. При неправильном обращении из аккумуляторного блока может потечь жидкость. Избегайте контакта с ней. В случае контакта с кожей промойте место контакта обильным количеством воды. В случае попадания в глаза обратитесь к врачу. Жидкость из аккумулятора может вызвать раздражение или ожоги.
5. Не используйте поврежденные или модифицированные инструменты и аккумуляторные блоки. Поврежденные или модифицированные аккумуляторы могут работать некорректно, что может привести к пожару, взрыву или травмированию.
6. Не подвергайте аккумуляторный блок или инструмент воздействию огня или высокой температуры. Воздействие огня или температуры выше 130 °C может привести к взрыву.
7. Следуйте всем инструкциям по зарядке и не заряжайте аккумуляторный блок или инструмент при температурных условиях, выходящих за пределы диапазона, указанного в инструкции. Зарядка ненадлежащим образом или при температурных условиях, выходящих за пределы указанного диапазона, может привести к повреждению батареи и повысить риск пожара.

Электробезопасность

1. Не бросайте аккумуляторные блоки в огонь. Они могут взорваться. Уточните местные правила утилизации аккумуляторов.
 2. Не вскрывайте и не разбивайте аккумуляторы. Содержащийся в них электролит очень едкий, вы можете повредить глаза или кожу. При проглатывании это вещество может вызвать отравление.
 3. Не заряжайте аккумулятор под дождем или в местах с повышенной влажностью.
 4. Не заряжайте аккумулятор на улице.
 5. Не касайтесь зарядного устройства, а также штекера и контактов зарядного устройства влажными руками.
 6. Запрещается заменять аккумулятор под дождем.
 7. Избегайте смачивания клемм аккумулятора жидкостью, например водой, и не допускайте погружения аккумулятора в жидкость. Запрещается оставлять аккумулятор под дождем, заряжать, использовать или хранить аккумулятор в местах с повышенной влажностью. Мокрые клеммы или попадание жидкости внутрь аккумулятора могут привести к короткому замыканию аккумулятора, его перегреву, возгоранию или взрыву.
 8. После извлечения аккумулятора из газонокосилки или зарядного устройства обязательно присоедините к аккумулятору крышку отсека аккумулятора и оставьте его в сухом месте.
 9. Запрещается выполнять замену аккумулятора мокрыми руками.
 10. Избегайте опасных сред. Не используйте машину в местах с повышенной влажностью и под дождем. Попавшая в машину вода повышает опасность поражения электрическим током.
- Эксплуатация и обслуживание электроинструмента, работающего на аккумуляторах**
1. Заряжайте аккумулятор только зарядным устройством, указанным изготовителем. Зарядное устройство, подходящее для одного типа аккумуляторов, может привести к пожару при его использовании с другим аккумуляторным блоком.
 2. Используйте электроинструмент только с указанными аккумуляторными блоками. Использование других аккумуляторных блоков может привести к травме или пожару.
 3. Когда аккумуляторный блок не используется, храните его отдельно от металлических предметов, таких как скрепки, монеты, ключи, гвозди, шурупы или другие небольшие металлические предметы, которые могут привести к закорачиванию контактов аккумуляторного блока между собой. Короткое замыкание между контактами аккумуляторного блока может привести к ожогам или пожару.

11. В случае попадания воды на блок аккумулятора вылейте воду из блока и протрите его сухой тканью. Прежде чем использовать блок аккумулятора, дайте ему полностью высохнуть в сухом месте.

Сервисное обслуживание

1. Сервисное обслуживание электроинструмента должно проводиться только квалифицированным специалистом по ремонту и только с использованием идентичных запасных частей. Это позволит обеспечить безопасность электроинструмента.
2. Запрещается обслуживать поврежденные аккумуляторные блоки. Обслуживание аккумуляторных блоков должен осуществлять только производитель или авторизованные поставщики услуг.

СОХРАНИТЕ ДАННЫЕ ИНСТРУКЦИИ.

▲ ОСТОРОЖНО: НЕ ДОПУСКАЙТЕ, чтобы удобство или опыт эксплуатации данного устройства (полученный от многократного использования) доминировали над строгим соблюдением правил техники безопасности при обращении с этим устройством.

НЕПРАВИЛЬНОЕ ИСПОЛЬЗОВАНИЕ инструмента или несоблюдение правил техники безопасности, указанных в данном руководстве, может привести к тяжелой травме.

Важные правила техники безопасности для работы с аккумуляторным блоком

1. Перед использованием аккумуляторного блока прочитайте все инструкции и предупреждающие надписи на (1) зарядном устройстве, (2) аккумуляторном блоке и (3) инструменте, работающем от аккумуляторного блока.
2. Не разбирайте блок аккумулятора и не меняйте его конструкцию. Это может привести к пожару, перегреву или взрыву.
3. Если время работы аккумуляторного блока значительно сократилось, немедленно прекратите работу. В противном случае, может возникнуть перегрев блока, что приведет к ожогам и даже к взрыву.
4. В случае попадания электролита в глаза промойте их обильным количеством чистой воды и немедленно обратитесь к врачу. Это может привести к потере зрения.
5. Не замыкайте контакты аккумуляторного блока между собой:
 - (1) Не прикасайтесь к контактам какими-либо токопроводящими предметами.
 - (2) Не храните аккумуляторный блок в контейнере вместе с другими металлическими предметами, такими как гвозди, монеты и т. п.
 - (3) Не допускайте попадания на аккумуляторный блок воды или дождя.

Замыкание контактов аккумуляторного блока между собой может привести к возникновению большого тока, перегреву, возможным ожогам и даже поломке блока.

6. Не храните и не используйте инструмент и аккумуляторный блок в местах, где температура может достигать или превышать 50 °C (122 °F).
7. Не бросайте аккумуляторный блок в огонь, даже если он сильно поврежден или полностью вышел из строя. Аккумуляторный блок может взорваться под действием огня.
8. Запрещено вбивать гвозди в блок аккумулятора, резать, ломать, бросать, ронять блок аккумулятора или ударять его твердым предметом. Это может привести к пожару, перегреву или взрыву.
9. Не используйте поврежденный аккумуляторный блок.
10. Входящие в комплект литий-ионные аккумуляторы должны эксплуатироваться в соответствии с требованиями законодательства об опасных товарах.

При коммерческой транспортировке, например, третьей стороной или экспедитором, необходимо нанести на упаковку специальные предупреждения и маркировку.

В процессе подготовки устройства к отправке обязательно проконсультируйтесь со специалистом по опасным материалам. Также соблюдайте местные требования и нормы. Они могут быть строже.

Закройте или закрепите разомкнутые контакты и упакуйте аккумулятор так, чтобы он не перемещался по упаковке.
11. Для утилизации блока аккумулятора извлеките его из инструмента и утилизируйте безопасным способом. Выполняйте требования местного законодательства по утилизации аккумуляторного блока.
12. Используйте аккумуляторы только с продукцией, указанной Makita. Установка аккумуляторов на продукцию, не соответствующую требованиям, может привести к пожару, перегреву, взрыву или утечке электролита.
13. Если инструментом не будут пользоваться в течение длительного периода времени, извлеките аккумулятор из инструмента.
14. Во время и после использования блок аккумулятора может нагреваться, что может стать причиной ожогов или низкотемпературных ожогов. Будьте осторожны при обращении с горячим блоком аккумулятора.
15. Не прикасайтесь к контактам инструмента сразу после использования, поскольку они могут быть достаточно горячими, чтобы вызвать ожоги.
16. Не допускайте налипания на контакты, отверстия и пазы блока аккумулятора опилок, пыли или земли. Это может стать причиной перегрева, возгорания, взрыва или неисправности инструмента или блока аккумулятора, что может привести к ожогам или травмам.

17. Если инструмент не рассчитан на использование вблизи высоковольтных линий электропередач, не используйте блок аккумулятора вблизи высоковольтных линий электропередач. Это может привести к неисправности, поломке инструмента или блока аккумулятора.
18. Храните аккумулятор в недоступном для детей месте.

СОХРАНИТЕ ДАННЫЕ ИНСТРУКЦИИ.

▲ВНИМАНИЕ: Используйте только фирменные аккумуляторные батареи Makita. Использование аккумуляторных батарей, не произведенных Makita, или батарей, которые были подвергнуты модификациям, может привести к взрыву аккумулятора, пожару, травмам и повреждению имущества. Это также автоматически аннулирует гарантию Makita на инструмент и зарядное устройство Makita.

Советы по обеспечению максимального срока службы аккумулятора

1. Заряжайте блок аккумуляторов перед его полной разрядкой. Обязательно прекратите работу с инструментом и зарядите блок аккумуляторов, если вы заметили снижение мощности инструмента.
2. Никогда не подзаряжайте полностью заряженный блок аккумуляторов. Перезарядка сокращает срок службы аккумулятора.
3. Заряжайте блок аккумуляторов при комнатной температуре в 10 - 40 °C (50 - 104 °F). Перед зарядкой горячего блока аккумулятора дайте ему остыть.
4. Если блок аккумулятора не используется, извлеките его из инструмента или зарядного устройства.
5. Зарядите ионно-литиевый аккумуляторный блок, если вы не будете пользоваться инструментом длительное время (более шести месяцев).

СБОРКА

▲ОСТОРОЖНО: Перед выполнением каких-либо операций с устройством обязательно убедитесь в том, что все блоки аккумуляторов извлечены. Несоблюдение требования по извлечению всех блоков аккумуляторов может привести к тяжелой травме в результате случайного запуска инструмента.

▲ОСТОРОЖНО: Не запускайте частично собранную газонокосилку. Использование машины в частично собранном виде может стать причиной тяжелой травмы в результате случайного пуска.

Установка рукоятки

ПРИМЕЧАНИЕ: При установке рукояток следите за тем, чтобы не защемить шнур между рукоятками. Если шнур поврежден, то выключатель косилки может не работать.

1. Совместите отверстие в нижней рукоятке с отверстием в верхней рукоятке, а затем вставьте болт снаружи и затяните накатную гайку изнутри. Выполните ту же процедуру с другой стороны.
► **Рис.1:** 1. Болт 2. Накатная гайка 3. Нижняя рукоятка 4. Верхняя рукоятка

2. Оттянув поворотную ручку на нижней рукоятке, поверните ее на 90°, чтобы освободить фиксирующий штифт. Выполните ту же процедуру с другой стороны. Поднимите рукоятку, а затем поверните поворотные ручки с обеих сторон на 90°. Убедитесь в том, что поворотные ручки надежно зафиксированы.

► **Рис.2:** 1. Поворотная ручка

ПРИМЕЧАНИЕ: Поддерживание рукоятки облегчает высвобождение фиксирующего штифта при оттягивании поворотной ручки.

ПРИМЕЧАНИЕ: При повороте ручки соблюдайте осторожность, чтобы не защемить в ней шнур.

► **Рис.3:** 1. Поворотная ручка

Удаление вставки для мульчирования

1. Откройте заднюю крышку.

► **Рис.4:** 1. Задняя крышка

2. Слегка приподнимите и вытащите вставку для мульчирования.

► **Рис.5:** 1. Вставка для мульчирования

Сборка корзины для травы

1. Снимите верхний зажим корзины для травы.

► **Рис.6:** 1. Верхний зажим

2. Вставьте раму в корзину для травы до упора, удерживая рукоятку рамы.

► **Рис.7:** 1. Рукоятка

ПРИМЕЧАНИЕ: Не вставляйте рукоятку в корзину для травы. Раму необходимо вставлять вдоль шва корзины для травы.

3. Убедитесь, что края корзины для травы не просаживаются.

► **Рис.8**

4. Откройте верхний зажим и прикрепите его к раме.

► **Рис.9**

5. Прикрепите все остальные зажимы, как показано на рисунке. Убедитесь, что все зажимы надежно закреплены на раме.

► **Рис.10:** 1. Зажим

Установка или удаление корзины для травы

Установка корзины для травы выполняется по указанной далее процедуре.

1. Откройте заднюю крышку.
▶ **Рис.11:** 1. Задняя крышка
2. Удерживая рукоятку корзины для травы, зацепите корзину для травы за стержень корпуса газонокосилки, как показано на рисунке.
▶ **Рис.12:** 1. Корзина для травы 2. Рукоятка 3. Стержень

Для снятия корзины для травы откройте заднюю крышку и извлеките корзину для травы, удерживая рукоятку.

Установка вставки для мульчирования

1. Откройте заднюю крышку и снимите корзину для травы.
▶ **Рис.13:** 1. Задняя крышка 2. Корзина для травы
2. Прикрепите вставку для мульчирования, продвинув ее на максимально возможное расстояние таким образом, чтобы выступы вставки для мульчирования вошли в отверстия устройства.
▶ **Рис.14:** 1. Вставка для мульчирования 2. Выступ

Установка или снятие желоба выброса

Для установки желоба выброса выполните указанные ниже действия.

1. Откройте заднюю крышку, а затем снимите корзину для травы и вставку для мульчирования.
2. Зацепите отверстия желоба выброса за выступы на корпусе газонокосилки, как показано на рисунке.
▶ **Рис.15:** 1. Желоб выброса 2. Выступ

Для снятия желоба выброса откройте заднюю крышку, а затем снимите желоб выброса.

ОПИСАНИЕ РАБОТЫ

Установка или снятие блока аккумулятора

⚠ВНИМАНИЕ: Перед установкой и извлечением блока аккумулятора выключайте машину.

⚠ВНИМАНИЕ: При установке и извлечении блока аккумулятора крепко удерживайте машину и блок аккумулятора. Если не удерживать машину и блок аккумулятора крепко, они могут выскользнуть из рук, что приведет к повреждению машины и блока аккумулятора, а также травмированию оператора.

⚠ВНИМАНИЕ: Перед использованием убедитесь, что заперли крышку блока аккумулятора. В противном случае грязь, мусор или вода могут повредить изделие или блок аккумулятора.

⚠ВНИМАНИЕ: Обязательно устанавливайте блок аккумулятора до конца таким образом, чтобы красный индикатор не был виден. В противном случае блок может выпасть из машины и нанести травму вам или другим людям.

⚠ВНИМАНИЕ: Не прилагайте чрезмерных усилий при установке блока аккумулятора. Если блок не двигается свободно, значит он вставлен неправильно.

⚠ВНИМАНИЕ: При установке и извлечении блока аккумулятора крепко удерживайте крышку аккумуляторного отсека.

Чтобы установить блок аккумулятора:

1. Потяните вверх стопорный рычаг и откройте крышку отсека аккумулятора.

▶ **Рис.16:** 1. Крышка аккумуляторной батареи 2. Стопорный рычаг

2. Совместите язычок на блоке аккумулятора с канавкой на машине и вставьте блок до легкого щелчка.

▶ **Рис.17:** 1. Блок аккумулятора

3. Закройте крышку аккумулятора и нажмите на нее до фиксации рычагом блокировки.

Снятие блока аккумулятора

1. Потяните вверх стопорный рычаг и откройте крышку аккумуляторного отсека.

2. Потяните блок аккумулятора из машины, удерживая нажатой кнопку на лицевой стороне, и извлеките блок.

3. Закройте крышку аккумулятора.

Система защиты машины / аккумулятора

На машине предусмотрена система защиты машины / аккумулятора. Эта система автоматически отключает питание двигателя для продления срока службы машины и аккумулятора. Машина автоматически отключится в указанных далее случаях, влияющих на работу самой машины или аккумулятора.

Защита от перегрузки

Если из-за способа эксплуатации аккумулятора потребляет anomalно высокий ток, машина автоматически выключится, а основной индикатор питания начнет мигать зеленым. В этом случае отключите машину и прекратите работу, из-за которой произошла перегрузка. Затем включите машину для перезапуска.

Защита от перегрева

В случае перегрева устройства останавливается автоматически, а основной индикатор питания загорается красным. В этом случае дайте устройству и аккумуляторам остыть перед повторным включением.

ПРИМЕЧАНИЕ: При перегреве аккумулятора основной индикатор питания начинает мигать красным.

Защита от переразрядки

Если емкости аккумулятора недостаточно, машина остановится автоматически, а основной индикатор питания начнет мигать красным. В этом случае следует извлечь из машины аккумулятор и зарядить блоки аккумуляторов или заменить их на полностью заряженные.

Защита от других неполадок

Система защиты рассчитана также и на другие неполадки, способные повредить машину, и обеспечивает возможность ее автоматической остановки. В случае временной остановки или прекращения работы машины выполните все перечисленные ниже действия для устранения причины остановки.

1. Выключите машину и снова включите ее для перезапуска.
2. Зарядите аккумулятор(-ы) или замените его/их на заряженный(-е).
3. Дайте машине и аккумулятору(-ам) возможность остыть.

Если после восстановления системы защиты ситуация не изменится, обратитесь в сервисный центр Makita.

ПРИМЕЧАНИЕ: Если машина останавливается по причине, не описанной выше, см. раздел, касающийся поиска и устранения неисправностей.

Индикация оставшегося заряда аккумулятора

► Рис.18: 1. Индикатор аккумулятора

При низком заряде аккумулятора его индикатор начинает мигать на соответствующей стороне аккумулятора. При дальнейшем использовании машина останавливается, и загорается индикатор аккумулятора. В этом случае следует зарядить блок аккумулятора.













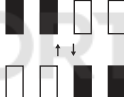
ПРИМЕЧАНИЕ: Если установлены два блока аккумуляторов, то первым используется аккумулятор, установленный с левой стороны.

ПРИМЕЧАНИЕ: Если установлены два блока аккумуляторов, то машина автоматически переключается на другой аккумулятор при исчерпании заряда используемого аккумулятора.

Индикация оставшегося заряда аккумулятора

Нажмите кнопку проверки на аккумуляторном блоке для проверки заряда. Индикаторы загорятся на несколько секунд.

► Рис.19: 1. Индикаторы 2. Кнопка проверки

Индикаторы			Уровень заряда
			
			от 75 до 100%
			от 50 до 75%
			от 25 до 50%
			от 0 до 25%
			Зарядите аккумуляторную батарею.
			Возможно, аккумуляторная батарея неисправна.

ПРИМЕЧАНИЕ: В зависимости от условий эксплуатации и температуры окружающего воздуха индикация может незначительно отличаться от фактического значения.

ПРИМЕЧАНИЕ: Первая (дальняя левая) индикаторная лампа будет мигать во время работы защитной системы аккумулятора.

Панель управления

На панели управления имеется главный переключатель питания и кнопка переключения режимов.

► Рис.20: 1. Индикатор плавного режима без нагрузки 2. Индикатор режима снижения уровня шума 3. Кнопка переключения режимов 4. Основной индикатор питания 5. Главный переключатель питания

Главный переключатель питания

⚠ ОСТОРОЖНО: Держите основной переключатель питания выключенным, когда он не используется.

Для включения устройства нажмите главный переключатель питания. Основной индикатор питания загорится зеленым светом. Для выключения устройства нажмите главный переключатель питания еще раз.

ПРИМЕЧАНИЕ: Если основной индикатор питания загорится красным или начнет мигать красным или зеленым, см. раздел инструкции по системе защиты машины или аккумулятора.

ПРИМЕЧАНИЕ: Эта машина оснащена функцией автоматического отключения. Для предотвращения случайного запуска главный переключатель питания автоматически отключается, если не нажимать рычажный выключатель и рычаг привода (если установлены) в течение определенного периода времени после включения главного переключателя питания.

Кнопка переключения режимов

Переключить режим работы можно нажатием кнопки переключения режимов. После включения машина начинает работу в нормальном режиме. Информацию по каждому режиму см. в приведенной ниже таблице.

Режим	Индикатор	Описание
Нормальный режим	Как индикатор плавного режима без нагрузки, так и индикатор режима снижения уровня шума не горят.	Машина работает в нормальном режиме.
Плавный режим без нагрузки	Индикатор плавного режима без нагрузки загорается зеленым.	Возможна минимизация пускового удара и плавный запуск машины.
Режим снижения уровня шума	Индикатор режима снижения уровня шума загорается зеленым.	Уровень шума при скашивании может быть понижен.

Действие выключателя

▲ОСТОРОЖНО: Перед установкой блока аккумулятора обязательно убедитесь в том, что рычажный выключатель работает правильно и возвращается в исходное положение после отпущения. Эксплуатация машины с неисправным переключателем может привести к потере контроля над ней и получению тяжелой травмы.

ПРИМЕЧАНИЕ: Если не нажать кнопку включения, газонокосилка не запустится, даже если потянуть рычажный выключатель.

ПРИМЕЧАНИЕ: Газонокосилка может не запуститься по причине перегрузки, если вы косите высокую или густую траву. В таком случае увеличьте высоту стрижки.

Данная машина оснащена кнопкой включения. Заметив какие-либо отклонения в работе кнопки включения, немедленно прекратите работу и проверьте ее в ближайшем авторизованном сервисном центре Makita.

1. Установите блоки аккумуляторов и закройте крышку аккумуляторного отсека.
2. Нажмите главный переключатель питания.

ПРИМЕЧАНИЕ: Основной индикатор питания мигает зеленым при нажатии главного переключателя питания с одновременным оттягиванием рычага переключателя. Перед нажатием главного переключателя питания отпустите рычаг переключателя.

3. Потяните рычаг переключателя к себе, удерживая нажатой кнопку включения. Сразу после запуска двигателя отпустите кнопку включения.

► **Рис.21:** 1. Кнопка включения 2. Рычаг переключателя

4. Удерживая рычажный выключатель, нажмите рычаг привода вперед и удерживайте для снятия блокировки задних колес.

► **Рис.22:** 1. Рычаг привода

ПРИМЕЧАНИЕ: Задние колеса можно привести в движение, нажав рычаг привода вперед и удерживая его без нажатия рычажного выключателя.

5. Чтобы остановить машину, отпустите рычаг привода и рычажный выключатель.

Регулировка высоты стрижки

▲ОСТОРОЖНО: При регулировке высоты стрижки не подсовывайте руку или ногу под газонокосилку.

▲ОСТОРОЖНО: Перед началом работы обязательно проверяйте, что рычаг хорошо входит в паз.

Высоту скашивания можно регулировать в диапазоне от 20 мм до 100 мм.

Выключите машину, потяните рычаг регулировки высоты скашивания наружу относительно корпуса газонокосилки и переместите его в положение, соответствующее желаемой высоте скашивания.

► **Рис.23:** 1. Рычаг регулировки высоты скашивания

В таблице ниже показано соотношение цифр на корпусе газонокосилки и приблизительной высоты скашивания.

Цифра	Высота скашивания
1	20 мм
2	26 мм
3	32 мм
4	39 мм
5	47 мм
6	55 мм
7	63 мм
8	74 мм
9	86 мм
10	100 мм

Возьмитесь одной рукой за нижнюю рукоятку и перемещайте рычаг регулировки высоты скашивания второй рукой.

► **Рис.24:** 1. Рычаг регулировки высоты скашивания 2. Нижняя рукоятка

ПРИМЕЧАНИЕ: Значения высоты стрижки приведены только для справки. В зависимости от состояния газона и почвы конечная высота скошенной травы может незначительно отличаться от заданной.

ПРИМЕЧАНИЕ: Чтобы добиться желаемой высоты, выполните пробное скашивание на не слишком заметном участке газона.

Индикатор уровня травы

Индикатор уровня травы показывает объем скошенной травы. Если корзина для травы не заполнена до верха, индикатор перемещается во время работы лезвий.

► **Рис.25:** 1. Индикатор уровня травы

Если корзина для травы почти заполнена, индикатор не перемещается во время работы лезвий. В этом случае немедленно прекратите работу и опорожните корзину.

► **Рис.26:** 1. Индикатор уровня травы

ПРИМЕЧАНИЕ: Данный индикатор показывает приблизительный объем. В зависимости от условий внутри корзины индикатор может работать с ошибками.

Регулировка высоты рукоятки

Рукоятка имеет двухступенчатую регулировку высоты.

1. Удерживая нижнюю рукоятку, оттяните поворотную ручку на нижней рукоятке и поверните ее на 90°, чтобы освободить фиксирующий штифт. Выполните ту же процедуру с другой стороны.

► **Рис.27:** 1. Нижняя рукоятка 2. Поворотная ручка

ПРИМЕЧАНИЕ: Поддерживание рукоятки облегчает высвобождение фиксирующего штифта при оттягивании поворотной ручки.

2. Отрегулируйте высоту рукоятки, а затем поверните поворотные ручки с обеих сторон на 90°. Убедитесь в том, что поворотные ручки надежно зафиксированы.

► **Рис.28:** 1. Поворотная ручка

Регулировка скорости передвижения

► **Рис.29:** 1. Рычаг регулировки скорости

Скорость передвижения можно отрегулировать рычагом регулировки скорости. Для уменьшения скорости потяните рычаг на себя, для увеличения скорости нажмите рычаг вперед.

Использование вставки для мульчирования

Вставка для мульчирования позволяет сбрасывать измельченную траву обратно на газон без сбора в корзину для травы. При работе с машиной, на которой установлена вставка для мульчирования, обязательно снимите корзину для травы или желоб выброса.

ПРИМЕЧАНИЕ: При использовании машины со вставкой для мульчирования убедитесь в том, что общая длина травы после срезания составляет не менее 30 мм, а длина среза – не более 15 мм.

► **Рис.30:** (1) 30 мм или больше (2) 15 мм или меньше

Использование желоба выброса

Желоб выброса позволяет сбрасывать измельченную траву обратно на газон с правой стороны машины, не собирая ее в корзину для травы. При работе с машиной, на которой установлен желоб выброса, обязательно снимите корзину для травы и вставку для мульчирования.

Использование заднего выброса

Использование заднего выброса позволяет сбрасывать измельченную траву на газон с задней стороны машины без сбора ее в корзину для травы.

При работе с машиной с использованием заднего выброса обязательно снимите вставку для мульчирования, а также корзину для травы или желоб выброса, и закройте заднюю крышку.

Электронная функция

Для простоты эксплуатации устройство оснащено электронными функциями.

- Плавный запуск во время приведения в движение
Функция плавного запуска уменьшает пусковой удар и смягчает запуск устройства.
- Электрический тормоз
Эта машина оснащена электрическим тормозом. Если после отпущения рычажного выключателя не каждый раз происходит быстрая остановка лезвий газонокосилки, отправьте машину в официальный сервисный центр Makita для обслуживания.

ЭКСПЛУАТАЦИЯ

Скашивание

▲ОСТОРОЖНО: Перед скашиванием убедитесь в газона ветки и камни. Кроме того, заблаговременно очистите газон от сорняков.

▲ОСТОРОЖНО: При использовании газонокосилки обязательно надевайте защитные очки с боковыми щитками.

▲ВНИМАНИЕ: Если внутри корпуса газонокосилки набилась скошенная трава или посторонние предметы, то перед извлечением травы или посторонних предметов обязательно снимите блоки аккумуляторов и наденьте перчатки.

ПРИМЕЧАНИЕ: Используйте машину только для стрижки газонов. Не используйте ее для скашивания сорняков.

► **Рис.31**

Во время работы крепко удерживайте рукоятку обеими руками. Рекомендованная скорость скашивания составляет приблизительно от 7 до 14 метров за 10 секунд.

► **Рис.32**

ПРИМЕЧАНИЕ: При стрижке газона с высокой или плотной травой, если после скашивания трава выглядит неровной плохо скошенной либо в процессе скашивания наблюдается падение оборотов двигателя ниже уровня, рекомендуемого в настоящем руководстве, то следует уменьшить скорость или увеличить высоту скашивания.

Центральные линии на передних колесах показывают ширину полосы скашивания. Используйте их в качестве направляющих, косите полосами. Чтобы равномерно подстричь газон, захватывайте половину или третью часть предыдущей полосы.

► **Рис.33:** 1. Ширина скашивания 2. Зона захвата 3. Центральная линия

Каждый раз меняйте направление движения, чтобы избежать пригибания травы в одном направлении.

► **Рис.34**

Периодически проверяйте степень заполнения корзины для травы. Опорожняйте корзину до ее заполнения. Перед каждой периодической проверкой обязательно останавливайте и выключайте машину.

ПРИМЕЧАНИЕ: Эксплуатация газонокосилки с заполненной корзиной для травы мешает плавному вращению лезвия и оказывает дополнительную нагрузку на двигатель, что может привести к поломке.

Скашивание газона с высокой травой

Не старайтесь скашивать газон с длинной травой за один заход. Вместо этого выполняйте работу в несколько этапов. Стригите газон с интервалом в один или два дня до тех пор, пока он не станет ровным.

► **Рис.35**

ПРИМЕЧАНИЕ: Скашивание газона с длинной травой до короткого состояния за один заход может привести к его гибели. Скошенная трава также может застрять внутри корпуса косилки.

ПРИМЕЧАНИЕ: Если после скашивания трава выглядит неровной или в процессе скашивания наблюдается снижение оборотов двигателя, следует уменьшить скорость скашивания или увеличить высоту скашивания.

Опорожнение корзины для травы

▲ОСТОРОЖНО: Чтобы снизить риск несчастного случая, регулярно проверяйте корзину для травы на предмет повреждений и потери прочности. При необходимости замените ее.

1. Отпустите рычажный выключатель и рычаг привода.
 2. Выключите машину.
 3. Откройте заднюю крышку и извлеките корзину для травы за специальную рукоятку.
- **Рис.36:** 1. Задняя крышка 2. Ручка 3. Корзина для травы
4. Опорожните корзину для травы.

ОБСЛУЖИВАНИЕ

▲ОСТОРОЖНО: Перед помещением на хранение, переноской, осмотром или техническим обслуживанием машины обязательно вынимайте все блоки аккумуляторов.

▲ОСТОРОЖНО: При осмотре и обслуживании надевайте защитные перчатки.

▲ОСТОРОЖНО: При осмотре и техническом обслуживании газонокосилки обязательно надевайте защитные очки с боковыми щитками.

ПРИМЕЧАНИЕ: Запрещается использовать бензин, растворители, спирт и другие подобные жидкости. Это может привести к обесцвечиванию, деформации и трещинам.

Для обеспечения БЕЗОПАСНОСТИ и НАДЕЖНОСТИ оборудования ремонт, любое другое техобслуживание или регулировку необходимо производить в уполномоченных сервис-центрах Makita или сервис-центрах предприятия с использованием только сменных частей производства Makita.

Обслуживание

1. Выньте все блоки аккумуляторов и закройте крышку аккумуляторного отсека.
2. Положите газонокосилку на бок. Удалите обрезки травы с днища газонокосилки.
3. Вода должна стекать к нижней части устройства, где крепится лезвие.

ПРИМЕЧАНИЕ: Запрещается мыть устройство струей воды с высоким напором.

4. Проверьте надежность затяжки всех гаек, болтов, винтов и т. п.
5. Осмотрите подвижные части на предмет повреждений, поломок и износа. Необходимо отремонтировать или заменить поврежденные компоненты.

6. Храните газонокосилку в безопасном месте, недоступном для детей.

ПРИМЕЧАНИЕ: Не допускайте попадания воды на зону, показанную на рисунке.

Попадание воды на узел двигателя может привести к неисправности машины.

► **Рис.37:** 1. Зона, куда не следует допускать попадания воды

ПРИМЕЧАНИЕ: Не поливайте водой машину, когда она находится в вертикальном положении, как показано на рисунке. Когда машина находится в вертикальном положении, вода может попасть в узел двигателя и вызвать поломку машины.

► **Рис.38**

Переноска газонокосилки

ВНИМАНИЕ: Прежде чем переносить газонокосилку, обязательно извлеките все блоки аккумуляторов.

При переноске газонокосилки два человека должны удерживать ее за заднюю рукоятку и за расположенный в передней части машины участок для удержания снизу, как показано на рисунке.

► **Рис.39:** 1. Участок для удержания снизу
2. Задняя рукоятка

Хранение

ВНИМАНИЕ: При установке машины в вертикальное положение ее следует разместить на ровной и устойчивой поверхности. Если поставить машину на неустойчивую поверхность, она может опрокинуться и нанести травмы.

Храните газонокосилку в помещении, в сухом, прохладном, запираемом месте. Не храните газонокосилку и зарядное устройство в местах, где температура может подниматься до 40 °С и выше.

1. Выньте все блоки аккумуляторов.
2. Оттянув поворотную ручку на нижней рукоятке, поверните ее на 90°, чтобы освободить фиксирующий штифт. Выполните ту же процедуру с другой стороны, а затем сложите рукоятку.

► **Рис.40:** 1. Поворотная ручка

ПРИМЕЧАНИЕ: Поддерживание рукоятки облегчает высвобождение фиксирующего штифта при оттягивании поворотной ручки.

3. Поверните поворотную ручку с обеих сторон на 90°. Убедитесь в том, что поворотные ручки надежно зафиксированы.

► **Рис.41:** 1. Поворотная ручка

ПРИМЕЧАНИЕ: Складывая рукоятку, соблюдайте осторожность, чтобы не защемить провода.

4. Ослабьте накатные гайки с обеих сторон и сложите верхнюю рукоятку, как показано на рисунке.

► **Рис.42:** 1. Накатная гайка 2. Верхняя рукоятка

5. Установите машину в вертикальное положение.

ПРИМЕЧАНИЕ: При установке косилки в вертикальное положение не пытайтесь удерживать ее только за рукоятку; придерживайте корпус косилки и рукоятку.

6. Корзину для травы следует хранить так, как показано на рисунке.

► **Рис.43:** 1. Корзина для травы

► **Рис.44:** 1. Корзина для травы

Снятие или установка лезвия косилки

ОСТОРОЖНО: После отпущения выключателя лезвие продолжает вращаться по инерции в течение нескольких секунд. Не приступайте к выполнению каких-либо операций, пока лезвие полностью не остановится.

ОСТОРОЖНО: При снятии и установке лезвия обязательно вынимайте все блоки аккумуляторов. Невыполнение требования об извлечении всех блоков аккумуляторов может привести к тяжелой травме.

ОСТОРОЖНО: При работе с лезвием обязательно надевайте защитные перчатки.

Снятие лезвия газонокосилки

1. Положите газонокосилку на бок, чтобы рычаг регулировки высоты скашивания оказался сверху.
2. Чтобы заблокировать лезвие, вставьте штифт в отверстие на корпусе газонокосилки до упора.

3. Открутите болт против часовой стрелки торцевым ключом на 17.

► **Рис.45:** 1. Лезвие газонокосилки 2. Штифт
3. Торцевой ключ

4. Выкрутите болт, а затем снимите лезвие газонокосилки.

► **Рис.46:** 1. Опора лезвия 2. Лезвие газонокосилки
3. Болт 4. Выступ

ПРИМЕЧАНИЕ: Во время установки лезвия газонокосилки убедитесь в том, что выступы на опоре лезвия входят в отверстия на лезвии газонокосилки.

Установка лезвия газонокосилки

ОСТОРОЖНО: Осторожно установите лезвие газонокосилки. Лезвие имеет верхнюю и нижнюю сторону.

ОСТОРОЖНО: Надежно затяните болт по часовой стрелке, чтобы зафиксировать лезвие.

ОСТОРОЖНО: Убедитесь в том, что лезвие газонокосилки и все крепежные детали установлены правильно и надежно затянуты.

ОСТОРОЖНО: При замене лезвий всегда следуйте инструкциям, приведенным в этом руководстве.

ПРИМЕЧАНИЕ: После установки лезвий газонокосилки извлеките штифт из корпуса газонокосилки.

Установка лезвий газонокосилки выполняется в порядке, обратном процедуре снятия.

ПОИСК И УСТРАНЕНИЕ НЕИСПРАВНОСТЕЙ

Прежде чем обращаться по поводу ремонта, проведите осмотр самостоятельно. Если обнаружена неисправность, не указанная в руководстве, не пытайтесь разобрать инструмент. Обратитесь в один из авторизованных сервисных центров Makita, в которых для ремонта используются только оригинальные детали Makita.

Состояние неисправности	Возможная причина (неисправности)	Способ устранения
Газонокосилка не запускается.	Не вставлен блок аккумулятора.	Установите заряженный блок аккумулятора.
	Неисправен аккумулятор (пониженное напряжение)	Зарядите блок аккумулятора. Если перезарядка не помогает, замените блок аккумулятора.
После непродолжительного использования двигатель останавливается.	Низкий уровень заряда аккумулятора.	Зарядите блок аккумулятора. Если перезарядка не помогает, замените блок аккумулятора.
	Установлена слишком малая высота срезания.	Увеличьте высоту срезания.
	Засорение газонокосилки срезанной травой.	Удалите траву из газонокосилки.
Двигатель не достигает максимальной частоты вращения.	Неправильно установлен блок аккумулятора.	Вставьте блок аккумулятора, как описано в этом руководстве.
	Заряд аккумулятора падает.	Зарядите блок аккумулятора. Если перезарядка не помогает, замените блок аккумулятора.
	Привод работает неправильно.	Обратитесь в местный авторизованный центр для ремонта.
Лезвие газонокосилки не вращается: ⇒ немедленно выключите косилку!	Посторонний объект (например, ветка) застрял рядом с лезвием.	Удалите посторонний предмет.
	Привод работает неправильно.	Обратитесь в местный авторизованный центр для ремонта.
Сильная вибрация: ⇒ немедленно выключите косилку!	Лезвие разбалансировано, изношено слишком сильно или неравномерно.	Замените лезвие.

ДОПОЛНИТЕЛЬНЫЕ ПРИНАДЛЕЖНОСТИ

⚠ ВНИМАНИЕ: Эти принадлежности или насадки рекомендованы для использования с машиной Makita, указанной в этом руководстве. Использование других принадлежностей или насадок может привести к травме. Используйте принадлежность или насадку только по назначению.

Если вам необходимо содействие в получении дополнительной информации по этим принадлежностям, свяжитесь с вашим сервис-центром Makita.

- Лезвие газонокосилки
- Оригинальный аккумулятор и зарядное устройство Makita

ПРИМЕЧАНИЕ: Некоторые элементы из списка могут входить в комплект машины в качестве стандартных принадлежностей. Они могут различаться в зависимости от страны.

© KOMFORT

© KOMFORT

© KOMFORT



Makita Europe N.V. Jan-Baptist Vinkstraat 2,
3070 Kortenberg, Belgium

Makita Corporation 3-11-8, Sumiyoshi-cho,
Anjo, Aichi 446-8502 Japan

www.makita.com

885993-985 EN, SV, NO, FI, DA, LV, LT, ET, RU 20220822
