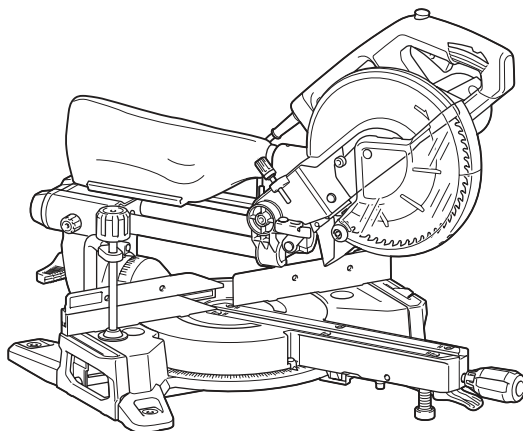




EN	Slide Compound Miter Saw	INSTRUCTION MANUAL	13
SV	Skjutbar kap- och geringskombinationssåg	BRUKSANVISNING	27
NO	Skyvbar gjæringsssag for kombinasjonssaging	BRUKSANVISNING	41
FI	Katkaisu- ja jiirisaha	KÄYTTÖOHJE	55
DA	Kombineret afkorter-geringssav	BRUGSANVISNING	69
LV	Slīdrāmja kombinētais lenķzāģis	LIETOŠANAS INSTRUKCIJA	83
LT	Kombinuotas nuleidžiamas skersavimo ir kampų suleidimo pjūklas	NAUDOJIMO INSTRUKCIJA	98
ET	Liuglõike eeringisaag	KASUTUSJUHEND	113
RU	Торцовочная пила консольного типа	РУКОВОДСТВО ПО ЭКСПЛУАТАЦИИ	127

LS0816F



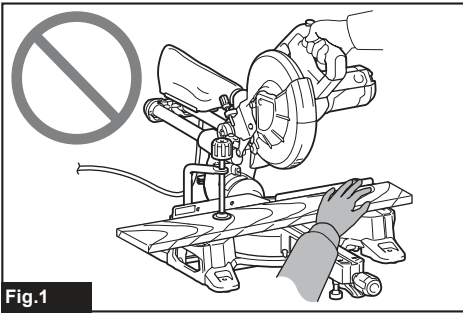


Fig.1

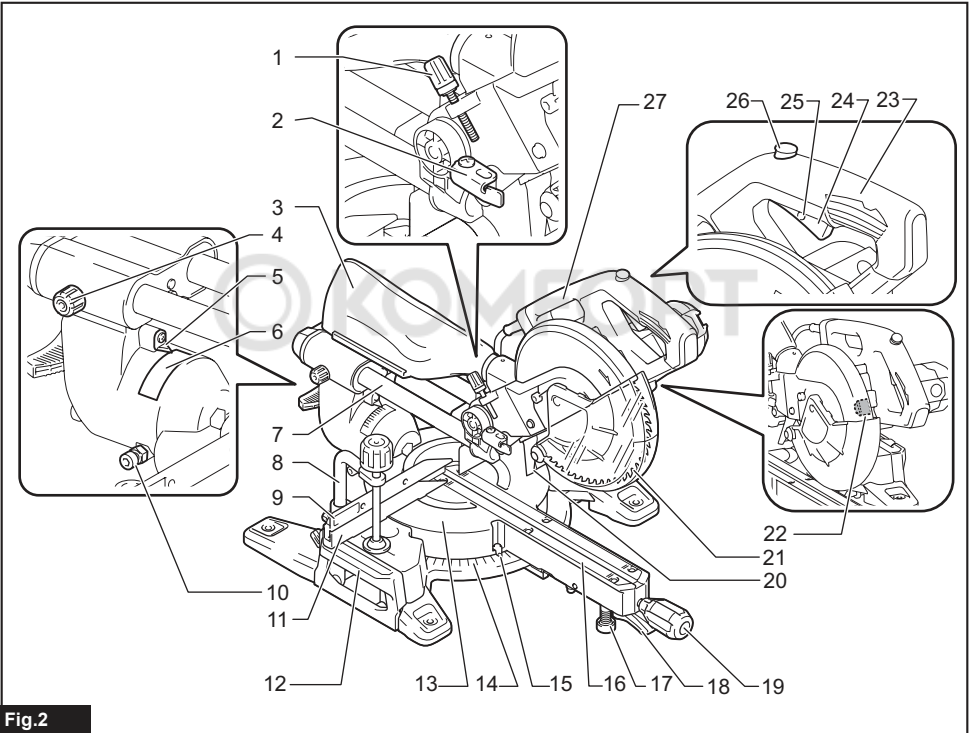


Fig.2

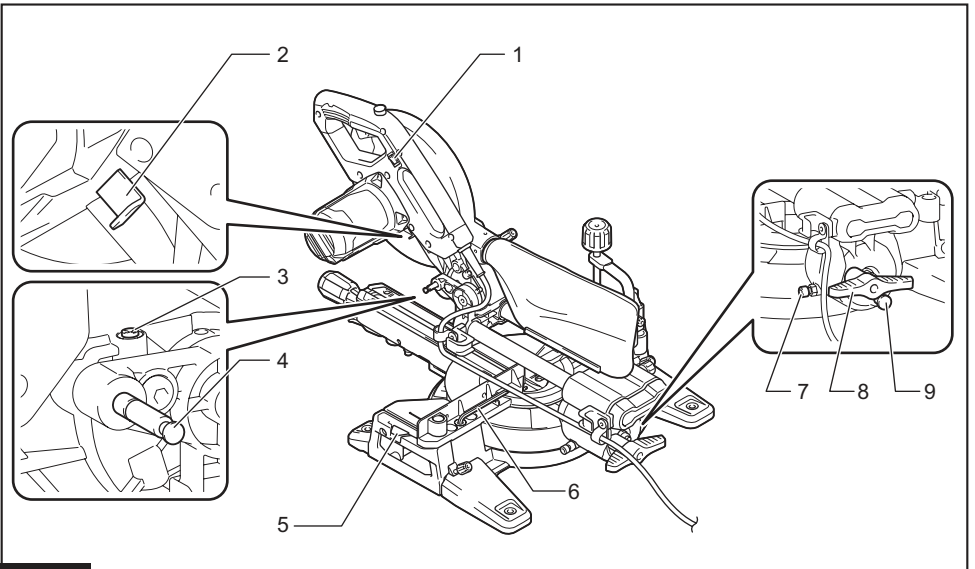


Fig. 3

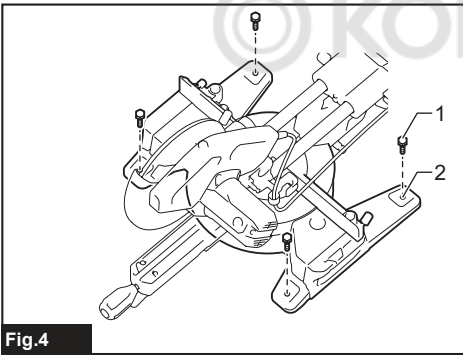


Fig. 4

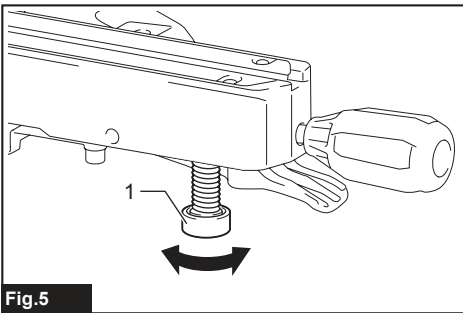


Fig. 5

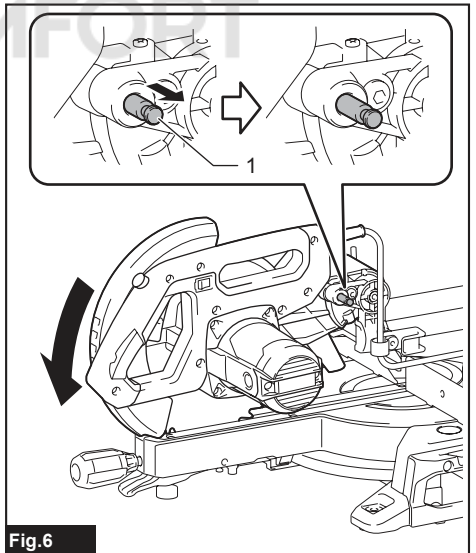


Fig. 6

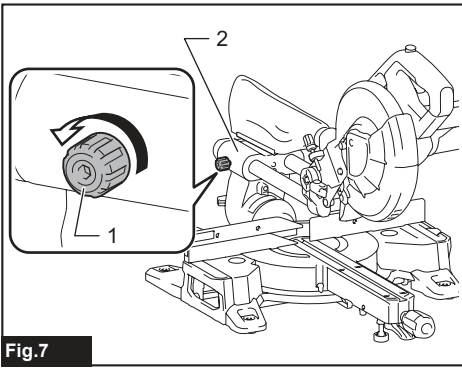


Fig.7

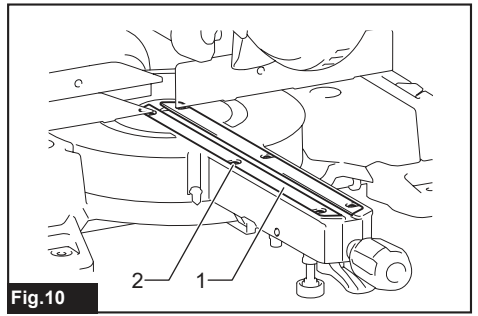


Fig.10

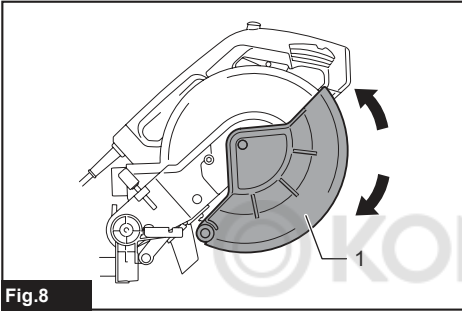


Fig.8

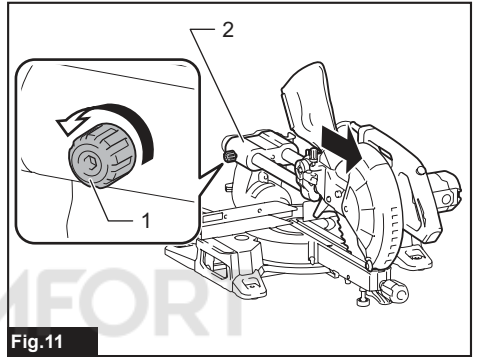


Fig.11

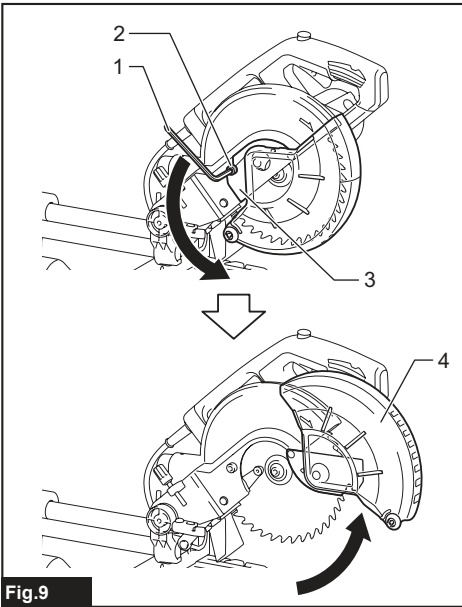


Fig.9

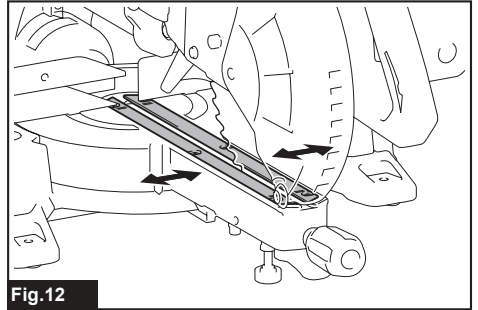


Fig.12

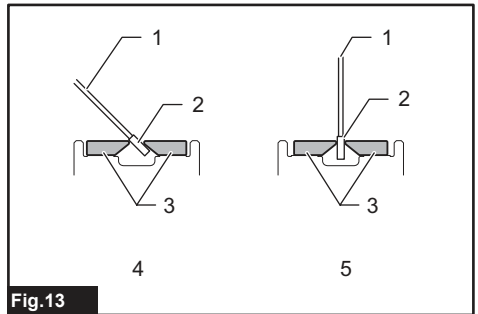


Fig.13

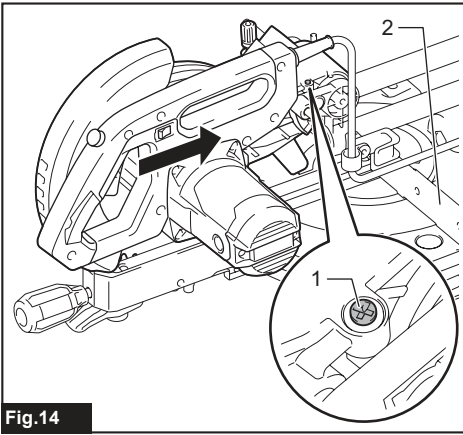


Fig. 14

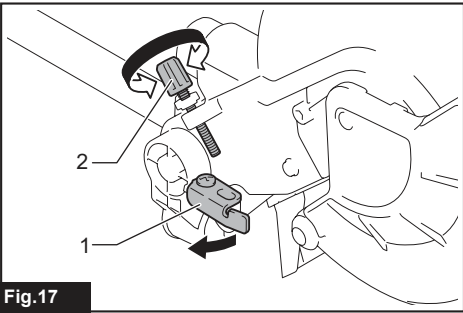


Fig. 17

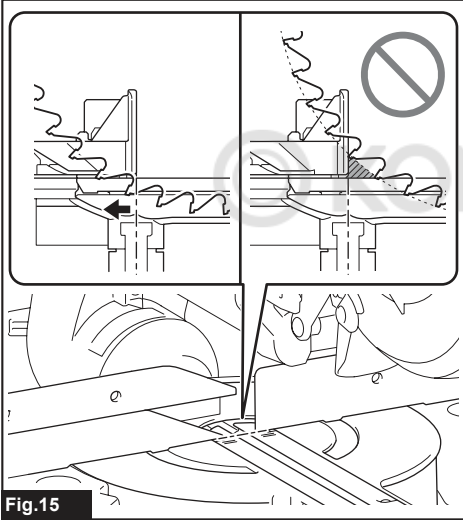


Fig. 15

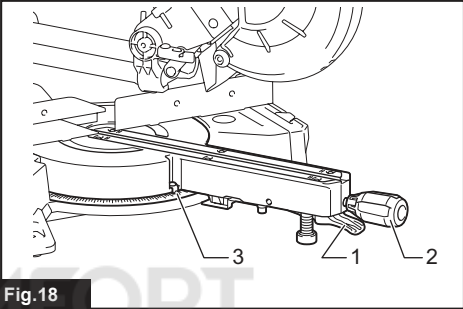


Fig. 18

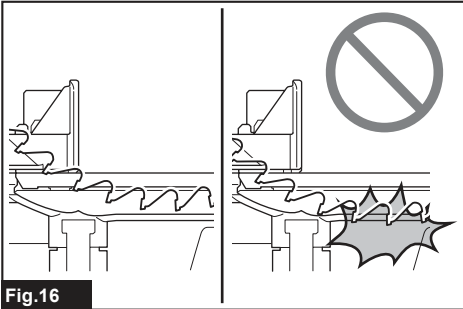


Fig. 16

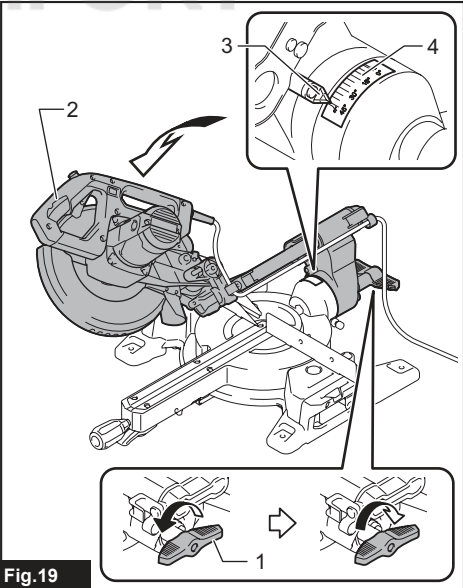
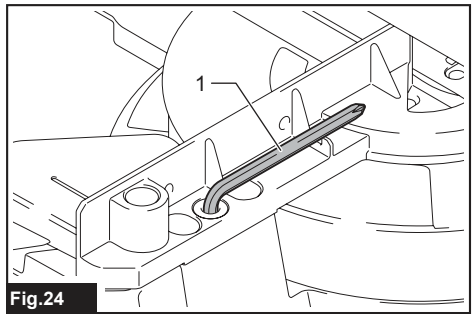
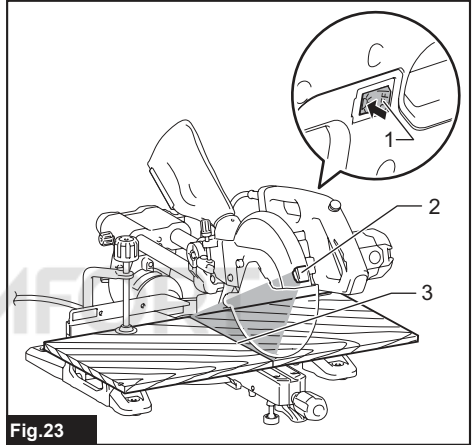
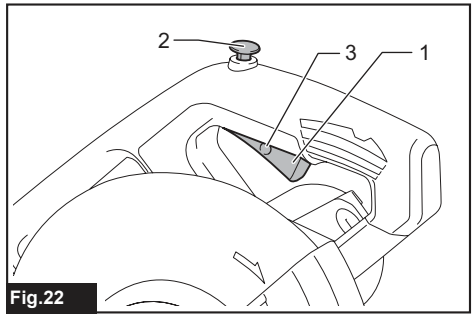
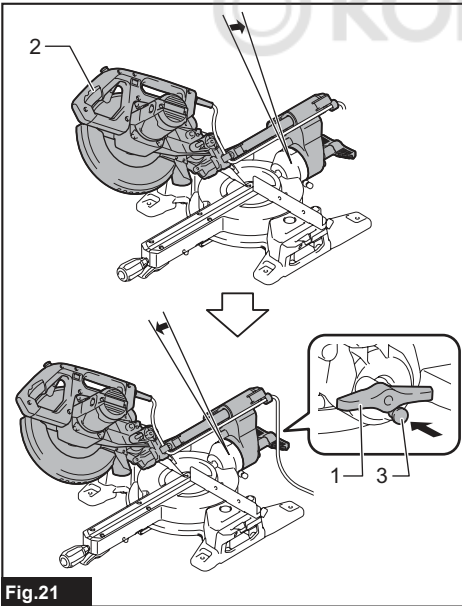
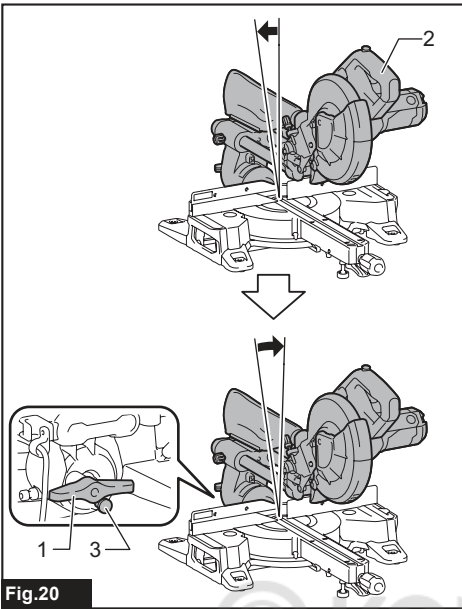


Fig. 19



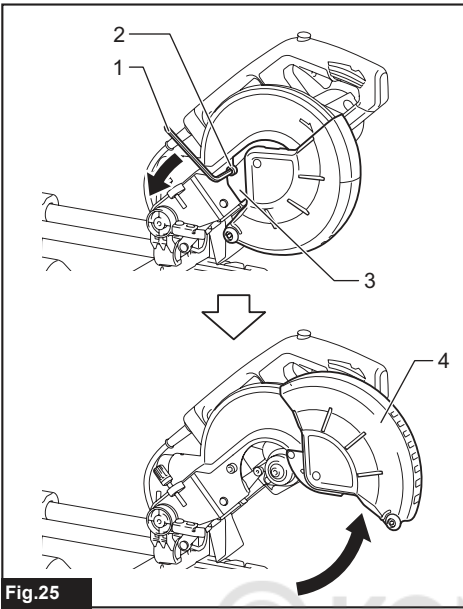


Fig. 25

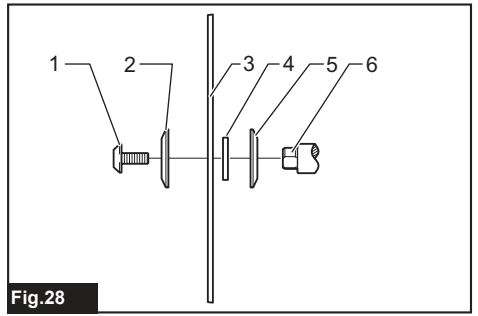


Fig. 28

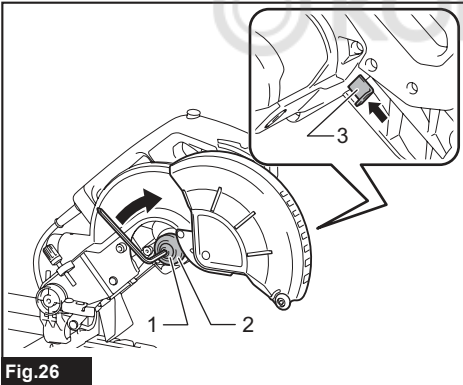


Fig. 26

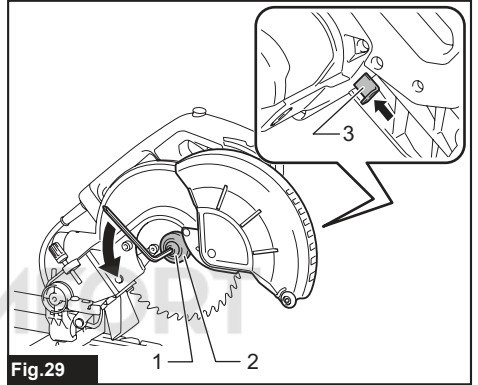


Fig. 29

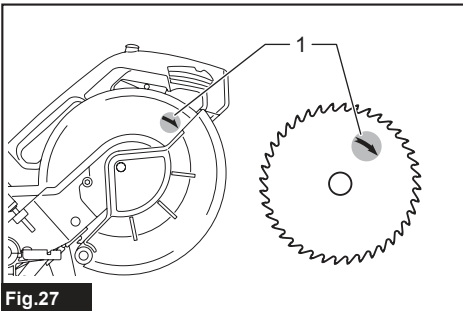


Fig. 27

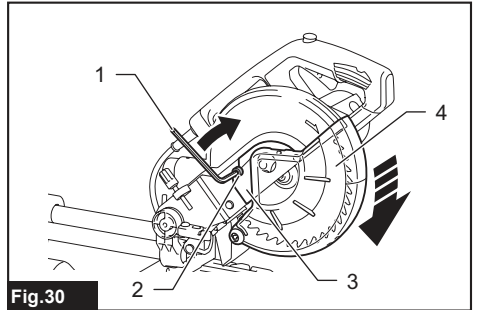


Fig. 30

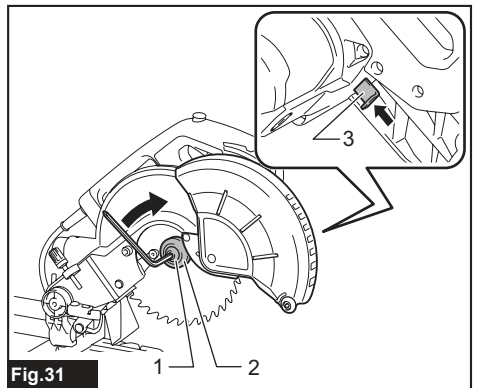


Fig. 31

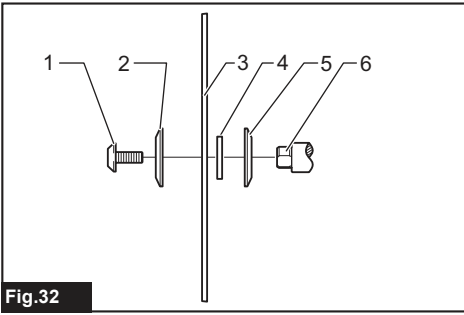


Fig.32

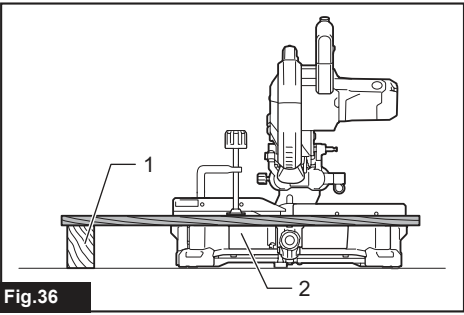


Fig.36

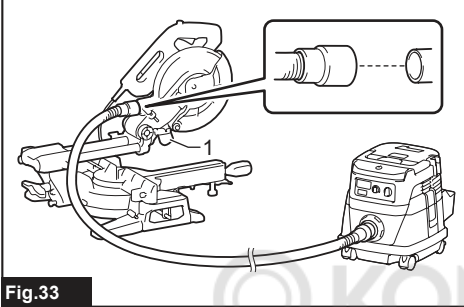


Fig.33

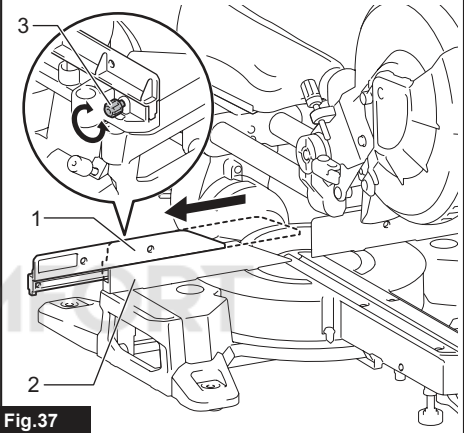


Fig.37

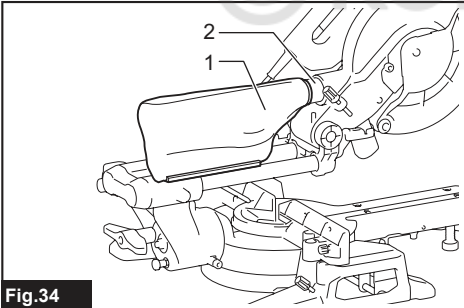


Fig.34

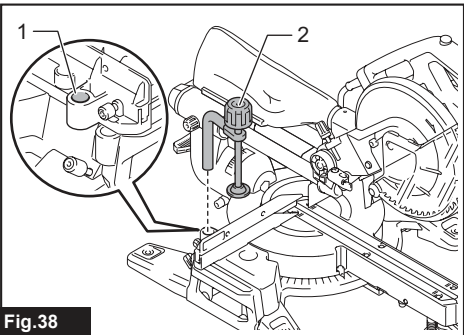


Fig.38

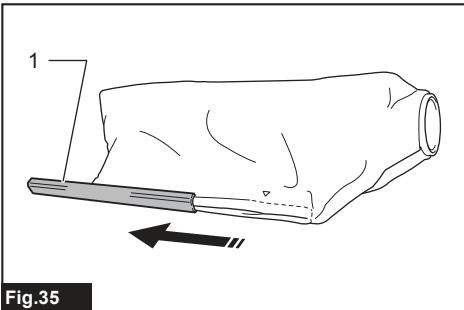


Fig.35

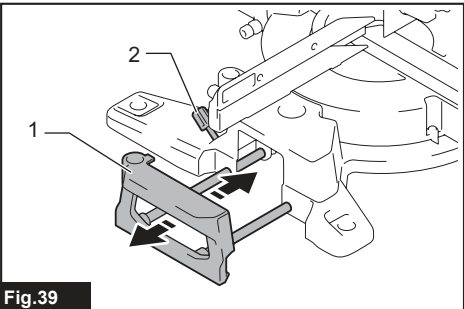


Fig.39

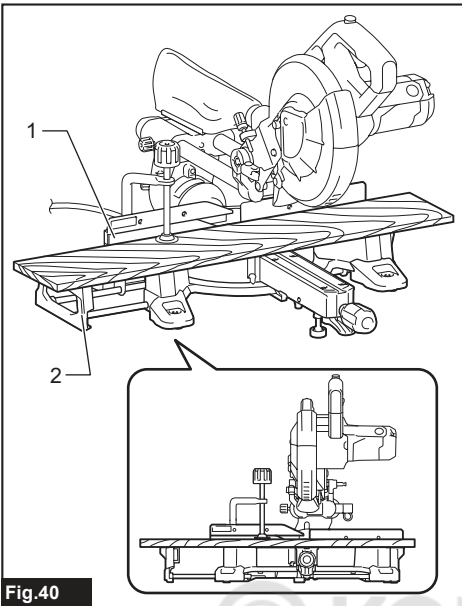


Fig.40

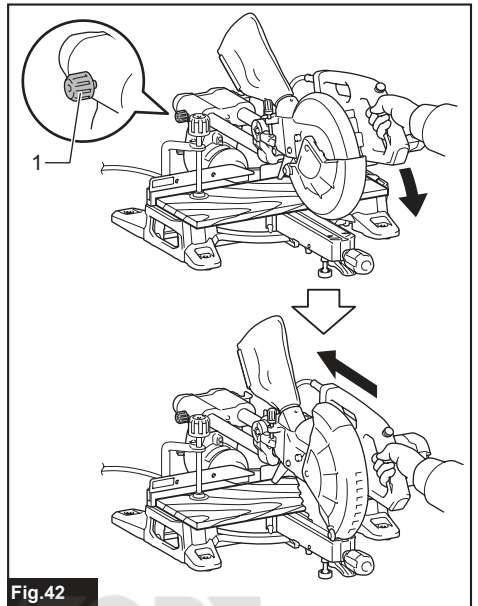


Fig.42

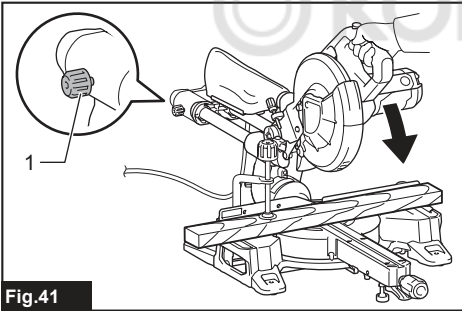


Fig.41

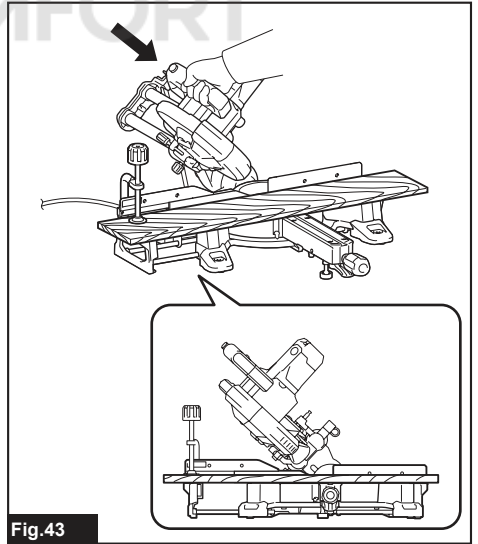


Fig.43

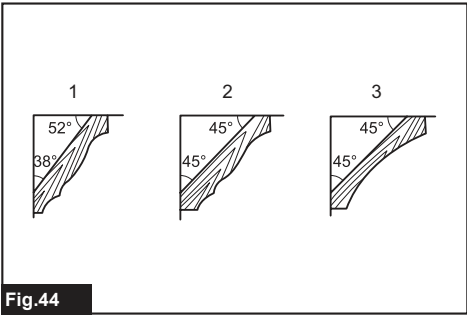


Fig.44

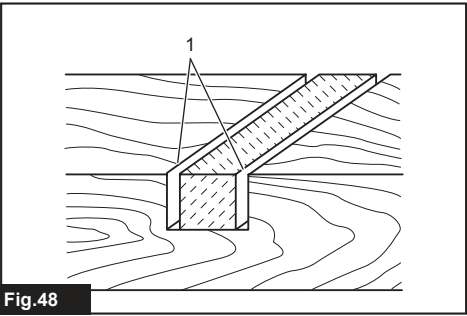


Fig.48

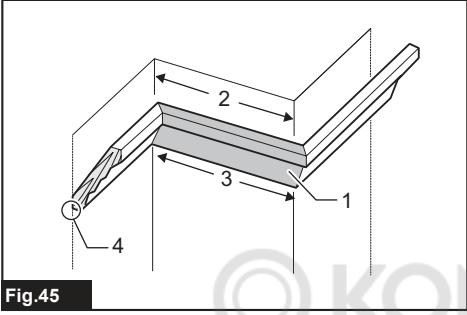


Fig.45

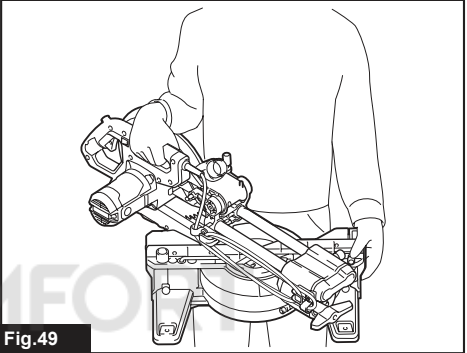


Fig.49

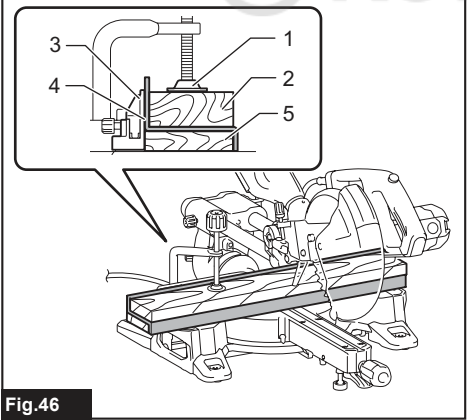


Fig.46

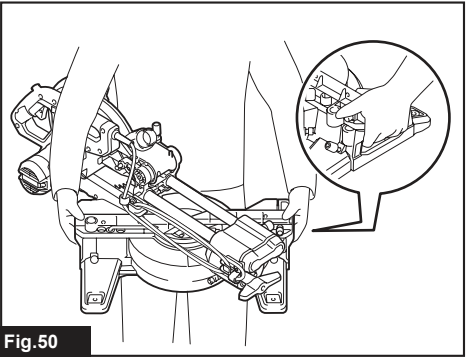


Fig.50

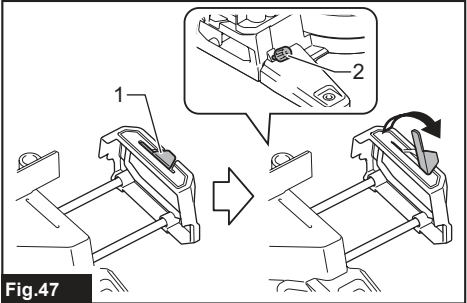


Fig.47

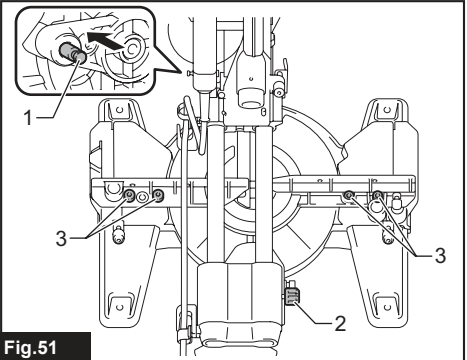


Fig.51

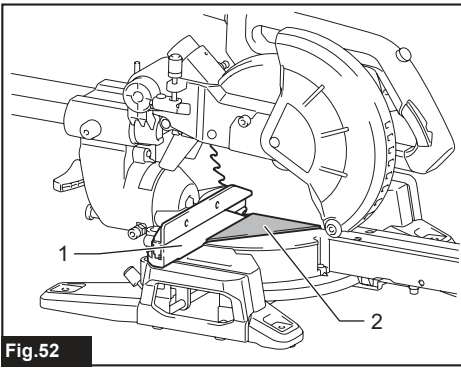


Fig. 52

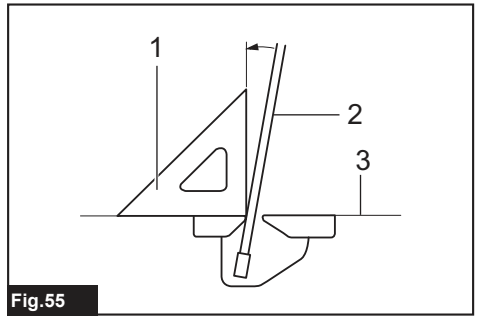


Fig. 55

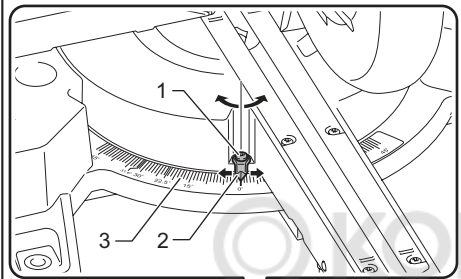


Fig. 53

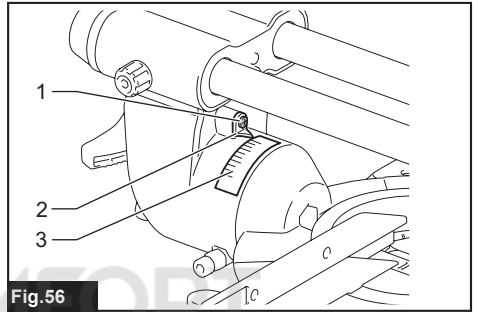


Fig. 56

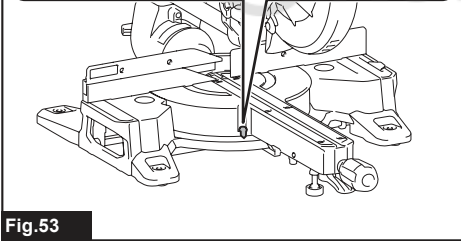


Fig. 54

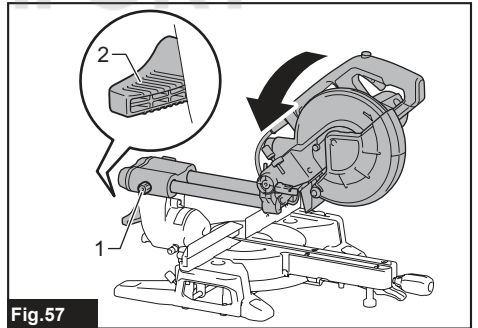


Fig. 57

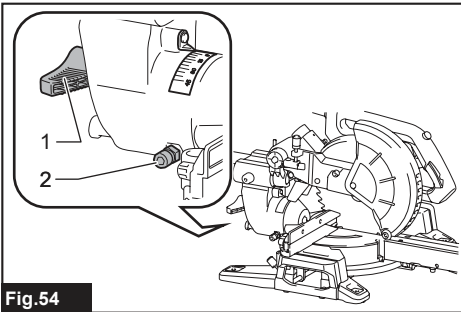
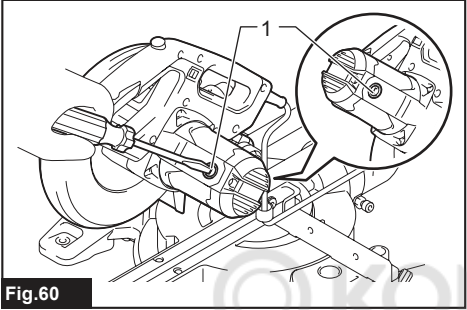
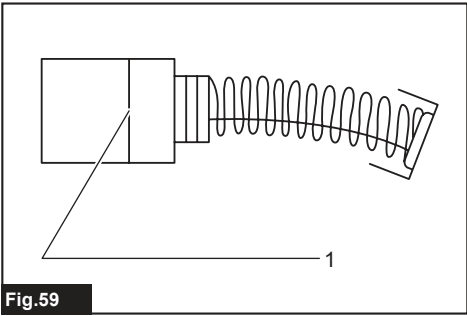


Fig. 58



© KOMFORT

SPECIFICATIONS

Model:		LS0816F
Blade diameter		216 mm
Hole diameter	European countries	30 mm
	Countries other than Europe	25,4 mm or 30 mm (country specific)
Max. kerf thickness of the saw blade		2,8 mm
Max. miter angle		Left 47°, Right 47°
Max. bevel angle		Left 47°, Right 2°
No load speed (RPM)		5,000 min ⁻¹
Dimensions (L x W x H)		476 mm x 705 mm x 521 mm
Net weight		13,9 kg
Safety class		□/II









- Due to our continuing program of research and development, the specifications herein are subject to change without notice.
- Specifications may differ from country to country.
- Weight according to EPTA-Procedure 01/2014

Cutting capacities (H x W) with ø 216 mm saw blade

Miter angle	Bevel angle		
	45° (left)	0°	2° (right)
0°	36 mm x 305 mm	65 mm x 305 mm	60 mm x 305 mm
45° (left and right)	36 mm x 215 mm	65 mm x 215 mm	-

Symbols

The followings show the symbols which may be used for the equipment. Be sure that you understand their meaning before use.

	Read instruction manual.
	DOUBLE INSULATION
	Wear safety glasses.
	To avoid injury from flying debris, keep holding the saw head down, after making cuts, until the saw blade has come to a complete stop.
	When performing slide cut, first pull carriage fully and press down handle, then push carriage toward the guide fence.
	Do not place hand or fingers close to the saw blade.
	Adjust sliding fences clear of saw blade and blade guard properly.
	Do not stare at operating lamp.



Only for EU countries
Due to the presence of hazardous components in the equipment, used electrical and electronic equipment may have a negative impact on the environment and human health.
Do not dispose of electrical and electronic appliances with household waste!
In accordance with the European Directive on waste electrical and electronic equipment and its adaptation to national law, used electrical and electronic equipment should be collected separately and delivered to a separate collection point for municipal waste, operating in accordance with the environmental protection regulations.
This is indicated by the symbol of the crossed-out wheeled bin placed on the equipment.

Intended use

The tool is intended for accurate straight and miter cutting in wood. With appropriate saw blades, aluminum can also be sawed. For details, according to the section for OPERATION.

Power supply

The tool should be connected only to a power supply of the same voltage as indicated on the nameplate, and can only be operated on single-phase AC supply. They are double-insulated and can, therefore, also be used from sockets without earth wire.

Noise

The typical A-weighted noise level determined according to EN62841-3-9:

Sound pressure level (L_{pA}): 91 dB (A)

Sound power level (L_{WA}): 102 dB (A)

Uncertainty (K): 3 dB (A)

NOTE: The declared noise emission value(s) has been measured in accordance with a standard test method and may be used for comparing one tool with another.

NOTE: The declared noise emission value(s) may also be used in a preliminary assessment of exposure.

⚠ WARNING: Wear ear protection.

⚠ WARNING: The noise emission during actual use of the power tool can differ from the declared value(s) depending on the ways in which the tool is used especially what kind of workpiece is processed.

⚠ WARNING: Be sure to identify safety measures to protect the operator that are based on an estimation of exposure in the actual conditions of use (taking account of all parts of the operating cycle such as the times when the tool is switched off and when it is running idle in addition to the trigger time).

Declarations of Conformity

For European countries only

The Declarations of conformity are included in Annex A to this instruction manual.

SAFETY WARNINGS

General power tool safety warnings

⚠ WARNING Read all safety warnings, instructions, illustrations and specifications provided with this power tool. Failure to follow all instructions listed below may result in electric shock, fire and/or serious injury.

Save all warnings and instructions for future reference.

The term "power tool" in the warnings refers to your mains-operated (corded) power tool or battery-operated (cordless) power tool.

Work area safety

1. **Keep work area clean and well lit.** Cluttered or dark areas invite accidents.
2. **Do not operate power tools in explosive atmospheres, such as in the presence of flammable liquids, gases or dust.** Power tools create sparks which may ignite the dust or fumes.
3. **Keep children and bystanders away while operating a power tool.** Distractions can cause you to lose control.

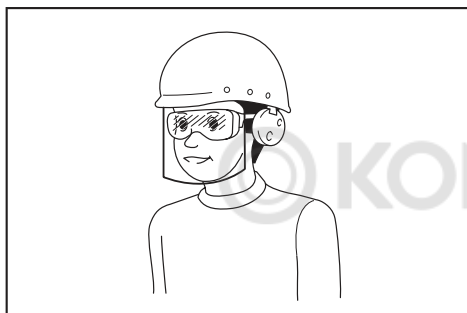
Electrical safety

1. **Power tool plugs must match the outlet. Never modify the plug in any way. Do not use any adapter plugs with earthed (grounded) power tools.** Unmodified plugs and matching outlets will reduce risk of electric shock.
2. **Avoid body contact with earthed or grounded surfaces, such as pipes, radiators, ranges and refrigerators.** There is an increased risk of electric shock if your body is earthed or grounded.
3. **Do not expose power tools to rain or wet conditions.** Water entering a power tool will increase the risk of electric shock.
4. **Do not abuse the cord. Never use the cord for carrying, pulling or unplugging the power tool. Keep cord away from heat, oil, sharp edges or moving parts.** Damaged or entangled cords increase the risk of electric shock.
5. **When operating a power tool outdoors, use an extension cord suitable for outdoor use.** Use of a cord suitable for outdoor use reduces the risk of electric shock.
6. **If operating a power tool in a damp location is unavoidable, use a residual current device (RCD) protected supply.** Use of an RCD reduces the risk of electric shock.
7. **Use of power supply via an RCD with a rated residual current of 30 mA or less is always recommended.**
8. **Power tools can produce electromagnetic fields (EMF) that are not harmful to the user.** However, users of pacemakers and other similar medical devices should contact the maker of their device and/or doctor for advice before operating this power tool.
9. **Do not touch the power plug with wet hands.**
10. **If the cord is damaged, have it replaced by the manufacturer or his agent in order to avoid a safety hazard.**

Personal safety

1. **Stay alert, watch what you are doing and use common sense when operating a power tool. Do not use a power tool while you are tired or under the influence of drugs, alcohol or medication.** A moment of inattention while operating power tools may result in serious personal injury.
2. **Use personal protective equipment. Always wear eye protection.** Protective equipment such as a dust mask, non-skid safety shoes, hard hat or hearing protection used for appropriate conditions will reduce personal injuries.
3. **Prevent unintentional starting. Ensure the switch is in the off-position before connecting to power source and/or battery pack, picking up or carrying the tool.** Carrying power tools with your finger on the switch or energising power tools that have the switch on invites accidents.
4. **Remove any adjusting key or wrench before turning the power tool on.** A wrench or a key left attached to a rotating part of the power tool may result in personal injury.
5. **Do not overreach. Keep proper footing and balance at all times.** This enables better control of the power tool in unexpected situations.

6. **Dress properly. Do not wear loose clothing or jewellery. Keep your hair and clothing away from moving parts.** Loose clothes, jewellery or long hair can be caught in moving parts.
7. **If devices are provided for the connection of dust extraction and collection facilities, ensure these are connected and properly used.** Use of dust collection can reduce dust-related hazards.
8. **Do not let familiarity gained from frequent use of tools allow you to become complacent and ignore tool safety principles.** A careless action can cause severe injury within a fraction of a second.
9. **Always wear protective goggles to protect your eyes from injury when using power tools. The goggles must comply with ANSI Z87.1 in the USA, EN 166 in Europe, or AS/NZS 1336 in Australia/New Zealand. In Australia/New Zealand, it is legally required to wear a face shield to protect your face, too.**



It is an employer's responsibility to enforce the use of appropriate safety protective equipments by the tool operators and by other persons in the immediate working area.

Power tool use and care

1. **Do not force the power tool. Use the correct power tool for your application.** The correct power tool will do the job better and safer at the rate for which it was designed.
2. **Do not use the power tool if the switch does not turn it on and off.** Any power tool that cannot be controlled with the switch is dangerous and must be repaired.
3. **Disconnect the plug from the power source and/or remove the battery pack, if detachable, from the power tool before making any adjustments, changing accessories, or storing power tools.** Such preventive safety measures reduce the risk of starting the power tool accidentally.
4. **Store idle power tools out of the reach of children and do not allow persons unfamiliar with the power tool or these instructions to operate the power tool.** Power tools are dangerous in the hands of untrained users.
5. **Maintain power tools and accessories. Check for misalignment or binding of moving parts, breakage of parts and any other condition that may affect the power tool's operation. If damaged, have the power tool repaired before use.** Many accidents are caused by poorly maintained power tools.

Service

1. **Have your power tool serviced by a qualified repair person using only identical replacement parts.** This will ensure that the safety of the power tool is maintained.
2. **Follow instruction for lubricating and changing accessories.**

Safety instructions for mitre saws

1. **Mitre saws are intended to cut wood or wood-like products, they cannot be used with abrasive cut-off wheels for cutting ferrous material such as bars, rods, studs, etc.** Abrasive dust causes moving parts such as the lower guard to jam. Sparks from abrasive cutting will burn the lower guard, the kerf insert and other plastic parts.
2. **Use clamps to support the workpiece whenever possible. If supporting the workpiece by hand, you must always keep your hand at least 100 mm from either side of the saw blade. Do not use this saw to cut pieces that are too small to be securely clamped or held by hand.** If your hand is placed too close to the saw blade, there is an increased risk of injury from blade contact.
3. **The workpiece must be stationary and clamped or held against both the fence and the table. Do not feed the workpiece into the blade or cut "freehand" in any way.** Unrestrained or moving workpieces could be thrown at high speeds, causing injury.
4. **Push the saw through the workpiece. Do not pull the saw through the workpiece. To make a cut, raise the saw head and pull it out over the workpiece without cutting, start the motor, press the saw head down and push the saw through the workpiece.** Cutting on the pull stroke is likely to cause the saw blade to climb on top of the workpiece and violently throw the blade assembly towards the operator.
5. **Never cross your hand over the intended line of cutting either in front or behind the saw blade.** Supporting the workpiece "cross handed" i.e. holding the workpiece to the right of the saw blade with your left hand or vice versa is very dangerous.

► Fig.1

6. **Do not reach behind the fence with either hand closer than 100 mm from either side of the saw blade, to remove wood scraps, or for any other reason while the blade is spinning.** The proximity of the spinning saw blade to your hand may not be obvious and you may be seriously injured.
 7. **Inspect your workpiece before cutting. If the workpiece is bowed or warped, clamp it with the outside bowed face toward the fence. Always make certain that there is no gap between the workpiece, fence and table along the line of the cut.** Bent or warped workpieces can twist or shift and may cause binding on the spinning saw blade while cutting. There should be no nails or foreign objects in the workpiece.
 8. **Do not use the saw until the table is clear of all tools, wood scraps, etc., except for the workpiece.** Small debris or loose pieces of wood or other objects that contact the revolving blade can be thrown with high speed.
 9. **Cut only one workpiece at a time.** Stacked multiple workpieces cannot be adequately clamped or braced and may bind on the blade or shift during cutting.
 10. **Ensure the mitre saw is mounted or placed on a level, firm work surface before use.** A level and firm work surface reduces the risk of the mitre saw becoming unstable.
 11. **Plan your work. Every time you change the bevel or mitre angle setting, make sure the adjustable fence is set correctly to support the workpiece and will not interfere with the blade or the guarding system.** Without turning the tool "ON" and with no workpiece on the table, move the saw blade through a complete simulated cut to assure there will be no interference or danger of cutting the fence.
 12. **Provide adequate support such as table extensions, saw horses, etc. for a workpiece that is wider or longer than the table top.** Workpieces longer or wider than the mitre saw table can tip if not securely supported. If the cut-off piece or workpiece tips, it can lift the lower guard or be thrown by the spinning blade.
 13. **Do not use another person as a substitute for a table extension or as additional support.** Unstable support for the workpiece can cause the blade to bind or the workpiece to shift during the cutting operation pulling you and the helper into the spinning blade.
 14. **The cut-off piece must not be jammed or pressed by any means against the spinning saw blade.** If confined, i.e. using length stops, the cut-off piece could get wedged against the blade and thrown violently.
 15. **Always use a clamp or a fixture designed to properly support round material such as rods or tubing.** Rods have a tendency to roll while being cut, causing the blade to "bite" and pull the work with your hand into the blade.
 16. **Let the blade reach full speed before contacting the workpiece.** This will reduce the risk of the workpiece being thrown.
 17. **If the workpiece or blade becomes jammed, turn the mitre saw off. Wait for all moving parts to stop and disconnect the plug from the power source and/or remove the battery pack. Then work to free the jammed material.** Continued sawing with a jammed workpiece could cause loss of control or damage to the mitre saw.
 18. **After finishing the cut, release the switch, hold the saw head down and wait for the blade to stop before removing the cut-off piece.** Reaching with your hand near the coasting blade is dangerous.
 19. **Only use the saw blade with the diameter that is marked on the tool or specified in the manual.** Use of an incorrectly sized saw blade may affect the proper guarding of the saw blade or guard operation which could result in serious personal injury.
 20. **Only use the saw blades that are marked with a speed equal or higher than the speed marked on the tool.**
 21. **Do not use the saw to cut materials other than specified.**
 22. **(For European countries only) Always use the blade which conforms to EN847-1, if intended for wood and analogous materials.**
- Additional instructions**
1. **Make workshop kid proof with padlocks.**
 2. **Never stand on the tool.** Serious injury could occur if the tool is tipped or if the cutting tool is unintentionally contacted.
 3. **Never leave the tool running unattended. Turn the power off. Do not leave tool until it comes to a complete stop.**
 4. **Do not operate saw without guards in place. Check blade guard for proper closing before each use. Do not operate saw if blade guard does not move freely and close instantly. Never clamp or tie the blade guard into the open position.**
 5. **Keep hands out of path of saw blade. Avoid contact with any coasting saw blade. It can still cause severe injury.**
 6. **To reduce the risk of injury, return carriage to the full rear position after each crosscut operation.**
 7. **Always secure all moving portions before carrying the tool.**
 8. **Stopper pin or stopper lever which locks the saw head down is for carrying and storage purposes only and not for any cutting operations.**
 9. **Check the saw blade carefully for cracks or damage before operation. Replace cracked or damaged saw blade immediately. Gum and wood pitch hardened on saw blades slows saw and increases potential for kickback. Keep saw blade clean by first removing it from tool, then cleaning it with gum and pitch remover, hot water or kerosene. Never use gasoline to clean saw blade.**
 10. **While making a slide cut, KICKBACK can occur. KICKBACK occurs when the saw blade binds in the workpiece during a cutting operation and the saw blade is driven rapidly towards the operator. Loss of control and serious personal injury can result. If saw blade begins to bind during a cutting operation, do not continue to cut and release switch immediately.**

11. Use only flanges specified for this tool.
12. Be careful not to damage the arbor, flanges (especially the installing surface) or bolt. Damage to these parts could result in saw blade breakage.
13. Make sure that the turn base is properly secured so it will not move during operation. Use the holes in the base to fasten the saw to a stable work platform or bench. NEVER use tool where operator positioning would be awkward.
14. Make sure the shaft lock is released before the switch is turned on.
15. Be sure that the saw blade does not contact the turn base in the lowest position.
16. Hold the handle firmly. Be aware that the saw moves up or down slightly during start-up and stopping.
17. Make sure the saw blade is not contacting the workpiece before the switch is turned on.
18. Before using the tool on an actual workpiece, let it run for a while. Watch for vibration or wobbling that could indicate poor installation or a poorly balanced saw blade.
19. Stop operation immediately if you notice anything abnormal.
20. Do not attempt to lock the trigger in the "ON" position.
21. Always use accessories recommended in this manual. Use of improper accessories such as abrasive wheels may cause an injury.
22. Some material contains chemicals which may be toxic. Take caution to prevent dust inhalation and skin contact. Follow material supplier safety data.

Additional safety rules for operating lamp

1. Do not look in the light or see the source of light directly.

SAVE THESE INSTRUCTIONS.

⚠WARNING: DO NOT let comfort or familiarity with product (gained from repeated use) replace strict adherence to safety rules for the subject product. MISUSE or failure to follow the safety rules stated in this instruction manual may cause serious personal injury.

PARTS DESCRIPTION

► Fig.2

1	Adjusting screw (for lower limit position)	2	Stopper arm	3	Dust bag	4	Thumb screw (for carriage sliding)
5	Pointer (for bevel angle)	6	Bevel angle scale	7	Slide pole	8	Vertical vise
9	Sliding fence	10	0° adjusting bolt (for bevel angle)	11	Guide fence	12	Sub base
13	Turn base	14	Miter angle scale	15	Pointer (for miter angle)	16	Kerf board
17	Adjusting bolt (for turn base)	18	Lock lever (for turn base)	19	Grip (for turn base)	20	Dust collecting guard
21	Blade guard	22	Lamp	23	Handle (for operation)	24	Switch trigger
25	Hole for padlock	26	Lock-off button	27	Carry handle	-	-

► Fig.3

1	Lamp switch	2	Shaft lock	3	Adjusting bolt (for maximum cutting capacity)	4	Stopper pin (for carriage elevation)
5	Set plate	6	Hex wrench	7	45° adjusting bolt (for bevel angle)	8	Lever (for bevel angle)
9	Releasing button (for bevel angle)	-	-	-	-	-	-

INSTALLATION

Bench mounting

⚠WARNING: Ensure that the tool does not move on the supporting surface. Movement of the miter saw on the supporting surface while cutting may result in loss of control and serious personal injury.

1. Fix the base to a level and stable surface, screwing with the bolts. This helps to prevent from tipping and possible injury.

► Fig.4: 1. Bolt 2. Mounting hole

2. Turn the adjusting bolt clockwise or counterclockwise so that it comes into a contact with the floor surface to keep the tool stable.

► Fig.5: 1. Adjusting bolt

FUNCTIONAL DESCRIPTION

⚠ WARNING: Always be sure that the tool is switched off and unplugged before adjusting or checking function on the tool. Failure to switch off and unplug the tool may result in serious personal injury from accidental start-up.

Handle lock

⚠ CAUTION: Always hold the handle when releasing the stopper pin. Otherwise the handle springs up and it may result in personal injury.

When the tool is shipped, the handle is locked in the lowered position with the stopper pin. To unlock the handle, pull the stopper pin while lowering the handle slightly.

► **Fig.6:** 1. Stopper pin

Slide lock

To allow the sliding movement of the carriage, loosen thumb screw on the arm. To lock the sliding movement of the carriage, move the carriage to your desired position, and then tighten the thumb screw securely.

► **Fig.7:** 1. Thumb screw 2. Arm

Blade guard

⚠ WARNING: Never defeat or remove the blade guard or the spring which is attached to the guard. An exposed circular saw blade as a result of defeated guarding may result in serious personal injury during operation.

⚠ WARNING: Never use the tool if the blade guard or spring is damaged, faulty or removed. Operation of the tool with a damaged, faulty or removed guard may result in serious personal injury.

⚠ CAUTION: Always maintain the blade guard in good condition for safe operation. Stop the operation immediately if there are any irregularity of the blade guard. Check to assure spring loaded return action of guard.

When lowering the handle, the blade guard raises automatically. The guard is spring loaded so it returns to its original position when the cut is completed and the handle is raised.

► **Fig.8:** 1. Blade guard

Cleaning

If the transparent blade guard becomes dirty, or sawdust adheres to the transparent blade guard in such a way that the circular saw blade and/or workpiece is no longer easily visible, unplug the tool and clean the guard carefully with a damp cloth. Do not use solvents or any petroleum-based cleaners on the plastic guard because this may cause damage to the guard. Follow the step-by-step instructions listed on how to prepare for cleaning.

1. Make sure that the tool is switched off and unplugged.
2. Turn the hex socket bolt counterclockwise using the supplied hex wrench with holding the center cover.
3. Raise the blade guard and center cover.
4. When cleaning is complete, return the center cover and tighten the hex socket bolt by performing the steps above in reverse.

► **Fig.9:** 1. Hex wrench 2. Hex socket bolt 3. Center cover 4. Blade guard

⚠ WARNING: Do not remove spring holding blade guard. If guard becomes damaged in course of time or UV light exposure, contact a Makita service center for replacement. **DO NOT DEFEAT OR REMOVE GUARD.**

Positioning kerf boards

This tool is provided with the kerf boards in the turn base to minimize tearing on the exit side of a cut. The kerf boards are factory adjusted so that the circular saw blade does not contact the kerf boards. Before use, adjust the kerf boards as follows:

1. Make sure that the tool is unplugged. Then, loosen all the screws (three each on left and right) securing the kerf boards.
2. Re-tighten them only to the extent that the kerf boards can still be easily moved by hand.
3. Lower the handle fully, then lock the handle in the lowered position with the stopper pin.
4. Loosen thumb screw on the arm which secures the sliding movement of the carriage.

Pull the carriage toward you fully.

► **Fig.11:** 1. Thumb screw 2. Arm

5. Adjust the kerf boards so that they are close to the sides of the saw blade teeth.

► **Fig.12**

► **Fig.13:** 1. Circular saw blade 2. Blade teeth 3. Kerf board 4. Left bevel cut 5. Straight cut

6. Tighten the front screws (do not tighten firmly).
7. Slide the carriage to the position between the front end of the kerf boards and guide fences. Adjust the kerf boards so that they are close to the sides of the saw blade teeth.
8. Tighten the center screws (do not tighten firmly).
9. Push the carriage toward the guide fences fully and then adjust the kerf boards so that they are close to the sides of the saw blade teeth.

10. Tighten the rear screws (do not tighten firmly).
11. Release the stopper pin for handle lock and raise the handle. Then tighten all the screws securely.

NOTICE: After setting the bevel angle, ensure that the kerf boards are adjusted properly. Correct adjustment of the kerf boards helps to provide proper support of the workpiece and minimizing workpiece tear out.

Maintaining maximum cutting capacity

This tool is factory adjusted to provide the maximum cutting capacity for a 216 mm circular saw blade. When installing a new circular saw blade, always check the lower limit position of the circular saw blade, and if necessary, adjust it as follows:

1. Unplug the tool. Then, push the carriage toward the guide fence fully and lower the handle completely.
2. Use the hex wrench (screwdriver side) to turn the adjusting bolt until the circular saw blade comes slightly below the cross section of the guide fence and the top surface of the turn base.

► Fig.14: 1. Adjusting bolt 2. Guide fence

► Fig.15

3. Rotate the circular saw blade by hand while holding the handle all the way down to be sure that the circular saw blade does not contact any part of the lower base. Re-adjust the maximum cutting capacity, if necessary.

⚠WARNING: After installing a new circular saw blade and with the tool is unplugged, always be sure that the circular saw blade does not contact any part of the lower base when the handle is lowered completely. If the circular saw blade contacts with the base, it may cause kickback and result in serious personal injury.

► Fig.16

Stopper arm

The lower limit position of the saw blade can be easily adjusted with the stopper arm. To adjust the lower limit, turn the stopper arm in the direction of the arrow as shown in the figure. Turn the adjusting screw so that the saw blade stops at the desired position when lowering the handle fully.

► Fig.17: 1. Stopper arm 2. Adjusting screw

Adjusting the miter angle

⚠CAUTION: After changing the miter angle, always secure the turn base by tightening the grip firmly.

NOTICE: When turning the turn base, be sure to raise the handle fully.

Rotate the grip counterclockwise to unlock the turn base. Turn the grip while holding up the lock lever to move the turn base. Align the pointer with your desired angle in the miter angle scale then tighten the grip.

► Fig.18: 1. Lock lever 2. Grip 3. Pointer

Positive stop function

This miter saw employs positive stop function. You can set 0°, 15°, 22.5°, 31.6°, and 45° right/left miter angle quickly. To use this function, move the turn base close to your desired positive stop angle while holding up the lock lever. Then release the lock lever and move the turn base to your desired positive stop angle until the turn base is locked.

Adjusting the bevel angle

⚠CAUTION: After changing the bevel angle, always secure the arm by tightening the lever clockwise.

NOTICE: Always remove vertical vise before adjusting the bevel angle.

NOTICE: When tilting the circular saw blade, be sure that the carriage is fully raised.

NOTICE: When changing bevel angles, be sure to reposition the kerf boards appropriately as explained in the section for positioning kerf boards.

NOTICE: Do not tighten the lever too hard. Doing so may cause malfunction of the locking mechanism of the bevel angle.

Tilting the circular saw blade to the left 0° - 45°

1. Rotate the lever counterclockwise.
2. Hold the handle and tilt the carriage to the left.
3. Align the pointer with your desired angle in the bevel angle scale.
4. Tighten the lever clockwise to secure the arm.

► Fig.19: 1. Lever 2. Handle 3. Pointer 4. Bevel angle scale

Tilting the circular saw blade beyond the left 0° - 45°

1. Rotate the lever counterclockwise.
2. Hold the handle and set the carriage at 0° for right 2° side, or 45° for left 47° side.
3. Tilt the carriage slightly to opposite side.
4. Push the releasing button.
5. Tilt the carriage to the desired position beyond the range 0° - 45°.
6. Tighten the lever clockwise to secure the arm.

When tilting the carriage to the right 2°

► Fig.20: 1. Lever 2. Handle 3. Releasing button

When tilting the carriage to the left 47°

► Fig.21: 1. Lever 2. Handle 3. Releasing button

Switch action

⚠ WARNING: Before plugging in the tool, always check to see that the switch trigger actuates properly and returns to the "OFF" position when released. Do not pull the switch trigger hard without pressing in the lock-off button. This can cause switch breakage. Operating a tool with a switch that does not actuate properly can lead to loss of control and serious personal injury.

⚠ WARNING: NEVER use tool without a fully operative switch trigger. Any tool with an inoperative switch is HIGHLY DANGEROUS and must be repaired before further usage or serious personal injury may occur.

⚠ WARNING: NEVER defeat the lock-off button by taping down or some other means. A switch with a negated lock-off button may result in unintentional operation and serious personal injury.

⚠ WARNING: NEVER use the tool if it runs when you simply pull the switch trigger without pressing the lock-off button. A switch in need of repair may result in unintentional operation and serious personal injury. Return tool to a Makita service center for proper repairs BEFORE further usage.

To prevent the switch trigger from being accidentally pulled, a lock-off button is provided. To start the tool, press in the lock-off button and pull the switch trigger. Release the switch trigger to stop.

A hole is provided in the switch trigger for insertion of a padlock to lock the tool off.

► Fig.22: 1. Switch trigger 2. Lock-off button 3. Hole for padlock

⚠ WARNING: Do not use a lock with a shank or cable any smaller than 6.35 mm in diameter. A smaller shank or cable may not properly lock the tool in the off position and unintentional operation may occur resulting in serious personal injury.

Casting a cutting line

⚠ CAUTION: The lamp is not a rainproof. Do not wash the lamp in water or use it in a rain or a wet area. Such a conduct can cause an electric shock and fume.

⚠ CAUTION: Do not touch the lens of the lamp as it is very hot while it is lighted or shortly after it is turned off. This may cause burns.

⚠ CAUTION: Do not apply impact to the lamp, which may cause damage or shortened service time to it.

⚠ CAUTION: Do not look in the light or see the source of light directly.

The LED lamp casts a light over the circular saw blade, and a shadow of the saw blade falls onto a workpiece serving as a calibration-free cutting line indicator. Press the lamp switch to shed a light. A line appears in which the saw blade will meet the surface of the workpiece, becoming deepened as the saw blade gets lowered.

► Fig.23: 1. Lamp switch 2. Lamp 3. Cutting line

The indicator helps cut through an existing cut-off line penciled on a workpiece.

1. Hold the handle and lower the circular saw blade so a dense shadow of the saw blade is thrown against a workpiece.

2. Align a cut-off line drawn on the workpiece with the shadowed cutting line.

3. Adjust the miter angles and bevel angles if necessary.

NOTE: Be sure to turn off the lamp switch after use. Otherwise the lamp stays hot.

ASSEMBLY

⚠ WARNING: Always be sure that the tool is switched off and unplugged before working on the tool. Failure to switch off and unplug the tool may result in serious personal injury.

Hex wrench storage

When not in use, store the hex wrench as shown in the figure to keep it from being lost.

► Fig.24: 1. Hex wrench

Installing or removing circular saw blade

⚠ WARNING: Always be sure that the tool is switched off and unplugged before removing and installing the circular saw blade. Accidental startup of the tool may result in serious personal injury.

⚠ WARNING: Use only the Makita wrench provided to remove and install the circular saw blade. Failure to use the wrench may result in overtightening or insufficient tightening of the hex socket bolt and serious personal injury.

⚠ WARNING: Never use or substitute the parts which are not supplied with this tool. Using such parts can cause serious personal injury.

⚠ WARNING: After installing the circular saw blade, always make sure that it is securely installed. Loose attachment of the circular saw blade can cause serious personal injury.

Common preparations for installing or removing the circular saw blade

1. Unlock the carriage by pulling the stopper pin, then move the carriage to the raised position.

2. Loosen the hex socket bolt holding the center cover using the hex wrench. Then, raise the blade guard and center cover.

► Fig.25: 1. Hex wrench 2. Hex socket bolt 3. Center cover 4. Blade guard

Installing the circular saw blade

CAUTION: Make sure to install the circular saw blade so that the direction of the arrow on the circular saw blade matches that on the blade case. Failure to do so may result in personal injury and cause damage to the tool and/or the workpiece.

1. Complete the steps in the "Common preparations for installing or removing the circular saw blade".
2. Press the shaft lock to lock the spindle and use the hex wrench to loosen the hex socket bolt clockwise. Then remove the hex socket bolt and outer flange.
▶ **Fig.26:** 1. Hex socket bolt (left-handed) 2. Outer flange 3. Shaft lock
3. Mount the circular saw blade carefully onto the inner flange. Make sure that the direction of the arrow on the circular saw blade matches the direction of the arrow on the blade case.
▶ **Fig.27:** 1. Arrow
4. Install the outer flange and hex socket bolt. Tighten the hex socket bolt (left-handed) counterclockwise securely using the hex wrench while pressing the shaft lock.
▶ **Fig.28:** 1. Hex socket bolt (left-handed) 2. Outer flange 3. Circular saw blade 4. Ring 5. Inner flange 6. Spindle
▶ **Fig.29:** 1. Hex socket bolt (left-handed) 2. Outer flange 3. Shaft lock
5. Return the blade guard and center cover to its original position. Then tighten the hex socket bolt of the center cover to secure it.
Lower the carriage and check that the blade guard moves properly.
▶ **Fig.30:** 1. Hex wrench 2. Hex socket bolt 3. Center cover 4. Blade guard

Removing the circular saw blade

1. Complete the steps in the "Common preparations for installing or removing the circular saw blade".
2. Press the shaft lock to lock the spindle. Loosen the hex socket bolt clockwise using the hex wrench. Then remove the hex socket bolt, outer flange and circular saw blade.
▶ **Fig.31:** 1. Hex socket bolt (left-handed) 2. Outer flange 3. Shaft lock
3. If the inner flange is removed, install it on the spindle with its blade mounting part facing the circular saw blade. If the flange is installed incorrectly, the flange will rub against the machine.
▶ **Fig.32:** 1. Hex socket bolt (left-handed) 2. Outer flange 3. Circular saw blade 4. Ring 5. Inner flange 6. Spindle

NOTICE: Be careful not to lose the removed outer flange and hex socket bolt.

Connecting a vacuum cleaner

When you wish to perform clean cutting operation, connect a Makita vacuum cleaner.

NOTICE: Depending on the type of vacuum cleaner and hose used, the dust collecting port may be blocked by the dust collecting guard, making it impossible to collect dust. In that case, weaken the suction power of the vacuum cleaner.

▶ **Fig.33:** 1. Dust collecting guard

Dust bag

CAUTION: When performing a cutting, always attach the dust bag or connect a vacuum cleaner to prevent dust-related hazards.

The use of the dust bag makes cutting operations clean and dust collection easy. To attach the dust bag, connect the dust bag to the dust nozzle.

▶ **Fig.34:** 1. Dust bag 2. Dust nozzle

When the dust bag is about half full, remove the dust bag from the tool and pull the fastener out. Empty the dust bag of its contents, tapping it lightly so as to remove particles adhering to the insides which might hamper further collection.

▶ **Fig.35:** 1. Fastener

Securing workpiece

WARNING: It is extremely important to always secure the workpiece correctly with the proper type of vise. Failure to do so may result in serious personal injury and cause damage to the tool and/or the workpiece.

WARNING: After a cutting operation, do not raise the saw blade until it has come to a complete stop. The raising of a coasting saw blade may result in serious personal injury and damage to the workpiece.

WARNING: When cutting a workpiece that is longer than the support base of the miter saw, the material should be supported the entire length beyond the support base and at the same height to keep the material level. Proper workpiece support will help avoid blade pinch and possible kickback which may result in serious personal injury. Do not rely solely on the vertical vise to secure the workpiece. Thin material tends to sag. Support workpiece over its entire length to avoid blade pinch and possible KICKBACK.

▶ **Fig.36:** 1. Support 2. Turn base

Guide fences

⚠ WARNING: Before operating the tool, make sure that the sliding fence is secured with the clamping screw firmly.

⚠ WARNING: Before bevel-cutting, make sure that no part of the tool, especially the circular saw blade, contacts the fences when fully lowering and raising the handle in any position and while moving the carriage through its full range of travel. If the tool or circular saw blade makes contact with the fence, this may result in kickback or unexpected movement of the material and serious personal injury.

This tool is equipped with the sliding fence. When performing left bevel cuts, loosen the clamping screw and move the sliding fence so that it does not hinder the carriage movement. Secure the sliding fence by tightening the clamping screw.

► **Fig.37:** 1. Sliding fence 2. Guide fence 3. Clamping screw

Vertical vise

⚠ WARNING: The workpiece must be secured firmly against the turn base and guide fence with the vise during all operations. If the workpiece is not properly secured against the fence, the material may move during the cutting operation causing possible damage to the saw blade, causing the material to be thrown and loss of control resulting in serious personal injury.

The vertical vise can be installed into the holes on the left side of the base, right side of the base, or left side of the sub base.

Press the workpiece flat against the guide fence and the turn base. Position the workpiece at the desired cutting position and secure it firmly by tightening the vise knob. Make sure that no part of the tool contacts the vertical vise when lowering the handle all the way. If some part contacts the vertical vise, re-position the vertical vise.

► **Fig.38:** 1. Hole 2. Vise knob

Sub base

⚠ WARNING: Always support a long workpiece so it is level with the top surface of the turn base for an accurate cut and to prevent dangerous loss of tool control. Proper workpiece support will help avoid blade pinch and possible kickback which may result in serious personal injury.

⚠ WARNING: Before the cutting operation, always be sure that the sub bases are secured by the thumb screws.

To hold long workpieces horizontally, sub bases are provided on both sides of the tool. Loosen the thumb screws and extend the sub bases to the appropriate length for holding the workpiece. Then tighten the thumb screws.

► **Fig.39:** 1. Sub base 2. Thumb screw

When cutting, place the workpiece flat against the guide fences.

► **Fig.40:** 1. Guide fence 2. Sub base

OPERATION

This tool is intended to cut wood products. With appropriate Makita genuine saw blades, following materials can also be sawed :

— Aluminum products

Refer to our website or contact your local Makita dealer for the correct circular saw blades to be used for the material to be cut.

⚠ WARNING: Make sure the saw blade is not contacting the workpiece, etc. before the switch is turned on. Turning the tool on with the saw blade in contact with the workpiece may result in kickback and serious personal injury.

⚠ WARNING: After a cutting operation, do not raise the saw blade until it has come to a complete stop. The raising of a coasting saw blade may result in serious personal injury and damage to the workpiece.

⚠ WARNING: Do not perform any adjustment such as turning grip, knob, and levers on the tool while the saw blade is rotating. Adjustment while the saw blade is rotating may result in serious personal injury.

⚠ CAUTION: Do not release the saw head uncontrolled from the fully down position. Uncontrolled saw head may hit you and it will result in personal injury.

NOTICE: Before use, be sure to unlock the stopper pin and release the handle from the lowered position.

NOTICE: Do not apply excessive pressure on the handle when cutting. Too much force may result in overload of the motor and/or decreased cutting efficiency. Press down handle with only as much force as necessary for smooth cutting and without significant decrease in blade speed.

NOTICE: Gently press down the handle to perform the cut. If the handle is pressed down with force or if lateral force is applied, the saw blade may vibrate and leave a mark (saw mark) in the workpiece and the precision of the cut may be impaired.

NOTICE: During a slide cut, gently push the carriage toward the guide fence without stopping. If the carriage movement is stopped during the cut, a mark will be left in the workpiece and the precision of the cut will be impaired.

Press cutting

⚠ WARNING: Always lock the sliding movement of the carriage when performing a press cutting. Cutting without lock may cause possible kickback which may result in serious personal injury.

Workpieces up to 65 mm high and 80 mm wide can be cut in the following manner.

1. Push the carriage toward the guide fence until it stops and lock it with the thumb screw.
2. Secure the workpiece with the proper type of vise.
3. Switch on the tool without the circular saw blade making any contact and wait until the circular saw blade attains full speed before lowering.
4. Gently lower the handle to the fully lowered position to cut the workpiece.
5. When the cut is completed, switch off the tool and wait until the circular saw blade has come to a complete stop before returning the circular saw blade to its fully elevated position.

► Fig.41: 1. Thumb screw

Slide (push) cutting (cutting wide workpieces)

⚠ WARNING: Whenever performing a slide cut, first pull the carriage full towards you and press the handle all the way down, then push the carriage toward the guide fence. Never start the cut with the carriage not pulled fully toward you. If you perform the slide cut without the carriage pulled fully toward you, unexpected kickback may occur and serious personal injury may result.

⚠ WARNING: Never attempt to perform a slide cut by pulling the carriage towards you. Pulling the carriage towards you while cutting may cause unexpected kickback resulting in possible serious personal injury.

⚠ WARNING: Never perform the slide cut with the handle locked in the lowered position.

1. Loosen the thumb screw so that the carriage can slide freely.
2. Secure the workpiece with the proper type of vise.
3. Pull the carriage toward you fully.
4. Switch on the tool without the circular saw blade making any contact and wait until the saw blade attains full speed.
5. Press the handle down and push the carriage toward the guide fence and through the workpiece.
6. When the cut is completed, switch off the tool and wait until the saw blade has come to a complete stop before returning the saw blade to its fully elevated position.

► Fig.42: 1. Thumb screw

Miter cutting

Refer to the section for adjusting the miter angle.

Bevel cut

⚠ WARNING: After setting the saw blade for a bevel cut, ensure that the carriage and saw blade will have free travel throughout the entire range of the intended cut before operating the tool.

Interruption of the carriage or blade travel during the cutting operation may result in kickback and serious personal injury.

⚠ WARNING: While making a bevel cut, keep hands out of the path of the saw blade. The angle of the saw blade may confuse the operator as to the actual blade path while cutting and contact with the saw blade will result in serious personal injury.

⚠ WARNING: The saw blade should not be raised until it has come to a complete stop. During a bevel cut, the piece cut off may come to rest against the saw blade. If the saw blade is raised while it is rotating, the cut-off piece may be ejected by the saw blade causing the material to fragment which may result in serious personal injury.

NOTICE: When pressing down the handle, apply pressure in parallel with the saw blade. If a force is applied perpendicularly to the turn base or if the pressure direction is changed during a cut, the precision of the cut will be impaired.

1. Set the sliding fence on the left to prevent the carriage from contacting.
2. Unlock the stopper pin and loosen thumb screw on the arm so that the carriage can be elevated and slid freely.
3. Adjust the bevel angle according to the procedure explained in the section for bevel angle adjustment. Then tighten the grip.
4. Secure the workpiece with a vise.
5. Pull the carriage toward you fully.
6. Switch on the tool without the circular saw blade making any contact and wait until the circular saw blade attains full speed.
7. Gently lower the handle to the fully lowered position while applying pressure in parallel with the circular saw blade and push the carriage toward the guide fence to cut the workpiece.
8. When the cut is completed, switch off the tool and wait until the circular saw blade has come to a complete stop before returning the saw blade to its fully elevated position.

► Fig.43

Compound cutting

Compound cutting is the process in which a bevel angle is made at the same time in which a miter angle is being cut on a workpiece. Compound cutting can be performed at the angle shown in the table.

Miter angle	Bevel angle
Left and Right 0° - 45°	Left 0° - 45°

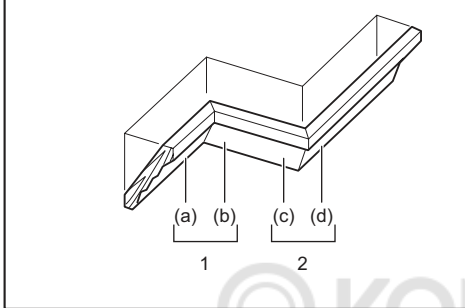
When performing compound cutting, refer to the section for press cutting, slide (push) cutting, miter cutting and bevel cut.

Cutting crown and cove moldings

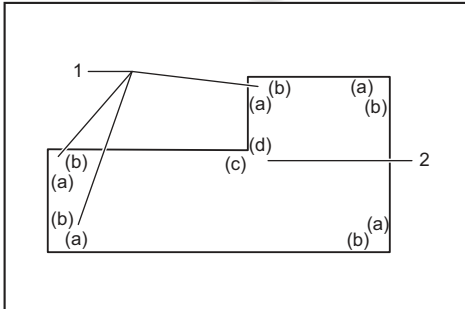
Crown and cove moldings can be cut on a compound miter saw with the moldings laid flat on the turn base. There are two common types of crown moldings and one type of cove moldings; 52/38° wall angle crown molding, 45° wall angle crown molding and 45° wall angle cove molding.

► **Fig.44:** 1. 52/38° type crown molding 2. 45° type crown molding 3. 45° type cove molding

There are crown and cove molding joints which are made to fit "Inside" 90° corners ((a) and (b) in the figure) and "Outside" 90° corners ((c) and (d) in the figure.)



1. Inside corner 2. Outside corner



1. Inside corner 2. Outside corner

Measuring

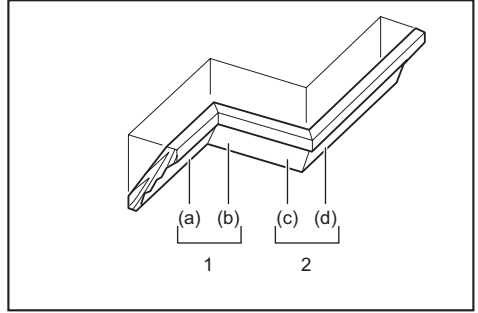
Measure the wall width, and adjust the width of the workpiece according to it. Always make sure that width of the workpiece's wall contact edge is the same as wall length.

► **Fig.45:** 1. Workpiece 2. Wall width 3. Width of the workpiece 4. Wall contact edge

Always use several pieces for test cuts to check the saw angles.

When cutting crown and cove moldings, set the bevel angle and miter angle as indicated in the table (A) and position the moldings on the top surface of the saw base as indicated in the table (B).

In the case of left bevel cut



1. Inside corner 2. Outside corner

Table (A)

-	Molding position in the figure	Bevel angle		Miter angle	
		52/38° type	45° type	52/38° type	45° type
For inside corner	(a)	Left 33.9°	Left 30°	Right 31.6°	Right 35.3°
	(b)			Left 31.6°	Left 35.3°
For outside corner	(c)			Right 31.6°	Right 35.3°
	(d)			Right 31.6°	Right 35.3°

Table (B)

-	Molding position in the figure	Molding edge against guide fence	Finished piece
For inside corner	(a)	Ceiling contact edge should be against guide fence.	Finished piece will be on the Left side of the circular saw blade.
	(b)	Wall contact edge should be against guide fence.	
For outside corner	(c)	Wall contact edge should be against guide fence.	Finished piece will be on the Right side of the circular saw blade.
	(d)	Ceiling contact edge should be against guide fence.	

Example:

In the case of cutting 52/38° type crown molding for position (a) in the above figure:

- Tilt and secure bevel angle setting to 33.9° LEFT.
- Adjust and secure miter angle setting to 31.6° RIGHT.
- Lay crown molding with its broad back (hidden) surface down on the turn base with its CEILING CONTACT EDGE against the guide fence on the saw.
- The finished piece to be used will always be on the LEFT side of the circular saw blade after the cut has been made.

Cutting aluminum extrusion

When securing aluminum extrusions, use spacer blocks or pieces of scrap as shown in the figure to prevent deformation of the aluminum. Use a cutting lubricant when cutting the aluminum extrusion to prevent build-up of the aluminum material on the circular saw blade.

⚠ WARNING: Never attempt to cut thick or round aluminum extrusions. Thick or round aluminum extrusions can be difficult to secure and the work may loosen during the cutting operation which may result in loss of control and serious personal injury.

- **Fig.46:** 1. Vise 2. Spacer block 3. Guide fence
4. Aluminum extrusion 5. Spacer block

Cutting repetitive lengths

When cutting several pieces of stock to the same length, ranging from 225 mm to 350 mm, pull up the set plate as shown in the figure.

Secure the workpiece in the position for cutting. Slide the right sub base so that the set plate flushes against the end of the workpiece. Then secure the sub base with the thumb screw.

- **Fig.47:** 1. Set plate 2. Thumb screw

Groove cutting

⚠ WARNING: Do not attempt to perform this type of cut by using a wider type blade or dado blade. Attempting to make a groove cut with a wider blade or dado blade could lead to unexpected cutting results and kickback which may result in serious personal injury.

⚠ WARNING: Be sure to return the stopper arm to the original position when performing other than groove cutting. Attempting to make cuts with the stopper arm in the incorrect position could lead to unexpected cutting results and kickback which may result in serious personal injury.

For a dado type cut, perform as follows:

1. Adjust the lower limit position of the circular saw blade using the adjusting screw and the stopper arm to limit the cutting depth of the circular saw blade. Refer to the section for stopper arm.

2. After adjusting the lower limit position of the circular saw blade, cut parallel grooves across the width of the workpiece using a slide (push) cut.

- **Fig.48:** 1. Cut grooves with saw blade

3. Remove the workpiece material between the grooves with a chisel.

Carrying tool

Before carrying the tool, be sure to unplug the tool and all movable parts of the tool are secured. Always check the following:

- The tool is unplugged.
- The carriage is at 0° bevel angle position and secured.
- The carriage is lowered and locked.
- The carriage is slid toward you fully and locked.
- The turn base is at the full right miter angle position and secured.

Carry the tool by holding the carry handle and one side of the tool base or by holding both sides of the tool base.

- **Fig.49**

- **Fig.50**

⚠ WARNING: Stopper pin for carriage elevation is for carrying, storage, and adjustment purposes only and not for any cutting operations. The use of the stopper pin for cutting operations may cause unexpected movement of the circular saw blade resulting in kickback and serious personal injury.

⚠ CAUTION: Always secure all moving portions before carrying the tool. If portions of the tool move or slide while being carried, loss of control or balance may occur and result in personal injury.

⚠ CAUTION: Be sure that the carriage elevation is properly locked at its bottom by the stopper pin. If the stopper pin is not engaged properly, the carriage may jump up suddenly and cause personal injury.

MAINTENANCE

⚠ WARNING: Always be sure that the tool is switched off and unplugged before attempting to perform inspection or maintenance. Failure to unplug and switch off the tool may result in accidental startup of the tool which may result in serious personal injury.

⚠ WARNING: Always be sure that the saw blade is sharp and clean for the best and safest performance. Attempting a cut with a dull and /or dirty saw blade may cause kickback and result in a serious personal injury.

NOTICE: Never use gasoline, benzine, thinner, alcohol or the like. Discoloration, deformation or cracks may result.

To maintain product SAFETY and RELIABILITY, repairs, any other maintenance or adjustment should be performed by Makita Authorized or Factory Service Centers, always using Makita replacement parts.

Adjusting the cutting angle

This tool is carefully adjusted and aligned at the factory, but rough handling may have affected the alignment. If your tool is not aligned properly, perform the following:

Miter angle

1. Lock the carriage in the lowered position by the stopper pin. Push the carriage toward the guide fence and tighten the thumb screw to secure the carriage.
2. Set the turn base to the 0° position using the positive stop function. (Leave as it is if the pointer does not point to 0°.)

3. Loosen the hex socket bolts securing the guide fence using the hex wrench.

► **Fig.51:** 1. Stopper pin 2. Thumb screw 3. Hex socket bolts

4. Square the side of the saw blade with the face of the guide fence using a triangular rule or try-square. Then securely tighten the hex socket bolts on the guide fence in order from the right side.

► **Fig.52:** 1. Guide fence 2. Triangular rule

5. If the pointer does not point to 0°, loosen the screw which secures the pointer and adjust the pointer so that it points 0°.

► **Fig.53:** 1. Screw 2. Pointer 3. Miter scale

Bevel angle

0° bevel angle

1. Lock the carriage in the lowered position by the stopper pin. Push the carriage toward the guide fence and tighten the thumb screw to secure the carriage.

2. Loosen the lever. Then turn the 0° adjusting bolt two or three revolutions counterclockwise to tilt the circular saw blade to the right.

► **Fig.54:** 1. Lever 2. 0° Adjusting bolt

3. Carefully square the side of the saw blade with the top surface of the turn base using the triangular rule, try-square, etc. by turning the 0° adjusting bolt clockwise. Then tighten the lever firmly to secure the 0° angle you have set.

► **Fig.55:** 1. Triangular rule 2. Saw blade 3. Top surface of turn base

4. If the pointer does not point 0°, loosen the screw which secures the pointer and adjust it so that it points 0°.

► **Fig.56:** 1. Screw 2. Pointer 3. Bevel scale

45° bevel angle

NOTICE: Before adjusting the 45° bevel angle, finish 0° bevel angle adjustment.

1. Tighten the thumb screw to secure the carriage.
2. Loosen the lever. Then fully tilt the carriage to the left.

► **Fig.57:** 1. Thumb screw 2. Lever

3. Check if the pointer indicates the 45° position in the bevel angle scale.

If the pointer does not indicate the 45° position, align it with 45° position by turning the 45° adjusting bolt.

► **Fig.58:** 1. 45° adjusting bolt

Replacing carbon brushes

Remove and check the carbon brushes regularly. Replace when they wear down to the limit mark. Keep the carbon brushes clean and free to slip in the holders. Both carbon brushes should be replaced at the same time. Use only identical carbon brushes.

► **Fig.59:** 1. Limit mark

Use a screwdriver to remove the brush holder caps. Take out the worn carbon brushes, insert the new ones and secure the brush holder caps.

► **Fig.60:** 1. Brush holder cap

After use

After use, wipe off chips and dust adhering to the tool with a cloth or the like. Keep the blade guard clean according to the directions in the previously covered section titled "Blade guard". Lubricate the sliding portions with machine oil to prevent rust.

OPTIONAL ACCESSORIES

⚠ WARNING: These Makita accessories or attachments are recommended for use with your Makita tool specified in this manual. The use of any other accessories or attachments may result in serious personal injury.

⚠ WARNING: Only use the Makita accessory or attachment for its stated purpose. Misuse of an accessory or attachment may result in serious personal injury.

If you need any assistance for more details regarding these accessories, ask your local Makita Service Center.

- Steel & Carbide-tipped saw blade
- Vertical vise
- Dust bag
- Triangular rule
- Hex wrench
- Stand set

NOTE: Some items in the list may be included in the tool package as standard accessories. They may differ from country to country.

SPECIFIKATIONER

Modell:		LS0816F
Bladdiameter		216 mm
Håldiameter	Länder i Europa	30 mm
	Länder utanför Europa	25,4 mm eller 30 mm (landsspecifik)
Max skärtjocklek på sågklingan		2,8 mm
Max. geringsvinkel		Vänster 47°, höger 47°
Max. för vinkelsågning		Vänster 47°, höger 2°
Hastighet utan belastning (rpm)		5 000 min ⁻¹
Dimensioner (L x B x H)		476 mm x 705 mm x 521 mm
Nettovikt		13,9 kg
Säkerhetsklass		□/II









- På grund av vårt pågående program för forskning och utveckling kan dessa specifikationer ändras utan föregående meddelande.
- Specifikationer kan variera mellan olika länder.
- Vikt enligt EPTA-procedur 01/2014

Sågkapacitet (H x B) med en sågklinga med diametern 216

Geringsvinkel	Vinkel för vinkelsågning		
	45° (vänster)	0°	2° (höger)
0°	36 mm x 305 mm	65 mm x 305 mm	60 mm x 305 mm
45° (vänster och höger)	36 mm x 215 mm	65 mm x 215 mm	-

Symboler

Följande visar symbolerna som kan användas för utrustningen. Se till att du förstår innebörden innan användning.

	Läs igenom bruksanvisningen.
	DUBBEL ISOLERING
	Använd skyddsglasögon.
	För att undvika skador från flygande materialrester, fortsätt att hålla ned såghuvudet efter att du har sågat färdigt tills sågklingan har stannat helt.
	Vid skjutsågning, dra först ut vagnen så långt som möjligt, tryck ned handtaget och skjut sedan vagnen mot anhållet.
	Håll inte handen eller fingrarna i närheten av sågklingan.
	Justera de skjutbara anhållen bort från sågklingan och klingskyddet.
	Stirra inte in i driftlampan.



Gäller endast inom EU
P.g.a. förekomsten av farliga komponenter i utrustningen kan begagnad elektrisk och elektronisk utrustning ha negativ inverkan på miljön och människors hälsa.
Kassera inte elektriska och elektroniska apparater ihop med hushållsavfall!
I enlighet med EU-direktivet om avfall som utgörs av eller innehåller elektrisk och elektronisk utrustning, och dess införlivande i nationell lagstiftning, bör begagnad elektrisk och elektronisk utrustning samlas in separat och transporteras till en särskild uppsamlingsplats för kommunalt avfall, som drivs i enlighet med regelverket för miljöskydd.
Detta anges av symbolen med den överkryssade soptunnan på hjul som sitter på utrustningen.

Avsedd användning

Verktyget är avsett för exakt rak sågning och geringsågning i trä. Med korrekta sågklingor kan också aluminium sågas. Detaljerad information finns i avsnittet för ANVÄNDNING.

Strömförsörjning

Maskinen får endast anslutas till elnät med samma spänning som anges på typlåten och med enfasig växelström. De är dubbelisolerade och får därför också anslutas i ojordade vägguttag.

Buller

Den normala bullernivån för A-belastning är bestämd enligt EN62841-3-9:

Ljudtrycksnivå (L_{pA}): 91 dB (A)

Ljudeffektnivå (L_{WA}): 102 dB (A)

Mättolerans (K): 3 dB (A)

OBS: Det deklarerade bullervärdet har uppmätts i enlighet med standardtestmetoden och kan användas för jämförande av en maskin med en annan.

OBS: Det deklarerade bulleremissionsvärdet kan också användas i en preliminär bedömning av exponering för vibration.

⚠ VARNING: Använd hörselskydd.

⚠ VARNING: Bulleremissionen under faktisk användning av maskinen kan skilja sig från det deklarerade värdet, beroende på hur maskinen används och särskilt vilken typ av arbetsstycke som behandlas.

⚠ VARNING: Var noga med att identifiera säkerhetsåtgärder för att skydda användaren, vilka är grundade på en uppskattning av graden av exponering för vibrationer under de faktiska användningsförhållandena, (ta, förutom avtryckartiden, med alla delar av användarcykeln i beräkningen, som till exempel tiden då maskinen är avstängd och när den går på tomgång).

Försäkran om överensstämmelse

Gäller endast inom EU

Försäkran om överensstämmelse ingår i bilaga A till denna bruksanvisning.

SÄKERHETSVARNINGAR

Allmänna säkerhetsvarningar för maskiner

⚠ VARNING Läs alla säkerhetsvarningar, instruktioner, illustrationer och specifikationer som medföljer detta elverktyg. Underlåtenhet att följa alla instruktioner nedan kan leda till elstötar, brand och/eller allvarliga personskador.

Spara alla varningar och instruktioner för framtida referens.

Termen "maskin" som anges i varningarna hänvisar till din eldrivna maskin (sladdansluten) eller batteridrivna maskin (sladdlös).

Säkerhet på arbetsplatsen

1. **Se till att arbetsområdet är rent och har bra belysning.** Arbetsområden med skräp eller dålig belysning kan leda till olyckor.
2. **Använd inte maskinen i explosiva områden, som till exempel i närheten av lättantändliga vätskor, gaser eller damm.** Maskinen skapar gnistor som kan antända dammet eller ångorna.

3. **Barn och andra obehöriga bör hållas på avstånd när du använder maskinen.** Om du blir distraherad kan du förlora kontrollen över verktyget.

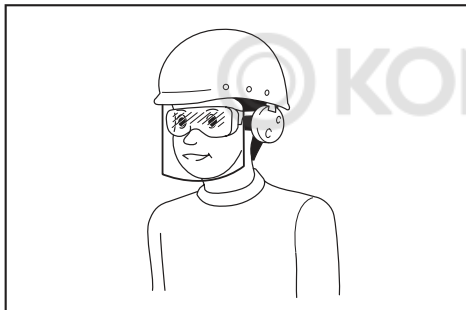
Elsäkerhet

1. **Maskinens stickkontakt måste passa i uttaget. Modifiera inte kontakten på något sätt. Använd inte adapter tillsammans med jordade maskiner.** När stickkontakt och uttag är avpassade för varandra minskar risken för elstöt.
2. **Undvik kroppskontakt med jordade ytor som till exempel rör, element, spisar och kylskåp.** Det finns en ökad risk för elstöt om din kropp är jordad.
3. **Utsätt inte maskinen för regn eller väta.** Vatten inuti maskinen ökar risken för elstöt.
4. **Var försiktig med sladden. Använd aldrig sladden när du bär, drar eller kopplar ur maskinen ur vägguttaget. Håll sladden borta från värme, olja, vassa kanter eller rörliga delar.** Skadad eller intrasslad sladd ökar risken för elstöt.
5. **Använd endast särskilda förlängningsladdar avsedda för utomhusbruk vid arbete utomhus.** Om en sladd för utomhusbruk används minskar risken för elstöt.
6. **Om maskinen måste användas på fuktiga platser, använd strömmatning via jordfelsbrytare.** Användning av en jordfelsbrytare minskar risken för elstöt.
7. **Det rekommenderas att maskinen strömförorsjs via en jordfelsbrytare med en typisk felström på 30 mA eller mindre.**
8. **Elverktyg kan alstra elektromagnetiska fält (EMF) som inte är skadliga för användaren.** Däremot bör personer med pacemaker och andra liknande medicinska enheter kontakta tillverkaren av enheten och/eller läkare om råd innan de använder detta elverktyg.
9. **Rör inte vid elkontakten med väta händer.**
10. **Om kabeln är skadad måste den bytas ut av tillverkaren eller hans agent för att undvika säkerhetsrisker.**

Personskydd

1. **Var hela tiden vaksam, koncentrera dig på det du gör och använd sunt förnuft när du använder maskinen. Använd inte maskinen när du trött eller påverkad av alkohol eller mediciner.** Ett ögonblicks ouppmärksamhet kan resultera i allvarliga personskador.
2. **Använd personlig säkerhetsutrustning. Använd alltid skyddsglasögon.** Användning av skyddsutrustning, som till exempel dammask, halkfria skor, skyddshjälm och hörselskydd, under lämpliga förhållanden minskar risken för personskador.
3. **Förhindra oavsiktlig start. Säkerställ att avtryckaren är i avstängt läge innan maskinen ansluts till elnätet och/eller till batteriet, plockas upp eller transporteras.** Att bära maskinen med fingrarna på avtryckaren eller förse maskinen med ström när avtryckaren är intryckt inbjuder till olyckor.
4. **Ta bort installationsnycklar och andra verktyg innan maskinen startas.** En installationsnyckel eller annat verktyg som sitter på en roterande del av maskinen kan resultera i personskador.

5. **Översträck inte. Stå alltid stabilt och ha god balans hela tiden.** På så vis får du bättre kontroll över maskinen i oväntade situationer.
6. **Klä dig rätt. Bär inte löst sittande kläder eller smycken. Håll hår och kläder borta från rörliga delar.** Löst sittande kläder, smycken eller långt hår kan fastna i rörliga delar.
7. **Om utrustning för dammsugning tillhandahålls ska du tillse att denna utrustning är ansluten och används på rätt sätt.** Användning av dammuppsamling kan minska dammrelaterade risker.
8. **Låt inte förtrogenhet från frekvent användning av maskinen göra dig för självsäker och därför ignorera maskinens säkerhetsprinciper.** Ovarsam användning kan leda till allvarliga skador på nolltid.
9. **Bär alltid skyddsglasögon för att skydda dina ögon från skada när du använder e-verktyg. Skyddsglasögonen måste uppfylla ANSI Z87.1 i USA, EN 166 i Europa, eller AS/NZS 1336 i Australien/Nya Zeeland. I Australien/ Nya Zeeland måste man enligt lag även bära ansiktsskydd för att skydda ansiktet.**
5. **Underhålla maskinen och tillbehör. Kontrollera om det finns misspassningar, skador eller annat som kan påverka maskinens drift. Kontrollera också att alla rörliga delar kan röra sig fritt. Om maskinen är skadad, se till att få den reparerad före användning.** Många olyckor orsakas av dåligt underhållna maskiner.
6. **Se till att skärverktyg hålls rena och skarpa.** Ett välvårdat skärverktyg med vass egg är både lättare och säkrare att manövrera.
7. **Använd maskinen, tillbehör och verktygsdelar etc. i enlighet med dessa instruktioner, med hänsyn till arbetsförhållanden och till det arbete som ska utföras.** Användning av maskin för annat arbete än vad den är avsedd för kan leda till en farlig situation.
8. **Håll handtagen och greppytor torra, rena och fria från olja och smuts.** Hala handtag och greppytor gör hanteringen av och kontrollen över maskinen osäker om oväntade situationer uppstår.
9. **Använd inte arbetshandskar som kan trassla in sig i maskinen när du använder den.** Om arbetshandskar trasslar in sig i rörliga delar kan det leda till personskada.



Det är arbetsgivarens ansvar att se till att användare och övriga personer i det omedelbara arbetsområdet använder lämplig skyddsutrustning.

Användning och underhåll av maskinen

1. **Använd inte maskinen utanför dess begränsningar. Välj rätt maskin för arbetsuppgiften.** En maskin som används på avsett sätt gör jobbet bättre och säkrare.
2. **Använd inte maskinen om den inte går att starta eller stänga av med avtryckaren.** Maskinen som inte går att manövrera via avtryckaren är riskabla att använda och måste repareras.
3. **Dra ur kontakten ur vägguttaget och/eller ta ur batteriet (om lösttagbart) ur maskinen innan du ändrar inställningar, byter tillbehör eller förvarar maskinen.** Genom denna förebyggande säkerhetsåtgärd elimineras risken för att maskinen startas oavsiktligt.
4. **Förvara maskiner som inte används utom räckhåll för barn. Låt inte personer som är ovana vid maskinen, eller obekanta med denna bruksanvisning, använda maskinen.** Maskinen är ett farligt redskap i händerna på en ovan användare.

Service

1. **Lämnna maskinen till en auktoriserad verkstad för service och underhåll med originalreservdelar.** Detta garanterar fortsatt säker användning av maskinen.
2. **Följ instruktionerna för smörjning och byte av tillbehör.**

Säkerhetsinstruktioner för geringssågar

1. **Geringssågar är avsedda för att såga i trä eller träliknande material. De får inte användas med kapskivor för att kapa stål som stänger, armeringsjärn, nitar etc.** Abrasivt damm gör så att rörliga delar som det nedre skyddets fastnar. Gnistor från abrasivt kapande kommer att bränna det nedre skyddet, skärinsatsen och andra plastdelar.
2. **Använd klämmor när det är möjligt för att stödja arbetsstycket. Om du håller arbetsstycket med händerna måste du alltid dem minst 100 mm från sågklingen. Använd inte denna såg för att såga ut bitar som är för små för att kunna klämmas fast ordentligt eller hålls säkert för hand.** Om din hand är placerad för nära sågklingen finns det en ökad risk för skada från kontakt med klingan.
3. **Arbetsstycket måste vara stationärt och fastklämt eller hållas mot både anhållet och bordet. Mata inte in arbetsstycket i klingan eller kapa på "fri hand" på något sätt. Lösa eller rörliga arbetsstycken kan slungas ut med hög hastighet och orsaka skada.**
4. **Tryck sågen genom arbetsstycket. Dra inte sågen genom arbetsstycket. För att kapa, lyft upp såghuvudet och dra ut det över arbetsstycket utan att kapa, starta motorn, tryck ner såghuvudet och tryck ner sågen genom arbetsstycket.** Om du sågar vid dragningen "klättrar" troligen sågklingen upp på arbetsstycket och kastar klingenheten kraftigt mot användaren.

5. **För aldrig händerna över den avsedda kaplingen, varken framför eller bakom sågklingan.** Att stödja arbetsstycket "korsvis" t.ex. genom att hålla arbetsstycket på höger sida med din vänstra hand eller vice versa är väldigt farligt.
- **Fig.1**
6. **Sträck inte in händerna bakom anhållet närmre än 100 mm på vardera sidan av sågklingan, varken för att ta bort trärester eller för några andra orsaker när klingan snurrar.** Närheten från den roterande sågklingan och din hand kanske inte är uppenbar och du kan skada dig allvarligt.
7. **Inspektera arbetsstycket innan kapning. Om arbetsstycket är böjt eller vidret, spänn fast det med den böjda sidan mot anhållet. Se alltid till att det inte finns något mellanrum mellan arbetsstycket, anhållet och bordet utmed såglinjen.** Böjda eller vrängda arbetsstycken kan vrida sig eller flyttas och göra så att den roterande sågklingan fastnar när du kapar. Det får inte finnas spikar eller främmande föremål i arbetsstycket.
8. **Använd inte sågen innan bordet är fritt från alla verktyg, träbitar mm., förutom arbetsstycket.** Små föremål eller lösa träbitar eller andra föremål som kommer i kontakt med den roterande klingan kan slungas iväg med hög hastighet.
9. **Kapa endast ett arbetsstycke i taget.** Flera arbetsstycken staplade på varandra kan inte klämmas fast/stötts ordentligt och kan göra så att klingan fastnar eller flyttas vid kapning.
10. **Se till att geringssågen är monterad eller placerad på en plan, stabil arbetsyta innan användning.** En plan och stabil arbetsyta minskar risken för att girsågen blir ostabil.
11. **Planera ditt arbete. Varje gång du ändrar inställning på vinkeln eller geringssågen, se till att det justerbara anhållet är ordentligt inställt för att stödja arbetsstycket och inte stör med klingan eller skyddssystemet.** Utan att ställa verktyget i läge "PÅ" och utan arbetsstycke på bordet, förflytta sågklingan en komplett simulerad kapning för att säkerställa att inte anhållet stör eller risk föreligger att du sågar i det.
12. **Applicera tillräckligt med stöd, som bordsförlängning, sågbock etc. för arbetsstycken som är längre eller bredare än bordsskivan.** Arbetsstycken som är längre eller bredare än geringssågens bord kan välta om de inte stöds ordentligt. Om den kapade delen eller arbetsstycket välter kan de lyfta det nedre skyddet eller slungas ut av den roterande klingan.
13. **Använd inte en annan person som ersättning för en bordsförlängning eller som extra stöd.** Ostabil stöd för arbetsstycket kan göra så att klingan fastnar eller så att arbetsstycket flyttas vid kapning, vilket kan dra både dig och den assisterande personen in i den roterande klingan.
14. **Den kapade delen får inte fastna eller tryckas mot den roterande sågklingan på något sätt.** Om den begränsas, t.ex. med längdstopp, kan den kapade delen fastna mot klingan och slungas kraftigt.
15. **Använd alltid en klämma eller skruvtving avsedd att korrekt stödja runda material som stänger eller rör.** Stänger har en tendens att rulla när de kapas vilket får bladet att "bita" och dra arbetsstycket med din hand in i klingan.
16. **Låt klingan uppnå full hastighet innan den kommer i kontakt med arbetsstycket.** Detta minskar risken för att arbetsstycket slungas iväg.
17. **Om arbetsstycket eller klingan fastnar, stäng av geringssågen. Vänta tills alla rörliga delar stannat och koppla från kontakten från strömkällan och/eller ta bort batteripaketet. Därefter kan du avlägsna det material som har fastnat.** Att fortsätta säga med ett arbetsstycke som har fastnat kan leda till förlust av kontroll eller skada på geringssågen.
18. **När du har kapat färdigt, släpp knappen, håll nere såghuvudet och vänta tills klingan har stannat innan du tar bort den kapade delen.** Att sträcka in handen nära den roterande klingan är farligt.
19. **Använd endast sågklingor med den diameter som finns markerad på verktyget eller angiven i handboken.** Om en sågklinga med fel storlek används kan det påverka skyddet för sågklingan eller skyddets funktion vilket kan resultera i allvarlig personskada.
20. **Använd endast sågblad som är märkta med ett maximalt varvtal som är lika med eller högre än varvtalet som är märkt på maskinen.**
21. **Använd inte sågen för att säga andra material än de som specificeras.**
22. **(Endast för länder i Europa) Använd alltid blad som överensstämmer med EN847-1 när du sågar i trä och liknande material.**

Ytterligare instruktioner

1. **Barnsäkra arbetsplatsen med hänglås.**
2. **Stå aldrig på maskinen.** Allvarlig skada kan uppstå om maskinen välter eller om du oavsiktligt kommer i kontakt med skärverktyget.
3. **Lämna aldrig maskinen obevakad när den är igång. Bryt strömmen. Lämna inte maskinen förrän den har stannat helt.**
4. **Använd inte sågen om inte skydden är på plats. Kontrollera att klingskyddet är stängt före varje sågning. Använd inte sågen om klingskyddet kärvar och inte stängs omedelbart. Kila aldrig fast klingskyddet i öppet läge.**
5. **Håll händerna borta från sågklingans väg. Undvik kontakt med roterande sågklingor. De kan fortfarande orsaka allvarliga skador.**
6. **För att minska risken för skada ska vagnen föras tillbaka till den bakersta positionen efter varje tvärsågning.**
7. **Fäst alltid alla rörliga delar innan du bär maskinen.**
8. **Låspinnen eller spärrarmen som låser såghuvudet på plats är endast avsedd att användas vid förvaring eller transport och inte för sågning.**

9. Kontrollera före användning att sågklingan inte är sprucken eller skadad. Byt omedelbart ut en skadad eller sprucken sågklinga. Gummi- och trärester som fastnat på sågklingan hindrar sågningen och ökar risken för bakåtkast. Håll sågklingan ren genom att först ta bort den från sågen och rengör den sedan med ett borttagningsmedel för gummi- och trärester, varmt vatten eller fotogen. Rengör aldrig sågklingan med bensin.
10. Vid skjutsågning kan BAKÅTKAST ske. BAKÅTKAST sker när sågklingan fastnar i arbetsstycket vid sågning och sågklingan tvingas snabbt mot användaren. Detta kan leda till förlust av kontroll och allvarlig personskada. Om sågklingan börjar fastna vid sågning, fortsätt inte såga och släpp genast strömbrytaren.
11. Använd endast flänsar som är avsedda för den här maskinen.
12. Var försiktig så att inte axeln, flänsarna (särskilt monteringsytan) eller bulten skadas. Skador på någon av dessa delar kan medföra att sågklingan förstörs.
13. Se till att bordet är ordentligt fäst, så att det inte rör sig under arbetet. Använd hålen i basen för att fästa sågen i en stabil arbetsplattform eller bänk. Använd ALDRIG maskinen om du måste stå i en obekvämlig position.
14. Se till att spindellåset är öppet innan strömbrytaren slås på.
15. Kontrollera att sågklingan inte vidrör geringskivan i dess lägsta position.
16. Håll stadigt i handtaget. Var uppmärksam på att sågen rör sig något upp och ned under start och stopp.
17. Se till att sågklingan inte är i kontakt med arbetsstycket innan du strömbrytaren slås på.
18. Låt verktyget vara igång en stund innan det används på arbetsstycket. Kontrollera att sågklingan inte vibrerar eller skakar vilket kan innebära att den är felaktigt monterad eller dåligt balanserad.
19. Stanna maskinen omedelbart om du lägger märke till något onormalt.
20. Försök inte att låsa avtryckaren i läge "PA".
21. Använd alltid de tillbehör som rekommenderas i denna bruksanvisning. Opassande tillbehör som till exempel sliprondeller kan orsaka skada om de används.
22. Vissa material kan innehålla giftiga kemikalier. Se till att du inte andas in dammet eller får något på huden. Följ anvisningarna i leverantörens materialsäkerhetsblad.

Ytterligare säkerhetsanvisningar vid användning av lampan

1. Titta inte in i ljuset eller direkt in i ljuskällan.

SPARA DESSA ANVISNINGAR.

⚠️ WARNING: GLÖM INTE att också fortsättningsvis strikt följa säkerhetsanvisningarna för maskinen även efter att du blivit van att använda den. Vid FELAKTIG HANTERING av maskinen eller om inte säkerhetsanvisningarna i denna bruksanvisning följs kan följden bli allvarliga personsador.

BESKRIVNING AV DELAR

► Fig.2

1	Inställningsskruv (för nedre gränslåset)	2	Stopparm	3	Damppåse	4	Tumskruv (för skjutning av vagn)
5	Pekare (för vinkel för vinkelsågning)	6	Vinkelskala	7	Skjutstång	8	Vertikal tving
9	Skjutbart anhäng	10	0° inställningsbult (för vinkel för vinkelsågning)	11	Anhäng	12	Bottenplatta
13	Geringskiva	14	Skala för geringsvinkel	15	Pekare (för geringsvinkel)	16	Spårbädd
17	Inställningsbult (för geringskiva)	18	Låsspak (för geringskiva)	19	Handtag (för geringskiva)	20	Dammuppsamlingskydd
21	Klingskydd	22	Lampa	23	Handtag (för drift)	24	Avtryckare
25	Hål för hänglås	26	Startspärr	27	Bärhandtag	-	-

► Fig.3

1	Lampknapp	2	Spindellås	3	Inställningsbult (för maximal sågningskapacitet)	4	Låstapp (för upphöjning av vagn)
5	Fixeringsplatta	6	Insexnyckel	7	45° inställningsbult (för vinkel för vinkelsågning)	8	Spak (för vinkel för vinkelsågning)
9	Frikopplingsknapp (för vinkel för vinkelsågning)	-	-	-	-	-	-

INSTALLATION

Bänkmontage

⚠ VARNING: Se till att maskinen inte kan röra sig på stödytan. Om geringssågen rör sig på stödytan medan du sågar kan det leda till att du tappar kontrollen över maskinen och att allvarlig personskada uppstår.

1. Fäst basen på en jämn och stabil yta, med hjälp av bultarna. Detta förhindrar att verktyget välter och orsakar skada.

► **Fig.4:** 1. Bult 2. Monteringshål

2. Vrid inställningsbulten medurs eller moturs så att den kommer i kontakt med golvytan, för att maskinen skall stå stabilt.

► **Fig.5:** 1. Inställningsbult

FUNKTIONSBSKRIVNING

⚠ VARNING: Se alltid till att maskinen är avstängd och nätsladden utdragen innan du justerar eller funktionskontrollerar maskinen. I annat fall kan det leda till möjlig allvarlig personskada vid en oavsiktlig start.

Handtagslås

⚠ FÖRSIKTIGT: Håll alltid i handtaget när du lossar på låstappen. Annars fjädrar handtaget upp vilket kan leda till personskada.

När verktyget levereras är handtaget låst i nedsänkt läge av låstappen. Lås upp handtaget genom att dra i låstappen samtidigt som du sänker handtaget något.

► **Fig.6:** 1. Låstapp

Skjutlås

Lossa tumskruven på armen för att göra det möjligt att skjuta vagnen. Lås vagnens skjutrörelse genom att flytta vagnen till önskat läge och sedan dra åt tumskruven ordentligt.

► **Fig.7:** 1. Tumskruv 2. Arm

Klingskydd

⚠ VARNING: Blockera aldrig och avlägsna aldrig klingskyddet eller fjädern som sitter på klingskyddet. Ett blockerat klingskydd kan resultera i att cirkelsågbladet exponeras vilket kan leda till allvarlig personskada under användningen.

⚠ VARNING: Använd aldrig verktyget om klingskyddet eller fjädern är skadade, trasiga eller borttagna. Att använda verktyget med ett skadat, trasigt eller borttaget skydd kan leda till allvarlig personskada.

⚠ FÖRSIKTIGT: Håll alltid klingskyddet i ett bra skick för säker användning. Avbryt arbete omedelbart om klingskyddet inte fungerar som det ska. Kontrollera även att fjädern gör att klingskyddet går tillbaka.

När handtaget sänks ned, höjs klingskyddet automatiskt. Klingskyddet är försett med en fjäder så att det går tillbaka till ursprungsläget när sågningen är avslutad och handtaget höjs.

► **Fig.8:** 1. Klingskydd

Rengöring

Om det genomskinliga klingskyddet blir smutsigt, eller om sågspån fastnar på det så att cirkelsågbladet och/eller arbetsstycket inte längre syns bra, ska nätsladden dras ut och skyddet rengöras noga med en fuktig trasa. Använd inte lösningsmedel eller petroleumbaserade rengöringsmedel på plastskyddet då det kan skada skyddet. Följ instruktionerna steg för steg för att förbereda för rengöring.

1. Se till att verktyget är avstängt och nätsladden utdragen.

2. Vrid insexbulten som håller fast mitthöjlet moturs med hjälp av den medföljande insexnyckeln.

3. Lyft på klingskyddet och mitthöjlet.

4. När du har rengjort färdigt sätter du tillbaka mitthöjlet och drar åt insexbulten genom att utföra ovanstående steg i omvänd ordning.

► **Fig.9:** 1. Insexnyckel 2. Insexbult 3. Mitthöjle 4. Klingskydd

⚠ VARNING: Ta inte bort det fjäderupphängda klingskyddet. Om klingskyddet blir skadat p.g.a. UV-ljus eller genom slitage kontaktar du ett Makita servicecenter för att få ett nytt klingskydd. **KLINGSKYDDET FÅR ALDRIG BLOCKERAS ELLER TAS BORT.**

Inställning av spårbäddar

Detta verktyg är utrustad med spårbädden infälld i geringsskivan, för att göra slitaget vid utgången av sågningen så minimalt som möjligt. Spårbädden är fabriksinställd så att cirkelsågbladet inte kommer i kontakt med den. Ställ in spårbädden på följande sätt före användning:

1. Se till att nätsladden till verktyget är utdragen.

Lossa sedan alla skruvarna (tre skruvar vardera på vänster och höger sida) som håller fast spårbäddarna.

► **Fig.10:** 1. Spårbädd 2. Skruv

2. Dra endast åt dem så pass att spårbäddarna fortfarande lätt kan flyttas för hand.

3. Sänk ner handtaget helt och lås handtaget i det nedsänkta läget med låstappen.

4. Lossa tumskruven på armen som säkrar vagnens skjutrörelse.

Dra vagnen mot dig helt och hållet.

► **Fig.11:** 1. Tumskruv 2. Arm

5. Justera spårbäddarna så att de är nära sidorna på sågklingans tänder.

► **Fig.12**

► **Fig.13:** 1. Cirkelsågblad 2. Bladtänder 3. Spårbädd 4. Vänster vinkelsåg 5. Rak vinkelsåg

- Dra åt de främre skruvarna (dra inte åt hårt).
- Skjut vagnen till ett läge mellan den främre änden av spårbäddarna och anhällen. Justera spårbäddarna så att de är nära sidorna på sågklingans tänder.
- Dra åt mittensskruvarna (dra inte åt hårt).
- Skjut vagnen helt mot anhällen och justera sedan spårbäddarna så att de är nära sidorna på sågklingans tänder.
- Dra åt de bakre skruvarna (dra inte åt hårt).
- Dra ur låstappen för handtagsslåset och höj handtaget. Dra sedan åt alla skruvar ordentligt.

OBSERVERA: Försäkra dig om att spårbäddarna är korrekt justerade efter att du ställt in vinkeln för vinkelsågning. Korrekt justering av spårbäddarna ger ordentligt stöd för arbetsstycket och minimerar risken för att arbetsstycket nöts sönder.

Upprätthållande av maximal sågkapacitet

Detta verktyg är fabriksinställt för maximal sågkapacitet för ett 216 mm cirkelsågblad.

När ett nytt cirkelsågblad monteras måste cirkelsågbladets lägsta position alltid kontrolleras, och om det är nödvändigt justeras enligt följande:

- Dra ur verktygets kontakt ur vägguttaget. Skjut sedan vagnen helt mot anhället och sänk handtaget helt och hållet.
- Använd insexnyckeln (skruvmejselsidan) för att vrida på inställningsbulten tills cirkelsågbladet hamnar något nedanför anhällets tvärsektion och geringsskivans övre yta.
► **Fig.14:** 1. Inställningsbult 2. Anhäll
► **Fig.15**
- Rotera cirkelsågbladet för hand samtidigt som du håller ner handtaget hela vägen, och kontrollera att cirkelsågbladet inte kommer i kontakt med någon del av den undre bottenplattan. Justera vid behov den maximala sågkapaciteten igen.

⚠ VARNING: Efter monteringen av ett nytt cirkelsågblad och med nätsladden till verktyget utdragen, måste du alltid kontrollera att cirkelsågbladet inte kommer i kontakt med någon del av den undre bottenplattan när handtaget sänks ner helt. Om cirkelsågbladet kommer i kontakt med basen kan det orsaka bakåtkast och resultera i allvarlig personskada.

► **Fig.16**

Stopparm

Det nedre läget för sågklingan kan enkelt justeras med stopparmen. Justera den nedre gränsen genom att först vrida stopparmen i pilens riktning, såsom visas i figuren. Vrid inställningsskruven så att sågklingan stannar vid önskat läge när handtaget sänks ned hela vägen.

► **Fig.17:** 1. Stopparm 2. Inställningsskruv

Justering av geringsvinkeln

⚠ FÖRSIKTIGT: Fäst alltid geringsskivan genom att dra åt handtaget ordentligt efter ändringen av geringsvinkeln.

OBSERVERA: Lyft handtaget maximalt när geringsskivan vrids.

Rotera handtaget moturs för att låsa upp geringsskivan. Vrid handtaget samtidigt som du håller upp låsspaken för att vrida geringsskivan. Rikta in pekaren med önskad vinkel på skalan för geringsvinkeln och dra sedan åt handtaget.

► **Fig.18:** 1. Låsspak 2. Handtag 3. Pekare

Positiv stoppfunktion

Denna geringssåg har en positiv stoppfunktion. Du kan snabbt ställa in 0°, 15°, 22,5°, 31,6° och 45° höger/vänster geringsvinkel. För att använda denna funktion, flytta geringsskivan nära önskad positiv stoppvinkel samtidigt som du håller upp låsspaken. Släpp därefter låsspaken och flytta geringsskivan till önskad positiv stoppvinkel tills geringsskivan är låst.

Justering av vinkeln vid vinkelsågning

⚠ FÖRSIKTIGT: Fäst alltid armen genom att dra åt spaken medurs efter ändringen av vinkeln för vinkelsågning.

OBSERVERA: Ta alltid bort den vertikala tvingen innan du justerar vinkeln för vinkelsågning.

OBSERVERA: Lyft vagnen maximalt när cirkelsågbladet lutas.

OBSERVERA: Vid ändring av vinklarna för vinkelsågning måste spårbäddarna ställas in ordentligt igen så som beskrivits i avsnittet om att placera spårbäddar.

OBSERVERA: Dra inte åt spaken för hårt. Det kan leda till fel i låsanordningen för vinkeln för vinkelsågning.

Luta cirkelsågbladet 0° – 45° åt vänster

- Vrid spaken moturs.
- Håll handtaget och luta vagnen åt vänster.
- Rikta in pekaren med önskad vinkel på vinkelskalan.
- Dra åt spaken medurs för att fästa armen.

► **Fig.19:** 1. Spak 2. Handtag 3. Pekare 4. Vinkelskala

Luta cirkelsågbladet mer än vänster 0° – 45°

1. Vrid spaken moturs.
2. Håll i handtaget och ställ in vagnen till 0° för höger sida 2°, eller 45° för vänster sida 47°.
3. Luta vagnen något åt motsatt sida.
4. Tryck på frikopplingsknappen.
5. Luta vagnen till önskat läge förbi området 0° – 45°.
6. Dra åt spaken medurs för att fästa armen.

Vid lutning av vagnen till höger 2°

► **Fig.20:** 1. Spak 2. Handtag 3. Frikopplingsknapp

Vid lutning av vagnen till vänster 47°

► **Fig.21:** 1. Spak 2. Handtag 3. Frikopplingsknapp

Avtryckarens funktion

⚠ VARNING: Innan du ansluter maskinen till elnätet måste du kontrollera att avtryckarens funktioner som den ska och återgår till läget "AV" när du släpper den. Tryck inte in avtryckaren hårt utan att ha tryckt in säkerhetsknappen. I annat fall kan avtryckaren skadas. Att använda en maskin med ett felaktigt säkerhetsgrepp kan leda till förlorad kontroll och allvarlig personskada.

⚠ VARNING: Använd ALDRIG maskinen om inte avtryckaren fungerar korrekt. Att använda maskinen när inte avtryckaren fungerar är MYCKET FARLIGT. Reparera den före fortsatt användning, eftersom det annars kan orsaka allvarlig personskada.

⚠ VARNING: Sätt ALDRIG säkerhetsknappens funktion ur spel genom att t.ex. tejpa fast den. I annat fall kan följden bli oavsiktlig aktivering och allvarlig personskada.

⚠ VARNING: Använd ALDRIG verktyget om det startar när du trycker in avtryckaren utan att ha tryckt in säkerhetsknappen. En säkerhetsknapp som behöver repareras kan orsaka oavsiktlig aktivering och allvarlig personskada. Returnera verktyget till ett Makita-servicecenter för reparation INNAN du fortsätter att använda det.

En startspärr förhindrar oavsiktlig aktivering av avtryckaren. Tryck in säkerhetsspärren och tryck därefter in avtryckaren för att starta maskinen. Släpp avtryckaren för att stoppa maskinen.

Avtryckaren är försedd med ett hål för insättning av ett hånglås för att låsa maskinen.

► **Fig.22:** 1. Avtryckare 2. Startspärr 3. Hål för hånglås

⚠ VARNING: Använd inte ett lås med en "nacke" eller kabel som är smalare än 6,35 mm i diameter. En smalare "nacke" eller kabel låser eventuellt inte maskinen i off-läget och oavsiktlig aktivering kan uppstå vilket resulterar i allvarlig personskada.

Skapa en såglinje

⚠ FÖRSIKTIGT: Lampan är inte regnsäker. Lampan får inte tvättas i vatten eller användas i regn eller på våta platser. Det kan leda till elektriska stötar och rökutveckling.

⚠ FÖRSIKTIGT: Vidrör inte lampans lins eftersom den är mycket varm så länge lampan lyser och en stund efter det att den har släckts. Detta kan orsaka brännskador.

⚠ FÖRSIKTIGT: Tillämpa inte våld mot lampan då detta kan skada den eller förkorta dess livslängd.

⚠ FÖRSIKTIGT: Titta inte in i ljuset eller direkt i ljuskällan.

LED-lampan lyser på cirkelsågbladet och en skugga av sågklingan faller på arbetsstycket och ger en kalibreringsfri indikator för såglinjen. Tryck på lampknappen för att belysa. En linje framträder där sågklingan träffar arbetsstyckets yta och blir djupare när sågklingan sänks.
► **Fig.23:** 1. Lampknapp 2. Lampa 3. Såglinje

Indikatorn hjälper till att såga en befintlig såglinje som ritats på arbetsstycket.

1. Håll handtaget och sänk ner cirkelsågbladet så att en kraftig skugga från sågklingan kastas på arbetsstycket.
2. Rikta in den ritade såglinjen på arbetsstycket med skuggan.
3. Justera vid behov geringsvinkeln och vinkeln för vinkelsågning.

OBS: Tryck på lampknappen igen för att släcka lampan efter användning. Annars förblir lampan varm.

MONTERING

⚠ VARNING: Se till att verktyget alltid är fränslaget och att kontakten är urdragen före åtgärder på verktyget. Underlåtenhet att stänga av och koppla ifrån verktyget kan leda till allvarlig personskada.

Förvaring av insexnyckel

Förvara insexnyckeln enligt figuren när den inte används, så att du alltid har den till hands.

► **Fig.24:** 1. Insexnyckel

Montera eller demontera cirkelsågblad

⚠ VARNING: Kontrollera alltid att verktyget är avstängt och att nåtsladden är utdragen före borttagning och montering av cirkelsågbladet. Oavsiktlig start av verktyget kan leda till allvarlig personskada.

⚠ VARNING: Använd endast medföljande insexnyckel från Makita för att demontera och montera cirkelsågbladet. Underlåtenhet att använda nyckeln kan leda till att insexbulten dras åt för mycket eller för lite vilket kan resultera i allvarlig personskada.

⚠ VARNING: Använd aldrig eller byt ut mot delar som inte medföljde denna maskin. Att använda sådana delar kan leda till allvarlig skada.

⚠ VARNING: Kontrollera att cirkelsågbladet sitter ordentligt fast efter att det har monterats. Lösa tillbehör på cirkelsågbladet kan orsaka allvarliga personskador.

Allmänna förberedelser för montering eller borttagning av cirkelsågbladet

1. Lås upp vagnen genom att dra ur låstappen och flytta sedan vagnen till det upphöjda läget.
2. Lossa insexbulten som fäster mitthöljet med insexnyckeln. Lyft på klingskyddet och mitthöljet.
► **Fig.25:** 1. Insexnyckel 2. Insexbult 3. Mitthölje 4. Klingskydd

Montera cirkelsågbladet

⚠ FÖRSIKTIGT: Se till att montera cirkelsågbladet så att pilens riktning på cirkelsågbladet stämmer med den på bladets kåpa. Underlåtenhet att göra det kan leda till personskada och orsaka skada på verktyget och/eller arbetsstycket.

1. Slutför stegen i "Allmänna förberedelser för montering eller borttagning av cirkelsågbladet".
2. Tryck på spindellåset för att låsa spindeln och använd insexnyckeln för att lossa på insexbulten genom att vrida den medurs. Ta sedan bort insexbulten, den yttre flänsen och cirkelsågbladet.
► **Fig.26:** 1. Insexbult (vänstergångad) 2. Yttre fläns 3. Spindellås
3. Montera cirkelsågbladet försiktigt på innerflänsen. När sågklingan monteras är det viktigt att se till att pilens riktning på cirkelsågbladets yta stämmer överens med pilens riktning på bladets kåpa.
► **Fig.27:** 1. Pil
4. Montera den yttre flänsen och insexbulten. Dra ordentligt åt insexbulten (vänstergångad) moturs med hjälp av insexnyckeln samtidigt som du håller ner spindellåset.
► **Fig.28:** 1. Insexbult (vänstergångad) 2. Yttre fläns 3. Cirkelsågblad 4. Ring 5. Innerfläns 6. Spindel
► **Fig.29:** 1. Insexbult (vänstergångad) 2. Yttre fläns 3. Spindellås

5. Sätt tillbaka klingskyddet och mitthöljet i dess ursprungliga läge. Dra sedan åt insexbulten på mitthöljet för att fästa det.

Sänk ner vagnen och kontrollera att klingskyddet rör sig som det ska.

- **Fig.30:** 1. Insexnyckel 2. Insexbult 3. Mitthölje 4. Klingskydd

Ta bort cirkelsågbladet

1. Slutför stegen i "Allmänna förberedelser för montering eller borttagning av cirkelsågbladet".
2. Tryck in spindellås för att låsa spindeln. Lossa insexbulten medurs med insexnyckeln. Ta sedan bort insexbulten, den yttre flänsen och cirkelsågbladet.
► **Fig.31:** 1. Insexbult (vänstergångad) 2. Yttre fläns 3. Spindellås
3. Om den inre flänsen tas bort, montera den på spindeln med dess bladmonteringsdel vänd mot cirkelsågbladet. Om flänsen inte monteras korrekt kommer den att skava mot maskinen.
► **Fig.32:** 1. Insexbult (vänstergångad) 2. Yttre fläns 3. Cirkelsågblad 4. Ring 5. Innerfläns 6. Spindel

OBSERVERA: Var försiktig så att du inte tappar bort den borttagna yttre flänsen och insexbulten.

Ansluta en dammsugare

Anslut en dammsugare från Makita när du vill ha rent under sågningen.

OBSERVERA: Beroende på vilken typ av dammsugare och slang som används kan dammuppsamlingsporten blockeras av dammuppsamlingskyddet vilket gör det omöjligt att samla upp dammet. Sänk i så fall dammsugarens sugkraft.

- **Fig.33:** 1. Dammuppsamlingskydd

Damppåse

⚠ FÖRSIKTIGT: När du utför en sågning, fäst då alltid damppåsen eller anslut en dammsugare för att förebygga dammrelaterade risker.

Användning av en damppåse ger ett rent sågarbete och förenklar uppsamlingen av damm. Anslut damppåsen till dammunstycket för att fästa damppåsen.

- **Fig.34:** 1. Damppåse 2. Dammunestycke

Ta bort damppåsen från verktyget när den är cirka halvfyll och dra ut plastlåset. Töm damppåsen på dess innehåll och knacka på den lätt för att ta bort partiklar som har fastnat på insidan, vilka kan hindra fortsatt uppsamling.

- **Fig.35:** 1. Plastlås

Fastsättning av arbetsstycke

⚠ VARNING: Det är ytterst viktigt att alltid fästa arbetsstycket korrekt med rätt typ av tving. I annat fall kan det leda till allvarlig personskada och orsaka skada på maskinen och/eller arbetsstycket.

⚠ VARNING: Lyft aldrig sågklingan förrän den har stannat helt efter sågningen. Om en roterande sågklinga höjs kan det leda till allvarlig personskada och skada på arbetsstycket.

⚠ VARNING: När du sågar ett arbetsstycke som är längre än geringssågens stödyta ska hela arbetsstycket stödjas på samma höjd för att vara i nivå, även den del som befinner sig utanför sågens stödyta. Ett korrekt stöd av arbetsstycket hjälper till att undvika att klingan nyper fast och ett eventuellt bakåtkast vilket kan leda till allvarlig personskada. Lita inte helt på att den vertikala tvingen håller fast arbetsstycket. Tunna material kan tyngas ner. Stötta hela arbetsstyckets längd för att undvika att klingan nyper fast och eventuellt orsakar ett BAKÅTKAST.

► Fig.36: 1. Stöd 2. Geringsskiva

Anhåll

⚠ VARNING: Kontrollera att det skjutbara anhållet är ordentligt sitter ordentligt fast med spännskraven innan du använder verktyget.

⚠ VARNING: Se till före vinkelsågningen att ingen del av verktyget, särskilt cirkelsågbladet, kommer i kontakt med anhållen när handtaget sänks ner eller höjs upp helt och när vagnen skjuts framåt eller dras bakåt hela vägen. Om verktyget eller cirkelsågbladet kommer i kontakt med anhållet kan detta resultera i bakåtkast eller oväntad rörelse av material och allvarlig personskada.

Detta verktyg är utrustat med ett skjutbart anhåll. Vid vinkel-sågning åt vänster, lossa spännskraven och flytta det skjutbara anhållet så att det inte hindrar vagnens rörelse. Säkra det skjutbara anhållet genom att dra åt spännskraven.

► Fig.37: 1. Skjutbart anhåll 2. Anhåll 3. Spännskrav

Vertikal tving

⚠ VARNING: Arbetsstycket måste fästas säkert mot geringsskivan och anhållet med tvingen under all användning. Om arbetsstycket inte är korrekt fastsatt mot anhållet kan arbetsstycket röra sig under sågarbetet och orsaka möjlig skada på sågklingan och att arbetsstycket kastas iväg samt att du förlorar kontroll över maskinen vilket leder till allvarlig personskada.

Den vertikala tvingen kan monteras i hålen på vänster sida av basen, höger sida av basen eller vänster sida av bottenplattan. Tryck arbetsstycket plant mot anhållet och geringsskivan. Placera arbetsstycket i önskat sågläge och fäst det stadigt genom att dra åt tvingens ratt.

Se till att ingen del av verktyget kommer i kontakt med den vertikala tvingen när handtaget sänks hela vägen ner. Om någon del kommer i kontakt med den vertikala tvingen ställer du om den.

► Fig.38: 1. Hål 2. Tvingens ratt

Bottenplatta

⚠ VARNING: Stöd alltid ett långt arbetsstycke så att det är på samma nivå som geringsskivans ovansida för att få ett exakt sågresultat och för att förhindra att du förlorar kontrollen över maskinen. Detta för att undvika att klingan nyper fast och ett eventuellt bakåtkast vilket kan leda till allvarlig personskada.

⚠ VARNING: Innan kapning ska du alltid se till att bottenplattorna är ordentligt fastsatta med tumskruvarna.

För att hålla fast långa arbetsstycken horisontella sitter bottenplattor på båda sidorna av verktyget. Lossa på tumskruvarna och förläng bottenplattorna till lämplig längd för att hålla arbetsstycket. Dra sedan åt tumskruvarna.

► Fig.39: 1. Bottenplatta 2. Tumskruv

Vid sågning ska arbetsstycket placeras plant mot anhållen.

► Fig.40: 1. Anhåll 2. Bottenplatta

ANVÄNDNING

Denna maskin är avsedd för att såga i träprodukter. Med lämpliga sågblad från Makita går det även att såga i följande material:

— Aluminiumprodukter

Se vår hemsida eller kontakta din lokala Makita-återförsäljare för korrekt cirkelsågblad som används med det material som ska kapas.

⚠ VARNING: Kontrollera att sågklingan inte är i kontakt med arbetsstycket eller något annat innan strömbrytaren slås på. Om verktyget slås på när sågklingan är i kontakt med arbetsstycket kan det leda till bakåtkast och allvarlig personskada.

⚠ VARNING: Lyft aldrig sågklingan förrän den har stannat helt efter sågningen. Om en roterande sågklinga höjs kan det leda till allvarlig personskada och skada på arbetsstycket.

⚠ VARNING: Utför inga inställningar på verktyget som att vrida på handtag, ratt eller spakar när sågklingan roterar. Inställningar när sågklingan roterar kan leda till allvarliga personskador.

⚠ FÖRSIKTIGT: Lossa inte såghuvudet okontrollerat från den nedfälda positionen. Ett okontrollerat såghuvud kan komma att träffa dig och orsaka personskada.

OBSERVERA: Se innan användning till att låsa upp låstappen och lossa handtaget från den nedre positionen.

OBSERVERA: Tryck inte för mycket på handtaget vid kapningen. Detta kan leda till att motorn överbelastas och/eller försämrad sågning. Tryck endast ner handtaget så mycket som behövs för att sågningen ska löpa smidigt utan att sågklingans hastighet minskar signifikant.

OBSERVERA: Tryck försiktigt ner handtaget för att såga. Om handtaget trycks ner hårt eller i sidled kommer sågklingan att vibrera vilket ger sågmärken i arbetsstycket samtidigt som sågprecisionen försämras.

OBSERVERA: Vid skjutsågning skall vagnen försiktigt skjutas mot anhållet utan att stoppa. Om vagnens rörelser upphör under sågningen lämnas ett märke på arbetsstycket och precisionen i snittet minskar.

Sågning genom tryck

⚠ VARNING: Läs alltid vagnens skjutande rörelse när du utför sågning genom skjutning. Sågning utan att låsa kan leda till bakåtkast vilket kan orsaka allvarlig personskada som följd.

Arbetsstycken som är upp till 65 mm höga och 80 mm breda kan sågas på följande sätt.

1. Tryck vagnen mot anhållet tills den stannar och lås den med tumskraven.
2. Fäst arbetsstycket med rätt sorts tving.
3. Starta verktyget utan att cirkelsågbladet vidrör arbetsstycket och vänta tills cirkelsågbladet uppnår full hastighet innan det sänks.
4. Sänk sedan handtaget försiktigt tills det har sänkts helt, för att såga arbetsstycket.
5. Stäng av verktyget när sågningen är avslutad och vänta tills cirkelsågbladet har stannat helt, innan cirkelsågbladet återförs till sitt helt uppfällda läge.

► Fig.41: 1. Tumskrav

Sågning genom skjutning (sågning av breda arbetsstycken)

⚠ VARNING: Vid skjutsågning ska du först dra vagnen fullständigt mot dig och trycka ner handtaget till dess helt nedsänkta läge. Skjut sedan vagnen mot anhållet. Börja aldrig sågningen om vagnen inte är dragen fullständigt mot dig. Om skjutsågning utförs utan att du dragit vagnen helt mot dig kan ett bakåtkast uppstå med risk för allvarlig personskada.

⚠ VARNING: Försök aldrig att utföra en skjut-sågning genom att dra vagnen mot dig. Att dra vagnen mot dig medan du sågar kan orsaka bakåtkast vilket resulterar i möjlig personskada.

⚠ VARNING: Utför aldrig skjutsågning med handtaget låst i det nedsänkta läget.

1. Lossa tumskraven så att vagnen kan skjutas fritt.
 2. Fäst arbetsstycket med rätt sorts tving.
 3. Dra vagnen mot dig helt och hållet.
 4. Starta verktyget utan att cirkelsågbladet vidrör något och vänta tills sågklingan uppnår full hastighet.
 5. Tryck ner handtaget och skjut vagnen mot anhållet och genom arbetsstycket.
 6. Stäng av verktyget när sågningen är avslutad och vänta tills sågklingan har stannat helt innan sågklingan återförs till sitt helt uppfällda läge.
- Fig.42: 1. Tumskrav

Geringssågning

Se avsnittet för justering av geringsvinkeln.

Vinkelsågning

⚠ VARNING: Efter inställning av sågklingan för vinkelsågning och innan du börjar arbeta med verktyget, ska du se till att vagnen och sågklingan har fri väg genom hela skåret. Vagns- eller klingavbrott under sågningen kan orsaka bakåtkast och allvarlig personskada.

⚠ VARNING: Håll händerna borta från sågklingans såglinje när du utför en vinkelsågning. Sågklingans vinkel och den verkliga såglinjen kan förvirra användaren under sågningen och kontakt med sågklingan orsakar allvarlig personskada.

⚠ VARNING: Sågklingan ska aldrig lyftas förrän den har stannat helt. Under vinkelsågning kan det avsågade stycket ligga kvar mot sågklingan. Om sågklingan lyfts upp medan den roterar kan det avsågade stycket kastas ut av sågklingan och orsaka att material fragmenteras vilket kan resultera i allvarlig personskada.

OBSERVERA: När du trycker ner handtaget ska du trycka i samma riktning som sågklingan lutar. Om tryck appliceras vinkelrätt mot geringsskivan eller om tryckets riktning ändras under pågående sågning minskar precisionen i sågningen.

1. Ställ in det skjutbara anhållet till vänster för att förhindra att det kommer i kontakt med vagnen.
 2. Läs upp låstappen och lossa tumskraven på armen så att vagnen kan höjas och skjutas fritt.
 3. Ställ in vinkeln för vinkelsågningen enligt proceduren som förklaras i avsnittet för justering av vinkelsågning. Dra sedan åt handtaget.
 4. Fäst arbetsstycket med en tving.
 5. Dra vagnen mot dig helt och hållet.
 6. Starta verktyget utan att cirkelsågbladet vidrör något och vänta tills cirkelsågbladet uppnår full hastighet.
 7. Sänk sedan handtaget försiktigt till dess helt nedsänkta läge medan tryck parallellt med cirkelsågbladet appliceras och skjut vagnen mot anhållet för att såga arbetsstycket.
 8. Stäng av verktyget när sågningen är avslutad och vänta tills cirkelsågbladet har stannat helt innan sågklingan återförs till sitt helt uppfällda läge.
- Fig.43

Kombinationssågning

Kombinationssågning är en process där vinkelsågning utförs i kombination med att en geringsvinkel sågas i ett arbetsstycke. Kombinationsågning kan utföras vid vinkel som visas i tabellen nedan.

Geringsvinkel	Vinkel för vinkelsågning
Vänster och höger 0° - 45°	Vänster 0° - 45°

Se avsnitten sågning genom tryck, sågning genom skjutning, geringsågning och vinkelsågning när du vill utföra kombinationssågning.

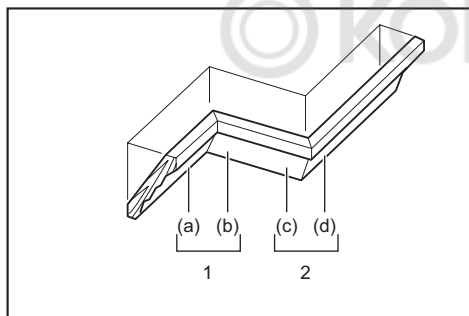
Sågning av kron- och hållister

Kron- och hållister kan sågas på en kap- och geringskombinationssåg med listerna placerade plant på geringssskivan.

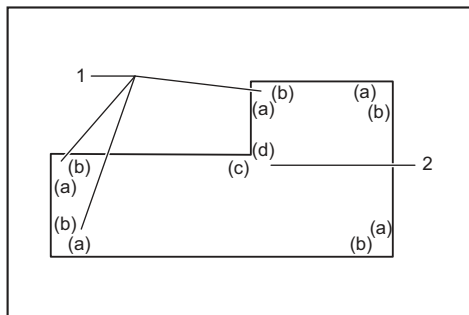
Det finns två vanliga sorter av kronlister och en sort av hållist; 52/38° väggvinklad kronlist, 45° väggvinklad kronlist och 45° väggvinklad hållist.

► **Fig.44:** 1. Kronlist med 52/38° 2. Kronlist med 45° 3. Hållist med 45°

Det finns kron- och hållistskarvar som är gjorda för att passa på "insidan" av 90° hörn ((a) och (b) i figuren) och "utsidan" av 90° hörn ((c) och (d) i figuren).



1. På insida av hörn 2. På utsida av hörn



1. På insida av hörn 2. På utsida av hörn

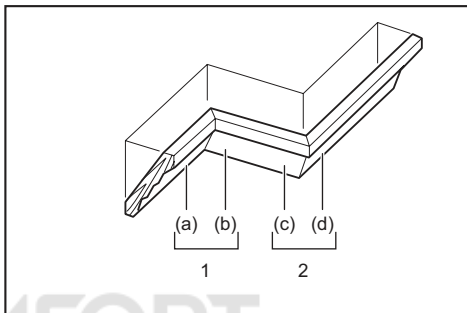
Mätning

Mät väggens bredd och justera arbetsstyckets bredd enligt den. Se alltid till att bredden på arbetsstyckets väggkontaktyta är lika lång som väggens bredd.

► **Fig.45:** 1. Arbetsstycke 2. Väggens bredd 3. Arbetsstyckets bredd 4. Väggkontaktyta

Använd alltid flera bitar för testsågning för att kontrollera sågvinkeln. Vid sågning av kron- och hållister ska vinkeln för vinkelsågning och geringsvinkeln ställas in såsom anges i tabell (A) och listerna placeras på sågbordet såsom visas i tabell (B).

Vid vänsterställd vinkelsågning



1. På insida av hörn 2. På utsida av hörn

Tabell (A)

-	Listposition i figuren	Vinkel för vinkelsågning		Geringsvinkel	
		52/38°-typ	45°-typ	52/38°-typ	45°-typ
För insida av hörn	(a)	Vänster 33,9°	Vänster 30°	Höger 31,6°	Höger 35,3°
	(b)			Vänster 31,6°	Vänster 35,3°
För utsidan av hörn	(c)			Höger 31,6°	Höger 35,3°
	(d)				

Tabell (B)

-	Listposition i figuren	Listkant mot anhållet	Färdigt stycke
För insida av hörn	(a)	Takkkontaktyta bör ligga mot anhållet.	Det färdiga arbetsstycket hamnar på vänster sida om cirkelsågbladet.
	(b)	Väggkontaktyta bör ligga mot anhållet.	
För utsidan av hörn	(c)		Det färdiga arbetsstycket hamnar på höger sida om cirkelsågbladet.
	(d)	Takkkontaktyta bör ligga mot anhållet.	

Exempel:

Vid sågning av kronlist med 52/38° för position (a) i figuren ovan:

- Luta och fäst vinkeln vid 33,9° LEFT (VÄNSTER).
- Justera och fäst geringsvinkeln vid 31,6° RIGHT (HÖGER).
- Lägg kronlisten med dess breda baksida (dold) ner mot geringssskivan med TAKKANTEN mot anhållet på sågen.
- Den färdiga biten som ska användas är alltid på VÄNSTER sida om cirkelsågbladet efter det att sågningen är avslutad.

Sågning av aluminiumstycken

Använd klossar eller träbitar när ett aluminiumstycke skall fästas, såsom visas i figuren, för att förhindra att aluminiumstycket deformeras. Använd sågolja vid sågningen i aluminium, för att förhindra att aluminiummaterialet fastnar och lagras på cirkelsågbladet.

⚠ VARNING: Försök aldrig såga tjocka eller runda aluminiumstycken. Tjocka eller runda aluminiumstycken kan vara svåra att fästa och kan lossa under arbetet vilket kan leda till att du tappar kontrollen över maskinen och allvarlig skada uppstår.

- **Fig.46:** 1. Tving 2. Distanskloss 3. Anhåll
4. Aluminiumstycke 5. Distanskloss

Upprepad sågning av samma längd

Dra upp fixeringsplattan enligt figuren vid sågning av flera stycken av samma längd inom ett storleksområde på mellan 225 mm till 350 mm.

Säkra arbetsstycket i läget för sågning. Skjut den högra bottenplattan så att fixeringsplattan ligger an jämnt mot änden av arbetsstycket. Säkra sedan bottenplattan med tumskruven.

- **Fig.47:** 1. Fixeringsplatta 2. Tumskruv

Spårsågning

⚠ VARNING: Försök inte utföra denna typ av sågning genom att använda en bredare (tjockare) klinga eller en dadoklinga. I annat fall kan det leda till oväntade sågresultat och möjligt bakåtkast vilket kan resultera i allvarlig personskada.

⚠ VARNING: Se noga till att stopparmen återförs till det ursprungliga läget vid annan sågning än spårsågning. Att försöka såga med stopparmen i fel läge kan leda till oväntade sågresultat och bakåtkast vilket kan resultera i allvarlig personskada.

Gör följande för sågning med dadoklinga:

1. Justera cirkelsågbladets lägsta position genom att vrida på inställningsskruven och stopparmen för att ställa in cirkelsågbladets sågdjup. Se avsnittet för stopparmen.
2. Såga parallella spår tvärs över arbetsstyckets hela bredd genom skjutsågning (trycksågning), efter att cirkelsågbladets nedre gränsläge justerats.

- **Fig.48:** 1. Fräsa spår med sågklingan

3. Avlägsna sedan materialet mellan spåren på arbetsstycket med ett stämjärn.

Bära maskinen

Se till att verktygets strömladd är utdragen och att alla rörliga delar på verktyget är fastsatta innan du bär verktyget. Kontrollera alltid följande:

- Att verktygets strömladd är utdragen.
- Att vagnen är i 0° vinkel och säkrad.
- Att vagnen är nedsänkt och låst.
- Att vagnen har skjutits mot dig hela vägen och är låst.
- Att geringsskivan är mot den högra geringsvinkeln och säkrad.

Bär verktyget genom att hålla i bärhandtaget och ena sidan av basen eller genom att hålla i båda sidorna av verktygets bas.

- **Fig.49**

- **Fig.50**

⚠ VARNING: Låstappen för upphöjning av vagnen används endast när verktyget ska bäras, förvaras och ställas in och inte när sågning utförs. Att använda låstappen vid sågarbeten kan leda till oavsiktlig rörelse av cirkelsågbladet vilket orsakar bakåtkast och allvarlig personskada.

⚠ FÖRSIKTIGT: Fäst alltid alla rörliga delar innan du bär verktyget. Om delar av verktyget rör sig eller glider medan du bär den kan du förlora kontrollen eller balansen över verktyget vilket kan leda till personskada.

⚠ FÖRSIKTIGT: Se till att upphöjningen av vagnen är ordentligt låst i sitt nedre läge med låstappen. Om låstappen inte är fullständigt låst kan vagnen plötsligt hoppa upp och orsaka personskada.

UNDERHÅLL

⚠ VARNING: Se alltid till att maskinen är avstängd och nätkabeln utdragen innan inspektion eller underhåll utförs. I annat fall kan det leda till möjlig allvarlig personskada vid en oavsiktlig start.

⚠ VARNING: Se alltid till att sågklingan är vass och ren för bästa möjliga resultat. Att försöka såga med en slö och/eller smutsig sågklinga kan orsaka bakåtkast och resultera i allvarlig personskada.

OBSERVERA: Använd inte bensin, förtunningsmedel, alkohol eller liknande. Missfärgning, deformation eller sprickor kan uppstå.

För att upprätthålla produktens SÄKERHET och TILLFÖRLITLIGHET bör allt underhålls- och justeringsarbete utföras av ett auktoriserat Makita servicecenter och med reservdelar från Makita.

Inställning av sågvinkeln

Maskinen är noga inställd och inriktad på fabriken, men ousamsam hantering kan påverka detta. Om maskinen inte är korrekt riktad gör du på följande sätt:

Geringsvinkel

1. Lås vagnen i det nedsänkta läget med låstappen. Tryck vagnen mot anhållet och dra åt tumskruvet för att fästa vagnen.

2. Ställ geringskivaren i läget 0° med den positiva stoppfunktionen. (Lämna som det är om pekaren inte indikerar 0°.)

3. Lossa insexbultarna som fäster anhållet med insexnyckeln.

► **Fig.51:** 1. Låstapp 2. Tumskruv 3. Insexbultar

4. Rikta in sågklingans sida vinkelrätt med anhållets yta med en vinkelinjal eller vinkelhake. Dra sedan åt insexbultarna på anhållet ordentligt i ordning från höger sida.

► **Fig.52:** 1. Anhåll 2. Vinkelhake

5. Om pekaren inte pekar på 0° lossar du skruven som fäster pekaren och justerar pekaren så att den pekar på 0°.

► **Fig.53:** 1. Skruv 2. Pekare 3. Gerings skala

Vinkel för vinkelsågning

0° vinkel för vinkelsågning

1. Lås vagnen i det nedsänkta läget med låstappen. Tryck vagnen mot anhållet och dra åt tumskruvet för att fästa vagnen.

2. Lossa spaken. Vrid sedan inställningsbulten för 0° två eller tre varv moturs för att luta cirkelsågbladet åt höger.

► **Fig.54:** 1. Spak 2. Inställningsbult för 0°

3. Justera noggrant sågklingans sida och geringskivans ovansida i rätt vinkel med en vinkelhake, vinkelinjal etc. genom att vrida inställningsbulten för 0° medurs. Dra därefter åt spaken ordentligt för att säkra den 0°-vinkel som du ställt in.

► **Fig.55:** 1. Vinkelhake 2. Sågklinga
3. Geringskivans ovansida

4. Om pekaren inte pekar på 0° lossar du skruven som fäster pekaren och justerar den så att den indikerar 0°.

► **Fig.56:** 1. Skruv 2. Pekare 3. Vinkelskala

45° vinkel för vinkelsågning

OBSERVERA: Innan justering av 45°-vinkeln för vinkelsågning, avsluta först justeringen av 0°-vinkeln för vinkelsågning.

1. Dra åt tumskruvet för att fästa vagnen.

2. Lossa spaken. Luta sedan vagnen hela vägen åt vänster.

► **Fig.57:** 1. Tumskruv 2. Spak

3. Kontrollera om pekaren indikerar 45°-läget på vinkelskalan.

Om pekaren inte indikerar 45°-position, rikta in den med 45°-positionen genom att vrida inställningsbulten för 45°.

► **Fig.58:** 1. Inställningsbult för 45°

Byte av kolborstar

Ta bort och kontrollera kolborstarna regelbundet. Byt ut dem när de är slitna ner till slitmarkeringen. Håll kolborstarna rena så att de lätt kan glida in i hållarna. Båda kolborstarna bör bytas ut samtidigt. Använd endast identiska kolborstar.

► **Fig.59:** 1. Gränsmarkering

Använd en skruvmejsel för att ta bort locken till kolborstarna. Ta ur de utslitna kolborstarna, montera de nya och sätt tillbaka locken.

► **Fig.60:** 1. Lock till kolborstar

Efter användning

Ta bort de spån och det damm som har fastnat på maskinen med en tygduk eller liknande efter att arbetet är avslutat. Se till att du håller klingskyddet rent, i enlighet med de anvisningar som tidigare beskrivits i avsnittet med titeln "Klingskydd". Smörj in de rörliga delarna med maskinolja för att förhindra rostbildning.

VALFRIA TILLBEHÖR

⚠️WARNING: Dessa tillbehör eller tillsatser från Makita rekommenderas för användning med den Makita-maskin som denna bruksanvisning avser. Om andra tillbehör eller tillsatser används kan det resultera i allvarig personskada.

⚠️WARNING: Använd endast tillbehören eller tillsatserna från Makita för de syfte de är avsedda för. Felaktig hantering av tillbehör eller delar kan leda till allvarig personskada.

Kontakta ditt lokala Makita servicecenter om du behöver ytterligare information om dessa tillbehör.

- Sågklinga av stål med hårdmetallspetsar
- Vertikal tving
- Damppåse
- Vinkelhake
- Insexnyckel
- Stativsats

OBS: Några av tillbehören i listan kan vara inkluderade i maskinpaketet som standardtillbehör. De kan variera mellan olika länder.

TEKNISKE DATA

Modell:		LS0816F
Bladdiameter		216 mm
Hulldiameter	Land i Europa	30 mm
	Land utenfor Europa	25,4 mm or 30 mm (landsesifikk)
Sagbladets maks. snittykkelse		2,8 mm
Maks gjæringsvinkel		Venstre 47°, høyre 47°
Maks skjæringsvinkel		Venstre 47°, høyre 2°
Hastighet uten belastning (o/min)		5 000 min ⁻¹
Mål (L x B x H)		476 mm x 705 mm x 521 mm
Nettovekt		13,9 kg
Sikkerhetsklasse		□/II

- På grunn av vårt kontinuerlige forsknings- og utviklingsprogram kan spesifikasjonene som oppgis i dette dokumentet endres uten varsel.
- Spesifikasjonene kan variere fra land til land.
- Vekt i henhold til EPTA-prosedyre 01/2014

Skjæreegenskaper (H x B) med ø 216 mm sagblad

Gjæringsvinkel	Skjæringsvinkel		
	45° (venstre)	0°	2° (høyre)
0°	36 mm x 305 mm	65 mm x 305 mm	60 mm x 305 mm
45° (venstre og høyre)	36 mm x 215 mm	65 mm x 215 mm	-

Symboler

Nedenfor ser du symbolene som kan brukes for dette utstyret. Forviss deg om at du forstår hva de betyr, før du begynner å bruke maskinen.

	Les bruksanvisningen.
	DOBBEL ISOLERING
	Bruk vernebriller.
	Etter at du har skåret, bør du holde sagen ned helt til sagbladet stopper, for å unngå skade fra flyvende rester.
	Når du utfører glidekutt, må du først dra føreanlegget helt og trykke ned håndtaket. Trykk deretter føreanlegget mot føeringsflaten.
	Ikke plasser hender eller fingre i nærheten av sagbladet.
	Juster skyvevernene godt unna sagbladet og sagbladvernet.
	Ikke stirre på driftslampen.



Kun for EU-land

På grunn av forekomst av farlige komponenter i utstyret, kan brukt elektrisk og elektronisk utstyr ha en negativ innvirkning på miljøet og menneskers helse. Ikke kast elektriske og elektroniske apparater sammen med husholdningsavfall! I samsvar med det europeiske direktivet om avfall fra elektrisk og elektronisk utstyr og dettes tilpasning til nasjonal lovgivning, skal brukt elektrisk og elektronisk utstyr samles inn separat og leveres til et eget innsamlingssted for kommunalt avfall, som driver virksomhet i samsvar med miljøvernforordningene. Dette er angitt av symbolet med den overkryssede avfallsbeholderen som er plassert på utstyret.

Riktig bruk

Dette verktøyet er laget for nøyaktig og rett gjæringsing i tre. Med de riktige sagbladene, kan også aluminium sages. Du finner mer informasjon i avsnittet om BRUK.

Strømforsyning

Maskinen må bare kobles til en strømkilde med samme spenning som vist på typeskiltet, og kan bare brukes med enfase-vekselstrømforsyning. Den er dobbelt verneisoleret og kan derfor også brukes fra kontakter uten jording.

Støy

Typisk A-vektet lydtrykknivå er bestemt i henhold til EN62841-3-9:

Lydtrykknivå (L_{pA}): 91 dB (A)

Lydeffektnivå (L_{WA}): 102 dB (A)

Usikkerhet (K): 3 dB (A)

MERK: Den/de oppgitte verdi(e) for genererte vibrasjoner har blitt målt i henhold til standard testmetoder, og kan bli brukt til å sammenligne ett verktøy med et annet.

MERK: Den/de angitte verdi(e) for de genererte vibrasjonene kan også brukes til en foreløpig vurdering av eksponeringen.

⚠ ADVARSEL: Bruk hørselsvern.

⚠ ADVARSEL: De genererte vibrasjonene ved faktisk bruk av elektroverktøyet kan avvike fra den/de angitte vibrasjonsverdi(e), avhengig av hvordan verktøyet brukes.

⚠ ADVARSEL: Sørg for å identifisere vernetiltak for å beskytte operatøren, som er basert på et estimat av eksponeringen under de faktiske bruksforholdene (idet det tas hensyn til alle deler av driftssyklusen, dvs. hvor lenge verktøyet er slått av, hvor lenge det går på tomgang og hvor lenge startbryteren faktisk holdes trykket).

Samsvarserklæring

Gjelder kun for land i Europa

Samsvarserklæringene er lagt til som vedlegg A i denne bruksanvisningen.

SIKKERHETSADVARSEL

Generelle advarsler angående sikkerhet for elektroverktøy

⚠ ADVARSEL Les alle sikkerhetsadvarsler, instruksjoner, illustrasjoner og spesifikasjoner som følger med dette elektroverktøyet. Hvis ikke alle instruksjonene nedenfor følges, kan det føre til elektrisk støt, brann og/eller alvorlig personskade.

Oppbevar alle advarsler og instruksjoner for senere bruk.

Uttrykket «elektrisk verktøy» i advarslene refererer både til elektriske verktøy (med ledning) tilkoblet strømnettet, og batteridrevne verktøy (uten ledning).

Sikkerhet på arbeidsplassen

1. **Hold arbeidsplassen ren og godt opplyst.** Rotete og mørke områder fører lett til uhell.
2. **Ikke bruk elektriske verktøy i eksplosive atmosfærer, f.eks. i nærheten av brennbare væsker, gasser eller støv.** Elektriske verktøy avgir gnister som kan antenne støv eller gasser.
3. **Hold barn og tilskuere unna når du bruker et elektrisk verktøy.** Distraksjoner kan få deg til å miste kontrollen over verktøyet.

Elektrisk sikkerhet

1. **Støpslene til elektriske verktøy må passe til det aktuelle strømnettaket.** Støpset må aldri endres eller modifiseres på noen måte. **Ikke bruk adapterstøpsler til jordete elektriske verktøy.** Ikke-modifiserte støpsler og passende kontakter reduserer risikoen for elektriske støt.
2. **Unngå kroppskontakt med jordete overflater, som rør, radiatorer, komfyrer og kjøleskap.** Hvis kroppen din er jordet, er det større fare for at du får elektrisk støt.
3. **Ikke utsett elektriske verktøy for regn eller fuktighet.** Hvis det kommer vann inn i et elektrisk verktøy, vil det øke faren for elektrisk støt.
4. **Ikke utsett strømkabelen for feilaktige belastninger.** Kabelen må aldri brukes til å bære, trekke eller koble fra det elektriske verktøyet. Hold strømkabelen unna varme, olje, skarpe kanter og bevegelige deler. Ødelagte eller sammenfiltrede kabler øker faren for elektriske støt.
5. **Når du bruker et elektrisk verktøy utendørs, må du bruke en skjøteledning som egner seg til utendørs bruk.** Med en skjøteledning som er beregnet på utendørs bruk kan du redusere faren for elektriske støt.
6. **Hvis bruk av elektrisk verktøy i fuktige omgivelser ikke er til å unngå, må du bruke en strømforsyning som er beskyttet med en reststrømdrevet enhet (RCD).** Bruk av RCD reduserer faren for elektriske støt.
7. **Det anbefales alltid å bruke en strømforsyning via en RCD med en merkereststrøm på 30 mA eller mindre.**
8. **Elektroverktøy kan skape elektromagnetiske felt (EMF) som ikke er skadelige for brukeren.** Brukere av pacemaker og annet tilsvarende medisinsk utstyr bør imidlertid kontakte produsenten av utstyret og/eller legen før de bruker dette elektroverktøyet.
9. **Ikke berør nettpluggen med våte hender.**
10. **Hvis ledningen er ødelagt, må den skiftes ut av produsenten eller dennes representant for å unngå en sikkerhetsfare.**

Personlig sikkerhet

1. **Vær årvåken, følg med på det du gjør og bruk sunn fornuft når du bruker elektriske verktøy.** Du må aldri bruke elektriske verktøy når du er trett eller under påvirkning av narkotika, alkohol eller medikamenter. Et øyeblikks uoppmerksomhet kan være nok til å forårsake alvorlige helseskader.
2. **Bruk personlig verneutstyr.** Bruk alltid beskyttelsesbriller. Verneutstyr som for eksempel støvmaske, sklisliske vernesko, hjelm og hørselsvern reduserer faren for personskader når det brukes riktig.
3. **Unngå utilsiktet start.** Pass på at bryteren er i «AV»-stilling før du kobler maskinen til et strømnett eller batteripakken, og før du tar det opp eller begynner å bære maskinen. Hvis du bærer elektroverktøy med fingeren på bryteren eller kobler strøm til et verktøy med bryteren i på-stilling, kan dette lett føre til ulykker.

4. **Fjern eventuelle justeringsnøkler og skrunøkler før du slår på det elektriske verktøyet.** En skrunøkkel eller sekskantnøkkel som legges igjen på en roterende del av verktøyet kan forårsake helseskader.
5. **Ikke len deg over verktøyet. Pass alltid på at du holder balansen og har godt fotfeste.** På denne måten får du bedre kontroll over det elektriske verktøyet i uventede situasjoner.
6. **Bruk riktig arbeidstøy. Ikke bruk løse klær eller smykker. Hold hår og klær unna bevegelige deler.** Løse klær, smykker og langt hår kan sette seg fast i bevegelige deler.
7. **Hvis støvavsug og utstyr for støvoppsamling er tilgjengelig, må disse være tilkoblet og brukes riktig.** En støvoppsamler kan redusere støvrelaterte farer.
8. **Ikke la det at du er erfaren i bruk av verktøy gjøre at du blir for selvsikker og dermed overser viktige sikkerhetsprinsipper.** En uforsiktig handling kan medføre personskade på en brøkdell av et sekund.
9. **Bruk alltid vernebriller for å beskytte øynene mot skade når du bruker elektroverktøy. Brillene må oppfylle kravene i ANSI Z87.1 i USA, EN 166 i Europa eller AS/NZS 1336 i Australia/New Zealand. I Australia/New Zealand er det dessuten lovpålagt å bruke et ansiktsvern for å beskytte ansiktet.**



Det er arbeidsgivers ansvar å påse at verktøyoperatørene og alle andre personer i arbeidsområdets umiddelbare nærhet bruker riktig verneutstyr.

Bruk og vedlikehold av elektrisk verktøy

1. **Ikke bruk makt på det elektriske verktøyet. Bruk riktig elektrisk verktøy for formålet.** Riktig elektrisk verktøy vil gjøre jobben bedre og sikrere i den hastigheten det er konstruert for.
2. **Ikke bruk det elektriske verktøyet hvis det ikke kan slås på og av med startbryteren.** Et hvilket som helst elektrisk verktøy som ikke kan kontrolleres med startbryteren er farlig og må repareres.
3. **Trekk støpselet ut av stikkkontakten og/eller ta batteriet ut av elektroverktøyet, hvis det kan tas ut, før du foretar eventuelle justeringer, skifter tilbehør eller setter elektroverktøy til oppbevaring.** Slike forebyggende sikkerhetstiltak reduserer faren for at elektroverktøyet skal starte utilsiktet.

4. **Elektriske verktøy som ikke er i bruk skal oppbevares utilgjengelig for barn. Ikke la personer som ikke kjenner det elektriske verktøyet eller disse instruksjonene bruke det.** Elektrisk verktøy er farlig i hendene på uopplærte brukere.
5. **Vedlikehold av elektroverktøy og tilbehør. Kontroller om deler er dårlig tilpasset hverandre, om bevegelige deler sitter fast, om noen deler er brukt eller om andre omstendigheter vil kunne påvirke bruken av elektroverktøyet.** Hvis elektroverktøyet er skadet, må det repareres før bruk. Mange ulykker skyldes dårlig vedlikeholdt elektroverktøy.
6. **Hold skjæreverktøy skarpe og rene.** Korrekt vedlikeholdt skjæreverktøy med skarpe skjærekanter har mindre risiko for å sette seg fast og er enklere å kontrollere.
7. **Bruk det elektriske verktøyet, tilbehør og verktøybits osv. i henhold til disse instruksjonene, mens du tar hensyn til arbeidsforholdene og arbeidet som skal utføres.** Det kan oppstå farlige situasjoner hvis det elektriske verktøyet brukes til andre formål enn det er laget for.
8. **Hold håndtakene og gripeflatene tørre, rene og frie for olje og smørefett.** Glatte håndtak og gripeflater gjør verktøyet vanskelig å håndtere og kontrollere dersom det skulle oppstå noe uventet.
9. **Ikke bruk stoffhansker som kan vikles seg inn i verktøyet.** Hvis stoffhansker vikler seg inn i de bevegelige delene, kan det føre til personskader.

Service

1. **La en kvalifisert reparatør utføre service på det elektriske verktøyet ditt, og se til at vedkommende kun bruker originale reservedeler.** Dette vil opprettholde sikkerheten til det elektriske verktøyet.
2. **Følg instruksjonene for smøring og skifting av tilbehør.**

Sikkerhetsanvisninger for gjærings-sager

1. **Gjærings-sager er beregnet på saging av tre eller treaktige produkter. De må ikke brukes med kappeskiver med slipeeffekt for å sage materialer som f.eks. stenger, stolper, nagler, osv.** Slipestøv får bevegelige deler, som f.eks. det nedre vernet, til å kile seg. Gnister fra slipende saging vil brenne det nedre vernet, snittinnsatsen og andre plastdeler.
2. **Bruk klemmer for å holde arbeidsstykket på plass så sant det er mulig. Hvis du holder arbeidsstykket med hånden, må du alltid holde hånden minst 100 mm unna hver side av sagbladet. Ikke bruk denne sagen til å sage stykker som er for små til å festes godt med klemmer eller holdes med hånden.** Hvis du holder hånden for nær sagbladet, øker faren for skade som følge av kontakt med bladet.
3. **Arbeidsstykket må være i ro og holdes fast med klemmer eller hånden både mot anleggsflaten og bordet. Ikke mat arbeidsstykket inn i bladet eller sag på "frihånd".** Arbeidsstykker som ligger løst eller beveger seg kan kastes tilbake i høy hastighet og forårsake skader.

4. **Skyv saken gjennom arbeidsstykket. Ikke dra saken gjennom arbeidsstykket. Når du skal sage, hever du saghodet og drar det ut over arbeidsstykket uten å sage, starter motoren, presser saghodet ned og skyver saken gjennom arbeidsstykket.** Hvis du sager samtidig som du drar, vil sagbladet mest sannsynlig bevege seg oppå arbeidsstykket og slynge bladenheten mot operatøren med voldsom kraft.
 5. **Du må aldri krysse hånden over den tiltenkte skjærelinjen, verken foran eller bak sagbladet.** Å holde arbeidsstykket "med hendene i kryss", dvs. at du holder arbeidsstykket til høyre for sagbladet med venstrehånden eller motsatt, er svært farlig.
 - **Fig.1**
 6. **Ikke strekk hånden nærmere enn 100 mm fra hver side av sagbladet bak anleggsflaten for å fjerne rester av tre – eller av noen som helst annen grunn – mens bladet sviver.** Det er ikke sikkert at du merker hvor nær hånden er det svivende sagbladet, og du kan bli alvorlig skadet.
 7. **Undersøk arbeidsstykket før du sager. Hvis arbeidsstykket er bøyd eller vridd, klemmer du det med den utvendige buede flaten mot anleggsflaten. Pass alltid på at det ikke noen avstand mellom arbeidsstykket, anleggsflaten og bordet langs skjærelinjen.** Bøye eller vridde arbeidsstykker kan vri eller flytte på seg, og det kan føre til at arbeidsstykket setter seg fast i det svivende sagbladet under saging. Det må ikke være spiker eller fremmedlegemer i arbeidsstykket.
 8. **Ikke bruk saken før bordet er fritt for alt verktøy, alle rester av tre, osv. unntatt arbeidsstykket.** Små rester, løse trebiter eller andre gjenstander som kommer i kontakt med det roterende bladet, kan bli kastet tilbake i høy hastighet.
 9. **Du må kun sage ett arbeidsstykke om gangen.** Det er umulig å klemme eller holde fast flere arbeidsstykker som er stablet oppå hverandre tilstrekkelig, og de kan sette seg fast i bladet eller bevege seg under saging.
 10. **Sørg for at gjæringssagen er montert eller plassert på en jevn, fast arbeidsflate før bruk.** En jevn og fast arbeidsflate reduserer faren for at gjæringssagen blir ustabil.
 11. **Planlegg arbeidet. Hver gang du endrer skrå- eller gjæringvinkelen, må du sørge for at den justerbare anleggsflaten er stilt riktig inn for å holde arbeidsstykket uten at den kommer i konflikt med bladet eller vernesystemet.** Uten å slå på verktøyet og uten arbeidsstykket på bordet, beveger du sagbladet gjennom en fullstendig simulert skjæring for å sikre at det ikke vil oppstå konflikt eller fare for å sage i anleggsflaten.
 12. **Sørg for tilstrekkelig støtte som bordforlenger, sagkrakker, osv. hvis arbeidsstykket er bredere eller lengre enn bordplaten.** Arbeidsstykker som er lengre eller bredere enn gjæringssagbordet kan vippe hvis de ikke har tilstrekkelig støtte. Hvis stykket som er saget av eller arbeidsstykket vipper, kan det nedre vernet bli løftet opp eller kastet tilbake av det svivende bladet.
 13. **Ikke bruk en annen person som erstatning for en bordforlenger eller som ekstra støtte.** Hvis ikke arbeidsstykket støttes tilstrekkelig, kan det føre til at bladet setter seg fast eller at arbeidsstykket flytter seg under sagingen, slik at du og medhjelperen din blir trukket inn i det svivende bladet.
 14. **Stykket som er saget av må ikke på noen måte kiles eller presses mot det svivende sagbladet.** Hvis stykket som er saget av blir klemt inne, dvs. av lengdestoppere, kan det treffe bladet og bli kastet tilbake med voldsom kraft.
 15. **Bruk alltid en klemme eller et festeelement som er beregnet på å holde runde materialer som stenger eller rør.** Stenger har en tendens til å rulle når de sages, slik at bladet "biter seg fast" og trekker arbeidsstykket og hendene dine inn i bladet.
 16. **La bladet nå fullhastighet før du setter det i kontakt med arbeidsstykket.** Dette reduserer faren for at arbeidsstykket kastes tilbake.
 17. **Hvis arbeidsstykket eller bladet kiler seg, må du slå av gjæringssagen. Vent til alle bevegelige deler har stanset, og trekk støpselet ut av stikkkontakten og/eller ta ut batteriet. Deretter fjerner du det fastkilede materialet.** Hvis du fortsetter å sage når et arbeidsstykke har kilt seg, kan du miste kontrollen eller skade gjæringssagen.
 18. **Når du er ferdig å sage, slipper du bryteren, holder saghodet nede, og venter til bladet stanser før du tar bort stykket som er saget av.** Det er farlig å bevege hånden i nærheten av det rullende bladet.
 19. **Bruk bare sagbladet med diameteren som er merket på verktøyet eller spesifisert i håndboken.** Bruk av et sagblad med feil størrelse kan påvirke riktig beskyttelse av sagbladet eller bruk av bladvernet, noe som kan resultere i alvorlig personskade.
 20. **Bruk bare sagbladene som er merket med en hastighet som er lik eller høyere enn hastigheten som er merket på verktøyet.**
 21. **Ikke bruk saken til å skjære andre materialer enn de som er spesifisert.**
 22. **(Gjelder kun for land i Europa)
Bruk alltid bladet som overholder EN847-1 ved skjæring av tre eller lignende materialer.**
- Ekstra anvisninger**
1. **Gjør verkstedet barnesikkert med hengelåser.**
 2. **Du må aldri stå på verktøyet.** Hvis verktøyet vipper eller ved utilsiktet kontakt med skjæreverktøyet, kan det oppstå alvorlig personskade.
 3. **La aldri verktøyet svive uten tilsyn. Slå av strømmen. Ikke forlat verktøyet før det har stanset helt opp.**
 4. **Ikke bruk verktøyet uten at vernet er på plass. Kontroller at det nedre vernet er ordentlig lukket før bruk. Ikke begynn å bruke saken hvis det nedre vernet ikke beveger seg fritt og lukker seg momentant. Bladvernet må aldri klemmes fast eller bindes opp i åpen stilling.**
 5. **Hold hendene unna sagbladets bane. Unngå kontakt med rullende sagblader. Det kan føre til alvorlig personskade.**
 6. **Før sleden helt tilbake i bakre stilling etter hver fullførte sageoperasjon for å redusere faren for personskade.**

7. Sikre alle bevegelige deler før du flytter verktøyet.
 8. Stopperstiften eller stopperspaken som låser skjærehodet ned er kun til for løfting eller oppbevaring og ikke for å sage.
 9. Før du begynner å bruke verktøyet, må du kontrollere nøye at sagbladet ikke har sprekker eller andre skader. Bytt ut sprukne eller skadde sagblader øyeblikkelig. Harpiks og bek som størkner på sagbladene, reduserer turtallet på sagen og øker risikoen for tilbakeslag. Hold sagbladet rent ved først å ta det av verktøyet og deretter gjøre det rent med en harpiks- og bekfjerner, varmt vann eller parafin. Bruk aldri bensin når du skal rengjøre sagbladet.
 10. Når du bruker uttrekksfunksjonen for å kappe et arbeidsstykke, kan TILBAKESLAG forekomme. TILBAKESLAG skjer når sagbladet setter seg fast i arbeidsstykket under saging, og sagbladet slås raskt tilbake mot operatøren. Dette kan føre til manglende kontroll og alvorlig personskade. Hvis sagbladet begynner å sette seg fast under saging, må du straks slippe bryteren og stanse arbeidet.
 11. Bruk bare flenser som er spesifisert for dette verktøyet.
 12. Pass på å ikke skade akselen, flensene (spesielt installeringsoverflaten) eller bolten. Skade på disse delene kan føre til at sagbladet brekker.
 13. Forsikre deg om at dreiefoten er sikret skikkelig, slik at den ikke kan forskyve seg under bruk. Fest saken til en stabil arbeidsplattform eller benk ved hjelp av hullene i foten. Du må ALDRI bruke verktøyet hvis du står ubekvemt.
 14. Forsikre deg om at spindellåsen er av før du slår på bryteren.
 15. Forsikre deg om at sagbladet ikke er i kontakt med dreiefoten i den laveste stillingen.
 16. Hold hendelen godt fast. Vær oppmerksom på at sagen går litt opp og ned når den startes og stoppes.
 17. Forviss deg om at sagbladet ikke er i kontakt med arbeidsstykket før du slår på bryteren.
 18. La verktøyet gå en liten stund før du begynner å bruke det på et arbeidsstykke. Se etter vibrasjoner eller vingling som kan tyde på at sagbladet er dårlig balansert.
 19. Hvis du merker at noe er uvanlig, må du stanse arbeidet omgående.
 20. Ikke forsøk å låse avtrekkeren i PA-stillingen.
 21. Bruk alltid tilbehør anbefalt i denne håndboken. Bruk av upassende tilbehør som rue hjul kan føre til personskade.
 22. Enkelte materialer inneholder kjemikalier som kan være giftige. Vis forsiktighet for å forhindre hudkontakt og innånding av støv. Følg leverandørens sikkerhetsanvisninger.
- Ytterligere sikkerhetsregler for driftslampen
1. Ikke se direkte på lyset eller lyskilden.

TA VARE PÅ DISSE INSTRUKSENE.

⚠ ADVARSEL: IKKE LA hensynet til hva som er "behagelig" eller det faktum at du kjenner produktet godt (etter mange gangers bruk) gjøre deg mindre oppmerksom på sikkerhetsreglene for bruken av det aktuelle produktet. Ved MISBRUK eller hvis ikke sikkerhetsreglene i denne bruksanvisningen følges, kan det oppstå alvorlig personskade.

DELEBESKRIVELSE

► Fig.2

1	Justeringskrue (for nedre grenseposisjon)	2	Stopperarm	3	Støvpose	4	Fingerskrue (for skyving av sleden)
5	Peker (for skråvinkel)	6	Skråvinkelskala	7	Glidestang	8	Vertikal skrustikke
9	Skyveflate	10	Justeringsbolt for 0° (for skråvinkel)	11	Føringsflate	12	Underfot
13	Dreiefot	14	Gjæringsvinkelskala	15	Peker (for gjæringsvinkel)	16	Snittplate
17	Justeringsbolt (for dreiefot)	18	Låsespak (for dreiefot)	19	Grep (for dreiefot)	20	Beskyttelseskappe med støvoppsamler
21	Bladvern	22	Lampe	23	Håndtak (for bruk)	24	Starbryter
25	Hull for hengelås	26	AV-sperreknapp	27	Bærehåndtak	-	-

► Fig.3

1	Lampebryter	2	Spindellås	3	Justeringskrue (for maksimal skjærekapasitet)	4	Anslagsstift (for heving av sleden)
5	Innstillingsplate	6	Sekskantnøkkel	7	Justeringsbolt for 45° (for skråvinkel)	8	Spak (for skråvinkel)
9	Utløserknapp (for skråvinkel)	-	-	-	-	-	-

MONTERING

Montere benk

⚠ADVARSEL: Pass på at maskinen ikke beveger seg på opplagerflaten. Hvis gjæringssagen beveger seg på opplagerflaten mens du kutter, kan du miste kontroll over sagen og risikere alvorlige personskader.

1. Fest foten til en jevn og stabil overflate ved å skru den fast med boltene. Dette bidrar til å unngå velt og personskader.

► **Fig.4:** 1. Bolt 2. Monteringshull

2. Drei justeringsskruen med eller mot klokken slik at den kommer i kontakt med gulvet for å holde sagen stabil.

► **Fig.5:** 1. Justeringsskrue

FUNKSJONSBEKRIVELSE

⚠ADVARSEL: Forviss deg alltid om at verktøyet er slått av og støpselet trukket ut av kontakten før du justerer verktøyet eller kontrollerer at det fungerer som det skal. Hvis verktøyet ikke er avslått og koblet fra strømmettet, kan det utilsikket bli startet opp og forårsake alvorlige personskader.

Håndtakslås

⚠FORSIKTIG: Hold alltid håndtaket når du slipper anslagsstiften. Ellers vil håndtaket sprette, og dette kan føre til personskade.

Når verktøyet sendes fra fabrikk, er håndtaket låst i senket stilling med anslagsstiften. Håndtaket låses opp ved å trekke i anslagsstiften samtidig som håndtaket senkes litt.

► **Fig.6:** 1. Anslagsstift

Skyvelås

Løsne fingerskruen på armen for å gi rom for sledens glidebevegelse. Hvis du vil låse sledens glidende bevegelse, flytter du sleden til ønsket posisjon og strammer fingerskruen godt.

► **Fig.7:** 1. Fingerskrue 2. Arm

Bladvern

⚠ADVARSEL: Bladvernet eller fjæren som er festet til vernet skal aldri fjernes eller settes ut av funksjon. Hvis vernet er satt ut av funksjon slik at et sirkelsagblad er utildekt, kan det oppstå alvorlige personskader når sagen er i bruk.

⚠ADVARSEL: Bruk aldri verktøyet hvis bladvernet eller fjæren er skadet, defekt eller demontert. Hvis verktøyet brukes når vernet er skadet, defekt eller er fjernet, kan det oppstå alvorlige personskader.

⚠FORSIKTIG: Hold alltid bladvernet i god stand for sikker bruk. Stans driften umiddelbart hvis det er hvis det oppstår feil i bladvernet. Kontroller at fjæren går tilbake til utgangsposisjon.

Når du senker håndtaket, heves bladvernet automatisk. Bladvernet er fjærelastet og går tilbake til opprinnelig stilling når kuttingen er fullført og håndtaket heves.

► **Fig.8:** 1. Bladvern

Rengjøring

Hvis det gjennomskitige bladvernet blir skittent, eller sagflis fester seg til det gjennomskitige bladvernet slik at sirkelsagbladet og/eller arbeidsstykket ikke lenger er godt synlig, kobler du fra verktøyet og rengjør vernet forsiktig med en fuktig klut. Ikke bruk løsemidler eller bensinbaserte rengjøringsmidler på plastvernet, da dette kan skade vernet.

Følg de trinnvise anvisningene nedenfor for å klargjøre for rengjøring.

1. Pass på at verktøyet er slått av og stikkkontakten er dratt ut.

2. Drei sekskantskruen mot klokken ved bruk av den medfølgende sekskantnøkkelen mens du holder midtdekselet.

3. Løft bladvernet og midtdekselet.

4. Når rengjøringen er ferdig, må du sette midtdekselet tilbake på plass og stramme til sekskantskruen, ved å utføre trinnene ovenfor i motsatt rekkefølge.

► **Fig.9:** 1. Sekskantnøkkel 2. Sekskantbolt 3. Midtdeksel 4. Bladvern

⚠ADVARSEL: Ikke ta av fjæren som holder bladvernet. Hvis vernet blir skadet etter som tiden går, eller på grunn av UV-lys, kan du få et nytt på et Makita servicecenter. **VERNET SKAL ALDRI FJERNES ELLER SETTES UT AV FUNKSJON.**

Plassere snittplater

Verktøyet tilveiebringes med snittplatene i dreiefoten, for å redusere slitasje på utgangssiden av et kutt til et minimum. Snittplatene er fabrikkjustert slik at sirkelsagbladet ikke kommer i kontakt med snittplatene. Før bruk må du justere snittplatene på følgende måte:

1. Sørg for at støpselet er trukket ut. Løsne deretter alle skruene (tre hver på høyre og venstre side) som holder snittplatene.

► **Fig.10:** 1. Snittplate 2. Skrue

2. Stram dem igjen akkurat så mye at skjæreplatene fortsatt kan beveges lett for hånd.

3. Senk håndtaket helt og lås håndtaket i nedre stilling med anslagsstiften.

4. Løsne fingerskruen på armen som sikrer sledens glidebevegelse.

Trekk sleden helt mot deg.

► **Fig.11:** 1. Fingerskrue 2. Arm

5. Juster snittplatene slik at de er i nærheten av sidene på sagbladtennene.

► Fig.12

► Fig.13: 1. Sirkelsagblad 2. Bladtenner 3. Snittplate 4. Venstre skråskjæring 5. Rett snitt

6. Stram de fremre skruene (ikke hardt).

7. Skyv sleden til posisjonen mellom førenden av snittplatene og føringsflatene. Juster snittplatene slik at de er i nærheten av sidene på sagbladtennene.

8. Stram de midtre skruene (ikke hardt).

9. Skyv sleden helt mot føringsflatene, og juster snittplatene slik at de er i nærheten av sidene på sagbladtennene.

10. Stram de bakre skruene (ikke hardt).

11. Løsne anslagsstiften for håndtakslås, og hev håndtaket. Deretter strammer du alle skruene godt.

OBS: Når du har stilt inn skråvinkelen, må du sikre at snittplatene er riktig justert. Når skjæreplattene er korrekt justert, vil dette bidra til å gi arbeidstykket riktig støtte og holde det bedre på plass.

Vedlikeholde maksimal skjærekapasitet

Dette verktøyet er fabrikkjustert for å gi maksimal skjærekapasitet for et sirkelsagblad på 216 mm.

Når du monterer et nytt sirkelsagblad, må du alltid sjekke nedre grenseposisjon for sirkelsagbladet og justere det på følgende måte ved behov:

1. Koble verktøyet fra strømmettet. Skyv deretter sleden mot føringsflaten, og senk håndtaket helt.

2. Bruk sekskantnøkkelen (skrutrekkersiden) til å skru justeringsskruen til sirkelsagbladet kommer litt under tverrsnittet av føringsflaten og overflaten av dreiefoten.

► Fig.14: 1. Justeringsskrue 2. Føringsflate

► Fig.15

3. Roter sirkelsagbladet for hånd, mens du holder håndtaket helt ned for å forsikre deg om at sirkelsagbladet ikke berører noen deler av den nedre foten. Juster den maksimale skjærekapasiteten ved behov.

⚠ ADVARSEL: Når du har satt inn et nytt sirkelsagblad og verktøyet er koblet fra strøm, må du passe på at sirkelsagbladet ikke berører noen del av den nedre foten når håndtaket er trukket helt ned. Hvis sirkelsagbladet berører foten, kan det oppstå tilbakeslag. Dette kan føre til alvorlig personskade.

► Fig.16

Stopperarm

Nedre grensestilling for sagbladet kan justeres på en enkel måte med stopperarmen. Hvis du vil justere den nedre grensen, dreier du stopperarmen i pilretningen som vist i figuren. Drei justeringsskruen slik at sagbladet stopper i ønsket stilling når du senker håndtaket helt.

► Fig.17: 1. Stopperarm 2. Justeringsskrue

Justere gjæringsvinkelen

⚠ FORSIKTIG: Når du har endret gjæringsvinkelen, må du alltid sikre dreiefoten ved å stramme grepet godt.

OBS: Når du dreier dreiefoten, må du heve håndtaket helt.

Roter grepet mot klokken for å frigjøre dreiefoten. Beveg dreiefoten ved å dreie grepet mens du holder spørrehendelen oppe. Innrett pekeren i ønsket vinkel på gjæringsvinkelskalaen, og stram deretter grepet.

► Fig.18: 1. Låsespak 2. Grep 3. Peker

Funksjon for fast anslag

Denne gjæringssagen har en funksjon for fast anslag. Du kan raskt stille inn høyre/venstre gjæringsvinkel på 0°, 15°, 22,5°, 31,6° og 45°. Hvis du vil bruke denne funksjonen, beveger du dreiefoten til ønsket vinkel for fast anslag samtidig som du holder låsespaken oppe. Deretter slipper du låsespaken og beveger dreiefoten til ønsket positive stoppvinkel til dreiefoten går i lås.

Justere skråvinkelen

⚠ FORSIKTIG: Når du har endret skråvinkelen, må du alltid sikre armen ved å stramme spaken, med klokken.

OBS: Du må alltid fjerne den vertikale skrustikken før du justerer skråvinkelen.

OBS: Pass på at sleden er helt oppe når du skråstiller sirkelsagbladet.

OBS: Når du endrer skråvinklene, må du reposisjonere snittplatene riktig som forklart i avsnittet om plassering av snittplater.

OBS: Ikke stram spaken for mye. Det kan føre til at skråvinkelens låsemekanisme slutter å fungere som den skal.

Vippe sirkelsagbladet 0°–45° mot venstre

1. Vri spaken mot klokken.

2. Hold i håndtaket og vipp vognen mot venstre.

3. Innrett pekeren i ønsket vinkel på skråvinkelskalaen.

4. Stram spaken med klokken for å feste armen.

► Fig.19: 1. Spak 2. Håndtak 3. Peker 4. Skråvinkelskala

Vippe sirkelsagbladet over 0°–45° mot venstre

1. Vri spaken mot klokken.
2. Hold håndtaket og sett sleden ved 0° for høyre 2° til siden eller 45° for venstre 47° til siden.
3. Vipp sleden litt mot motsatt side.
4. Trykk på utløserknappen.
5. Vipp sleden til ønsket posisjon utenfor området 0°–45°.
6. Stram spaken med klokken for å feste armen.

Når du vipper sleden 2° til høyre

- Fig.20: 1. Spak 2. Håndtak 3. Utløserknapp

Når du vipper sleden 47° til venstre

- Fig.21: 1. Spak 2. Håndtak 3. Utløserknapp

Bryterfunksjon

⚠ ADVARSEL: Før du kobler verktøyet til strømmen, må du alltid kontrollere at startbryteren aktiverer maskinen på riktig måte og går tilbake til "AV"-stilling når den slippes. Ikke dra hardt i startbryteren uten å trykke inn AV-sperreknappen. Det kan føre til at bryteren knekker. Hvis du bruker verktøyet med en bryter som ikke fungerer som den skal, kan du komme til å miste kontrollen, og det kan oppstå alvorlige personskader.

⚠ ADVARSEL: Maskinen må ALDRI brukes uten at startbryteren er i perfekt stand. Det er SVÆRT FARLIG å bruke maskinen når bryteren er defekt. Reparer bryteren før du bruker maskinen. Hvis dette ikke gjøres, er det fare for alvorlig personskade.

⚠ ADVARSEL: ALDRI sett avsperringsknappen ute av funksjon ved å for eksempel teipe over den. En defekt avsperringsknapp kan føre til at maskinen aktiveres utilsiktet og alvorlige personskader kan oppstå.

⚠ ADVARSEL: Maskinen må ALDRI brukes hvis den begynner å gå bare du trykker på startbryteren, uten at du må trykke på avsperringsknappen også. En skadet/defekt bryter kan føre til at maskinen aktiveres utilsiktet og alvorlige personskader kan oppstå. Returner maskinen til et Makita-servicesenter for å få den reparert FØR videre bruk.

For å unngå at noen drar i startbryteren ved en feiltakelse er verktøyet utstyrt med en AV-sperreknapp. For å starte verktøyet må du trykke inn AV-sperreknappen og dra i startbryteren. Slipp startbryteren når du vil stanse verktøyet.

Startbryteren har et hull for feste av en hengelås til å låse verktøyet med.

- Fig.22: 1. Startbryter 2. AV-sperreknapp 3. Hull for hengelås

⚠ ADVARSEL: Ikke bruk lås med bøyلة eller kabel mindre enn 6,35 mm i diameter. En mindre bøyلة eller kabel vil kanskje ikke kunne låse verktøyet i AV-stilling, noe som kan medføre utilsiktet start av verktøyet og alvorlige personskader.

Form en skjærelinje

⚠ FORSIKTIG: Lampen er ikke regntett. Ikke vask lampen i vann eller bruk den i regn eller i et vått område. Dette kan forårsake elektrisk støt og røykutvikling.

⚠ FORSIKTIG: Ikke berør linsen på lampen, da den er veldig varm når den lyser og rett etter at den er slått av. Dette kan forårsake brannskader.

⚠ FORSIKTIG: Ikke utsett lampen for støt, da dette kan skade den eller redusere levetiden.

⚠ FORSIKTIG: Ikke se inn i lyset eller se direkte på lyskilden.

LED-lampen kaster lys over sirkelsagbladet, og en skygge på sagbladet faller ned på arbeidsstykket og fungerer som kalibreringslinje skjærelinjeindikator. Trykk på lampebryteren for å belyse. En linje vises der sagbladet kommer til å møte arbeidsstykkets overflate, linjen blir dypere etter hvert som sagbladet senkes.

- Fig.23: 1. Lampebryter 2. Lampe 3. Skjærelinje

Indikatoren bidrar til å skjære gjennom en eksisterende avskjæringslinje som er tegnet med blyant på et arbeidsstykke.

1. Hold i håndtaket og senk sirkelsagbladet slik at en tett skygge fra sagbladet kastes mot arbeidsstykket.
2. Rett inn en avskjæringslinje tegnet på arbeidsstykket med den skyggelagte skjærelinjen.
3. Juster gjæringsvinklene og skråvinklene om nødvendig.

MERK: Sørg for at du slår av lampebryteren etter bruk. Ellers forblir lampen varm.

MONTERING

⚠ ADVARSEL: Forvis deg alltid om at verktøyet er avslått og koblet fra før du utfører arbeid på verktøyet. Hvis verktøyet ikke slås av og kobles fra, kan det oppstå alvorlige personskader.

Oppbevare sekskantnøkkel

Når sekskantnøkkelene ikke er i bruk, må du oppbevare den som vist i figuren, slik at du ikke mister den.

- Fig.24: 1. Sekskantnøkkel

Montere eller fjerne sirkelsagblad

⚠ ADVARSEL: Forviss deg alltid om at verktøyet er slått av og støpselet er trukket ut av kontakten før du demonterer eller monterer sirkelsagbladet. Hvis verktøyet startes opp utilsiktet, kan det føre til alvorlige personskader.

⚠ ADVARSEL: Bare bruk Makita-nøkkelen som følger til å fjerne og montere sirkelsagbladet. Hvis nøkkelen ikke brukes, kan dette føre til at sekskantbolten strammes for mye eller for lite og dermed til alvorlig personskade.

⚠ ADVARSEL: Aldri bruk eller erstatt deler som ikke er levert med dette verktøyet. Hvis du bruker slike deler kan det føre til alvorlig personskade.

⚠ ADVARSEL: Når sirkelsagbladet er montert, må du alltid forsikre deg om at det sitter godt. Løst tilbehør til sirkelsagbladet kan føre til alvorlig personskade.

Vanlige forberedelser for montering eller demontering av sirkelsagbladet

1. Lås opp sleden ved å dra i anslagsstiften, og flytt deretter sleden til hevet posisjon.
2. Bruk sekskantnøkkelen for å løsne sekskantbolten som holder midtdekslet. Hev deretter bladvernet og midtdekslet.
► **Fig.25:** 1. Sekskantnøkkel 2. Sekskantbolt 3. Midtdeksel 4. Bladvern

Montere sirkelsagbladet

⚠ FORSIKTIG: Sørg for å montere sirkelsagbladet slik at retningen på pilen på sirkelsagbladet samsvarer med pilen på bladkassen. Hvis dette ikke gjøres, kan resultatet bli personskader eller skader på verktøyet og/eller arbeidsstykket.

1. Fullfør trinnene under "Vanlige forberedelser for montering eller demontering av sirkelsagbladet".
2. Trykk på spindellåsen for å låse spindelen, og bruk sekskantnøkkelen til å løsne sekskantbolten (med urviseren). Skru deretter ut sekskantbolten, den ytre flensen og sirkelsagbladet.
► **Fig.26:** 1. Sekskantskrue (venstre) 2. Ytre flense 3. Spindellås
3. Montere sirkelsagbladet forsiktig på den indre flensen. Sørg for at pilretningen på sirkelsagbladet stemmer overens med pilretningen på bladkassen.
► **Fig.27:** 1. Pil
4. Monter den ytre flensen og sekskantbolten. Bruk sekskantnøkkelen til å stramme sekskantbolten (venstrehendt) mot klokken mens du trykker spindellåsen ned.
► **Fig.28:** 1. Sekskantskrue (venstre) 2. Ytre flense 3. Sirkelsagblad 4. Ring 5. Indre flens 6. Spindel
► **Fig.29:** 1. Sekskantskrue (venstre) 2. Ytre flense 3. Spindellås
5. Sett bladvernet og midtdekslet tilbake i utgangsstillingen. Stram deretter sekskantskruen på midtdekslet for å feste det. Senk sleden, og kontroller at bladvernet beveger seg som det skal.
► **Fig.30:** 1. Sekskantnøkkel 2. Sekskantbolt 3. Midtdeksel 4. Bladvern

Fjerne sirkelsagbladet

1. Fullfør trinnene under "Vanlige forberedelser for montering eller demontering av sirkelsagbladet".
2. Trykk på spindellåsen for å låse spindelen. Bruk sekskantnøkkelen og løsne sekskantbolten ved å dreie nøkkelen med klokken. Skru deretter ut sekskantbolten, den ytre flensen og sirkelsagbladet.
► **Fig.31:** 1. Sekskantskrue (venstre) 2. Ytre flense 3. Spindellås
3. Dersom den indre flensen fjernes, monterer du den på spindelen, slik at monteringsdelen for sirkelsagbladet er vendt mot bladet. Hvis flensen er satt i feil, vil den gnisse mot maskinen.
► **Fig.32:** 1. Sekskantskrue (venstre) 2. Ytre flense 3. Sirkelsagblad 4. Ring 5. Indre flens 6. Spindel

OBS: Vær forsiktig slik at du ikke mister den ytre flensen og sekskantbolten.

Koble til støvsuger

Hvis du vil skjære så rent som mulig, kan du koble til en Makita-støvsuger.

OBS: Avhengig av typen støvsuger og slange som brukes, kan det hende at støvoppsamlerporten blokkeres av beskyttelseskappen med støvoppsamler, noe som gjør det umulig å samle opp støv. Hvis dette oppstår, reduserer du sugekraften til støvsugeren.

- **Fig.33:** 1. Beskyttelseskappe med støvoppsamler

Støvpose

⚠ FORSIKTIG: Når du skjærer, skal støvposen eller en støvsuger alltid være tilkoblet for å forhindre støvrelaterte farer.

Bruk av støvposer gjør skjærearbeidet rent og forenkler støvoppsamlingen. Du fester støvposen ved å koble støvposen til støvmunnstykket.

- **Fig.34:** 1. Støvpose 2. Støvmunnstykke

Når støvposen er omtrent halvfull, må du ta den av verktøyet og trekke ut festemekanismen. Tøm støvposen, og bank den forsiktig for å fjerne partikler som har festet seg til innsiden og som kan hindre videre støvoppsamling.

- **Fig.35:** 1. Festemekanisme

Sikre arbeidsemne

⚠ ADVARSEL: Det er uhyre viktig at du alltid sikrer arbeidsstykket korrekt med en passende type skrustikke. Hvis dette ikke gjøres, kan resultatet bli personskader eller skader på maskinen og/eller arbeidsstykket.

⚠ ADVARSEL: Når du er ferdig med å sage, må du ikke løfte sagbladet før det har stanset helt. Hvis du løfter et sagblad som ruller, risikerer du alvorlige skader både på deg selv og arbeidsstykket.

⚠ ADVARSEL: Når du sager et arbeidsstykke som er lengre enn gjæringsens støttefot, må hele lengden av materialet støttes opp forbi støttefoten og på samme høyde for å holde materialet plant. Når arbeidsstykket er godt støttet, er det mindre risiko for farlige tilbakeslag og at bladet kommer i klem. Ikke stol på at bare den vertikale skrustikken sikrer arbeidsstykket. Tynne materialer har en tendens til å gi etter. Støtt arbeidsstykket i hele lengden for å unngå at bladet kommer i klem og at det oppstår TILBAKESLAG.

► Fig.36: 1. Støtte 2. Dreiefot

Føringsflater

⚠ ADVARSEL: Forsikre deg om at skyvevernet er ordentlig festet med klemmeskruen før du betjener verktøyet.

⚠ ADVARSEL: Før du starter med gjærings-saging, må du passe på at ingen deler av verktøyet, særlig sirkelsagbladet, på noe som helst tidspunkt berører anleggsflatene når håndtaket heves/senkes og sleden bevegtes i hele arbeidslengden. Hvis verktøyet eller sirkelsagbladet kommer i kontakt med anleggsflaten, kan det føre til tilbakeslag eller uventet bevegelse av materialet og alvorlig personskade.

Denne sagen er utstyrt med en skyveflate. Når du utfører skråskjæring, løser du klemmeskruen og flytter skyveflaten slik at den ikke kommer i veien for sledens bevegelse. Fest skyveflaten ved å stramme til klemmeskruen.

► Fig.37: 1. Skyveflate 2. Føringsflate
3. Klemmeskruer

Vertikal skrustikke

⚠ ADVARSEL: Arbeidsstykket må sikres godt mot dreiefoten og føringsflaten med skrustikken under alle typer bruk. Hvis arbeidsstykket ikke er godt festet mot anleggsflaten, kan materialet bevege seg under saging. Dette kan gi skader på sagbladet, samt medføre at materialet kastes og du mister kontroll. Resultatet kan bli alvorlige personskader.

Den vertikale skruestikken kan monteres i hullene på venstre side av foten, høyre side av foten eller venstre side av underfoten.

Trykk arbeidsemnet mot føringsflaten og dreiefoten. Plasser arbeidsemnet i ønsket skjæreposisjon og sikre det godt ved å stramme skrustikkeknotten.

Forviss deg om at ingen deler av verktøyet berører den vertikale skruestikken når du senker håndtaket helt ned. Hvis noen deler berører den vertikale skruestikken, må du flytte den.

► Fig.38: 1. Hull 2. Skrustikkeknott

Underfot

⚠ ADVARSEL: Et langt arbeidsstykke må alltid støttes opp slik at det blir plant med den øvre overflaten av dreiefoten. Dette for å sage nøyaktig og unngå at du mister kontrollen over verktøyet. Når arbeidsstykket er godt støttet, er det mindre risiko for farlige tilbakeslag og at bladet kommer i klem.

⚠ ADVARSEL: Før saging påbegynnes, må du alltid sikre at underfottene er sikret med fingerskruene.

For å holde lange arbeidsstykker horisontalt, er det plassert underfotter på begge sider av verktøyet. Løsne fingerskruene, og forleng underfottene til riktig lengde for å holde arbeidsstykket. Stram deretter fingerskruene.

► Fig.39: 1. Underfot 2. Fingerskruer

Når du skjærer, må du legge arbeidsstykket flatt mot føringsflatene.

► Fig.40: 1. Føringsflate 2. Underfot

BRUK

Dette verktøyet er beregnet til saging av treprodukter. Med riktig, originalt sagblad fra Makita kan også følgende materialer sages:

— Aluminiumsprodukter

Se på nettstedet vårt eller kontakt den lokale Makita-forhandleren for riktige sirkelsagblad til materialet som skal skjæres.

⚠ ADVARSEL: Forviss deg om at sagbladet ikke er i kontakt med arbeidsstykket, osv. før bryteren slås på. Hvis verktøyet slås på mens sagbladet er i kontakt med arbeidsstykket, kan dette føre til tilbakeslag og alvorlige personskader.

⚠ ADVARSEL: Når du er ferdig med å sage, må du ikke løfte sagbladet før det har stanset helt. Hvis du løfter et sagblad som ruller, risikerer du alvorlige skader både på deg selv og arbeidsstykket.

⚠ ADVARSEL: Ikke utfør noen justeringer, som å dreie grep, knott og spaker på verktøyet, mens sagbladet roterer. Justering mens sagbladet roterer kan føre til alvorlige personskader.

⚠ FORSIKTIG: Ikke frigjør saghodet ukontrollert fra stillingen helt nede. Et ukontrollert saghode kan treffe deg, og det vil føre til personskade.

OBS: Pass på å frigjøre anslagsstiften og løsne hendelen fra senket stilling før bruk.

OBS: Ikke legg stort trykk på hendelen når du sager. For mye kraft kan føre til at motoren overbelastes og/eller at sageeffekten reduseres. Skyv ned hendelen med den kraften som trengs for jevn saging og uten merkbar reduksjon i bladets hastighet.

OBS: Trykk håndtaket forsiktig ned for å gjenomføre kuttet. Hvis håndtaket trykkes ned med makt eller det brukes sidekraft, kan sagbladet vibrere og lage et merke (sagmerke) i arbeidsstykket. Dette kan ødelegge presisjonen i kuttet.

OBS: Når du bruker uttrekksfunksjonen, må du skyve sleden forsiktig mot føringsflaten uten å stoppe. Hvis sledebevegelsen stopper under saging, etterlates det et merke i arbeidsstykket, og presisjonen i kuttet ødelegges.

Trykksaging

⚠ ADVARSEL: Låse alltid sledens glidebevegelse når du skal utføre pressaging. Hvis du sager uten lås, kan det oppstå farlige tilbakeslag.

Arbeidsstykker som er opptil 65 mm høyde og 80 mm brede kan sages på følgende måte.

1. Skyv sleden mot føringsflaten til den stopper, og lås den med fingerskruen.
2. Fest arbeidsstykket godt ved hjelp av den angitte skrustikken.
3. Slå på verktøyet uten at sirkelsagbladet er i kontakt med noe, og vent til sirkelsagbladet oppnår full hastighet før du senker det.
4. Senk håndtaket forsiktig til nederste stilling for å kappe arbeidsstykket.
5. Når snittet er gjort, må du slå av verktøyet og vente til sirkelsagbladet har stoppet helt før du setter sirkelsagbladet tilbake i helt oppreist stilling.

► Fig.41: 1. Fingerskrue

Skyvesaging (sage brede arbeidsstykker)

⚠ ADVARSEL: Når du bruker uttrekksfunksjonen for å kappe et arbeidsstykke, må du først trekke vognen helt til deg og trykke håndtaket helt ned. Deretter skyver du vognen mot føringsvernet. Vognen skal alltid være trukket helt mot deg før du begynner å sage. Hvis du bruker uttrekksfunksjonen for å kappe et arbeidsstykke og vognen ikke er trukket helt mot deg, kan det oppstå farlige tilbakeslag (kickback).

⚠ ADVARSEL: Aldri forsøk å dra vognen mot deg for å bruke uttrekksfunksjonen for å kappe et arbeidsstykke. Hvis du trekker vognen mot deg mens du sager, kan det oppstå uventede tilbakeslag (kickback) som kan gi alvorlige personskader.

⚠ ADVARSEL: Aldri bruk uttrekksfunksjonen for å kappe et arbeidsstykke når håndtaket er låst i senket stilling.

1. Løsne fingerskruen slik at sleden kan bevege seg fritt.
2. Fest arbeidsstykket godt ved hjelp av den angitte skrustikken.
3. Trekk vognen helt mot deg.
4. Slå på verktøyet uten at sirkelsagbladet er i kontakt med noe, og vent til sagbladet oppnår full hastighet.
5. Trykk ned håndtaket og skyv vognen mot føringsvernet og gjennom arbeidstrykket.
6. Når snittet er gjort, må du slå av verktøyet og vente til sagbladet har stoppet helt før du setter bladet tilbake i helt oppreist stilling.

► Fig.42: 1. Fingerskrue

Gjærsaging

Se i avsnittet om justering av gjæringsvinkelen.

Skråskjæring

⚠ ADVARSEL: Når sagbladet er stilt inn for skråskjæring, må du forsikre deg om at sleden og sagbladet kan bevege seg fritt under hele sagingen før du bruker verktøyet. Hvis sleden eller bladet blir hindret under sagingen, kan det oppstå tilbakeslag som kan gi alvorlige personskader.

⚠ ADVARSEL: Når du utfører skråskjæring, må du passe på å holde hendene borte fra sagbladets bane. Vær oppmerksom på at sagbladvinkelen kan gi et feilaktig inntrykk av sagbladets faktiske bane. Kontakt med sagbladet vil gi alvorlige personskader.

⚠ ADVARSEL: Sagbladet må ikke heves før det har stoppet helt. Ved skråskjæring kan det skje at det avkappede arbeidsstykket hviler mot sagbladet. Hvis sagbladet heves mens det fremdeles roterer, kan det kaste ut den avkappede biten. Dette kan føre til at materialet fliser seg opp, og gi alvorlige personskader.

OBS: Når du trykker ned håndtaket, må du trykke parallelt med sagbladet. Hvis du trykker i vertikal retning for dreiefoten eller endrer trykkretningen mens du sager, blir snittet mindre presist.

1. Sett skyveflaten til venstre for å forhindre at sleden kommer i kontakt med den.
2. Frigjør anslagsstiften og løsne fingerskruen på armen slik at sleden kan heves og beveges fritt.
3. Juster skråvinkelen i henhold til prosedyren som beskrives i avsnittet om justering av skråvinkelen. Stram deretter grepet.
4. Fest arbeidsstykket med en skrustikke.
5. Trekk vognen helt mot deg.
6. Slå på verktøyet uten at sirkelsagbladet er i kontakt med noe, og vent til sirkelsagbladet oppnår full hastighet.
7. Senk håndtaket forsiktig til helt senket posisjon mens du utøver trykk parallelt med sirkelsagbladet, og skyv sleden mot føringsflaten for å sage arbeidsstykket.
8. Når snittet er gjort, må du slå av verktøyet og vente til sirkelsagbladet har stoppet helt før du setter sagbladet tilbake i helt oppreist stilling.

► Fig.43

Lamellsaging

Lamellsaging er prosessen hvor en skråvinkel lages samtidig som en gjæringsvinkel sages på et arbeids-emne. Kombinasjonssaging kan utføres i vinkelen som er angitt i tabellen.

Gjæringsvinkel	Skjæringsvinkel
Venstre og høyre 0° – 45°	Venstre 0°–45°

Når du utfører lamellsaging, finner du forklaringer i avsnittet om trykksaging, skyvesaging, gjæringsaging og skråskjæring.

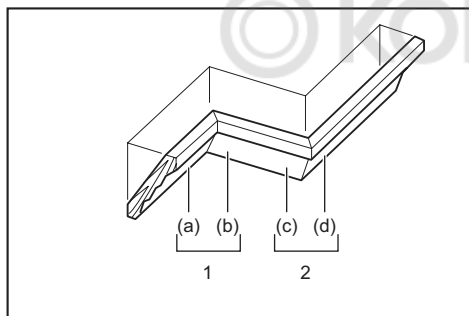
Sage profillister og hulkillister

Profillister og hulkillister kan sages på en gjærings-sag for kombinasjonssaging, med listene lagt flatt på dreiefoten.

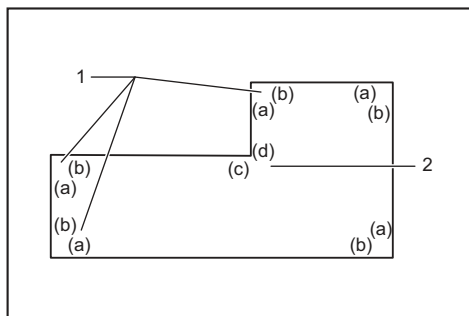
Det finnes to vanlige typer profillist og en vanlig type hulkillist: profillist med 52/38° veggvinkel, profillist med 45° veggvinkel og hulkillist med 45° veggvinkel.

► **Fig.44:** 1. Profillist med 52/38° vinkel 2. Profillist med 45° vinkel 3. Hulkillist med 45° vinkel

Listene kan kappes til å passe til «innvendige» 90° hjørner ((a) og (b) på figuren) og «utvendige» 90° hjørner ((c) og (d) på figuren).



1. Innvendig hjørne 2. Utvendig hjørne



1. Innvendig hjørne 2. Utvendig hjørne

Måling

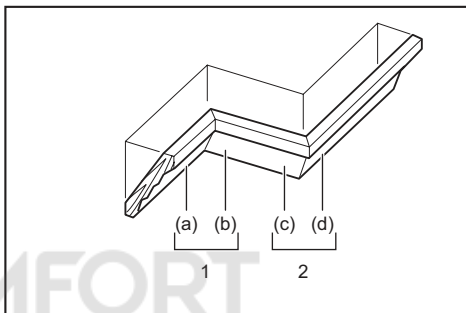
Mål veggbredden, og må bredden til arbeidsmenet i henhold til den. Sørg for at kontaktflaten mot veggen er den samme som veggengde.

► **Fig.45:** 1. Arbeidsmenne 2. Veggbredde 3. Bredden på arbeidsmenne 4. Kontaktflate mot vegg

Bruk alltid flere biter til testkapping for å kontrollere snittvinklene.

Når du sager profillister og hulkillister må du stille inn gjæringsvinklene i vertikalplanet og horisontalplanet som vist i tabell (A), og plassere listene på overflaten av sagfoten, som vist i tabell (B).

Venstre gjæringsnitt i vertikalplanet



1. Innvendig hjørne 2. Utvendig hjørne

Tabell (A)

-	Listposisjon i figuren	Skjæringsvinkel		Gjæringsvinkel	
		Med 52/38° vinkel	Med 45° vinkel	Med 52/38° vinkel	Med 45° vinkel
For innvendig hjørne	(a)	Venstre 33,9°	Venstre 30°	Høyre 31,6°	Høyre 35,3°
	(b)			Venstre 31,6°	Venstre 35,3°
For utvendig hjørne	(c)			Høyre 31,6°	Høyre 35,3°
	(d)				

Tabell (B)

-	Listposisjon i figuren	Listkant mot føringsflate	Ferdig stykke
For innvendig hjørne	(a)	Kontaktflaten mot taket skal plasseres mot føringsflaten.	Det ferdige stykket vil være på venstre side av sirkelsagbladet.
	(b)	Kontaktflaten mot taket skal plasseres mot føringsflaten.	Det ferdige stykket vil være på høyre siden av sirkelsagbladet.
For utvendig hjørne	(c)	Kontaktflaten mot taket skal plasseres mot føringsflaten.	Det ferdige stykket vil være på høyre siden av sirkelsagbladet.
	(d)	Kontaktflaten mot taket skal plasseres mot føringsflaten.	Det ferdige stykket vil være på høyre siden av sirkelsagbladet.

Eksempel:

Ved saging av profillist med 52/38° vinkel for posisjon (a) på figuren:

- Vipp og fest innstillingen for gjæring i vertikalplanet på 33,9° VENSTRE.
- Juster og fest innstillingen for gjæring i horisontalplanet på 31,6° HØYRE.
- Legg profillisten med dens brede baksideoverflate (skjult) ned på dreiefoten, med KONTAKTFLATEN MOT TAKET mot føringsvernet til sagen.
- Det ferdige stykket som skal brukes, vil alltid befinne seg til VENSTRE for sirkelsagbladet etter at snittet er utført.

Sage aluminiumsekstrudering

Når du sikrer aluminiumsekstruderinger, må du bruke avstandsklosser eller biter av kapp, som vist i figuren, for å forhindre at aluminiumen deformeres. Bruk en skjærevæske når du sager aluminiumsekstruderingen for å forhindre at det legger seg aluminiumsstøv på sirkelsagbladet.

⚠ ADVARSEL: Prøv aldri å sage tykke eller runde aluminiumsprofiler. Tykke eller runde aluminiumsprofiler kan være vanskelige å feste tilstrekkelig, og arbeidsstykket kan løsne når du sager. Dette kan føre til at du mister kontrollen over arbeidsstykket/verktøyet og påføres alvorlige skader.

- **Fig.46:** 1. Skrustikke 2. Avstandskloss 3. Føringsflate 4. Aluminiumsekstrudering 5. Avstandskloss

Sage samme lengde gjentatte ganger

Når du sager flere biter materiale i samme lengde, fra 225 mm til 350 mm, må du bruke innstillingsplaten slik det vises i figuren. Fest arbeidsstykket i posisjon for skjæring. Skyv høyre underfot slik at innstillingsplaten er inntil enden av arbeidsstykket. Fest deretter underfoten med fingerskruen.

- **Fig.47:** 1. Innstillingsplate 2. Fingerskruer

Sporsaging

⚠ ADVARSEL: Ikke forsøk å utføre denne typen kutt ved hjelp av en bredere bladtype eller et falseblad. Hvis du forsøker å skjære riller ved hjelp av et bredere blad eller falseblad, kan sageresultatene bli dårlige og det kan oppstå farlige tilbakeslag (kickback).

⚠ ADVARSEL: Sett stopperarmen tilbake til utgangsposisjon når du utfører noe annet enn sporsaging. Hvis du forsøker å sage når stopperarmen står i feil posisjon, kan sageresultatene bli dårlige og det kan oppstå farlige tilbakeslag (kickback).

For dadokutt må du gjøre følgende:

1. Juster den nedre grenseposisjonen på sirkelsagbladet med justeringskruen og stopperarmen for å begrense skjæredybden til sirkelsagbladet. Se avsnittet om stopperarmen.
 2. Når du har justert sirkelsagbladets nedre grenseposisjon, kutter du parallelle riller på tvers over arbeidsstykket med uttrekksfunksjonen.
- **Fig.48:** 1. Skjære riller med sagblad
3. Bruk et huggjern for å fjerne arbeidsstykkematerialet mellom rillene.

Bærbart verktøy

Før du flytter på verktøyet, må du sørge for at det er koblet fra strøm og at alle bevegelige deler av verktøyet er sikret. Kontroller alltid følgende:

- Støpselet er trukket ut.
- Sleden står i skråvinkelstilling 0° og er sikret.
- Sleden er senket og låst.
- Sleden er skjøvet helt mot deg og låst i posisjon.
- Dreiefoten er helt i høyre skråvinkelstilling og sikret.

Bær verktøyet ved å holde i bærehåndtaket og den ene siden av verktøyfoten eller ved å holde i begge sider av verktøyfoten.

► **Fig.49**

► **Fig.50**

⚠ ADVARSEL: Anslagsstiften for heving av sleden er kun for bæring og oppbevaring og justering og skal ikke brukes for saging. Hvis du bruker anslagsstiften når du sager, kan sirkelsagbladet gjøre uventede bevegelser. Dette kan forårsake tilbakeslag som kan gi alvorlige personskader.

⚠ FORSIKTIG: Du må alltid sikre alle bevegelige deler før du bærer verktøyet. Hvis deler av verktøyet kommer i bevegelse eller begynner å gli under flyttingen, kan verktøyet komme i ubalanse og føre til personskader.

⚠ FORSIKTIG: Pass på at høyden på sleden er sikkert låst på bunnen av anslagsstiften. Hvis anslagsstiften ikke er riktig i inngrep kan sleden plutselig sprette opp og forårsake en personskade.

VEDLIKEHOLD

⚠ ADVARSEL: Forviss deg alltid om at verktøyet er slått av og støpselet trukket ut av kontakten før du foretar inspeksjon eller vedlikehold. Hvis du ikke slår av verktøyet og kobler det fra strømmen, kan det utilsiktet bli startet opp og forårsake alvorlige personskader.

⚠ ADVARSEL: Du må alltid sørge for at sagbladet er slipt og rent for best og sikrest mulig ytelse. Hvis du forsøker å kutte med et sløvt og/eller skittent sagblad, kan det oppstå tilbakeslag som kan gi alvorlige personskader.

OBS: Aldri bruk gasolin, bensin, tynner alkohol eller lignende. Det kan føre til misfarging, deformering eller sprekkdannelse.

For å opprettholde produktets SIKKERHET og PÅLITELIGHET, må reparasjoner, vedlikehold og justeringer utføres av autoriserte Makita servicesentre eller fabrikk-servicesentre, og det må alltid brukes reservedeler fra Makita.

Justere skjærevinkelen

Denne sagen er nøye justert og tilpasset ved fabrikken, men tøff bruk kan ha påvirket tilpasningen. Hvis sagen din ikke er godt nok tilpasset, må du gjennomføre følgende:

Gjæringsvinkel

1. Lås sleden i nedre posisjon med anslagsstiften. Skyv sleden mot føringsflaten, og stram fingerskruen for å feste sleden.

2. Sett dreiefoten i 0°-stilling ved hjelp av funksjonen for fast anslag. (Ikke gjør noen endringer hvis pekeren ikke peker på 0°.)

3. Bruk sekskantnøkkelen for å løsne sekskantskruene som sikrer føringsflaten.

► **Fig.51:** 1. Anslagsstift 2. Fingerskruer
3. Sekskantskruer

4. Bring siden på sagbladet i rett vinkel mot fronten på føringsflaten ved hjelp av en trekantlinjal eller et vinkeljern. Stram deretter til sekskantskruene på føringsflaten i rekkefølge fra høyre side.

► **Fig.52:** 1. Føringsflate 2. Trekantlinjal

5. Hvis pekeren ikke peker på 0°, må du løsne skruen som fester pekeren og justere pekeren slik at den peker på 0°.

► **Fig.53:** 1. Skruer 2. Peker 3. Gjæringskala

Skjæringsvinkel

0° skjæringsvinkel

1. Lås sleden i nedre posisjon med anslagsstiften. Skyv sleden mot føringsflaten, og stram fingerskruen for å feste sleden.

2. Løsne spaken. Drei deretter justeringsbolten for 0° to eller tre omdreininger mot klokken for å vippe sirkelsagbladet mot høyre.

► **Fig.54:** 1. Spak 2. Justeringsbolt for 0°

3. Bring siden på sagbladet forsiktig i rett vinkel med oversiden av dreiefoten med en trekantlinjal, et vinkeljern e.l. ved å dreie justeringsbolten for 0° med klokken. Stram deretter spaken godt for å sikre 0°-vinkelen som du har stilt inn.

► **Fig.55:** 1. Trekantlinjal 2. Sagblad 3. Overflaten av dreiefoten

4. Hvis pekeren ikke peker på 0°, må du løsne skruen som fester pekeren og justere pekeren slik at den peker på 0°.

► **Fig.56:** 1. Skruer 2. Peker 3. Skråvinkelskala

45° skjæringsvinkel

OBS: Før du justerer 45°-skråvinkelen, må du fullføre justeringen av 0°-skråvinkelen.

1. Stram fingerskruen for å sikre sleden.
2. Løsne spaken. Vipp deretter sleden helt til venstre.

► **Fig.57:** 1. Fingerskruer 2. Spak

3. Kontroller om pekeren angir 45°-stillingen i skråvinkelskalaen.

Hvis pekeren ikke angir 45°-stillingen, innretter du den med 45°-stilling ved å dreie justeringsbolten for 45°.

► **Fig.58:** 1. Justeringsbolt for 45°

Skifte kullbørster

Ta ut og kontroller kullbørstene med jevne mellomrom. Bytt dem når de er slitt ned til grensemerket. Hold kullbørstene rene og frie til å bevege seg i holderne. Begge kullbørstene må byttes samtidig. Bruk bare identiske kullbørster.

► **Fig.59:** 1. Grensemerke

Bruk en skrutebiter til å fjerne børsteholderhettene. Ta ut de slitte kullbørstene, sett i nye, og fest børsteholderhettene.

► **Fig.60:** 1. Børsteholderhette

Etter bruk

Etter bruk, må du tørke av fliser og støv som kleber til sagen med en klut eller lignende. Hold bladvernet rene i henhold til instruksjonene i avsnittet «Bladvern». Smør glideledene med maskinolje for å hindre at maskinen rustet.

VALGFRITT TILBEHØR

⚠ADVARSEL: Det anbefales at du bruker dette Makita-tilbehøret sammen med Makita-verktøyet som er spesifisert i denne håndboken. Hvis du bruker andre typer tilleggsutstyr eller tilbehør, kan det oppstå alvorlige personskader.

⚠ADVARSEL: Makita-tilleggsutstyret og -tilbehøret skal kun brukes til det formålet det er beregnet for. Hvis tilleggsutstyret eller tilbehøret brukes på en annen måte eller til andre formål enn det som er angitt, kan det oppstå alvorlige personskader.

Ta kontakt med ditt lokale Makita-servicesenter hvis du trenger mer informasjon om dette tilbehøret.

- Sagblad med stål- og karbidspisser
- Vertikal skrustikke
- Støpøse
- Trekantlinjal
- Sekskantnøkkelen
- Stativsett

MERK: Enkelte elementer i listen kan være inkludert som standardtilbehør i verktøypakken. Elementene kan variere fra land til land.

TEKNISET TIEDOT

Malli:	LS0816F	
Terän halkaisija	216 mm	
Reiän halkaisija	Eurooppalaisille maille	30 mm
	Euroopan ulkopuolisille maille	25,4 mm tai 30 mm (maakohtainen)
Sahanterän hampaan maksimipaksuus	2,8 mm	
Suurin jirauskulma	Vasen 47°, oikea 47°	
Suurin viistekulma	Vasen 47°, oikea 2°	
Kuormittamaton kierrosnopeus (RPM)	5 000 min ⁻¹	
Mitat (P x L x K)	476 mm x 705 mm x 521 mm	
Nettopaino	13,9 kg	
Suojausluokka	□/II	

- Jatkuvasta tutkimus- ja kehitystyöstämme johtuen esitetyt tekniset tiedot saattavat muuttua ilman erillistä ilmoitusta.
- Tekniset tiedot voivat vaihdella maittain.
- Paino EPTA-menetelmän 01/2014 mukainen

Leikkauskapasiteetti (K x L) ø 216 mm:n sahanterällä

Jiirikulma	Kallistuskulma		
	45° (vasen)	0°	2° (oikea)
0°	36 mm x 305 mm	65 mm x 305 mm	60 mm x 305 mm
45° (vasen ja oikea)	36 mm x 215 mm	65 mm x 215 mm	-

Symbolit

Laitteessa on mahdollisesti käytetty seuraavia symboleja. Opettele niiden merkitys ennen käyttöä.



Lue käyttöohje.



KAKSINKERTAINEN ERISTYS



Käytä suojalaseja.



Pidä sahan pää sahausksen jälkeen alhaalla, kunnes sahanterä on kokonaan pysähtynyt. Näin vältät lentävien roskien aiheuttaman loukkaantumisen.



Kun suoritetaan liukuleikkaus, vedä ensin kuljetin täysin ulos ja paina kahva alas, työnnä sitten kuljetinta sahausvasteen suuntaan.



Älä laita käsiä tai sormia sahanterän lähelle.



Säädä liukuohjaimet asianmukaisesti irti sahanterästä ja terän suojuksesta.



Älä katso suoraan päällä olevaan valoon.



Koskee vain EU-maita
Käytetyillä sähkö- ja elektroniikkalaitteilla voi olla negatiivisia ympäristö- ja terveysvaikutuksia niissä käytettyjen haitallisten osien takia.
Älä hävitä sähkö- ja elektroniikkalaitteita kotitalousjätteen mukana!
Vanhoja sähkö- ja elektroniikkalaitteita koskevan EU-direktiivin ja sen perusteella laadittujen kansallisten lakien mukaan käytetyt sähkö- ja elektroniikkalaitteet on kierrätettävä toimittamalla ne erilliseen, ympäristönsuojelusäädösten mukaisesti toimivaan kierrätyspisteeseen.
Tämä on ilmaistu laitteessa olevalla ylivedetyn roska-astian symbolilla.

Käyttötarkoitus

Työkalu on tarkoitettu puun tarkkaan suoraan katkaisuun ja jiirisahaukseen. Sillä voidaan sahata myös alumiinia sopivaa sahanterää käyttämällä. Katso lisäteitoja kohdasta TYÖSKENTELY.

Virtälähde

Koneen saa kytkeä vain sellaiseen virtalähteeseen, jonka jännite on sama kuin arvokilvessä ilmoitettu, ja sitä saa käyttää ainoastaan yksivaiheisella vaihtovirralla. Laitte on kaksinkertaisesti suojaeristetty ja siksi se voidaan kytkeä myös maadoittamattomaan pistorasiaan.

Melutaso

Tyypillinen A-painotettu melutaso määräytyy standardin EN62841-3-9 mukaan:

Äänenpainetaso (L_{pA}): 91 dB (A)

Äänen voiman taso (L_{WA}): 102 dB (A)

Virhemarginaali (K): 3 dB (A)

HUOMAA: Ilmoitetut melutasoarvot on mitattu standarditeastusmenetelmän mukaisesti ja niiden avulla voidaan vertailla työkaluja keskenään.

HUOMAA: Ilmoitettuja melutasoarvoja voidaan käyttää myös altistumisen alustavaan arviointiin.

VAROITUS: Käytä kuulosuojaimia.

VAROITUS: Sähkötyökalun käytön aikana mitattu melutasoarvo voi poiketa ilmoitetuista arvoista laitteen käyttötavan ja erityisesti käsiteltävän työkalupaleen mukaan.

VAROITUS: Selvitä käyttäjän suojaamiseksi tarvittavat varoimet todellisissa käyttöolosuhteissa tapahtuvan arvioidun altistumisen mukaisesti (ottaen huomioon käyttöjakso kokonaisuudessaan, myös jaksot, joiden aikana laite on sammutettuna tai käy tyhjäkäynnillä).

Vaatumustenmukaisuusvaatimukset

Koskee vain Euroopan maita

Vaatumustenmukaisuusvakuutukset on liitetty tähän käyttöoppaaseen liitteeksi A.

TURVAVAROITUKSET

Sähkötyökalujen käyttöä koskevat yleiset varoitukset

VAROITUS Tutustu kaikkiin tämän sähkötyökalun mukana toimitettuihin turvavaroituksiin, ohjeisiin, kuviin ja teknisiin tietoihin. Seuraavassa esitettyjen ohjeiden noudattamatta jättäminen voi aiheuttaa sähköiskun, tulipalon ja/tai vakavan vamman.

Säilytä varoitukset ja ohjeet tulevaa käyttöä varten.

Varoituksissa käytettävällä termillä "sähkötyökalu" tarkoitetaan joko verkkovirtaa käyttävää (johdollista) työkalua tai akkukäyttöistä (johdotonta) työkalua.

Työskentelyalueen turvallisuus

- Pidä työskentelyalue puhtaana ja hyvin valaistuna.** Sotkuisissa ja pimeissä tiloissa sattuu helposti onnettomuuksia.
- Älä käytä sähkötyökaluja tiloissa, joissa on räjähdysvaara (esimerkiksi palavia nesteitä, kaasuja tai pölyä).** Sähkötyökalut synnyttävät kipinöitä, jotka voivat sytyttää pölyn tai kaasun.
- Pidä lapset ja katselijat loitolla, kun käytät työkalua.** Häiriötekijät voivat johtaa työkalun hallinnan menetykseen.

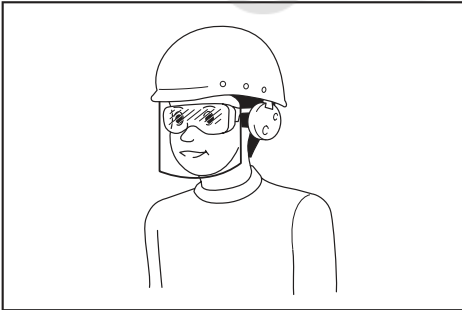
Sähköturvallisuus

- Sähkötyökalun pistotulpan täytyy sopia pistorasiaan.** Älä koskaan muuta tulppaa millään tavalla. Älä käytä pistotulpan sovittinta maadoitettujen (maattokosketin) sähkötyökalujen kanssa. Muuttamattomat tulpat ja sopivat pistorasiat pienentävät sähköiskun vaaraa.
- Vältä vartalokosketusta maadoitettuihin pintoihin kuten putkiin, lämpöpattereihin, liesiin ja jääkaappeihin.** Sähköiskun vaara kasvaa, jos vartaloasi on maadoitettu tai yhteydessä maahan.
- Älä jätä sähkötyökaluja sateeseen tai kosteisiin olosuhteisiin.** Sähkötyökaluun päässyt vesi suurentaa sähköiskun vaaraa.
- Älä käsittele virtajohtoa huonosti.** Älä koskaan kannata tai vedä sähkötyökalua virtajohdosta tai irrota sitä pistorasista johdosta vetämällä. Suojaa virtajohto kuumuudelta, öljyltä, teräviltä reunoilta ja liikkuvilta osilta. Vahingoittuneet tai kiinni tarttuneet johdot suurentavat sähköiskun vaaraa.
- Kun käytät sähkötyökalua ulkona, käytä ulko käyttöön tarkoitettua jatkojohtoa.** Ulko käyttöön tarkoitettujen johdon käyttö pienentää sähköiskun vaaraa.
- Jos sähkötyökalun käyttöä kosteissa olosuhteissa ei voida välttää, käytettävässä virtalähteessä tulee olla vikavirtasuojaa.** Vikavirtakyttimeen käyttäminen vähentää sähköiskuvaaraa.
- On aina suositeltavaa käyttää virtalähteen yhteydessä vikavirtasuojaa, jonka nimellinen laukaisuvirta on 30 mA tai vähemmän.**
- Sähkökäyttöiset työkalut voivat muodostaa käyttäjälle vaarattomia sähkömagneettikenttiä (EMF).** Kuitenkin sydämentahdistimia ja muita lääketieteellisiä laitteita käyttävien henkilöiden tulisi ottaa yhteys laitteen valmistajaan ja/tai lääkäriin ennen tämän sähkökäyttöisen työkalun käyttöä.
- Älä koskettele virtajohtoa märillä käsillä.**
- Jos virtajohto on vaurioitunut, se on korjattava valmistajan tai jälleenmyyjän toimesta vaaratilanteiden välttämiseksi.**

Henkilökohtainen turvallisuus

- Pysy valppaana, katso mitä teet, ja käytä tervettä järkeä, kun käytät sähkötyökalua.** Älä käytä sähkötyökalua, jos olet väsynyt tai huumeiden, alkoholin tai lääkkeiden vaikutuksen alainen. Hetkellinen tarkkaamattomuus sähkötyökalun käytön aikana voi aiheuttaa vakavan vamman.
- Käytä henkilönsuojaimia.** Käytä aina suoja-lasveja. Suojavarusteiden, esimerkiksi hengityssuojaimen, pitävien turvakengien, suojakypärän tai kuulosuojaimien, asianmukainen käyttö vähentää loukkaantumisia.
- Estä työkalun tahaton käynnistyminen.** Varmista, että kytkin on OFF-asennossa, ennen kuin kytket virtajohdon ja/tai akun, nosta laitteen tai kannat työkalua. Sähkötyökalun kantaminen sormi kytkimellä tai sen kytkeminen virtalähteeseen kytkin painettuna aiheuttaa helposti onnettomuuden.

4. **Irrota säätöavain tai vääntötyökalu ennen työkalun käynnistystä.** Sähkötyökalun pyörivään osaan kiinni jätetty työkalu tai avain voi aiheuttaa loukkaantumisen.
5. **Älä kurkota. Seiso tukevassa asennossa ja säilytä tasapainosi.** Näin säilytät sähkötyökalun hallinnan odottamattomissa tilanteissa.
6. **Pukeudu asianmukaisesti. Älä käytä löysiä vaatteita tai koruja. Pidä hiukset ja vaatteet erossa liikkuvista osista.** Löysät vaatteet, korut tai pitkät hiukset voivat tarttua liikkuviin osiin.
7. **Jos pölyn poisto- ja keräysliitäntää varten on olemassa laitteet, huolehdi siitä, että ne liitetään ja että niitä käytetään oikein.** Pölyn keräminen vähentää pölyyn liittyviä vaaroja.
8. **Älä anna työkalun toistuvan käytön tuudittaa sinua turvallisuuden tunteeseen niin, että laiminlyöt työkalun turvaohjeet.** Varmaton käyttö voi aiheuttaa vakavan vamman sekunnin murto-osassa.
9. **Käytä aina suojalaseja silmiesi suojaamiseksi tapaturmia vastaan sähkökäyttöisten laitteiden käytön aikana.** Suojalasiin täytyy noudattaa ANSI Z87.1 Yhdysvalloissa, EN 166 Euroopassa tai AS/NZS 1336 Australiassa / Uudessa Seelannissa olevia vaatimuksia. Australiassa / Uudessa Seelannissa on lainmukaisesti pakollista käyttää kasvosuojaimia myös kasvojen suojaamiseksi.



Työnantajien velvollisuuksiin kuuluu varmistaa, että laitteiden käyttäjät ja työpaikan välittömässä läheisyydessä olevat muut sivulliset henkilöt käyttävät asianmukaisia henkilönsuojaimia.

Sähkötyökalun käyttö ja hoito

1. **Älä käytä sähkötyökalua väkisin.** Käytä tarkoitukseen sopivaa sähkötyökalua. Oikea sähkötyökalu tekee työn paremmin ja turvallisemmin nopeudella, jolle se on suunniteltu.
 2. **Älä käytä työkalua, jos se ei käynnisty ja sammu kytkimestä.** Sähkötyökalu, jota ei voi käyttää virtakytkimellä, on vaarallinen ja se on korjattava.
 3. **Irrota virtapistoke virtalähteestä ja/tai akku sähkötyökalusta jos se on irrotettavissa, ennen minkään työkaluun kohdistuvan säätö- tai osienvaihtotoimenpiteen suorittamista, tai ennen työkalujen varastoinnista.** Tällaiset ehkäisevät turvatoimet pienentävät sähkötyökalun vahingossa käynnistymisen vaaraa.
4. **Säilytä käyttämättömät sähkötyökalut poissa lasten ulottuvilta, äläkä anna sähkötyökalua tai niitä ohjeita tuntemattomien henkilöiden käyttää sähkötyökalua.** Sähkötyökalut ovat vaarallisia harjaantumattomien käyttäjien käsissä.
 5. **Huolla sähkötyökaluja ja lisävarusteita.** Tarkista kaikkien liikkuvien osien liikeradat ja kiinnitykset, osien eheys sekä kaikki muu sellainen, joka voi vaikuttaa sähkötyökalun toimintaan. Jos sähkötyökalu on vahingoittunut, korjauta se ennen käyttöä. Puutteellisesti huolletut sähkötyökalut aiheuttavat usein tapaturmia.
 6. **Pidä leikkaustyökalut terävinä ja puhtaina.** Oikein hoidetut leikkaustyökalut, joissa on terävät leikkusuosarmät, eivät takertele yhtä helposti ja niitä on helppo hallita.
 7. **Käytä tätä sähkötyökalua, lisävarusteita, vaihtoteriä jne. näiden ohjeiden mukaisesti, ja ota myös huomioon työolosuhteet ja suoritettavan työn laatu.** Sähkötyökalun käyttö tarkoituksiin, joihin sitä ei ole suunniteltu, voi aiheuttaa vaaratilanteen.
 8. **Pidä kahvat ja tartuntapinnat kuivina, puhtaina ja erossa öljystä ja rasvasta.** Et voi käyttää työkalua turvallisesti ja hallitusti odottamattomissa tilanteissa, mikäli kahvat ja tartuntapinnat ovat liukkaita.
 9. **Älä käytä työkaluun mahdollisesti tarkettuvia kankaisia työvälineitä työkalun käytön aikana.** Kankaisten työvälineiden tarkettuminen työkalun liikkuviin osiin voi aiheuttaa henkilövahingon.

Huolto

1. **Anna pätevän korjaajan huoltaa sähkötyökalusi käyttäen vain identtisiä varaosia.** Näin varmistetaan, että sähkötyökalun turvallisuus säilyy.
2. **Noudata vaihtelu- ja lisävarusteiden vaihto-ohjeita.**

Jiirisaha ja koskevat turvallisuusohjeet

1. **Jiirisahat ovat tarkoitettu puun ja puutuotteiden sahaukseen.** Niitä ei voi käyttää katkaisuhiomalaikkojen kanssa rautamateriaalien sahaukseen, kuten varret, tangot, karat jne. Hiomapöly aiheuttaa liikkuvien osien, kuten alasuojuksen jumiutumisen. Katkaisusta muodostuva kipinä polttavaa alasuojuksen, itse sahanterän hampaan sekä muita muoviosia.
2. **Kiinnitä työkalupale paikalleen puristimia käyttämällä aina, kun se on mahdollista. Jos työkalupaletta tuetaan käsin, pidä kätesi aina vähintään 100 mm etäisyydellä sahanterän sivuilta. Älä käytä tätä laitetta liian pienien kappaleiden sahaukseen, joita ei voi kiinnittää luotettavasti paikalleen tai pitää käsin kiinni.** Jos kätesi on liian lähellä sahanterää, teräkosketuksesta aiheutuva tapaturmariski kasvaa.
3. **Työkappaleen täytyy olla paikallaan ja kiinnitettyinä, tai pidettynä kiinni sekä ohjauskiskoa ja pöytää vasten. Älä syötä työkalupaletta terälle tai suorita sahausta ”vapaailla kädellä” missään tilanteessa.** Lukitsematomat tai liikkuvat työkalupaleet voivat sinkoutua käyttäjää kohti suurella nopeudella aiheuttaen henkilövahinkoja.

4. **Paina sahaa koko työkappaleen läpi. Älä vedä sahaa koko työkappaleen läpi. Suorita sahaus nostamalla sahapäätä ylös ja vetämällä sitä työkappaleen yli ilman sahaamista, käynnistämällä moottori, painamalla sahapäätä alas ja painamalla sahaa koko työkappaleen läpi.** Sahaus vetoliikkeen aikana aiheuttaa sahanterän kiipeämisen työkappaleen päälle ja paiskaamaan teräkkokoonpanon voimakkaasti käyttäjää päin.
5. **Älä aseta käsiäsi sahausviivalle, sahanterän etu- tai takapuolelle.** Työkappaleen tukeminen "poikittaisella kädellä" ts. työkappaleen pitäminen oikealta puolelta vasemmalta kädellä tai päinvas-toin on erittäin vaarallista.
 - **Kuva 1**
6. **Älä kurkota suojan taakse kummallakaan kädellä 100 mm lähempänä terää, puukappalei-den poistamiseksi tai mistään muusta syystä terän pyöriessä.** Pyörivän terän läheisyys suhteessa käsiisi ei ehkä ole selvä ja tämä voi johtaa vakavaan henkilövahinkoon.
7. **Tarkasta työkappale ennen sahaamisen aloitta-mista. Jos työkappale on taipunut tai kiertynyt, kiinnitä se taipuneen osan ulkopuoli suojaa vasten. Varmista aina, että työkappaleen, ohjauskiskon ja pöydän välillä ei ole rakoa sahausviivalla.** Taipuneet tai kiertyneet työkappa-leet voivat liikkua ja aiheuttaa pyörivän sahanterän juuttumisen sahausken aikana. Työkappaleessa ei saa olla nauvoja tai muita vieraita esineitä.
8. **Älä käytä sahaa, ennen kuin pöydällä ei ole työkaluja, puunkappaleita jne., itse työkappa-leen lisäksi.** Pyörivään terään koskettavat pienet roskat tai irtonaiset puunkappaleet tai muut esi-neet voivat sinkoutua ulos suurelta nopeudella.
9. **Saha ainoastaan yksi työkappale kerrallaan.** Pinottuja työkappaleita ei voida kiinnittää kunnolla ja ne voivat juuttua terään tai liikkua sahausken aikana.
10. **Varmista ennen jiirisahan käyttöä, että se on asennettu tai sijoitettu tasaisen ja tukevan pinnan päälle.** Tasainen ja tukeva pinta alentaa jiirisahan epätasapainoa.
11. **Suunnittele työsi. Joka kerta kun vaihdat viiste- tai jiirikulmaa varmista, että säädettävä ohjauskisko on asetettu oikein tukemaan työkappaletta eikä häiritse terää tai suojajär-jestelmää.** Ilman, että kone on "PÄÄLLÄ" ja sen pöydällä ei ole työkappaletta, suorita sahauskoe varmistaaksesi, että ohjauskisko ei häiritse sahausta tai sitä ei sahata.
12. **Asenna tarvittavat tuet, kuten pöydän jatkeet, sahapukit jne., pöydän pintaa pidemmille tai leveämmille työkappaleille.** Jiirisahan pöytää pidemmät tai leveämmät työkappaleet voivat kaa-tua, jos niitä ei ole tuettu kunnolla. Jos katkaistu osa tai työkappale putoaa, voi se nostaa alasuojan ylös tai sinkoutua pyörivän terän voimasta.
13. **Älä käytä toista henkilöä pöydän jatkeen sijaan tai lisätukena.** Epävakaa työkappaleen tuki voi johtaa terän jumiumutukseen tai työkappaleen liikkumiseen sahausken aikana ja vetää sinut tai avustajan terää kohti.
14. **Irti sahattu osa ei saa juuttua tai painua pyö-rivää sahanterään vasten.** Jos puristuksissa, esim. pituusrajoitimien käytön aikana, sahattu osa voi kiilautua terää vasten ja sinkoutua ulos voimalla.
15. **Käytä aina pyöreiden esineiden, kuten tan-kojen tai putkien kiinnittintä tai kannatinta.** Tangoilta on taipumus rullata sahausken aikana, jolloin terä "puree" kiinni ja vetää työkappaleen ja kätesi terää kohti.
16. **Anna terän saavuttaa maksiminopeus ennen koskettamista työkappaleeseen.** Tämä alentaa työkappaleen sinkoutumisen vaaraa.
17. **Jos työkappale tai terä takertuu tai jumiuuu, sammuta jiirisaha. Odota, että kaikki liikkuvat osat ovat pysähtyneet, irrota virtapistoke vir-talähteestä ja/tai irrota akku.** Tämän jälkeen vapauta jumiuutunut materiaali. Sahaamisen jatkaminen kiinnitkertuneella ja jumiuutuneella työkappaleella voi aiheuttaa jiirisahan hallinnan menettämisen tai vaurioitumisen.
18. **Kun sahaus on valmis, vapauta kytkin, pidä sahapäätä alhaalla ja odota, kunnes terä on pysähtynyt ennen katkaistun kappaleen pois-tamista.** Käsin kurottaminen pyörivän terän lähelle on vaarallista.
19. **Käytä vain sahanteriä, joiden halkaisija on sama kuin työkaluun merkitty tai ohjekirjassa mainittu.** Vääränkokoisien sahanterän käyttä-minen voi vaikuttaa sahanterän suojuuksen tai itse suojuksen toimivuuteen ja aiheuttaa vakavia vammoja.
20. **Käytä vain sahanteriä, joiden merkitty nopeus on vähintään yhtä suuri ta i suurempi kuin työkaluun merkitty nopeus.**
21. **Älä käytä sahaa muiden kuin määritettyjen materiaalien leikkaamiseen.**
22. **(Vain Euroopan maat)**
Käytä aina standardin EN847-1 mukaisia sahanteriä, jotka on tarkoitettu puulle ja vas-taaville materiaaleille.

Lisäohjeet

1. **Käytä riippulukkoja työpaikan lapsiturvallisuu-den varmistamiseksi.**
2. **Älä seiso laitteen päällä.** Mikäli kone kallistuu tai leikkuuterään kosketaan vahingossa voi seurauk-sena olla vakavia henkilövahinkoja.
3. **Älä jätä käynnissä olevaa laitetta ilman val-vontaa.** Katkaise aina virta. Älä jätä laitetta ilman valvontaa ennen kuin terä on täysin pysähtynyt.
4. **Älä käytä sahaa ilman suojuksia.** Varmista terän suojuksen sulkeutuminen ennen jokaista käyttökertaa. Älä käytä sahaa, jos terän suoju-s ei liiku vapaasti ja sulkeudu välittömästi. Älä koskaan kiristä tai sido terän suojusta asen-toon Auki.
5. **Pidä kädet poissa sahanterän tieltä.** Älä kos-keta rullaavaa sahanterää. Se voi aiheuttaa vakavan onnettomuuden.
6. **Tapaturmariskin pienentämiseksi, siirrä alusta täysin taka-asentonsa aina jokaisen sahaus-toiminnon jälkeen.**

7. Kiinnitä kaikki liikkuvat osat aina ennen laitteen kuljetusta.
8. Rajoitintappi tai pysäytinvipu, joka lukitsee sahapään, on tarkoitettu vain kantamiseen ja säilytykseen eikä sitä ole tarkoitettu leikkauskäyttöön.
9. Tarkista ennen työskentelyn aloittamista, ettei sahanterässä ole murtumia tai muita vikoja. Vaihda murtunut tai vahingoittunut sahanterä välittömästi. Sahanterään kovettunut pihka ja puupiki hidastavat sahaamista ja lisäävät takapotkun vaaraa. Pidä sahanterä puhtaana irrottamalla se sahasta ja puhdistamalla pihkanpoistoaineella, kuumalla vedellä tai petroliilla. Älä koskaan käytä bensiiniä sahanterän puhdistamiseen.
10. Liukusahauksen yhteydessä voi tapahtua TAKAPÖTKU. TAKAPÖTKUJA voi esiintyä, jos sahanterä takertuu työkappaleeseen sauhuksen aikana ja sahanterä sinkoutuu nopeasti käyttäjää kohti. Seurauksena voi olla hallinnan menetys ja vakava henkilövahinko. Jos sahanterä alkaa takertumaan sauhuksen aikana, keskeytä sahaus ja vapauta liitkin välittömästi.
11. Käytä ainoastaan tälle laitteelle tarkoitettuja laippoja.
12. Ole varovainen, ettet vahingoita karaa, laippoja (erityisesti asennuspintaa) tai pulttia. Näiden osien vaurioituminen voi aiheuttaa sahanterän rikkoutumisen.
13. Varmista, että kääntöalusta on kiinnitetty kunnonla, ettei se liiku käytön aikana. Käytä alustan reikiä sahan kiinnittämiseksi kestävään työpöytäan tai työpenkkiin. ÄLÄ koskaan käytä laitetta jos käyttäjän asento on hankala.
14. Varmista, että akselilukko on avattu, ennen kun virta kytketään päälle.
15. Varmista, ettei sahanterä kosketa kääntöalustaa alimmassa kohdassa.
16. Ota koneesta luja ote. Huomioi, että saha liikkuu hieman ylös- tai alaspäin käynnistettäessä ja pysäytettäessä sitä.
17. Varmista ennen sahan käynnistämistä, ettei sahanterä kosketa työkappaletta.
18. Anna työkalun käydä jonkin aikaa, ennen kuin alat työstää työkappaletta. Varmista, ettei työkappale tärise tai heilu, mikä voi johtua huonosta asennuksesta tai huonosti tasapainotetusta sahanterästä.
19. Lopeta käyttö heti, jos havaitset mitään epänormaalia.
20. Älä yritä lukita liipaisinta asentoon ”PÄÄLLÄ”.
21. Käytä vain tässä ohjeessa suositeltuja lisävarusteita. Sopimattomien lisävarusteiden, esimerkiksi hiemalaikkojen käyttö voi aiheuttaa tapaturman.
22. Jotkin materiaalit sisältävät kemikaaleja, jotka voivat olla myrkyllisiä. Vältä pölyn sisäänhengittämistä ja ihokosketusta. Noudata materiaalin toimittajan turvaohjeita.

Lampun käyttöä koskevat lisäturvaohjeet

1. Älä katso suoraan lampuun tai valonlähteeseen.

SÄILYTÄ NÄMÄ OHJEET.

VAROITUS: ÄLÄ anna työkalun helppokäyttöisyyden (toistuvan käytön aikaansaama) johtaa sinua vääriin turvallisuuden tunteeseen niin, että laiminlyöt työkalun turvaohjeiden noudattamisen. VÄÄRINKÄYTTÖ tai tässä käyttöohjeessa ilmoitettujen turvamääräysten laiminlyönti voi aiheuttaa vakavia henkilövahinkoja.

OSIEN KUVAUS

► Kuva2

1	Säätöruuvi (alaraja-asento)	2	Lukitusvarsi	3	Pölypussi	4	Siipiruuvi (kuljettimen liu'uttaminen)
5	Osoitin (viistekulma)	6	Viistekulma-asteikko	7	Liukutanko	8	Pystysuora ruuvipuristin
9	Liukuohjain	10	0° säätöpultti (viistekulma)	11	Sahausvaste	12	Pohja-alusta
13	Kääntöalusta	14	Jiirikulma-asteikko	15	Osoitin (jiirikulma)	16	Kitapala
17	Säätöpultti (kääntöalusta)	18	Lukitusvipu (kääntöalusta)	19	Kahva (kääntöalusta)	20	Pölynkeräyssuojus
21	Teräsuojus	22	Lamppu	23	Kahva (työskentely)	24	Liipaisinkytkin
25	Reikä riippulukkoa varten	26	Lukituksen vapautuspainike	27	Kantokahva	-	-

► Kuva3

1	Lampun kytkin	2	Aksellilukko	3	Säätöpultti (suurin sahauskapasiteetti)	4	Rajoitintappi (alustan liukumiseen)
5	Kiinnityslevy	6	Kuusioavain	7	45° säätöpultti (viistekulma)	8	Vipu (viistekulma)
9	Vapautuspainike (viistekulma)	-	-	-	-	-	-

ASENNUS

Penkin kiinnittäminen

VAROITUS: Varmista, ettei työkalu pääse liikkumaan tukipinnalla. Jos jiirisaha pääsee liikkumaan tukipinnalla sahaamisen aikana, seurauksena voi olla työkalun hallinnan menettäminen ja vakava henkilövahinko.

1. Kiinnitä alusta tasaiselle ja vakaalle pinnalle ruuvaamalla se kiinni pulteilla. Näin ehkäiset kaatumisen ja mahdollisen tapaturman.

► **Kuva4:** 1. Pultti 2. Kiinnikereikä

2. Kierrä säätöruuvia myötäpäivään tai vastapäivään työkalun tasapainossa pitämiseksi siten, että se koskettaa lattian pintaa.

► **Kuva5:** 1. Säätöpultti

TOIMINTOJEN KUVAUS

VAROITUS: Varmista aina ennen säätöjä tai tarkastuksia, että laite on sammutettu ja irrotettu virtalähteestä. Jos laitetta ei sammuteta ja irroteta virtalähteestä, se voi käynnistyä vahingossa ja aiheuttaa vakavan henkilövahingon.

Kahvan lukitus

HUOMIO: Pidä aina kahvasta vapauttaessasi rajoitintapin. Muuten kahva ponnahtaa ylös ja saattaa aiheuttaa henkilövahinkoja.

Työkalun kahva lukitaan kuljetuksen ajaksi ala-asentoon rajoitintapin avulla. Kahvan lukitus avataan vetämällä rajoitintappia samalla, kun kahvaa lasketaan hieman.

► **Kuva6:** 1. Rajoitintappi

Liukulukitus

Löysää varren siipiruuvia, kun haluat sallia alustan liukuliikeyn. Jos haluat lukita alustan liukuliikeyn, siirrä alusta haluttuun kohtaan ja kiristä sitten siipiruuvi kunnolla.

► **Kuva7:** 1. Peukaloruuvi 2. Varsi

Teräsuojus

VAROITUS: Älä koskaan ohita tai poista teräsuojusta tai siihen kiinnitettyä joustia. Jos paljasta pyörösahanterää käytetään ilman suojusta, seurauksena voi olla vakava henkilövahinko.

VAROITUS: Älä koskaan käytä työkalua, jos teräsuojus tai jousi on vahingoittunut, viallinen tai poistettu. Jos työkalua käytetään, vaikka suojuus on vahingoittunut, viallinen tai irrotettu, seurauksena voi olla vakava henkilövahinko.

HUOMIO: Pidä teräsuoja aina hyvässä käytökunnossa turvallisen käytön varmistamiseksi. Lopeta käyttö välittömästi, jos teräsuojassa ilmenee jotain epätavallista. Tarkista varmistaaksesi suojuksen jousenpaluu toiminta.

Kun lasket kahvaa, teräsuojus nousee automaattisesti. Teräsuojus on jousitettu, joten ne palautuvat alkuperäiseen asentoonsa, kun leikkaus on valmis ja kahva nostettu.

► **Kuva8:** 1. Teräsuojus

Puhdistus

Jos läpinäkyvä teräsuojus likaantuu tai siihen kertyy sahanpuruja siten, ettei pyörösahanterää ja/tai työkalupaletta enää näy kunnolla, irrota laite virtalähteestä ja puhdista suojuksen huolellisesti kostealla liinalla. Älä käytä liuottimia äläkä öljypohjaisia puhdistusaineita, sillä ne voivat vahingoittaa muovista suojusta. Noudata puhdistukseen valmistautumisen vaiheittaisia ohjeita.

1. Varmista, että kone on sammutettu ja irrotettu pistorasiasta.

2. Käännä kuusiokolopulttia vastapäivään mukana toimitettua kuusioavainta käyttäen ja pitämällä keskikanta.

3. Nosta teräsuojus ja keskikansi.

4. Kun puhdistus on suoritettu, palauta keskikansi ja kiristä kuusiokolopultti suorittamalla edellä mainitut vaiheet päinvastaisessa järjestyksessä.

► **Kuva9:** 1. Kuusioavain 2. Kuusiokolopultti
3. Keskikansi 4. Teräsuoja

VAROITUS: Älä poista teräsuojusta paikallaan pitävää joustia. Jos suojuus vaurioituu ajan tai ultraviolettivalolle altistumisen myötä, hanki uusi suojuus ottamalla yhteyttä Makitan huoltopisteeseen. **ÄLÄ ESTÄ SUOJUUKSEN TOIMINTAA TAI IRROTA SITÄ.**

Kitapalojen sijoittaminen

Työkalun mukana toimitetaan kääntöalustan kitapalat, jotka minimoivat leikkauksen poistumispuolen repimisen. Kitapalat ovat säädetty tehtaalla niin, ettei pyörösahanterä kosketa kitapaloja. Säädä kitapalat ennen käyttöä seuraavasti:

1. Varmista, että työkalu on irrotettu virtalähteestä. Löysää kaikki kitapaloja paikallaan pitävät ruuvit (kolme ruuvia sekä vasemmalla että oikealla).

► **Kuva10:** 1. Lovilauta 2. Ruuvi

2. Kiristä niitä vain sen verran, että uurrastasoja voi edelleen helposti siirtää käsin.

3. Laske kahva kokonaan alas ja lukitse se sitten ala-asentoon rajoitintapilla.

4. Löysää varren siipiruuvia, joka lukitsee alustan liukuliikeyn.

Vedä alusta kokonaan kohti itseäsi.

► **Kuva11:** 1. Peukaloruuvi 2. Varsi

5. Säädä kitapalat niin, että ne ovat lähellä sahanterän hampaiden syrjiä.

► **Kuva12**

► **Kuva13:** 1. Pyörösahanterä 2. Terän hampaat 3. Lovilautaa 4. Vasen viistoleikkaus 5. Leikkaaminen vaakasuunnassa

6. Kiristä eturuuvit (älä kiristä liikaa).

7. Liu'uta alusta kitapalojen etupään ja sahausvas- teiden väliin. Säädä kitapalat niin, että ne ovat lähellä sahanterän hampaiden syrjiä.

8. Kiristä keskiruuvit (älä kiristä tiukasti).

9. Työnnä alusta kokonaan sahausvas- teiden suuntaan ja säädä sitten kitapalat niin, että ne ovat lähellä sahanterän hampaiden syrjiä.

10. Kiristä takaruuvit (älä kiristä tiukasti).

11. Vapauta kahvan lukituksen rajoitintappi ja nosta kahva ylös. Kiristä sitten kaikki ruuvit kunnolla.

HUOMAUTUS: Varmista viistekulman asettami- sen jälkeen, että kitapalat on säädetty oikein. Kun kitapalat on säädetty oikein, työkalupale pysyy tuke- vasti paikallaan eikä repeydy helposti irti.

Parhaan sahauskyvyn ylläpitäminen

Tämä laite on säädetty tehtaalla siten, että se tarjoaa suurimman mahdollisen sahauskyvyn 216 mm:n pyörösahanterällä.

Kun asennat uuden pyörösahanterän, tarkista aina pyörösahanterän ala-asennon raja ja säädä sitä tarvit- taessa seuraavasti:

1. Irrota työkalu virtalähteestä. Työnnä alusta täysin sahausvas- teitä kohti ja laske kahva täysin alas.

2. Kierrä säätöpulttia kuusioavaimella (ruuviavain- puoli), kunnes pyörösahanterä tulee hieman sahaus- vanteen poikkileikkauksen ja kääntöalustan yläpinnan alapuolelle.

► **Kuva14:** 1. Säätöpultti 2. Sahausvaste

► **Kuva15**

3. Kierrä pyörösahanterää käsin pitämällä samalla kahva kokonaan alhaalla varmistaaksesi, että pyö- rösahanterä ei kosketa mitään alajalustan kohtaa. Säädä suurin sahauskapasiteetti tarvittaessa uudelleen.

VAROITUS: Kun olet asentanut uuden pyörösahanterän ja työkalu on irrotettu virta- lähteestä, varmista aina, että pyörösahanterä ei kosketa mitään alajalustan kohtaa, kun kahva las- ketaan täysin alas. Jos pyörösahanterä koskettaa jalustaa, seurauksena voi olla takapotku ja vakava henkilövahinko.

► **Kuva16**

Lukitusvarsi

Sahanterän alaraja-asentoa voi säätää helposti lukitus- varren avulla. Säädä alaraja kiertämällä lukitusvar- ta nuolen osoittamaan suuntaan kuvan mukaisesti. Kierrä säätöruuvia niin, että sahanterä pysähtyy haluttuun asentoon, kun kahva lasketaan täysin alas.

► **Kuva17:** 1. Lukitusvarsi 2. Säätöruuvi

Leikkauskorkeuden säätäminen

HUOMIO: Viistekulman vaihtamisen jälkeen varmista aina kääntöalusta kiristämällä kädensi- jaa tiukasti.

HUOMAUTUS: Kääntöalustaa käännettäessä varmista, että nostat kahvan täysin.

Vapauta kääntöalusta kiertämällä kahvaa vastapäivään. Siirrä kääntöalustaa kääntämällä kahvaa ja pitämällä samanaikaisesti lukitusvipua ylhäällä. Aseta kohdistin haluttuun kulmaan jiiirikulma-asteikolla ja kiristä sitten kahva.

► **Kuva18:** 1. Lukitusvipu 2. Kahva 3. Osoitin

Tarkka pysäytystoiminto

Tässä jiiirisahassa on tarkka pysäytystoiminto. Voit asettaa nopeasti oikeaksi/vasemmaksi jiiirikulmaksi 0°, 15°, 22,5°, 31,6° ja 45°. Voit käyttää tätä toimintoa pitämällä lukitusvipua ylhäällä ja kääntämällä kääntö- alusta haluttuun tarkkaan pysäytyskulmaan. Vapauta sitten lukitusvipu ja käännä kääntöalusta haluamaasi tarkkaan pysäytyskulmaan niin, että kääntöalusta lukit- tuu paikalleen.

Kallistuskulman säätäminen

HUOMIO: Kun olet muuttanut viistekulmaa, kiinnitä varsi aina kiristämällä vipu myötäpäivään.

HUOMAUTUS: Irrota aina pystysuora ruuvipu- ristin ennen viistekulman säätöä.

HUOMAUTUS: Varmista pyörösahanterää kallis- taessasi, että kuljetin on kokonaan ylhäällä.

HUOMAUTUS: Kun muutat viistekulmia, sijoita kitapalat asianmukaisesti uudelleen niiden sijoit- tusta käsittelevän osion ohjeiden mukaisesti.

HUOMAUTUS: Älä kiristä vipua liikaa. Muussa tapauksessa viistekulman lukitusmekanismissa voi ilmetä toimintahäiriö.

Pyörösahanterän kallistaminen vasemmalle 0°–45°

1. Kierrä vipua vastapäivään.

2. Pidä kahvasta kiinni ja kallista kuljetinta vasemmalle.

3. Aseta osoitin haluamaasi kulmaan viistekulma-asteikolla.

4. Kiinnitä varsi kiristämällä vipua myötäpäivään.

► **Kuva19:** 1. Vipu 2. Kahva 3. Osoitin 4. Viistekulma-asteikko

Pyörösahanterän kallistaminen vasemmalle yli 0°–45°

1. Kierrä vipua vastapäivään.
2. Pidä kiinni kahvasta ja aseta kuljetin arvoon 0° oikeaa 2° puolta varten tai arvoon 45° vasenta 47° puolta varten.
3. Kallista kuljetinta hieman vastakkaiselle puolelle.
4. Paina vapautuspainiketta.
5. Kallista kuljetin haluttuun asentoon alueen 0°–45° ulkopuolelle.
6. Kiinnitä varsi kiristämällä vipua myötäpäivään.

Kun kuljetinta kallistetaan oikealle 2°

► **Kuva20:** 1. Vipua 2. Kahva 3. Vapautuspainike

Kun kuljetinta kallistetaan vasemmalle 47°

► **Kuva21:** 1. Vipua 2. Kahva 3. Vapautuspainike

Kytkimen käyttäminen

VAROITUS: Tarkista aina ennen laitteen liittämistä virtalähteeseen, että liipaisinkytkin toimii oikein ja palaa "POIS PÄÄLTÄ"-asentoon, kun se vapautetaan. Älä paina liipaisinkytkintä voimakkaasti, ellei samalla paina lukitusnappia. Kytkin voi rikkoutua. Jos laitetta käytetään, vaikka kytkin ei toimi moitteettomasti, seurauksena voi olla vakava henkilövahinko.

VAROITUS: ÄLÄ koskaan käytä sahaa, jos liipaisinkytkin ei toimi moitteettomasti. Epäkuntoisella kytkimellä varustettu kone on ERITTÄIN VAARALLINEN. Se tulee korjata välittömästi ennen käytön jatkamista vakavien henkilövahinkojen välttämiseksi.

VAROITUS: ÄLÄ KOSKAAN ohita lukituksen vapautuspainiketta teippaamalla sitä kiinni tai muulla tavoin. Jos kytkimen lukituksen vapautuspainike vapautetaan, laite saattaa käynnistyä vahingossa, mistä voi seurata vakava henkilövahinko.

VAROITUS: ÄLÄ KOSKAAN käytä sahaa, jos se käynnistyy pelkästään liipaisinkytkintä painamalla ilman, että painaisit lukituksen vapautuspainiketta. Jos kytkin on viallinen, laite saattaa käynnistyä vahingossa, mistä voi seurata vakava henkilövahinko. Toimita työkalu Makita-huoltoon korjattavaksi ENNEN kuin jatkat käyttöä.

Käytä lukituksen vapautusnappia liipaisinkytkimen tahattoman vetämisen estämiseksi. Käynnistä laite painamalla lukituksen vapautuspainiketta ja painamalla liipaisinkytkimestä. Pysäytä vapauttamalla liipaisinkytkin. Liipaisinkytkimessä on reikä, johon voi kiinnittää riippulukon laitteen lukitsemista varten.

► **Kuva22:** 1. Liipaisinkytkin 2. Lukituspainike 3. Reikä riippulukkoa varten

VAROITUS: Älä käytä lukkoa, jonka sangan tai vaijerin läpimitta on alle 6,35 mm. Jos sanka tai vaijeri on tätä ohuempi, työkalu ei lukkiudu asianmukaisesti OFF-asentoon ja saattaa käynnistyä vahingossa, mistä voi seurata vakava henkilövahinko.

Leikkuulinjan valaiseminen

VAROITUS: Lamppu ei ole sateen kestävä. Älä pese lamppea vedellä tai käytä sitä sateessa tai kostealla alueella. Tällainen menettely saattaa johtaa sähköiskuun ja savuamiseen.

VAROITUS: Älä kosketa lampun linssiä, koska se on erittäin kuuma päälle kytkettyä ja lyhyen ajan päästä sammuttamisesta. Se voi johtaa palovammoihin.

VAROITUS: Älä kolhi lamppea, jotta se ei vaurioidu eikä sen käyttöikä lyhene.

VAROITUS: Älä katso suoraan lamppeeseen tai valonlähteeseen.

LED-lamppu valaisee pyörösahanterää niin, että sahanterän varjo osuu työkappaleeseen leikkuulinjalmaisimena, jota ei tarvitse kalibroida. Sytytä valo painamalla lampun kytkintä. Työkappaleen pintaan tulee näkyviin linja, jota pitkin sahanterä kulkee. Linja terävöityy, kun sahanterää lasketaan.

► **Kuva23:** 1. Lampun kytkin 2. Lamppu 3. Leikkuulinja

Tämä ilmaisin auttaa leikkaamaan tarkasti työkappaleeseen piirrettyä katkaisulinjaa pitkin.

1. Tartu kahvasta kiinni ja laske pyörösahanterää niin, että sahanterän varjo tulee näkyviin työkappaleeseen.

2. Kohdista työkappaleeseen piirretty katkaisulinja leikkuulinjan varjon kanssa.

3. Säädä jiiri- ja viistekulmat tarvittaessa.

HUOMAA: Muista kytkeä lampun kytkin pois päältä käytön jälkeen. Muutoin lamppu pysyy kuumana.

KOKOONPANO

VAROITUS: Varmista aina, että laite on sammutettu ja irrotettu virtalähteestä, ennen minkään työtoimenpiteen suorittamista laitteen parissa. Jos laitetta ei sammuteta ja irroteta virtalähteestä, seurauksena voi olla vakava henkilövahinko.

Kuusioavaimen varastointi

Säilytä kuusioavainta kuvan osoittamassa paikassa sen katoamisen välttämiseksi.

► **Kuva24:** 1. Kuusioavain

Pyörösahanterän asentaminen ja irrottaminen

VAROITUS: Varmista aina ennen pyörösahanterän kiinnitystä tai irrotusta, että työkalu on sammutettu ja kytketty irti virtalähteestä. Työkalun käynnistyminen vahingossa saattaa aiheuttaa vakavan henkilövahingon.

VAROITUS: Käytä pyörösahanterän irrottamiseen ja kiinnittämiseen vain mukana toimitettua Makitan kiintoavainta. Jos avainta ei käytetä, seurauksena voi olla vakava henkilövahinko kuusiokolopultin liiallisen tai riittämättömän kiristyksen takia.

VAROITUS: Älä koskaan käytä laitteessa tai vaihda siihen osia, joita ei ole toimitettu sen mukana. Tällaisten osien käyttö voi aiheuttaa vakavia henkilövahinkoja.

VAROITUS: Kun olet kiinnittänyt pyörösahanterän, varmista aina, että se on kunnolla kiinni. Pyörösahanterän löysä kiinnitys voi aiheuttaa vakavia henkilövahinkoja.

Pyörösahanterän asennuksen ja irrotuksen yleinen valmistelu

1. Vapauta kuljetin vetämällä rajoitintappia ja siirrä sitten kuljetin yläasentoon.
2. Löysää keskisuojuksen kuusiokantapulttia kuusioavaimella. Nosta sitten teräsuojus ja keskisuojuus ylös.
► **Kuva25:** 1. Kuusioavain 2. Kuusiokantapultti 3. Keskipakansi 4. Teräsuojus

Pyörösahanterän asentaminen

HUOMIO: Varmista, että asennat pyörösahanterän niin, että terässä olevan nuolen suunta on sama kuin terän kotelossa olevan nuolen. Muuten voi aiheutua vakava henkilövahinko ja työkalun ja/tai työkalupaleen vahingoittuminen.

1. Suorita kohdan "Pyörösahanterän asennuksen ja irrotuksen yleinen valmistelu" vaiheet.
2. Lukitse kara painamalla akselilukkoa ja löysää kuusiokolopulttia kääntämällä sitä myötäpäivään kuusioavaimella. Irrota sitten kuusiokolopultti, ulkolaippa ja pyörösahanterä.
► **Kuva26:** 1. Kuusiokantapultti (vasenkätinen) 2. Ulkolaippa 3. Akselilukko
3. Aseta pyörösahanterä varovasti sisälaippaan. Varmista, että pyörösahanterän pinnalla olevan nuolen suunta on sama, kuin terän kotelossa olevan nuolen suunta.
► **Kuva27:** 1. Nuoli
4. Asenna ulkolaippa ja kuusiokantapultti. Kiristä kuusiokantapulttia (vasenkätinen) vastapäivään kuusioavaimella samalla, kun painat akselilukkoa alas.
► **Kuva28:** 1. Kuusiokolopultti (vasenkätinen) 2. Ulkolaippa 3. Pyörösahanterä 4. Rengas 5. Sisälaippa 6. Kara
► **Kuva29:** 1. Kuusiokantapultti (vasenkätinen) 2. Ulkolaippa 3. Akselilukko

5. Palauta teräsuojus ja keskipakansi alkuperäiseen asentoonsa. Kiinnitä sitten keskipakansi paikalleen kiristämällä sen kiinnityksen kuusiokantapultti.

Laske kuljetin alas ja varmista, että teräsuojus liikkuu oikein.

- **Kuva30:** 1. Kuusioavain 2. Kuusiokantapultti 3. Keskipakansi 4. Teräsuojus

Pyörösahanterän irrottaminen

1. Suorita kohdan "Pyörösahanterän asennuksen ja irrotuksen yleinen valmistelu" vaiheet.
2. Lukitse kara painamalla akselilukkoa. Löysää kuusiokantapulttia myötäpäivään kuusioavaimella. Irrota sitten kuusiokantapultti, ulkolaippa ja pyörösahanterä.
► **Kuva31:** 1. Kuusiokantapultti (vasenkätinen) 2. Ulkolaippa 3. Akselilukko
3. Jos sisälaippa on irrotettu, asenna se karaan siten, että sen terän kiinnikeosa osoittaa pyörösahanterää kohti. Jos laippa asennetaan väärin, se hankaa konetta vasten.
► **Kuva32:** 1. Kuusiokolopultti (vasenkätinen) 2. Ulkolaippa 3. Pyörösahanterä 4. Rengas 5. Sisälaippa 6. Kara

HUOMAUTUS: Älä hukkaa irrotettua ulkolaippaa ja kuusiokantapulttia.

Pölynimurin kytkeminen

Jos haluat suorittaa siistin sahaustyön, liitä laitteeseesi Makita-pölynimuri.

HUOMAUTUS: Käytettävän pölynimurin ja letkun mukaan pölynkeräyssuojus saattaa tukkia pölynkeräysliitännän ja tehdä pölyn keräämisestä mahdotonta. Pienennä siinä tapauksessa pölynimurin imutehoa.

- **Kuva33:** 1. Pölynkeräyssuojus

Pölypussi

HUOMIO: Kun teet leikkausta, kiinnitä työkaluun aina pölypussi tai pölynimuri pölyvaarojen välttämiseksi.

Pölypussin ansiosta sahaaminen on siistää ja pölyn kerääminen helppoa. Kun haluat kiinnittää pölypussin, liitä se pölysuuttimeen.

- **Kuva34:** 1. Pölypussi 2. Pölysuutin

Kun pölypussi on täyttynyt noin puoliksi, irrota pölypussi työkalusta ja vedä suljin irti. Tyhjennä pölypussin sisältö napauttamalla sitä kevyesti siten, että sisään tarttuneet hiukkaset irtoavat. Näin ne eivät jää haittaamaan tulevaa pölynkeräystä.

- **Kuva35:** 1. Suljin

Työkappaleen kiinnittäminen

VAROITUS: Työkappale pitää aina tukea asianmukaisesti käyttämällä oikeanlaista ruuvipuristinta. Muutoin seurauksena voi olla vakava henkilövahinko ja laitteen ja/tai työkappaleen vahingoittuminen.

VAROITUS: Kun olet lopettanut sahaamisen, älä nosta sahanterää ylös, ennen kuin se on pysähtynyt kokonaan. Jos sahanterä nostetaan sen vielä pyöriessä, seurauksena voi olla vakava henkilövahinko ja työkappaleen vahingoittuminen.

VAROITUS: Kun sahataan jirisan tukijalustaa pidempää työkappaletta, materiaali tulee tukea koko tukijalustan ylittävältä pituudeltaan ja yhtä korkealta kuin jalusta siten, että se pysyy samassa tasossa. Kun työkappale tuetaan asianmukaisesti, vältetään terän jumituminen ja mahdollinen takapotku, joka voi aiheuttaa vakavan henkilövahingon. Älä luota yksinomaan pystysuoraan ruuvipuristimeen työkappaleen kiinnityksessä. Ohuella materiaalilla on taipumus notkua. Tue työkappale koko pituudeltaan terän jumitumisen ja mahdollisen TAKAPOTKUN välttämiseksi.

► **Kuva36:** 1. Tuki 2. Kääntöalusta

Ohjaukiskot

VAROITUS: Varmista ennen työkalun käyttöä, että liukuohjain on kiinnitetty tiukasti kiristysruuvilla.

VAROITUS: Varmista ennen viistesahausta, ettei mikään työkalun osa, varsinkaan pyörösahanterä kosketa ylä- ja alaohjaukiskokoja, kun kahva lasketaan täysin alas ja nostetaan mihin tahansa asentoon ja kun kuljetin siirretään ääriasennosta toiseen. Jos työkalu tai pyörösahanterä osuu ohjaukiskokoon, seurauksena voi olla takapotku tai materiaalin ottamaton liike, mikä voi aiheuttaa vakavan henkilövahingon.

Tämä työkalu on varustettu liukuohjaimella. Kun suoritetaan vasenta viistesahausta, löysää kiristysruuvia ja siirrä liukuohjainta niin, ettei se estä kuljettimen liikettä. Kiinnitä liukuohjain kiristämällä kiristysruuvi.

► **Kuva37:** 1. Liukuohjain 2. Sahausvaste 3. Kiristysruuvi

Pystysuuntainen kappalepuristin

VAROITUS: Työkappale on kiinnitettävä puristimella lujasti kääntöalustaa ja ohjaukiskokoa vasten jokaisen toimenpiteen ajaksi. Jos työkappaletta ei kiinnitetä asianmukaisesti ohjaukiskokoa vasten, materiaali voi päästä liikkumaan sahauskeskustan aikana aiheuttaen sahanterän vaurion. Materiaali saattaa myös sinkoutua irti aiheuttaen hallinnan menettämisen, mistä voi seurata vakava henkilövahinko.

Pystysuora ruuvipuristin voidaan asentaa alustan vasemmalla tai oikealla puolella tai pohja-alustan vasemmalla puolella oleviin reikiin.

Purista työkappale tukevasti sahausvastetta ja kierros-pohjaa vasten. Aseta työkappale haluttuun asentoon ja kiinnitä se tukevasti kiristämällä puristimen kiristysnuppi. Varmista, ettei mikään työkalun osa kosketa pystysuoraa ruuvipuristinta, kun kahva lasketaan täysin alas. Jos jokin osa koskettaa puristinta, sijoita se uudestaan.

► **Kuva38:** 1. Reikä 2. Puristimen nuppi

Pohja-alusta

VAROITUS: Kiinnitä pitkä työkappale aina siten, että se on kääntöalustan yläpinnan kanssa samassa tasossa. Tällä varmistetaan tarkka sahaus ja estetään vaarallinen laitehallinnan menettäminen. Kun tuet työkappaleen asianmukaisesti, vältät terän jumitumisen ja mahdollisen takapotkun, joka voi aiheuttaa vakavan henkilövahingon.

VAROITUS: Varmista aina ennen leikkausta, että pohja-alustat on kiinnitetty siipiruuveilla.

Työkalun molemmilla puolilla on pohja-alustat, joiden avulla pitkät työkappaleet tuetaan vaakasuoraan. Löysää siipiruuveja ja pidennä pohja-alustat haluttuun pituuteen asti niin, että ne tukevat työkappaletta. Kiristä sitten siipiruuvit.

► **Kuva39:** 1. Pohja-alusta 2. Siipiruuvi

Aseta työkappale leikattaessa tasaisesti sahausvasteita vasten.

► **Kuva40:** 1. Ohjaukisko 2. Pohja-alusta

TYÖSKENTELY

Tämä laite on tarkoitettu puutuotteiden leikkaamiseen. Käyttämällä asianmukaisia aitoja Makita-sahanterää on mahdollista sahata myös seuraavia materiaaleja:

— alumiinituotteet

Tarkista leikkattavalle materiaalille sopivat pyörösahanterät verkkosivuiltamme tai ottamalla yhteyttä paikalliseen Makita-jälleenmyyjään.

VAROITUS: Varmista ennen kytkimen käyttämistä, että sahanterä ei kosketa työkappaletta tms. Jos laitteeseen kytketään virta sahanterän koskettaessa työkappaletta, seurauksena voi olla takapotku ja vakava henkilövahinko.

VAROITUS: Kun olet lopettanut sahaamisen, älä nosta sahanterää ylös, ennen kuin se on pysähtynyt kokonaan. Jos sahanterä nostetaan sen vielä pyöriessä, seurauksena voi olla vakava henkilövahinko ja työkappaleen vahingoittuminen.

VAROITUS: Älä tee työkalulle mitään säätöjä, kuten, kahvan, nupin ja vipujen kääntämistä, kun sahanterä pyörii. Säätäminen sahanterän pyöriessä voi aiheuttaa vakavan henkilövahingon.

HUOMIO: Älä vapauta sahapäätä hallitsemattomasti, kun se on alimmassa asennossa. Hallitsemattomasti liikkuva sahanpää voi osua itseesi ja aiheuttaa henkilövahingon.

HUOMAUTUS: Varmista ennen käyttöä, että vapauta rajoitintapin ja kahvan ala-asennostaan.

HUOMAUTUS: Älä sovella liikaa painetta kahvaan leikatessa. Liiallinen painaminen voi ylikuormittaa moottoria ja/tai heikentää sahaustehoa. Paina kahvaa vain sen verran kun on tarpeen, jotta sahaus sujuu tasaisesti ilman, että terän nopeus laskee merkittävästi.

HUOMAUTUS: Tee leikkaus painamalla kahvaa kevyesti alas. Jos kahvaa painetaan voimakkaasti tai sitä painetaan sivusuunnassa, sahanterä saattaa alkaa tärähtää ja jättää (sahaus-) jäljen työkappaleeseen ja sahausksen tarkkuus saattaa kärsiä.

HUOMAUTUS: Paina liukusahaoksen aikana alustaa varovaisesti ohjauksiskoa kohti ilman pysäytyksiä. Jos alustan liike pysäytetään sahausksen aikana, työkappaleeseen jää jälki ja sahaustarkkuus huononee.

Aukkosahaus

VAROITUS: Lukitse aina alustan liukuiliike, painosahaoksen yhteydessä. Sahaus ilman riittävää lukitusruuvien kiristämistä voi aiheuttaa takapotkun, jonka seurauksena voi olla vakava henkilövahinko.

Enintään 65 mm korkeita ja 80 mm leveitä työkappaleita voidaan sahata seuraavalla tavalla.

1. Paina kuljetinta sahausvastetta vasten, kunnes se pysähtyy, ja lukitse se siipiruuvilla.
 2. Tue työkappale paikalleen oikeanlaisella ruuvipuristimella.
 3. Käynnistä työkalu niin, ettei pyörösahanterä osu mihinkään, ja odota, että pyörösahanterä on saavuttanut täyden nopeuden ennen kuin alat laskea sitä.
 4. Alenna sitten hellävaraisesti kahvaa täysin alennettuun asentoon työkappaleen sahaamista varten.
 5. Kun leikkaus on valmis, kytkie työkalu pois päältä ja odota, kunnes pyörösahanterä on täysin pysähtynyt ennen kuin nostat pyörösahanterän täysin kohotettuun asentoonsa.
- Kuva41: 1. Siipiruuvi

Liukusahaus (työntö) (leveiden työkappaleiden sahaus)

VAROITUS: Vedä työntösahausta tehdessäsi kuljetin aina ensin kokonaan itseesi päin ja paina kahva kokonaan alas. Työnnä kuljetin sitten kohti sahausvastetta. **ÄLÄ KOSKAAN ALOITA SAHAUSTA, ELLEI KELKKA OLE KOKONAAN VEDETTYÄ ITSEESI PÄIN.** Jos työntösahausta ilman, että kuljetin on vedetty kokonaan itseesi päin, seurauksena voi olla odottamaton takapotku, mikä voi aiheuttaa vakavan henkilövahingon.

VAROITUS: Älä koskaan sahaa vetämällä kelkkaa itseesi päin. Jos vedät kuljetinta sahausta itseesi päin, seurauksena voi olla odottamaton takapotku, mikä voi aiheuttaa vakavan henkilövahingon.

VAROITUS: Älä koskaan työntösaahaa, kun kahva on lukittu ala-asentoon.

1. Löysää siipiruuvia niin, että kuljetin pääsee liuku-maan vapaasti.
 2. Tue työkappale paikalleen oikeanlaisella ruuvipuristimella.
 3. Vedä kuljetin kokonaan itseesi päin.
 4. Käynnistä työkalu niin, ettei pyörösahanterä kosketa mitään, ja odota, että sahanterä saavuttaa täyden nopeuden.
 5. Paina kahva alas ja **työnnä kuljetinta kohti sahausvastetta työkappaleen läpi.**
 6. Kun leikkaus on valmis, kytkie laite pois päältä ja odota, kunnes sahanterä on täysin pysähtynyt, ennen kuin nostat terän täysin ylös.
- Kuva42: 1. Siipiruuvi

Jiirisahaus

Lisätietoja on jiirikulman säätämistä käsittelevässä kohdassa.

Kallistussahaus

VAROITUS: Kun olet asettanut sahanterän viistesahausta varten, varmista, että kuljetin ja sahanterä liikkuvat vapaasti koko sahauspituudella ennen työkalun käyttöä. Jos kuljettimen tai terän liike pysähtyy sahausamisen aikana, seurauksena voi olla takapotku ja vakava henkilövahinko.

VAROITUS: Pidä kätesi poissa sahanterän tieltä viistesahaoksen aikana. Sahanterän kulma saattaa sähähtää aiheuttaen terän liikeradan virhearvioinnin ja sahanterän koskettamisen, mistä seuraa vakava henkilövahinko.

VAROITUS: Sahanterän saa nostaa vasta sitten, kun se on täysin pysähtynyt. Irti sahattu kappale saattaa painua sahanterää vasten viistesahaoksen aikana. Jos sahanterää nostetaan sen pyöriessä, sahattu kappale saattaa sinkoutua irti terästä ja aiheuttaa materiaalin rikkoutumisen ja sen seurauksena vakavan henkilövahingon.

HUOMAUTUS: Kun painat alas kahvaa, käytä sahanterän suuntaista painetta. Leikkaustarkkuus heikkenee, jos voimaa käytetään kohtisuoraan kääntöalustaan nähden tai jos voiman suuntaa muutetaan leikkauksen aikana.

1. Aseta vasen liukuohjain estämään kuljetinta koskettamasta.
 2. Vapauta rajoitintappi ja löysää verran siipiruuvia niin, että kuljetinta voi nostaa ja liu'uttaa vapaasti.
 3. Säädä viistekulma viistekulman säätämistä käsittelevän osion ohjeiden mukaisesti. Kiristä sitten kahva.
 4. Kiinnitä työkappale puristimella.
 5. Vedä kuljetin kokonaan itseesi päin.
 6. Käynnistä työkalu niin, ettei pyörösahanterä kosketa mitään, ja odota, että pyörösahanterä saavuttaa täyden nopeuden.
 7. Leikkaa sitten työkappale painamalla pyörösahanterä varovasti täysin alas pyörösahanterän suuntaisesti ja **työntämällä kuljetinta sahausvastetta kohti.**
 8. Kun leikkaus on valmis, kytkie laite pois päältä ja odota, kunnes pyörösahanterä on täysin pysähtynyt, ennen kuin nostat sen täysin ylös.
- Kuva43

Yhdistelmäsahaus

Yhdistetyssä sahausessa työkappaleeseen tehdään samanaikaisesti viiste- ja jiirisahaus. Yhdistetty sahaus voidaan tehdä oikein taulukon osoittamissa kulmissa.

Jiirikulma	Kallistuskulma
Vasen ja oikea 0° - 45°	Vasen 0°-45°

Kun teet yhdistelmäsahausta, katso aukkosahausta, liukusahausta (työntö), jiirisahausta ja viistesahausta käsittelevät ohjeet.

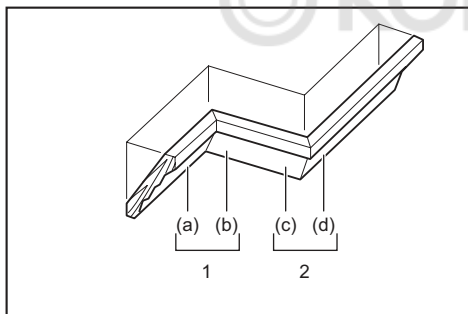
Kruunumallisten ja koverien reunalistojen sahaus

Kruunumalliset ja koverat reunalistat voidaan sahata yhdistelmäjiirisahalla asettamalla listat vaakatasoon kääntölevylle.

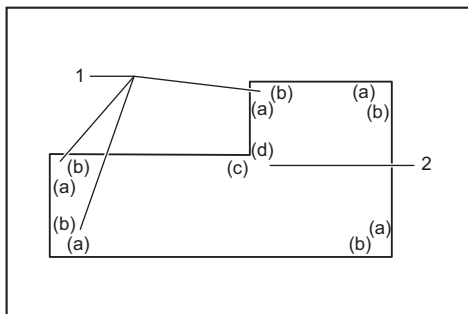
Kruunumallisten reunalistojen yleisesti käytettyjä tyyppejä on kaksi ja koverien reunalistojen tyyppiä yksi; 52/38° kruunumallinen seinämäkulma, 45° kruunumallinen seinämäkulma ja 45° kovera seinämäkulma.

► **Kuva44:** 1. 52/38°-tyypin reunalista 2. 45°-tyypin reunalista 3. 45°-tyypin kovera lista

Kruunumalliset ja koverat liitokset, jotka tehdään sopiviksi 90°-kulman "sisälle" ((a) (b) kuvassa) tai 90°-kulman "ulkopuolelle" ((c) ja (d) kuvassa).



1. Sisäkulma 2. Ulkokulma



1. Sisäkulma 2. Ulkokulma

Mittaus

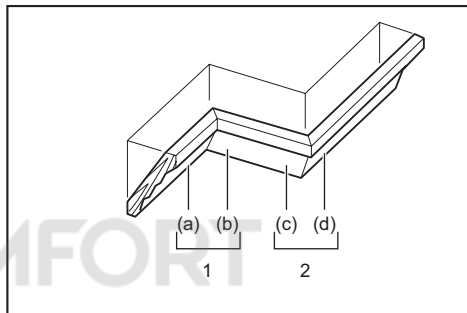
Mittaa seinän leveys ja leveyden säätämiseksi työkappaleen sen mukaan. Varmista aina, että työkappaleen seinän kosketusreunan leveys on sama kuin seinän pituus.

► **Kuva45:** 1. Työkappale 2. Seinän leveys 3. Työkappaleen leveys 4. Seinän kosketusreuna

Käytä aina useita testisahausta sahauskulmien tarkistamiseen.

Aseta kruunumallisia ja koveria reunalistoja sahattaessa viistekulma ja jiirisahauskulma taulukon (A) mukaisesti ja aseta listat sahausalustalle taulukon (B) mukaisesti.

Kun kyseessä on vasemmanpuoleinen viistesahaus



1. Sisäkulma 2. Ulkokulma

Taulukko (A)

-	Kuvassa reunan muoto-asento	Kallistuskulma		Jiirikulma	
		52/38°-tyyppi	45°-tyyppi	52/38°-tyyppi	45°-tyyppi
Sisäkulmaan	(a)	Vasen 33,9°	Vasen 30°	Oikea 31,6°	Oikea 35,3°
	(b)			Vasen 31,6°	Vasen 35,3°
Ulkokulmaan	(c)			Oikea 31,6°	Oikea 35,3°
	(d)				

Taulukko (B)

-	Kuvassa reunan muoto-asento	Reunan muoto sahausvastetta vasten	Valmis kappale
Sisäkulmaan	(a)	Katon kosketusreunan tulee olla sahausvastetta vasten.	Valmis kappale tulee pyörösahanterän vasemmalle puolelle.
	(b)	Seinän kosketusreunan tulee olla sahausvastetta vasten.	Valmis kappale tulee pyörösahanterän oikealle puolelle.
Ulkokulmaan	(c)	Katon kosketusreunan tulee olla sahausvastetta vasten.	Valmis kappale tulee pyörösahanterän vasemmalle puolelle.
	(d)	Katon kosketusreunan tulee olla sahausvastetta vasten.	Valmis kappale tulee pyörösahanterän oikealle puolelle.

Esimerkki:

Kun kyseessä on 52/38° kruunumallisen reunalistan sahaus asentoon (a) kuvan yllä:

- Kallista ja lukitse kallistuskulma-asetukseksi 33,9° VASEN.
- Säädä ja lukitse jiiirsahauskulma-asetukseksi 31,6° OIKEA.
- Aseta kruunulista leveä selkäpuoli (piilossa) alaspäin kääntölevylle siten, että SISÄKATTOA KOSKETTAVA REUNA tulee sahan sahausvastetta vasten.
- Valmis kappale tulee leikkauksen jälkeen aina pyörösahanterän VASEMMALLE puolelle.

Alumiinisten puristetankojen sahaaminen

Kun kiinnität alumiinisia puristetankoja, estä alumiinin vääntyminen käyttämällä väliskeiteitä tai jätepaljoja kuvan osoittamalla tavalla. Käytä sahausöljyä alumiinisia puristetankoja leikkattaessa, sillä se ehkäisee alumiinin kertymistä pyörösahanterään.

VAROITUS: Älä koskaan sahaa paksuja tai pyöreitä alumiinisia puristetankoja. Paksua tai pyöreää alumiinitankoa voi olla vaikea kiinnittää tukevasti, ja se saattaa irrota kesken sahausuksen, mikä voi aiheuttaa vakavan henkilövahingon.

- **Kuva46:** 1. Puristin 2. Välikappale 3. Sahausvaste 4. Alumiininen puristetanko 5. Välikappale

Toistuvien pituuksien leikkaaminen

Kun leikkaat monta palaa materiaalia samaan 225–350 mm:n pituuteen, vedä kiinnityslevy ylös kuvan mukaisesti. Kiinnitä työkalu leikkausasentoon. Liu'uta oikeaa pohja-alustaa niin, että kiinnityslevy on samalla tasolla työkalupaleen pään kanssa. Kiinnitä sitten pohja-alusta siipiruuvilla.

- **Kuva47:** 1. Kiinnityslevy 2. Siipiruuvi

Uran leikkaus

VAROITUS: Älä tee tällaista sahausta leveällä terällä tai dado-terällä. Urasahausten tekeminen leveällä terällä tai dado-terällä saattaa huonontaa sahausjälkeä ja aiheuttaa takapotkun, josta voi seurata vakava henkilövahinko.

VAROITUS: Varmista, että palautat pysäytinvarren alkuperäiseen asentoonsa, kun teet muuta, kuin uran leikkaamisen. Sahaamisen aloittaminen rajoitinvarren ollessa väärässä asennossa voi huonontaa sahausjälkeä ja aiheuttaa takapotkun, josta voi seurata vakava henkilövahinko.

Toimi seuraavasti dado-tyyppin sahausuksen toteuttamiseksi:

1. Säädä pyörösahanterän alempi raja-asento säätöruuvia käyttäen ja käytä lukitusvartta pyörösahanterän leikkaussyvyyden rajoittamiseksi. Lisätietoja on lukitusvarrta käsittelevässä osiossa.
2. Pyörösahanterän alemman raja-asennon säätämisen jälkeen leikkaa rinnakkaiset urat työkalupaleen leveyttä pitkin liukuleikkausta (työntö) käyttäen kuvan osoittamalla tavalla.
► **Kuva48:** 1. Leikkaa urat sahanterällä
3. Poista sitten työkalupaleen materiaali urien välistä taltalla.

Koneen kantaminen

Varmista ennen työkalun kuljettamista, että se on kytketty irti virtalähteestä ja kaikki liikkuvat osat ovat kiinnitetty paikalleen. Tarkista aina seuraavat asiat:

- Työkalu on irrotettu virtalähteestä.
- Alusta on 0° viistekulmassa lukittuna.
- Alusta on laskettu alas ja lukittu.
- Kuljetin on vedetty täysin itseäsi kohti ja lukittu.
- Kääntöalusta on oikeassa jiiirkulmassa ja lukittuna.

Kanna työkalua pitämällä kiinni kantokahvasta ja työkalun alustan toisesta puolesta tai pitämällä kiinni alustan molemmista puolista.

► **Kuva49**

► **Kuva50**

VAROITUS: Kuljettimen noston rajoitintappi on tarkoitettu ainoastaan kuljetus-, säilytys- ja säätötarkeoituksiin, ei sahaustoimintoihin. Rajoitintappin käyttäminen sahattaessa saattaa aiheuttaa pyörösahanterän liikkumisen odottamattomalla tavalla, mikä voi aiheuttaa takapotkun ja vakavan henkilövahingon.

HUOMIO: Kiinnitä kaikki liikkuvat osat paikalleen aina ennen työkalun kuljetusta. Jos työkalun osat pääsevät liikkumaan siirtämisen aikana, seurauksena saattaa olla loukkaantuminen horjahtamisen ja tasapainon menettämisen seurauksena.

HUOMIO: Varmista, että kuljettimen nosto on lukittu oikein pohjastaan rajoitintapilla. Jos rajoitintappia ei ole kytketty oikein, kuljetin voi ponnahtaa ylös äkkinäisesti ja aiheuttaa henkilövahingon.

KUNNOSSAPITO

VAROITUS: Varmista aina ennen tarkastuksia ja huoltotyötä, että laite on sammutettu ja irrotettu virtalähteestä. Jos laitetta ei sammuteta ja irroteta virtalähteestä, se voi käynnistyä vahingossa ja aiheuttaa vakavan henkilövahingon.

VAROITUS: Varmista aina, että sahanterä on terävä ja puhdas, jotta työskentely sujuisi mahdollisimman hyvin ja turvallisesti. Sahaaminen tylsällä ja/tai likaisella sahanterällä saattaa aiheuttaa takapotkun ja vakavan henkilövahingon.

HUOMAUTUS: Älä koskaan käytä bensiiniä, ohenteita, alkoholia tai tms. aineita. Muutoin pinta voi halkeilla tai sen värit ja muoto voivat muuttua. Muutoin laitteeseen voi tulla värjäytyksiä, muodon vääristymiä tai halkeamia.

Tuotteen TURVALLISUUDEN ja LUOTETTAVUUDEN takaamiseksi korjaukset, muut huoltotyöt ja säädöt on teetettävä Makitan valtuutetussa huoltopisteessä Makitan varaosia käyttäen.

Sahauskulman säätäminen

Työkalu on huolellisesti asennettu ja kohdistettu tehtäällä, mutta kova käsittely on saattanut vaikuttaa kohdistukseen. Jos työkaluasi ei ole asianmukaisesti kohdistettu, tee seuraavat toimenpiteet:

Jiirikulma

1. Lukitse kuljetin ala-asentoon rajoitintapilla. Työnnä kuljetinta kohti sahausvastetta ja kiinnitä se kiristämällä siipiruuvi.
2. Aseta kääntöalusta asentoon 0° tarkkaa pysäytystoimintaa käyttämällä. (Jätä se paikalleen, jos osoitin ei osoita 0°.)
3. Löysää sahausvasteen kiinnittäviä kuusiokantapultteja kuusioavaimella.
► **Kuva51:** 1. Rajoitintappi 2. Siipiruuvi
3. Kuusiokantapultit
4. Aseta sahanterän reuna kulmaan suoraan sahausvasteen pinnan kanssa kolmioviivaimella tai suorakulmalla. Kiristä sitten sahausvasteen kuusiokantapultit kunnolla järjestyksessä oikealta puolelta.
► **Kuva52:** 1. Sahausvaste 2. Kolmioviivain
5. Jos osoitin ei osoita 0°, löysennä osoittimen kiinnitysruuvia ja säädä osoitin niin, että se osoittaa 0°.
► **Kuva53:** 1. Ruuvi 2. Osoitin 3. Jiirikulma-asteikko

Kallistuskulma

0° kallistuskulma

1. Lukitse kuljetin ala-asentoon rajoitintapilla. Työnnä kuljetinta kohti sahausvastetta ja kiinnitä se kiristämällä siipiruuvi.
2. Löysää vipua. Kallista sitten pyörösahanterää oikealle kiertämällä 0° kulman säätöruuvia kaksi tai kolme kierrosta vastapäivään.
► **Kuva54:** 1. Vipu 2. 0° kulman säätöruuvi
3. Aseta sahanterän syrjä varovasti suoraan kulmaan kääntöalustan yläpinnan kanssa kolmioviivaimen, suorakulman tms. avulla ruuvaamalla 0° kulman säätöruuvia myötäpäivään. Lukitse sitten asetettu 0° asteen kulma kiristämällä vipu tiukasti.
► **Kuva55:** 1. Kolmioviivain 2. Sahanterä
3. Kääntöalustan yläpinta
4. Jos osoitin ei osoita 0°, löysää osoittimen kiinnitysruuvia ja säädä niin, että se osoittaa 0°.
► **Kuva56:** 1. Ruuvi 2. Osoitin 3. Viisteasteikko

45° kallistuskulma

HUOMAUTUS: Ennen 45° viistekulman säätämistä, säädä ensin 0° viistekulma.

1. Kiinnitä kuljetin kiristämällä siipiruuvi.
2. Löysää vipua. Kallista sitten kuljetin täysin vasemmalle.
► **Kuva57:** 1. Siipiruuvi 2. Vipu
3. Tarkista, näyttääkö osoitin 45° kulmaa viistekulma-asteikolla.

Jos osoitin ei näytä 45° kulmaa, kohdista se 45° kulmaan kiertämällä 45° kulman säätöruuvia.

- **Kuva58:** 1. 45° kulman säätöruuvi

Hiiliharjojen vaihtaminen

Irrota ja tarkista hiiliharjat säännöllisesti. Vaihda uusiin, kun ne ovat kuluneet rajamerkkiin saakka. Pidä hiiliharjat puhtaina ja varmista, että ne pääsevät liukumaan vapaasti pidikkeissään. Molemmat hiiliharjat on vaihdettava yhtä aikaa. Käytä vain samanlaisia hiiliharjoja.

- **Kuva59:** 1. Rajamerkki

Käytä ruuvimeisseliä harjanpidikkeen korkkien poistamiseen. Vedä pois kuluneet hiiliharjat, aseta uudet sisään ja kiinnitä harjanpidikkeen korkit.

- **Kuva60:** 1. Harjanpidikkeen korkki

Käytön jälkeen

Käytön jälkeen pyyhki työkaluun liimautuneet lastut ja pöly pois kankaalla tai vastaavalla. Pidä teränsuojus puhtaana aikaisemmin käsitellyssä "Teränsuojus" osassa mainittujen ohjeiden mukaan. Voitele liukuosat koneöljyllä ruostumisen ehkäisemiseksi.

LISÄVARUSTEET

VAROITUS: Nämä Makita-lisävarusteet tai -laitteet on tarkoitettu käytettäväksi tässä ohjekirjassa mainitun Makita-laitteen kanssa. Muiden lisävarusteiden tai -laitteiden käyttäminen voi aiheuttaa vakavan henkilövahingon.

VAROITUS: Käytä Makita-lisävarustetta tai -laitetta vain sen ilmoitettuun käyttötarkoitukseen. Lisävarusteen tai laitteen väärä tai virheellinen käyttö voi aiheuttaa vakavan henkilövahingon.

Jos tarvitset apua tai yksityiskohtaisempia tietoja seuraavista lisävarusteista, ota yhteys paikalliseen Makitan huoltoon.

- Teräs- ja kovametallihampainen sahanterä
- Pystysuuntainen kappalepuristin
- Pölypussi
- Kolmioviivain
- Kuusioavain
- Jalustasarja

HUOMAA: Jotkin luettelossa mainitut varusteet voivat sisältyä työkalun toimitukseen vakiovarusteina. Ne voivat vaihdella maittain.

SPECIFIKATIONER

Model:		LS0816F
Klangediameter		216 mm
Diameter af hul	Lande i Europa	30 mm
	Lande uden for Europa	25,4 mm - 30 mm (landespecifik)
Maks. tykkelse af savsnit for savklinge		2,8 mm
Maks. geringsvinkel		Venstre 47°, Højre 47°
Maks. skråvinkel		Venstre 47°, Højre 2°
Hastighed uden belastning (omdrejninger pr. minut)		5.000 min ⁻¹
Dimensioner (L x B x H)		476 mm x 705 mm x 521 mm
Nettovægt		13,9 kg
Sikkerhedsklasse		□/II

- På grund af vores kontinuerlige forsknings- og udviklingsprogrammer kan hosstående specifikationer blive ændret uden varsel.
- Specifikationer kan variere fra land til land.
- Vægt i henhold til EPTA-procedure 01/2014

Skærekapacitet (H x B) med ø 216 mm savklinge

Geringsvinkel	Skråvinkel		
	45° (venstre)	0°	2° (højre)
0°	36 mm x 305 mm	65 mm x 305 mm	60 mm x 305 mm
45° (venstre og højre)	36 mm x 215 mm	65 mm x 215 mm	-

Symboler

Følgende viser de symboler, der muligvis anvendes til udstyret. Sørg for, at du forstår deres betydning før brugen.

	Læs brugsanvisningen.
	DOBBELT ISOLERING
	Bær sikkerhedsbriller.
	For at undgå personskade fra flyvende rester skal du holde savhovedet nede efter at have foretaget snit, indtil savklingen er stoppet helt.
	Når du udfører glidende snit, skal du først trække slæden helt ind i mod dig selv og trykke håndtaget ned og derefter skubbe slæden mod anslaget.
	Undlad at placere hænder eller fingre tæt på savklingen.
	Justér glideanslagene ordentligt, så de er fri af savklingen og beskyttelseskærmen.
	Stir ikke på en anvendt lampe.



Kun for lande inden for EU
Brugt elektrisk og elektronisk udstyr kan have en negativ indvirkning på miljøet og folkesundheden på grund af tilstedeværelsen af farlige komponenter i udstyret. Bortskaf ikke elektriske og elektroniske apparater sammen med husholdningsaffald!
I overensstemmelse med EF-direktiv om affaldshåndtering af elektrisk og elektronisk udstyr, og i overensstemmelse med national lovgivning, skal brugt elektrisk og elektronisk udstyr opbevares separat og leveres til et separat indsamlingssted til kommunalt affald, der er etableret i henhold til bestemmelserne om miljøbeskyttelse. Dette er angivet ved symbolet på den krydsede skraldespand, der er placeret på udstyret.

Tilsigtet anvendelse

Maskinen er beregnet til udførelse af præcis lige afkorting og geringsssnit i træ. Der kan også saves i aluminium med egnede savklinger. For detaljer, se afsnittet om ANVENDELSE.

Strømforsyning

Maskinen må kun tilsluttes en strømforsyning med samme spænding som angivet på typeskiltet og kan kun anvendes på enfaset vekselstrømforsyning. Den er dobbeltisoleret og kan derfor også tilsluttes netstik uden jordforbindelse.

Støj

Det typiske A-vægtede støjniveau bestemt i overensstemmelse med EN62841-3-9:
Lydtryksniveau (L_{pA}): 91 dB (A)
Lydeffektniveau (L_{WA}): 102 dB (A)
Usikkerhed (K): 3 dB (A)

BEMÆRK: De(n) angivne støjemissionsværdi(er) er målt i overensstemmelse med en standardtestmetode og kan anvendes til at sammenligne en maskine med en anden.

BEMÆRK: De(n) angivne støjemissionsværdi(er) kan også anvendes i en præliminær eksponeringsvurdering.

⚠ ADVARSEL: Bær høreværn.

⚠ ADVARSEL: Støjemissionen under den faktiske anvendelse af maskinen kan være forskellig fra de(n) angivne værdi(er), afhængigt af den måde hvorpå maskinen anvendes, især den type arbejdsemne der behandles.

⚠ ADVARSEL: Sørg for at identificere de sikkerhedsforskrifter til beskyttelse af operatøren, som er baseret på en vurdering af eksponering under de faktiske brugsforhold (med hensyntagen til alle dele i brugscyklussen, f.eks. de gange, hvor maskinen er slukket, og når den kører i tomgang i tilgift til afbrydertiden).

Overensstemmelseserklæringer

Kun for lande i Europa

Overensstemmelseserklæringerne er inkluderet i Bilag A i denne brugsanvisning.

SIKKERHEDSADVARSLER

Almindelige sikkerhedsregler for el-værktøj

⚠ ADVARSEL Læs alle sikkerhedsadvarsler, instruktioner, illustrationer og specifikationer, der følger med denne maskine. Hvis du ikke følger alle nedenstående instruktioner, kan det medføre elektrisk stød, brand og/eller alvorlig personskade.

Gem alle advarsler og instruktioner til fremtidig reference.

Ordet "el-værktøj" i advarslerne henviser til det netforsyede (netledning) el-værktøj eller batteriforsyede (akku) el-værktøj.

Sikkerhed i arbejdsområdet

1. **Hold arbejdsområdet rent og veloplyst.** Rodede eller mørke områder kan medføre ulykker.
2. **Undlad at betjene el-værktøjer i eksplosive atmosfærer,** for eksempel ved tilstedeværelse af brændbare væsker, gasser eller støv. El-værktøjer frembringer gnister, der kan antænde støv eller dampe.
3. **Hold børn og tilskuere på afstand under betjeningen af el-værktøj.** Distractioner kan medføre, at De mister kontrollen.

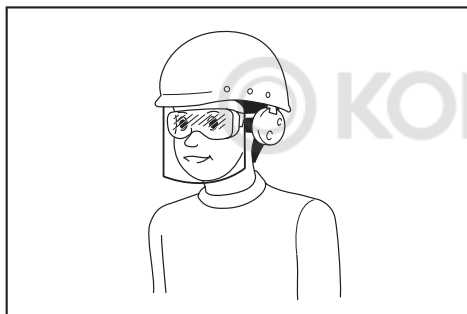
Elektrisk sikkerhed

1. **Stikkene på el-værktøjet skal svare til stikkontakten. De må ikke ændre stikket på nogen måde. Brug ikke stikadapters sammen med jordforbundne el-værktøjer.** Uændrede stik og tilsvarende stikkontakter mindsker risikoen for elektrisk stød.
2. **Undgå kropskontakt med jordforbundne overflader som rør, radiatorer, overflader og køleskabe.** Der er større risiko for elektrisk stød, hvis kroppen har jordforbindelse.
3. **Udsæt ikke el-værktøj for regn eller våde omgivelser.** Hvis der kommer vand ind i værktøjet, forøges risikoen for elektrisk stød.
4. **Belast ikke ledningen. Brug aldrig ledningen til at bære eller trække el-værktøjet eller til at tage stikket ud af stikkontakten. Udsæt ikke ledningen for varme, olie, skarpe kanter eller bevægelige dele.** Beskadigede eller sammenviklede ledninger øger risikoen for elektrisk stød.
5. **Brug en forlængerledning, der er beregnet til udendørs brug, når el-værktøjet anvendes udenørs.** Brug af en ledning, der er beregnet til udendørs brug, reducerer risikoen for elektrisk stød.
6. **Hvis De er nødt til at anvende et el-værktøj i fugtige omgivelser, skal De benytte en strømforstyrning, der er beskyttet mod reststrøm.** Brug af en enhed til beskyttelse mod reststrøm mindsker risikoen for elektrisk stød.
7. **Brug af en strømforstyrning med en fejlstrømsafbryder med en nominal reststrøm på 30 mA eller derunder anbefales altid.**
8. **Maskiner kan frembringe elektromagnetiske felter (EMF), som ikke er skadelige for brugeren.** Brugere af pacemakere og lignende medicinsk udstyr bør imidlertid kontakte producenten af deres udstyr og/eller en læge for at få rådgivning, før de bruger denne maskine.
9. **Undlad at berøre strømforsyningsstikket med våde hænder.**
10. **Hvis ledningen er beskadiget, skal du få den udskiftet hos producenten eller dennes agent for at undgå en sikkerhedsrisiko.**

Personlig sikkerhed

1. **Vær opmærksom, hold øje med, hvad De foretager Dem, og udvis sund fornuft ved betjeningen af el-værktøj. Anvend ikke el-værktøj, når De er træt eller påvirket af stoffer, alkohol eller medicin.** Ved brug af el-værktøj kan et enkelt øjeblik uopmærksomhed medføre alvorlig personskade.
2. **Bær personligt beskyttelsesudstyr. Brug altid beskyttelsesbriller.** Beskyttelsesudstyr som f.eks. støvmaske, skridsikre sko, hjelm eller høreværn, der benyttes under de relevante forhold, forebygger personskade.
3. **Forebyg, at el-værktøjet starter ved et uheld. Sørg for, at afbryderen er slået fra, før De sætter el-værktøjet til strømforsyningen og/eller batteriet, tager værktøjet op eller bærer det.** Hvis De bærer el-værktøj med fingeren på afbryderen, eller hvis De sætter strøm til el-værktøj, mens afbryderen er slået til, kan det medføre uheld.
4. **Fjern alle justeringsnøgler eller skruenøgler, før De tænder for el-værktøjet.** En skruenøgle eller nøgle, der sidder på en roterende del af værktøjet, kan forårsage personskade.

5. **Stræk Dem ikke for langt. Bevar til enhver tid fodfæstet og balancen.** Det giver bedre kontrol med el-værktøjet i uventede situationer.
6. **Bær korrekt påklædning. Undlad at bære løs påklædning eller smykker.** Hold hår og tøj væk fra bevægelige dele. Løstsiddende tøj, smykker eller langt hår kan blive indfanget i de bevægelige dele.
7. **Hvis der medfølger udstyr til filtrering og opsamling af støv, skal De sørge for, at udstyret er tilsluttet, og at det anvendes korrekt.** Brug af støvopsamling kan mindske støvrelaterede risici.
8. **Lad ikke det faktum, at du er bekendt med maskiner efter hyppig brug, betyde, at du bliver skodesløs og ignorerer sikkerhedsprincipperne for maskiner.** En uforsigtig handling kan på en brøkdæl af et sekund medføre alvorlig personskade.
9. **Bær altid beskyttelsesbriller for at beskytte dine øjne mod skader, når du bruger maskiner.** Beskyttelsesbrillerne skal overholde ANSI Z87.1 i USA, EN 166 i Europa eller AS/NZS 1336 i Australien/New Zealand. I Australien/New Zealand er det desuden påbudt ved lov at bære ansigtsskærm for at beskytte dit ansigt.



Det er arbejdsgiverens ansvar at påbyde brugerne af maskinen samt andre personer i det umiddelbare arbejdsområde at bære passende sikkerhedsbeskyttelsesudstyr.

Brug og vedligeholdelse af el-værktøjet

1. **Brug ikke magt på el-værktøjet.** Brug det rigtige el-værktøj til formålet. Det rigtige el-værktøj gør hurtigst og bedst det arbejde, som værktøjet er beregnet til.
2. **Brug ikke el-værktøjet, hvis der ikke kan tændes og slukkes på afbryderen.** El-værktøj, der ikke kan kontrolleres med afbryderen, er farligt og skal til reparation.
3. **Tag stikket ud af stikkontakten, og/eller fjern akkuen fra maskinen, hvis den kan tages ud, før du foretager ændringer, skifter tilbehør eller gemmer maskiner af vejen.** Sådanne forebyggende foranstaltninger mindsker risikoen for, at maskinen starter ved et uheld.
4. **Opbevar el-værktøj, der ikke benyttes, utilgængeligt for børn, og lad ikke personer, som ikke er kendt med el-værktøjet eller disse instruktioner, bruge værktøjet.** El-værktøj er farligt i hænderne på uøvede brugere.
5. **Hold maskiner og tilbehør vedlige.** Se efter fejljustering eller binding i bevægelige dele, dele, som er i stykker, og alle andre forhold, som kan påvirke brugen af maskinen. Få maskinen repareret, før den bruges, hvis den er i stykker. Mange uheld skyldes dårlig vedligeholdelse af maskiner.

6. **Hold skæreværktøjer skarpe og rene.** Der er mindre sandsynlighed for, at korrekt vedligeholdte skæreværktøjer med skarpe skærende kanter binder, og de er lettere at kontrollere.
7. **Anvend el-værktøjet, tilbehøret og borespidser osv. i overensstemmelse med disse instruktioner, og tag højde for arbejdsbetingelserne og det arbejde, der skal udføres.** Brug af el-værktøjet til formål, det ikke er beregnet til, kan medføre farlige situationer.
8. **Hold håndtagene og grebfladerne tørre, rene og fri for olie og fedt.** Glatte håndtag og grebflader tillader ikke sikker håndtering og styring af maskinen i uventede situationer.
9. **Undlad at bære arbejdshandsker af tøj under brug af maskinen, da de kan blive viklet ind i maskinen.** Hvis arbejdshandsker af tøj bliver viklet ind i de bevægelige dele, kan det medføre personskade.

Service

1. **Få udført service på el-værktøjet hos en autoriseret mekaniker, og brug kun tilsvarende reservedele.** Derved vedligeholdes el-værktøjets sikkerhed.
2. **Følg instruktionerne for smøring og udskiftning af tilbehør.**

Sikkerhedsinstruktioner for geringsssave

1. **Geringsssave er beregnet til at save i træ eller træliggende produkter. De kan ikke anvendes med slibende afskæringsskiver til at skære i jernholdige metaller som f.eks. bjælker, stænger, stivere osv.** Slibestøv får bevægelige dele som f.eks. den nederste beskyttelsesskærm til at sætte sig fast. Gnister fra slibeskæring vil forbrænde den nederste beskyttelsesskærm, savsnitsindlæg og andre plastikdele.
2. **Brug skruetvinger til at understøtte arbejdsemnet, når som helst det er muligt.** Hvis du understøtter arbejdsemnet i hånden, skal du altid holde hånden mindst 100 mm fra begge sider af savklingen. Anvend ikke denne sav til at skære stykker, der er for små til at kunne fastgøres forsvarligt eller holdes i hånden. Hvis din hånd er placeret for tæt på savklingen, er der større risiko for personskade pga. kontakt med klingen.
3. **Arbejdsemnet skal være i ro og fastgjort eller holdt mod både anslaget og bordet.** Undlad at indføre arbejdsemnet til klingen eller at skære "på frihånd" på nogen måde. Ikke-fastholdte eller bevægelige arbejdsemner kan blive slynget bort ved høj hastighed og forårsage personskade.
4. **Skub saven gennem arbejdsemnet. Undlad at trække saven gennem arbejdsemnet.** For at foretage et snit skal du løfte savhovedet og trække det ud over arbejdsemnet uden at skære, starte motoren, trykke savhovedet nedad og skubbe saven gennem arbejdsemnet. Hvis der skæres på tilbagestrøget, vil det sandsynligvis få savklingen til at klatre op oven på arbejdsemnet og kaste klingemonteringen voldsomt mod operatøren.

5. **Placer aldrig din hånd over den tilsigtede skærelinje, hverken foran eller bag ved savklingen.** Understøttelse af arbejdsemnet med "krydsede hænder", dvs. at holde arbejdsemnet til højre for savklingen med venstre hånd eller omvendt, er meget farligt.
 - **Fig.1**
 6. **Undlad at række bag ved anslaget med nogen af hænderne tættere end 100 mm fra begge sider af savklingen, at fjerne træstykker eller af nogen anden årsag, så længe klingen roterer.** Det er muligvis ikke tydeligt, hvor tæt den roterende savklinge er på din hånd, og du kan komme alvorligt til skade.
 7. **Inspicer arbejdsemnet, før der skæres.** Hvis arbejdsemnet er buet eller skævt, skal du fastgøre det med den uændelige buede side mod anslaget. Sørg altid for, at der ikke er mellemrum mellem arbejdsemnet, anslaget og bordet langs skærelinjen. Buede eller skæve arbejdsemner kan vride sig eller flytte sig og kan medføre binding af den roterende savklinge, mens der skæres. Der må ikke være søm eller fremmedlegemer i arbejdsemnet.
 8. **Undlad at bruge saven, før bordet er ryddet for alle værktøjer, træstykker osv. bortset fra arbejdsemnet.** Små rester eller løse stykker træ eller andre genstande, der kommer i kontakt med den roterende klinge, kan blive slynget bort med høj hastighed.
 9. **Skær kun i ét arbejdsemne ad gangen.** Flere stablede arbejdsemner kan ikke fastgøres eller understøttes tilstrækkeligt og kan binde klingen eller flytte sig under skæringen.
 10. **Sørg for, at geringssaven er monteret eller placeret på en jævn, stabil arbejdsoverflade, før den bruges.** En jævn og stabil arbejdsoverflade mindsker risikoen for, at geringssaven bliver ustabil.
 11. **Planlæg dit arbejde.** Hver gang du ændrer indstillingen for skrå- eller geringsvinkel, skal du sikre dig, at det justerbare anslag er indstillet korrekt til at understøtte arbejdsemnet, og at det ikke kommer i vejen for klingen eller beskyttelsessystemet. Uden at slå maskinen "TIL" og uden arbejdsemne på bordet skal du flytte savklingen gennem et komplet simuleret snit for at sikre dig, at der ikke er noget i vejen eller risiko for at skære i anslaget.
 12. **Sørg for tilstrækkelig understøttelse, for eksempel bordforlængelser, savbukke osv., for et arbejdsemne, der er bredere eller længere end bordpladen.** Arbejdsemner, der er længere eller bredere end geringssavens bord, kan vippe, hvis de ikke er tilstrækkeligt understøttet. Hvis det afskårne stykke eller arbejdsemnet vipper, kan det løfte den nederste beskyttelsesskærm eller blive slynget bort af den roterende klinge.
 13. **Undlad at bruge en anden person som erstatning for en bordforlængelse eller som ekstra støtte.** Ustabil understøttelse af arbejdsemnet kan få klingen til at binde eller arbejdsemnet til at flytte sig under skæringen, så du selv og hjælperen bliver trukket ind i den roterende klinge.
 14. **Det afskårne stykke må ikke på nogen måde sidde fast eller blive trykket imod den roterende savklinge.** Hvis det begrænses, for eksempel med længdestopper, kan det afskårne stykke blive klemt mod klingen og slynget voldsomt bort.
 15. **Brug altid en skruevinge eller et stykke inventar, der er beregnet til støtte rundt omkring materialer som f.eks. stænger eller rør.** Stænger har tendens til at rulle, når de skæres, hvilket får klingen til at "bide" og trække emnet med din hånd ind i klingen.
 16. **Lad klingen nå fuld hastighed, før den sættes mod arbejdsemnet.** Dette reducerer risikoen for, at arbejdsemnet slynges bort.
 17. **Sluk for geringssaven, hvis arbejdsemnet eller klingen klemmer sig fast.** Vent, til alle bevægelige dele er stoppet, og tag stikket ud af strømkilden og/eller fjern akkuen. Begynd derefter at frigøre det fastklemt materiale. Fortsat savning med et fastklemt arbejdsemne kan medføre, at du mister kontrollen, eller beskadigelse af geringssaven.
 18. **Når et snit er færdigt, skal du slippe afbryderen, holde savhovedet nede og vente, til klingen er stoppet, før du fjerner det afskårne stykke.** Det er farligt at stikke hånden hen til klingen, mens den stadig kører.
 19. **Brug kun savklingen med den diameter, der er markeret på maskinen eller angivet i vejledningen.** Brug af en savklinge med forkert størrelse kan muligvis påvirke den korrekte afskærmning af savklingen eller beskyttelsesskærmens funktion, hvilket muligvis kan medføre alvorlig personskade.
 20. **Brug kun savklinger, der er mærket med en hastighed svarende til eller større end den hastighed, der er angivet på maskinen.**
 21. **Undlad at bruge saven til at skære i andre materialer end de angivne.**
 22. **(kun for europæiske lande)**
Brug altid klingen, der er i overensstemmelse med EN847-1, hvis den er beregnet til træ og lignende materialer.
- Yderligere instruktioner**
1. **Gør dit værktøds bæringssekkert med hængelåse.**
 2. **Stå aldrig på maskinen.** Det kan medføre alvorlig personskade, hvis maskinen vælter, eller ved utilsigtet kontakt med skæremaskinen.
 3. **Lad aldrig maskinen køre uovervåget. Sluk for strømmen.** Gå ikke fra maskinen, før den er stoppet helt.
 4. **Anvend ikke saven, uden at beskyttelsesskærmene er på plads.** Kontrollér beskyttelsesskærmen for korrekt funktion før hver brug. Anvend ikke saven, hvis beskyttelsesskærmen ikke bevæger sig frit og lukker øjeblikkeligt. Beskyttelsesskærmen må aldrig klemmes eller bindes til åben position.
 5. **Hold hænderne væk fra savklingens bane.** Undgå kontakt med en savklinge, der kører. Den kan stadig forårsage alvorlig personskade.
 6. **For at reducere risikoen for personskade skal du sætte slæden tilbage til den bageste position efter hvert tværsnit.**

7. Fastgør altid bevægelige dele, før maskinen transporteres.
 8. Stopstiften eller stoparmen, som låser savhovedet nede, er kun beregnet til transport- og opbevaringsformål og ikke til nogen form for skæring.
 9. Kontrollér savklingen omhyggeligt for revner eller skader før anvendelse. Udskift en revnet eller beskadiget savklinge med det samme. Gummi og træbæg, der er hærdet på savklinger, gør saven langsommere og øger risikoen for tilbageslag. Hold savklingen ren ved først at tage den ud af maskinen og derefter rense den med gummi- og begjerner, varmt vand eller petroleum. Undlad at bruge benzin til at rense savklingen.
 10. Mens du udfører et glidende snit, kan der forekomme TILBAGESLAG. TILBAGESLAG opstår, når savklingen binder i arbejdsemnet under en skæring, og savklingen drives hurtigt mod operatøren. Det kan medføre tab af kontrol og alvorlig personskade. Hvis savklingen begynder at binde under en skæring, må du ikke fortsætte med at skære, men slip kontakt med det samme.
 11. Anvend kun flanger, der er anbefalet til brug med denne maskine.
 12. Pas på ikke at beskadige akslen, flangerne (især monteringsfladen) eller boltene. Beskadigelse af disse dele kan medføre brud på savklingen.
 13. Sørg for, at drejeskiven er fastlåst og ikke bevæger sig under brug. Brug hullerne i foden til at fastgøre saven til en stabil arbejdsplatform eller bænk. Anvend ALDRIG maskinen, hvis operatørens position kan blive akavet.
 14. Sørg for, at spindellåsen er løsnet, før der tændes på afbryderen.
 15. Sørg for, at savklingen ikke kommer i kontakt med drejeskiven i den nederste position.
 16. Hold godt fast i håndtaget. Vær opmærksom på, at saven ved start og stop bevæger sig let op og ned.
 17. Sørg for, at savklingen ikke kommer i kontakt med arbejdsemnet, før kontakten tændes.
 18. Før du bruger maskinen på et egentligt arbejdsemne, skal du lade den køre et stykke tid. Hold øje med vibrationer eller slør, der kan være tegn på dårlig montering eller en dårlig afbalanceret savklinge.
 19. Afbryd straks anvendelsen, hvis du bemærker noget unormalt under brugen.
 20. Forsøg aldrig at fastlåse afbryderen i "TIL"-stillingen.
 21. Anvend altid kun det tilbehør, der er anbefalet i denne brugsanvisning. Anvendelse af forkert tilbehør, eksempelvis slibeskiver, kan medføre personskade.
 22. Nogle materialer indeholder kemikalier, der kan være giftige. Sørg omhyggeligt for at undgå at indånde støv samt kontakt med huden. Følg materialeleverandørens sikkerhedsdata.
- Yderligere sikkerhedsregler for anvendelse af lampen
1. Undlad at se direkte ind i lyset, og undlad se direkte ind i lyskilden.

GEM DISSE FORSKRIFTER.

⚠ ADVARSEL: LAD IKKE bekvemmelighed eller kendskab til produktet (opnået gennem gentagen brug) forhindre, at sikkerhedsforskrifterne for produktet nøje overholdes. MISBRUG eller forsømmelse af at følge de i denne brugsvejledning givne sikkerhedsforskrifter kan medføre alvorlig personskade.

BESKRIVELSE AF DELENE

► Fig.2

1	Justeringskrue (til nedre grænseposition)	2	Stoparm	3	Støvpose	4	Fingerskrue (til glidning af slæden)
5	Viser (til skråvinkel)	6	Skråvinkelskala	7	Skydestang	8	Lodret skruestik
9	Glidende anslag	10	Justeringsbolt til 0 (til skråvinkel)	11	Anslag	12	Undergrundplade
13	Drejeskive	14	Geringsvinkelskala	15	Viser (til geringsvinkel)	16	Indlægsplade
17	Justeringsbolt (til drejeskive)	18	Låsearm (til drejeskive)	19	Indstillingsgreb (til drejeskive)	20	Beskyttelsesskærm til støvopsamling
21	Beskyttelsesskærm	22	Lampe	23	Håndtag (til anvendelse)	24	Afbryderknap
25	Hul til hængelås	26	Aflåseknop	27	Bærehåndtag	-	-

► Fig.3

1	Lampekontakt	2	Spindellås	3	Justeringsbolt (til maksimal skæredybde)	4	Stopstift (til hævnning af slæden)
5	Indstillingsplade	6	Sekskantnøgle	7	Justeringsbolt til 45° (til skråvinkel)	8	Håndtag (til skråvinkel)
9	Udløserknap (til skråvinkel)	-	-	-	-	-	-

MONTERING

Montering på bæk

⚠ ADVARSEL: Sørg for, at værktøjet ikke bevæger sig på understøttelsesfladen. Hvis gerings-saven bevæger sig på understøttelsesfladen under skæringen, risikerer De at miste herredømmet over saven og komme alvorligt til skade.

1. Fastgør bunden til en jævn og stabil overflade, og skru den fast med boltene. Dette hjælper med at forhindre, at den tipper med personskaade til følge.

► **Fig.4:** 1. Bolt 2. Monteringshul

2. Drej justeringsbolten i retningen med eller mod uret, så den kommer i berøring med gulvfladen, hvorved værktøjet holdes stabil.

► **Fig.5:** 1. Justeringsbolt

FUNKTIONSBESKRIVELSE

⚠ ADVARSEL: Sørg altid for, at der er slukket for maskinen, og at stikket er taget ud af stikkontakten, før du justerer maskinen eller kontrollerer dens funktion. Hvis du ikke slukker for maskinen og tager den ud af forbindelse, kan det medføre alvorlig personskaade forårsaget af utilsigtet start.

Håndtagslås

⚠ FORSIGTIG: Hold altid i håndtaget, når stopstiften frigøres. Ellers springer håndtaget op, hvilket kan medføre personskaade.

Når maskinen leveres, er håndtaget låst i den sænkede position med stopstiften. For at låse håndtaget op skal du trække i stopstiften, mens du sænker håndtaget en smule.

► **Fig.6:** 1. Stopstift

Skydelås

Løsn fingerskruen på armen for at muliggøre slædens glidende bevægelse. Flyt slæden til den ønskede position og tilspænd derefter fingerskruen forsvarligt for at låse slædens glidende bevægelse.

► **Fig.7:** 1. Fingerskrue 2. Arm

Beskyttelsesskærm

⚠ ADVARSEL: Undlad at forbikoble eller afmontere beskyttelsesskærmen eller fjederen, som er fastgjort til beskyttelsesskærmen. En blottet rundsavsklinge som følge af en forbikoblet beskyttelsesskærm kan medføre alvorlig personskaade under anvendelse.

⚠ ADVARSEL: Undlad at bruge maskinen, hvis beskyttelsesskærmen eller fjederen er beskadiget, defekt eller afmonteret. Anvendelse af maskinen med en beskadiget, defekt eller afmonteret beskyttelsesskærm kan medføre alvorlig personskaade.

⚠ FORSIGTIG: Hold altid beskyttelsesskærmen i god stand for sikker brug. Hold øjeblikkeligt op med brugen, hvis der er uregelmæssigheder i beskyttelsesskærmen. Bekræft, at de fjederbelastede beskyttelsesskærme returnerer.

Når De sænker grebet, hæves beskyttelsesskærmen automatisk. Beskyttelsesskærmen er fjederbelastet og vender tilbage til udgangspositionen, når arbejdet er afsluttet, og grebet atter hæves.

► **Fig.8:** 1. Beskyttelsesskærm

Rengøring

Hvis den gennemsigtige beskyttelsesskærm bliver snavset, eller savsmuld klæber til den gennemsigtige beskyttelsesskærm på en sådan måde, at rundsavsklingen og/eller arbejdsområdet ikke længere er let synlige, skal du tage stikket til maskinen ud af stikkontakten og rengøre beskyttelsesskærmen omhyggeligt med en fugtig klud. Undlad at anvende opløsningsmidler eller petroleumsbaserede rengøringsmidler på plastbeskyttelsesskærmen, da dette kan beskadige beskyttelsesskærmen.

Følg de angivne trin-for-trin-instruktioner om hvordan du gør klar til rengøring.

1. Sørg altid for, at maskinen er slukket og at stikket er taget ud af stikkontakten.

2. Drej bolten med indvendig sekskant mod uret ved hjælp af den medfølgende sekskantsnøgle, idet der holdes på midterafdækningen.

3. Løft beskyttelsesskærmen og midterafdækningen.

4. Når rengøringen er færdig, skal De sætte midterafdækningen tilbage og stramme bolten med indvendig sekskant ved at udføre ovenstående trin i omvendt rækkefølge.

► **Fig.9:** 1. Sekskantsnøgle 2. Bolt med indvendig sekskant 3. Midterafdækning 4. Beskyttelsesskærm

⚠ ADVARSEL: Fjern ikke den fjeder, der holder beskyttelsesskærmen. Hvis beskyttelsesskærmen bliver beskadiget i tidens løb eller på grund af udsættelse for ultraviolet lys, bedes De kontakte et Makita servicecenter for at få den udskiftet. **OMGÅ ELLER AFMONTER IKKE BESKYTTELSESSKÆRMEN.**

Placering af indlægsplader

Denne maskine er udstyret med indlægsplader i drejeskiven med det formål at minimere slitage på udgangssiden for et snit. Indlægspladerne er fra fabriken indstillet således, at rundsavsklingen ikke kommer i berøring med indlægspladerne. Indstil indlægspladerne inden brugen på følgende måde:

1. Sørg for, at stikket til maskinen er taget ud af stikkontakten. Løsn derefter alle skrueene (tre til venstre og tre til højre), der fastgør indlægspladerne.

► **Fig.10:** 1. Indlægsplade 2. Skrue

2. Stram kun skrueene så meget, at indlægspladerne stadig nemt kan flyttes med hånden.

3. Sænk håndtaget helt, og lås derefter håndtaget i den sænkede position med stopstiften.

4. Løsn fingerskruen på armen, der holder slædens glidende bevægelse fast.

Træk slæden helt ind mod dig selv.

► **Fig.11:** 1. Fingerskrue 2. Arm

5. Justér indlægspladerne, så de er tæt på siderne af savklingsens tænder.

► **Fig.12**

► **Fig.13:** 1. Rundsavsklinge 2. Klingetænder
3. Indlægsplade 4. Venstre skråsnit 5. Lige snit

6. Stram de forreste skruer (stram ikke for meget).

7. Skub slæden til positionen mellem den forreste ende af indlægspladerne og anslagene. Justér indlægspladerne, så de er tæt på siderne af savklingsens tænder.

8. Stram midterskrue (stram ikke for meget).

9. Skub slæden helt ind mod anslagene, og justér derefter indlægspladerne, så de er tæt på siderne af savklingsens tænder.

10. Stram de bageste skruer (stram ikke for meget).

11. Frigør stopstiften til håndtagslåsen, og hæv håndtaget. Tilspænd derefter alle skrueerne forsvarligt.

BEMÆRKNING: Sørg for, når skråvinklen er indstillet, at indlægspladerne er korrekt justeret. Korrekt indstilling af indlægspladerne bidrager til at yde den rigtige støtte til arbejdsemnet og gøre risikoen for udvinding minimal.

Vedligeholdelse af maksimal skæredybde

Denne maskine er fabriksindstillet for at give den maksimale skæredybde, for en 216 mm rundsavsklinge.

Når der monteres en ny rundsavsklinge, skal den nedre grænseposition på rundsavsklingen altid kontrolleres og, såfremt det er påkrævet, justeres som beskrevet herunder:

1. Træk stikket til maskinen ud af stikkontakten. Skub derefter slæden helt ind mod anslaget, og sænk håndtaget helt.

2. Brug sekskantnøglen (skruetrækkerens side) til at dreje justeringsbolten, indtil rundsavsklingen sidder lidt under det sted, hvor anslaget og den øverste flade af drejeskiven mødes.

► **Fig.14:** 1. Justeringsbolt 2. Anslag

► **Fig.15**

3. Drej rundsavsklingen med hånden, mens du holder håndtaget helt nede for at sikre, at rundsavsklingen ikke kommer i berøring med nogen del af den nederste bund. Justér om nødvendigt den maksimale skærekapacitet igen.

⚠ ADVARSEL: Når du har monteret en ny rundsavsklinge, og stikket til maskinen er taget ud af stikkontakten, skal du altid sørge for, at rundsavsklingen ikke kommer i berøring med nogen del på den nederste bund, når håndtaget er sænket helt ned. Hvis rundsavsklingen kommer i berøring med bunden, kan det forårsage tilbageslag og resultere i alvorlig personskade.

► **Fig.16**

Stoparm

Savklingsens nederste grænseposition kan nemt justeres med stoparmen. For at justere den nederste grænse skal du dreje stoparmen i pilens retning som vist på figuren. Drej justeringsskruen, så savklingen stopper i den ønskede position, når håndtaget sænkes helt.

► **Fig.17:** 1. Stoparm 2. Justeringsskruer

Justering af geringsvinklen

⚠ FORSIGTIG: Efter ændring af geringsvinklen skal drejeskiven altid sikres ved, at indstillingsgrebet strændes stramt til.

BEMÆRKNING: Når drejeskiven drejes, skal håndtaget været helt hævet.

Drej indstillingsgrebet mod uret for at låse drejeskiven op. Drej indstillingsgrebet, mens du holder låsearmen oppe for at flytte drejeskiven. Justér viseren med den ønskede vinkel i geringsvinkelskalaen, og tilspænd derefter indstillingsgrebet.

► **Fig.18:** 1. Låsearm 2. Indstillingsgreb 3. Viser

Fast stop-funktion

Denne geringssav har en fast stop-funktion. Du kan hurtigt indstille en geringsvinkel på 0°, 15°, 22,5°, 31,6° og 45° mod højre/venstre. For at bruge denne funktion skal du flytte drejeskiven tæt på den ønskede faste stopvinkel, mens du holder låsearmen oppe. Slip derefter låsearmen, og flyt drejeskiven til den ønskede faste stopvinkel, indtil drejeskiven er låst.

Justering af skråvinklen

⚠ FORSIGTIG: Når du har ændret skråvinklen, skal du altid sikre armen ved at tilspænde håndtaget med uret.

BEMÆRKNING: Afmontér altid den lodrette skruestik, før du justerer skråvinklen.

BEMÆRKNING: Når rundsavsklingen vippes, skal du sørge for, at slæden er helt hævet.

BEMÆRKNING: Når skråvinklerne ændres, skal du sørge for at genplacere indlægspladerne korrekt, som forklaret i afsnittet for placering af indlægsplader.

BEMÆRKNING: Undlad at tilspænde håndtaget for hårdt. Hvis du gør det, kan det medføre funktionsfejl i skråvinklens låsemekanisme.

Sådan vippes rundsavsklingen til venstre 0° - 45°

1. Drej håndtaget mod uret.
 2. Hold i håndtaget og vip slæden mod venstre.
 3. Justér viseren med den ønskede vinkel i skråvinkelskalaen.
 4. Tilspænd håndtaget med uret for at fastgøre armen.
- **Fig.19:** 1. Håndtag 2. Håndtag 3. Viser
4. Skråvinkelskala

Sådan vippes rundsavsklingen ud over venstre 0° - 45°

1. Drej håndtaget mod uret.
2. Hold i håndtaget, og indstil slæden ved 0° i højre side af 2°, eller ved 45° i venstre side af 47°.
3. Vip slæden en smule til modsatte side.
4. Tryk på udløserknappen.
5. Vip slæden til den ønskede position uden for området 0° - 45°.
6. Tilspænd håndtaget med uret for at fastgøre armen.

Når slæden vippes 2° til højre

► Fig.20: 1. Håndtag 2. Håndtag 3. Udløserknap

Når slæden vippes 47° til venstre

► Fig.21: 1. Håndtag 2. Håndtag 3. Udløserknap

Afbryderfunktion

⚠ ADVARSEL: Før maskinen tilkobles, skal du altid kontrollere, at afbryderknappen aktiveres korrekt og går tilbage i "FRA"-stillingen, når den slippes. Tryk ikke hårdt på afbryderknappen uden først at trykke aflåseknappen ind. Dette kan ødelægge afbryderen. Anvendelse af maskinen med en afbryder, som ikke fungerer korrekt, kan medføre tab af kontrollen over maskinen og alvorlig personskade.

⚠ ADVARSEL: Anvend ALDRIG maskinen, hvis afbryderknappen ikke fungerer, som den skal. Enhver maskine med en ikke-fungerende afbryderknap er YDERST FARLIG og skal repareres før yderligere anvendelse, da det ellers kan medføre alvorlig personskade.

⚠ ADVARSEL: Omgå ALDRIG lås fra-knappens funktion ved at tape den fast eller på andre måder. En afbryder med en blokeret lås fra-knap kan medføre utilsigtet funktion og alvorlig personskade.

⚠ ADVARSEL: Brug ALDRIG maskinen, hvis den kører, når du blot trykker på afbryderknappen uden at trykke på lås fra-knappen. En afbryder, der skal repareres, kan medføre utilsigtet funktion og alvorlig personskade. Returner maskinen til et Makita-servicecenter for nødvendige reparationer INDEN yderligere brug.

For at forhindre, at afbryderknappen trykkes ind ved et uheld, er maskinen udstyret med en aflåseknap. Maskinen startes ved at trykke aflåseknapen ind og derefter trykke på afbryderknappen. Slip afbryderknappen for at stoppe.

Afbryderknappen er forsynet med et hul til indsættelse af en hængelås, så maskinen kan aflåses.

► Fig.22: 1. Afbryderknap 2. Aflåseknap 3. Hul til hængelås

⚠ ADVARSEL: Anvend ikke en lås med et skaft eller et kabel, som er mindre end 6,35 mm i diameter. Et mindre skaft eller kabel vil muligvis ikke låse maskinen i fra-stilling, og utilsigtet brug kan ske med alvorlig personskade som følge.

Kastning af en skærelinje

⚠ FORSIGTIG: Lampen er ikke regntæt. Undlad at vaske lampen i vand eller at bruge den i regnvejre eller i et vådt område. Hvis du gør dette, kan det medføre elektrisk stød og dampe.

⚠ FORSIGTIG: Undlad at berøre lampens linse, da den er meget varm, når den er tændt, eller kort efter der er slukket for den. Det kan medføre forbrændinger.

⚠ FORSIGTIG: Undlad at bruge magt på lampen, da det kan medføre beskadigelse eller forkorte dens levetid.

⚠ FORSIGTIG: Kig aldrig direkte på lyskilden. Lad ikke lyset falde i Deres øjne.

LED-lampen kaster et lys over rundsavsklingen, og en skygge af savklingen falder ned på et arbejdsemne, der fungerer som en kalibreringsfri skærelinjeindikator. Tryk på lampekontakten for at tænde lyset. Der vises en linje, hvor savklingen vil møde arbejdsemnets overflade og bliver dybere, når savklingen sænkes.

► Fig.23: 1. Lampekontakt 2. Lampe 3. Skærelinje

Indikatoren hjælper med at skære gennem en eksisterende afskæringslinje, som er markeret med blyant på arbejdsemnet.

1. Hold i håndtaget, og sænk rundsavsklingen, så der kastes en tæt skygge af savklingen på arbejdsemnet.
2. Ret afskæringslinjen, som er tegnet på arbejdsemnet, ind med skyggeskærelinjen.
3. Juster geringsvinkler og skråvinkler om nødvendigt.

BEMÆRK: Sørg for at slukke for lampekontakten efter brug. Ellers bliver lampen ved med at være varm.

SAMLING

⚠ ADVARSEL: Sørg altid for, at der er slukket for maskinen, og at stikket er taget ud af stikkontakten, før du arbejder på maskinen. Hvis maskinen ikke slukkes og tages ud af stikkontakten, kan det medføre alvorlig personskade.

Opbevaring af unbrakonøgle

Når unbrakonøglen ikke anvendes, skal den opbevares som vist på illustrationen, så den ikke bortkommer.

► Fig.24: 1. Unbrakonøgle

Montering eller afmontering af rundsavsklinge

⚠ ADVARSEL: Sørg altid for, at maskinen er slukket og at stikket er taget ud af stikkontakten, før du afmonterer og monterer rundsavsklingen. Utilslaget opstår af maskinen kan medføre alvorlige personskade.

⚠ ADVARSEL: Brug kun den medfølgende Makita-nøgle til afmontering og installation af rundsavsklingen. Hvis du ikke bruger sekskantnøglen, kan det medføre en for hård eller for let tilspænding af bolten med indvendig sekskant og alvorlig personskade.

⚠ ADVARSEL: Brug aldrig eller udskift de dele, der ikke er leveret sammen med dette værktøj. Brugen af sådanne dele kan forårsage alvorlige personskader.

⚠ ADVARSEL: Efter montering af rundsavsklingen skal du altid sikre dig, at den er forsvarligt monteret. Løs monteringen af rundsavsklingen kan forårsage alvorlige personskader.

Almindelige forberedelser til montering eller afmontering af rundsavsklingen

1. Lås slæden op ved at trække i stopstiften, og flyt derefter slæden til den hævdede position.
2. Løsn bolten med indvendig sekskant, der holder midterafdækningen, ved hjælp af sekskantnøglen. Løft derefter beskyttelsesskærmen og midterafdækningen.
▶ **Fig.25:** 1. Sekskantnøgle 2. Bolt med indvendig sekskant 3. Midterafdækning 4. Beskyttelsesskærm

Montering af rundsavsklingen

⚠ FORSIGTIG: Sørg for at montere rundsavsklingen, så pilens retning på rundsavsklingen stemmer overens med den på klingehuset. Manglende overholdelse kan medføre personskade og beskadige maskinen og/eller arbejdsmøntet.

1. Udfør trinene i "Almindelige forberedelser til montering eller afmontering af rundsavsklingen".
2. Tryk på spindellåsen, så spindelen låses, og anvend sekskantnøglen til at løsne bolten med indvendig sekskant i retningen med uret. Fjern derefter bolten med indvendig sekskant, den ydre flange og rundsavsklingen.
▶ **Fig.26:** 1. Bolt med indvendig sekskant (venstreskåret gevind) 2. Ydre flange 3. Spindellås
3. Monter rundsavsklingen forsigtigt på den indre flange. Kontroller, at retningen af pilen på rundsavsklingen svarer til retningen af pilen på klingehuset.
▶ **Fig.27:** 1. Pil
4. Montér den ydre flange og bolten med indvendig sekskant. Tilspænd bolten med indvendig sekskant (venstreskåret) sikkert mod uret ved hjælp af sekskantnøglen, mens du trykker på spindellåsen.
▶ **Fig.28:** 1. Bolt med indvendig sekskant (venstreskåret) 2. Ydre flange 3. Rundsavsklinge 4. Ring 5. Indre flange 6. Spindel
- ▶ **Fig.29:** 1. Bolt med indvendig sekskant (venstreskåret gevind) 2. Ydre flange 3. Spindellås

5. Sæt beskyttelsesskærmen og midterafdækningen tilbage på plads. Stram dernæst bolten med indvendig sekskant på midterafdækningen til for at holde den på plads.

Sænk slæden, og kontrollér, at beskyttelsesskærmen bevæger sig korrekt.

- ▶ **Fig.30:** 1. Sekskantnøgle 2. Bolt med indvendig sekskant 3. Midterafdækning 4. Beskyttelsesskærm

Afmontering af rundsavsklingen

1. Udfør trinene i "Almindelige forberedelser til montering eller afmontering af rundsavsklingen".
2. Tryk på spindellåsen for at låse spindelen. Løsn bolten med indvendig sekskant med uret ved hjælp af sekskantnøglen. Afmontrér derefter bolten med indvendig sekskant, den ydre flange og rundsavsklingen.
▶ **Fig.31:** 1. Bolt med indvendig sekskant (venstreskåret gevind) 2. Ydre flange 3. Spindellås
3. Hvis den indre flange er afmonteret, skal den monteres på spindelen med klingemonteringsdelen vendt mod rundsavsklingen. Hvis flangen er monteret forkert, vil flangen gnide mod maskinen.
▶ **Fig.32:** 1. Bolt med indvendig sekskant (venstreskåret) 2. Ydre flange 3. Rundsavsklinge 4. Ring 5. Indre flange 6. Spindel

BEMÆRKNING: Pas på ikke at miste den afmonterede ydre flange og bolten med indvendig sekskant.

Tilslutning af en støvsuger

Hvis du ønsker at udføre en ren skæreoperation, skal du tilslutte en Makita-støvsuger.

BEMÆRKNING: Afhængigt af typen af støvsuger og slange, der anvendes, kan støvopsamlingsporten være blokeret af beskyttelsesskærmen til støvopsamling, hvilket gør det umuligt at opsamle støv. I så fald skal du svække støvsugerens sugsevne.

- ▶ **Fig.33:** 1. Beskyttelsesskærm til støvopsamling

Støvpøse

⚠ FORSIGTIG: Når der udføres skæring, skal du altid montere støvpøsen eller tilslutte støvsugeren for at forhindre støvrelaterede risici.

Brug af støvpøsen gør skæring ren og støvopsamling let. Fastgør støvpøsen ved at sætte støvpøsen på støvmundstykket.

- ▶ **Fig.34:** 1. Støvpøse 2. Støvmundstykke

Når støvpøsen er cirka halvt fyldt, tages den af maskinen, og lukkeskinnen trækkes ud. Tøm støvpøsen, og bank let på den, så de støvpartikler, der har samlet sig på de indvendige flader, og som kan nedsætte effektiviteten af støvopsamlingen, fjernes.

- ▶ **Fig.35:** 1. Lukkeskinne

Fastspænding af arbejdsemnet

⚠ ADVARSEL: Det er yderst vigtigt altid at sørge for, at arbejdsemnet er ordentligt fastspændt i den rigtige type skruestik. Forsømmelse af at gøre dette kan medføre alvorlig personskade og forvoldte skade på værktøjet og/eller arbejdsemnet.

⚠ ADVARSEL: Efter en skæring må savklingen ikke hæves, før den er standset helt. Hvis du hæver en savklinge, der stadig kører, kan det medføre alvorlig personskade og beskadigelse af arbejdsemnet.

⚠ ADVARSEL: Når du skærer et arbejdsemne, der er længere end geringssavens støtteplade, skal materialet understøttes i hele længden ud over støttepladen og i samme højde for at holde materialet plant. Korrekt understøttelse af arbejdsemnet vil bidrage til at undgå fastklemning af klingens og eventuelt tilbageslag, som kan resultere i alvorlig personskade. Undlad udelukkende at stole på den lodrette skruestik til fastgørelse af arbejdsemnet. Tyndt materiale har en tendens til at hænge. Understøt arbejdsemnet i hele dets længde for at undgå fastklemning af klingens og muligt TILBAGESLAG.

► Fig.36: 1. Støtte 2. Drejeskive

Anslag

⚠ ADVARSEL: Før du betjener maskinen, skal du sørge for, at det glidende anslag er fastgjort forsvarligt med blokeringsskruen.

⚠ ADVARSEL: Før du udfører et skrånsnit, skal du sikre dig, at ingen del af maskinen, især rundsavsklingen, kommer i berøring med anlagnene, når du sænker og hæver håndtaget i en vilkårlig position, og når du bevæger slæden gennem hele dens bevægelsesområde. Hvis maskinen eller rundsavsklingen kommer i berøring med anlaget, kan det resultere i tilbageslag eller uventet bevægelse af materialet og alvorlig personskade.

Denne maskine er udstyret med det glidende anslag. Når du udfører venstre skrånsnit, skal du løse blokeringsskruen og flytte det glidende anslag, så det ikke hindrer slædens bevægelse. Fastgør det glidende anslag ved at tilspænde blokeringsskruen.

► Fig.37: 1. Glidende anslag 2. Anslag 3. Blokeringsskruen

Lodret skruestik

⚠ ADVARSEL: Emnet bør være helt fastspændt mod drejeskiven og anlaget med skruestikken under alle typer arbejde. Hvis emnet ikke er ordentligt fastgjort mod anlaget, kan materialet bevæge sig under skæringen med risiko for beskadigelse af savklingen, hvilket vil få materialet til at blive slynget bort og medføre manglende kontrol og dermed forårsage alvorlige personskader.

Den lodrette skruestik kan monteres i hullerne på venstre side af bunden, højre side af bunden eller venstre side af undergrundpladen. Tryk arbejdsemnet fladt mod anlaget og drejeskiven. Juster arbejdsemnet til den ønskede skrånsnitposition, og fastgør det ved at stramme skruenknappen.

Sørg for, at ingen del af maskinen kommer i berøring med den lodrette skruestik, når du sænker håndtaget helt. Hvis en del kommer i berøring med den lodrette skruestik, skal den lodrette skruestik omplaceres.

► Fig.38: 1. Hul 2. Skruenknapp

Undergrundplade

⚠ ADVARSEL: Understøt altid et langt arbejdsemne således, at det flugter med drejeskivens øverste overflade, således at skæringen bliver nøjagtig, og for at undgå farligt tab af kontrollen med maskinen. En ordentlig understøttelse af arbejdsemnet vil bidrage til at undgå fastklemning af klingens og eventuelt tilbageslag, hvilket kan medføre alvorlig personskade.

⚠ ADVARSEL: Før du skærer, skal du altid sikre dig, at undergrundpladen er fastgjort med fingerskruerne.

For at holde lange arbejdsemner vandret er der placeret undergrundplader på begge sider af maskinen. Løsn fingerskruerne, og forlæng undergrundpladerne til den passende længde til at holde arbejdsemnet. Tilspænd derefter fingerskruerne.

► Fig.39: 1. Undergrundplade 2. Fingerskrue

Når du skærer, skal du placere arbejdsemnet fladt mod anlagnene.

► Fig.40: 1. Anslag 2. Undergrundplade

ANVENDELSE

Dette værktøj er beregnet til at skære i træprodukter. Der kan også saves i følgende materialer med passende originale Makita-savklinger:

— Aluminiumsprodukter

Se vores hjemmeside eller kontakt din lokale Makita forhandler for at få oplyst de korrekte rundsavklinger til brug for det materiale, der skal skæres.

⚠ ADVARSEL: Sørg for, at savklingen ikke kommer i berøring med arbejdsemnet osv., før der tændes for kontakten. Hvis maskinen tændes, mens savklingen er i berøring med arbejdsemnet, kan det resultere i tilbageslag og alvorlig personskade.

⚠ ADVARSEL: Efter en skæring må savklingen ikke hæves, før den er standset helt. Hvis du hæver en savklinge, der stadig kører, kan det medføre alvorlig personskade og beskadigelse af arbejdsemnet.

⚠ ADVARSEL: Undlad at udføre nogen justering som f.eks. at dreje indstillingsgreb, knap og håndtag på maskinen, mens savklingen roterer. Justering, mens savklingen roterer, kan medføre alvorlig personskade.

⚠ FORSIGTIG: Undlad at frigøre savhovedet ukontrolleret fra den heldnådgående position. Et ukontrolleret savhoved kan ramme dig og resultere i personskade.

BEMÆRKNING: Før brugen skal du sørge for at låse stopstiften op og frigøre håndtaget fra den nederste stilling.

BEMÆRKNING: Læg ikke for meget tryk på håndtaget, når der saves. Et for kraftigt tryk kan resultere i overbelastning af motoren og/eller formindsket saveeffektivitet. Tryk kun håndtaget ned med så megen kraft, som der kræves for at udføre ubesværet savning, og uden at klingens hastighed reduceres ret meget.

BEMÆRKNING: Tryk forsigtigt håndtaget ned for at udføre skæringen. Hvis håndtaget trykkes ned med magt, eller hvis det udsættes for sidelæns tryk, kan savklingen vibrere og efterlade mærker (savmærker) i arbejdsemnet, og skæringen vil muligvis ikke være nøjagtig.

BEMÆRKNING: Ved glidende snit skal slæden forsigtigt skubbes mod anslaget uden at stoppe. Hvis slædens bevægelse stoppes under en skæring, vil der komme et mærke på arbejdsemnet, og snittet vil muligvis ikke være nøjagtigt.

Savning ved tryk

⚠ ADVARSEL: Lås altid slædens glidebevægelse, når der udføres en savning ved tryk. Savning uden lås kan medføre risiko for tilbageslag, hvilket kan føre til alvorlig personskade.

Arbejdsemner op til 65 mm i højden og 80 mm i bredden kan saves på følgende måde.

1. Skub slæden mod anslaget, indtil den stopper, og lås den med fingerskruen.
2. Fastspænd arbejdsemnet med den rigtige type skruestik.
3. Tænd for maskinen uden at rundsavsklingen får kontakt med arbejdsemnet, og vent indtil rundsavsklingen har opnået sin højeste hastighed, inden du sænker den.
4. Sænk derefter grebet forsigtigt til den helt sænkede position for at skære arbejdsemnet.
5. Når afskæringen er færdig, skal du slukke for maskinen og vente indtil rundsavsklingen er standset helt, før rundsavsklingen returneres til sin fuldt hævede position.

► Fig.41: 1. Fingerskrue

Glidende (tryk) snit (skæring af brede arbejdsemner)

⚠ ADVARSEL: Når De udfører et glidende snit, skal slæden først trækkes hele vejen mod Dem, mens grebet trykkes helt ned, og derefter skubbes slæden fremad mod anslaget. Start aldrig skæringen, hvis slæden ikke er trukket hele vejen mod Dem. Hvis De foretager det glidende snit, uden at slæden er trukket hele vejen mod Dem, kan der opstå uventede tilbageslag med alvorlig personskade til følge.

⚠ ADVARSEL: Forsøg aldrig at udføre et glidende snit ved at trække slæden mod Dem. Hvis De trækker slæden mod Dem under skæring, kan der opstå uventede tilbageslag, hvilket kan medføre med alvorlig personskade.

⚠ ADVARSEL: Udfør aldrig savning ved gliden med håndtaget låst i den nederste position.

1. Løsn fingerskruen, så slæden kan glide frit.
2. Fastspænd arbejdsemnet med den rigtige type skruestik.
3. Træk slæden helt imod dem.
4. Tænd for maskinen, uden at rundsavsklingen kommer i berøring, og vent, indtil savklingen når fuld hastighed.
5. Tryk håndtaget ned, og **skub slæden frem mod anslaget og gennem arbejdsemnet.**
6. Når skæringen er færdig, skal du slukke for maskinen og **vente, indtil savklingen er standset helt, før du sætter savklingen tilbage i sin helt hævede position.**

► Fig.42: 1. Fingerskrue

Geringsssnit

Se afsnittet om justering af geringsvinklen.

Skråsnit

⚠ ADVARSEL: Når du har indstillet savklingen til et skråsnit, skal du sikre dig, at slæden og savklingen kan bevæge sig uhindret gennem hele området for det planlagte snit, før maskinen betjenes. Afbrydelse af slædens eller klingens bevægelse under skæringen kan resultere i tilbageslag og alvorlig personskade.

⚠ ADVARSEL: Hold hænderne væk fra savklingens bane, mens du udfører et skråsnit. Savklingens vinkel kan forvirre operatøren med hensyn til klingens faktiske bane under skæringen, og berøring med savklingen kan forårsage alvorlig personskade.

⚠ ADVARSEL: Savklingen må ikke hæves, før den er standset helt. Under et skråsnit kan det afskårne stykke komme til at hvile mod savklingen. Hvis savklingen hæves, mens den roterer, kan det afskårne stykke blive slynget ud af savklingen, hvilket kan forårsage en fragmentering af materialet og medføre alvorlig personskade.

BEMÆRKNING: Når du trykker håndtaget ned, skal du påføre trykket parallelt med savklingen. Hvis der påføres magt vinkelret på drejeskiven, eller hvis trykretningen ændres under skæringen, forringes skæringens præcision.

1. Indstil det glidende anslag til venstre for at forhindre, at slæden kommer i berøring.
2. Lås stopstiften op, og løsn fingerskruen på armen, så slæden kan hæves og glide frit.
3. Justér skråvinklen i overensstemmelse med den procedure, der er forklaret i afsnittet om justering af skråvinklen. Tilspænd derefter indstillingsgrebet.
4. Fastspænd arbejdsemnet i skruestikken.
5. Træk slæden helt imod dig.
6. Tænd for maskinen, uden at rundsavsklingen kommer i berøring, og vent, indtil rundsavsklingen opnår fuld hastighed.
7. Sænk forsigtigt håndtaget til den helt sænkede position, mens du påfører tryk parallelt med rundsavsklingen, og **skub slæden mod anslaget for at skære arbejdsemnet.**
8. Når skæringen er færdig, skal du slukke for maskinen og **vente, indtil rundsavsklingen er standset helt, før du sætter savklingen tilbage i sin helt hævede position.**

► Fig.43

Kombineret snit

Kombineret snit er betegnelsen for den proces, hvor der frembringes en skråvinkel, samtidig med at der laves en geringsvinkel i arbejdsområdet. Kombineret snit kan udføres i en vinkel som vist i nedenstående tabel.

Geringsvinkel	Skråvinkel
Venstre og højre 0° - 45°	Venstre 0° - 45°

Når der udføres et kombineret snit, se afsnittet om savning ved tryk, glidende (tryk) snit, geringsnit og skråsnit.

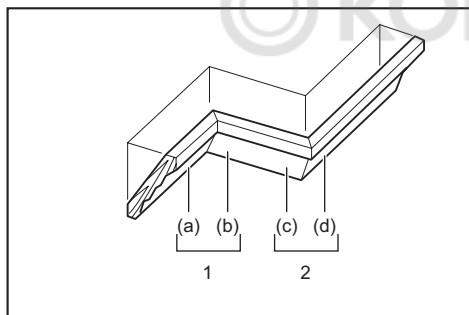
Skærekroner og indskæringsdele

Krone- og indskæringsdele kan skæres med en afkorter-geringsssav med delene placeret fladt på drejeskiven.

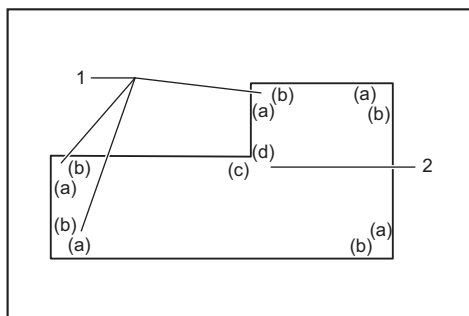
Der er to almindelige typer kronerefspring og en type indskæringsdel, 52/38° vægvinkelkrone-refspring, 45° vægvinkelkrone-refspring og 45° vægvinkelindskæringsdele.

► **Fig.44:** 1. 52/38° type kronerefspring 2. 45° type kronerefspring 3. 45° type indskæringsdel

Der er krone- og indskæringsled, som er lavet til at passe "indvendige" 90° hjørner ((a) og (b) i figuren) og "udvendige" 90° hjørner ((c) og (d) i figuren).



1. Indvendigt hjørne 2. Udvendigt hjørne



1. Indvendigt hjørne 2. Udvendigt hjørne

Måling

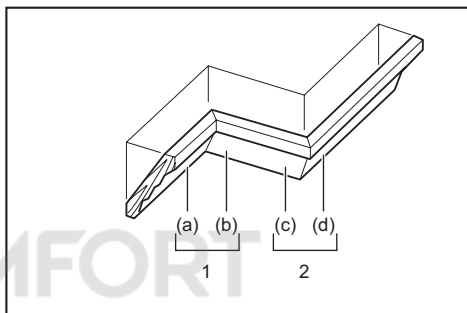
Mål vægbredden, og juster bredden af arbejdsområdet i forhold til denne. Sørg altid for, at bredden af arbejdsområdets vægkontaktkant er den samme som væglængden.

► **Fig.45:** 1. Arbejdsområde 2. Vægbræde 3. Bredde af arbejdsområdet 4. Vægkontaktkant

Anvend altid flere stykker til prøveskæringer for at kontrollere savvinklerne.

Når De skærer kronerefspring og indskæringsdele, skal skråvinklen og geringsvinklen indstilles som indikeret i tabellen (A) og delene på topfladen af savpladen placeres som indikeret i tabellen (B).

Ved venstre skråsnit



1. Indvendigt hjørne 2. Udvendigt hjørne

Tabel (A)

-	Frem-springs-position i figuren	Skråvinkel		Geringsvinkel	
		52/38° type	45° type	52/38° type	45° type
Til indvendigt hjørne	(a)	Venstre 33,9°	Venstre 30°	Højre 31,6°	Højre 35,3°
	(b)			Venstre 31,6°	Venstre 35,3°
Til udvendigt hjørne	(c)			Højre 31,6°	Højre 35,3°
	(d)			Højre 31,6°	Højre 35,3°

Tabel (B)

-	Frem-springs-position i figuren	Frem-springs-kant mod anslag	Færdiggjort stykke
Til indvendigt hjørne	(a)	Loftskontakt-kanten bør hvile mod anslaget.	Det færdige stykke vil være på venstre side af rundsavsklingen.
	(b)	Vægkontakt-kanten bør hvile mod anslaget.	Det færdige stykke vil være på højre side af rundsavsklingen.
Til udvendigt hjørne	(c)	Loftskontakt-kanten bør hvile mod anslaget.	Det færdige stykke vil være på højre side af rundsavsklingen.
	(d)	Vægkontakt-kanten bør hvile mod anslaget.	Det færdige stykke vil være på venstre side af rundsavsklingen.

Eksempel:

I tilfælde af skæring af 52/38° type kronefremspring til stilling (a) i figuren ovenfor:

- Vip og fastgør skråvinkelindstillingen til 33,9° VENSTRE.
- Juster og fastgør geringsvinkelindstillingen til 31,6° HØJRE.
- Læg kronefremspringet med den brede bagside (skjult) nedad på drejeskiven med dens LOFTSKONTAKTKANT mod anslaget på saven.
- Det færdige stykke, som skal anvendes, vil altid være på den VENSTRE side af rundsavsklingen, efter at skæringen er lavet.

Skæring af aluminiumekstrudering

Ved fastgøring af aluminiumekstruderinger skal der benyttes mellemblokke eller stykker af affaldstræ som vist i figuren til at forhindre deformation af aluminiummet. Brug et skæresmøremiddel ved skæring af aluminiumekstruderinger for at forhindre, at der opsamles aluminiumsmateriale på rundsavsklingen.

⚠ ADVARSEL: Forsøg aldrig at skære i tykke eller runde aluminiumekstruderinger. Trykke eller runde aluminiumekstruderinger kan være svære at fastgøre, og arbejdsområdet kan løse sig under skæringen, hvilket kan medføre tab af kontrollen og alvorlig personskade.

- **Fig.46:** 1. Skruestik 2. Mellemblok 3. Anslag 4. Aluminiumekstrudering 5. Mellemblok

Skæring af ensartede længder

Når du skærer flere stykker materiale i samme længde mellem 225 mm til 350 mm, skal du trække indstillingspladen op som vist på figuren.

Fastgør arbejdsområdet i den position, hvor det skal skæres. Skub den højre undergrundplade, så indstillingspladen flugter med enden af arbejdsområdet. Fastgør derefter undergrundpladen med fingerskruen.

- **Fig.47:** 1. Indstillingsplade 2. Fingerskrue

Notskæring

⚠ ADVARSEL: Forsøg ikke at udføre denne type skæring ved at anvende en bredere type klinge eller friseskæringsklinge. Forsøg på at udføre en notskæring med en bredere type klinge eller en friseskæringsklinge kan medføre uventede skæringsresultater og tilbageslag, hvilket kan forårsage alvorlig personskade.

⚠ ADVARSEL: Sørg altid for at sætte stoparmen tilbage til udgangsstillingen, når du udfører andet end notskæring. Forsøg på at udføre skæring med stoparmen i en forkert stilling kan medføre uventede skæringsresultater og tilbageslag, hvilket kan forårsage alvorlig personskade.

Benyt følgende fremgangsmåde for en skæring af frisetyper:

1. Juster den nederste grænseposition for rundsavsklingen ved hjælp af justeringsskruen og stoparmen for at begrænse rundsavsklingens skæredybde. Se afsnittet om stoparm.
2. Efter justering af rundsavsklingens nedre grænseposition, skæres parallelle riller på tværs af emnets bredde ved anvendelse af glidende (tryk) snit.

- **Fig.48:** 1. Riller, der er skåret med savklinge

3. Fjern materialet mellem noterne med en mejsel.

Transport af værktøjet

Før du bærer maskinen, skal du sørge for at tage stikket til maskinen ud af stikkontakt, og at alle maskinens bevægelige dele er fastgjort. Kontrollér altid følgende:

- Stikket til maskinen er taget ud af stikkontakten.
- Slæden er i positionen 0° skråvinkel og fastgjort.
- Slæden er sænket og låst fast.
- Slæden er skubbet helt hen mod dig og låst.
- Drejeskiven er i den helt retvinklede geringsvinkel og fastgjort.

Bær maskinen ved at holde i bærehåndtaget og den ene side af maskinbunden eller ved at holde i begge sider af maskinbunden.

- **Fig.49**

- **Fig.50**

⚠ ADVARSEL: Stopstiften til hævnings af slæden er kun til transport- og opbevarings- og justeringsformål og ikke til nogen form for skæring. Anvendelsen af stopstiften til skærearbejde kan medføre uventet bevægelse af rundsavsklingen, hvilket kan medføre tilbageslag og alvorlig personskade.

⚠ FORSIGTIG: Fastgør altid alle bevægelige dele, før maskinen transporteres. Hvis dele af maskinen bevæger sig eller glider, når maskinen bæres, kan du miste herredømmet over maskinen eller miste balancen, hvilket kan medføre personskade.

⚠ FORSIGTIG: Sørg for at hævnings af slæden er ordentligt låst ved dens bund med stopstiften. Hvis stopstiften ikke er aktiveret ordentligt, kan slæden muligvis springe pludseligt op og forårsage personskade.

VEDLIGEHOLDELSE

⚠ ADVARSEL: Sørg altid for, at maskinen er slukket og taget ud af stikkontakten, før du forsøger at udføre inspektion eller vedligeholdelse. Hvis maskinen ikke er taget ud af stikkontakten og slukket, kan det medføre utilsigtet start af maskinen, hvilket kan forårsage alvorlig personskade.

⚠ ADVARSEL: Sørg altid for, at savklingen er skarp og ren for at opnå den bedste og sikreste ydeevne. Forsøg på at skære med en sløv og/eller snavset savklinge kan forårsage tilbageslag og medføre alvorlig personskade.

BEMÆRKNING: Anvend aldrig benzin, rensebenzin, fortynder, alkohol og lignende. Det kan medføre misfarvning, deformation eller revner.

For at opretholde produktets SIKKERHED og PÅLIDELIGHED må reparation, vedligeholdelse eller justering kun udføres af et autoriseret Makita servicecenter eller fabrikksservicecenter med anvendelse af Makita reservedele.

Justering af skærevinklen

Dette værktøj er omhyggeligt indstillet og justeret på fabrikken, men indstillingerne kan ændre sig under transport og brug. De kan selv foretage indstillinger som beskrevet herunder, hvis værktøjet ikke er indstillet korrekt:

Geringsvinkel

1. Lås slæden i sænket position med stopstiften. Skub slæden mod anslaget, og tilspænd fingerskruen for at fastgøre slæden.
2. Indstil drejeskiven til positionen 0° ved hjælp af den faste stop-funktion. (Lad den være som den er, hvis viseren ikke peger på 0°.)
3. Løsn boltene med indvendig sekskant, der fastgør anslaget, ved hjælp af sekskantnøglen.
► **Fig.51:** 1. Stopstift 2. Fingerskrue 3. Bolt med indvendig sekskant
4. Ret siden af savklingen ind efter forsiden af anslaget ved hjælp af en trekantslineal eller anslagsvinkel. Tilspænd derefter boltene med indvendig sekskant på anslaget forsvarligt i rækkefølge fra højre side.
► **Fig.52:** 1. Anslag 2. Trekantlineal
5. Hvis viseren ikke peger på 0°, løsnes skruen, der fastgør viseren, og viseren justeres, så den peger på 0°.
► **Fig.53:** 1. Skruer 2. Viser 3. Geringskala

Skråvinkel

0° skråvinkel

1. Lås slæden i sænket position med stopstiften. Skub slæden mod anslaget, og tilspænd fingerskruen for at fastgøre slæden.
2. Løsn håndtaget. Drej derefter justeringsbolt til 0° to eller tre omgange mod uret for at vippe rundsavklingen til højre.
► **Fig.54:** 1. Håndtag 2. Justeringsbolt til 0°
3. Ret forsigtigt siden af savklingen ind med drejeskivens øverste overflade ved hjælp af trekantslinealen, anslagsvinklen osv. ved at dreje justeringsbolt til 0° med uret. Tilspænd derefter håndtaget fast for at fastholde den vinkel på 0°, som du har indstillet.
► **Fig.55:** 1. Trekantlineal 2. Savklinge 3. Øverste overflade af drejeskiven
4. Hvis viseren ikke peger på 0°, løsnes skruen, der fastgør viseren, og viseren justeres, så den peger på 0°.
► **Fig.56:** 1. Skruer 2. Viser 3. Skråsnitskala

45° skråvinkel

BEMÆRKNING: Før du justerer 45° skråvinklen, skal du fuldføre justeringen af 0° skråvinklen.

1. Tilspænd fingerskruen for at fastgøre slæden.
2. Løsn håndtaget. Vip derefter slæden helt til venstre.
► **Fig.57:** 1. Fingerskrue 2. Håndtag
3. Kontrollér, om viseren angiver positionen 45° på skråvinkelskalaen.
Hvis viseren ikke angiver positionen 45°, skal du justere den med positionen 45° ved at dreje justeringsbolt til 45°.
► **Fig.58:** 1. Justeringsbolt til 45°

Udskiftning af kulbørster

Fjern og kontroller regelmæssigt kulbørsterne. Udskift dem, når de er nedslidte til slidgrænsen. Hold kulbørsterne rene og fri til at glide i holderne. Begge kulbørster skal udskiftes samtidigt. Brug kun identiske kulbørster.

► **Fig.59:** 1. Slidgrænsen

Brug en skruetrækker til at fjerne kulholderdækslerne. Tag de slidte kulbørster ud, indsæt de nye, og fastgør kulholderdækslerne.

► **Fig.60:** 1. Kulholderdæksel

Efter anvendelse

Efter anvendelse aftørres spåner eller støv, der måtte klæbe til værktøjet, med en klud eller lignende. Hold beskyttelsesskærmen ren som beskrevet i afsnittet "Beskyttelsesskærm". Smør de glidende dele på værktøjet med maskinolie for at forhindre rustdannelse.

EKSTRAUDSTYR

⚠ ADVARSEL: Dette Makita udstyr og tilbehør bør anvendes sammen med den Makita maskine, der er beskrevet i denne brugsanvisning.

Anvendelse af andet ekstraudstyr eller tilbehør kan medføre alvorlig personskade.

⚠ ADVARSEL: Anvend kun Makita ekstraudstyr eller tilbehør til det beregnede formål. Misbrug af ekstraudstyr eller tilbehør kan medføre alvorlig personskade.

Hvis De behøver hjælp ved valg af tilbehør eller ønsker yderligere informationer, bedes De kontakte Deres lokale Makita servicecenter.

- Savklinger med stål- og karbidspids
- Lødret skruestik
- Støvpose
- Trekantslineal
- Sekskantnøgle
- Understel

BEMÆRK: Nogle ting på denne liste kan være inkluderet i værktøjspakken som standardtilbehør. Det kan være forskellige fra land til land.

SPECIFIKĀCIJAS

Modelis:		LS0816F
Asmens diametrs		216 mm
Atveres diametrs	Eiropas valstis	30 mm
	Valstis ārpus Eiropas	25,4 mm vai 30 mm (dažādām valstīm atšķiras)
Zāģa asmens iezāģējuma maks. biezums		2,8 mm
Maks. zāģēšanas leņķis		Pa kreisi 47°, pa labi 47°
Maks. slīpais leņķis		Pa kreisi 47°, pa labi 2°
Ātrums bez slodzes (apgr./min)		5 000 min ⁻¹
Izmēri (G x P x A)		476 mm x 705 mm x 521 mm
Neto svars		13,9 kg
Drošības klase		□/II

- Nepārtrauktās izpētes un izstrādes programmas dēļ šeit uzrādītās specifikācijas var tikt mainītas bez brīdinājuma.
- Atkarībā no valsts specifikācijas var atšķirties.
- Svars atbilstīgi EPTA procedūrai 01/2014

Zāģēšanas jauda (A x P) ar 216 mm diametra zāģa asmeni

Zāģēšanas leņķis	Slīpais leņķis		
	45° (pa kreisi)	0°	2° (pa labi)
0°	36 mm x 305 mm	65 mm x 305 mm	60 mm x 305 mm
45° (pa kreisi un pa labi)	36 mm x 215 mm	65 mm x 215 mm	-

Simboli

Tālāk ir attēloti simboli, kas var attiekties uz darbarīka lietošanu. Pirms darbarīka izmantošanas pārliecinieties, vai pareizi izprotat to nozīmi.

	Izlasiet lietošanas rokasgrāmatu.
	DIVKĀRŠĀ IZOLĀCIJA
	Izmantojiet aizsargbrilles.
	Lai izvairītos no atlecošiem gružiem, turpiniet turēt zāģa augšdaļu uz leju, līdz zāģa asmens ir pilnībā apstājies.
	Veicot slīdes zāģēšanu, vispirms pavelciet rāmi līdz galam un nospiediet rokturi, pēc tam stumiet pamatni vadotnes ierobežotāja virzienā.
	Neturiet roku vai pirkstus zāģa asmenis tuvumā.
	Pareizi noregulējiet slīdošos ierobežotājus, lai tie nepieskartos zāģa asmenim un asmens aizsargam.
	Neskatieties tieši darba lampas gaismas starā.



Tikai ES valstīm
Tā kā šajā aprīkojumā ir bīstamas sastāvdaļas, lietotas elektriskās un elektroniskās iekārtas var negatīvi ietekmēt apkārtējo vidi un cilvēka veselību.
Elektroierīces un elektroniskās ierīces nedrīkst izmest kopā ar mājāsaimniecības atkritumiem!
Saskaņā ar Eiropas direktīvu par elektrisko un elektronisko iekārtu atkritumiem un tās pielāgošanu valsts tiesību aktiem lietotas elektriskās un elektroniskās iekārtas ir jāsavāc atsevišķi un jānogādā uz sadzīves atkritumu dalītās savākšanas vietu, ievērojot attiecīgos vides aizsardzības noteikumus. Par to liecina uz iekārtas redzams simbols ar pārsvītrotu atkritumu konteineru uz rītniem.

Paredzētā lietošana

Šis darbarīks ir paredzēts precīziem taisniem un slīpiem zāģējumiem kokā. Ar piemērotiem zāģa asmeņiem iespējams zāģēt arī alumīniju. Sīkāku informāciju skatiet sadaļā "EKSPLUATĀCIJA".

Barošana

Darbarīks jāpievieno tikai tādām barošanas avotiem, kura spriegums atbilst uz darbarīka tehnisko datu plāksnītes norādītajam, un darbarīku var izmantot tikai ar vienfāzes maiņstrāvas barošanu. Darbarīks aprīkots ar divkāršo izolāciju, tādēļ to var izmantot arī, pievienojot kontaktligzdai bez iezemējuma vada.

Trokšņa līmenis

Tipiskais A svērtais trokšņa līmenis noteikts saskaņā ar EN62841-3-9:

Skaņas spiediena līmeni (L_{pA}): 91 dB (A)

Skaņas jaudas līmeni (L_{WA}): 102 dB (A)

Mainīgums (K): 3 dB (A)

PIEZĪME: Paziņotā trokšņa emisijas vērtība noteikta atbilstoši standartā pārbaudes metodei, un to var izmantot, lai salīdzinātu vienu darbarīku ar citu.

PIEZĪME: Paziņoto trokšņa emisijas vērtību arī var izmantot iedarbības sākotnējā novērtējumā.

▲BRĪDINĀJUMS: Lietojiet ausu aizsargus.

▲BRĪDINĀJUMS: Trokšņa emisija patiesos darba apstākļos var atšķirties no paziņotās vērtības atkarībā no darbarīka izmantošanas veida un jo īpaši atkarībā no apstrādājamā materiāla veida.

▲BRĪDINĀJUMS: Lai aizsargātu lietotāju, nosakiet drošības pasākumus, kas pamatoti ar iedarbību reālos darba apstākļos (ņemot vērā visus ekspluatācijas cikla posmus, piemēram, laiku, kamēr darbarīks ir izslēgts un kad darbojas tukšgaitā, kā arī palaides laiku).

Atbilstības deklarācijas

Tikai Eiropas valstīm

Atbilstības deklarācijas šajā lietošanas rokasgrāmatā ir iekļautas kā A pielikums.

DROŠĪBAS BRĪDINĀJUMI

Vispārīgi elektrisko darbarīku drošības brīdinājumi

▲BRĪDINĀJUMS Izlasiet visus drošības brīdinājumus, norādījumus un tehniskos datus un izpētiet ilustrācijas, kas iekļautas šā elektriskā darbarīka komplektā. Neievērojot visus tālāk minētos noteikumus, iespējams elektriskās strāvas trieciens, aizdegšanās un/vai smagu traumu risks.

Glabājiet visus brīdinājumus un norādījumus, lai varētu tajos ieskatīties turpmāk.

Termins „elektrisks darbarīks” brīdinājumus attiecas uz tādu elektrisko darbarīku, ko darbina ar elektrību (ar vadu), vai tādu, ko darbina ar akumulatoru (bez vada).

Darbavietas drošība

1. **Uzturiet darbavietu tīru un nodrošiniet labu apgaismojumu.** Nekārtīga vai slikti apgaismota darbavietā var izraisīt negadījumus.
2. **Nelietojiet mehanizētos darbarīkus sprādziendrošās vidēs, piemēram, uzliesmojošo šķidrums, gāzu vai putekļu klātbūtnē.** Mehanizētie darbarīki generē dzirksteles, kuras var uzliesmot putekļus vai iztvaikojumus.
3. **Nelaujiet bērniem un nepiederošām personām atrasties darbavietas tuvumā.** Uzmanības novēršana var izraisīt kontroles zaudēšanu.

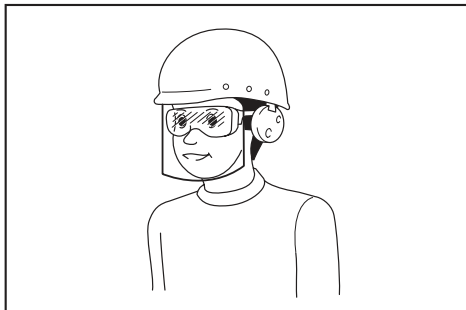
Elektriskā drošība

1. **Mehanizētā darbarīka kontaktdakšai jāatbilst kontaktlīdžai.** Nekad un nekādā veidā nemoģificējiet kontaktdakšus. Neizmantojiet nekādas pārejas kontaktdakšas ar iezemētiem mehanizētajiem darbarīkiem. Nemoģificētas kontaktdakšas un atbilstošas kontaktlīdžas samazinās elektriskā triecienu risku.
2. **Izvairieties no pieskaršanās iezemētām virsmām, piemēram, caurulēm, radiatoriem un ledusskapjiem.** Ja jūsu ķermenis ir iezemēts, tad rodas palielināts elektriskā triecienu risks.
3. **Neatstājiet mehanizētos darbarīkus lietū vai mitruma apstākļos.** Ūdens nokļūšana elektriskajā darbarīkā palielinās elektriskā triecienu risku.
4. **Lietojiet vadu pareizi.** Nekad nenesiet elektrisko darbarīku, turot aiz vada, neraujiet aiz vada, lai izņemtu kontaktdakšu no kontaktlīdžas. Sargājiet vadu no siltuma avotiem, eļļas, asām malām un kustīgajām detaļām. Bojāti vai sapīti vadi paaugstina elektriskā triecienu risku.
5. **Kad elektriskais darbarīks tiek lietots ārā, izmantojiet tikai tādus pagarinājuma vadus, kuri paredzēti lietošanai ārā.** Āra apstākļos lietošanai paredzēta vada izmantošana samazina elektriskā triecienu risku.
6. **Ja nevar novērst elektriskā darbarīka izmantošanu mitrā vidē, izmantojiet strāvas aizsardzības ierīces (RCD (Residual Current Device)) aizsargātu barošanas avotu.** RCD ierīces izmantošana mazina elektriskās strāvas triecienu bīstamību.
7. **Vienmēr ieteicama strāvas padeve ar RCD (Residual current device) ierīci, kuras nominālā sākuma strāva ir 30 mA vai mazāka.**
8. **Mehāniskie darbarīki var radīt lietotājam nekaitīgus elektromagnētiskos laukus (EML).** Taču lietotājiem ar elektrokardiosimulatoriem un līdzīgām medicīnas ierīcēm ir jāsazinās ar attiecīgo ierīču ražotājiem un/vai ārstu, pirms šī mehāniskā darbarīka izmantošanas.
9. **Ar mitrām rokām nepieskarieties strāvas vada kontaktdakšai.**
10. **Ja vads ir bojāts, vērsieties pie ražotāja vai pārstāvja, lai to nomainītu, šādi izvairoties no drošības riska.**

Personiskā drošība

1. **Elektriskā darbarīka lietošanas laikā esiet uzmanīgi, sekojiet savai darbībai, rīkojieties prātīgi.** Nelietojiet elektrisko darbarīku, ja esat noguruši, kā arī narkotiku, alkohola un medikamentu ietekmē. Neuzmanības mirklis mehanizētā darbarīka lietošanas laikā var izraisīt smagas traumas gūšanu.
2. **Izmantojiet individuālos aizsardzības līdzekļus.** Vienmēr lietojiet aizsargbrilles. Attiecīgos apstākļos lietojiet aizsarglīdzekļus, piemēram, putekļu masku, aizsargapavus ar neslīdošu zoli, aizsargķiveri un ausu aizsargus, mazināties traumu risks.
3. **Nepieļaujiet nejaūsu iedarbināšanu.** Pirms darbarīka pievienošanas strāvas avotam un/vai akumulatoram, pirms tā pacelšanas un pārnesēšanas pārliecinieties, ka slēdzis atrodas izslēgšanas stāvoklī. Elektrisko darbarīku pārnesēšana, novietojot pirkstu uz slēdža vai strāvas ieslēgšanas rīkiem, var izraisīt negadījumus.

4. **Noņemiet uzgriežņu atslēgas un regulēšanas instrumentus pirms elektriskā darbarīka ieslēgšanas.** Elektriskā darbarīka kustīgajai daļai pietiprināta uzgriežņu atslēga var izraisīt traumu.
5. **Nesniedzieties pārāk tālu. Vienmēr stingri stāviet uz piemērota atbalsta un saglabājiet līdzsvaru.** Tas nodrošinās labāku kontroli pār elektrisko darbarīku neparedzētās situācijās.
6. **Apģērbieties atbilstīgi. Nevalkājiet vaļīgu apģērbu un rotaslietas. Turiet matus un apģērbu drošā attālumā no darbarīka kustīgajām daļām.** Vaļīgs apģērbs, rotaslietas un gari mati var iekļerties kustīgajās daļās.
7. **Ja darbarīkam ir savienojuma vieta putekļu atsūkņēšanas un savākšanas ierīces pievienošanai, pārliecinieties, ka tā ir pievienota un pareizi izmantota.** Putekļu savākšanas ierīces izmantošana var samazināt ar putekļiem saistītus riskus.
8. **Neļaujiet ilgstošas darbarīka izmantošanas gaitā iekrātajai pieredzei padarīt jūs bezrūpīgu – neignorējiet darbarīka drošas lietošanas principus.** Neuzmanīga darbība var acumirkļi radīt smagu traumu.
9. **Kad izmantojat mehāniskos darbarīkus, vienmēr valkājiet aizsargbrilles, lai pasargātu acis. Aizsargbrillēm jāatbilst šādiem standartiem: ANSI Z87.1 ASV, EN 166 Eiropā un AS/NZS 1336 Austrālijā/Jaunzēlandē. Austrālijā/Jaunzēlandē ar likumu noteikts, ka darba laikā jāizmanto arī sejsargs.**



Darba devējam ir jānodrošina tas, lai darbarīka operatori un citas tiešajā darba vietā esošās personas izmantotu vajadzīgo aizsargaprīkojumu.

Mehanizētā darbarīka lietošana un apkope

1. **Nelietojiet elektrisko darbarīku ar spēku. Izmantojiet elektrisko darbarīku, kas atbilst pielietojuma veidam.** Atbilstošs elektriskais darbarīks veiks darbu labāk, ātrāk un ar paredzētu ražīgumu.
 2. **Nelietojiet elektrisko darbarīku, ja slēdzis to neieslēdz un neizslēdz.** Jebkurš elektriskais darbarīks, kuru nevar vadīt ar slēdža palīdzību, ir bīstams, un tas ir jāremontē.
 3. **Pirms mehanizēto darbarīku regulēšanas, piederumu maiņas vai uzglabāšanas atvienojiet barošanas kabeļa spraudni no barošanas avota un/vai izņemiet akumulatora bloku, ja to var izņemt.** Šādi piesardzības pasākumi nepieļaus mehanizētā darbarīka nejašu ieslēgšanu.
4. **Glabājiet elektriskos darbarīkus bērniem nepieejamā vietā un neļaujiet darbarīku lietot personām, kuras nav apmācītas to lietošanai vai nezina šos norādījumus.** Neapmācītu lietotāju rokās elektriskie darbarīki ir bīstami.
 5. **Veiciet mehanizēto darbarīku un piederumu apkopi. Pārbaudiet, vai kustīgās daļas ir pareizi savienotas un nostiprinātas, vai detaļas nav bojātas, kā arī vai nav kāds cits apstākļi, kas varētu ietekmēt mehanizēto darbarīku darbību.** Ja mehanizētais darbarīks ir bojāts, pirms lietošanas tas jāsaremontē. Daudzu negadījumu iemesls ir slikti uzturēto mehanizēto darbarīku lietošana.
 6. **Regulāri uzasiniet un tīriet griešanas instrumentus.** Pareizi koptu instrumentu ar asām griezējšķautnēm iestrēgšanas risks ir mazāks un tos ir vieglāk vadīt.
 7. **Izmantojiet elektrisko darbarīku, uzgaļus un citus piederumus saskaņā ar šiem norādījumiem, ņemot vērā darba apstākļus un veicamo darbu specifiku.** Elektrisko darbarīku izmantošana neparedzētiem nolūkiem var radīt bīstamas situācijas.
 8. **Uzturiet rokturus un satveršanas virsmas sausas un tīras; gādājiet, lai uz tām nebūtu eļļas un smērvielu.** Slideni rokturi un satveršanas virsmas neļaus droši lietot un vadīt mehanizēto darbarīku neparedzētās situācijās.
 9. **Darba laikā nevelciet auduma darba cimdus, kas var iepīties darbarīkā.** Ja auduma darba cimdi iepinas kustīgajās detaļās, tas var radīt traumas.

Apkope

1. **Uzticiet sava elektriskā darbarīka apkopi kvalificētam remontstrādniekam, izmantojiet tikai identiskas rezerves daļas.** Tas garantēs to, ka elektriskā darbarīka drošības pakāpe nesamazināsies.
2. **Ievērojiet eļļošanas un piederumu maiņas norādījumus.**

Drošības norādījumi leņķzāģiem

1. **Leņķzāģi paredzēti koka vai kokam līdzīgu materiālu zāģēšanai, un tos nevar izmantot ar abrazīvajām griešanas ripām, lai grieztu metāla izstrādājumus, piemēram, sijas, stieņus, skrūves u. tml.** Abrazīvie putekļi izraisa kustīgo daļu, piemēram, apakšējā aizsarga, iestrēgšanu. Dzirksteles, kas rodas, griežot ar abrazīvo ripu, aizdzidzinās apakšējo aizsargu, iezāģēšanas plātni un citas plastmasas daļas.
2. **Kad iespējams, apstrādājamā materiāla atbalstam izmantojiet skavas. Atbalstot apstrādājamo materiālu ar plaukstu, turiet plaukstu vismaz 100 mm attālumā no abām zāģa asmens pusēm. Neizmantojiet šo zāģi, lai zāģētu detaļas, kuras nelielā izmēra dēļ nav iespējams droši fiksēt ar skavām vai turēt ar plaukstu.** Turot plaukstu pārāk tuvu zāģa asmenim, var pieskarties asmenim un ievainot plaukstu.
3. **Apstrādājamajam materiālam jābūt nekustīgam un fiksētam ar skavām vai piespiestam pie ierobežotāja vai galda. Nekādā gadījumā nevīziet apstrādājamo materiālu pret asmeni un nezāģējiet ar „brīvu roku”.** Liels ātrums var aizvīst nefiksētus vai kustīgos apstrādājamus materiālus, tādējādi radot ievainojumus.

4. **Spiediet zāģi caur apstrādājamo materiālu. Nevelciet zāģi caur apstrādājamo materiālu. Lai veiktu griezumus, paceliet zāģa galvu un nezāģējot velciet to pār apstrādājamo materiālu, iedarbiniet motoru, nospiediet zāģa galvu lejup un spiediet zāģi caur apstrādājamo materiālu.** Velkot zāģa asmens var iznākt apstrādājamā materiāla virspusē un ar spēku atgrūst asmens mezglu operatora virzienā.
 5. **Nekādā gadījumā nelieciet plaukstu ne uz paredzētās zāģēšanas līnijas, ne arī zāģa asmens priekšā vai aizmugurē.** Apstrādājamo materiālu fiksējot ar sakrustotām rokām, t. i., ar kreiso roku turot apstrādājamo materiālu zāģa asmens labajā pusē vai otrādi, var radīt ļoti bīstamu situāciju.
 - Att.1
 6. **Asmenim griežoties, nesniedzieties ar rokām aiz ierobežotāja tuvāk par 100 mm katrā zāģa asmens pusē, lai notīrītu koka atgriezumus vai veiktu citas darbības.** Jūs nevarēsiet novērtēt attālumu no rotējošā zāģa asmens līdz rokai un varat smagi savainoties.
 7. **Pirms zāģēšanas pārbaudiet apstrādājamo materiālu. Ja apstrādājamais materiāls ir izliekts vai sameties, iespīlējiet to, novietojot uz ārpusi izliekto virsmu pret ierobežotāju. Vienmēr pārliecinieties, ka starp apstrādājamo materiālu, ierobežotāju un galdu gar griezuma līniju nav spraugas.** Izliekti vai sametušies apstrādājamo materiāli var pagriezties vai pabīdīties, tādējādi zāģēšanas laikā iekļūstot zāģa asmenī. Apstrādājamajam materiālā nedrīkst būt naglas vai citi svešķermeņi.
 8. **Pirms zāģēšanas noņemiet no galda visus instrumentus, koka atgriezumus u. tml., atstājiet tikai apstrādājamo materiālu.** Rotējošais asmens var aizķert sīkus grūžus vai koka gabalus un citus priekšmetus un aizsviest tos ar lielu ātrumu.
 9. **Vienlaikus zāģējiet tikai vienu apstrādājamo materiālu.** Vairākas citu citam uzkrautas apstrādājamo materiālus nevar droši fiksēt ar skavām vai atbalstīt, un zāģēšanas laikā tajos var iestrēgt asmens vai tie var pabīdīties.
 10. **Pirms lietošanas montējiet vai novietojiet leņķzāģi uz horizontālas, stabilas darba virsmas.** Horizontāla, stabila darba virma samazina leņķzāģa nestabilitātes risku.
 11. **Plānojiet darba gaitu. Katru reizi, mainot slīpenķa vai leņķa iestatījumu, iestatiet pareizi regulējamo ierobežotāju, lai tas atbalstītu apstrādājamo materiālu un nepieskartos asmenim vai aizsargsistēmai.** Neieslēdzot darbarīku „ON” režīmā un nenovietojot uz galda apstrādājamo materiālu, virziēt zāģa asmeni, modelējot paredzēto griezumu, lai nodrošinātu, ka nenotiks saskare vai neiezāģēsiet ierobežotājā.
 12. **Zāģējot apstrādājamo materiālu, kas ir platāks vai garāks par galda virsmu, izmantojiet piemērotu paliktņi, piemēram, galda pagarinātājus, kokzāģēšanas stēķi u. tml.** Nepietiekami atbalstīti apstrādājamo materiāli, kas garāki vai platāki par leņķzāģa galda virsmu, var nokrist. Nozāģētais gabals vai apstrādājamais materiāls krītot var pacelt apakšējo aizsargu vai rotējošais asmens to var aizsviest.
 13. **Galda pagarinājumam vai papildu atbalstam neizmantojiet cita cilvēka palīdzību.** Nestabila apstrādājamo materiāla pamatne zāģēšanas procesā var izraisīt asmens iekļūšanos vai apstrādājamā materiāla pārbīdi, uzstumjot jūsu palīgu uz rotējošā zāģa asmens.
 14. **Nozāģēto gabalu nekādā gadījumā nedrīkst iekļīlēt rotējošā zāģa asmenī vai tam piespiest.** Piespiests nozāģētais gabals, t. i., izmantojot piebīdņus, var iestrēgt pie asmens, kas to var spēcīgi aizsviest.
 15. **Vienmēr izmantojiet skavas vai stiprinājumu, kas paredzēti apaļu materiālu, piemēram, stieņu vai cauruļu, pareizai balstīšanai.** Zāģēšanas procesā stieņi var ripot, asmens iecirsties stienī un ievilkā materiālu ar jūsu roku pret asmeni.
 16. **Pirms pieskaršanās apstrādājamajam materiālam ar zāģi ļaujiet asmenim griezties ar maksimālo ātrumu.** Tādējādi samazināsies apstrādājamā materiāla aizmešanas risks.
 17. **Ja apstrādājamais materiāls vai asmens iestrēdzis, izslēdziet leņķzāģi. Nogaidiet, līdz visas kustīgās daļas apstājas, atvienojiet spraudni no strāvas avota un/vai izņemiet akumulatora bloku.** Pēc tam atbrīvojiet iestrēgušo materiālu. Turpinot zāģēt, ja apstrādājamais materiāls ir iestrēdzis, leņķzāģis var kļūt nevadāms vai sabojājies.
 18. **Pēc griezuma pabeigšanas un pirms nozāģētā gabala noņemšanas, atlaidiet slēdzi, turiet zāģa galvu lejup un nogaidiet, līdz asmens apstājas.** Pieskaroties pēc inerces rotējošā asmens tuvumā, var rasties bīstama situācija.
 19. **Izmantojiet zāģa asmeņus tikai ar tādu diametru, kas ir norādīts uz darbarīka vai rokasgrāmatā.** Izmantojot nepareiza izmēra zāģa asmeni, var būt traucēta pareiza zāģa asmens aizsardzība vai aizsarga darbība, kas var izraisīt nopietnus ievainojumus.
 20. **Izmantojiet tikai tādus zāģa asmeņus, kas ir marķēti ar ātrumu, kas ir tāds pats vai lielāks kā uz darbarīka norādītais ātrums.**
 21. **Neizmantojiet zāģi tādu materiālu zāģēšanai, kuriem tas nav paredzēts.**
 22. **(Tikai Eiropas valstīm)**
Ja paredzēts zāģēt koku un līdzīgus materiālus, vienmēr izmantojiet asmeni, kas atbilst standartam EN847-1.
- Papildu norādījumi**
1. Ar piekaramo slēdzeni nodrošiniet, lai darbnīcā neiekļūtu bērni.
 2. Nekādā gadījumā nestāviet uz darbarīka. Darbarīkam krītot vai nejauši iedarbinot griešanas instrumentu, var gūt smagus ievainojumus.
 3. Nekad neatstājiet darbarīku ieslēgtu bez uzraudzības. Izslēdziet strāvas padevi. Neatstājiet darbarīku bez uzraudzības, kamēr tā darbība nav pavisam apstājusies.
 4. Nelietojiet zāģi, ja aizsargi nav uzlikti. Pirms katras lietošanas reizes pārbaudiet, vai asmens aizsargs aizveras pareizi. Nelietojiet zāģi, ja asmens aizsargs nevirzās brīvi un nekavējoties aizveras. Nekad neiespīlējiet un nepiesieniet asmens aizsargu atvērta stāvoklī.

5. Turiet rokas drošā attālumā no zāģa asmens ceļa. Neskarīties pie zāģa asmens, kas griežas pēc inerces. Tas vēl joprojām var izraisīt smagus ievainojumus.
 6. Lai samazinātu ievainojumu risku, pēc katras šķērseniskās zāģēšanas reizes atvelciet slīdrāmi atpakaļ līdz galam.
 7. Pirms darbarīka nešanas vienmēr nostipriniet visas kustīgās daļas.
 8. Sprūdtapa vai aiztura svira, kas zāģa galvu nofiksē lejup, ir paredzēta tikai pārnēsāšanai un uzglabāšanai, nevis zāģēšanas darbu veikšanai.
 9. Pirms darba uzsākšanas rūpīgi pārbaudiet, vai zāģa asmenim nav plaisu vai bojājumu. Ieplaisājušu vai bojātu zāģa asmeni nekavējoties nomainiet. Ja uz zāģa asmeņiem pielipuši sveķi vai koka darva, zāģa darbība kļūst lēnāka un palielinās atsitiena risks. Raugieties, lai zāģa asmens būtu tīrs, vispirms to noņemot nost no darbarīka, tad notīrot ar sveķu un darvas tīrītāju, karstu ūdeni vai petroleju. Zāģa asmens tīrīšanai nekādā gadījumā neizmantojiet benzīnu.
 10. Veicot slīdes zāģēšanu, var rasties **ATSITIENS**. **ATSITIENS** rodas, ja, veicot griezumu, zāģa asmens iestrēgst apstrādājamajā materiālā un zāģa asmens tiek strauji grūsts pret operatoru. Zāģis var kļūt nevadāms un radīt smagus ievainojumus. Ja, veicot griezumu, zāģa asmens sāk ķerties, nekavējoties pārtrauciet zāģēšanu un atļaidiet slēdzi.
 11. Izmantojiet tikai šim darbarīkam paredzētus atlokus.
 12. Uzmanieties, lai nesabojātu asi, atlokus (jo īpaši uzstādīšanas virsmu) vai skrūvi. Ja šīs daļas ir bojātas, zāģa asmens var salūzt.
 13. Pārliecinieties, vai pagriežamā pamatne ir pareizi nostiprināta un darba laikā nekustēsies. Lai piestiprinātu zāģi uz stabilas darba pamatnes vai sola, izmantojiet caurumus zāģa pamatnē. **NEKAD** neizmantojiet darbarīku, ja operatoram nav ērta darba pozīcija.
 14. Pirms slēdža ieslēgšanas pārliecinieties, vai vārpstas bloķētājs ir atlaists.
 15. Pārliecinieties, vai zemākajā stāvoklī zāģa asmens nesaskaras ar pagriežamo pamatni.
 16. Rokturī turiet stingri. Ņemiet vērā, ka zāģis, sākot darbu un apstājoties, nedaudz pavirzās augšup vai lejup.
 17. Pirms slēdža ieslēgšanas pārbaudiet, vai zāģa asmens nepieskaras apstrādājamajam materiālam.
 18. Pirms darbarīka lietošanas nedaudz padarbiniet to bez slodzes. Pievērsiet uzmanību vibrācijai vai svārstībām, jo tas var liecināt par nepiemērotu uzstādīšanu vai nepareizi līdzsvarotu zāģa asmeni.
 19. Nekavējoties pārtrauciet darbu, ja ievērojāt novirzes.
 20. **Nebloķējiet** mēlīti ieslēgtā stāvoklī „ON”.
 21. Vienmēr izmantojiet piederumus, kas ieteikti šajā rokasgrāmatā. Izmantojot nepiemērotus piederumus, piemēram, abrazīvo ripu, var savainoties.
 22. Daži materiāli satur ķīmiskas vielas, kas var būt toksiskas. Izvairieties no putekļu ieelpošanas un to nokļūšanas uz ādas. Ievērojiet materiāla piegādātāja drošības datus.
- Papildu drošības noteikumi darba lampa izmantošanai
1. Neskatīties gaismā, neļaujiet tās avotam iespīdēt acīs.

SAGLABĀJIET ŠOS NORĀDĪJUMUS.

⚠️ BRĪDINĀJUMS: NEPIEĻAUJIET to, ka labu iemaņu vai izstrādājuma labas pārzināšanas (darbarīku atkārtoti ekspluatējot) rezultātā vairs stingri neievērojāt šī izstrādājuma drošības noteikumus. **NEPAREIZI LIETOJOT** darbarīku vai neievērojot šajā instrukcijā rokasgrāmatā minētos drošības noteikumus, var tikt gūtas smagas traumas.

DETAĻU APRAKSTS

► Att.2

1.	Regulēšanas skrūve (apakšējai pozīcijai)	2.	Aiztura kloķis	3.	Putekļu maiss	4.	Spārnskrūve (atbalsta bīdīšanai)
5.	Rādītājs (slīpleņķim)	6.	Slīpleņķa skala	7.	Slīdbalsts	8.	Vertikālās skrūvspīles
9.	Slīdošais ierobežotājs	10.	0° regulēšanas bultskrūve (slīpleņķim)	11.	Vadotnes ierobežotājs	12.	Pamatnes pagarinātājs
13.	Pagriežamā pamatne	14.	Zāģēšanas leņķa skala	15.	Rādītājs (zāģēšanas leņķim)	16.	Iezāģēšanas plātnes
17.	Regulēšanas bultskrūve (pagriežamajai pamatnei)	18.	Bloķēšanas svira (pagriežamajai pamatnei)	19.	Rokturis (pagriežamajai pamatnei)	20.	Ripas aizsargs ar putekļu savācēju
21.	Asmens aizsargs	22.	Lampa	23.	Rokturis (darbam)	24.	Slēdža mēlīte
25.	Piekaramās slēdzenes atvere	26.	Atbloķēšanas poga	27.	Pārnēsāšanas rokturis	-	-

► Att.3

1.	Lampas slēdzis	2.	Vārpstas bloķētājs	3.	Regulēšanas bultskrūve (maksimālai zāģēšanas jaudai)	4.	Sprūdtapa (roktura pacelšanai)
5.	Iestatīšanas plāksne	6.	Sešstūru uzgriežņu atslēga	7.	45° regulēšanas bultskrūve (slīpleņķim)	8.	Svira (slīpleņķim)
9.	Atbrīvošanas poga (slīpleņķim)	-	-	-	-	-	-

UZSTĀDĪŠANA

Galda uzstādīšana

▲BRĪDINĀJUMS: Nodrošiniet, lai darbarīks uz atbalsta virsmas neizkustas. Leņķzāģa izkustēšanās uz atbalsta virsmas zāģēšanas laikā var izraisīt kontroles zudumu un nopietnus ievainojumus.

1. Ar skrūvēm pieskrūvējiet pamatni pie līmeniskas un stabilas virsmas. Tas palīdz novērst apgāšanās un traumu rašanās risku.

► **Att.4:** 1. Skrūve 2. Stiprinājuma atvere

2. Pagrieziet regulēšanas skrūvi pulksteņrādītāja virzienā vai pretēji tam tā, lai skrūve saskartos ar grīdas virsmu un saglabātu darbarīka stabilitāti.

► **Att.5:** 1. Bultskrūves regulēšana

FUNKCIJU APRAKSTS

▲BRĪDINĀJUMS: Pirms darbarīka regulēšanas vai darbības pārbaudes vienmēr pārliecinieties, ka darbarīks ir izslēgts un atvienots no strāvas avota. Ja darbarīku neizslēdz un neatvieno no strāvas avota, tam nejausī ieslēdzoties, var izraisīt nopietnus ievainojumus.

Roktura fiksators

▲UZMANĪBU: Atlaižot aiztura tapu, vienmēr turiet rokturi. Pretējā gadījumā rokturis atlec uz augšu un var izraisīt traumas.

Darbarīku piegādājot, rokturis ar aiztura tapu ir bloķēts nolaistā stāvoklī. Lai atbloķētu rokturi, pavelciet aiztura tapu, vienlaikus nedaudz nolaizot rokturi.

► **Att.6:** 1. Aiztura tapa

Slīdslēdzis

Lai varētu veikt atbalsta slīdošo kustību, atskrūvējiet vajlgāk uz strēles esošo spārnskrūvi. Lai bloķētu atbalsta slīdošo kustību, pārvietojiet atbalstu uz vajadzīgo pozīciju un pēc tam stingri pavelciet spārnskrūvi.

► **Att.7:** 1. Spārnskrūve 2. Strēle

Asmens aizsargs

▲BRĪDINĀJUMS: Nekad neizjauciet un nenņemiet asmens aizsargu vai tam piestiprināto atspere. Nenosegts ripzāģa asmens pēc aizsarga noņemšanas var izraisīt nopietnus ievainojumus ekspluatācijas laikā.

▲BRĪDINĀJUMS: Nekad neizmantojiet darbarīku, ja asmens aizsargs vai atspere ir bojāta, darbojas nepareizi vai ir noņemta. Izmantojot darbarīku ar bojātu, nepareizi darbojošos vai noņemtu sargu, var izraisīt nopietnus ievainojumus.

▲UZMANĪBU: Ja konstatējat, ka asmens aizsargs nav pilnībā kārtībā, nekavējoties pārtrauciet lietošanu. Ja konstatējat, ka asmens aizsargs darbojas nepareizi, nekavējoties pārtrauciet asmens lietošanu. Pārbaudiet, vai aizsarga atsperes nospieguma darbība ir pareiza.

Nolaizot rokturi, asmens aizsargs automātiski pacelsies. Aizsargs ir nospiégots ar atspere tā, ka tas atgriežas sākotnējā stāvoklī, kad zāģēšana ir pabeigta un rokturis ir pacelts.

► **Att.8:** 1. Asmens aizsargs

Tīrīšana

Ja caurspīdīgais asmens aizsargs kļūst netīrs vai tam ir pielipis tik daudz zāģu skaidu, ka ripzāģa asmens un/vai apstrādājamais materiāls ir grūti saskatāms, atvienojiet darbarīka kontaktakšu no elektrotīkla un ar mitru drānu rūpīgi notīriet aizsargu. Tīrot plastmasas aizsargu, neizmantojiet naftas produktu bāzes šķīdinātājus vai tīrītājus, jo tā var sabojāt aizsargu. Izpildiet detalizētās instrukcijas par sagatavošanās darbiem pirms tīrīšanas.

1. Pārliecinieties, vai darbarīks ir izslēgts un atvienots no elektrotīkla.

2. Grieziet seššķautņu bultskrūvi pretēji pulksteņrādītāju kustības virzienam, izmantojot komplektā iekļauto seššķautņu uzgriežņu atslēgu, vienlaikus turot centrālo apvalku.

3. Paceliet asmens aizsargu un centrālo apvalku.

4. Kad tīrīšana pabeigta, novietojiet atpakaļ centrālo pārsegu un pavelciet seššķautņu bultskrūvi, veicot iepriekš minētās darbības pretējā secībā.

► **Att.9:** 1. Sešstūru uzgriežņu atslēga 2. Seššķautņu bultskrūve 3. Centrālais aizsargs 4. Asmens aizsargs

▲BRĪDINĀJUMS: Nenoņemiet atspere, ar ko piestiprināts asmens aizsargs. Ja aizsargs laika gaitā vai ultravioletā starojuma ietekmē tiek sabojāts, sazinieties ar Makita apkopes centru, lai iegūtu maiņas aizsargu. **NEPĀRVEIDOJDIET UN NENOŅEMDIET AIZSARGU.**

Iezāģēšanas plātņu novietošana

Šā darbarīka pagriežamajā pamatnē ir iezāģēšanas plātnes, lai materiāla zāģējuma izejas pusē nerastos plēsti bojājumi. Iezāģēšanas plātnes rūpnīcā ir noregulētas tā, lai ripzāga asmens tām nepieskartos. Pirms lietošanas iezāģēšanas plātnes noregulējiet tālāk norādītajā veidā.

1. Pārbaudiet, vai darbarīks ir atvienots no elektrotīkla. Tad atskrūvējiet visas skrūves (trīs labajā un trīs kreisajā pusē), ar ko piestiprinātas iezāģēšanas plātnes.

► **Att.10:** 1. Iezāģēšanas plātne 2. Skrūve

2. Pieskrūvējiet tās atpakaļ tā, lai iezāģēšanas plātnes varētu viegli pārvietot ar roku.

3. Nolaidiet rokturi uz leju līdz galam, pēc tam nobloķējiet rokturi zemākajā stāvoklī ar aiztura tapu.

4. Atskrūvējiet valīgāk spārnskrūvi uz strēles, kas bloķē atbalsta sfidošo kustību.

Pavelciet atbalstu virzienā pret sevi līdz galam.

► **Att.11:** 1. Spārnskrūve 2. Strēle

5. Noregulējiet iezāģēšanas plātnes tā, lai tās atrastos tuvu pie zāga asmens zobu malām.

► **Att.12**

► **Att.13:** 1. Ripzāga asmens 2. Asmens zob
3. Iezāģēšanas plātne 4. Kreisās puses slīpā zāģēšana 5. Taisna griešana

6. Pieskrūvējiet priekšējās skrūves (neskrūvējiet tās cieši).

7. Virziet atbalstu uz vidējo pozīciju starp iezāģēšanas plātņu priekšgalu un vadotnes ierobežotājiem. Noregulējiet iezāģēšanas plātnes tā, lai tās atrastos tuvu pie asmens zobu malām.

8. Pievelciet vidējās skrūves (nepievelciet tās cieši).

9. Bīdīet atbalstu līdz galam vadotnes ierobežotāju virzienā un noregulējiet iezāģēšanas plātnes tā, lai tās atrastos tuvu pie zāga asmens zobu malām.

10. Pievelciet aizmugures skrūves (neskrūvējiet tās cieši).

11. Atlaidiet roktura fiksatora aiztura tapu un paceliet rokturi. Pēc tam cieši pievelciet visas skrūves.

IEVĒRĪBAI: Pēc slīpēnča iestatīšanas pārbaudiet, vai iezāģēšanas plātnes ir pareizi noregulētas. Iezāģēšanas plātņu pienācīga noregulēšana palīdz nodrošināt pareizu apstrādājamā materiāla atbalstu, samazinot apstrādājamā materiāla plēsumus.

Maksimālās zāģēšanas jaudas saglabāšana

Šis darbarīks ir rūpnīcā noregulēts tā, lai nodrošinātu maksimālo zāģēšanas jaudu 216 mm ripzāga asmenim. Uzstādot jaunu ripzāga asmeni, vienmēr pārbaudiet tā zemāko robežatžīmes stāvokli un, ja vajadzīgs, regulējiet to, kā tālāk norādīts.

1. Atvienojiet darbarīku no elektrotīkla. Tad bīdīet balstu vadotnes ierobežotāja virzienā līdz galam un pilnībā nolaidiet rokturi.

2. Izmantojiet seššķautņu uzgriežņu atslēgu (skrūvgrieža pusi), lai grieztu regulēšanas bultskrūvi, līdz ripzāga asmens ieslīd nedaudz zem vadotnes ierobežotāja un pagriežamās pamatnes augšpusē krustpunkta.

► **Att.14:** 1. Regulēšanas bultskrūve 2. Vadotnes ierobežotājs

► **Att.15**

3. Turiet rokturi nospiestu līdz galam leju un ar roku pagrieziet ripzāga asmeni, lai pārbaudītu vai ripzāga asmens nesaskaras ar apakšējo pamatni. Ja nepieciešams, atkārtoti noregulējiet maksimālo griešanas jaudu.

▲BRĪDINĀJUMS: Pēc jauna ripzāga asmens uzstādīšanas, kad darbarīks ir atvienots no elektrotīkla, vienmēr pārbaudiet, vai asmens nesaskaras ne ar vienu apakšējās pamatnes daļu, kad rokturis ir pilnībā nolaists. Ja ripzāga asmens pieskaras pamatnei, tas var izraisīt atsitenu un radīt smagus ievainojumus.

► **Att.16**

Aiztura kloķis

Zāga asmens apakšējās robežas stāvokli iespējams viegli regulēt ar aiztura kloķi. Lai noregulētu apakšējo robežu, pagrieziet aiztura kloķi bultas virzienā, kā redzams attēlā. Pagrieziet regulēšanas skrūvi tā, lai zāga asmens apstātos vēlamajā stāvoklī, kad rokturi nolaižat līdz galam uz leju.

► **Att.17:** 1. Aiztura kloķis 2. Regulēšanas skrūve

Leņķa regulēšana

▲UZMANĪBU: Kad zāģēšanas leņķis ir nomaiņīts, vienmēr nostipriniet pagriežamo pamatni, cieši pievelkot rokturi.

IEVĒRĪBAI: Griežot pagriežamo pamatni, obligāti paceliet rokturi līdz galam.

Grieziet kloķi pretēji pulksteņrādītāju kustības virzienam, lai atbloķētu pagriežamo pamatni. Grieziet kloķi, vienlaikus turot augšup bloķēšanas sviru, lai pagrieztu pagriežamo pamatni. Savietojiet rādītāju ar vajadzīgo leņķi uz zāģēšanas leņķa skalas, pēc tam pievelciet rokturi.

► **Att.18:** 1. Bloķēšanas svira 2. Kloķis 3. Rādītājs

Fiksētā aiztura funkcija

Šim leņķzāģim ir pieejama fiksētā aiztura funkcija. Iespējams ātri iestatīt 0°, 15°, 22,5°, 31,6° un 45° labo/kreiso zāģēšanas leņķi. Lai izmantotu šo funkciju, pabīdīdiet pagriežamo pamatni gandrīz līdz vēlamajam nekustīgā aiztura leņķim, vienlaikus turot augšup bloķēšanas sviru. Pēc tam atbrīvojiet bloķēšanas sviru un virziet pagriežamo pamatni līdz vēlamajam fiksētā aiztura leņķim, līdz pagriežamā pamatne ir bloķēta.

Slīpā leņķa noregulēšana

UZMANĪBU: Kad zāģēšanas leņķis ir nomainīts, vienmēr nostipriniet kloķi, pieveicot sviru pulksteņrādītāja virzienā.

IEVĒRĪBAI: Pirms slīpleņķa iestatīšanas vienmēr noņemiet vertikālās skrūvspīles.

IEVĒRĪBAI: Sasverot ripzāģa asmeni, raugieties, lai atbalsts būtu pilnībā pacelts.

IEVĒRĪBAI: Mainot slīpleņķi, raugieties, lai iezāģēšanas plātnes tiktu pareizi novietotas, kā izskaidrots sadaļā par iezāģēšanas plātņu pozicionēšanu.

IEVĒRĪBAI: Nepievelciet sviru pārāk cieši. Tādējādi var izraisīt slīpleņķa fiksēšanas mehānisma atteici.

Ripzāģa asmens savēršana uz kreiso pusi par 0°–45°

1. Grieziet sviru pretēji pulksteņrādītāju kustības virzienam.
 2. Satveriet rokturi un sasveriet atbalstu pa kreisi.
 3. Savietojiet rādītāju ar vajadzīgo leņķi uz slīpleņķa skalas.
 4. Pievelciet sviru pulksteņrādītāja virzienā, lai nostiprinātu strēli.
- **Att.19:** 1. Svira 2. Rokturis 3. Rādītājs 4. Slīpleņķa skala

Ripzāģa asmens savēršana vairāk par 0°–45° pa kreisi

1. Grieziet sviru pretēji pulksteņrādītāju kustības virzienam.
2. Turiet rokturi un iestatiet atbalstu uz 0° labajai 2° pusei vai uz 45° kreisajai 47° pusei.
3. Mazliet sasveriet atbalstu uz pretējo pusi.
4. Nospiediet atbrīvošanas pogu.
5. Sasveriet atbalstu uz vajadzīgo pozīciju ārpus 0°–45° diapazona.
6. Pievelciet sviru pulksteņrādītāja virzienā, lai nostiprinātu strēli.

Sasverot atbalstu pa labi 2°

► **Att.20:** 1. Svira 2. Rokturis 3. Atbrīvošanas poga

Sasverot atbalstu pa kreisi 47°

► **Att.21:** 1. Svira 2. Rokturis 3. Atbrīvošanas poga

Slēdža darbība

ABRĪDINĀJUMS: Pirms darbarīka pievienošanas barošanas avotam, vienmēr pārbaudiet, vai slēdža mēlīte darbojas pareizi un pēc atlaišanas atgriežas stāvoklī „OFF” (izslēgts). Nevelciet slēdža mēlīti ar spēku, neiespiežot atbloķēšanas pogu uz iekšu. Tā var sabojāt slēdzi. Lietojot darbarīku, kura slēdzis nedarbojas pareizi, darbarīks var kļūt nevadāms un radīt nopietnas traumas.

ABRĪDINĀJUMS: NEKĀDĀ GADĪJUMĀ nelietojiet darbarīku, ja nevar pilnībā nospiegt slēdža mēlīti. Darbarīks ar mēlīti, kas nedarbojas pareizi, ir ĻOTI BĪSTAMS un pirms turpmākas izmantošanas ir jāremontē, pretējā gadījumā var rasties smagas traumas.

ABRĪDINĀJUMS: NEKAD neizjauciet atbloķēšanas pogu, to neaplīmējiet un citādkā nepārveidojiet. Slēdzis ar izjauktu atbloķēšanas pogu var izraisīt neparedzētu darbību un radīt smagas traumas.

ABRĪDINĀJUMS: NEKAD nelietojiet darbarīku, ja tas ieslēdzas tikai pēc slēdža mēlītes pavilkšanas un nav jānospiež atbloķēšanas poga. Slēdzis, ko nepieciešams labot, var izraisīt neparedzētu darbību un radīt nopietnus ievainojumus. PIRMS turpmākas ekspluatācijas nododiet darbarīku Makita apkopes centrā, lai to atbilstīgi saremontētu.

Lai slēdža mēlītes nepavilkto nejausi, darbarīkam ir bloķēšanas poga. Lai iedarbinātu darbarīku, iespiediet uz iekšu bloķēšanas pogu un pavelciet slēdža mēlīti. Lai apturētu darbarīku, atlaidiet slēdža mēlīti. Slēdža mēlīte ir atvērums, kas paredzēts darbarīka bloķēšanai, ieviejojot piekaramo slēdzeni.

- **Att.22:** 1. Slēdža mēlīte 2. Bloķēšanas poga 3. Piekaramās slēdzenes atvere

ABRĪDINĀJUMS: Neizmantojiet slēdzeni, kuras kājiņas vai troses diametrs ir mazāks par 6,35 mm. Mazāka kājiņa vai trose var nepareizi bloķēt darbarīku izslēgtā stāvoklī, un neparedzēta darbība var radīt smagus ievainojumus.

Zāģēšanas līnijas apēnošana

UZMANĪBU: Lampa nav ūdensizturīga. Nemazgājiet lampu ūdenī un nelietojiet to lietū vai mitrā vidē. Šādi rīkojoties, varat rasties elektrotrieciena risks un izgarojuma tvaiķi.

UZMANĪBU: Nepieskarieties lampas lēcai, jo iedegta vai uzreiz pēc izslēgšanas tā ir ļoti karsta. Tas var izraisīt apdegumus.

UZMANĪBU: Sargiet lampu no triecieniem, jo tādējādi to var sabojāt vai saīsināt ekspluatācijas laiku.

UZMANĪBU: Neskatieties gaismā, neļaujiet tās avotam iespīdēt acīs.

LED lampa apspīd ripzāga asmeni, un zāga asmens ēna krīt pāri apstrādājamajam materiālam, veidojot nekabalrētu zāgēšanas līnijas atzīmi. Nospiediet lampas pogu, lai ieslēgtu gaismu. Izveidojas līnija, pa kuru zāga asmens saskarsies ar apstrādājamā materiāla virsmu, turklāt, zāga asmenim laižoties zemāk, šī līnija kļūst izteiktāka.

► **Att.23:** 1. Lampas slēdzis 2. Lampa 3. Zāgēšanas līnija

Šis indikators palīdz zāgēt tieši pa līniju, kas ar zīmuli uzņēmēta uz apstrādājamā materiāla.

1. Turiet rokturi un nolaidiet ripzāga asmeni, lai uz apstrādājamā materiāla veidotos izteikta zāga asmens ēna.

2. Savietojiet uz apstrādājamā materiāla uzņēmēto zāgēšanas līniju ar asmens ēnas izveidoto līniju.

3. Ja nepieciešams, noregulējiet zāgēšanas slīpumu un slīpeni.

PIEZĪME: Izslēdziet lampu pēc lietošanas. Pretējā gadījumā lampa paliek karsta.

MONTĀŽA

▲BRĪDINĀJUMS: Vienmēr pirms darba veikšanas darbarīkam pārliecinieties, vai tas ir izslēgts un atvienots no strāvas avota. Ja darbarīku neizslēdz un neatvieno no strāvas avota, var izraisīt smagus ievainojumus.

Sešstūru uzgriežņu atslēgas uzglabāšana

Kad sešstūrveida uzgriežņu atslēga netiek lietota, glabājiet to, kā parādīts, lai atslēgu nepazaudētu.

► **Att.24:** 1. Sešstūru uzgriežņu atslēga

Ripzāga asmens uzstādīšana vai noņemšana

▲BRĪDINĀJUMS: Pirms ripzāga asmens uzstādīšanas un noņemšanas vienmēr pārbaudiet, vai darbarīks ir izslēgts un atvienots no elektrotīkla. Darbarīka nejausa iedarbināšana var izraisīt smagas traumas.

▲BRĪDINĀJUMS: Ripzāga asmens noņemšanai un uzstādīšanai izmantojiet tikai Makita uzgriežņu atslēgu. Ja tiek izmantota cita uzgriežņu atslēgu, seššķautņu padziļinājuma bultskrūvī var piekruvēt pārāk cieši vai nepietiekami, un tas var izraisīt smagas traumas.

▲BRĪDINĀJUMS: Nekad neizmantojiet vai aizstājiet daļas, kas nav piegādātās kopā ar šo darbarīku. Šādu daļu izmantošana var izraisīt smagus ievainojumus.

▲BRĪDINĀJUMS: Pēc ripzāga asmens uzstādīšanas pārliecinieties, vai tas ir cieši pievilkt. Vaļīgs ripzāga asmens var izraisīt smagus ievainojumus.

Sagatavošanās ripzāga asmens uzstādīšanai vai noņemšanai

1. Atbloķējiet atbalstu, nospiežot aiztura tapu, pēc tam pārvietojiet atbalstu paceltā pozīcijā.

2. Ar sešstūru uzgriežņatslēgu izskrūvējiet seššķautņu ligzdas bultskrūvī, ar ko piestiprināts centrālais apvalks. Pēc tam paceliet asmens aizsargu un centrālo apvalku.

► **Att.25:** 1. Seššķautņu uzgriežņu atslēga
2. Seššķautņu padziļinājuma bultskrūve
3. Centrālais apvalks 4. Asmens aizsargs

Ripzāga asmens uzstādīšana

▲UZMANĪBU: Uzstādot ripzāga asmeni, gādājiet, lai uz ripzāga asmens redzamās bultiņas virziens sakristu ar bultiņas virzienu, kurā redzama uz asmens korpusa. Ja to neizdara, var gūt traumas un sabojāt darbarīku un/vai apstrādājamo materiālu.

1. Veiciet darbības, kas aprakstītas nodaļā "Sagatavošanās ripzāga asmens uzstādīšanai vai noņemšanai".

2. Nospiediet vārpstas bloķētāju, lai nobloķētu vārpstu, un ar seššķautņu uzgriežņu atslēgu pulksteņrādītāju kustības virzienā atskrūvējiet seššķautņu bultskrūvī. Pēc tam izņemiet seššķautņu padziļinājuma bultskrūvī, ārējo atloku un ripzāga asmeni.

► **Att.26:** 1. Seššķautņu padziļinājuma bultskrūve (ar kreiso vītņi) 2. Ārējais atloks 3. Vārpstas bloķētājs

3. Uzmanīgi piestipriniet ripzāga asmeni pie iekšējā atloka. Uzstādot asmeni, pārliecinieties, ka bultiņas virziens uz ripzāga asmens atbilst bultiņas virzienam uz asmens ietvara.

► **Att.27:** 1. Bultiņa

4. Uzlieciet ārējo atloku un ieskrūvējiet seššķautņu ligzdas bultskrūvī. Ar sešstūru uzgriežņatslēgu pievelciet seššķautņu ligzdas bultskrūvī (ar kreiso vītņi) pretējā pulksteņrādītāju kustības virzienam, turot nospiestu vārpstas bloķētāju.

► **Att.28:** 1. Seššķautņu bultskrūve (ar kreiso vītņi)
2. Ārējais atloks 3. Ripzāga asmens
4. Gredzens 5. Iekšējais atloks 6. Vārpsta

► **Att.29:** 1. Seššķautņu padziļinājuma bultskrūve (ar kreiso vītņi) 2. Ārējais atloks 3. Vārpstas bloķētājs

5. Novietojiet asmens aizsargu un centrālo apvalku to sākotnējā pozīcijā. Lai nostiprinātu centrālo apvalku, pievelciet centrālā apvalka seššķautņu bultskrūvī.

Nolaidiet atbalstu un pārbaudiet, vai asmens aizsargs kustas pareizi.

► **Att.30:** 1. Seššķautņu uzgriežņu atslēga
2. Seššķautņu padziļinājuma bultskrūve
3. Centrālais apvalks 4. Asmens aizsargs

Ripzāga asmens noņemšana

1. Veiciet darbības, kas aprakstītas nodaļā "Saģatavošanās ripzāga asmens uzstādīšanai vai noņemšanai".
2. Lai nobloķētu vārpstu, nospiediet vārpstas bloķētāju. Ar sešstūru uzgriežņatslēgu atskrūvējiet seššķautņu ligzdas bultskrūvi pulksteņrādītāju kustības virzienā. Pēc tam izņemiet seššķautņu ligzdas bultskrūvi, ārējo atloku un ripzāga asmeni.
▶ **Att.31:** 1. Seššķautņu padziļinājuma bultskrūve (ar kreiso vītņi) 2. Ārējais atloks 3. Vārpstas bloķētājs
3. Ja iekšējais atloks ir noņemts, uzstādiat to uz vārpstas ar asmens stiprinājumu pret ripzāga asmeni. Ja atloks ir uzlikts nepareizi, tas berzējas pret instrumentu.
▶ **Att.32:** 1. Seššķautņu bultskrūve (ar kreiso vītņi) 2. Ārējais atloks 3. Ripzāga asmens 4. Gredzens 5. Iekšējais atloks 6. Vārpsta

IEVĒRĪBAI: Uzmanieties, lai nepazaudētu noņemto ārējo atloku un seššķautņu ligzdas bultskrūvi.

Putekļsūcēja pievienošana

Ja vēlaties tīru zāģējumu, pievienojiet Makita putekļu sūcēju.

IEVĒRĪBAI: Atkarībā no izmantotā putekļu sūcēja un šļūtenes putekļu savākšanas pieslēgvietu var nosprostot ripas aizsargs ar putekļu savācēju, padarot putekļu savākšanu neiespējamu. Tādā gadījumā samaziniet putekļu sūcēja sūkšanas jaudu.

- ▶ **Att.33:** 1. Ripas aizsargs ar putekļu savācēju

Putekļu maiss

AUZMANĪBU: Lai novērstu putekļu radītu apdraudējumu, pirms zāģēšanas vienmēr piestipriniet putekļu maisu vai pievienojiet putekļu sūcēju.

Lietojot putekļu maisu, zāģēšanas laikā nerodas putekļi, jo tie tiek savākti. Lai uzstādītu putekļu maisu, pievienojiet to putekļu izplūdes uzgalim.

- ▶ **Att.34:** 1. Putekļu maiss 2. Putekļu izplūdes uzgalis

Kad putekļu maiss ir piepildīts aptuveni līdz pusei, noņemiet to no darbarīka un izņemiet stiprinājumu. Iztukšojiet putekļu maisa saturu, viegli pa to pasitot, lai atdalītu iekšpusē pielipušās daļiņas, kas turpmāk varētu kavēt putekļu savākšanu.

- ▶ **Att.35:** 1. Stiprinājums

Apstrādājamā materiāla nostiprināšana

ABRĪDINĀJUMS: Ļoti svarīgi ir vienmēr pareizi nostiprināt apstrādājamo materiālu ar pareizo skrūvspīļu veidu. Ja to neizdara, iespējams izraisīt nopietnus ievainojumus un radīt bojājumus darbarīkam un/vai apstrādājamam materiālam.

ABRĪDINĀJUMS: Pēc zāģēšanas nepaceliet zāģa asmeni, kamēr tas nav pilnīgi apstājies. Paceļot zāģa asmeni, kas griežas pēc inerces, varat gūt smagas traumas un sabojāt apstrādājamo materiālu.

ABRĪDINĀJUMS: Zāģējot apstrādājamo materiālu, kas ir garāks par leņķzāģa atbalsta pamatni, materiāls jāatbalsta visā garumā aiz atbalsta pamatnes un tādā pašā augstumā, lai materiāls būtu novietots horizontāli. Pareizi apstrādājamā materiāla atbalsts ļauj novērst asmens iestrēgšanu un iespējamu atslīteni, kas var radīt smagus ievainojumus. Nostiprinot apstrādājamo materiālu, neizmantojiet tikai vertikālās skrūvspīles. Plāni materiāli mēdz ieliekties. Atbalstiet materiālu visā tā garumā, lai asmens neistrēgtu un lai nerastos ATSIITIENS.

- ▶ **Att.36:** 1. Atbalsts 2. Pagriežamā pamatne

Vadotnes ierobežotāji

ABRĪDINĀJUMS: Pirms darbarīka ekspluatācijas pārliecinieties, vai slīdošais ierobežotājs ir cieši piestiprināts ar saspiedējskrūvi.

ABRĪDINĀJUMS: Pirms slīpenča zāģēšanas pārliecinieties, vai neviena darbarīka daļa, jo īpaši ripzāga asmens, nepieskaras ierobežotājam, pilnībā nolaizot un paceļot rokturi jebkurā stāvoklī vai virzot atbalstu tā pilnā gājiena diapazonā. Ja darbarīks vai ripzāga asmens pieskaras ierobežotājam, tas var izraisīt atslīteni vai materiāla negaidītu izkustēšanos un radīt smagus ievainojumus.

Šis darbarīks ir aprīkots ar slīdošo ierobežotāju. Veicot kreiso slīpenča zāģēšanu, atslābiniet saspiedējskrūvi un pārvietojiet slīdošo ierobežotāju tā, lai tas netraucētu atbalsta pārvietošanu. Nostipriniet slīdošo ierobežotāju, pievelkot saspiedējskrūvi.

- ▶ **Att.37:** 1. Slīdošais ierobežotājs 2. Vadotnes ierobežotājs 3. Spīlējuma skrūve

Vertikālās skrūvspīles

ABRĪDINĀJUMS: Ekspluatācijas laikā apstrādājamajam materiālam jābūt ar skrūvspīlēm cieši piestiprinātam pie pagriežamās pamatnes un vadotnes ierobežotāja. Ja apstrādājamais materiāls nav pareizi nostiprināts pret ierobežotāju, materiāls zāģēšanas laikā var izkustēties, izraisot iespējamu zāģa asmens bojājumu un materiāla izmešanu, kā arī zāģa vadības zudumu, kas var radīt smagus ievainojumus.

Vertikālās skrūvspīles var uzstādīt urbumos pamatnes kreisajā pusē, pamatnes labajā pusē vai pamatnes pagarinātāja kreisajā pusē.

Spiediet apstrādājamo materiālu līdzīgi uz vadotnes ierobežotāja un pagriežamās pamatnes. Novietojiet apstrādājamo materiālu vēlamajā zāģēšanas stāvoklī un cieši to piestipriniet, pievelkot skrūvspīļu rokturi. Pārliecinieties, vai, nolaizot rokturi lejup līdz galam, neviena darbarīka daļa nepieskaras vertikālajām skrūvspīlēm. Ja kāda darbarīka daļa tām pieskaras, mainiet vertikālo skrūvspīļu pozīciju.

- ▶ **Att.38:** 1. Urbums 2. Skrūvspīļu rokturis

Pamatnes pagarinātājs

▲BRĪDINĀJUMS: Vienmēr atbalstiet garu apstrādājamo materiālu tā, lai tas ir vienā līmenī ar pagriežamās pamatnes augšējo virsmu, nodrošinot precīzu griezumam un nepieļaujot bīstamu darbarīka kontroles zudumu. Pareizs apstrādājamo materiāla atbalsts ļaus novērst asmens iestrēgšanu un iespējamu atsitieni, kas var radīt smagus ievainojumus.

▲BRĪDINĀJUMS: Pirms zāģēšanas vienmēr pārliecinieties, vai pamatnes pagarinātāji ir droši pieskrūvēti ar spārnskrūvēm.

Garu apstrādājamo materiālu horizontālai turēšanai darbarīka abās pusēs ir uzstādīti pamatnes pagarinātāji. Atskrūvējiet spārnskrūves un izvelciet pamatnes pagarinātājus tādā garumā, kas piemērots apstrādājamā materiāla turēšanai. Pēc tam cieši pieskrūvējiet spārnskrūves.

► **Att.39:** 1. Pamatnes pagarinātājs 2. Spārnskrūve

Griešanas laikā novietojiet apstrādājamo materiālu līdzīni pie vadotnes ierobežotājiem.

► **Att.40:** 1. Vadotnes ierobežotājs 2. Pamatnes pagarinātājs

EKSPLUATĀCIJA

Šis darbarīks ir paredzēts kokmateriālu zāģēšanai. Izmantojot piemērotus Makita oriģinālos zāģu asmeņus, var apstrādāt arī tālāk norādītos materiālus.

— Alumīniju

Lai uzzinātu zāģējamajam materiālam piemērotos ripzāģa asmeņus, skatiet mūsu tīmekļa vietni vai sazinieties ar vietējo Makita izplatītāju.

▲BRĪDINĀJUMS: Pirms slēdža ieslēgšanas pārbaudiet, vai zāģa asmens nesaskaras ar apstrādājamo materiālu u. c. Ja darbarīku ieslēdz, kad zāģa asmens pieskaras apstrādājamajam materiālam, var rasties atsitieni un smagi ievainojumi.

▲BRĪDINĀJUMS: Pēc zāģēšanas nepaceliet zāģa asmeni, kamēr tas nav pilnīgi apstājies. Pacelot zāģa asmeni, kas griežas pēc inerces, varat gūt smagas traumas un sabojāt apstrādājamo materiālu.

▲BRĪDINĀJUMS: Kamēr zāģa asmens griežas, neveiciet regulēšanu, piemēram, negrieziet darbarīka rokturi, kloķi un sviras. Veicot regulēšanu, kamēr zāģa asmens griežas, var gūt smagus ievainojumus.

▲UZMANĪBU: Kad zāģa galva ir pilnībā nolaista, neceliet to ar nekontrolētu kustību. Ja zāģa galvas kustība netiek kontrolēta, tā var atsitēties pret jums un radīt traumu.

IEVĒRĪBAI: Pirms lietošanas obligāti atbloķējiet aiztura tapu un paceliet rokturi augšup.

IEVĒRĪBAI: Zāģējot nespiediet pārāk daudz uz roktura. Spiežot pārāk stipri, dzinējam var rasties pārslodze un/vai zāģēšanas efektivitāte var mazināties. Spiediet rokturi uz leju tikai tik spēcīgi, cik vajadzīgs, lai zāģētu vienmērīgi, ievērojami nemazinot asmens ātrumu.

IEVĒRĪBAI: Lai zāģētu, uzmanīgi spiediet uz leju rokturi. Ja rokturi spiež uz leju spēcīgi vai ja to spiež no sāniem, zāģa asmens vibrē un vairs nevirzās pa atzīmēto līniju uz apstrādājamā materiāla (zāģa atzīmi), un zāģējums var būt neprecīzs.

IEVĒRĪBAI: Veicot slīdošo zāģēšanu, uzmanīgi bīdīet slīdrāmi vadotnes ierobežotāja virzienā, nepārtraucot šo darbību. Ja zāģēšanas laikā pārtrauksiet bīdīt slīdrāmi, apstrādājamā materiālā būs redzamas šīs vietas pēdas un zāģis vairs nezāģēs precīzi.

Zāģēšana ar spiedienu

▲BRĪDINĀJUMS: Veicot zāģēšanu ar spiedienu, vienmēr bloķējiet slīdrāmja slīdošo kustību. Zāģējot bez bloķēšanas, var izraisīt iespējamu atsitieni, kas var radīt smagus ievainojumus.

Apstrādājamos materiālus 65 mm augstumā un 80 mm platumā iespējams sazāģēt tālāk minētajā veidā.

1. Spiediet slīdrāmi pret vadotnes ierobežotāju, līdz tas apstājas, un bloķējiet to ar spārnskrūvi.
 2. Ar pareizo skrūvspīļu veidu nostipriniet apstrādājamo materiālu.
 3. Ieslēdziet darbarīku (ripzāģa asmens nedrīkst saskarties ar materiālu) un pirms nolaišanas gaidiet, līdz ripzāģa asmens griežas ar maksimālo ātrumu.
 4. Lai zāģētu materiālu, uzmanīgi nolaidiet rokturi līdz zemākajam stāvoklim.
 5. Kad zāģēšana pabeigta, izslēdziet darbarīku un gaidiet, līdz ripzāģa asmens ir pilnībā apstājies, pirms novietojat to atpakaļ pilnīgi paceltā stāvoklī.
- **Att.41:** 1. Spārnskrūve

Slīdoša zāģēšana (spiešana) (zāģējot platus apstrādājamus materiālus)

▲BRĪDINĀJUMS: Vienmēr, kad tiek veikta slīdes zāģēšana, vispirms pavelciet atbalstu pilnībā pret sevi un pilnībā nospiediet rokturi, tad virziet atbalstu pret vadotni. Nesāciet zāģēšanu, ja atbalsts pilnībā nav pavilkts pret sevi. Ja veicat slīdes zāģēšanu, nepavelkot atbalstu pilnībā pret sevi, var rasties neparedzēts atsitieni un izraisīt nopietnus ievainojumus.

▲BRĪDINĀJUMS: Nekad neveiciet slīdes zāģēšanu, velkot atbalstu pret sevi. Ja zāģēšana laikā atbalstu velk pret sevi, var izraisīt neparedzētu atsitieni, kas var radīt nopietnus ievainojumus.

▲BRĪDINĀJUMS: Nekad neveiciet slīdes zāģēšanu, ja rokturis ir bloķēts zemākajā stāvoklī.

1. Atskrūvējiet valņīgāk spārnskrūvi, lai slīdrāmi varētu brīvi virzīt.
2. Ar pareizo skrūvspiļu veidu nostipriniet apstrādājamo materiālu.
3. Pavelciet atbalstu virzienā pret sevi līdz galam.
4. Ieslēdziet darbarīku (ripzāga asmens nedrīkst saskarties ar materiālu) un sagaidiet, līdz zāga asmens griežas ar maksimālo ātrumu.
5. Nospiediet uz leju rokturi un **bīdīet atbalstu vadotnes ierobežotāja virzienā un cauri apstrādājamoj materiālam.**
6. Kad zāģēšana pabeigta, izslēdziet darbarīku un **nogaidiet, līdz zāga asmens ir pilnībā apstājies**, pirms atgriežat to atpakaļ pilnīgi paceltā stāvoklī.
► **Att.42:** 1. Spārnskrūve

Zāģēšana leņķī

Skatiet sadaļu „Zāģēšanas leņķa noregulēšana”.

Slīpleņķa zāģēšana

▲BRĪDINĀJUMS: Pēc zāga asmens iestatīšanas slīpleņķa zāģēšanai un pirms darbarīka lietošanas nodrošiniet, lai atbalsts un zāga asmens brīvi virzītos visā paredzētā zāģējuma diapazonā. Atbalsta vai asmens gājiena pārtraukšana zāģēšanas laikā var izraisīt atsitienu un radīt smagus ievainojumus.

▲BRĪDINĀJUMS: Veicot slīpleņķa zāģēšanu, neturiet rokas zāga asmens ceļā. Zāga asmens leņķis var lietotajam sniegt citu priekšstatu par asmens īsto ceļu zāģēšanas laikā, un saskarsme ar zāga asmeni izraisīs smagus ievainojumus.

▲BRĪDINĀJUMS: Zāga asmeni nedrīkst pacelt, pirms tas ir pilnībā apstājies. Slīpleņķa zāģēšanas laikā nozāģētais gabals var atbalsstīties pret zāga asmeni. Ja pacel rotējošu zāga asmeni, nozāģēto gabalu zāga asmens var izmest gaisā, un šis materiāls var sadalīties, kas var izraisīt smagus ievainojumus.

IEVĒRĪBAI: Spiežot rokturi leļup, spiediet paralēli zāga asmenim. Ja spiež perpendikulāri pagriežamajai pamatnei vai ja zāģējat maina spiešanas virzienu, zāģējums nav precīzs.

1. Novietojiet slīdošo ierobežotāju kreisajā pusē, lai novērstu saskari ar atbalstu.
2. Atbloķējiet aiztura tapu un atskrūvējiet valņīgāk spārnskrūvi uz strēles, lai atbalstu varētu brīvi pacelt un virzīt.
3. Iestatiet slīpleņķi, izpildot darbības, kas izklāstītas sadaļā par slīpleņķa regulēšanu. Pēc tam pievelciet rokturi.
4. Ar skrūvspīlēm nostipriniet apstrādājamo materiālu.
5. Pavelciet atbalstu virzienā pret sevi līdz galam.
6. Ieslēdziet darbarīku (ripzāga asmens nedrīkst saskarties ar materiālu) un sagaidiet, līdz ripzāga asmens griežas ar maksimālo ātrumu.
7. Uzmanīgi nolaidiet rokturi līdz zemākajam stāvoklim, spiežot paralēli ripzāga asmenim, un **bīdīet atbalstu vadotnes ierobežotāja virzienā, lai zāģētu apstrādājamo materiālu.**
8. Kad zāģēšana pabeigta, izslēdziet darbarīku un **nogaidiet, līdz ripzāga asmens ir pilnībā apstājies**, pirms atgriežat zāga asmeni atpakaļ pilnīgi paceltā stāvoklī.
► **Att.43**

Kombinētā zāģēšana

Kombinētā zāģēšana ir process, kurā slīpais leņķis uz apstrādājamā materiāla tiek veidots vienlaicīgi ar zāģēšanas leņķi. Kombinēto zāģēšanu iespējams veikt tabulā redzamajā leņķī.

Zāģēšanas leņķis	Slīpais leņķis
Pa kreisi un pa labi 0–45°	Pa kreisi 0°–45°

Zāģējot kombinēti, skatiet skaidrojumu sadaļās par zāģēšanu ar spiedienu, zāģēšanu ar virzīšanu (spiešana), zāģēšanu leņķī un slīpleņķa zāģēšanu.

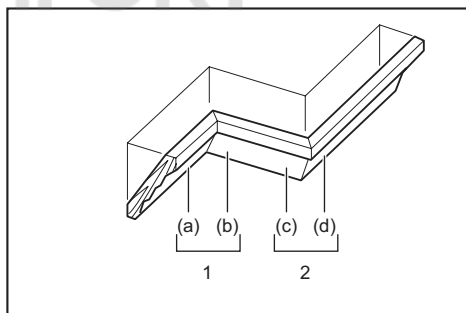
Jostiņu virs dzegas un stūrīstu zāģēšana

Jostiņas virs dzegas un stūrīstes var izzāģēt ar kombinēto leņķzāģi, profilus novietojot plakani uz pagriežamās pamatnes.

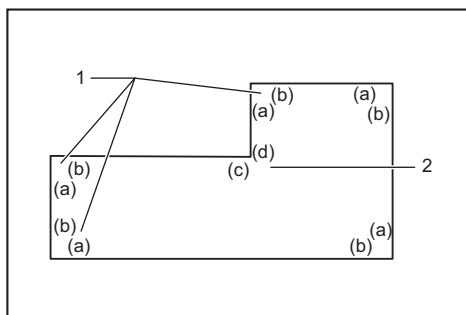
Ir divi standarta jostiņu virs dzegas veidi un viens stūrīstes veids; 52/38° sienas leņķa jostiņa virs dzegas, 45° sienas leņķa jostiņa virs dzegas un 45° sienas leņķa stūrīste.

► **Att.44:** 1. 52/38° tipa jostiņa virs dzegas 2. 45° tipa jostiņa virs dzegas 3. 45° tipa stūrīste

Ir jostiņu virs dzegas un stūrīstu saduras, kas izgatavotas „iekšējiem” 90° stūriem ((a) un (b) attēlā) un „ārējiem” 90° stūriem ((c) un (d) attēlā).



1. Iekšējais stūris 2. Ārējais stūris



1. Iekšējais stūris 2. Ārējais stūris

Mērišana

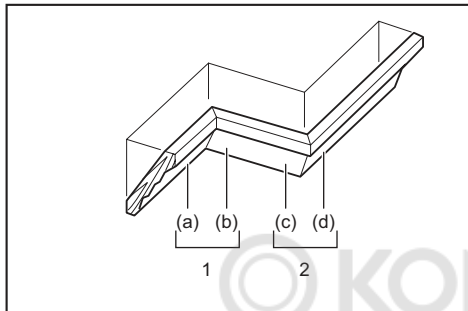
Izmēriet sienas platumu un atbilstoši pielāgojiet tam apstrādājamā materiāla platumu. Vienmēr pārļiecinieties, ka apstrādājamā materiāla platums saskaras ar tā paša garuma sienas malu.

- **Att.45:** 1. Apstrādājamo materiāls 2. Sienas platumu 3. Apstrādājamā materiāla platums 4. Sienas saskare ar malu

Vienmēr vairākus gabalus izmantojiet pārbaudei, lai pārbaudītu zāģēšanas leņķus.

Zāģējot jostīnu virs dzegas un stūrlīstes, iestatiet slīpo leņķi un zāģēšanas leņķi, kā norādīts (A) tabulā, un novietojiet profilus uz zāģa pamatnes augšējās virsmas, kā norādīts (B) tabulā.

Veicot kreisās puses slīpo zāģēšanu



1. Iekšējais stūris 2. Ārējais stūris

Tabula (A)

-	Stūrlīstes stāvoklis attēlā	Slīpais leņķis		Zāģēšanas leņķis	
		52/38° tips	45° tips	52/38° tips	45° tips
Iekšējam stūrim	(a)	Pa kreisi 33,9°	Pa kreisi 30°	Pa labi 31,6°	Pa labi 35,3°
	(b)			Pa kreisi 31,6°	Pa kreisi 35,3°
Ārējam stūrim	(c)			Pa labi 31,6°	Pa labi 35,3°
	(d)			Pa labi 31,6°	Pa labi 35,3°

Tabula (B)

-	Stūrlīstes stāvoklis attēlā	Stūrlīstes mala pret vadotnes ierobežotāju	Sazāģētais materiāls
Iekšējam stūrim	(a)	Griestu saskares malai jāatrodas pret vadotnes ierobežotāju.	Sazāģētais materiāls atradīsies ripzāģa asmens kreisajā pusē.
	(b)	Sienas saskares malai jāatrodas pret vadotnes ierobežotāju.	
Ārējam stūrim	(c)	Griestu saskares malai jāatrodas pret vadotnes ierobežotāju.	Sazāģētais materiāls atradīsies ripzāģa asmens labajā pusē.
	(d)	Griestu saskares malai jāatrodas pret vadotnes ierobežotāju.	

Piemērs:

zāģējot 52/38° leņķa jostīnu virs dzegas stāvoklim (a) iepriekšējā attēlā, rīkojieties, kā tālāk norādīts.

- Nolieciet un nostipriniet slīpā leņķa iestatījumu uz 33,9° PA KREISI.
- Noregulējiet un nostipriniet zāģēšanas leņķa iestatījumu uz 31,6° PA LABI.
- Novietojiet jostīnu virs dzegas ar tās plato aizmugures (slēpto) virsmu uz pagriežamās pamatnes un ar GRIESTU MALU pret zāģa vadotnes ierobežotāju.
- Gatavais materiāls pēc zāģēšanas vienmēr būs ripzāģa asmens KREISAJĀ pusē.

Alumīnija profilu zāģēšana

Lai alumīnijs nedeformētos, alumīnija profilu nostiprināšanai izmantojiet starplikas blokus vai atgriezumus gabalus, kā attēlots zīmējumā. Zāģējot alumīnija profilu, izmantojiet zāģēšanas smērvielu, lai uz ripzāģa asmens nenogulsnētos alumīnija materiāls.

▲BRĪDINĀJUMS: Nekad nezāģējiet biezus vai apaļus alumīnija profilus. Biezus vai apaļus alumīnija profilus ir grūti nostiprināt, un zāģēšanas laikā tie var kļūt vaļīgi, tādējādi zāģis var kļūt nevadāms un radīt smagus ievainojumus.

- **Att.46:** 1. Skrūvspīles 2. Starplikas bloks 3. Vadotnes ierobežotājs 4. Alumīnija profils 5. Starplikas bloks

Atkārtota zāģēšana vienādā platumā

Ja jānozāģē vairāki vienāda garuma materiāla gabali robežās no 225 mm līdz 350 mm garumam, pavelciet uz augšu iestatīšanas plāksni, kā parādīts attēlā.

Nostipriniet apstrādājamo materiālu zāģēšanas pozīcijā. Izbīdiet labo pamatnes pagarinātāju tā, lai iestatīšanas plāksne būtu vienā līmenī ar zāģējamā materiāla galu. Pēc tam nostipriniet pamatnes pagarinātāju ar spārnskrūvi.

- **Att.47:** 1. Bloķēšanas plāksne 2. Spārnskrūve

Rievu zāģēšana

▲BRĪDINĀJUMS: Nemēģiniet veikt šāda veida zāģēšanu, izmantojot platāku asmeni vai cokolasasmeni. Ja gropes zāģēšanu mēģina veikt ar platāku asmeni vai cokolasasmeni, tas var radīt neparedzētus zāģēšanas rezultātus un atsitienu, kas var izraisīt nopietnus ievainojumus.

▲BRĪDINĀJUMS: Ja nezāģējat rievu zāģēšanas režīmā, bet kādā citā, obligāti novietojiet aiztura kloķi atpakaļ tā sākotnējā stāvoklī. Ja zāģēšanu mēģina veikt ar sprūda strēli nepareizā stāvoklī, tas var radīt neparedzētus zāģēšanas rezultātus un atsitienu, kas var izraisīt nopietnus ievainojumus.

Lai veiktu cokolveida zāģēšanu, rīkojieties, kā tālāk norādīts:

1. Lai ierobežotu ripzāģa asmens zāģēšanas dziļumu, ar regulēšanas skrūvi un aiztura kloķi noregulējiet ripzāģa asmens apakšējās robežas stāvokli. Skatiet sadaļu par aiztura kloķi.
2. Kad ripzāģa asmens apakšējās robežas stāvoklis ir noregulēts, zāģējiet paralēlas rievas visa apstrādājamā materiāla platumā, izmantojot zāģēšanas ar virziņu (stumšanas) režīmu.
- **Att.48:** 1. Ar zāģa asmeni iezāģētas rievas
3. Izņemiet starp rievām esošos materiāla atgriezumus.

Darbarīka pārnēsāšana

Pirms darbarīka pārnēsāšanas obligāti atvienojiet to no elektrotīkla un pārbaudiet, vai visas darbarīka kustīgās daļas ir nofiksētas. Vienmēr pārbaudiet tālāk norādīto:

- darbarīks ir atvienots no elektrotīkla;
- slīdrāmīs ir slīpleņķa 0° pozīcijā un fiksēts;
- slīdrāmīs ir nolaists un bloķēts;
- pamatne ir piebīdīta jūsu virzienā un nofiksēta;
- pagriežamā pamatne ir novietota zāģēšanas leņķa pozīcijā pa labi līdz galam un fiksēta;

Nesiet darbarīku, turot aiz pārnēsāšanas roktura un darbarīka pamatnes viena gala vai arī turot aiz abiem darbarīka pamatnes galiem.

► **Att.49**

► **Att.50**

▲BRĪDINĀJUMS: Atbalsta pacelšanas aiztura tapa ir paredzēta tikai pārnēsāšanai, uzglabāšanai un regulēšanai – tā nav paredzēta zāģēšanai. Izmantojot aiztura tapu zāģēšanas laikā, ripzāģa asmens var nejauši izkustēties, tādējādi izraisot atsitieni un radot smagus ievainojumus.

▲UZMANĪBU: Pirms darbarīka nešanas vienmēr nostipriniet visas kustīgās daļas. Ja darbarīka daļas pārnēsāšanas laikā izkustās vai izslīd, var rasties kontroles vai līdzsvara zudums un rasties ievainojumi.

▲UZMANĪBU: Pārļiecinieties, vai atbalsta augstuma regulators ir pareizi nofiksēts ar aiztura tapu tā apakšdaļā. Ja aiztura tapa nav pareizi nofiksēta, atbalsts var neparedzami pavirzīties uz augšu un izraisīt savainojumus.

APKOPE

▲BRĪDINĀJUMS: Pirms pārbaudes vai apkopes vienmēr pārļiecinieties, vai darbarīks ir izslēgts un atvienots no strāvas avota. Ja darbarīku neizslēdz un neatvieno no strāvas avota, darbarīks var nejauši ieslēgties un radīt smagus ievainojumus.

▲BRĪDINĀJUMS: Lai darba rezultāts būtu maksimāli kvalitatīvs un drošs, vienmēr pārbaudiet, vai zāģa asmens ir ass un tīrs. Zāģēšana ar trulu un/vai netīru zāģa asmeni var izraisīt atsitieni un radīt smagus ievainojumus.

IEVĒRĪBAI: Nekad neizmantojiet gazoļīnu, benzīnu, atšķaidītāju, spirtu vai līdzīgus šķidrumus. Tas var radīt izbalēšanu, deformāciju vai plaisas.

Lai saglabātu izstrādājuma DROŠU un UZTICAMU darbību, remontdarbus, apkopi un regulēšanu uzticiet veikt tikai Makita pilnvarotam vai rūpnīcas apkopes centram, un vienmēr izmantojiet tikai Makita rezerves daļas.

Zāģēšanas leņķa noregulēšana

Šis darbarīks ir uzmanīgi noregulēts un savietots rūpnīcā, taču, ja ar to nerīkosieties saudzīgi, tas vairs var nebūt pareizi noregulēts. Ja darbarīks nav pareizi savietots, rīkojieties šādi:

Zāģēšanas leņķis

1. Nofiksējiet pamatni nolaistā pozīcijā ar aiztura tapu. Bīdīet atbalstu vadotnes ierobežotajā virzienā un, lai nostiprinātu atbalstu, pievelciet spārnskrūvi.
2. Izmantojot fiksētā aiztura funkciju, iestatiet pagriežamo pamatni 0° pozīcijā. (Atstājiet to, kā ir, ja rādītājs nav vērstš pret 0° leņķa atzīmi.)
3. Ar sešstūru uzgriežņu atslēgu atskrūvējiet seššķautņu ligzdas bulkskrūves, ar kurām piestiprināts vadotnes ierobežotājs.
► **Att.51:** 1. Aiztura tapa 2. Spārnskrūve 3. Seššķautņu ligzdas bulkskrūves
4. Izmantojot trijstūri vai lekālu, savietojiet perpendikulāri zāģa asmens sānu ar vadotnes ierobežotāja priekšpusi. Pēc tam pēc kārtas, sākot no labās puses, stingri pievelciet seššķautņu ligzdas bulkskrūves uz vadotnes ierobežotāja.
► **Att.52:** 1. Vadotnes ierobežotājs 2. Trijstūris
5. Ja rādītājs nav vērstš pret 0° leņķa atzīmi, atskrūvējiet skrūvi, ar ko piestiprināts rādītājs, un noregulējiet pēdējo tā, lai tas būtu vērstš pret 0° leņķa atzīmi.
► **Att.53:** 1. Skrūve 2. Rādītājs 3. Zāģēšanas leņķa skala

Slīpais leņķis

0° slīpais leņķis

1. Nofiksējiet pamatni nolaistā pozīcijā ar aiztura tapu. Bīdīet atbalstu vadotnes ierobežotāja virzienā un, lai nostiprinātu atbalstu, pievelciet spārnskrūvi.
2. Atskrūvējiet sviru. Pēc tam pagrieziet 0° regulēšanas bulkskrūvi divus vai trīs apgriezienus pretēji pulksteņrādītāju kustības virzienam, lai savērtu ripzāģa asmeni pa labi.
► **Att.54:** 1. Svira 2. 0° regulēšanas bulkskrūve
3. Izmantojot trijstūri, lekālu u. tml., zāģa asmens malu rūpīgi novietojiet perpendikulāri pagriežamās pamatnes augšējai virsmai, pagriežot 0° regulēšanas bulkskrūvi pulksteņrādītāju kustības virzienā. Pēc tam stingri pievelciet sviru, lai fiksētu iestatīto 0° leņķi.
► **Att.55:** 1. Trijstūris 2. Zāģa asmens 3. Pagriežamās pamatnes augšējā virsma
4. Ja rādītājs nav vērstš pret 0° leņķa atzīmi, atskrūvējiet skrūvi, ar ko piestiprināts rādītājs, un noregulējiet pēdējo tā, lai tas būtu vērstš pret 0° leņķa atzīmi.
► **Att.56:** 1. Skrūve 2. Rādītājs 3. Slīpleņķa skala

45° slīpais leņķis

IEVĒRĪBAI: Pirms 45° slīpleņķa iestatīšanas noregulējiet 0° slīpleņķi.

1. Pieskrūvējiet spārnskrūvi, lai nostiprinātu pamatni.
2. Atskrūvējiet sviru. Pēc tam līdz galam sasveriet atbalstu pa kreisi.
► **Att.57:** 1. Spārnskrūve 2. Svira
3. Pārbaudiet, vai rādītājs slīpleņķa skalā norāda uz 45° atzīmi.

Ja rādītājs nenorāda uz 45° atzīmi, savietojiet to ar 45° atzīmi, griežot 45° regulēšanas bultskrūvi.

► **Att.58:** 1. 45° regulēšanas bultskrūve

Ogles suku nomaiņa

Regulāri izņemiet un pārbaudiet ogles suku. Kad ogles suku nolietojušās līdz robežas atzīmei, nomainiet tās. Turiet ogles suku tīras un pārbaudiet, vai tās brīvi ievietojas turētājos. Abas ogles suku ir jānomaina vienlaicīgi. Izmantojiet tikai identiskas ogles suku.

► **Att.59:** 1. Robežas atzīme

Lai noņemtu suku turētāja vāciņus, izmantojiet skrūvgriezi. Izņemiet nolietojušās ogles suku, ievietojiet jaunas un nostipriniet suku turētāja vāciņus.

► **Att.60:** 1. Suku turētāja vāciņš

Pēc ekspluatācijas

Pēc ekspluatācijas ar lupatīņu vai ko līdzīgu no darbarīka notīriet tam pielipušās skaidas un putekļus. Rūpējieties, lai asmens aizsargs būtu tīrs, ievērojot iepriekš minētajā sadaļā „Asmens aizsargs” minētos norādījumus. Slīdošās daļas ieeļļojiet ar mašīneļļu, lai tās nesarūsētu.

PAPILDU PIEDERUMI

▲BRĪDINĀJUMS: Šos piederumus vai papildierīces ieteicams izmantot kopā ar šajā rokasgrāmatā aprakstīto „Makita” darbarīku. Izmantojot citus piederumus vai papildierīces, var radīt smagus ievainojumus.

▲BRĪDINĀJUMS: Piederumu vai papildierīces izmantojiet tikai paredzētajam mērķim. Nepareizi lietojot piederumus vai papildierīces, var radīt smagus ievainojumus.

Ja jums vajadzīga palīdzība vai precīzāka informācija par šiem piederumiem, vērsieties savā tuvākajā Makita apkopes centrā.

- Zāģa asmens ar tērauda un karbīda uzgaļiem
- Vertikālās skrūvspīles
- Putekļu maiss
- Trijstūris
- Seššķautņu uzgriežņu atslēga
- Statīva komplekts

PIEZĪME: Daži sarakstā norādītie izstrādājumi var būt iekļauti instrumenta komplektācijā kā standarta piederumi. Tie dažādās valstīs var būt atšķirīgi.

SPECIFIKACIJOS

Modelis:		LS0816F
Disko skersmuo		216 mm
Angos skersmuo	Europos šalys	30 mm
	Ne Europos šalys	25,4 mm arba 30 mm (atsižvelgiant į šalį)
Didž. pjūklo disko prapjovimo storis		2,8 mm
Didž. įžambus kampas		Kairėje 47°, dešinėje 47°
Didž. įstrižas kampas		Kairėje 47°, dešinėje 2°
Be apkrovos (aps./min.)		5 000 min ⁻¹
Matmenys (I x P x A)		476 mm x 705 mm x 521 mm
Grynasis svoris		13,9 kg
Saugos klasė		□/II

- Atliekame tęsinius tyrimus ir nuolatos tobuliname savo gaminius, todėl čia pateikiamos specifikacijos gali būti keičiamos be įspėjimo.
- Skirtingose šalyse specifikacijos gali skirtis.
- Svoris pagal EPTA 2014 m. sausio mėn. procedūrą

Pjovimo pajėgumai (aukštis x plotis) su Ø 216 mm pjūklo disku

Nuožulnus kampas	Įstrižasis kampas		
	45° (kairėje)	0°	2° (dešinėje)
0°	36 mm x 305 mm	65 mm x 305 mm	60 mm x 305 mm
45° (kairėje ir dešinėje)	36 mm x 215 mm	65 mm x 215 mm	-

Simboliai

Toliau yra nurodyti simboliai, kurie gali būti naudojami įrangai. Prieš naudodami įsitinkite, kad suprantate jų reikšmę.



Perskaitykite instrukcijų vadovą.



DVIGUBA IZOLIACIJA



Užsidėkite apsauginius akinius.



Saugodamiesi sužalojimų, kuriuos gali sukelti skriejančios nuopjovos, baigę pjauti laikykite pjūklo galvutę nuleidę, kol pjūklo diskas visiškai sustos.



Atlikdami slenkamąjį pjūvį, pirmiausiai iki galo patraukite atramą ir nuspauskite rankeną žemyn, tada pastumkite atramą kreipiamojo aptvaro link.



Nekiškite rankų ir pirštų prie pjūklo disko.



Tinkamai nustatykite slankiuosius aptvarus atokiai nuo pjūklo disko ir disko apsaugo.



Nežiūrėkite į įjungtą lemputę.



Taikoma tik ES šalims

Kadangi įrangoje yra pavojingų komponentų, panaudota elektrinė ir elektroninė įranga gali turėti neigiamo poveikio aplinkai ir žmonių sveikatai.

Nešalinkite elektros ir elektroninių prietaisų kartu su buitinėmis atliekomis!

Pagal Europos direktyvą dėl elektros ir elektroninės įrangos atliekų ir jos pritaikymą nacionaliniams įstatymams, panaudota elektros ir elektroninė įranga turi būti surenkama atskirai ir pristatoma į atskirą buitinių atliekų surinkimo punktą, kuris veikia pagal aplinkos apsaugos taisykles. Tai rodo perbrauktas konteinerio ant ratukų simbolis, pateiktas ant įrangos.

Numatytoji naudojimo paskirtis

Šis įrankis skirtas medienai tiksliai, tiesiai ir įžambiai pjauti. Naudojant tinkamus pjūklo diskus, galima pjauti ir aliuminį. Išsamiau skaitykite skyriuje NAUDOJIMAS.

Elektros energijos tiekimas

Įrenginiui turi būti tiekiamas tokios įtampos elektros energija, kaip nurodyta duomenų lentelėje; įrenginys veikia tik su vienfazė kintamąja srove. Jie yra dvigubai izoliuoti, todėl gali būti naudojami prijungus prie elektros lizdo be įžeminimo laido.

Triukšmas

Įprastas triukšmo A lygis, nustatytas pagal EN62841-3-9:

Garso slėgio lygis (L_{pA}): 91 dB (A)

Garso galios lygis (L_{WA}): 102 dB (A)

Paklaida (K): 3 dB (A)

PASTABA: Paskelbta (-os) triukšmo reikšmė (-ės) nustatyta (-os) pagal standartinį testavimo metodą ir ji galima naudoti vienam įrankiui palyginti su kitu.

PASTABA: Paskelbta (-os) triukšmo reikšmė (-ės) taip pat gali būti naudojama (-os) norint preliminariai įvertinti triukšmo poveikį.

⚠️ ĮSPĖJIMAS: Dėvėkite ausų apsaugą.

⚠️ ĮSPĖJIMAS: Faktiškai naudojant elektrinį įrankį, keliamo triukšmo dydis gali skirtis nuo paskelbtos (-ų) reikšmės (-ių), priklausomai nuo būdų, kuriais yra naudojamas šis įrankis, ir ypač nuo to, kokio tipo ruošinys apdirbamas.

⚠️ ĮSPĖJIMAS: Siekdami apsaugoti operatorių, būtinai įvertinkite saugos priemones, remdamiems vibracijos poveikio įvertinimu esant faktinėms naudojimo sąlygoms (atsižvelgdami į visas darbo ciklo dalis, pavyzdžiui, ne tik kiek laiko įrankis veikia, bet ir kiek kartų jis yra išjungiamas bei kai jis veikia be apkrovų).

Atitikties deklaracijos

Tiek Europos šalims

Atitikties deklaracijos įtrauktos į šios naudojimo instrukcijos A priedą.

SAUGOS ĮSPĖJIMAI

Bendrieji įspėjimai dirbant elektriniais įrankiais

⚠️ ĮSPĖJIMAS Perskaitykite visus saugos įspėjimus, nurodymus, peržiūrėkite paveikslėlius ir technines sąlygas, pateiktas su šiuo elektriniu įrankiu. Nesilaikant toliau pateiktų nurodymų, galima patirti elektros šoką, sunkų sužalojimą ir (arba) sukelti gaisrą.

Įsisaugokite visus įspėjimus ir instrukcijas, kad galėtumėte jas peržiūrėti ateityje.

Terminas „elektrinis įrankis“ pateiktuose įspėjimuose reiškia į maitinimo tinklą jungiamą (laidinį) elektrinį įrankį arba akumulatoriaus maitinamą (belaidį) elektrinį įrankį.

Darbo vietos sauga

1. **Pasirūpinkite, kad darbo vieta būtų švari ir gerai apšviesta.** Užgriozdintos ir tamsios vietos dažnai yra nelaimingų atsitikimų priežastimi.
2. **Nedirbkite elektriniais įrankiais sprogioje aplinkoje, pavyzdžiui, kai yra degių skysčių, dujų ar dulkių.** Elektriniai įrankiai skleidžia kibirkštis, kurios gali uždegti dulkes arba garus.

3. **Dirbdami elektriniu įrankiu neleiskite šalia būti vaikams ar kitiems žiūrovams.** Atitraukę dėmesį galite prarasti valdymą.

Elektros sauga

1. **Elektrinio įrankio kištukas privalo atitikti lizdą. Niekada niekaip nemodifikuokite kištuko. Nenaudokite jokių kištukų adapterių su žemintais elektriniais įrankiais.** Nemodifikuoti kištukai ir juos atitinkantys lizdai sumažins elektros smūgio riziką.
2. **Venkite liestis su žemintais paviršiais, pavyzdžiui, vamzdžiais, radiatoriais, viryklėmis ir šaldytuvais.** Elektros smūgio rizika padidėja, jei jūsų kūnas yra žemintas.
3. **Nelaikykite elektrinių įrankių lietuje ar drėgmėje.** Vanduo, pakliuvęs į elektrinį įrankį, padidina elektros smūgio riziką.
4. **Atsargiai elkitės su elektros laidu. Niekada nenaudokite laido elektriniam įrankiui nešti, jam ar kištukui traukti. Saugokite laidą nuo karščio, alyvos, aštrių kraštų ir judančių dalių.** Pažeistas arba supainiotas laidas padidina riziką gauti elektros smūgį.
5. **Kai elektrinį įrankį naudojate lauke, naudokite ilgutuvą, tinkamą naudoti lauke.** Tinkamo naudoti lauke laido naudojimas sumažina riziką gauti elektros smūgį.
6. **Jeigu elektrinį įrankį neišvengiamai reikia naudoti drėgnoje vietoje, naudokite likutinės elektros srovės saugiklį (RCD).** Naudojant RCD saugiklį mažėja elektros smūgio pavojus.
7. **Visuomet rekomenduojama jungti į maitinimo tinklą naudojant RCD saugiklį su nominaliu, 30 mA likutinės elektros srovės stiprumu.**
8. **Elektriniai įrankiai gali sukurti naudotojui nekenksmingus elektromagnetinius laukus (EML).** Tačiau, prieš naudodami šį elektrinį įrankį, širdies stimuliatorių ir kitų panašių medicinos įrenginių naudotojai turi susisiekti su savo įrenginio gamintoju ir (arba) gydytoju ir pasikonsultuoti.
9. **Nelieskite maitinimo kištuko drėgnomis rankomis.**
10. **Jei laidas pažeistas, kad nekiltų pavojus saugai, laidą turi pakeisti gamintojas arba jo atstovas.**

Asmeninė sauga

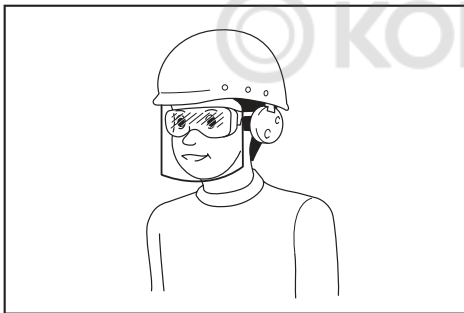
1. **Būkite budrūs, stebėkite, ką darote, ir vadovaukitės sveiku protu, kai naudojate elektrinį įrankį. Nenaudokite elektrinio įrankio, kol esate pavargę arba veikia vaistai, alkoholis ar narkotikai.** Dėl nedėmesingumo darbo su elektriniais įrankiais metu galima rimtai susižeisti.
2. **Naudokite asmenines saugos priemones. Visada naudokite akių apsaugos priemones.** Apsauginės priemonės, pavyzdžiui, respiratorius, apsauginiai batai neslidžiais padais, šalmas ar ausų apsaugos, naudojamos atitinkamomis sąlygomis, sumažina susižeidimo pavojų.
3. **Būkite atsargūs, kad netyčia neįjungtumėte įrankio. Prieš įjungdami įrankį į elektros tinklą ir (arba) įdėdami akumuliatorių bloką, paimdami ar nešdami įrankį visuomet patikrinkite, ar išjungtas jo jungiklis.** Jei nešate elektrinius įrankius laikydami pirštą ant jungiklio arba įjungiate elektrinius prietaisus su įjungtu jungikliu į tinklą, patys šaukiatės nelaimės.

4. Prieš įjungdami elektrinį įrankį, išimkite visus reguliavimo raktus arba sukimo raktą. Dėl sukamoje įrankio dalyje palikto rakto galima susižeisti.
5. Nepersitempkite. Visuomet tvirtai stovėkite ant žemės, išlaikykite pusiausvyrą. Tai leidžia geriau valdyti elektrinį įrankį netikėtose situacijose.
6. Tinkamai apsirenkite. Nedėvėkite palaidų drabužių arba papuošalų. Plaukus ir drabužius laikykite atokiau nuo judančių dalių. Judančios dalys gali įtraukti laisvus drabužius, papuošalus arba ilgus plaukus.
7. Jei pateikiami dulkių surinkimo ir pašalinimo priedai, įsitinkinkite, ar jie prijungti ir naudojami tinkamai. Surenkant dulkes gali sumažėti su dulkėmis susiję pavojai.
8. Neleiskite sau dėl žinių, kurių įgijote dažnai naudodami įrankius, tapti pernelyg savimi patenkintais ir nepaisyti įrankio saugos principų. Dėl aplaidumo vos per sekundės dalį galima sunkiai susižaloti.
9. Visada naudodami elektrinius įrankius užsidėkite apsauginius akinius, kad apsaugotumėte savo akis nuo sužalojimų. Akiniai turi atitikti ANSI Z87.1 reikalavimus JAV, EN 166 reikalavimus Europoje arba AS/NZS 1336 reikalavimus Australijoje / Naujojoje Zelandijoje. Australijoje / Naujojoje Zelandijoje taip pat teisiškai privaloma naudoti veido skydelį.
5. Prižiūrėkite elektrinius įrankius ir priedus. Patikrinkite, ar judančios dalys lygiuoja, nėra įstrigusios, ar dalys nėra sulūžusios ir nėra jokios kitos būsenos, galinčios turėti poveikio elektrinio įrankio veikimui. Jei elektrinis įrankis sugadintas, prieš jį naudodami, suremontuokite. Daugelis nelaimingų atsitikimų kyla dėl prastai prižiūrimų elektrinių įrankių.
6. Prižiūrėkite, kad pjovimo įrankiai būtų švarūs ir aštrūs. Tinkamai prižiūrimi pjovimo įrankiai su aštriais ašmenimis mažiau sukimba ir juos lengviau valdyti.
7. Elektrinį įrankį, jo priedus ir dalis naudokite pagal šiuos nurodymus, atsižvelgdami į darbo sąlygas ir atliekamą darbą. Naudojant elektrinį įrankį darbams, kuriems jis nėra skirtas, galima sukelti pavojų.
8. Rankenos ir paėmimo paviršiai turi būti sausi, švarūs, ant jų neturi būti alyvos ir tepalo. Jei rankenos ir paėmimo paviršiai bus slidūs, netikėtai atvejais negalėsite saugiai naudoti ir valdyti įrankį.
9. Naudodami įrankį nenaudokite medžiaginių darbo pirštinių, kurios gali įspainioti. Medžiaginėms darbinėms pirštinėms įspainiojus į judamasias dalis galima patirti sužalojimų.

Techninė priežiūra

1. Tegu jūsų elektrinio įrankio techninę priežiūrą atlieka kvalifikuotas remonto meistras, naudodamas tik identiškas atsargines dalis. Tai užtikrina, kad elektrinis įrankis liks saugus naudoti.
2. Laikytės instrukcijoje pateiktų nurodymų dėl tepimo ir priedų keitimo.

Įžambiai pjaunančių pjūklų saugos instrukcijos



Darbdavys privalo užtikrinti, kad įrankio operatoriai ir kiti šalia jo darbo vietos esantys asmenys naudotų tinkamas apsaugos priemones.

Elektrinio įrankio naudojimas ir priežiūra

1. Dirbdami elektriniu įrankiu nenaudokite jėgos. Naudokite tinkamą elektrinį įrankį pagal savo poreikius. Tinkamu elektriniu įrankiu, parinkę spartą, kuriai jis buvo sukurtas, darbą atliksite geriau ir saugiau.
2. Nenaudokite elektrinio įrankio, jei jungiklis neįjungia ar neišjungia įrankio. Visi įrankiai, kurių negalima valdyti jungikliu, yra pavojingi ir turi būti taisomi.
3. Atjunkite kištuką nuo elektros tinklo ir (arba) išimkite akumuliatorių (jei jį galima atjungti) iš elektrinio įrankio prieš reguliuodami, keisdami priedus arba laikydami elektrinius įrankius. Tokios atsargumo priemonės sumažina riziką atsitiktinai įjungti elektrinį įrankį.
4. Elektrinius įrankius laikykite vaikams nepasiekiamoje vietoje ir neleiskite žmonėms, nesusipažinusiems su šiuo elektriniu įrankiu ar jo instrukcija, juo naudotis. Neapmokytiems naudotojams naudojant elektrinius įrankius kyla pavojus.
1. Įžambiai pjaunantys pjūklai yra skirti medienos ar į medieną panašioms gaminiams pjauti, jų negalima naudoti su šlifuojamaisiais nupjovimo diskais geležinėms medžiagoms (sijoms, strypams, vinims ir pan.) pjauti. Dėl šlifuojant susidarančių dulkių judamosios dalys (pvz., apatinė apsauga) stringa. Per šlifuojamąjį pjovimą kylančios kibirkštys nudegins apatinę apsaugą, prapjovimo įdėklą ir kitas plastikines dalis.
2. Kai įmanoma, ruošinį įtvirtinkite spaustuvais. Jei ruošinį remiate ranka, ją laikykite mažiausiai 100 mm atstumu nuo bet kurios pjūklo disko pusės. Nenaudokite šio pjūklo pernelyg mažoms dalims, kurių nebūtų galima saugiai prispausti arba laikyti ranka, pjauti. Ranką padėjus pernelyg arti pjūklo disko, didėja rizika susižaloti jį palietus.
3. Ruošins turi būti stabilus ir prispaustas arba padėtas priešais aptvarą ir stalą. Jokiu būdu nestumkite ruošinio disko link ir nepjunkite rankomis. Nepritvirtinti ar judantys ruošiniai gali būti staiga išmesti ir jus sužaloti.
4. Spauskite pjūklą per ruošinį. Netraukite pjūklo per ruošinį. Norėdami pjauti, pakelkite pjūklo priekinę dalį ir nepjudami traukite ją virš ruošinio, paleiskite variklį, spauskite pjūklo priekinę dalį žemyn, o pjūklą – per ruošinį. Tikėtina, kad traukiant pjūklo diskas atsidsurs ruošinio viršuje ir per jėgą išmes pjūklo mechanizmą operatoriaus link.

5. **Niekada nedėkite rankos už numatytos pjovimo linijos pjūklo disko priekyje arba už jo.** Prilaikyti ruošinį sukryžiavus rankas (t. y. laikant ruošinį pjūklo disko dešinėje pusėje kairiąja ranka arba atvirkščiai) yra labai pavojinga.
 - **Pav.1**
 6. **Kai diskas sukasi, ranka nesiekite už aptvaro arčiau nei 100 mm atstumu nuo bet kurios pjūklo disko pusės, jei prireiktų pašalinti medienos gabalėlius ar dėl kitos priežasties.** Besisukantis pjūklo diskas gali būti arčiau jūsų rankos, nei manote, todėl galite sunkiai susižaloti.
 7. **Prieš pjaudami patikrinkite ruošinį. Jei ruošinys yra lenktas arba iškreiptas, suspauskite jį išlenktos dalies išorėje aptvaro lank. Visada įsitikinkite, kad tarp ruošinio, aptvaro ir stalo palei pjovimo liniją nėra tarpo.** Lenkti arba iškreipti ruošiniai gali susisukti arba pasislinkti, todėl pjaunant besisukantis pjūklo diskas gali užstrigti. Ruošinyje neturi būti vinių ar kitų pašalinių objektų.
 8. **Nenaudokite pjūklo, kol ant stalo yra pašalinių įrankių, medienos gabalėlių ir pan.** Nedidelės nuopjovos, palaidi medienos gabalėliai arba kiti objektai, palietę besisukančią diską, gali būti išmesti dideliu greičiu.
 9. **Vienu metu pjaukite tik vieną ruošinį.** Vieno ant kito sukrautų ruošinių nepavyks tinkamai prispausti arba suimti, todėl jie gali įstrigti diske arba pasislinkti pjaunant.
 10. **Prieš naudodami įsitikinkite, kad įžambiai pjaunantis pjūklas sumontuotas arba padėtas ant lygus ir tvirto darbinio paviršiaus.** Lygus ir tvirtas darbinis paviršius užtikrina įžambiai pjaunančio pjūklo stabilumą.
 11. **Planuokite savo darbą. Kaskart keisdami įstrižoją ir įžambiojo kampų nuostatas, įsitikinkite, kad reguliuojamas aptvaras tinkamai prilaikys ruošinį, nesilies su disku ar apsaugos sistema.** Nejudindami įrankio ir nepadėję ruošinio ant stalo, stumkite pjūklo diską per imituotą pjūvio vietą, kad įsitikintumėte, jog nekils pavojaus atsitrenkti ar nupjauti ruošinį.
 12. **Pasirūpinkite tinkama atrama, skirta ruošiniui, platesniam ar ilgesniam už stalo paviršių (tai gali būti stalo ilginiai, ožys malkoms pjauti ir kt.).** Už įžambiai pjaunančio pjūklo stalą ilgesni ar platesni ruošiniai gali nuvirsti, jei jų nepilaikysite tinkamai. Jei nupjaunama dalis ar ruošinys pakryptų, ji (-is) gali pakelti apatinę apsaugą ar būti numesta (-as) besisukančio disko.
 13. **Nenaudokite kito asmens stalui pailginti arba vietoje papildomos atramos.** Dėl nestabilių ruošinio atramos pjaunant diskas gali įstrigti, o ruošinys – pakrypti, todėl jūs arba pagalbiniinkas galite būti truketelėti besisukančio disko link.
 14. **Nupjaunama dalis negali būti įstrigusi arba kokia nors priemone spaudžiama besisukančio pjūklo disko link.** Jei darbą kas nors riboja (pvz., naudojami ilgio fiksatoriai), nupjaunama dalis gali būti plėšama priešais diską ir stipriai išmesta.
 15. **Visada naudokite spaustuvą arba tvirtinimo elementą, skirtą apvaliai medžiagai (pvz., strypams arba vamzdžiams) prilaikyti.** Pjaunami strypai linkę riedėti, todėl diskas gali įpjauti ir įtraukti ruošinį su jūsų ranka į diską.
 16. **Prieš paliesdami ruošinį, leiskite diskui pradėti sukintis visu greičiu.** Tai sumažins tikimybę, kad ruošinys bus išmestas.
 17. **Įstrigus ruošiniui ar diskui, nusukite įžambiai pjaunantį pjūklą.** Palaukite, kol visos judamosios dalys sustos, ištraukite kištuką iš maitinimo šaltinio ir (arba) išimkite akumuliatorių. Tada pašalinkite įstrigusią medžiagą. Pjaunant, kai ruošinys įstrigęs, galima sugadinti įžambiai pjaunantį pjūklą arba jo nesuvaldyti.
 18. **Baigę pjauti atleiskite jungiklį, laikykite pjūklo priekinę dalį pakreiptą žemyn ir laukite, kol diskas sustos sukintis, tik tada imkite nupjautą dalį.** Bandyti ranka pasiekti iš inercijos besisukančią diską yra pavojinga.
 19. **Naudokite tik tokio skersmens pjūklo diską, koks yra nurodytas ant įrankio arba naudojimo instrukcijoje.** Naudojant netinkamo dydžio pjūklo diską, šis gali būti netinkamai apsaugotas arba gali netinkamai veikti apsaugas, todėl galima sunkiai susižeisti.
 20. **Naudokite tik tuos pjūklo diskus, ant kurių nurodytas sukimosi greitis prilygsta arba viršija ant įrankio nurodytą sukimosi greitį.**
 21. **Nenaudokite pjūklo kitoms, nei nurodyta, medžiagoms pjauti.**
 22. **(Tik Europos šalims)**
Jei ketinate pjauti medieną arba panašią medžiagą, visada naudokite diskus, atitinkančius EN847-1.
- Papildomos instrukcijos**
1. **Pasirūpinkite, kad į dirbtuves nepatektų vaikų, užkabinkite spynas.**
 2. **Niekada nestovėkite ant įrankio.** Pjovimo įrankiu apvirtus arba jį netyčia palietus, galima sunkiai susižaloti.
 3. **Niekada nepalikite veikiančio įrankio be priežiūros.** Išjunkite maitinimą. Nepalikite įrankio, kol jis visiškai nesustojo.
 4. **Nenaudokite pjūklo, jei apsauginiai įtaisai nėra įtvirtinti.** Kaskart prieš naudodami patikrinkite, ar apsauginis disko įtaisas užsidaro tinkamai. Nenaudokite pjūklo, jei kas nors trukdo judėti apsauginiam disko įtaisui ir jis neužsidaro iš karto. Jokių būdu neužfiksuokite ir nepririškite apsauginio disko, jei įtaisas atdaras.
 5. **Žiūrėkite, kad rankos būtų kuo toliau nuo pjūklo disko.** Venkite sąlyčio su bet koku lėtėjančiu pjūklo disku. Jis vis dar gali sunkiai sužeisti.
 6. **Po kiekvieno skersinio pjūvio gražinkite atramą į galinę padėtį, kad sumažintumėte riziką susižeisti.**
 7. **Prieš nešdami įrankį, būtinai užtvirtinkite visas judamasias dalis.**
 8. **Stabdymo kaištis ar fiksavimo svirtelė, užfiksuojantis pjaustytuvo galvutę, skirti tik prietaisui perkelti ir saugoti, o ne pjauti.**
 9. **Prieš naudodami patikrinkite, ar pjūklo diskas nėra įtrūkęs arba pažeistas.** Nedelsdami pakeiskite įtrūkusį arba apgadintą pjūklo diską. Ant pjūklo disko esantys sukietėję sakai arba derva lėtina pjovimą ir didina atatrunkos pavojų. Kai valote pjūklo diską, pirmiausia išimkite jį iš įrankio, tada nuvalykite sakų ir dervos šalinimo priemone, karštu vandeniu arba žibalu. Pjūklo diskui valyti niekada nenaudokite benzino.

10. Atliekant slenkamąjį pjūvį, gali įvykti ATATRANKA. ATATRANKA įvyksta, kai pjūklo diskas pajauant įstringa ruošinyje ir greitai pajuda operatoriaus link. Galima nesuvaldyti įrankio ir sunkiai susižaloti. Jei pjūklo diskas pajauant pradėjo strigti, nebepjunkite ir nedelsdami atleiskite jungiklį.
11. Naudokite tik šiam įrankiui skirtas junges.
12. Saugokitės, kad nepažeistumėte veleno, jungių (ypač montavimo paviršiaus) arba varžto. Pažeidus šias dalis, pjūklo diskas gali lūžti.
13. Įsitinkite, ar sukiojamas pagrindas gerai pritvirtintas ir nejudės dirbant. Pagrindė esančias skylės naudokite pjūklui ant stabilios darbinės platformos arba suoliuko pritvirtinti. NIEKADA nenaudokite įrankio, jei operatoriaus padėtis nepatogi.
14. Prieš įjungdami jungiklį įsitinkite, ar ašies fiksatorius neužfiksuotas.
15. Patikrinkite, ar pjūklo diskas noliečia sukiojamo pagrindo apačios.
16. Tvirtai laikykite rankenėlę. Saugokitės, nes pradėjus ar baigiant dirbti pjūklas truputį pajuda aukštyn arba žemyn.
17. Prieš įjungdami jungiklį patikrinkite, ar pjūklo diskas noliečia ruošinio.
18. Prieš naudodami įrankį su faktiniu ruošiniu, leiskite jam šiek tiek pasisukti. Atkreipkite dėmesį į vibraciją arba klībėjimą – gali būti, kad pjūklo diskas netinkamai sumontuotas arba blogai subalansuotas.
19. Pastebėję ką nors neįprasto, tučtuojau nutraukite darbą.
20. Nemėginkite užfiksuoti gaiduko į padėtį „ON“ (įjungta).
21. Visada naudokite šioje instrukcijoje rekomenduojamus priedus. Naudojant netinkamus priedus, pvz., šlifavimo diskus, galima susižeisti.
22. Kai kuriose medžiagose gali būti nuodingų chemikalų. Saugokitės, kad neįkvėptumėte dulkių ir nesiliestumėte oda. Laikykites medžiagų tiekėjo saugos nurodymų.

Papildomos saugos taisyklės lempos naudojimui

1. Nežiūrėkite tiesiai į šviesą arba šviesos šaltinį.

SAUGOKITE ŠIAS INSTRUKCIJAS.

⚠️ ĮSPĖJIMAS: NELEISKITE, kad patogumas ir gaminio pažinimas (įgyjamas pakartotinai naudojant) susilpnintų griežtą saugos taisyklių, taikytinų šiam gaminiui, laikymąsi. Dėl NETINKAMO NAUDOJIMO arba saugos taisyklių, kurios pateiktos šioje instrukcijoje, nesilaikymo galima rimtai susižeisti.

DALIŲ APRAŠYMAS

► Pav.2

1	Reguliavimo varžtas (apatinei ribinei padėčiai)	2	Fiksavimo rankena	3	Dulkių maišelis	4	Sparnuotoji veržlė (atramai slankioti)
5	Rodyklė (įstrižajam kampui)	6	Įstrižojo kampo skalė	7	Slankiojimo strypas	8	Vertikalus spaustuvas
9	Slankiusis aptvaras	10	0° kampo reguliavimo varžtas (įstrižajam kampui)	11	Kreipiamasis aptvaras	12	Pagalbinis pagrindas
13	Sukiojamas pagrindas	14	Ižambiojo kampo skalė	15	Rodyklė (įžambajam kampui)	16	Prapjovimo plokštė
17	Reguliavimo varžtas (sukiojamam pagrindui)	18	Fiksuojamoji svirtis (sukiojamam pagrindui)	19	Rankena (sukiojamam pagrindui)	20	Dulkių surinkimo apsaugas
21	Disko apsaugas	22	Lempa	23	Valdymo rankena	24	Gaidukas
25	Kiaurymė pakabinamajai spynei	26	Atlaisvinimo mygtukas	27	Nešimo rankena	-	-

► Pav.3

1	Lempos jungiklis	2	Ašies fiksatorius	3	Reguliavimo varžtas (didž. pjovimo pajėgumui)	4	Fiksavimo smaigas (atramai pakelti)
5	Nustatymo plokštelė	6	Šešiabriaunis raktas	7	45° kampo reguliavimo varžtas (įstrižajam kampui)	8	Svirtis (įstrižajam kampui)
9	Atleidimo mygtukas (įstrižajam kampui)	-	-	-	-	-	-

SUMONTAVIMAS

Stiklių sumontavimas

▲ISPĖJIMAS: Užtikrinkite, kad įrankis nejudėtų ant atraminio paviršiaus. Pjovimo metu kampiniam pjūklui pajudėjus ant atraminio paviršiaus, galima prarasti kontrolę ir sunkiai susižeisti.

1. Įsukdami varžtus, pritvirtinkite pagrindą prie lygaus ir stabilaus paviršiaus. Tai neleidžia įrankiui pasvirti ir sukelti sužeidimo pavojų.

► **Pav.4:** 1. Varžtas 2. Montavimo skyklė

2. Sukite reguliavimo varžtą pagal laikrodžio rodyklę arba prieš ją, kad jis prisiliestų prie grindų paviršiaus ir įrankis stovėtų stabiliai.

► **Pav.5:** 1. Reguliavimo varžtas

VEIKIMO APRAŠYMAS

▲ISPĖJIMAS: Prieš pradėdami reguliuoti arba tikrinti įrankio veikimą, būtina jį išjunkite ir atjunkite nuo maitinimo tinklo. Neišjungę įrankio ir neatjungę jo nuo maitinimo tinklo, galite sunkiai susižeisti, jei įrankis atsitiktinai įsijungtų.

Rankenėlės fiksatorius

▲PERSPĖJIMAS: Atleisdami fiksavimo smaigą, visada laikykite už rankenos. Antraip rankena pakils į viršų ir gali sužaloti.

Prieš gabenant įrankį, jo rankena fiksavimo smaigu turi būti užfiksuota apačioje. Norėdami atrakinti rankeną, patraukite fiksavimo smaigą, šiek tiek nuleisdami rankeną.

► **Pav.6:** 1. Fiksavimo smaigas

Slankusis fiksatorius

Kad atrama galėtų slankioti, atlaisvinkite rankenos sparnuotąją veržlę. Norėdami užrakinti atramos slankiojimo judesį, nustumkite rankeną į pageidaujimą vietą, tada gerai priveržkite sparnuotąją veržlę.

► **Pav.7:** 1. Sparnuotoji veržlė 2. Rankena

Pjovimo disko apsauga

▲ISPĖJIMAS: Niekada nedeaktyvuokite ir nenuimkite pjūklo disko apsaugo arba prie jo pritvirtintos spyruoklės. Užblokavus apsaugą, dirbant galima sunkiai susižeisti neuždengtu diskiniu pjūklo disku.

▲ISPĖJIMAS: Niekada nenaudokite įrankio, jei disko apsaugas arba spyruoklė yra pažeisti, sugadinti arba nuimti. Naudojant įrankį su pažeistu arba nuimtu apsaugu, galima sunkiai susižeisti.

▲PERSPĖJIMAS: Kad galėtumėte saugiai dirbti, visada pasirūpinkite, kad disko apsauga būtų tinkamos darbu būklės. Jei pastebėjote kokių nors disko apsaugos netinkamo veikimo požymių, nedelsdami nutraukite darbą. Patikrinkite spyruoklę, ar ji gali sugrąžinti apsaugą į pradinę padėtį.

Nuleidus rankenėlę, disko apsauga pakyla automatiškai. Apsaugoje įrengta spyruoklė, kuri, baigus pjauti ir pakėlus rankenėlę, sugrąžina apsaugą į pradinę padėtį.

► **Pav.8:** 1. Pjovimo disko apsauga

Valymas

Jei permatomas disko apsaugas susitepa arba prie permatomo disko apsaugo prilimpa pjuvenų ir diskinio pjūklo disko ir (arba) ruošinio negalima lengvai įžiūrėti, atjunkite įrankį ir kruopščiai nuvalykite apsaugą drėgna šluoste. Plastikinio apsaugo negalima valyti tirpikliais arba naftos pagrindu pagamintais valikliais, nes šios medžiagos jį gali pažeisti.

Vykdykite papunkčiui išdėstytas instrukcijas, nurodancias, kaip pasiruošti valymui.

1. Užtikrinkite, kad įrankis būtų išjungtas ir atjungtas nuo maitinimo tinklo.

2. Laikydami už centrinio gaubto, tiekiamu šešiakampių veržliarakčių sukite varžtą šešiakampe galvute pagal laikrodžio rodyklę.

3. Pakelkite disko apsaugą ir atidenkite centrinį gaubtą.

4. Baigę valyti, centrinį gaubtą gražinkite į jo vietą ir atvirkštine tvarka atlikdami prieš tai nurodytus veiksmus priveržkite varžtą šešiakampe galvute.

► **Pav.9:** 1. Šešiabriaunis veržliaraktis

2. Šešiakampės lizdinės galvutės varžtas 3. Centrinis gaubtas 4. Pjovimo disko apsauga

▲ISPĖJIMAS: Nenuimkite pjovimo disko apsauginį įtaisą laikinios spyruoklės. Jeigu laikui bėgant arba dėl ultravioletinių spindulių poveikio apsauga būtų sugadinta, susisieki su „Makita“ techninės priežiūros tarnyba dėl pakeitimo. **NEIŠJUNKITE IR NENUIMKITE APSAUGOS.**

Prapjovimo plokščių nustatymas

Šio įrankio sukiojamame pagrinde įrengtos prapjovimo plokštės, kurios sumažina iki minimumo pjūvio išėjimo pusės plėšimą. Prapjovimo plokštės gamykloje nustatomos taip, kad diskinio pjūklo diskas neliestų prapjovimo plokščių. Prieš naudodami sureguliuokite prapjovimo plokštės:

1. Užtikrinkite, kad įrankis būtų atjungtas nuo elektros tinklo. Tuomet atlaisvinkite visus varžtus (po tris iš kairės ir dešinės pusės), laikinčius prapjovimo plokštės.

► **Pav.10:** 1. Prapjovimo plokštė 2. Varžtas

2. Priveržkite prapjovimo plokštės tiek, kad jas galima būtų lengvai pasukti rankomis.

3. Visiškai nuleiskite rankeną ir užfiksuokite ją nuleidimo padėtyje fiksavimo smaigu.

4. Atlaisvinkite rankenos sparnuotąją veržlę, kuri fiksuoja atramos slinkimą.

Patraukite atramą iki galo į save.

► **Pav.11:** 1. Sparnuotoji veržlė 2. Rankena

5. Nustatykite prapjovimo plokštes taip, kad jos būtų arti pjūklo disko dantų šonų.

► **Pav.12**

► **Pav.13:** 1. Diskinio pjūklo pjovimo diskas 2. Disko dantys 3. Prapjovimo plokštė 4. Kairysis įstrižas pjūvis 5. Tiesusis pjūvis

6. Užsukite priekinius varžtus (tačiau tvirtai neužveržkite jų).

7. Slinkite atramą, kol ji atsidurs tarp prapjovimo plokščių priekinio galo ir kreipiamųjų aptvarų. Nustatykite prapjovimo plokštes taip, kad jos būtų arti pjūklo disko dantų šonų.

8. Prisukite centrinius varžtus (bet tvirtai neužveržkite jų).

9. Nustumkite atramą iki galo link kreipiamųjų aptvarų ir nustatykite prapjovimo plokštes taip, kad jos būtų arti pjūklo disko dantų šonų.

10. Užsukite galinius varžtus (bet tvirtai neužveržkite jų).

11. Atleiskite rankenos užrakinimo fiksavimo smaigą ir pakelkite rankeną. Tada tvirtai užveržkite visus varžtus.

PASTABA: Nustatę įstrižą kampą, būtina patikrinkite, ar tinkamai nustatytos prapjovimo plokštės. Tinkamai nustatius prapjovimo plokštes, ruošinys bus tinkamai atremtas ir sumažės galimybė išplėsti ruošinį.

Maksimalaus pjovimo pajėgumo palaikymas

Šis įrankis gamyloje nustatytas didžiausiam pjovimo pajėgumui naudojant 216 mm diskinio pjūklo pjovimo diską. Montuodami naują diskinio pjūklo diską, visada patikrinkite apatinę ribinę diskinio pjūklo disko padėtį ir, jeigu reikia, pareguliuokite ją tokiu būdu:

1. Atjunkite įrankį nuo maitinimo tinklo. Tada iki galo nustumkite atramą link kreipiamojo aptvaro ir visiškai nuleiskite rankeną.

2. Šešiabriauniu raktu (atsuktuvo puse) sukite reguliavimo varžtą, kol diskinio pjūklo diskas atsidurs šiek tiek po kreipiamojo aptvaro skerspjūviu ir sukiojamo pagrindo viršutiniu paviršiumi.

► **Pav.14:** 1. Reguliavimo varžtas 2. Kreipiamasis aptvaras

► **Pav.15**

3. Sukite diskinio pjūklo diską ranka, laikydami iki galo nuspaustą rankeną, kad patikrintumėte, ar diskinio pjūklo diskas neličia jokios apatiniam pagrinde esančios dalies. Jei reikia, iš naujo sureguliuokite didžiausią pjovimo pajėgumą.

ĮSPĖJIMAS: Sumontavę naują diskinio pjūklo diską ir atjungę įrankį nuo maitinimo tinklo, visada patikrinkite, ar visiškai nuleidus rankeną, diskinio pjūklo diskas neličia jokios apatiniam pagrinde esančios dalies. Jei diskinio pjūklo diskas ličia pagrindą, kyla atatrunkos, galinčios sukelti sunkių sužalojimų, pavojus.

► **Pav.16**

Fiksavimo rankena

Apatinę ribinę pjūklo disko padėtį galima lengvai nustatyti, naudojant fiksavimo rankeną. Norėdami nustatyti apatinę ribą, sukite fiksavimo rankeną rodyklės kryptimi, kaip parodyta paveikslėlyje. Sukite reguliavimo varžtą taip, kad, visiškai nuleidus rankeną, pjūklo diskas sustotų norimoje padėtyje.

► **Pav.17:** 1. Fiksavimo rankena 2. Reguliavimo varžtas

Įžambaus kampo nustatymas

ĮSPĖJIMAS: Pakeitę įžambųjį kampą, visuomet užtvirtinkite sukiojamą pagrindą, tvirtai užverždami rankeną.

PASTABA: Sukant sukiojamą pagrindą, rankenėlė turi būti iki galo pakelta.

Norėdami atrakinti sukiojamą pagrindą, pasukite rankeną prieš laikrodžio rodyklę. Kad būtų galima judinti sukiojamą pagrindą, sukite rankeną, tuo pačiu metu laikydami pakelę fiksuojamąją svirtį. Sulygiuokite rodyklę pagal pageidaujamą kampą įžambiojo kampo skalėje, tada užveržkite rankeną.

► **Pav.18:** 1. Fiksuojamoji svirtis 2. Rankena 3. Rodyklė

Tikslaus kampo fiksavimo funkcija

Šiame kampiniame pjūkle naudojama tikslaus kampo fiksavimo funkcija. Galite greitai nustatyti 0°, 15°, 22,5°, 31,6° ir 45° įžambuosius kampus dešinėje ir (arba) kairėje. Norėdami naudoti šią funkciją, stumkite sukiojamą pagrindą kuo arčiau tikslaus kampo fiksavimo, laikydami pakeltą fiksuojamąją svirtį. Tada atleiskite fiksuojamąją svirtį ir stumkite sukiojamą pagrindą iki norimo teigiamo užfiksavimo kampo, kol jis užsifiksuos.

Įstrižo kampo nustatymas

ĮSPĖJIMAS: Keisdami įstrižąjį kampą, visada užtvirtinkite rankeną, užverždami svirtį pagal laikrodžio rodyklę.

PASTABA: Prieš reguliuodami įstrižąjį kampą, visada nuimkite vertikalų spaustuvą.

PASTABA: Pakreipiant diskinio pjūklo diską, atrama turi būti iki galo pakelta.

PASTABA: Keičiant įstrižuosius kampus, tinkamai perstatykite prapjovimo plokštes, kaip paaiškinta skyriuje „Prapjovimo plokščių padėties nustatymas“.

PASTABA: Neužveržkite svirtelės per stipriai. Kitaip gali sutrikti įstrižojo kampo fiksavimo mechanizmo veikimas.

Diskinio pjūklo disko pakreipimas kairėn 0–45° kampu

1. Pasukite svirtį prieš laikrodžio rodyklę.
 2. Laikykite rankeną ir pakreipkite atramą į kairę.
 3. Sulygiuokite rodyklę su norimu kampu ant įstrižojo kampo skalės.
 4. Norėdami užfiksuoti rankeną, veržkite svirtį pagal laikrodžio rodyklę.
- **Pav.19:** 1. Svirtis 2. Rankena 3. Rodyklė 4. Įstrižojo kampo skalė

Diskinio pjūklo disko pakreipimas didesniu nei 0–45° kampu kairėn

1. Pasukite svirtį prieš laikrodžio rodyklę.
2. Laikykite rankeną ir nustatykite atramą 0° kampu dešinėje 2° pusėje arba 45° kampu kairėje 47° pusėje.
3. Šiek tiek pakreipkite atramą į priešingą pusę.
4. Paspauskite atleidimo mygtuką.
5. Pakreipkite atramą į norimą padėtį už 0–45° intervalo ribų.
6. Norėdami užfiksuoti rankeną, veržkite svirtį pagal laikrodžio rodyklę.

Atramos pakreipimas dešinėn 2° kampu

► Pav.20: 1. Svirtis 2. Rankena 3. Atleidimo mygtukas

Atramos pakreipimas kairėn 47° kampu

► Pav.21: 1. Svirtis 2. Rankena 3. Atleidimo mygtukas

Jungiklio veikimas

⚠ JSPĖJIMAS: Prieš jungdami įrenginį visada patikrinkite, ar gaidukas gerai įsijungia, o atleistas grįžta į padėtį „OFF“ (išjungta). Negalima stipriai spausti gaiduko, nenuspaudus atlaisvinimo mygtuko. Taip galima sugadinti jungiklį. Naudojant įrankį, kurio gaidukas netinkamai veikia, galima jo nesuvaldyti ir sunkiai susižaloti.

⚠ JSPĖJIMAS: NIEKADA nenaudokite įrankio, jei jo svirtinis jungiklis veikia netinkamai. Bet koks įrankis, kurio jungiklis neveikia, yra NEPAPRASTAI PAVOJINGAS; prieš toliau naudodami tokį įrankį, būtina jį pataisykite, kitaip galite sunkiai susižeisti.

⚠ JSPĖJIMAS: NIEKADA neužklijuokite atlaisvinimo mygtuko lipnia juostele ir nepanaikinkite jo funkcijos kitomis priemonėmis. Jungiklis su užblokuotu atlaisvinimo mygtuku gali netyčia įjungti įrankį ir operatorius gali būti sunkiai sužeistas.

⚠ JSPĖJIMAS: NIEKADA nenaudokite įrankio, jei jis veikia nuspaudus tik gaiduką, tačiau nenuspaudus atlaisvinimo mygtuko. Jungiklis, kurį reikia taisyti, gali netyčia įjungti įrankį ir operatorius gali būti sunkiai sužeistas. PRIEŠ pradėdami vėl naudoti įrankį, atiduokite jį suremontuoti į „Makita“ techninės priežiūros centrą.

Atlaisvinimo mygtukas neleidžia atsitiktinai paspausti gaiduko. Jei norite įjungti įrankį, paspauskite fiksavimo svirtelę, tada patraukite gaiduką. Atleiskite gaiduką, jeigu norite sustabdyti įrankį.

Gaiduke yra anga pakabinamai spynai, skirtai įrankiui užrakinti.

► Pav.22: 1. Gaidukas 2. Atlaisvinimo mygtukas
3. Pakabinamos spynos anga

⚠ JSPĖJIMAS: Nenaudokite fiksatoriaus su jungiamuoju galu arba kabeliu, jei jo skersmuo yra mažesnis nei 6,35 mm. Mažesnis jungiamasis galas arba kabelis gali netinkamai užfiksuoti įrankį į išjungimo padėtį, todėl netyčia įjungus įrankį galima sunkiai susižeisti.

Pjovimo linijos parodymas naudojant LED lempos šviesą

⚠ PERSPĖJIMAS: Lemputė nėra atspari lietuvi. Neplaukite lempučių vandenyje ir nenaudokite jos lietingu oru arba drėgnoje vietoje. Nesilaikydami nurodymų, galite sukelti elektros smūgį ir dūmus.

⚠ PERSPĖJIMAS: Nelieskite lempos leščių, nes uždegta arba ką tik išjungta lempa yra labai įkaitusi. Ji gali sukelti nudegimus.

⚠ PERSPĖJIMAS: Nespauskite ir netrankykite lempos, nes galite ją sugadinti arba sumažinti jos eksploatacijos trukmę.

⚠ PERSPĖJIMAS: Nežiūrėkite tiesiai į šviesą arba šviesos šaltinį.

Šviesos diodų lempučių apšviečia diskinio pjūklo diską, o pjūklo disko šešėlis krenta ant ruošinio ir veikia kaip pjaustymo linijos indikatorius, kurio nereikia kalibruoti. Norėdami įjungti apšvietimą, paspauskite lempos jungiklį. Atsiranda linija, kurioje pjūklo diskas lies ruošinio paviršių. Pjūklo disko leidžiantis, linija tampa ryškesnė.

► Pav.23: 1. Lempos jungiklis 2. Lemputė 3. Pjovimo linija

Indikatorius padeda perpjauti jau egzistuojančią, pietuku nubrėžtą pjovimo liniją, esančią ant ruošinio.

1. Norėdami, kad ant ruošinio metamas pjūklo disko šešėlis būtų ryškesnis, laikykite rankeną ir leiskite diskinio pjūklo diską žemyn.
2. Sulygiuokite jau esančią ant ruošinio pjovimo liniją su pjovimo linija, kurią rodo atsiradęs šešėlis.
3. Jei reikia, suderinkite įžambiuosius kampus ir įstrižuosius kampus.

PASTABA: Panaudoję būtinai išjunkite lempos jungiklį. Kitaip lempa liks karšta.

SURINKIMAS

⚠ JSPĖJIMAS: Prieš dirbdami įrankiu, visada jį išjunkite ir atjunkite maitinimą. Neišjungus įrankio ir neatjungus jo nuo maitinimo tinklo, galima sunkiai susižeisti.

Šešiabriaunio veržliarakčio laikymas

Nenaudojamą šešiabriaunį veržliarakčių laikykite taip, kaip parodyta paveikslėlyje, kad nepamestumėte.

► Pav.24: 1. Šešiakampis veržliaraktis

Diskinio pjūklo disko montavimas arba nuėmimas

▲JSPĖJIMAS: Prieš nuimdami arba montuodami diskinio pjūklo diską, visada užtikrinkite, kad įrankis būtų išjungtas ir atjungtas nuo elektros tinklo. Netyčia įjungus įrankį, galima sunkiai susižeisti.

▲JSPĖJIMAS: Norėdami nuimti ir montuoti diskinio pjūklo diską, naudokite tik „Makita“ teikiama veržliaraktį. Jeigu nenaudosite veržliarakčio, galite perveržti arba nepakankamai priveržti šešiakampių lizdinių galvutėjų varžtą; dėl to galite būti sunkiai sužaloti.

▲JSPĖJIMAS: Niekada nenaudokite dalių arba nekeiskite dalimis, kurios nebuvo pristatytos su šiuo įrankiu. Naudojant šias dalis galima sunkiai susižaloti.

▲JSPĖJIMAS: Sumontavę diskinio pjūklo diską, patikrinkite, ar jis saugiai įdėtas. Atsilaisvinęs diskinio pjūklo disko priedas gali sunkiai sužaloti.

Bendrieji paruošiamieji darbai diskinio pjūklo diskui įrengti arba nuimti

1. Atrakinkite atramą, ištraukdami fiksavimo smaigą, tada pakelkite ją.
2. Šešiabriauniu raktu atlaisvinkite centrinį gaubtą laikantį šešiakampės lizdinės galvutės varžtą. Tada pakelkite disko apsaugą ir centrinį gaubtą.
▶ **Pav.25:** 1. Šešiakampis veržliaraktis
2. Šešiakampės lizdinės galvutės varžtas
3. Centrinis gaubtas 4. Pjovimo disko apsauga

Diskinio pjūklo pjovimo disko montavimas

▲PERSPĖJIMAS: Montuodami diskinio pjūklo pjovimo diską, įsitikinkite, kad ant disko esančios rodyklės kryptis atitinka kryptį rodyklės, esančios ant disko gaubto. Nesilaikydami šių nurodymų, galite susižeisti ir sugadinti įrenginį ir (arba) ruošinį.

1. Atlikite skirsnyje „Bendrieji paruošiamieji darbai diskinio pjūklo diskui įrengti arba nuimti“ aprašytus veiksmus.
2. Norėdami užfiksuoti ašį, įspauskite ašies fiksatorių, šešiakampiu veržliarakčiu atlaisvinkite šešiakampės lizdinės galvutės varžtą, sukdami jį pagal laikrodžio rodyklę. Ištraukite šešiakampės lizdinės galvutės varžtą, nuimkite išorinę jungę ir diskinio pjūklo diską.
▶ **Pav.26:** 1. Šešiakampės lizdinės galvutės varžtas (su kairiuoju sriegiu) 2. Išorinė jungė 3. Ašies fiksatorius
3. kruopščiai pritvirtinkite diskinio pjūklo diską prie vidinės jungės; įsitikinkite, kad ant diskinio pjūklo disko pažymėtos rodyklės kryptis sutampa su ant disko gaubto pažymėtos rodyklės kryptimi.
▶ **Pav.27:** 1. Rodyklė

4. Sumontuokite išorinę jungę ir šešiakampės lizdinės galvutės varžtą. Šešiabriauniu raktu pasukite šešiakampės lizdinės galvutės varžtą (su kairiuoju sriegiu) prieš laikrodžio rodyklę, spausdami ašies fiksatorių.

- ▶ **Pav.28:** 1. Šešiakampių lizdinių galvutėjų varžtas (kairysis) 2. Išorinė jungė 3. Diskinio pjūklo diskas 4. Žiedas 5. Vidinė jungė 6. Velenas
- ▶ **Pav.29:** 1. Šešiakampės lizdinės galvutės varžtas (su kairiuoju sriegiu) 2. Išorinė jungė 3. Ašies fiksatorius

5. Gražinkite pjūklo disko apsauginį įtaisą ir centrinį gaubtą į jų pradinę padėtį. Tuomet užveržkite centrinio gaubto šešiakampės lizdinės galvutės varžtą.

Nuleiskite atramą ir patikrinkite, ar disko apsaugas juda tinkamai.

- ▶ **Pav.30:** 1. Šešiakampis veržliaraktis
2. Šešiakampės lizdinės galvutės varžtas
3. Centrinis gaubtas 4. Pjovimo disko apsauga

Diskinio pjūklo pjovimo disko nuėmimas

1. Atlikite skirsnyje „Bendrieji paruošiamieji darbai diskinio pjūklo diskui įrengti arba nuimti“ aprašytus veiksmus.
2. Paspauskite ašies fiksatorių, kad užfiksuotumėte veleną. Šešiabriauniu raktu pagal laikrodžio rodyklę atlaisvinkite šešiakampės lizdinės galvutės varžtą. Ištraukite šešiakampės lizdinės galvutės varžtą, nuimkite išorinę jungę ir diskinio pjūklo diską.
▶ **Pav.31:** 1. Šešiakampės lizdinės galvutės varžtas (su kairiuoju sriegiu) 2. Išorinė jungė 3. Ašies fiksatorius
3. Jei vidinė jungė nuimta, sumontuokite ją ant veleno taip, kad jo tvirtinimo prie disko dalis būtų nukreipta į diskinio pjūklo diską. Jei jungę sumontuosite netinkamai, ji trinsis į įrenginį.
▶ **Pav.32:** 1. Šešiakampių lizdinių galvutėjų varžtas (kairysis) 2. Išorinė jungė 3. Diskinio pjūklo diskas 4. Žiedas 5. Vidinė jungė 6. Velenas

PASTABA: Būkite atsargūs, kad nepamestumėte nuimtos išorinės jungės ir šešiakampės lizdinės galvutės varžo.

Dulkių siurblio prijungimas

Kai norite švariai nupjauti, prijunkite „Makita“ vakuuminį valymo įrenginį.

PASTABA: Atsižvelgiant į vakuuminį valymo įrenginį ir naudojamos žarnos tipą, dulkių surinkimo apsaugas gali užblokuoti dulkių surinkimo angą, todėl gali būti neįmanoma rinkti dulkes. Tokiu atveju sumažinkite vakuuminio valymo įrenginio siurbimo galią.

- ▶ **Pav.33:** 1. Dulkių surinkimo apsaugas

Dulkių surinkimo maišelis

▲PERSPĖJIMAS: Kai pjaunate, visada pritvirtinkite dulkių maišelį arba prijunkite vakuuminį valymo įrenginį, kad apsisaugotumėte nuo su dulėmis susijusių pavojų.

Naudojant dulkių maišelį, dirbama švariai, o dulkes lengva surinkti. Prijunkite dulkių maišelį prie dulkių ištraukimo antgalio.

► **Pav.34:** 1. Dulkių maišelis 2. Dulkių ištraukimo antgalis

Kai dulkių maišelis prisipildo maždaug iki pusės, jį nuimkite nuo įrankio ir nutraukite tvirtinimo elementą. Išpilkite maišelio turinį, lengvai jį patapšnodami, kad nukristų visos prie vidinių sienelių prilipusios dalelės, galinčios kliudyti toliau rinkti dulkes.

► **Pav.35:** 1. Tvirtinimo elementas

Ruošinio pritvirtinimas

▲JSPĖJIMAS: Nepaprastai svarbu visuomet tinkamai įtvirtinti ruošinį, naudojant tinkamos rūšies spaustuvus. Nesilaikant šio nurodymo, galima sunkiai susižeisti ir sugadinti įrankį ir (arba) ruošinį.

▲JSPĖJIMAS: Baigę pjauti neatkelkite pjūklo disko, kol jis visiškai nestovs. Atkėlus besisukantį pjūklo diską, galima sunkiai susižeisti ir sugadinti ruošinį.

▲JSPĖJIMAS: Pjaunant ruošinį, kuris yra ilgesnis už kampinio pjūklo atraminį pagrindą, medžiaga turi būti paremta per visą ilgį už atraminio pagrindo ir tame pačiame aukštyje, kad būtų išlaikytas medžiagos lygumas. Tinkama ruošinio atrama padės išvengti disko suspaudimo ruošinyje ir galimos atatrankos, kuri gali sukelti sunkių sužeidimų. Norėdami pritvirtinti ruošinį, nepasikliaukite vien tik vertikaliu spaustuvu. Plonas ruošinys gali nulinkti. Norėdami išvengti pjūklo disko sužnybimo ir galimos ATATRANKOS, paremkite ruošinį per visą jo ilgį.

► **Pav.36:** 1. Atrama 2. Sukiojamas pagrindas

Kreipiamieji aptvarai

▲JSPĖJIMAS: Prieš pradėdami dirbti įrankiu, užtikrinkite, kad slankusis aptvaras būtų tvirtai pritvirtintas suveržimo varžtu.

▲JSPĖJIMAS: Prieš pjaudami įstrižai įsitinkite, kad jokia įrankio dalis, ypač – diskinio pjūklo diskas, nesiliečia prie aptvarų, kai visiškai nuleidžiate ir pakeliate rankeną bet kurioje padėtyje ir kai atrama juda per visą eigos diapazoną. Jei įrankis arba diskinio pjūklo diskas lies aptvarą, gali įvykti atatranka arba ruošinys gali netikėtai pasislinkti ir sunkiai sužaloti operatorių.

Šiame įrankyje įrengtas slankusis aptvaras. Prieš atlikdami įstrižuosius kairinius pjūvius, atlaisvinkite suveržimo varžtą ir pastumkite slankųjį aptvarą taip, kad jis netrukdytų judėti atramai. Užfiksuokite slankųjį aptvarą, priverždami suveržimo varžtą.

► **Pav.37:** 1. Slankusis aptvaras 2. Kreipiamasis aptvaras 3. Suveržimo varžtas

Vertikalus spaustuvas

▲JSPĖJIMAS: Visų pjovimo darbų metu ruošinys privalo būti tvirtai spaustuvais pritvirtintas prie sukiojamo pagrindo ir atremtas į kreipiamąjį aptvarą. Jeigu ruošinys nėra tinkamai pritvirtintas prie aptvaro, pjaunant jis gali pasislinkti ir galbūt sugadinti pjūklo diską, o šis – nusviesti ruošinį, todėl galima nesuvaldyti įrankio ir sunkiai susižeisti.

Vertikalų spaustuvą galima montuoti kiurymėse kairėje pagrindo pusėje, dešinėje pagrindo pusėje arba kairėje pagalbinio pagrindo pusėje.

Prispauskite ruošinį prie kreiptuvo ir pasukite pagrindą. Nustatykite ruošinį į norimą pjovimo padėtį ir užtvirtinkite jį, tvirtai užverždami spaustuvo rankeną.

Užtikrinkite, kad visiškai nuleidus rankeną jokia įrankio dalis nesiliestų prie vertikalaus spaustuvo. Jeigu kokia nors dalis liečia vertikalią spaustuvą, pakeiskite vertikalaus spaustuvo padėtį.

► **Pav.38:** 1. Kiurymė 2. Spaustuvo rankena

Pagalbinis pagrindas

▲JSPĖJIMAS: Norėdami, kad pjūvis būtų tikslus, ir siekdami apsisaugoti nuo pavojingo įrankio kontrolės praradimo, ilgus ruošinius visada atremkite, kad jie būtų horizontalūs sukiojamo pagrindo viršutiniam paviršiui. Tinkama ruošinio atrama padės išvengti disko suspaudimo ruošinyje ir galimos atatrankos, galinčios lemti sunkius sužeidimus.

▲JSPĖJIMAS: Prieš pjaudami, visada įsitinkite, kad pagalbiniai pagrindai yra priveržti sparnuotosiomis varžlėmis.

Abiejose įrankio pusėse yra pagalbiniai pagrindai. Jie reikalingi, kad ilgi ruošiniai būtų laikomi horizontaliai. Atlaisvinkite sparnuotąsias varžles ir iššteskite pagalbinius pagrindus iki ilgio, tinkamo ruošiniui prilaikyti. Tada priveržkite sparnuotąsias varžles.

► **Pav.39:** 1. Pagalbinis pagrindas 2. Sparnuotoji varžėlė

Pjaudami lygiai prispauskite ruošinį prie kreipiamųjų aptvarų.

► **Pav.40:** 1. Kreipiamasis aptvaras 2. Pagalbinis pagrindas

NAUDOJIMAS

Šis įrankis skirtas medienos gaminiams pjauti. Naudojant tinkamus originalius „Makita“ pjūklo diskus, taip pat galima pjauti ir šių medžiagų:

— aliuminio gaminius

Dėl informacijos apie tinkamus diskinio pjūklo diskus, skirtus naudoti pjautinai medžiagai, žr. žiniatinklo svetainę arba kreipkitės į vietinį „Makita“ prekybos atstovą.

⚠️ JSPĖJIMAS: Prieš įjungdami įrankį, įsitinkite, kad pjūklo diskas neličia ruošinio ir pan. Įjungus įrankį, kai pjūklo diskas liečia ruošinį, gali įvykti atotrūkimas ir galima sunkiai susižeisti.

⚠️ JSPĖJIMAS: Baigę pjauti neatkelkite pjūklo disko, kol jis visiškai nesusost. Atkėlus besisukantį pjūklo diską, galima sunkiai susižeisti ir sugadinti ruošinį.

⚠️ JSPĖJIMAS: Kol pjūklo diskas sukasi, neatlikite jokių reguliavimo darbų, pvz., nesukite rankenų ir įrankio svirčių. Jei reguliuosite pjūklo diskui besisukant, galite sunkiai susižeisti.

⚠️ PERSPĖJIMAS: Nekontroliuojamai neatleiskite pjūklo galvutės iš visiškai nuleistos padėties. Nekontroliuojama pjūklo galvutė gali jus kliudyti ir sužaloti.

PASTABA: Prieš naudodami būtinai atfiksukite fiksavimo smaigą ir atleiskite rankenėlę iš nuleistos padėties.

PASTABA: Pjaudami per daug nespauskite rankenėlės. Per didelė jėga gali sukelti variklio perkrovą ir (arba) sumažinti pjovimo efektyvumą. Spauskite rankenėlę žemyn tik tokia jėga, kokios reikia sklandžiai pjauti, ir smarkiai nedidinkite disko sukimosi greičio.

PASTABA: Norėdami atlikti pjūvį, atsargiai nuspauskite rankeną žemyn. Jei spausite rankeną per jėgą arba naudosite šoninę jėgą, pjūklo diskas pradės vibruoti ir paliks ant ruošinio pjovimo žymes, todėl pjūvio tikslumas bus prastas.

PASTABA: Atlikdami slenkamą pjūvį atsargiai nesustodami stumkite atramą kreiptuvo link. Jeigu pjaunant atramos judėjimas sustabdomas, ant ruošinio liks žymė ir pjūvis bus netikslus.

Pjovimas, naudojant spaudimą

⚠️ JSPĖJIMAS: Kai pjaunate spausdami, užfiksukite apsaugą, kad ji negalėtų slankioti. Pjaunant be užrakto gali įvykti atotrūkimas, galinti lemti sunkių sužalojimų.

65 mm aukščio ir 80 mm pločio ruošinius galima pjauti tokiu būdu.

1. Spauskite atramą kreipiamoji aptvaro link, kol ji sustos, tada ji užfiksukite ją sparnuotąja veržle.
2. Suspauskite ruošinį tinkamos rūšies spaustuvais.
3. Įjunkite įrankį taip, kad diskinio pjūklo diskas su niekuo nesiliestų ir prieš nuleisdami palaukite, kol jis pradės sukintis visu greičiu.
4. Po to atsargiai iki galo žemyn nuleiskite rankenėlę ir pradėkite pjauti ruošinį.
5. Baigę pjauti, išjunkite įrankį ir, prieš gražindami diskinio pjūklo diską į viršutinę padėtį, palaukite, kol jis visiškai nustos sukintis.

► Pav.41: 1. Sparnuotoji veržlė

Pjovimas slenkant (stumiant) ruošinį (plačių ruošinių pjovimas)

⚠️ JSPĖJIMAS: Atlikdami pjovimą slenkant, pirmiausia iki galo patraukite suportą savęs link ir nuspauskite rankenėlę į žemiausią padėtį, po to stumkite suportą kreiptuvo link. Niekada nepradėkite pjauti iki galo nepatraukę suporto savęs link. Jeigu pradėsite pjauti iki galo nepatraukę suporto savęs link, gali įvykti atotrūkimas, kuri gali sąlygoti sunkų susižeidimą.

⚠️ JSPĖJIMAS: Niekada nebandykite atlikti pjūvį slinkdami, traukdami suportą savęs link. Pjovimo metu traukiant suportą savęs link, gali netikėtai įvykti atotrūkimas, kuri gali sąlygoti sunkų susižeidimą.

⚠️ JSPĖJIMAS: Niekada nepjaukite slinkdami, jeigu rankenėlė užfiksuoja žemiausioje padėtyje.

1. Atlaisvinkite sparnuotąją veržlę, kad galėtumėte lengvai slinkti atramą.
2. Suspauskite ruošinį tinkamos rūšies spaustuvais.
3. Iki galo savęs link patraukite suportą.
4. Įjunkite įrankį taip, kad diskinio pjūklo diskas su niekuo nesiliestų, ir palaukite, kol jis pradės sukintis visu greičiu.
5. Nuspauskite rankenėlę ir stumkite suportą kreiptuvo link ir pjaukite ruošinį.
6. Baigę pjauti, išjunkite įrankį ir, prieš gražindami pjūklo diską į viršutinę padėtį, palaukite, kol jis visiškai nustos sukintis.

► Pav.42: 1. Sparnuotoji veržlė

Įžambus pjovimas

Žr. skyrių „Įžambaus kampo nustatymas“.

Istrižasis pjovimas

▲JSPĖJIMAS: Nustatę pjūklo diską pjauti įstrižai, prieš naudodami įrankį visada patikrinkite, ar atrama ir pjūklo diskas nevaržomai juda visose pjūvio ribose. Jeigu pjaunant atramos arba disko judėjimas bus sutrikdytas, gali įvykti atatranka, galinti sukelti sunkių sužalojimų.

▲JSPĖJIMAS: Atlikdami įstrižuosius pjūvius, laikykite rankas atokiai nuo pjūklo disko judėjimo kelio. Pjūklo diskas gali judėti kitokiu nei įprasta kampu ir supainioti operatorių, o prisilietus prie pjūklo disko galima sunkiai susižeisti.

▲JSPĖJIMAS: Pjūklo disko negalima atkelti tol, kol jis visiškai nesustos. Atliekant įstrižąjį pjūvį, nupjautoji ruošinio dalis gali atsiremti į pjūklo diską. Jeigu pakelsite besisukantį pjūklo diską, jis gali išsviesti nupjautą dalį ir suskaldyti medžiagą į atplaisas, kurios gali sunkiai sužeisti.

PASTABA: Nuspausdami rankeną žemyn, kartu spauskite ir pjūklo diską. Jei statmenai sukiojamam pagrindui naudosite jėgą arba jei pjaudami pakeisite spaudimo kryptį, pjūvis bus netikslus.

1. Nustatykite slankųjį aptvarą kairėje pusėje, kad nesiliestų atrama.
2. Atlaisvinkite fiksavimo smaigalį ir rankenos sparnuotąją veržlę, kad galėtumėte lengvai pakelti ir slinkti atramą.
3. Sureguliuokite įstrižąjį kampą, laikydamiesi sk. „Istrižasis kampas“ paaiškintos reguliavimo procedūros. Tada priveržkite rankeną.
4. Suspauskite ruošinį spaustuvais.
5. Iki galo savęs link patraukite suportą.
6. Įjunkite įrankį taip, kad diskinio pjūklo diskas su niekuo nesiliestų, ir palaukite, kol jis pradės sukintis visu greičiu.
7. Švelniai nuleiskite rankeną į žemiausią padėtį, tuo pačiu metu lygiagrečiai spausdami diskinio pjūklo diską. **Norėdami pradėti pjauti ruošinį, stumkite atramą kreipiamojo aptvaro link.**
8. Baigę pjauti, išjunkite įrankį ir, prieš grąžindami diskinio pjūklo diską į viršutinę padėtį, **palaukite, kol jis visiškai nustos sukintis.**

► Pav.43

Kombinuotasis pjovimas

Kombinuotasis pjovimas – tai procesas, kai ruošinys tuo pačiu metu pjaunamas įstrižu ir įžambiu kampais. Kombinuotąjį pjovimą galima atlikti lentelėje nurodytais kampais.

Nuožulnis kampas	Įstrižasis kampas
Kairėje ir dešinėje 0° – 45° kampas	Kairėje 0–45°

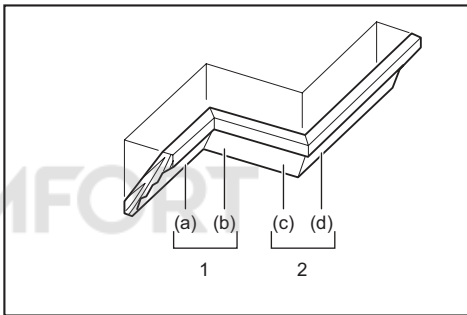
Atlikdami kombinuotąjį pjovimą, žr. paaiškinimus skyriuose „Pjovimas, naudojant spaudimą“, „Pjovimas slenkant (stumiant)“, „Įžambus pjovimas“ ir „Įstrižųjų pjūvių darymas“.

Dekoratyviųjų ir skliautinių karnizų pjovimas

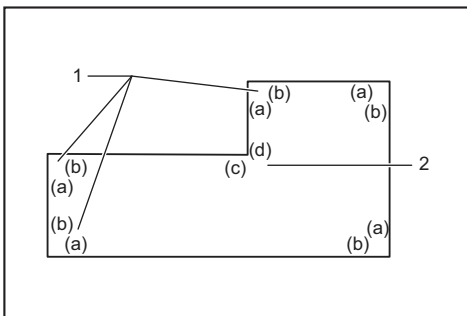
Dekoratyviuosius ir skliautinius lubų karnizus galima išpjauti kombinuotu skersavimo ir kampų suleidimo pjūklų, padėjus karnizus ant sukiojamo pagrindo. Paprastai naudojami dviejų tipų dekoratyviniai karnizai ir vieno tipo skliautiniai karnizai: 52/38° kampų tarp sienos ir lubų dekoratyviniai karnizai, 45° kampo tarp sienos ir lubų karnizai bei 45° kampo tarp sienos ir lubų skliautiniai karnizai.

► Pav.44: 1. 52/38° tipo dekoratyviniai karnizai 2. 45° tipo dekoratyviniai karnizai 3. 45° tipo skliautiniai karnizai

Gali būti naudojami dekoratyviųjų ir skliautinių karnizų jungtys, kurios pagamintos taip, kad tilptų „vidiniuose“ 90° kampuose ((a) ir (b) paveikslėliuose) ir „išoriniuose“ 90° kampuose ((c) ir (d) paveikslėliuose).



1. Vidinis kampas 2. Išorinis kampas



1. Vidinis kampas 2. Išorinis kampas

Matavimai

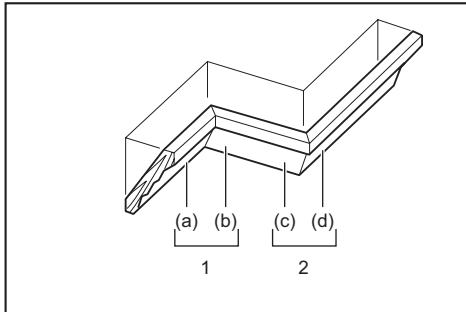
Išmatuokite sienelės plotį, tuomet pagal jį pakoreguokite ruošinio plotį. Visada įsitikinkite, ar ruošinio sienelės sąlyčio krašto plotis sutampa su sienelės plgiu.

► Pav.45: 1. Ruošiny 2. Sienelės plotis 3. Ruošinio plotis 4. Sienelės sąlyčio kraštas

Pradžioje visuomet atlikite kelis bandomuosius pjūvius ant atliekamų ruošinių, kad nustatytumėte pjovimo kampus.

Pjaudami dekoratyvinius ir skliautinius lubų karnizus, nustatykite įstrižus ir nuožambius kampus, kaip nurodyta lentelėje (A), ir dėkite karnizus ant pjūklo pagrindo, kaip nurodyta lentelėje (B).

Kairysis įstrižas pjūvis



1. Vidinis kampas 2. Išorinis kampas

Lentelė (A)

–	Karnizo padėtis paveikslėlyje	Įstrižasis kampas		Nuožulnis kampas	
		52/38° tipas	45° tipas	52/38° tipas	45° tipas
Vidiniam kampui	(a)	Kairėje 33,9°	Kairėje 30°	Dešinėje 31,6°	Dešinėje 35,3°
	(b)			Kairėje 31,6°	Kairėje 35,3°
Išoriniam kampui	(c)			Dešinėje 31,6°	Dešinėje 35,3°
	(d)				

Lentelė (B)

–	Karnizo padėtis paveikslėlyje	Karnizo kampas pagal kreiptuvo aptvarą	Užbaigta dalis
Vidiniam kampui	(a)	Lubų sąlyčio kraštas turėtų būti priešais kreiptuvo aptvarą.	Baigta dalis bus kairėje diskinio pjūklo pjovimo disko pusėje.
	(b)	Sienos sąlyčio kraštas turėtų būti priešais kreiptuvo aptvarą.	
Išoriniam kampui	(c)	Lubų sąlyčio kraštas turėtų būti priešais kreiptuvo aptvarą.	Baigta dalis bus dešinėje diskinio pjūklo pjovimo disko pusėje.
	(d)	Lubų sąlyčio kraštas turėtų būti priešais kreiptuvo aptvarą.	

Pavyzdys:

Atlikdami 52/38° tipo dekoratyvinio karnizo pjūvį pagal padėtį (a) paveikslėlyje, pateiktame pirmiau:

- Pakreipkite ir užtvirtinkite įstrižo kampo nustatymą ties 33,9° KAIRIUOJU kampu.
- Nustatykite ir užtvirtinkite nuožambaus kampo nustatymą ties 31,6° DEŠINIUOJU kampu.
- Dėkite dekoratyvinį karnizą jo lentos galinės pusės (paslėptu) paviršiumi ant sukiojamo pagrindo, jo LUBAS LIEČIANTĮ KRAŠTĄ atrėmę į pjūklo kreiptuvą.
- Atlikus pjūvį, baigta ir naudoti skirta dalis visada bus KAIREJE diskinio pjūklo disko pusėje.

Forminių aliuminio ruošinių pjovimas

Forminiams aliuminio ruošiniams pritvirtinti naudokite atramines trinkeles arba metalo gabalėlius, kaip parodyta piešinyje, kad aliuminis nesideformuotų. Pjaudami forminius aliuminio ruošinius, naudokite pjovimo tepalą, kad prie diskinio pjūklo disko nepriliptų aliuminio dalelių.

⚠️ ĮSPĖJIMAS: Niekada nebandykite pjauti storų arba apvalių aliuminio profilių. Storus arba apvalius aliuminio profilius gali būti sunku įtvirtinti, todėl pjauant jie gali atsilaisvinti, tada kiltų pavojus nesuvaldyti įrankio ir sunkiai susižeisti.

► **Pav.46:** 1. Spaustuvas 2. Skėtiklis 3. Kreipiamasis aptvaras 4. Aliuminio profilis 5. Skėtiklis

Kartojamasis ruošinių pjovimas

Prieš pjaudami kelias vienodo ilgio atkarpas nuo 225 mm iki 350 mm, patraukite aukštyn nustatymo plokštelę, kaip parodyta paveikslėlyje. Užfiksuokite ruošinį pjovimui skirtoje padėtyje. Nuslinkite dešinįjį pagalbinį pagrindą, kad nustatymo plokštelė priglustų prie ruošinio galo. Tada užfiksuokite ją sparnuotąja veržle.

► **Pav.47:** 1. Nustatymo plokštelė 2. Sparnuotoji veržlė

Griovelio išpjovimas

⚠️ ĮSPĖJIMAS: Nebandykite atlikti šio tipo pjūvių, naudodami platesnius arba frezavimo diskus. Bandant išpjauti griovelį platesniu disku arba frezavimo disku, gali įvykti netikėta atitranka, kuri gali sąlygoti sunkų sužeidimą.

⚠️ ĮSPĖJIMAS: Atlikdami kitus nei griovelių išpjovimo pjūvius, būtinai sugrąžinkite fiksavimo svirtį į pradinę padėtį. Bandant atlikti pjūvius, kai fiksavimo svirtis yra netinkamoje padėtyje, pjūviai gali būti netikslūs ir gali įvykti netikėta atitranka, sąlygojanti sunkų sužeidimą.

Atlikdami panelio tipą, elkitės taip:

1. reguliavimo varžtu ir fiksavimo rankena nustatykite apatinę diskinio pjūklo disko ribą, kad apribotumėte diskinio pjūklo disko pjovimo gylį. Žr. skyrių apie fiksavimo rankeną.
 2. Nustatę apatinę ribinę diskinio pjūklo disko padėtį, slinkdami (stumdami) pjaukite lygiagrečius griovelius skersai per visą ruošinio plotį.
- **Pav.48:** 1. Griovelių pjovimas pjūklo disku
3. Kaltuku išvalykite grioveliuose likusią medieną.

Įrankio nešimas

Prieš nešdami įrankį užtikrinkite, kad jis būtų atjungtas nuo elektros tinklo ir visos judančios įrankio dalys būtų užfiksuotos. Imkitės priemonių, kad tolesni teiginiai būtų teisingi.

- Įrankis yra atjungtas nuo tinklo.
- Atrama yra nustatyta į 0° įžambiojo kampo padėtį ir fiksuojama.
- Atrama yra nuleista ir fiksuojama.
- Atrama visiškai paslinkta link jūsų ir užfiksuota.
- Sukiojamas pagrindas yra nustatytas į visišką dešiniojo įžambiojo kampo padėtį ir fiksuojamas.

Neškite įrankį, laikydami už rankenos ir vienos įrankio pagrindo pusės arba laikydami už abiejų įrankio pagrindo pusių.

► Pav.49

► Pav.50

⚠ JSPĖJIMAS: Atramai pakelti naudojamas fiksavimo smaigas yra skirtas tik įrankiui nešti, sandėliuoti ir reguliuoti. Jį sumontavus, negalima pjauti. Naudojant fiksavimo smaigą pjovimo darbams, diskinio pjūklo diskas gali netikėtai pajudėti, sukelti atitrūkimą ir sunkiai sužeisti.

⚠ PERSPĖJIMAS: Prieš nešdami įrankį, būtinai užtvirtinkite visas judamąsias dalis. Jeigu nešant įrankį kuri nors jo dalis pajudės arba pasislinks, galima netekti pusiausvyros arba nesuvaldyti įrankio ir susižeisti.

⚠ PERSPĖJIMAS: Įsitikinkite, kad atramos pakėlimas būtų tinkamai užfiksuotas apačioje fiksavimo smaigu. Jei fiksavimo smaigas netinkamai užfiksuotas, atrama gali staiga atšokti ir jus sužaloti.

TECHNINĖ PRIEŽIŪRA

⚠ JSPĖJIMAS: Prieš pradėdami įrankio tikrinimo arba techninės priežiūros darbus, visada išjunkite įrankį ir atjunkite jį nuo maitinimo tinklo. Neišjungus įrankio ir neatjungus jo nuo maitinimo tinklo, galima sunkiai susižeisti, jei įrankis atsitiktinai įsijungtų.

⚠ JSPĖJIMAS: Siekdami geriausių rezultatų ir saugiausio darbo, visuomet užtikrinkite, kad pjūklo diskas būtų aštrus ir švarus. Bandant pjauti atbukusiu ir (arba) nešvarių pjūklo disku, gali įvykti atranka ir galima sunkiai susižeisti.

PASTABA: Niekada nenaudokite gazolino, benzino, tirpiklio, spirito arba panašių medžiagų. Gali atsirasti išblukimų, deformacijų arba įtrūkimų.

Kad gaminyt būtų SAUGUS ir PATIKIMAS, jį taisyti, apžiūrėti ar vykdyti bet kokią kitą priežiūrą ar derinimą turi įgaliotasis kompanijos „Makita“ techninės priežiūros centras; reikia naudoti tik kompanijos „Makita“ pagamintą atsargines dalis.

Pjovimo kampo nustatymas

Šis įrankis gamykloje buvo kruopščiai nustatytas ir sulygiuotas, tačiau jo neprižiūrint, sulygiavimas gali išsireguliuoti. Jeigu įrankis sulygiuotas netinkamai, atlikite tokius veiksmus:

Nuožulnis kampas

1. Fiksavimo smaigu užfiksuokite atramą apatinėje padėtyje. Iki galo pristumkite atramą prie kreipiamojo aptvaro ir užveržkite sparnuotąją varžlę, užfiksuodami atramą.

2. Nustatykite sukiojamą pagrindą į 0° kampo padėtį, naudodami tikslaus kampo fiksavimo funkciją. (Jeigu rodyklė nerodo 0° kampo, palikite taip, kaip yra.)

3. Šešiabriauniu raktu atlaisvinkite šešiakampių lizdinių galvūčių varžtus, laikančius kreipiamąjį aptvarą.

► Pav.51: 1. Fiksavimo smaigas 2. Sparnuotoji varžlė 3. Šešiakampės lizdinės galvutės varžtai

4. Trikampė liniuotė ar kampiniu nustatykite statų kampą pjūklo disko šono ir kreipiamojo aptvaro paviršiaus atžvilgiu. Tada iš eilės nuo dešinės pusės tvirtai priveržkite kreipiamojo aptvaro šešiakampių lizdinių galvūčių varžtus.

► Pav.52: 1. Kreipiamasis aptvaras 2. Trikampė liniuotė

5. Jei rodyklė nerodo 0° kampo, atsukite varžtą, kuris laiko rodyklę, ir pareguliuokite ją, kad ji rodytų 0° kampą.

► Pav.53: 1. Varžtas 2. Rodyklė 3. Įžambiojo kampo skalė

Įstrižasis kampas

0° įstrižumo kampas

1. Fiksavimo smaigu užfiksuokite atramą apatinėje padėtyje. Iki galo pristumkite atramą prie kreipiamojo aptvaro ir užveržkite sparnuotąją varžlę, užfiksuodami atramą.

2. Atlaisvinkite svirtį. Tada pasukite 0° kampo reguliavimo varžtą du–tris pasukimus prieš laikrodžio rodyklę, kad pakreiptumėte diskinio pjūklo diską dešinėn.

► Pav.54: 1. Svirtis 2. 0° kampo reguliavimo varžtas

3. Pagal laikrodžio rodyklę sukdami 0° kampo reguliavimo varžtą, tiksliai nustatykite pjūklo disko kraštą ir sukiojamo pagrindo paviršių stačiu kampu, naudodami trikampę liniuotę, kampainį ir pan. Tada gerai užveržkite svirtį ir užfiksuokite nustatytą 0° kampą.

► Pav.55: 1. Trikampė liniuotė 2. Pjūklo diskas 3. Sukiojamo pagrindo viršutinis paviršius

4. Jei rodyklė nerodo 0° kampo, atsukite varžtą, kuris laiko rodyklę, ir pareguliuokite ją, kad ji rodytų 0° kampą.

► Pav.56: 1. Varžtas 2. Rodyklė 3. Įstrižojo kampo skalė

45° įstrižumo kampas

PASTABA: Prieš reguliuodami 45° įstrižąjį kampą, pirmiausia nustatykite 0° įstrižąjį kampą.

1. Užveržkite sparnuotąją veržlę atramai užfiksuoti.
2. Atlaisvinkite svirtį. Tada pakreipkite atramą iki galo kairėn.
► **Pav.57:** 1. Sparnuotoji veržlė 2. Svirtis
3. Patikrinkite, ar rodyklė rodo 45° kampą įstrižojo kampo skalėje.

Jei rodyklė nerodo 45° kampo padėties, sulygiuokite ją su 45° kampo padėtimi, sukdami 45° kampo reguliavimo varžtą.

► **Pav.58:** 1. 45° kampo reguliavimo varžtas

Anglinių šepetėlių keitimas

Reguliariai išimkite ir patikrinkite anglinius šepetėlius. Pakeiskite juos, kai nusidėvi iki ribos žymės. Pasirūpinkite, kad angliniai šepetėliai būtų švarūs ir lengvai įslinktų į laikiklius. Abu angliniai šepetėliai turėtų būti keičiami tuo pačiu metu. Naudokite tik identiškus anglinius šepetėlius.

► **Pav.59:** 1. Ribos žymė

Jei norite nuimti šepetėlių laikiklių dangtelius, pasinaudokite atsuktuvu. Išimkite sudėvėtus anglinius šepetėlius, įdėkite naujus ir įtvirtinkite šepetėlį laikiklio dangtelį.

► **Pav.60:** 1. Šepetėlio laikiklio dangtelis

Po naudojimo

Pabaigę darbą, skudurėliu nuvalykite prie įrankio priklusias atplaišas ir dulkes. Atitinkamai pagal anksčiau skyriuje „Pjovimo disko apsauga“ išdėstytus nurodymus, pjovimo disko apsauga turi būti laikoma švariai. Judamas dalis patepkite mašininę alyvą, kad jos nerūdytų.

PASIRENKAMI PRIEDAI

⚠️ JSPĖJIMAS: Su šiame vartotojo vadove nurodytu „Makita“ įrankiu rekomenduojama naudoti šiuos „Makita“ įtaisus ir priedus. Naudojant bet kokius kitus įtaisus ir priedus, galima sunkiai susižeisti.

⚠️ JSPĖJIMAS: „Makita“ įtaisą arba priedą naudokite tik pagal jo numatytąjį paskirtį. Naudojant įtaisą arba priedą ne pagal jo numatytąjį paskirtį, galima sunkiai susižeisti.

Jeigu norite daugiau sužinoti apie tuos priedus, kreipkitės į artimiausią „Makita“ techninės priežiūros centrą.

- Plieniniai pjūklo diskai ir pjūklo diskai su karbido galiukais
- Vertikalūs spaustuvas
- Dulkių surinkimo maišelis
- Trikampė liniuotė
- Šešiakampis veržliaraktis
- Staklių stovo komplektas

PASTABA: Kai kurie sąraše esantys priedai gali būti pateikti įrankio pakuotėje kaip standartiniai priedai. Jie įvairiose šalyse gali skirtis.

TEHNILISED ANDMED

Mudel:		LS0816F
Tera läbimõõt		216 mm
Ava läbimõõt	Euroopa riigid	30 mm
	Muud kui Euroopa riigid	25,4 mm või 30 mm (riigiti erinev)
Saetera max sisselõike paksus		2,8 mm
Max eerunginurk		Vasakule 47°, paremale 47°
Max kaldenurk		Vasakule 47°, paremale 2°
Koormuseta kiirus (P/MIN)		5 000 min ⁻¹
Mõõtmed (P x L x K)		476 mm x 705 mm x 521 mm
Netokaal		13,9 kg
Ohutusklass		□/II





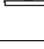


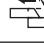
- Meie pideva uuringu- ja arendusprogrammi tõttu võidakse tehnilisi andmeid muuta ilma sellest ette teatamata.
- Tehnilised andmed võivad riigiti erineda.
- Kaal EPTA-protseduuri 01/2014 kohaselt

Saagimisvõimsus (K x L) 216 mm läbimõõduga saeteraga

Eerunginurk	Fassetnurk		
	45° (vasak)	0°	2° (paremale)
0°	36 mm x 305 mm	65 mm x 305 mm	60 mm x 305 mm
45° (vasakule ja paremale)	36 mm x 215 mm	65 mm x 215 mm	-

Sümbolid

Alljärgnevalt kirjeldatakse tingimärke, mida võidakse seadmetel kasutada. Enne seadme kasutamist tehke endale selgeks nende tähendus.

	Lugege juhendit.
	TOPELTISOLATSIOON
	Kandke kaitseprille.
	Vältimaks kehavigastust õhkupaiskuva prahi tõttu hoidke pärast lõikamist saepead all, kuni saetera on täielikult seisma jäänud.
	Liuglõikamisel tõmmake esmalt kelk täielikult välja ja vajutage käepide alla, seejärel tõugake kelku juhtpiirde suunas.
	Ärge asetage kätt ega sõrmi saetera lähedusse.
	Seadke liugpiirded nii, et need ei puutuks saetera vastu, ning reguleerige lõiketera kaitse õigesti.
	Ärge vaadake töötle sisse.



Ainult EL-i riikide puhul
Seadmes sisalduvate ohtlike osade tõttu võivad kasutatud elektri- ja elektroonikaseadmed avaldada negatiivset mõju keskkonnale ja inimeste tervisele. Elektri- ja elektroonikaseadmeid ei tohi kõrvaldada koos olmejäätmetega! Euroopa elektri- ja elektroonikaseadmete jäätmete direktiivi ja riiklikku õigusesse ülevõtmise kohaselt tuleb kasutatud elektri- ja elektroonikaseadmed koguda eraldi ning viia eraldiseisvasse olmejäätmete kogumispunkti, mis tegutseb kooskõlas keskkonnakaitse eeskirjadega. Sellele osutab seadmele paigaldatud läbikriipsutatud ratastega prügikasti sümbol.

Kavandatud kasutus

Tööriist on ette nähtud puidu täpseks sirgjooneliseks ja kaldlõikamiseks. Sobivate saeteradega on võimalik saagida ka alumiiniumi. Täpsemat teavet vaadake jaotisest TÕÕRIISTA KASUTAMINE.

Vooluvarustus

Seadet võib ühendada ainult andmesildil näidatud pingega vooluvõrku ning seda saab kasutada ainult ühefaasilisel vahelduvvoolutoitel. Seadmel on kahekordne isolatsioon ning seega võib seda kasutada ka ilma maandusjuhtmeta pistikupespa ühendatult.

Müra

Tüüpiline A-korrigeeritud müratase, määratud standardi EN62841-3-9 kohaselt:

Helirõhutatase (L_{pA}): 91 dB (A)

Helivõimsuse tase (L_{WA}): 102 dB (A)

Määramatus (K): 3 dB (A)

MÄRKUS: Deklareeritud müra väärtust (väärtuseid) on mõõdetud kooskõlas standardse katsemeetodiga ning seda võib kasutada ühe seadme võrdlemiseks teisega.

MÄRKUS: Deklareeritud müra väärtust (väärtuseid) võib kasutada ka mürataseme esmaseks hindamiseks.

⚠️HOIATUS: Kasutage kõrvakaitsmeid.

⚠️HOIATUS: Müratase võib elektritööriista tege-
likkuses kasutamise ajal erineda deklareeritud
väärtus(t)est olenevalt tööriista kasutusviisidest
ja eriti töödeldavast toorikust.

⚠️HOIATUS: Rakendage operaatori kaitsmi-
seks kindlasti piisavaid ohutusabinõusid, mis
põhinevad hinnangulisel müratasemel tegelikus
töösihtsuutisioonis (võttes arvesse tööperioodi kõiki
osasid, näiteks korrad, kui seade lülitatakse välja
ja seade töötab tühikäigul, lisaks tööajale).

Vastavusdeklaratsioon

Ainult Euroopa riikide puhul

Vastavusdeklaratsioonid on selle juhendi A-lisas.

OHUTUSHOIATUSED

Üldised elektritööriistade ohutushoiatused

⚠️HOIATUS Lugege läbi kõik selle elektritööriis-
taga kaasas olevad ohutushoiatused, juhised, illust-
ratsioonid ja tehnilised andmed. Alljärgnevate juhiste
eiramine võib põhjustada elektrilöögi, süttimise ja/või
raske kehavigastuse.

Hoidke edaspidisteks viide- teks alles kõik hoiatused ja juhtnõbrid.

Hoiatustes kasutatud termini „elektritööriist“ all peet-
takse silmas elektriga töötavaid (juhtmega) elektritöö-
riistu või akuga töötavaid (juhtmata) elektritööriistu.

Tööpiirkonna ohutus

1. Tööpiirkond peab olema puhas ja hästi valgus-
tatud. Asju täiskuhjatud või pimedad alad soodustavad
õnnetuste teket.
2. Ärge kasutage elektritööriistu plahvatusoht-
likus keskkonnas, nagu tuleohtlike vedelike,
gaaside või tolmu läheduses. Elektritööriistad
tekitavad sädemeid, mis võivad süüdata tolmu või
aured.

3. Hoidke lapsed ja kõrvalised isikud elektritöö-
riistaga töötamise ajal eemal. Tähelepanu haju-
misega võib kaasneda kontrolli kaotus.

Elekriohutus

1. Elektritööriistade pistik peab sobima pistiku-
pesaga. Ärge kunagi muutke pistikut mis tahes
moel. Ärge kasutage adapterpistikuid maan-
datud elektritööriistadega. Muutmata pistikud ja
sobivad pistikupesad vähendavad elektrilöögriski.
2. Vältige keha kokkupuudet maandatud pinda-
dega, nagu torud, radiaatorid, pliidid ja külmi-
kud. Eksisteerib suurenenud elektrilöögrisk, kui
teie keha on maandatud.
3. Elektritööriistad ei tohi sattuda vihma kätte
või märga kohta. Elektritööriista sisse läinud vesi
suurendab elektrilöögriski.
4. Ärge kahjustage toitejuhet. Ärge kunagi kasu-
tage elektrijuhet elektritööriista kandmiseks,
tõmbamiseks või pistikupesast väljatõmba-
miseks. Hoidke juhe eemal kuumast, õlist,
teravatest nurkadest või liikuvatest osadest.
Kahjustatud või sassis juhtmed suurendavad
elektrilöögriski.
5. Kui töötate elektritööriistaga välistingimuse-
tes, kasutage sellist pikendusjuhet, mis
sobib väljas kasutamiseks. Välistingimustes
sobiva pikendusjuhtme kasutamine vähendab
elektrilöögriski.
6. Kui niiskes asukohas elektritööriistaga tööta-
mine on vältimatu, kasutage lekkevoolukaits-
mega (RCD) kaitsitud vooluahelat. RCD kasuta-
mine vähendab elektrilöögiohtu.
7. Soovitame alati kasutada elektritoidet RCD
kaudu nominaalse jääkvooluga 30 mA või
vähem.
8. Mootortööriistad võivad tekitada elektromag-
netvälju (EMV), mis ei ole kasutajale kahjuli-
kud. Küll aga peaksid südamestimulaatorite ja
teiste sarnaste meditsiiniseadmetega kasutajad
võtma enne mootortööriista kasutamist nõu
saamiseks ühendust oma seadme tootja ja/või
arstiga.
9. Ärge puudutage märgade kätega toitepistikut.
10. Kui juhe on kahjustatud, laske see ohutuse
eesmärgil vahetada tootjal või tema agendil.

Isiklik ohutus

1. Püsige ergas, jälgige pidevalt, mida teete, ning
kasutage elektritööriistaga töötamisel tervet
mõistust. Ärge kasutage elektritööriista, kui
olete väsinud või narkootikumide, alkoholi või
ravimite mõju all. Elektritööriistadega töötades
võib tähelepanematus endaga kaasa tuua tõsised
tervisekahjustusi.
2. Kasutage isikukaitsevahendeid. Kandke alati
silmakaitseid. Kaitsevahendid, näiteks olu-
desse sobiv tolumask, libisemiskindlad turvaja-
latsid, kõva peakate või kõrvaklapid, vähendavad
tervisekahjustusi.
3. Vältige juhukäivitust. Enne tööriista voolu-
võrgu ja/või akuga ühendamist, ülesvõtmist
või kandmist veenduge, et lüliti oleks väljalüli-
tatud asendis. Elektritööriistade kandmine näppu
lüliti hoides või sisse lülitatud tööriista pingesta-
mine suurendab õnnetuse tekkimise ohtu.

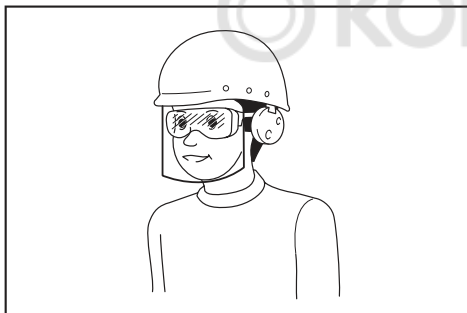
4. Eemaldage reguleerimis- ja mutrivõtmed enne elektritööriista käivitamist. Mutrivõti või mingi muu võti, mis on jäetud elektritööriista pöörleva osa külge, võib põhjustada terviskahjustusi.
5. Ärge küünitage liiga kaugele ette. Hoidke kogu aeg jalad kindlalt maas ning hoidke tasakaalu. See tagab parema kontrolli elektritööriista üle ootamatutes olukordades.
6. Riietuge kohaselt. Ärge kandke lahtisi riideid ega ehteid. Hoidke juuksed ja riided liikuvatest osadest eemal. Lahtised riided, ehted ja pikad juuksed võivad liikuvate osade külge jääda.
7. Kui seadmed on varustatud tolmueraldus- ja kogumisvahenditega, veenduge, et need oleks ühendatud ja neid kasutatakse õigesti. Tolmu kogumise kasutamine võib vähendada tolmuiga seotud riske.
8. Ärge muutuge tööriistu sageli kasutades hooletuks ega ignoreerige tööriista ohutuspõhimõtteid. Hooletu tegevus võib murdosa sekundiga põhjustada raske kehavigastuse.
9. Kandke elektritööriistu kasutades oma silmade vigastuste eest kaitsmiseks alati kaitseprille. Prillid peavad vastama USA-s standardile ANSI Z87.1, Euroopas standardile EN 166 või Austraalias/Uus-Meremaal standardile AS/NZS 1336. Austraalias/Uus-Meremaal on näo kaitsmiseks seadusega nõutud ka näokaitsme kasutamine.
5. Hooldage elektritööriistu ja selle tarvikuid. Liikuvate osade joonduse või kinnituse, osade purunemise ja teiste olukordade kontrollimine võib mõjutada tööriista töötamist. Kui tööriist saab kahjustada, laske see enne järgmist kasutamist ära remontida. Paljude õnnetuste põhjuseks on halvasti hooldatud elektritööriistad.
6. Hoidke löikeriistad teravad ja puhtad. Korralikult hooldatud löikeriistad, millel on teravad lõikeservad, ei kiili nii lihtsalt kinni ning neid on lihtsam käsitleda.
7. Kasutage elektritööriista, lisatarvikuid, tööriista lõiketerasid jne juhendite kohaselt, võttes arvesse töötõngimusi ja tehtavat tööd. Elektritööriistade kasutamine selleks mitte ette nähtud eesmärkidel võib kaasa tuua ohtlikke olukordi.
8. Hoidke käepidemed ja haardepinnad kuivad, puhtad ning õli- ja määrdevabad. Libesed käepidemed ja haardepinnad ei lase tööriista ootamatutes olukordades ohutult käsitleda ja juhtida.
9. Tööriista kasutamise ajal ärge kandke riidest töökindaid, kuna need võivad kinni jääda. Liikuvate osade külge kinni jäänud riidest töökindad võivad põhjustada kehavigastusi.

Hooldus

1. Laske elektritööriista hooldada eksperdil, kes kasutab vaid originaalvaruosi. Siis püsib elektritööriista ohutus.
2. Järgige õlitamist ja tarvikute vahetamist puudutavaid juhtnõure.

Eerungisaagide ohutusjuhised

1. Eerungisaed on mõeldud puudu või puidusarnaste toodete lõikamiseks; neid ei saa kasutada koos abrasiivsete lõikeketastega, mis on mõeldud lattide, varraste, neetide jt rauasulamist materjalide lõikamiseks. Abrasiivne tolm põhjustab alumise piirde jt liikuvate osade kinnijäämise. Abrasiivsest lõikamisest tekkinud sädemeid põletavad alumist piiret, sisselõike siseosa ja teisi plast detaile.
2. Võimaluse korral kasutage töödeldava detaili kaega hoides tuleb kätt hoida saeterast alati vähemalt 100 mm kaugusel. Ärge kasutage saage, et lõigata tükke, mis on turvaliselt kinnitamiseks või kaega hoidmiseks liiga väikesed. Kui käsi asub saeterale liiga lähedal, on oht saeteraga vigastada saada väga suurt.
3. Töödeldav ese peab olema paigal ja olema nii piirde kui ka laua külge kinnitatud või vastu neid kinni hoitud. Ärge juhtige töödeldavat eset vastu tera ega lõigake mingil muul moel „vaba käega”. Kinnitamata või liikuvad töödeldavad esemed võivad suure kiirusega eemale paiskuda ja põhjustada vigastusi.
4. Suruge saag läbi töödeldava eseme. Saagi ei tohi läbi töödeldava eseme tõmmata. Lõike tegemiseks tõstke saepea ja tõmmake ilma lõikamata välja üle töödeldava eseme, käivitage mootor, vajutage saepea alla ja suruge saag läbi töödeldava eseme. Tõmbava liigutusega lõikamisel võib saetera liikuda töödeldava eseme peale ja terakoost võib paiskuda operaatori poole.



Töandja kohustus on nõuda, et tööriista operaatorid ja teised tööpiirkonnas viibivad isikud kannaksid sobivat ohutusvarustust.

Elektritööriista kasutamine ja hooldus

1. Ärge kasutage elektritööriista suhtes jõudu. Kasutage tööks sobilikku elektritööriista. Elektritööriist töötab paremini ja ohutumalt võimsusel, mis on tööks ette nähtud.
2. Ärge kasutage elektritööriista, kui seda ei saa lülitist sisse ja välja lülitada. Iga elektritööriist on ohtlik, kui seda ei saa lülitist sisse või välja lülitada, ning see tuleb parandada.
3. Enne muudatuste tegemist, tarvikute vahetamist või elektritööriistade ladustamist lahutage pistik vooluvõrgust ja/või eemaldage aku. Ennetavad ohutusmeetmed vähendavad elektritööriista juhukäivituse riski.
4. Hoidke elektritööriistad, mida ei kasutata, laste käeulatuses eemale ning ärge lubage kõrvalseisjatel, kes pole elektritööriista ja juhendiga tutvunud, elektritööriista töötada. Kogenematute kasutajate käes on elektritööriistad ohtlikud.

5. **Mitte mingil juhul ärge asetage oma kätt ei saetera eest ega tagant risti üle plaanitava lõikejoone.** Töödeldava eseme hoidmine risti kätega, st hoides vasaku käega saeterast paremal asuvat töödeldavat eset või vastupidi, on väga ohtlik.
- **Joon.1**
6. **Ärge asetage kätt saetera pöörlemise ajal saepuru eemaldamiseks või mõnel muul põhjusel üle piirde saetera küljele lähemale kui 100 mm.** Käte kaugus saeterast ei pruugi olla ilmne ja te võite end raskelt vigastada.
7. **Uurige töödeldavat eset enne lõikamist. Kui töödeldav ese on kooldunud või kaardus, kinnitage see välise kaardus pinnaga vastu piiret. Alati tuleb jälgida, et töödeldava eseme, piirde ja laua vahel ei oleks piki lõikejoont mingit vahet.** Kooldunud või kaardus töödeldavad esemed võivad väänduda või nihkuda ja põhjustada lõikamise ajal saetera kinnijäämist. Töödeldavas esemes ei tohi olla naelu ega teisi võõrobjekte.
8. **Ärge kasutage saage enne, kui lauail on eemaldatud kõik tööriistad, saepuru jms peale töödeldava eseme.** Väike praht, lahtised puidukiidid kui muud pöörleva teraga kokkupuutuvad esemed võivad suurel kiirusel eemale paiskuda.
9. **Lõigake korraga ainult ühte töödeldavat eset.** Virnastatud mitut töödeldavat eset ei ole võimalik korralikult kinnitada ega haarata ja tera võib lõikamise ajal kinni jääda või nihkuda.
10. **Veenduge, et eerungisaag on enne kasutamist paigaldatud või kinnitatud tasasele ja kindlale tööpinnale.** Tasane ja kindel tööpind vähendab eerungisae ebastabiilseks muutumise ohtu.
11. **Mõelge oma töö läbi. Iga kord, kui muudate kalde- või faasinurga seadistust, veenduge, et ka reguleeritav piire on töödeldava eseme toetamiseks korralikult seadistatud ja ei sega lõiketera ega piirdesüsteimi.** Liigutage saetera tööriista sisse lülitamata ja töödeldavat eset lauale asetamata lõpuni läbi simuleeritud lõiketee veendumaks, et midagi ei takista ja pole ohtu piirdesse sisse lõigata.
12. **Lauapinnast suuremate töödeldavate esemete puhul tagage piisav tugi lauapikenduste, saepukkide jms näol.** Eerungisae lauast laiemad või pikemad töödeldavad esemed võivad halvasti toetamise korral ümber minna. Äralõigatud osa või töödeldav eseme ümberminemisel võivad nad alumise piirde üles tõsta või pöörleva tera poolt eemale paiskuda.
13. **Ärge kasutage teist inimest lauapikenduse asemel või lisatoena.** Töödeldava eseme eba-kindel toetus võib põhjustada lõikamise ajal tera kinnijäämist või töödeldava eseme liikumist ning tõmmata teid ja abilist vastu pöörlevat tera.
14. **Äralõigatavat osa ei tohi kinni jääda ega mitte mingil moel jõuga vastu pöörlevat saetera suruda.** Kinnijäämise korral, näiteks pikki pause tehes, võib ära lõigatav osa vastu tera kiiluda ja suure jõuga eemale paiskuda.
15. **Ümarate materjalide, nagu ümarlattide või torude korralikult toetamiseks tuleb alati kasutada selleks ettenähtud klambrit või kinnitust.** Ümarlatid võivad hakata lõikamise ajal vee-remata, põhjustades sellega tera „hammustamist“ ja tõmmates töödeldava eseme koos teie käega vastu saetera.
16. **Laske saeteral saavutada täiskiirus, enne kui viite selle vastu töödeldavat eset.** See vähendab töödeldava eseme eemale paiskumise ohtu.
17. **Kui töödeldav ese või tera jääb kinni, lülitage eerungisaag välja. Oodake, kuni kõik liikuvad osad on seiskunud, ja tõmmake pistik toiteallikast ja/või eemaldage akupakett.** Seejärel asuge eemaldama kinni jäänud materjali. Saagimise jätkamine kinni jäänud töödeldava esemega võib tuua kaasa kontrolli kaotamise või kahjustada eerungisaagi.
18. **Pärast lõikamise lõppu vabastage lüliti, hoidke saepead all, oodake, kuni tera on täielikult seiskunud, ja alles siis eemaldage ära lõigatud osa.** Käe viimine vabakäigul liikuva saetera lähedale on ohtlik.
19. **Kasutage ainult sellise läbimõõduga saetera, mis on märgitud tööriistale või määratud kindlaks käesolevas kasutusjuhendis.** Vale suurusega saetera kasutamine võib negatiivselt mõjutada saetera nõuetekohast kaitset või kaitsepiirde funktsioneerimist, mille tagajärjeks võib olla raske kehavigastus.
20. **Kasutage ainult selliseid saeteri, millele märgitud kiirus on võrdne tööriistale märgitud kiirusega või sellest suurem.**
21. **Ärge kasutage saagi muude kui ettenähtud materjalide lõikamiseks.**
22. **(Ainult Euroopa riikide puhul)** Kasutage pidu või muu sarnase materjali saagimiseks alati standardile EN847-1 vastavat saetera.

Lisajuhised

1. **Tehke töökoda tabalukke kasutades lastekindlaks.**
2. **Ärge kunagi seiske tööriista peal.** Tööriista ümberminemine või lõikeriistaga kogemata kokkupuutumine võib põhjustada raske vigastuse.
3. **Ärge jätke töötavat tööriista kunagi järelevalveta.** Lülitage toide välja. Ärge jätke tööriista järelevalveta enne, kui see on täielikult seiskunud.
4. **Ärge töötage saega, mille piirded ei ole omal kohal.** Enne igakordset kasutamist kontrollige terakaitse õiget sulgemist. Ärge töötage saega, kui terakaitse ei liigu vabalt ega sulgu kohe. Ärge kunagi kinnitage terakaitse klambri ega siduge seda avatud asendisse.
5. **Hoidke käed saetera liikumisel eemal.** Vältige kokkupuudet vabakäigul liikuva saeteraga. See võib põhjustada raske kehavigastuse.
6. **Vigastusohu vähendamise viige kelk pärast iga ristlõiget lõpuni tagumisse asendisse.**
7. **Enne tööriista kandmist fikseerige kõik liikuvad osad.**

8. Lukustustihvt või -hoob, mis lukustab sae, on ette nähtud ainult kandmiseks ja hoiustamiseks ega ole mõeldud löiketoimingute ajal kasutamiseks.
 9. Enne toimingut kontrollige hoolikalt, et saeteral poleks mõrasid ega kahjustusi. Vahetage mõranenud või kahjustunud saetera kohe välja. Kõvastunud kumm ja puuvaik saeteradest aeglustab sae tööd ning suurendab tagasilöögi tekkimise võimalust. Saetera puhastamiseks eemaldage see esmalt tööriista küljest, seejärel puhastage seda kummi- ja puuvaigu eemaldusvahendi, kuuma vee või petrooleumiga. Ärge puhastage saetera bensiiniga.
 10. Liuglõikamisel võib toimuda TAGASILÖÖK. TAGASILÖÖK toimub, kui saetera jääb lõikamise ajal töödeldavasse esemesse kinni ja saetera liigub kiirelt operaatori poole. Tulemuseks võib olla juhitavuse kaotamine ja raske kehavigastus. Kui saetera hakkab lõikamise ajal kinni jääma, ärge jätkake lõikamist ja vabastage kohe lüliti.
 11. Kasutage ainult äärikuid, mis on mõeldud kasutamiseks koos selle tööriistaga.
 12. Olge ettevaatlik, et mitte kahjustada võlli, äärikuid (eriti paigalduspinda) ega polti. Nende osade kahjustused võivad põhjustada saetera purunemise.
 13. Veenduge, et pöördalus oleks õigesti kinnitatud, nii et see töötamise ajal ei liiguks. Kasutage alusel olevaid avasid, et kinnitada saag stabiilse tööplatvormi või -pingi külge. ÄRGE kunagi kasutage tööriista, kui operaatori asend on ebaloomulik.
 14. Enne lüliti sissevajutamist veenduge, et võllilukk oleks vabastatud.
 15. Veenduge, et saetera ei puudutaks oma kõige madalamas asendis pöördalust.
 16. Hoidke kindlalt käepidemest. Pange tähele, et käivitamisel ja seiskamisel liigub saag veidi üles või alla.
 17. Veenduge enne lüliti sisselülitamist, et saetera ei puutuks vastu töödeldavat eset.
 18. Enne tööriista kasutamist päris töödeldaval esemel laske sellel veidi aega töötada. Jälgige vibratsiooni ja vibamist, sest see võib anda märku väärast paigaldusest või halvasti tasakaalustatud saeterast.
 19. Kui märkate midagi ebaharilikku, peatage töö viivitamatult.
 20. Ärge püüdke lukustada päästikut sisselülitatud (ON) asendis.
 21. Kasutage alati selles kasutusjuhendis soovitatud tarvikuid. Sobimatute tarvikute, nagu sobimatute abrasiivketaste, kasutamine võib põhjustada kehavigastuse.
 22. Mõned materjalid võivad sisaldada mürgiseid aineid. Võtke meetmed tolmu sissehingamise ja nahaga kokkupuutumise vältimiseks. Jälgige materjali tarnija ohutusteavet.
- Töötuld puudutavad lisaohutusnõuded
1. Ärge vaadake otse valgusesse ega valgusallikat.

HOIDKE JUHEND ALLES.

⚠ HOIATUS: ÄRGE UNUSTAGE järgida toote ohutusnõudeid mugavuse või toote (korduskasutamise saavutatud) hea tundmise tõttu. VALE KASUTUS või kasutusjuhendi ohutuseeskirjade eiramine võib põhjustada tervisekahjustusi.

OSADE KIRJELDUS

► Joon.2

1	Reguleerimiskruvi (alumine piirasend)	2	Stopperlattu	3	Tolmukott	4	Tiibmutter (kelgu libistamiseks)
5	Osuti (kaldenurgale)	6	Kaldenurga skaala	7	Liugvarras	8	Vertikaalne kinnitusrakis
9	Liugpiire	10	0° reguleerimispoltt (kaldenurgale)	11	Juhtpiire	12	Alumine alus
13	Pöördalus	14	Eerunginurga skaala	15	Osuti (eerunginurgale)	16	Otsamislaud
17	Reguleerimispoltt (pöördalusele)	18	Lukustushoob (pöördalusele)	19	Käepide (pöördalusele)	20	Tolmukoguri kaitse
21	Terakaitse	22	Lamp	23	Käepide (töö ajaks)	24	Lüliti päästik
25	Ava tabaluku jaoks	26	Lukust avamise nupp	27	Kandekäepide	-	-

► Joon.3

1	Lambi lüliti	2	Võllilukk	3	Reguleerimispoltt (maksimaalne saagimisjõudlus)	4	Lukustustihvt (kelgu tõstmiseks)
5	Paigaldusplaat	6	Kuuskantvõti	7	45° reguleerimispoltt (kaldenurgale)	8	Hoob (kaldenurgale)
9	Vabastusnupp (kaldenurgale)	-	-	-	-	-	-

PAIGALDAMINE

Paigaldamine lauale

▲HOIATUS: Veenduge, et masin ei liiguks tugipinnal. Kui eeringisaag liigub saagimise ajal tugipinnal, võib see lõppeda kontrolli kaotamisega seadme üle ja tõsise vigastusega.

1. Kinnitage alus poltidega tasasele ja kindlale pinnale. See aitab vältida kummulininekut ja võimalikke vigastusi.
▶ **Joon.4:** 1. Polt 2. Kinnitusava
2. Keerake reguleerimispolti päri- või vastupäeva, et see puudutaks tööriista stabiilsena hoidmiseks põrandapinda.
▶ **Joon.5:** 1. Reguleerimispol

FUNKSIONAALNE KIRJELDUS

▲HOIATUS: Kandke alati hoolt selle eest, et tööriist oleks enne reguleerimist ja kontrollimist välja lülitatud ja vooluvõrgust eemaldatud. Kui masin ei ole välja lülitatud ja vooluvõrgust välja tõmmatud, võib see lõppeda ootamatust käivitumisest põhjustatud tõsise vigastusega.

Käepideme lukk

▲ETTEVAATUST: Kinnitustihvti vabastamisel hoidke alati käepidemest. Muidu paiskuvad käepideme vedrud välja ja võivad põhjustada kehavigastuse.

Tööriista tarnimisel on käepide lukustustihvti abil langetatud asendisse lukustatud. Käepideme avamiseks tõmmake lukustustihvti, samal ajal käepidet veidi langetades.

▶ **Joon.6:** 1. Lukustustihvt

Libistamislukk

Kelgu liugliikumise võimaldamiseks keerake latil olev tiibmutter lahti. Kelgu liugliikumise lukustamiseks viige kelk soovitud kohta ja seejärel keerake tiibmutter tugevalt kinni.

▶ **Joon.7:** 1. Tiibmutter 2. Latt

Terakaitse

▲HOIATUS: Ärge inaktiveerige ega eemaldage terakaitset või kaitsme küljes olevat vedru. Katmata ketassaetera võib kaitsme puudumise tõttu põhjustada töö ajal raskeid kehavigastusi.

▲HOIATUS: Ärge mitte kunagi kasutage tööriista, kui terakaitse või vedru on kahjustunud, defektne või eemaldatud. Katkise, rikkis või eemaldatud kaitsmega tööriista kasutamine võib lõppeda raske kehavigastusega.

▲ETTEVAATUST: Ohutu töötamise huvides hoidke terakaitse alati heas seisukorras. Lõpetage kohe töötamine, kui terakaitseme on midagi valesti. Kontrollige terakaitseme tagasitõmbevedru töökorda.

Käepideme langetamisel tõuse terakaitse automaatselt. Kaitse on varustatud tagasitõmbevedruga, naastes pärast lõike tegemist ja käepideme tõstmist oma algsele kohale.

▶ **Joon.8:** 1. Terakaitse

Puhastamine

Kui läbipaistev terakaitse määrub või sellele koguneb saepuru, mis halvendab ketassaetera ja/või tööeldava eseme nähtavust, lahutage tööriist toitevõrgust ja puhastage kaitset hoolikalt niiske lapiga. Ärge kasutage plastkaitsmel lahusteid ega naftapõhiseid puhastusvahendeid, sest need võivad kaitset kahjustada. Puhastamiseks järgige samm-sammult esitatud ettevalmistamise juhiseid.

1. Tööriist peab olema välja lülitatud ja toiteallikast lahutatud.
2. Keerake kuuskantpesapolti kaasas oleva kuuskantvõtmega ja hoidke samal ajal keskmist katet.
3. Tõstke terakaitse ja keskmine kate üles.
4. Kui puhastamine on lõpetatud, viige keskmine kate tagasi oma kohale ja pingutage kuuskantpesapolti, korrates eeltoodud toiminguid vastupidises järjestuses.
▶ **Joon.9:** 1. Kuuskantvõti 2. Kuuskant-pesapeapolt 3. Keskmine kate 4. Terakaitse

▲HOIATUS: Ärge eemaldage terakaitset kinni hoidvat vedru. Kui kaitse on UV-kiirguse või vananemise tõttu kahjustunud, võtke ühendust Makita teeninduskeskusega, et uus hankida. **ÄRGE PÕÖRAKE KAITSET KÕRVALE EGA EEMALDAGE SEDA.**

Otsamislaudade paigutamine

Sellel tööriistal on pöördalusel olevad otsamislaudad, mis minimeerivad lõike väljumiskülje rebimist. Otsamislaudad on tehases reguleeritud nii, et ketassaetera ei puutuks nende vastu. Enne kasutamist reguleerige otsamislaudu järgmiselt:

1. Veenduge, et tööriist oleks toiteallikast lahutatud. Seejärel keerake kõik otsamislaudu kinni hoidvad kruvid lahti (3 tk vasakul ja paremal).
▶ **Joon.10:** 1. Otsamislaud 2. Kruvi
2. Kinnitage need uuesti ainult sel määral, et otsamislaudu saab kergesti käega liigutada.
3. Langetage käepide madalaimasse asendisse ja lukustage see seejärel kinnitustihvti abil madalaimas asendis.
4. Keerake lahti latil olev tiibmutter, mis fikseerib kelgu liugliikumise.

Tõmmake kelk lõpuni enda poole.

▶ **Joon.11:** 1. Tiibmutter 2. Latt

5. Reguleerige otsamislaudu nii, et need oleksid saetera hammaste külgede lähedal.
▶ **Joon.12**
- ▶ **Joon.13:** 1. Ketassaetera 2. Tera hammas 3. Otsamislaud 4. Vasakpoolne fassetlõige 5. Sirgloikus

- Kinnitage eesmised kruvid (ärge keerake kõvasti kinni).
- Libistage kelk otsamislaudade esiosa ja juhtpiirete vahele. Reguleerige otsamislaudu nii, et need oleksid saetera hammaste külgedel lähedal.
- Kinnitage keskmised kruvid (ärge keerake kõvasti kinni).
- Lükake kelk lõpuni juhtpiirete poole ja reguleerige seejärel otsamislaudu nii, et need oleksid saetera hammaste külgedel lähedal.
- Kinnitage tagumised kruvid (ärge keerake kõvasti kinni).
- Vabastage käepideme luku lukustustihvt ja tõstke käepidet. Seejärel keerake kõik kruvid tugevalt kinni.

TÄHELEPANU: Pärast kaldenurga seadistamist veenduge, et otsamislaudad oleksid korralikult seadistatud. Otsamislaudade õige seadistamine aitab tagada töödeldavale esemele korraliku toe ja minimeerida selle purunemisohu.

Maksimaalse saagimisjõudluse tagamine

Masina tehaseseadistus võimaldab 216 mm ketassaeteraga saagimisel maksimaalset saagimisjõudlust. Uue ketassaetera paigaldamisel kontrollige alati tera alumist piirasendit ja vajaduse korral reguleerige seda järgmiselt.

- Lahutage tööriist vooluvõrgust. Seejärel lükake kelk lõpuni juhtpiirede suunas ja viige käepide täiesti alla.
- Keerake reguleerimispolti kuuskantvõtmega (kravikeerajapool), kuni ketassaetera on liikunud kergelt juhtpiirde ja pöördaluse ülapinna vahelise ristumiskoha alla.
► **Joon.14:** 1. Reguleerimispoltt 2. Juhtpiire
► **Joon.15**
- Pöörake ketassaetera käega, hoides samal ajal käepidet täiesti all, et ketassaetera ei puutuks vastu aluse ühtki osa. Vajaduse korral reguleerige maksimaalset lõikevõimsust uuesti.

⚠HOIATUS: Pärast uue ketassaetera paigaldamist ja tööriista lahutamist toiteallikast veenduge alati selles, et ketassaetera ei puutuks vastu aluse ühtki osa, kui käepide on täielikult alla viidud. Ketassaetera kokkupuude alusega võib kaasa tuua tagasilöögi ja põhjustada raskeid kehavigastusi.

► **Joon.16**

Stopperlati

Saetera alumist piirasendit saab stopperlati abil hõlpsasti reguleerida. Alumise piiri reguleerimiseks keerake stopperlati noole suunas, nagu joonisel on näidatud. Seejärel keerake reguleerimiskruvi nii, et käepideme täielikul langetamisel madalaimasse asendisse peatuks saetera soovitud asendis.

► **Joon.17:** 1. Stopperlati 2. Reguleerimiskruvi

Eerunginurga reguleerimine

⚠ETTEVAATUST: Pärast eerunginurga reguleerimist kinnitage eerungiplaat pideme abil alati korralikult.

TÄHELEPANU: Eerungiplaadi keeramisel tõstke käepide kindlasti kõrgeimasse asendisse.

Pöördaluse vabastamiseks keerake käepidet vastu päeva. Pöördaluse liigutamiseks keerake käepidet ja hoidke samal ajal lukustushooba üleval. Viige osuti skaalal kohakuti soovitud nurgaga ja keerake seejärel käepide kinni.

► **Joon.18:** 1. Lukustushoob 2. Käepide 3. Osuti

Positiivse seisamise funktsioon

Eerungisael on positiivse seisamise funktsioon. Teil on võimalik seadistada kiirelt 0°, 15°, 22,5°, 31,6° ja 45° parem-/vasakpoolset eerunginurka. Selle funktsiooni kasutamiseks viige pöördalus soovitud positiivse seisamise nurga lähedale, hoides lukustushooba samal ajal üleval. Seejärel vabastage lukustushoob ja viige pöördalus soovitud positiivse seisamise nurgale, kuni pöördalus on lukustunud.

Kaldenurga reguleerimine

⚠ETTEVAATUST: Pärast kaldenurga reguleerimist kinnitage latt alati, keerates hooba päripäeva.

TÄHELEPANU: Enne kaldenurga reguleerimist eemaldage alati vertikaalne kinnitusrakis.

TÄHELEPANU: Ketassaetera kallutamisel tõstke kelk täielikult üles.

TÄHELEPANU: Kaldenurga muutmisel veenduge, et asetaksite otsamislaudad nii, nagu on kirjeldatud jaotises otsamislaudade paigaldamise kohta.

TÄHELEPANU: Ärge pingutage hooba liiga tugevalt. See võib põhjustada kaldenurga lukustusmehhanismi rikke.

Ketassaetera kallutamine vasakule 0–45°

- Keerake hooba vastupäeva.
- Hoidke käepidemest kinni ja kallutage kelku vasakule.
- Viige osuti kaldenurga skaalal kohakuti soovitud nurgaga.
- Lati fikseerimiseks pingutage hooba päripäeva.
► **Joon.19:** 1. Hoob 2. Käepide 3. Osuti
4. Kaldenurga skaala

Ketassaetera kallutamine üle vasakpoolse 0–45°

1. Keerake hooba vastupäeva.
2. Hoidke käepidet ja seadke kelk 0° alla parempoolsel 2° küljel või 45° alla vasakpoolsel 47° küljel.
3. Kallutage kelk kergelt vastasküljele.
4. Vajutage vabastusnuppu.
5. Kallutage kelk üle vahemiku 0–45° soovitud asendisse.
6. Lati fikseerimiseks pingutage hooba päripäeva.

Kelgu kallutamisel paremale 2°

- **Joon.20:** 1. Hoob 2. Käepide 3. Vabastusnupp

Kelgu kallutamisel vasakule 47°

- **Joon.21:** 1. Hoob 2. Käepide 3. Vabastusnupp

Lüliti funktsioneerimine

▲HOIATUS: Kontrollige alati enne tööriista vooluvõrku ühendamist, kas lüliti päästik funktsioneerib nõuetekohaselt ja liigub lahtilaskmisel tagasi väljalülitatud asendisse. Ärge tõmmake lüliti päästikut tugevasti ilma lahtilukustusnuppu vajutamata. See võib põhjustada lüliti purunemise. Tööriista juhtimine lüliti abil, mis ei toimi korralikult, võib kaasa tuua kontrolli kaotamise sae üle ja põhjustada tõsiseid vigastusi.

▲HOIATUS: ÄRGE KUNAGI kasutage tööriista, kui lüliti päästik ei ole täielikus töökorras. Mis tahes masin, mille lüliti on korrast ära, on ÜLMALT OHTLIK ja vajab enne edasist kasutamist remonti, sest muidu võite saada tõsiselt vigastada.

▲HOIATUS: Lahtilukustusnupu fikseerimine kleepklindi vms-ga on KEELATUD. Inaktiveeritud lahtilukustusnupuga lüliti võib põhjustada masina soovimatu sisselülitumise, millega kaasnevad tõsised vigastused.

▲HOIATUS: ÄRGE kasutage KUNAGI masinat, kui see käivitub ka siis, kui lahtilukustusnuppu vajutamata vajutate lihtsalt lüliti päästikut. Remonti vajav lüliti võib põhjustada masina soovimatu sisselülitumise, millega kaasnevad tõsised vigastused. ENNE edasist kasutamist viige masin parandamiseks Makita teeninduskeskusesse.

Lüliti päästiku juhusliku vajutamise vältimiseks on tööriistal blokeerimisnupp. Tööriista käivitamiseks vajutage lahtilukustusnupp sisse ning tõmmake lüliti päästikut. Vabastage lüliti päästik tööriista seiskamiseks. Tööriista lukustamiseks on lüliti päästikul ava, mille külge paigaldatakse tabalukk.

- **Joon.22:** 1. Lüliti päästik 2. Lahtilukustusnupp 3. Ava tabaluku jaoks

▲HOIATUS: Ärge kasutage tabalukku, mille varb või kaabel on väiksema läbimõõduga kui 6,35 mm. Väiksem vars või kaabel ei pruugi tööriista korralikult väljalülitatud asendisse lukustada ja tööriista kogemata käivitamine võib põhjustada tõsiseid vigastusi.

Lõikejoone valamine

▲ETTEVAATUST: Lamp ei ole veekindel. Ärge peske lampi vees ega kasutage seda vihma käes või niiskes kohas. See võib põhjustada elektrilööki ja suitsu eraldumist.

▲ETTEVAATUST: Ärge puudutage lambiklaasi, kuna see on põlemise ajal ja vahetult pärast väljalülitamist väga kuum. See võib põhjustada põletusi.

▲ETTEVAATUST: Ärge lööge vastu lampi, sest lamp võib kahjustada saada või selle kasutisiga lüheneda.

▲ETTEVAATUST: Ärge vaadake otse valgusesse ega valgusallikat.

LED-tuli paistab ketassaeterale ja saetera vari langeb töödeldavale esemele, nii et varju saab kasutada kalibreerimisvaba lõikejoone indikaatorina. Tule põlema panemiseks vajutage lambilüliti. Kohas, kus saetera puutub kokku töödeldava eseme pinnaga, ilmub joon, mis muutub tera langetamisel sügavamaks.

- **Joon.23:** 1. Lambilüliti 2. Lamp 3. Lõikejoon

Indikaator aitab lõigata läbi olemasoleva läbilõikejoone, mis on pliitsiga toorikule tõmmatud.

1. Hoidke käepidemest kinni ja langetage ketassaetera alla, nii et töödeldavale esemele ilmuks saetera tume vari.
2. Joondage toorikule tõmmatud läbilõikejoon varjutatud lõikejoonega.
3. Reguleerige vajaduse korral eeringi- ja fassetnurki.

MÄRKUS: Pärast kasutamist lülitage lamp välja. Muidu jääb lamp kuumaks.

KOKKUPANEK

▲HOIATUS: Enne masina hooldamist lülitage see kindlasti välja ja eemaldage vooluvõrgust. Kui masin jääb välja lülitamata ja vooluvõrgust eemaldamata, võib see põhjustada raskeid vigastusi.

Kuuskantvõtme hoiepaneel

Kui kuuskantvõtit ei kasutata, pange see kaotamise vältimiseks joonisel näidatud viisil hoiele.

- **Joon.24:** 1. Kuuskantvõti

Ketassaetera paigaldamine või eemaldamine

⚠️HOIATUS: Kandke alati hoolt selle eest, et tööriist oleks enne ketassaetera eemaldamist või paigaldamist välja lülitatud ja toiteallikast lahutatud. Tööriista juhuslik käivitamine võib põhjustada raskeid kehavigastusi.

⚠️HOIATUS: Kasutage ketassaetera paigaldamiseks või eemaldamiseks ainult Makita mutrivõtit. Kui võtit ei kasutata, siis võib selle tulemus olla liiga kõvasti või liiga lõdvalt kinni keeratud kuuskantpesapolt ning tõsine vigastus.

⚠️HOIATUS: Ärge kunagi kasutage osi ega asendage osadega, mis ei ole selle tööriistaga kaasas. Selliste osade kasutamine võib lõppeda tõsiste kehavigastustega.

⚠️HOIATUS: Pärast ketassaetera paigaldamist veenduge alati, et see oleks korralikult kinnitatud. Ketassaetera lahtihaakimine võib lõppeda tõsiste kehavigastustega.

Üldised ettevaatusabinõud ketassaetera paigaldamisel või eemaldamisel

1. Vabastage kelk lukust, tõmmates lukustustihvti, seejärel viige kelk tõstetud asendisse.
2. Keerake keskmist katet kinni hoidev kuuskantpesapolt kuuskantvõtmega lahti. Seejärel tõstke terakaitse ja keskmine kate üles.
▶ **Joon.25:** 1. Kuuskantvõti 2. Kuuskantpesapolt 3. Keskmine kate 4. Terakaitse

Ketassaetera paigaldamine

⚠️ETTEVAATUST: Paigaldage kindlasti ketassaetera nii, et noole suund ketassaeteral vastaks terakorpusel oleva noole omale. Muidu võib tagajärjeks olla kehavigastus ja tööriista ja/või töödeldava detaili kahjustumine.

1. Tehke läbi sammud, mida kirjeldatakse jaotises „Üldised ettevaatusabinõud ketassaetera paigaldamisel või eemaldamisel“.
2. Vajutage võlli lukustamiseks võllilukku ja keerake kuuskantpesapolt kuuskantvõtmega päripäeva lahti. Seejärel eemaldage kuuskantpesapolt, välisäärik ja ketassaetera.
▶ **Joon.26:** 1. Kuuskantpesapolt (vasakkeermega) 2. Välisäärik 3. Võllilukk
3. Paigaldage ketassaetera tera ettevaatlikult sisemisele äärikule. Veenduge, et ketassaetera pinnal oleva noole suund langeks kokku terakorpusel oleva noole suunaga.
▶ **Joon.27:** 1. Nool
4. Paigaldage välisäärik ja kuuskant-pesapolt. Pingutage kuuskant-pesapolti (vasakpoolne) kuuskantvõtmega vastupäeva, surudes samal ajal võllilukule.
▶ **Joon.28:** 1. Kuuskantpesapolt (vasakkeermega) 2. Välisäärik 3. Ketassaetera 4. Rõngas 5. Siseäärik 6. Spindel
▶ **Joon.29:** 1. Kuuskantpesapolt (vasakkeermega) 2. Välisäärik 3. Võllilukk

5. Viige terakaitse ja keskmine kate tagasi algasendisse. Seejärel keerake keskmise kate kuuskantpesapolti selle fikseerimiseks.

Langetage kelk ja veenduge terakaitse korralikus liikumises.

- ▶ **Joon.30:** 1. Kuuskantvõti 2. Kuuskantpesapolt 3. Keskmine kate 4. Terakaitse

Ketassaetera eemaldamine

1. Tehke läbi sammud, mida kirjeldatakse jaotises „Üldised ettevaatusabinõud ketassaetera paigaldamisel või eemaldamisel“.
2. Spindli lukustamiseks vajutage võllilukku. Lõdvendage kuuskant-pesapolt, keerates seda kuuskantvõtmega päripäeva. Seejärel eemaldage kuuskant-pesapolt, välisäärik ja ketassaetera.
▶ **Joon.31:** 1. Kuuskantpesapolt (vasakkeermega) 2. Välisäärik 3. Võllilukk
3. Kui siseäärik on eemaldatud, paigaldage see spindlile nii, et tera paigaldusosa jääks ketassaetera poole. Ääriku vale paigaldamise korral hakkab see vastu masinat hõõrduma.
▶ **Joon.32:** 1. Kuuskantpesapolt (vasakkeermega) 2. Välisäärik 3. Ketassaetera 4. Rõngas 5. Siseäärik 6. Spindel

TÄHELEPANU: Olge ettevaatlik, et eemaldatud välisäärik ja kuuskant-pesapolt kaduma ei läheks.

Tolmuimeja ühendamine

Kui soovite puhtamalt lõigata, ühendage tööriista külge Makita tolmuimeja.

TÄHELEPANU: Sõltuvalt tolmuimeja tüübist ja kasutatavast voolikust võib tolmu kogumislülitnik olla tolmu koguri kaitsme tõttu ummistunud, mis tõttu ei saa tolmu koguda. Sellisel juhul vähendage tolmuimeja imemisvõimsust.

- ▶ **Joon.33:** 1. Tolmu koguri kaitse

Tolmukott

⚠️ETTEVAATUST: Kinnitage lõikamise ajaks tööriista külge alati tolmu kott või ühendage sellega tolmuimeja, et vältida tolmu seotud ohte.

Tolmukoti kasutamine muudab lõikamistö puhtaks ja kergendab tolmu kogumist. Tolmukoti kinnitamiseks ühendage tolmu kott tolmutsakule.

- ▶ **Joon.34:** 1. Tolmukott 2. Tolmu tsak

Kui tolmu kott on umbes poolenisti täis, eemaldage see tööriista küljest ja tõmmake kinnitusvahend välja. Tühjendage tolmu kott, koputage seda kergelt, et eemaldada külgedele kinnitunud osakesed, mis võivad takistada edasist tolmu kogumist.

- ▶ **Joon.35:** 1. Kinnitusvahend

Töödeldava detaili fikseerimine

▲HOIATUS: Äärmiselt oluline on fikseerida töödeldav ese alati korrektselt õiget tüüpi kinnitusrakisega. Muidu võib tulemuseks olla tõsine vigastus ja masina ja/või töödeldava eseme kahjustamine.

▲HOIATUS: Saetera ei tohi pärast saagimist tõsta üles enne, kui see on täielikult seiskunud. Pöörleva saetera ülestõstmine võib põhjustada raskeid kehavigastusi ja kahjustada töödeldavat eset.

▲HOIATUS: Eerungisae tugialusest pikema eseme saagimisel tuleb eseme tugialusest üleulatu osa täies pikkuses toetada, tagades sealjuures eseme rõhtsuse samal kõrgusel. Töödeldava eseme korralik toetamine hoiab ära lõiketera kiilumise ja võimalikud tagasilöögid, mis võivad kaasa tuua raskeid kehavigastusi. Ärge loote töödeldava eseme kinnitamisel ainult vertikaalsele kinnitusrakisele. Õhukesed materjalid kipuvad läbi vajuma. Toestage töödeldav ese täies pikkuses, et vältida lõiketera kiilumise ja võimalikku TAGASILÖÖKI.

► **Joon.36:** 1. Tugi 2. Eerungiplaat

Juhtpiirded

▲HOIATUS: Enne tööriista kasutamist veenduge, et liugpiire oleks kinnituskruviga tugevasti fikseeritud.

▲HOIATUS: Veenduge enne fassettlõikamist, et tööriista ükski osa, eelkõige ketassaetera, ei satuks käepideme täielikul langetamisel ja tõstmisel üheski asendis ega kelgu liigutamisel selle kogu käigutee ulatuses kokkupuutesse piiretega. Kui tööriist või ketassaetera puudutab piiret, võib see põhjustada tagasilöögi või materjali ootamatu liikumise ning raske kehavigastuse.

See tööriist on varustatud liugpiirdega. Vasakpoolsel fassettlõikamisel keerake kinnituskruvi lahti ja liugutage liugpiiret nii, et see ei takistaks kelgu liikumist. Fikseerige liugpiire, keerates kinnituskruvi kinni.

► **Joon.37:** 1. Liugpiire 2. Juhtpiire 3. Kinnituskruvi

Vertikaalne kinnitusrakis

▲HOIATUS: Töödeldav detail peab kõikide tööetappide käigus olema kinnitusrakise abil tugevasti pöörduluse ja juhtpiirde külge kinnitatud. Kui töödeldav ese pole korralikult vastu piiret fikseeritud, võib ese saagimise käigus hakata liikuma ja kahjustada saetera, millega võib kaasneda eseme eemalpaiskumine, kontrolli kaotus masina üle ning tõsised vigastused.

Vertikaalse kinnitusrakise saab paigaldada aluse vasakul küljel, aluse paremal küljel või alumise aluse vasakul küljel olevatesse avadesse.

Suruge töödeldav detail tasaselt vastu juhtpiiret ja eerungiplaati. Asetage töödeldav detail soovitud lõikeasendisse ja fikseerige, keerates kinnitusrakise nupu tugevasti kinni. Veenduge, et käepideme täielikul langetamisel ei puutuks ükski tööriista osa vastu vertikaalset kinnitusrakist. Kui mõni osa puutub vastu vertikaalset kinnitusrakist, paigutage vertikaalne kinnitusrakis ümber.

► **Joon.38:** 1. Ava 2. Kinnitusrakise nupp

Alumine alus

▲HOIATUS: Saagimistäpsuse tagamiseks ja masina üle kontrolli kaotamise vältimiseks toestage pikad töödeldavad esemed alati nõnda, et need oleksid pöörduluse pealispinnaga tasa. Töödeldava eseme korralik toetamine hoiab ära saeketta kiilumise ja võimalikud tagasilöögid, mis võivad kaasa tuua tõsiseid vigastusi.

▲HOIATUS: Enne lõikamist tuleb alati veenduda, et alumised alused oleksid korralikult tiibmutritega fikseeritud.

Pikkade töödeldavate esemete horisontaalselt hoidmiseks on tööriista mõlemal küljel alumised alused. Lõdvendage tiibmutrid ja pikendage alumised alused töödeldava eseme pikkusele sobivaks. Seejärel keerake tiibmutrid kinni.

► **Joon.39:** 1. Alumine alus 2. Tiibmutter

Lõikamisel asetage toorik ühetasaselt vastu juhtpiireid.

► **Joon.40:** 1. Juhtpiire 2. Alumine alus

TÖÖRIISTA KASUTAMINE

See tööriist on mõeldud puudist toodete saagimiseks. Sobivate Makita originaalsaeteradega saab saagida ka järgmisi materjale:

— alumiiniumtooted.

Lõikamiseks kasutatavate õigete saekettade leidmiseks vaadake meie veebilehte või pöörduge kohaliku Makita edasimüüja poole.

▲HOIATUS: Veenduge, et saetera ei puutuks enne tööriista sisselülitamist vastu töödeldavat eset jne. Masina sisselülitamine juhul, kui saetera on töödeldava esemega kokkupuutes, võib põhjustada tagasilööke ja raskeid kehavigastusi.

▲HOIATUS: Saetera ei tohi pärast saagimist tõsta üles enne, kui see on täielikult seiskunud.

Pöörleva saetera ülestõstmine võib põhjustada raskeid kehavigastusi ja kahjustada töödeldavat eset.

▲HOIATUS: Ärge reguleerige seadet (käepideme, nupu, hoobade keeramine) saetera pöörlemise ajal. Saetera pöörlemise ajal reguleerimine võib põhjustada raske kehavigastuse.

▲ETTEVAATUST: Ärge vabastage saepead kontrollimatult täielikult alumises asendis. Kontrollimatu saepea võib teid lüüa ja tekitada kehavigastusi.

TÄHELEPANU: Enne kasutamist vabastage kindlasti lukustustihvt ja vabastage käepide langetatud asendist.

TÄHELEPANU: Ärge avaldage käepidemele löikamisel liigset survet. Ülemäärane surve võib põhjustada mootori ülekoormust ja/või vähendada löikamise tõhusust. Suruge käepide alla ainult sujuva löikamise tagamiseks tarviliku jõuga ja nii, et tera kiirus oluliselt ei väheneks.

TÄHELEPANU: Löikamiseks vajutage käepide õrnalt alla. Kui käepidet suruda liiga tugevasti või kui rakendatakse külgsuunalist jõudu, võib saetera hakata vibreerima ja jätta töödeldavale esemele täkke (saetäkke) ning löike täpsus võib väheneda.

TÄHELEPANU: Liuglöikamisel lükake kelku peatamata õrnalt juhtpiirde poole. Kui kelk löike teostamise ajal peatada, siis jääb töödeldavale detailile täke ning lõiketäpsus väheneb.

Presslöikamine

⚠HOIATUS: Presslöikamise ajal lukustage alati kelgu liugliikumine. Löikamine ilma lukustamata võib põhjustada tagasilööke, mis võivad kaasa tuua tõsiseid vigastusi.

Kuni 65 mm kõrguseid ja 80 mm laiuseid detaile saab saagida järgneval viisil.

1. Suruge kelku kuni lõpuni juhtpiirde poole ja lukustage tiibmutriga.
 2. Kinnitage töödeldav ese õiget tüüpi kinnitusrakisega.
 3. Lülitage masin sisse ja jälgige, et ketassaetera ei puutuks kuskile vastu, ja enne langetamist oodake, kuni ketassaetera saavutab täiskiruse.
 4. Detaili löikamiseks lükake käepide ettevaatlikult kõige alumisse asendisse.
 5. Kui lõige on tehtud, lülitage tööriist välja ja oodake ketassaetera täieliku peatumiseni, enne kui viite selle tagasi ülestõstetud asendisse.
- **Joon.41:** 1. Tiibmutter

Liuglöike (presslöike) tegemine (laiade detailide löikamine)

⚠HOIATUS: Liugsaagimisel tömmake kelk esmalt lõpuni enda poole ja vajutage käepide täielikult alla, seejärel lükake kelku juhtkõike poole. Saagimist ei tohi alustada enne, kui olete kelgu täielikult enda poole tõmmanud. Kui teete liugsaagimise ilma kelku täielikult enda poole tagasi tõmbamata, võib toimuda ootamatu tagasilöökk, mis võib tekitada tõsise vigastuse.

⚠HOIATUS: Ärge mingil juhul tehke liugsaagimist kelku enda poole tömmates. Kui tõmbate kelku saagimise ajal enda poole, võib toimuda ootamatu tagasilöökk, mis võib tekitada tõsise vigastuse.

⚠HOIATUS: Liugsaagimist ei tohi teha, kui käepide on lukustatud langetatud asendisse.

1. Lõdvendage tiibmutter nii, et kelk saaks vabalt libiseda.
 2. Kinnitage töödeldav ese õiget tüüpi kinnitusrakisega.
 3. Tõmmake kelk lõpuni enda poole.
 4. Lülitage masin sisse ja jälgige, et ketassaetera ei puutuks kuskile vastu, ja oodake, kuni saetera saavutab täiskiruse.
 5. Vajutage käepide alla ja lükake kelku juhtkõike poole ning läbi töödeldava eseme.
 6. Kui lõige on tehtud, lülitage tööriist välja ja oodake saetera täieliku peatumiseni, enne kui viite saetera tagasi täielikult ülestõstetud asendisse.
- **Joon.42:** 1. Tiibmutter

Kaldlöikamine

Juhinduge lõigust „Eerunginurga reguleerimine”.

Fassettlöikamine

⚠HOIATUS: Kui olete saetera fassettlöikamiseks valmis seadnud, veenduge enne tööriista kasutamist selles, et kelgu ja saetera liikumisteed on oleks kogu kavandatava saagimise ulatuses vaba. Kelgu või saetera liikumise katkestamine saagimise käigus võib põhjustada tagasilöögi ja kaasa tuua raske kehavigastuse.

⚠HOIATUS: Hoidke käed fassettlöikamise ajal saetera liikumisulatuses eemal. Saetera nurk võib saetera tegelikku teekonda saagimise käigus kasutaja eest varjata ning kokkupuude saeteraga põhjustab raske kehavigastuse.

⚠HOIATUS: Saetera ei tohi tõsta enne selle täielikku seiskumist. Fassettlöikamise käigus võib maha saetud tükk jääda toetuma vastu saetera. Kui saetera tõstetakse üles pöörlemise ajal, võib saetera tüki eemale paisata, põhjustades materjali purunemise ning tekitades raske kehavigastuse ohu.

TÄHELEPANU: Käepideme alla vajutamisel avaldage saeteraga paralleelset survet. Kui pöördalusele püstjalt survet avaldada või kui surve suunda saagimise ajal muuta, siis väheneb saagimise täpsus.

1. Seadke liugpiire vasakule, et takistada kelgu kokkupuudet.
 2. Vabastage lukustustihvt ja latil olev tiibmutter nii, et kelku oleks võimalik tõsta ja vabalt libistada.
 3. Reguleerige kaldenurka nii, nagu kirjeldatakse kaldenurga reguleerimise jaotises. Seejärel keerake käepide kinni.
 4. Fikseerige töödeldav detail kinnitusrakise abil.
 5. Tõmmake kelk lõpuni enda poole.
 6. Lülitage tööriist sisse, ilma et ketassaetera kuskile vastu puutuks, ja oodake, kuni ketassaetera saavutab täiskiruse.
 7. Langetage käepide täiesti alla, avaldades samal ajal ketassaeteraga paralleelset survet, ning lükake kelku töödeldava eseme löikamiseks juhtpiirde poole.
 8. Kui lõige on tehtud, lülitage tööriist välja ja oodake ketassaetera täieliku peatumiseni, enne kui viite saetera tagasi täielikult ülestõstetud asendisse.
- **Joon.43**

Liitlõikamine

Liitlõikamine kujutab endast töödeldava detaili samaaegset kaldlõikamist ja eeringunurga lõikamist. Liitsaagimist saab teha tabelis näidatud nurga all.

Eeringunurk	Fassettnurk
Vasak ja parem 0° - 45°	Vasak 0-45°

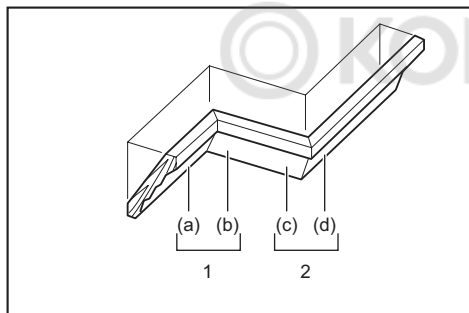
Liitlõike tegemisel juhinduge lõikudest „Presslõikamine”, „Liuglõike (presslõike) tegemine”, „Kaldlõikamine” ja „Fassettlõikamine”.

Kaare- ja nõgusprofiili freesimine

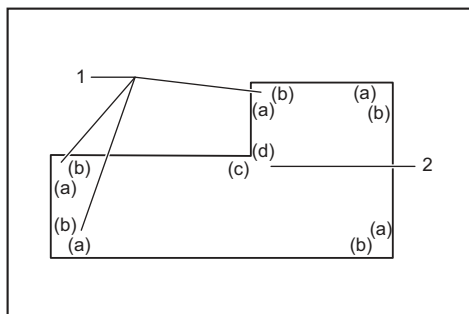
Kaare- ja nõgusprofiile saab freesida liuglõike eeringusaaga, kui profiilid on asetatud eeringualusele lapile. Kaare vigurprofiili lõikamiseks on kaks ja nõgusprofiili lõikamiseks üks võimalus; 52/38° kaareprofiili lõikamine, 45° kaareprofiili lõikamine ning 45° nõgusprofiili lõikamine.

► **Joon.44:** 1. 52/38° kaareprofiil 2. 45° kaareprofiil 3. 45° nõgusprofiil

On olemas kaare- ja nõgusprofiilide ühendused, mis sobivad 90° sisenurkadesse ((a) ja (b) joonisel) ja 90° välisnurkadesse ((c) ja (d) joonisel).



1. Sisenurk 2. Välisnurk



1. Sisenurk 2. Välisnurk

Mõõtmine

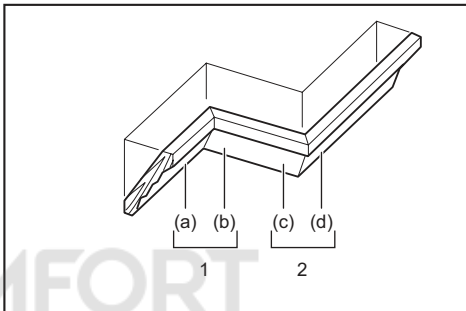
Mõõtkte seina laiust ja reguleerige selle järgi töödeldava detaili laiust. Veenduge alati, et töödeldava detaili seinapoolse serva laius oleks sama nagu seina pikkus.

► **Joon.45:** 1. Töödeldav detail 2. Seina laius 3. Töödeldava detaili laius 4. Seinapoolne serv

Kasutage proovisaagimiseks mitut tükki, et kontrollida saenurki.

Kumer- ja nõgusprofiilide lõikamisel seadke fassettnurk ja eeringunurk tabeli (A) järgi ning seadke profiilid tabeli (B) järgi saekorpuse ülemisele pinnale.

Vasakpoolse fassettlõike korral



1. Sisenurk 2. Välisnurk

Tabel (A)

-	Profiili tähis joonisel	Fassettnurk		Eeringunurk	
		52/38° tüüp	45° tüüp	52/38° tüüp	45° tüüp
Sisenurga puhul	(a)	Vasak 33,9°	Vasak 30°	Parem 31,6°	Parem 35,3°
	(b)			Vasak 31,6°	Vasak 35,3°
Välisurga puhul	(c)			Parem 31,6°	Parem 35,3°
	(d)				

Tabel (B)

-	Profiili tähis joonisel	Profiili serv vastu juhtpiiret	Lõpetatud detail
Sisenurga puhul	(a)	Laepoolne serv peab olema vastu juhtpiiret.	Valmis detail asub ketassaetera vasakul küljel.
	(b)	Seinapoolne serv peab olema vastu juhtpiiret.	Valmis detail asub ketassaetera paremal küljel.
Välisurga puhul	(c)	Laepoolne serv peab olema vastu juhtpiiret.	Valmis detail asub ketassaetera vasakul küljel.
	(d)	Seinapoolne serv peab olema vastu juhtpiiret.	Valmis detail asub ketassaetera paremal küljel.

Nt:

52/38° kaareprofiili lõikamine asendis (a) ülaltoodud joonisel:

- Kallutage ja kinnitage fassettnurga seadistuseks 33,9° VASAKULE.
- Reguleerige ja kinnitage eerunginurga seadistuseks 31,6° PAREMALE.
- Asetage kaareprofiil tagumise laiemale (varjatud) küljega eerungiplaadile, nii et LAEPOOLNE SERV jääks sae juhtpiirde vastu.
- Valmistoodet jääb pärast lõikamist ketassaeterast alati VASAKULE.

Alumiiniumprofiilide lõikamine

Alumiiniumprofiilide kinnitamisel kasutage puidust klotse või puidujäätmeid, nagu on näidatud joonisel, et vältida alumiiniumi deformeerumist. Alumiiniumi lõikamisel kasutage määrdeainet, et vältida alumiiniumipuru kogunemist ketassaeterale.

⚠HOIATUS: Ärge üritage saagida pakse ega ümaraid alumiiniumprofiile. Paksude või ümarate alumiiniumprofiilide fikseerimine võib osutada keerukaks, mistõttu need võivad saagimise käigus lahti tulla, põhjustades kontrolli kaotust sae üle ja tõsiseid vigastusi.

- **Joon.46:** 1. Kinnitusrakis 2. Vaheklots 3. Juhtpiire 4. Alumiiniumprofiil 5. Vaheklots

Võrdsete pikkuste lõikamine

Kui on vaja lõigata mitu ühesuguse pikkusega tükki vahemikus 225 mm kuni 350 mm, tõmmake üles paigaldusplaat, nagu on näidatud joonisel.

Fikseerige töödeldav ese lõikamisasendisse. Lükake parempoolne alumine alus nii, et paigaldusplaat oleks töödeldava eseme otsaga tasa. Seejärel fikseerige alumine alus tiibmutriga.

- **Joon.47:** 1. Paigaldusplaat 2. Tiibmutter

Soone lõikamine

⚠HOIATUS: Ärge tehke niisugust saagimist laiemat tüüpi saeketta või soonesaagimiskettaga. Soonesaagimise katsed laiema saeketta või soonesaagimiskettaga võivad kaasa tuua ootamatuid saagimistulemusi ja tagasilööke, mis võivad põhjustada tõsiseid vigastusi.

⚠HOIATUS: Kui teete teistsugust lõiget kui soonelõikamist, siis tooge stopperlatt kindlasti tagasi algasendisse. Kui stopperlatt on vales asendis, võivad saagimiskatsed kaasa tuua ootamatuid tulemusi ja tagasilööke, mis võivad põhjustada tõsiseid vigastusi.

Soonesarnase lõike puhul tegutsege järgmiselt:

1. Reguleerige reguleerimiskruviga ketassaetera alumist piirasendit ja piirake stopperlatiga saetera lõikesügavust. Vaadake lõiku „Stopperlatt”.
2. Saagige pärast ketassaetera alumise piirasendi reguleerimist töödeldavasse detaili laiuti paralleelsed sooned, kasutades liugsaagimist (press-saagimist).
► **Joon.48:** 1. Soonte lõikamine saeteraga
3. Seejärel eemaldage peitliga soontevaheline materjal.

Tööriista kandmine

Enne tööriista teisaldamist tuleb tööriist toiteallikast lahutada ja fikseerida kõik tööriista liikuvad osad.

Kontrollige alati järgmist.

- Tööriist on toiteallikast lahutatud.
- Kelk on 0° fassettnurga all ja fikseeritud.
- Kelk on langetatud ja lukustatud.
- Kelk on viidud täielikult teie suunas ja lukustatud.
- Pöörduvus on lõpuni parema eerunginurga asendis ja fikseeritud.

Tööriista teisaldamisel hoidke käepidemest ja tööriista aluse ühelt küljelt või tööriista aluse mõlemalt küljelt.

► **Joon.49**

► **Joon.50**

⚠HOIATUS: Kelgu töstmise lukustustihvt on mõeldud ainult kandmiseks, hoiulepaneks ja reguleerimiseks, kuid mitte lõikamistöödeks. Lukustustihvti kasutamine saagimistööde ajal võib kaasa tuua ketassaetera ootamatu nihkumise, mis võib põhjustada tagasilöögi ja raske kehavigastuse.

⚠ETTEVAATUST: Enne tööriista kandmist fikseerige alati kõik liikuvad osad. Kui masina osad peaksid selle kandmise ajal nihkuma või libisema, võib see kaasa tuua tasakaalu kaotuse ja põhjustada vigastuse.

⚠ETTEVAATUST: Veenduge, et kelgu töstmise oleks selle allosas korralikult lukustustihvtiga lukustatud. Kui lukustustihvt ei ole korralikult rakenud, võib kelk ootamatult üles hüpata ja tekitada kehavigastusi.

HOOLDUS

⚠HOIATUS: Kandke alati enne kontrolli- või hooldustoimingute tegemist hoolt selle eest, et tööriist oleks välja lülitatud ja vooluvõrgust eemaldatud. Kui masin ei ole välja lülitatud ja vooluvõrgust eemaldatud, võib see lõppeda ootamatult käivitumisest põhjustatud tõsise vigastusega.

⚠HOIATUS: Parima lõikamistulemuse ja ohutuma töö huvides veenduge alati, et saetera oleks terav ja puhas. Nüri ja/või määrduvad saeteraga saagimine võib kaasa tuua tagasilöögi ja põhjustada raskeid kehavigastusi.

TÄHELEPANU: Ärge kunagi kasutage bensiini, vedeldit, alkoholi ega midagi muud sarnast. Selle tulemuseks võib olla liitumine, deformatsioon või pragunemine.

Toote OHUTUSE ja TÕÕKINDLUSE tagamiseks tuleb vajalikud remonttööd ning muud hooldus- ja reguleerimistööd lasta teha Makita volitatud teeninduskeskustes või tehase teeninduskeskustes. Alati tuleb kasutada Makita varuosi.

Lõikenurga reguleerimine

See tööriist on tehases hoolikalt reguleeritud ja joon-
datud, kuid rohmakas käsitsemine võib olla seadistusi
mõjutanud. Kui tööriist pole korralikult joondatud, siis
toimige järgmiselt:

Eerunginurk

1. Lukustage kelk lukustustihvti abil langetatud asen-
dis. Lükake kelku juhtpiirde suunas ja keerake tiibmutter
kelgu fikseerimiseks kinni.
2. Seadke pöördalus positiivse seiskamise funktsio-
ni abil 0° asendisse. (Jätke olemasolevasse asen-
disse, kui osuti ei näita 0°.)
3. Keerake juhtpiiret kinni hoidvad kuuskant-pe-
sapoldid kuuskantvõtmega lahti.
▶ **Joon.51:** 1. Lukustustihvt 2. Tiibmutter
3. Kuuskant-pesapoldid
4. Seadke saetera külg kolmnurk-joonlaua või
nurkraua abil juhtpiirde esiküljega risti. Seejärel keerake
juhtpiirdel olevad kuuskant-pesapoldid järjest kinni,
alustades paremalt küljelt.
▶ **Joon.52:** 1. Juhtpiire 2. Kolmnurk-joonlaud
5. Kui osuti ei näita 0°, siis keerake osutit kinni hoi-
dev kruvi lahti ja reguleerige osutit nii, et see näitaks 0°.
▶ **Joon.53:** 1. Kruvi 2. Osuti 3. Eerungiskaala

Fassettnurk

0° kaldenurk

1. Lukustage kelk lukustustihvti abil langetatud asen-
dis. Lükake kelku juhtpiirde suunas ja keerake tiibmutter
kelgu fikseerimiseks kinni.
2. Lõdvendage hoob. Ketassaetera paremale kallu-
tamiseks keerake 0° reguleerimispoliti seejärel kaks või
kolm pööret vastupäeva.
▶ **Joon.54:** 1. Hoob 2. 0° reguleerimispoliti
3. Seadke saetera serv ettevaatlikult pöördaluse üla-
pinnaga risti, kasutades kolmnurk-joonlauda, nurkrauda
vms, keerates 0° reguleerimispoliti päripäeva. Seejärel
fikseerige 0° nurk, keerates hoova tugevalt kinni.
▶ **Joon.55:** 1. Kolmnurk-joonlaud 2. Saetera
3. Pöördaluse ülapind
4. Kui osuti ei näita 0°, siis keerake osutit kinni hoi-
dev kruvi lahti ja reguleerige osutit nii, et see näitaks 0°.
▶ **Joon.56:** 1. Kruvi 2. Osuti 3. Kaldenurga skaala

45° kaldenurk

TÄHELEPANU: Enne 45° kaldenurga reguleeri-
mist lõpetage 0° kaldenurga reguleerimine.

1. Kelgu fikseerimiseks keerake tiibmutter kinni.
2. Lõdvendage hoob. Seejärel kallutage kelk täieli-
kult vasakule.
▶ **Joon.57:** 1. Tiibmutter 2. Hoob
3. Kontrollige, kas osuti näitab kaldenurga skaalal
45° asendit.
Kui osuti ei näita 45° asendit, viige see 45° reguleeri-
mispoliti keerates 45° asendisse.
▶ **Joon.58:** 1. 45° reguleerimispoliti

Süsiharjade asendamine

Võtke välja ja kontrollige sõecharju regulaarselt.
Asendage sõecharjad utega, kui need on piirmärgiseni
kulunud. Hoidke sõecharjad puhtad, nii on neid lihtne
hoidikutesse libistada. Mõlemad sõecharjad tuleb asen-
dada korraga. Kasutage üksnes identseid sõecharju.
▶ **Joon.59:** 1. Piirmärgis

Kasutage harjahoidikute kaante eemaldamiseks kruvi-
keerajat. Võtke ära kulunud süsiharjad välja, paigaldage
uued ning kinnitage harjahoidikute kaaned tagasi
kohale.

▶ **Joon.60:** 1. Harja hoidekork

Pärast kasutamist

Pärast kasutamist pühkige tööriistale kogunenud
laastud ja tolm riidelapi vms-ga ära. Hoidke terakaitse
lõigus „Terakaitse” toodud juhtnööre järgides puhtana.
Rooste vältimiseks määrige tööriista libisevaid detaile
masinaõliga.

VALIKULISED TARVIKUD

⚠HOIATUS: Need Makita lisatarvikud on mõel-
dud kasutamiseks koos juhendis käsitletava
Makita tööriistaga. Muude lisatarvikute kasutamine
võib lõppeda tõsise vigastusega.

⚠HOIATUS: Kasutage Makita lisatarvikuid
ainult otstarbekohaselt. Lisatarviku väärkasutamine
võib lõppeda tõsise vigastusega.

Saate vajaduse korral kohalikust Makita teeninduskes-
kusest lisateavet nende tarvikute kohta.

- Teras- ja karbiidsaga saetera
- Vertikaalne kinnitusrakis
- Tolmukott
- Kolmnurkjoonlaud
- Kuuskantvõti
- Tugilaua komplekt

MÄRKUS: Mõned nimekirjas loetletud tarvikud
võivad kuuluda standardvarustusse ning need on lisatud
tööriista pakendisse. Need võivad riigiti erineda.

ТЕХНИЧЕСКИЕ ХАРАКТЕРИСТИКИ

Модель:		LS0816F
Диаметр диска		216 мм
Диаметр отверстия	Европейские страны	30 мм
	Другие страны	25,4 мм или 30 мм (зависит от страны)
Макс. толщина распила для пильного диска		2,8 мм
Макс. угол резки		Слева 47°, справа 47°
Макс. угол скоса		Слева 47°, справа 2°
Число оборотов без нагрузки (об/мин)		5 000 мин ⁻¹
Размеры (Д x Ш x В)		476 мм x 705 мм x 521 мм
Масса нетто		13,9 кг
Класс безопасности		□/II

- Благодаря нашей постоянно действующей программе исследований и разработок указанные здесь технические характеристики могут быть изменены без предварительного уведомления.
- Технические характеристики могут различаться в зависимости от страны.
- Масса в соответствии с процедурой ЕРТА 01/2014

Макс. размеры распиливаемой детали (В x Ш) с пильным диском ø 216 мм

Угол резки	Угол скоса		
	45° (левый)	0°	2° (правый)
0°	36 мм x 305 мм	65 мм x 305 мм	60 мм x 305 мм
45° (влево и вправо)	36 мм x 215 мм	65 мм x 215 мм	-

Символы

Ниже приведены символы, которые могут использоваться для обозначения оборудования. Перед использованием убедитесь в том, что вы понимаете их значение.

	Прочитайте руководство по эксплуатации.
	ДВОЙНАЯ ИЗОЛЯЦИЯ
	Надевайте защитные очки.
	Для предотвращения травм от разлетающихся осколков после распиливания держите головку пилы опущенной вниз до тех пор, пока пильный диск не остановится полностью.
	При выполнении скользящего распила сначала полностью вытяните каретку и надавите на рукоятку вниз, затем подвиньте каретку к направляющей линейке.
	Не подносите кисти или пальцы рук близко к пильному диску.
	Отрегулируйте положение скользящих планок таким образом, чтобы они находились на расстоянии от пильного диска и ограждения диска.



Не смотрите на работающую лампу.



Только для стран ЕС
В связи с наличием в оборудовании опасных компонентов использованное электрическое и электронное оборудование может оказывать негативное влияние на окружающую среду и здоровье человека.
Не выбрасывайте электрические и электронные приборы вместе с бытовыми отходами!
В соответствии с директивой ЕС по утилизации отходов электрического и электронного оборудования и ее адаптацией к национальному законодательству, использованное электрическое и электронное оборудование должно отдельно собираться и доставляться на пункт раздельного сбора коммунальных отходов, работающем с соблюдением правил охраны окружающей среды. Это обозначено символом в виде перечеркнутого мусорного контейнера на колесах, нанесенным на оборудование.

Назначение

Этот инструмент предназначен для точной резки древесины прямолинейно и под углом. При использовании соответствующих пильных дисков также возможно распиливание алюминия. Подробнее — согласно разделу ЭКСПЛУАТАЦИЯ.

Источник питания

Данный инструмент должен подключаться к источнику питания с напряжением, соответствующим напряжению, указанному на идентификационной пластине, и может работать только от однофазного источника переменного тока. Он имеет двойную изоляцию и поэтому может подключаться к розеткам без заземления.

Шум

Типичный уровень взвешенного звукового давления (A), измеренный в соответствии с EN62841-3-9: Уровень звукового давления (L_{pA}): 91 дБ (A)
Уровень звуковой мощности (L_{WA}): 102 дБ (A)
Погрешность (K): 3 дБ (A)

ПРИМЕЧАНИЕ: Заявленное значение распространения шума измерено в соответствии со стандартной методикой испытаний и может быть использовано для сравнения инструментов.

ПРИМЕЧАНИЕ: Заявленное значение распространения шума можно также использовать для предварительных оценок воздействия.

⚠ ОСТОРОЖНО: Используйте средства защиты слуха.

⚠ ОСТОРОЖНО: Распространение шума во время фактического использования электроинструмента может отличаться от заявленного значения в зависимости от способа применения инструмента и в особенности от типа обрабатываемой детали.

⚠ ОСТОРОЖНО: Обязательно определите меры безопасности для защиты оператора, основанные на оценке воздействия в реальных условиях использования (с учетом всех этапов рабочего цикла, таких как выключение инструмента, работа без нагрузки и включение).

Декларации о соответствии

Только для европейских стран

Декларации о соответствии включены в Приложение А к настоящему руководству по эксплуатации.

МЕРЫ БЕЗОПАСНОСТИ

Общие рекомендации по технике безопасности для электроинструментов

⚠ ОСТОРОЖНО Ознакомьтесь со всеми инструкциями по технике безопасности, указаниями, иллюстрациями и техническими характеристиками, прилагаемыми к данному электроинструменту. Несоблюдение всех приведенных далее инструкций может привести к поражению электрическим током, возгоранию и/или тяжелым травмам.

Сохраните брошюру с инструкциями и рекомендациями для дальнейшего использования.

Термин "электроинструмент" в предупреждениях относится ко всему инструменту, работающему от сети (с проводом) или на аккумуляторах (без провода).

Безопасность в месте выполнения работ

1. **Рабочее место должно быть чистым и хорошо освещенным.** Захламление и плохое освещение могут стать причиной несчастных случаев.
2. **Не пользуйтесь электроинструментом во взрывоопасной атмосфере, например в присутствии легко воспламеняющихся жидкостей, газов или пыли.** При работе электроинструмента возникают искры, которые могут привести к воспламенению пыли или газов.
3. **При работе с электроинструментом не допускайте детей или посторонних к месту выполнения работ.** Не отвлекайтесь во время работы, так как это приведет к потере контроля над электроинструментом.

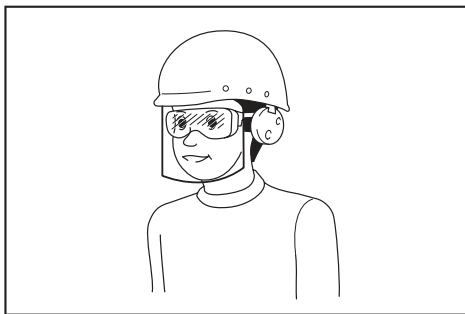
Электробезопасность

1. **Вилка электроинструмента должна соответствовать сетевой розетке.** Запрещается вносить какие-либо изменения в конструкцию вилки. Для электроинструмента с заземлением запрещается использовать переходники. Розетки и вилки, не подвергавшиеся изменениям, снижают риск поражения электрическим током.
2. **Избегайте контакта участков тела с заземленными поверхностями, такими как трубы, радиаторы, батареи отопления и холодильники.** При контакте тела с заземленными предметами увеличивается риск поражения электрическим током.
3. **Не подвергайте электроинструмент воздействию дождя или влаги.** Попадание воды в электроинструмент повышает риск поражения электрическим током.
4. **Аккуратно обращайтесь со шнуром питания.** Запрещается использовать шнур питания для переноски, перемещения или извлечения вилки из розетки. Располагайте шнур на расстоянии от источников тепла, масла, острых краев и движущихся деталей. Поврежденные или запутанные сетевые шнуры увеличивают риск поражения электрическим током.
5. **При использовании электроинструмента вне помещения используйте удлинитель, подходящий для этих целей.** Использование соответствующего шнура снижает риск поражения электрическим током.
6. **Если электроинструмент приходится эксплуатировать в сыром месте, используйте линию электропитания, которая защищена устройством, срабатывающим от остаточного тока (RCD).** Использование RCD снижает риск поражения электротоком.
7. **Рекомендуется использовать питание через RCD с номинальным остаточным током 30 мА или менее.**

8. **Электроинструмент может создавать электромагнитные поля (EMF), которые не представляют опасности для пользователя.** Однако пользователям с кардиостимуляторами и другими аналогичными медицинскими устройствами следует обратиться к производителю устройства и/или врачу перед началом эксплуатации инструмента.
 9. **Не прикасайтесь к разъему электропитания мокрыми руками.**
 10. **Во избежание угрозы безопасности, в случае повреждения кабеля его необходимо заменить в мастерской изготовителя.**
8. **Не переоценивайте свои возможности и не пренебрегайте правилами техники безопасности, даже если вы часто работаете с инструментом.** Небрежное обращение с инструментом может стать причиной серьезной травмы за доли секунды.
 9. **Во время работы с электроинструментом всегда надевайте защитные очки.** Очки должны соответствовать ANSI Z87.1 для США, EN 166 для Европы, или AS/NZS 1336 для Австралии и Новой Зеландии. В Австралии и Новой Зеландии оператор также обязан носить защитную маску.

Личная безопасность

1. **При использовании электроинструмента будьте бдительны, следите за тем, что вы делаете, и руководствуйтесь здравым смыслом. Не пользуйтесь электроинструментом, если вы устали, находитесь под воздействием наркотиков, алкоголя или лекарственных препаратов.** Даже мгновенная невнимательность при использовании электроинструмента может привести к серьезной травме.
2. **Используйте индивидуальные средства защиты. Всегда надевайте защитные очки.** Такие средства индивидуальной защиты, как маска от пыли, защитная нескользящая обувь, каска или наушники, используемые в соответствующих условиях, позволяют снизить риск получения травмы.
3. **Не допускайте случайного запуска. Прежде чем подсоединять инструмент к источнику питания и/или аккумуляторной батарее, поднимать или переносить инструмент, убедитесь, что переключатель находится в выключенном положении.** Переноска электроинструмента с пальцем на выключателе или подача питания на инструмент с выключенным выключателем может привести к несчастному случаю.
4. **Перед включением электроинструмента снимите с него все регулировочные инструменты и гаечные ключи.** Гаечный или регулировочный ключ, оставшийся закрепленным на вращающейся детали, может привести к травме.
5. **При эксплуатации устройства не тяните. Всегда сохраняйте устойчивое положение и равновесие.** Это позволит лучше управлять электроинструментом в непредвиденных ситуациях.
6. **Одевайтесь соответствующим образом. Не надевайте свободную одежду или украшения.** Ваши волосы и одежда должны всегда находиться на расстоянии от движущихся деталей. Свободная одежда, украшения или длинные волосы могут попасть в движущиеся детали устройства.
7. **Если электроинструмент оборудован системой удаления и сбора пыли, убедитесь, что она подключена и используется соответствующим образом.** Использование пылесборника снижает вероятность возникновения рисков, связанных с пылью.



Ответственность за использование средств защиты операторами и другим персоналом вблизи рабочей зоны возлагается на работодателя.

Эксплуатация и обслуживание электроинструмента

1. **Не прилагайте излишних усилий к электроинструменту. Используйте инструмент, соответствующий выполняемой вами работе.** Правильно подобранный электроинструмент позволит выполнить работу лучше и безопаснее с производительностью, на которую он рассчитан.
2. **Не пользуйтесь электроинструментом с неисправным выключателем.** Любой электроинструмент с неисправным выключателем опасен и должен быть отремонтирован.
3. **Перед выполнением регулировок, сменой принадлежностей или хранением электроинструмента всегда отключайте его от источника питания и/или от аккумулятора или снимайте аккумулятор, если он является съемным.** Такие превентивные меры предосторожности снижают риск случайного включения электроинструмента.
4. **Храните электроинструменты в местах, недоступных для детей, и не позволяйте лицам, не знакомым с работой такого инструмента или не прочитавшим данные инструкции, пользоваться им.** Электроинструмент опасен в руках неопытных пользователей.
5. **Поддерживайте электроинструмент и дополнительные принадлежности в надлежащем состоянии. Убедитесь в соосности, отсутствии деформаций движущихся узлов, поломок каких-либо деталей или других дефектов, которые могут повлиять на работу электроинструмента.** Если инструмент поврежден, отремонтируйте его перед использованием. Большое число несчастных случаев происходит из-за плохого ухода за электроинструментом.

6. **Режущий инструмент всегда должен быть острым и чистым.** Соответствующее обращение с режущим инструментом, имеющим острые режущие кромки, делает его менее подверженным деформациям, что позволяет лучше управлять им.
7. **Используйте электроинструмент, принадлежности, приспособления и насадки в соответствии с данными инструкциями и в целях, для которых он предназначен, учитывая при этом условия и вид выполняемой работы.** Использование электроинструмента не по назначению может привести к возникновению опасной ситуации.
8. **Рукоятки инструмента и специальные изолированные поверхности всегда должны быть сухими и чистыми и не содержать следов масла или смазки.** Скользкие рукоятки и специальные поверхности препятствуют соблюдению рекомендаций по технике безопасности в экстренных ситуациях.
9. **При использовании инструмента не надевайте рабочие перчатки, ткань которых инструмент может затянуть.** Затягивание ткани рабочих перчаток в движущиеся части инструмента может привести к травме.

Сервисное обслуживание

1. **Сервисное обслуживание электроинструмента должно проводиться только квалифицированным специалистом по ремонту и только с использованием идентичных запасных частей.** Это позволит обеспечить безопасность электроинструмента.
2. **Следуйте инструкциям по смазке и замене принадлежностей.**

Инструкции по технике безопасности для торцовочных пил

1. **Торцовочные пилы предназначены для распиливания дерева или древесноподобных изделий и не предназначены для работы с абразивными отрезными дисками для резки изделий из черного металла, таких как брусья, прутья, стержни и т.п.** Абразивный порошок приводит к заклиниванию нижнего щитка. Искры от абразивной резки обжигают нижний щиток, вставную режущую пластину и другие пластиковые компоненты.
 2. **По возможности используйте тиски для закрепления детали.** Если вы держите распиливаемую деталь в руках, то следите, чтобы они были на расстоянии не менее 100 мм с каждой стороны от пильного диска. **Не используйте эту пилу для распиливания деталей, которые в силу их малых размеров невозможно надежно закрепить в тисках или удержать руками.** Близкое положение рук по отношению к пильному диску повышает риск получения травмы от контакта с диском.
 3. **Распиливаемую деталь необходимо прочно закрепить или крепко неподвижно держать по отношению к ограде и столу.** **Не подавайте деталь на пильный диск и не выполняйте каких-либо действий одними руками.** Незакрепленные и подвижные детали могут быть отброшены диском, вращающимся с высокой частотой, что может привести к травмам.
 4. **Вдавливайте пилу для резания детали.** **Не тяните пилу для резания детали.** **Чтобы сделать распил детали, установите головку пилы над деталью, не разрезая ее, запустите мотор, вдавите головку и затем всю пилу.** Если тянуть пилу, то пильный диск поднимется кверху детали и резко сорвется к сторону оператора.
 5. **Никогда не оставляйте руку на намеченной линии распила ни за, ни перед пильным диском.** Удерживание детали "крест-накрест", т.е. левой рукой с правой стороны или наоборот крайне опасно.
- **Рис.1**
6. **Не заносите руку за ограду на расстояние менее 100 мм от каждой стороны пильного диска для того чтобы убрать опилки, или по любой другой причине, пока диск вращается.** Вы можете неправильно оценить близость вращающегося пильного диска по отношению к вашей руке, и это может стать причиной серьезной травмы.
 7. **Перед распиливаем осмотрите деталь.** Если деталь изогнута или перекручена, **зажмите ее внешней изогнутой стороной к ограде.** Убедитесь, что вдоль линии распила между деталью, оградой и столом нет зазоров. Изогнутые или перекрученные детали могут выкручиваться и смещаться, что приводит к заклиниванию пильного диска во время резания. В детали не должно быть гвоздей и других посторонних предметов.
 8. **Перед использованием пилы уберите со стола все инструменты, опилки и т.п.** Оставьте только деталь. Мелкий мусор и частички дерева или другие предметы при контакте с вращающимся диском могут быть отброшены на высокой скорости.
 9. **За один раз возможно распиливание только одной детали.** Детали, сложенные в стопку, невозможно закрепить должным образом, и они могут застрять на диске или сместиться по ходу резания.
 10. **Перед использованием торцовочной пилы убедитесь, что она установлена на твердой ровной поверхности.** Твердая и ровная поверхность исключает риск дестабилизации торцовочной пилы.
 11. **Составьте план работы.** Каждый раз, изменяя угол скоса или торца, убеждайтесь в правильной установке ограды для поддержки детали, при которой она не будет мешать пильному диску и защитной системе. Не включая инструмент и без детали на столе, проведите пильный диск вдоль намеченной линии распила, чтобы убедиться в отсутствии преград и риска повреждения ограды.

12. **Обеспечьте надежную поддержку в виде удлинителей стола, козел и т.п. для детали, которая шире или длиннее поверхности стола.** Детали, которые длиннее или шире стола торцовочной пилы, без надежной опоры могут опрокидываться. При опрокидывании обрезков или детали возможно отбрасывание от вращающегося диска или поднятие нижнего щитка.
13. **Не просите других людей поддержать детали.** Неустойчивая опора детали может привести к застреванию диска или смещению детали во время резания, что притянет вас и вашего помощника к вращающемуся диску.
14. **Обрезок не должен быть каким-либо образом зажат или прижат к вращающемуся пильному диску.** Если обрезок привязан упором для установки длины, то он может быть заклинен на диске и с силой отброшен.
15. **Используйте тиски или специальную подставку для обеспечения должной опоры круглым деталям, таким как прутья или трубки.** Прутья могут скатываться во время резания, из-за чего диск оставляет зацепы и притягивает их вместе с рукой к себе.
16. **Перед тем как опустить диск на деталь, дождитесь, чтобы он набрал полную скорость вращения.** Эта мера позволит избежать риска отбрасывания детали.
17. **Если деталь или диск застревает, выключите торцовочную пилу. Дождитесь полной остановки всех подвижных деталей и отключите инструмент от источника питания и/или извлеките аккумулятор.** Затем приступайте к извлечению застрявшего материала. Если продолжить распиливание застрявшей детали, может произойти потеря управления или может быть нанесен вред торцовочной пиле.
18. **По завершении распиливания выключите устройство, приведите головку пилу в нижнее положение и дождитесь остановки вращения диска, прежде чем забирать обрезок.** Подносить руку к диску, вращающемуся по инерции, опасно.
19. **Разрешается использовать только пильные диски с диаметром, соответствующим указанному на инструменте или в руководстве.** Применение пильного диска неподходящего размера может препятствовать надлежащей защите пильного диска или мешать работе защитного кожуха, что, в свою очередь, может стать причиной серьезных травм.
20. **Используйте только пильные диски, маркировка максимальной скорости которых равна или выше скорости, указанной на инструменте.**
21. **Не используйте данную пилу с целью резки материалов, для которых она не предусмотрена.**
22. **(Только для европейских стран)**
Если инструмент предназначен для древесины и аналогичных материалов, необходимо использовать диск, соответствующий стандарту EN847-1.

Дополнительные инструкции

1. **Ограничьте доступ детей к мастерской с помощью замка.**
2. **Не становитесь ногами на инструмент.** Опрокидывание инструмента или непреднамеренный контакт с режущим узлом могут привести к серьезным травмам.
3. **Никогда не оставляйте работающий инструмент без присмотра. Выключайте питание. Не отходите от инструмента до его полной остановки.**
4. **Не эксплуатируйте пилу без установленных ограждений. Перед каждым использованием проверяйте ограждение полотна. Не эксплуатируйте пилу, если ограждение полотна не перемещается свободно и мгновенно не закрывается. Запрещается фиксировать или привязывать ограждение в открытом положении.**
5. **Держите руки на расстоянии от траектории движения пильного диска. Избегайте контакта с любым пильным диском, вращающимся по инерции. Он все еще может причинить серьезные травмы.**
6. **Чтобы снизить риск получения травмы, каждый раз по завершении поперечного распила возвращайте каретку до упора в заднее положение.**
7. **Перед переноской инструмента обязательно закрепите все подвижные части.**
8. **Стопорный штифт или стопорный рычаг, блокирующий головку пилы в нижнем положении, предназначен только для переноски и хранения, а не для каких-либо операций резки.**
9. **Перед эксплуатацией тщательно осмотрите пильный диск и убедитесь в отсутствии трещин или повреждений. Немедленно замените треснувший или поврежденный пильный диск. Смола и древесный пек, затвердевшие на пильных дисках, снижают производительность пилы и повышают потенциальный риск отдачи. Содержите пильный диск в чистоте. Для этого снимайте его с инструмента и очищайте растворителем смолы и древесного пека, горячей водой или керосином. Ни в коем случае не используйте бензин для очистки пильного диска.**
10. **При выполнении скользящего распила может возникать ОТДАЧА. ОТДАЧА возникает в том случае, если пильный диск заедает во время распиливания детали и резко отскакивает в сторону оператора. Это может привести к потере управления и серьезным травмам. Если пильный диск заедает во время распила, немедленно прекратите работу и выключите устройство.**
11. **Пользуйтесь только фланцами, предназначенными для данного инструмента.**
12. **Следите за тем, чтобы не повредить шпиндель, фланцы (особенно монтажную поверхность) или болт. Повреждение этих деталей может привести к поломке пильного диска.**

13. Убедитесь в прочном креплении поворотного основания и в его неподвижности во время выполнения работ. С помощью отверстий в основании прикрепите пилу к устойчивой рабочей поверхности или верстаке. НИКОГДА не используйте инструмент в неудобном для оператора положении.
14. Перед включением выключателя убедитесь в том, что блокировка вала снята.
15. Следите за тем, чтобы пильный диск не касался поворотного основания в самом нижнем положении.
16. Крепко держите ручку. Помните, что во время запуска и остановки пила немного движется вверх или вниз.
17. Перед включением убедитесь в том, что пильный диск не касается обрабатываемой детали.
18. Перед использованием инструмента для обработки детали дайте ему немного поработать вхолостую. Убедитесь в отсутствии вибрации или биения, которые могут свидетельствовать о неправильной установке или разбалансировке пильного диска.
19. Немедленно прекратите работу, если вы заметили какие-либо отклонения.
20. Не пытайтесь заблокировать триггерный переключатель во включенном положении.
21. Обязательно используйте принадлежности, рекомендованные в данном руководстве. Использование несоответствующих принадлежностей, таких как, например, абразивные круги, может привести к травме.
22. Некоторые материалы могут содержать токсичные химические вещества. Примите соответствующие меры предосторожности, чтобы избежать вдыхания или контакта с кожей таких веществ. Соблюдайте требования, указанные в паспорте безопасности материала.

Дополнительные правила техники безопасности, касающиеся работающей лампы

1. Не смотрите непосредственно на свет или источник света.

СОХРАНИТЕ ДАННЫЕ ИНСТРУКЦИИ.

▲ОСТОРОЖНО: НЕ ДОПУСКАЙТЕ, чтобы удобство или опыт эксплуатации данного устройства (полученный от многократного использования) доминировали над строгим соблюдением правил техники безопасности при обращении с этим устройством. **НЕПРАВИЛЬНОЕ ИСПОЛЬЗОВАНИЕ** инструмента или несоблюдение правил техники безопасности, указанных в данном руководстве, может привести к тяжелой травме.

ОПИСАНИЕ ДЕТАЛЕЙ

► Рис.2

1	Регулировочный винт (для нижнего предельного положения)	2	Стопорный рычаг	3	Пылесборный мешок	4	Зажимной барашковый винт (для перемещения каретки)
5	Указатель (для угла скоса)	6	Шкала угла скоса	7	Подвижная стойка	8	Вертикальные тиски
9	Скользкая планка	10	Болт регулировки 0° (для угла скоса)	11	Направляющая линейка	12	Подоснова
13	Поворотное основание	14	Шкала угла резки	15	Указатель (для угла резки)	16	Планка для пропилов
17	Регулировочный болт (для поворотного основания)	18	Рычаг блокировки (для поворотного основания)	19	Ручка (для поворотного основания)	20	Пылеуловительный щиток
21	Ограждение диска	22	Лампа	23	Рукоятка (для работы)	24	Триггерный переключатель
25	Отверстие для навесного замка	26	Кнопка разблокировки	27	Ручка для переноски	-	-

► Рис.3

1	Выключатель лампы	2	Фиксатор вала	3	Регулировочный болт (для максимальной режущей способности)	4	Стопорный штифт (для подъема каретки)
5	Установочная пластина	6	Шестигранный ключ	7	Болт регулировки 45° (для угла скоса)	8	Рычаг (для угла скоса)
9	Кнопка разблокировки (для угла скоса)	-	-	-	-	-	-

УСТАНОВКА

Установка на верстак

⚠ОСТОРОЖНО: Убедитесь, что инструмент не перемещается на опорной поверхности. Перемещение торцовочной пилы на опорной поверхности во время резки может привести к потере контроля над инструментом и получению тяжелой травмы.

1. Закрепите основание на ровной и прочной поверхности при помощи болтов. Это поможет предотвратить опрокидывание и возможные травмы.
► **Рис.4:** 1. Болт 2. Монтажное отверстие

2. Поверните регулировочный болт по часовой стрелке или против часовой стрелки, чтобы он соприкасался с поверхностью пола и обеспечил стабильность инструмента.
► **Рис.5:** 1. Регулировочный болт

ОПИСАНИЕ РАБОТЫ

⚠ОСТОРОЖНО: Перед регулировкой или проверкой функций инструмента обязательно убедитесь, что он выключен и его вилка вынута из розетки. Несоблюдение этого требования может стать причиной тяжелой травмы из-за случайного включения инструмента.

Блокировка ручки

⚠ВНИМАНИЕ: Обязательно держите ручку при разблокировке стопорного штифта. При несоблюдении этого требования резкое движение рукоятки вверх может привести к травме.

Перед поставкой инструмента ручка блокируется стопорным штифтом в нижнем положении. Чтобы разблокировать ручку, потяните стопорный штифт, слегка опустив ручку.

► **Рис.6:** 1. Стопорный штифт

Блокировка движения

Для обеспечения возможности скользящего перемещения каретки ослабьте зажимной барашковый винт на направляющем кронштейне. Для блокировки скользящего движения каретки переместите каретку в нужное положение, а затем плотно затяните барашковый винт.

► **Рис.7:** 1. Винт с накатанной головкой
2. Направляющий кронштейн

Ограждение диска

⚠ОСТОРОЖНО: Ни в коем случае не убирайте и не снимайте ограждение диска или пружину, прикрепленную к ограждению. В случае поломки ограждения открытый диск циркулярной пилы может причинить тяжелую травму во время работы.

⚠ОСТОРОЖНО: Ни в коем случае не используйте инструмент, если ограждение диска или пружина повреждены, неисправны или сняты. Эксплуатация инструмента с поврежденным, неисправным или снятым ограждением может привести к тяжелой травме.

⚠ВНИМАНИЕ: В целях безопасности обязательно поддерживайте ограждение диска в хорошем состоянии. Немедленно прекратите работу при наличии любых неисправностей ограждения диска. Убедитесь в возвратном действии ограждения под нагрузкой пружины.

При опускании ручки ограждение режущего диска поднимается автоматически. Ограждение подпружинено, поэтому после окончания распиливания и подъема ручки оно возвращается в исходное положение.

► **Рис.8:** 1. Ограждение диска

Очистка

При загрязнении прозрачного ограждения диска или налипании на него стружки таким образом, что диск циркулярной пилы и/или обрабатываемая деталь становятся неразличимыми, отключите инструмент от электрической сети и тщательно очистите ограждение влажной тряпкой. Для очистки пластмассового ограждения не используйте растворители или очистители на основе бензина, поскольку это может привести к повреждению ограждения. Для подготовки к уборке следуйте приведенным пошаговым инструкциям.

1. Убедитесь в том, что инструмент выключен и отсоединен от электрической сети.
 2. Поверните болт с внутренним шестигранником против часовой стрелки, используя имеющийся шестигранный ключ и удерживая центральную крышку.
 3. Поднимите ограждение диска и центральную крышку.
 4. По окончании очистки верните центральную крышку в исходное положение и затяните болт с внутренним шестигранником, выполняя указанные выше шаги в обратной последовательности.
- **Рис.9:** 1. Шестигранный ключ 2. Болт с внутренним шестигранником 3. Центральная крышка 4. Ограждение диска

⚠ОСТОРОЖНО: Не снимайте пружину крепления ограждения диска. При повреждении ограждения со временем или под воздействием ультрафиолетовых лучей свяжитесь с сервисным центром компании Makita, чтобы получить новое ограждение. **НЕ ЛОМАЙТЕ И НЕ СНИМАЙТЕ ОГРАЖДЕНИЕ.**

Расположение планки для пропилов

Этот инструмент оборудован планками для пропилов в поворотном основании для уменьшения разрыва на выходной стороне распила. Планки для пропилов отрегулированы на предприятии-изготовителе таким образом, что диск циркулярной пилы не касается планок для пропилов. Перед использованием планок для пропилов отрегулируйте их, как указано ниже:

1. Убедитесь в том, что инструмент отсоединен от электрической сети. Затем ослабьте все винты (по три слева и справа), фиксирующие планки для пропилов.

► **Рис.10:** 1. Планка для пропилов 2. Винт

2. Затяните винты так, чтобы планки для пропилов можно было легко перемещать рукой.

3. Полностью опустите рукоятку, а затем зафиксируйте ее в опущенном положении с помощью стопорного штифта.

4. Ослабьте зажимной барашковый винт на направляющем кронштейне, блокирующий скользящее перемещение каретки.

Оттяните каретку на себя до упора.

► **Рис.11:** 1. Винт с накатанной головкой 2. Направляющий кронштейн

5. Отрегулируйте положение планок для пропилов таким образом, чтобы находились вблизи боковых сторон зубьев пильного диска.

► **Рис.12**

► **Рис.13:** 1. Диск циркулярной пилы 2. Зубья диска 3. Планка для пропилов 4. Резка со скосом влево 5. Прямая резка

6. Затяните передние винты (не затягивайте их сильно).

7. Сдвиньте каретку в положение между передним концом планок для пропилов и направляющими линейками. Отрегулируйте положение планок для пропилов таким образом, чтобы они находились вблизи боковых сторон зубьев пильного диска.

8. Затяните центральные винты (не затягивайте их сильно).

9. Подайте каретку до упора к направляющим линейкам, а затем отрегулируйте положение планок для пропилов таким образом, чтобы они находились вблизи боковых сторон зубьев пильного диска.

10. Затяните задние винты (не затягивайте их сильно).

11. Отпустите стопорный штифт для блокировки рукоятки и поднимите рукоятку. Затем надежно затяните все винты.

ПРИМЕЧАНИЕ: Установив угол скоса, убедитесь в правильной регулировке планок для пропилов. Правильная регулировка планок для пропилов помогает обеспечить надлежащую опору для заготовки и свести к минимуму вероятность ее срыва с крепления.

Обеспечение максимальной режущей способности

Данный инструмент отрегулирован на заводе таким образом, чтобы обеспечить максимальную режущую способность для диска циркулярной пилы диаметром 216 мм. При установке нового пильного диска всегда проверяйте нижнее предельное положение пильного диска и при необходимости выполните регулировку, как указано ниже.

1. Выключите инструмент из сети. Подайте каретку до упора к направляющей линейке и полностью опустите рукоятку.

2. Вращайте регулировочный болт при помощи шестигранного ключа (отверточной стороны), пока диск циркулярной пилы не будет находиться немного ниже пересечения направляющей линейки и верхней поверхности поворотного основания.

► **Рис.14:** 1. Регулировочный болт 2. Направляющая линейка

► **Рис.15**

3. Проверните диск циркулярной пилы рукой, нажимая на рукоятку вниз до упора, чтобы убедиться в том, что диск циркулярной пилы не касается какой-либо части нижнего основания. При необходимости повторно отрегулируйте максимальную режущую способность.

▲ОСТОРОЖНО: После установки нового диска циркулярной пилы и отсоединения инструмента от электрической сети необходимо убедиться в том, что диск циркулярной пилы не касается какой-либо части нижнего основания при полностью опущенной рукоятке. Если диск циркулярной пилы заденет основание, это может вызвать отдачу и привести к тяжелым травмам.

► **Рис.16**

Стопорный рычаг

Нижнее предельное положение пильного диска легко регулируется с помощью стопорного рычага. Для регулировки нижнего предела поверните стопорный рычаг в направлении стрелки, как показано на рисунке. Поверните регулировочный винт так, чтобы пильный диск останавливался в необходимом положении при полном опускании рукоятки.

► **Рис.17:** 1. Стопорный рычаг 2. Регулировочный винт

Регулировка угла резки

▲ВНИМАНИЕ: После изменения угла резки обязательно закрепите поворотное основание, крепко затянув рукоятку.

ПРИМЕЧАНИЕ: При повороте основания обязательно полностью поднимите рукоятку.

Поверните ручку против часовой стрелки, чтобы разблокировать поворотное основание. Для перемещения поворотного основания поверните ручку, удерживая в верхнем положении рычаг блокировки. Совместите указатель с нужным углом на шкале угла резки, затем затяните ручку.

► **Рис.18:** 1. Рычаг блокировки 2. Ручка 3. Указатель

Функция блокировки с помощью неподвижного упора

Эта торцовочная пила оснащена функцией блокировки с помощью неподвижного упора. Быстро устанавливаемые углы резки справа/слева: 0°, 15°, 22,5°, 31,6° и 45°. Чтобы использовать эту функцию, установите поворотное основание в положение, наиболее близкое к необходимому углу блокировки, удерживая рычаг блокировки в верхнем положении. Затем отпустите рычаг блокировки и переместите поворотное основание до фиксации в положение под необходимым углом неподвижного упора.

Регулировка угла скоса

ВНИМАНИЕ: После изменения угла скоса обязательно закрепляйте направляющий кронштейн, затягивая рычаг по часовой стрелке.

ПРИМЕЧАНИЕ: Перед регулировкой угла скоса обязательно снимайте вертикальные тиски.

ПРИМЕЧАНИЕ: При наклоне пильного диска убедитесь в том, что каретка полностью поднята.

ПРИМЕЧАНИЕ: При изменении углов скоса не забудьте снова установить планки для пропилов в надлежащее положение, как указано в разделе, посвященном расположению планки для пропилов.

ПРИМЕЧАНИЕ: Не затягивайте рычаг слишком плотно. Это может привести к поломке стопорного механизма угла скоса.

Наклон диска циркулярной пилы влево 0° - 45°

1. Поверните рычаг против часовой стрелки.
2. Удерживайте ручку и наклоните каретку влево.
3. Установите указатель на нужный угол на шкале угла скоса.
4. Плотно затяните рычаг по часовой стрелке для надежной фиксации кронштейна.

► Рис.19: 1. Рычаг 2. Рукоятка 3. Указатель
4. Шкала угла скоса

Наклон диска циркулярной пилы влево за пределы 0° - 45°

1. Поверните рычаг против часовой стрелки.
2. Удерживая рукоятку, установите каретку на 0° для правой стороны 2° или 45° для левой стороны 47°.
3. Слегка наклоните каретку в противоположную сторону.
4. Надавите на кнопку разблокировки.
5. Наклоните каретку в нужное положение за пределами диапазона 0° - 45°.
6. Плотно затяните рычаг по часовой стрелке для надежной фиксации кронштейна.

При наклоне каретки вправо на 2°

► Рис.20: 1. Рычаг 2. Рукоятка 3. Кнопка разблокировки

При наклоне каретки влево на 47°

► Рис.21: 1. Рычаг 2. Рукоятка 3. Кнопка разблокировки

Действие выключателя

ОСТОРОЖНО: Перед включением инструмента в розетку обязательно убедитесь, что триггерный переключатель работает надлежащим образом и возвращается в положение «ВЫКЛ», если его отпустить. Не нажимайте сильно на триггерный переключатель без нажатия на кнопку разблокировки. Это может привести к поломке переключателя. Эксплуатация инструмента с неисправным переключателем может привести к потере контроля над инструментом и получению тяжелой травмы.

ОСТОРОЖНО: ЗАПРЕЩАЕТСЯ эксплуатировать инструмент с неисправным триггерным переключателем. Инструмент с неисправным триггерным переключателем КРАЙНЕ ОПАСЕН, перед дальнейшим использованием его необходимо отремонтировать. В противном случае можно получить тяжелую травму.

ОСТОРОЖНО: ЗАПРЕЩАЕТСЯ нарушать работу кнопки разблокировки, заклеивая ее скотчем или другими способами. Выключатель с неработающей кнопкой разблокировки может стать причиной случайного включения и причинения тяжелой травмы.

ОСТОРОЖНО: ЗАПРЕЩАЕТСЯ использовать инструмент, когда он работает при простом нажатии на триггерный переключатель без нажатия на кнопку разблокировки. Требующий ремонта инструмент может случайно включиться и причинить тяжелую травму. Верните инструмент в сервисный центр Makita для надлежащего ремонта ДО продолжения его эксплуатации.

Для предотвращения непреднамеренного включения триггерного переключателя имеется кнопка разблокировки. Для включения инструмента нажмите на кнопку разблокировки, а затем на триггерный переключатель. Отпустите триггерный переключатель для остановки.

В триггерном переключателе предусмотрено отверстие под дужку навесного замка для блокировки инструмента.

► Рис.22: 1. Триггерный переключатель 2. Кнопка разблокировки 3. Отверстие для навесного замка

ОСТОРОЖНО: Не используйте замок с дужкой или тросом диаметром менее 6,35 мм. Дужка или трос меньшего размера может не полностью зафиксировать инструмент в выключенном положении, что может стать причиной случайного включения и причинения тяжелой травмы.

Отражение линии разреза

⚠ВНИМАНИЕ: Лампа не является водонепроницаемой. Не промывайте лампу в воде и не пользуйтесь ей во время дождя или во влажном месте. Несоблюдение этой рекомендации может привести к поражению электрическим током и появлению дыма.

⚠ВНИМАНИЕ: Не касайтесь линзы лампы, поскольку она сильно нагревается при работе и остается нагретой в течение некоторого времени после отключения. Это может привести к ожогам.

⚠ВНИМАНИЕ: Не подвергайте лампу механическим воздействиям — это может привести к ее повреждению или сокращению срока ее службы.

⚠ВНИМАНИЕ: Не смотрите непосредственно на свет или источник света.

Светодиодная лампа направляет свет на диск циркулярной пилы, а тень пильного диска падает на обрабатываемую, что служит в качестве индикатора линии разреза, не требующего калибровки. Нажмите на выключатель лампы для излучения света. Появляется линия, по которой пильный диск будет касаться поверхности заготовки, углубляясь по мере опускания пильного диска.

► **Рис.23:** 1. Выключатель лампы 2. Лампа
3. Линия разреза

Индикатор помогает выполнять разрез по существующей линии разреза, нанесенной карандашом на заготовку.

1. Удерживайте ручку и опустите диск циркулярной пилы, чтобы плотная тень пильного диска упала на обрабатываемую деталь.
2. Совместите линию разреза, нарисованную на заготовке, с затененной линией разреза.
3. Если необходимо, отрегулируйте углы резки и углы скоса.

ПРИМЕЧАНИЕ: После использования обязательно переводите выключатель лампы в выключенное положение. В противном случае лампа остается раскаленной.

СБОРКА

⚠ОСТОРОЖНО: Перед выполнением каких-либо работ на инструменте обязательно убедитесь, что он выключен, и его вилка выключена из розетки. Несоблюдение данного требования может привести к серьезным травмам.

Хранение шестигранного ключа

Когда шестигранный ключ не используется, храните его, как показано на рисунке, чтобы не потерять.

► **Рис.24:** 1. Шестигранный ключ

Установка или снятие диска циркулярной пилы

⚠ОСТОРОЖНО: Обязательно выключайте инструмент и отсоединяйте его от электрической сети перед снятием и установкой диска циркулярной пилы. Случайное включение инструмента может привести к тяжелым травмам.

⚠ОСТОРОЖНО: Для снятия или установки диска циркулярной пилы используйте только ключ Makita, идущий в комплекте. Несоблюдение этого требования может привести к слишком сильному или недостаточному затягиванию болта с внутренним шестигранником и, как следствие, к тяжелым травмам.

⚠ОСТОРОЖНО: Запрещено использовать или устанавливать в качестве запасных те детали, которые не поставляются с этим инструментом. Использование таких деталей может привести к тяжелой травме.

⚠ОСТОРОЖНО: После установки пильного диска убедитесь в том, что он надежно закреплен. Ненадежное крепление пильного диска может привести к тяжелым травмам.

Обычные приготовления к установке или снятию диска циркулярной пилы

1. Разблокируйте каретку, оттянув стопорный штифт, а затем переместите каретку в поднятое положение.
2. Ослабьте болт с внутренним шестигранником, удерживающий центральную крышку, с помощью шестигранного ключа. Затем поднимите ограждение диска и центральную крышку.

► **Рис.25:** 1. Шестигранный ключ 2. Болт с внутренним шестигранником 3. Центральная крышка 4. Ограждение диска

Установка диска циркулярной пилы

⚠ВНИМАНИЕ: Установите диск циркулярной пилы таким образом, чтобы направление стрелки на диске циркулярной пилы совпало с направлением стрелки на кожухе диска. Невыполнение этого требования может привести к травмам и повреждению инструмента и/или обрабатываемой детали.

1. Выполните действия, изложенные в пункте "Обычные приготовления к установке или снятию диска циркулярной пилы".
2. Нажмите фиксатор вала, чтобы заблокировать шпindel, и шестигранным ключом ослабьте болт с внутренним шестигранником, повернув его по часовой стрелке. Затем снимите болт с внутренним шестигранником, внешний фланец и диск циркулярной пилы.

► **Рис.26:** 1. Болт с внутренним шестигранником (с левой резьбой) 2. Наружный фланец 3. Фиксатор вала

3. Аккуратно установите пильный диск на внутренний фланец. Убедитесь, что направление стрелки на пильном диске совпадает с направлением стрелки на кожухе диска.

► **Рис.27:** 1. Стрелка

4. Установите внешний фланец и болт с внутренним шестигранником. Надежно затяните болт с внутренним шестигранником (с левой резьбой) против часовой стрелки с помощью шестигранного ключа, надавив на фиксатор вала.

► **Рис.28:** 1. Болт с внутренним шестигранником (с левой резьбой) 2. Наружный фланец 3. Пильный диск 4. Кольцо 5. Внутренний фланец 6. Шпindel

► **Рис.29:** 1. Болт с внутренним шестигранником (с левой резьбой) 2. Наружный фланец 3. Фиксатор вала

5. Установите на место ограждение диска и центральную крышку. Затем надежно затяните болт крепления центральной крышки с внутренним шестигранником.

Опустите каретку и убедитесь, что ограждение диска перемещается надлежащим образом.

► **Рис.30:** 1. Шестигранный ключ 2. Болт с внутренним шестигранником 3. Центральная крышка 4. Ограждение диска

Снятие диска циркулярной пилы

1. Выполните действия, изложенные в пункте "Обычные приготовления к установке или снятию диска циркулярной пилы".

2. Надавите на фиксатор вала для блокировки шпинделя. Ослабьте болт с внутренним шестигранником по часовой стрелке с помощью шестигранного ключа. Затем выверните болт с внутренним шестигранником, внешний фланец и диск циркулярной пилы.

► **Рис.31:** 1. Болт с внутренним шестигранником (с левой резьбой) 2. Наружный фланец 3. Фиксатор вала

3. При снятии внутреннего фланца обязательно установите его на шпindel таким образом, чтобы часть, предназначенная для установки диска, была обращена к диску циркулярной пилы. В случае неправильной установки фланца он будет тереться об устройство.

► **Рис.32:** 1. Болт с внутренним шестигранником (с левой резьбой) 2. Наружный фланец 3. Пильный диск 4. Кольцо 5. Внутренний фланец 6. Шпindel

ПРИМЕЧАНИЕ: Будьте осторожны, чтобы не потерять внешний фланец и болт с внутренним шестигранником.

Подключение пылесоса

При необходимости выполнения чистого резания подключите пылесос Makita.

ПРИМЕЧАНИЕ: В зависимости от типа используемого пылесоса и шланга отверстие пылесборника может перекрываться пылеуловительным щитком, в результате чего сбор пыли становится невозможным. В таком случае ослабьте мощность всасывания пылесоса.

► **Рис.33:** 1. Пылеуловительный щиток

Пылесборный мешок

ВНИМАНИЕ: При резке обязательно присоединяйте пылесборный мешок или подключайте пылесос во избежание рисков, связанных с пылью.

Использование пылесборного мешка обеспечивает чистоту во время резания и легкой сбор пыли. Для прикрепления пылесборного мешка подсоедините его к пылесборному патрубку.

► **Рис.34:** 1. Пылесборный мешок 2. Пылесборный патрубок

Когда пылесборный мешок заполнится примерно наполовину, снимите его с инструмента и вытяните крепеж. Удалите содержимое пылесборного мешка, слегка ударив по нему, чтобы удалить прилипшие к внутренней части частицы, которые могут затруднить дальнейший сбор пыли.

► **Рис.35:** 1. Крепеж

Крепление обрабатываемой детали

ОСТОРОЖНО: Очень важно правильно закреплять деталь в тисках. Невыполнение этого требования может привести к тяжелым травмам и повреждению инструмента и/или детали.

ОСТОРОЖНО: После завершения распиливания не поднимайте пильный диск до его полной остановки. Поднятие вращающегося по инерции пильного диска может привести к тяжелым травмам и повреждению обрабатываемой детали.

ОСТОРОЖНО: При резке обрабатываемой детали, превышающей по длине опорное основание торцовочной пилы, необходимо поддерживать материал по всей длине за пределами опорного основания и на одной высоте, чтобы материал оставался ровным. Надлежащая опора детали поможет предотвратить защемление диска и возможную отдачу, которая может привести к тяжелым травмам. При фиксации обрабатываемой детали не полагайтесь исключительно на вертикальные тиски. Тонкий материал подвержен прогибам. Обеспечьте опору для обрабатываемой детали по всей ее длине, чтобы избежать защемления диска и возможной ОТДАЧИ.

► **Рис.36:** 1. Опора 2. Поворотное основание

Направляющие линейки

⚠ ОСТОРОЖНО: Перед началом работы с инструментом убедитесь в том, что скользящая планка прочно зафиксирована зажимным винтом.

⚠ ОСТОРОЖНО: Перед срезанием фаски убедитесь в том, что никакая деталь инструмента, особенно диск циркулярной пилы, не касается ограждений при полном опускании и подъеме рукоятки в любое положение, а также при перемещении каретки по всему диапазону движения. Если инструмент или диск циркулярной пилы коснется ограждения, это может привести к отдаче или неожиданному перемещению материала и тяжелым травмам.

Данный инструмент оборудован скользящей планкой. При выполнении резки со скосом ослабьте зажимной винт и переместите скользящую планку таким образом, чтобы она не препятствовала перемещению каретки. Зафиксируйте скользящую планку, затянув зажимной винт.

► **Рис.37:** 1. Скользящая планка 2. Направляющая линейка 3. Зажимной винт

Вертикальные тиски

⚠ ОСТОРОЖНО: При выполнении всех типов работ обрабатываемую деталь необходимо надежно фиксировать на поворотном основании и направляющей линейке тисками. Если деталь не прижата должным образом к ограждениям, материал может сместиться во время резания и повредить пильный диск. В этом случае возможен разлет осколков и потеря контроля над инструментом, что может стать причиной тяжелых травм.

Вертикальные тиски могут устанавливаться в отверстия на левой стороне основания, правой стороне основания или левой стороне подосновы.

Прижмите обрабатываемую деталь к направляющей линейке и поворотному основанию. Расположите обрабатываемую деталь в необходимом для распиливания положении и надежно закрепите ее, затянув ручку тисков.

Убедитесь в том, что никакая часть инструмента не соприкасается с вертикальными тисками при опускании рукоятки до упора. Если какая-либо часть касается вертикальных тисков, отрегулируйте их положение.

► **Рис.38:** 1. Отверстие 2. Головка тисков

Подоснова

⚠ ОСТОРОЖНО: Обязательно поддерживайте длинные детали, чтобы они находились на одном уровне с верхней поверхностью поворотного основания. Это обеспечит точный разрез и предотвратит опасность потери контроля над инструментом. Надлежащая опора детали поможет предотвратить защемление диска и возможную отдачу, которая может привести к тяжелым травмам.

⚠ ОСТОРОЖНО: Прежде чем приступать к резке, обязательно убедитесь в том, что подосновы закреплены барашковыми винтами.

Для горизонтальной фиксации длинномерных обрабатываемых деталей на обеих сторонах инструмента предусмотрены подосновы. Ослабьте барашковые винты и выдвиньте подосновы на необходимое расстояние для фиксации обрабатываемой детали. Затем затяните барашковые винты.

► **Рис.39:** 1. Подоснова 2. Барашковый винт

Во время резки размещайте заготовку ровно на направляющих линейках.

► **Рис.40:** 1. Направляющая линейка 2. Подоснова

ЭКСПЛУАТАЦИЯ

Этот инструмент предназначен для резки лесоматериалов. При использовании соответствующих оригинальных пильных дисков Makita также возможно распиливание указанных далее материалов:

— алюминий

Посетите наш веб-сайт или обратитесь к местному дилеру компании Makita для получения информации о подходящих для разрезаемого материала дисках дисковой пилы.

⚠ ОСТОРОЖНО: Перед включением выключателя убедитесь в том, что пильный диск не касается обрабатываемой детали. Включение инструмента при соприкосновении пильного диска с обрабатываемой деталью может привести к возникновению отдачи и тяжелым травмам.

⚠ ОСТОРОЖНО: После завершения распиливания не поднимайте пильный диск до его полной остановки. Поднятие вращающегося по инерции пильного диска может привести к тяжелым травмам и повреждению обрабатываемой детали.

⚠ ОСТОРОЖНО: Не выполняйте регулировку, в частности не поворачивайте рукоятку, круглую ручку и рычаги инструмента, при вращающемся пильном диске. Выполнение регулировки при вращающемся пильном диске может привести к тяжелым травмам.

⚠ ВНИМАНИЕ: Избегайте бесконтрольной разблокировки головки пилы в крайнем нижнем положении. Потеря контроля над головкой пилы может привести к получению травмы.

ПРИМЕЧАНИЕ: Перед использованием убедитесь, что стопорный штифт разблокирован, и освободите рукоятку из нижнего положения.

ПРИМЕЧАНИЕ: Не оказывайте чрезмерное давление на рукоятку при распиливании.

Избыточное усилие может привести к перегрузке двигателя и/или снижению эффективности резки. Нажимайте на рукоятку только с тем усилием, которое необходимо для плавной резки и без значительного снижения скорости диска.

ПРИМЕЧАНИЕ: Осторожно надавите на рукоятку для выполнения резки. При нажатии на рукоятку с усилием или приложении бокового усилия пильный диск может вибрировать и оставлять след (след пилы) на обрабатываемой детали, что может привести к снижению точности резки.

ПРИМЕЧАНИЕ: При выполнении скользящего распила осторожно давите на каретку в сторону направляющей линейки без остановки. Если остановить движение каретки во время резки, на обрабатываемой детали останется след, а точность резки будет снижена.

Резка с нажимом

▲ ОСТОРОЖНО: Всегда блокируйте скользящие каретки при выполнении резки с нажимом. Резка при отсутствии блокировки может вызвать отдачу и привести к тяжелым травмам.

Детали высотой 65 мм и шириной 80 мм можно распилить следующим образом.

1. Надавливайте на каретку в сторону направляющей линейки, пока она не остановится, и блокируйте ее с помощью барашкового винта.
2. Закрепите деталь в тисках соответствующего типа.
3. Включите инструмент, следя за тем, чтобы пильный диск не соприкасался с заготовкой, и подождите, пока диск не наберет максимальную скорость, прежде чем снижать ее.
4. Затем плавно опустите ручку в крайнее нижнее положение, чтобы распилить обрабатываемую деталь.
5. По завершении резки отключите инструмент и дождитесь полной остановки пильного диска, перед тем как перевести его в крайнее верхнее положение.

► **Рис.41:** 1. Барашковый винт

Скользящий распил (с проталкиванием) (распил широких деталей)

▲ ОСТОРОЖНО: При выполнении распиливания сначала полностью переместите каретку к себе и нажмите рукоятку вниз до упора, затем сдвиньте каретку к направляющей линейке.

Не начинайте распиливание, пока каретка не сдвинута полностью в сторону оператора. В противном случае возможна неожиданная отдача и получение тяжелых травм.

▲ ОСТОРОЖНО: Не пытайтесь выполнять распиливание, двигая каретку на себя. В этом случае возможна неожиданная отдача и получение тяжелых травм.

▲ ОСТОРОЖНО: Запрещается выполнять распил, если рукоятка зафиксирована в нижнем положении.

1. Ослабьте барашковый винт, чтобы обеспечить свободное скольжение каретки.
2. Закрепите деталь в тисках соответствующего типа.
3. Подайте каретку полностью на себя.
4. Включите инструмент, следя за тем, чтобы диск циркулярной пилы ни с чем не соприкасался, и дождитесь, пока пильный диск не наберет максимальную скорость.
5. Нажмите на ручку вниз и подайте каретку к направляющей линейке через обрабатываемую деталь.
6. По завершении распиливания отключите инструмент и дождитесь полной остановки пильного диска, прежде чем перевести его в крайнее верхнее положение.

► **Рис.42:** 1. Барашковый винт

Резка под углом

См. раздел “Регулировка угла резки”.

Резка со скосом

▲ ОСТОРОЖНО: После настройки пильного диска для резки со скосом убедитесь в том, что каретка и пильный диск смогут свободно перемещаться по всей длине предполагаемого разреза, прежде чем приступить к работе с инструментом. Помехи при движении каретки или диска во время резки могут привести к возникновению отдачи и тяжелым травмам.

▲ ОСТОРОЖНО: Во время резки со скосом держите руки за пределами на траектории движения пильного диска. Угол расположения пильного диска может ввести оператора в заблуждение относительно фактической траектории диска во время резки, и соприкосновение с пильным диском приведет к тяжелым травмам.

▲ ОСТОРОЖНО: Пильный диск не следует поднимать до его полной остановки. Во время резки со скосом отрезанные части могут опираться на пильный диск. В случае поднятия пильного диска во время его вращения отрезанная часть детали может быть отброшена с высокой скоростью пильным диском, что может вызвать разрушение материала, способное причинить тяжелые травмы.

ПРИМЕЧАНИЕ: Надавливая вниз на рукоятку, прилагайте давление параллельно с пильным диском. Если прилагать усилие перпендикулярно поворотному основанию или изменить направление давления во время резки, это приведет к снижению точности резки.

1. Устанавливайте скользящую планку слева во избежание соприкосновения с кареткой.
2. Разблокируйте стопорный штифт и ослабьте барашковый винт на направляющем кронштейне, чтобы обеспечить свободный подъем и перемещение каретки.
3. Отрегулируйте угол скоса согласно процедуре, изложенной в разделе о регулировке угла скоса. После этого затяните ручку.
4. Надежно закрепите обрабатываемую деталь в тисках.
5. Подайте каретку полностью на себя.
6. Включите инструмент, следя за тем, чтобы диск циркулярной пилы ни с чем не соприкасался, и дождитесь, пока диск циркулярной пилы наберет максимальную скорость.
7. Осторожно опустите рукоятку в нижнее положение до упора, прилагая давление параллельно с диском циркулярной пилы, и надавите на каретку в сторону направляющей линейки для распила обрабатываемой детали.
8. По завершении распиливания отключите инструмент и дождитесь полной остановки диска циркулярной пилы, прежде чем перевести пильный диск в верхнее положение до упора.

► Рис.43

Сложная резка

Сложная резка представляет собой процесс, при котором резка со скосом применяется одновременно с резкой под углом. Сложную резку можно выполнять под углами, указанными в таблице.

Угол резки	Угол скоса
Влево и вправо 0° — 45°	Влево 0 - 45°

При выполнении сложной резки см. объяснения в разделах "Резка с нажимом", "Скользкий распил (с проталкиванием)", "Резка под углом" и "Резка со скосом".

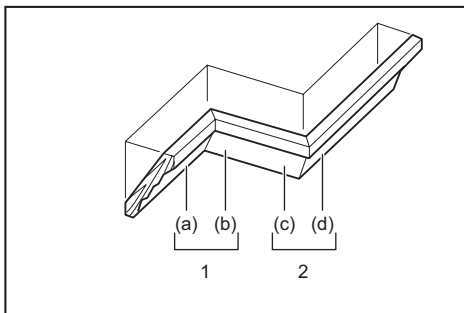
Обработка поясков и погонажа с закругленным углублением

Пояски и погонаж с закругленным углублением можно распиливать на пиле для сложной угловой резки. Для этого детали укладываются плашмя на поворотное основание.

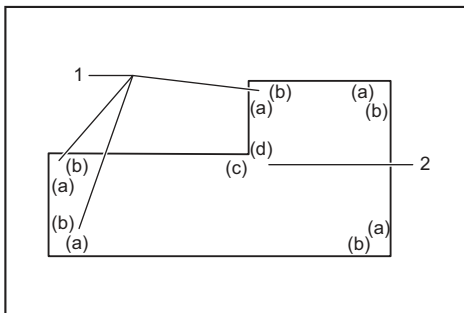
Существуют два основных типа поясков и один тип погонажа с закругленным углублением: пояски со стеновым углом 52/38°, пояски со стеновым углом 45° и погонаж со стеновым углом 45°.

- Рис.44: 1. Поясок со стеновым углом 52/38°
2. Поясок со стеновым углом 45°
3. Погонаж со стеновым углом 45°

Имеются стыковые детали для поясков и погонажа с закругленным углублением для следующих типов углов: "внутренние" углы 90° ((a) и (b) на рисунке) и "внешние" углы 90° ((c) и (d) на рисунке).



1. Внутренний угол 2. Наружный угол



1. Внутренний угол 2. Наружный угол

Измерение

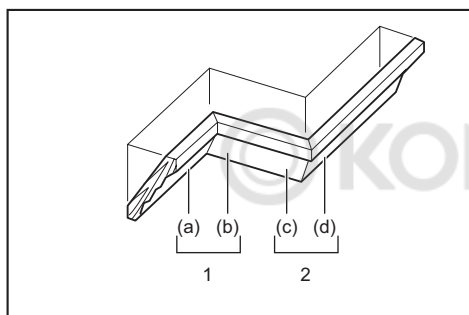
Измерьте ширину стены и отрегулируйте ширину обрабатываемой детали соответствующим образом. Обязательно убедитесь, что ширина края детали, контактирующего со стеной, совпадает с длиной стены.

► **Рис.45:** 1. Обрабатываемая деталь 2. Ширина стены 3. Ширина обрабатываемой детали 4. Край детали, контактирующий со стеной

Обязательно используйте несколько заготовок для пробных срезов, чтобы проверить угол установки пилы.

При обрезке поясков и погонажа с закругленным углублением устанавливайте угол фаски и угол отрезки как показано в таблице (А) и устанавливайте детали на верхнюю поверхность основания пилы как указано в таблице (В).

В случае снятия левой фаски



1. Внутренний угол 2. Наружный угол

Таблица (А)

–	Положение пояска на рисунке	Угол скоса		Угол резки	
		Тип 52/38°	Тип 45°	Тип 52/38°	Тип 45°
Для внутреннего угла	(a)	Левый 33,9°	Левый 30°	Правый 31,6°	Правый 35,3°
	(b)			Левый 31,6°	Левый 35,3°
Для наружного угла	(c)			Правый 31,6°	Правый 35,3°
	(d)				

Таблица (В)

–	Положение пояска на рисунке	Край пояска у ограждения направляющей	Готовая деталь
Для внутреннего угла	(a)	Край, касающийся потолка, должен находиться рядом с ограждением направляющей.	Готовая деталь будет находиться с левой стороны от диска циркулярной пилы.
	(b)	Край, касающийся стены, должен находиться рядом с ограждением направляющей.	
Для наружного угла	(c)	Край, касающийся потолка, должен находиться рядом с ограждением направляющей.	Готовая деталь будет находиться с правой стороны от диска циркулярной пилы.
	(d)	Край, касающийся потолка, должен находиться рядом с ограждением направляющей.	

Пример:

В случае отрезания пояска типа 52/38° для положения (a) на рисунке выше:

- Наклоните и зафиксируйте угол фаски 33,9° ЛЕВ.
- Отрегулируйте и зафиксируйте угол отрезки 31,6° ПРАВ.
- Положите поясок широкой стороной (обратной) на поворотное основание так, чтобы КРАЙ, КОНТАКТИРУЮЩИЙ С ПОТОЛКОМ, был прижат к направляющей линейке на пиле.
- После завершения резки готовая деталь будет всегда находиться с ЛЕВОЙ стороны от пильного диска.

Резка алюминиевого профиля

При креплении алюминиевого профиля используйте распорные блоки или детали металлолома, как показано на рисунке, чтобы предотвратить деформацию алюминия. При резке алюминиевого профиля используйте для резки смазочно-охлаждающую жидкость, чтобы предотвратить накопление алюминиевого материала на пильном диске.

▲ ОСТОРОЖНО: Никогда не пытайтесь резать толстый или круглый алюминиевый профиль. Толстые или круглые алюминиевые детали трудно закрепить, во время резания они могут сорваться, вызвать потерю контроля над инструментом и причинить тяжелые травмы.

- **Рис.46:** 1. Тиски 2. Распорный блок 3. Направляющая линейка 4. Алюминиевый профиль 5. Распорный блок

Резка одинаковой длины

При распиливании нескольких деталей одинаковой длины от 225 мм до 350 мм потяните вверх установочную пластину, как показано на рисунке. Зафиксируйте обрабатываемую деталь в положении для резки. Сдвиньте правую подоснову таким образом, чтобы установочная пластина находилась вровень с торцом обрабатываемой детали. Затем зафиксируйте подоснову с помощью барашкового винта.

- **Рис.47:** 1. Установочная пластина
2. Барашковый винт

Резка пазов

⚠ОСТОРОЖНО: Не пытайтесь выполнять такую резку при помощи более широкого диска или диска для выборки пазов. Попытка сделать надрез с помощью широкого диска или диска для выборки пазов может привести к неожиданным результатам и возникновению отдачи, которые могут стать причиной тяжелых травм.

⚠ОСТОРОЖНО: Обязательно возвращайте ограничительный рычаг в исходное положение, если выполняете какой-либо разрез кроме выборки паза. Попытка резки с ограничительным рычагом в неправильном положении может привести к неожиданным результатам и возникновению отдачи, которые могут стать причиной тяжелых травм.

Для вырезания соединительного прямоугольного паза выполните следующие действия:

1. Отрегулируйте нижнее предельное положение пильного диска регулировочным винтом и стопорным рычагом, чтобы ограничить глубину резки пильного диска. См. раздел “Стопорный рычаг”.
 2. После регулировки нижнего предельного положения пильного диска вырежьте параллельные пазы по всей ширине обрабатываемой детали с помощью скользящего (с нажимом) разреза.
- **Рис.48:** 1. Вырезание пазов пильным диском
3. Удалите материал из обрабатываемой детали между пазами с помощью стамески.

Переноска инструмента

Перед переноской инструмента обязательно отсоединяйте его от электрической сети и фиксируйте все его движущиеся детали. Обязательно проверяйте выполнение следующих условий:

- Инструмент отключен от сети.
- Угол скоса каретки составляет 0°, каретка зафиксирована.
- Каретка зафиксирована в нижнем положении.
- Каретка отведена на вас до упора и заблокирована.
- Поворотное основание зафиксировано под прямым углом резки.

Переносите инструмент, держа его за ручку для переноски и одну из сторон основания инструмента либо за обе стороны основания инструмента.

► **Рис.49**

► **Рис.50**

⚠ОСТОРОЖНО: Стопорный штифт для подъема каретки предназначен исключительно для переноски, хранения и регулировки, а не для операций резки. Использование стопорного штифта для операций резки может вызвать неожиданное перемещение диска циркулярной пилы, приводящее к отдаче и тяжелым травмам.

⚠ВНИМАНИЕ: Перед переноской инструмента обязательно закрепите все подвижные части. Если во время переноски какие-либо компоненты инструмента движутся или скользят, можно потерять контроль над инструментом и получить тяжелую травму.

⚠ВНИМАНИЕ: Убедитесь в том, что каретка правильно зафиксирована в нижнем положении стопорным штифтом. Если стопорный штифт вошел в контакт неправильно, каретка может внезапно подскочить, что может стать причиной травмы.

ОБСЛУЖИВАНИЕ

⚠ОСТОРОЖНО: Перед проверкой или проведением техобслуживания убедитесь, что инструмент выключен, а штекер отсоединен от розетки. Несоблюдение этого требования может стать причиной тяжелой травмы из-за случайного включения инструмента.

⚠ОСТОРОЖНО: Обязательно следите за заточкой и чистотой пильного диска для обеспечения максимально эффективной и безопасной работы. Использование тупого или загрязненного пильного диска может привести к возникновению отдачи и тяжелым травмам.

ПРИМЕЧАНИЕ: Запрещается использовать бензин, растворители, спирт и другие подобные жидкости. Это может привести к обезцвечиванию, деформации и трещинам.

Для обеспечения БЕЗОПАСНОСТИ и НАДЕЖНОСТИ оборудования ремонт, любое другое техобслуживание или регулировку необходимо производить в уполномоченных сервис-центрах Makita или сервис-центрах предприятия с использованием только сменных частей производства Makita.

Регулировка угла резки

Данный инструмент тщательно отрегулирован и выверен на предприятии-изготовителе, но грубая эксплуатация может нарушить регулировку. Если регулировка вашего инструмента нарушена, выполните следующее:

Угол резки

1. Заблокируйте каретку в нижнем положении стопорным штифтом. Подайте каретку по направлению к направляющей линейке и затяните барашковый винт, чтобы зафиксировать каретку.
2. Установите поворотное основание в положение 0°, используя функцию блокировки с помощью неподвижного упора. (Оставьте его как есть, если указатель не показывает на 0°).

3. Шестигранным ключом ослабьте болты с внутренними шестигранниками, фиксирующие направляющую линейку.

► **Рис.51:** 1. Столпный штифт 2. Барашковый винт 3. Болты с внутренним шестигранником

4. Установите прямой угол пильного диска по отношению к стороне направляющей линейки с помощью треугольной линейки или угольника. Затем надежно затяните болты с внутренним шестигранником на направляющей линейке по порядку начиная с правой стороны.

► **Рис.52:** 1. Направляющая линейка
2. Треугольная линейка

5. Если указатель не указывает на 0°, ослабьте винт крепления указателя и отрегулируйте таким образом, чтобы он указывал на 0°.

► **Рис.53:** 1. Винт 2. Указатель 3. Шкала угла резки

Угол скоса

Угол скоса в 0°

1. Заблокируйте каретку в нижнем положении стопорным штифтом. Подайте каретку по направлению к направляющей линейке и затяните барашковый винт, чтобы зафиксировать каретку.

2. Ослабьте рычаг. Затем поверните болт регулировки 0° на два-три оборота против часовой стрелки, чтобы наклонить диск циркулярной пилы вправо.

► **Рис.54:** 1. Рычаг 2. Болт регулировки 0°

3. Тщательно установите пильный диск под прямым углом по отношению к верхней поверхности поворотного основания с помощью треугольной линейки, угольника и т. д., повернув болт регулировки 0° по часовой стрелке. Затем надежно затяните рычаг, чтобы зафиксировать установленный угол 0°.

► **Рис.55:** 1. Треугольная линейка 2. Пильный диск
3. Верхняя поверхность поворотного основания

4. Если указатель не указывает на 0°, ослабьте винт крепления указателя и отрегулируйте таким образом, чтобы он указывал на 0°.

► **Рис.56:** 1. Винт 2. Указатель 3. Шкала угла скоса

Угол скоса в 45°

ПРИМЕЧАНИЕ: Перед регулировкой угла скоса 45° завершите регулировку угла скоса 0°.

1. Затяните барашковый винт, чтобы закрепить каретку.

2. Ослабьте рычаг. Затем наклоните каретку влево до упора.

► **Рис.57:** 1. Барашковый винт 2. Рычаг

3. Убедитесь, что указатель указывает положение 45° на шкале угла скоса.

Если указатель не указывает положение 45°, переведите его в положение 45°, поворачивая болт регулировки 45°.

► **Рис.58:** 1. Болт регулировки 45°

Замена угольных щеток

Регулярно снимайте и осматривайте угольные щетки. Заменяйте их, если они изношены до ограничительной отметки. Угольные щетки всегда должны быть чистыми и свободно перемещаться в держателях. Заменяйте обе угольные щетки одновременно. Используйте только идентичные угольные щетки.

► **Рис.59:** 1. Ограничительная метка

Используйте шуруповерт для снятия колпачков держателей щеток. Извлеките изношенные угольные щетки, вставьте новые и закрутите колпачки держателей щеток.

► **Рис.60:** 1. Колпачок держателя щетки

После использования

После использования инструмента сотрите щепу и пыль, прилипшие к инструменту, с помощью ткани или аналогичных средств. Содержите ограждение диска в чистом виде в соответствии с инструкциями в разделе "Ограждение диска". Смазывайте скользящие части машинным маслом для предотвращения коррозии.

ДОПОЛНИТЕЛЬНЫЕ ПРИНАДЛЕЖНОСТИ

▲ОСТОРОЖНО: Данные принадлежности или приспособления рекомендуются для использования с инструментом Makita, указанным в настоящем руководстве. Использование любых других принадлежностей или приспособлений может привести к тяжелым травмам.

▲ОСТОРОЖНО: Используйте принадлежности или приспособления Makita только по назначению. Неправильное использование принадлежности или приспособления может привести к тяжелым травмам.

Если вам необходимо содействие в получении дополнительной информации по этим принадлежностям, свяжитесь с вашим сервис-центром Makita.

- Стальные и твердосплавные пильные диски
- Вертикальные тиски
- Пылесборный мешок
- Треугольная линейка
- Шестигранный ключ
- Комплект стоек

ПРИМЕЧАНИЕ: Некоторые элементы списка могут входить в комплект инструмента в качестве стандартных приспособлений. Они могут отличаться в зависимости от страны.



Makita Europe N.V.

Jan-Baptist Vinkstraat 2, 3070 Kortenberg, Belgium

Makita Corporation

3-11-8, Sumiyoshi-cho, Anjo, Aichi 446-8502 Japan

www.makita.com



LS0816F-SE9-2305
EN, SV, NO, FI, DA,
LV, LT, ET, RU
20230615