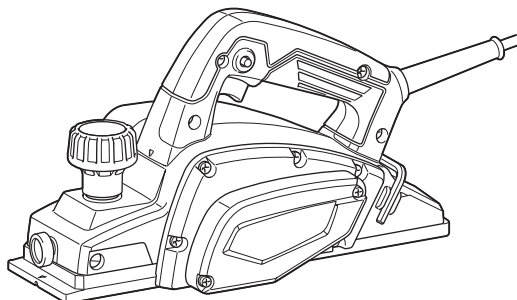


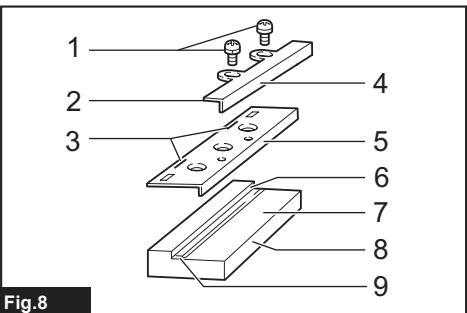
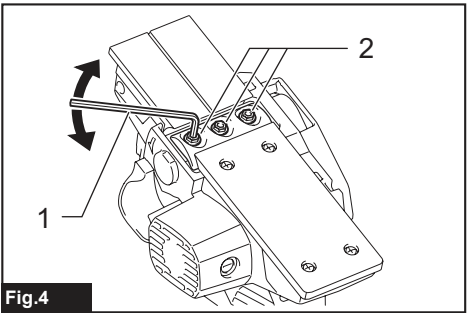
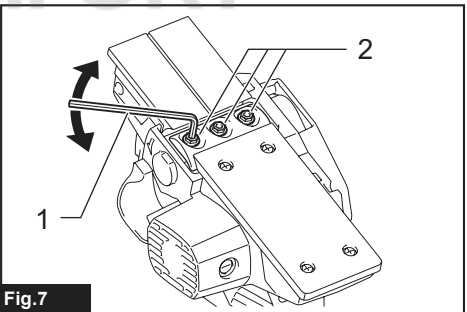
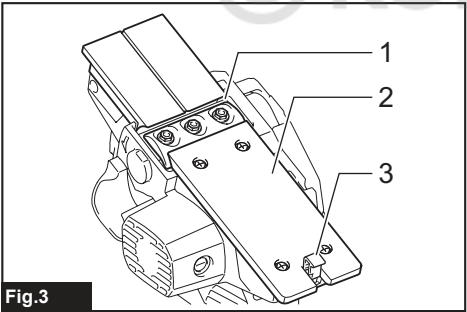
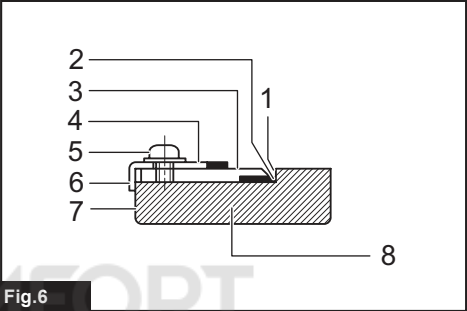
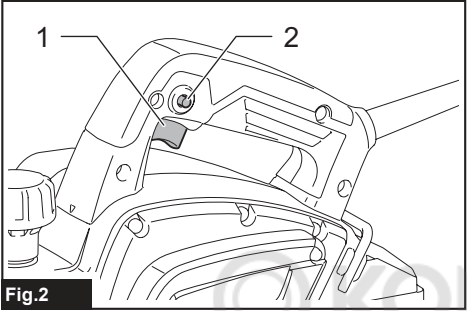
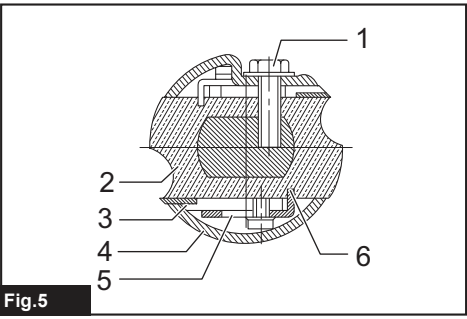
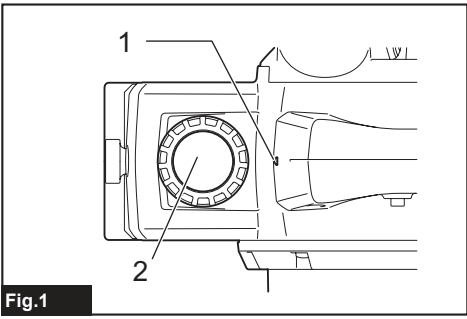


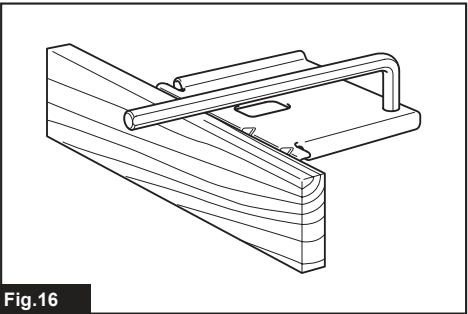
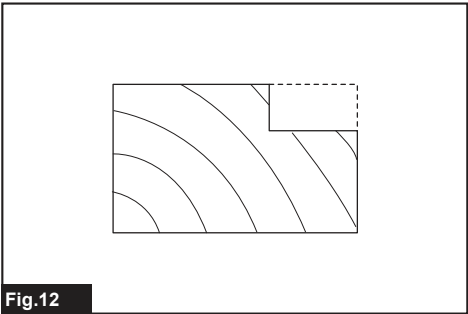
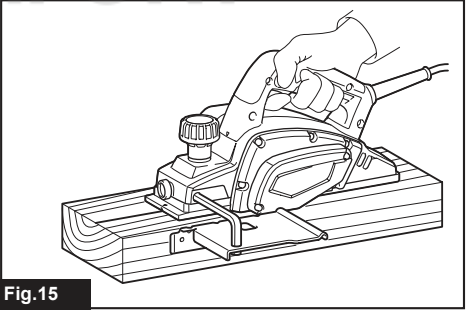
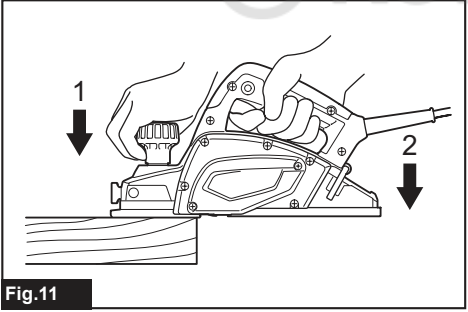
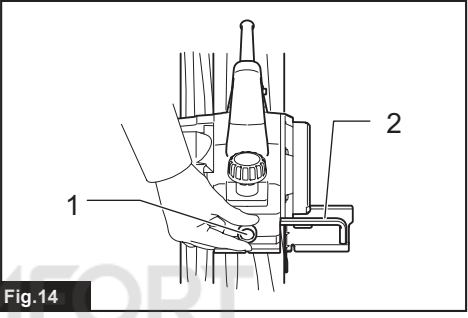
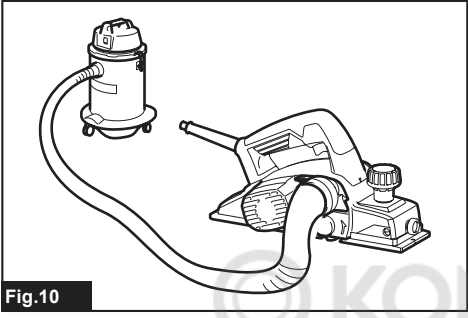
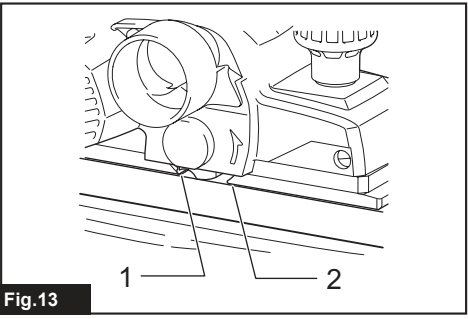
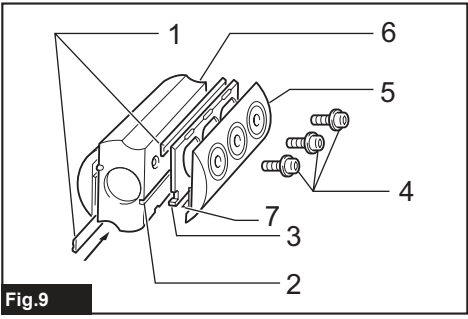
EN	Planer	INSTRUCTION MANUAL	5
RU	Рубанок	РУКОВОДСТВО ПО ЭКСПЛУАТАЦИИ	11
KK	Жонғы	ПАЙДАЛАНУ ЖӨНІНДЕГІ НҰСҚАУЛЫҚ	19

© KOMFORT

M1902







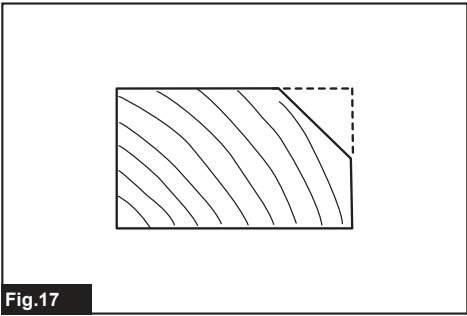


Fig.17

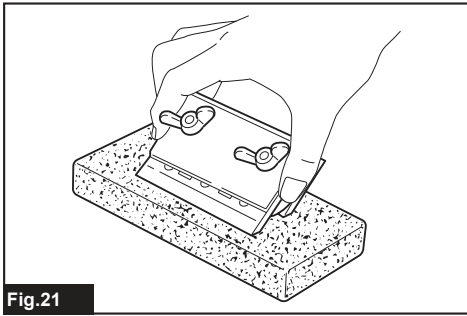


Fig.21

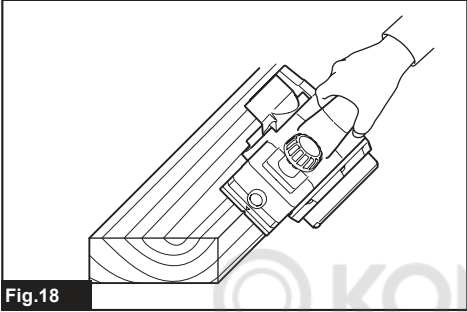


Fig.18

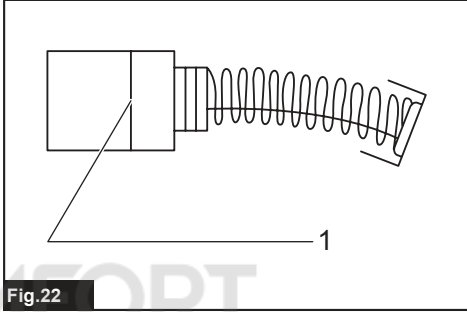


Fig.22

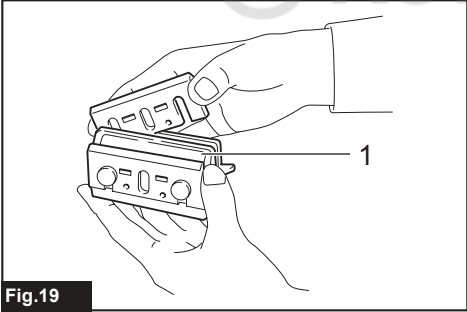


Fig.19

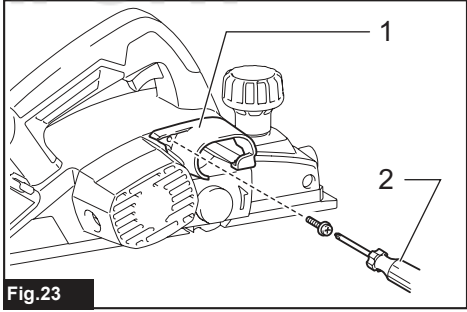


Fig.23

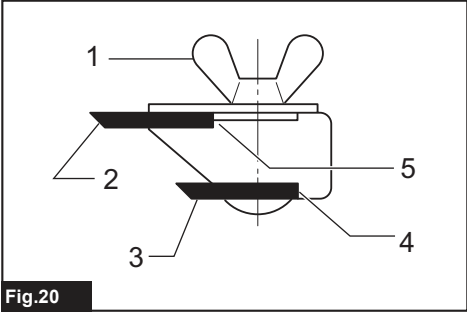


Fig.20

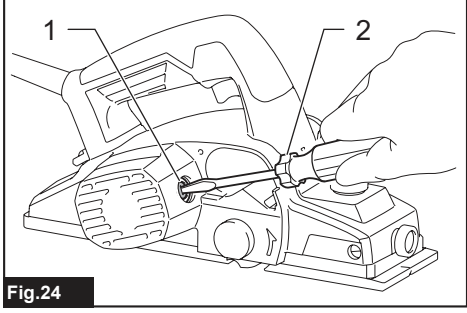


Fig.24

SPECIFICATIONS

Model:		M1902
Planing width		82 mm
Planing depth		1 mm
Shiplapping depth		9 mm
No load speed		16,000 min ⁻¹
Overall length	Without foot	278 mm
	With foot	285 mm
Net weight		2.8 kg
Safety class		□/II

- Due to our continuing program of research and development, the specifications herein are subject to change without notice.
- Specifications may differ from country to country.
- Weight according to EPTA-Procedure 01/2014

Symbols

The followings show the symbols used for the equipment. Be sure that you understand their meaning before use.



Read instruction manual.



DOUBLE INSULATION



Only for EU countries
Do not dispose of electric equipment together with household waste material! In observance of the European Directive, on Waste Electric and Electronic Equipment and its implementation in accordance with national law, electric equipment that have reached the end of their life must be collected separately and returned to an environmentally compatible recycling facility.

Intended use

The tool is intended for planing wood.

Power supply

The tool should be connected only to a power supply of the same voltage as indicated on the nameplate, and can only be operated on single-phase AC supply. They are double-insulated and can, therefore, also be used from sockets without earth wire.

Noise

The typical A-weighted noise level determined according to EN62841-2-14:

Sound pressure level (L_{pA}) : 84 dB(A)

Sound power level (L_{WA}) : 95 dB (A)

Uncertainty (K) : 3 dB(A)

NOTE: The declared noise emission value(s) has been measured in accordance with a standard test method and may be used for comparing one tool with another.

NOTE: The declared noise emission value(s) may also be used in a preliminary assessment of exposure.

⚠ WARNING: Wear ear protection.

⚠ WARNING: The noise emission during actual use of the power tool can differ from the declared value(s) depending on the ways in which the tool is used especially what kind of workpiece is processed.

⚠ WARNING: Be sure to identify safety measures to protect the operator that are based on an estimation of exposure in the actual conditions of use (taking account of all parts of the operating cycle such as the times when the tool is switched off and when it is running idle in addition to the trigger time).

Vibration

The vibration total value (tri-axial vector sum) determined according to EN62841-2-14:

Work mode: planing softwood

Vibration emission (a_h) : 3.0 m/s²

Uncertainty (K) : 1.5 m/s²

NOTE: The declared vibration total value(s) has been measured in accordance with a standard test method and may be used for comparing one tool with another.

NOTE: The declared vibration total value(s) may also be used in a preliminary assessment of exposure.

⚠ WARNING: The vibration emission during actual use of the power tool can differ from the declared value(s) depending on the ways in which the tool is used especially what kind of workpiece is processed.

⚠ WARNING: Be sure to identify safety measures to protect the operator that are based on an estimation of exposure in the actual conditions of use (taking account of all parts of the operating cycle such as the times when the tool is switched off and when it is running idle in addition to the trigger time).

EC Declaration of Conformity

For European countries only

The EC declaration of conformity is included as Annex A to this instruction manual.

SAFETY WARNINGS

General power tool safety warnings

⚠ WARNING: Read all safety warnings, instructions, illustrations and specifications provided with this power tool. Failure to follow all instructions listed below may result in electric shock, fire and/or serious injury.

Save all warnings and instructions for future reference.

The term "power tool" in the warnings refers to your mains-operated (corded) power tool or battery-operated (cordless) power tool.

Work area safety

1. **Keep work area clean and well lit.** Cluttered or dark areas invite accidents.
2. **Do not operate power tools in explosive atmospheres, such as in the presence of flammable liquids, gases or dust.** Power tools create sparks which may ignite the dust or fumes.
3. **Keep children and bystanders away while operating a power tool.** Distractions can cause you to lose control.

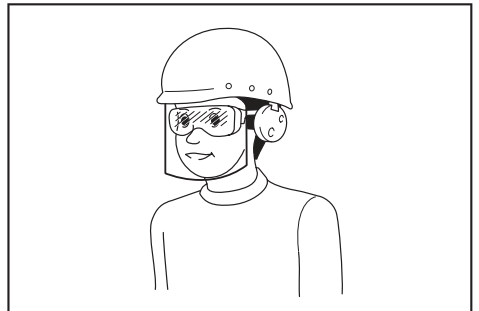
Electrical Safety

1. **Power tool plugs must match the outlet. Never modify the plug in any way. Do not use any adapter plugs with earthed (grounded) power tools.** Unmodified plugs and matching outlets will reduce risk of electric shock.
2. **Avoid body contact with earthed or grounded surfaces, such as pipes, radiators, ranges and refrigerators.** There is an increased risk of electric shock if your body is earthed or grounded.
3. **Do not expose power tools to rain or wet conditions.** Water entering a power tool will increase the risk of electric shock.
4. **Do not abuse the cord. Never use the cord for carrying, pulling or unplugging the power tool. Keep cord away from heat, oil, sharp edges or moving parts.** Damaged or entangled cords increase the risk of electric shock.
5. **When operating a power tool outdoors, use an extension cord suitable for outdoor use.** Use of a cord suitable for outdoor use reduces the risk of electric shock.
6. **If operating a power tool in a damp location is unavoidable, use a residual current device (RCD) protected supply.** Use of an RCD reduces the risk of electric shock.
7. **Use of power supply via an RCD with a rated residual current of 30 mA or less is always recommended.**
8. **Power tools can produce electromagnetic fields (EMF) that are not harmful to the user.** However, users of pacemakers and other similar medical devices should contact the maker of their device and/ or doctor for advice before operating this power tool.

9. **Do not touch the power plug with wet hands.**
10. **If the cord is damaged, have it replaced by the manufacturer or his agent in order to avoid a safety hazard.**

Personal Safety

1. **Stay alert, watch what you are doing and use common sense when operating a power tool. Do not use a power tool while you are tired or under the influence of drugs, alcohol or medication.** A moment of inattention while operating power tools may result in serious personal injury.
2. **Use personal protective equipment. Always wear eye protection.** Protective equipment such as a dust mask, non-skid safety shoes, hard hat or hearing protection used for appropriate conditions will reduce personal injuries.
3. **Prevent unintentional starting. Ensure the switch is in the off-position before connecting to power source and/or battery pack, picking up or carrying the tool.** Carrying power tools with your finger on the switch or energising power tools that have the switch on invites accidents.
4. **Remove any adjusting key or wrench before turning the power tool on.** A wrench or a key left attached to a rotating part of the power tool may result in personal injury.
5. **Do not overreach. Keep proper footing and balance at all times.** This enables better control of the power tool in unexpected situations.
6. **Dress properly. Do not wear loose clothing or jewellery. Keep your hair and clothing away from moving parts.** Loose clothes, jewellery or long hair can be caught in moving parts.
7. **If devices are provided for the connection of dust extraction and collection facilities, ensure these are connected and properly used.** Use of dust collection can reduce dust-related hazards.
8. **Do not let familiarity gained from frequent use of tools allow you to become complacent and ignore tool safety principles.** A careless action can cause severe injury within a fraction of a second.
9. **Always wear protective goggles to protect your eyes from injury when using power tools. The goggles must comply with ANSI Z87.1 in the USA, EN 166 in Europe, or AS/NZS 1336 in Australia/New Zealand. In Australia/New Zealand, it is legally required to wear a face shield to protect your face, too.**



It is an employer's responsibility to enforce the use of appropriate safety protective equipments by the tool operators and by other persons in the immediate working area.

Power tool use and care

1. **Do not force the power tool. Use the correct power tool for your application.** The correct power tool will do the job better and safer at the rate for which it was designed.
2. **Do not use the power tool if the switch does not turn it on and off.** Any power tool that cannot be controlled with the switch is dangerous and must be repaired.
3. **Disconnect the plug from the power source and/or remove the battery pack, if detachable, from the power tool before making any adjustments, changing accessories, or storing power tools.** Such preventive safety measures reduce the risk of starting the power tool accidentally.
4. **Store idle power tools out of the reach of children and do not allow persons unfamiliar with the power tool or these instructions to operate the power tool.** Power tools are dangerous in the hands of untrained users.
5. **Maintain power tools and accessories. Check for misalignment or binding of moving parts, breakage of parts and any other condition that may affect the power tool's operation. If damaged, have the power tool repaired before use.** Many accidents are caused by poorly maintained power tools.
6. **Keep cutting tools sharp and clean.** Properly maintained cutting tools with sharp cutting edges are less likely to bind and are easier to control.
7. **Use the power tool, accessories and tool bits etc. in accordance with these instructions, taking into account the working conditions and the work to be performed.** Use of the power tool for operations different from those intended could result in a hazardous situation.
8. **Keep handles and grasping surfaces dry, clean and free from oil and grease.** Slippery handles and grasping surfaces do not allow for safe handling and control of the tool in unexpected situations.
9. **When using the tool, do not wear cloth work gloves which may be entangled.** The entanglement of cloth work gloves in the moving parts may result in personal injury.

Service

1. **Have your power tool serviced by a qualified repair person using only identical replacement parts.** This will ensure that the safety of the power tool is maintained.
2. **Follow instruction for lubricating and changing accessories.**

Planer Safety Warnings

1. **Wait for the cutter to stop before setting the tool down.** An exposed rotating cutter may engage the surface leading to possible loss of control and serious injury.
2. **Hold the power tool by insulated gripping surfaces, because the cutter may contact its own cord.** Cutting a "live" wire may make exposed metal parts of the power tool "live" and could give the operator an electric shock.

3. **Use clamps or another practical way to secure and support the workpiece to a stable platform.** Holding the workpiece by your hand or against the body leaves it unstable and may lead to loss of control.
4. **Rags, cloth, cord, string and the like should never be left around the work area.**
5. **Avoid cutting nails. Inspect for and remove all nails from the workpiece before operation.**
6. **Use only sharp blades. Handle the blades very carefully.**
7. **Be sure the blade installation bolts are securely tightened before operation.**
8. **Hold the tool firmly with both hands.**
9. **Keep hands away from rotating parts.**
10. **Before using the tool on an actual workpiece, let it run for a while. Watch for vibration or wobbling that could indicate poor installation or a poorly balanced blade.**
11. **Make sure the blade is not contacting the workpiece before the switch is turned on.**
12. **Wait until the blade attains full speed before cutting.**
13. **Always switch off and wait for the blades to come to a complete stop before any adjusting.**
14. **Never stick your finger into the chip chute. Chute may jam when cutting damp wood. Clean out chips with a stick.**
15. **Do not leave the tool running. Operate the tool only when hand-held.**
16. **Always change both blades or covers on the drum, otherwise the resulting imbalance will cause vibration and shorten tool life.**
17. **Use only Makita blades specified in this manual.**
18. **Always use the correct dust mask/respirator for the material and application you are working with.**

SAVE THESE INSTRUCTIONS.

⚠WARNING: DO NOT let comfort or familiarity with product (gained from repeated use) replace strict adherence to safety rules for the subject product.

MISUSE or failure to follow the safety rules stated in this instruction manual may cause serious personal injury.

FUNCTIONAL DESCRIPTION

CAUTION: Always be sure that the tool is switched off and unplugged before adjusting or checking function on the tool.

Adjusting depth of cut

► **Fig.1:** 1. Pointer 2. Knob

Depth of cut may be adjusted by simply turning the knob on the front of the tool so that the pointer points the desired depth of cut.

Switch action

► **Fig.2:** 1. Switch trigger 2. Lock button or Lock-off button

CAUTION: Before plugging in the tool, always check to see that the switch trigger actuates properly and returns to the "OFF" position when released.

For tool with lock button

CAUTION: Switch can be locked in "ON" position for ease of operator comfort during extended use. Apply caution when locking tool in "ON" position and maintain firm grasp on tool.

To start the tool, simply pull the switch trigger. Release the switch trigger to stop.

For continuous operation, pull the switch trigger and then push in the lock button.

To stop the tool from the locked position, pull the switch trigger fully, then release it.

For tool with lock-off button

To prevent the switch trigger from being accidentally pulled, a lock-off button is provided.

To start the tool, depress the lock-off button and pull the switch trigger. Release the switch trigger to stop.

CAUTION: Do not pull the switch trigger hard without depressing the lock-off button. This can cause switch breakage.

Foot

Country specific

► **Fig.3:** 1. Planer blade 2. Rear base 3. Foot

After a cutting operation, raise the back side of the tool so that the foot comes out of the rear base. This prevents the planer blades to be damaged.

ASSEMBLY

CAUTION: Always be sure that the tool is switched off and unplugged before carrying out any work on the tool.

Removing or installing planer blades

CAUTION: Tighten the blade installation bolts carefully when attaching the planer blades to the tool. A loose installation bolt can be dangerous. Always check to see they are tightened securely.

CAUTION: Handle the planer blades very carefully. Use gloves or rags to protect your fingers or hands when removing or installing the blades.

CAUTION: Use only the Makita wrench provided to remove or install the planer blades. Failure to do so may result in overtightening or insufficient tightening of the installation bolts. This could cause an injury.

For tool with conventional planer blades

To remove the planer blades on the drum, unscrew the installation bolts with the hex wrench. The drum cover comes off together with the blades.

► **Fig.4:** 1. Hex wrench 2. Bolts

► **Fig.5:** 1. Bolts 2. Drum 3. Planer blade 4. Drum cover 5. Adjusting plate 6. Groove

To install the planer blades, do the following procedure.

1. Clean out all chips or foreign matter adhering to the drum and planer blades.
2. Choose planer blades of the same dimensions and weight. Otherwise drum oscillation/vibration will result, causing poor planing action and, eventually, tool breakdown.
3. Use the blade gauge to set the planer blades correctly. Put the planer blade on the blade gauge. Apply the cutting edge of the blade on the inside flank of the blade gauge.
► **Fig.6:** 1. Inside flank of blade gauge 2. Blade edge 3. Planer blade 4. Adjusting plate 5. Screws 6. Heel 7. Back side of blade gauge 8. Blade gauge
4. Place the adjusting plate on the planer blade. Press the adjusting plate so that its heel is flush with the back side of blade gauge. Tighten two screws on the adjusting plate.
5. Slip the heel of the adjusting plate into the drum groove, then fit the drum cover on it.
6. Tighten all the installation bolts evenly and alternately with the hex wrench.
7. Repeat the procedure above for the other blade.

For tool with mini planer blades

To replace the mini planer blades, do the following procedure.

1. Carefully clean the drum surfaces and the drum cover.
2. Unscrew the three installation bolts with the hex wrench. Remove the drum cover, adjusting plate, set plate and the mini planer blade.

► **Fig.7:** 1. Hex wrench 2. Bolts

3. Use the blade gauge to set the planer blades correctly. Put the mini planer blade on the blade gauge. Apply the cutting edge of the blade on the inside flank of the blade gauge.

► **Fig.8:** 1. Screws 2. Adjusting plate 3. Planer blade locating lugs 4. Heel of adjusting plate 5. Set plate 6. Inside flank of blade gauge 7. Blade gauge 8. Back side of blade gauge 9. Mini planer blade

4. Loosely attach the adjusting plate to the set plate with the screws. Put the adjusting plate and set plate on the blade gauge. Fit the planer blade locating lugs on the set plate into the mini planer blade groove.

5. Apply the heel of the adjusting plate onto the back side of the blade gauge and tighten the screws. Check the alignments carefully to ensure uniform cutting.

6. Slip the heel of the adjusting plate into the groove of the drum.

7. Put the drum cover on the set plate and loosely fit them onto the drum with the three bolts. Slip the mini planer blade into the space between the drum and set plate. Make sure that the planer blade locating lugs on the set plate fit in the mini planer blade groove.

► **Fig.9:** 1. Mini planer blade 2. Groove 3. Set plate 4. Bolts 5. Drum cover 6. Drum 7. Adjusting plate

8. Adjust the mini planer blade position lengthway so that the blade ends are clear and equidistant from the housing on one side and the metal bracket on the other.

9. Tighten the three bolts with the socket wrench provided and rotate the drum to check the clearances between the blade ends and the tool body.

10. Check the three bolts for final tightness.

11. Repeat the procedure above for the other blade.

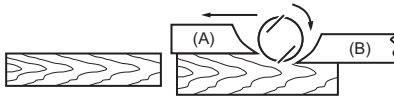
For the correct planer blade setting

Your planing surface will end up rough and uneven, unless the planer blade is set properly and securely. The planer blade must be mounted so that the cutting edge is absolutely level, that is, parallel to the surface of the rear base. Refer to some examples below for proper and improper settings.

(A) Front base (Movable shoe)

(B) Rear base (Stationary shoe)

Correct setting



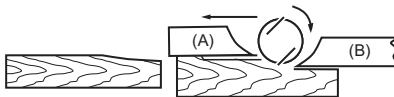
Although this side view cannot show it, the edges of the blades run perfectly parallel to the rear base surface.

Nicks in surface



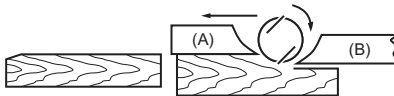
Cause: One or both blades fails to have edge parallel to rear base line.

Gouging at start



Cause: One or both blade edges fails to protrude enough in relation to rear base line.

Gouging at end



Cause: One or both blade edges protrudes too far in relation to rear base line.

Connecting a vacuum cleaner

NOTE: In some countries, the nozzle may not be included in the tool package as standard accessory.

► **Fig.10**

For tool with nozzle

Connect a hose of the vacuum cleaner to the nozzle.

For tool without nozzle

1. Remove the chip cover from the tool.
2. Install the nozzle on the tool using the screws.
3. Connect a hose of the vacuum cleaner to the nozzle.

Nozzle cleaning

Clean the nozzle regularly.
Use a compressed air to clean the clogged nozzle.

OPERATION

⚠ WARNING: To reduce the risk of injury to persons, do not operate without nozzle or chip cover in place.

Hold the tool firmly with one hand on the knob and the other hand on the switch handle when performing the tool.

Planing operation

► Fig.11: 1. Start 2. End

Apply the tool front base flat upon the workpiece surface without the planer blades contacting the workpiece. Switch on and wait until the blades attain full speed. Then move the tool gently forward at a uniform speed. Apply pressure on the front of tool at the start of planing, and on the rear at the end of planing.

The speed and depth of cut determine the finish. To obtain a good surface finish, plane deeply until you get near the desired depth, and then plane thinly and slowly for the final pass.

Shiplapping (Rabbeting)

► Fig.12

To make a stepped cut as shown in the figure, use the edge fence (guide rule).

Draw a cutting line on the workpiece. Insert the edge fence into the hole in the front of the tool. Align the blade edge with the cutting line.

► Fig.13: 1. Blade edge 2. Cutting line

Adjust the edge fence until it comes in contact with the side of the workpiece, then secure it by tightening the screw.

► Fig.14: 1. Screw 2. Edge fence

When planing, move the tool with the edge fence flush with the side of the workpiece. Otherwise uneven planing may result.

► Fig.15

Maximum shiplapping (rabbeting) depth is 9 mm (11/32").

You may wish to add to the length of the fence by attaching an extra piece of wood. Convenient holes are provided in the fence for this purpose, and also for attaching an extension guide (optional accessory).

► Fig.16

NOTE: The shape of the guide rule is differ from country to country. In some country, the guide rule is not included as a standard accessory.

Chamfering

► Fig.17

► Fig.18

To make a chamfering cut as shown in the figure, align the "V" groove in the front base with the edge of the workpiece and plane it.

MAINTENANCE

⚠ CAUTION: Always be sure that the tool is switched off and unplugged before attempting to perform inspection or maintenance.

⚠ CAUTION: Never use gasoline, benzine, thinner, alcohol or the like. Discoloration, deformation or cracks may result.

Sharpening the planer blades

For conventional planer blades only

Always keep your planer blades sharp for the best performance possible. Use the sharpening holder (optional accessory) to remove nicks and produce a fine edge.

► Fig.19: 1. Sharpening holder

First, loosen the two wing nuts on the holder and insert the planer blades (A) and (B), so that they contact the sides (C) and (D). Then tighten the wing nuts.

► Fig.20: 1. Wing nut 2. Planer blade (A) 3. Planer blade (B) 4. Side (D) 5. Side (C)

Immerse the dressing stone in water for 2 or 3 minutes before sharpening. Hold the holder so that the both blades contact the dressing stone for simultaneous sharpening at the same angle.

► Fig.21

Replacing carbon brushes

► Fig.22: 1. Limit mark

Remove and check the carbon brushes regularly. Replace when they wear down to the limit mark. Keep the carbon brushes clean and free to slip in the holders. Both carbon brushes should be replaced at the same time. Use only identical carbon brushes.

Use a screwdriver to remove the chip cover or nozzle.

► Fig.23: 1. Chip cover or Nozzle 2. Screwdriver

Use a screwdriver to remove the brush holder caps. Take out the worn carbon brushes, insert the new ones and secure the brush holder caps.

► Fig.24: 1. Brush holder cap 2. Screwdriver

To maintain product SAFETY and RELIABILITY, repairs, any other maintenance or adjustment should be performed by Makita Authorized or Factory Service Centers, always using Makita replacement parts.

ТЕХНИЧЕСКИЕ ХАРАКТЕРИСТИКИ

Модель:		M1902
Ширина строгания		82 мм
Глубина строгания		1 мм
Глубина фальцевания		9 мм
Число оборотов без нагрузки		16 000 мин ⁻¹
Общая длина	Без опоры	278 мм
	С опорой	285 мм
Масса нетто		2,8 кг
Класс безопасности		□/II

- Благодаря нашей постоянно действующей программе исследований и разработок указанные здесь технические характеристики могут быть изменены без предварительного уведомления.
- Технические характеристики могут различаться в зависимости от страны.
- Масса в соответствии с процедурой EPTA 01/2014

Символы

Ниже приведены символы, используемые для обозначения. Перед использованием убедитесь, что вы понимаете их значение.



Прочитайте руководство по эксплуатации.



ДВОЙНАЯ ИЗОЛЯЦИЯ



Только для стран ЕС
Не выбрасывайте электрическое оборудование вместе с обычным мусором! В рамках соблюдения Европейской Директивы по утилизации электрического и электронного оборудования и ее применения в соответствии с национальным законодательством, электрооборудование в конце срока своей службы должно утилизироваться отдельно и передаваться для утилизации на предприятие, соответствующее применяемым правилам охраны окружающей среды.

Назначение

Данный инструмент предназначен для строгания древесины.

Источник питания

Данный инструмент должен подключаться к источнику питания с напряжением, соответствующим напряжению, указанному на идентификационной пластине, и может работать только от однофазного источника переменного тока. Он имеет двойную изоляцию и поэтому может подключаться к розеткам без заземления.

Шум

Типичный уровень взвешенного звукового давления (A), измеренный в соответствии с EN62841-2-14:
Уровень звукового давления (L_{РА}): 84 дБ (A)
Уровень звуковой мощности (L_{WA}): 95 дБ (A)
Погрешность (K): 3 дБ (A)

ПРИМЕЧАНИЕ: Заявленное значение распространения шума измерено в соответствии со стандартной методикой испытаний и может быть использовано для сравнения инструментов.

ПРИМЕЧАНИЕ: Заявленное значение распространения шума можно также использовать для предварительных оценок воздействия.

⚠ОСТОРОЖНО: Используйте средства защиты слуха.

⚠ОСТОРОЖНО: Распространение шума во время фактического использования электроинструмента может отличаться от заявленного значения в зависимости от способа применения инструмента и в особенности от типа обрабатываемой детали.

⚠ОСТОРОЖНО: Обязательно определите меры безопасности для защиты оператора, основанные на оценке воздействия в реальных условиях использования (с учетом всех этапов рабочего цикла, таких как выключение инструмента, работа без нагрузки и включение).

Вибрация

Суммарное значение вибрации (сумма векторов по трем осям), определенное в соответствии с EN62841-2-14:
Рабочий режим: плоское шлифование
Распространение вибрации (a_v): 3,0 м/с²
Погрешность (K): 1,5 м/с²

ПРИМЕЧАНИЕ: Заявленное общее значение распространения вибрации измерено в соответствии со стандартной методикой испытаний и может быть использовано для сравнения инструментов.

ПРИМЕЧАНИЕ: Заявленное общее значение распространения вибрации можно также использовать для предварительных оценок воздействия.

⚠ОСТОРОЖНО: Распространение вибрации во время фактического использования электроинструмента может отличаться от заявленного значения в зависимости от способа применения инструмента и в особенности от типа обрабатываемой детали.

⚠ОСТОРОЖНО: Обязательно определите меры безопасности для защиты оператора, основанные на оценке воздействия в реальных условиях использования (с учетом всех этапов рабочего цикла, таких как выключение инструмента, работа без нагрузки и включение).

Декларация о соответствии ЕС

Только для европейских стран

Декларация о соответствии ЕС включена в руководство по эксплуатации (Приложение А).

МЕРЫ БЕЗОПАСНОСТИ

Общие рекомендации по технике безопасности для электроинструментов

⚠ОСТОРОЖНО: Ознакомьтесь со всеми представленными инструкциями по технике безопасности, указаниями, иллюстрациями и техническими характеристиками, прилагаемыми к данному электроинструменту. Несоблюдение каких-либо инструкций, указанных ниже, может привести к поражению электрическим током, пожару и/или серьезной травме.

Сохраните брошюру с инструкциями и рекомендациями для дальнейшего использования.

Термин "электроинструмент" в предупреждениях относится ко всему инструменту, работающему от сети (с проводом) или на аккумуляторах (без провода).

Безопасность в месте выполнения работ

1. Рабочее место должно быть чистым и хорошо освещенным. Захламление и плохое освещение могут стать причиной несчастных случаев.
2. Не пользуйтесь электроинструментом во взрывоопасной атмосфере, например в присутствии легко воспламеняющихся жидкостей, газов или пыли. При работе электроинструмента возникают искры, которые могут привести к воспламенению пыли или газов.

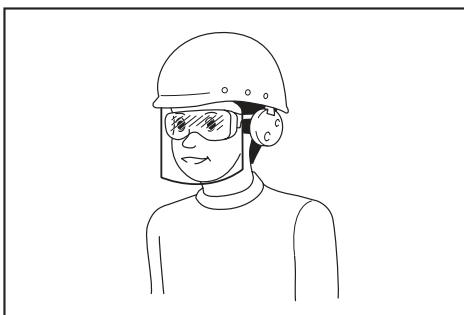
3. При работе с электроинструментом не допускайте детей или посторонних к месту выполнения работ. Не отвлекайтесь во время работы, так как это приведет к потере контроля над электроинструментом.

Электробезопасность

1. Вилка электроинструмента должна соответствовать сетевой розетке. Запрещается вносить какие-либо изменения в конструкцию вилки. Для электроинструмента с заземлением запрещается использовать переходники. Розетки и вилки, не подвергавшиеся изменениям, снижают риск поражения электрическим током.
2. Избегайте контакта участков тела с заземленными поверхностями, такими как трубы, радиаторы, батареи отопления и холодильники. При контакте тела с заземленными предметами увеличивается риск поражения электрическим током.
3. Не подвергайте электроинструмент воздействию дождя или влаги. Попадание воды в электроинструмент повышает риск поражения электрическим током.
4. Аккуратно обращайтесь со шнуром питания. Запрещается использовать шнур питания для переноски, перемещения или извлечения вилки из розетки. Располагайте шнур на расстоянии от источников тепла, масла, острых краев и движущихся деталей. Поврежденные или запутанные сетевые шнуры увеличивают риск поражения электрическим током.
5. При использовании электроинструмента вне помещения используйте удлинитель, подходящий для этих целей. Использование соответствующего шнура снижает риск поражения электрическим током.
6. Если электроинструмент приходится эксплуатировать в сыром месте, используйте линию электропитания, которая защищена устройством, срабатывающим от остаточного тока (RCD). Использование RCD снижает риск поражения электротоком.
7. Рекомендуется использовать питание через RCD с номинальным остаточным током 30 мА или менее.
8. Электроинструмент может создавать электромагнитные поля (EMF), которые не представляют опасности для пользователя. Однако пользователям с кардиостимуляторами и другими аналогичными медицинскими устройствами следует обратиться к производителю устройства и/или врачу перед началом эксплуатации инструмента.
9. Не прикасайтесь к разъему электропитания мокрыми руками.
10. Во избежание угрозы безопасности, в случае повреждения кабеля его необходимо заменить в мастерской изготовителя.

Личная безопасность

1. При использовании электроинструмента будьте бдительны, следите за тем, что вы делаете, и руководствуйтесь здравым смыслом. Не пользуйтесь электроинструментом, если вы устали, находитесь под воздействием наркотиков, алкоголя или лекарственных препаратов. Даже мгновенная невнимательность при использовании электроинструмента может привести к серьезной травме.
2. Используйте индивидуальные средства защиты. Всегда надевайте защитные очки. Такие средства индивидуальной защиты, как маска от пыли, защитная нескользящая обувь, каска или наушники, используемые в соответствующих условиях, позволяют снизить риск получения травмы.
3. Не допускайте случайного запуска. Прежде чем подсоединять инструмент к источнику питания и/или аккумуляторной батарее, поднимать или переносить инструмент, убедитесь, что переключатель находится в выключенном положении. Переноска электроинструмента с пальцем на выключателе или подача питания на инструмент с включенным выключателем может привести к несчастному случаю.
4. Перед включением электроинструмента снимите с него все регулировочные инструменты и гаечные ключи. Гаечный или регулировочный ключ, оставшийся закрепленным на вращающейся детали, может привести к травме.
5. При эксплуатации устройства не тянитесь. Всегда сохраняйте устойчивое положение и равновесие. Это позволит лучше управлять электроинструментом в непредвиденных ситуациях.
6. Одевайтесь соответствующим образом. Не надевайте свободную одежду или украшения. Ваши волосы и одежда должны всегда находиться на расстоянии от движущихся деталей. Свободная одежда, украшения или длинные волосы могут попасть в движущиеся детали устройства.
7. Если электроинструмент оборудован системой удаления и сбора пыли, убедитесь, что она подключена и используется соответствующим образом. Использование пылесборника снижает вероятность возникновения рисков, связанных с пылью.
8. Не переоценивайте свои возможности и не пренебрегайте правилами техники безопасности, даже если вы часто работаете с инструментом. Небрежное обращение с инструментом может стать причиной серьезной травмы за доли секунды.
9. Во время работы с электроинструментом всегда надевайте защитные очки. Очки должны соответствовать ANSI Z87.1 для США, EN 166 для Европы, или AS/NZS 1336 для Австралии и Новой Зеландии. В Австралии и Новой Зеландии оператор также обязан носить защитную маску.



Ответственность за использование средств защиты операторами и другим персоналом вблизи рабочей зоны возлагается на работодателя.

Эксплуатация и обслуживание электроинструмента

1. Не прилагайте излишних усилий к электроинструменту. Используйте инструмент, соответствующий выполняемой вами работе. Правильно подобранный электроинструмент позволит выполнить работу лучше и безопаснее с производительностью, на которую он рассчитан.
2. Не пользуйтесь электроинструментом с неисправным выключателем. Любой электроинструмент с неисправным выключателем опасен и должен быть отремонтирован.
3. Перед выполнением регулировок, сменной принадлежностей или хранением электроинструмента всегда отключайте его от источника питания и/или от аккумулятора или снимайте аккумулятор, если он является съемным. Такие превентивные меры предосторожности снижают риск случайного включения электроинструмента.
4. Храните электроинструменты в местах, недоступных для детей, и не позволяйте лицам, не знакомым с работой такого инструмента или не прочитавшим данные инструкции, пользоваться им. Электроинструмент опасен в руках неопытных пользователей.
5. Поддерживайте электроинструмент и дополнительные принадлежности в надлежащем состоянии. Убедитесь в соосности, отсутствии деформаций движущихся узлов, поломок каких-либо деталей или других дефектов, которые могут повлиять на работу электроинструмента. Если инструмент поврежден, отремонтируйте его перед использованием. Большое число несчастных случаев происходит из-за плохого ухода за электроинструментом.
6. Режущий инструмент всегда должен быть острым и чистым. Соответствующее обращение с режущим инструментом, имеющим острые режущие кромки, делает его менее подверженным деформациям, что позволяет лучше управлять им.

7. Используйте электроинструмент, принадлежности, приспособления и насадки в соответствии с данными инструкциями и в целях, для которых он предназначен, учитывая при этом условия и вид выполняемой работы. Использование электроинструмента не по назначению может привести к возникновению опасной ситуации.
8. Рукоятки инструмента и специальные изолированные поверхности всегда должны быть сухими и чистыми и не содержать следов масла или смазки. Скользкие рукоятки и специальные поверхности препятствуют соблюдению рекомендаций по технике безопасности в экстренных ситуациях.
9. При использовании инструмента не надевайте рабочие перчатки, ткань которых инструмент может затянуть. Затягивание ткани рабочих перчаток в движущиеся части инструмента может привести к травме.

Сервисное обслуживание

1. Сервисное обслуживание электроинструмента должно проводиться только квалифицированным специалистом по ремонту и только с использованием идентичных запасных частей. Это позволит обеспечить безопасность электроинструмента.
2. Следуйте инструкциям по смазке и замене принадлежностей.

Меры безопасности при использовании рубанка

1. Перед тем как положить инструмент, убедитесь, что нож остановился. Выступающий вращающийся нож может зацепить поверхность, что может привести к потере контроля над инструментом и серьезной травме.
2. При выполнении работ существует риск контакта ножа со шнуром питания, поэтому держите электроинструмент только за специальные изолированные поверхности. Разрезание находящегося под напряжением провода может привести к передаче напряжения на металлические части инструмента, что станет причиной поражения оператора током.
3. Для фиксации разрезаемой детали на устойчивой поверхности используйте зажимы или другие соответствующие приспособления. Не держите обрабатываемую деталь в руках и не прижимайте ее к телу, так как это не обеспечит устойчивого положения детали и может привести к потере контроля над инструментом.
4. Ветошь, тряпки, шнуры и веревки никогда не должны располагаться около места выполнения работ.
5. Избегайте попадания режущего инструмента на гвозди. Перед выполнением работ осмотрите деталь и удалите из нее все гвозди.
6. Используйте только острые лезвия. Обращайтесь с лезвиями очень аккуратно.
7. Перед началом работ убедитесь, что установочные болты лезвий надежно затянуты.

8. Крепко держите инструмент обеими руками.
9. Руки должны находиться на расстоянии от вращающихся деталей.
10. Перед использованием инструмента для обработки детали дайте ему немного поработать вхолостую. Убедитесь в отсутствии вибрации или биения, которые могут свидетельствовать о неправильной установке или дисбалансе лезвия.
11. Перед включением убедитесь в том, что полотно не касается обрабатываемой детали.
12. Перед началом резки дождитесь, пока лезвие наберет полную скорость.
13. Перед выполнением каких-либо регулировок обязательно выключите инструмент и дождитесь его полной остановки.
14. Ни в коем случае не допускайте попадания пальцев в желоб отвода стружки. Желоб может забиться при работе с влажной древесиной. Очистите желоб палочкой.
15. Не оставляйте работающий инструмент без присмотра. Включайте инструмент только тогда, когда он находится в руках.
16. Всегда заменяйте оба лезвия или обе крышки барабана. В противном случае может возникнуть дисбаланс, что приведет к вибрации и сокращению срока службы инструмента.
17. Используйте только лезвия компании Makita, указанные в данном руководстве.
18. Обязательно используйте соответствующую пылезащитную маску/респиратор для защиты дыхательных путей от пыли разрезаемых материалов.

СОХРАНИТЕ ДАННЫЕ ИНСТРУКЦИИ.

⚠ОСТОРОЖНО: НЕ ДОПУСКАЙТЕ, чтобы удобство или опыт эксплуатации данного устройства (полученный от многократного использования) доминировали над строгим соблюдением правил техники безопасности при обращении с этим устройством.

НЕПРАВИЛЬНОЕ ИСПОЛЬЗОВАНИЕ инструмента или несоблюдение правил техники безопасности, указанных в данном руководстве, может привести к тяжелой травме.

ОПИСАНИЕ РАБОТЫ

▲ВНИМАНИЕ: Перед регулировкой или проверкой функций инструмента обязательно убедитесь, что он выключен и его вилка вынута из розетки.

Регулировка глубины среза

► **Рис.1:** 1. Указатель 2. Круглая ручка

Глубину резания можно отрегулировать простым поворотом ручки на передней стороне инструмента: стрелка указывает необходимую глубину среза.

Действие выключателя

► **Рис.2:** 1. Триггерный переключатель 2. Кнопка блокировки или кнопка разблокировки

▲ВНИМАНИЕ: Перед включением инструмента в розетку обязательно убедитесь, что триггерный переключатель работает надлежащим образом и возвращается в положение "ВЫКЛ", если его отпустить.

Для инструмента с кнопкой блокировки

▲ВНИМАНИЕ: В случае продолжительной работы для удобства оператора переключатель можно зафиксировать в положении "ВКЛ.". Соблюдайте осторожность при фиксации инструмента в положении "ВКЛ." и крепко удерживайте инструмент.

Для запуска инструмента просто нажмите на триггерный переключатель. Отпустите триггерный переключатель для остановки.

При продолжительной эксплуатации нажмите на триггерный переключатель, затем нажмите кнопку блокировки.

Для остановки инструмента из заблокированного положения полностью нажмите триггерный переключатель, затем отпустите его.

Для инструмента с кнопкой разблокировки

Для предотвращения непреднамеренного включения триггерного переключателя имеется кнопка разблокировки.

Для запуска инструмента, отпустите кнопку блокировки, затем потяните триггерный переключатель. Отпустите триггерный переключатель для остановки.

▲ВНИМАНИЕ: Не давите сильно на триггерный переключатель, если не была нажата кнопка разблокировки. Это может привести к поломке переключателя.

Опора

В зависимости от страны

► **Рис.3:** 1. Лезвие рубанка 2. Заднее основание 3. Опора

После резки поднимите заднюю часть инструмента, при этом опора будет под уровнем заднего основания. Это предотвратит повреждение лезвий рубанка.

СБОРКА

▲ВНИМАНИЕ: Перед проведением каких-либо работ с инструментом обязательно проверьте, что инструмент выключен, а шнур питания вынут из розетки.

Установка или снятие лезвий рубанка

▲ВНИМАНИЕ: При креплении лезвий к рубанку тщательно затяните установочные болты лезвий. Незатянутый установочный болт может быть опасен. Всегда проверяйте, крепко ли они затянуты.

▲ВНИМАНИЕ: Обращайтесь с лезвиями рубанка очень аккуратно. Используйте перчатки или тряпки для защиты пальцев или рук при снятии и установке лезвий.

▲ВНИМАНИЕ: Для снятия или установки лезвий рубанка пользуйтесь только специальным ключом Makita. Несоблюдение данного требования может привести к перетяжке или недостаточной затяжке установочных болтов. Это может стать причиной травмы.

Для инструмента со стандартными лезвиями рубанка

Для снятия лезвий рубанка с барабана открутите установочные болты с помощью шестигранного ключа. Крышка барабана снимется вместе с лезвиями.

► **Рис.4:** 1. Шестигранный ключ 2. Болты

► **Рис.5:** 1. Болты 2. Барабан 3. Лезвие рубанка 4. Крышка барабана 5. Регулировочная пластина 6. Паз

Чтобы установить лезвия рубанка, выполните следующие действия.

1. Удалите все опилки или инородные частицы, прилипшие к барабану и/или лезвиям рубанка.
2. Выберите лезвия того же размера и веса. При несоблюдении этой рекомендации колебание/вибрация барабана приведет к ухудшению строгания, и, в результате, к поломке инструмента.

3. Чтобы правильно установить лезвия рубанка, используйте шкалу лезвия. Разместите лезвие рубанка на шкале лезвия. Совместите режущую кромку лезвия с внутренней стороной шкалы лезвия.

► **Рис.6:** 1. Внутренняя сторона шкалы лезвия
2. Кромка лезвия 3. Лезвие рубанка
4. Регулировочная пластина 5. Винты
6. Тыльная сторона 7. Внешняя сторона шкалы лезвия 8. Шкала лезвия

4. Разместите регулировочную пластину на лезвии рубанка. Надавите на регулировочную пластину так, чтобы ее тыльная сторона оказалась заподлицо с внешней стороной шкалы лезвия. Затяните два винта на регулировочной пластине.

5. Задвиньте тыльную сторону регулировочной пластины в паз барабана и наденьте на нее крышку барабана.

6. Равномерно и попеременно затяните все установочные болты с помощью шестигранного ключа.

7. Повторите описанную выше процедуру для другого лезвия.

Для инструмента с мини-лезвиями рубанка

Чтобы заменить мини-лезвия рубанка, выполните следующие действия.

1. Тщательно очистите поверхность барабана и крышку барабана.

2. С помощью шестигранного ключа открутите три установочных болта. Снимите крышку барабана, регулировочную пластину, установочную пластину и мини-лезвие рубанка.

► **Рис.7:** 1. Шестигранный ключ 2. Болты

3. Чтобы правильно установить лезвия рубанка, используйте шкалу лезвия. Разместите мини-лезвие рубанка на шкале лезвия. Совместите режущую кромку лезвия с внутренней стороной шкалы лезвия.

► **Рис.8:** 1. Винты 2. Регулировочная пластина
3. Выступы расположения лезвий рубанка
4. Тыльная сторона регулировочной пластины 5. Установочная пластина
6. Внутренняя сторона шкалы лезвия
7. Шкала лезвия 8. Внешняя сторона шкалы лезвия 9. Мини-лезвие рубанка

4. Установите регулировочную пластину на установочную пластину с помощью винтов, но не затягивайте их. Установите регулировочную пластину на установочную пластину шкалы лезвия. Совместите выступы расположения лезвий рубанка на установочной пластине с пазами мини-лезвий рубанка.

5. Приложите тыльную сторону регулировочной пластины к внешней стороне шкалы лезвия и затяните винты. Тщательно проверьте выравнивание для обеспечения равномерной резки.

6. Задвиньте тыльную сторону регулировочной пластины в паз в барабане.

7. Установите крышку барабана на установочную пластину и слегка закрепите их на барабане с помощью трех болтов. Вставьте мини-лезвие рубанка в зазор между барабаном и установочной пластиной. Убедитесь, что выступы расположения лезвий рубанка на установочной пластине входят в паз мини-лезвий рубанка.

► **Рис.9:** 1. Мини-лезвие рубанка 2. Паз
3. Установочная пластина 4. Болты
5. Крышка барабана 6. Барабан
7. Регулировочная пластина

8. Отрегулируйте положение мини-лезвия по длине так, чтобы края лезвия были свободными и располагались на одинаковом расстоянии от корпуса с одной стороны и металлической скобы с другой стороны.

9. Затяните три болта с помощью входящего в комплект поставки торцевого ключа и поверните барабан для проверки зазоров между краями лезвия и корпусом инструмента.

10. Проверьте окончательную затяжку трех болтов.

11. Повторите описанную выше процедуру для другого лезвия.

Для правильной установки лезвия рубанка

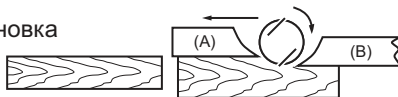
Поверхность строгания будет неровной и неравномерной, если не установить лезвие правильно и прочно. Лезвие необходимо устанавливать так, чтобы режущая кромка была абсолютно ровной, то есть, параллельно поверхности заднего основания.

Ниже приводятся несколько примеров правильной и неправильной установки.

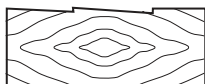
(А) Переднее основание (подвижный башмак)

(В) Заднее основание (неподвижный башмак)

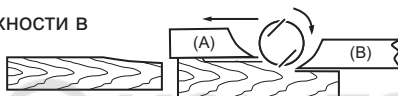
Правильная установка



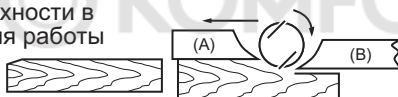
Заусенцы на поверхности



Зарезание поверхности в момент запуска



Зарезание поверхности в момент окончания работы



Кромки лезвий движутся строго параллельно поверхности задней части основания, хотя данная боковая проекция этого не отображает.

Причина: одна или обе кромки лезвия движутся не параллельно поверхности задней части основания.

Причина: одна или обе кромки лезвия не достаточно выступают относительно поверхности задней части основания.

Причина: одна или обе кромки лезвия сильно выступают относительно поверхности задней части основания.

Подключение пылесоса

ПРИМЕЧАНИЕ: В некоторых странах насадка может не входить в стандартный комплект поставки инструмента.

► Рис.10

Действия при использовании инструмента с насадкой

Подключите шланг пылесоса к насадке.

Действия при использовании инструмента без насадки

1. Снимите противостружечную крышку с инструмента.
2. Установите насадку на инструмент с помощью винтов.
3. Подключите шланг пылесоса к насадке.

Очистка насадки

Регулярно очищайте насадку. Для очистки засорившейся насадки используйте сжатый воздух.

ЭКСПЛУАТАЦИЯ

⚠ОСТОРОЖНО: Для снижения риска получения травмы не эксплуатируйте устройство без установленного патрубка или противостружечной крышки.

Во время работы крепко удерживайте инструмент одной рукой за ручку, а другой - за ручку с выключателем.

Строгание

► Рис.11: 1. Начало 2. Окончание

Опустите переднее основание инструмента на поверхность обрабатываемой детали, при этом лезвия не должны ее касаться. Включите инструмент и подождите, пока лезвия не наберут полную скорость. Затем аккуратно перемещайте инструмент вперед с постоянной скоростью. Надавливайте на переднюю часть инструмента при начале строгания, и на заднюю часть при окончании строгания.

Тип обработки определяется скоростью и глубиной выреза. Чтобы обеспечить надлежащее качество обработки, срежьте толстые слои, пока не достигните желаемой глубины. Затем медленно снимайте тонкие слои во время финального прохода.

Строгание на фальц (фальцевание)

► Рис.12

Для ступенчатого выреза, как показано на рисунке, используйте крайнее ограждение (направляющую линейку).

Нарисуйте линию отреза на обрабатываемой детали. Вставьте крайнее ограждение в отверстие в передней части инструмента. Совместите кромку лезвия с линией отреза.

► Рис.13: 1. Кромка лезвия 2. Линия отреза

Отрегулируйте крайнее ограждение, чтобы оно касалось боковой стороны обрабатываемой детали, затем затяните его с помощью винта.

► Рис.14: 1. Винт 2. Крайнее ограждение

При строгании, перемещайте инструмент, держа крайнее ограждение заподлицо с боковой стороной обрабатываемой детали. В противном случае строгание будет неровным.

► Рис.15

Максимальная глубина строгания на фальц (фальцевания) составляет 9 мм (11/32 дюйма).

Вы можете увеличить высоту ограждения, прикрепив дополнительную деревянную деталь. В ограждении для этого имеются удобные отверстия; также есть отверстия крепления удлинительной направляющей (дополнительная принадлежность).

► Рис.16

ПРИМЕЧАНИЕ: Форма направляющей линейки различна в разных странах. В некоторых странах направляющая линейка не входит в стандартную комплектацию.

Фасочный

► Рис.17

► Рис.18

Для выреза со снятием фаски, как показано на рисунке, совместите V-образный паз в переднем основании с краем обрабатываемой детали и выполните ее строгание.

ОБСЛУЖИВАНИЕ

▲ВНИМАНИЕ: Перед проверкой или проведением техобслуживания убедитесь, что инструмент выключен, а штекер отсоединен от розетки.

▲ВНИМАНИЕ: Запрещается использовать бензин, растворители, спирт и другие подобные жидкости. Это может привести к обесцвечиванию, деформации и трещинам.

Заточка лезвий рубанка

Только для стандартных лезвий рубанка

Всегда следите за тем, чтобы лезвия были острыми, для достижения наивысшей эффективности.

Используйте заточивающий держатель (дополнительная принадлежность) для удаления зазубрин и заточки кромок.

► Рис.19: 1. Заточивающий держатель

Сначала ослабьте две барашковые гайки на держателе и вставьте лезвия рубанка (А) и (В), чтобы они соприкасались со сторонами (С) и (D). Затем затяните барашковые гайки.

► Рис.20: 1. Барашковая гайка 2. Лезвие рубанка (А) 3. Лезвие рубанка (В) 4. Сторона (D) 5. Сторона (С)

Перед заточкой погрузите шлифовальный камень в воду на 2 или 3 минуты. Удерживайте держатель так, чтобы оба лезвия касались шлифовального камня, для обеспечения одновременной заточки под одним углом.

► Рис.21

Замена угольных щеток

► Рис.22: 1. Ограничительная метка

Регулярно снимайте и осматривайте угольные щетки. Заменяйте их, если они изношены до ограничительной отметки. Угольные щетки всегда должны быть чистыми и свободно перемещаться в держателях. Заменяйте обе угольные щетки одновременно. Используйте только идентичные угольные щетки.

Для снятия противостружечной крышки или сопла используйте шуруповерт.

► Рис.23: 1. Противостружечная крышка или сопло 2. Шуруповерт

Используйте отвертку для снятия колпачков держателей щеток.

Извлеките изношенные угольные щетки, вставьте новые и закрепите колпачков держателей щеток.

► Рис.24: 1. Колпачок держателя щетки 2. Шуруповерт

Для обеспечения БЕЗОПАСНОСТИ и НАДЕЖНОСТИ оборудования ремонт, любое другое техобслуживание или регулировку необходимо производить в уполномоченных сервис-центрах Makita или сервис-центрах предприятия с использованием только сменных частей производства Makita.

ТЕХНИКАЛЫҚ СИПАТТАМАЛАРЫ

Үлгі:	M1902	
Жону ені	82 мм	
Жону тереңдігі	1 мм	
Сүргілеу тереңдігі	9 мм	
Жүктемесіз жылдамдығы	16 000 мин ⁻¹	
Жалпы ұзындығы	Табаны жоқ	278 мм
	Табаны бар	285 мм
Таза салмағы	2,8 кг	
Қауіпсіздік класы	□/II	

- Зерттеу мен өзірлеудің үздіксіз бағдарламасына байланысты осы құжаттағы техникалық сипаттамалар ескертусіз өзгертілуі мүмкін.
- Техникалық сипаттамалары әр елде әр түрлі болуы мүмкін.
- Салмағы ЕРТА-Procedure 01/2014 стандартына сәйкес

Белгілер

Төменде жабдықта пайдаланылған белгілер көрсетілген. Қолданар алдында олардың мағынасын түсініп алыңыз.



Пайдалану жөніндегі нұсқаулықты оқып шығыңыз.



ҚОС ҚАБАТТЫ ОҚШАУЛАУ



Тек ЕО елдері үшін
Электр жабдықты немесе аккумулятор блогын тұрмыстық қалдықтармен бірге тастамаңыз! Электр және электронды жабдықты қоқысқа тастау бойынша Еуропалық директиваның шарттары және ұлттық заңнамаға сәйкес жүзеге асырылуы бойынша, қызметтік мерзімі аяқталған электр жабдық бөлек жиналып, экологиялық тұрғыдан қауіпсіз утилизация пунктіне қайтарылуы тиіс.

Қолдану мақсаты

Құрал ағаш жонуға арналған.

Қуат көзі

Құрал ақпараттық тақтайшада көрсетілген кернеумен бірдей қуат көзіне қосылуы керек және тек бір фазалы АТ көзімен жұмыс істеуі керек. Олардың қос қабатты оқшауламасы бар болғандықтан, жерге тұйықталмаған розеткаларды пайдалануға болады.

Шу

EN62841-2-14 стандартына сай анықталған стандартты А-өлшенген шу деңгейі:
Дыбыс қысымының деңгейі (L_{pA}) : 84 дБА
Дыбыс қуатының деңгейі (L_{WA}) : 95 дБА
Дөлсіздік (К): 3 дБА

ЕСКЕРТПЕ: Шудың жарияланған таралу мән(дер) і стандартты сынау әдісіне сәйкес өлшенген және оны бір құралды екінші құралмен салыстыру үшін пайдалануға болады.

ЕСКЕРТПЕ: Жарияланған шуды сондай-ақ әсерді алдын ала бағалау үшін пайдалануға болады.

⚠ЕСКЕРТУ: Қорғаныс құлаққабын киіңіз.

⚠ЕСКЕРТУ: Электрлік құралды іс жүзінде пайдалану кезіндегі шудың таралу мәні құралдың пайдалану әдісіне, әсіресе қандай дайындама өңделгеніне байланысты жарияланған мәнінен өзгеше болуы мүмкін.

⚠ЕСКЕРТУ: Іс жүзінде пайдалану кезіндегі әсерді бағалау негізінде операторды қорғау үшін қауіпсіздік шараларын анықтаңыз (құралдың өшірілген уақыты және бос жүріс уақытын қоса алғанда, іске қосылу уақыты сияқты барлық жұмыс циклдерін ескеру керек).

Діріл

EN62841-2-14 сәйкес анықталған дірілдің жалпы мәні (үш осьтік векторлық сома):
Жұмыс режимі: жұмсақ ағашты жону
Дірілдің таралуы (a_w) : 3,0 м/с²
Дөлсіздік (К): 1,5 м/с²

ЕСКЕРТПЕ: Дірілдің жарияланған жалпы мән(дер) і стандартты сынау әдісіне сәйкес өлшенген және оны бір құралды екінші құралмен салыстыру үшін пайдалануға болады.

ЕСКЕРТПЕ: Сондай-ақ дірілдің жарияланған жалпы мән(дер)ін әсерді алдын ала бағалау үшін пайдалануға болады.

⚠️ЕСКЕРТУ: Электрлік құралды іс жүзінде пайдалану кезіндегі дірілдің мәні құралдың пайдалану әдісіне, өсіресе қандай дайындама өңделгеніне байланысты жарияланған мән(дер)інен өзгеше болуы мүмкін.

⚠️ЕСКЕРТУ: Іс жүзінде пайдалану кезіндегі әсерді бағалау негізінде операторды қорғау үшін қауіпсіздік шараларын анықтаңыз (құралдың өшірілген уақыты және бос жүріс уақытын қоса алғанда, іске қосылу уақыты сияқты барлық жұмыс циклдерін ескеру керек).

ЕС сәйкестік декларациясы

Тек Еуропа елдеріне арналған

ЕС сәйкестік декларациясы осы пайдалану жөніндегі нұсқаулықтың А қосымшасы ретінде қосылған.

ҚАУІПСІЗДІК БОЙЫНША ЕСКЕРТУЛЕР

Электрлік құралдың жалпы қауіпсіздік ескертулері

⚠️ЕСКЕРТУ: Осы электрлік құралмен бірге берілген қауіпсіздік ескертулерін, нұсқауларды, суреттерді және техникалық сипаттамаларды оқып шығыңыз. Төменде берілген барлық нұсқауды орындамаған жағдайда, электр тогының соғуы, өрт шығуы және/немесе ауыр жарақат алуға себеп болуы мүмкін.

Алдағы уақытта қолдану үшін барлық ескерту мен нұсқауды сақтап қойыңыз.

Ескертулердегі “электрлік құрал” термині қуат көзінен жұмыс істейтін (сымды) электрлік құралды немесе аккумулятормен жұмыс істейтін (сымызсыз) электрлік құралды білдіреді.

Жұмыс аймағындағы қауіпсіздік

1. **Жұмыс аймағы таза өрі жарық болуы керек.** Лас немесе қараңғы аймақтарда жазатайым оқиғалар туындауы мүмкін.
2. **Электрлік құралды айналасында тез тұтанатын сұйықтық, газ немесе шаң сияқты заттардан тұратын жарылыс қаупі бар орталарда пайдаланбаңыз.** Электрлік құралдар шаң немесе газды тұтандыратын электр ұшқындарын шығарады.
3. **Электрлік құралды пайдаланған кезде, балалар және бөгде адамдар алшақ жүруі керек.** Басқа нәрсеге алаңдасаңыз, құралға ие бола алмай қалуыңыз мүмкін.

Электрлік қауіпсіздік

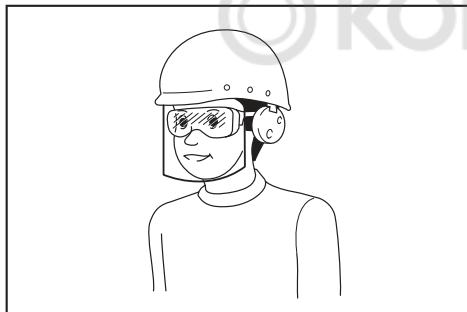
1. **Электрлік құралдың ашасы розеткаға сәйкес келуі керек.** Ашаны ешбір жағдайда өзгертпеңіз. Адаптер ашаларын жерге тұйықталған электрлік құралдармен пайдаланбаңыз. Өзгертілмеген ашалар мен сәйкес келетін розеткалар электр тогының соғу қаупін азайтады.

2. **Түтіктер, радиаторлар, жылу батареялары және тоңазытқыштар сияқты жерге тұйықталған бұйымдарды ұстамаңыз.** Егер дененіз жерге тұйықталатын болса, ток соғу қаупі жоғары болады.
3. **Электрлік құралдарды жаңбырдың астына немесе ылғалды жерлерге қоймаңыз.** Электрлік құралға су кіретін болса, ток соғу қаупі артады.
4. **Қуат сымын мұқият пайдаланыңыз.** Электрлік құралды тасу, тарту немесе қуат көзінен ажырату үшін қуат сымын пайдалануға болмайды. Қуат сымына ыстық зат, май, өткір жиек немесе қозғалмалы бөлшектер тимеуі керек. Зақымдалған немесе оралған қуат сымдары ток соғу қаупін арттырады.
5. **Электрлік құралды сыртта пайдаланғанда, сыртта қолдануға жарамды ұзартқышты қолданыңыз.** Сыртта қолдануға жарамды шұруды пайдалану ток соғу қаупін азайтады.
6. **Егер электрлік құралды ылғалды жерде пайдалану керек болса, қорғаныстық ажырату құрылғысын (RCD) пайдаланыңыз.** Қорғаныстық ажырату құрылғысын пайдалану ток соғу қаупін азайтады.
7. **Электр қуатын әрдайым 30 мА немесе одан кем номиналды дифференциалды тоғы бар қорғаныстық ажырату құрылғысы (RCD) арқылы пайдалану ұсынылады.**
8. **Электрлік құралдар электрмагниттік өрістер шығарады, ол пайдаланушыға қауіпті емес.** Дегенмен электрокардиостимулятор және соған ұқсас басқа медициналық құрылғылардың пайдаланушылары электрлік құралды пайдаланбас бұрын, өндірушімен және/немесе дәрігермен кеңесуі керек.
9. **Қуат ашасын су қолыңызбен ұстамаңыз.**
10. **Егер сымы зақымдалған болса, қауіптен сақтану үшін оны өндірушіге немесе оның агентіне апарып ауыстырыңыз.**

Жеке қауіпсіздік

1. **Электрлік құралды пайдаланған кезде, жасап жатқан жұмысыңызға қырағылық танытып, мұқият болыңыз.** Шаршағанда немесе есірткі, алкоголь немесе дәрі-дәрмектің әсерінде болған кезде электрлік құралды пайдаланбаңыз. Электрлік құралды пайдалану кезінде сәл ғана аңсыздық таныту ауыр жарақатқа әкелуі мүмкін.
2. **Жеке қорғаныс құралдарын пайдаланыңыз.** Міндетті түрде қорғаныс көзілдірігін тағыңыз. Шаңнан қорғайтын маска, сырғанамайтын қорғаныс аяқ киімі, каска немесе құлақпаң сияқты қорғаныс жабдықтарын тиісті жағдайларда қолдану жарақаттануды азайтады.
3. **Кездейсоқ іске қосудың алдын алыңыз.** Құралды қуат көзіне және/немесе аккумулятор блогына қоспас бұрын, оны жинап немесе тасымалдамас бұрын, ауыстырып-қосқыш өшірулі күйде екеніне көз жеткізіңіз. Саусақ электрлік құралдың ауыстырып-қосқышында тұрған кезде оны тасымалдау немесе ауыстырып-қосқышы қосуды электрлік құралды қуат көзіне қосу жазатайым оқиғаға әкелуі мүмкін.
4. **Электрлік құралды қоспас бұрын, реттегіш немесе сомынды бұрайтын кілттерді алып тастаңыз.** Электрлік құралдың айналымалы бөлігінде реттегіш немесе сомынды бұрайтын кілт бекітулі қалса, жарақаттауы мүмкін.

5. Тым артық күш салмаңыз. Өрдайым тұрақты және тепе-теңдік сақтайтын күйде болыңыз. Бұл күтпеген жағдайда электрлік құралды жақсы басқаруға мүмкіндік береді.
6. Жұмысқа сай киініңіз. Бос киім кимеңіз және өшекей тақпаңыз. Шашыңызды және киіміңізді қозғалмалы бөлшектерден алшақ ұстаңыз. Бос киім, өшекейлер немесе ұзын шаш қозғалмалы бөлшектерге ілініп қалуы мүмкін.
7. Шаң тұту және жинау құрылғылары қамтамасыз етілген болса, олардың қосулы екендігіне және дұрыс қолданылып жатқанына көз жеткізіңіз. Шаң жинау құрылғысын пайдалану шаңмен байланысты қауіпті азайтуы мүмкін.
8. Құралды жиі пайдалану нәтижесінде босаңсып, қауіпсіздік қағидаларын өлеусіз қалдырмаңыз. Салғырттық таныту бір мезетте ауыр жарақатқа әкеп соқтыруы мүмкін.
9. Электрлік құралды пайдаланған кезде көзіңізді жарақаттап алмау үшін міндетті түрде қорғаныс көзілдірігін тағыңыз. Қорғаныс көзілдіріктері АҚШ-та ANSI Z87.1, Еуропада EN 166 немесе Австралияда/Жаңа Зеландияда AS/NZS 1336 қауіпсіздік стандарттарымен сәйкес келуі керек. Австралияда/Жаңа Зеландияда бетіңізді қорғау үшін қорғаныс маскасын кию заң негізінде талап етіледі.



Құрал пайдаланушылары мен жұмыс аймағындағы басқа да тұлғалардың тиісті қауіпсіздік қорғаныс жабдықтарын пайдалануын қамтамасыз ету жұмыс берушінің жауапкершілігінде.

Электрлік құралды пайдалану және күтім жасау

1. Электрлік құралға артық күш түсірмеңіз. Орындалатын жұмысқа сәйкес келетін электрлік құралды пайдаланыңыз. Дұрыс таңдалған электрлік құрал өзіне жүктелген жұмысты жақсы және қауіпсіз істейді.
2. Ауыстырып-қосқышы ақаулы электрлік құралды пайдаланбаңыз. Ауыстырып-қосқышы ақаулы кез келген электрлік құрал қауіп көндіреді және оны жөндеу керек.
3. Кез келген реттеулер жасамас бұрын, керек-жарақтарды ауыстырмас бұрын немесе электрлік құралдарды ұзақ уақытқа сақтамас бұрын, ашаны қуат көзінен ажыратыңыз және/немесе аккумулятор блогы бар болса, оны шығарып алыңыз. Осындай алдын алу шаралары электрлік құралдың кездейсоқ іске қосылуы қауіпін азайтады.

4. Электрлік құралдарды балалардың қолы жетпейтін жерде сақтаңыз, сонымен қатар электрлік құралмен жұмыс істей алмайтын және осы нұсқауларды оқымаған тұлғаларға құралды пайдалануға рұқсат етпеңіз. Арнайы оқытудан өтпеген пайдаланушылар үшін электрлік құрал қауіп төндіреді.
5. Электр құралдарына және керек-жарақтарға техникалық қызмет көрсетіңіз. Қозғалмалы бөлшектердің ауытқуы және оралуы, зақымдалған бөлшектер және электрлік құралдың жұмысына кері әсер ететін басқа жағдайлардың бар-жоғын тексеріңіз. Зақымы болса, электрлік құралды жөндеген соң бірақ пайдаланыңыз. Жазатайым оқиғалардың көбі электрлік құралдарға дұрыс техникалық қызмет көрсетілмеу себебінен болады.
6. Кесу құралдары өткір және таза болуы керек. Кескіш жиектері өткір кесу құралдарын дұрыс пайдалансаңыз, олар тұрып қалмайды және сол себепті оларды басқару да оңайырақ етеді.
7. Электрлік құралды, керек-жарақтарды және қондырмаларды, т.б. жұмыс жағдайы мен орындалатын жұмысты ескере отырып, осы нұсқауларға сәйкес пайдаланыңыз. Электрлік құралды басқа мақсатта пайдаланған жағдайда, қауіпті жағдай туындауы мүмкін.
8. Тұтқалардың және жұмыс орындалатын беттердің құрғақ, таза және майлы болмауын қамтамасыз етіңіз. Тұтқалар және қолмен ұстайтын беттер тайғақ болса, күтпеген жағдай орын алғанда, құралды пайдалану және оған ие болу мүмкін болмайды.
9. Электрлік құралды пайдаланған кезде, ішіне тартылу матадан жасалған қорғаныс қолғабын кимеңіз. Матадан жасалған қорғаныс қолғаптары қозғалмалы бөлшектерге ілініп қалса, жарақаттауы мүмкін.

Қызмет көрсету

1. Электрлік құралға қызмет көрсетуді тек қаа жөндеу бойынша білікті аман тиісті қосалқы бөлшектерді пайдаланып жүзеге асыруы қажет. Бұл электрлік құралдың қауіпсіздігін қамтамасыз етеді.
2. Керек-жарақтарды майлау және ауыстыру нұсқауын орындаңыз.

Жоңғы қауіпсіздігі бойынша ескертулер

1. Құралды орнатпас бұрын дискілі алмас араның тоқтауын күтіңіз. Ашық айналып тұрған дискілі алмас ара басқаруды жоғалту мен ауыр жарақат алуға әкелетін беттермен жанасуы мүмкін.
2. Электрлік құралды оқшауланған арнайы қысқыштармен ұстаңыз, себебі дискілі алмас ара өз сымына тиіп кетуі мүмкін. Кернеулі сымды кесу нәтижесінде электрлік құралдың ашық металл бөлшектерінде кернеу пайда болады және операторды ток соғуы мүмкін.

3. Өңдеу бөлшегін орнықты платформаға бекітіп, тіреу үшін қысқыштарды немесе басқа тиімді әдісті пайдаланыңыз. Жұмыс істеп тұрған бөлшекті қолмен немесе денеңізге қарама-қарсы ұстасаңыз, құралды игере алмай қалуыңыз мүмкін.
4. Шүберек, мата, арқан, жіп және сол секілді заттар ешқашан жұмыс аймағында қалдырылмауы керек.
5. Шегелерінің жырып кетуінен абай болыңыз. Жұмысты бастау алдында шегелердің бар-жоғын тексеріп, оларды өңдеу бөлшегінен алып тастаңыз.
6. Тек өткір жүздерді пайдаланыңыз. Жүздерді өте мұқият ұстаңыз.
7. Жұмысты бастау алдында жүздің орнатқыш болттары берік бекітілгеніне көз жеткізіңіз.
8. Құралды екі қолыңызбен мықтап ұстаңыз.
9. Қолыңызды айналымалы бөлшектерден аулақ ұстаңыз.
10. Құралды нақты өңдеу бөлшегіне қолданардан бұрын, біраз уақыт іске қосылуына мүмкіндік беріңіз. Жүздің сапасыз орнатқышын немесе нашар теңдестірілгенін білдіретін діріл немесе теңселуін қадағалаңыз.
11. Ауыстырып-қосқышты іске қоспас бұрын жүздің өңдеу бөлшегіне тиіп тұрмағандығына көз жеткізіңіз.
12. Жүз кесу алдында толық жылдамдыққа жеткенше күтіңіз.
13. Реттемес бұрын, ерқашан жүздерді өшіріп, толық тоқтағанша күтіңіз.
14. Саусағыңызды жоңқаға арналған науаға салмаңыз. Науа дымқыл ағашты кесу кезінде кептеліп қалуы мүмкін. Жоңқаларды тақшамен тазалаңыз.
15. Құралды қосулы күйде қалдырмаңыз. Құралды тек қолмен ұстап пайдаланыңыз.
16. Екі жүз бен барабан қақпақтарын әрдайым ауыстырып тұрыңыз, әйтпесе, теңгерімсіздік нәтижесінде діріл пайда болып, құралдың қызмет ету мерзімі азаяды.
17. Тек осы нұсқаулықта көрсетілген Makita жүздерін пайдаланыңыз.
18. Пайдаланып жатқан материал мен жұмыс үшін әрдайым тиісті түрде шаңнан қорғайтын масканы/респираторды пайдаланыңыз.

ОСЫ НҰСҚАУЛАРДЫ САҚТАҢЫЗ.

▲ЕСКЕРТУ: Бұл өнімді әбден пайдаланып үйренген (қайта-қайта пайдаланғанның нәтижесінде) болсаңыз да және сізге қолайсыздық тудырса да, осы өнімді қолдану кезінде қауіпсіздік техникасы ережелерін қатаң түрде сақтау қажет.

Осы пайдалану жөніндегі нұсқаулықта келтірілген қауіпсіздік ережелерін ДҰРЫС ПАЙДАЛАНБАУ немесе орындамау ауыр жарақаттарға әкеп соқтыруы мүмкін.

ФУНКЦИОНАЛДЫҚ СИПАТТАМАСЫ

▲САҚ БОЛЫҢЫЗ: Құралдың жұмысын реттемес және тексермес бұрын, әрдайым құралдың өшірулі екендігіне және ажыратылғандығына көз жеткізіңіз.

Кесу тереңдігін реттеу

► **Сурет1:** 1. Көрсеткіш 2. Батырма

Кесу тереңдігін құралдың алдыңғы жағында орналасқан батырманы жай ғана бұрау арқылы реттеуге болады, осылайша көрсеткіш қалаған кесу тереңдігін көрсетеді.

Ауыстырып-қосқыштың әрекеті

► **Сурет2:** 1. Ауыстырып-қосқыш шүріппесі
2. Құлыптау түймесі немесе Құлыпты ашу түймесі

▲САҚ БОЛЫҢЫЗ: Құралды қоспас бұрын, әрдайым ауыстырып-қосқыш шүріппесінің дұрыс жұмыс істеп тұрғанына және босатылған кезде "ӨШІРУЛІ" күйіне қайтарылатынына ерқашан көз жеткізіп тұрыңыз.

Құлыптау түймесі бар құрал үшін

▲САҚ БОЛЫҢЫЗ: Ұзақ пайдалану кезінде оператордың ыңғайлылығы үшін ауыстырып-қосқышты "ҚОСУЛЫ" күйінде құлыптауға болады. Құралды "ҚОСУЛЫ" күйінде құлыптау кезінде сақ болыңыз және құралды мықтап ұстаңыз.

Құралды іске қосу үшін жай ғана ауыстырып-қосқыш шүріппесін басыңыз. Тоқтату үшін ауыстырып-қосқыш шүріппесін жіберіңіз.

Үздіксіз жұмыс істеу үшін ауыстырып-қосқыш шүріппесін тартып, құлыптау түймесін басыңыз. Құралды құлыпталған күйден шығару үшін, ауыстырып-қосқыш шүріппесін толығымен тартып, босатыңыз.

Құлыпты ашу түймесі бар құрал үшін

Ауыстырып-қосқыш шүріппесінің кездейсоқ тартылып кетуіне жол бермеу үшін құлыпты ашу түймесі орнатылған.

Құралды іске қосу үшін құлыпты ашу түймесін басып, ауыстырып-қосқыш шүріппесін тартыңыз. Тоқтату үшін ауыстырып-қосқыш шүріппесін жіберіңіз.

▲САҚ БОЛЫҢЫЗ: Құлыпты ашу түймесін баспай, ауыстырып-қосқыш шүріппесін қатты тартпаңыз. Бұл қосқыштың зақымдануына әкелуі мүмкін.

Табан

Нақты мемлекет

► **Сурет3:** 1. Жонғы жүзі 2. Артқы тірек 3. Табан

Кесу жұмысынан кейін, құралдың артқы жағын көтеріңіз, осылайша жонғы табаны артқы тіректен шығады. Бұл жонғы жүздерінің зақымдалуына жол бермейді.

ҚҰРАСТЫРУ

▲САҚ БОЛЫҢЫЗ: Құралмен жұмыс істемес бұрын, әрдайым құралдың өшірулі екендігіне және ажыратылғандығына көз жеткізіңіз.

Жонғы жүздерін шешіп алу немесе орнату

▲САҚ БОЛЫҢЫЗ: Жонғы жүздерін құралға орнатқанда, жүздің орнатқыш болттарын мұқият бекітіңіз. Босап кеткен орнатқыш болт қауіпті болуы мүмкін. Әрдайым оның берік бекітілгеніне көз жеткізіп тұрыңыз.

▲САҚ БОЛЫҢЫЗ: Жонғыш жүздерді өте мұқият ұстаңыз. Жүздерді шешіп алғанда немесе орнатқанда саусақтарыңызды немесе қолыңызды қорғау үшін қолғап немесе шүберек пайдаланыңыз.

▲САҚ БОЛЫҢЫЗ: Жонғы жүздерін шешіп алу немесе орнату үшін тек Макита кілтін пайдаланыңыз. Оны орындамаған жағдайда орнатқыш болттардың шамадан тыс бекітілуіне немесе жеткіліксіз бекітілуіне әкеледі. Ол жарақат алуға себеп болуы мүмкін.

Қалыпты жонғы жүздері бар құрал үшін

Барабандағы жонғы жүздерін шешіп алу үшін, орнатқыш болттарды алты қырлы кілтпен бұрал босатыңыз. Барабан қақпағы жүздермен бірге бөлініп шығады.

► **Сурет4:** 1. Алты қырлы кілт 2. Болттар

► **Сурет5:** 1. Болттар 2. Барабан 3. Жонғы жүзі
4. Барабан қақпағы 5. Реттегіш тақта
6. Ойық

Жонғы жүздерін орнату үшін, келесі процедураларды орындаңыз.

1. Барабан және жонғы жүздерін ұстап тұратын барлық жоңқалар мен басқа да заттарды тазалаңыз.

2. Өлшемі мен салмағы бірдей жонғы жүздерін таңдаңыз. Әйтпесе, барабан тербелісі/дірілісі сапасыз жонғы жұмыстарына, сонан соң құралдың бұзылуына себеп болады.

3. Жонғы жүздерін дұрыс орнату үшін жүз өлшегішін пайдаланыңыз. Жонғы жүзін жүз өлшегішке қойыңыз. Жүздің кесетін жиегін жүз өлшегіштің ішкі қапталына салыңыз.

► **Сурет6:** 1. Жүз өлшегіштің ішкі қапталы 2. Жүз жиегі 3. Жонғы жүзі 4. Реттегіш тақта
5. Бұрандалар 6. Жақтаудың бүйіржағы
7. Жүз өлшегіштің артқы жағы 8. Жүз өлшегіш

4. Реттегіш тақтаны жонғы жүзіне орналастырыңыз. Реттегіш тақтаны басыңыз, осылайша оның жақтау бүйіржағы жүз өлшегіштің артқы жағымен жабылады. Реттегіш тақтаға екі бұранданы бекітіңіз.

5. Реттегіш тақтаның жақтау бүйіржағын барабанның ойығына салыңыз, содан кейін барабан қақпағын бекітіңіз.

6. Барлық орнатқыш болттарды алты қырлы кілтпен тең және кезектеп бекітіңіз.

7. Басқа жүз үшін жоғарыдағы процедураларды қайталаңыз.

Шағын жонғы жүздері бар құрал үшін

Шағын жонғы жүздерін ауыстыру үшін, келесі процедураларды орындаңыз.

1. Барабан беттерін және барабан қақпағын мұқият тазалаңыз.

2. Үш орнатқыш болтты алты қырлы кілтпен бұрал босатыңыз. Барабан қақпағын, реттегіш тақтаны, орнату тақтасын және шағын жонғы пышағын шешіп алыңыз.

► **Сурет7:** 1. Алты қырлы кілт 2. Болттар

3. Жонғы жүздерін дұрыс орнату үшін жүз өлшегішін пайдаланыңыз. Шағын жонғы жүзін жүз өлшегішке қойыңыз. Жүздің кесетін жиегін жүз өлшегіштің ішкі қапталына салыңыз.

► **Сурет8:** 1. Бұрандалар 2. Реттегіш тақта
3. Жонғы жүзінің орналасу клеммасы
4. Реттегіш тақтаның артқы бөлігі
5. Орнату тақтасы 6. Жүз өлшегіштің ішкі қапталы 7. Жүз өлшегіш 8. Жүз өлшегіштің артқы жағы 9. Шағын жонғы жүзі

4. Реттегіш тақтаны орнату тақтасына бұрандамалармен бос етіп орнатыңыз. Реттегіш тақта мен орнату тақтасын жүз өлшегішке қойыңыз. Орнату тақтасындағы жонғы жүзінің орналасу клеммасын шағын жонғы жүзінің ойығына кіргізіңіз.

5. Реттегіш тақтаның артқы бөлігін жүз өлшегіштің артқы жағына қойып, бұрандамаларды бекітіңіз. Біркелкі кесу үшін тегістіктерін мұқият тексеріңіз.

6. Реттегіш тақтаның артқы бөлігін барабанның ойығына салыңыз.

7. Барабан қақпағын орнату тақтасына қойып, барабан бетіне үш болтпен бос бекітіңіз. Шағын жонғы жүзін барабан мен орнату тақтасы арасындағы кеңістікке салыңыз. Орнату тақтасындағы жонғы жүзінің орналасу клеммасын шағын жонғы жүзінің ойығына кіріп тұрғанына көз жеткізіңіз.

► **Сурет9:** 1. Шағын жонғы жүзі 2. Ойық 3. Орнату тақтасы 4. Болттар 5. Барабан қақпағы
6. Барабан 7. Реттегіш тақта

8. Шағын жонғы жүзінің күйін ұзындық бойынша реттеңіз, осылайша пышақ ұштары таза және бір жағы құрал корпусынан, ал екінші жағы металл бұрышынан тең қашықтықта болады.

9. Берілген сомын кілтімен үш болтты бекітіңіз және жүздің ұштары мен құрал корпусының аралықтарын тексеру үшін барабанды айналдырыңыз.

10. Үш болттың нақты бекітілгеніне көз жеткізіңіз.

11. Басқа жүз үшін жоғарыдағы процедураларды қайталаңыз.

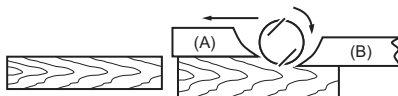
Жонғы жүзін дұрыс орнату үшін

Жонғы жүзі дұрыс әрі берік орнатылғанға дейін жону беті бұдыр және біркелкі емес шығады. Жонғы жүзі артқы тіректің бетіне параллель және кесу жиегі толығымен бір деңгейде болатындай орнатылуы керек. Дұрыс және дұрыс емес параметрлер бойынша төмендегі мысалдарды қараңыз.

(А) Алдыңғы табан (Жылжымалы сырғақ)

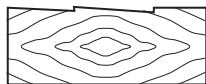
(В) Артқы табан (Тұрақты сырғақ)

Дұрыс параметрі



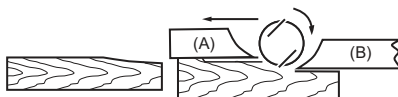
Бұл жақ көріністе көрінбесе да, жүздердің жиектері артқы табан бетіне мінсіз параллель жүреді.

Беттегі керттіктер



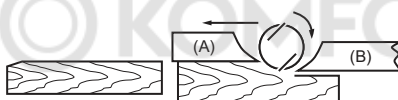
Себебі: Бір немесе екі жүз жиектері артқы табан сызығына параллель емес.

Бастапқы қашау



Себебі: Артқы табан сызығына қатысты бір немесе екі жүз жиегі жеткілікті деңестенбеді.

Соңында қашау



Себебі: Артқы табан сызығына қатысты бір немесе екі жүз жиегі шамадан тыс деңестенді.

Шаңсорғышты қосу

ЕСКЕРТПЕ: Кейбір мемлекеттерде форсунка стандартты керек-жарақтар ретінде құралдың қаптамасында болуы мүмкін.

► Сурет10

Форсункасы бар құрал үшін

Шаңсорғыштың шлангісін форсункаға жалғаңыз.

Форсункасы жоқ құрал үшін

1. Жоңқа қақпағын құралдан шешіңіз.
2. Форсунканы құралға бұрандалар арқылы орнатыңыз.
3. Шаңсорғыштың шлангісін форсункаға жалғаңыз.

Форсунканы тазалау

Форсунканы жүйелі түрде тазалаңыз. Лас форсунканы тазалау үшін сығылған ауаны пайдаланыңыз.

ПАЙДАЛАНУ

▲ЕСКЕРТУ: Жарақат алу қаупін азайту үшін, саптамасыз немесе жоңқа қақпағынсыз қолдануға болмайды.

Құралды пайдалану кезінде, бір қолыңызбен батырмасынан, ал екінші қолыңызбен ауыстырып-қосқыш тұтқасынан мықтап ұстаңыз.

Жону жұмысы

► Сурет11: 1. Басы 2. Аяғы

Жонғы жүздерін өңдеу бөлшегіне тигізбестен құралдың алдыңғы табанын өңдеу бөлшегінің бетіне қолданыңыз. Қосып, жүз толық жылдамдыққа жеткенше күтіңіз. Содан кейін құралды ақырын біркелкі жылдамдыққа жылжытыңыз. Жону жұмысын бастағанда, құралдың алдыңғы жағына, ал жону жұмысын аяқтағанда артқы жағына қысым жасаңыз.

Кесудің жылдамдығы мен тереңдігі өңдеу нәтижесін анықтайды. Беткі қабатты жақсы өңдеу үшін, қажетті тереңдікке жеткенге дейін тереңірек жонып, одан кейін соңғы рет өткенде жұқалап және баяу жоныңыз.

Сүргілеу (қапсылау)

► Сурет12

Суретте көрсетілгендей сатылы кесу үшін, жиек қоршауын (бағыттауыш сызығыш) пайдаланыңыз.

Өңдеу бөлшегіне кесу сызығын салыңыз. Құралдың алдыңғы жағындағы тесікке жиек қоршауын салыңыз. Жүз жиегің кесу сызығымен туралау.

► **Сурет13:** 1. Жүз жиегі 2. Кесу сызығы

Өңдеу бөлшегінің бүйіріне жанасқанша жиек қоршауын реттеніз, содан кейін бұрандамен қатайтып бекітіңіз.

► **Сурет14:** 1. Бұранда 2. Жиек қоршауы

Жону барысында құралды жиек қоршауымен өңдеу бөлшегінің бүйір жағымен тегіс жылжытыңыз. Әйтпесе, жону біркелкі болмауы мүмкін.

► Сурет15

Сүргілеудің (қапсылау) максималды тереңдігі 9 мм (11/32").

Ағаштың қосымша бөлігін бекіту арқылы қоршау ұзындығын арттыру қажет болуы мүмкін. Осы мақсаттарға арналған, сондай-ақ ұзартқыш бағыттауышты бекіту үшін қоршауда ыңғайлы тесіктер берілген (қосымша керек-жарақ).

► Сурет16

ЕСКЕРТПЕ: Бағыттауыш сызығыштың пішіні елге байланысты әртүрлі болуы мүмкін. Кейбір елдерде бағыттауыш сызығыш стандартты керек-жарақ ретінде берілмеген.

Жиектеу

► Сурет17

► Сурет18

Суретте көрсетілгендей жиектеу үшін, "V" тәрізді ойықты алдыңғы табанда өңдеу бөлшегінің жиегімен туралап жоңғылаңыз.

ТЕХНИКАЛЫҚ ҚЫЗМЕТ КӨРСЕТУ

▲САҚ БОЛЫҢЫЗ: Тексеру немесе техникалық қызмет көрсету жұмыстарын жүргізбес бұрын, әрдайым құралдың өшірулі екендігіне және токтан ажыратылғанына көз жеткізіңіз.

▲САҚ БОЛЫҢЫЗ: Жанармайды, бензинді, сұйылтқышты, спиртті немесе соған ұқсас заттарды ешқашан пайдаланбаңыз. Нәтижесінде түссіздену, бүліну немесе жарықтар пайда болуы мүмкін.

Жонғы жүздерін өткірлеу

Тек қалыпты жонғы жүздері үшін

Жұмыстың мүмкіндігінше тиімді атқарылуы үшін жонғы жүздерін әрдайым өткір күйде ұстаңыз. Керткітерін алып, өткір жүз шығару үшін қайрақ ұстағышты (қосымша керек-жарақ) пайдаланыңыз.

► **Сурет19:** 1. Қайрақ ұстағыш

Бірінші, ұстағыштағы екі құлақты бұранданы босатып, (А) және (В) жонғы жүздерін (С) және (D) жақтарымен байланысатындай етіп салыңыз. Содан кейін құлақты бұранданы бекітіңіз.

► **Сурет20:** 1. Құлақты бұранда 2. (А) Жонғы жүзі 3. (В) Жонғы жүзі 4. (D) Жағы 5. (С) Жағы

Қайрамас бұрын, тегістейтін тасты суға 2 немесе 3 минуттай салып қойыңыз. Бір уақытта бірдей бұрышта қайралу үшін екі жүз де тегістейтін тасқа тиетіндей етіп ұстағышты ұстаңыз.

► Сурет21

Графитті қылшақты ауыстыру

► **Сурет22:** 1. Шектеу белгісі

Графитті қылшақтарды жүйелі түрде алып, тексеріп тұрыңыз. Оларды шектеу белгісіне түскен кезде ауыстырыңыз. Графитті қылшақтарды таза және ұстағыштарда сырғыту үшін бос ұстаңыз. Екі графитті қылшақты бір уақытта ауыстыру қажет. Тек бірдей графитті қылшақтарды пайдаланыңыз.

Жоңқа қақпағы және форсунканы шешу үшін бұрама шегені бұрағышты пайдаланыңыз.

► **Сурет23:** 1. Жоңқа қақпағы және форсунка 2. Бұрама шегені бұрағыш

Қылшақұстағыш қалпақшаны шешу үшін бұрама шегені бұрағышты пайдаланыңыз.

Тозған графитті қылшақтарды алып, жаңаларын салыңыз және қылшақұстағыш қалпақшаны бекітіңіз.

► **Сурет24:** 1. Қылшақұстағыш қалпақшасы 2. Бұрама шегені бұрағыш

Өнімнің ҚАУІПСІЗДІГІ мен СЕНІМДІЛІГІН қамтамасыз ету үшін, жөндеу жұмыстары, кез келген басқа техникалық қызмет көрсету немесе реттеу әрдайым Makita қосалқы бөлшектерін пайдалану арқылы Makita компаниясының өкілетті немесе зауыттық қызмет көрсету орталықтары тарапынан орындалуы керек.

© KOMFORT

© KOMFORT



Makita Europe N.V. Jan-Baptist Vinkstraat 2,
3070 Kortenberg, Belgium

Makita Corporation 3-11-8, Sumiyoshi-cho,
Anjo, Aichi 446-8502 Japan

www.makita.com

885504A784 EN, RU, KK 20181220
