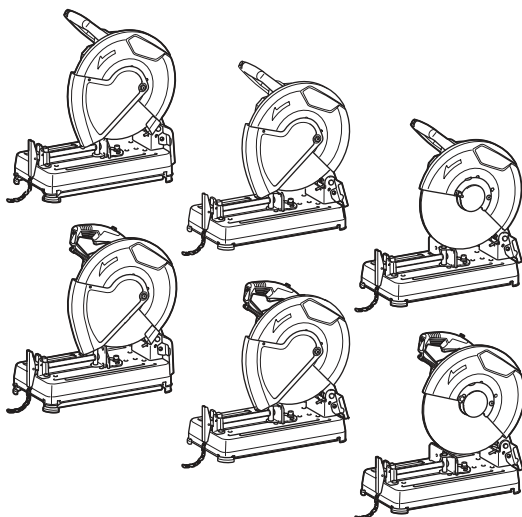




<b>EN</b>	Portable Cut-off	INSTRUCTION MANUAL	6
<b>SL</b>	Prenosni rezalnik za kovino	NAVODILA ZA UPORABO	12
<b>SQ</b>	Prerës portativ	MANUALI I PËRDORIMIT	18
<b>BG</b>	Ръчен циркуляр	РЪКОВОДСТВО ЗА ЕКСПЛОАТАЦИЯ	24
<b>HR</b>	Prijenosni alat za rezanje	PRIRUČNIK S UPUTAMA	31
<b>MK</b>	Пренослива пила	УПАТСТВО ЗА УПОТРЕБА	37
<b>SR</b>	Преносни уређај за одсецање	УПУТСТВО ЗА УПОТРЕБУ	44
<b>RO</b>	Debitor pentru metale portabil	MANUAL DE INSTRUCȚIUNI	51
<b>UK</b>	Портативна відрізна пила	ІНСТРУКЦІЯ З ЕКСПЛУАТАЦІЇ	58
<b>RU</b>	Портативная Отрезная Пила	РУКОВОДСТВО ПО ЭКСПЛУАТАЦИИ	65

## M2402 M2403



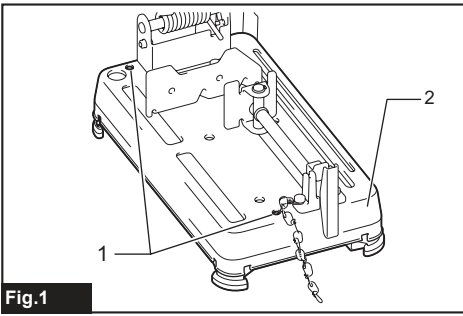


Fig.1

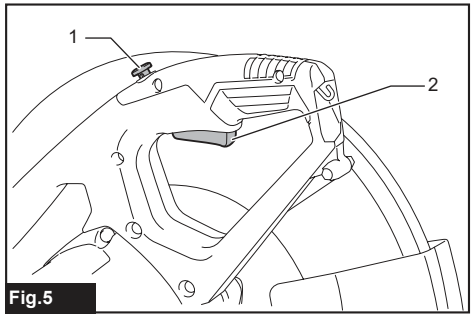


Fig.5

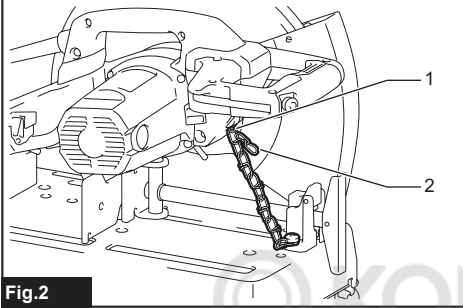


Fig.2

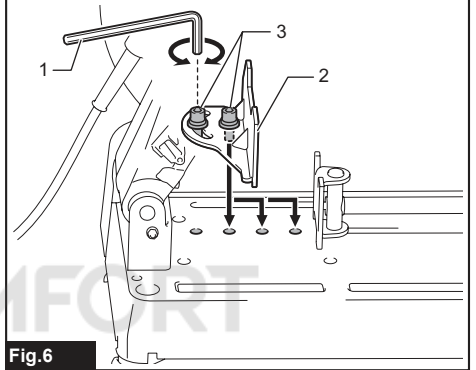


Fig.6

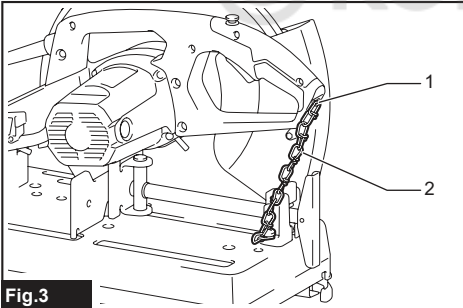


Fig.3

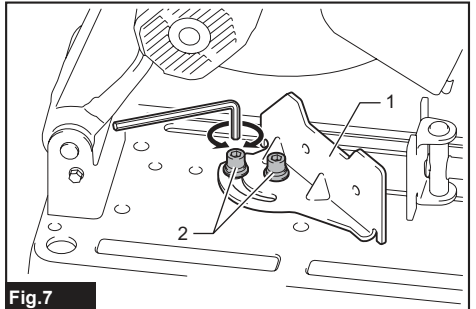


Fig.7

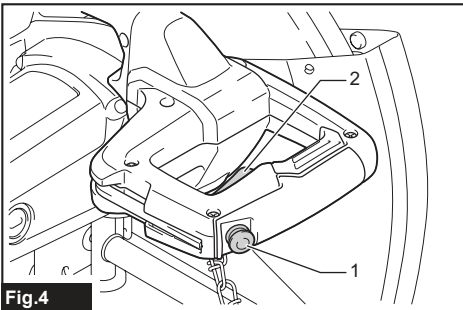


Fig.4

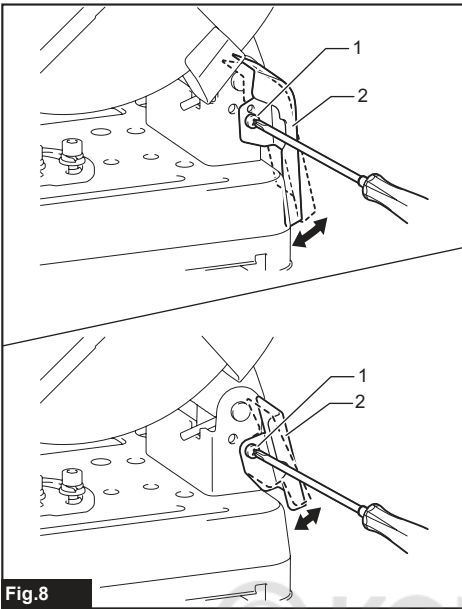


Fig.8

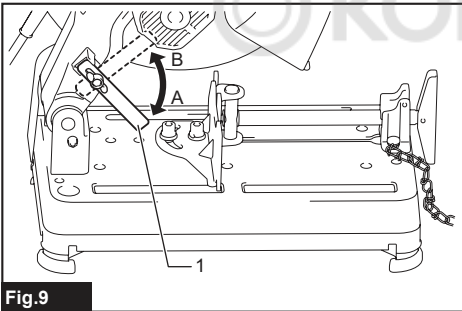


Fig.9

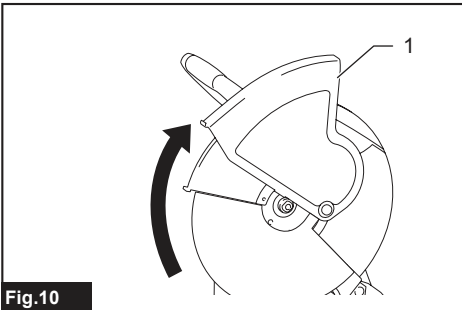


Fig.10

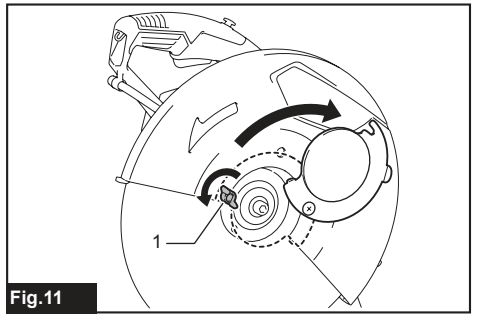


Fig.11

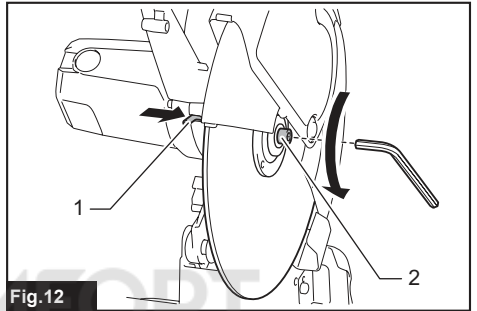


Fig.12

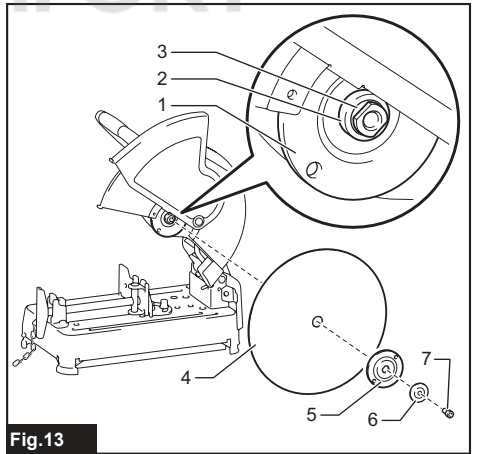


Fig.13

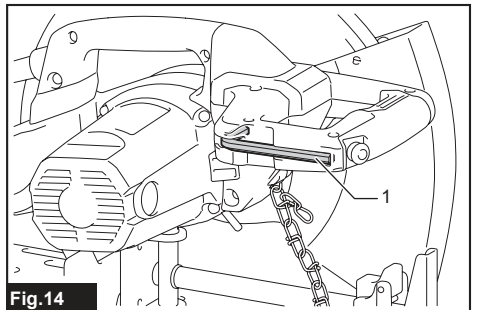


Fig.14

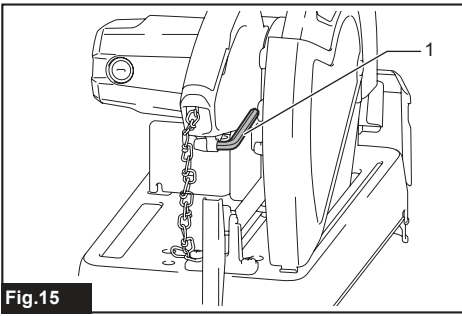


Fig.15

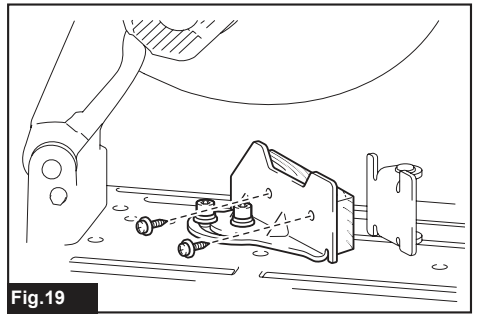


Fig.19

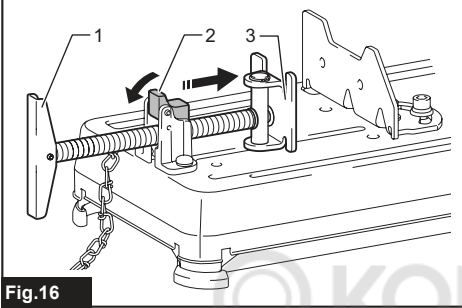


Fig.16

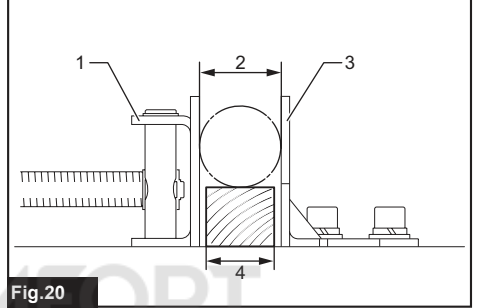


Fig.20

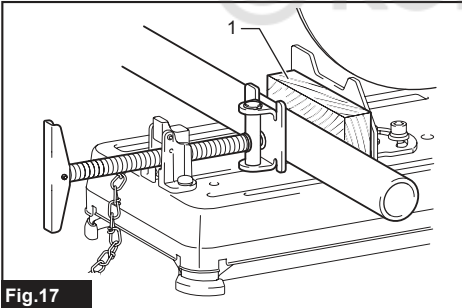


Fig.17

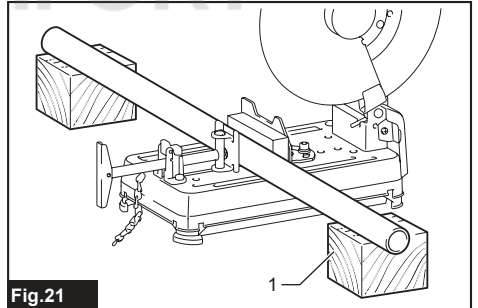


Fig.21

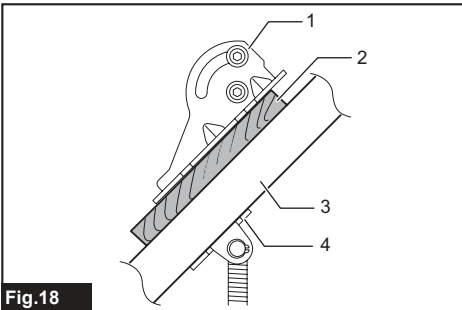


Fig.18

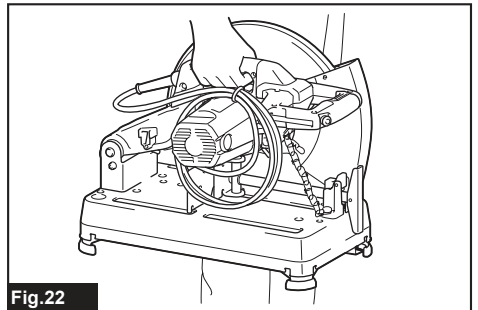


Fig.22

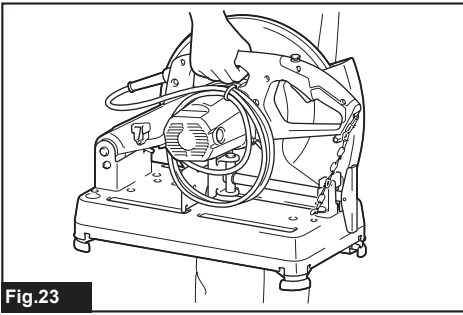


Fig.23

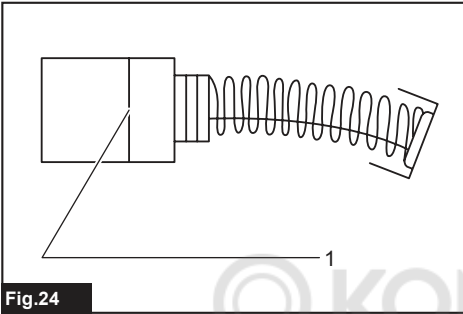


Fig.24

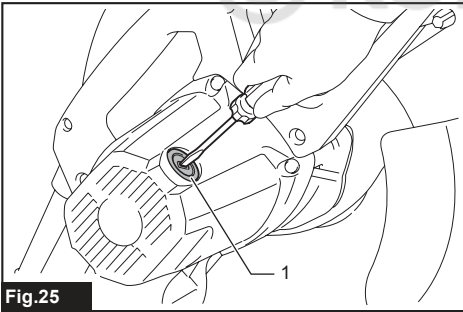


Fig.25

© KOMFORT

# SPECIFICATIONS

Model:		M2402	M2403
Wheel diameter		355 mm	
Max. wheel thickness		3 mm	
Hole diameter		25.4 mm	
No load speed		3,800 min <sup>-1</sup> or 3,900 min <sup>-1</sup> No load speed differs from country to country. Refer to the nameplate on the tool.	
Dimensions (L x W x H)	Model with front cover type safety guard + 97.0 mm height base	500 mm x 280 mm x 630 mm	515 mm x 280 mm x 640 mm
	Model with front cover type safety guard + 77.0 mm height base	490 mm x 280 mm x 610 mm	500 mm x 280 mm x 620 mm
	Model with center cap type safety guard	490 mm x 280 mm x 610 mm	500 mm x 280 mm x 620 mm
Net weight	Model with front cover type safety guard + 97.0 mm height base	15.5 kg	15.3 kg
	Model with front cover type safety guard + 77.0 mm height base	14.5 kg	14.3 kg
	Model with center cap type safety guard	14.0 kg	13.8 kg
Safety class		□/II	

- Due to our continuing program of research and development, the specifications herein are subject to change without notice.
- Specifications may differ from country to country.
- Weight according to EPTA-Procedure 01/2014

## Intended use

The tool is intended for cutting in ferrous materials with appropriate abrasive cut-off wheel. Follow all laws and regulations regarding dust and work area health and safety in your country.

## Power supply

The tool should be connected only to a power supply of the same voltage as indicated on the nameplate, and can only be operated on single-phase AC supply. They are double-insulated and can, therefore, also be used from sockets without earth wire.

## For public low-voltage distribution systems of between 220 V and 250 V

Switching operations of electric apparatus cause voltage fluctuations. The operation of this device under unfavorable mains conditions can have adverse effects to the operation of other equipment. With a mains impedance equal or less than 0.25 Ohms it can be presumed that there will be no negative effects. The mains socket used for this device must be protected with a fuse or protective circuit breaker having slow tripping characteristics.

## Noise

The typical A-weighted noise level determined according to EN62841-3-10:

### Model M2402

Sound pressure level ( $L_{pA}$ ) : 98 dB(A)

Sound power level ( $L_{WA}$ ) : 108 dB (A)

Uncertainty (K) : 3.0 dB(A)

### Model M2403

Sound pressure level ( $L_{pA}$ ) : 99 dB(A)

Sound power level ( $L_{WA}$ ) : 109 dB (A)

Uncertainty (K) : 3.0 dB(A)

**NOTE:** The declared noise emission value(s) has been measured in accordance with a standard test method and may be used for comparing one tool with another.

**NOTE:** The declared noise emission value(s) may also be used in a preliminary assessment of exposure.

**⚠ WARNING:** Wear ear protection.

**⚠ WARNING:** The noise emission during actual use of the power tool can differ from the declared value(s) depending on the ways in which the tool is used especially what kind of workpiece is processed.

**⚠ WARNING:** Be sure to identify safety measures to protect the operator that are based on an estimation of exposure in the actual conditions of use (taking account of all parts of the operating cycle such as the times when the tool is switched off and when it is running idle in addition to the trigger time).

## Vibration

The vibration total value (tri-axial vector sum) determined according to EN62841-3-10:

### Model M2402

Vibration emission ( $a_{hv}$ ): 4.5 m/s<sup>2</sup>  
Uncertainty (K): 1.5 m/s<sup>2</sup>

### Model M2403

Vibration emission ( $a_{hv}$ ): 3.5 m/s<sup>2</sup>  
Uncertainty (K): 1.5 m/s<sup>2</sup>

**NOTE:** The declared vibration total value(s) has been measured in accordance with a standard test method and may be used for comparing one tool with another.

**NOTE:** The declared vibration total value(s) may also be used in a preliminary assessment of exposure.

**⚠ WARNING:** The vibration emission during actual use of the power tool can differ from the declared value(s) depending on the ways in which the tool is used especially what kind of workpiece is processed.

**⚠ WARNING:** Be sure to identify safety measures to protect the operator that are based on an estimation of exposure in the actual conditions of use (taking account of all parts of the operating cycle such as the times when the tool is switched off and when it is running idle in addition to the trigger time).

## EC Declaration of Conformity

### For European countries only

The EC declaration of conformity is included as Annex A to this instruction manual.

## SAFETY WARNINGS

### General power tool safety warnings

**⚠ WARNING:** Read all safety warnings, instructions, illustrations and specifications provided with this power tool. Failure to follow all instructions listed below may result in electric shock, fire and/or serious injury.

### Save all warnings and instructions for future reference.

The term "power tool" in the warnings refers to your mains-operated (corded) power tool or battery-operated (cordless) power tool.

### Cut-off machine safety warnings

- Position yourself and bystanders away from the plane of the rotating wheel.** The guard helps to protect the operator from broken wheel fragments and accidental contact with wheel.
- Use only bonded reinforced cut-off wheels for your power tool.** Just because an accessory can be attached to your power tool, it does not assure safe operation.
- The rated speed of the accessory must be at least equal to the maximum speed marked on the power tool.** Accessories running faster than their rated speed can break and fly apart.
- Wheels must be used only for recommended applications. For example: do not grind with the side of a cut-off wheel.** Abrasive cut-off wheels are intended for peripheral grinding, side forces applied to these wheels may cause them to shatter.
- Always use undamaged wheel flanges that are of correct diameter for your selected wheel.** Proper wheel flanges support the wheel thus reducing the possibility of wheel breakage.
- The outside diameter and the thickness of your accessory must be within the capacity rating of your power tool.** Incorrectly sized accessories cannot be adequately guarded or controlled.
- The arbour size of wheels and flanges must properly fit the spindle of the power tool.** Wheels and flanges with arbour holes that do not match the mounting hardware of the power tool will run out of balance, vibrate excessively and may cause loss of control.
- Do not use damaged wheels. Before each use, inspect the wheels for chips and cracks. If the power tool or wheel is dropped, inspect for damage or install an undamaged wheel. After inspecting and installing the wheel, position yourself and bystanders away from the plane of the rotating wheel and run the power tool at maximum no load speed for one minute.** Damaged wheels will normally break apart during this test time.
- Wear personal protective equipment. Depending on application, use face shield, safety goggles or safety glasses. As appropriate, wear dust mask, hearing protectors, gloves and shop apron capable of stopping small abrasive or workpiece fragments.** The eye protection must be capable of stopping flying debris generated by various operations. The dust mask or respirator must be capable of filtering particles generated by your operation. Prolonged exposure to high intensity noise may cause hearing loss.
- Keep bystanders a safe distance away from work area. Anyone entering the work area must wear personal protective equipment.** Fragments of workpiece or of a broken wheel may fly away and cause injury beyond immediate area of operation.
- Position the cord clear of the spinning accessory.** If you lose control, the cord may be cut or snagged and your hand or arm may be pulled into the spinning wheel.
- Regularly clean the power tool's air vents.** The motor's fan can draw the dust inside the housing and excessive accumulation of powdered metal may cause electrical hazards.
- Do not operate the power tool near flammable materials. Do not operate the power tool while placed on a combustible surface such as wood.** Sparks could ignite these materials.
- Do not use accessories that require liquid coolants.** Using water or other liquid coolants may result in electrocution or shock.

### Kickback and related warnings

Kickback is a sudden reaction to a pinched or snagged rotating wheel. Pinching or snagging causes rapid stalling of the rotating wheel which in turn causes the uncontrolled cutting unit to be forced upwards toward the operator.

For example, if an abrasive wheel is snagged or pinched by the workpiece, the edge of the wheel that is entering into the pinch point can dig into the surface of the material causing the wheel to climb out or kick out. Abrasive wheels may also break under these conditions.

Kickback is the result of power tool misuse and/or incorrect operating procedures or conditions and can be avoided by taking proper precautions as given below.

1. **Maintain a firm grip on the power tool and position your body and arm to allow you to resist kickback forces.** The operator can control upward kickback forces, if proper precautions are taken.
2. **Do not position your body in line with the rotating wheel.** If kickback occurs, it will propel the cutting unit upwards toward the operator.
3. **Do not attach a saw chain, woodcarving blade, segmented diamond wheel with a peripheral gap greater than 10 mm or toothed saw blade.** Such blades create frequent kickback and loss of control.
4. **Do not "jam" the wheel or apply excessive pressure. Do not attempt to make an excessive depth of cut.** Overstressing the wheel increases the loading and susceptibility to twisting or binding of the wheel in the cut and the possibility of kickback or wheel breakage.
5. **When the wheel is binding or when interrupting a cut for any reason, switch off the power tool and hold the cutting unit motionless until the wheel comes to a complete stop. Never attempt to remove the wheel from the cut while the wheel is in motion otherwise kickback may occur.** Investigate and take corrective action to eliminate the cause of wheel binding.
6. **Do not restart the cutting operation in the workpiece. Let the wheel reach full speed and carefully re-enter the cut.** The wheel may bind, walk up or kickback if the power tool is restarted in the workpiece.
7. **Support any oversized workpiece to minimize the risk of wheel pinching and kickback.** Large workpieces tend to sag under their own weight. Supports must be placed under the workpiece near the line of cut and near the edge of the workpiece on both sides of the wheel.

### Additional safety warnings

1. **Watch out for flying sparks when operating.** They can cause injury or ignite combustible materials.
2. **Secure work. Use clamps or a vise to hold work when practical.** It's safer than using your hand and it frees both hands to operate tool.
3. **Secure the cut-off wheel carefully.**
4. **Be careful not to damage the spindle, flanges (especially the installing surface) or bolt, or the cut-off wheel itself might break.**

5. **Keep guards in place and in working order.**
6. **Hold the handle firmly.**
7. **Keep hands away from rotating parts.**
8. **Make sure the cut-off wheel is not contacting the work-piece before the switch is turned on.**
9. **Before each use, watch for flutter or excessive vibration that might be caused by poor installation or a poorly balanced wheel.**
10. **Remove material or debris from the area that might be ignited by sparks. Be sure that others are not in the path of the sparks. Keep a proper, charged fire extinguisher closely available.**
11. **If the cut-off wheel stops during the operation, makes an odd noise or begins to vibrate, switch off the tool immediately.**
12. **Always switch off and wait for the cut-off wheel to come to a complete stop before removing, securing workpiece, working vise, changing work position, angle or the cut-off wheel itself.**
13. **Do not touch the workpiece immediately after operation; it is extremely hot and could burn your skin.**
14. **Store wheels in a dry location only.**

## SAVE THESE INSTRUCTIONS.

## INSTALLATION

**⚠ WARNING:** This tool produces spark when cutting a workpiece. Do not install this tool in the place in which flammable and/or explosive materials might be ignited by the spark from the tool. Also make sure that there is no such material near the tool before starting the operation.

## Securing the base

This tool should be bolted with two bolts to a level and stable surface using the bolt holes provided in the tool's base. This will help prevent tipping over and possible personal injury.

► Fig.1: 1. Bolt holes 2. Base



## FUNCTIONAL DESCRIPTION

**⚠ CAUTION:** Always be sure that the tool is switched off and unplugged before adjusting or checking function on the tool.

### Unlocking/locking tool head

The tool head can be locked.

When using, unhook the lock chain from the hook. When not in use or carrying, always hook the lock chain to the hook.

M2402

► Fig.2: 1. Hook 2. Lock chain

M2403

► Fig.3: 1. Hook 2. Lock chain

### Switch action

**⚠ WARNING:** Before plugging in the tool, always check to see that the switch trigger actuates properly and returns to the "OFF" position when released.

M2402

► Fig.4: 1. Lock button / Lock-off button 2. Switch trigger

M2403

► Fig.5: 1. Lock button / Lock-off button 2. Switch trigger

### For tool with lock button

**⚠ CAUTION:** Switch can be locked in "ON" position for ease of operator comfort during extended use. Apply caution when locking tool in "ON" position and maintain firm grasp on tool.

To start the tool, simply pull the switch trigger. Release the switch trigger to stop. For continuous operation, pull the switch trigger, push in the lock button and then release the switch trigger. To stop the tool from the locked position, pull the trigger fully, then release it.

### For tool with lock-off button

**⚠ WARNING:** NEVER defeat the lock-off button by taping down or some other means. A switch with a negated lock-off button may result in unintentional operation and serious personal injury.

**⚠ WARNING:** NEVER use the tool if it runs when you simply pull the switch trigger without pressing the lock-off button. A switch in need of repair may result in unintentional operation and serious personal injury. Return tool to a Makita service center for proper repairs BEFORE further usage.

To prevent the switch trigger from being accidentally pulled, a lock-off button is provided. To start the tool, press the lock-off button and pull the switch trigger. Release the switch trigger to stop.

**NOTICE:** Do not pull the switch trigger hard without pressing in the lock-off button. This can cause switch breakage.

### Interval between vise and guide plate

**⚠ CAUTION:** After adjusting the interval between the vise and the guide plate, make sure that the guide plate is properly secured. Insufficient fixing may result in personal injury.

**⚠ CAUTION:** Remember that narrow workpieces may not be secured safely when using the two, wider interval settings.

The following interval settings of the vise are available:

- 0 - 170 mm (0" - 6-11/16") (original setting)
- 35 - 205 mm (1-3/8" - 8-1/16")
- 70 - 240 mm (2-3/4" - 9-7/16")

If your work requires different setting, proceed as follows to change the spacing or interval.

Remove the two hex socket bolts using a hex wrench. Move the guide plate to the desired position and secure it with the hex socket bolts.

► Fig.6: 1. Hex wrench 2. Guide plate 3. Hex socket bolts

### Cutting angle adjustment

**⚠ CAUTION:** After adjusting the angle of the guide plate, make sure that the guide plate is properly secured. Insufficient fixing may result in personal injury.

**⚠ CAUTION:** When performing right miter cut with the tool with the stopper plate, always set the guide plate at 0 - 170 mm (0" - 6-11/16") position. Setting at the 35 - 205 mm (1-3/8" - 8-1/16") or 70 - 240 mm (2-3/4" - 9-7/16") position hinders the movement of stopper plate, which results in a failure cut.

**⚠ CAUTION:** Do not operate the tool when the material is not firmly secured with the vise because of the cutting angle.

Loosen the two hex socket bolts using a hex wrench. Turn the guide plate to the desired angle and secure it with the hex socket bolts. Be careful not to move the set angle while securing the hex socket bolts.

► Fig.7: 1. Guide plate 2. Hex socket bolts

**NOTE:** The scale on the guide plate is only a rough indication. For more accurate angle, use a protractor or triangle ruler. Keep the handle down so that the cut-off wheel extends into the base. At the same time, adjust the angle between the guide plate and the cut-off wheel with a protractor or triangle ruler.

### Spark guard adjustment

The spark guard is factory-installed with its lower edge contacting the base. Operating the tool in this position will cause many sparks to fly around. Loosen the screw and adjust the spark guard to a position at which minimum sparks will fly around.

The type of the spark guard differs from country to country.

► Fig.8: 1. Screw 2. Spark guard

## Stopper plate

### Country specific

The stopper plate prevents the cut-off wheel from contacting the workbench or floor. When a new cut-off wheel is installed, set the stopper plate to position (A). When the cut-off wheel wears down to the extent that the lower portion of the workpiece is left uncut, set the stopper plate to position (B) to allow increased cutting capacity with a worn down wheel.

► Fig.9: 1. Stopper plate

## ASSEMBLY

**CAUTION:** Always be sure that the tool is switched off and unplugged before carrying out any work on the tool.

### Opening the safety guard

#### Opening front cover type safety guard

Raise the safety guard by hand.

► Fig.10: 1. Safety guard

#### Opening center cap type safety guard

Loosen the clamping screw first then raise the guard.

► Fig.11: 1. Clamping screw

### Removing or installing cut-off wheel

**CAUTION:** Be sure to tighten the hex socket bolt securely. Insufficient tightening may result in severe injury. When tightening the hex socket bolt, use the hex wrench provided with the tool to assure proper tightening.

**CAUTION:** Always use only the proper inner and outer flanges which are provided with the tool.

**CAUTION:** Always lower the safety guard after replacing the wheel.

**CAUTION:** Wear gloves when handling wheels.

Raise the safety guard. Turn the hex socket bolt counterclockwise using a hex wrench while holding down the shaft lock. Then remove the hex socket bolt, washer, outer flange and wheel.

► Fig.12: 1. Shaft lock 2. Hex socket bolt

► Fig.13: 1. Inner flange 2. Ring 3. O-ring 4. Bonded reinforced cut-off wheel (abrasive cut-off wheel) 5. Outer flange 6. Washer 7. Hex socket bolt

To install the wheel, follow the removal procedures in reverse. Make sure to fit the hole of cut-off wheel to the ring and return the safety guard.

## Hex wrench storage

When not in use, store the hex wrench as shown in the figure to keep it from being lost.

### M2402

► Fig.14: 1. Hex wrench

### M2403

► Fig.15: 1. Hex wrench

## OPERATION


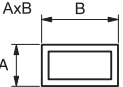
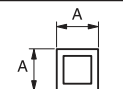

**CAUTION:** Proper handle pressure during cutting and maximum cutting efficiency can be determined by the amount of sparks that is produced while cutting. Do not force the cut by applying excessive pressure on the handle. Reduced cutting efficiency, premature wheel wear, as well as, possible damage to the tool, cut-off wheel or workpiece may result.

Hold the handle firmly. Switch on the tool and wait until the cut-off wheel attains full speed before lowering gently into the cut. When the cut-off wheel contacts the workpiece, gradually bear down on the handle to perform the cut. When the cut is completed, switch off the tool and wait until the cut-off wheel has come to a complete stop before returning the handle to the fully elevated position.

### Cutting capacity

Maximum cutting capacity varies depending on the cutting angle and workpiece shape.

#### Max. cutting capacity with a brand-new cut-off wheel

Cutting angle / Workpiece shape	90°	45°
	127 mm (5")	127 mm (5")
	102 x 194 mm (4" x 7-5/8") 70 x 233 mm (2-3/4" x 9-1/8")	115 x 103 mm (4-1/2" x 4-1/16")
	119 x 119 mm (4-11/16" x 4-11/16")	106 x 106 mm (4-3/16" x 4-3/16")
	137 x 137 x 10 mm (5-3/8" x 5-3/8" x 3/8")	100 x 100 x 10 mm (4" x 4" x 3/8")

## Securing workpiece

**⚠ CAUTION:** Always place the thread holder on the shaft threads when securing the workpiece.

Failure to do so may result in insufficient securing of the workpiece. This could cause the workpiece to be ejected or cause a dangerous breakage of the cut-off wheel.

While the thread holder is lifted, the vise plate can be moved in and out quickly. To grip a workpiece, push the handle until the vise plate contacts the workpiece then return the thread holder. Turn the handle clockwise until the workpiece is securely retained.

► **Fig.16:** 1. Handle 2. Thread holder 3. Vise plate

When the cut-off wheel has worn down considerably, place a spacer block behind the workpiece as shown in the figure. You can more efficiently utilize the worn wheel by using the mid point on the periphery of the wheel to cut the workpiece. Use a sturdy and non-flammable material for a spacer block.

► **Fig.17:** 1. Spacer block

When cutting workpieces over 85 mm (3-3/8") wide at an angle, attach a straight piece of wood (spacer) over 190 mm (7-1/2") long x 45 mm (1-3/4") wide to the guide plate as shown in the figure. Attach this spacer with screws through the holes in the guide plate. Make sure that the cut-off wheel does not contact the spacer when the tool head is depressed.

► **Fig.18:** 1. Guide plate 2. Spacer block over 190 mm (7-1/2") long x 45 mm (1-3/4") wide  
3. Workpiece over 85 mm (3-3/8") wide  
4. Vise plate

► **Fig.19**

When the cut-off wheel has worn down, raise the cutting position by putting a spacer block which is slightly narrower than the workpiece as shown in the figure. This will help you to utilize the cut-off wheel economically.

► **Fig.20:** 1. Vise plate 2. Workpiece diameter  
3. Guide plate 4. Spacer block width

Long workpieces must be supported by blocks on either side so that it will be level with the base top. Use non-flammable material for supporting blocks.

► **Fig.21:** 1. Supporting block

## Carrying tool

Fold down the tool head and lock it. Hold the handle when carrying.

**M2402**

► **Fig.22**

**M2403**

► **Fig.23**

## MAINTENANCE

**⚠ CAUTION:** Always be sure that the tool is switched off and unplugged before attempting to perform inspection or maintenance.

**NOTICE:** Never use gasoline, benzine, thinner, alcohol or the like. Discoloration, deformation or cracks may result.

To maintain product SAFETY and RELIABILITY, repairs, any other maintenance or adjustment should be performed by Makita Authorized or Factory Service Centers, always using Makita replacement parts.

## Replacing carbon brushes

► **Fig.24:** 1. Limit mark

Check the carbon brushes regularly. Replace them when they wear down to the limit mark. Keep the carbon brushes clean and free to slip in the holders. Both carbon brushes should be replaced at the same time. Use only identical carbon brushes.

1. Use a screwdriver to remove the brush holder caps.
2. Take out the worn carbon brushes, insert the new ones and secure the brush holder caps.

► **Fig.25:** 1. Brush holder cap

## TEHNIČNI PODATKI

Model:		M2402	M2403
Premer rezalne plošče		355 mm	
Največja debelina plošče		3 mm	
Premer odprtine		25,4 mm	
Hitrost brez obremenitve		3.800 min <sup>-1</sup> ali 3.900 min <sup>-1</sup> Hitrost brez obremenitve se razlikuje od države do države. Glejte tipsko ploščico na orodju.	
Mere (D x Š x V)	Model s tipom ščitnika s sprednjim pokrovčkom + 97,0 mm višine nosilca	500 mm x 280 mm x 630 mm	515 mm x 280 mm x 640 mm
	Model s tipom ščitnika s sprednjim pokrovčkom + 77,0 mm višine nosilca	490 mm x 280 mm x 610 mm	500 mm x 280 mm x 620 mm
	Model s tipom ščitnika s srednjim pokrovčkom	490 mm x 280 mm x 610 mm	500 mm x 280 mm x 620 mm
Neto teža	Model s tipom ščitnika s sprednjim pokrovčkom + 97,0 mm višine nosilca	15,5 kg	15,3 kg
	Model s tipom ščitnika s sprednjim pokrovčkom + 77,0 mm višine nosilca	14,5 kg	14,3 kg
	Model s tipom ščitnika s srednjim pokrovčkom	14,0 kg	13,8 kg
Razred zaščite		□/II	

- Ker nenehno opravljamo raziskave in razvijamo svoje izdelke, se lahko tehnični podatki v tem dokumentu spremenijo brez obvestila.
- Tehnični podatki se lahko razlikujejo od države do države.
- Teža v skladu s postopkom EPTA 01/2014

### Predvidena uporaba

Orodje je namenjeno za rezanje železnega materiala z ustreznim abrazivno rezalno ploščo. Upoštevajte vse nacionalne zakone in predpise glede prahu in zdravja ter varnosti na delovnem mestu.

### Priključitev na električno omrežje

Napetost električnega omrežja se mora ujemati s podatki na tipski ploščici. Stroj deluje samo z enofazno izmenično napetostjo. Stroj je po evropskih smernicah dvojno zaščitno izoliran, zato se ga lahko priključi tudi v vtičnice brez ozemljitvenega voda.

### Za javna niskonapetostna električna omrežja z napetostjo med 220 V in 250 V

Vklopi in izklopi električnih aparatov povzročajo nihanje električne napetosti. Delovanje te naprave v neugodnih omrežnih pogojih ima lahko neželene učinke na delovanje drugih priključenih naprav. Pri impedanci omrežja, ki je enaka ali manjša od 0,25 ohma, je možno predpostaviti, da ne bo negativnih učinkov. Omrežna vtičnica, na katero bo priključena ta naprava, mora biti zaščitena z varovalko ali s tokovnim zaščitnim stikalom s počasno karakteristiko proženja.

### Hrup

Običajna A-ovrednotena raven hrupa v skladu z EN62841-3-10:

#### Model M2402

Raven zvočnega tlaka ( $L_{pA}$ ): 98 dB (A)  
Raven zvočne moči ( $L_{WA}$ ): 108 dB (A)  
Odstopanje (K): 3,0 dB (A)

#### Model M2403

Raven zvočnega tlaka ( $L_{pA}$ ): 99 dB (A)  
Raven zvočne moči ( $L_{WA}$ ): 109 dB (A)  
Odstopanje (K): 3,0 dB (A)

**OPOMBA:** Navedene vrednosti oddajanja hrupa so bile izmerjene v skladu s standardnimi metodami testiranja in se lahko uporabljajo za primerjavo orodij.

**OPOMBA:** Navedene vrednosti oddajanja hrupa se lahko uporabljajo tudi pri predhodni oceni izpostavljenosti.

**⚠ OPOZORILO:** Uporabljajte zaščito za sluh.

**⚠ OPOZORILO:** Oddajanje hrupa med dejansko uporabo električnega orodja se lahko razlikuje od navedenih vrednosti, odvisno od načina uporabe orodja in predvsem vrste obdelovanca.

**⚠ OPOZORILO:** Upravljevec mora za lastno zaščito poznati varnostne ukrepe, ki temeljijo na oceni izpostavljenosti v dejanskih pogojih uporabe (poleg časa proženja je treba upoštevati celoten delovni cikel, vključno s časom, ko je orodje izklopljeno, in časom, ko deluje v prostem teku).

## Vibracije

Skupne vrednosti vibracij (vektorska vsota treh osi) v skladu s EN62841-3-10:

### Model M2402

Emisije vibracij ( $a_n$ ): 4,5 m/s<sup>2</sup>

Odstopanje (K): 1,5 m/s<sup>2</sup>

### Model M2403

Emisije vibracij ( $a_n$ ): 3,5 m/s<sup>2</sup>

Odstopanje (K): 1,5 m/s<sup>2</sup>

**OPOMBA:** Navedene skupne vrednosti oddajanja vibracij so bile izmerjene v skladu s standardnimi metodami testiranja in se lahko uporabljajo za primerjavo orodij.

**OPOMBA:** Navedene skupne vrednosti oddajanja vibracij se lahko uporabljajo tudi pri predhodni oceni izpostavljenosti.

**⚠ OPOZORILO:** Oddajanje vibracij med dejansko uporabo električnega orodja se lahko razlikuje od navedenih vrednosti, odvisno od načina uporabe orodja in predvsem vrste obdelovanca.

**⚠ OPOZORILO:** Upravljevec mora za lastno zaščito poznati varnostne ukrepe, ki temeljijo na oceni izpostavljenosti v dejanskih pogojih uporabe (poleg časa proženja je treba upoštevati celoten delovni cikel, vključno s časom, ko je orodje izklopljeno, in časom, ko deluje v prostem teku).

## Izjava o skladnosti ES

### Samo za evropske države

Izjava ES o skladnosti je vključena v dodatku A, ki je priložen tem navodilom za uporabo.

## VARNOSTNA OPOZORIILA

### Splošna varnostna opozorila za električno orodje

**⚠ OPOZORILO:** Preberite vsa varnostna opozorila in navodila s slikami in tehničnimi podatki, ki so dobavljeni skupaj z električnim orodjem. Ob neupoštevanju spodaj navedenih navodil obstaja nevarnost električnega udara, požara in/ali hudih telesnih poškodb.

## Shranite vsa opozorila in navodila za poznejšo uporabo.

Izraz „električno orodje“ v opozorilih se nanaša na vaše električno orodje (s kablom) ali baterijsko električno orodje (brez kabla).

## Varnostna opozorila za rezalni stroj

1. Vi in osebe v bližini se ne smete približevati ravnini vrteče se rezalne plošče. Ščitnik varuje upravljavca pred zlomljenimi delci rezalne plošče in nenamernim stikom z rezalno ploščo.
2. Za vaše električno orodje uporabljajte le ojačane rezalne plošče. Če je nastavek mogoče pritrditi na električno orodje, to še ne pomeni, da je uporaba tega pribora varna.
3. Nazivno število vrtljajev nastavka mora ustrezati vsaj največjemu številu vrtljajev, ki je označeno na električnem orodju. Nastavek, ki se vrti hitreje od nazivnega števila vrtljajev, se lahko zlomi in razleti.
4. Rezalne plošče se lahko uporabljajo le za priporočene naprave. Ne uporabljajte jih na primer za brušenje s stransko ploskvijo. Namenjene so brušenju z robom rezila. Pri izvajanju bočne sile na te plošče lahko počijo.
5. Uporabljajte samo nepoškodovane vpenjalne prirobnice, ki po dimenziji ustrezajo uporabljeni rezalni plošči. Ustrezne prirobnice podpirajo ploščo in zmanjšujejo nevarnost zloma plošče.
6. Zunanji premer in debelina nastavka morata ustrezati nazivni moči električnega orodja. Nastavka neustrezne velikosti ni mogoče pravilno zavarovati s ščitniki ali ga povsem nadzorovati.
7. Mere rezalnih plošč in prirobnic se morajo natančno prilegati meram vretena na električnem orodju. Če se te mere ne ujemajo, lahko pri uporabi električnega orodja nastopi opletanje z vibracijami in uporabnik izgubi nadzor nad električnim orodjem.
8. Ne uporabljajte poškodovanih rezalnih plošč. Pred vsako uporabo preverite, da rezalne plošče niso počene ali kako drugače poškodovane. Če pade električno orodje ali rezalna plošča na tla, preverite, ali so nastale poškodbe, in po potrebi namestite nepoškodovano rezalno ploščo. Po pregledu in namestitvi rezalne plošče se postavite izven ravnine vrtenja rezalne plošče, opozorite osebe v bližini, da se oddaljijo, ter vključite orodje na najvišji hitrosti in ga pustite delovati eno minuto brez obremenitve. Med tem preizkusom poškodovane rezalne plošče običajno počijo.
9. Uporabljajte osebna zaščitna sredstva. Odvisno od dela, ki ga opravljate, uporabljajte zaščitno masko za obraz in oči ali zaščitna očala. Če je potrebno, uporabljajte zaščitno masko proti prahu, glušnike, rokavice ali predpasnik za zaščito pred drobcami materiala. Zaščita za oči mora zadržati leteče drobce, ki so prisotni pri različnih načinih dela. Protiprašna maska ali maska za zaščito dihal mora zadržati delce, ki nastajajo med delom. Izpostavljanje hrupu lahko povzroči izgubo sluha.
10. Pri delu poskrbite, da bodo druge osebe varno oddaljene od delovnega območja. V delovno območje lahko vstopajo samo osebe z ustrezno osebno zaščitno opremo. Leteči drobcami materiala obdelovanca ali počene plošče so nevarni in lahko povzročijo poškodbe tudi izven delovnega območja.

11. **Električni kabel postavite tako, da bo izven dosega vrtečega nastavka.** V primeru izgube nadzora nad električnim orodjem lahko pride do poškodb električnega kabla, zaradi česar vam lahko to električno orodje poškoduje prste ali roke.
12. **Redno čistite hladilne reže električnega orodja.** Ventilator motorja vsesava v ohišje prah, ki povzroča škodljivo kopičenje kovinskih ostružkov in s tem nevarnost električnega udara.
13. **Ne uporabljajte električnega orodja v bližini gorljivih snovi. Električnega orodja ne uporabljajte na vnetljivih površinah, kot je les.** Gorljive snovi se lahko vnamejo zaradi iskenja.
14. **Ne uporabljajte nastavkov, ki so predvideni za uporabo s tekočim hladilnim sredstvom.** Uporaba vode ali drugih tekočin za hlajenje lahko povzroči električni udar.

#### **Opozorila v zvezi s povratnim udarcem**

Povratni udarec je nenadna reakcija, do katere pride, ko vrteča se plošča blokira ali se zagodzi. Blokada ali zagozdenje povzroči hitro zaustavitev vrteče se plošče, pri čemer rezalno orodje nenadzorovano sune navzgor proti upravljavcu. Če na primer abrazivna plošča blokira ali se zagodzi v obdelovancu, lahko rob v točki zagozdenja zareže v površino, pri tem pa nastala sila rezalno ploščo odbije od materiala. Abrazivna plošča se lahko pod temi pogoji tudi zlomi. Povratni udarec je posledica nepravilne uporabe in/ali nestrokovnega ravnanja z električnim orodjem oziroma neugodnih okoliščin. Preprečite ga lahko z upoštevanjem spodaj navedenih opozoril.

1. **Električno orodje držite s trdnim prijemom in se postavite v takšen položaj, da lahko prestržete sile povratnega udarca.** Upravljavec lahko povratne udarce učinkovito prepreči z upoštevanjem previdnostnih ukrepov.
2. **Ne postavljajte se v linijo z vrtečo se rezalno ploščo.** V primeru povratnega udarca bo orodje sunilo proti upravljavcu.
3. **Ne priključite verižnih rezil za izrezovanje lesa, segmentiranih diamantnih rezalnih plošč z bočnim robom, večjim od 10 mm, ali nazobčanih žaginskih listov.** Tovrstna orodja pogosto povzročijo povratni udarec ali izgubo nadzora nad električnim orodjem.
4. **Rezalne plošče ne „blokirate“ ali preobremenjujte. Ne skušajte narediti preglobokih rezov.** Preobremenjevanje rezalne plošče povečuje možnost zvijanja ali zagozdenja rezalne plošče v obdelovancu ter s tem možnost povratnega udarca ali zloma rezalne plošče.
5. **Če je rezalna plošča zagozdena ali če iz katerega koli razloga rezanje prekinete, električno orodje izklopite in ga držite pri miru, dokler se rezalna plošča popolnoma ne ustavi.** Nikoli ne skušajte odstraniti rezalne plošče iz obdelovanca, dokler se rezalna plošča še vrti. V nasprotnem primeru lahko pride do povratnega udarca. Preverite in odpravite vzrok oviranja rezalne plošče.
6. **Rezanja ne začnite znova v obdelovancu. Najprej počakajte, da plošča doseže polno hitrost, nato pa pazljivo nadaljujte rezanje.** Če začnete z rezanjem v obdelovancu, se lahko rezalna plošča zagodzi ali premakne, lahko pa pride tudi do povratnega udarca.

7. **Pod velike obdelovance postavite podporo, da zmanjšate možnost zagozdenja rezalne plošče ali povratnega udarca.** Veliki obdelovanci se lahko zaradi lastne teže povesijo. Pod obdelovance je treba poleg linije reza in poleg roba obdelovanca na obeh straneh plošče postaviti podporo.

#### **Dodatna varnostna opozorila**

1. **Med uporabo se pazite letočih isker.** Lahko povzročijo poškodbe ali vžig vnetljivih materialov.
2. **Varno delo. Uporabljajte sponke ali premež za držanje obdelovanca, ko je to priročno.** Varneje je kot uporaba rok, poleg tega pa imate obe roki prosti za upravljanje orodja.
3. **Previdno pritrdite rezalno ploščo.**
4. **Pazite, da ne poškodujete vretena, prirobnic (zlasti pri nameščanju podlage) ali vijaka, sicer se rezalna plošča lahko zlomi.**
5. **Ščitniki morajo biti nameščeni in delujoči.**
6. **Trdno držite ročaj.**
7. **Ne približujte rok vrtečim se delom.**
8. **Preden vklopite stikalo, se prepričajte, da se rezalna plošča ne dotika obdelovanca.**
9. **Pred vsako uporabo bodite pozorni na morebitne vibracije ali tresljaje, ki bi lahko nakazovali na nepravilno nameščeno oziroma slabo centrirano ploščo.**
10. **Iz delovnega območja odstranite material ali ostanke materialov, ki bi se zaradi iskenja lahko vneli. Zagotovite, da se v območju iskrenja ne bodo zadrževale druge osebe. V bližini imejte ustrezen, napolnjen gasilni aparat.**
11. **Če se rezalna plošča med uporabo ustavi, povzroča nenavaden hrup ali začne vibrirati, nemudoma izklopite orodje.**
12. **Rezalno ploščo vedno izklopite in počakajte, da se popolnoma ustavi, preden odstranite ali pritrdite obdelovavec, delate s premežem, spreminjate delovni položaj ali kot rezalne plošče.**
13. **Obdelovanca se ne dotikajte neposredno po obdelavi; ta je namreč zelo vroč in se lahko opečete.**
14. **Plošče shranjujte na suhem mestu.**

## **SHRANITE TA NAVODILA.**

## **NAMESTITEV**

**⚠ OPOZORILO:** To orodje pri rezanju obdelovanca proizvaja iskre. Tega orodja ne namestite na mestu, kjer lahko iskre, ki letijo iz orodja, povzročijo vžig vnetljivih in/ali eksplozivnih snovi. Pred začetkom dela se prepričajte tudi, da takšnih snovi ni v bližini orodja.

## **Pritrditev osnovne plošče**

Orodje je treba priviti z dvema vijakoma na ravno in stabilno podlago z uporabo odprtin za vijake v osnovni plošči orodja. Tako boste preprečili prevrnitev orodja in morebitne telesne poškodbe.

► **SI.1:** 1. Odprtine za vijake 2. Osnovna plošča

## OPIS DELOVANJA

**⚠️ POZOR:** Pred vsako nastavitvijo ali pregledom nastavitve orodja se prepričajte, da je orodje izklopljeno in izključeno z električnega omrežja.

### Odklepanje/zaklepanje glave orodja

Glavo orodja lahko zaklenete.

Ko uporabljate orodje, odstranite verigo za zaklepanje s kavlija. Ko orodja ne uporabljate ali ga prenašate, verigo za zaklepanje vedno obesite na kavelj.

#### M2402

► **SI.2:** 1. Kavelj 2. Veriga za zaklepanje

#### M2403

► **SI.3:** 1. Kavelj 2. Veriga za zaklepanje

## Delovanje stikala

**⚠️ OPOZORILO:** Pred priključitvijo orodja na električno omrežje se vedno prepričajte, da je stikalo brezhibno in se vrača v položaj za izklop (OFF), ko ga spustite.

#### M2402

► **SI.4:** 1. Gumb za zaklep/odklop 2. Sprožilno stikalo

#### M2403

► **SI.5:** 1. Gumb za zaklep/odklop 2. Sprožilno stikalo

## Za orodje z gumbom za zaporo vklopa

**⚠️ POZOR:** Stikalo lahko zaklenete v položaju za vklop „ON“ za lažje upravljanje med podaljšano uporabo. Bodite previdni pri zaklepanju orodja v položaju za vklop „ON“ in dobro držite orodje.

Za zagon orodja pritisnite sprožilno stikalo. Za izklop spustite stikalo. Za neprekinjeno delovanje pritisnite sprožilno stikalo, pritisnite gumb za zaklep, nato pa spustite sprožilno stikalo. Za izklop orodja iz zaklenjenega položaja pritisnite sprožilno stikalo in ga nato spustite.

## Za orodje s sprostilnim gumbom

**⚠️ OPOZORILO:** NIKOLI ne onesposobite gumba za odklep, tako da ga zalepite ali podobno. Stikalo z onesposobljenim gumbom za odklep lahko privede do nenamerne delovanja in resnih telesnih poškodb.

**⚠️ OPOZORILO:** NIKOLI ne uporabljajte orodja, kadar začne delovati, če pritisnete samo sprožilno stikalo in pri tem ne pritisnete gumba za odklep. Stikalo, ki ga je treba popraviti, lahko privede do nenamerne delovanja in hudih telesnih poškodb. PRED nadaljnjo uporabo vrnite orodje v servisni center Makita v ustrezno popravilo.

Za preprečevanje nenamerne sprožitve stikala je nameščen sprostilni gumb. Za zagon orodja hkrati pritisnite sprostilni gumb in pritisnite sprožilno stikalo. Za izklop spustite stikalo.

**OBVESTILO:** Ne vlecite sprožilnega stikala močno, ne da bi pri tem pritisnili sprostilni gumb. Stikalo se namreč lahko zlomi.

## Razmik med primežem in vodilno ploščo

**⚠️ POZOR:** Po nastavitvi razmika med primežem in vodilno ploščo se prepričajte, da je vodilna plošča nameščena trdno. Če pritrditev ni trdna, se lahko poškodujete.

**⚠️ POZOR:** Upošteвайте, da ozkih obdelavencev morda ne bo mogoče varno pritrditi pri uporabi dveh širših nastavitvev razmika.

Na voljo so naslednje nastavitve razmika za primež:

- 0 - 170 mm (0" - 6-11/16") (originalna nastavitvev)
- 35 - 205 mm (1-3/8" - 8-1/16")
- 70 - 240 mm (2-3/4" - 9-7/16")

Če pri svojem delu potrebujete drugačno nastavitvev, razmik nastavite na naslednji način.

Z inbus ključem odstranite dva vijaka s šeststrobo torx glavo. Pomaknite vodilno ploščo v zeleni položaj in jo pritrdite z vijakoma s šeststrobo torx glavo.

► **SI.6:** 1. Inbus ključ 2. Vodilna plošča 3. Vijaki s šeststrobo torx glavo

## Prilaganje kota reza

**⚠️ POZOR:** Po nastavitvi kota vodilne plošče se prepričajte, da je vodilna plošča nameščena trdno. Če pritrditev ni trdna, se lahko poškodujete.

**⚠️ POZOR:** Med desnim zajeralnim rezanjem z orodjem z zapiralno ploščo vedno nastavite vodilno ploščo v položaj 0 - 170 mm (0" - 6-11/16"). Nastavitvev v položaj 35 - 205 mm (1-3/8" - 8-1/16") ali 70 - 240 mm (2-3/4" - 9-7/16") ovira premikanje zapiralne plošče, kar povzroči nepravilen rez.

**⚠️ POZOR:** Ne upravljajte orodja, če material ni trdno pritrjen v primežu, da ne premaknete rezalnega kota.

Z inbus ključem odvijte dva vijaka s šeststrobo torx glavo. Obrnite vodilno ploščo v zeleni kot in jo pritrdite z vijakoma s šeststrobo torx glavo. Med pritrjevanjem vijakov s šeststrobo torx glavo pazite, da ne premaknete nastavljenega kota.

► **SI.7:** 1. Vodilna plošča 2. Vijaki s šeststrobo torx glavo

**OPOMBA:** Lestvica na vodilni plošči je samo približna oznaka. Za natančnejši kot uporabite kotomer ali trikotno ravnilo. Ročaj držite pritisnjen navzdol, tako da rezalna plošča seže v osnovno ploščo. Pri tem s kotomerom ali trikotnim ravnilom nastavite kot med vodilno ploščo in rezalno ploščo.

## Nastavitvev zaščite pred iskrami

Zaščita pred iskrami je tovarniško nameščena tako, da se spodnji rob dotika osnovne plošče. Uporaba orodja v tem položaju povzroča močno iskenjenje. Odvijte vijak in zaščito pred iskrami nastavite v položaj, v katerem bo preskakovanje isker minimalno.

Vrsta zaščite pred iskrami se razlikuje glede na državo.

► **SI.8:** 1. Vijak 2. Zaščita pred iskrami

## Zapiralna plošča

### Odpisno od države

Zapiralna plošča preprečuje stik rezalne plošče z delovnim pultom ali tlemi. Kadar nameščate novo rezalno ploščo, nastavite zapiralno ploščo v položaj (A). Ko se rezalna plošča obrabi do te mere, ko spodnji del obdelovanca ostane neprerezan, nastavite zapiralno ploščo v položaj (B), da omogočite večjo zmogljivost rezanja z obrabljeno ploščo.

► SI.9: 1. Zapiralna plošča

## MONTAŽA

**⚠ POZOR:** Pred vsakim posegom v orodje se prepričajte, da je orodje izklopljeno in izključeno z električnega omrežja.

### Odpiranje ščitnika

#### Odpiranje tipa ščitnika s sprednjim pokrovčkom

Z roko dvignite ščitnik.

► SI.10: 1. Ščitnik

#### Odpiranje tipa ščitnika s srednjim pokrovčkom

Najprej odvijte vpenjalni vijak in nato dvignite ščitnik.

► SI.11: 1. Vpenjalni vijak

### Odstranjevanje ali nameščanje rezalne plošče

**⚠ POZOR:** Trdno privijte vijak s šestrobo torx glavo. Če pritrditev ni trdna, se lahko hudo poškodujete. Za pritrditev vijaka s šestrobo torx glavo uporabite inbus ključ, priložen orodju, da zagotovite ustrezno privijanje.

**⚠ POZOR:** Vedno uporabljajte samo primerne notranje in zunanje prirobnice, priložene orodju.

**⚠ POZOR:** Ko zamenjate ploščo, vedno spustite zaščitni pokrov.

**⚠ POZOR:** Pri uporabi plošč nosite rokavice.

Dvignite ščitnik. Vijak s šestrobo torx glavo obrnite v nasprotni smeri urnega kazalca z inbus ključem, istočasno pa pridržite zaporo vretena navzdol. Nato odstranite vijak s šestrobo torx glavo, podložko, zunanjo prirobnico in rezilo.

► SI.12: 1. Zapora vretena 2. Vijak s šestrobo torx glavo

► SI.13: 1. Notranja prirobnica 2. Obroč 3. O-obroč 4. Vezana ojačena rezalna plošča (abrazivna rezalna plošča) 5. Zunanja prirobnica 6. Podložka 7. Šestrobi vijak

Za namestitev plošče sledite korakom za odstranjevanje v obratnem vrstnem redu. Odprtina rezalne plošče se mora prilegati obroču, nato postavite ščitnik nazaj na njegovo mesto.

## Shranjevanje inbus ključa

Ko inbus ključa ne uporabljate, ga shranite, kot je prikazano na sliki, da ga ne izgubite.

### M2402

► SI.14: 1. Imbusni ključ

### M2403

► SI.15: 1. Imbusni ključ

## UPRAVLJANJE

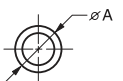
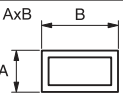
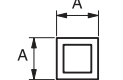

**⚠ POZOR:** Primerno pritiskanje ročaja med rezanjem in najvišjo učinkovitost rezanja je mogoče določiti s količino isker, ki nastajajo med rezanjem. Reza ne izvajajte s silo, tj. s čezmernim pritiskanjem ročaja. V nasprotnem primeru lahko pride do zmanjšane učinkovitosti rezanja, predčasne obrabe plošče in tudi do poškodb orodja, rezalne plošče ali obdelovanca.

Trdno držite ročaj. Vklomite orodje in počakajte, da rezalna plošča doseže polno število vrtljajev, preden jo počasi spustite na obdelovanec. Ko se rezalna plošča dotakne obdelovanca, rahlo potiskajte ročaj, da izvedete rez. Ko je rez končan, izklopite orodje in počakajte, da se rezalna plošča povsem ustavi in šele nato vrnete ročaj v najvišji položaj.

### Zmogljivost rezanja

Maksimalna zmogljivost rezanja je odvisna od kota rezanja in oblike obdelovanca.

#### Maksimalna zmogljivost rezanja s povsem novo rezalno ploščo

Kot rezanja/ oblika obdelovanca	90°	45°
	127 mm (5")	127 mm (5")
	102 x 194 mm (4" x 7-5/8") 70 x 233 mm (2-3/4" x 9-1/8")	115 x 103 mm (4-1/2" x 4-1/16")
	119 x 119 mm (4-11/16" x 4-11/16")	106 x 106 mm (4-3/16" x 4-3/16")
	137 x 137 x 10 mm (5-3/8" x 5-3/8" x 3/8")	100 x 100 x 10 mm (4" x 4" x 3/8")



## Pritrjevanje obdelovanca

**⚠ POZOR:** Pri pritrjevanju obdelovanca držalo za napeljevanje vedno namestite na navoje osi. V nasprotnem primeru obdelovanec morda ne bo zadostno pritrjen. Zaradi tega lahko obdelovanec izvrže ali pride do nevarnega zloma rezalne plošče.

Ko je držalo za napeljevanje dvignjeno, lahko čeljust primeža hitro premikate navznoter in navzven. Za pritrditev obdelovanca potisnite ročico, da se čeljust primeža dotakne obdelovanca, nato pa držalo za napeljevanje vrnite v prejšnji položaj. Ročico obračajte v smeri urnega kazalca, dokler obdelovanec ni trdno pritrjen.

► **SI.16:** 1. Ročaj 2. Držalo za napeljevanje 3. Čeljust primeža

Ko se rezalna plošča precej obrabi, za obdelovanec položite distančni blok, kot je prikazano na sliki. Obrabljeno ploščo lahko učinkoviteje uporabite tako, da za rezanje obdelovanca uporabite središče roba plošče. Distančni blok naj bo iz trdne in nevnetljive snovi.

► **SI.17:** 1. Distančni blok

Pri kotnem rezanju obdelovancev, širših od 85 mm (3-3/8"), na vodilno ploščo namestite raven kos lesa (distančnik), ki meri več kot 190 mm (7-1/2") po dolžini x 45 mm (1-3/4") po širini, kot je prikazano na sliki. Distančnik pritrdite z vijaki skozi odprtine na vodilni plošči. Ko je glava orodja pritisnjena navzdol, se rezalna plošča ne sme dotikati distančnika.

► **SI.18:** 1. Vodilna plošča 2. Distančni blok z merami več kot 190 mm (7-1/2") po dolžini x 45 mm (1-3/4") po širini 3. Obdelovanec z merami več kot 85 mm (3-3/8") po širini 4. Čeljust primeža

► **SI.19**

Ko se rezalna plošča obrabi, dvignite položaj rezanja tako, da postavite distančni blok, ki je nekoliko ožji od obdelovanca, kot je prikazano na sliki. To vam bo v pomoč pri varčni uporabi rezalne plošče.

► **SI.20:** 1. Čeljust primeža 2. Premer obdelovanca 3. Vodilna plošča 4. Širina distančnega bloka

Dolge obdelovance je treba na obeh straneh podpreti z bloki, tako da so poravnani z vrhnjim delom. Podporni bloki morajo biti iz nevnetljive snovi.

► **SI.21:** 1. Podporni blok

## Prenašanje orodja

Zložite glavo orodja in jo zaklenite. Med prenašanjem držite ročaj.

**M2402**

► **SI.22**

**M2403**

► **SI.23**

## VZDRŽEVANJE

**⚠ POZOR:** Preden se lotite pregledovanja ali vzdrževanja orodja, se vedno prepričajte, da je orodje izklopljeno in vtič izvlečen iz vtičnice.

**OBVESTILO:** Nikoli ne uporabljajte bencina, razredčila, alkohola ali podobnega sredstva. V tem primeru se lahko orodje razbarva ali deformira oziroma lahko nastanejo razpoke.

VARNO in ZANESLJIVO delovanje tega izdelka bo zagotovljeno le, če boste popravila, vzdrževanje in nastavitve prepustili pooblaščenemu servisu za orodja Makita ali tovarniškemu osebju, ki vgrajuje izključno originalne nadomestne dele.

## Menjava karbonskih krtačk

► **SI.24:** 1. Mejna označba

Karbonski krtački preverjajte redno.

Ko sta obrabljeni do mejne označbe, ju zamenjajte. Karbonski krtački morata biti čisti, da lahko neovirano zdrsneti v držali. Zamenjajte obe karbonski krtački naenkrat. Uporabljajte le enaki karbonski krtački.

1. Z izvijačem odstranite pokrova držal krtačk.

2. Izvlecite izrabljeni karbonski krtački, namestite novi in privijte oba pokrova držal krtačk.

► **SI.25:** 1. Pokrov držala krtačk

## SPECIFIKIMET

Modeli:		M2402	M2403
Diametri i diskut		355 mm	
Trashësia maks. e diskut		3 mm	
Diametri i vrimës		25,4 mm	
Shpejtësia pa ngarkesë		3 800 min <sup>-1</sup> ose 3 900 min <sup>-1</sup> Shpejtësia pa ngarkesë ndryshon nga njëri shtet në tjetrin. Referojuni pllakëzës udhëzuese në vegël.	
Përmasat (GJ x T x L)	Modeli me mbrojtëse sigurie të llojit me kapak të përparmë + bazë me lartësi 97,0 mm	500 mm x 280 mm x 630 mm	515 mm x 280 mm x 640 mm
	Modeli me mbrojtëse sigurie të llojit me kapak të përparmë + bazë me lartësi 77,0 mm	490 mm x 280 mm x 610 mm	500 mm x 280 mm x 620 mm
	Modeli me mbrojtëse sigurie të llojit me kapak qendror	490 mm x 280 mm x 610 mm	500 mm x 280 mm x 620 mm
Pesha neto	Modeli me mbrojtëse sigurie të llojit me kapak të përparmë + bazë me lartësi 97,0 mm	15,5 kg	15,3 kg
	Modeli me mbrojtëse sigurie të llojit me kapak të përparmë + bazë me lartësi 77,0 mm	14,5 kg	14,3 kg
	Modeli me mbrojtëse sigurie të llojit me kapak qendror	14,0 kg	13,8 kg
Kategoria e sigurisë		II	

- Për shkak të programit tonë të vazhdueshëm të kërkim-zhvillimit, specifikimet që jepen këtu mund të ndryshojnë pa dhënë njoftim.
- Specifikimet mund të ndryshojnë nga njëri shtet në tjetrin.
- Pesha sipas Procedurës EPTA 01/2014

### Përdorimi i synuar

Vegla është synuar për prerje në materiale prej hekuri me anë të diskut smerilues prerës. Ndiqni të gjitha ligjet dhe rregulloret në shtetin tuaj në lidhje me pluhurat dhe shëndetin dhe sigurinë në zonën e punës.

### Furnizimi me energji

Vegla duhet të lidhet vetëm me një furnizim me energji me të njëjtin tension të treguar në pllakëzën metalike udhëzuese dhe mund të funksionojë vetëm me rrymë alternative njëfazore. Ata kanë izolim të dyfishtë dhe mund të përdorin priza pa tokëzim.

### Për sisteme shpërndarjeje publike me tension të ulët ndërmjet 220 V dhe 250 V

Ndryshimet e funksionimit të aparatit elektrik shkaktojnë lëkundje tensioni. Funksionimi i kësaj pajisjeje në kushte jo të favorshme të rrjetit elektrik mund të shkaktojë pasoja negative në funksionimin e pajisjeve të tjera. Me një rezistencë në rrjetin elektrik të barabartë ose më të vogël se 0,25 om mund të supozohet se nuk do të ketë pasoja negative. Priza e rrjetit elektrik që përdoret me këtë pajisje duhet të mbrohet nga një siguresë ose nga një ndërprerës qarku mbrojtës që çaktivizohet ngadalë.

### Zhurma

Niveli tipik i zhurmës A, i matur sipas EN62841-3-10:

#### Modeli M2402

Niveli i presionit të zhurmës ( $L_{pA}$ ): 98 dB (A)

Niveli i fuqisë së zhurmës ( $L_{WA}$ ): 108 dB (A)

Pasiguria (K): 3,0 dB (A)

#### Modeli M2403

Niveli i presionit të zhurmës ( $L_{pA}$ ): 99 dB (A)

Niveli i fuqisë së zhurmës ( $L_{WA}$ ): 109 dB (A)

Pasiguria (K): 3,0 dB (A)

**SHËNIM:** Vlerat e deklaruar totale të emetimeve të zhurmës janë matur sipas një metode standarde testimi dhe mund të përdoren për të krahasuar një vegël me një tjetër.

**SHËNIM:** Vlerat e deklaruar të emetimeve të zhurmës mund të përdoren për një vlerësim paraprak të ekspozimit.

**▲ PARALAJMËRIM:** Mbani mbrojtëse për veshët.

**▲ PARALAJMËRIM:** Emetimet e zhurmës gjatë përdorimit aktual të veglës elektrike mund të ndryshojnë nga vlerat e deklaruara në varësi të mënyrave sesi përdoret vegla, veçanërisht nga lloji i materialit të punës që përdoret.

**▲ PARALAJMËRIM:** Vërtetoni që masat e sigurisë për mbrojtjen e përdoruesit bazohen në vlerësimin e ekspozimit ndaj kushteve aktuale të përdorimit (duke marrë parasysh të gjitha pjesët e ciklit të funksionimit si ato kur pajisja është e fikur dhe punon pa prerë ashtu edhe kohën e përdorimit).

## Dridhja

Vlera totale e dridhjeve (shuma e vektorit me tre akse) përcaktohet sipas EN62841-3-10:

**Modeli M2402**

Emetimi i dridhjeve ( $a_{h1}$ ): 4,5 m/s<sup>2</sup>

Pasiguria (K): 1,5 m/s<sup>2</sup>

**Modeli M2403**

Emetimi i dridhjeve ( $a_{h1}$ ): 3,5 m/s<sup>2</sup>

Pasiguria (K): 1,5 m/s<sup>2</sup>

**SHËNIM:** Vlerat e deklaruara totale të dridhjeve janë matur sipas një metode standarde testimi dhe mund të përdoren për të krahasuar një vegël me një tjetër.

**SHËNIM:** Vlerat e deklaruara totale të dridhjeve mund të përdoren për një vlerësim paraprak të ekspozimit.

**▲ PARALAJMËRIM:** Emetimet e dridhjeve gjatë përdorimit aktual të veglës elektrike mund të ndryshojnë nga vlerat e deklaruara në varësi të mënyrave sesi përdoret vegla, veçanërisht nga lloji i materialit të punës që përdoret.

**▲ PARALAJMËRIM:** Vërtetoni që masat e sigurisë për mbrojtjen e përdoruesit bazohen në vlerësimin e ekspozimit ndaj kushteve aktuale të përdorimit (duke marrë parasysh të gjitha pjesët e ciklit të funksionimit si ato kur pajisja është e fikur dhe punon pa prerë ashtu edhe kohën e përdorimit).

## Deklarata e konformitetit me KE-në

*Vetëm për shtetet evropiane*

Deklarata e konformitetit me KE-në përfshihet si Shtojca A në këtë manual përdorimi.

## PARALAJMËRIME SIGURIE

### Paralajmërimet e përgjithshme për sigurinë e veglës

**▲ PARALAJMËRIM:** Lexoni të gjitha paralajmërimet për sigurinë, udhëzimet, ilustrimet dhe specifikimet e dhëna me këtë vegël elektrike. Mosndjekja e të gjitha udhëzimeve të renditura më poshtë mund të shkaktojë goditje elektrike, zjarr dhe/ose lëndim të rëndë.

## Ruajini të gjitha paralajmërimet dhe udhëzimet për të ardhmen.

Termi “vegël elektrike” në paralajmërimet e referohet veglës elektrike që përdoret e lidhur në prizë (me kordon) ose veglës së përdorur me bateri (pa kordon).

### Paralajmërimet e sigurisë për makinerinë prerëse

- Qëndroni bashkë me personat e tjerë larg planit të diskut prerëse.** Mbrojtësja ndihmon në mbrojtjen e përdoruesit nga copëzat e thyera të diskut dhe nga kontakti aksidental me të.
- Përdorni vetëm disqe prerëse të përforcuara të cilat janë të ngjitura me veglën tuaj elektrike.** Fakti që një aksesor mund të montohet në veglën tuaj elektrike, nuk garanton një funksionim të sigurt.
- Shpejtësia e matur e aksesorit duhet të jetë minimalisht e barabartë me shpejtësinë maksimale të taktuar në veglën elektrike.** Aksesorët që e kalojnë shpejtësinë e matur mund të thyhen dhe të ndahen në copa.
- Disqet duhet të përdoren vetëm për aplikacionet e rekomanduara. Për shembull: mos smeriloni me anën e një disku prerës.** Disqet abrazive prerëse janë synuar për smerilim anësor, forcat anësore të ushtruara mbi këto disqe mund të shkaktojnë thyerjen e tyre.
- Gjithmonë përdorni flaxha disku të padëmtuara që përputhen me diametrin e diskut të zgjedhur.** Flanxhat e përshtatshme të disqeve mbështesin diskut duke reduktuar mundësinë e thyerjes së tij.
- Diametri i jashtëm dhe trashësia e aksesorit tuaj duhet të jetë brenda kapacitetit të matur të veglës elektrike.** Aksesorët me përmasa të gabuara nuk mund të mbrohen ose të kontrollohen siç duhet.
- Madësia e grupit të disqeve dhe të flanxhave duhet të përputhet me aksin e veglës elektrike.** Disqet dhe flanxhat që kanë vrima në boshte që nuk përputhen me pjesën tjetër të veglës elektrike do të humbasin ekuilibrin, do të lëkundin jashtë mase dhe mund të shkaktojnë humbjen e kontrollit.
- Mos përdorni disqe të dëmtuara. Përpara çdo përdorimi, kontrolloni disqet për ciflosje dhe krisje.** Nëse vegla elektrike ose disku ju bie, kontrolloni për dëmtime ose instaloni një disk të padëmtuar. Pas inspektimit dhe instalimit të diskut, qëndroni bashkë me personat e tjerë larg planit të rotullimit të diskut dhe lëreni veglën elektrike të punojë me shpejtësi maksimale pa ngarkesë për një minutë. Disqet e dëmtuar zakonisht do të shpëputen nga vegla gjatë këtij testi.
- Mbani pajisje mbrojtëse personale. Në varësi të përdorimit, përdorni mbrojtëse për fytyrën ose syze sigurie të mëdha ose të vogla.** Sipas rastit, mbani maskë kundër pluhurit, mbrojtëse për dëgjimin, doreza dhe përparëse mbrojtëse që mund të ndalojnë copëzat abrazive ose të materialit të punës. Mbrojtësja e syve duhet të ketë aftësi të ndalojë copat fluturuese që prodhohen nga veprimet e ndryshme. Maska kundër pluhurit ose respiratori duhet të jenë në gjendje të filtrojnë grimcat e prodhuara nga funksionimi i pajisjes. Ekspozimi për një kohë të gjatë ndaj zhurmave të forta mund të shkaktojë humbjen e dëgjimit.

10. **Mos i lejoni personat të afrohen në zonën e punës. Kushdo që hyn në zonën e punës duhet të mbajë veshur mjetet mbrojtëse personale.** Copëzat e materialit të punës ose të një disku të thyer mund të fluturojnë larg dhe të shkaktojnë dëmtime përtej zonës ku punohet.
11. **Vendosni kordonin larg aksesorit rrotullues.** Nëse humbini kontrollin, kordonin mund të pritret ose të ngatërrohet dhe dora ose krahu juaj mund të shkojnë drejt diskut rrotullues.
12. **Pastroni rregullisht vrimat e ajrosjes së veglës elektrike.** Ventilatori i motorit mund ta tërheqë pluhurin brenda folesë dhe akumulimi i tepërt i pluhurit të metalit mund të shkaktojë rreziqe elektrike.
13. **Mos e përdorni veglën elektrike pranë materialeve të ndezshme. Mos e përdorni veglën elektrike ndërsa e vendosni në një sipërfaqe të ndezshme siç është druri.** Shkëndijat mund t'i ndezin këto materiale.
14. **Mos përdorni aksesorë që kërkojnë ftohës të lëngshëm.** Përdorimi i ujit ose i ftohësve të tjerë të lëngshëm mund të rezultojnë në goditje ose në goditje elektrike.

**Kundërveprimi dhe paralajmërimet lidhur me të**  
Zmbrapsja është një reagim i shpejtë që ndodh kur disku rrotullues bllokohet ose ngec. Bllokimi ose ngecja shkaktojnë ndalesë të menjëhershme të diskut rrotullues, i cili si pasojë bën që njësia prerëse e pakontrolluar të shtyhet lart në drejtimin të operatorit. Për shembull, nëse disku abrazive ngec ose bllokohet nga materiali i punës, tehu i diskut që hyn në vendin e bllokimit mund të godasë sipërfaqen e materialit duke shkakuar daljen ose kërcimin e diskut nga vendi. Disqet abrazive mund të thyhen në të tilla kushte. Kundërveprimi është rezultat i keqpërdorimit të veglës elektrike dhe/ose procedurave ose kushteve të pasakta të përdorimit dhe mund të shmanget duke marrë masat e mëposhtme parandaluese.

1. **Mbajeni veglën elektrike fort dhe vendosni trupin dhe krahun në mënyrë që të pengoni forcat kundërvepruese.** Përdoruesi mund të kontrollojë forcat kundërvepruese me drejtim lart, nëse merren masa parandaluese.
2. **Mos e mbani trupin në një vijë me diskutun prerës.** Nëse ndodh goditje kundërvepruese, ajo do ta shtyjë njësinë prerëse lart drejt operatorit.
3. **Mos montoni zinxhir sharre, disk për prerjen e druve, disk të segmentuar diamanti me hapësirë anësore më të madhe se 10 mm ose teh sharre të dhëmbëzuar.** Disqe të tilla krijojnë kundërveprime të shpeshta dhe humbje të kontrollit.
4. **Mos e "bllokoni" diskutun ose mos aplikoni presion të tepërt mbi të.** Mos provoni të kryeni prerje të thella. Ushtrimi i forcës së tepërt mbi disk rrit ngarkesën dhe ndjeshmërinë ndaj përdredhjeve ose kapjes së diskut gjatë prerjes dhe mundësinë e kundërveprimit ose të thyerjes së diskut.
5. **Kur disku kapet ose kur ndërprisni prerjen për çdo lloj arsyeje, fikeni veglën elektrike dhe mbajeni njësinë prerëse pa lëvizur derisa disku të ndalojë plotësisht.** Mos provoni asnjëherë ta tërhiqni diskutun nga procesi i prerjes kur disku është duke lëvizur, përndryshe mund të ndodhë kundërveprim. Hetoni dhe ndërmerrni veprime korrigjuese për të eliminuar ngecjen e diskut.

6. **Mos e rifilloni procesin e prerjes në materialin e punës.** Lejoni diskutun të arrijë shpejtësinë maksimale dhe futeni sërish me kujdes te vendi i prerjes. Disku mund të kapet, të shkojë lart ose të kundërveprojë nëse vegla elektrike rindizet brenda materialit të punës.
7. **Mbështetni çdo material pune të madh për të minimizuar rrezikun e bllokimit dhe të kundërveprimit të diskut.** Materialet e mëdha të punës kanë tendencë të përkulen nga pesha e tyre. Mbështetëset duhet të vendosen poshtë materialit të punës pranë vijës së prerjes dhe buzës së materialit të punës nga të dyja anët e diskut.

#### Paralajmërimet shtesë mbi sigurinë

1. **Gjatë punës, bëni kujdes nga shkëndijat që përhapen.** Ato mund të shkaktojnë lëndim ose mund të ndezin materiale të djegshme.
2. **Siguroni materialin e punës. Përdorni kapëse ose një mandrino shtërnguese për të mbajtur materialin e punës kur kjo është praktike.** Është më e sigurt sesa të përdorni dorën dhe i liron të dyja duart për të përdorur veglën.
3. **Siguroni me kujdes diskutun prerës.**
4. **Bëni kujdes që të mos dëmtoni boshtin, flanaxhat (veçanërisht sipërfaqen e vendosjes) ose bulonin, përndryshe disku prerës mund të thyhet.**
5. **Mbajini mbrojtëset të vendosura dhe në gjendje pune.**
6. **Mbajeni dorezën fort.**
7. **Mbajini duart larg pjesëve rrotulluese.**
8. **Sigurohuni që disku prerës të mos e prekë materialin e punës përpara se të ndizet çelësi.**
9. **Përpara secilit përdorim, tregoni kujdes për lëkundje ose dridhje të tepërta që mund të shkaktohen nga instalimi i pasaktë ose nga disku i paekuilibruar mirë.**
10. **Hiqini nga zona materialet ose mbetjet që mund të ndizen nga shkëndijat.** Sigurohuni që personat e tjerë të mos qëndrojnë pranë shkëndijave. Mbani në dispozicion një fikës zjarri të përshtatshëm dhe të mbushur.
11. **Nëse disku prerës ndalon gjatë punës, nëse bën një zhurmë të çuditshme ose fillon të dridhet, fikeni veglën menjëherë.**
12. **Fikeni gjithmonë dhe prisni derisa disku prerës të ndalojë plotësisht përpara se të hiqni ose të siguroni materialin e punës, të punoni me morskën, të ndryshoni pozicionin ose këndin e punës ose të ndërtoni diskutun prerës.**
13. **Mos e prekni materialin menjëherë pas punës; ai është shumë i nxehtë dhe mund t'ju djegë lëkurën.**
14. **Ruajini disqet vetëm në vende të thata.**

## RUAJINI KËTO UDHËZIME.

### INSTALIMI

**▲PARALAJMËRIM:** Kjo vegël prodhon shkëndija gjatë prerjes së materialit të punës. Mos e instaloni këtë vegël në vende ku mund të ndizen lëndë të djegshme dhe/ose shpërthyes nga vegla. Gjithashtu sigurohuni që të mos ketë materiale të tilla pranë veglës përpara punës.

## Sigurimi i bazës

Vegla duhet të mbërthehet me dy bulona në një sipërfaqe të niveluar dhe të qëndrueshme, duke përdorur vrimat e bulonave që gjenden në bazën e veglës. Kjo parandalon përbysjen dhe lëndimin e mundshëm personal.

► Fig.1: 1. Vrimat e bulonave 2. Baza

## PËRSHKRIMI I PUNËS

**▲KUJDES:** Sigurohuni gjithmonë që vegla është fikur dhe hequr nga korrenti përpara se ta rregulloni apo t'i kontrolloni funksionet.

## Zhbllokimi/bllokimi i kokës së veglës

Koka e veglës mund të bllokohet.

Kur e përdorni, hiqeni zinxhirin e bllokimit nga grepi. Kur nuk është në përdorim ose gjatë transportimit, gjithmonë vendoseni zinxhirin e bllokimit të grepi.

### M2402

► Fig.2: 1. Grepi 2. Zinxhiri i bllokimit

### M2403

► Fig.3: 1. Grepi 2. Zinxhiri i bllokimit

## Veprimi i ndërrimit

**▲PARALAJMËRIM:** Përpara se ta vendosni veglën në korrent, kontrolloni gjithmonë nëse këmbëza e çelësit është në pozicionin e duhur dhe nëse kthehet në pozicionin "FIKUR" kur lëshohet.

### M2402

► Fig.4: 1. Butoni i bllokimit/zhbllokimit 2. Këmbëza e çelësit

### M2403

► Fig.5: 1. Butoni i bllokimit/zhbllokimit 2. Këmbëza e çelësit

## Për veglat me buton bllokimi

**▲KUJDES:** Çelësi mund të bllokohet në pozicionin "NDEZUR" për lehtësi të përdoruesit gjatë përdorimit të zgjatur. Bëni kujdes kur bllokoni veglën në pozicionin "NDEZUR" dhe shtrengojeni mirë veglën.

Për ta ndezur veglën, thjesht tërhiqni këmbëzën e çelësit. Lëshoni këmbëzën e çelësit për ta fikur. Për punë të vazhdueshme, tërhiqni këmbëzën e çelësit dhe shtyni brenda butonin e bllokimit dhe më pas lëshoni këmbëzën e çelësit. Për ta hequr veglën nga pozicioni i bllokimit, tërhiqni plotësisht këmbëzën dhe pastaj lëshojeni.

## Për veglat me buton zhbllokimi

**▲PARALAJMËRIM:** Mos e shtyni KURRË me forcë butonin e zhbllokimit duke e goditur ose në ndonjë mënyrë tjetër. Një çelës me një buton zhbllokimi të sforcuar mund të çojë në ndezje të paqëllimshme dhe lëndime personale të rënda.

**▲PARALAJMËRIM:** ASNJËHERË mos e përdorni veglën nëse ndizet kur thjesht tërhiqni këmbëzën e çelësit, pa shtypur butonin e bllokimit. Një çelës që ka nevojë të riparohet mund të çojë në ndezje të paqëllimshme dhe lëndime personale të rënda. Çojeni veglën në qendrën e shërbimit të Makita-s për riparimet e duhura PËRPARA përdorimit të mëtejshëm.

Për të shmangur tërheqjen aksidentale të këmbëzës së çelësit, vegla është pajisur me një buton zhbllokimi. Për ta ndezur veglën shtyni brenda butonin e zhbllokimit dhe tërhiqni këmbëzën e çelësit. Lëshoni këmbëzën e çelësit për ta fikur.

**VINI RE:** Mos e tërhiqni fort këmbëzën e çelësit pa shtypur butonin e zhbllokimit. Kjo mund të shkaktojë thyerjen e çelësit.

## Intervali midis morskës dhe pllakës udhëzuese

**▲KUJDES:** Pas rregullimit të intervalit mes morskës dhe pllakës udhëzuese, sigurohuni që pllaka udhëzuese të jetë e siguruar mirë. Rregullimi i pamjaftueshëm mund të rezultojë në lëndime personale.

**▲KUJDES:** Mbani mend që materialet e ngushta mund të mos fiksohen në mënyrë të sigurt gjatë përdorimit të dy cilësimeve më të gjera të intervaleve.

Disponohen parametret e mëposhtëm të intervalit të morskës:

- 0 - 170 mm (0" - 6-11/16") (parametri origjinal)
- 35 - 205 mm (1-3/8" - 8-1/16")
- 70 - 240 mm (2-3/4" - 9-7/16")

Nëse për punën nevojitet parametër i ndryshëm, veproni si më poshtë për ta ndryshuar atë.

Hiqni dy bulonat heksagonale me anë të një çelësi heksagonal. Lëvizeni pllakën udhëzuese në pozicionin e dëshiruar dhe sigurojeni me bulonat heksagonale.

► Fig.6: 1. Çelësi heksagonal 2. Pllaka udhëzuese 3. Bulonat heksagonale

## Rregullimi i këndit të prerjes

**▲KUJDES:** Pas rregullimit të këndit të pllakës udhëzuese, sigurohuni që pllaka udhëzuese të jetë e siguruar mirë. Rregullimi i pamjaftueshëm mund të rezultojë në lëndime personale.

**▲KUJDES:** Kur kryeni prerje me kënd të drejtë me veglën me pllakë ndaluese, vendosni gjithmonë pllakën udhëzuese në pozicionin 0 - 170 mm (0" - 6-11/16"). Vendosja në pozicionin 35 - 205 mm (1-3/8" - 8-1/16") ose 70 - 240 mm (2-3/4" - 9-7/16") pengon lëvizjen e pllakës ndaluese, që rezulton në dështim në prerje.

**▲KUJDES:** Mos e përdorni veglën kur materiali nuk është i siguruar mirë me morskën për shkak të këndit të prerjes.

Lironi dy bulonat hegzagonalë me anë të një çelësi hegzagonal. Lëvizni pllakën udhëzuese në këndin e dëshiruar dhe sigurojeni me bulonat hegzagonalë. Sigurohuni të mos e lëvizni këndin e vendosur gjatë sigurimit të bulonave hegzagonalë.

► **Fig.7:** 1. Pllaka udhëzuese 2. Bulonat hegzagonalë

**SHËNIM:** Shkalla në pllakën udhëzuese është thjesht tregues i përafërt. Për kënd më të saktë, përdorni një raportor ose një vizore trekëndore. Mbajeni dorezën poshtë në mënyrë që disku prerës të futet në bazë. Në të njëjtën kohë rregullojeni këndin midis pllakës udhëzuese dhe diskut prerës me një raportor ose vizore trekëndore.

## Rregullimi i mbrojtëses për shkëndijat

Mbrojtësja për shkëndijat është vendosur në fabrikë me anën e poshtme që prek bazën. Përdorimi i veglës në këtë pozicion shkakton përhapjen e shumë shkëndijave. Lironi vidën dhe rregullojeni mbrojtësen për shkëndijat në pozicionin ku përhapen sa më pak shkëndija. Lloji e mbrojtëses për shkëndijat ndryshon nga njëri shtet në tjetrin.

► **Fig.8:** 1. Vida 2. Mbrojtësja për shkëndijat

## Pllaka ndaluese

### Sipas shtetit

Pllaka ndaluese pengon që disku prerës të kontaktojë me tavolinën e punës ose dyshtemenë. Kur instalohet një disk i ri prerës, vendoseni pllakën e ndaluesit në pozicionin (A). Kur disku prerës konsumohet deri në atë shkallë sa pjesa e poshtme e materialit të punës lihet e paprerë, vendoseni pllakën e ndaluesit në pozicionin (B) për të lejuar rritjen e kapacitetit prerës me një disk të konsumuar.

► **Fig.9:** 1. Pllaka ndaluese

## MONTIMI

**▲KUJDES:** Jini gjithnjë të sigurt që vegla është fikur dhe hequr nga korrenti përpara se të bëni ndonjë punë mbi të.

## Hapja e mbrojtëses së sigurisë

### Hapja e mbrojtëses së sigurisë të llojit me kapak të përparmë

Ngrini mbrojtësen e sigurisë me dorë.

► **Fig.10:** 1. Mbrojtësja e sigurisë

### Hapja e mbrojtëses së sigurisë të llojit me kapak qendror

Lironi në fillim vidën e mbërthimit, më pas ngrini mbrojtësen.

► **Fig.11:** 1. Vida e mbërthimit

## Heqja ose instalimi i diskut prerës

**▲KUJDES:** Sigurohuni që ta shtrëngoni mirë bulonin hegzagonal. Shtrëngimi i pamjaftueshëm mund të rezultojë në lëndime të rënda. Kur shtrëngoni bulonin hegzagonal, përdorni çelësin hegzagonal që jepet me veglën për të siguruar shtrëngimin e duhur.

**▲KUJDES:** Përdorni gjithmonë vetëm flanaxhat e përshtatshme të jashtme dhe të brendshme që jepen me veglën.

**▲KUJDES:** Uleni gjithmonë mbrojtësen e sigurisë pas ndërrimit të diskut.

**▲KUJDES:** Mbani veshur doreza kur punoni me disqet.

Ngrini mbrojtësen e sigurisë. Rrotulloni bulonin hegzagonal në drejtim të kundërt të akrepave të orës duke përdorur një çelës hegzagonal gjatë kohës që mbani shtypur bllokimin e boshtit. Më pas, hiqni bulonin hegzagonal, guarnicionin, flanaxhën e jashtme dhe diskutin.

► **Fig.12:** 1. Bllokuesi i boshtit 2. Buloni hegzagonal

► **Fig.13:** 1. Flanaxha e brendshme 2. Unaza 3. Unaza hermetike 4. Disku prerës i përforcuar (disku prerës smerilues) 5. Flanaxha e jashtme 6. Rondela 7. Buloni hegzagonal

Për të instaluar diskutin, ndiqni procedurën e anasjellë të heqjes. Sigurohuni të fusni diskutin prerës në unazë dhe të ktheni mbrojtësen e sigurisë.

## Ruajtja e çelësit hegzagonal

Kur nuk e keni në përdorim, çelësin hegzagonal ruajeni siç tregohet në figurë që mos t'ju humbë.

**M2402**

► **Fig.14:** 1. Çelësi fiso hegzagonal

**M2403**

► **Fig.15:** 1. Çelësi fiso hegzagonal

## PËRDORIMI

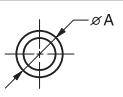
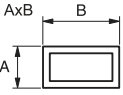
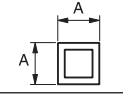

**▲KUJDES:** Forca e duhur shtytëse e dorezës gjatë prerjes dhe efikasiteti maksimal i prerjes mund të përcaktohen nga sasia e shkëndijave që prodhohen gjatë prerjes. Mos e sforconi prerjen duke ushtruar forcë të tepërt mbi dorezë. Mund të shkaktohet efikasiteti i reduktuar prerjeje, konsumim i parakohshëm i diskut, si edhe dëmtim i mundshëm i veglës, diskut prerës ose materialit.

Mbajeni dorezën fort. Ndizni veglën dhe prisni derisa disku prerës të marrë shpejtësi të plotë përpara se ta ulni ngadalë për prerjen. Pasi disku prerës të prekë materialin, shtyni gradualisht dorezën për të kryer prerjen. Pas përfundimit të prerjes, fikni veglën dhe prisni derisa disku prerës të ketë ndaluar plotësisht përpara se ta ktheni dorezën në pozicion plotësisht të ngritur.

## Aftësia prerëse

Kapaciteti maksimal i prerjes ndryshon në varësi të këndit të prerjes dhe formës së materialit.

### Kapaciteti maksimal i prerjes me disk të ri prerës

Këndi i prerjes / Forma e materialit të punës	90°	45°
	127 mm (5")	127 mm (5")
	102 x 194 mm (4" x 7-5/8") 70 x 233 mm (2-3/4" x 9-1/8")	115 x 103 mm (4-1/2" x 4-1/16")
	119 x 119 mm (4-11/16" x 4-11/16")	106 x 106 mm (4-3/16" x 4-3/16")
	137 x 137 x 10 mm (5-3/8" x 5-3/8" x 3/8")	100 x 100 x 10 mm (4" x 4" x 3/8")

## Sigurimi i materialit

**▲KUJDES:** Gjithmonë vendoseni mbajtësin me filetim në filetimet e boshtit kur siguronit materialin e punës. Në të kundërt, mund të shkaktohet sigurim i pamjaftueshëm i materialit të punës. Kjo mund të shkaktojë dalje me vrull të materialit të punës ose thyerje të rrezikshme të diskut prerës.

Gjatë kohës që ngrihet mbajtësi me filetim, pllaka udhëzuese mund të lëvizet brenda dhe jashtë me shpejtësi. Për të mbajtur një material pune, shtyni dorezën derisa pllaka e morsës të prekë materialin e punës, më pas ktheni mbajtësen me filetim. Rrotullojeni dorezën në drejtim të akrepave të orës derisa materiali i punës të mbahet mirë.

► **Fig.16:** 1. Doreza 2. Mbajtësja me filetim 3. Pllaka e morsës

Pasi disku prerës të jetë konsumuar shumë, vendosni një bllok distancatori prapa materialit të punës siç tregohet në figurë. Diskun e konsumuar mund ta përdorni me më shumë efikasitet duke përdorur pikën qendrore në skaj të diskut për të prerë materialin. Përdorni një material të fortë dhe rezistent ndaj zjarrit si bllok distancatori.

► **Fig.17:** 1. Blloku i distancatorit

Gjatë prerjes me kënd të materialeve me gjerësi mbi 85 mm (3-3/8"), montoni një copë të drejtë druri (distancator) mbi 190 mm (7-1/2") të gjatë x 45 mm (1-3/4") të gjerë te pllaka udhëzuese, siç tregohet në figurë. Montojeni distancatorin me vida te vrimat në pllakën udhëzuese. Sigurohuni që disku prerës të mos ketë kontakt me distancatorin kur koka e veglës të shtypet.

► **Fig.18:** 1. Pllaka udhëzuese 2. Blloku i distancatorit mbi 190 mm (7-1/2") i gjatë x 45 mm (1-3/4") i gjerë 3. Materiali i punës mbi 85 mm (3-3/8") i gjerë 4. Pllaka e morsës

► **Fig.19**

Pasi disku prerës të jetë konsumuar, ngrihi pozicionin e prerjes duke vendosur një bllok distancatori që është paksa më i ngushtë se materiali i punës siç tregohet në figurë. Kjo do t'ju ndihmojë ta përdorni diskun prerës në mënyrë ekonomike.

► **Fig.20:** 1. Pllaka e morsës 2. Diametri i materialit të punës 3. Pllaka udhëzuese 4. Gjerësia e bllokut të distancatorit

Materialet e gjata duhet të mbështeten nga secila anë mbi blloqe në mënyrë që të jenë në një nivel me pjesën e sipërme të bazës. Përdorni materiale rezistente ndaj zjarrit për blloqet mbështetëse.

► **Fig.21:** 1. Blloku mbështetës

## Transportimi i veglës

Paloseni kokën e veglës dhe bllokojeni. Paloseni dorezën kur e transportoni.

**M2402**

► **Fig.22**

**M2403**

► **Fig.23**

## MIRËMBAJTJA

**▲KUJDES:** Sigurohuni gjithnjë që vegla të jetë fikur dhe të jetë hequr nga korrenti përpara se të kryeni inspektimin apo mirëmbajtjen.

**VINI RE:** Mos përdorni kurrë benzinë, benzinë pastrimi, hollues, alkoool dhe të ngjashme. Mund të shkaktoni çngjyrosje, deformime ose krisje.

Për të ruajtur SIGURINË dhe QËNDRUESHMËRINË, riparimet dhe çdo mirëmbajtje apo rregullim tjetër duhen kryer nga qendrat e autorizuara të shërbimit ose të shërbimit të fabrikës të Makita-s, duke përdorur gjithnjë pjesë këmbimi të Makita-s.

## Zëvendësimi i karbonçinave

► **Fig.24:** 1. Shenja e kufizimit

Kontrollojeni rregullisht karbonçinat.

Zëvendësojini ato kur të konsumohen deri në shenjen e kufizimit. Mbajini karbonçinat të pastra dhe që të hyjnë lirish në mbajtëset e tyre. Të dyja karbonçinat duhen zëvendësuar në të njëjtën kohë. Përdorni vetëm karbonçina identike.

1. Përdorni kaçavidë për të hequr kapakët e mbajtëseve të furçave.

2. Hiqni karbonçinat e konsumuara, futni të rejat dhe siguronit kapakët e mbajtëseve të karbonçinave.

► **Fig.25:** 1. Kapaku i karbonçinës

## СПЕЦИФИКАЦИИ

Модел:		M2402	M2403
Диаметър на диска		355 мм	
Макс. дебелина на диска		3 мм	
Диаметър на отвора		25,4 мм	
Обороти на празен ход		3 800 мин <sup>-1</sup> или 3 900 мин <sup>-1</sup> Оборотите на празен ход може да са различни в различните държави. Вижте фабричната табелка на инструмента.	
Размери (Д x Ш x В)	Модел с предпазител от тип преден капак + височина на основата 97,0 мм	500 мм x 280 мм x 630 мм	515 мм x 280 мм x 640 мм
	Модел с предпазител от тип преден капак + височина на основата 77,0 мм	490 мм x 280 мм x 610 мм	500 мм x 280 мм x 620 мм
	Модел с предпазител от тип с централна капачка	490 мм x 280 мм x 610 мм	500 мм x 280 мм x 620 мм
Нетно тегло	Модел с предпазител от тип преден капак + височина на основата 97,0 мм	15,5 кг	15,3 кг
	Модел с предпазител от тип преден капак + височина на основата 77,0 мм	14,5 кг	14,3 кг
	Модел с предпазител от тип с централна капачка	14,0 кг	13,8 кг
Клас на безопасност		II	

- Поради нашата непрекъсната научно-развойна дейност посочените тук спецификации могат да бъдат променени без предизвестие.
- Спецификациите може да са различни в различните държави.
- Тегло съгласно метода EPTA 01/2014

### Предназначение

Този инструмент е предназначен за рязане на черни метали с помощта на абразивен диск за рязане. Спазвайте всички закони и разпоредби във вашата страна относно работа при запрашени условия и здравословните и безопасни условия на труд във вашата страна.

### Захранване

Инструментът трябва да се включва само към захранване със същото напрежение, като посоченото на фирмената табелка и работи само с монофазно променливо напрежение. Той е с двойна изолация и затова може да се включва и в контакти без заземяване.

### За обществени електроразпределителни мрежи с ниско напрежение от 220 V до 250 V

Включването и изключването на електрически уреди води до колебания на напрежението. Използването на този инструмент с неподходящо електрическо захранване може да има неблагоприятно влияние върху работата на други уреди. Може да се приеме, че ако импедансът на електрическата мрежа е равен или по-малък от 0,25 ома, няма да има отрицателно влияние. Контактът, в който се включва този инструмент, трябва да бъде защитен с предпазител или предпазен автоматичен изключвател с ниска граница на задействане.

### Шум

Обичайното ниво на шума с тегловен коефициент A, определено съгласно EN62841-3-10:

#### Модел M2402

Ниво на звуково налягане ( $L_{pA}$ ): 98 dB(A)

Ниво на звукова мощност ( $L_{WA}$ ): 108 dB(A)

Коефициент на неопределеност (K): 3,0 dB(A)

#### Модел M2403

Ниво на звуково налягане ( $L_{pA}$ ): 99 dB(A)

Ниво на звукова мощност ( $L_{WA}$ ): 109 dB(A)

Коефициент на неопределеност (K): 3,0 dB(A)



**ЗАБЕЛЕЖКА:** Обявената(ите) стойност(и) на шумовите емисии е(са) измерена(и) в съответствие със стандартни методи за изпитване и може да се използва(т) за сравняване на инструменти.

**ЗАБЕЛЕЖКА:** Обявеното(ите) стойност(и) на шумови емисии може да се използва(т) също и за предварителна оценка на вредното въздействие.

**▲ ПРЕДУПРЕЖДЕНИЕ:** Използвайте предпазни средства за слуха.

**▲ ПРЕДУПРЕЖДЕНИЕ:** Нивото на шума при работа с електрическия инструмент може да се различава от обявената(ите) стойност(и) в зависимост от начина на използване на инструмента, по-специално какъв детайл се обработва.

**▲ ПРЕДУПРЕЖДЕНИЕ:** Задължително определете предпазни мерки за защита на оператора въз основа на оценка на риска в реални работни условия (като се вземат предвид всички етапи на работния цикъл, като например момента на изключване на инструмента, работата на празен ход, както и времето на задействане).

## Вибрации

Общата стойност на вибрациите (сума от три осови вектора), определена съгласно EN62841-3-10:

**Модел M2402**

Ниво на вибрациите ( $a_h$ ): 4,5 м/с<sup>2</sup>

Коефициент на неопределеност (K): 1,5 м/с<sup>2</sup>

**Модел M2403**

Ниво на вибрациите ( $a_h$ ): 3,5 м/с<sup>2</sup>

Коефициент на неопределеност (K): 1,5 м/с<sup>2</sup>

**ЗАБЕЛЕЖКА:** Обявената(ите) обща(и) стойност(и) на вибрациите е(са) измерена(и) в съответствие със стандартни методи за изпитване и може да се използва(т) за сравняване на инструменти.

**ЗАБЕЛЕЖКА:** Обявената(ите) обща(и) стойност(и) на вибрациите може да се използва(т) също и за предварителна оценка на вредното въздействие.

**▲ ПРЕДУПРЕЖДЕНИЕ:** Нивото на вибрациите при работа с електрическия инструмент може да се различава от обявената(ите) стойност(и) в зависимост от начина на използване на инструмента, по-специално какъв детайл се обработва.

**▲ ПРЕДУПРЕЖДЕНИЕ:** Задължително определете предпазни мерки за защита на оператора въз основа на оценка на риска в реални работни условия (като се вземат предвид всички етапи на работния цикъл, като например момента на изключване на инструмента, работата на празен ход, както и времето на задействане).

## ЕО декларация за съответствие

*Само за европейските страни*

ЕО декларацията за съответствие е включена като Анекс А към тази инструкция за употреба.

# ПРЕДУПРЕЖДЕНИЯ ЗА БЕЗОПАСНОСТ

## Общи предупреждения за безопасност при работа с електрически инструменти

**▲ ПРЕДУПРЕЖДЕНИЕ:** Прочетете всички предупреждения, инструкции, илюстрации и спецификации за безопасността, предоставени с този електрически инструмент. При неспазване на изброените по-долу инструкции има опасност от токов удар, пожар и/или тежко нараняване.

## Запазете всички предупреждения и инструкции за справка в бъдеще.

Терминът "електрически инструмент" в предупрежденията се отнася за вашия инструмент (с кабел за включване в мрежата) или работещ на батерии (безжичен) електрически инструмент.

## Предупреждения за безопасност при рязане с машината

1. Не се приближавайте и не допускате да има други хора близо до въртящия се диск. Предпазителят спомога за защитаването на оператора от парчета при счупване на диска и случайно допиране до диска.
2. Използвайте само метализирани подсилени дискове за рязане, предназначени за вашия електрически инструмент. Това, че дадени аксесоари могат да бъдат закрепени към инструмента, не гарантира безопасната му работа.
3. Номиналната скорост на принадлежностите трябва да е най-малко равна на максималната скорост, означена на инструмента. Принадлежностите, които се въртят със скорост, по-висока от номиналната, могат да се счупят и да се разлетят на парчета.
4. Диското трябва да се използва само за тези приложения, за които са предназначени. Например: не трябва да се шлифова с плоската страна на диск за рязане. Абразивните дискове за рязане са предназначени за периферно шлифване и прилагането на странично действащи сили може да доведе до счупването им на парчета.
5. Използвайте само закрепващи фланци без повреди и с точния диаметър за избрания диск. Правилните закрепващи фланци на диска осигуряват опора на диска и така намаляват опасността от счупване на диска.
6. Външният диаметър и дебелината на вашите принадлежности трябва да отговарят на номиналния капацитет на вашия електрически инструмент. Неправилно оразмерените принадлежности не могат да бъдат добре защитени или контролирани.
7. Размерът на монтажните отвори на дискотите и фланците трябва да съответства точно на шпиндела на инструмента. Дискоте и фланци, чиито монтажни отвори не отговарят на шпиндела на инструмента, се дебалансира, вибрират силно и могат да причинят загуба на контрол.

8. **Не използвайте повредени дискове. Преди всяко използване проверявайте за счупвания и пукнатини по диска. В случай на изпускане на инструмента или диска проверете за повреда или поставете диск, който не е повреден. След като огледате и поставите диска, застанете заедно с хората около вас встрани от равнината на въртящия се диск и включете инструмента на максимални обороти без натоварване в продължение на една минута. Ако дискът е повреден, той ще се счупи за времето на това изпитване.**
9. **Използвайте лични предпазни средства. В зависимост от вида на приложението използвайте маска за лице или предпазни очила. При необходимост използвайте маска за прах, антифони, ръкавици и работна престилка, които да могат да ви предпазят от малки абразивни частици или парченца от обработвания детайл. Предпазните средства за очите трябва да могат да спрат летящи отпадъци, създадени при различни операции. Маската за прах или дихателният апарат трябва да могат да филтрират частици, образувани по време на работа. Продължителното излагане на силен шум може да причини загуба на слуха.**
10. **Страничните лица трябва да стоят на безопасно разстояние от работната зона. Всеки, който влиза в работната зона, трябва да използва лични предпазни средства. Парчета от обработвания детайл или от счупен диск могат да изхвърчат и да причинят наранявания извън непосредствената зона на работа.**
11. **Дръжте захранващия кабел далеч от въртящата се принадлежност. Ако изгубите контрол, кабелът може да бъде прерязан или скъсан, а ръката ви може да бъде повлечена от въртящия се диск.**
12. **Редовно почиствайте вентилационните отвори на инструмента. Вентилаторът на двигателя може да засмуква прах в корпуса на инструмента, а натрупването на метален прах може да доведе до опасност от електрическа повреда.**
13. **Не използвайте електрическия инструмент в близост до леснозапалими материали. Не работете с електрически инструмент, докато е поставен върху запалими повърхност като дърво. Искрите могат да запалят тези материали.**
14. **Не използвайте принадлежности, за които се изисква течно охлаждане. Използването на вода или други течни охладители може да доведе до токов удар и дори до смърт.**

**Обратен удар и свързани с това предупреждения**  
 Обратният удар е внезапна реакция на прищипан или нащърбен въртящ се диск. Прищипването или нащърбването причиняват бързо спиране на въртящия се диск, което от своя страна води до завъртане на неконтролируемия режещ инструмент нагоре към оператора.  
 Например, ако абразивната шайба е нащърбена или прищипана от обработвания детайл, ръбът, който влиза в точката на прищипване, може да навлезе в повърхността на материала, от което шайбата да изскочи нагоре или да се получи обратен удар. В такава ситуация абразивната шайба може и да се счупи.

Обратният удар е следствие от неправилната употреба на електрическия инструмент и/или неспазване на реда и условията за работа и може да бъде избегнат при спазване на посочените по-долу предпазни мерки.

1. **Дръжте здраво инструмента и разположете тялото и ръката си така, че да можете да устоите на силите на обратния удар. Операторът може да овладее силите на отката нагоре, ако вземе подходящите предпазни мерки.**
2. **Не поставяйте тялото си на една линия с въртящия се диск. При възникването на обратен удар, режещият инструмент ще бъде изхвърлен нагоре към оператора.**
3. **Не закрепвайте верижен трион, нож за дърворезба или сегментиран диамантен диск с отстояние над 10 мм, или циркулярен диск със зъби. Такива дискове често водят до обратен удар и загуба на контрол.**
4. **Не "заклинвайте" диска и не упражнявайте прекален натиск. Не се опитвайте да режете прекалено дълбоко. Прекомерният натиск върху диска увеличава натоварването и вероятността за усукване или задиране на диска в прореза, както и тази за обратен удар или счупване на диска.**
5. **Ако дискът задере или прекъснете рязането по друга причина, изключете електрическия инструмент и го задръжте неподвижен, докато дискът спре да се върти окончателно. Не се опитвайте да извадите диска от прореза, докато все още се върти, защото това може да доведе до обратен удар. Огледайте мястото и вземете необходимите мерки, за да отстраните причината за задирането на диска.**
6. **Не подновявайте рязането, докато дискът е в допир с обработвания детайл. Изчакайте дискът да достигне пълни обороти и тогава внимателно го вкарайте в прореза. Дискът може да задере, да излезе или да доведе до обратен удар, ако инструментът бъде включен отново, докато е в допир с обработвания детайл.**
7. **Подпирайте обемисти детайли за обработване, за да сведете до минимум опасността от прищипване или обратен удар на диска. Големите обработвани детайли често се огъват под собствената си тежест. Подпорите се слагат под обработвания детайл близо до линията на рязане и близо до ръба на детайла, от двете страни на диска.**

#### **Допълнителни предупреждения за безопасност**

1. **По време на работа се пазете от летящи искри. Те могат да доведат до нараняване или да подпалят запалителни материали.**
2. **Осигурете безопасност при работа. Използвайте стяги или менгеме, за да закрепите обработвания детайл, когато това е приложимо. Това е по-безопасно от използване на ръцете и освен това освобождава и двете ръце за работа с инструмента.**
3. **Закрепете внимателно диска за рязане.**

4. Внимавайте да не повредите шпиндела, фланците (особено монтажните повърхности) и болта, в противен случай самият диск за рязане може да се счупи.
5. Дръжте предпазителите на мястото им и в изправност.
6. Хванете дръжката здраво.
7. Дръжте ръцете си далеч от въртящите се части.
8. Преди да включите инструмента, се уверете, че дискът за рязане не докосва детайла за обработване.
9. Преди всяко използване следете за трептения или прекомерни вибрации, които могат да бъдат причинени от лошо поставяне или неправилно балансиране на диска.
10. Отстранявайте материали или частици от работната зона, които могат да се запалят от искрите. Внимавайте да няма други хора по пътя на искрите. Дръжте на достъпно място надежден зареден пожарогасител.
11. Ако по време на работа дискът за рязане спре, започне да издава странен шум или да вибрира, незабавно изключете инструмента.
12. Винаги изключвайте и изчаквайте дискът за рязане да спре напълно, преди да изваждате или закрепвате детайла, да работите с менгемето, да промените работното положение или ъгъла или да сменяте самия диск за рязане.
13. Не докосвайте детайла непосредствено след обработка, защото той може да е много горещ и да изгори кожата ви.
14. Съхранявайте дисковете само на сухи места.

## ЗАПАЗЕТЕ НАСТОЯЩИТЕ ИНСТРУКЦИИ.

## МОНТАЖ

**▲ПРЕДУПРЕЖДЕНИЕ:** Този инструмент генерира искри по време на рязане на детайл. Не монтирайте инструмента на места, в които е възможно запалими и/или експлозивни материали да се възпламенят от искрите, генерирани при работа с инструмента. Преди започване на работа с инструмента се погрижете да няма в близост такива материали.

### Закрепване на основата

Този инструмент трябва да се закрепва с два болта върху равна и стабилна повърхност, като се използват отворите за болтове, предвидени на основата на инструмента. Това ще предотврати евентуалното преобръщане и възможни телесни наранявания.

► Фиг.1: 1. Отвори за болтове 2. Основа

## ОПИСАНИЕ НА ФУНКЦИТЕ

**▲ВНИМАНИЕ:** Винаги проверявайте дали инструментът е изключен от бутона и от контакта, преди да регулирате или проверявате функция на инструмента.

### Отключване/заклучване на работната глава на инструмента

Работната глава на инструмента може да бъде заключвана.

Когато използвате такава, откачете веригата за заключване от куката. Когато не се използва или пренасяте, винаги окачвайте веригата за заключване за куката.

M2402

► Фиг.2: 1. Кука 2. Верига за заключване

M2403

► Фиг.3: 1. Кука 2. Верига за заключване

### Включване

**▲ПРЕДУПРЕЖДЕНИЕ:** Преди да включите инструмента в контакта, винаги проверявайте дали пусковият прекъсвач работи нормално и се връща в положение "OFF" (ИЗКЛ.) при отпускането му.

M2402

► Фиг.4: 1. Бутон за блокиране/деблокиране  
2. Пусков прекъсвач

M2403

► Фиг.5: 1. Бутон за блокиране/деблокиране  
2. Пусков прекъсвач

### За инструмент с бутон за блокиране

**▲ВНИМАНИЕ:** Превключателят може да се заключва в положение "ON" (Вкл.) за удобство на оператора и комфорт при продължителна работа. Внимавайте, когато заключвате инструмента в положение "ON" (Вкл.) и продължавайте да го държите здраво.

За да включите инструмента, просто натиснете пусковия прекъсвач. За спиране отпуснете пусковия прекъсвач. За непрекъсната работа натиснете пусковия прекъсвач, задействайте блокиращия бутон, след което отпуснете пусковия прекъсвач. За да изключите инструмента от блокирано положение, издърпайте спусъка докрай, след което го отпуснете.

## За инструмент с бутон за деблокиране

**▲ ПРЕДУПРЕЖДЕНИЕ:** НИКОГА не елиминирайте деблокиращия бутон, като го завържете в натиснато положение с лента или някакъв друг материал. Прекъсвач с елиминиран деблокиращ бутон може да доведе до неволно задействане на инструмента и сериозно нараняване.

**▲ ПРЕДУПРЕЖДЕНИЕ:** НИКОГА не използвайте инструмента, ако се включва само когато издърпате пусковия прекъсвач, без да сте натиснали бутон за деблокиране. Неремонтиран прекъсвач може да доведе до неволно задействане на инструмента и сериозно нараняване. Върнете инструмента в сервизен център на Makita за ремонт ПРЕДИ по-нататъшна употреба.

За предотвратяване случайното натискане на пусковия прекъсвач е осигурен бутон за деблокиране. За включване на инструмента натиснете бутон за деблокиране и издърпайте пусковия прекъсвач. За спиране отпуснете пусковия прекъсвач.

**БЕЛЕЖКА:** Не издърпвайте пусковия прекъсвач силно, без да сте натиснали бутон за деблокиране. Това може да доведе до счупване на прекъсвача.

## Разстояние между менгемето и водещата планка

**▲ ВНИМАНИЕ:** След като настроите разстоянието между менгемето и водещата планка, се уверете, че водещата планка е надеждно закрепена. Ненадеждното закрепване може да доведе до наранявания.

**▲ ВНИМАНИЕ:** Помнете, че тесни детайли може да не се захващат безопасно при използване на двата най-широки задавани интервала.

Възможни са следните настройки на менгемето за разстоянието:

- 0 - 170 mm (0" - 6-11/16") (първоначална настройка)
- 35 - 205 mm (1-3/8" - 8-1/16")
- 70 - 240 mm (2-3/4" - 9-7/16")

Ако вашата задача изисква различна настройка, направете следното, за да промените отстоянието или разстоянието.

Демонтирайте двата болта с глава с вътрешен шестостен, с помощта на глухия ключ. Преместете водещата планка до желаната позиция и я закрепете болтовете с глава с вътрешен шестостен.

► **Фиг.6:** 1. Шестостенен ключ 2. Водеща планка 3. Болтове с глава с вътрешен шестостен

## Регулиране на ъгъла на рязане

**▲ ВНИМАНИЕ:** След като настроите ъгъла на водещата планка, се уверете, че е надеждно закрепена. Ненадеждното закрепване може да доведе до наранявания.

**▲ ВНИМАНИЕ:** Когато с инструмента се извършва рязане под ъгъл надясно с ограничител, винаги поставяйте водещата планка в позиция 0 - 170 mm (0" - 6-11/16"). Поставяне в позиция 35 - 205 mm (1-3/8" - 8-1/16") или 70 - 240 mm (2-3/4" - 9-7/16") възпрепятства движението на ограничителя, което ще доведе до неуспешно рязане.

**▲ ВНИМАНИЕ:** Не работете с инструмента, когато материалът не е закрепен здраво в менгемето поради ъгъла на рязане.

Развийте двата болта с глава с вътрешен шестостен с помощта на шестостенния ключ. Завъртете водещата планка в желания ъгъл и я закрепете с болтовете с глава с вътрешен шестостен. Внимавайте да не се отклоните от зададения ъгъл, докато затягате болтовете с глава с вътрешен шестостен.

► **Фиг.7:** 1. Водеща планка 2. Болтове с глава с вътрешен шестостен

**ЗАБЕЛЕЖКА:** Скалата върху водещата планка дава само приблизителна информация. За по-точно определяне на ъгъла използвайте транспортир или триъгълник. Дръжте ръкохватката надолу, така че дискът за рязане да стърчи в основата. Едновременно с това настройте ъгъла между водещата планка и диска за рязане с помощта на транспортир или триъгълник.

## Регулиране предпазителя против искри

Предпазителят против искри е фабрично монтиран, като долният му ръб се допира до основата. При работа с инструмента в такова положение наоколо ще хвърчат много искри. Разхлабете винта и настройте предпазителя против искри в положение, при което ще хвърчат най-малко искри наоколо. Типът на предпазителя против искри е различен за различните държави.

► **Фиг.8:** 1. Винт 2. Предпазител против искри

## Ограничител

### Зависи от държавата

Ограничителят предотвратява допира на диска за рязане с работния плот или пода. Когато се монтира нов диск за рязане, установете ограничителя в позиция (А). Когато дискът за рязане се износи до степен, при която долната част на детайла остава неотрязана, установете ограничителя в позиция (В), за да има възможност за увеличаване на способността на рязане с износен диск.

► **Фиг.9:** 1. Ограничител

## СГЛОБЯВАНЕ

**⚠ВНИМАНИЕ:** Преди да извършвате никакви работи по инструмента, винаги се уверявайте, че той е изключен от бутона и от контакта.

### Отваряне на предпазителя

#### Отваряне на предпазителя от тип преден капак

Повдигнете предпазителя с ръка.

► Фиг.10: 1. Предпазител

#### Отваряне на предпазителя тип централна капачка

Първо разхлабете притискащите винтове, след което вдигнете предпазителя.

► Фиг.11: 1. Притискащ винт

### Сваляне или поставяне на диска за рязане

**⚠ВНИМАНИЕ:** Непременно затегнете здраво болта с вътрешен шестостен. Недостатъчното затягане може да доведе до наранявания. Когато затягате болта с вътрешен шестостен, използвайте шестостенен ключ, предоставен в комплекта на инструмента, за се осигури надеждно затягане.

**⚠ВНИМАНИЕ:** Винаги използвайте само подходящ вътрешен и външен фланец, които са доставени с инструмента.

**⚠ВНИМАНИЕ:** След замяна на диска винаги спускайте предпазителя.

**⚠ВНИМАНИЕ:** При работа с дискове носете ръкавици.

Повдигнете предпазителя. Завъртете болта с вътрешен шестостен обратно на часовниковата стрелка чрез шестостенен ключ, докато задържате надолу палеца за блокиране на вала. След това махнете болта с вътрешен шестостен, шайбата, външния фланец и диска.

► Фиг.12: 1. Палец за блокиране на вала 2. Болт с глава с вътрешен шестостен

► Фиг.13: 1. Вътрешен фланец 2. Пръстен 3. О-пръстен 4. Метализиран подсилен диск за рязане (абразивен диск за рязане) 5. Външен фланец 6. Шайба 7. Шестостенен глух болт

За поставяне на диска извършете горните действия в обратен ред. Уверете се, че сте поставили отвора на диска за рязане към пръстена и върнете предпазителя.

## Съхранение на шестостенния ключ

За да не изгубите шестостенния ключ, когато не го използвате, поставете го на мястото, показано на фигурата.

M2402

► Фиг.14: 1. Шестостенен ключ

M2403

► Фиг.15: 1. Шестостенен ключ

## Експлоатация

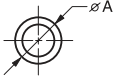
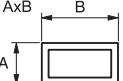
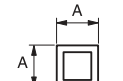

**⚠ВНИМАНИЕ:** Правилният натиск върху ръкохватката по време на рязане и максималната ефикасност при рязане могат да се определят по количеството искри, възникващи при рязането. Не прекалявайте с натиска върху ръкохватката по време на рязане. Възможно е това да доведе до влошена ефикасност при рязане, ускорено износване на диска, както и повреждане на инструмента, диска за рязане или детайла.

Хванете ръкохватката здраво. Включете инструмента и изчакайте дискът за рязане да достигне пълни обороти, преди да го спуснете внимателно за рязане. Когато дискът за рязане докосне детайла, започнете постепенно да натискате ръкохватката, за да режете. След като завършите среза, изключете инструмента и изчакайте, докато дискът за рязане спре напълно, преди да върнете ръкохватката в напълно вдигнато положение.

### Мощност на рязане

Макс. мощност на рязане е различна в зависимост от въгъла на рязане и от формата на детайла.

#### Макс. размери на рязане с нов диск за рязане

Въгъл на рязане / Форма на работния детайл	90°	45°
	127 mm (5")	127 mm (5")
	102 x 194 mm (4" x 7-5/8") 70 x 233 mm (2-3/4" x 9-1/8")	115 x 103 mm (4-1/2" x 4-1/16")
	119 x 119 mm (4-11/16" x 4-11/16")	106 x 106 mm (4-3/16" x 4-3/16")
	137 x 137 x 10 mm (5-3/8" x 5-3/8" x 3/8")	100 x 100 x 10 mm (4" x 4" x 3/8")

## Закрепване на работния детайл

**⚠ ВНИМАНИЕ:** Винаги поставяйте ограничител за резбата върху резбата на вала, когато закрепвате детайла. Ако не направите това, детайлт може да не бъде закрепен достатъчно здраво. Това може да доведе до изхвърляне на детайла или сериозно повреждане на диска за рязане.

Когато ограничителят на резбата е повдигнат, челостта на менгемето може да бъде преместена бързо навътре и навън. За да хванете детайл, натиснете ръкохватката, докато челостта на менгемето се допре до детайла, след това я върнете до ограничителната верига. Завъртете ръкохватката в посока на часовниковата стрелка, докато детайлт не бъде надеждно закрепен.

► **Фиг.16:** 1. Ръкохватка 2. Ограничител на резбата 3. Челюст на менгеме

Когато дискът за рязане се износи значително, поставете разделително блокче зад детайла, както е показано на фигурата. Можете да използвате по-ефикасно износения диск, като използвате средната точка върху периферията на диска при рязането на детайла. Използвайте здрав и незапалим материал като разделително блокче.

► **Фиг.17:** 1. Разделително блокче

При рязане под ъгъл на детайли с ширина повече от 85 mm (3-3/8") поставете изправено дървено трупче (за раздалечаване) с дължина над 190 mm (7-1/2") x 45 mm (1-3/4") ширина към водещата планка, както е показано на фигурата. Прикрепете разделително блокче с винтове през отворите на водещата планка. Уверете се, че дискът за рязане не се допира до разделителното блокче, когато главата на инструмента е натисната.

► **Фиг.18:** 1. Водеща планка 2. Разделително блокче с дължина над 190 mm (7-1/2") x 45 mm (1-3/4") ширина 3. Детайли с ширина над 85 mm (3-3/8") 4. Челюст на менгеме

► **Фиг.19**

Когато дискът за рязане се износи, повдигнете позицията на рязане, като поставите разделителното блокче, което е малко по-тясно от детайла, както е показано на фигурата. Това ще ви помогне да използвате икономично диска за рязане.

► **Фиг.20:** 1. Челюст на менгеме 2. Диаметър на детайла 3. Водеща планка 4. Ширина на разделителното блокче

Детайли с голяма дължина трябва да бъдат подпирани с блокчета от двете страни, за да бъдат на едно равнище с горната част на основата. Използвайте незапалими материали като подпирачи блокчета.

► **Фиг.21:** 1. Подпирачо блокче

## Пренасяне на машината

Сгнетете надолу работната глава на инструмента и я заключете. Дръжте инструмента за ръкохватките, когато го пренасяте.

**M2402**

► **Фиг.22**

**M2403**

► **Фиг.23**

## ПОДДРЪЖКА

**⚠ ВНИМАНИЕ:** Винаги проверявайте дали инструментът е изключен от прекъсвача и от контакта преди извършване на проверка или поддръжка на инструмента.

**БЕЛЕЖКА:** Не използвайте бензин, нафта, разредител, спирт и др. подобни. Това може да причини обезцветяване, деформация или пукнатини.

За да се поддържа БЕЗОПАСНОСТТА и НАДЕЖДНОСТТА на продукта, ремонтите, поддръжката или регулирането трябва да се извършват от упълномощен сервиз или фабрични сервизни центрове на Makita, като винаги трябва да използвате резервни части от Makita.

## Смяна на графитните четки

► **Фиг.24:** 1. Ограничителен знак

Проверявайте редовно графитните четки. Сменяйте ги, когато се износят до ограничителния знак. Поддържайте графитните четки чисти и да се движат свободно в държачите. Двете графитни четки трябва да се сменят едновременно. Използвайте само идентични графитни четки.

1. С помощта на отвертка развийте капачките на четкодържачите.

2. Извадете износените графитни четки, сложете новите и завийте капачките на четкодържачите.

► **Фиг.25:** 1. Капачка на четкодържач

## SPECIFIKACIJE

Model:		M2402	M2403
Promjer ploče		355 mm	
Maks. debljina ploče		3 mm	
Promjer rupe		25,4 mm	
Brzina bez opterećenja		3.800 min <sup>-1</sup> ili 3.900 min <sup>-1</sup> Brzina bez opterećenja razlikuje se ovisno o zemlji. Pogledajte pločicu na alatu.	
Dimenzije (D x Š x V)	Model sa štitnikom u obliku prednjeg poklopca + baza visine od 97,0 mm	500 mm x 280 mm x 630 mm	515 mm x 280 mm x 640 mm
	Model sa štitnikom u obliku prednjeg poklopca + baza visine od 77,0 mm	490 mm x 280 mm x 610 mm	500 mm x 280 mm x 620 mm
	Model sa štitnikom u obliku centralnog poklopca	490 mm x 280 mm x 610 mm	500 mm x 280 mm x 620 mm
Neto težina	Model sa štitnikom u obliku prednjeg poklopca + baza visine od 97,0 mm	15,5 kg	15,3 kg
	Model sa štitnikom u obliku prednjeg poklopca + baza visine od 77,0 mm	14,5 kg	14,3 kg
	Model sa štitnikom u obliku centralnog poklopca	14,0 kg	13,8 kg
Sigurnosna klasa		II/III	

- Zahvaljujući našem stalnom programu razvoja i istraživanja, navedene specifikacije podložne su promjenama bez obavijesti.
- Specifikacije mogu biti različite ovisno o zemlji.
- Težina prema postupku EPTA 01/2014

### Namjena

Alat je namijenjen za rezanje željeznih materijala s prikladnom abrazivnom reznom pločom. Poštujte sve zakone i odredbe koje se odnose na prašinu, radni prostor, zdravlje i sigurnost koji vrijede u vašoj zemlji.

### Električno napajanje

Alat se smije priključiti samo na električno napajanje s naponom istim kao na nazivnoj pločici i smije raditi samo s jednofaznim izmjeničnim napajanjem. Dvostruko su izolirani pa se mogu rabiti i iz utičnica bez uzemnog užeta.

### Za javne niskonaponske distribucijske sustave između 220 V i 250 V

Uključivanje i isključivanje električnih uređaja uzrokuje fluktuacije napona. Rad ovog uređaja pod nepovoljnim uvjetima u električnoj mreži može imati negativne učinke na rad ostale opreme. Smatra se da neće biti negativnih učinaka pri impedanciji električne mreže jednakoj ili manjoj od 0,25 ohm. Mrežna utičnica koja se koristi za ovaj uređaj mora biti zaštićena osiguračem ili zaštitnom sklopkom sa sporim značajkama okidanja.

### Buka

Tipična jačina buke označena s A, određena sukladno EN62841-3-10:

#### Model M2402

Razina tlaka zvuka ( $L_{pA}$ ): 98 dB (A)  
Razina snage zvuka ( $L_{WA}$ ): 108 dB (A)  
Neodređenost (K): 3,0 dB (A)

#### Model M2403

Razina tlaka zvuka ( $L_{pA}$ ): 99 dB (A)  
Razina snage zvuka ( $L_{WA}$ ): 109 dB (A)  
Neodređenost (K): 3,0 dB (A)

**NAPOMENA:** Deklarirana vrijednost emisije buke izmjerena je prema standardnoj metodi testiranja i može se rabiti za usporedbu jednog alata s drugim.

**NAPOMENA:** Deklarirana vrijednost emisije buke također se može rabiti za preliminarnu procjenu izloženosti.

**⚠ UPOZORENJE:** Nosite zaštitu za uši.

**⚠ UPOZORENJE:** Emisija buke tijekom stvarnog korištenja električnog ručnog alata se može razlikovati od deklariranih vrijednosti emisije, ovisno o načinu na koji se alat rabi, posebice ovisno o tome kakav se izradak izrađuje.

**⚠ UPOZORENJE:** Nemojte zaboraviti da identifikirate sigurnosne mjere zaštite rukovatelja koje se temelje na procjeni izloženosti u stvarnim uvjetima korištenja (uzimajući u obzir sve dijelove radnog ciklusa, poput vremena kada je alat isključen i kada on radi u praznom hodu, a također i vrijeme okidanja).

## Vibracija

Ukupna vrijednost vibracija (troosni vektorski zbir) izračunata u skladu s EN62841-3-10:

### Model M2402

Emisija vibracija ( $a_h$ ) : 4,5 m/s<sup>2</sup>  
Neodređenost (K): 1,5 m/s<sup>2</sup>

### Model M2403

Emisija vibracija ( $a_h$ ) : 3,5 m/s<sup>2</sup>  
Neodređenost (K): 1,5 m/s<sup>2</sup>

**NAPOMENA:** Deklarirana vrijednost ukupnih vibracija izmjerena je prema standardnoj metodi testiranja i može se rabiti za usporedbu jednog alata s drugim.

**NAPOMENA:** Deklarirana vrijednost ukupnih vibracija također se može rabiti za preliminarnu procjenu izloženosti.

**⚠ UPOZORENJE:** Emisija vibracija tijekom stvarnog korištenja električnog ručnog alata se može razlikovati od deklariranih vrijednosti emisije, ovisno o načinu na koji se alat rabi, posebice ovisno o tome kakav se izradak izrađuje.

**⚠ UPOZORENJE:** Nemojte zaboraviti da identifikirate sigurnosne mjere zaštite rukovatelja koje se temelje na procjeni izloženosti u stvarnim uvjetima korištenja (uzimajući u obzir sve dijelove radnog ciklusa, poput vremena kada je alat isključen i kada on radi u praznom hodu, a također i vrijeme okidanja).

## Izjava o sukladnosti EZ

*Samo za države članice Europske unije*

Izjava o sukladnosti EZ u privitku je Priloga A ovih uputa za upotrebu.

## SIGURNOSNA UPOZORENJA

### Opća sigurnosna upozorenja za električne ručne alate

**⚠ UPOZORENJE:** Pročitajte sva sigurnosna upozorenja, upute, ilustracije i specifikacije priložene uz ovaj električni ručni alat. Nepridržavanje svih uputa navedenih u nastavku može rezultirati strujnim udarom, požarom i/ili ozbiljnim ozljedama.

## Sačuvajte sva upozorenja i upute radi kasnijeg korištenja.

Pojam „električni alat” u upozorenjima odnosi se na električni (kabelski) alat uključen u struju ili na bežične električne alate (na baterije).

## Sigurnosna upozorenja za brusno-rezni stroj

1. **Rotirajuću ploču držite podalje od sebe i drugih osoba.** Zaštita štiti rukovatelja od odlomljenih dijelova i slučajnog dodirivanja ploče.
2. **Sa svojim električnim ručnim alatom upotrebljavajte samo armirane rezne ploče.** Samo zato što se neki dodatak može montirati na električni ručni alat, ne znači da je osiguran siguran rad.
3. **Nazivna brzina dodatka mora biti najmanje jednaka maksimalnoj brzini navedenoj na električnom ručnom alatu.** Dodaci koji rade brže od nazivne brzine mogu se slomiti i dijelovi se mogu razletjeti naokolo.
4. **Ploče se smiju upotrebljavati samo za preporučene primjene. Na primjer: nemojte brusiti s bočnom stranom rezne ploče.** Abrazivne rezne ploče namijenjene su perifernom brušenju, a bočne sile koje djeluju na te ploče mogu prouzročiti njihov lom.
5. **Za odabranu ploču uvijek rabite neoštećene prirubnice ploča ispravnog promjera.** Ispravne prirubnice ploča podupiru ploče, smanjujući mogućnost njihovog pucanja.
6. **Vanjski promjer i debljina dodatka moraju odgovarati nazivnom kapacitetu električnog alata.** Neispravni dodaci ne mogu se primjereno zaštititi niti kontrolirati.
7. **Veličina trna ploča i prirubnica mora odgovarati vretenu električnog ručnog alata.** Ploče i prirubnice s otvorima za trnove koji ne odgovaraju mehaničkim dijelovima za montiranje električnog ručnog alata izgubit će ravnotežu i prekomjerno će vibrirati, što može prouzročiti gubitak kontrole.
8. **Ne rabite oštećene ploče. Prije svake uporabe provjerite ima li na ploči krhotina i pukotina. Ako vam električni ručni alat ili ploča ispadnu, provjerite ima li oštećenja ili postavite neoštećenu ploču.** Nakon provjere i postavljanja ploče, odmaknite se i udaljite druge osobe od ravnog dijela rotirajuće ploče te pustite električni ručni alat da jednu minutu radi bez opterećenja pri maksimalnoj brzini. Oštećene ploče obično se polome tijekom tog ispitivanja.
9. **Nosite osobnu zaštitnu opremu. Ovisno o primjeni upotrijebite štitnik za lice, zaštitu za oči ili zaštitne naočale. Ako je potrebno, nosite masku za prašinu, štitnike za uši, rukavice i radioničku pregaču koja može zaustaviti male abrazivne dijelove ili male dijelove izratka.** Zaštita za oči mora zaustaviti leteće krhotine koje su moguće pri izvođenju brojnih zadataka. Maska za prašinu ili respirator mora filtrirati čestice koje nastaju pri radu. Dulja izloženost jakoj buci može prouzročiti gubitak sluha.
10. **Držite druge osobe na sigurnoj udaljenosti od radnog područja. Svako tko uđe u radno područje mora nositi osobnu zaštitnu opremu.** Djelici izratka ili polomljene ploče mogu odletjeti i prouzročiti ozljede izvan neposrednog radnog područja.



- Kabel postavite daleko od rotirajućeg dodatka.** Ako izgubite kontrolu, kabel se može prekinuti ili zakačiti te vam uvući šaku ili ruku u rotirajuću ploču.
- Redovito čistite ventilacijske otvore električnog ručnog alata.** Ventilator motora može uvući prašinu u kućište, a prekomjerno nakupljanje metalne prašine predstavlja opasnost od strujnog udara.
- Ne radite s električnim ručnim alatom u blizini zapaljivih materijala. Ne upotrebljavajte električni alat dok je postavljen na zapaljive površine poput drveta.** Iskre mogu zapaliti te materijale.
- Ne rabite dodatke koji zahtijevaju rashladne tekućine.** Upotreba vode ili drugih rashladnih tekućina može rezultirati smrću ili šokom uslijed strujnog udara.

#### Odbačaj unatrag i s njim povezana upozorenja

Odbačaj unatrag trenutna je reakcija na priklještenu ili zaglavljenu rotirajuću ploču. Priklještanje ili zaglavljivanje uzrokuje brzo zaustavljanje rotirajućeg dodatka, što dovodi do nekontroliranog kretanja reznog elementa prema gore i prema rukovatelju.

Ako je, primjerice, izradak zaglavio ili priklještio abrazivnu ploču, rub ploče koji ulazi u točku priklješćenja može se ukopati u površinu materijala, što će dovesti do iskakanja ili izbacivanja ploče. Abrazivne bi se ploče pod tim okolnostima mogle i slomiti.

Povratni udar rezultat je pogrešne uporabe električnog ručnog alata i/ili nepravilnih radnih postupaka ili uvjeta i može se spriječiti poduzimanjem prikladnih mjera opreza kao što je navedeno u nastavku.

- Čvrsto držite električni ručni alat, a svoje tijelo ili ruku namjestite tako da možete izdržati sile povratnog udara.** Rukovatelj može kontrolirati povratne udare ako se poduzmu odgovarajuće mjere opreza.
- Tijelo nemojte držati u ravnini s rotirajućom pločom.** Ako dođe do povratnog udara, odbacit će reznu jedincu prema rukovatelju.
- Nemojte montirati lanac za pilu, list za rezbanje drveta, segmentiranu dijamantnu reznu ploču širine reznog dijela preko 10 mm ili nazubljeni list pile.** Takvi listovi dovode do čestih povratnih udara i gubitka kontrole.
- Nemojte „zaglavljivati“ ploču niti primjenjivati prekomjerni pritisak. Nemojte pokušavati napraviti preduboki rez.** Prekomjerno naprezanje ploče povećava opterećenje i osjetljivost na uvijanje ili zaglavljivanje ploče u rezu, kao i mogućnost povratnog udara ili pucanja ploče.
- Kada se ploča zaglavi ili se rezanje iz nekog razloga prekine, isključite rezni element i držite ga u nepokretnom stanju sve dok se ploča u potpunosti ne zaustavi. Nikada nemojte pokušavati vaditi ploču iz reza dok se ploča okreće jer može doći do odbačaja unatrag.** Ispitajte i poduzmite korektivnu mjeru kako biste otklonili uzrok zaglavljivanja ploče.
- Nemojte ponovno pokretati postupak rezanja na izratku. Pustite ploču da dostigne punu brzinu i oprezno ponovno uđite u rez.** Ako se električni ručni alat ponovno pokrene u izratku, ploča se može zaglaviti, podići ili napraviti povratni udar.

- Poduprite svaki veći izradak kako biste minimizirali rizik od priklješćenja i povratnog udara.** Veliki izratci često popuštaju pod vlastitom težinom. Ispod izratka, blizu linije reza i blizu ruba izratka na obje strane ploče moraju se postaviti potpore.

#### Dodatna sigurnosna upozorenja

- Pri radu obratite pozornost na iskre koje lete.** One mogu uzrokovati ozljede ili zapaliti zapaljivi materijal.
- Osigurajte radno mjesto. Po mogućnosti koristite stezaljke ili škripac za učvršćivanje izradaka.** Korištenje pribora za stezanje sigurnije je i oslobada obje ruke za rukovanje alatom.
- Pažljivo pričvrstite reznu ploču.**
- Nemojte oštetiti osovinu, prirubnice (posebno površinu za instaliranje) ili vijak ili samu reznu ploču, inače će ploča puknuti.**
- Štitnike držite na mjestu i pazite da su u ispravnom radnom stanju.**
- Čvrsto držite ručku.**
- Držite ruke podalje od dijelova koji se okreću.**
- Prije nego što se rezna ploča uključi, provjerite dodiruje li izradak.**
- Prije svake upotrebe pazite na podrhtavanje ili pretjerano vibriranje do kojega može doći zbog neispravne montaže ili neizbalansirane ploče.**
- Uklonite materijal ili prljavštinu s područja jer ih iskre mogu zapaliti. Pazite da nitko ne bude izložen iskrama. U neposrednoj blizini držite ispravan i napunjen aparat za gašenje požara.**
- Ako se rezna ploča zaustavlja tijekom rada, stvara čudnu buku ili počne titrati, odmah isključite alat.**
- Alat uvijek isključite i pričekajte dok se rezna ploča ne prestane okretati prije uklanjanja, pričvršćivanja izratka, rada sa škripcem, promjene položaja rada, kuta ili same rezne ploče.**
- Ne dodirujte izradak odmah nakon rada; može biti izuzetno vruć i mogao bi vas opeći.**
- Ploče držite isključivo na suhim mjestu.**

## ČUVAJTE OVE UPUTE.

## INSTALACIJA

**⚠️ UPOZORENJE:** Prilikom rezanja izratka ovim alatom dolazi do iskrenja. Ne postavljajte alat na mjestima gdje se zapaljivi i/ili eksplozivni materijali mogu zapaliti uslijed iskrenja alata. Isto tako, provjerite da takav materijal nije u blizini uređaja prije početka radova.

## Učvršćivanje postolja

Alat morate pričvrstiti s dva vijka na ravnu i stabilnu površinu koristeći za to predviđene rupe za vijke na postolju alata. Tako ćete spriječiti prevrtanje i moguće ozljede.

► **SI.1:** 1. Rupe za vijke 2. Postolja

## FUNKCIONALNI OPIS

**⚠ OPREZ:** Prije podešavanja ili provjere rada alata obavezno provjerite je li stroj isključen i je li kabel iskopčan.

### Blokiranje/deblokiranje glave alata

Glava alata može se blokirati. Prilikom upotrebe otpustite lanac za blokiranje s kuke. Ako ga ne upotrebljavate ili prenosite, uvijek zakvačite lanac za blokiranje na kuku.

#### M2402

▶ **SI.2:** 1. Kuka 2. Lanac za blokiranje

#### M2403

▶ **SI.3:** 1. Kuka 2. Lanac za blokiranje

### Uključivanje i isključivanje

**⚠ UPOZORENJE:** Prije uključivanja stroja na električnu mrežu provjerite radi li uključno/isključna sklopka i vraća li se u položaj za isključivanje „OFF” nakon otpuštanja.

#### M2402

▶ **SI.4:** 1. Gumb za blokadu/deblokadu 2. Uključno/isključna sklopka

#### M2403

▶ **SI.5:** 1. Gumb za blokadu/deblokadu 2. Uključno/isključna sklopka

### Za alat s gumbom za blokadu

**⚠ OPREZ:** Sklopka se može zaključati u položaj „ON” da bi korisniku bilo udobnije koristiti alat tijekom duljeg vremena. Budite oprezni kada zaključavate alat u položaj „ON” i cijelo ga vrijeme čvrsto držite.

Za pokretanja alata jednostavno povucite uključno/isključnu sklopku. Za zaustavljanje alata otpustite uključno/isključnu sklopku. Za neometani rad povucite uključno/isključnu sklopku i pritisnite gumb za blokadu te potom otpustite uključno/isključnu sklopku. Da biste zaustavili alat iz blokiranog položaja, povucite sklopku do kraja, a zatim je otpustite.

### Za alat s gumbom za deblokadu

**⚠ UPOZORENJE:** Gumb za blokadu NIKADA ne pritišćite tako da ga zalijepite ili na neki drugi način. Sklopka s neispravnim gumbom za blokadu može uzrokovati slučajno uključivanje i ozbiljne tjelesne ozljede.

**⚠ UPOZORENJE:** NIKADA ne upotrebljavajte alat ako radi i ako ste samo povukli uključno/isključnu sklopku, a da niste pritisnuli gumb za blokadu. Neispravan prekidač može uzrokovati nehotično uključivanje i ozbiljne tjelesne ozljede. Vratite alat u servisni centar uređaja Makita radi potrebnih popravka PRIJE daljnje uporabe.

Da bi se uključno/isključna sklopka zaštitila od nehotičnog uključivanja, opremljena je gumbom za deblokadu. Da biste pokrenuli alat, pritisnite gumb za blokadu i potom povucite uključno/isključnu sklopku. Za zaustavljanje alata otpustite uključno/isključnu sklopku.

**NAPOMENA:** Nemojte snažno povlačiti uključno-isključnu sklopku prije nego što pritisnete gumb za deblokadu. Na taj bi se način mogao slomiti sklopka.

### Interval između škripca i ploče vodilice

**⚠ OPREZ:** Nakon namještanja intervala između škripca i ploče vodilice, provjerite je li ploča vodilice dobro pričvršćena. Ako nije dobro pričvršćena, može doći do osobnih ozljeda.

**⚠ OPREZ:** Imajte na umu da uski izradci možda nisu čvrsto pričvršćeni ako koristite te dvije šire postavke intervala.

Dostupne su sljedeće postavke intervala za škripac:

- 0 - 170 mm (0" - 6-11/16") (izvorna postavka)
- 35 - 205 mm (1-3/8" - 8-1/16")
- 70 - 240 mm (2-3/4" - 9-7/16")

Ako vam je za obavljanje posla potrebna drugačija postavka, učinite sljedeće kako biste promijenili razmak ili interval.

Imbus ključem skinite dva imbus vijka. Pomaknite ploču vodilice u željeni položaj i učvrstite je imbus vijcima.

▶ **SI.6:** 1. Imbus ključ 2. Ploča vodilice 3. Imbus vijci

### Prilagođavanje kuta rezanja

**⚠ OPREZ:** Nakon namještanja kuta ploče vodilice, provjerite je li ploča vodilice dobro pričvršćena. Ako nije dobro pričvršćena, može doći do osobnih ozljeda.

**⚠ OPREZ:** Prilikom nagibnog reza udesno s alatom koji ima zaustavnu ploču, uvijek postavite ploču vodilice u položaj 0 - 170 mm (0" - 6-11/16"). Ako je postavite u položaj 35 - 205 mm (1-3/8" - 8-1/16") ili 70 - 240 mm (2-3/4" - 9-7/16") ometat će pomicanje zaustavne ploče i rez neće biti ispravan.

**⚠ OPREZ:** Nemojte upotrebljavati alat ako materijal nije čvrsto osiguran škripcem zbog kuta rezanja.

Imbus ključem otpustite dva imbus vijka. Okrenite ploču vodilice pod željenim kutom i učvrstite je imbus vijcima. Pazite da ne poremetite namješteni kut prilikom zatezanja imbus vijaka.

▶ **SI.7:** 1. Ploča vodilice 2. Imbus vijci

**NAPOMENA:** Skala na ploči vodilice samo je okvirni prikaz. Za preciznije kutove koristite kutomjer ili trokutno ravnalo. Ručka neka bude spuštena kako bi se rezna ploča neometano mogla kretati do postolja. Istodobno kutomjerom ili trokutnim ravnalom podesite kut između ploče vodilice i rezne ploče.

## Prilagođavanje štitnika za iskre

Štitnik za iskre tvornički je ugrađen tako da donji rub dodiruje postolje. Zbog korištenja alata u ovom položaju iskre će letjeti uokolo. Otpustite vijak i podesite štitnik za iskre u položaj u kojem se proizvodi najmanje iskri. Vrsta štitnika za iskre razlikuje se ovisno o zemlji.

► **SI.8:** 1. Vijak 2. Štitnik za iskre

## Zaustavna ploča

### Ovisno o državi

Zaustavna ploča sprječava da rezna ploča dodiruje radni stol ili pod. Prilikom postavljanja nove rezne ploče zaustavnu ploču postavite u položaj (A). Kada se rezna ploča istroši toliko da donji dio izratka ostaje neizrezan, zaustavnu ploču postavite u položaj (B) kako biste dobili veći kapacitet rezanja s istrošenom donjom pločom.

► **SI.9:** 1. Zaustavna ploča

## MONTAŽA

**▲ OPREZ:** Prije svakog zahvata alat obavezno isključite, a priključni kabel iskopčajte iz utičnice.

## Otvaranje štitnika

### Otvaranje štitnika u obliku prednjeg poklopca

Podignite štitnik rukom.

► **SI.10:** 1. Štitnik

### Otvaranje središnjeg štitnika s poklopcem

Najprije otpustite stezni vijak, a zatim podignite štitnik.

► **SI.11:** 1. Stezni vijak

## Uklanjanje ili postavljanje rezne ploče

**▲ OPREZ:** Čvrsto pritegnite imbus vijak. Ako ne zategnete dovoljno, može doći do ozbiljnih ozljeda. Prilikom zatezanja imbus vijka upotrijebite imbus ključ priložen uz alat za pravilno zatezanje.

**▲ OPREZ:** Uvijek koristite samo ispravne unutarnje i vanjske prirubnice priložene uz alat.

**▲ OPREZ:** Uvijek spustite sigurnosni štitnik nakon zamjene ploče.

**▲ OPREZ:** Nosite rukavice prilikom rukovanja pločama.

Podignite štitnik. Imbus ključem okrenite imbus vijak u smjeru suprotnom od kazaljki na satu pridržavajući blokadu vretena u donjem položaju. Potom uklonite imbus vijak, podlošku, vanjsku prirubnicu i ploču.

► **SI.12:** 1. Blokada vretena 2. Imbus vijak

► **SI.13:** 1. Unutarnja prirubnica 2. Prsten 3. O-prsten 4. Rezna ploča vezana smolom, ojačana (abrazivna rezna ploča) 5. Vanjska prirubnica 6. Podloška 7. Šesterokutni nasadni vijak

Da biste postavili ploču, slijedite postupak za uklanjanje obrnutim redoslijedom. Poravnajte rupe rezne ploče s rupama prstena i vratiti štitnik na mjesto.

## Spremanje imbus ključa

Kad se ne koristi, držite imbus ključ kao što je prikazano na slici da ga ne biste izgubili.

### M2402

► **SI.14:** 1. Imbus ključ

### M2403

► **SI.15:** 1. Imbus ključ

## RAD

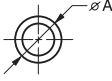
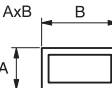
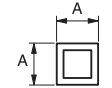
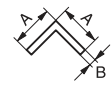
**▲ OPREZ:** Ispravan pritisak ručke tijekom rezanja i maksimalnu učinkovitost rezanja moguće je odrediti količinom iskri koje nastanu prilikom rezanja. Nemojte koristiti prekomjernu silu na ručki prilikom rezanja. To može smanjiti učinkovitost rezanja, uzrokovati preuranjeno trošenje ploče uz moguće oštećenje alata, rezne ploče ili izratka.

Čvrsto držite ručku. Uključite alat i pričekajte dok se rezna ploča ne počne vrtjeti punom brzinom prije laganog spuštanja za početak rezanja. Kada rezna ploča dodirne izradak, postupno spuštajte ručku radi rezanja. Kada završite s rezanjem, isključite alat i **pričekajte da se rezna ploča u potpunosti zaustavi** prije vraćanja ručke u potpuno podignuti položaj.

## Kapacitet rezanja

Maksimalni kapacitet rezanja je promjenjiv i ovisi o kutu rezanja i obliku izratka.

### Maksimalni kapacitet rezanja s potpuno novom reznom pločom

Kut rezanja/ oblik izratka	90°	45°
	127 mm (5")	127 mm (5")
	102 x 194 mm (4" x 7-5/8") 70 x 233 mm (2-3/4" x 9-1/8")	115 x 103 mm (4-1/2" x 4-1/16")
	119 x 119 mm (4-11/16" x 4-11/16")	106 x 106 mm (4-3/16" x 4-3/16")
	137 x 137 x 10 mm (5-3/8" x 5-3/8" x 3/8")	100 x 100 x 10 mm (4" x 4" x 3/8")

## Učvršćivanje izratka

**⚠ OPREZ:** Prilikom učvršćivanja izratka navojni držač uvijek postavite u navoje vretena. U protivnom može doći do nedovoljnog učvršćivanja izratka. To bi moglo prouzročiti odbacivanje izratka ili opasno lomljenje rezne ploče.

Dok je navojni nosač podignut ploču škripca možete brzo pomicati. Da biste pričvrstili izradak, gurajte ručku sve dok ploča škripca ne dodirne izradak pa vratite navojni držač. Okrećite ručku u smjeru kazaljke na satu sve dok se izradak sigurno ne učvrsti.

► **SI.16:** 1. Ručka 2. Navojni držač 3. Ploča škripca

Kada se rezna ploča istroši, postavite razmačnik iza izratka kao što je prikazano na slici. Istrošenu reznu ploču možete učinkovitije iskoristiti koristeći središnju točku na perifernom dijelu ploče za rezanje izratka. Upotrijebite razmačnik od robusnog i nezapaljivog materijala.

► **SI.17:** 1. Razmačnik

Prilikom rezanja izradaka koji su u jednom kutu širi od 85 mm (3-3/8") pričvrstite ravan komad drveta (kao razmačnik) iznad 190 mm (7-1/2") duljine x 45 mm (1-3/4") širine na ploču vodilice kao što je prikazano na slici. Razmačnik učvrstite vijcima kroz rupe u ploči vodilice. Pazite da rezna ploča ne dodiruje glavu alata prilikom pritiskanja.

► **SI.18:** 1. Ploča vodilice 2. Razmačnik širine veće od 190 mm (7-1/2") x 45 mm (1-3/4") 3. Izradak širi od 85 mm (3-3/8") 4. Ploča škripca

► **SI.19**

Kada se rezna ploča istroši, podignite položaj rezanja postavljanjem razmačnika koji je malo uži od izratka, kao što je prikazano na slici. To će vam pomoći da ekonomično upotrebljavate reznu ploču.

► **SI.20:** 1. Ploča škripca 2. Promjer izratka 3. Ploča vodilice 4. Širina razmačnika

Dugi izratci moraju imati potporu u vidu blokova na obje strane, tako da budu u razini s vrhom postolja. Za potporu upotrijebite blokove od nezapaljivog materijala.

► **SI.21:** 1. Potporni blokovi

## Alat za nošenje

Preklopite glavu alata i zaključajte je. Držite alat za ručku dok ga nosite.

**M2402**

► **SI.22**

**M2403**

► **SI.23**

## ODRŽAVANJE

**⚠ OPREZ:** Uvijek isključite i odspojite alat iz utičnice prije obavljanja pregleda ili održavanja.

**NAPOMENA:** Nikada nemojte koristiti benzin, mješavinu benzina, razrjeđivač, alkohol ili slično. Kao rezultat toga može se izgubiti boja, pojaviti deformacija ili pukotine.

Da biste zadržali SIGURNOST I POUZDANOST proizvoda, održavanje ili namještanja trebali biste prepustiti ovlaštenim servisnim ili tvorničkim centrima tvrtke Makita; uvijek rabite originalne rezervne dijelove.

## Zamjena ugljenih četkica

► **SI.24:** 1. Granična oznaka

Redovno provjeravajte ugljene četkice. Zamijenite ih kada istrošenost stigne do granične oznake. Vodite računa da su ugljene četkice čiste i da mogu skliznuti u držače. Objе ugljene četkice treba zamijeniti istovremeno. Koristite samo identične ugljene četkice.

1. Koristite odvijač da biste uklonili poklopce ugljenih četkica.

2. Izvadite istrošene ugljene četkice, umetnite nove i pričvrstite poklopce držača četkice.

► **SI.25:** 1. Poklopac držača četkice

## СПЕЦИФИКАЦИИ

Модел:		M2402	M2403
Дијаметар на тркало		355 мм	
Макс. дебелина на тркалото		3 мм	
Дијаметар на отвор		25,4 мм	
Брзина без оптоварување		3.800 мин. <sup>-1</sup> или 3.900 мин. <sup>-1</sup> Брзината без оптоварување се разликува од држава до држава. Погледнете ја плочката со име на алатот.	
Димензии (Д x Ш x В)	Модел со сигурносен штитник + од тип со преден капак 97,0 мм висина на основа	500 мм x 280 мм x 630 мм	515 мм x 280 мм x 640 мм
	Модел со сигурносен штитник + од тип со преден капак 77,0 мм висина на основа	490 мм x 280 мм x 610 мм	500 мм x 280 мм x 620 мм
	Модел со сигурносен штитник од тип со среден капак	490 мм x 280 мм x 610 мм	500 мм x 280 мм x 620 мм
Нето тежина	Модел со сигурносен штитник + од тип со преден капак 97,0 мм висина на основа	15,5 кг	15,3 кг
	Модел со сигурносен штитник + од тип со преден капак 77,0 мм висина на основа	14,5 кг	14,3 кг
	Модел со сигурносен штитник од тип со среден капак	14,0 кг	13,8 кг
Класа на безбедност		II	

- Поради нашата континуирана програма за истражување и развој, спецификациите тука подлежат на промена без најава.
- Спецификациите може да се разликуваат од држава до држава.
- Тежината е во согласност со постапката на ЕРТА 01/2014

### Наменета употреба

Алатот е наменет за сечење железни материјали со соодветно абразивно тркало за сечење. Почитувајте ги сите закони и прописи во вашата земја, што се однесуваат на прав и на здравје и безбедност на работното место.

### Напојување

Алатот треба да се поврзува само со напојување со ист напон како што е назначено на плочката и може да работи само на еднофазна наизменична струја. Алатот е двојно изолиран и може да се користи и со приклучоци што не се заземјени.

### За јавни нисконапонски системи за напојување меѓу 220 V и 250 V

Менувањето на работните постапки на електричните апарати предизвикува варијации на напонот. Работењето со овој уред под неповолни напонски услови може негативно да влијае врз работата на другите приклучени апарати. При струјна импеданца во мрежата од 0,25 оми или помала, може да се претпостави дека нема да се појават негативни ефекти. Мрежната приклучница за овој уред треба да е заштитена со осигурувач или сигурносен прекинувач со заштита при исклучување.

### Бучава

Типична А-вредност за ниво на бучавата одредена во согласност со EN62841-3-10:

#### Модел M2402

Ниво на звучниот притисок ( $L_{pA}$ ): 98 dB (A)  
Ниво на јачина на звукот ( $L_{WA}$ ): 108 dB (A)  
Отстапување (K): 3,0 dB (A)

#### Модел M2403

Ниво на звучниот притисок ( $L_{pA}$ ): 99 dB (A)  
Ниво на јачина на звукот ( $L_{WA}$ ): 109 dB (A)  
Отстапување (K): 3,0 dB (A)

**НАПОМЕНА:** Номиналната вредност(и) за емисија на бучава е измерена во согласност со стандардни методи за испитување и може да се користи за споредување алати.

**НАПОМЕНА:** Номиналната вредност(и) за емисија на бучава може да се користи и како прелиминарна процена за изложеност.

**▲ ПРЕДУПРЕДУВАЊЕ:** Носете заштита за ушите.

**▲ ПРЕДУПРЕДУВАЊЕ:** Емисијата на бучава при фактичкото користење на алатот може да се разликува од номиналната вредност(и), зависно од начинот на којшто се користи алатот, особено од тоа како вид работен материјал се обработува.

**▲ ПРЕДУПРЕДУВАЊЕ:** Погрижете се да ги утврдите безбедносните мерки за заштита на лицето кое ракува со алатот врз основа на процена на изложеноста при фактичките услови на употреба (земајќи ги предвид сите делови на работниот циклус, како периодите кога електричниот алат е исклучен и кога работи во празен од, не само кога е активен).

## Вибрации

Вкупна вредност на вибрациите (векторска сума на три оски) одредена во согласност со EN62841-3-10:

**Модел M2402**

Ширење вибрации ( $a_h$ ): 4,5 м/с<sup>2</sup>

Отстапување (K): 1,5 м/с<sup>2</sup>

**Модел M2403**

Ширење вибрации ( $a_h$ ): 3,5 м/с<sup>2</sup>

Отстапување (K): 1,5 м/с<sup>2</sup>

**НАПОМЕНА:** Вкупната вредност(и) на номиналната јачина на вибрациите е измерена во согласност со стандардни методи за испитување и може да се користи за споредување алати.

**НАПОМЕНА:** Вкупната вредност(и) на номиналната јачина на вибрациите може да се користи и како прелиминарна процена за изложеност.

**▲ ПРЕДУПРЕДУВАЊЕ:** Јачината на вибрациите при фактичкото користење на алатот може да се разликува од номиналната вредност(и), зависно од начинот на којшто се користи алатот, особено од тоа како вид работен материјал се обработува.

**▲ ПРЕДУПРЕДУВАЊЕ:** Погрижете се да ги утврдите безбедносните мерки за заштита на лицето кое ракува со алатот врз основа на процена на изложеноста при фактичките услови на употреба (земајќи ги предвид сите делови на работниот циклус, како периодите кога електричниот алат е исклучен и кога работи во празен од, не само кога е активен).

## Декларација за сообразност од ЕУ

*Само за земјите во Европа*

Декларацијата за сообразност од ЕУ е вклучена во Додаток А од упатствата за корисникот.

# БЕЗБЕДНОСНИ ПРЕДУПРЕДУВАЊА

## Општи упатства за безбедност за електричните алати

**▲ ПРЕДУПРЕДУВАЊЕ:** Прочитајте ги сите безбедносни предупредувања, упатства, илустрации и спецификации дадени со електричниот алат. Ако не се почитуваат сите упатства наведени подолу, може да дојде до струен удар, пожар и/или сериозни повреди.

## Чувајте ги сите предупредувања и упатства за да може повторно да ги прочитате.

Под терминот „електричен алат“ во предупредувањата се мисли на вашиот електричен алат кој работи на струја (со кабел) или на батерии (безжично).

## Безбедносни предупредувања за машината за сечење

1. **Позиционирајте се себе си и останатите лица околу вас подалеку од рамнината на каменот што врти.** Штитникот помага да се заштити операторот од парчиња скршено тркало и случаен контакт со каменот.
2. **За вашиот алат, користете само засилени камења за брусење.** Само затоа што некој додаток може да се монтира на вашиот уред не значи дека ќе се осигури безбедна работа.
3. **Номиналната брзина на додатокот мора да биде барем еднаква со максималната брзина означена на алатот.** Додатоците што се вртат побрзо од номиналната брзина може да се скршат и да се распркааат.
4. **Камењата смеат да се користат само за препорачаните намени.** На пример: не брусете со страната на каменот за брусење. Абрзивните камења за брусење се наменети за периферно брусење. Страничните сили нанесени на таквите камења може да ги распркааат.
5. **Секогаш користете неоштетени фланши за камен што се со правилен пречник за избраниот камен.** Соодветните фланши за камен го држат каменот и со тоа ја намалуваат можноста да се скрши.
6. **Надворешниот пречник и дебелината на додатокот мора да бидат во рамките на нормалниот капацитет на алатот.** Додатоците со неправилна големина не можат соодветно да се заштитат или контролираат.
7. **Големината на отворот на камењата и фланшите мора правилно да одговара на вретеното на алатот.** Камењата и фланшите со отвори што не соодветствуваат на монтажната опрема на алатот ќе бидат неурамнотежени, ќе вибрираат прекумерно и може да предизвикаат губење контрола.

8. **Не користете оштетени камења. Пред секоја употреба, проверете ги камењата да не се скршени или напукнати. Ако алатот или каменот ви падне, проверете дали има оштетувања или ставете неоштетен камен. Откако ќе го проверите и ќе го наместите каменот, поставете се себеси и околните лица подалеку од рамнината на вртливост камен и и ракувајте со алатот при максимална неоптоварена брзина една минута.** Оштетените камења обично се распаѓаат за време на овој пробен период.
9. **Носете опрема за лична заштита. Зависно од примената, користете заштита за лице, безбедносни затемнети очила или заштитни очила. Зависно од работата, носете маска за прав, ракавици и престилка што може да сопре мали отпадоци од брусење или стругање.** Заштитата за очи треба да сопира разлетан отпад произведен од работата. Маската за прав или респираторот треба да можат да ги филтрираат честичките што ги произведува вашата работа. Подолга изложеност на голема бучава може да предизвика оштетување на слухот.
10. **Присутните лица треба да бидат на безбедна оддалеченост од работното подрачје. Секој што влегува во работното подрачје треба да носи заштитна опрема.** Парчиња од обработуваниот материјал или од скршениот камен може да одлетаат и да предизвикаат повреди надвор од непосредното работно подрачје.
11. **Поставете го кабелот подалеку од вртливиот додаток.** Ако изгубите контрола, кабелот може да се пресече или повлече и раката или дланката може да ви се повлечат во вртливиот камен.
12. **Редовно чистете ги отворите за проветрување на алатот.** Вентилаторот на моторот привлекува прав во куќиштето, а прекумерното насобирање метал во прав може да предизвика опасност од струен удар.
13. **Не ракувајте со алатот близу до запаливи материјали. Не ракувајте со алатот кога е поставен на запалива површина како дрво.** Искрите може да предизвикаат пожар.
14. **Не користете додатоци за коишто се потребни течности за ладење.** Користењето вода или друга течност за ладење може да предизвика струен удар.

#### **Повратен удар - предупредувања**

Повратен удар настанува при ненадејно заглавување или поткачување на каменот што се врти. Заглавувањето или поткачувањето предизвикува нагло сопирање на каменот што се врти, што предизвикува губење контрола врз алатот и негово придвижување нагоре кон операторот. На пример, ако абразивниот камен се заглави во работниот материјал, работ на каменот што влегува во точката на заглавувањето може да се зарие во површината на материјалот, што ќе предизвика каменот да излезе или да отскокне. Абразивните камења може исто така да се скршат во вакви услови. Повратниот удар е резултат на неправилна употреба на алатот и/или неправилни работни постапки и услови и може да се избегне со преземање соодветни мерки на претпазливост, како што е наведено подолу.

1. **Цврсто држете го алатот и наместете ги телото и раката, така што ќе можат да ги издржат силите од повратен удар.** Операторот може да ги контролира силите на повратниот удар ако се преземат соодветни мерки на претпазливост.
2. **Не поставувајте го телото во линија со вртливото тркало.** Ако дојде до повратен удар, ќе го упати делот за сечење нагоре, кон операторот.
3. **Не поставувајте синцирна пила, сечило за дрворез, сегментирано дијамантско тркало со периферно растојание поголемо од 10 мм или назабена пила.** Таквите сечила создаваат повратен удар и губење на контролата.
4. **Не заглавувајте го каменот и не притискајте прекумерно. Не обидувајте се да сечете предлабоко.** Преголемото напрегнување на каменот ги зголемува оптоварувањето и можноста за извиткување или лепење на каменот во засекот, а со тоа и можноста за повратен удар или кршење на каменот.
5. **Кога каменот се лепи или кога сечењето се прекинува поради нешто, исклучете го алатот и држете го неподвижен додека каменот не сопре целосно. Не обидувајте се да го извадите каменот од засекот додека се движи, инаку може да дојде до повратен удар.** Испитајте и преземете мерки за отстранување на причините за лепење на каменот.
6. **Не почнувајте со сечењето повторно додека каменот е во материјалот. Оставете каменот да достигне полна брзина и внимателно влезете повторно во засекот.** Каменот може да се залепи, да осцилира или да дојде до повратен удар ако електричниот алат се активира повторно во материјалот.
7. **Прицврстете ги материјалите што се преголеми за да го намалите ризикот од заглавување на каменот и повратен удар.** Големите парчиња материјал обично се виткаат од сопствената тежина. Држачите треба да се стават под материјалот, близу до линијата на сечење и до работ на материјалот од двете страни на каменот.

#### **Дополнителни безбедносни предупредувања**

1. **Внимавајте на искрите додека работите.** Може да предизвикаат повреди или да запалат запаливи материјали.
2. **Прицврстете го работниот материјал. Користете стеги или менгеме за да го прицврстите работниот материјал кога е тоа практично.** Побезбедно е отколку да ја користите раката и притоа се слободни двете раце да ракувате со алатот.
3. **Внимателно обезбедете го тркалото за сечење.**
4. **Внимавајте да не ги оштетите оската, фланшите, (особено површината за монтирање) или завртката, во спротивно тркалото за сечење може да се скрши.**
5. **Штитниците мора да се поставени и да се во работна состојба.**
6. **Цврсто држете ја рачката.**

7. Не допирајте ги вртливите делови.
8. Осигурете се дека тркалото за сечење не го допира работниот материјал пред да се вклучи прекинувачот.
9. Пред секоја употреба, внимавајте на треперење и прекумерни вибрации што може да укажуваат на лошо монтиран или неизбалансиран камен.
10. Од површината, отстранете ги материјалите или отпадоците што може да се запалат од искри. Уверете се дека другите луѓе се надвор од патеката на искрите. Во близина чувајте соодветен, полн противпожарен апарат.
11. Ако тркалото за сечење запре за време на работата, создава чуден звук или започне да вибрира, веднаш исклучете го алатот.
12. Секогаш исклучете и чекајте тркалото за сечење целосно да запре пред да пристапите кон отстранување, прицврстување на работниот материјал, работење со стега, менување на работната положба, на агол или на самото тркало за сечење.
13. Не допирајте го работниот материјал веднаш по работата, може да е многу жешко и да ви ја изгори кожата.
14. Складирајте ги тркалата само на суво место.

## ЧУВАЈТЕ ГО УПАТСТВОТО.

## МОНТИРАЊЕ

**▲ПРЕДУПРЕДУВАЊЕ:** Кога сече работен материјал, алатот искри. Не монтирајте го алатот на места каде што запаливи и/или експлозивни материјали може да се запалат од неговите искри. Пред да почнете со работа, погрижете се да нема такви материјали блиску до алатот.

## Стегнување на основата

Овој алат треба да се прицврсти со две завртки на рамна и стабилна површина користејќи ги отворите за завртки направени во основата на алатот. Тоа ќе помогне да се спречи превртување и можна телесна повреда.

- **Сл.1:** 1. Отвори за завртки 2. Основа

## ОПИС НА ФУНКЦИИТЕ

**▲ВНИМАНИЕ:** Пред секое дотерување или проверка на алатот, проверете дали е исклучен и откачен од струја.

## Одблокирање/блокирање на главата на алатот

Главата на алатот може да се заклучи. Кога ќе го користите, откачете го синџирот за заклучување од куката. Кога не го користите или кога го носите, секогаш закачувајте го синџирот за заклучување на куката.

**M2402**

- **Сл.2:** 1. Кука 2. Синџир за блокирање

**M2403**

- **Сл.3:** 1. Кука 2. Синџир за блокирање

## Вклучување

**▲ПРЕДУПРЕДУВАЊЕ:** Пред да го приклучите кабелот во мрежата, проверете го прекинувачот дали функционира правилно и дали се враќа во положбата „OFF“ кога ќе се отпушти.

**M2402**

- **Сл.4:** 1. Копче за блокирање/копче за одблокирање 2. Прекинувач

**M2403**

- **Сл.5:** 1. Копче за блокирање/копче за одблокирање 2. Прекинувач

## За алат со копче за блокирање

**▲ВНИМАНИЕ:** Прекинувачот може да биде блокиран во положбата „ON“ за поголема удобност за лицето што ракува со алатот при подолготрајна употреба. Бидете внимателни кога го блокирате алатот во положбата „ON“ и одржувајте стабилен зафат на алатот.

За вклучување на алатот, едноставно повлечете го прекинувачот за стартување. Отпуштете го прекинувачот за да сопрете. За континуирана работа, повлечете го прекинувачот, притиснете го копчето за блокирање и потоа отпуштете го прекинувачот. За да го запрете алатот од блокираната положба, целосно повлечете го прекинувачот и потоа отпуштете го.



## За алат со копче за одблокирање

**▲ ПРЕДУПРЕДУВАЊЕ:** НИКОГАШ не оневозможувајте го копчето за блокирање туркајќи го надолу или на друг начин. Прекинувачот со поништено копче за блокирање може да резултира со ненамерно стартување на алатот и тешка телесна повреда.

**▲ ПРЕДУПРЕДУВАЊЕ:** НИКОГАШ не користете го алатот ако работи со едноставно повлекување на прекинувачот без да се притисне копчето за блокирање. Прекинувачот што треба да се поправи може да резултира со ненамерно стартување на алатот и тешка телесна повреда. Вратете го алатот во сервисен центар на Makita за соодветна поправка ПРЕД натамошна употреба.

За да се спречи случајно повлекување на прекинувачот, обезбедено е копче за одблокирање. За да го стартувате алатот, притиснете го копчето за одблокирање и повлечете го прекинувачот. Отпуштете го прекинувачот за да спрете.

**ЗАБЕЛЕШКА:** Не повлекувајте го силно прекинувачот без да го притиснете копчето за заклучување. Тоа може да предизвика дефект на прекинувачот.

## Интервал помеѓу менгемето и плочата за водење

**▲ ВНИМАНИЕ:** По нагудување на интервалот помеѓу менгемето и плочата за водење, уверете се дека плочата за водење е правилно стегната. Недоволното фиксирање може да резултира со лична повреда.

**▲ ВНИМАНИЕ:** Запаметете дека тесните работни материјали може да не се прицврстат безбедно при користење на второто нагудување за поширок интервал.

Доступни се следниве параметри за интервали на менгемето:

- 0 - 170 mm (0" - 6-11/16") (оригинален параметар)
- 35 - 205 mm (1-3/8" - 8-1/16")
- 70 - 240 mm (2-3/4" - 9-7/16")

Доколку за вашата работа е потребен поинаков параметар, продолжете со промена на растојанието или интервалот како што е прикажано.

Извадете ги двете шестаголници завртки со имбус-глава со помош на имбус-клуч. Поместете ја плочата за водење до саканата положба и стегнете ја со шестаголните завртки со имбус-глава.

- **Сл.6:** 1. Имбус-клуч 2. Плоча за водење  
3. Завртки со имбус-глава

## Нагудување на аголот на засекот

**▲ ВНИМАНИЕ:** По нагудување на аголот на плочата за водење, уверете се дека плочата за водење е правилно стегната. Недоволното фиксирање може да резултира со лична повреда.

**▲ ВНИМАНИЕ:** При вршење напречно косо сечење надесно со алатот со гранична плоча, секогаш поставувајте ја плочата за насочување на положба 0 - 170 mm (0" - 6-11/16"). Поставувањето на положба 35 - 205 mm (1-3/8" - 8-1/16") или 70 - 240 mm (2-3/4" - 9-7/16") го попречува движењето на граничната плоча што доведува до неправилно сечење.

**▲ ВНИМАНИЕ:** Поради аголот на сечење, не ракувајте со алатот ако материјалот не е убаво прицврстен со менгеме.

Олабавете ги двете шестаголници завртки со имбус-глава со помош на имбус-клуч. Свртете ја плочата за водење до саканиот агол и стегнете ја со шестаголните завртки со имбус-глава. Внимавајте да не го поместите поставениот агол додека ги стегнувате шестаголните завртки со имбус-глава.

- **Сл.7:** 1. Плоча за водење 2. Завртки со имбус-глава

**НАПОМЕНА:** Скалата на плочата за водење е само груб показател. За попрецизно поставување на аголот, користете агломер или триаголник. Држете ја рачката надолу, така што тркалото за сечење да излегува низ основата. Истовремено, нагодете го аголот помеѓу плочата за водење и тркалото за сечење со агломер или со триаголник.

## Нагудување на штитникот од искри

Штитникот од искри е монтиран фабрички со неговиот долен раб во допир со основата. Работењето со алатот во оваа положба ќе предизвика разлетување на голем број искри наоколу. Олабавете ја завртката и нагодете го штитникот од искри во позиција во која најмалку се разлетуваат искри наоколу. Типот на штитник од искри се разликува од една до друга држава.

- **Сл.8:** 1. Шраф 2. Штитник од искри

## Плоча затворац

### Зависно од земјата

Плочата затворац спречува тркалото за отсекување да дојде во допир со работната клупа или подот. Кога ќе монтирате ново тркало за отсекување, поставете ја плочата затворац во положбата (A). Кога ќе се изаби тркалото за отсекување до тој степен што на долниот дел од работниот материјал нема засек, поставете ја плочата затворац во положбата (B) за да се дозволи зголемен капацитет за сечење со изабено тркало.

- **Сл.9:** 1. Плоча затворац

## СОСТАВУВАЊЕ

**▲ВНИМАНИЕ:** Пред да работите нешто на алатот, проверете дали е исклучен и откачен од струја.

## Отворање на сигурносниот штитник

### Отворање на сигурносен штитник од тип со преден капак

Кренете го сигурносниот штитник со рака.

► Сл.10: 1. Сигурносен штитник

### Отворање сигурносен штитник од тип со средишно капаче

Прво олабавете ги стезните шrafoви, па кренете го штитникот.

► Сл.11: 1. Клемаста завртка

## Вадење или монтирање на тркалото за сечење

**▲ВНИМАНИЕ:** Цврсто стегнете ја шестаголната завртка со имбус-глава. Недоволното стегнување може да резултира со сериозна повреда. За да бидете сигурни дека правилно сте ја стегнале шестаголната завртка со имбус-глава, користете го имбус-клучот обезбеден со самиот алат.

**▲ВНИМАНИЕ:** Секогаш користете ги само соодветните внатрешна и надворешна фланша што се испорачуваат со алатот.

**▲ВНИМАНИЕ:** Секогаш спуштајте го безбедносниот штитник по замена на тркалото.

**▲ВНИМАНИЕ:** Носете ракавици кога ракувате со камења.

Кренете го сигурносниот штитник. Свртете ја шестаголната завртка со имбус-глава налево со помош на имбус-клучот, додека ја држите блокадата за оска надолу. Потоа, извадете ги завртката со имбус-глава, дихтунгот, надворешната фланша и тркалото.

► Сл.12: 1. Блокада на оската 2. Завртка со имбус-глава

► Сл.13: 1. Внатрешна фланша 2. Прстен 3. О-прстен 4. Заварено зајакнато тркало за сечење (тркало за абразивно сечење) 5. Надворешна фланша 6. Шајбна 7. Завртка со имбус-глава

За да го монтирате тркалото, следете ја постапката за отстранување по обратен редослед. Погрижете се отворот на тркалото за сечење да се поклопи со прстенот, па вратете го сигурносниот штитник.

## Складирање на имбус-клучот

Кога не се користи, складирајте го имбус-клучот како што е покажано на сликата за да не го изгубите.

M2402

► Сл.14: 1. Имбус-клуч

M2403

► Сл.15: 1. Имбус-клуч

## РАБОТЕЊЕ

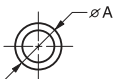
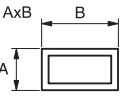
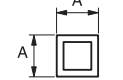

**▲ВНИМАНИЕ:** Соодветната сила за притискање на рачката при сечење и максималната ефикасност на сечење може да се утврдат преку количината искри што се произведува при сечењето. Не форсирајте го сечењето со примена на прекумерна сила врз рачката. Може да дојде до намалена ефикасност на сечењето, предвремено абење на тркалото, можно оштетување на алатот, тркалото за сечење или работниот материјал.

Цврсто држете ја рачката. Вклучете го алатот и почекајте додека тркалото за сечење не постигне целосна брзина пред нежно да го спуштите во засекот. Кога тркалото за сечење ќе дојде во допир со работниот материјал, постепено притискајте на рачката за да го извршите сечењето. Откако ќе завршите со сечењето, исклучете го алатот и почекајте додека тркалото за сечење не запре целосно пред да ја вратите рачката во целосно подигната положба.

## Капацитет на сечење

Максималниот капацитет на сечење се разликува во зависност од аголот на сечење и обликот на работниот материјал.

Максимален капацитет на сечење со ново тркало за сечење

Агол на сечење/ облик на работен материјал	90°	45°
	127 mm (5")	127 mm (5")
	102 x 194 mm (4" x 7-5/8") 70 x 233 mm (2-3/4" x 9-1/8")	115 x 103 mm (4-1/2" x 4-1/16")
	119 x 119 mm (4-11/16" x 4-11/16")	106 x 106 mm (4-3/16" x 4-3/16")
	137 x 137 x 10 mm (5-3/8" x 5-3/8" x 3/8")	100 x 100 x 10 mm (4" x 4" x 3/8")

## Обезбедување на работниот материјал

**▲ВНИМАНИЕ:** Секогаш ставајте го држачот за навој на навојот на оската кога го прицврстувате работниот материјал.

Во спротивно, можно е работниот материјал да не биде доволно прицврстен. Тоа може да предизвика работниот материјал да биде исфрлен или да дојде до опасно кршење на тркалото за сечење.

Додека држачот за навој е кренат, плочата на менгемето може брзо да се поместува навнатре и нанадвор. За да го стегнете работниот материјал, туркајте ја рачката од менгемето додека неговата плоча не дојде во допир со држачот за навој. Свртете ја рачката надесно додека работниот материјал да се задржи безбедно.

► **Сл.16:** 1. Рачка 2. Држач за навој 3. Плоча на менгеме

Кога тркалото за сечење значително ќе се изаби, ставете парче-сепаратор зад работниот материјал како што е прикажано на сликата. Можете поефикасно да го користите изабеното тркало со употреба на средната точка од периферијата на тркалото за сечење на работниот материјал. За парче-сепаратор, користете цврст и незапалив материјал.

► **Сл.17:** 1. Парче-сепаратор

Кога сечете работни материјали пошироки од 85 mm (3-3/8") под агол, поставете право парче дрво (сепаратор) со должина од 190 mm (7-1/2") и ширина од 45 mm (1-3/4") на плочата за водење, како што е прикажано на сликата. Поставете го сепараторот со завртките низ отворите на плочата за водење. Погрижете се тркалото за сечење да не дојде во допир со сепараторот кога ќе се притисне главата на алатот.

► **Сл.18:** 1. Плоча за насочување 2. Парче-сепаратор должина над 190 mm (7-1/2") и ширина над 45 mm (1-3/4") 3. Работен материјал со ширина над 85 mm (3-3/8") 4. Плоча на менгеме

► **Сл.19**

Кога тркалото за сечење ќе се изаби, кренете ја положбата за сечење, така што ќе ставите парче-сепаратор кое е потесно од работниот материјал, како што е прикажано на сликата. Со тоа ќе се помогне економичната употреба на тркалото за сечење.

► **Сл.20:** 1. Плоча на менгеме 2. Дијаметар на работен материјал 3. Плоча за водење 4. Ширина на парче-сепаратор

Долгите работни материјали мора да се потпрат со блокови од секоја страна, така што ќе бидат на исто ниво со горниот дел од основата. Користете незапалив материјал за блоковите за потпирање.

► **Сл.21:** 1. Блок за потпирање

## Транспорт на алатот

Превиткајте ја главата на алатот и блокирајте ја. Држете за рачката при носење.

**M2402**  
► Сл.22

**M2403**  
► Сл.23

## ОДРЖУВАЊЕ

**▲ВНИМАНИЕ:** Пред секоја проверка или одржување, проверете дали алатот е исклучен и откачен од струја.

**ЗАБЕЛЕШКА:** За чистење, не користете нафта, бензин, разредувач, алкохол или слично. Тие средства ја вадат бојата и може да предизвикаат деформации или пукнатини.

За да се одржи БЕЗБЕДНОСТА и СИГУРНОСТА на производот, поправките, одржувањата или дотерувањата треба да се вршат во овластени сервисни или фабрички центри на Makita, секогаш со резервни делови од Makita.

## Замена на карбонските четкички

► **Сл.24:** 1. Гранична ознака

Редовно проверувајте ги карбонските четкички. Заменете ги кога ќе се истрошат до граничната ознака. Одржувајте ги карбонските четкички чисти за да влегуваат во држачите непречено. Двете карбонски четкички треба да се заменат истовремено. Користете само идентични карбонски четкички.

1. Извадете ги капачињата на држачите на четкичките со одвртка.

2. Извадете ги истрошените карбонски четкички, вметнете ги новите и стегнете ги капачињата на држачите на четкичките.

► **Сл.25:** 1. Држач на четкичка

## ТЕХНИЧКИ ПОДАЦИ

Модел:		M2402	M2403
Пречник плоче		355 мм	
Макс. дебелина плоче		3 мм	
Пречник отвора		25,4 мм	
Брзина без оптерећења		3.800 мин <sup>-1</sup> или 3.900 мин <sup>-1</sup> Брзина без оптерећења се разликује у различитим земљама. Погледајте плочицу на алату.	
Димензије (Д x Ш x В)	Модел са сигурносним штитником у виду предњег поклопца + основом висине 97,0 мм	500 мм x 280 мм x 630 мм	515 мм x 280 мм x 640 мм
	Модел са сигурносним штитником у виду предњег поклопца + основом висине 77,0 мм	490 мм x 280 мм x 610 мм	500 мм x 280 мм x 620 мм
	Модел са сигурносним штитником у виду централног поклопца	490 мм x 280 мм x 610 мм	500 мм x 280 мм x 620 мм
Нето тежина	Модел са сигурносним штитником у виду предњег поклопца + основом висине 97,0 мм	15,5 кг	15,3 кг
	Модел са сигурносним штитником у виду предњег поклопца + основом висине 77,0 мм	14,5 кг	14,3 кг
	Модел са сигурносним штитником у виду централног поклопца	14,0 кг	13,8 кг
Заштитна класа		□/□	

- Због нашег непрестаног истраживања и развоја задржавамо право измена наведених спецификација без претходне најаве.
- Спецификације могу да се разликују у различитим земљама.
- Тежина према процедури ЕПТА 01/2014

### Намена

Алат је намењен за резање материјала који садрже двовалентно гвожђе одговарајућом брусном плочом за одсецање. Поштујте све законе и прописе у вези са прашином и у вези са здрављем и безбедношћу у подручју рада који важе у вашој земљи.

### Мрежно напајање

Алат сме да се прикључи само на монофазни извор мрежног наизменичног напајања који одговара подацима са натписне плочице. Алати су двоструко заштитно изоловани, па могу да се прикључе и на мрежне утичнице без уземљења.

### За јавне нисконапонске дистрибутивне системе између 220 V и 250 V

Укључивање електричног уређаја изазива варирање напона. Рад овог уређаја под неповољним условима напајања може да има негативан утицај на рад других апарата. Са импедансом једнаком или мањом од 0,25 ома не би требало да буде негативних ефеката. Утичница која се користи за овај алат требало би да буде заштићена осигурачем или склопом за заштиту од кратког споја за аутоматско искључивање у случају губитка напона.

### Бука

Типичан А-пондерисани ниво буке одређен је према стандарду EN62841-3-10:

#### Модел M2402

Ниво звучног притиска ( $L_{pA}$ ): 98 dB (A)  
Ниво звучне снаге ( $L_{WA}$ ): 108 dB (A)  
Несигурност (K): 3,0 dB (A)

#### Модел M2403

Ниво звучног притиска ( $L_{pA}$ ): 99 dB (A)  
Ниво звучне снаге ( $L_{WA}$ ): 109 dB (A)  
Несигурност (K): 3,0 dB (A)

**НАПОМЕНА:** Декларисане вредности емисије буке су измерене према стандардизованом мерном поступку и могу се користити за упоређивање алата.

**НАПОМЕНА:** Декларисана вредност емисије буке се такође може користити за прелиминарну процену изложености.

**▲УПОЗОРЕЊЕ:** Носите заштитне слушалице.

**▲УПОЗОРЕЊЕ:** Емисије буке током стварне примене електричног алата могу се разликовати од декларисане вредности у зависности од начина на који се користи алат, а посебно која врста предмета се обрађује.

**▲УПОЗОРЕЊЕ:** Уверите се да сте идентификовали безбедносне мере за заштиту руковаоца које су засноване на процени изложености у стварним условима употребе (узимајући у обзир све делове радног циклуса, као што је време рада уређаја, али и време када је алат искључен и када ради у празном ходу).

## Вибрације

Укупна вредност вибрација (векторски збир по три осе) одређена је према стандарду EN62841-3-10:

**Модел M2402**

Вредност емисије вибрација ( $a_h$ ): 4,5 м/с<sup>2</sup>

Несигурност (K): 1,5 м/с<sup>2</sup>

**Модел M2403**

Вредност емисије вибрација ( $a_h$ ): 3,5 м/с<sup>2</sup>

Несигурност (K): 1,5 м/с<sup>2</sup>

**НАПОМЕНА:** Декларисане укупне вредности вибрација су измерене према стандардизованом мерном поступку и могу се користити за упоређивање алата.

**НАПОМЕНА:** Декларисане укупне вредности вибрација се такође могу користити за прелиминарну процену изложености.

**▲УПОЗОРЕЊЕ:** Вредност емисије вибрација током стварне примене електричног алата може се разликовати од декларисане вредности у зависности од начина на који се користи алат, а посебно која врста предмета се обрађује.

**▲УПОЗОРЕЊЕ:** Уверите се да сте идентификовали безбедносне мере за заштиту руковаоца које су засноване на процени изложености у стварним условима употребе (узимајући у обзир све делове радног циклуса, као што је време рада уређаја, али и време када је алат искључен и када ради у празном ходу).

## ЕЗ декларација о усаглашености

*Само за европске земље*

ЕЗ декларација о усаглашености део је Додатка А у овом приручнику са упутствима.

# БЕЗБЕДНОСНА УПОЗОРЕЊА

## Општа безбедносна упозорења за електричне алате

**▲УПОЗОРЕЊЕ:** Прочитајте сва безбедносна упозорења, упутства, илустрације и спецификације које су испоручене уз овај електрични алат. Непοштовање свих доле наведених безбедносних упутстава може изазвати електрични удар, пожар и/или озбиљну повреду.

## Сачувајте сва упозорења и упутства за будуће потребе.

Термин „електрични алат“ у упозорењима односи се на електрични алат који се напаја из електричне мреже (каблом) или батерије (без кабла).

## Безбедносна упозорења за машину за одсецање

- Себе и пролазнике поставите тако да не будете у равни са ротирајућом плочом.** Штитник помаже у заштити руковаоца од одломљених делова плоче и случајног контакта са плочом.
- За ваш електрични алат користите искључиво лепљене ојачане плоче за одсецање.** Ако неки прибор може да се причврсти на ваш електрични алат, то не значи да осигурава безбедан рад.
- Номинална брзина прибора мора да буде најмање једнака максималној брзини означеној на електричном алату.** Прибори који се крећу брже од њихове номиналне брзине могу да се поломе и разлете у комадићима.
- Плоче морају да се користе искључиво за предвиђену намену. На пример: немојте да брусите бочном страном диска за одсецање.** Брусне плоче за одсецање намењене су за периферно брушење пошто бочна сила примењена на ове плоче може да изазове њихово пуцање.
- За изабрану плочу увек користите неоштећене прирубнице за плоче одговарајућег пречника.** Правилно изабране прирубнице за плоче подржавају плоче и смањују могућност да се распаду.
- Спољни пречник и дебљина прибора морају да одговарају номиналном капацитету вашег електричног алата.** Додатни прибори неправилне величине не могу се адекватно заштитити или контролисати.
- Прикључна величина плоча и прирубница мора да одговара вретену електричног алата.** Плоче и прирубнице са прикључним отворима који не одговарају монтажном делу електричног алата биће избачени из равнотеже, јако ће вибрирати и могу довести до губитка контроле.

8. **Немојте користити оштећене плоче. Пре сваке употребе проверите да ли на плочи постоје напрслине или оштећења. Ако електрични алат или плоча падну, проверите да ли су оштећени и монтирајте неоштећену плочу. Након провере и монтаже плоче, ви и остали посматрачи треба да се удаљите од равни ротирања плоче, а затим покрените електрични алат са максималном брзином празног хода и пустите га да ради један минут. Оштећене плоче ће се обично сломити током овог тестирања.**
9. **Носите заштитну опрему. У зависности од примене, користите штитник за лице, заштитну маску или заштитне наочаре. Ако је потребно, носите маску за заштитну од прашице, штитнике за слух, рукавице и кецељу која може да заустави мале абразивне честице или делиће предмета обраде. Заштита за очи мора да буде у стању да заустави летеће опилке који се стварају при разним операцијама. Маска за прашину или респиратор морају да буду у стању да филтрирају честице које се стварају док радите. Дуже излагање високом нивоу буке може довести до губитка слуха.**
10. **Удаљите посматраче на безбедну удаљеност од радног подручја. Свако ко улази у радно подручје мора да носи личну заштитну опрему. Делићи предмета обраде или сломљене плоче могу се одбацити и изазвати повреду и изван непосредног радног подручја.**
11. **Кабл поставите далеко од ротирајућег прибора. Ако изгубите контролу, може доћи до пресецања или заплитања кабла, а ваша шака или рука може бити повучена на ротирајући прибор.**
12. **Редовно чистите вентилационе отворе електричног алата. Мотор-вентилатор увлачи прашину у кућиште, а превелико нагомиланавање металне прашице може изазвати електричне опасности.**
13. **Не укључујте електрични алат близу запаљивих материјала. Немојте да укључујете електрични алат док је постављен на запаљивим површинама као што је дрво. Варнице би могле да упале такве материјале.**
14. **Немојте да користите прибор за који је потребна раскладна течност. Употреба воде или других раскладних течности може довести до електричног удара.**

#### **Повратни удар и повезана упозорења**

Повратни удар је изненадна реакција која се јавља када се ротирајућа плоча уклезти или укопа. Уклезтење или уковање изазива брзо блокирање ротирајуће плоче која са своје стране доводи до принудног неконтролисаног кретања јединице за резање према руковаоцу. На пример, ако се брусна плоча укопа или уклезти у предмет обраде, ивица плоче која улази у тачку уклезтења може да зарони у површину материјала изазивајући извлачење или одскакање плоче. Под таквим условима, може доћи до лома брусних плоча.

Повратни удар је резултат неправилног коришћења електричног алата и/или неправилних радних поступака или услова и може се избегнути предузимањем одговарајућих мера опреза које су наведене у наставку.

1. **Чврсто држите алат, а тело и руку поставите тако да може издржати силе повратног удара.** Руковалац може да контролише силе повратног удара усмерене ка њему ако предузме одговарајуће мере опреза.
2. **Не заузимајте положај у линији са ротирајућом плочом.** Ако се догоди повратни удар, он ће принудити јединицу за резање да се креће у смеру руковаоца.
3. **Немојте прикључивати тестере за резање дрвета или других материјала, сегментирану дијамантну плочу са периферним размаком већим од 10 мм или назубљени лист тестеру.** Такве тестере често стварају повратни удар и доводе до губитка контроле.
4. **Не „ометајте“ плочу и не примењујте превелики притисак. Не покушавајте да направите превише дубоки рез.** Пренапрезање плоче повећава оптерећење и склоност ка увртању и блокирању плоче у резу и могућности повратног удара или ломљења плоче.
5. **Када се плоча блокира или ако се резање из неког разлога прекине, искључите јединицу за резање и не померајте је док се плоча потпуно не заустави. Никада не покушавајте да уклоните плочу из реза док се плоча врти, јер то може изазвати повратни удар.** Проверите и предузмите корективне мере да бисте елиминисали разлог блокирања плоче.
6. **Не започињите поново резање у предмету обраде. Пустите да плоча достигне пуну брзину и пажљиво поново уведите алат у рез.** Плоча може да се блокира, издигне или прави повратни удар у случају да се струја укључи док се плоча налази у резу.
7. **Подуприте било који предимензионирани предмет обраде да бисте опасност од уклезтења и повратног удара svelи на минимум.** Велики предмети обраде имају тенденцију да се улежу под сопственом тежином. Средства за осигурање се морају поставити испод предмета обраде, у близини линије резања и у близини ивице предмета обраде, са обе стране плоче.

#### **Додатна безбедносна упозорења**

1. **Пазите се летећих варница приликом руковања.** Оне могу да доведу до повреде или да запале запаљиве материјале.
2. **Причврстите предмет обраде. Употребите спојнице или стегу која ће га држати приликом рада.** То је безбедније него да га држите руком и ослобађа обе руке за руковање алатом.
3. **Пажљиво причврстите диск за одсецање.**
4. **Пазите да не оштетите осовину, прирубнице (посебно површину за постављање) или завртањ да не би дошло до ломљења диска за одсецање.**

5. Држите штитнике на месту и у радном стању.
6. Чврсто држите ручку.
7. Држите руке даље од ротирајућих делова.
8. Уверите се да диск за одсецање није у додиру са предметом обраде пре него што укључите прекидач.
9. Пре сваке употребе проверите подрхтавање или прекомерне вибрације до којих могу да доведу неправилно постављање или неуравнотежена плоча.
10. Из подручја рада уклоните материјал или отпатке који би могли да се упале због варничења. Постарајте се да друга лица не буду на путањи варница. Нека у вашој близини буде исправан и напуњен апарат за гашење пожара.
11. Ако се диск за одсецање заустави током рада, почне да производи чудан звук или почне да вибрира, одмах искључите алат.
12. Увек искључите алат и сачекајте да се диск за одсецање потпуно заустави пре уклањања, причвршћивања предмета обраде, постављања стеге, промене положаја рада, угла или самог диска за одсецање.
13. Предмет обраде не додирујте одмах након завршетка рада јер може да буде врло врућ и можете да се опечете.
14. Плоче чувајте искључиво на сувом месту.

## САЧУВАЈТЕ ОВО УПУТСТВО.

### ПОСТАВЉАЊЕ

**▲УПОЗОРЕЊЕ:** Овај алат производи варнице приликом резања предмета обраде. Немојте постављати овај алат на место на којем се запаљиви и/или експлозивни материјали могу запалити варницама које производи алат. Такође се постарајте да се у близини алата не налазе такви материјали пре започињања рада.

### Причвршћивање постоља

Овај алат би требало да се причврсти помоћу два завртња за равну и стабилну површину уз помоћ отвора за завртње на постољу алата. Ово ће спречити превртање алата и могуће телесне повреде.

► **Слика1:** 1. Отвори за завртње 2. Постоље

## ОПИС НАЧИНА ФУНКЦИОНИСАЊА

**▲ПАЖЊА:** Пре подешавања или провере функција алата увек проверите да ли је алат искључен и одвојен из електричне мреже.

### Откључавање/закључавање главе алата

Глава алата се може закључати. Приликом коришћења откачите ланац за закључавање са куке. Ланац за закључавање увек закачите на куку приликом ношења алата или када га не користите.

**M2402**

► **Слика2:** 1. Кука 2. Ланац за закључавање

**M2403**

► **Слика3:** 1. Кука 2. Ланац за закључавање

### Функционисање прекидача

**▲УПОЗОРЕЊЕ:** Пре прикључивања алата на мрежу увек проверите да ли прекидач ради правилно и да ли се враћа у положај „OFF“ (искључивање) пошто га пустите.

**M2402**

► **Слика4:** 1. Дугме за закључавање / дугме за откључавање 2. Окидач прекидача

**M2403**

► **Слика5:** 1. Дугме за закључавање / дугме за откључавање 2. Окидач прекидача

### За алате са дугметом за закључавање

**▲ПАЖЊА:** Прекидач може да буде закључан у положају „ON“ (укључивање) за удобнији рад оператера приликом дуге употребе. Будите пажљиви приликом закључавања алата у положају „ON“ (укључивање) и непрекидно чврсто држите алат.

Да бисте активирали алат, једноставно притисните окидач прекидача. Отпустите окидач прекидача да бисте зауставили алат. За континуирани рад, повуците окидач прекидача, притисните дугме за закључавање, а затим отпустите окидач прекидача. Да бисте зауставили алат из закључаног положаја, у потпуности повуците окидач и отпустите га.

## За алате са дугметом за ослобађање из блокираног положаја

**▲ УПОЗОРЕЊЕ:** НИКАДА немојте да неутралишете дугме за ослобађање из блокираног положаја тако што ћете га залепити или на неки други начин. Прекидач с неисправним дугметом за ослобађање из блокираног положаја може да доведе до ненамерног покретања алата и тешких телесних повреда.

**▲ УПОЗОРЕЊЕ:** НИКАДА немојте да користите алат који ради тако што ћете само повући окидач прекидача без притискања дугмета за ослобађање из блокираног положаја. Прекидач коме је потребна поправка може да доведе до ненамерног покретања алата и тешких телесних повреда. ПРЕ даље употребе вратите алат сервисном центру компаније Makita ради адекватне поправке.

Да не би дошло до случајног повлачења окидача прекидача, обезбеђено је дугме за ослобађање из блокираног положаја. Да бисте укључили алат, притисните дугме за ослобађање из блокираног положаја и повуците окидач прекидача. Отпустите окидач прекидача да бисте зауставили алат.

**ОБАВЕШТЕЊЕ:** Немојте снажно да повлачите прекидач ако нисте притиснули дугме за ослобађање из блокираног положаја. То може да доведе до ломљења прекидача.

## Растојање између стеге и плоче за вођење

**▲ ПАЖЊА:** Након подешавања растојања између стеге и плоче за вођење постарајте се да је плоча за вођење исправно причвршћена. Недовољно фиксирање може узроковати телесне повреде.

**▲ ПАЖЊА:** Упамтите да ужи предмети обраде можда неће бити добро причвршћени ако користите два шира подешавања интервала.

Доступна су следећа подешавања растојања стеге:

- 0 - 170 mm (0" - 6-11/16") (првобитна поставка)
- 35 - 205 mm (1-3/8" - 8-1/16")
- 70 - 240 mm (2-3/4" - 9-7/16")

Ако ваш рад захтева другачију поставку, наставите као што је наведено да бисте променили размак или растојање.

Уклоните два имбус завртња помоћу имбус кључа. Померите плочу за вођење на жељену позицију и причврстите је помоћу имбус завртања.

► **Слика6:** 1. Имбус кључ 2. Плоча за вођење 3. Имбус завртњи

## Подешавање угла резања

**▲ ПАЖЊА:** Након подешавања угла плоче за вођење постарајте се да је плоча за вођење исправно причвршћена. Недовољно фиксирање може узроковати телесне повреде.

**▲ ПАЖЊА:** Приликом извршавања десног косог резања помоћу алата са плочом стопера, увек плочу за вођење подесите у положај 0 - 170 mm (0" - 6-11/16"). Подешавање у положај 35 - 205 mm (1-3/8" - 8-1/16") или 70 - 240 mm (2-3/4" - 9-7/16") омета кретање плоче стопера што може узроковати погрешан рез.

**▲ ПАЖЊА:** Ако материјал није чврсто затегнут стегом, немојте руковати алатом због угла резања.

Олабавите два имбус завртња помоћу имбус кључа. Окрените плочу за вођење према жељеном углу и причврстите је помоћу имбус завртања. Пазите да не померите постављени угао приликом причвршћивања имбус завртања.

► **Слика7:** 1. Плоча за вођење 2. Имбус завртњи

**НАПОМЕНА:** Скала на плочи за вођење је само груби показатељ. За прецизнији угао користите угломер или троугао. Држите ручку у доњем положају тако да диск за одсецање може да уђе у постолје. Истовремено подесите угао између плоче за вођење и диска за одсецање помоћу угломера или троугла.

## Подешавање штитника од варничења

Штитник од варничења је фабрички уграђен тако да његова доња ивица додирује постолје. Покретање алата у овом положају доводи до стварања великог броја варница. Олабавите завртањ и поставите штитник од варничења у положај у коме ће алат производити најмање варница. Тип штитника од варничења се разликује од земље до земље.

► **Слика8:** 1. Завртањ 2. Штитник од варничења

## Плоча стопера

### У зависности од земље

Плоча стопера спречава контакт између диска за одсецање и радне површине или пода. Када поставите нови диск за одсецање, поставите плочу стопера у положај (А). Када је диск за одсецање похабан до те мере да је доњи део предмета обраде остао неодсечен, поставите плочу стопера у положај (Б) да бисте омогућили повећање капацитета сечења са истрошеним плочама.

► **Слика9:** 1. Плоча стопера



## СКЛАПАЊЕ

**▲ПАЖЊА:** Пре извођења радова на алату увек проверите да ли је искључен и да ли је утикач извучен из утичнице.

## Отварање сигурносног штитника

### Отварање сигурносног штитника у виду предњег поклопца

Подигните сигурносни штитник руком.  
► **Слика10:** 1. Сигурносни штитник

### Отварање сигурносног штитника у виду централног поклопца

Прво олабавите завртањ за причвршћивање, па подигните штитник.  
► **Слика11:** 1. Завртањ за причвршћивање

## Уклањање или постављање диска за одсецање

**▲ПАЖЊА:** Обавезно чврсто затегните имбус завртањ. Недоволно затезање може узроковати тешке повреде. Када затежете имбус завртањ, користите имбус кључ достављен са алатом да бисте осигурали исправно затезање.

**▲ПАЖЊА:** Увек употребљавајте искључиво адекватне унутрашње и спољашње прирубнице достављене са алатом.

**▲ПАЖЊА:** Након замене плоче увек спустите сигурносни штитник.

**▲ПАЖЊА:** Носите рукавице док рукујете плочама.

Подигните сигурносни штитник. Док држите браву осовине, помоћу имбус кључа окрените имбус завртањ у смеру супротном од казаљке на сату. Затим уклоните имбус завртањ, подлошку, спољну прирубницу и диск.

► **Слика12:** 1. Брава осовине 2. Имбус завртањ

► **Слика13:** 1. Унутрашња прирубница 2. Прстен 3. О-прстен 4. Лепљен ојачани диск за одсецање (брусни диск за одсецање) 5. Спољна прирубница 6. Подлошка 7. Имбус завртањ

Да бисте поставили диск, примените поступак уклањања обрнутим редоследом. Постарајте се да се уклопи у отвор диска за одсецање према прстену, затим вратите сигурносни штитник.

## Складиштење имбус кључа

Када се не користи, имбус кључ складиштите као што је приказано на слици да се не би загубио.

**M2402**

► **Слика14:** 1. Имбус кључ

**M2403**

► **Слика15:** 1. Имбус кључ

## РАД

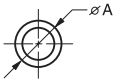
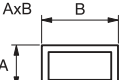
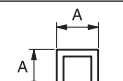
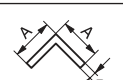
**▲ПАЖЊА:** На основу количине варница произведених током резања може се утврдити да ли је притисак на ручку током резања адекватан и да ли је постигнута максимална ефикасност рада. Немојте резати силом тако што ћете прекомерно притискати ручку. То може да доведе до смањене ефикасности резања, прераног хабања диска, као и могућег оштећења алата, диска за одсецање или предмета обраде.

Чврсто држите ручку. Укључите алат и сачекајте да диск за одсецање постигне пуну брзину пре него што га лагано спустите у рез. Када диск за одсецање додирне предмет обраде, постепено наложите на ручку да бисте обавили резање. Када завршите са резањем, искључите алат и сачекајте док се диск за одсецање у потпуности не заустави пре него што вратите ручку у крајњи подигнути положај.

## Капацитет резања

Максимални капацитет резања зависи од угла резања и облика предмета обраде.

### Максимални капацитет резања са новим диском за одсецање

Угао резања / Облик предмета обраде	90°	45°
	127 mm (5")	127 mm (5")
	102 x 194 mm (4" x 7-5/8") 70 x 233 mm (2-3/4" x 9-1/8")	115 x 103 mm (4-1/2" x 4-1/16")
	119 x 119 mm (4-11/16" x 4-11/16")	106 x 106 mm (4-3/16" x 4-3/16")
	137 x 137 x 10 mm (5-3/8" x 5-3/8" x 3/8")	100 x 100 x 10 mm (4" x 4" x 3/8")

## Причвршћивање предмета обраде

**ПАЖЊА:** Када причвршћујете предмет обраде увек поставите држач навоја на држач осовине. Ако то не учините, може се десити да предмет обраде не буде довољно причвршћен. То би могло да доведе до избацивања предмета обраде или опасног ломљења диска за одсецање.

Док је држач навоја подигнут плоча стеге се може брзо померати унутра и напоље. Да бисте ухватили предмет обраде, притисните ручку док плоча стеге не додирне предмет обраде, затим вратите држач навоја. Окрените ручку у смеру супротном од казаљке на сату док предмет обраде не буде причвршћен.

► **Слика16:** 1. Ручка 2. Држач навоја 3. Плочица стеге

Када се диск за одсецање озбиљно похаба, иза предмета обраде поставите разделник као што је приказано на слици. Можете ефикасније искористити похабани диск ако за резање предмета обраде употребите средњу тачку спољашњег обода плоче. Као разделник користите чврст и незапаљив материјал.

► **Слика17:** 1. Разделник

При резању предмета обраде ширих од 85 mm (3-3/8") под углом, на плочу за вођење поставите комад дрвета (разделник) дужи од 190 mm (7-1/2") и шири од 45 mm (1-3/4") као што је приказано на слици. Овај разделник причврстите завртњима кроз отворе на плочи за вођење. Постарајте се да диск за одсецање не додирује разделник док је глава алата притиснута.

► **Слика18:** 1. Плоча за вођење 2. Разделник дужи од 190 mm (7-1/2") и шири од 45 mm (1-3/4") 3. Предмет обраде шири од 85 mm (3-3/8") 4. Плочица стеге

► **Слика19**

Када се диск за одсецање похаба, подигните положај за резање подметањем разделника који је мало ужи од предмета за обраду као што је приказано на слици. Ово ће вам помоћи да диск за одсецање користите економично.

► **Слика20:** 1. Плочица стеге 2. Пречник предмета за обраду 3. Плоча за вођење 4. Ширина разделника

Дугачке предмете обраде морају да подупиру блокови са било које стране тако да буду поравнати са горњом плочом постоља. За потпорне блокове користите незапаљив материјал.

► **Слика21:** 1. Потпорни блок

## Ношење алата

Пресавијте главу алата и закључајте је. Држите ручку док носите алат.

**M2402**

► **Слика22**

**M2403**

► **Слика23**

## ОДРЖАВАЊЕ

**ПАЖЊА:** Пре него што почнете с прегледом или одржавањем алата, проверите да ли је алат искључен, а утикач извучен из утичне.

**ОБАВЕШТЕЊЕ:** Никад немојте да користите нафту, бензин, разређивач, алкохол и слична средства. Може доћи до губитка боје, деформације или оштећења.

БЕЗБЕДАН и ПОУЗДАН рад алата гарантујемо само ако поправке, свако друго одржавање или подешавање, препустите овлашћеном сервису компаније Makita или фабричком сервису, уз употребу оригиналних резервних делова компаније Makita.

## Замена угљених четкица

► **Слика24:** 1. Граница истрошености

Редовно проверавајте угљене четкице. Замените их када се истроше до границе истрошености. Одржавајте угљене четкице да би биле чисте и да би ушле у лежишта. Обе угљене четкице треба заменити у исто време. Користите само идентичне угљене четкице.

1. Помоћу одвијача одвртните и скините поклопце држача четкица.

2. Извадите истрошене угљене четкице, ставите нове и затворите поклопце држача четкица.

► **Слика25:** 1. Поклопац држача четкице

## SPECIFICAȚII

Model:		M2402	M2403
Diametrul discului		355 mm	
Grosimea maximă a discului		3 mm	
Diametrul găurii		25,4 mm	
Turație în gol		3.800 min <sup>-1</sup> sau 3.900 min <sup>-1</sup> Turația în gol variază în funcție de țară. Consultați plăcuța de identificare de pe mașină.	
Dimensiuni (L x l x H)	Model cu apărătoare de tip capac frontal + talpă cu o înălțime de 97,0 mm	500 mm x 280 mm x 630 mm	515 mm x 280 mm x 640 mm
	Model cu apărătoare de tip capac frontal + talpă cu o înălțime de 77,0 mm	490 mm x 280 mm x 610 mm	500 mm x 280 mm x 620 mm
	Model cu apărătoare de tip capac central	490 mm x 280 mm x 610 mm	500 mm x 280 mm x 620 mm
Greutate netă	Model cu apărătoare de tip capac frontal + talpă cu o înălțime de 97,0 mm	15,5 kg	15,3 kg
	Model cu apărătoare de tip capac frontal + talpă cu o înălțime de 77,0 mm	14,5 kg	14,3 kg
	Model cu apărătoare de tip capac central	14,0 kg	13,8 kg
Clasa de siguranță		□/II	

- Datorită programului nostru continuu de cercetare și dezvoltare, specificațiile pot fi modificate fără o notificare prealabilă.
- Specificațiile pot varia în funcție de țară.
- Greutatea este specificată conform procedurii EPTA 01/2014

### Destinația de utilizare

Mașina este destinată tăierii materialelor feroase cu un disc abraziv pentru retezat corespunzător. Respectați toate legile și reglementările din țara dvs. privind praful și igiena și protecția muncii în zona de lucru.

### Sursă de alimentare

Mașina trebuie conectată numai la o sursă de alimentare cu curent alternativ monofazat, cu tensiunea egală cu cea indicată pe plăcuța de identificare a mașinii. Acestea au o izolație dublă și, drept urmare, pot fi utilizate de la prize fără împământare.

### Pentru sisteme publice de distribuție a energiei electrice de joasă tensiune între 220 V și 250 V

Operațiile de comutare ale aparatului electric generează fluctuații ale tensiunii. Funcționarea acestui dispozitiv în condiții de alimentare electrică nefavorabile poate afecta funcționarea altor echipamente. Cu o impedanță a rețelei electrice mai mică de 0,25 Ohmi, se poate presupune că nu vor exista efecte negative. Priza de alimentare folosită pentru acest dispozitiv trebuie să fie protejată cu o siguranță fuzibilă sau un întrerupător de protecție cu caracteristică de declanșare lentă.

### Zgomot

Nivelul de zgomot normal ponderat A determinat în conformitate cu EN62841-3-10:

#### Model M2402

Nivel de presiune acustică ( $L_{pA}$ ): 98 dB(A)

Nivel de putere acustică ( $L_{WA}$ ): 108 dB(A)

Marjă de eroare (K): 3,0 dB(A)

#### Model M2403

Nivel de presiune acustică ( $L_{pA}$ ): 99 dB(A)

Nivel de putere acustică ( $L_{WA}$ ): 109 dB(A)

Marjă de eroare (K): 3,0 dB(A)

**NOTĂ:** Valoarea (valorile) totală(e) a (ale) emisiilor de zgomot declarate a(u) fost măsurată(e) în conformitate cu o metodă de test standard și poate (pot) fi utilizată(e) pentru compararea unei unelte cu alta.

**NOTĂ:** Valoarea (valorile) totală(e) a (ale) emisiilor de zgomot declarate poate (pot) fi, de asemenea, utilizată(e) într-o evaluare preliminară a expunerii.

**⚠️AVERTIZARE:** Purtați echipament de protecție pentru urechi.

**⚠️AVERTIZARE:** Emisiile de zgomot în timpul utilizării efective a unelei electrice poate diferi de valoarea (valorile) nivelului declarat, în funcție de modul în care unealta este utilizată, în special ce fel de piesă este prelucrată.

**⚠️AVERTIZARE:** Asigurați-vă că identificați măsurile de siguranță pentru a proteja operatorul, acestea fiind bazate pe o estimare a expunerii în condiții reale de utilizare (luând în considerare toate părțile ciclului de operare, precum timpii în care unealta a fost oprită, sau a funcționat în gol, pe lângă timpul de declanșare).

## Vibrații

Valoarea totală a vibrațiilor (suma vectorilor tri-axiali) determinată conform EN62841-3-10:

### Model M2402

Emisie de vibrații ( $a_n$ ): 4,5 m/s<sup>2</sup>

Marjă de eroare (K): 1,5 m/s<sup>2</sup>

### Model M2403

Emisie de vibrații ( $a_n$ ): 3,5 m/s<sup>2</sup>

Marjă de eroare (K): 1,5 m/s<sup>2</sup>

**NOTĂ:** Valoarea (valorile) totală(e) a (ale) nivelului de vibrații declarat a (au) fost măsurată(e) în conformitate cu o metodă de test standard și poate (pot) fi utilizată(e) pentru compararea unei unele cu alta.

**NOTĂ:** Valoarea (valorile) totală(e) a (ale) nivelului de vibrații declarat poate (pot) fi, de asemenea, utilizată(e) într-o evaluare preliminară a expunerii.

**⚠️AVERTIZARE:** Nivelul de vibrații în timpul utilizării efective a unelei electrice poate diferi de valoarea (valorile) nivelului declarat, în funcție de modul în care unealta este utilizată, în special ce fel de piesă este prelucrată.

**⚠️AVERTIZARE:** Asigurați-vă că identificați măsurile de siguranță pentru a proteja operatorul, acestea fiind bazate pe o estimare a expunerii în condiții reale de utilizare (luând în considerare toate părțile ciclului de operare, precum timpii în care unealta a fost oprită, sau a funcționat în gol, pe lângă timpul de declanșare).

## Declarație de conformitate CE

### Numai pentru țările europene

Declarația de conformitate CE este inclusă ca Anexa A în acest manual de instrucțiuni.

# AVERTIZĂRI DE SIGURANȚĂ

## Avertismente generale de siguranță pentru mașinile electrice

**⚠️AVERTIZARE:** Citiți toate avertismentele privind siguranța, instrucțiunile, ilustrațiile și specificațiile furnizate cu această sculă electrică. Nerespectarea integrală a instrucțiunilor de mai jos poate cauza electrocutări, incendii și/sau vătămări corporale grave.

## Păstrați toate avertismentele și instrucțiunile pentru consultări ulterioare.

Termenul „mașină electrică” din avertizări se referă la mașinile dumneavoastră electrice acționate de la rețea (prin cablu) sau cu acumulator (fără cablu).

## Avertismente de siguranță pentru mașina de tăiat

1. **Atât dumneavoastră cât și persoanele din zonă trebuie să stați departe de planul discului rotativ.** Apărătoarea ajută la protejarea operatorului de fragmentele discului spart și de contactul accidental cu discul.
2. **Utilizați doar discuri abrazive de rețezat ranforsate din material compozit pentru scula dvs. electrică.** Chiar dacă un accesoriu poate fi atașat sculei electrice, operarea în siguranță nu este garantată.
3. **Turația nominală a accesoriului trebuie să fie cel puțin egală cu turația maximă indicată pe scula electrică.** Accesoriile utilizate la o turație superioară celei nominale se pot sparge și împrăștia.
4. **Discurile trebuie utilizate numai pentru aplicațiile recomandate. De exemplu: nu șlefuiți cu părțile laterale ale unui disc abraziv de rețezat.** Discurile abrazive de rețezat sunt create pentru șlefuire periferică, iar forțele aplicate pe părțile laterale ale discurilor pot cauza spargerea acestora.
5. **Folosiți întotdeauna flanșe de disc intacte, cu diametrul adecvat pentru discul selectat.** Flanșele de disc adecvate susțin discul reducând astfel posibilitatea de rupere a acestuia.
6. **Diametrul exterior și grosimea accesoriului dumneavoastră trebuie să se înscrie în capacitatea nominală a sculei electrice.** Accesoriile de dimensiuni incorecte nu pot fi protejate sau controlate în mod corespunzător.
7. **Dimensiunea găurilor pentru ax a discurilor și flanșelor trebuie să corespundă arborelui sculei electrice.** Discurile și flanșele cu găuri pentru ax care nu se potrivesc cu sistemul de montare al sculei electrice vor funcționa dezechilibrat, vor vibra excesiv și pot cauza pierderea controlului.

8. **Nu utilizați discuri deteriorate.** Înainte de fiecare utilizare, inspectați discurile pentru a identifica eventuale deteriorări sau fisuri. Dacă scăpați pe jos scula electrică sau discul, inspectați-le cu privire la deteriorări sau instalați un disc intact. După inspectarea și instalarea unui disc, poziționați-vă împreună cu persoanele din apropiere la distanță de planul discului rotativ și porniți scula electrică la turația maximă de mers în gol timp de un minut. Discurile deteriorate se vor sparge în mod normal pe durata acestui test.
9. **Purtați echipamentul individual de protecție.** În funcție de aplicație, folosiți o mască de protecție, ochelari de protecție sau viziere de protecție. Dacă este cazul, purtați o mască de protecție contra prafului, mijloace de protecție a auzului, mănuși și un șorț de lucru capabil să oprească fragmentele mici abrazive sau fragmentele piesei. Mijloacele de protecție a vederii trebuie să fie capabile să oprească resturile proiectate în aer generate la diverse operații. Maska de protecție contra prafului sau masca respiratorie trebuie să fie capabilă să filtreze particulele generate în timpul operației respective. Expunerea prelungită la zgomot foarte puternic poate provoca pierderea auzului.
10. **Țineți persoanele aflate în zonă la o distanță sigură față de zona de lucru.** Orice persoană care pătrunde în zona de lucru trebuie să poarte echipament individual de protecție. Fragmente de piese prelucrate sau ale unui disc spat pot fi proiectate în jur cauzând vătămări corporale în zona imediat adiacentă zonei de lucru.
11. **Poziționați cablul la distanță de accesorii aflat în rotație.** Dacă pierdeți controlul, cablul poate fi tăiat sau agățat și mâna sau brațul dumneavoastră pot fi trase în discul aflat în rotație.
12. **Curățați în mod regulat fanțele de ventilație ale sculei electrice.** Ventilatorul motorului poate aspira praful în interiorul carcasei, iar acumulările excesive de pulberi metalice pot prezenta pericol de electrocutare.
13. **Nu folosiți scula electrică în apropierea materialelor inflamabile. Nu folosiți scula electrică în timp ce aceasta este așezată pe o suprafață combustibilă, cum ar fi lemnul.** Scânteile pot aprinde aceste materiale.
14. **Nu folosiți accesorii care necesită agenți de răcire lichizi.** Folosirea apei sau a lichidelor de răcire poate cauza electrocutări sau șocuri de tensiune.

#### **Recul și avertismente asociate**

Recul este o reacție bruscă la un disc rotativ agățat sau prins. Înțepenirea sau agățarea provoacă o oprire bruscă a discului rotativ, care, la rândul său, forțează unitatea de tăiere scăpată de sub control în sus, către utilizator. De exemplu, dacă o roată abrazivă se înțepenește sau se agață în piesa de prelucrat, muchia discului care pătrunde în punctul de blocare poate săpa în suprafața materialului cauzând urcarea sau proiectarea înapoi a discului. De asemenea, roțile abrazive se pot rupe în aceste condiții. Reculul este rezultatul utilizării incorecte a sculei electrice și/sau al procedeeelor sau condițiilor de lucru necorespunzătoare, putând fi evitat prin adoptarea unor măsuri de precauție adecvate prezentate în continuare.

1. **Mențineți o priză fermă pe scula electrică și poziționați-vă corpul și brațele astfel încât să contracarați forțele de recul.** Utilizatorul poate controla forțele de recul vertical, dacă își ia măsurile de precauție adecvate.
2. **Nu vă poziționați corpul în linie cu discul aflat în rotație.** Dacă are loc reculul, acesta va împinge unitatea de tăiere vertical către utilizator.
3. **Nu atașați o pânză de ferăstrău cu lanț pentru scobirea lemnului, un disc diamant segmentat cu un spațiu periferic mai mare de 10 mm sau o pânză de ferăstrău dințată.** Astfel de pânze pot crea reculuri frecvente și pierderea controlului.
4. **Nu „înțepeniți” discul și nici nu aplicați o presiune excesivă. Nu încercați să executați o adâncime excesivă a tăieturii.** Supratensionarea discului mărește sarcina și susceptibilitatea de a torsiona sau a de a înțepeni discul în tăietură și posibilitatea de recul sau de spargere a discului.
5. **Atunci când discul este înțepenit sau când este întrerupt o tăiere din orice motiv, opriți unitatea de tăiere și țineți-o nemișcată până când discul se oprește complet. Nu încercați niciodată să scoateți discul din tăietură în timp ce acesta este în mișcare, în caz contrar, poate apărea reculul.** Investigați și efectuați acțiunile corective pentru a elimina cauza înțepenirii discului.
6. **Nu reporniți operația de tăiere în piesa de prelucrat. Lăsați discul să ajungă la viteza maximă și pătrundeți din nou cu atenție în tăietură.** Roata se poate înțepeni, se poate deplasa în sus sau poate provoca un recul dacă scula electrică este repornită în piesa de lucru.
7. **Sprijiți orice piesă de prelucrat de dimensiuni mari pentru a minimiza riscul de înțepenire și recul al discului.** Piese de prelucrat mari tind să se încovoie sub propria greutate. Sub piesa de prelucrat trebuie amplasate suporturi lângă linia de tăiere și lângă marginea piesei de prelucrat, pe ambele părți ale discului.

#### **Avertismente suplimentare privind siguranța**

1. **Aveți grijă la scânteii în timpul lucrului.** Acestea pot provoca vătămări sau aprinderea materialelor inflamabile.
2. **Asigurați piesa de prelucrat. Folosiți un dispozitiv de strângere sau o menhință pentru fixarea piesei de prelucrat atunci când este posibil.** Este mai sigur decât folosirea mâinii și vă eliberează ambele mâini pentru a putea opera mașina.
3. **Fixați cu atenție discul abraziv de retezat.**
4. **Aveți grijă să nu deteriorați arborele, flanșele (în special suprafața de montaj) sau șurubul, altfel existând riscul de rupere a discului abraziv de retezat.**
5. **Păstrați apărătoarele montate și în stare de funcționare.**
6. **Țineți mânerul ferm.**
7. **Nu atingeți piesele în mișcare.**
8. **Asigurați-vă că discul abraziv de retezat nu intră în contact cu piesa de prelucrat înainte de a conecta comutatorul.**

9. Înainte de fiecare utilizare, încercați să identificați orice oscilație sau vibrație excesivă care ar putea fi cauzate de o instalare inadecvată sau un disc neechilibrat.
10. Îndepărtați din zonă materialele sau resturile care ar putea fi aprinse de scânteii. Asigurați-vă că nu se află nicio persoană în calea scânteilor. Păstrați la îndemână un extingtor corespunzător încărcat.
11. Dacă discul abraziv de retezat se oprește în timpul operației, dacă emite un zgomot neobișnuit sau începe să vibreze, opriți mașina imediat.
12. Opriți întotdeauna mașina și așteptați ca discul abraziv de retezat să se oprească complet înainte de a scoate sau fixa piesa de prelucrat sau menghina, înainte de a schimba poziția de lucru, unghiul de lucru sau discul abraziv de retezat propriu-zis.
13. Nu atingeți piesa prelucrată imediat după executarea lucrării; aceasta este extrem de fierbinte și poate provoca arsuri ale pielii.
14. Depozitați discurile numai într-un spațiu uscat.

## PĂSTRAȚI ACESTE INSTRUCȚIUNI.

### INSTALARE

**AVERTIZARE:** Această mașină produce scântei în timpul tăierii unei piese de lucru. Nu instalați mașina în locuri în care materialele inflamabile și/sau explozive ar putea lua foc de la scânteiile generate de mașină. De asemenea, asigurați-vă că nu există astfel de materiale în jurul mașinii înainte de a începe operațiunile.

### Asigurarea bazei

Această mașină trebuie bulonată cu două bolțuri pe o suprafață plană și stabilă folosind găurile de bulonare prevăzute în talpa mașinii. Aceasta va ajuta la prevenirea răsturnării și a posibilelor vătămări corporale.

► Fig.1: 1. Găuri pentru bolțuri 2. Talpă

## DESCRIEREA FUNCȚIILOR

**ATENȚIE:** Asigurați-vă că ați oprit mașina și că ați deconectat-o de la rețea înainte de a o regla sau de a verifica starea sa de funcționare.

### Deblocarea/blocarea capului mașinii

Capul mașinii poate fi blocat.

În timpul utilizării, scoateți lanțul de blocare din cârlig. Atunci când nu este utilizată sau transportată, introduceți întotdeauna lanțul de blocare în cârlig.

M2402

► Fig.2: 1. Cârlig 2. Lanț de blocare

M2403

► Fig.3: 1. Cârlig 2. Lanț de blocare

### Aționarea întrerupătorului

**AVERTIZARE:** Înainte de a conecta mașina la rețea, verificați dacă butonul declanșator funcționează corect și dacă revine la poziția „OFF” (oprit) atunci când este eliberat.

M2402

► Fig.4: 1. Buton de blocare/buton de deblocare  
2. Buton declanșator

M2403

► Fig.5: 1. Buton de blocare/buton de deblocare  
2. Buton declanșator

### Pentru mașinile cu buton de blocare

**ATENȚIE:** Comutatorul poate fi blocat în poziția „ON” (pornire) pentru confortul utilizatorului în timpul utilizării prelungite. Acordați atenție atunci când blocați mașina în poziția „ON” (pornire) și țineți mașina ferm.

Pentru a porni mașina, trageți de butonul declanșator. Eliberați butonul declanșator pentru a opri mașina. Pentru funcționare continuă, trageți butonul declanșator, apoi apăsați butonul de blocare și eliberați butonul declanșator. Pentru a opri mașina din poziția blocată, trageți complet butonul declanșator și apoi eliberați-l.

### Pentru mașinile cu buton de deblocare

**AVERTIZARE:** Nu dezactivați NICIODATĂ butonul de deblocare prin fixare cu bandă sau prin alte mijloace. Un comutator de deblocare anulat poate duce la operarea accidentală, cauzând potențiale leziuni grave.

**AVERTIZARE:** Nu utilizați NICIODATĂ mașina dacă aceasta pornește la simpla apăsare a butonului declanșator, fără a apăsa butonul de deblocare. Un comutator defect poate duce la operarea accidentală, cauzând leziuni grave. Returnați mașina la un centru de service Makita pentru efectuarea reparațiilor corespunzătoare ÎNAINTE de a continua utilizarea acesteia.

Pentru a preveni acționarea accidentală a butonului declanșator, este prevăzut un buton de deblocare. Pentru a porni mașina, apăsați butonul de deblocare și trageți butonul declanșator. Eliberați butonul declanșator pentru a opri mașina.

**NOTĂ:** Nu apăsați puternic butonul declanșator fără a apăsa butonul de deblocare. Comutatorul se poate rupe.

## Intervalul dintre menghină și placa de ghidare

**ATENȚIE:** După reglarea intervalului dintre menghină și placa de ghidare, asigurați-vă că placa de ghidare este fixată corespunzător. Fixarea insuficientă poate cauza răniri grave.

**ATENȚIE:** Rețineți că piesele înguste nu pot fi fixate sigur dacă folosiți cele două intervale mai largi.

Sunt disponibile următoarele setări interval pentru menghină:

- 0 - 170 mm (0" - 6-11/16") (setare originală)
- 35 - 205 mm (1-3/8" - 8-1/16")
- 70 - 240 mm (2-3/4" - 9-7/16")

Dacă munca desfășurată necesită alte setări, urmați pașii de mai jos pentru reglarea intervalului de spațiu.

Scoateți cele două șuruburi cu cap hexagonal folosind o cheie hexagonală. Deplasați placa de ghidare în poziția dorită, apoi fixați-o cu șuruburile cu cap hexagonal.

- **Fig.6:** 1. Cheie imbus 2. Placă de ghidare  
3. Șuruburi cu cap hexagonal

## Reglarea unghiului de tăiere

**ATENȚIE:** După reglarea unghiului plăcii de ghidare, asigurați-vă că placa de ghidare este fixată corespunzător. Fixarea insuficientă poate cauza răniri grave.

**ATENȚIE:** Când efectuați o tăiere oblică cu mașina cu placa opritoare, fixați întotdeauna placa de ghidare în poziția 0 - 170 mm (0" - 6-11/16"). Fixarea în poziția 35 - 205 mm (1-3/8" - 8-1/16") sau 70 - 240 mm (2-3/4" - 9-7/16") împiedică mișcarea plăcii opritoare, ceea ce conduce la o tăiere necorespunzătoare.

**ATENȚIE:** Nu utilizați mașina atunci când materialul nu este fixat ferm cu menghina, din cauza unghiului de tăiere.

Slăbiți cele două șuruburi cu cap hexagonal folosind o cheie hexagonală. Rotiți placa de ghidare la unghiul dorit, apoi fixați-o cu șuruburile cu cap hexagonal. Aveți grijă să nu deplasați unghiul setat în timp ce fixați șuruburile cu cap hexagonal.

- **Fig.7:** 1. Placă de ghidare 2. Șuruburi cu cap hexagonal

**NOTĂ:** Gradarea de pe placa de ghidare este numai o aproximație. Pentru un unghi mai exact, folosiți un raportor sau un echer. Țineți mânerul jos astfel încât discul abraziv pentru retezat să se extindă în talpă. În același timp, reglați unghiul dintre placa de ghidare și discul abraziv pentru retezat cu un raportor sau un echer.

## Reglarea apărătorii pentru scânteii

Apărătoarea pentru scânteii este instalată din fabrică cu muchia sa inferioară în contact cu talpa. Utilizarea mașinii în această poziție va provoca împrăștierea unui număr mare de scânteii. Slăbiți șurubul și reglați apărătoarea pentru scânteii într-o poziție în care numărul scânteilor să fie minim. Tipul apărătorii pentru scânteii variază în funcție de țară.

- **Fig.8:** 1. Șurub 2. Apărătoare pentru scânteii

## Placă opritoare

### Diferă în funcție de țară

Placa opritoare împiedică contactul discului abraziv de retezat cu masa de lucru sau podeaua. Când se montează un disc abraziv de retezat nou, setați placa opritoare în poziția (A). După ce discul abraziv de retezat se umezește până în punctul în care secțiunea inferioară a piesei de lucru rămâne netăiată, setați placa opritoare în poziția (B) pentru a permite creșterea capacității de tăiere cu un disc abraziv de retezat uzat.

- **Fig.9:** 1. Placă opritoare

## ASAMBLARE

**ATENȚIE:** Asigurați-vă că ați oprit mașina și că ați deconectat-o de la rețea înainte de a efectua vreo intervenție asupra mașinii.

## Deschiderea apărătorii

### Deschiderea apărătorii de tip capac frontal

Ridicați apărătoarea cu mâna.

- **Fig.10:** 1. Apărătoare

### Deschiderea apărătorii de tip capac central

Mai întâi, slăbiți șurubul de strângere, apoi ridicați apărătoarea.

- **Fig.11:** 1. Șurub de strângere

## Demontarea sau montarea discului abraziv de retezat

**ATENȚIE:** Aveți grijă să strângeți ferm șurubul cu cap hexagonal. Strângerea insuficientă poate provoca vătămări corporale grave. La strângerea șurubului hexagonal, folosiți cheia hexagonală furnizată împreună cu mașina, pentru a asigura o strângere corespunzătoare.

**ATENȚIE:** Folosiți întotdeauna numai flanșele interioare și exterioare adecvate care sunt livrate cu mașina.

**ATENȚIE:** Coborâți întotdeauna apărătoarea după înlocuirea discului.

**ATENȚIE:** Purtați mănuși când manevrați discurile.

Ridicați apărătoarea. Rotiți șurubul cu cap hexagonal spre stânga folosind o cheie hexagonală în timp ce mențineți apăsată pârghia de blocare a axului. Apoi îndepărtați șurubul cu cap hexagonal, șaiba, flanșa exterioră și discul.

► **Fig.12:** 1. Pârghie de blocare a axului 2. Șurub cu cap hexagonal

► **Fig.13:** 1. Flanșă interioară 2. Inel 3. Garnitură inelară 4. Disc de retezat ranforsat din material compozit (disc abraziv de retezat) 5. Flanșă exterioră 6. Șaibă 7. Bolț cu cap hexagonal

Pentru a monta discul, executați în ordine inversă operațiile de demontare. Asigurați-vă că gaura discului abraziv de retezare se potrivește perfect la inel și puneți la loc apărătoarea.

## Depozitarea cheii imbus

Atunci când nu este utilizată, depozitați cheia imbus după cum se vede în figură pentru a nu se pierde.

**M2402**

► **Fig.14:** 1. Cheie imbus

**M2403**

► **Fig.15:** 1. Cheie imbus

## OPERAREA

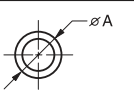
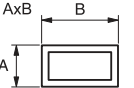
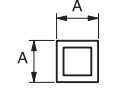
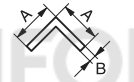
**⚠ATENȚIE:** Apăsarea corespunzătoare a mânerului și eficiența maximă a tăierii pot fi determinate prin numărul de scântei produse în timpul tăierii. Nu forțați tăierea prin aplicarea unei presiuni excesive asupra mânerului. Efectele ar putea fi o eficiență scăzută a tăierii, uzare prematură a discului, precum și posibile deteriorări ale mașinii, discului abraziv de retezat sau piesei de prelucrat.

Țineți mânerul ferm. Porniți mașina și așteptați până când discul abraziv de retezat atinge viteza maximă înainte de a o coborî lent în tăietură. Când discul abraziv de retezat atinge piesa de prelucrat, apăsați gradual pe mâner pentru a executa tăierea. După finalizarea tăierii, opriți mașina și așteptați până când discul abraziv de retezat se oprește complet înainte de a readuce discul în poziția complet ridicată.

## Capacitate de debitare

Capacitatea maximă de debitare diferă în funcție unghiul de tăiere și forma piesei de prelucrat.

### Capacitate maximă de debitare cu un disc abraziv de retezare nou

Unghi de debitare / Forma piesei	90°	45°
	127 mm (5")	127 mm (5")
	102 x 194 mm (4" x 7-5/8") 70 x 233 mm (2-3/4" x 9-1/8")	115 x 103 mm (4-1/2" x 4-1/16")
	119 x 119 mm (4-11/16" x 4-11/16")	106 x 106 mm (4-3/16" x 4-3/16")
	137 x 137 x 10 mm (5-3/8" x 5-3/8" x 3/8")	100 x 100 x 10 mm (4" x 4" x 3/8")

## Fixarea piesei de prelucrat

**⚠ATENȚIE:** Amplasați întotdeauna suportul axului pe axul pârghiei când fixați o piesă de lucru. În caz contrar este posibil ca piesa de prelucrat să nu fie fixată suficient. Aceasta poate provoca ejectarea piesei sau ruperea periculoasă a discului abraziv de retezat.

În timp ce suportul axului este ridicat, placa menghinei poate glisa înainte și înapoi rapid. Pentru a prinde o piesă de lucru, apăsați mânerul până când placa menghinei lovește piesa de lucru, apoi puneți la loc suportul axului. Rotiți mânerul în sens orar până când piesa de lucru este fixată corespunzător.

► **Fig.16:** 1. Mâner 2. Suport ax 3. Placa menghinei

Când discul abraziv de retezat s-a uzat considerabil, folosiți un bloc distanțier în spatele piesei, după cum se vede în figură. Puteți utiliza mai eficient discul uzat prin folosirea punctului median de pe periferia discului pentru a tăia piesa. Folosiți un material rigid neinflamabil pe post de bloc distanțier.

► **Fig.17:** 1. Bloc distanțier

Când tăiați piese de peste 85 mm (3-3/8") lățime sub un unghi, atașați o bucată dreaptă de lemn (distanțier) de peste 190 mm (7-1/2") lungime x 45 mm (1-3/4") lățime la placa de ghidare după cum se vede în figură. Fixați acest distanțier cu șuruburi prin găurile din placa de ghidare. Asigurați-vă că discul abraziv de retezare nu intră în contact cu distanțierul când capul mașinii este apăsat.

► **Fig.18:** 1. Placă de ghidare 2. Bloc distanțier de peste 190 mm (7-1/2") lungime x 45 mm (1-3/4") lățime 3. Piesă de lucru de peste 85 mm (3-3/8") lățime 4. Placa menghinei



► Fig.19

După ce discul abraziv de retezat s-a uzat, ridicați poziția de tăiere punând un bloc distanțier puțin mai îngust decât piesa de lucru, după cum se vede în figură. Acest lucru va ajuta la utilizarea economică a discului abraziv de retezat.

► Fig.20: 1. Placa menghinei 2. Diametrul piesei de lucru 3. Placă de ghidare 4. Lățimea blocului distanțier

Piesele lungi trebuie sprijinite pe fiecare parte cu blocuri astfel încât să fie la același nivel cu suprafața tălpii. Folosiți numai materiale neinflamabile pe post de blocuri susținere.

► Fig.21: 1. Bloc de susținere

## Transportarea mașinii

Pliati și blocați capul mașinii. În timpul transportului apucați mașina de mâner.

M2402

► Fig.22

M2403

► Fig.23

## ÎNTREȚINERE

**⚠ATENȚIE:** Asigurați-vă că ați oprit mașina și că ați deconectat-o de la rețea înainte de a efectua operațiuni de inspecție sau întreținere.

**NOTĂ:** Nu utilizați niciodată gazolină, benzină, diluant, alcool sau alte substanțe asemănătoare. În caz contrar, pot rezulta decolorări, deformări sau fisuri.

Pentru a menține SIGURANȚA și FIABILITATEA produsului, reparațiile și orice alte lucrări de întreținere sau reglare trebuie executate de centre de service Makita autorizate sau proprii, folosind întotdeauna piese de schimb Makita.

## Înlocuirea periiilor de cărbune

► Fig.24: 1. Marcaj limită

Verificați periiile de cărbune în mod regulat. Înlocuiți-le atunci când s-au uzat până la marcajul limită. Periiile de cărbune trebuie să fie în permanență curate și să alunece cu ușurință în suport. Ambele perii de cărbune trebuie înlocuite simultan. Folosiți numai perii de cărbune identice.

1. Folosiți o șurubelniță pentru a demonta capacele suporturilor pentru perii.
2. Scoateți periiile de carbon uzate, introduceți periiile noi și fixați capacul pentru periiile de cărbune.

► Fig.25: 1. Capacul suportului pentru perii

## ТЕХНІЧНІ ХАРАКТЕРИСТИКИ

Модель:		M2402	M2403
Діаметр диска		355 мм	
Макс. товщина круга		3 мм	
Діаметр отвору		25,4 мм	
Частота обертів без навантаження		3 800 хв <sup>-1</sup> або 3 900 хв <sup>-1</sup> Частота обертів без навантаження може відрізнятися залежно від країни. Див. паспортну табличку на інструменті.	
Розміри (Д × Ш × В)	Модель із захисним кожухом із кришкою спереду + основа висотою 97,0 мм	500 мм × 280 мм × 630 мм	515 мм × 280 мм × 640 мм
	Модель із захисним кожухом із кришкою спереду + основа висотою 77,0 мм	490 мм × 280 мм × 610 мм	500 мм × 280 мм × 620 мм
	Модель із захисним кожухом із центральною заглишкою	490 мм × 280 мм × 610 мм	500 мм × 280 мм × 620 мм
Маса нетто	Модель із захисним кожухом із кришкою спереду + основа висотою 97,0 мм	15,5 кг	15,3 кг
	Модель із захисним кожухом із кришкою спереду + основа висотою 77,0 мм	14,5 кг	14,3 кг
	Модель із захисним кожухом із центральною заглишкою	14,0 кг	13,8 кг
Клас безпеки		II	

- Оскільки наша програма наукових досліджень і розробок триває безперервно, наведені тут технічні характеристики можуть бути змінені без попередження.
- У різних країнах технічні характеристики можуть бути різними.
- Маса відповідно до EPTA-Procedure 01/2014

### Призначення

Інструмент призначено для різання чорного металу за допомогою відповідного абразивного відрізного круга. Дотримуйтеся всіх законів і нормативно-правових актів, що діють у вашій країні, щодо безпеки та охорони здоров'я під час перебування на робочих місцях і заповнених територіях.

### Джерело живлення

Інструмент можна підключати лише до джерела живлення, що має напругу, зазначену в таблиці із заводськими характеристиками, і він може працювати лише від однофазного джерела змінного струму. Він має подвійну ізоляцію, а отже може також підключатися до розеток без лінії заземлення.

### Для використання від низьковольтної мережі від 220 В до 250 В

Увімкнення та вимкнення електричного приладу спричиняє коливання напруги. Експлуатація цього пристрою за несприятливих умов мережі може погано вплинути на роботу іншого обладнання. Можна припустити, що при опорі мережі 0,25 Ом або нижче ніякого негативного впливу не буде. Мережна розетка, до якої буде підключатися пристрій, повинна бути захищена запобіжником або захисним автоматичним вимикачем плавного розчіплювання.

### Шум

Рівень шуму за шкалою А в типовому виконанні, визначений відповідно до стандарту EN62841-3-10:

#### Модель M2402

Рівень звукового тиску ( $L_{pA}$ ): 98 дБ (А)  
Рівень звукової потужності ( $L_{WA}$ ): 108 дБ (А)  
Похибка (К): 3,0 дБ (А)

#### Модель M2403

Рівень звукового тиску ( $L_{pA}$ ): 99 дБ (А)  
Рівень звукової потужності ( $L_{WA}$ ): 109 дБ (А)  
Похибка (К): 3,0 дБ (А)

**ПРИМІТКА:** Заявлене значення шуму було виміряно відповідно до стандартних методів тестування й може використовуватися для порівняння одного інструмента з іншим.

**ПРИМІТКА:** Заявлене значення шуму може також використовуватися для попереднього оцінювання впливу.

**⚠ПОПЕРЕДЖЕННЯ:** Користуйтеся засобами захисту органів слуху.

**⚠ПОПЕРЕДЖЕННЯ:** Залежно від умов використання рівень шуму під час фактичної роботи електроінструмента може відрізнятися від заявленого значення вібрації; особливо сильно на це впливає тип деталі, що оброблюється.

**⚠ПОПЕРЕДЖЕННЯ:** Забезпечте належні запобіжні заходи для захисту оператора, що відповідатимуть умовам використання інструмента (слід брати до уваги всі складові робочого циклу, як-от час, коли інструмент вимкнено та коли він починає працювати на холостому ході під час запуску).

## Вібрація

Загальна величина вібрації (векторна сума трьох напрямків) визначена згідно з EN62841-3-10:

**Модель M2402**

Вібрація ( $a_h$ ): 4,5 м/с<sup>2</sup>

Похибка (K): 1,5 м/с<sup>2</sup>

**Модель M2403**

Вібрація ( $a_h$ ): 3,5 м/с<sup>2</sup>

Похибка (K): 1,5 м/с<sup>2</sup>

**ПРИМІТКА:** Заявлене загальне значення вібрації було виміряно відповідно до стандартних методів тестування й може використовуватися для порівняння одного інструмента з іншим.

**ПРИМІТКА:** Заявлене загальне значення вібрації може також використовуватися для попереднього оцінювання впливу.

**⚠ПОПЕРЕДЖЕННЯ:** Залежно від умов використання вібрація під час фактичної роботи електроінструмента може відрізнятися від заявленого значення вібрації; особливо сильно на це впливає тип деталі, що оброблюється.

**⚠ПОПЕРЕДЖЕННЯ:** Забезпечте належні запобіжні заходи для захисту оператора, що відповідатимуть умовам використання інструмента (слід брати до уваги всі складові робочого циклу, як-от час, коли інструмент вимкнено та коли він починає працювати на холостому ході під час запуску).

## Декларація про відповідність стандартам ЄС

*Тільки для країн Європи*

Декларацію про відповідність стандартам ЄС наведено в Додатку А до цієї інструкції з експлуатації.

# ПОПЕРЕДЖЕННЯ ПРО ДОТРИМАННЯ ТЕХНІКИ БЕЗПЕКИ

## Загальні застереження щодо техніки безпеки при роботі з електроінструментами

**⚠ПОПЕРЕДЖЕННЯ:** Уважно ознайомтеся з усіма попередженнями про дотримання правил техніки безпеки, інструкціями, ілюстраціями та технічними характеристиками, що стосуються цього електроінструмента. Невиконання будь-яких інструкцій, перелічених нижче, може призвести до ураження електричним струмом, пожежі та/або тяжких травм.

## Збережіть усі інструкції з техніки безпеки та експлуатації на майбутнє.

Термін «електроінструмент», зазначений у інструкції з техніки безпеки, стосується електроінструмента, який функціонує від електромережі (електроінструмент з кабелем живлення), або електроінструмента з живленням від батареї (безпроводний електроінструмент).

## Попередження про необхідну обережність під час роботи з відрізним інструментом

1. Працуйте з інструментом так, щоб ані ви, ані інші особи не знаходились у площині обертання круга. Захисний кожух захищає оператора від осколків зламаного круга та випадкового контакту з кругом.
2. Використовуйте лише армовані відрізни круги зі зв'язкою, призначені для вашого електроінструмента. Навіть якщо приладдя можна приєднати до електроінструмента, це не гарантує безпечної експлуатації.
3. Номінальна швидкість приладдя повинна щонайменше дорівнювати максимальній швидкості, яка вказана на електроінструменті. Приладдя, що обертається зі швидкістю, більшою за номінальну, може зламатися та відскочити.
4. Круги необхідно використовувати тільки за рекомендованим призначенням. Наприклад, не можна шліфувати бічною стороною відрізного круга. Абразивні відрізни круги призначені для шліфування периферією круга; у разі докладання бічних зусиль до цих кругів вони можуть розколотися.
5. Обов'язково використовуйте неушкоджені фланці кругів, діаметр яких відповідає вибраному кругу. Правильно підібрані фланці добре підтримують круг і таким чином зменшують імовірність його поломки.

6. **Зовнішній діаметр і товщина приладдя повинні бути в межах номінальних характеристик електроінструмента.** Приладдя не належних розмірів не можна захистити або контролювати належним чином.
7. **Розмір отворів кругів і фланців повинен відповідати шпindelю електроінструмента.** Використання кругів і фланців з отворами, що не відповідають кріпленню електроінструмента, призводить до втрати балансу, надмірної вібрації та може спричинити втрату контролю.
8. **Не можна використовувати пошкоджені круги.** Перед кожним використанням перевіряйте круги на наявність стружки та тріщин. У разі падіння електроінструмента або круга огляньте їх на наявність пошкоджень або встановіть неушкоджений круг. Після огляду та встановлення круга займіть таке положення, щоб ви та сторонні особи знаходилися на відстані від круга, що обертається, після чого запустіть електроінструмент на максимальній швидкості без навантаження на одну хвилину. Під час такого пробного запуску пошкоджені круги зазвичай розпадаються на частини.
9. **Використовуйте засоби індивідуального захисту.** Залежно від сфери застосування необхідно користуватися захисним щитком або захисними окулярами. За необхідності носіть пілозахисну маску, засоби захисту органів слуху, рукавиці та фартух, які здатні затримувати дрібні частинки абразивного матеріалу або деталей. Засоби захисту органів зору повинні бути здатними затримувати уламки, що утворюються під час виконання різних операцій. Пілозахисна маска або респіратор повинні фільтрувати частинки, що утворюються під час роботи. Тривала дія сильного шуму може призвести до втрати слуху.
10. **Сторонні особи повинні знаходитися на безпечній відстані від місця роботи.** Кожна особа, яка входить до робочої зони, має носити засоби індивідуального захисту. Частинки деталі або уламки круга можуть відлетіти за межі безпосередньої зони роботи та спричинити травмування.
11. **Шнур має знаходитися на відстані від приладдя, що обертається.** Якщо втратити контроль, може статися перерізання або пошкодження шнура, і руку може затягнути до круга, що обертається.
12. **Регулярно очищуйте вентиляційні отвори електроінструмента.** Вентилятор двигуна може втягти пил усередину кожуха, а надмірне скупчення металевого порошку створює ризик ураження електричним струмом.
13. **Не можна працювати з електроінструментом поблизу легкозаймистих матеріалів.** Не працюйте з електроінструментом, розміщеним на займистій поверхні, наприклад на деревині. Ці матеріали можуть спалахнути від іскри.
14. **Не можна використовувати приладдя, що потребує застосування охолоджувальних рідин.** Використання води або інших охолоджувальних рідин може призвести до ураження електричним струмом.

#### **Віддача та відповідні попередження**

Віддача — це раптова реакція на защемлення або чіплення круга, що обертається. Защемлення або чіплення призводять до швидкої зупинки круга, що обертається, і це у свою чергу призводить до того, що неконтрольований відрізний прилад почне примусово рухатися вгору, до оператора. Наприклад, якщо абразивний круг защемлений або зачеплений деталлю, край круга, що входить до місця защемлення, може ввійти в поверхню матеріалу, що призведе до відскоку круга або віддачі. За таких умов абразивні круги можуть також зламатися. Причинами віддачі є неправильне користування електроінструментом і/або неправильні умови чи порядок експлуатації; її можна уникнути, уживши запобіжних заходів, зазначених нижче.

1. **Міцно тримайте електроінструмент і займіть таке положення, яке дозволить вам опиратися силі віддачі.** Оператор зможе контролювати силу віддачі вгору, якщо вжити належних заходів.
2. **Не допускайте розташування тіла на одній лінії з кругом, що обертається.** У разі віддачі відрізний прилад рухатиметься вгору, до оператора.
3. **Не використовуйте з цим інструментом ланцюг для пили, диск для різання деревини, сегментований алмазний диск із зазором більше 10 мм або зубчатий диск пили.** Такі круги часто спричиняють віддачу та втрату контролю.
4. **Не можна «заклиновувати» круг або піддавати його надмірному тиску.** Не намагайтеся зроби́ти розріз надмірної глибини. Надмірний тиск на круг збільшує навантаження та ризик перекошування або заклиновання круга в розрізі, а також створює можливість віддачі або поломки круга.
5. **Якщо круг застрягне або різання буде перервано з будь-якої причини, вимкніть електроінструмент й утримуйте відрізний прилад нерухомо до повної зупинки круга.** Ні в якому разі не намагайтеся витягнути круг із розрізу, поки він рухається; недотримання цієї вимоги може призвести до віддачі. Огляньте круг і вживте необхідних заходів, щоб усунути причину його заклиновання.
6. **Заборононо заново починати операцію різання, коли круг знаходиться в робочій деталі.** Спочатку круг повинен набрати повну швидкість, лише потім його можна обережно заново ввести в розріз. Якщо електроінструмент перезапустити, коли круг знаходиться в робочій деталі, круг може застрягти, сіпнутися або спричинити віддачу.
7. **Необхідно підтримувати будь-які деталі великого розміру, щоб мінімізувати ризик защемлення круга або виникнення віддачі.** Великі робочі деталі зазвичай прогинаються під власною вагою. Опори необхідно розташовувати під робочою деталлю поблизу лінії різання та поблизу краю робочої деталі з обох боків круга.

Додаткові попередження про необхідну обережність

1. Під час роботи остерігайтесь розлітання іскор. Вони можуть призвести до травми або займання горючого матеріалу.
2. Закріплюйте заготовку. Якщо це доцільно з практичної точки зору, застосовуйте для утримання заготовки затискачі або лещата. Це забезпечить більш надійну фіксацію заготовки, аніж тримання її рукою, і звільнить обидві руки для застосування інструмента.
3. Будьте обережні під час кріплення відрізного круга.
4. Будьте обережні, щоб не пошкодити шпindel, фланці (особливо поверхню встановлення) або болт, інакше сам відрізний круг може зламатися.
5. Тримайте захисні кожухи в робочому положенні та в робочому стані.
6. Слід міцно триматися за ручку.
7. Не торкайтесь руками деталей, що обертаються.
8. Перед увімкненням перемикача переконайтеся, що відрізний круг не торкається деталі.
9. Перед кожним використанням перевірте інструмент щодо деренчання або надмірну вібрацію, яка може бути спричинена неправильним установленням або балансуванням круга.
10. Приберіть матеріал або сміття, які можуть зайнятися від іскри. Переконайтеся, що іскри, розлітаючись, не травмують інших людей. Поблизу завжди повинен бути належний заповнений вогнегасник.
11. Якщо під час роботи відрізний круг зупиняється, видає незвичні звуки або починає вібрувати, негайно вимкніть інструмент.
12. Перш ніж знімати, кріпити деталь, працювати з лещатами, змінювати робоче положення, кут або сам відрізний круг, обов'язково вимкніть інструмент і дочекайтеся повного зупинення круга.
13. Не торкайтесь деталі одразу після різання: вона може бути дуже гарячою та призвести до опіку шкіри.
14. Зберігайте диски тільки в сухому приміщенні.

## ЗБЕРІГАЙТЕ ЦІ ВКАЗІВКИ.

### ВСТАНОВЛЕННЯ

**▲ПОПЕРЕДЖЕННЯ:** Під час різання деталі цей інструмент створює іскри. Не встановлюйте цей інструмент у місцях, де можливе займання горючих і/чи вибухонебезпечних матеріалів від іскор, утворюваних інструментом. До початку роботи також перевірте, що біля інструмента немає матеріалів такого типу.

### Кріплення основи

Цей інструмент кріпиться двома болтами до рівної та стійкої поверхні через болтові отвори, які є в основі інструмента. Це допоможе уникнути перекидання та можливого нещасного випадку.

► Рис.1: 1. Отвори під болти 2. Основа

## ОПИС РОБОТИ

**▲ОБЕРЕЖНО:** Перед тим як регулювати або перевіряти функціональність інструмента, обов'язково переконайтеся, що інструмент вимкнено й від'єднано від електромережі.

### Блокування та розблокування головної частини інструмента

Головну частину інструмента можна заблокувати. Під час застосування зніміть з гака блокувальний ланцюг. Якщо інструмент не використовується або наразі транспортується, обов'язково зачепіть блокувальний ланцюг за гак.

M2402

► Рис.2: 1. Гачок 2. Блокувальний ланцюг

M2403

► Рис.3: 1. Гачок 2. Блокувальний ланцюг

### Дія вимикача

**▲ПОПЕРЕДЖЕННЯ:** Перед тим як підключити інструмент до мережі, обов'язково переконайтеся, що курок вимикача належним чином спрацьовує та повертається в положення «ВИМК.», коли його відпускають.

M2402

► Рис.4: 1. Кнопка блокування / кнопка блокування вимкненого положення 2. Курок вимикача

M2403

► Рис.5: 1. Кнопка блокування / кнопка блокування вимкненого положення 2. Курок вимикача

### Для інструмента з кнопкою блокування

**▲ОБЕРЕЖНО:** Вимикач можна заблокувати в положенні «увімкнено» для зручності оператора в разі тривалого використання. У разі блокування інструмента в положенні «увімкнено» слід бути особливо обережним та міцно тримати інструмент.

Щоб увімкнути інструмент, просто натисніть на курок вимикача. Щоб зупинити роботу, відпустіть курок вимикача. Для неперервної роботи натисніть на курок вимикача, потім натисніть кнопку блокування та відпустіть курок вимикача. Щоб зупинити інструмент, який заблоковано, натисніть курок до кінця, а потім відпустіть його.

## Для інструмента із кнопкою блокування вимкненого положення

**▲ПОПЕРЕДЖЕННЯ:** ЗАБОРОНЕНО змінювати стан кнопки блокування вимкненого положення шляхом її затискання за допомогою стрічки або будь-яким іншим чином. Використання вмикача з несправною кнопкою блокування вимкненого положення може призвести до ненавмисного увімкнення та серйозних травм.

**▲ПОПЕРЕДЖЕННЯ:** ЗАБОРОНЕНО користуватися інструментом, якщо він вмикається простим натисканням курка вмикача без натискання кнопки блокування вимкненого положення. Використання вмикача, який потребує ремонту, може спричинити ненавмисне увімкнення та серйозні травми. ПЕРЕД подальшим використанням інструмент слід передати до сервісного центру Makita для ремонту.

Для запобігання випадковому натисканню курка вмикача передбачено кнопку блокування вимкненого положення. Щоб увімкнути інструмент, натисніть на кнопку блокування вимкненого положення та натисніть на курок вмикача. Щоб зупинити роботу, відпустіть курок вмикача.

**УВАГА:** Ніколи не натискайте із силою на курок вмикача, якщо кнопка блокування вимкненого положення не натиснута. Це може призвести до поломки вмикача.

## Інтервал між затиском і напрямною планкою

**▲ОБЕРЕЖНО:** Після завершення регулювання інтервалу між лещатами та напрямною планкою переконайтеся, що напрямну планку надійно закріплено. Недостатнє закріплення може призвести до отримання травм.

**▲ОБЕРЕЖНО:** Слід пам'ятати, що вузькі заготовки не можна надійно закріпити з використанням двох ширших налаштувань інтервалу.

Доступні такі діапазони налаштування інтервалу для лещат:

- 0 - 170 mm (0" - 6-11/16") (заводське налаштування)
- 35 - 205 mm (1-3/8" - 8-1/16")
- 70 - 240 mm (2-3/4" - 9-7/16")

Якщо для заготовки потрібне інше налаштування, виконайте такі дії, щоб змінити інтервал або зазор.

Зніміть два болти з внутрішнім шестигранником за допомогою шестигранного ключа. Пересуньте напрямну планку в потрібне положення та закріпіть її за допомогою болтів із внутрішнім шестигранником.

► **Рис.6:** 1. Шестигранний ключ 2. Напрямна планка 3. Болти з внутрішнім шестигранником

## Регулювання кута різання

**▲ОБЕРЕЖНО:** Після регулювання кута напрямної планки переконайтеся, що напрямну планку надійно закріплено. Недостатнє закріплення може призвести до отримання травм.

**▲ОБЕРЕЖНО:** Під час різання під косим кутом справа інструментом зі стопорною пластиною завжди встановлюйте напрямну планку в положення 0 - 170 mm (0" - 6-11/16"). За встановлення в положення 35 - 205 mm (1-3/8" - 8-1/16") або 70 - 240 mm (2-3/4" - 9-7/16") створюється перешкода руху стопорної пластини, унаслідок чого результати розрізання будуть неякісними.

**▲ОБЕРЕЖНО:** Забороняється працювати з інструментом, якщо, зважаючи на кут різання, матеріал не закріплений надійним способом з використанням лещат.

Ослабте два болти з внутрішнім шестигранником за допомогою шестигранного ключа. Поверніть напрямну планку в потрібний кут і закріпіть її болтами з внутрішнім шестигранником. Будьте уважними, щоб під час закріплення болтами з внутрішнім шестигранником не допустити зміни встановленого кутového положення.

► **Рис.7:** 1. Напрямна планка 2. Болти з внутрішнім шестигранником

**ПРИМІТКА:** Шкала на напрямній планці показує лише приблизні значення. Для встановлення більш точного кута скористайтеся кутоміром або лінійкою-трикутником. Опустіть та утримуйте ручку таким чином, щоб відрізний круг увійшов у основу. У цей час відрегулюйте кут між напрямною планкою та відрізним кругом за допомогою кутоміра або лінійки-трикутника.

## Регулювання іскрогасника

Іскрогасник встановлюється на заводі-виробнику таким чином, щоб його нижній край торкався основи. Експлуатація інструмента в такому положенні призведе до сильного розлітання іскор. Послабте гвинт і переведіть іскрогасник у положення, за якого буде мінімальне розлітання іскор.

Тип іскрогасника може різнитися залежно від країни.

► **Рис.8:** 1. Гвинт 2. Іскрогасник

## Стопорна планка

### Залежно від країни

Стопорна планка служить для запобігання контакту відрізного круга з верстаком або підлогою. При встановленні нового відрізного круга переведіть стопорну планку в положення (А). Коли відрізний круг буде зношений настільки, що нижня частина деталі залишається невідрізаною, встановіть стопорну планку в положення (В). Це дозволить підвищити різальну спроможність під час використання зношеного диска.

► **Рис.9:** 1. Стопорна планка

## ЗБОРКА

**⚠ ОБЕРЕЖНО:** Перед виконанням будь-яких робіт з інструментом обов'язково вимкніть його та відключіть від електромережі.

### Відкривання захисного кожуха

#### Відкривання захисного кожуха з передньою кришкою

Підніміть захисний кожух рукою.

► Рис.10: 1. Захисний кожух

#### Відкриття захисного кожуха з центральною заглушкою

Спочатку послабте затискний гвинт, після чого підніміть кожух.

► Рис.11: 1. Затискний гвинт

### Встановлення або зняття відрізного круга

**⚠ ОБЕРЕЖНО:** Перевірте, щоб болт із внутрішнім шестигранником був надійно затягнутий. Недостатнє затягування може призвести до тяжкої травми. Для належного затягування болта з внутрішнім шестигранником застосовуйте шестигранний ключ, що постачається з інструментом.

**⚠ ОБЕРЕЖНО:** Слід завжди використовувати тільки внутрішні та зовнішні фланці, що поставляються в комплекті з інструментом.

**⚠ ОБЕРЕЖНО:** Слід завжди опускати захисний кожух після заміни диска.

**⚠ ОБЕРЕЖНО:** Працюйте з кругами в рукавичках.

Підніміть захисний кожух. За допомогою шестигранного ключа поверніть болт із внутрішнім шестигранником, утримуючи замок вала притисненим. Потім видаліть болт із внутрішнім шестигранником, зовнішній фланець і круг.

► Рис.12: 1. Замок вала 2. Болт із внутрішнім шестигранником

► Рис.13: 1. Внутрішній фланець 2. Кільце 3. Ущільнювальне кільце 4. Армований відрізний круг зі зв'язкою (абразивний відрізний круг) 5. Зовнішній фланець 6. Шайба 7. Болт із внутрішнім шестигранником

Щоб встановити диск, виконайте процедуру його зняття у зворотному порядку. Обов'язково вирівняйте отвір відрізного круга за кільцем і поверніть на місце захисний кожух.

## Зберігання шестигранного ключа

Коли шестигранний ключ не використовується, зберігайте його, як показано на рисунку, щоб він не загубився.

M2402

► Рис.14: 1. Шестигранний ключ

M2403

► Рис.15: 1. Шестигранний ключ

## РОБОТА


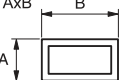
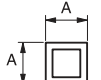

**⚠ ОБЕРЕЖНО:** Належний тиск на ручку під час різання та максимальна ефективність різання можуть бути визначені за кількістю іскор, що утворюються під час різання. Не треба просувати різання із силою, занадто натискаючи на ручку. Це може призвести до погіршення результатів різання, передчасного зносу диску, а також може пошкодити інструмент, відрізний круг або деталь.

Слід міцно триматися за ручку. Увімкніть інструмент і зачекайте, доки відрізний круг набере повної швидкості, після чого обережно опустіть його в проріз. Коли відрізний круг торкнеться деталі, плавно натисніть на ручку, щоб зробити проріз. Після завершення різання вимкніть інструмент і зачекайте, доки відрізний круг повністю не зупиниться, перш ніж повністю підняти ручку.

### Різальна спроможність

Максимальна різальна спроможність може бути різною залежно від кута різання та форми деталі.

Максимальна різальна спроможність під час використання нового відрізного круга іншого виробника

Кут різання / Форма заготовки	90°	45°
	127 mm (5")	127 mm (5")
	102 x 194 mm (4" x 7-5/8") 70 x 233 mm (2-3/4" x 9-1/8")	115 x 103 mm (4-1/2" x 4-1/16")
	119 x 119 mm (4-11/16" x 4-11/16")	106 x 106 mm (4-3/16" x 4-3/16")
	137 x 137 x 10 mm (5-3/8" x 5-3/8" x 3/8")	100 x 100 x 10 mm (4" x 4" x 3/8")

## Кріплення деталі

**⚠ОБЕРЕЖНО:** Закріплюючи деталь, обов'язково встановлюйте фіксатор на різьбу вала. Невиконання цієї вимоги може призвести до недостатньо надійного закріплення деталі. Це, у свою чергу, може призвести до викидання деталі або до небезпечної поломки відрізного круга.

Коли фіксатор нарізі вала піднятий, можна швидко вставити та витягнути затискну пластину. Для затиснення деталі натискайте на ручку, доки затискна пластина не торкнеться деталі, після чого відпустіть фіксатор нарізі вала. Повертайте ручку за ходом годинникової стрілки, поки деталь не буде надійно зафіксовано.

► **Рис.16:** 1. Ручка 2. Фіксатор нарізі 3. Затискна пластина

Коли відрізний круг вже значно зношений, за деталлю слід встановити розділювальний блок, як показано на малюнку. Зношений диск можна використовувати ефективніше, якщо для відрізання деталі використовувати середину периферії диска. Використовуйте розділювальний блок із міцного негорючого матеріалу.

► **Рис.17:** 1. Розділювальний блок

Під час різання під кутом заготовок завширшки більше 85 мм (3-3/8") до напрямної планки слід прикласти прями́й дерев'яний брусок (проставку) завдовжки понад 190 мм (7-1/2") та завширшки 45 мм (1-3/4"), як показано на малюнку. Таку проставку слід закріпити за допомогою гвинтів через отвори в напрямній планці. Коли головна частина інструмента натиснена, переконайтеся, що відрізний круг не торкається проставки.

► **Рис.18:** 1. Напрямна планка 2. Брусок-проставка завдовжки понад 190 мм (7-1/2") та завширшки 45 мм (1-3/4") 3. Заготовка, ширша за 85 мм (3-3/8") 4. Затискна пластина лещат

► **Рис.19**

Коли відрізний круг спрацьовано, підніміть положення різання, установивши брусок-проставку, що дещо вужчий за деталь, як показано на рисунку. Таким чином можна максимально використовувати ресурс відрізного круга.

► **Рис.20:** 1. Затискна пластина 2. Діаметр деталі 3. Напрямна планка 4. Ширина блоку-проставки

Довгі деталі слід з обох боків підпирати блоками, зробленими з незаймистого матеріалу, щоб вони були врівень із верхом основи. Використовуйте опорні блоки з незаймистого матеріалу.

► **Рис.21:** 1. Опорний блок

## Перенесення верстата

Нахиліть і складіть головну частину інструмента, після чого заблокуйте її. Під час перенесення інструмента тримайте його за ручку.

**M2402**

► **Рис.22**

**M2403**

► **Рис.23**

## ТЕХНІЧНЕ ОБСЛУГОВУВАННЯ

**⚠ОБЕРЕЖНО:** Перед тим як проводити огляд або технічне обслуговування інструмента, переконайтеся, що його вимкнено і від'єднано від мережі.

**УВАГА:** Ніколи не використовуйте газолін, бензин, розріджувач, спирт та подібні речовини. Їх використання може призвести до зміни кольору, деформації або появи тріщин.

Для забезпечення БЕЗПЕКИ та НАДІЙНОСТІ продукції, її ремонт, а також роботи з обслуговування або регулювання повинні виконуватись уповноваженими або заводськими сервісними центрами Makita із використанням запчастин виробництва компанії Makita.

## Заміна вугільних щіток

► **Рис.24:** 1. Обмежувальна відмітка

Регулярно перевіряйте стан вугільних щіток. Замінійте їх, коли зношення сягає граничної відмітки. Вугільні щітки слід тримати чистими та незаблокованими, щоб вони могли заходити в тримачі. Обидві вугільні щітки слід замінити одночасно. Можна використовувати тільки ідентичні вугільні щітки.

1. Для виймання ковпачків щіткотримачів користуйтеся викруткою.
2. Зніміть зношені вугільні щітки, вставте нові та закріпіть ковпачки щіткотримачів.

► **Рис.25:** 1. Ковпачок щіткотримача



## ТЕХНИЧЕСКИЕ ХАРАКТЕРИСТИКИ

Модель:		M2402	M2403
Диаметр диска		355 мм	
Макс. толщина диска		3 мм	
Диаметр отверстия		25,4 мм	
Число оборотов без нагрузки		3 800 мин <sup>-1</sup> или 3 900 мин <sup>-1</sup> Число оборотов без нагрузки может различаться в зависимости от страны. См. паспортную табличку на инструменте.	
Размеры (Д × Ш × В)	Модель с защитным кожухом с крышкой спереди + основание высотой 97,0 мм	500 мм × 280 мм × 630 мм	515 мм × 280 мм × 640 мм
	Модель с защитным кожухом с крышкой спереди + основание высотой 77,0 мм	490 мм × 280 мм × 610 мм	500 мм × 280 мм × 620 мм
	Модель с защитным кожухом с центральной заглушкой	490 мм × 280 мм × 610 мм	500 мм × 280 мм × 620 мм
Масса нетто	Модель с защитным кожухом с крышкой спереди + основание высотой 97,0 мм	15,5 кг	15,3 кг
	Модель с защитным кожухом с крышкой спереди + основание высотой 77,0 мм	14,5 кг	14,3 кг
	Модель с защитным кожухом с центральной заглушкой	14,0 кг	13,8 кг
Класс безопасности		II	

- Благодаря нашей постоянно действующей программе исследований и разработок указанные здесь технические характеристики могут быть изменены без предварительного уведомления.
- Технические характеристики могут различаться в зависимости от страны.
- Масса в соответствии с процедурой EPTA 01/2014

### Назначение

Инструмент предназначен для резки цветных металлов с помощью подходящего абразивного отрезного диска. Соблюдайте все законы и нормативные акты, действующие в вашей стране, относительно безопасности и охраны здоровья во время пребывания на рабочих местах и запыленных территориях.

### Источник питания

Данный инструмент должен подключаться к источнику питания с напряжением, соответствующим напряжению, указанному на идентификационной пластине, и может работать только от однофазного источника переменного тока. Он имеет двойную изоляцию и поэтому может подключаться к розеткам без заземления.

### Для низковольтных систем общего пользования напряжением от 220 до 250 В.

Включение электрического устройства приводит к колебаниям напряжения. Использование данного устройства в неблагоприятных условиях электроснабжения может оказывать негативное влияние на работу другого оборудования. Если полное сопротивление в сети питания равно или менее 0,25 Ом, можно предполагать, что данный инструмент не будет оказывать негативного влияния. Сетевая розетка, используемая для данного инструмента, должна быть защищена предохранителем или прерывателем цепи с медленным размыканием.

### Шум

Типичный уровень взвешенного звукового давления (A), измеренный в соответствии с EN62841-3-10:

#### Модель M2402

Уровень звукового давления (L<sub>рA</sub>): 98 дБ (A)  
Уровень звуковой мощности (L<sub>wA</sub>): 108 дБ (A)  
Погрешность (K): 3,0 дБ (A)

#### Модель M2403

Уровень звукового давления (L<sub>рA</sub>): 99 дБ (A)  
Уровень звуковой мощности (L<sub>wA</sub>): 109 дБ (A)  
Погрешность (K): 3,0 дБ (A)

**ПРИМЕЧАНИЕ:** Заявленное значение распространения шума измерено в соответствии со стандартной методикой испытаний и может быть использовано для сравнения инструментов.

**ПРИМЕЧАНИЕ:** Заявленное значение распространения шума можно также использовать для предварительных оценок воздействия.

**⚠ ОСТОРОЖНО:** Используйте средства защиты слуха.

**⚠ ОСТОРОЖНО:** Распространение шума во время фактического использования электроинструмента может отличаться от заявленного значения в зависимости от способа применения инструмента и в особенности от типа обрабатываемой детали.

**⚠ ОСТОРОЖНО:** Обязательно определите меры безопасности для защиты оператора, основанные на оценке воздействия в реальных условиях использования (с учетом всех этапов рабочего цикла, таких как выключение инструмента, работа без нагрузки и включение).

## Вибрация

Суммарное значение вибрации (сумма векторов по трем осям), определенное в соответствии с EN62841-3-10:

### Модель M2402

Распространение вибрации ( $a_h$ ): 4,5 м/с<sup>2</sup>

Погрешность (K): 1,5 м/с<sup>2</sup>

### Модель M2403

Распространение вибрации ( $a_h$ ): 3,5 м/с<sup>2</sup>

Погрешность (K): 1,5 м/с<sup>2</sup>

**ПРИМЕЧАНИЕ:** Заявленное общее значение распространения вибрации измерено в соответствии со стандартной методикой испытаний и может быть использовано для сравнения инструментов.

**ПРИМЕЧАНИЕ:** Заявленное общее значение распространения вибрации можно также использовать для предварительных оценок воздействия.

**⚠ ОСТОРОЖНО:** Распространение вибрации во время фактического использования электроинструмента может отличаться от заявленного значения в зависимости от способа применения инструмента и в особенности от типа обрабатываемой детали.

**⚠ ОСТОРОЖНО:** Обязательно определите меры безопасности для защиты оператора, основанные на оценке воздействия в реальных условиях использования (с учетом всех этапов рабочего цикла, таких как выключение инструмента, работа без нагрузки и включение).

## Декларация о соответствии ЕС

*Только для европейских стран*

Декларация о соответствии ЕС включена в руководство по эксплуатации (Приложение А).

## МЕРЫ БЕЗОПАСНОСТИ

### Общие рекомендации по технике безопасности для электроинструментов

**⚠ ОСТОРОЖНО:** Ознакомьтесь со всеми представленными инструкциями по технике безопасности, указаниями, иллюстрациями и техническими характеристиками, прилагаемыми к данному электроинструменту. Несоблюдение каких-либо инструкций, указанных ниже, может привести к поражению электрическим током, пожару и/или серьезной травме.

### Сохраните брошюру с инструкциями и рекомендациями для дальнейшего использования.

Термин "электроинструмент" в предупреждениях относится ко всему инструменту, работающему от сети (с проводом) или на аккумуляторах (без провода).

### Техника безопасности при использовании отрезной машины

- Вы и сторонние наблюдатели должны находиться на максимально возможном расстоянии от плоскости вращения диска.** Ограждение помогает обезопасить оператора от отлетающих осколков поврежденного диска и случайного контакта с ним.
- Для работы с электроинструментом используйте только армированные отрезные диски.** Возможность установки принадлежности на инструмент сама по себе не гарантирует безопасной работы.
- Номинальная скорость принадлежностей должна быть как минимум равна максимальной скорости, обозначенной на инструменте.** При превышении номинальной скорости принадлежности она может разломиться на части.
- Диски должны использоваться только по рекомендованному назначению.** Например: не шлифуйте краем отрезного диска. Абразивные отрезные диски предназначены для периферийного шлифования, и боковые усилия, приложенные к таким дискам, могут вызвать их разрушение.
- Обязательно используйте неповрежденные фланцы соответствующего выбранному диску диаметра.** Подходящие фланцы поддерживают диск, снижая вероятность его повреждения.
- Внешний диаметр и толщина принадлежности должны соответствовать номинальной мощности инструмента.** Принадлежности, размер которых подобран неверно, не гарантируют безопасности и точности управления.

7. **Размер оправки дисков и фланцев должен в точности соответствовать параметрам шпинделя электроинструмента.** Несоответствие диаметра оправки дисков, фланцев и монтажного узла электроинструмента может привести к нарушению балансировки, сильной вибрации и потере контроля над инструментом.
8. **Не используйте поврежденные диски.** Перед каждым использованием осматривайте диски на предмет сколов и трещин. В случае падения электроинструмента или диска убедитесь в отсутствии повреждений или установите неповрежденный диск. После осмотра и установки диска отойдите сами и попросите отойти сторонних наблюдателей на безопасное расстояние от плоскости вращения диска, затем включите инструмент на максимальной мощности без нагрузки и дайте ему поработать в течение одной минуты. Поврежденные диски обычно разрушаются за время такой проверки.
9. **Надевайте индивидуальные средства защиты.** В зависимости от выполняемых операций используйте защитную маску или защитные очки. При необходимости используйте респиратор, средства защиты слуха, перчатки и передник, способный защитить от маленьких фрагментов абразива или заготовки. Средства защиты органов зрения должны предохранять от летящих фрагментов, появляющихся при выполнении различных операций. Пылезащитная маска или респиратор должны обеспечивать фильтрацию пыли, возникающей во время работы. Продолжительное воздействие сильного шума может стать причиной потери слуха.
10. **Посторонние лица должны находиться на безопасном расстоянии от рабочей зоны.** Любой приближающийся к рабочему месту человек должен предварительно надеть индивидуальные средства защиты. Фрагменты обрабатываемой детали или разрушенного диска могут разлететься и причинить травмы даже за пределами рабочей зоны.
11. **Располагайте шнур на расстоянии от вращающейся насадки.** Если вы не удержите инструмент, возможно случайное разрезание или повреждение шнура, а также затягивание руки вращающейся принадлежностью.
12. **Регулярно прочищайте вентиляционные отверстия инструмента.** Вентилятор электродвигателя может засасывать пыль внутрь корпуса, а значительные отложения металлической пыли могут привести к поражению электрическим током.
13. **Не используйте инструмент вблизи горючих материалов.** Не применяйте электроинструмент, если он расположен на поверхности из легковоспламеняющихся материалов, например дерева. Эти материалы могут воспламениться от искр.
14. **Не используйте принадлежности, требующие жидкостного охлаждения.** Использование воды или других охлаждающих жидкостей может привести к поражению электротоком.

#### **Отдача и соответствующие предупреждения**

Отдача – это неожиданная реакция зажатого или застрявшего вращающегося диска. Застревание или застопоривание вызывает резкую остановку вращающегося диска, что, в свою очередь, приводит к неконтролируемому рывку режущего инструмента в направлении оператора. Например, если абразивный диск зажимается или прихватывается деталью, край диска, находящийся в точке заклинивания, может углубиться в поверхность детали, что приведет к выкатыванию или выскакиванию диска. Также в этих условиях абразивные диски могут сломаться. Отдача – это результат неправильного использования электроинструмента и/или неправильных методов или условий работ, чего можно избежать, соблюдая нижеуказанные меры предосторожности.

1. **Крепко держите электроинструмент и располагайте свое тело и руки так, чтобы можно было сопротивляться силам отдачи.** Если принять необходимые меры предосторожности, оператор может контролировать силу отдачи.
2. **Не стойте в плоскости вращения диска.** В случае отдачи режущий инструмент будет направлен на оператора.
3. **Не устанавливайте на инструмент пильную цепь, принадлежность для резьбы по дереву, сегментированный алмазный диск с периферийным зазором более 10 мм или пильный диск.** Такие пилы часто дают отдачу и приводят к потере контроля.
4. **Не "заклинивайте" диск и не применяйте к нему чрезмерное давление.** Не пытайтесь делать слишком глубокий разрез. Перенапряжение диска увеличивает нагрузку и вероятность искривления или застревания диска в прорези, а также отдачи или поломки диска.
5. **Если диск застревает или процесс резания прерывается по другой причине, остановите режущий инструмент и держите его неподвижно до полной остановки диска.** Не пытайтесь извлечь диск из разреза до полной остановки, в противном случае может возникнуть отдача. Выясните и устраните причину застревания диска.
6. **Не перезапускайте отрезной диск, пока он находится в детали.** Дождитесь, пока диск разовьет максимальную скорость, и осторожно погрузите его в разрез. Диск может застрять, а отдача может отбросить его вверх или назад, если перезапустить электроинструмент непосредственно в детали.
7. **Устанавливайте опоры под большие детали, чтобы уменьшить риск застревания диска и отдачи.** Большие детали имеют тенденцию к прогибанию под собственным весом. При резании таких панелей необходимо поместить опоры под разрезаемой деталью рядом с линией разреза и рядом с краем детали с обеих сторон диска.

#### **Дополнительные предупреждения о безопасности**

1. **При работе следите за образующимися искрами.** Они могут привести к травме или воспламенению горючих материалов.
2. **Закрепляйте обрабатываемую деталь.** Используйте зажимы или тиски для крепления детали. Это безопаснее, чем держать ее руками, и освобождает обе руки для работы с инструментом.

3. Будьте осторожны при креплении отрезного диска.
4. Будьте осторожны, чтобы не повредить шпиндель, фланцы (особенно установочную поверхность) или болт, иначе отрезной диск может сломаться.
5. Не снимайте щитки и следите, чтобы они были в рабочем состоянии.
6. Крепко держите ручку.
7. Руки должны находиться на расстоянии от вращающихся деталей.
8. Перед включением инструмента убедитесь в том, что отрезной диск не касается обрабатываемой детали.
9. Прежде чем приступить к работе, убедитесь в отсутствии пульсаций или чрезмерной вибрации, причиной которой может быть плохо установленный или плохо сбалансированный диск.
10. На рабочем месте уберите материалы или отходы, которые могут воспламениться от искр. Следите за тем, чтобы на траектории искр никого не было. Держите под рукой надлежащий заряженный огнетушитель.
11. Если во время работы отрезной диск останавливается, издает странный шум или начинает вибрировать, немедленно выключите инструмент.
12. Обязательно отключите инструмент и дождитесь полной остановки отрезного диска перед его снятием, креплением обрабатываемой детали, работой с тисками, изменением рабочего положения, угла или заменой самого отрезного диска.
13. Не касайтесь обрабатываемой детали сразу же после работы; она очень горячая, вы можете получить ожог.
14. Храните диски только в сухом месте.

## СОХРАНИТЕ ДАННЫЕ ИНСТРУКЦИИ.

## УСТАНОВКА

**▲ОСТОРОЖНО:** При выполнении резки детали инструментом могут образовываться искры. Не устанавливайте инструмент в помещении, в котором хранятся горючие и/или взрывоопасные материалы, способные загореться при попадании на них искр. Также прежде чем запустить инструмент убедитесь, что рядом с ним нет подобных материалов.

## Фиксация основания

Данный инструмент необходимо прикрутить двумя болтами к ровной и устойчивой поверхности, используя отверстия для болтов в основании инструмента. Это поможет предотвратить опрокидывание и возможные травмы.

► **Рис.1:** 1. Отверстия под болты 2. Основание

## ОПИСАНИЕ РАБОТЫ

**▲ВНИМАНИЕ:** Перед регулировкой или проверкой функций инструмента обязательно убедитесь, что он выключен и его вилка вынута из розетки.

## Блокировка/снятие блокировки головки инструмента

Головка инструмента может быть заблокирована. Прежде чем приступить к работе, снимите цепь блокировки с крючка. Если инструмент не используется, а также при его переноске, наденьте цепь блокировки на крючок.

**M2402**

► **Рис.2:** 1. Крючок 2. Цепь блокировки

**M2403**

► **Рис.3:** 1. Крючок 2. Цепь блокировки

## Действие выключателя

**▲ОСТОРОЖНО:** Перед включением инструмента в розетку обязательно убедитесь, что триггерный переключатель работает надлежащим образом и возвращается в положение "ВЫКЛ", если его отпустить.

**M2402**

► **Рис.4:** 1. Кнопка блокировки/разблокировки  
2. Триггерный переключатель

**M2403**

► **Рис.5:** 1. Кнопка блокировки/разблокировки  
2. Триггерный переключатель

## Для инструмента с кнопкой блокировки

**▲ВНИМАНИЕ:** В случае продолжительной работы для удобства оператора переключатель можно зафиксировать в положении "ВКЛ.". Соблюдайте осторожность при фиксации инструмента в положении "ВКЛ." и крепко удерживайте инструмент.

Для запуска инструмента просто нажмите на триггерный переключатель. Отпустите триггерный переключатель для остановки. Для непрерывной работы инструмента нажмите на триггерный переключатель, нажмите кнопку блокировки и затем отпустите триггерный переключатель. Для отключения заблокированного положения переключателя до конца нажмите на триггерный переключатель, а затем отпустите его.

## Для инструмента с кнопкой разблокировки

**⚠ОСТОРОЖНО:** ЗАПРЕЩАЕТСЯ нарушать работу кнопки разблокировки, заклеивая ее скотчем или другими способами. Выключатель с неработающей кнопкой разблокировки может стать причиной случайного включения и причинения тяжелой травмы.

**⚠ОСТОРОЖНО:** ЗАПРЕЩАЕТСЯ использовать инструмент, когда он работает при простом нажатии на триггерный переключатель без нажатия на кнопку разблокировки. Требующий ремонта инструмент может случайно включиться и причинить тяжелую травму. Верните инструмент в сервисный центр Makita для надлежащего ремонта ДО продолжения его эксплуатации.

Для предотвращения непреднамеренного включения триггерного переключателя имеется кнопка разблокировки. Для запуска инструмента, нажмите на кнопку разблокировки и затем нажмите на триггерный переключатель. Отпустите триггерный переключатель для остановки.

**ПРИМЕЧАНИЕ:** Не нажимайте сильно на триггерный переключатель без нажатия на кнопку разблокировки. Это может привести к поломке переключателя.

## Зазор между тисками и направляющей пластиной

**⚠ВНИМАНИЕ:** После регулировки зазора между тисками и направляющей пластиной убедитесь, что направляющая пластина надежно закреплена. Несоблюдение данной рекомендации может стать причиной травмы.

**⚠ВНИМАНИЕ:** Помните о том, что узкие обрабатываемые детали при использовании двух и более широких интервалов, могут закрепляться ненадежно.

Допустимы следующие зазоры для тисков:

- 0 - 170 mm (0" - 6-11/16") (заводская настройка)
- 35 - 205 mm (1-3/8" - 8-1/16")
- 70 - 240 mm (2-3/4" - 9-7/16")

Если ваша операция требует изменения настройки, выполните следующее, чтобы изменить зазор:

С помощью шестигранного ключа открутите два болта с шестигранными головками. Переместите направляющую пластину в необходимое положение и закрепите ее двумя болтами с внутренним шестигранником.

► **Рис.6:** 1. Шестигранный ключ 2. Направляющая пластина 3. Болты с внутренним шестигранником

## Регулировка угла резки

**⚠ВНИМАНИЕ:** По завершении регулировки угла наклона направляющей пластины убедитесь, что она надежно закреплена. Несоблюдение данной рекомендации может стать причиной травмы.

**⚠ВНИМАНИЕ:** При выполнении резки под правым углом наклона инструментом со стопорной пластиной всегда устанавливайте направляющую пластину в положение 0 - 170 mm (0" - 6-11/16"). При установке в положение 35 - 205 mm (1-3/8" - 8-1/16") или 70 - 240 mm (2-3/4" - 9-7/16") создается помеха движению стопорной пластины, что может стать причиной неточной резки.

**⚠ВНИМАНИЕ:** Не используйте инструмент, если обрабатываемый материал закреплён в тисках ненадежно из-за угла резки.

Ослабьте два болта с внутренним шестигранником с помощью шестигранного ключа. Переместите направляющую пластину на необходимый угол и закрепите ее болтами с внутренним шестигранником. Будьте осторожны, не сместите пластину в процессе крепления болтами с внутренним шестигранником.

► **Рис.7:** 1. Направляющая пластина 2. Болты с внутренним шестигранником

**ПРИМЕЧАНИЕ:** Шкала на направляющей пластине дает только ориентировочное значение. Для более точной установки угла используйте транспортир или угольник. Удерживайте рукоятку в нижнем положении, чтобы отрезной диск входил в основание. Одновременно с этим с помощью транспортира или угольника отрегулируйте угол между направляющей пластиной и отрезным диском.

## Регулировка искрозащитного кожуха

Искрозащитный кожух устанавливается на заводе-изготовителе, при этом нижний край касается основания. Эксплуатация инструмента в таком положении приведет к тому, что вокруг будет разлетаться много искр. Открутите винт и отрегулируйте искрозащитный кожух так, чтобы обеспечить минимум разлетающихся вокруг искр. Тип искрозащитного кожуха может различаться в зависимости от страны.

► **Рис.8:** 1. Винт 2. Искрозащитный кожух

## Стопорная пластина

### В зависимости от страны

Стопорная пластина предотвращает соприкосновение отрезного диска с верстаком или полом. При установке нового отрезного диска установите стопорную пластину в положение (А). Когда отрезной диск изношен до такой степени, что нижняя часть обрабатываемой детали уже не отрезается, установите стопорную пластину в положение (В), чтобы обеспечить более высокую производительность резки при использовании изношенного диска.

► **Рис.9:** 1. Стопорная пластина

## СБОРКА

**ВНИМАНИЕ:** Перед проведением каких-либо работ с инструментом обязательно проверяйте, что инструмент выключен, а шнур питания вынут из розетки.

### Открытие защитного кожуха

#### Открытие защитного кожуха с передней крышкой

Поднимите защитный кожух рукой.

► Рис.10: 1. Защитный кожух

#### Открывающийся защитный кожух с центральной заглушкой

Сначала ослабьте зажимной винт, затем поднимите кожух.

► Рис.11: 1. Зажимной винт

### Снятие или установка отрезного диска

**ВНИМАНИЕ:** Обязательно надежно затяните болт с внутренним шестигранником. Несоблюдение данной рекомендации может привести к тяжелой травме. Для затяжки болта с внутренним шестигранником используйте торцовый ключ, включенный в комплект поставки инструмента.

**ВНИМАНИЕ:** Всегда используйте только соответствующие внутренний и внешний фланцы, входящие в комплект поставки инструмента.

**ВНИМАНИЕ:** Всегда опускайте защитный кожух после замены диска.

**ВНИМАНИЕ:** При работе с диском надевайте защитные перчатки.

Поднимите защитный кожух. Поверните болт с внутренним шестигранником против часовой стрелки с помощью шестигранного ключа, надавив на фиксатор вала. Затем снимите болт с внутренним шестигранником, внешний фланец и диск.

► Рис.12: 1. Фиксатор вала 2. Болт с внутренним шестигранником

► Рис.13: 1. Внутренний фланец 2. Кольцо 3. Уплотнительное кольцо 4. Армированный отрезной диск со связкой (абразивный отрезной диск) 5. Наружный фланец 6. Шайба 7. Болт с внутренним шестигранником

Для установки диска повторите процедуру снятия в обратном порядке. Совместите отверстие отрезного диска с кольцом и установите обратно защитный кожух.

## Хранение шестигранного ключа

Когда шестигранный ключ не используется, храните его, как показано на рисунке, чтобы не потерять.

M2402

► Рис.14: 1. Шестигранный ключ

M2403

► Рис.15: 1. Шестигранный ключ

## ЭКСПЛУАТАЦИЯ

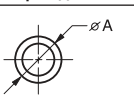
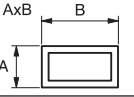
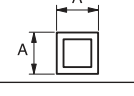

**ВНИМАНИЕ:** Соответствующее давление нажатия на рукоятку при резке и максимальную эффективность резки можно определить по количеству искр, вылетающих при резке. Не прилагайте чрезмерных усилий при резке, оказывая излишнее давление на рукоятку. Это может привести к снижению эффективности резки, преждевременному износу диска, а также возможному повреждению инструмента, отрезного диска или обрабатываемой детали.

Крепко держите ручку. Включите инструмент и подождите, пока отрезной диск наберет полную скорость, затем медленно опустите его в разрез. Когда отрезной диск касается обрабатываемой детали, постепенно нажимайте на рукоятку для выполнения резки. По завершении резки отключите инструмент и подождите, пока отрезной диск не остановится полностью, прежде чем вернуть рукоятку в полностью поднятое положение.

### Режущая способность

Максимальная режущая способность изменяется в зависимости от угла резки и формы обрабатываемой детали.

#### Максимальная режущая способность с новым фирменным отрезным диском

Угол резания / Форма детали	90°	45°
	127 mm (5")	127 mm (5")
	102 x 194 mm (4" x 7-5/8") 70 x 233 mm (2-3/4" x 9-1/8")	115 x 103 mm (4-1/2" x 4-1/16")
	119 x 119 mm (4-11/16" x 4-11/16")	106 x 106 mm (4-3/16" x 4-3/16")
	137 x 137 x 10 mm (5-3/8" x 5-3/8" x 3/8")	100 x 100 x 10 mm (4" x 4" x 3/8")

## Крепление обрабатываемой детали

**▲ВНИМАНИЕ:** Всегда устанавливайте упор на резьбу вала, когда закрепляете обрабатываемую деталь. Несоблюдение данного требования может привести к ненадежному креплению обрабатываемой детали. Это может привести к отбрасыванию обрабатываемой детали или опасной поломке отрезного диска.

При поднятом упоре можно быстро перемещать пластину тисков. Чтобы закрепить деталь, нажмите на ручку, пока пластина тисков не коснется обрабатываемой детали, затем верните упор на место. Поворачивайте ручку по часовой стрелке, пока деталь не будет надежно зафиксирована.

► **Рис.16:** 1. Ручка 2. Упор 3. Пластина тисков

При значительном износе отрезного диска поместите под обрабатываемую деталь распорный блок, как показано на рисунке. Вы можете более эффективно применять изношенный диск, используя средний наконечник на периферии диска для резки обрабатываемой детали. Для распорного блока используйте прочный и негорючий материал.

► **Рис.17:** 1. Распорный блок

При резке обрабатываемых деталей шириной свыше 85 мм (3-3/8") под углом закрепите прямой кусок дерева (распорку) размером более 190 мм (7-1/2") в длину на 45 мм (1-3/4") в ширину к направляющей пластине, как показано на рисунке. Закрепите проставку винтами через отверстия в направляющей пластине. Убедитесь, что отрезной диск не соприкасается с проставкой при зажатой головке инструмента.

► **Рис.18:** 1. Направляющая пластина  
2. Распорный блок (более 190 мм (7-1/2") в длину на 45 мм (1-3/4") в ширину)  
3. Рабочая деталь размером более 85 мм (3-3/8") в ширину  
4. Пластина тисков

► **Рис.19**

Если отрезной диск изношен, поднимите положение резки, разместив распорный блок, как указано на рисунке. Блок должен быть чуть уже обрабатываемой детали. Это позволит максимально эффективно использовать ресурс отрезного диска.

► **Рис.20:** 1. Пластина тисков 2. Диаметр обрабатываемой детали 3. Направляющая пластина 4. Ширина распорного блока

Длинные обрабатываемые детали необходимо поддерживать блоками с одной из сторон, чтобы они были горизонтальными по отношению к верхней части основания. Опорные блоки должны быть изготовлены из негорючих материалов.

► **Рис.21:** 1. Опорный блок

## Переноска инструмента

Сложите головку инструмента и заблокируйте ее. Держите инструмент за ручку, когда переносите его.

M2402  
► **Рис.22**

M2403  
► **Рис.23**

## ОБСЛУЖИВАНИЕ

**▲ВНИМАНИЕ:** Перед проверкой или проведением техобслуживания убедитесь, что инструмент выключен, а штекер отсоединен от розетки.

**ПРИМЕЧАНИЕ:** Запрещается использовать бензин, растворители, спирт и другие подобные жидкости. Это может привести к обесцвечиванию, деформации и трещинам.

Для обеспечения БЕЗОПАСНОСТИ и НАДЕЖНОСТИ оборудования ремонт, любое другое техобслуживание или регулировку необходимо производить в уполномоченных сервис-центрах Makita или сервис-центрах предприятия с использованием только сменных частей производства Makita.

## Замена угольных щеток

► **Рис.24:** 1. Ограничительная метка

Регулярно проверяйте угольные щетки. Замените, когда износ достигнет ограничительной метки. Угольные щетки всегда должны быть чистыми и свободно перемещаться в держателях. Заменяйте обе угольные щетки одновременно. Используйте только идентичные угольные щетки.

1. Используйте отвертку для снятия колпачков держателей щеток.

2. Извлеките изношенные угольные щетки, вставьте новые и закрутите колпачков держателей щеток.

► **Рис.25:** 1. Колпачок держателя щетки



**Makita Europe N.V.** Jan-Baptist Vinkstraat 2,  
3070 Kortenberg, Belgium

**Makita Corporation** 3-11-8, Sumiyoshi-cho,  
Anjo, Aichi 446-8502 Japan

[www.makita.com](http://www.makita.com)

885827-968 EN, SL, SQ, BG, HR, MK, SR, RO, UK, RU 20200723
--