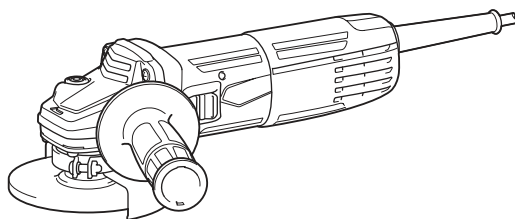


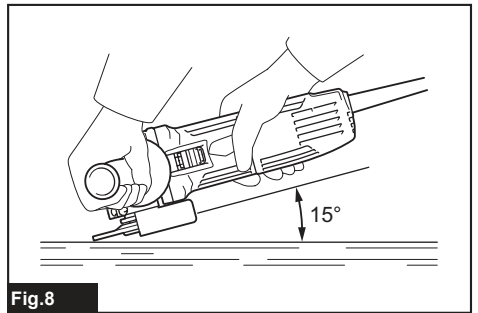
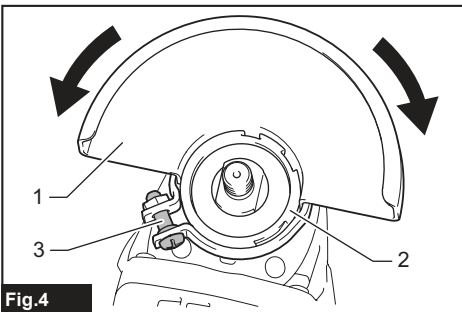
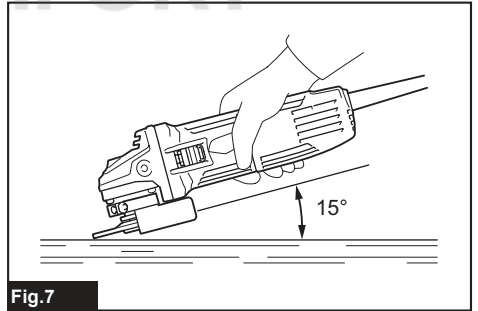
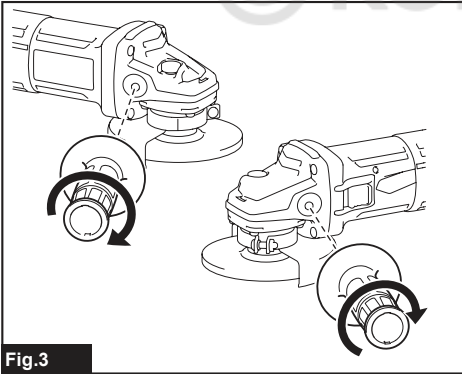
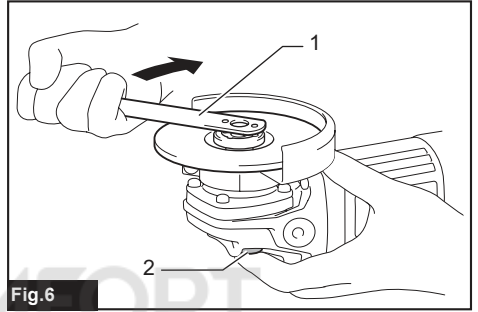
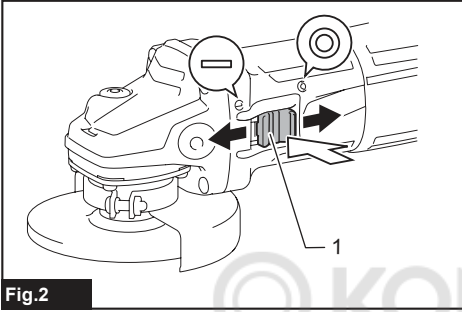
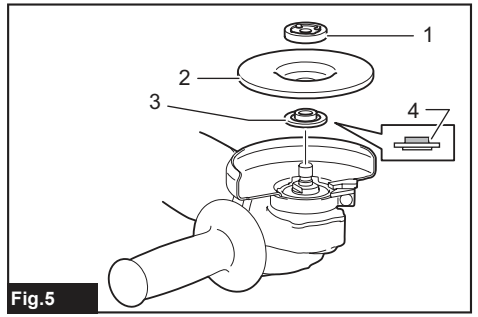
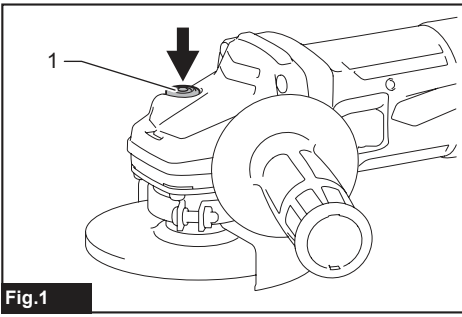


EN	Angle Grinder	INSTRUCTION MANUAL	3
RU	Угловая шлифмашина	РУКОВОДСТВО ПО ЭКСПЛУАТАЦИИ	9
KK	Бұрыштық ажарлағыш машина	ПАЙДАЛАНУ ЖӨНІНДЕГІ НҰСҚАУЛЫҚ	16

© KOMFORT

M9506
M9507
M9508










SPECIFICATIONS

Model:	M9506	M9507	M9508
Wheel diameter	100 mm	115 mm	125 mm
Max. wheel thickness	4 mm	6.4 mm	
Spindle thread	M10 x 1.5	M14 x 2	
Rated speed (n)/ No load speed (n ₀)	11,000 min ⁻¹		
Overall length	261 mm		
Net weight	1.6 kg	1.9 kg	
Safety class	□/II		

- Due to our continuing program of research and development, the specifications herein are subject to change without notice.
- Specifications may differ from country to country.
- Weight according to EPTA-Procedure 01/2003

Symbols

The followings show the symbols used for the equipment. Be sure that you understand their meaning before use.

	Read instruction manual.
	Wear safety glasses.
	
	DOUBLE INSULATION
	Only for EU countries Do not dispose of electric equipment together with household waste material! In observance of the European Directive, on Waste Electric and Electronic Equipment and its implementation in accordance with national law, electric equipment that have reached the end of their life must be collected separately and returned to an environmentally compatible recycling facility.

Intended use

The tool is intended for grinding of metal and stone materials without the use of water.

Power supply

The tool should be connected only to a power supply of the same voltage as indicated on the nameplate, and can only be operated on single-phase AC supply. They are double-insulated and can, therefore, also be used from sockets without earth wire.

Noise

The typical A-weighted noise level determined according to EN60745:

Model M9506
Sound pressure level (L_{pA}) : 86 dB(A)
Sound power level (L_{WA}) : 97 dB (A)
Uncertainty (K) : 3 dB(A)

Model M9507
Sound pressure level (L_{pA}) : 88 dB(A)
Sound power level (L_{WA}) : 99 dB (A)
Uncertainty (K) : 3 dB(A)

Model M9508
Sound pressure level (L_{pA}) : 88 dB(A)
Sound power level (L_{WA}) : 99 dB (A)
Uncertainty (K) : 3 dB(A)

▲WARNING: Wear ear protection.

Vibration

The vibration total value (tri-axial vector sum) determined according to EN60745:

Model M9506
Work mode: surface grinding
Vibration emission (a_{h,AG}) : 6.5 m/s²
Uncertainty (K) : 1.5 m/s²

Model M9507
Work mode: surface grinding
Vibration emission (a_{h,AG}) : 7.0 m/s²
Uncertainty (K) : 1.5 m/s²

Model M9508
Work mode: surface grinding
Vibration emission (a_{h,AG}) : 7.0 m/s²
Uncertainty (K) : 1.5 m/s²

NOTE: The declared vibration total value(s) has been measured in accordance with a standard test method and may be used for comparing one tool with another.

NOTE: The declared vibration total value(s) may also be used in a preliminary assessment of exposure.

⚠️WARNING: The vibration emission during actual use of the power tool can differ from the declared value(s) depending on the ways in which the tool is used especially what kind of workpiece is processed.

⚠️WARNING: Be sure to identify safety measures to protect the operator that are based on an estimation of exposure in the actual conditions of use (taking account of all parts of the operating cycle such as the times when the tool is switched off and when it is running idle in addition to the trigger time).

⚠️WARNING: The declared vibration emission value is used for main applications of the power tool. However if the power tool is used for other applications, the vibration emission value may be different.

SAFETY WARNINGS

General power tool safety warnings

⚠️WARNING: Read all safety warnings and all instructions. Failure to follow the warnings and instructions may result in electric shock, fire and/or serious injury.

Save all warnings and instructions for future reference.

The term "power tool" in the warnings refers to your mains-operated (corded) power tool or battery-operated (cordless) power tool.

Work area safety

1. **Keep work area clean and well lit.** Cluttered or dark areas invite accidents.
2. **Do not operate power tools in explosive atmospheres, such as in the presence of flammable liquids, gases or dust.** Power tools create sparks which may ignite the dust or fumes.
3. **Keep children and bystanders away while operating a power tool.** Distractions can cause you to lose control.

Electrical Safety

1. **Power tool plugs must match the outlet. Never modify the plug in any way. Do not use any adapter plugs with earthed (grounded) power tools.** Unmodified plugs and matching outlets will reduce risk of electric shock.
2. **Avoid body contact with earthed or grounded surfaces, such as pipes, radiators, ranges and refrigerators.** There is an increased risk of electric shock if your body is earthed or grounded.
3. **Do not expose power tools to rain or wet conditions.** Water entering a power tool will increase the risk of electric shock.
4. **Do not abuse the cord. Never use the cord for carrying, pulling or unplugging the power tool. Keep cord away from heat, oil, sharp edges or moving parts.** Damaged or entangled cords increase the risk of electric shock.

5. **When operating a power tool outdoors, use an extension cord suitable for outdoor use.** Use of a cord suitable for outdoor use reduces the risk of electric shock.
6. **If operating a power tool in a damp location is unavoidable, use a residual current device (RCD) protected supply.** Use of an RCD reduces the risk of electric shock.
7. **Use of power supply via an RCD with a rated residual current of 30 mA or less is always recommended.**

Personal Safety

1. **Stay alert, watch what you are doing and use common sense when operating a power tool. Do not use a power tool while you are tired or under the influence of drugs, alcohol or medication.** A moment of inattention while operating power tools may result in serious personal injury.
2. **Use personal protective equipment. Always wear eye protection.** Protective equipment such as a dust mask, non-skid safety shoes, hard hat or hearing protection used for appropriate conditions will reduce personal injuries.
3. **Prevent unintentional starting. Ensure the switch is in the off-position before connecting to power source and/or battery pack, picking up or carrying the tool.** Carrying power tools with your finger on the switch or energising power tools that have the switch on invites accidents.
4. **Remove any adjusting key or wrench before turning the power tool on.** A wrench or a key left attached to a rotating part of the power tool may result in personal injury.
5. **Do not overreach. Keep proper footing and balance at all times.** This enables better control of the power tool in unexpected situations.
6. **Dress properly. Do not wear loose clothing or jewellery. Keep your hair, clothing, and gloves away from moving parts.** Loose clothes, jewellery or long hair can be caught in moving parts.
7. **If devices are provided for the connection of dust extraction and collection facilities, ensure these are connected and properly used.** Use of dust collection can reduce dust-related hazards.

Power tool use and care

1. **Do not force the power tool. Use the correct power tool for your application.** The correct power tool will do the job better and safer at the rate for which it was designed.
2. **Do not use the power tool if the switch does not turn it on and off.** Any power tool that cannot be controlled with the switch is dangerous and must be repaired.
3. **Disconnect the plug from the power source and/or the battery pack from the power tool before making any adjustments, changing accessories, or storing power tools.** Such preventive safety measures reduce the risk of starting the power tool accidentally.
4. **Store idle power tools out of the reach of children and do not allow persons unfamiliar with the power tool or these instructions to operate the power tool.** Power tools are dangerous in the hands of untrained users.

5. **Maintain power tools. Check for misalignment or binding of moving parts, breakage of parts and any other condition that may affect the power tool's operation. If damaged, have the power tool repaired before use.** Many accidents are caused by poorly maintained power tools.
6. **Keep cutting tools sharp and clean.** Properly maintained cutting tools with sharp cutting edges are less likely to bind and are easier to control.
7. **Use the power tool, accessories and tool bits etc. in accordance with these instructions, taking into account the working conditions and the work to be performed.** Use of the power tool for operations different from those intended could result in a hazardous situation.

Service

1. **Have your power tool serviced by a qualified repair person using only identical replacement parts.** This will ensure that the safety of the power tool is maintained.
2. **Follow instruction for lubricating and changing accessories.**
3. **Keep handles dry, clean and free from oil and grease.**

Grinder safety warnings

Safety Warnings Common for Grinding Operations:

1. **This power tool is intended to function as a grinder. Read all safety warnings, instructions, illustrations and specifications provided with this power tool.** Failure to follow all instructions listed below may result in electric shock, fire and/or serious injury.
 2. **Operations such as sanding, wire brushing, polishing or cutting-off are not recommended to be performed with this power tool.** Operations for which the power tool was not designed may create a hazard and cause personal injury.
 3. **Do not use accessories which are not specifically designed and recommended by the tool manufacturer.** Just because the accessory can be attached to your power tool, it does not assure safe operation.
 4. **The rated speed of the accessory must be at least equal to the maximum speed marked on the power tool.** Accessories running faster than their rated speed can break and fly apart.
 5. **The outside diameter and the thickness of your accessory must be within the capacity rating of your power tool.** Incorrectly sized accessories cannot be adequately guarded or controlled.
 6. **Threaded mounting of accessories must match the grinder spindle thread. For accessories mounted by flanges, the arbour hole of the accessory must fit the locating diameter of the flange.** Accessories that do not match the mounting hardware of the power tool will run out of balance, vibrate excessively and may cause loss of control.
 7. **Do not use a damaged accessory. Before each use inspect the accessory such as abrasive wheels for chips and cracks, backing pad for cracks, tear or excess wear. If power tool or accessory is dropped, inspect for damage or install an undamaged accessory. After inspecting**
- and installing an accessory, position yourself and bystanders away from the plane of the rotating accessory and run the power tool at maximum no-load speed for one minute. Damaged accessories will normally break apart during this test time.
 8. **Wear personal protective equipment. Depending on application, use face shield, safety goggles or safety glasses. As appropriate, wear dust mask, hearing protectors, gloves and workshop apron capable of stopping small abrasive or workpiece fragments.** The eye protection must be capable of stopping flying debris generated by various operations. The dust mask or respirator must be capable of filtering particles generated by your operation. Prolonged exposure to high intensity noise may cause hearing loss.
 9. **Keep bystanders a safe distance away from work area. Anyone entering the work area must wear personal protective equipment.** Fragments of workpiece or of a broken accessory may fly away and cause injury beyond immediate area of operation.
 10. **Hold the power tool by insulated gripping surfaces only, when performing an operation where the cutting accessory may contact hidden wiring or its own cord.** Cutting accessory contacting a "live" wire may make exposed metal parts of the power tool "live" and could give the operator an electric shock.
 11. **Position the cord clear of the spinning accessory.** If you lose control, the cord may be cut or snagged and your hand or arm may be pulled into the spinning accessory.
 12. **Never lay the power tool down until the accessory has come to a complete stop.** The spinning accessory may grab the surface and pull the power tool out of your control.
 13. **Do not run the power tool while carrying it at your side.** Accidental contact with the spinning accessory could snag your clothing, pulling the accessory into your body.
 14. **Regularly clean the power tool's air vents.** The motor's fan will draw the dust inside the housing and excessive accumulation of powdered metal may cause electrical hazards.
 15. **Do not operate the power tool near flammable materials.** Sparks could ignite these materials.
 16. **Do not use accessories that require liquid coolants.** Using water or other liquid coolants may result in electrocution or shock.

Kickback and Related Warnings

Kickback is a sudden reaction to a pinched or snagged rotating wheel, backing pad, brush or any other accessory. Pinching or snagging causes rapid stalling of the rotating accessory which in turn causes the uncontrolled power tool to be forced in the direction opposite of the accessory's rotation at the point of the binding. For example, if an abrasive wheel is snagged or pinched by the workpiece, the edge of the wheel that is entering into the pinch point can dig into the surface of the material causing the wheel to climb out or kick out. The wheel may either jump toward or away from the operator, depending on direction of the wheel's movement at the point of pinching. Abrasive wheels may also break under these conditions.

Kickback is the result of power tool misuse and/or incorrect operating procedures or conditions and can be avoided by taking proper precautions as given below.

1. **Maintain a firm grip on the power tool and position your body and arm to allow you to resist kickback forces. Always use auxiliary handle, if provided, for maximum control over kickback or torque reaction during start-up.**
The operator can control torque reactions or kickback forces, if proper precautions are taken.
2. **Never place your hand near the rotating accessory.** Accessory may kickback over your hand.
3. **Do not position your body in the area where power tool will move if kickback occurs.**
Kickback will propel the tool in direction opposite to the wheel's movement at the point of snagging.
4. **Use special care when working corners, sharp edges etc. Avoid bouncing and snagging the accessory.** Corners, sharp edges or bouncing have a tendency to snag the rotating accessory and cause loss of control or kickback.
5. **Do not attach a saw chain woodcarving blade or toothed saw blade.** Such blades create frequent kickback and loss of control.

Safety Warnings Specific for Grinding Operation:

1. **Use only wheel types that are recommended for your power tool and the specific guard designed for the selected wheel.** Wheels for which the power tool was not designed cannot be adequately guarded and are unsafe.
2. **The grinding surface of centre depressed wheels must be mounted below the plane of the guard lip.** An improperly mounted wheel that projects through the plane of the guard lip cannot be adequately protected.
3. **The guard must be securely attached to the power tool and positioned for maximum safety, so the least amount of wheel is exposed towards the operator.** The guard helps to protect the operator from broken wheel fragments, accidental contact with wheel and sparks that could ignite clothing.
4. **Wheels must be used only for recommended applications. For example: do not grind with the side of cut-off wheel.** Abrasive cut-off wheels are intended for peripheral grinding, side forces applied to these wheels may cause them to shatter.
5. **Always use undamaged wheel flanges that are of correct size and shape for your selected wheel.** Proper wheel flanges support the wheel thus reducing the possibility of wheel breakage. Flanges for cut-off wheels may be different from grinding wheel flanges.
6. **Do not use worn down wheels from larger power tools.** Wheel intended for larger power tool is not suitable for the higher speed of a smaller tool and may burst.

Additional Safety Warnings:

1. **When using depressed centre grinding wheels, be sure to use only fiberglass-reinforced wheels.**

2. **NEVER USE Stone Cup type wheels with this grinder.** This grinder is not designed for these types of wheels and the use of such a product may result in serious personal injury.
3. **Be careful not to damage the spindle, the flange (especially the installing surface) or the lock nut.** Damage to these parts could result in wheel breakage.
4. **Make sure the wheel is not contacting the workpiece before the switch is turned on.**
5. **Before using the tool on an actual workpiece, let it run for a while. Watch for vibration or wobbling that could indicate poor installation or a poorly balanced wheel.**
6. **Use the specified surface of the wheel to perform the grinding.**
7. **Do not leave the tool running. Operate the tool only when hand-held.**
8. **Do not touch the workpiece immediately after operation; it may be extremely hot and could burn your skin.**
9. **Observe the instructions of the manufacturer for correct mounting and use of wheels. Handle and store wheels with care.**
10. **Do not use separate reducing bushings or adaptors to adapt large hole abrasive wheels.**
11. **Use only flanges specified for this tool.**
12. **For tools intended to be fitted with threaded hole wheel, ensure that the thread in the wheel is long enough to accept the spindle length.**
13. **Check that the workpiece is properly supported.**
14. **Pay attention that the wheel continues to rotate after the tool is switched off.**
15. **If working place is extremely hot and humid, or badly polluted by conductive dust, use a short-circuit breaker (30 mA) to assure operator safety.**
16. **Do not use the tool on any materials containing asbestos.**
17. **Do not use cloth work gloves during operation.** Fibers from cloth gloves may enter the tool, which causes tool breakage.

SAVE THESE INSTRUCTIONS.

⚠WARNING: DO NOT let comfort or familiarity with product (gained from repeated use) replace strict adherence to safety rules for the subject product. MISUSE or failure to follow the safety rules stated in this instruction manual may cause serious personal injury.

FUNCTIONAL DESCRIPTION

CAUTION: Always be sure that the tool is switched off and unplugged before adjusting or checking function on the tool.

Shaft lock

Press the shaft lock to prevent spindle rotation when installing or removing accessories.

► Fig.1: 1. Shaft lock

NOTICE: Never actuate the shaft lock when the spindle is moving. The tool may be damaged.

Switch action

CAUTION: Before plugging in the tool, always check to see that the slide switch actuates properly and returns to the "OFF" position when the rear of the slide switch is depressed.

CAUTION: Switch can be locked in "ON" position for ease of operator comfort during extended use. Apply caution when locking tool in "ON" position and maintain firm grasp on tool.

To start the tool, slide the slide switch toward the "I (ON)" position by pushing the rear of the slide switch. For continuous operation, press the front of the slide switch to lock it.

To stop the tool, press the rear of the slide switch, then slide it toward the "O (OFF)" position.

► Fig.2: 1. Slide switch

ASSEMBLY

CAUTION: Always be sure that the tool is switched off and unplugged before carrying out any work on the tool.

Installing side grip (handle)

Optional accessory for M9506 in some countries

CAUTION: Always be sure that the side grip is installed securely before operation.

Screw the side grip securely on the position of the tool as shown in the figure.

► Fig.3

Installing or removing wheel guard (For depressed center wheel)

WARNING: When using a depressed center wheel, the wheel guard must be fitted on the tool so that the closed side of the guard always points toward the operator.

Mount the wheel guard with the protrusions on the wheel guard band aligned with the notches on the bearing box. Then rotate the wheel guard to such an angle that it can protect the operator according to work. Be sure to tighten the screw securely.

To remove wheel guard, follow the installation procedure in reverse.

► Fig.4: 1. Wheel guard 2. Bearing box 3. Screw

Installing or removing depressed center wheel

Optional accessory

WARNING: When using a depressed center wheel, the wheel guard must be fitted on the tool so that the closed side of the guard always points toward the operator.

CAUTION: Make sure that the mounting part of the inner flange fits into the inner diameter of the depressed center wheel perfectly. Mounting the inner flange on the wrong side may result in the dangerous vibration.

Mount the inner flange onto the spindle. Make sure to fit the straight part of the inner flange onto the straight part at the bottom of the spindle. Fit the depressed center wheel on the inner flange and screw the lock nut onto the spindle.

In case of mounting a depressed center wheel thinner than 4 mm (5/32"), place the lock nut so that the protrusion on the lock nut faces outside. Otherwise, place it so that the protrusion on it fits into the inner diameter of the wheel.

► Fig.5: 1. Lock nut 2. Depressed center wheel 3. Inner flange 4. Mounting part

To tighten the lock nut, press the shaft lock firmly so that the spindle cannot revolve, then use the lock nut wrench and securely tighten clockwise.

► Fig.6: 1. Lock nut wrench 2. Shaft lock

To remove the wheel, follow the installation procedure in reverse.

OPERATION

⚠ WARNING: It should never be necessary to force the tool. The weight of the tool applies adequate pressure. Forcing and excessive pressure could cause dangerous wheel breakage.

⚠ WARNING: ALWAYS replace wheel if tool is dropped while grinding.

⚠ WARNING: NEVER bang or hit grinding disc or wheel onto work.

⚠ WARNING: Avoid bouncing and snagging the wheel, especially when working corners, sharp edges etc. This can cause loss of control and kickback.

⚠ WARNING: NEVER use tool with wood cutting blades and other saw blades. Such blades when used on a grinder frequently kick and cause loss of control leading to personal injury.

⚠ CAUTION: Never switch on the tool when it is in contact with the workpiece, it may cause an injury to operator.

⚠ CAUTION: Always wear safety goggles or a face shield during operation.

⚠ CAUTION: After operation, always switch off the tool and wait until the wheel has come to a complete stop before putting the tool down.

⚠ CAUTION: ALWAYS hold the tool firmly with one hand on housing and the other on the side grip (handle).

Grinding operation

Turn the tool on and then apply the wheel or disc to the workpiece.

In general, keep the edge of the wheel or disc at an angle of about 15° to the workpiece surface.

During the break-in period with a new wheel, do not work the grinder in forward direction or it may cut into the workpiece. Once the edge of the wheel has been rounded off by use, the wheel may be worked in both forward and backward direction.

Without side grip

only for M9506

ALWAYS hold the tool firmly with only one hand on housing. Do not touch the metal part.

► Fig.7

With side grip

optional accessory for M9506 in some countries

ALWAYS hold the tool firmly with one hand on housing and the other on the side grip.

► Fig.8

MAINTENANCE

⚠ CAUTION: Always be sure that the tool is switched off and unplugged before attempting to perform inspection or maintenance.

NOTICE: Never use gasoline, benzine, thinner, alcohol or the like. Discoloration, deformation or cracks may result.

To maintain product SAFETY and RELIABILITY, repairs, carbon brush inspection and replacement, any other maintenance or adjustment should be performed by Makita Authorized or Factory Service Centers, always using Makita replacement parts.

ТЕХНИЧЕСКИЕ ХАРАКТЕРИСТИКИ

Модель:	M9506	M9507	M9508
Диаметр диска	100 мм	115 мм	125 мм
Макс. толщина диска	4 мм	6,4 мм	
Резьба шпинделя	M10 x 1,5	M14 x 2	
Номинальное число оборотов (n) / число оборотов без нагрузки (n ₀)	11 000 мин ⁻¹		
Общая длина	261 мм		
Масса нетто	1,6 кг	1,9 кг	
Класс безопасности	□/II		

- Благодаря нашей постоянно действующей программе исследований и разработок указанные здесь технические характеристики могут быть изменены без предварительного уведомления.
- Технические характеристики могут различаться в зависимости от страны.
- Масса в соответствии с процедурой EPTA 01/2003

Символы

Ниже приведены символы, используемые для обозначения. Перед использованием убедитесь, что вы понимаете их значение.



Прочитайте руководство по эксплуатации.



Надевайте защитные очки.



ДВОЙНАЯ ИЗОЛЯЦИЯ



Только для стран ЕС
Не выбрасывайте электрическое оборудование вместе с обычным мусором! В рамках соблюдения Европейской Директивы по утилизации электрического и электронного оборудования и ее применения в соответствии с национальным законодательством, электрооборудование в конце срока своей службы должно утилизироваться отдельно и передаваться для утилизации на предприятие, соответствующее применяемым правилам охраны окружающей среды.

Назначение

Инструмент предназначен для шлифования материалов из металла и камня без использования воды.

Источник питания

Данный инструмент должен подключаться к источнику питания с напряжением, соответствующим напряжению, указанному на идентификационной пластине, и может работать только от однофазного источника переменного тока. Он имеет двойную изоляцию и поэтому может подключаться к розеткам без заземления.

Шум

Типичный уровень взвешенного звукового давления (A), измеренный в соответствии с EN60745:

Модель M9506

Уровень звукового давления (L_{рА}): 86 дБ (A)
Уровень звуковой мощности (L_{wA}): 97 дБ (A)
Погрешность (K): 3 дБ (A)

Модель M9507

Уровень звукового давления (L_{рА}): 88 дБ (A)
Уровень звуковой мощности (L_{wA}): 99 дБ (A)
Погрешность (K): 3 дБ (A)

Модель M9508

Уровень звукового давления (L_{рА}): 88 дБ (A)
Уровень звуковой мощности (L_{wA}): 99 дБ (A)
Погрешность (K): 3 дБ (A)

▲ ОСТОРОЖНО: Используйте средства защиты слуха.

Вибрация

Суммарное значение вибрации (сумма векторов по трем осям), определенное в соответствии с EN60745:

Модель M9506

Рабочий режим: плоское шлифование
Распространение вибрации (a_{н, АС}): 6,5 м/с²
Погрешность (K): 1,5 м/с²

Модель M9507

Рабочий режим: плоское шлифование
Распространение вибрации (a_{н, АС}): 7,0 м/с²
Погрешность (K): 1,5 м/с²

Модель M9508

Рабочий режим: плоское шлифование
Распространение вибрации (a_{н, АС}): 7,0 м/с²
Погрешность (K): 1,5 м/с²

ПРИМЕЧАНИЕ: Заявленное общее значение распространения вибрации измерено в соответствии со стандартной методикой испытаний и может быть использовано для сравнения инструментов.

ПРИМЕЧАНИЕ: Заявленное общее значение распространения вибрации можно также использовать для предварительных оценок воздействия.

⚠ОСТОРОЖНО: Распространение вибрации во время фактического использования электроинструмента может отличаться от заявленного значения в зависимости от способа применения инструмента и в особенности от типа обрабатываемой детали.

⚠ОСТОРОЖНО: Обязательно определите меры безопасности для защиты оператора, основанные на оценке воздействия в реальных условиях использования (с учетом всех этапов рабочего цикла, таких как выключение инструмента, работа без нагрузки и включение).

⚠ОСТОРОЖНО: Заявленное значение распространения вибрации относится к основным операциям, выполняемым с помощью электроинструмента. Однако если электроинструмент используется для других целей, уровень вибрации может отличаться.

МЕРЫ БЕЗОПАСНОСТИ

Общие рекомендации по технике безопасности для электроинструментов

⚠ОСТОРОЖНО: Ознакомьтесь со всеми инструкциями и рекомендациями по технике безопасности. Невыполнение инструкций и рекомендаций может привести к поражению электротокком, пожару и/или тяжелым травмам.

Сохраните брошюру с инструкциями и рекомендациями для дальнейшего использования.

Термин "электроинструмент" в предупреждениях относится ко всему инструменту, работающему от сети (с проводом) или на аккумуляторах (без провода).

Безопасность в месте выполнения работ

1. Рабочее место должно быть чистым и хорошо освещенным. Захламление и плохое освещение могут стать причиной несчастных случаев.
2. Не пользуйтесь электроинструментом во взрывоопасной атмосфере, например в присутствии легко воспламеняющихся жидкостей, газов или пыли. При работе электроинструмента возникают искры, которые могут привести к воспламенению пыли или газов.

3. При работе с электроинструментом не допускайте детей или посторонних к месту выполнения работ. Не отвлекайтесь во время работы, так как это приведет к потере контроля над электроинструментом.

Электробезопасность

1. Вилка электроинструмента должна соответствовать сетевой розетке. Запрещается вносить какие-либо изменения в конструкцию вилки. Для электроинструмента с заземлением запрещается использовать переходники. Розетки и вилки, не подвергавшиеся изменениям, снижают риск поражения электрическим током.
2. Избегайте контакта участков тела с заземленными поверхностями, такими как трубы, радиаторы, батареи отопления и холодильники. При контакте тела с заземленными предметами увеличивается риск поражения электрическим током.
3. Не подвергайте электроинструмент воздействию дождя или влаги. Попадание воды в электроинструмент повышает риск поражения электрическим током.
4. Аккуратно обращайтесь со шнуром питания. Запрещается использовать шнур питания для переноски, перемещения или извлечения вилки из розетки. Располагайте шнур на расстоянии от источников тепла, масла, острых краев и движущихся деталей. Поврежденные или запутанные сетевые шнуры увеличивают риск поражения электрическим током.
5. При использовании электроинструмента вне помещения используйте удлинитель, подходящий для этих целей. Использование соответствующего шнура снижает риск поражения электрическим током.
6. Если электроинструмент приходится эксплуатировать в сыром месте, используйте линию электропитания, которая защищена устройством, срабатывающим от остаточного тока (RCD). Использование RCD снижает риск поражения электротоком.
7. Рекомендуется использовать питание через RCD с номинальным остаточным током 30 мА или менее.

Личная безопасность

1. При использовании электроинструмента будьте бдительны, следите за тем, что вы делаете, и руководствуйтесь здравым смыслом. Не пользуйтесь электроинструментом, если вы устали, находитесь под воздействием наркотиков, алкоголя или лекарственных препаратов. Даже мгновенная невнимательность при использовании электроинструмента может привести к серьезной травме.
2. Используйте индивидуальные средства защиты. Всегда надевайте защитные очки. Такие средства индивидуальной защиты, как маска от пыли, защитная нескользящая обувь, каска или наушники, используемые в соответствующих условиях, позволяют снизить риск получения травмы.

3. Не допускайте случайного запуска. Прежде чем подсоединять инструмент к источнику питания и/или аккумуляторной батарее, поднимать или переносить инструмент, убедитесь, что переключатель находится в выключенном положении. Переноска электроинструмента с пальцем на выключателе или подача питания на инструмент с включенным выключателем может привести к несчастному случаю.
4. Перед включением электроинструмента снимите с него все регулировочные инструменты и гаечные ключи. Гаечный или регулировочный ключ, оставшийся закрепленным на вращающейся детали, может привести к травме.
5. При эксплуатации устройства не тянитесь. Всегда сохраняйте устойчивое положение и равновесие. Это позволит лучше управлять электроинструментом в непредвиденных ситуациях.
6. Одевайтесь соответствующим образом. Не надевайте свободную одежду или украшения. Ваши волосы, одежда и перчатки должны всегда находиться на расстоянии от движущихся деталей. Свободная одежда, украшения или длинные волосы могут попасть в движущиеся детали устройства.
7. Если электроинструмент оборудован системой удаления и сбора пыли, убедитесь, что она подключена и используется соответствующим образом. Использование пылесборника снижает вероятность возникновения рисков, связанных с пылью.
6. Режущий инструмент всегда должен быть острым и чистым. Соответствующее обращение с режущим инструментом, имеющим острые режущие кромки, делает его менее подверженным деформациям, что позволяет лучше управлять им.
7. Используйте электроинструмент, принадлежности, приспособления и насадки в соответствии с данными инструкциями и в целях, для которых он предназначен, учитывая при этом условия и вид выполняемой работы. Использование электроинструмента не по назначению может привести к возникновению опасной ситуации.

Сервисное обслуживание

1. Сервисное обслуживание электроинструмента должно проводиться только квалифицированным специалистом по ремонту и только с использованием идентичных запасных частей. Это позволит обеспечить безопасность электроинструмента.
2. Следуйте инструкциям по смазке и замене принадлежностей.
3. Ручки инструмента всегда должны быть сухими и чистыми и не должны быть испачканы маслом или смазкой.

Правила техники безопасности при эксплуатации шлифмашины

Эксплуатация и обслуживание электроинструмента

1. Не прилагайте излишних усилий к электроинструменту. Используйте инструмент, соответствующий выполняемой вами работе. Правильно подобранный электроинструмент позволит выполнить работу лучше и безопаснее с производительностью, на которую он рассчитан.
2. Не пользуйтесь электроинструментом с неисправным выключателем. Любой электроинструмент с неисправным выключателем опасен и должен быть отремонтирован.
3. Перед выполнением регулировок, сменой принадлежностей или хранением электроинструмента всегда отключайте его от источника питания и/или от аккумулятора. Такие превентивные меры предосторожности снижают риск случайного включения электроинструмента.
4. Храните электроинструменты в местах, недоступных для детей, и не позволяйте лицам, не знакомым с работой такого инструмента или не прочитавшим данные инструкции, пользоваться им. Электроинструмент опасен в руках неопытных пользователей.
5. Содержите инструмент в порядке. Убедитесь в соосности, отсутствии деформаций движущихся узлов, поломок каких-либо деталей или других дефектов, которые могут повлиять на работу электроинструмента. Если инструмент поврежден, отремонтируйте его перед использованием. Большое число несчастных случаев происходит из-за плохого ухода за электроинструментом.

Правила техники безопасности при шлифовании:

1. Данный электроинструмент предназначен для использования в качестве шлифовального круга. Ознакомьтесь со всеми представленными инструкциями по технике безопасности, указаниями, иллюстрациями и техническими характеристиками, прилагаемыми к данному электроинструменту. Несоблюдение каких-либо инструкций, указанных ниже, может привести к поражению электрическим током, пожару и/или серьезной травме.
2. Не рекомендуется применять этот инструмент для выполнения таких операций, как шлифование наждачной бумагой, очистка проволочной щеткой, полировка или отрезание. Использование инструмента не по прямому назначению может привести к опасной ситуации и стать причиной травмы.
3. Не используйте принадлежности других производителей, не рекомендованные производителем данного инструмента. Даже если принадлежность удастся закрепить на инструменте, это не обеспечит безопасность эксплуатации.
4. Номинальная скорость принадлежностей должна быть как минимум равна максимальной скорости, обозначенной на инструменте. При превышении номинальной скорости принадлежность она может разломиться на части.
5. Внешний диаметр и толщина принадлежности должны соответствовать номинальной мощности инструмента. Принадлежности, размер которых подобран неверно, не гарантируют безопасности и точности управления.

6. **Резьбовые отверстия дополнительных принадлежностей должны совпадать с резьбой шпинделя шлифмашины. Для принадлежностей, устанавливаемых с помощью фланцев, отверстие для шпинделя на принадлежности должно соответствовать диаметру фланца.** Принадлежности, не соответствующие монтажному креплению электроинструмента, приведут к разбалансировке, сильной вибрации и потере контроля.
 7. **Не используйте поврежденные принадлежности. Перед каждым использованием осматривайте принадлежности (например, абразивные диски) на предмет сколов и трещин, а опорные фланцы — на наличие трещин, задиров или чрезмерного износа. Если вы уронили инструмент или принадлежность, осмотрите их на предмет повреждений или установите исправную принадлежность. После осмотра и установки принадлежности встаньте в безопасном положении относительно плоскости вращения принадлежности (и проследите, чтобы это сделали окружающие) и включите инструмент на максимальной скорости без нагрузки на одну минуту.** Поврежденная принадлежность обычно ломается в течение этого пробного периода.
 8. **Надевайте индивидуальные средства защиты. В зависимости от выполняемых операций используйте защитную маску или защитные очки. При необходимости надевайте респиратор, средство защиты органов слуха, перчатки и защитный передник для защиты от небольших частиц абразивных материалов или детали.** Средства защиты органов зрения должны предохранять от летящих фрагментов, появляющихся при выполнении различных операций. Пылезащитная маска или респиратор должны обеспечивать фильтрацию пыли, возникающей во время работы. Продолжительное воздействие сильного шума может стать причиной потери слуха.
 9. **Посторонние лица должны находиться на безопасном расстоянии от рабочей зоны. Любой приближающийся к рабочему месту человек должен предварительно надеть индивидуальные средства защиты.** Осколки заготовки или сломавшейся принадлежности могут разлететься и причинить травму даже на значительном удалении от рабочего места.
 10. **Если при выполнении работ существует риск контакта режущего инструмента со скрытой электропроводкой или собственным шнуром питания, держите электроинструмент только за специально предназначенные изолированные рукоятки.** Контакт с проводом под напряжением может стать причиной поражения оператора током.
 11. **Располагайте шнур на расстоянии от вращающейся насадки. Если вы не удержите инструмент, возможно случайное разрезание или повреждение шнура, а также затягивание руки вращающейся принадлежностью.**
 12. **Не кладите инструмент, пока принадлежность полностью не остановится.** Вращающаяся насадка может коснуться поверхности, и вы не удержите инструмент.
 13. **Не включайте инструмент во время переноски.** Случайный контакт с вращающейся принадлежностью может привести к защемлению одежды и притягиванию принадлежности к телу.
 14. **Регулярно прочищайте вентиляционные отверстия инструмента.** Вентилятор электродвигателя засасывает пыль внутрь корпуса, а значительные отложения металлической пыли могут привести к поражению электрическим током.
 15. **Не используйте инструмент вблизи горючих материалов.** Эти материалы могут воспламениться от искр.
 16. **Не используйте принадлежности, требующие жидкостного охлаждения.** Использование воды или других охлаждающих жидкостей может привести к поражению электротоком.
- Отдача и соответствующие предупреждения**
Отдача – это мгновенная реакция на неожиданное застопоривание вращающегося диска, опорной подушки, щетки или другой принадлежности. Зажимание или застопоривание вызывает резкий останов вращающейся принадлежности, что, в свою очередь, приводит к неконтролируемому рывку инструмента в направлении, противоположном вращению принадлежности в момент застревания. Например, если абразивный диск зажимается или прихватывается деталью, край диска, находящийся в точке заклинивания, может углубиться в поверхность детали, что приведет к выкатыванию или выскакиванию диска. Диск может совершить рывок в направлении оператора или обратно, в зависимости от направления перемещения диска в точке заклинивания. Также в этих условиях абразивные диски могут сломаться.
- Отдача – это результат неправильного использования электроинструмента и/или неправильных методов или условий работ, чего можно избежать, соблюдая нижеуказанные меры предосторожности.
1. **Крепко держите электроинструмент и располагайте свое тело и руки так, чтобы можно было сопротивляться силам отдачи. Обязательно пользуйтесь вспомогательной рукояткой (при наличии), чтобы обеспечить максимальный контроль над отдачей или крутящим моментом во время пуска.** Оператор способен справиться с крутящим моментом и силами отдачи при условии соблюдения соответствующих мер безопасности.
 2. **Берегите руки от вращающейся насадки.** При отдаче насадка может задеть ваши руки.
 3. **Не становитесь на возможной траектории движения инструмента в случае отдачи.** При отдаче инструмент сместится в направлении, противоположном вращению диска в момент застревания.
 4. **Соблюдайте особую осторожность при обработке углов, острых краев и т. п. Не допускайте ударов и застревания принадлежности.** Углы, острые края и удары способствуют прихватыванию вращающейся принадлежности, которое приводит к выходу из-под контроля или отдаче.

5. Не устанавливайте на инструмент пильную цепь, принадлежность для резьбы по дереву или пильный диск. Такие пилы часто дают отдачу и приводят к потере контроля.
5. Перед использованием инструмента на реальной детали дайте ему немного поработать вхолостую. Следите за вибрацией или биением, которые могут свидетельствовать о неправильной установке или плохой балансировке диска.

Особые инструкции по технике безопасности, относящиеся к операциям шлифовки:

1. Используйте диски только рекомендованных для вашего электроинструмента типов и специальные защитные приспособления, разработанные для выбранного диска. Диски, не предназначенные для данного инструмента, не обеспечивают достаточную степень защиты и небезопасны.
2. Шлифовальная поверхность дисков с утопленным центром должна быть установлена под плоской поверхностью кромки кожуха. Для неправильно установленного диска, выступающего над плоской поверхностью кромки кожуха, надлежащая защита не гарантируется.
3. Ограждение должно быть надежно закреплено на инструменте и расположено для обеспечения максимальной защиты таким образом, чтобы как можно меньший сегмент диска выступал наружу. Кожух помогает обезопасить оператора от разлета осколков разрушившегося диска, случайного прикосновения к диску и искр, которые могут воспламенить одежду.
4. Диски должны использоваться только по рекомендованному назначению. Например: не шлифуйте краем отрезного диска. Абразивные отрезные диски предназначены для периферийного шлифования, и боковые усилия, приложенные к таким дискам, могут вызвать их разрушение.
5. Обязательно используйте неповрежденные фланцы для дисков соответствующего размера и формы. Подходящие фланцы поддерживают диск, снижая вероятность его повреждения. Фланцы для отрезных дисков могут отличаться от фланцев для шлифовальных дисков.
6. Не используйте изношенные диски от более крупных электроинструментов. Диски, предназначенные для более мощного электроинструмента, не подходят для высокоскоростного электроинструмента меньшей мощности и могут разломиться.
6. Для выполнения шлифования пользуйтесь соответствующей поверхностью диска.
7. Не оставляйте работающий инструмент без присмотра. Включайте инструмент только тогда, когда он находится в руках.
8. Сразу после окончания работ не прикасайтесь к обработанной детали. Она может быть очень горячей, что приведет к ожогам кожи.
9. Соблюдайте инструкции изготовителя по правильной установке и использованию дисков. Бережно обращайтесь с дисками и аккуратно храните их.
10. Не пользуйтесь отдельными переходными втулками или адаптерами для крепления абразивных дисков с большими отверстиями.
11. Пользуйтесь только фланцами, предназначенными для данного инструмента.
12. Для инструментов, предназначенных для использования дисков с резьбовым отверстием, убедитесь, что резьба диска достаточна, чтобы диск можно было полностью завернуть на шпindel.
13. Убедитесь, что обрабатываемая деталь имеет надлежащую опору.
14. Обратите внимание на то, что диск будет некоторое время вращаться после выключения инструмента.
15. Если в месте выполнения работ очень высокая температура и влажность или наблюдается большое количество токопроводящей пыли, используйте прерыватель цепи (30 мА) для обеспечения безопасности работ.
16. Не используйте инструмент на любых материалах, содержащих асбест.
17. Не пользуйтесь тканевыми перчатками во время работы. Волокна от тканевых перчаток могут попасть в инструмент и привести к его поломке.

Дополнительные правила техники безопасности:

1. При применении дисков с утопленным центром используйте только диски, армированные стекловолокном.
2. **ЗАПРЕЩАЕТСЯ ИСПОЛЬЗОВАТЬ** с этим инструментом шлифовальные чашки для камня. Данная шлифмашина не предназначена для дисков такого типа, их использование может привести к тяжелой травме.
3. Будьте осторожны во избежание повреждения шпинделя, фланца (особенно его установочной поверхности) или контргайки. Повреждения этих деталей могут привести к поломке диска.
4. Перед включением выключателя убедитесь, что диск не касается детали.

СОХРАНИТЕ ДАННЫЕ ИНСТРУКЦИИ.

▲ОСТОРОЖНО: НЕ ДОПУСКАЙТЕ, чтобы удобство или опыт эксплуатации данного устройства (полученный от многократного использования) доминировали над строгим соблюдением правил техники безопасности при обращении с этим инструментом. **НЕПРАВИЛЬНОЕ ИСПОЛЬЗОВАНИЕ** инструмента или несоблюдение правил руководства безопасности, указанных в данном руководстве, может привести к тяжелой травме.

ОПИСАНИЕ РАБОТЫ

▲ВНИМАНИЕ: Перед регулировкой или проверкой функций инструмента обязательно убедитесь, что он выключен и его вилка вынута из розетки.

Фиксатор вала

Нажмите на фиксатор вала для предотвращения вращения шпинделя при установке или снятии дополнительных принадлежностей.

► **Рис.1:** 1. Фиксатор вала

ПРИМЕЧАНИЕ: Никогда не задействуйте фиксатор вала при вращающемся шпинделе. Это может привести к повреждению инструмента.

Действие выключателя

▲ВНИМАНИЕ: Перед включением штекера инструмента в розетку питания обязательно убедитесь, что ползунковый переключатель работает надлежащим образом и возвращается в положение “ВЫКЛ” при нажатии на его заднюю часть.

▲ВНИМАНИЕ: В случае продолжительной работы для удобства оператора переключатель можно зафиксировать в положении “ВКЛ.”. Соблюдайте осторожность при фиксации инструмента в положении “ВКЛ.” и крепко удерживайте инструмент.

Для включения инструмента переместите ползунковый переключатель в положение “I (ВКЛ.)”, нажав на заднюю часть переключателя. Для непрерывной работы нажмите на переднюю часть ползункового переключателя для его фиксации.

Для остановки инструмента нажмите на заднюю часть переключателя, после чего передвиньте его в положение “O (ВЫКЛ.)”.

► **Рис.2:** 1. Ползунковый переключатель

СБОРКА

▲ВНИМАНИЕ: Перед проведением каких-либо работ с инструментом обязательно проверьте, что инструмент выключен, а шнур питания вынут из розетки.

Установка боковой ручки (рукоятки)

Дополнительная принадлежность для M9506 в отдельных странах

▲ВНИМАНИЕ: Перед работой всегда проверьте надежность крепления боковой ручки.

Прочно закрепите боковую ручку на месте винтом, как показано на рисунке.

► **Рис.3**

Установка и снятие кожуха диска (для диска с утопленным центром)

▲ОСТОРОЖНО: При использовании диска с утопленным центром кожух диска должен быть установлен так, чтобы его закрытая сторона была обращена к оператору.

Установите защитный кожух так, чтобы выступы на его хомуте совместились с пазами на коробке подшипника. Затем установите кожух диска под таким углом, чтобы во время работы он защищал оператора. Проверьте, чтобы винт был надежно затянут. Для снятия кожуха диска выполните процедуру установки в обратном порядке.

► **Рис.4:** 1. Кожух диска 2. Коробка подшипника 3. Винт

Порядок установки или снятия диска с утопленным центром

Дополнительные принадлежности

▲ОСТОРОЖНО: При использовании диска с утопленным центром кожух диска должен быть установлен так, чтобы его закрытая сторона была обращена к оператору.

▲ВНИМАНИЕ: Убедитесь, что крепежный компонент внутреннего фланца идеально совпадает с внутренним диаметром диска с утопленным центром. Установка внутреннего фланца не с той стороны может привести к возникновению опасной вибрации.

Установите на шпиндель внутренний фланец. Убедитесь, что прямая часть внутреннего фланца установлена на ровный участок у нижней части шпинделя. Установите диск с утопленным центром на внутренний фланец и закрутите контргайку на шпинделе.

В случае установки диска с утопленным центром толщиной менее 4 мм (5/32дюйма), установите контргайку так, чтобы ее выступ был обращен наружу. Либо установите ее так, чтобы выступ гайки совпал с внутренним диаметром диска.

► **Рис.5:** 1. Контргайка 2. Диск с утопленным центром 3. Внутренний фланец 4. Крепежный компонент

Для затяжки контргайки сильно надавите на фиксатор вала, чтобы шпиндель не проворачивался, затем воспользуйтесь ключом контргайки и крепко затяните ее по часовой стрелке.

► **Рис.6:** 1. Ключ контргайки 2. Фиксатор вала

Для снятия диска выполните процедуру установки в обратном порядке.

ЭКСПЛУАТАЦИЯ

⚠ ОСТОРОЖНО: Никогда не прилагайте к инструменту чрезмерные усилия. Вес инструмента обеспечивает достаточное давление. Чрезмерное усилие и давление могут привести к опасному разрушению диска.

⚠ ОСТОРОЖНО: ОБЯЗАТЕЛЬНО замените диск, если при шлифовании инструмент упал.

⚠ ОСТОРОЖНО: ЗАПРЕЩАЕТСЯ стучать и бить шлифовальным кругом по обрабатываемой детали.

⚠ ОСТОРОЖНО: Избегайте подпрыгивания и зацепления диска, особенно при обработке углов, острых краев и т. д. Это может привести к потере контроля и отдаче.

⚠ ОСТОРОЖНО: Запрещается использовать инструмент с полотнами для обработки дерева или другими пильными дисками. При использовании на шлифмашине такие диски часто выскакивают, выходят из-под контроля и приводят к травмам.

⚠ ВНИМАНИЕ: Запрещается включать инструмент, если он касается обрабатываемого изделия. Это может стать причиной травмы оператора.

⚠ ВНИМАНИЕ: Во время выполнения операции всегда надевайте защитные очки или защитную маску.

⚠ ВНИМАНИЕ: После работы всегда отключайте инструмент и дождитесь полной остановки диска перед тем, как положить инструмент.

⚠ ВНИМАНИЕ: ВСЕГДА крепко держите инструмент, положив одну руку на корпус, а вторую - на боковую ручку (рукоятку).

Операция шлифовки

Включите инструмент, а затем прижмите диск или круг к обрабатываемой детали. Обычно следует держать край диска или круга под углом около 15 градусов относительно поверхности обрабатываемой детали. В период приработки нового диска не перемещайте шлифмашину вперед, поскольку диск может врезаться в обрабатываемую деталь. После того как кромка диска закруглится от использования, можно будет перемещать его в обоих направлениях (вперед и назад).

Без боковой ручки

только для M9506

ВСЕГДА крепко держите инструмент, положив только одну руку на корпус. Не касайтесь металлических деталей.

► Рис.7

С боковой ручкой

дополнительная принадлежность для M9506 в отдельных странах

ВСЕГДА крепко держите инструмент, положив одну руку на корпус, а вторую - на боковую ручку.

► Рис.8

ОБСЛУЖИВАНИЕ

⚠ ВНИМАНИЕ: Перед проверкой или проведением техобслуживания убедитесь, что инструмент выключен, а штекер отсоединен от розетки.

ПРИМЕЧАНИЕ: Запрещается использовать бензин, растворители, спирт и другие подобные жидкости. Это может привести к обесцвечиванию, деформации и трещинам.

Для обеспечения БЕЗОПАСНОСТИ и НАДЕЖНОСТИ изделия ремонт, проверка и замена угольных щеток и любые другие работы по техобслуживанию или регулировке должны осуществляться в уполномоченных сервис-центрах Makita с использованием запасных частей только производства компании Makita.

ТЕХНИКАЛЫҚ СИПАТТАМАЛАРЫ

Үлгі:	M9506	M9507	M9508
Дөңгелек диаметрі	100 мм	115 мм	125 мм
Дөңгелектің максималды қалыңдығы	4 мм	6,4 мм	
Шпindel ойығы	M10 x 1,5	M14 x 2	
Номиналды жылдамдығы (n)/жүктемесіз жылдамдығы (n ₀)	11 000 мин ⁻¹		
Жалпы ұзындығы	261 мм		
Таза салмағы	1,6 кг	1,9 кг	
Қауіпсіздік класы	□/II		

- Зерттеу мен әзірлеудің үздіксіз бағдарламасына байланысты осы құжаттағы техникалық сипаттамалар ескертусіз өзгертілуі мүмкін.
- Техникалық сипаттамалары әр елде әр түрлі болуы мүмкін.
- Салмағы EPTA-Procedure 01/2003 стандартына сәйкес

Белгілер

Төменде жабдықта пайдаланылған белгілер көрсетілген. Қолданар алдында олардың мағынасын түсініп алыңыз.



Пайдалану жөніндегі нұсқаулықты оқып шығыңыз.



Қауіпсіздік көзілдірігін тағыңыз.



ҚОС ҚАБАТТЫ ОҚШАУЛАУ



Тек ЕО елдері үшін
Электр жабдықты немесе аккумулятор блогын тұрмыстық қалдықтармен бірге тастамаңыз! Электр және электронды жабдықты қоқысқа тастау бойынша Еуропалық директиваның шарттары және ұлттық заңнамаға сәйкес жүзеге асырылуы бойынша, қызметтік мерзімі аяқталған электр жабдық бөлек жиналып, экологиялық тұрғыдан қауіпсіз утилизация пунктіне қайтарылуы тиіс.

Қолдану мақсаты

Құрал металды және тас материалдарды суды пайдаланбай ажарлауға арналған.

Қуат көзі

Құрал ақпараттық тақтайшада көрсетілген кернеумен бірдей қуат көзіне қосылуы керек және тек бір фазалы АТ көзімен жұмыс істеуі керек. Олардың қос қабатты оқшауламасы бар болғандықтан, жерге тұйықталмаған розеткаларды пайдалануға болады.

Шу

EN60745 стандартына сай анықталған стандартты А-өлшенген шу деңгейі:

M9506 үлгісі

Дыбыс қысымының деңгейі (L_{РА}): 86 дБА
Дыбыс қуатының деңгейі (L_{WA}): 97 дБА
Дәлсіздік (K): 3 дБА

M9507 үлгісі

Дыбыс қысымының деңгейі (L_{РА}): 88 дБА
Дыбыс қуатының деңгейі (L_{WA}): 99 дБА
Дәлсіздік (K): 3 дБА

M9508 үлгісі

Дыбыс қысымының деңгейі (L_{РА}): 88 дБА
Дыбыс қуатының деңгейі (L_{WA}): 99 дБА
Дәлсіздік (K): 3 дБА

⚠ ЕСКЕРТУ: Қорғаныс құлаққабын киіңіз.

Діріл

EN60745 сәйкес анықталған дірілдің жалпы мәні (үш осьтік векторлық сома):

M9506 үлгісі

Жұмыс режимі: бетті ажарлау
Дірілдің таралуы (a_{н, АГ}): 6,5 м/с²
Дәлсіздік (K): 1,5 м/с²

M9507 үлгісі

Жұмыс режимі: бетті ажарлау
Дірілдің таралуы (a_{н, АГ}): 7,0 м/с²
Дәлсіздік (K): 1,5 м/с²

M9508 үлгісі

Жұмыс режимі: бетті ажарлау
Дірілдің таралуы (a_{н, АГ}): 7,0 м/с²
Дәлсіздік (K): 1,5 м/с²

ЕСКЕРТПЕ: Дірілдің жарияланған жалпы мән(дер) і стандартты сынау әдісіне сәйкес өлшенген және оны бір құралды екінші құралмен салыстыру үшін пайдалануға болады.

ЕСКЕРТПЕ: Сондай-ақ дірілдің жарияланған жалпы мән(дер)ін әсерді алдын ала бағалау үшін пайдалануға болады.

⚠️ЕСКЕРТУ: Электрлік құралды іс жүзінде пайдалану кезіндегі дірілдің мәні құралдың пайдалану әдісіне, өсіресе қандай дайындама өңделгеніне байланысты жарияланған мән(дер)інен өзгеше болуы мүмкін.

⚠️ЕСКЕРТУ: Іс жүзінде пайдалану кезіндегі әсерді бағалау негізінде операторды қорғау үшін қауіпсіздік шараларын анықтаңыз (құралдың өшірілген уақыты және бос жүріс уақытын қоса алғанда, іске қосылу уақыты сияқты барлық жұмыс циклдерін ескеру керек).

⚠️ЕСКЕРТУ: Электр құралының негізгі жұмыс түрлеріне мәлімделген діріл шығысы мәні пайдаланылады. Дегенмен, егер электр құралы басқа жұмыс түрлері үшін пайдаланылса, діріл шығысы мәні өзгеруі мүмкін.

ҚАУІПСІЗДІК БОЙЫНША ЕСКЕРТУЛЕР

Электрлік құралдың жалпы қауіпсіздік ескертулері

⚠️ЕСКЕРТУ: Барлық қауіпсіздік ескертулері мен нұсқауларын оқып шығыңыз. Төменде берілген барлық ескертулер мен нұсқауларды орындамаған жағдайда, электр тогының соғуы, өрт шығуы және/немесе ауыр жарақат алуға себеп болуы мүмкін.

Алдағы уақытта қолдану үшін барлық ескерту мен нұсқауды сақтап қойыңыз.

Ескертулердегі "электрлік құрал" термині қуат көзінен жұмыс істейтін (сымды) электрлік құралды немесе аккумулятормен жұмыс істейтін (сымсыз) электрлік құралды білдіреді.

Жұмыс аймағындағы қауіпсіздік

1. **Жұмыс аймағы таза әрі жарық болуы керек.** Лас немесе қараңғы аймақтарда жазатайым оқиғалар туындауы мүмкін.
2. **Электрлік құралды айналасында тез тұтанатын сұйықтық, газ немесе шаң сияқты заттардан тұратын жарылыс қаупі бар орталарда пайдаланбаңыз.** Электрлік құралдар шаң немесе газды тұтандыратын электр ұшқындарын шығарады.
3. **Электрлік құралды пайдаланған кезде, балалар және бөгде адамдар алшақ жүруі керек.** Басқа нәрсеге алаңдасаңыз, құралға ие бола алмай қалуыңыз мүмкін.

Электрлік қауіпсіздік

1. **Электрлік құралдың ашасы розеткаға сәйкес келуі керек.** Ашаны ешбір жағдайда өзгертпеңіз. Адаптер ашаларын жерге тұйықталған электрлік құралдармен пайдаланбаңыз. Өзгертілмеген ашалар мен сәйкес келетін розеткалар электр тогының соғу қаупін азайтады.

2. **Түтіктер, радиаторлар, жылу батареялары және тоңазытқыштар сияқты жерге тұйықталған бұйымдарды ұстамаңыз.** Егер деніңіз жерге тұйықталатын болса, ток соғу қаупі жоғары.
3. **Электрлік құралдарды жаңбырдың астына немесе ылғалды жерлерге қоймаңыз.** Электрлік құралға су кіретін болса, ток соғу қаупі артады.
4. **Қуат шнурын дұрыс пайдаланыңыз.** Электрлік құралды тасу, тарту немесе қуат көзінен ажырату үшін қуат шнурын пайдалануға болмайды. Қуат шнурына ыстық зат, май, өткір жиек немесе қозғалмалы бөлшектер тимеуі керек. Зақымдалған немесе оралған қуат шнурлары ток соғу қаупін арттырады.
5. **Электрлік құралды сыртта пайдаланғанда, сыртта қолдануға жарамды ұзартқышты қолданыңыз.** Сыртта қолдануға жарамды шнурды пайдалану ток соғу қаупін азайтады.
6. **Егер электрлік құралды ылғалды жерде пайдалану керек болса, қорғаныстық ажырату құрылғысын (RCD) пайдаланыңыз.** Қорғаныстық ажырату құрылғысын пайдалану ток соғу қаупін азайтады.
7. **Электр қуатын әрдайым 30 МА немесе одан кем номиналды дифференциалды тогы бар қорғаныстық ажырату құрылғысы (RCD) арқылы пайдалану ұсынылады.**

Жеке қауіпсіздік

1. **Электрлік құралды пайдаланған кезде, жасап жатқан жұмысыңызға қырағылық танытып, мұқият болыңыз.** Шаршағанда немесе есірткі, алкоголь немесе дәрі-дәрмектің әсерінде болған кезде электрлік құралды пайдаланбаңыз. Электрлік құралды пайдалану кезінде сәл ғана аңсыздық таныту ауыр жарақатқа әкелуі мүмкін.
2. **Жеке қорғаныс жабдығын пайдаланыңыз.** Міндетті түрде қорғаныс көзілдірігін тағыңыз. Шаңнан қорғайтын маска, сырғанамайтын қорғаныс аяқ киімі, каска немесе құлаққап сияқты қорғаныс жабдықтарын тиісті жағдайларда қолдану жарақаттануды азайтады.
3. **Кездейсоқ іске қосудың алдын алыңыз.** Құралды қуат көзіне және/немесе аккумулятор блогына қоспас бұрын, оны жинап немесе тасымалдамас бұрын, ауыстырып-қосқыш өшірулі күйде екеніне көз жеткізіңіз. Саусақ электрлік құралдың ауыстырып-қосқышында тұрған кезде оны тасымалдау немесе ауыстырып-қосқышы қосылуы электрлік құралды қуат көзіне қосу жазатайым оқиғаға әкел соғуы мүмкін.
4. **Электрлік құралды қоспас бұрын, реттегіш немесе сомынды бұрайтын кілттерді алып тастаңыз.** Электрлік құралдың айналмалы бөлігінде реттегіш немесе сомынды бұрайтын кілт бекітулі қалса, жарақаттауы мүмкін.
5. **Тым артық күш салмаңыз.** Әрдайым тұрақты және тепе-теңдік сақтайтын күйде болыңыз. Бұл күтпеген жағдайда электрлік құралды жақсы басқаруға мүмкіндік береді.

Ажарлағыш машина қауіпсіздігі бойынша ескертулер

6. Жұмысқа сай киініңіз. Бос киім киемеңіз және әшекей тақпаңыз. Шаш, киім және қолғабыңызды қозғалмалы бөлшектерден алшақ ұстаңыз. Бос киім, әшекейлер немесе ұзын шаш қозғалмалы бөлшектерге ілініп қалуы мүмкін.
7. Шаң тұту және жинау құрылғылары қамтамасыз етілген болса, олардың қосулы екендігіне және дұрыс қолданылып жатқанына көз жеткізіңіз. Шаң жинау құрылғысын пайдалану шаңмен байланысты қауіпті азайтуы мүмкін.

Электрлік құралды пайдалану және күтім жасау

1. **Электрлік құралға артық күш түсірмеңіз.** Орындалатын жұмысқа сәйкес келетін электрлік құралды пайдаланыңыз. Дұрыс таңдалған электрлік құрал өзіне жүктелген жұмысты жақсы және қауіпсіз істейді.
2. **Ауыстырып-қосқышы ақаулы электрлік құралды пайдаланбаңыз.** Ауыстырып-қосқышы ақаулы кез келген электр құрал қауіп төндіреді және оны жөндеу керек.
3. **Көз келген реттеулер жасамас бұрын, керек-жарақтарды ауыстырмас бұрын немесе электр құралдарды ұзақ уақытқа сақтамас бұрын, ашаны қуат көзінен ажыратыңыз және/немесе аккумулятор блогы бар болса, оны шығарып алыңыз.** Осындай алдын алу шаралары электрлік құралдың кездейсоқ іске қосылу қаупін азайтады.
4. **Электрлік құралдарды балалардың қолы жетпейтін жерде сақтаңыз, сонымен қатар электрлік құралмен жұмыс істей алмайтын және осы нұсқауларды оқымаған тұлғаларға құралды пайдалануға рұқсат етпеңіз.** Арнайы жаттығудан өтпеген пайдаланушылар үшін электрлік құрал қауіп төндіреді.
5. **Электр құралдарға техникалық қызмет көрсетіңіз.** Қозғалмалы бөлшектердің ауытқуы және оралуы, зақымдалған бөлшектер және электрлік құралдың жұмысына кері әсер ететін басқа жағдайлардың бар-жоғын тексеріңіз. Зақымы болса, электрлік құралды жөндеген соң бірақ пайдаланыңыз. Жазатайым оқиғалардың көбі электрлік құралдарға дұрыс техникалық қызмет көрсетілмеу себебінен болады.
6. **Кесу құралдары өткір және таза болуы керек.** Кескіш жиектері өткір кесу құралдарын дұрыс пайдалансаңыз, олар тұрып қалмайды және басқаруға оңай.
7. **Электрлік құралды, керек-жарақтарды және қондырмаларды, т.б. жұмыс жағдайы мен орындалатын жұмысты ескере отырып, осы нұсқауларға сәйкес пайдаланыңыз.** Электрлік құралды басқа мақсатта пайдаланған жағдайда, қауіпті жағдай туындауы мүмкін.

Қызмет көрсету

1. **Электрлік құралды білікті маманға жөндетіп алыңыз, ол тиісті қосалқы бөлшектерді пайдалануы керек.** Бұл электрлік құралдың қауіпсіздігін қамтамасыз етеді.
2. **Керек-жарақтарды майлау және ауыстыру нұсқауын орындаңыз.**
3. **Тұтқаларды құрғақ, таза ұстаңыз және майлы болмауын қамтамасыз етіңіз.**

Ажарлау жұмыстарына арналған жалпы қауіпсіздік бойынша ескертулер:

1. **Бұл электр құралы ажарлағыш ретінде жұмыс істеуге арналған.** Осы электрлік құралмен бірге берілген қауіпсіздік ескертулерін, нұсқауларды, суреттерді және техникалық сипаттамаларды оқып шығыңыз. Төменде берілген барлық нұсқауды орындамаған жағдайда, электр тогының соғуы, өрт шығуы және/немесе ауыр жарақат алуға себеп болуы мүмкін.
2. **Бұл электр құралымен тегістеу, сым қылшақпен тазалау, жылтырату немесе кесу сияқты жұмыстарды орындамаған жөн.** Электр құралын жобаланбаған жұмыстар үшін пайдалану қауіп төндіріп, жарақат алуға себеп болуы мүмкін.
3. **Құралды өндіруші тарапынан арнайы жасалмаған және ұсынылмаған керек-жарақтарды пайдаланбаңыз.** Керек-жарақ электрлік құралға бекітілсе де, онымен жұмыс істеу қауіпті.
4. **Керек-жарақтың номиналды жылдамдығы кемінде электр құралында белгіленген максималды жылдамдыққа тең болуы керек.** Белгіленген жылдамдықтан жоғары жылдамдықпен жұмыс істейтін керек жарақтар бұзылып, ұшып кетуі мүмкін.
5. **Керек-жарақтың сыртқы диаметрі және қалыңдығы электр құралының сыйымдылық шегінде болуы тиіс.** Өлшемі дұрыс емес керек-жарақтарды дұрыс қорғау немесе басқару мүмкін емес.
6. **Керек-жарақтардың бұрандалы бекітпесі ажарлағыштың шпиндель ойығына сәйкес келуі тиіс.** Фланецтер арқылы орнатылған керек-жарақтар үшін, керек-жарақтардың білік саңылауы фланецтің негізгі диаметріне сәйкес келуі керек. Электр құралының бекіту құралдарына сәйкес келмейтін керек-жарақтар тепе-теңдіктен шығып, шектен тыс діріл тудырады және құралды басқара алмауға әкелуі мүмкін.
7. **Зақымдалған керек-жарақты пайдаланбаңыз.** Әр пайдалану алдында ысқыш дөңгелектер сияқты керек-жарақта кетіктер және сызаттардың бар-жоғын, диск табанында сызаттар, жыртылған немесе қатты тозған жерлердің бар-жоғын тексеріңіз. Электр құралы немесе керек-жарақ жерге құласа, зақымдалғанын тексеріңіз немесе зақымдалмаған керек-жарақты орнатыңыз. Керек-жарақты тексеріп, орнатқаннан кейін, айналмалы керек-жарақ аймағынан өзіңіз және айналадағы адамдар алшақ тұруы қажет, одан кейін электр құралын жүктемесіз максималды жылдамдықта бір минутқа іске қосыңыз. Зақымдалған керек-жарақтар, әдетте, осы сынақ уақыты ішінде сынады.

8. Жеке қорғаныс жабдығын киіңіз. Жұмыс түріне қарай бет қалқанын, қорғаныс көзілдірігін немесе қауіпсіздік көзілдірігін пайдаланыңыз. Қажет болса, ұсақ ысқыш немесе өңдеу бөлшегінің бөліктерінен қорғауға қабілетті шаңнан қорғайтын маска, құлаққаптарды, қолғаптарды және алжапқышты тағыңыз. Қорғаныс көзілдірігі әр түрлі жұмыстардың нәтижесінде пайда болатын ұшатын сынықтардан қорғай алатындай болуы керек. Шаңнан қорғайтын маска немесе респиратор жұмыс барысында шыққан бөлшектерді сүзе алатын болуы керек. Қарқындылығы жоғары шудың ұзақ әсері есту қабілетінің жоғалуына әкелуі мүмкін.
9. Айналадағы адамдардың жұмыс аймағынан қауіпсіз қашықтықта тұруын қадағалаңыз. Жұмыс аймағына кіретін кез келген адам жеке қорғаныс жабдығын киюі қажет. Өңдеу бөлшегінің немесе сыныған керек-жарақтың бөлшектері ұшып кетіп, жұмыс аймағынан тыс жерде жарақат алуға себеп болуы мүмкін.
10. Жұмыс істеп жатқанда, кесуге арналған керек-жарақ жасырын сымға немесе өз сымына тиіп кетуі мүмкін болса, электр құралын тек оқшауланған арнайы қысықшымен ұстаныңыз. Кесу құралы кернеулі сымға тиіп кетсе, электрлік құралдың ашық металл бөлшектерінде кернеу пайда болады, нәтижесінде операторды ток соғуы мүмкін.
11. Сымды айналмалы керек-жарақтардан қашық жерге қойыңыз. Басқа нәрсеге аялданған жағдайда, сым үзіліп кетіп немесе ілініп қалып, қолыңызды айналмалы керек-жарақ ішіне тартып әкетуі мүмкін.
12. Электрлік құралды керек-жарағы толық тоқтағанша жерге қоймаңыз. Айналмалы керек-жарақ бетке ілінісіп, құралға ие бола алмай қалуыңыз мүмкін.
13. Электрлік құралды жаныңызда ұстап тұрғанда іске қоспаңыз. Айналып тұрған керек-жараққа кездейсоқ тиіп кеткенде, киіміңізді іліп, керек-жарақты дененіңізге тартуы мүмкін.
14. Электр құралының ауа желдеткіштерін үнемі тазалап тұрыңыз. Қозғалтқыш желдеткіші корпус ішіне шаң жинайды және ұнтақталған металдың шамадан тыс жиналуы электр қуатымен байланысты оқыс оқиғалардың орын алуына әкелуі мүмкін.
15. Электрлік құралды тұтанатын материалдар жанында пайдаланбаңыз. Ұшқындар бұл материалдарды тұтандыруы мүмкін.
16. Салқындатқыш сұйықтықтарды қажет ететін керек-жарақтарды пайдаланбаңыз. Суды немесе басқа салқындатқыш сұйықтықтарды пайдалансаңыз, ток соғуы мүмкін.

Кері соққы және оған қатысты ескертулер
 Кері соққы - қысылып немесе ілініп қалған айналмалы дөңгелек, тіректік табақша, қылшақ немесе кез келген басқа керек-жарақтың кенеттен пайда болатын реакциясы. Қысылып немесе ілініп қалу айналып тұрған керек-жарақтың жылдам аударылуына әкеледі, ал бұл бақылаусыз тұрған электр құралының керек-жарақ бұрылысына қарсы бағытта айналуын туғызады. Мысалы, ысқыш дөңгелек өңдеу бөлшегіне ілінсе немесе қысылып қалса, қысылатын орынға кіретін дөңгелектің шеті материалдың беткі жағына кіріп, дөңгелектің орнынан шығып, ұшып кетуіне әкелуі мүмкін. Қысу нүктесінде дөңгелек қозғалысының бағытына байланысты дөңгелек операторға қарай немесе керісінше ұшып кетуі мүмкін. Сондай-ақ мұндай жағдайда ысқыш дөңгелектер сынуы мүмкін.

Кері соққы электр құралын дұрыс пайдаланбау және/немесе қате жұмыс процедураларының нәтижесінде пайда болады, ал төмендегі сақтық шараларын пайдаланғанда оның алдын алуға болады.

1. Электр құралын мықтап ұстаңыз және кері соққыларға қарсы тұра алатын қалыпта тұрыңыз. Іске қосқан кезде кері соққы немесе айналу моментінің реакциясын максималды түрде басқару үшін, қосымша тұтқаны (жабдықталған болса) пайдаланыңыз. Тиісті сақтық шаралары қабылданған болса, айналу моментінің реакциялары мен кері соққы ықпалын оператор басқара алады.
2. Айналатын керек-жарақтың жанына қолыңызды ерекше қоймаңыз. Керек-жарақ қолыңызға кері соққы беруі мүмкін.
3. Кері соққы орын алғанда, электр құралы жылжуы мүмкін аймақта тұрмаңыз. Кері соққы құралды іліну нүктесіндегі дөңгелек қозғалысына қарсы бағытта итереді.
4. Бұрыштар, өткір шеттер және т. б. бөліктерді өңдеген кезде аса сақ болыңыз. Керек-жарақтың серпілуіне және ілінуіне жол бермеңіз. Бұрыштар, өткір шеттер немесе ұшатын бөлшектер айналатын керек-жарақты ұстап қалғанда, басқару мүмкіндігі жоғалады немесе кері соғылады.
5. Ара шынжырының ағаш кесетін жүзін және тісті ара жүзін бекітпеңіз. Мұндай жүздер кері соққыны жиі тудырып, құралды басқаруды қиындатады.

Ажарлау жұмыстарына арналған арнайы қауіпсіздік бойынша ескертулер:

1. Тек электр құралына арналған дөңгелек түрлерін және таңдалған дөңгелектерге сай арнайы сақтандырғышты пайдаланыңыз. Дөңгелектерге арналмаған электр құралын тиісті түрде қорғау мүмкін емес және олар қауіпсіз болмайды.
2. Ортасы ойық дөңгелектердің ажарлау беті сақтандырғыш тұмсығы жазықтығының төменгі бөлігінде бекітілуі тиіс. Сақтандырғыш тұмсығының жазықтығы арқылы ететін дұрыс орнатылмаған дөңгелек тиісті түрде қорғалмайды.
3. Сақтандырғыш операторға дөңгелектің аз бөлігі ғана бағытталатындай етіп электр құралына берік бекітіліп, максималды түрде қауіпсіз орнатылуы тиіс. Сақтандырғыш операторды дөңгелек сынықтарынан, дөңгелектің кездейсоқ тиіп кетуінен және киімді тұтандыруы мүмкін ұшқындардан қорғауға көмектеседі.
4. Дөңгелектер тек ұсынылған мақсаттарда пайдаланылуы тиіс. Мысалы: кескіш дөңгелегінің бүйірімен ажарламаңыз. Ысып кескіш дөңгелектер перифериялық ажарлауға арналған, бұл дөңгелектерге қолданылған бүйірлік күш олардың сынуына әкелуі мүмкін.
5. Таңдалған дөңгелек үшін ерқашан өлшемі мен пішіні дұрыс, зақымдалмаған дөңгелек фланецтерін пайдаланыңыз. Тиісті дөңгелек фланецтері дөңгелекке сыну мүмкіндігін азайта отырып, қолдау көрсетеді. Кескіш дөңгелектерді фланецтерді ажарлағыш дөңгелектің фланецтерінен ерекшеленуі мүмкін.
6. Үлкенірек электр құралдарының ескірген дөңгелектерін пайдаланбаңыз. Үлкен электр құралына арналған дөңгелек кіші құралдың жоғары жылдамдығына сай келмей, сынуы мүмкін.

Қауіпсіздік бойынша қосымша ескертулер:

1. Ортасы ойық ажарлау дөңгелектерін пайдаланған кезде, тек шыны талшықпен армирленген дөңгелектерді пайдаланыңыз.
2. Бұл ажарлағышпен тас қақпақшалы дөңгелектерді **ЕШҚАШАН ПАЙДАЛАНБАҢЫЗ**. Бұл ажарлағыш машина осы дөңгелек түрлеріне арналмаған және мұндай өнімді пайдалану ауыр жарақатқа әкелуі мүмкін.
3. Шпиндельді, фланецті (әсіресе орнатылатын бетті) немесе тоқтатқыш сомынды зақымдап алмас үшін абайлаңыз. Бұл бөлшектердің зақымдалуы дөңгелектің бұзылуына әкелуі мүмкін.
4. Ауыстырып-қосқышты іске қоспас бұрын, дөңгелектің өңдеу бөлшегіне тиіп тұрмағандығына көз жеткізіңіз.
5. Құралды нақты өңдеу бөлшегіне қолданбас бұрын, біраз уақыт іске қосылуына мүмкіндік беріңіз. Дөңгелектің бос орнатылған немесе дұрыс теңестірілмегенін білдіретін дірілін немесе шайқалуын қадағалаңыз.
6. Ажарлау үшін арнайы дөңгелек бетін пайдаланыңыз.
7. Құралды қосулы күйде қалдырмаңыз. Құралды тек қолмен ұстап пайдаланыңыз.
8. Өңдеу бөлшегін пайдаланғаннан кейін бірден ұстауға болмайды. Ол өте ыстық болып, теріні күйдіруі мүмкін.
9. Дөңгелектерді дұрыс орнату және пайдалану үшін өндіруші нұсқауларын орындаңыз. Дөңгелектерді абайлап ұстаңыз және сақтаңыз.
10. Ірі ысқыш дөңгелектерді бейімдеу үшін бөлек өтпелі төлкелер не адаптерлерді пайдаланбаңыз.
11. Осы құралға арналған фланецтерді ғана пайдаланыңыз.
12. Ойылған саңылаулы дөңгелекпен жабдықталған құралдар бойынша, шпиндель ұзындығы сәйкес келуі үшін дөңгелектегі ойықтың ұзындығы жеткілікті екеніне көз жеткізіңіз.
13. Өңдеу бөлшегінің дұрыс бекітілгеніне көз жеткізіңіз.
14. Құралды өшіргеннен кейін, дөңгелектің әрі қарай айналатынына назар аударыңыз.
15. Егер жұмыс орны өте ыстық және ылғалды болса немесе ток өткізгіш шаңмен тым қатты ластанған болса, оператор қауіпсіздігін қамтамасыз ету үшін қысқа тұйықталуды ажыратқышты (30 мА) пайдаланыңыз.
16. Құралды құрамында асбест бар материалдарға қолданбаңыз.
17. Жұмыс кезінде матадан жасалған қолғапты пайдаланбаңыз. Қолғап матасының талшықтары құралға түсіп, оның бұзылуына себеп болады.

ОСЫ НҰСҚАУЛАРДЫ САҚТАҢЫЗ.

▲ЕСКЕРТУ: Бұл өнімді әбден пайдаланып үйренген (қайта-қайта пайдаланғанның нәтижесінде) болсаңыз да және сізге қолайсыздық тудырса да, осы өнімді қолдану кезінде қауіпсіздік техникасы ережелерін қатаң түрде сақтау қажет. Осы пайдалану жөніндегі нұсқаулықта келтірілген қауіпсіздік ережелерін **ДҰРЫС ПАЙДАЛАНБАУ** немесе орындамау ауыр жарақаттарға әкеп соқтыруы мүмкін.

ФУНКЦИОНАЛДЫҚ СИПАТТАМАСЫ

▲САҚ БОЛЫҢЫЗ: Құралдың жұмысын реттемес және тексермес бұрын, әрдайым құралдың өшірулі екендігіне және ажыратылғандығына көз жеткізіңіз.

Білік құлпы

Керек-жарақтарды орнату немесе алу кезінде шпиндель айналмас үшін білік құлпын басыңыз.

► **Сурет1:** 1. Білік құлпы

▲НАЗАР САЛЫҢЫЗ: Шпиндель қозғалып тұрғанда, білік құлпын іске қосуға болмайды. Құралға зақым келуі мүмкін.

Ауыстырып-қосқыштың әрекеті

▲САҚ БОЛЫҢЫЗ: Құралды желіге қоспас бұрын, ысырма ауыстырып-қосқышы дұрыс жұмыс істеп тұрғанына және ысырма ауыстырып-қосқышының артқы жағы басылған кезде "ӨШІРУЛІ" күйіне оралатынына көз жеткізіңіз.

▲САҚ БОЛЫҢЫЗ: Ұзақ пайдалану кезінде оператордың ыңғайлылығы үшін ауыстырып-қосқыш "ҚОСУЛЫ" күйінде құлыптала алады. Құралды "ҚОСУЛЫ" күйінде құлыптау кезінде сақ болыңыз және құралды мықтап ұстаңыз.

Құралды іске қосу үшін ысырма ауыстырып-қосқышының артқы жағын итеріп, оны "I" (ҚОСУЛЫ) күйіне сырғытыңыз. Үздіксіз жұмыс жасау үшін ысырма ауыстырып-қосқышының алдыңғы жағын құлыптау үшін басыңыз.

Құралды тоқтату үшін ысырма ауыстырып-қосқышының артқы жағын басыңыз да, оны "O" (ӨШІРУЛІ) күйіне қарай сырғытыңыз.

► **Сурет2:** 1. Ысырма ауыстырып-қосқышы

ҚҰРАСТЫРУ

▲САҚ БОЛЫҢЫЗ: Құралмен жұмыс істемес бұрын, әрдайым құралдың өшірулі екендігіне және ажыратылғандығына көз жеткізіңіз.

Бүйірлік тұтқаны (сап) орнату

Кейбір елдерде қолданылатын M9506 үлгісіне арналған қосымша керек-жарақ

▲САҚ БОЛЫҢЫЗ: Жұмысқа кіріспес бұрын, бүйірлік тұтқаның мықтап орнатылғанына көз жеткізіңіз.

Суретте көрсетілгендей, бүйірлік тұтқаны құралға нықтап бекітіңіз.

► Сурет3

Дөңгелек сақтандырғышын орнату немесе алу (ортасы ойық дөңгелектер үшін)

▲ЕСКЕРТУ: Ортасы ойық дөңгелекті пайдаланған кезде, дөңгелек сақтандырғышының жабық жағы әрқашан операторға бағытталып тұратындай оны құралға орнату керек.

Дөңгелек сақтандырғышы жолағындағы дөңес жерлерді мойынтірек қорабындағы ойықтармен туралап, дөңгелек сақтандырғышын орнатыңыз. Одан кейін дөңгелек сақтандырғышты орындалатын жұмысқа сәйкес операторды қорғауға болатындай тиісті бұрышқа бұрыңыз. Бұrandаны берік бекіткеніңізге көз жеткізіңіз.

Дөңгелек сақтандырғышын алып тастау үшін орнату процедурасын керісінше орындаңыз.

► Сурет4: 1. Дөңгелек сақтандырғышы
2. Мойынтірек қорабы 3. Бұrandа

Ортасы ойық дөңгелекті орнату немесе алу

Қосымша керек-жарақ

▲ЕСКЕРТУ: Ортасы ойық дөңгелекті пайдаланған кезде, дөңгелек сақтандырғышының жабық жағы әрқашан операторға бағытталып тұратындай оны құралға орнату керек.

▲САҚ БОЛЫҢЫЗ: Ішкі фланецтің орнатылатын бөлігі ортасы ойық дөңгелектің ішкі диаметріне сай келетініне көз жеткізіңіз. Ішкі фланецті дұрыс емес жаққа орнату қауіпті дірілге әкелуі мүмкін.

Ішкі фланецті шпиндельге орнатыңыз. Ішкі фланецтің тік бөлігін шпиндельдің төменгі жағындағы тік бөлігіне келістіріңіз. Ортасы ойық дөңгелекті ішкі фланецке орнатыңыз да, тоқтатқыш сомынды шпиндельге бұраныңыз.

Қалыңдығы 4 мм-ден (5/32") аз ортасы ойық дөңгелекті орнатқанда, тоқтатқыш сомынды дөңес жағы сыртқа қарайтындай орналастырыңыз. Болмаса, дөңес жағы дөңгелектің ішкі диаметріне сәйкес келетіндей орналастырыңыз.

► Сурет5: 1. Тоқтатқыш сомын 2. Ортасы ойық дөңгелек 3. Ішкі фланец 4. Орнатылатын бөлік

Тоқтатқыш сомынды бекіту үшін шпиндель айнала алмайтындай білік құлпын мықтап басыңыз, содан кейін тоқтатқыш сомын кілтін қолданып, сағат тілімен бұрап бекітіңіз.

► Сурет6: 1. Тоқтатқыш сомын кілті 2. Білік құлпы
Дөңгелекті алып тастау үшін орнату процедурасын керісінше орындаңыз.

ПАЙДАЛАНУ

▲ЕСКЕРТУ: Құралға күш салудың қажеті жоқ. Құралдың салмағы жеткілікті қысым түсіреді. Күш түсіріп, шамадан тыс қысым қолдану қауіп төндіретін дөңгелек сынуына әкелуі мүмкін.

▲ЕСКЕРТУ: Егер ажарлау кезінде құрал құлап кетсе, дөңгелекті МІНДЕТТІ ТҮРДЕ ауыстырыңыз.

▲ЕСКЕРТУ: Ажарлағыш дискіні немесе дөңгелекті өңделетін аймаққа ЕШҚАШАН соқпаңыз не қақпаңыз.

▲ЕСКЕРТУ: Дөңгелектің серпілуіне не ілінуіне жол бермеңіз, әсіресе бұрыштармен, өткір жиектермен және т.б. беттермен жұмыс істеген кезде мұқият болыңыз. Бұл құралды игере алмай қалуға және кері соққыға әкелуі мүмкін.

▲ЕСКЕРТУ: Құралды ағаш кесетін жүздермен және басқа ара жүздерімен ЕШҚАШАН пайдаланбаңыз. Ажарлағыш машинада осындай жүздерді қолданған кезде жиі соққы береді, құралға ие бола алмай қалсаңыз, жарақат алуыңыз мүмкін.

▲САҚ БОЛЫҢЫЗ: Өңдеу бөлшегіне жанасқан кезде құралды іске қосуға болмайды, себебі операторды жарақаттауы мүмкін.

▲САҚ БОЛЫҢЫЗ: Жұмыс істеу кезінде әрдайым қорғаныш көзілдірігін немесе қорғаныш маскасын тағып жүріңіз.

▲САҚ БОЛЫҢЫЗ: Жұмысты аяқтағаннан кейін, үнемі құралды өшіріп, оны төменге қоймас бұрын дөңгелегінің толықтай тоқтағанын күтіңіз.

▲САҚ БОЛЫҢЫЗ: Құралды ӘРҚАШАН корпусынан бір қолыңызбен мықтап ұстаңыз да, екінші қолыңызбен бүйірлік тұтқадан (сап) ұстаңыз.

Ажарлау жұмыстары

Құралды іске қосыңыз да, дөңгелекті немесе дискіні өңдеу бөлшегіне қолданыңыз.

Негізінде дөңгелектің немесе дискінің шетін өңдеу бөлшегінің бетіне шамамен 15° бұрышта ұстаңыз. Жаңа дөңгелекті қолданысқа енгізу кезінде, ажарлағышты алға қарай бағыттамаңыз, әйтпесе ол өңдеу бөлшегін ойып өтуі мүмкін. Дөңгелектің шеті қолданыс әсерінен дөңгелектенгеннен кейін, дөңгелек алдыңғы және кері бағыттарда жұмыс істей алады.

Бүйірлік тұтқасыз

тек M9506 үлгісі үшін

Құралды ӨРҚАШАН корпусынан бір қолыңызбен ғана мықтап ұстаңыз. Металл бөлшегіне қол тигізбеңіз.

► Сурет7

Бүйірлік тұтқамен

кейбір елдерде қолданылатын M9506 үлгісіне арналған қосымша керек-жарақ

Құралды ӨРҚАШАН корпусынан бір қолыңызбен мықтап ұстаңыз да, екінші қолыңызбен бүйірлік тұтқадан ұстаңыз.

► Сурет8



ТЕХНИКАЛЫҚ ҚЫЗМЕТ КӨРСЕТУ

▲ САҚ БОЛЫҢЫЗ: Тексеру немесе техникалық қызмет көрсету жұмыстарын жүргізбес бұрын, әрдайым құралдың өшірулі екендігіне және токтан ажыратылғанына көз жеткізіңіз.

HAZAP САЛЫҢЫЗ: Жанармайды, бензинді, сұйылтқышты, спиртті немесе соған ұқсас заттарды ешқашан пайдаланбаңыз. Нәтижесінде түссіздену, бүліну немесе жарықтар пайда болуына әкелуі мүмкін.

Өнімнің ҚАУІПСІЗДІГІ мен СЕНІМДІЛІГІН қамтамасыз ету үшін жөндеу жұмыстары, графитті қылшақты тексеру және алмастыру, кез келген басқа техникалық қызмет көрсету немесе реттеу жұмыстары Makita компаниясының өкілетті немесе Зауыттық қызмет көрсету орталықтары тарапынан (Makita қосалқы бөлшектерін қолдана отырып) орындалуы керек.

© KOMFORT



Makita Corporation
3-11-8, Sumiyoshi-cho,
Anjo, Aichi 446-8502 Japan
www.makita.com

885527-782 EN, RU, KK 20181109
