



R298N

Description

The R298N mixing valve allows for the interception and mixing of heating fluid in radiant heating and cooling systems for floors or ceilings and in medium-size radiator heating systems that require precise control of water delivery temperature. The R298N valve is equipped with a handwheel for manual operation, or alternatively, it can be coupled to a K281/K282 actuator for automatic control.

Versions and product codes

Product code	Connections	Actuator connection
R298Y002	3/4" (ISO 228)	M28 x 1,5 mm (Volantino blu)
R298Y024	3/4" (ISO 228)	M30 x 1,5 mm (Volantino rosso)

Completion codes

- Actuators K281 or K282

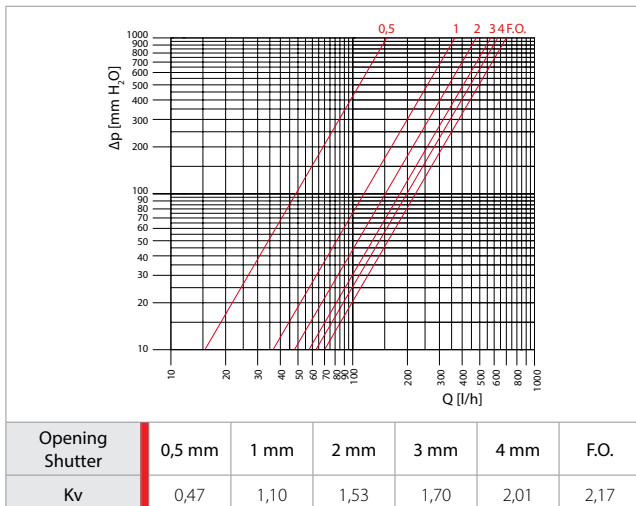
Accessories

- P19Y001: ring nut M30x1,5 mm for adapting valve R298 M28x1,5 mm threading.
- P19Y002: ring nut M28x1,5 mm for adapting valve R298 M30x1,5 mm threading.

Technical data

- Heating fluid: water for air-conditioning systems
- Max. working temperature: 90 °C
- Max. working pressure: 10 bar

Losses of pressure



Operation

R298N + handwheel for manual operation

The three-way R298N mixing valve is equipped with a handwheel to allow for manual operations, which are carried out via a simple clockwise rotation for the valve opening and anticlockwise for closure.

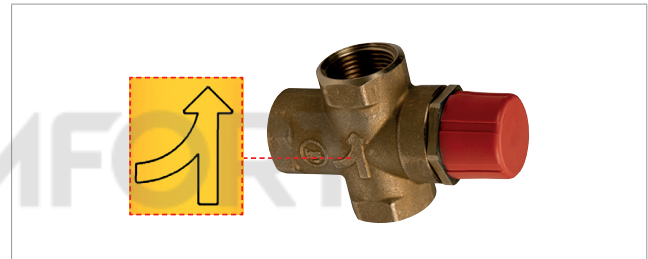
Total opening of the bonnet, and therefore of the primary side supply, is obtained by screwing down the handwheel, while unscrewing it fully frees the thread for the drive motor connection.

R298N + K281/K282 actuator for automatic operation

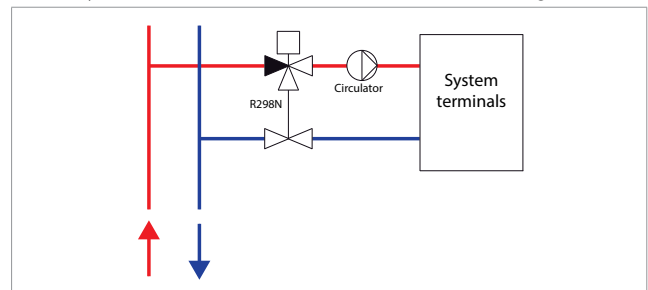
The handwheel can be replaced with a K281/K282 actuator for automatic mixing adjustment, in combination with electronic thermoregulation. The K281/K282 actuator is mounted manually, by screwing the brass ring nut in a clockwise direction until it stops. This does not require the use of any tools.

Installation

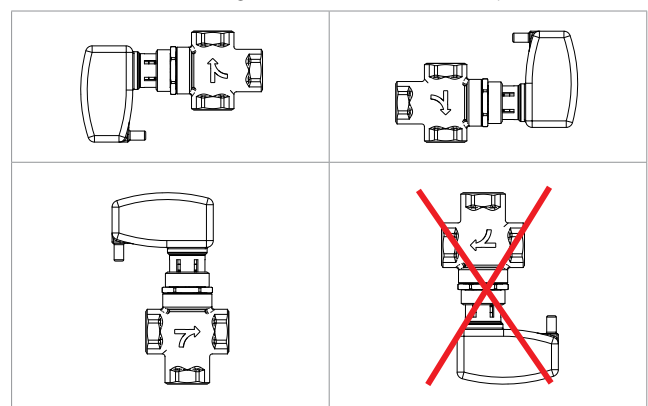
- The R298N valve must be installed according to the direction of flow as indicated by the arrow present on the valve body.



- The R298N valve must be installed on the delivery side. The circulator on the secondary circuit must be installed downstream from the mixing valve.

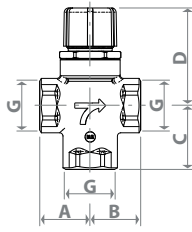


- The R298N valve can be installed in a vertical position with the actuator to the right or left, or in a horizontal position with the actuator above. Horizontal downward facing installation of the valve is not permitted.

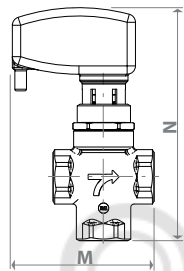




Dimensions



Product code	G	A [mm]	B [mm]	C [mm]	D [mm]
R298Y002	3/4" F	30	30	38	57
R298Y024					



Product code	M [mm]	N [mm]
R298Y002/R298Y024 + K281X002/K282X002	90	140
R298Y002/R298Y024 + K281X012/K281X022	92	150

Product specifications

R298N

Three-way mixing valve with bonnet. Threaded connections 3/4" F. In brass. Gaskets in EPDM. Max. working temperature 90 °C. Max. working pressure 10 bar. Can be motorized by installing the K281 or K282 series actuator.

Additional information

For additional information please check the website: www.giacomini.com or contact the technical service: ☎ +39 0322 923372 📠 +39 0322 923255 ✉ consulenza.prodotti@giacomini.com
 This pamphlet is merely for information purposes. Giacomini S.p.A. retains the right to make modifications for technical or commercial reasons, without prior notice, to the items described in this pamphlet. The information described in this technical pamphlet does not exempt the user from following carefully the existing regulations and norms on good workmanship.
 Giacomini S.p.A. Via per Alzo, 39 - 28017 San Maurizio d'Opaglio (NO) Italy