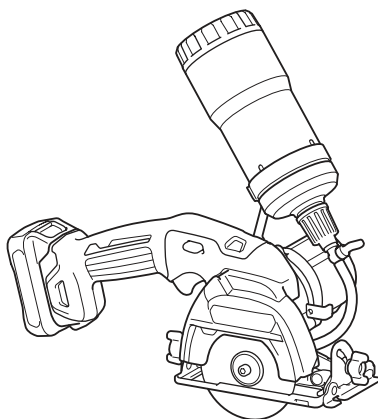




EN	Cordless Cutter	INSTRUCTION MANUAL	4
SV	Batteridrivnen glas- och kakelskärare	BRUKSANVISNING	10
NO	Batteridrevet kutter	BRUKSANVISNING	16
FI	Akkukäyttöinen leikkuri	KÄYTTÖOHJE	22
LV	Bezvada frēze	LIETOŠANAS INSTRUKCIJA	28
LT	Belaidis pjaustytuvas	NAUDOJIMO INSTRUKCIJA	34
ET	Juhtmeta lõikur	KASUTUSJUHEND	40
RU	Аккумуляторная алмазная пила	РУКОВОДСТВО ПО ЭКСПЛУАТАЦИИ	46

CC301D



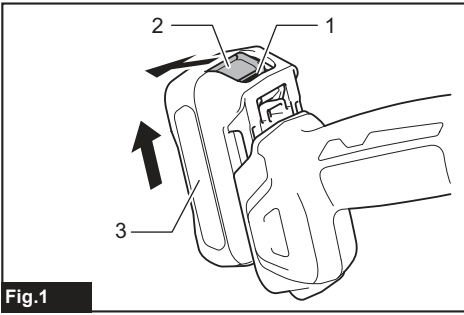


Fig.1

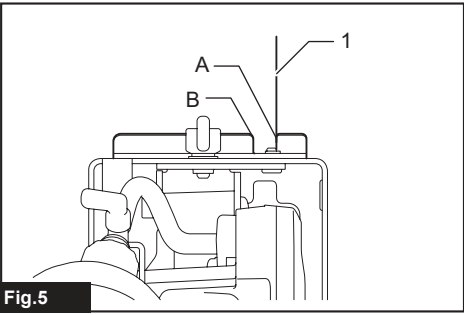


Fig.5

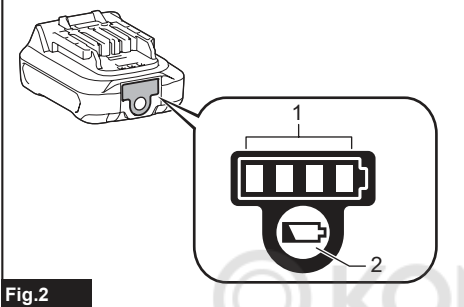


Fig.2

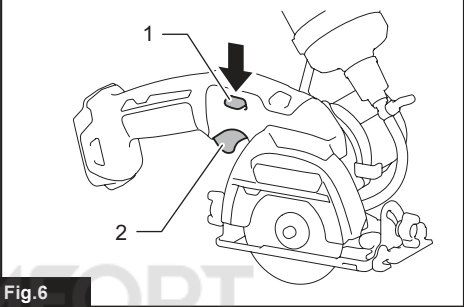


Fig.6

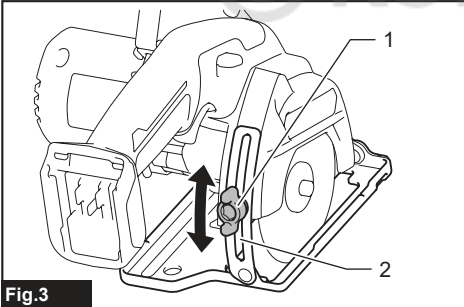


Fig.3

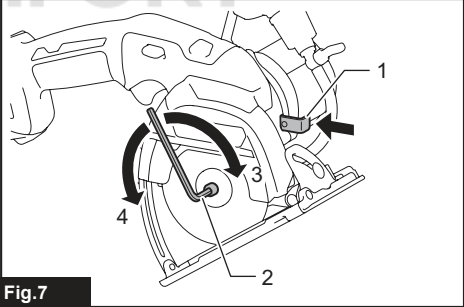


Fig.7

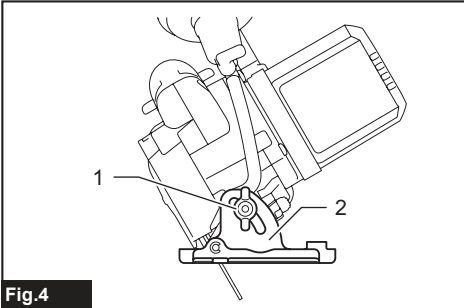


Fig.4

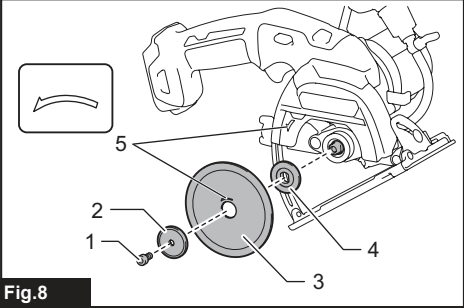


Fig.8

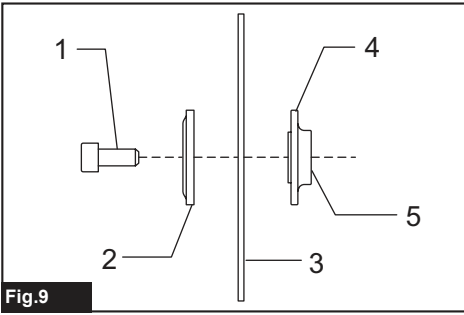


Fig.9

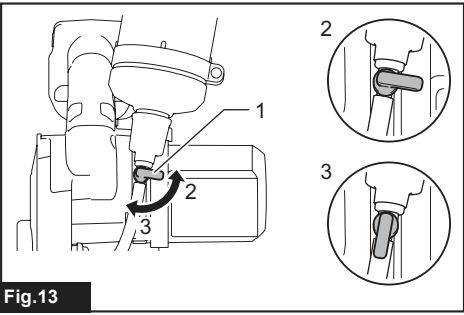


Fig.13

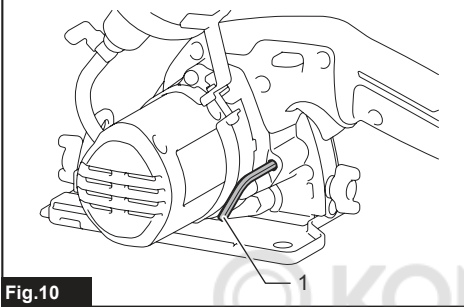


Fig.10

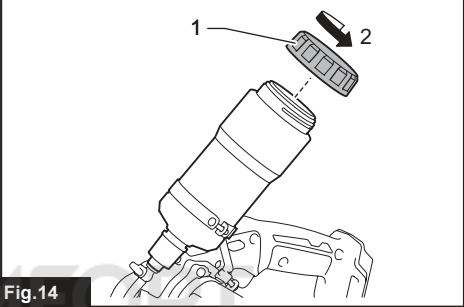


Fig.14

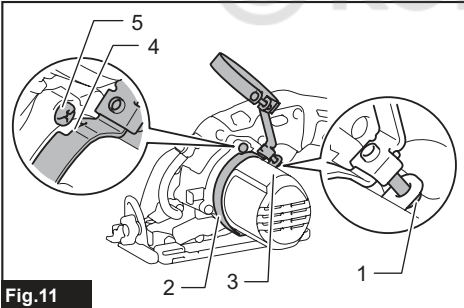


Fig.11

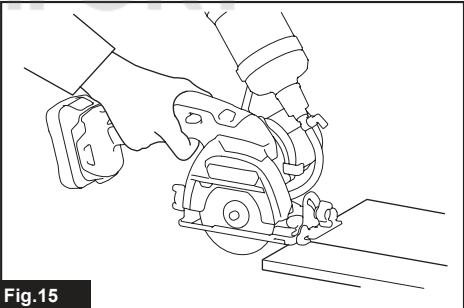


Fig.15

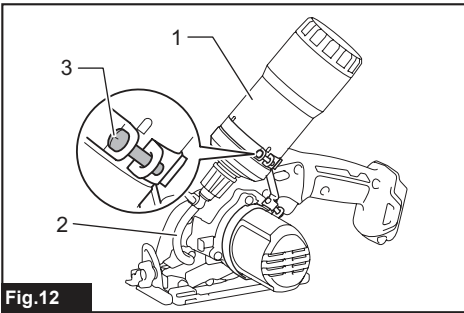


Fig.12

SPECIFICATIONS

Model:		CC301D	
Diamond wheel diameter		85 mm	
Max. wheel thickness		0.8 mm	
Max. Cutting depth	at 0° bevel	25.5 mm	
	at 45° bevel	16.5 mm	
Rated speed		1,500 min ⁻¹	
Rated voltage		D.C. 10.8 V	
Battery cartridge	BL1015, BL1020B	BL1040B	
Overall length	313 mm	331 mm	
Net weight	1.8 kg	1.9 kg	

- Due to our continuing program of research and development, the specifications herein are subject to change without notice.
- Specifications and battery cartridge may differ from country to country.
- Weight, with battery cartridge, according to EPTA-Procedure 01/2003

Intended use

The tool is intended for cutting in glass and masonry materials with a diamond wheel and water.

Noise

The typical A-weighted noise level determined according to EN60745:

Sound pressure level (L_{pA}) : 84 dB(A)

Sound power level (L_{WA}) : 95 dB (A)

Uncertainty (K) : 3 dB(A)

⚠ WARNING: Wear ear protection.

Vibration

The vibration total value (tri-axial vector sum) determined according to EN60745:

Work mode: concrete cutting

Vibration emission (a_n) : 2.5 m/s² or less

Uncertainty (K) : 1.5 m/s²

NOTE: The declared vibration emission value has been measured in accordance with the standard test method and may be used for comparing one tool with another.

NOTE: The declared vibration emission value may also be used in a preliminary assessment of exposure.

⚠ WARNING: The vibration emission during actual use of the power tool can differ from the declared emission value depending on the ways in which the tool is used.

⚠ WARNING: Be sure to identify safety measures to protect the operator that are based on an estimation of exposure in the actual conditions of use (taking account of all parts of the operating cycle such as the times when the tool is switched off and when it is running idle in addition to the trigger time).

EC Declaration of Conformity

For European countries only

The EU declaration of conformity is included as Annex A to this instruction manual.

SAFETY WARNINGS

General power tool safety warnings

⚠ WARNING: Read all safety warnings and all instructions. Failure to follow the warnings and instructions may result in electric shock, fire and/or serious injury.

Save all warnings and instructions for future reference.

The term "power tool" in the warnings refers to your mains-operated (corded) power tool or battery-operated (cordless) power tool.

Cordless cutter safety warnings

- The guard provided with the tool must be securely attached to the power tool and positioned for maximum safety, so the least amount of wheel is exposed towards the operator. Position yourself and bystanders away from the plane of the rotating wheel.** The guard helps to protect operator from broken wheel fragments and accidental contact with wheel.
- Use only diamond cut-off wheels for your power tool.** Just because an accessory can be attached to your power tool, it does not assure safe operation.
- The rated speed of the accessory must be at least equal to the maximum speed marked on the power tool.** Accessories running faster than their rated speed can break and fly apart.
- Wheels must be used only for recommended applications. For example: do not grind with the side of cut-off wheel.** Abrasive cut-off wheels are intended for peripheral grinding, side forces applied to these wheels may cause them to shatter.
- Always use undamaged wheel flanges that are of correct diameter for your selected wheel.** Proper wheel flanges support the wheel thus reducing the possibility of wheel breakage.
- The outside diameter and the thickness of your accessory must be within the capacity rating of your power tool.** Incorrectly sized accessories cannot be adequately guarded or controlled.
- The arbour size of wheels and flanges must properly fit the spindle of the power tool.** Wheels and flanges with arbour holes that do not match the mounting hardware of the power tool will run out of balance, vibrate excessively and may cause loss of control.
- Do not use damaged wheels. Before each use, inspect the wheels for chips and cracks. If power tool or wheel is dropped, inspect for damage or install an undamaged wheel. After inspecting and installing the wheel, position yourself and bystanders away from the plane of the rotating wheel and run the power tool at maximum no load speed for one minute.** Damaged wheels will normally break apart during this test time.
- Wear personal protective equipment. Depending on application, use face shield, safety goggles or safety glasses. As appropriate, wear dust mask, hearing protectors, gloves and shop apron capable of stopping small abrasive or workpiece fragments.** The eye protection must be capable of stopping flying debris generated by various operations. The dust mask or respirator must be capable of filtering particles generated by your operation. Prolonged exposure to high intensity noise may cause hearing loss.
- Keep bystanders a safe distance away from work area. Anyone entering the work area must wear personal protective equipment.** Fragments of workpiece or of a broken wheel may fly away and cause injury beyond immediate area of operation.
- Hold the power tool by insulated gripping surfaces only, when performing an operation where the cutting accessory may contact hidden wiring.** Cutting accessory contacting a "live" wire may make exposed metal parts of the power tool "live" and could give the operator an electric shock.
- Position the cord clear of the spinning accessory.** If you lose control, the cord may be cut or snagged and your hand or arm may be pulled into the spinning wheel.
- Never lay the power tool down until the accessory has come to a complete stop.** The spinning wheel may grab the surface and pull the power tool out of your control.
- Do not run the power tool while carrying it at your side.** Accidental contact with the spinning accessory could snag your clothing, pulling the accessory into your body.
- Regularly clean the power tool's air vents.** The motor's fan will draw the dust inside the housing and excessive accumulation of powdered metal may cause electrical hazards.
- Do not operate the power tool near flammable materials.** Sparks could ignite these materials.

Kickback and related warnings

Kickback is a sudden reaction to a pinched or snagged rotating wheel. Pinching or snagging causes rapid stalling of the rotating wheel which in turn causes the uncontrolled power tool to be forced in the direction opposite of the wheel's rotation at the point of the binding. For example, if an abrasive wheel is snagged or pinched by the workpiece, the edge of the wheel that is entering into the pinch point can dig into the surface of the material causing the wheel to climb out or kick out. The wheel may either jump toward or away from the operator, depending on direction of the wheel's movement at the point of pinching. Abrasive wheels may also break under these conditions.

Kickback is the result of power tool misuse and/or incorrect operating procedures or conditions and can be avoided by taking proper precautions as given below.

- Maintain a firm grip on the power tool and position your body and arm to allow you to resist kickback forces. Always use auxiliary handle, if provided, for maximum control over kickback or torque reaction during start-up.** The operator can control torque reactions or kickback forces, if proper precautions are taken.
- Never place your hand near the rotating accessory.** Accessory may kickback over your hand.
- Do not position your body in line with the rotating wheel.** Kickback will propel the tool in direction opposite to the wheel's movement at the point of snagging.
- Use special care when working corners, sharp edges etc. Avoid bouncing and snagging the accessory.** Corners, sharp edges or bouncing have a tendency to snag the rotating accessory and cause loss of control or kickback.
- Do not attach a saw chain, woodcarving blade, segmented diamond wheel with a peripheral gap greater than 10 mm or toothed saw blade.** Such blades create frequent kickback and loss of control.

6. Do not “jam” the wheel or apply excessive pressure. Do not attempt to make an excessive depth of cut. Overstressing the wheel increases the loading and susceptibility to twisting or binding of the wheel in the cut and the possibility of kickback or wheel breakage.
7. When wheel is binding or when interrupting a cut for any reason, switch off the power tool and hold the power tool motionless until the wheel comes to a complete stop. Never attempt to remove the wheel from the cut while the wheel is in motion otherwise kickback may occur. Investigate and take corrective action to eliminate the cause of wheel binding.
8. Do not restart the cutting operation in the workpiece. Let the wheel reach full speed and carefully re-enter the cut. The wheel may bind, walk up or kickback if the power tool is restarted in the workpiece.
9. Support panels or any oversized workpiece to minimize the risk of wheel pinching and kickback. Large workpieces tend to sag under their own weight. Supports must be placed under the workpiece near the line of cut and near the edge of the workpiece on both sides of the wheel.
10. Use extra caution when making a “pocket cut” into existing walls or other blind areas. The protruding wheel may cut gas or water pipes, electrical wiring or objects that can cause kickback.
4. If electrolyte gets into your eyes, rinse them out with clear water and seek medical attention right away. It may result in loss of your eyesight.
5. Do not short the battery cartridge:
 - (1) Do not touch the terminals with any conductive material.
 - (2) Avoid storing battery cartridge in a container with other metal objects such as nails, coins, etc.
 - (3) Do not expose battery cartridge to water or rain.

A battery short can cause a large current flow, overheating, possible burns and even a breakdown.

Additional Safety Warnings:

1. Before using a segmented diamond wheel, make sure that the diamond wheel has the peripheral gap between segments of 10 mm or less, only with a negative rake angle.
2. Never attempt to cut with the tool held upside down in a vise. This can lead to serious accidents, because it is extremely dangerous.
3. Some material contains chemicals which may be toxic. Take caution to prevent dust inhalation and skin contact. Follow material supplier safety data.
4. Store wheels as per manufacturer recommendations. Improper storage may damage the wheels.

SAVE THESE INSTRUCTIONS.

⚠WARNING: DO NOT let comfort or familiarity with product (gained from repeated use) replace strict adherence to safety rules for the subject product. MISUSE or failure to follow the safety rules stated in this instruction manual may cause serious personal injury.

Important safety instructions for battery cartridge

1. Before using battery cartridge, read all instructions and cautionary markings on (1) battery charger, (2) battery, and (3) product using battery.
2. Do not disassemble battery cartridge.
3. If operating time has become excessively shorter, stop operating immediately. It may result in a risk of overheating, possible burns and even an explosion.

6. Do not store the tool and battery cartridge in locations where the temperature may reach or exceed 50 °C (122 °F).
7. Do not incinerate the battery cartridge even if it is severely damaged or is completely worn out. The battery cartridge can explode in a fire.
8. Be careful not to drop or strike battery.
9. Do not use a damaged battery.
10. The contained lithium-ion batteries are subject to the Dangerous Goods Legislation requirements.

For commercial transports e.g. by third parties, forwarding agents, special requirement on packaging and labeling must be observed.

For preparation of the item being shipped, consulting an expert for hazardous material is required. Please also observe possibly more detailed national regulations.

Tape or mask off open contacts and pack up the battery in such a manner that it cannot move around in the packaging.

11. Follow your local regulations relating to disposal of battery.

SAVE THESE INSTRUCTIONS.

⚠CAUTION: Only use genuine Makita batteries. Use of non-genuine Makita batteries, or batteries that have been altered, may result in the battery bursting causing fires, personal injury and damage. It will also void the Makita warranty for the Makita tool and charger.

Tips for maintaining maximum battery life

1. Charge the battery cartridge before completely discharged. Always stop tool operation and charge the battery cartridge when you notice less tool power.
2. Never recharge a fully charged battery cartridge. Overcharging shortens the battery service life.
3. Charge the battery cartridge with room temperature at 10 °C - 40 °C (50 °F - 104 °F). Let a hot battery cartridge cool down before charging it.

FUNCTIONAL DESCRIPTION

CAUTION: Always be sure that the tool is switched off and the battery cartridge is removed before adjusting or checking function on the tool.

Installing or removing battery cartridge

CAUTION: Always switch off the tool before installing or removing of the battery cartridge.

CAUTION: Hold the tool and the battery cartridge firmly when installing or removing battery cartridge. Failure to hold the tool and the battery cartridge firmly may cause them to slip off your hands and result in damage to the tool and battery cartridge and a personal injury.

► Fig.1: 1. Red indicator 2. Button 3. Battery cartridge

To remove the battery cartridge, slide it from the tool while sliding the button on the front of the cartridge.

To install the battery cartridge, align the tongue on the battery cartridge with the groove in the housing and slip it into place. Insert it all the way until it locks in place with a little click. If you can see the red indicator on the upper side of the button, it is not locked completely.

CAUTION: Always install the battery cartridge fully until the red indicator cannot be seen. If not, it may accidentally fall out of the tool, causing injury to you or someone around you.

CAUTION: Do not install the battery cartridge forcibly. If the cartridge does not slide in easily, it is not being inserted correctly.

Battery protection system

The tool is equipped with a battery protection system. This system automatically cuts off power to the motor to extend battery life.

The tool will automatically stop during operation if the tool and/or battery are placed under one of the following conditions:

Overloaded:

The tool is operated in a manner that causes it to draw an abnormally high current. In this situation, turn the tool off and stop the application that caused the tool to become overloaded. Then turn the tool on to restart.

If the tool does not start, the battery is overheated. In this situation, let the battery cool before turning the tool on again.

Low battery voltage:

The remaining battery capacity is too low and the tool will not operate. If you turn the tool on, the motor runs again but stops soon. In this situation, remove and recharge the battery.

Indicating the remaining battery capacity

Only for battery cartridges with "B" at the end of the model number

► Fig.2: 1. Indicator lamps 2. Check button

Press the check button on the battery cartridge to indicate the remaining battery capacity. The indicator lamps light up for few seconds.

Indicator lamps		Remaining capacity
Lighted	Off	
■ ■ ■ ■	□	75% to 100%
■ ■ ■ □	□	50% to 75%
■ ■ □ □	□ □	25% to 50%
■ □ □ □	□ □ □ □	0% to 25%

NOTE: Depending on the conditions of use and the ambient temperature, the indication may differ slightly from the actual capacity.

Adjusting depth of cut

CAUTION: After adjusting the depth of cut, always tighten the clamping screw securely.

► Fig.3: 1. Clamping screw 2. Depth guide

Loosen the clamping screw on the depth guide and move the base up or down. At the desired depth of cut, secure the base by tightening the clamping screw.

Bevel cutting

► Fig.4: 1. Clamping screw 2. Bevel scale plate

Loosen the clamping screw on the bevel scale plate on the front of the base. Set for the desired angle (0° - 45°) by tilting accordingly, then tighten the clamping screw securely.

Sighting

► Fig.5: 1. Cutting line

For straight cuts, align the A position on the front of the base with your cutting line. For 45° bevel cuts, align the B position with it.

Switch action

CAUTION: Before installing the battery cartridge into the tool, always check to see that the switch trigger actuates properly and returns to the "OFF" position when released.

CAUTION: Do not pull the switch trigger hard without pressing the lock-off lever. This can cause switch breakage.

► Fig.6: 1. Lock-off lever 2. Switch trigger

To prevent the switch trigger from being accidentally pulled, a lock-off lever is provided. To start the tool, slide the lock-off lever and pull the switch trigger. Release the switch trigger to stop.

ASSEMBLY

CAUTION: Always be sure that the tool is switched off and the battery cartridge is removed before carrying out any work on the tool.

Installing or removing diamond wheel

CAUTION: Use only the Makita wrench to install or remove the diamond wheel.

CAUTION: When installing the diamond wheel, be sure to tighten the bolt securely.

CAUTION: Always install the diamond wheel so that the arrow on the diamond wheel points in the same direction as the arrow on the diamond wheel case. Otherwise the wheel rotates in reverse, it may cause personal injury.

- **Fig.7:** 1. Shaft lock 2. Hex wrench 3. Tighten 4. Loosen
- **Fig.8:** 1. Hex bolt 2. Outer flange 3. Diamond wheel 4. Inner flange 5. Arrow

To remove the diamond wheel, press the shaft lock fully so that the diamond wheel cannot revolve and use the hex wrench to loosen the hex bolt counterclockwise. Then remove the hex bolt, outer flange and diamond wheel.

To install the diamond wheel, follow the removal procedure in reverse. Make sure the diamond wheel is installed so that the arrow on the wheel points in the same direction as the arrow on the diamond wheel case.

BE SURE TO TIGHTEN THE HEX BOLT SECURELY.

- **Fig.9:** 1. Hex bolt 2. Outer flange 3. Diamond wheel 4. Inner flange 5. Protrusion (bigger side)

NOTE: If an inner flange is removed by chance, install the inner flange so that its protrusion (bigger side) faces inside as shown in the figure.

Hex wrench storage

- **Fig.10:** 1. Hex wrench

When not in use, store the hex wrench as shown in the figure to keep it from being lost.

Installing water supply

Loosen the screw A.

Slide the tank holder all the way over the motor housing so that the notch of the band (part of the tank holder) is positioned just below the screw head of the tool as illustrated.

Then tighten the screw A.

- **Fig.11:** 1. Screw A 2. Tank holder 3. Motor housing 4. Notch of the band (part of the tank holder) 5. Screw head of the tool

Attach the tank on the tank holder so that the tank holder fits between the step and dots. Connect the cap on the tube end to the mouth of the tank. Turn the tank clockwise. Then tighten the screw B.

- **Fig.12:** 1. Tank 2. Tube 3. Screw B

Water supply

CAUTION: When filling the tank with water, be careful not to let the tool get wet.

Be sure that the water supply cock is closed before filling the tank with water. Open the cap on the tank and fill the water. Recap the tank.

- **Fig.13:** 1. Water supply cock 2. Close 3. Open

- **Fig.14:** 1. Cap 2. Open

OPERATION

CAUTION: This tool should only be used on horizontal surfaces.

CAUTION: Be sure to hold the workpiece firmly down on a stable bench or table during operation.

CAUTION: Do not twist or force the tool in the cut, or the motor may be overloaded or the workpiece may break.

CAUTION: Do not use the tool with the diamond wheel in an upward or sideways position.

CAUTION: The wheel for this tool is a wet-type diamond wheel for glass and tile applications. Be sure to feed water to the diamond wheel during operation.

CAUTION: If the cutting action of the diamond wheel begins to diminish, dress the cutting edge of the wheel using an old discarded coarse grit bench grinder wheel or concrete block. Dress by pressing lightly on the outer edge of the diamond wheel.

- **Fig.15**

Hold the tool firmly. Set the base plate on the workpiece to be cut without the wheel making any contact. Then turn the tool on and wait until the wheel attains full speed.

Feed water to the wheel by adjusting the water supply cock to obtain a gentle flow of water.

Move the tool forward over the workpiece surface, keeping it flat and advancing smoothly until the cutting is completed. Keep your cutting line straight and your speed of advance uniform.

For fine, clean cuts, cut slowly. (When cutting glass plate 5 mm (3/16") thick, cut at about 250 mm/min (9-7/8"/min). When cutting tile 10 mm (3/8") thick, cut at about 300 mm/min (11-13/16"/min).) Also slow down as you complete a cut to avoid breaking or cracking the workpiece being cut.

NOTE: When the battery cartridge temperature is low, the tool may not work to its full capacity. At this time, for example, use the tool for a light-duty cut for a while until the battery cartridge warms up as high as room temperature. Then, the tool can work to its full capacity.

NOTE: Make sure that the water supply cock is closed before operation.

MAINTENANCE

⚠ CAUTION: Always be sure that the tool is switched off and the battery cartridge is removed before attempting to perform inspection or maintenance.

NOTICE: Never use gasoline, benzine, thinner, alcohol or the like. Discoloration, deformation or cracks may result.

To maintain product SAFETY and RELIABILITY, repairs, any other maintenance or adjustment should be performed by Makita Authorized or Factory Service Centers, always using Makita replacement parts.

OPTIONAL ACCESSORIES

⚠ CAUTION: These accessories or attachments are recommended for use with your Makita tool specified in this manual. The use of any other accessories or attachments might present a risk of injury to persons. Only use accessory or attachment for its stated purpose.

If you need any assistance for more details regarding these accessories, ask your local Makita Service Center.

- Diamond wheels
- Hex wrench
- Makita genuine battery and charger

NOTE: Some items in the list may be included in the tool package as standard accessories. They may differ from country to country.

SPECIFIKATIONER

Modell:		CC301D	
Diamantskiva, diameter		85 mm	
Max. skivtjocklek		0,8 mm	
Max. kapningsdjup	vid 0 graders vinkel	25,5 mm	
	vid 45 graders vinkel	16,5 mm	
Nominellt varvtal		1 500 min ⁻¹	
Märkspänning		10,8 V likström	
Batterikassett		BL1015, BL1020B	BL1040B
Total längd		313 mm	331 mm
Nettovikt		1,8 kg	1,9 kg

- På grund av vårt pågående program för forskning och utveckling kan dessa specifikationer ändras utan föregående meddelande.
- Specifikationer och batterikassett kan variera mellan olika länder.
- Vikt, med batterikassett, i enlighet med EPTA-procedure 01/2003

Avsedd användning

Verktyget är avsett för skärning i glas och murverk med en diamantskiva och vatten.

Buller

Den normala bullernivån för A-belastning är bestämd enligt EN60745:

Ljudtrycksnivå (L_{pA}): 84 dB (A)

Ljudeffektnivå (L_{WA}): 95 dB (A)

Måttolerans (K): 3 dB (A)

⚠ VARNING: Använd hörselskydd.

Vibration

Det totala vibrationsvärdet (treaxlad vektorsumma) bestämt enligt EN60745:

Arbetsläge: betongskärning

Vibrationsemission (a_h): 2,5 m/s² eller lägre

Måttolerans (K): 1,5 m/s²

OBS: Det deklarerade vibrationsemissionsvärdet har uppmätts i enlighet med standardtestmetoden och kan användas för att jämföra en maskin med en annan.

OBS: Det deklarerade vibrationsemissionsvärdet kan också användas i en preliminär bedömning av exponering för vibration.

⚠ VARNING: Vibrationsemissionen under faktisk användning av maskinen kan skilja sig från det deklarerade emissionsvärdet, beroende på hur maskinen används.

⚠ VARNING: Var noga med att identifiera säkerhetsåtgärder för att skydda användaren, vilka är grundade på en uppskattning av graden av exponering för vibrationer under de faktiska användningsförhållandena, (ta, förutom avtryckartiden, med alla delar av användarcykeln i beräkningen, som till exempel tiden då maskinen är avstängd och när den går på tomgång).

EG-försäkran om överensstämmelse

Gäller endast inom EU

EU-försäkran om överensstämmelse inkluderas som bilaga A till denna bruksanvisning.

SÄKERHETSVARNINGAR

Allmänna säkerhetsvarningar för maskiner

⚠ VARNING: Läs igenom alla säkerhetsvarningar och anvisningar. Underlåtenhet att följa varningar och instruktioner kan leda till elstöt, brand och/eller allvarliga personskador.

Spara alla varningar och instruktioner för framtida referens.

Termen "maskin" som anges i varningarna hänvisar till din eldrivna maskin (sladdansluten) eller batteridrivna maskin (sladdlös).

Säkerhetsvarningar för batteridrivna glas- och kakelskärare

- Sprängskyddet som medföljer verktyget måste vara ordentligt fäst vid verktyget och placeras för maximal säkerhet, så att minsta möjliga yta av kapskivan är öppen mot användaren. Se till att du själv och kringstående personer är ur vägen för den roterande kapskivan.** Sprängskyddet skyddar användaren mot trasiga skivfragment och oavsiktlig kontakt med kapskivan.
- Verktyget får endast användas med diament-skivor.** Även om ett tillbehör kan fästas på verktyget garanterar detta inte säker användning.
- Tillbehörets nominella varvtalet måste vara minst lika med det maximala varvtalet som anges på verktyget.** Tillbehör som används över det nominella varvtalet kan gå sönder och orsaka skador.
- Kapskivorna får endast användas till rekommenderade arbetsuppgifter. Till exempel: Slipa inte med en kapskivas utsida.** Slipande kapskivor är avsedda för periferislipning. Sidokrafter kan spränga sådana skivor.
- Använd alltid oskadade skivflänsar i rätt diameter till din kapskiva.** Rätt skivflänsar stöder kapskivan och minskar därigenom risken för att skivan går sönder.
- Tillbehörets ytterdiameter och tjocklek måste vara anpassad till elverktygets kapacitetsklassning.** Tillbehör i olämpligt storlek kan inte skyddas eller styras tillräckligt väl.
- Styrhålet på skivor och flänsar måste exakt passa elverktygets spindelstorlek.** Skivor och flänsar med styrhål som inte passar monteringen på elverktyget orsakar obalans, överdriven vibration och eventuellt att användaren förlorar kontrollen över verktyget.
- Använd inte skadade skivor. Kontrollera skivorna avseende flisor och sprickor innan varje användning. Om du tappar verktyget eller kapskivan ska du kontrollera att det inte har uppstått några skador, eller montera en oskadad skiva. Efter inspektion och montering av kapskivan ska du placera dig själv och eventuella kringstående personer ur vägen för den roterande skivan och köra verktyget på full hastighet utan last i en minut. Skadade kapskivor går normalt sett sönder under den här testperioden.**
- Använd personlig skyddsutrustning. Använd visir, korgglasögon eller skyddsglasögon beroende på arbetsuppgift. Om så är lämpligt använder du dammask, hörselskydd, handskar och verkstadsförkläde som kan skydda mot avskrap eller små fragment från arbetsstycket. Ögonskyddet måste kunna stoppa flygande fragment som uppstår vid olika arbeten. Dammskyddet eller andningsskyddet måste kunna filtrera partiklar som uppstår vid olika arbeten. Lång tid i kraftigt buller kan orsaka hörselskador.**
- Håll personer i omgivningen på säkert avstånd från arbetsområdet. Alla som befinner sig i arbetsområdet måste använda skyddsutrustning. Fragment från arbetsstycket eller från en trasig kapskiva kan flyga iväg och orsaka skada bortom det omedelbara arbetsområdet.**
- Håll endast verktyget i de isolerade handtagen om det finns risk för att skärverktyget kan komma i kontakt med en dold elkabel.** Om skärverktyget kommer i kontakt med en strömförande ledning blir verktygets blottlagda metalldelar strömförande och kan ge användaren en elektrisk stöt.
- Placera nätsladden på avstånd från det roterande tillbehöret.** Om du förlorar kontrollen kan kabeln kapas eller fastna och din hand eller arm riskerar att dras in i den roterande kapskivan.
- Lägg aldrig elverktyget åt sidan förrän det har stannat helt.** Den roterande kapskivan kan gripa tag i ytan och du kan förlora kontrollen över verktyget.
- Kör inte verktyget samtidigt som du bär det.** Oavsiktlig kontakt med det roterande tillbehöret kan leda till att det fastnar i dina kläder och dras in mot kroppen.
- Rengör regelbundet verktygets ventilationsöppningar.** Motorns fläkt suger in damm i höljet och överdriven ansamling av pulveriserad metall kan orsaka elektrisk fara.
- Använd inte verktyget i närheten av lättantändliga material.** Gnistor kan antända dessa material.

Varningar för bakåtkast och liknande

Bakåtkast inträffar som en plötslig reaktion på en fastklämd eller fasthakad roterande kapskiva. Fastklämning eller fasthaktning orsakar snabbstopp av den roterande kapskivan, vilket i sin tur tvingar verktyget i motsatt riktning mot skivans rörelse vid kärvningspunkten. Om till exempel en slipskiva fastnar i eller kläms fast av arbetsstycket kan skivans kapande kant gräva sig in i materialytan vid klämpunkten, vilket leder till att skivan klättrar eller kastas tillbaka. Skivan kan antingen hoppa mot eller från användaren, beroende på skivans rörelseriktning vid klämpunkten. Slipskivorna kan även gå sönder under dessa omständigheter. Bakåtkast beror på ovarsamhet och/eller felaktiga arbetsrutiner, och kan undvikas genom att vidta nedanstående förebyggande åtgärder.

- Se till att hålla verktyget i ett fast grepp och placera kroppen och din arm på ett sätt som gör att du kan stå emot kraften från bakåtkast. Använd alltid ett extrahandtag, om sådant finns, för maximal kontroll vid bakåtkast eller vridrörelsen vid start.** Användaren kan kontrollera vridrörelsen eller krafterna vid bakåtkast om rätt försiktighetsåtgärder vidtas.
- Placera aldrig din hand nära det roterande tillbehöret.** Tillbehöret kan kastas bakåt över din hand.
- Placera inte din kropp i linje med den roterande kapskivan.** Bakåtkast driver verktyget i motsatt riktning till kapskivans rörelse vid kärvningspunkten.
- Var extra försiktig när du bearbetar hörn, vassa kanter osv. Undvik att studs och stöta tillbehöret.** Hörn, skarpa kanter eller studsning har en tendens att klämma det roterande tillbehöret och orsaka förlorad kontroll eller bakåtkast.
- Montera inte en sågkedja, ett snidarblad eller en segmenterad diamentkiva med en segmenthöjd på över 10 mm. Montera inte heller ett tandat sågblad.** Sådana blad orsakar ofta bakåtkast och förlorad kontroll.

6. ”Pressa” inte kapskivan eller utsätt den för överdrivet tryck. Försök inte att göra ett alltför stort kapdjup. Om kapskivan överbelastas ökar belastningen och risken för att skivan vrids eller fastnar i kapet samt risken för bakåtkast eller att skivan går sönder.
7. Om kapskivan kärvar eller om ett kap avbryts stänger du av elverktyget och håller det stilla tills skivan har stannat helt. Försök aldrig att ta bort kapskivan från kapet medan skivan rör sig, då detta kan orsaka bakåtkast. Undersök och vidta korrigeringsåtgärder för att eliminera orsaken till att kapskivan fastnar.
8. Starta inte om kapningen med verktyget kvar i arbetsstycket. Låt kapskivan uppnå full hastighet och för den varsamt in i spåret. Kapskivan kan fastna, vandra uppåt eller kastas bakåt om elverktyget startas om i arbetsstycket.
9. Stötta långa eller stora arbetsstycken för att minimera risken för att kapskivan fastnar och kastas bakåt. Stora arbetsstycken tenderar att svikta på grund av sin egen vikt. Stöd måste placeras under arbetsstycket nära såglinjen och nära arbetsstyckets kanter på båda sidorna om kapskivan.
10. Var extra försiktig vid genomstickssågning i en befintlig vägg eller andra dolda utrymmen. Den utskjutande kapskivan kan kapa gas- eller vattenledningar, elledningar eller föremål som kan orsaka bakåtkast.
3. Om drifttiden blivit avsevärt kortare ska användningen avbrytas omedelbart. Det kan uppstå överhettning, brännskador och t o m en explosion.
4. Om du får elektrolyt i ögonen ska de sköljas med rent vatten och läkare uppsöks omedelbart. Det finns risk för att synen förloras.
5. Kortslut inte batterikassetten.
 - (1) Rör inte vid polerna med något strömförande material.
 - (2) Undvik att förvara batterikassetten tillsammans med andra metallobjekt som t.ex. spikar, mynt o.s.v.
 - (3) Skydda batteriet mot vatten och regn. En batterikortslutning kan orsaka ett stort strömflöde, överhettning, brand och maskinhaveri.
6. Förvara inte maskinen och batterikassetten på platser där temperaturen kan nå eller överstiga 50 °C.
7. Bränn inte upp batterikassetten även om den är svårt skadad eller helt utsliten. Batterikassetten kan explodera i öppen eld.
8. Var försiktig så att du inte råkar tappa batteriet och utsätt det inte för stötar.
9. Använd inte ett skadat batteri.
10. De medföljande litiumjonbatterierna är föremål för kraven i gällande lagstiftning för farligt gods.

Ytterligare säkerhetsvarningar:

1. Innan du använder en segmenterad diamantskiva ska du se till att diamantskivan har en segmenthöjd på högst 10 mm, endast med negativ spånvinkel.
2. Säg aldrig med verktyget upp och ner i ett skruvståd. Detta är ytterst farligt och kan leda till allvarliga olyckor.
3. Vissa material kan innehålla giftiga kemikalier. Se till att du inte andas in damm eller får det på huden. Följ anvisningarna i leverantörens materialsäkerhetsblad.
4. Förvara skivorna enligt tillverkarens rekommendationer. Felaktig förvaring kan skada skivorna.
- För kommersiella transporter (av t.ex. tredje parter som speditorsfirmor) måste de särskilda transportkrav som anges på emballaget och etiketter iakttagas. För att förbereda den produkt som ska avsändas krävs att du konsulterar en expert på riskmaterial. Var också uppmärksam på att det i ditt land kan finnas ytterligare föreskrifter att följa. Tejpa över eller maskera blottade kontakter och packa batteriet på sådant sätt att det inte kan röra sig fritt i förpackningen.
11. Följ lokala föreskrifter beträffande avfallshandling av batteriet.

SPARA DESSA ANVISNINGAR.

⚠ VARNING: GLÖM INTE att också fortsättningsvis strikt följa säkerhetsanvisningarna för maskinen även efter att du blivit van att använda den. Vid **FELAKTIG HANTERING** av maskinen eller om inte säkerhetsanvisningarna i denna bruksanvisning följs kan följden bli allvarliga personskador.

Viktiga säkerhetsanvisningar för batterikassetten

1. Innan batterikassetten används ska alla instruktioner och varningsmärken på (1) batteriladdaren, (2) batteriet och (3) produkten läsas.
2. Montera inte isär batterikassetten.

SPARA DESSA ANVISNINGAR.

⚠ FÖRSIKTIGT: Använda endast äkta Makita-batterier. Användning av oäkta Makita-batterier eller batterier som har manipulerats kan leda till person- och utrustningsskador eller till att batteriet fattar eld. Det upphäver också Makitas garanti för verktyget och laddaren.

Tips för att uppnå batteriets maximala livslängd

1. Ladda batterikassetten innan den är helt urladdad. Stanna alltid maskinen och ladda batterikassetten när du märker att maskinen blir svagare.
2. Ladda aldrig en fulladdad batterikasset. Överladdning förkortar batteriets livslängd.
3. Ladda batterikassetten vid en rumstemperatur på 10 °C - 40 °C. Låt en varm batterikasset svalna innan den laddas.

FUNKTIONSBESKRIVNING

⚠ FÖRSIKTIGT: Se alltid till att maskinen är avstängd och batterikassetten borttagen innan du justerar maskinen eller kontrollerar dess funktioner.

Montera eller demontera batterikassetten

⚠ FÖRSIKTIGT: Stäng alltid av maskinen innan du monterar eller tar bort batterikassetten.

⚠ FÖRSIKTIGT: Håll stadigt i maskinen och batterikassetten när du monterar eller tar bort batterikassetten. I annat fall kan det leda till att de glider ur dina händer och orsakar skada på maskinen och batterikassetten samt personskada.

► **Fig. 1:** 1. Röd indikator 2. Knapp 3. Batterikassett

Ta bort batterikassetten genom att skjuta ner knappen på kassetterns framsida samtidigt som du drar ut batterikassetten.

Sätt in batterikassetten genom att rikta in tungan på batterikassetten mot spåret i höljet och skjut den på plats. Tryck in batterikassetten ordentligt tills den låser fast med ett klick. Om du kan se den röda indikatorn på knappens ovansida är den inte låst ordentligt.

⚠ FÖRSIKTIGT: Sätt alltid in batterikassetten helt tills den röda indikatorn inte längre syns. I annat fall kan den oöventat falla ur maskinen och skada dig eller någon annan.

⚠ FÖRSIKTIGT: Montera inte batterikassetten med våld. Om kassetten inte lätt glider på plats är den felinsatt.

Skyddssystem för batteri

Maskinen är utrustad med ett batteriskyddssystem. Detta system bryter automatiskt strömmen till motorn för att förlänga batteriets livslängd.

Maskinen stoppas automatiskt under pågående användning om någon av följande situationer uppstår:

Överbelastning:

Maskinen används på ett sätt som gör att den förbrukar onormalt mycket ström.

När detta sker stänger du av maskinen och upphör med arbetet som gjorde att maskinen överbelastades. Starta därefter upp maskinen igen.

Om maskinen inte startar är batteriet överhettat. Låt då batteriet svalna innan du startar maskinen igen.

Batterispänningen faller:

Den kvarvarande batterikapaciteten är för låg och maskinen fungerar inte. Om du trycker in avtryckaren går motorn igång men stannar snart igen. I detta läge tar du bort batteriet och laddar det.

Indikerar kvarvarande batterikapacitet

Gäller endast för batterikassetter med ett "B" på slutet i modellnumret

► **Fig. 2:** 1. Indikatorlampor 2. Kontrollknapp

Tryck på kontrollknappen på batterikassetten för att se kvarvarande batterikapacitet. Indikatorlamporna lyser i ett par sekunder.

Indikatorlampor		Återstående kapacitet
Upplyst	Av	
■ ■ ■ ■		75% till 100%
■ ■ ■ □		50% till 75%
■ ■ □ □		25% till 50%
■ □ □ □		0% till 25%

OBS: Beroende på användningsförhållanden och den omgivande temperaturen kan indikationen skilja sig lätt från den faktiska batterikapaciteten.

Justera sågdjupet

⚠ FÖRSIKTIGT: Dra alltid åt låsskraven ordentligt efter att sågdjupet justerats.

► **Fig. 3:** 1. Låsskruv 2. Djupanslag

Lossa på klåmskraven på djupanslaget och flytta bottenplattan uppåt eller nedåt. Lås bottenplattan med klåmskraven när du har ställt in skärdjupet.

Vinkelsågning

► **Fig. 4:** 1. Låsskruv 2. Platta med vinkelskala

Lossa låsskraven på vinkelskalan på den främre delen av bottenplattan. Ställ in lämplig vinkel (0° - 45°) genom att luta verktyget i motsvarande mån och dra sedan åt låsskraven.

Inriktning

► **Fig. 5:** 1. Säglinje

För raka skär används position A fram till på bottenplattan för att rikta in såglinjen. För 45° vinkelsågning används position B.

Avtryckarens funktion

⚠ FÖRSIKTIGT: Innan du sätter in batterikassetten i maskinen ska du kontrollera att avtryckaren fungerar och återgår till läget "OFF" när du släpper den.

⚠ FÖRSIKTIGT: Tryck inte in avtryckaren utan att ha tryckt in säkerhetsspärren. Det kan skada avtryckaren.

► **Fig. 6:** 1. Säkerhetsspärren 2. Avtryckare

Säkerhetsspärrens funktion är att förhindra att avtryckaren trycks in oavsiktligt. Tryck in säkerhetsspärren och sedan avtryckaren för att starta verktyget. Släpp avtryckaren för att stoppa verktyget.

MONTERING

⚠ FÖRSIKTIGT: Se alltid till att maskinen är avstängd och batterikassetten borttagen innan du underhåller maskinen.

Montering eller demontering av diamantskiva

⚠ FÖRSIKTIGT: Använd endast insexnyckel från Makita för att montera eller ta bort diamantskivan.

⚠ FÖRSIKTIGT: Se till att dra åt bulten ordentligt när du monterar diamantskivan.

⚠ FÖRSIKTIGT: Montera alltid diamantskivan så att pilen på den pekar i samma riktning som pilen på höljets för diamantskivan. I annat fall roterar skivan bakåt och kan orsaka personskadorna.

► **Fig.7:** 1. Spindellås 2. Insexnyckel 3. Dra åt 4. Lossa

► **Fig.8:** 1. Sexkantsbult 2. Yttre fläns 3. Diamantskiva 4. Inre fläns 5. Pil

TA BORT DIAMANTSKIVAN GENOM ATT TRYCKA MED FULL KRAFT PÅ AXELBROMSEN SÅ ATT DIAMANTSKIVAN INTE KAN ROTERA, OCH LOSSA SEDAN PÅ SEXKANTSBULTEN MOTURS MED INSEXNYCKELN. DÄREFTER TAR DU BORT SEXKANTSBULTEN, DEN YTTRE FLÄNSEN OCH DIAMANTSKIVAN.

FÖLJ DEMONTERINGSPROCEDUREN I OMVÄND ORDNING FÖR ATT MONTERA DIAMANTSKIVAN. MONTERA ALLTID DIAMANTSKIVAN SÅ ATT PILN PÅ DEN PEKAR I SAMMA RIKTNING SOM PILN PÅ HÖLJET FÖR DIAMANTSKIVAN.

SE TILL ATT SEXKANTSBULTEN DRAS ÅT ORDENTLIGT.

► **Fig.9:** 1. Sexkantsbult 2. Yttre fläns 3. Diamantskiva 4. Inre fläns 5. Utsprång (större sidan)

OBS: Om en inre fläns tas bort av misstag ska du montera den så att dess utsprång (större sidan) riktas inåt, såsom visas i figuren.

Förvaring av insexnyckel

► **Fig.10:** 1. Insexnyckel

Förvara insexnyckeln enligt figuren när den inte används, så att du alltid har den till hands.

Montering av vattentillförsel

Lossa på skruven A.

Skjut tankhållaren hela vägen över motorhuset så att skåran i bandet (en del av tankhållaren) positioneras precis under verktygets skruvhuvud enligt vad som visas nedan.

Dra sedan åt skruven A.

► **Fig.11:** 1. Skruv A 2. Tankhållare 3. Motorhus 4. Skåra i bandet (en del av tankhållaren) 5. Verktygets skruvhuvud

Fäst tanken i tankhållaren så att tankhållaren passar in mellan steget och punkterna. Anslut hylsan på slangändan till tanköppningen. Vrid tanken medurs. Dra sedan åt skruven B.

► **Fig.12:** 1. Tank 2. Slang 3. Skruv B

Vattentillförsel

⚠ FÖRSIKTIGT: Var försiktig så att verktyget inte blir blött när tanken fylls på med vatten.

Kontrollera att kranen för vattentillförseln är stängd innan tanken fylls på med vatten. Öppna locket på tanken och fyll på med vatten. Sätt tillbaka locket på tanken igen.

► **Fig.13:** 1. Kran för vattentillförsel 2. Stäng 3. Öppna

► **Fig.14:** 1. Hylsa 2. Öppna

ANVÄNDNING

⚠ FÖRSIKTIGT: Detta verktyg får endast användas på vågräta ytor.

⚠ FÖRSIKTIGT: Tryck ned arbetsstycket ordentligt på en stabil bänk eller ett stabilt bord under användning.

⚠ FÖRSIKTIGT: Vrid inte eller tvinga verktyget i någon riktning vid skärningen, eftersom motorn då kan överbelastas eller arbetsstycket gå av.

⚠ FÖRSIKTIGT: Använd inte verktyget med diamantskivan i ett uppvänt eller sidoställt läge.

⚠ FÖRSIKTIGT: Skivan för detta verktyg är en diamantskiva för våt kapning av glas och tegel. Se till att mata vatten till diamantskivan under pågående arbete.

⚠ FÖRSIKTIGT: Om diamantskivans skärförånga börjar avta slipar du kanten på diamantskivan med en gammal, kasserad slipskiva som är grovkornig från bänkslipmaskin eller ett betongblock. Slipa genom att lätt trycka på ytterkanten av diamantskivan.

► **Fig.15**

Håll verktyget i ett fast grepp. Ställ ned bottenplattan på arbetsstycket utan att diamantskivan kommer i kontakt med arbetsstycket.

Starta sedan verktyget och vänta tills diamantskivan uppnått full hastighet.

Mata vatten till diamantskivan genom att justera kranen för vattentillförsel för att få ett långsamt flöde.

För sedan verktyget framåt i en mjuk rörelse över arbetsstyckets yta med verktyget plant mot arbetsstycket tills kapningen är genomförd. Upprätthåll en rak skärlinje och en jämn hastighet framåt.

Skär långsamt för att få en fin och ren skärlinje. (Vid skärning av 5 mm tjocka glasskivor skär du vid cirka 250 mm/min. Vid skärning av 10 mm tjocka tegelplattor skär du vid cirka 300 mm/min.) Kom dessutom ihåg att sakta ned när du avslutar en skärning för att undvika att det arbetsstycke som skärs bryts av eller spräcks.

OBS: När batterikassetten temperatur är låg kan det hända att verktyget inte arbetar med full kapacitet. Använd då förslagsvis verktyget för ett lätt skärningsarbete ett tag tills batterikassetten värmts upp så pass mycket som till rumstemperatur. Därefter kan verktyget arbeta med full kapacitet igen.

OBS: Kontrollera att kranen för vattentillförsel är stängd före användning.

UNDERHÅLL

⚠ FÖRSIKTIGT: Se alltid till att maskinen är avstängd och batterikassetten borttagen innan inspektion eller underhåll utförs.

OBSERVERA: Använd inte bensin, förtunningsmedel, alkohol eller liknande. Missfärgning, deformation eller sprickor kan uppstå.

För att upprätthålla produktens SÄKERHET och TILLFÖRLITLIGHET bör allt underhålls- och justeringsarbete utföras av ett auktoriserat Makita servicecenter och med reservdelar från Makita.

VALFRIA TILLBEHÖR

⚠ FÖRSIKTIGT: Följande tillbehör eller tillsatser rekommenderas för användning med den Makita-maskin som denna bruksanvisning avser. Om andra tillbehör eller tillsatser används kan det uppstå risk för personskador. Använd endast tillbehören eller tillsatserna för de syften de är avsedda för.

Kontakta ditt lokala Makita servicecenter om du behöver ytterligare information om dessa tillbehör.

- Diamantskivor
- Insexnyckel
- Makitas originalbatteri och -laddare

OBS: Några av tillbehören i listan kan vara inkluderade i maskinpaketet som standardtillbehör. De kan variera mellan olika länder.

TEKNISKE DATA

Modell:		CC301D	
Maks. diamanthjuldiameter		85 mm	
Maks. hjultrykkelse		0,8 mm	
Maks. skjæredybde	ved 0° skjæring	25,5 mm	
	ved 45° skjæring	16,5 mm	
Angitt hastighet		1 500 min ⁻¹	
Nominell spenning		DC 10,8 V	
Batteriinnsett	BL1015, BL1020B	BL1040B	
Total lengde	313 mm	331 mm	
Nettovekt	1,8 kg	1,9 kg	

- På grunn av vårt kontinuerlige forsknings- og utviklingsprogram kan spesifikasjonene som oppgis i dette dokumentet endres uten varsel.
- Spesifikasjoner og batteriinnsett kan variere fra land til land.
- Vekt, med batteriinnsett, i henhold til EPTA-prosedyre 01/2003

Riktig bruk

Denne maskinen er laget for å skjære i glass og murematerialer med diamantskive og vann.

Støy

Typisk A-vektet lydtryknivå er bestemt i henhold til EN60745:

Lydtryknivå (L_{pA}): 84 dB (A)

Lydeffektnivå (L_{WA}): 95 dB (A)

Usikkerhet (K): 3 dB (A)

⚠ ADVARSEL: Bruk hørselsvern.

Vibrasjoner

Den totale vibrasjonsverdien (triaksial vektorsum) bestemt i henhold EN60745:

Arbeidsmodus: Kapping av betong

Genererte vibrasjoner (a_h): 2,5 m/s² eller mindre

Usikkerhet (K): 1,5 m/s²

MERK: Den angitte verdien for de genererte vibrasjonene er målt i samsvar med standardtestmetoden og kan brukes til å sammenlikne et verktøy med et annet.

MERK: Den angitte verdien for de genererte vibrasjonene kan også brukes til en foreløpig vurdering av eksponeringen.

⚠ ADVARSEL: De genererte vibrasjonene ved faktisk bruk av elektroverktøyet kan avvike fra den angitte vibrasjonsverdien, avhengig av hvordan verktøyet brukes.

⚠ ADVARSEL: Sørg for å identifisere vernetiltak for å beskytte operatøren, som er basert på et estimat av eksponeringen under de faktiske bruksforholdene (idet det tas hensyn til alle deler av driftssyklusen, dvs. hvor lenge verktøyet er slått av, hvor lenge det går på tomgang og hvor lenge startbryteren faktisk holdes trykket).

EFs samsvarserklæring

Gjelder kun for land i Europa

EUs samsvarserklæring er lagt til som vedlegg A i denne bruksanvisningen.

SIKKERHETSADVARSEL

Generelle advarsler angående sikkerhet for elektroverktøy

⚠ ADVARSEL: Les alle sikkerhetsadvarslene og alle instruksjonene. Hvis du ikke følger alle advarslene og instruksjonene som er oppført nedenfor, kan det føre til elektriske støt, brann og/eller alvorlige helseskader.

Oppbevar alle advarsler og instruksjoner for senere bruk.

Uttrykket «elektrisk verktøy» i advarslene refererer både til elektriske verktøy (med ledning) tilkoblet strømmenett, og batteridrevne verktøy (uten ledning).

Sikkerhetsadvarsler for batteridrevet kutter

1. **Den medfølgende verktøybeskyttelsen må festes skikkelig på det elektriske verktøyet og plasseres for maksimal sikkerhet, slik at en så liten del som mulig av skiven er eksponert mot operatøren. Still deg selv og andre vekk fra den roterende skivens plan.** Vernet bidrar til å beskytte brukeren mot brukne skivefragmenter og utilsiktet kontakt med skiven.
2. **Bruk bare diamantskiver med dette elektriske verktøyet.** Selv om et tilbehør kan monteres på verktøyet, betyr ikke dette at det er trygt å bruke.
3. **Angitt hastighet for tilbehøret må være minst like høy som største angitte hastighet på elektroverktøyet.** Tilbehør som kjøres med større hastighet enn det som er angitt, kan gå i stykker og slynges ut.
4. **Skiver må bare brukes slik det er anbefalt. For eksempel: Ikke slip med siden av en kappeskive.** Kappeskiver for pussing er bare beregnet for periferisk pussing. Sidekrefter mot disse skivene kan knuse dem.
5. **Bruk alltid uskadede skiveflenser med riktig diameter for skiven som er valgt.** Riktige skiveflenser støtter skiven og reduserer muligheten for skivebrudd.
6. **Den ytre diameteren og tykkelsen på tilbehøret må ligge innenfor den angitte kapasiteten for elektroverktøyet.** Tilbehør i feil størrelse kan ikke sikres eller kontrolleres fullgodt.
7. **Akselstørrelsen på skiver og flenser må være riktig tilpasset spindelen på verktøyet.** Skiver og flenser med akselhull som ikke korresponderer med monteringsmekanismen på verktøyet, vil komme ut av balanse, vibrere kraftig og kanskje føre til tap av kontroll.
8. **Ikke bruk skiver som er skadet. Undersøk skivene med hensyn til skår og sprekker før hver bruk.** Hvis elektroverktøyet eller skiven faller i bakken, må du undersøke om det oppstod skade eller montere en uskadd skive. Etter at skiven er undersøkt og montert, må du plassere deg selv og andre utenfor skivens rotasjonsplan og kjøre verktøyet på maksimal hastighet uten belastning i ett minutt. Skiver som er skadet, vil vanligvis gå i stykker i løpet av denne testen.
9. **Bruk personlig verneutstyr. Avhengig av bruksområdet, må du bruke visir eller vernebriller. Der det er aktuelt, må du bruke støvmaske, hørselvern, hansker og forkle som kan stoppe små slipefragmenter eller deler fra arbeidsområdet.** Øyevernet må kunne stoppe flygende biter som oppstår under ulike operasjoner. Støvmasken eller åndedrettsvernet må kunne filtrere ut partikler som oppstår under arbeidet. Kraftig lyd over lengre tid kan forårsake redusert hørsel.
10. **Hold andre på trygg avstand fra arbeidsområdet. Alle som beveger seg inn i arbeidsområdet må bruke personlig verneutstyr.** Fragmenter fra arbeidsområdet eller en skadet skive kan fly av sted og forårsake personskade utenfor det umiddelbare bruksstedet.
11. **Hold maskinen kun i det isolerte håndtaket når kuttetilbehøret kan komme i kontakt med skjulte ledninger under arbeidet.** Hvis kutteutstyret kommer i kontakt med «strømførende» ledninger, kan ikke isolerte metalldele i maskinen bli «strømførende» og kunne gi brukeren elektrisk støt.
12. **Plasser ledningen unna det roterende tilbehøret.** Hvis du mister kontrollen, kan ledningen bli kappet eller klemt fast, og hånden eller armen din kan bli trukket inn mot den roterende skiven.
13. **Ikke legg ned elektroverktøyet før tilbehøret har stoppet helt.** Den roterende skiven kan ta tak i underlaget og trekke verktøyet utenfor din kontroll.
14. **Ikke kjør elektroverktøyet når du bærer det langs siden.** Utilsiktet kontakt med roterende tilbehør kan føre til at det fester i klærne og trekkes inn mot kroppen.
15. **Rengjør verktøyets luftventiler regelmessig.** Motorens vifte trekker støv inn i verktøyhuset og mye oppsamlet metallstøv kan medføre elektrisk fare.
16. **Ikke bruk elektroverktøyet nær brennbare materialer.** Gnister kan antenne slike materialer.

Tilbakeslag og relaterte advarsler

Tilbakeslag er en plutselig reaksjon på en roterende skive som er klemt eller heklet fast. Fastklemming eller hekking gjør at den roterende skiven plutselig stopper, noe som i sin tur gjør at det ukontrollerbare elektroverktøyet kastes i motsatt retning av skivens rotasjonsretning ved fastklemmingspunktet.

Hvis for eksempel en slipe-skive klemmes eller hektes fast i arbeidsområdet, kan kanten på skiven som er fastklemt, grave seg inn i overflaten på materialet og føre til at skiven graver seg ut eller slås ut. Skiven kan enten sprette mot eller vekk fra operatøren, avhengig av rotasjonsretningen på skiven når den klemmes fast. Slipe-skiver kan også knekke under slike forhold. Tilbakeslag er et resultat av at elektroverktøyet misbrukes og/eller brukes på feil måte eller under feil forhold, og kan unngås ved å ta de nødvendige forholdsreglene som beskrives under.

1. **Hold godt fast i verktøyet og plasser kroppen og armen din slik at du kan motstå kreftene i et tilbakeslag. Bruk alltid hjelpehåndtak når det følger med, for å få best mulig kontroll over tilbakeslag eller dreiemomentreaksjonen ved oppstart.** Operatøren kan kontrollere dreiemomentreaksjonen eller tilbakeslagskreftene hvis de riktige forholdsreglene tas.
2. **Legg aldri hånden nær det roterende tilbehøret.** Tilbehøret kan slå tilbake over hånden.
3. **Ikke plasser kroppen på linje med den roterende skiven.** Tilbakeslag gjør at verktøyet slås i motsatt retning av skivens bevegelse når den blir sittende fast.
4. **Vær spesielt forsiktig under arbeid med hjørner, skarpe kanter osv. Unngå å la tilbehøret sprette eller hugge.** Hjørner, skarpe kanter eller støt har en tendens til å klemme fast det roterende tilbehøret og forårsake tap av kontrollen eller tilbakeslag.
5. **Ikke monter et sagkjedeblad, treskjæringsblad, segmentert diamantskive med periferisk avstand over 10 mm eller tannet sagblad.** Slike blader gir ofte tilbakeslag og mangel på kontroll.

6. **Ikke «klem fast» skiven eller legg sterkt press på den. Ikke forsøk å kutte svært dypt.** For mye press på skiven øker belastningen og sjansen for at skiven vris eller setter seg fast under kutting, samt at det øker sjansen for tilbakeslag eller at skiven blir ødelagt.
7. **Når skiven fastklemmes eller du ønsker å avbryte kappingen, må du slå av verktøyet og holde det i ro til skiven har stoppet helt. Forsøk aldri å fjerne skiven fra kuttet mens den er i bevegelse, da dette kan forårsake tilbakeslag.** Undersøk årsaken til at skiven setter seg fast, og rett opp feilen.
8. **Ikke start kappingen på nytt mens skiven står i arbeidsemnet. La skiven nå full hastighet, og før den så ned i kuttet på nytt.** Skiven kan sette seg fast, bli trukket oppover eller gi tilbakeslag hvis det elektriske verktøyet startes på nytt i arbeidsemnet.
9. **Støtt opp plater eller store arbeidsemner for å minimere muligheten for fastklemming eller tilbakeslag.** Store arbeidsemner har en tendens til å synke under sin egen vekt. Det må plasseres støtter under arbeidsemnet nært kuttlinjen og nært kanten på arbeidsemnet på begge sider av skiven.
10. **Vær ekstra forsiktig når du lager «hull» i eksisterende vegger eller andre områder uten innsyn.** Skiven som stikker ut, kan kutte gass- eller vannrør, elektriske ledninger eller objekter som kan forårsake tilbakeslag.

Ekstra sikkerhetsadvarsler:

1. **Før bruk av en segmentert diamantslipeskive må du kontrollere at diamantslipeskiven har en periferisk åpning på mindre enn 10 mm mellom segmentene, kun med en negativ flisvinkel.**
 2. **Forsøk aldri å skjære mens maskinen holdes opp ned i en skrustikke. Dette er ekstremt farlig og kan forårsake alvorlige ulykker.**
 3. **Enkelte materialer inneholder kjemikalier som kan være giftige. Treff tiltak for å hindre hudkontakt og innånding av støv. Følg leverandørens sikkerhetsanvisninger.**
 4. **Oppbevar skivene i henhold til produsentens anbefalinger. Hvis skivene oppbevares på feil måte, kan de bli skadet.**
2. **Ikke ta fra hverandre batteriet.**
 3. **Hvis driftstiden er blitt vesentlig kortere, må du omgående slutte å bruke maskinen. Hvis ikke kan resultatet bli overoppheting, mulige forbrenninger eller til og med en eksplosjon.**
 4. **Hvis du får elektrolytt i øynene, må du skylle dem med store mengder rennende vann og oppsøke lege med én gang. Denne typen uhell kan føre til varig blindhet.**
 5. **Ikke kortslett batteriet:**
 - (1) **De kan være ekstremt varme og du kan brenne deg.**
 - (2) **Ikke lagre batteriet i samme beholder som andre metallgjenstander, som for eksempel spiker, mynter osv.**
 - (3) **Ikke la batteriet komme i kontakt med vann eller regn.**

En kortslutning av batteriet kan føre til et kraftig strømstøt, overoppheting, mulige forbrenninger og til og med til at batteriet går i stykker.

6. **Ikke lagre maskinen og batteriet på steder hvor temperaturen kan komme opp i eller overskride 50 °C.**
7. **Ikke sett fyr på batteriet, ikke engang om det er sterkt skadet eller helt utslitt. Batteriet kan eksplodere hvis det begynner å brenne.**
8. **Vær forsiktig så du ikke mister batteriet eller utsetter det for slag.**
9. **Ikke bruk batterier som er skadet.**
10. **Lithium-ion-batteriene som medfølger er gjenstand for krav om spesialavfall.** For kommersiell transport, f.eks av tredjeparter eller speditører, må spesielle krav om pakking og merking følges. For varen blir sendt, må du forhøre deg med en ekspert på farlig materiale. Ta også hensyn til muligheten for mer detaljerte nasjonale bestemmelser. Bruk teip eller maskeringsteip for å skjule åpne kontakter og pakk inn batteriet på en slik måte at den ikke kan bevege seg rundt i emballasjen.
11. **Følg lokale bestemmelser for avhending av batterier.**

TA VARE PÅ DISSE INSTRUKSENE.

⚠ ADVARSEL: IKKE LA hensynet til hva som er "behagelig" eller det faktum at du kjenner produktet godt (etter mange gangers bruk) gjøre deg mindre oppmerksom på sikkerhetsreglene for bruken av det aktuelle produktet. Ved MISBRUK eller hvis ikke sikkerhetsreglene i denne bruksanvisningen følges, kan det oppstå alvorlig personskade.

Viktige sikkerhetsanvisninger for batteriinnsetts

1. **Før du begynner å bruke batteriet, må du lese alle anvisninger og forsiktighetsregler på (1) batteriladeren, (2) batteriet og (3) det produktet batteriet skal brukes i.**

TA VARE PÅ DISSE INSTRUKSENE.

⚠ ADVARSEL: Bruk kun originale Makita-batterier. Bruk av batterier som har endret seg, eller som ikke er originale Makita-batterier, kan føre til at batteriet sprekker og forårsaker brann, personskader og andre skader. Det vil også ugyldiggjøre garantien for Makita-verktøyet og -laderen.

Tips for å opprettholde maksimal batterilevetid

1. **Lad batteriinnsettsen før den er helt utladet. Stopp alltid driften av verktøyet og lad batteriinnsettsen når du merker at effekten reduseres.**
2. **Lad aldri en batteriinnsetts som er fulladet. Overopplading forkorter batteriets levetid.**
3. **Lad batteriet i romtemperatur ved 10 °C - 40 °C. Et varmt batteri må kjøles ned før lading.**

FUNKSJONSBEKRIVELSE

⚠ ADVARSEL: Forviss deg alltid om at maskinen er slått av og batteriet tatt ut før du justerer maskinen eller kontrollerer dens mekaniske funksjoner.

Sette inn eller ta ut batteri

⚠ ADVARSEL: Slå alltid av verktøyet før du setter inn eller fjerner batteriet.

⚠ ADVARSEL: Hold verktøyet og batteripatronen i et fast grep når du monterer eller fjerner batteripatronen. Hvis du ikke holder verktøyet og batteripatronen godt fast, kan du miste grepet, og dette kan føre til skader på verktøyet og batteripatronen samt personskader.

► **Fig.1:** 1. Rød indikator 2. Knapp 3. Batteriinnsetts

For å ta ut batteriet må du skyve på knappen foran på batteriet og trekke det ut.

Når du skal sette inn batteriet, må du plassere tungen på batteriet på linje med sporet i huset og skyve batteriet på plass. Skyv det helt inn til det går i inngrep med et lite klikk. Hvis du kan se den røde anviseren på oversiden av knappen, er det ikke fullstendig låst.

⚠ ADVARSEL: Batteriet må alltid settes helt inn, så langt at den røde anviseren ikke lenger er synlig. Hvis dette ikke gjøres, kan batteriet komme til å falle ut av maskinen og skade deg eller andre som oppholder seg i nærheten.

⚠ ADVARSEL: Ikke bruk makt når du setter i batteriet. Hvis batteriet ikke blir helt inn, er det fordi det ikke settes inn på riktig måte.

Batteribeskyttelsessystem

Verktøyet er utstyrt med et batterivernsystem. Dette systemet slår automatisk av strømmen til motoren for å forlenge batteriets levetid.

Verktøyet stopper automatisk ved drift hvis det og/eller batteriet utsettes for en av følgende tilstander:

Overbelastning:

Verktøyet brukes på en måte som gjør at det trekker uvanlig mye strøm. I dette tilfellet må du slå av verktøyet og avslutte bruken som forårsaket at verktøyet ble overbelastet. Slå deretter verktøyet på for å starte det igjen.

Hvis verktøyet ikke starter, er batteriet overbelastet. I så fall må du la batteriet kjøle seg ned før du slår verktøyet på igjen.

Lav batterispenning:

Gjenværende batterikapasitet er for lav og verktøyet vil ikke fungere. Når du starter verktøyet, starter motoren, men den stopper like etterpå. I dette tilfellet, fjern og lad batteriet opp igjen.

Indikere gjenværende batterikapasitet

Kun for batterier med «B» sist i modellnummeret

► **Fig.2:** 1. Indikatorlamper 2. Kontrollknapp

Trykk på sjekk-knappen på batteriet for vise gjenværende batterikapasitet. Indikatorlampene lyser i et par sekunder.

Indikatorlamper		Gjenværende batterinivå
Tent	Av	
■ ■ ■ ■	□	75% til 100%
■ ■ ■ □	□	50% til 75%
■ ■ □ □	□	25% til 50%
■ □ □ □	□	0% til 25%

MERK: Det angitte nivået kan avvike noe fra den faktiske kapasiteten alt etter bruksforholdene og den omgivende temperaturen.

Justere skjæredybden

⚠ ADVARSEL: Når du har justert skjæredybden, må du alltid stramme klemskruen godt.

► **Fig.3:** 1. Klemskrue 2. Dybdeføring

Løsne klemskruen på dybdeføringen og før foten opp eller ned. Fest foten ved ønsket skjæredybde ved å stramme klemskruen.

Skråskjæring

► **Fig.4:** 1. Klemskrue 2. Skråskalaplate

Løsne klemskruen på skråskalaplatten foran på foten. Still inn ønsket vinkel (0° - 45°) ved å vippe på maskinen, og stram deretter klemskruen forsvarlig.

Sikting

► **Fig.5:** 1. Skjærelinje

Ved skjæring av rette linjer, må A-merket foran på foten rettes inn mot skjærelinjen på arbeidsemnet. For 45° skråskjæring må B-merket rettes inn mot skjærelinjen.

Bryterfunksjon

⚠ ADVARSEL: Før du setter batteriet inn i maskinen, må du alltid kontrollere at startbryteren aktiverer maskinen på riktig måte og går tilbake til «AV»-stilling når den slippes.

⚠ ADVARSEL: Ikke trykk hardt på utløseren uten å trykke på AV-sperrehendelen. Dette kan få bryteren til å brette.

► **Fig.6:** 1. Sperrehendel 2. Utløser

Maskinen er utstyrt med en sperrehendel som sikrer at utløseren ikke kan trykkes inn ved en feiltakelse. For å starte maskinen må du skyve AV-sperrehendelen og trykke på utløseren. Slipp opp utløseren for å stanse verktøyet.

MONTERING

⚠ ADVARSEL: Forviss deg alltid om at maskinen er slått av og batteriet tatt ut før du utfører noe arbeid på maskinen.

Montere eller demontere diamantskive

⚠ ADVARSEL: Bruk kun Makita-nøkkelen til å montere eller fjerne diamantskiven.

⚠ ADVARSEL: Sørg for at skruen er strammet til skikkelig før montering av diamantskive.

⚠ ADVARSEL: Monter alltid diamantskiven slik at pilen på skiven peker i samme retning som skivehuset. Ellers vil hjulet roterer i revers, som kan føre til personskade.

► **Fig.7:** 1. Spindellås 2. Sekskantnøkkel 3. Stramme 4. Løsne

► **Fig.8:** 1. Sekskantskrue 2. Ytre flens 3. Diamantskive 4. Indre flens 5. Pil

For å ta av diamantskiven må du trykke spindellåsen helt inn så skiven ikke kan rotere, og bruke sekskantsnøkkelen til å løsne sekskantskruen mot klokken. Fjern så sekskantskruen, den ytre flensen og diamantskiven.

Monter diamantskiven ved å følge fremgangsmåten for demontering i motsatt rekkefølge. Sørg for at diamantskiven alltid er montert slik at pilen på skiven peker i samme retning som skivehuset.

SØRG FOR AT SEKSKANTSKRUEN ER STRAMMET TIL SKIKKELIG.

► **Fig.9:** 1. Sekskantskrue 2. Ytre flens 3. Diamantskive 4. Indre flens 5. Fremspring (den største siden)

MERK: Hvis en indre flens fjernes ved en feiltakelse, monterer du den indre flensen slik at spærrehaken (den største siden) er vendt utover som vist på figuren.

Oppbevare sekskantnøkkel

► **Fig.10:** 1. Sekskantnøkkel

Når sekskantnøkkelen ikke er i bruk, må du oppbevare den som vist i figuren slik at du ikke mister den.

Montere vanntilførsel

Løsne skruen A.

Skyv tankholderen hele veien over motorhuset, slik at hakket på båndet (en del av tankholderen) er plassert like under skruhodet på verktøyet, som vist.

Stram så til skrue A.

► **Fig.11:** 1. Skrue A 2. Tankholder 3. Motorhus 4. Hakk på båndet (en del av tankholderen) 5. Skruhodet på verktøyet

Fest tanken på tankholderen, slik at tankholderen passer mellom trinnet og prikkene. Sett lokket til rørenden på utgangen til tanken. Skru tanken med klokken. Stram så til skrue B.

► **Fig.12:** 1. Tank 2. Rør 3. Skrue B

Vanntilførsel

⚠ ADVARSEL: Når du fyller tanken med vann, må du være forsiktig så ikke maskinen blir våt.

Sørg for at kranen for vanntilførsel er lukket før du fyller tanken med vann. Åpne tanklokket og fyll vannet. Sett på lokket igjen.

► **Fig.13:** 1. Kran for vanntilførsel 2. Lukke 3. Åpne

► **Fig.14:** 1. Deksel 2. Åpne

BRUK

⚠ ADVARSEL: Denne maskinen må bare brukes på horisontale overflater.

⚠ ADVARSEL: Hold arbeidsemnet godt fast på en stabil benk eller et bord mens arbeidet utføres.

⚠ ADVARSEL: Ikke vri eller tving maskinen i kuttet, da dette kan gjøre at motoren overbelastes eller at arbeidsemnet brekker.

⚠ ADVARSEL: Ikke bruk verktøyet med diamantskiven rettet oppover eller sidelengs.

⚠ ADVARSEL: Skiven til dette verktøyet er en våt diamantskive for bruk på glass og fliser. Sørg for at det tilføres vann på diamantskiven ved drift.

⚠ ADVARSEL: Hvis diamantskivens funksjon begynner å avta, må du slipe skjærekanten med en gammel grov sandslipestein eller en betongblokk. Slip ved å trykke lett på ytterkanten til diamantskiven.

► **Fig.15**

Hold verktøyet godt fast. Sett bunnplaten på arbeidsstykket som skal kuttes uten noen kontakt med hjulet. Deretter slår du verktøyet på, og venter til hjulet oppnår full hastighet.

Fyll vann til hjulet ved å justere vanntilførselskranen for å oppnå en forsiktig strøm av vann.

Før verktøyet frem over arbeidsstykkets overflate, hold den flatt og før den jevnt fremover til kuttet er fullført. Hold skjærelinjen rett og fremgangshastigheten jevn.

Skjær sakte for å få fine, rene kutt. (Når du kutter en glassplate som er 5 mm tykk, må du kutte omtrent 250 mm/min. Når du kutter fliser som er 10 mm tykke, må du kutte omtrent 300 mm/min.) Sakk farten når du fullfører et kutt for å unngå at arbeidsemnet brekker eller sprekker.

MERK: Maskinen fungerer ikke som tiltenkt når batteritemperaturen er for lav. Bruk maskinen til lett saging til batteriet er oppvarmet til romtemperatur. Deretter kan maskinen brukes med full kapasitet.

MERK: Sørg for at kranen for vanntilførsel er lukket før bruk.

VEDLIKEHOLD

⚠ADVARSEL: Forviss deg alltid om at maskinen er slått av og batteriet tatt ut før du foretar inspeksjon eller vedlikehold.

OBS: Aldri bruk gasolin, bensin, tynner alkohol eller lignende. Det kan føre til misfarging, deformering eller sprekkdannelse.

For å opprettholde produktets SIKKERHET og PÅLITELIGHET, må reparasjoner, vedlikehold og justeringer utføres av autoriserte Makita servicesentre eller fabrikk-servicesentre, og det må alltid brukes reservedeler fra Makita.

VALGFRITT TILBEHØR

⚠ADVARSEL: Det anbefales at du bruker dette tilbehøret eller verktøyet sammen med den Makita-maskinen som er spesifisert i denne håndboken. Bruk av annet tilbehør eller verktøy kan forårsake personskader. Tilbehør og verktøy må kun brukes til det formålet det er beregnet på.

Ta kontakt med ditt lokale Makita-servicesenter hvis du trenger mer informasjon om dette tilbehøret.

- Diamantskiver
- Sekskantnøkkel
- Makita originalbatteri og lader

MERK: Enkelte elementer i listen kan være inkludert som standardtilbehør i verktøypakken. Elementene kan variere fra land til land.

TEKNISET TIEDOT

Malli:	CC301D	
Timanttilaikan halkaisija	85 mm	
Laikan suurin paksuus	0,8 mm	
Suurin leikkaussyvyys	0°:een viisteityksellä	25,5 mm
	45°:een viisteityksellä	16,5 mm
Nimelliskoosteus	1 500 min ⁻¹	
Nimellistöjännite	DC 10,8 V	
Akkupaketti	BL1015, BL1020B	BL1040B
Kokonaispituus	313 mm	331 mm
Nettopaino	1,8 kg	1,9 kg

- Jatkuvasta tutkimus- ja kehitystyöstämme johtuen esitetyt tekniset tiedot saattavat muuttua ilman erillistä ilmoitusta.
- Tekniset tiedot ja akkupaketti voivat vaihdella maittain.
- Paino akkupaketilla, EPTA-menettelyn 01/2003 mukaan

Käyttötarkoitus

Tämä työkalu on tarkoitettu leikkaamaan lasia ja muurattuja materiaaleja timanttilaikkaa ja vettä käyttäen.

Melutaso

Tyypillinen A-painotettu melutaso määräytyy standardin EN60745 mukaan:

Äänenpainetaso (L_{PA}): 84 dB (A)

Äänen voiman taso (L_{WA}): 95 dB (A)

Virhemarginaali (K): 3 dB (A)

VAROITUS: Käytä kuulosuojaimia.

Tärinä

Kokonaistärinä (kolmen akselin vektorien summa)

määräytyy standardin EN60745 mukaan:

Työtila: betonin leikkaaminen

Tärinäpäästö (a_n): 2,5 m/s² tai alaisempi

Virhemarginaali (K): 1,5 m/s²

HUOMAA: Ilmoitettu tärinäpäästöarvo on mitattu standarditestausmenetelmän mukaisesti, ja sen avulla voidaan vertailla työkaluja keskenään.

HUOMAA: Ilmoitettua tärinäpäästöarvoa voidaan käyttää myös altistumisen alustavaan arviointiin.

VAROITUS: Työkalun käytön aikana mitattu todellinen tärinäpäästöarvo voi poiketa ilmoitetusta tärinäpäästöarvosta työkalun käyttötavan mukaan.

VAROITUS: Selvitä käyttäjän suojaamiseksi tarvittavat varotoimet todellisissa käyttöolosuhteissa tapahtuvan arvioidun altistumisen mukaisesti (ottaen huomioon käyttöjakso kokonaisuudessaan, myös jaksot, joiden aikana työkalu on sammutettuna tai käytettyäkin).

EY-vaatimustenmukaisuusvakuutus

Koskee vain Euroopan maita

EU-vaatimustenmukaisuusvakuutus on liitetty tähän käyttöoppaaseen.

TURVAROITUKSET

Sähkötyökalujen käyttöä koskevat yleiset varoitukset

VAROITUS: Lue huolellisesti kaikki turvallisuusvaroitukset ja käyttöohjeet. Jos varoitusten ja ohjeiden noudattaminen laiminlyödään, seurauksena voi olla sähköisku, tulipalo ja/tai vakava vammautuminen.

Säilytä varoitukset ja ohjeet tulevaa käyttöä varten.

Varoituksissa käytettävällä termillä "sähkötyökalu" tarkoitetaan joko verkkovirtaa käyttävää (johdollista) työkalua tai akkukäyttöistä (johdotonta) työkalua.

Akkukäyttöisen leikkurin turvallisuusohjeet

1. Työkalun mukana toimitettu suojus on kiinnitettävä laitteeseen tukevasti turvalliseen asentoon niin, että mahdollisimman pieni osa laikasta näkyy käyttäjää kohti. Asetu siten, että sinä itse tai kukaan sivullinen ei ole pyöriävän laikan kanssa samassa tasossa. Suoja suojaa käyttäjää rikkoutuneen laikan sirpaleilta ja estää koskettamasta laikkaa vahingossa.
2. Käytä ainoastaan laitteeseen tarkoitettuja timanttikatkaisulaikkoja. Vaikka lisävarusteen voikin kiinnittää työkaluusi, sen käyttö ei silti välttämättä ole turvallista.

3. **Lisävarusteen määrätyn nopeuden täytyy olla ainakin samanvertainen tehokoneessa osoitetun enimmäisnopeuden kanssa.** Sellaiset lisävarusteet, jotka toimivat nopeammin, kuin määritetty nopeus, voivat rikkoutua ja sinkoutua erilleen.
 4. **Laikkoja saa käyttää vain niille suositeltuun käyttötarkoitukseen.** Esimerkki: älä käytä katkaisulaikan sivua hiomiseen. Katkaisulaikkaa käytettäessä hionta on tarkoitettu tehtäväksi vain laikan kehällä. Laikkaan kohdistettava sivuttaisvoima voi rikkoa sen sirpaleiksi.
 5. **Käytä aina ehjiä laikkalaiippoja, joiden läpimitä vastaa valittua laikkaa.** Oikeantyyppiset laikkalaiapat tukevat laikkaa ja pienentävät näin laikan rikkoutumisriskiä.
 6. **Lisävarusteesi ulkohalkaisijan ja paksuuden on oltava tehokoneesi määritetyn kapasiteetin sisällä.** Väärin mitoitettuja lisävarusteita ei voida suojata tai ohjata sopivasti.
 7. **Laikkojen ja laippojen reikäkokojen täytyy sopia työkalun karaan täsmälleen.** Laikat ja laipat, joiden rei'itys ei vastaa työkalun kiinnitysosaa, toimivat epätasapainossa, värähtelevät laikkaa ja saattavat aiheuttaa hallinnan menetyksen.
 8. **Älä käytä viallisia laikkoja.** Tarkasta ennen jokaista käyttökertaa, ettei laikoissa ei ole lohkeamia tai halkeamia. Jos työkalu tai laikka pääsee putoamaan, tarkista sen kunto tai vaihda laikka ehjään. Asetu laikan tarkastuksen ja asennuksen jälkeen siten, että sinä itse tai kukaan sivullinen ei ole pyörivän laikan kanssa samassa tasossa, ja käytä laitetta sitten suurimmalla sallitulla joutokäyntinopeudella yhden minuutin ajan. Vialliset laikat rikkoontuvat yleensä tässä kokeessa.
 9. **Käytä suojavarusteita.** Käytä käyttötarkoituksen mukaisesti kasvosuojusta, suojalaseja tai sivusuojilla varustettuja lasseja. Käytä tarvittaessa hengityssuojainta, kuulosuojaimia, hansikkaita ja työessua, joka suojaa pieniltä pirstaleilta. Suojalasiin täytyy suojata kaikenlaisista töistä aiheutuilta lentäviltä pirstaleilta. Hengityssuojaimen täytyy suodattaa työskentelyn tuottamat hiukkaset. Pitkäaikainen altistuminen voimakkaalle melulle voi vahingoittaa kuuloa.
 10. **Sivullisten tulee pysyä turvallisen etäisyyden päässä työskentelyalueesta.** Kaikkien työskentelyalueelle tulevien on käytettävä suojavarusteita. Työkappaleen tai rikkoutuneen laikan sirpaleet voivat sinkoutua ja aiheuttaa onnettomuuden muuallakin kuin käyttökohteen välittömässä läheisyydessä.
 11. **Pidä sähkötyökalua vain sen eristetyistä tartuntapinnoista, kun on mahdollista, että sen terä osuu piilossa oleviin johtoihin.** Jos leikkausläläläite joutuu kosketukseen jännitteisen johdon kanssa, jännite voi siirtyä työkalun sähköä johtaviin metalliosiin ja aiheuttaa käyttäjälle sähköiskun.
 12. **Aseta johto varmaan paikkaan pyörivästä lisävarusteesta.** Jos menetät työkalun hallinnan, johto voi leikkautua tai juuttua kiinni ja aiheuttaa kätesi tai käsivartesi joutumisen pyörivään laikkaan.
 13. **Älä koskaan laita tehokonetta alas, ennen kuin lisävaruste on täysin pysähtynyt.** Pyörivä laikka voi tarttua alla olevaan pintaan ja vetää työkalun pois hallinnastasi.
 14. **Älä käytä laitetta, kun kannat sitä sivullasi.** Vahingossa aiheutuva kosketus pyörivään lisävarusteeseen voi repiä vaatteesi, vetäen lisävarusteen kehoosi.
 15. **Puhdista työkalun ilma-aukot säännöllisesti.** Moottorin tuuletin imee pölyä koteloon, ja metallijauheen kerääntyminen laitteeseen voi aiheuttaa sähköiskuvaaran.
 16. **Älä käytä tehokonetta tulenarkojen materiaalien lähellä.** Kipinät voivat sytyttää nämä materiaalit.
- Takapotku ja siihen liittyvät varoitukset**
 Takapotku on kiinni juuttuneen laikan aiheuttama äkillinen sysäys. Kiinni juuttuminen tai takertelu aiheuttaa pyörivän laikan äkkinäisen pysähtymisen, mikä puolestaan aiheuttaa työkalun hallitsemattoman työntymisen pyörimisliikkeen vastakkaiseen suuntaan. Jos laikka esimerkiksi juuttuu työkappaleeseen, juuttumiskohtaan puretumassa oleva laikka voi tunkeutua kappaleen pintaan, jolloin se kiipeeä ylös tai potkaisee taaksepäin. Laikka voi ponnahtaa joko käyttäjää kohti tai käyttäjistä poisriippuen laikan pyörimissuunnasta juuttumishetkellä. Hiomalaikat voivat myös rikkoutua näissä tilanteissa.
- Takapotku johtuu tehokoneen virheellisestä käytöstä ja/tai käyttötavasta tai olosuhteista. Takapotku voidaan välttää seuraavien varotoimien avulla.
1. **Pitele tehokoneesta tukevasti kiinni ja asetu sellaiseen asentoon, että voit vastustaa takapotkun voimaa.** Käytä aina apukahvaa, jos annettu mukana, takapotkujen tai vääntömomentin maksimi hallinnon vuoksi käynnistyksen aikana. Käyttäjä voi hallita vääntömomentin reaktioita tai takapotkun voimaa noudattamalla sopivia varotoimenpiteitä.
 2. **Älä koskaan vie kättäsi pyörivän lisävarusteen lähelle.** Lisävaruste saattaa aiheuttaa takapotkun käsiillesi.
 3. **Älä asetu pyörivän laikan kanssa samaan linjaan.** Takapotku heittää laitetta laikan pyörimissuuntaan nähden päinvastaiseen suuntaan.
 4. **Ole erityisen varovainen, kun työstät nurkkia, teräviä reunoja tms. Vältä laikan pommipommitusta ja jumittumista.** Kulmilla, terävillä reunoilla tai ponnahtamisella on taipumus repäistä pyörivää lisävarustetta ja aiheuttaa hallinnan menettämisen tai takapotkun.
 5. **Älä käytä laitteessa moottorisahan teräketjua, puunleikkuuterää, halkaisijaltaan yli 10 mm:n kokoista segmentoitua timanttilaikkaa tai hammastettua sahanterää.** Tällaiset terät aiheuttavat usein takapotkuja ja hallinnan menettämisen.
 6. **Älä anna laikan juuttua paikalleen ätkä paina laitetta liian voimakkaasti. Älä yritä tehdä liian syvää uraa.** Laikan liiallinen painaminen lisää kuormitusta ja laikan vääntymis- tai juuttumisriskiä, jolloin seurauksena voi olla takapotku tai laikan rikkoutuminen.
 7. **Kun laikka takertelee tai työ joudutaan jostakin syystä keskeyttämään, katkaise laitteesta virta ja pidä sitä paikoillaan liikkumatta, kunnes laikka on täysin pysähtynyt. Älä koskaan yritä irrottaa laikkaa urasta, kun laikka vielä pyörii, koska seurauksena voi olla takapotku.** Selvitä laikan takertelun syy ja poista juuttumisen aiheutumisen syy.

8. Älä käynnistä laitetta niin, että se on kiinni työkappaleessa. Anna laikan savuttaa täysin leikkuu-uraan. Jos työkalu käynnistetään niin, että se on kiinni työkappaleessa, laikka voi juuttua, työntyä taaksepäin tai ponnahtaa ylös.
9. Vähennä laikan takertelu- ja takapoltkuriskiä tukemalla paneelit ja ylisuuret työkappaleet huolellisesti. Suurikokoiset työkappaleet pyrkivät taipumaan omasta painostaan. Työkappale on tuettava laikan kummaltakin puolelta leikkuulinjan vierestä ja työkappaleen reunoilta.
10. Ole erityisen varovainen, kun teet aukkoja seinäin tai muihin umpinaisiin rakenteisiin. Laikka voi katkaista kaasu- tai vesiputken tai sähköjohdot ja osua takapotkun aiheuttaviin esteisiin.

Turvallisuutta koskevat lisävaroitukset:

1. Ennen kuin käytät segmentoituja timanttilaikkaa, varmista, ettei segmenttien välinen rako laikan kehällä ole yli 10 mm ja että laikan teräkulma on negatiivinen.
2. Älä koskaan yritä koskaan leikata työkalulla, joka on ylösalaisin viilapenkillä. Tämä voi johtaa vakaviin onnettomuuksiin, koska se on erittäin vaarallista.
3. Jotkin materiaalit sisältävät kemikaaleja, jotka voivat olla myrkyllisiä. Huolehdi siitä, että pölyn sisäänhengittäminen ja ihokosketus estetään. Noudata materiaalin toimittajan turvaohjeita.
4. Säilytä laikkoja valmistajan suositusten mukaisesti. Väärä säilytys voi vaurioittaa laikkoja.

SÄILYTÄ NÄMÄ OHJEET.

VAROITUS: ÄLÄ anna työkalun helppokäyttöisyyden (toistuvan käytön aikaansaama) johtaa sinua väärään turvallisuuden tunteeseen niin, että laiminlyöt työkalun turvaohjeiden noudattamisen. VÄÄRINKÄYTTÖ tai tässä käyttöohjeessa ilmoitettujen turvamääräysten laiminlyönti voi aiheuttaa vakavia henkilövahinkoja.

Akkupakettia koskevia tärkeitä turvaohjeita

1. Ennen akun käyttöönottoa tutustu kaikkiin laturissa (1), akussa (2) ja akkukäyttöisessä tuotteessa (3) oleviin varoitusteksteihin.
2. Älä pura akkua.
3. Jos akun toiminta-aika lyhenee merkittävästi, lopeta akun käyttö. Seurauksena voi olla ylikuumeneminen, palovammoja tai jopa räjähdys.
4. Jos akkuneustettää pääsee silmiin, huuhtelee puhtaalla vedellä ja hakeudu välittömästi lääkärin hoitoon. Akkuneuste voi aiheuttaa näön menetyksen.
5. Älä oikosulje akkua.
 - (1) Älä koske akun napoihin millään sähköä johtavalla materiaalilla.
 - (2) Vältä akun oikosulkemista äläkä säilytä akkua yhdessä muiden metalliesineiden, kuten naulojen, kolikoiden ja niin edelleen kanssa.

- (3) Älä aseta akkua alttiiksi vedelle tai sateelle.

Oikosulku voi aiheuttaa virtapiikin, ylikuumentumista, palovammoja tai laitteen rikkoontumisen.

6. Älä säilytä työkalua ja akkua paikassa, jossa lämpötila voi nousta 50 °C:een tai sitäkin korkeammaksi.
7. Älä hävitä akkua polttamalla, vaikka se olisi pahoin vaurioitunut tai täysin loppuun kulunut. Avotuli voi aiheuttaa akun räjähtämisen.
8. Varo kolhimasta tai pudottamasta akkua.
9. Älä käytä viallista akkua.
10. Sisältyviä litium-ioni-akkuja koskevat vaarallisten aineiden lainsäädännön vaatimukset. Esimerkiksi kolmansien osapuolten huolintaliikkeiden tulee kaupallisissa kuljetuksissa noudattaa pakkaamista ja merkintöjä koskevia erityisvaatimuksia. Lähetettävän tuotteen valmistelu edellyttää vaarallisten aineiden asiantuntijan neuvontaa. Huomioi myös mahdollisesti yksityiskohtaisemmat kansalliset määräykset. Akun avoimet liittimet tulee suojata teipillä tai suojuksella ja pakkaaminen tulee tehdä niin, ettei akku voi liikkua pakkauksessa.
11. Hävitä akku paikallisten määräysten mukaisesti.

SÄILYTÄ NÄMÄ OHJEET.

HUOMIO: Käytä vain alkuperäisiä Makita-akkuja. Muiden kuin aitojen Makita-akkujen, tai mahdollisesti muutettujen akkujen käyttö voi johtaa akun murtumiseen ja aiheuttaa tulipaloja, henkilö- ja omaisuusvahinkoja. Se mitätöi myös Makita-työkalun ja -laturin Makita-takuun.

Vihjeitä akun käyttöön pidentämiseksi

1. Lataa akku ennen kuin se purkautuu täysin. Lopeta aina työkalun käyttö ja lataa akku, jos huomaat työkalun tehon vähenevän.
2. Älä koskaan lataa uudestaan täysin ladattua akkua. Ylilataaminen lyhentää akun käyttöikää.
3. Lataa akku huoneen lämpötilassa välillä 10 °C - 40 °C. Anna kuuman akun jäähtyä ennen lataamista.

TOIMINTOJEN KUVAUS

⚠️HUOMIO: Varmista aina ennen säätöjä ja tarkastuksia, että työkalu on sammutettu ja akkupaketti irrotettu.

Akun asentaminen tai irrottaminen

⚠️HUOMIO: Sammuta työkalu aina ennen akun kiinnittämistä tai irrottamista.

⚠️HUOMIO: Pidä työkalusta ja akusta tiukasti kiinni, kun irrotat tai kiinnität akkua. Jos akkupaketti tai työkalu putoaa, ne voivat vaurioitua tai aiheuttaa tapaturman.

- **Kuva1:** 1. Punainen merkivalot 2. Painike 3. Akkupaketti

Irrota akku painamalla akun etupuolella olevaa painiketta ja vetämällä akku ulos työkalusta.

Akku liitetään sovittamalla akun kieleke rungon uraan ja työntämällä se sitten paikoilleen. Työnnä akku pohjaan asti niin, että kuulet sen napsahtavan paikoilleen. Jos painikkeen yläpuolella näkyy punainen ilmaisin, akku ei ole lukkiutunut täysin paikoilleen.

⚠️HUOMIO: Työnnä akku aina pohjaan asti, niin että punainen ilmaisin ei enää näy. Jos akku ei ole kunnolla paikallaan, se voi pudota työkalusta ja aiheuttaa vammoja joko sinulle tai sivullisille.

⚠️HUOMIO: Älä käytä voimaa akun asennuksessa. Jos akku ei lii'vu paikalleen helposti, se on väärässä asennossa.

Akun suojausjärjestelmä

Työkalu on varustettu akun suojausjärjestelmällä. Tämä järjestelmä pidentää akun käyttöikää katkaisemalla moottorin virran automaattisesti. Työkalu pysähtyy automaattisesti kesken käytön, jos työkalussa tai akussa ilmenee jokin seuraavista tilanteista:

Ylikuormitus:

Työkalua käytetään tavalla, joka saa sen kuluttamaan epätavallisen paljon virtaa.

Katkaise tässä tilanteessa työkalusta virta ja lopeta ylikuormitustilan aiheuttanut käyttö. Käynnistä sitten työkalu uudelleen kytkemällä siihen virta.

Jos työkalu ei käynnisty, akku on ylikuumentunut. Anna tässä tilanteessa akku jäähtyä, ennen kuin kytket työkaluun virran uudelleen.

Alhainen akun jännite:

Akun varaus on liian alhainen eikä riitä työkalun käyttämiseen. Jos kytket työkalun päälle, moottori alkaa toimia, mutta pysähtyy pian. Irrota tässä tilanteessa akku ja lataa se.

Akun jäljellä olevan varaustason ilmaisin

Vain akkupaketeille, joiden mallinumeron lopussa on "B"

- **Kuva2:** 1. Merkivalot 2. Tarkistuspainike

Painamalla tarkistuspainiketta saat näkyviin akun jäljellä olevan varauksen. Merkivalot palavat muutaman sekunnin ajan.

Merkivalot		Akussa jäljellä olevan varaus
Palaa	Pois päältä	
		75% - 100%
		50% - 75%
		25% - 50%
		0% - 25%

HUOMAA: Ilmoitettu varaustaso voi erota hieman todellisesta varaustasosta sen mukaan, millaisissa oloissa ja missä lämpötilassa laitetta käytetään.

Leikkaussyvyyden säätäminen

⚠️HUOMIO: Kiristä kiristysruuvi aina leikkaussyvyyden säätämisen jälkeen.

- **Kuva3:** 1. Kiristysruuvi 2. Syvyystulkki

Löysää syvyystulkissa olevaa kiristysruuvia ja siirrä pohjaa ylös tai alas. Kun olet säätänyt sahaussyvyyden sopivaksi, lukitse pohja kiristämällä kiristysruuvi.

Viistosahaus

- **Kuva4:** 1. Kiristysruuvi 2. Viistosahauksen asteikkolevy

Löysennä kiristysruuvia pohjan etuosassa olevassa viistosahauksen asteikkolevyssä. Aseta haluttu kulma (0° - 45°) kallistamalla ja kiristä kiristysruuvi lujasti.

Tähtäys

- **Kuva5:** 1. Sahauslinja

Kun haluat leikata suoraan, kohdista pohjan etuosan piste A leikkauslinjaan. Kun haluat tehdä 45° viistosahauksia, kohdista piste B leikkauslinjaan.

Kytkimen käyttäminen

⚠️HUOMIO: Tarkista aina ennen akkupaketin asettamista työkaluun, että liipaisinkytkin kytketty oikein ja palaa "OFF"-asentoon, kun se vapautetaan.

⚠️HUOMIO: Älä vedä liipaisinkytkimestä voimakkaasti, ellei samalla paina lukituksen vapautusvivusta. Kytkin voi rikkoutua.

- **Kuva6:** 1. Lukituksen vapautusvipu 2. Liipaisinkytkin

Laitteessa on lukituksen vapautusvipu, joka estää liipaisinkytkimen vahingossa painamisen. Käynnistä työkalu siirtämällä lukituksen vapautusvipua ja vetämällä liipaisinkytkimestä. Pysäytä työkalu vapauttamalla liipaisin.

KOKOONPANO

⚠️HUOMIO: Varmista aina ennen mitään työkalulle tehtäviä toimenpiteitä, että se on sammutettu ja akku irrotettu.

Timanttilaikan asennus ja poisto

⚠️HUOMIO: Käytä timanttilaikan asentamiseen tai irrottamiseen vain Makitan kiintoavainta.

⚠️HUOMIO: Kun asennat timanttilaikan, varmista, että olet kiristänyt pultin lujasti.

⚠️HUOMIO: Asenna timanttilaikka aina siten, että timanttilaikan pisteissä oleva nuoli osoittaa samaan suuntaan kuin timanttilaikan kotelossa oleva nuoli. Muuten laikka pyörii taaksepäin, mikä voi aiheuttaa henkilövahinkoja.

► **Kuva7:** 1. Akselilukko 2. Kuusioavain 3. Kiristä 4. Löysää

► **Kuva8:** 1. Kuusiopultti 2. Ulkolaippa 3. Timanttilaikka 4. Sisälaippa 5. Nuoli

Timanttilaikka irrotetaan painamalla karalukitusta täysin niin, ettei timanttilaikka pääse pyörimään, ja löysäämällä sitten kuusioruuvia kiertämällä kuusioavaimella vastapäivään. Poista sitten kuusiopultti, ulompi laippa ja timanttilaikka.

Timanttilaikka asennetaan päinvastaisessa järjestyksessä. Varmista timanttilaikan asennus aina siten, että timanttilaikan pisteissä oleva nuoli osoittaa samaan suuntaan kuin timanttilaikan kotelossa oleva nuoli. **MUISTA KIRISTÄÄ KUUSIOPULTTI KUNNOLLA.**

► **Kuva9:** 1. Kuusiopultti 2. Ulkolaippa 3. Timanttilaikka 4. Sisälaippa 5. Uloke (isompi puoli)

HUOMAA: Jos sisälaippa irtaantuu vahingossa, aseta se paikalleen siten, että sen ulkonema (paksumpi puoli) on sisäänpäin kuvassa esitetyllä tavalla.

Kuusioavaimen varastointi

► **Kuva10:** 1. Kuusioavain

Säilytä kuusioavainta kuvan osoittamassa paikassa, ettei se pääse katoamaan.

Vedentulon asentaminen

Löysää ruuvi A.

Työnnä säiliön pidike kokonaan moottorin kotelon yli niin, että vanteen lovi (säiliön pidikkeen osa) on sijoitettu aivan työkalun ruuvin pään alapuolelle kuvan mukaisesti.

Kiristä sitten ruuvi A.

► **Kuva11:** 1. Ruuvi A 2. Säiliön pidike 3. Moottorin kotelo 4. Vanteen lovi (säiliön pidikkeen osa) 5. Työkalun ruuvipää

Kiinnitä säiliö säiliön pidikkeeseen siten, että säiliön pidike on porrastuksen ja pisteiden välissä. Kytke letkun päässä oleva korkki säiliön suokappaleeseen. Kierrä säiliötä myötäpäivään. Kiristä sitten ruuvi B.

► **Kuva12:** 1. Säiliö 2. Letku 3. Ruuvi B

Vedentulo

⚠️HUOMIO: Kun täytät säiliötä vedellä, varo, ettei työkalu kastu.

Varmista, että vedentulohana on suljettu, kun lisäät säiliöön vettä. Avaa säiliön korkki ja täytä säiliö vedellä. Pistä korkki takaisin säiliöön.

► **Kuva13:** 1. Vedentulon säätöhana 2. Kiinni 3. Auki

► **Kuva14:** 1. Kupu 2. Auki

TYÖSKENTELY

⚠️HUOMIO: Tätä työkalua tulee käyttää vain vaakaasuorilla pinnoilla.

⚠️HUOMIO: Varmista työkappaleen luja pito tukevalla penkillä tai pöydällä toiminnan aikana.

⚠️HUOMIO: Älä kierrä tai pakota työkalua leikkauksen aikana, tai moottori saattaa ylikuormittua tai työkalu saattaa rikkoutua.

⚠️HUOMIO: Älä käytä työkalussa timanttilaikkaa siten, että se on ylä- tai sivuasennossa.

⚠️HUOMIO: Työkaluun kuuluva laikka on märkätyyppinen lasin ja laattojen leikkaamiseen tarkoitettu timanttilaikka. Varmista, että syötät vettä timanttilaikkaan toiminnan aikana.

⚠️HUOMIO: Jos timanttilaikan leikkuuteho alkaa heiketä, teroita laikan leikkausreunaa vanhaa, pois-heitettyä karheaa penkkihiomakoneen laikkaa tai betoniloikkaa käyttäen. Teroita painamalla kevyesti timanttilaikan ulkoreunaan.

► **Kuva15**

Ota työkalusta luja ote. Aseta pohjalevy työkappaleeseen niin, että leikattava kappale ei kosketa laikkaa. Kytke työkalu päälle ja odota, kunnes laikka saavuttaa täyden nopeuden.

Syötä vettä laikkaan säätämällä vedentulon säätöhanaan kevyt veden virtaus.

Liikuta työkalua eteenpäin työkappaleen pinnalla, pidä se tasaisena ja etene sujuvasti, kunnes leikkaus on valmis. Pidä leikkulinjan suorana ja etenemisnopeus tasaisena.

Leikkaamalla hitaasti saavutat hienon, puhtaan leikkauksen jäljen. (Kun leikkaat 5 mm paksua lasilevyä, leikkaa noin 250 mm/min. Kun leikkaat 10 mm paksua laattaa, leikkaa noin 300 mm/min.) Hidasta nopeutta samalla kun etenet leikkauksen loppukohtaa työkappaleen rikkoutumisen tai halkeamisen välttämiseksi.

HUOMAA: Jos akku on kylmä, työkalu ei ehkä toimi täydellä teholla. Silloin voit esimerkiksi käyttää työkalua kevyisiin tehtäviin, kunnes akku lämpenee huoneenlämpöiseksi. Sen jälkeen työkalua voidaan käyttää täydellä teholla.

HUOMAA: Varmista ennen käyttöä, että vedentulohana on suljettu.

KUNNOSSAPITO

⚠HUOMIO: Varmista aina ennen tarkastusta tai huoltoa, että työkalu on sammutettu ja akku irrotettu.

HUOMAUTUS: Älä koskaan käytä bensiiniä, ohenteita, alkoholia tai tms. aineita. Muutoin pinta voi halkeilla tai sen värit ja muoto voivat muuttua. Muutoin laitteeseen voi tulla värjäytyimiä, muodon vääristymiä tai halkeamia.

Tuotteen TURVALLISUUDEN ja LUOTETTAVUUDEN takaamiseksi korjaukset, muut huoltotyöt ja säädöt on teetettävä Makitan valtuutetussa huoltopisteessä Makitan varaosia käyttäen.

LISÄVARUSTEET

⚠HUOMIO: Seuraavia lisävarusteita tai laitteita suositellaan käytettäväksi tässä ohjeessa kuvatun Makita-työkalun kanssa. Muiden lisävarusteiden tai laitteiden käyttö voi aiheuttaa henkilövahinkoja. Käytä lisävarusteita ja -laitteita vain niiden käyttötarkoituksen mukaisesti.

Jos tarvitset apua tai yksityiskohtaisempia tietoja seuraavista lisävarusteista, ota yhteys paikalliseen Makitan huoltoon.

- Timanttilaikat
- Kuusioavain
- Aito Makitan akku ja laturi

HUOMAA: Jotkin luettelossa mainitut varusteet voivat sisältyä työkalun toimitukseen vakiovarusteina. Ne voivat vaihdella maittain.

SPECIFIKĀCIJAS

Modelis:	CC301D		
Dimanta slīpripas diametrs	85 mm		
Maks. slīpripas biezums	0,8 mm		
Maks. griešanas dziļums	0° slīpā leņķī	25,5 mm	
	45° slīpā leņķī	16,5 mm	
Nominālais ātrums	1 500 min ⁻¹		
Nominālais spriegums	Līdzstrāva 10,8 V		
Akumulatora kasetne	BL1015, BL1020B	BL1040B	
Kopējais garums	313 mm	331 mm	
Tīrsvars	1,8 kg	1,9 kg	

- Nepārtrauktās izpētes un izstrādes programmas dēļ šeit uzrādītās specifikācijas var tikt mainītas bez brīdinājuma.
- Specifikācijas un akumulatora kasetne var atšķirties dažādās valstīs.
- Svārs ar akumulatora kasetni saskaņā ar EPTA-Procedure 01/2003

Paredzētā lietošana

Darbarīks paredzēts iegriezumiem stikla un būvniecības materiālos, izmantojot dimanta slīpripu un ūdeni.

Trokšņa līmenis

Tipiskais A svērtais trokšņa līmenis noteikts saskaņā ar EN60745:

Skaņas spiediena līmeni (L_{pA}): 84 dB (A)

Skaņas jaudas līmeni (L_{WA}): 95 dB (A)

Mainīgums (K): 3 dB (A)

BRĪDINĀJUMS: Lietojiet ausu aizsargus.

Vibrācija

Vibrācijas kopējā vērtība (trīsasu vektora summa) noteikta atbilstoši EN60745:

Darba režīms: betona griešana

Vibrācijas izmēri (a_h): 2,5 m/s² vai mazāk

Mainīgums (K): 1,5 m/s²

PIEZĪME: Paziņotā vibrācijas emisijas vērtība noteikta atbilstoši standarta pārbaudes metodei un to var izmantot, lai salīdzinātu vienu darbarīku ar citu.

PIEZĪME: Paziņoto vibrācijas emisijas vērtību arī var izmantot iedarbības sākotnējā novērtējumā.

BRĪDINĀJUMS: Reāli lietojot elektrisko darbarīku, vibrācijas emisija var atšķirties no paziņotās emisijas vērtības atkarībā no darbarīka izmantošanas veida.

BRĪDINĀJUMS: Lai aizsargātu lietotāju, nosakiet drošības pasākumus, kas pamatoti ar iedarbību reālos darba apstākļos (ņemot vērā visus ekspluatācijas cikla posmus, piemēram, laiku, kamēr darbarīks ir izslēgts un kad darbojas tukšgaitā, kā arī palaides laiku).

EK atbilstības deklarācija

Tikai Eiropas valstīm

EK atbilstības deklarācija šajā lietošanas rokasgrāmatā ir iekļauta kā A pielikums.

DROŠĪBAS BRĪDINĀJUMI

Vispārīgi elektrisko darbarīku drošības brīdinājumi

BRĪDINĀJUMS: Izlasiet visus drošības brīdinājumus un visus norādījumus. Brīdinājumu un norādījumu neievērošanas gadījumā var rasties elektriskās strāvas trieciens, ugunsgrēks un/vai nopietnas traumas.

Glabājiet visus brīdinājumus un norādījumus, lai varētu tajos ieskatīties turpmāk.

Termins „elektrisks darbarīks” brīdinājumos attiecas uz tādu elektrisko darbarīku, ko darbina ar elektrību (ar vadu), vai tādu, ko darbina ar akumulatoru (bez vada).

Drošības brīdinājumi bezvada frēzes lietošanai

1. Komplektā esošajam aizsargam jābūt cieši piestiprinātam pie mehānizētā darbarīka un novietotam tā, lai maksimāli gādātu par drošību un operatora virzienā būtu atsegta mazākā ripas daļa. Izvēlieties tādu stāvokli, lai jūs un blakus stāvošie neatrastos rotējošās ripas plaknē. Aizsargs palīdz aizsargāt operatoru no salūzušās slīpripas daļām un nejaušas saskares ar slīpripu.

2. **Mehanizētajam darbarīkam izmantojiet tikai dimanta griešanas ripu.** Tas vien, ka piederumu var piestiprināt mehanizētajam darbarīkam, negarantē drošu ekspluatāciju.
3. **Piederuma nominālajam ātrumam jābūt vismaz identiskam ar maksimālo ātrumam, kas atzīmēts uz mehanizētā darbarīka.** Piederumi, kas griežas ātrāk par nominālo ātrumu, var salūzt un tikt izsviesti.
4. **Slīpripas jāizmanto tikai ieteicamajiem lietojumiem. Piemēram: neslīpējiet ar griešanas ripas malu.** Abrāzīvas griešanas ripas paredzētas perifērai slīpēšanai, tāpēc, ja uz šīm ripām iedarbojas sānu spēks, tās var salūzt.
5. **Vienmēr izmantojiet nebojātus, izvēlētajai slīpīpai atbilstoša diametra ripas atlokus.** Atbilstoši slīpripas atloki balsta slīpripu, tādējādi samazinot tās salūšanas iespēju.
6. **Piederuma ārējam diametram un biežumam jābūt mehanizētā darbarīka jaudas robežās.** Nepareiza izmēra piederumus nav iespējams pietiekami uzmanīt vai vadīt.
7. **Ripu un atloku vārpstas lielumam precīzi jāatbilst mehanizētā darbarīka vārpstas izmēram.** Ripas un atloki ar vārpstas atverēm, kas neatbilst mehanizētā darbarīka stiprinājuma aprīkojumam, zaudēs centrējumu, pārmērīgi vibrēs un var izraisīt vadības zaudēšanu.
8. **Neizmantojiet bojātas slīpripas. Pirms katras izmantošanas reizes pārbaudiet, vai slīpīpai nav robei vai plaisas. Ja mehanizētais darbarīks vai slīpripa nokrīt, pārbaudiet, vai nav radušies bojājumi, vai arī uzstādiēt nebojātu piederumu. Pēc slīpripas pārbaudes un uzstādīšanas izvēlieties tādu novietojumu sev un apkārtējiem, kas neatrastos slīpripas rotācijas plaknē, tad vienu minūti darbiniet mehanizēto darbarīku ar maksimālo bezslodzes darbības ātrumu. Bojāti piederumi šādas pārbaudes laikā parasti izjūk.**
9. **Izmantojiet individuālos aizsarglīdzekļus. Atkarībā no veicamā darba valkājiet sejas aizsargu, aizsargbrilles vai brilles. Ja vajadzīgs, valkājiet putekļu masku, ausu aizsargus, cimdus un darba priekšautu, kas aiztur mazas abrazīvās vai materiāla daļas.** Acu aizsardzības aprīkojumam jāaiztur lidojoši gruži, kas rodas dažādu darbu veikšanas laikā. Putekļu maskai vai respiratoram jāaiztur darba laikā radušās daļiņas. Ilgstoši pakļaujot sevi ļoti intensīvam troksnim, var rasties dzirdes zudums.
10. **Gādājiet, lai apkārtējie atrastos drošā attālumā no darba vietas. Ikvienam, kas atrodas darba vietā, jāizmanto individuālie aizsarglīdzekļi.** Apstrādājamā materiāla vai salūzušas slīpripas fragmenti var tikt izsviesti un radīt traumas arī tiem, kas neatrodas tiešā darba vietā.
11. **Veicot darbu, mehanizēto darbarīku drīkst turēt tikai aiz izolētajām satveršanas virsmām, ja strādā vietā, kur griezējinstrumentus varētu saskarties ar aplēptu elektroinstalāciju.** Griezējinstrumentam saskaroties ar kabeli zem sprieguma, mehanizētā darbarīka metāla daļas var vadīt spriegumu un radīt operatoram elektrotraumu.
12. **Novietojiet kabeli tā, lai tas nepieskartos rotējošajam piederumam.** Zaudējot vadību, kabelis var tikt sagriezts vai aizķerts un jūsu delna vai roka var tikt ierauta rotējošajā slīpīpā.
13. **Nekādā gadījumā nenolieciet mehanizēto darbarīku, pirms tas nav pilnībā apstājies.** Rotējoša slīpripa var aizķert virsmu un pavilkt mehanizēto darbarīku, neļaujot jums to noturēt.
14. **Nedarbiniet mehanizēto darbarīku, to pārnēsājot.** Ja apgērbis nejausi pieskaras rotējošajam piederumam, tas var tikt satverts, iespējot piederumu miesā.
15. **Regulāri tīriet mehanizētā darbarīka ventilācijas atveres.** Motora ventilators ievelk putekļus korpusā un pārmērīga sīku metāla daļiņu uzkrāšanās var izraisīt elektrosīstēmas bojājumus.
16. **Mehanizēto darbarīku nedrīkst darbināt ugunsdrošos materiālu tuvumā.** Dzirksteles var aizdedzināt šos materiālus.

Atsitiens un ar to saistīti brīdinājumi

Atsitiens ir pēkšņa reakcija uz iesprūdušu vai aizķērušo rotējošo slīpripu. Iesprūšana vai aizķeršanās izraisa pēkšņu rotējošās slīpripas apstāšanos, kas saskares brīdī savukārt izraisa nevadāmu mehanizētā darbarīka grūdienu pretēji slīpripas rotācijas virzienam. Piemēram, ja abrazīvā slīpripa aizķeras vai iesprūst apstrādājamā materiālā, slīpripas mala, kas nokļūst iesprūšanas punktā, var iespieties materiāla virsmā, liekot slīpīpai izvīrēties vai atlēkt. Slīpripa saskares brīdī var izlēkt operatora virzienā vai prom no viņa atkarībā no slīpripas kustības virziena. Šādos gadījumos abrazīvās slīpripas var arī salūzt. Atsitiens rodas darbarīka nepareizas lietošanas un/vai nepareizas darbības vai apstākļu rezultātā, un no tā var izvairīties, veicot piemērotus drošības pasākumus, kā norādīts tālāk.

1. **Saglabājiet ciešu darbarīka tvērienu un novietojiet ķermeni un rokas tā, lai pretotos atsitienu spēkam.** Lai maksimāli kontrolētu atsitienu (iedarbināšanas laikā) vai griezes momentu, vienmēr lietojiet palīgrokturi, ja tāds ir. Operators var savaldīt griezes momenta reakciju vai atsitienu spēku, ja veic atbilstošus piesardzības pasākumus.
2. **Nekad novietojiet roku rotējošā piederuma tuvumā.** Piederums var radīt atsitienu, trāpot rokai.
3. **Neostājieties vienā līnijā ar rotējošo slīpripu.** Atsitiens saskares brīdī pārvieto darbarīku slīpripas kustībai pretējā virzienā.
4. **Īpaši uzmanieties, apstrādājot stūrus, asas malas u. c. Neļaujiet piederumam atlēkt un aizķerties.** Stūri, asas malas vai atļieciņi mēdz saķert rotējošo piederumu un izraisīt kontroles zaudēšanu pār darbarīku vai atsitienu.
5. **Nepiestipriniet zāga ķēdi, kokgriešanas asmeni, segmentētu dimanta ripu ar aploces rievu, kas lielāka par 10 mm, vai zobaino zāga asmeni.** Šādi asmeņi izraisa biežus atsitienu un kontroles zaudēšanu.
6. **Neļaujiet slīpīpai iesprūst; neizmantojiet pārmērīgu spiedienu. Negrieziet pārāk dziļi.** Slīpripas pārslogošana palielina slodzi, ripas savēršanās vai iekēršanas griezumā un atsitienu, kā arī slīpripas salūšanas iespējamību.
7. **Ja slīpripa aizķeras vai kāda iemesla dēļ tiek pārtraukta griešana, izslēdziet mehanizēto darbarīku un turiet to nekustīgi, līdz slīpripa pilnībā apstājas. Nekad nemēģiniet izņemt slīpripu no griezumā, kamēr slīpripa vēl griežas, citādi var rasties atsitiens.** Pārbaudiet un veiciet attiecīgus pasākumus, lai novērstu slīpripas aizķeršanās cēloņus.

8. Neatsāciet griešanu, darbarīkam atrodoties apstrādājamā materiālā. Ļaujiet slīpripai sasniegt pilnu ātrumu un tad vēlreiz uzmanīgi ievietojiet to griezumā. Slīpripa var aizķerties, izvirzīties augšup vai atlēkt, ja mehānizēto darbarīku atkal iedarbina laikā, kamēr tas atrodas apstrādājamajā virsmā.
9. Atbalstiet paneļus un visus lielos apstrādājamās materiālus, lai samazinātu slīpripas iesprūšanas un atsitienu bīstamību. Lielī apstrādājamiem materiāliem bieži vien ieliecās sava svāra dēļ. Balsti jānovieto abās slīpripas pusēs zem apstrādājamās virsmas, griezumā līnijās tuvumā un tuvu apstrādājamās virsmas malai.
10. Esiet īpaši uzmanīgs, veicot „nišas griezumus” jau esošajās sienās vai citās aizsegtās vietās. Caururbošā slīpripa var pārgriezt gāzes vai ūdens caurules, elektrības vadus vai priekšmetus, kas var izraisīt atsitienu.
5. Neradiet īssavienojumu akumulatora kasetnē:
 - (1) Nepieskarieties spaiļēm ar elektrību vadošiem materiāliem.
 - (2) Neuzglabājiēt akumulatoru kasetni kopā ar citiem metāla priekšmetiem, tādiem kā naglas, monētas u. c.
 - (3) Nepakļaujiēt akumulatora kasetni ūdens vai lietus iedarbībai.

Papildu drošības brīdinājumi:

1. Pirms segmentētas dimanta ripas izmantošanas pārbaudiet, vai dimanta ripas aploces rievā starp segmentiem ir 10 mm vai mazāka, tikai ar negatīvu slīpuma leņķi.
2. Nekādā gadījumā negrieziet, ja darbarīks skrūvspīlēs ir apgriezts otrādi. Tādējādi var izraisīt smagus negadījumus, jo šāda rīcība ir ļoti bīstama.
3. Daži materiāli satur ķīmiskas vielas, kuras var būt toksiskas. Izvairieties no putekļu ieelpošanas un to nokļūšanas uz ādas. Ievērojiet materiāla piegādātāja drošības datus.
4. Uzglabājiēt slīpripas saskaņā ar ražotāja ieteikumiem. Nepareizi uzglabājiēt, slīpripas var sabojāt.

SAGLABĀJIET ŠOS NORĀDĪJUMUS.

▲BRĪDINĀJUMS: NEPIEĻAUJIET to, ka labu iemaņu vai izstrādājuma labas pārzināšanas (darbarīku atkārtoti ekspluatējiēt) rezultātā vairs stingri neievērojiēt šī izstrādājuma drošības noteikumus. NEPAREIZI LIETOJOT darbarīku vai neievērojiēt šajā instrukcijā rokasgrāmatā minētos drošības noteikumus, var tikt gūtas smagas traumas.

Svarīgi drošības norādījumi par akumulatora kasetni

1. Pirms akumulatora lietošanas izlasiet visus norādījumus un brīdinājumus, kuri attiecas uz (1) akumulatora lādētāju, (2) akumulatoru un (3) ierīci, kurā tiek izmantots akumulators.
2. Neizjauciēt akumulatoru.
3. Ja akumulatora darbības laiks kļuva ievērojami īsāks, nekavējiēties pārtrauciēt to izmantot. Citādi, tas var izraisīt pārkarsējumu, uzliesmojumu vai pat sprādzienu.
4. Ja elektrolīts nonāk acīs, izskalojiēt tās ar tīru ūdens un nekavējiēties grieziēties pie ārsta. Tas var izraisīt redzes zaudēšanu.

6. Neglabājiēt darbarīku un akumulatora kasetni vietās, kur temperatūra var sasniegt vai pārsniegt 50 °C (122 °F).
7. Nededziēniēt akumulatora kasetni, pat ja tā ir stipri bojāta vai pilnībā nolietota. Akumulatora kasetne ugunī var eksplodēt.
8. Uzmaniēties, lai neļautu akumulatoram nokrist un nepakļautu to sitiēnam.
9. Neizmantojiēt bojātu akumulatoru.
10. Uz izmantotājiēm litija jonu akumulatoriem attiecas likumdošanas prasības par bīstamiem izstrādājumiem.

Komerčiālā transportēšanā, ko veic, piemēram, trešās puses, transporta uzņēmumi, jāievēro uz iesaiņojuma un marķējuma norādītās īpašās prasības.

Lai izstrādājumu sagatavotu nosūtīšanai, jāsaiziēnās ar bīstamo materiālu speciālistu. Ievērojiēt arī citus attiecināmos valsts normatīvus.

Vajējiēs kontaktus nosedziējat ar līmlenti vai citādi pārklājiētiēt, bet akumulatoru iesaiņojiētiēt tā, lai saiēnī tas nevarētu izkustētiēties.
11. Ievērojiēt vietējos noteikumus par akumulatora likvidēšanu.

SAGLABĀJIET ŠOS NORĀDĪJUMUS.

▲UZMANĪBU: Lietojiētiēt tikai oriēģinālos Makita akumulatorus. Ja lietojiēt neoriēģinālus Makita akumulatorus vai pārveidotos akumulatorus, tie var uzsprāgt un izraisīt aizdedēšanas, traumas un materiālos zaudējumus. Tīks anulēta arī Makita darbarīka un lādētāja garantiēja.

Ieteikumi akumulatora kalpošanas laika pagarināšanai

1. Uz lādējiētiēt akumulatora kasetni, pirms tā ir pilnībā izlādējiējusies. Viēnmēr, kad ievērojiēt, ka darbarīka darba jauda zudusi, apturiēt darbarīku un uz lādējiētiēt akumulatora kasetni.
2. Nekad neuz lādējiētiēt pilnībā uz lādētiēt akumulatora kasetni. Pārmēriēga uz lādē saisiēna akumulatora kalpošanas laiku.
3. Uz lādējiētiēt akumulatora kasetni istabas temperatūrā 10 °C - 40 °C. Karstai akumulatora kasetnei pirms uz lādēsiē jaujiētiēt atdzist.

FUNKCIJU APRAKSTS

⚠UZMANĪBU: Pirms darbarīka regulēšanas vai tā darbības pārbaudes vienmēr pārliedzinieties, ka darbarīks ir izslēgts un akumulatora kasetne ir izņemta.

Akumulatora kasetnes uzstādīšana un izņemšana

⚠UZMANĪBU: Vienmēr pirms akumulatora kasetnes uzstādīšanas vai noņemšanas izslēdziet darbarīku.

⚠UZMANĪBU: Uzstādot vai izņemot akumulatora kasetni, darbarīku un akumulatora kasetni turiet cieši. Ja darbarīku un akumulatora kasetni netur cieši, tie var izkrist no rokām un radīt bojājumus darbarīkam un akumulatora kasetnei, kā arī izraisīt ievainojumus.

- **Att.1:** 1. Sarkanās krāsas indikators 2. Poga
3. Akumulatora kasetne

Lai izņemtu akumulatora kasetni, izvelciet to no darbarīka, pārīdodot kasetnes priekšpusē esošo pogu.

Lai uzstādītu akumulatora kasetni, salāgojiet mēlīti uz akumulatora kasetnes ar rievu ietvarā un iebīdiēt to vietā. Ievietojiet to līdz galam, līdz tā ar klikšķi nofiksējas. Ja pogas augšējā daļā redzams sarkanās krāsas indikators, tas nozīmē, ka tā nav pilnīgi fiksēta.

⚠UZMANĪBU: Vienmēr ievietojiet akumulatora kasetni tā, lai sarkanais indikators nebūtu redzams. Pretējā gadījumā tā var nejauši izkrist no darbarīka un izraisīt jums vai apkārtējiem traumas.

⚠UZMANĪBU: Neievietojiet akumulatora kasetni ar spēku. Ja kasetne neslīd ietvarā viegli, tā nav pareizi ielikta.

Akumulatora aizsardzības sistēma

Darbarīks ir aprīkots ar akumulatora aizsardzības sistēmu. Šī sistēma automātiski izslēdz jaudas padevi motoram, lai pagarinātu akumulatora kalpošanas laiku. Darbarīks automātiski pārstās darboties ekspluatācijas laikā, ja darbarīku un/vai akumulatoru pakļaus kādam no tālāk minētajiem apstākļiem:

Pārslodze:

Darbarīku ekspluatācijas laikā lieto tādā veidā, ka tas saista pārmērīgu strāvu.

Šādā gadījumā izslēdziet darbarīku un pārtrauciet darbarīka pārslodzi izraisījušo darbu. Tad ieslēdziet darbarīku, lai atsāktu darbu.

Ja darbarīks neieslēdzas, akumulators ir pārkarsis. Šādā gadījumā ļaujiet akumulatoram atdzist pirms atkārtotas darbarīka ieslēgšanas.

Zema akumulatora jauda:

Akumulatora uzlādes līmenis ir pārāk zems, un darbarīks nedarbosies. Ja ieslēgsit darbarīku, motors vēlreiz sāks darboties, taču drīz apstāsies. Šādā gadījumā noņemiet akumulatoru un uzlādējiet.

Atlikušās akumulatora jaudas indikators

Tikai akumulatoru kasetnēm, kuru modeļa numura beigās ir burts „B”

► **Att.2:** 1. Indikatoru lampas 2. Pārbaudes poga
Nospiediet akumulatora kasetnes pārbaudes pogu, lai pārbaudītu akumulatora atlikušo uzlādes līmeni. Indikatori iedegsies uz dažām sekundēm.

Indikatoru lampas		Atlikusī jauda
Iededzies	Izslēgts	
		No 75% līdz 100%
		No 50% līdz 75%
		No 25% līdz 50%
		No 0% līdz 25%

PIEZĪME: Reālā jauda var nedaudz atšķirties no norādītās atkarībā no lietošanas apstākļiem un apkārtējās temperatūras.

Griezuma dziļuma regulēšana

⚠UZMANĪBU: Pēc griešanas dziļuma regulēšanas vienmēr cieši pievelciet spīļējuma skrūvi.

- **Att.3:** 1. Spīļējuma skrūve 2. Dziļuma vadotne

Dziļuma vadotnes spīļējuma skrūve jāatlaiz, tad pamatni var virzīt augšup vai lejup. Pamatni vēlāmajā griešanas dziļumā nostiprina, pievelkot spīļējuma skrūvi.

Slīpā zāģēšana

- **Att.4:** 1. Spīļējuma skrūve 2. Slīpļeņķa skalas plāksne

Atskrūvējiet slīpļeņķa skalas plāksnes spīļējuma skrūvi pamatnes priekšējā daļā. Iestāiet vēlamo leņķi (no 0° līdz 45°), attiecīgi sasverot, tad cieši pievelciet spīļējuma skrūvi.

Mērķēšana

- **Att.5:** 1. Griešanas līnija

Lai zāģētu taisni, salāgojiet A stāvokli uz pamatnes priekšējās daļas ar vajadzīgo zāģēšanas līniju. Lai zāģētu 45° slīpā leņķī, salāgojiet ar to B stāvokli.

Slēdža darbība

⚠UZMANĪBU: Pirms akumulatora kasetnes uzstādīšanas darbarīkā vienmēr pārbaudiet, vai slēdža mēlīte darbojas pareizi un pēc atļaišanas atgriežas stāvoklī „OFF” (Izslēgts).

⚠UZMANĪBU: Nevelciet slēdža mēlīti ar spēku, nenspiežot atbloķēšanas sviru. Citādi var sabojāt slēdzi.

► **Att.6:** 1. Atbloķēšanas svira 2. Slēdža mēlīte

Lai nepieļautu slēdža mēlītes nejaušu nospiešanu, darbarīks ir aprīkots ar atbloķēšanas sviru. Lai ieslēgtu darbarīku, pārbīdīet atbloķēšanas sviru un pavelciet slēdža mēlīti. Lai apturētu darbarīku, atlaidiet slēdža mēlīti.

MONTĀŽA

⚠UZMANĪBU: Pirms darbarīka regulēšanas vai apkopes vienmēr pārlicinieties, ka darbarīks ir izslēgts un akumulatora kasetne ir izņemta.

Dimanta ripas uzstādīšana vai noņemšana

⚠UZMANĪBU: Dimanta ripu uzstāda vai noņem tikai ar Makita uzgriežņu atslēgu.

⚠UZMANĪBU: Uzstādot dimanta ripu, pārbauda, vai skrūve ir cieši pievilkta.

⚠UZMANĪBU: Dimanta ripu vienmēr uzstāda tā, lai bultīņa uz tās būtu vērsta uz to pašu pusi, uz kuru vērsta dimanta ripas korpusa bultīņa. Citādi ripa griezīsies pretējā virzienā un var kādu traumēt.

► **Att.7:** 1. Vārpstas bloķētājs 2. Sešstūru uzgriežņat-slēga 3. Pievilkt 4. Atlaist

► **Att.8:** 1. Sešstūru galvas skrūve 2. Ārējais atloks 3. Dimanta ripa 4. Iekšējais atloks 5. Bultīņa

Lai noņemtu dimanta ripu, vārpstas bloķētāju līdz galam nospiež tā, lai dimanta ripa nevarētu griezties, un ar uzgriežņu atslēgu pretēji pulksteņrādītāju kustības virzienam atskrūvē sešstūru galvas skrūvi. Pēc tam izņem sešstūru galvas skrūvi, ārējo atloku un dimanta ripu.

Lai uzstādītu dimanta ripu, noņemšanas darbības izpilda pretējā secībā. Dimanta ripa vienmēr jāuzstāda tā, lai bultīņa uz tās būtu vērsta uz to pašu pusi, uz kuru vērsta dimanta ripas korpusa bultīņa.

SEŠSTŪRU GALVAS SKRŪVE JĀPIEVELK CIEŠI.

► **Att.9:** 1. Sešstūru galvas skrūve 2. Ārējais atloks 3. Dimanta ripa 4. Iekšējais atloks 5. Izvirzījums (lielākā daļa)

PIEZĪME: Ja iekšējais atloks tiek nejauši noņemts, uzstādiat iekšējo atloku tā, lai tā izvirzījums (lielākā daļa) būtu vērsts uz iekšpusi, kā redzams attēlā.

Sešstūru uzgriežņu atslēgas uzglabāšana

► **Att.10:** 1. Sešstūru uzgriežņu atslēga

Kad sešstūru uzgriežņu atslēga netiek lietota, uzglabājiet to, kā parādīts zīmējumā, lai nepazaudētu.

Ūdens pievada uzstādīšana

Atskrūvē skrūvi A.

Tvertnes turētāju pāri motora korpusam pārbīda tā, lai stīpas rieta (tvertnes turētāja daļa) atrastos tieši zem darbarīka skrūves galvas, kā parādīts attēlā.

Tad pievelk skrūvi A.

► **Att.11:** 1. Skrūve A 2. Tvertnes turētājs 3. Motora korpus 4. Stīpas rieta (tvertnes turētāja daļa) 5. Darbarīka skrūves galva

Tvertni pie tvertnes turētāja piestiprina tā, lai tvertnes turētājs atrastos starp izvirzījumu un punktiem. Caurules gala vāciņu pievieno tvertnes atverei. Tvertni griež pulksteņrādītāju kustības virzienā. Tad pievelk skrūvi B.

► **Att.12:** 1. Tvertne 2. Caurule 3. Skrūve B

Ūdens pievads

⚠UZMANĪBU: Uzpildot tvertni ar ūdeni, jāseko, lai ūdens nenokļūtu uz darbarīka.

Vispirms jāpārbauda, vai ūdens pievada krāns ir aizgriezts, tikai tad tvertni drīkst uzpildīt ar ūdeni. Atver tvertnes vāciņu un iepilda ūdeni. Vāciņu uzliek atpakaļ.

► **Att.13:** 1. Ūdens pievada krāns 2. Aizvērt 3. Atvērt

► **Att.14:** 1. Vāciņš 2. Atvērt

EKSPLUATĀCIJA

⚠UZMANĪBU: Šo darbarīku drīkst izmantot tikai uz horizontālām virsmām.

⚠UZMANĪBU: Strādājot apstrādājamais materiāls stingri jātur uz stabila sola vai galda.

⚠UZMANĪBU: Darbarīku griezumā nedrīkst kustināt un spiest, jo motoram var rasties pārslo-dze vai apstrādājamais materiāls var salūzt.

⚠UZMANĪBU: Ar darbarīku nedrīkst strādāt, ja dimanta ripu vērš augšup vai sāņus.

⚠UZMANĪBU: Darbarīka ripa ir mitrā tipa dimanta ripa, kas paredzēta stiklam un flīžu materiāliem. Dimanta ripai ekspluatācijas laikā jāpievada ūdens.

⚠UZMANĪBU: Ja dimanta ripa sāk sliktāk griezt, tās aso malu izlīdzina gar vecu un nolietotu raujpu slīpmašīnas ripu vai betona virsmu. Nedaudz uzspiež uz dimanta ripas ārējās malas un izlīdzina.

► **Att.15**

Darbarīks jātur cieši. Pamatnes plāksni uzstāda uz apstrādājamā materiāla, lai ripa tam nepieskartos. Tad ieslēdz darbarīku un nogaida, kamēr ripa sāk griezties ar pilnu ātrumu.

Ripai pievada ūdeni — ūdens pievada krānu pagriež tā, lai ūdens plūsma būtu neliela.

Darbarīku virza uz priekšu pāri apstrādājamā materiāla virsmai, turot vienmērīgi piespiestu, un uz priekšu, līdz griešana pabeigta. Griezuma līniju uztur taisnu un virzības ātrumu vienmērīgu.

Lai griezums būtu precīzāks un tīrāks, jāgriež lēni. (Griežot 5 mm biezu stikla plāksni, jāgriež ar ātrumu apm. 250 mm/min. Griežot 10 mm biezu stikla plāksni, jāgriež ar ātrumu apm. 300 mm/min.) Beidzot griešanu, darbarīka ātrumu samazina, lai griežamais materiāls nesarūvētu vai neieplaisātu.

PIEZĪME: Ja akumulatora kasetnes temperatūra ir zema, darbarīks var neizmantot pilnu akumulatora nominālo ietilpību. Kamēr akumulatora kasetne uzsilst līdz istabas temperatūrai, darbarīks jāizmanto nelielām griešanas darbībām. Tad darbarīks varēs izmantot pilnu akumulatora ietilpību.

PIEZĪME: Pirms darbošanās jāpārbauda, vai ūdens pievada krāns ir aizgriezts.

APKOPE

⚠ UZMANĪBU: Pirms darbarīka pārbaudes vai apkopes vienmēr pārlicinieties, ka darbarīks ir izslēgts un akumulatora kasetne ir izņemta.

IEVĒRĪBAI: Nekad neizmantojiet gāzoliņu, benzīnu, atšķaidītāju, spirtu vai līdzīgus šķidrumus. Tas var radīt izbalēšanu, deformāciju vai plaisas.

Lai saglabātu izstrādājuma DROŠU un UZTICAMU darbību, remontdarbus, apkopi un regulēšanu uzticiet veikt tikai Makita pilnvarotam vai rūpnīcas apkopes centram, un vienmēr izmantojiet tikai Makita rezerves daļas.

PAPILDU PIEDERUMI

⚠ UZMANĪBU: Šādi piederumi un papildierīces tiek ieteiktas lietošanai ar šajā rokasgrāmatā aprakstīto Makita darbarīku. Izmantojot citus piederumus vai papildierīces, var tikt radīta trauma gūšanas bīstamība. Piederumu vai papildierīci izmantojiet tikai paredzētajam mērķim.

Ja jums vajadzīga palīdzība vai precīzāka informācija par šiem piederumiem, vērsieties savā tuvākajā Makita apkopes centrā.

- Dimanta ripas
- Sešstūru uzgriežņu atslēga
- Makita oriģinālais akumulators un lādētājs

PIEZĪME: Daži sarakstā norādītie izstrādājumi var būt iekļauti instrumenta komplektācijā kā standarta piederumi. Tie dažādās valstīs var būt atšķirīgi.

SPECIFIKACIJOS

Modelis:		CC301D	
Deimantinio disko skersmuo		85 mm	
Didž. disko storis		0,8 mm	
Didž. pjovimo gylis	esant 0° posvyriui	25,5 mm	
	esant 45° posvyriui	16,5 mm	
Vardinis greitis		1 500 min ⁻¹	
Vardinė įtampa		Nuol. sr. 10,8 V	
Akumulatoriaus kasetė	BL1015, BL1020B	BL1040B	
Bendrasis ilgis	313 mm	331 mm	
Grynavis svoris	1,8 kg	1,9 kg	

- Atliekame tęstinius tyrimus ir nuolatos tobuliname savo gaminius, todėl čia pateikiamos specifikacijos gali būti keičiamos be įspėjimo.
- Įvairiose šalyse specifikacijos ir akumulatoriaus kasetė gali skirtis.
- Svoris su akumulatoriaus kasete pagal 2003-01 EPTA procedūrą

Numatytoji naudojimo paskirtis

Šis įrankis skirtas stiklui ir mūro medžiagoms pjauti, naudojant deimantinį diską ir vandenį.

Triukšmas

Įprastas triukšmo A lygis, nustatytas pagal EN60745:
 Garso slėgio lygis (L_{pA}): 84 dB (A)
 Garso galios lygis (L_{WA}): 95 dB (A)
 Paklaida (K): 3 dB (A)

⚠️ ĮSPĖJIMAS: Dėvėkite ausų apsaugą.

Vibracija

Vibracijos bendroji vertė (triacio vektorius suma) nustatyta pagal EN60745 standartą:
 Darbo režimas: betono pjovimas
 Vibracijos emisija (a_{hv}): 2,5 m/s² arba mažiau
 Paklaida (K): 1,5 m/s²

PASTABA: Paskelbtasis vibracijos emisijos dydis nustatytas pagal standartinį testavimo metodą ir jį galima naudoti vienam įrankiui palyginti su kitu.

PASTABA: Paskelbtasis vibracijos emisijos dydis taip pat gali būti naudojamas preliminariai įvertinti vibracijos poveikį.

⚠️ ĮSPĖJIMAS: Faktiškai naudojant elektrinį įrankį, keliamos vibracijos dydis gali skirtis nuo paskelbtojo dydžio, priklausomai nuo būdų, kuriais yra naudojamas šis įrankis.

⚠️ ĮSPĖJIMAS: Siekdami apsaugoti operatorių, būtina įvertinkite saugos priemones, remdamiesi vibracijos poveikio įvertinimu esant faktinėms naudojimo sąlygoms (atsižvelgdami į visas darbo ciklo dalis, pavyzdžiui, ne tik kiek laiko įrankis veikia, bet ir kiek kartų jis yra išjungiamas bei kai jis veikia be apkrovų).

EB atitikties deklaracija

Tik Europos šalims

ES atitikties deklaracija yra pridama kaip šio instrukcijų vadovo A priedas.

SAUGOS ĮSPĖJIMAI

Bendrieji įspėjimai dirbant elektriniais įrankiais

⚠️ ĮSPĖJIMAS: Perskaitykite visus saugos įspėjimus ir visą instrukciją. Nesilaikydami toliau pateiktų įspėjimų ir instrukcijų galite patirti elektros smūgį, gaisrą ir (arba) sunkų sužeidimą.

Išsaugokite visus įspėjimus ir instrukcijas, kad galėtumėte jas peržiūrėti ateityje.

Terminas „elektrinis įrankis“ pateiktuose įspėjimuose reiškia į maitinimo tinklą jungiamą (laidinį) elektrinį įrankį arba akumulatoriaus maitinamą (belaidį) elektrinį įrankį.

Saugos įspėjimai dėl belaidžio pjaustytuvo naudojimo

1. Norint užtikrinti maksimalią saugą, pateiktą apsauginį skydą privaloma tvirtai pritvirtinti prie elektrinio įrankio, kad būtų neuždengta minimali disko dalis. Operatorius ir pašaliniai asmenys turi būti atokiai nuo besisukančio disko plokštumos. Apsauga padeda apsaugoti operatorių nuo atskilusių disko dalių ir netyčinio sąlyčio su disku.

2. **Elektriniam įrankiui naudokite tik deimantinį pjovimo diską.** Vien tai, kad priedą galima sumontuoti ant elektrinio įrankio, nereiškia, kad jis užtikrina saugų darbą.
 3. **Nominalusis priedo greitis turi būti bent jau lygus maksimaliam greičiui, nurodytam ant elektrinio įrankio.** Priedai, kurie veikia greičiau už vardinį greitį, gali sulūžti ir atsiskirti.
 4. **Diskai turi būti naudojami tik pagal rekomenduojamą paskirtį. Pavyzdžiui, nešlifukite pjovimo disko šonu.** Šlifuojantys pjovimo diskai yra skirti periferiniam šlifavimui, todėl diskus veikiančios šoninės jėgos juos gali suskaldyti.
 5. **Visada naudokite tik nesugadintas diskų junges, kurių skersmuo tinkamas pasirinktam diskui.** Tinkamos diskų jungės prilaiko diską, mažindamos disko trūkinio tikimybę.
 6. **Priedo išorinis skersmuo ir storis turi atitikti elektrinio įrankio pajėgumo kategoriją.** Netinkamo dydžio priedų negalima tinkamai apsaugoti skydais ar valdyti.
 7. **Diskų ir jungių įspraudinių angų dydis turi tiksliai atitikti elektrinio įrankio ašių dydį.** Naudojami diskai ir jungės su įspraudinėmis angomis, kurių dydis neatitinka elektrinio prietaiso dalių, prie kurių jie montuojami, dydžio, išbalansuos įrankį, sukels pernelyg didelę vibraciją, todėl kyla pavojus prarasti įrankio valdymą.
 8. **Nenaudokite pažeistų diskų.** Kiekvieną kartą prieš pradėdami naudoti diskus, patikrinkite, ar juose nėra nuolaužų ir įtrūkimų. Jeigu elektrinis įrankis arba diskas buvo nustumas, patikrinkite, ar nėra pažeidimų arba naudokite nepažeistą diską. Patikrinę ir sumontavę diską, patys būkite ir aplinkiniams nurodykite būti toliau nuo besisukančio disko plokštumos ir paleiskite įrankį veikti didžiausiu nulinės apkrovos greičiu 1 minutę. Paprastai sugadinti diskai tokio patikrinimo metu suskyla.
 9. **Naudokite asmeninės apsaugos priemones.** Priklausomai nuo pritaikymo, naudokite apsauginį veido skydelį, tamsius arba apsauginius akinius. Kaip pridera, dėvėkite priešdulkinę puskaukę, klausos apsaugą, pirštines ir dirbtuves prijuostę, sulaukančią smulkių abrazyvus ar ruošinio skeveldras. Akių apsauga turi sulaikyti skriejančias nuolaužas, susidariusias įvairių operacijų metu. Apsaugos nuo dulkių kaukė arba respiratorius turi filtruoti darbo metu susidariusias dalelytes. Dėl intensyvaus ilgalaikio triukšmo galima prarasti klausą.
 10. **Laikykite stebinčiuosius toliau nuo darbo vietos.** Kiekvienas, užeinantis į darbo vietą, turi dėvėti asmeninę apsaugos aprangą. Ruošinio ar sulūžusio disko skeveldros gali nuskriti toliau ir sužeisti asmenis, esančius už darbinės zonos.
 11. **Atlikdami darbus, kurių metu pjovimo priedas galėtų užkliudyti nematomą laidą, laikykite elektrinį įrankį tik už izoliuotų paviršių.** Pjovimo priedui prisilietus prie laido, kuriuo teka elektros srovė, neizoliuotos metalinės elektrinio įrankio dalys gali sukelti elektros smūgį operatoriui.
 12. **Saugiai atitraukite laidą nuo greitai besisukančio priedo.** Jei netektumėte savitvardos, galite perkirsti ar užkliudyti laidą, o jūsų plaštaką arba ranką gali įtraukti greitai besisukantis diskas.
 13. **Niekada nepadėkite šio elektrinio įrankio, kol jo priedas nėra visiškai sustojęs.** Greitai besisukantis diskas gali užkabinti paviršių ir jūs galite nebesuvaldyti elektrinio įrankio.
 14. **Nešant įrankį prie savo šono, jis turi būti išjungtas.** Greitai besisukantis priedas gali atsitinkinti užkabinti jūsų drabužius ir jus sužaloti.
 15. **Reguliariai išvalykite elektrinio įrankio oro ventiliacijos angas.** Variklio ventiliatorius traukia dulkes į korpuso vidų ir dėl per didelį metalo dulkių sankaupą gali kilti su elektros įranga susijęs pavojus.
 16. **Nenaudokite elektrinio įrankio būdami netoliese degių medžiagų.** Nuo kibirkščių degiosios medžiagos gali užsidegti.
- Atatranka ir su ja susiję išpėjimai**
- Atatranka yra staigi reakcija į besisukančio disko sugnybimą arba užstrigimą. Suspaudimas arba sugriebimas sukelia staigų besisukančio disko sulaikymą, dėl kurio nevaldomas elektrinis įrankis sulaikymo taške verčiamas judėti priešinga disko sukimosi kryptimi. Pavyzdžiui, jeigu šlifavimo diską suspaudžia ruošinys, disko kraštas, kuris patenka į suspaudimo tašką, gali įsikirsti į medžiagos paviršių ir dėl to diskas atšoks. Diskas gali atšokti į operatorių arba nuo jo; tai priklauso nuo disko sukimosi krypties suspaudimo metu. Šlifavimo diskas tokiomis sąlygomis gali ir sulūžti. Atatranka yra piktnaudžiavimo elektriniu įrankiu ir (arba) netinkamų darbo procedūrų ar sąlygų rezultatas, jos galima išvengti vadovaujantis toliau nurodytomis atsargumo priemonėmis.
1. **Tvirtai laikykite elektrinį įrankį ir stovėkite taip, kad jūsų kūnas bei ranka netrukdytų priešintis atatranks jėgoms.** Visada naudokite papildomą rankeną, jei tokia yra, kad įjungimo metu galėtumėte maksimaliai valdyti atatranką ar sukamojo momento reakcijas. Operatorius gali valdyti sukamojo momento reakciją bei atatranks jėgą, jei imasi atitinkamų atsargumo priemonių.
 2. **Niekada nelaikykite rankos šalia besisukančio priedo.** Priedas gali atsitrenkti į jūsų ranką.
 3. **Nestovėkite vienoje eilėje su besisukančiu disku.** Atatranka pastums įrankį priešinga disko sukimosi kryptimi suspaudimo taške.
 4. **Ypač saugokitės apdirbdami kampus, aštirus kraštus ir pan. Stenkitės priedo nesutrenkti ir neužkliudyti.** Besisukantis priedas gali užsikabinti ar atsitrenkti į kampus, aštirus kraštus ir sukelti atatranką, o dėl to galima nebesuvaldyti įrankio.
 5. **Nenaudokite pjūtko grandinės, medžio raizymo disko, segmentuoto deimantinio disko, jeigu šoninis tarpelis yra didesnis nei 10 mm, arba dantyto pjovimo disko.** Tokie diskai dažnai sukelia atatranką ir įrankio suvaldymo problemų.
 6. **Nespauskite disko ir nenaudokite pernelyg didelio slėgio. Nemėginkite atlikti pernelyg gilių pjūvių.** Per stipriai spaudžiant, padidėja apkrova ir disko persikreipimo ar užstrigimo pjūvyje tikimybė bei atatranks ar disko lūžimo galimybė.
 7. **Kai diskas užstrigo arba kai pjovimas dėl kitų priežasčių nutraukiamas, išjunkite elektrinį įrankį ir nejudinkite jo, kol diskas visiškai nenustos sukstis.** Niekada nebandykite besisukančio disko traukti iš pjūvio, nes gali susidaryti atatranka. Išstirkite ir imkitės tinkamų veiksmų, kad pašalintumėte disko užstrigimo priežastį.

8. **Nepradėkite iš naujo pjauti, kai diskas ruošinyje.** Leiskite, kad diskas pasiektų visą greitį ir tik tada atsargiai įleiskite jį į pjūvį. Diskas gali įstrigti, iššokti arba atšokti, jeigu elektrinis įrankis bus iš naujo paleistas diskui esant ruošinyje.
9. **Plokštes ar kitus per didelio dydžio ruošinius paremkite ir taip sumažinkite pavojų, kad diskas bus suspaustas ir atšoks.** Dideli ruošiniai linksta dėl savo pačių svorio. Ruošinį reikia paremti iš abiejų disko pusių, šalia pjovimo linijos ir prie ruošinio krašto.
10. **Ypač būkite atsargūs įpjaudami sienas arba kitas aklas vietas.** Atsikišęs diskas gali prapjauti dujų ar vandens vamzdžius, elektros laidus arba objektus, kurie gali sukelti atitrūkumą.

Papildomi saugos įspėjimai:

1. **Prieš naudodami segmentuotą deimantinį diską, įsitikinkite, ar periferiniai tarpeliai tarp deimantinio disko segmentų yra 10 mm arba mažesni, tik neigiamo nuolydžio kampo.**
2. **Nemėginkite pjauti įrankiu, apvertę jį spaustuvoje.** Tai ypač pavojinga, todėl galima sunaikinti susižeisti.
3. **Kai kuriose medžiagose esama cheminių medžiagų, kurios gali būti nuodingos.** Saugokitės, kad neįkvėptumėte dulkių ir nesiliestumėte oda. Laikykitės medžiagų tiekėjo saugos duomenų.
4. **Saugokite diskus, atsižvelgdami į gamintojo rekomendacijas.** Netinkamai saugojant diskus, jie gali būti sugadinti.

SAUGOKITE ŠIAS INSTRUKCIJAS.

⚠️ ĮSPĖJIMAS: NELEISKITE, kad patogumas ir gaminio pažinimas (įgyjamas pakartotinai naudojant) susilpnintų griežtą saugos taisyklių, taikytinų šiam gaminiui, laikymąsi. Dėl **NETINKAMO NAUDOJIMO** arba saugos taisyklių, kurios pateiktos šioje instrukcijoje, nesilaikymo galima rimtai susižeisti.

Svarbios saugos instrukcijos, taikomos akumulatoriaus kasetei

1. **Prieš naudodami akumulatoriaus kasetę, perskaitykite visas instrukcijas ir perspėjimus ant (1) akumuliatorių įkroviklio, (2) akumuliatorių ir (3) akumuliatorių naudojančio gaminio.**
2. **Neardykite akumulatoriaus kasetės.**
3. **Jei įrankio darbo laikas žymiai sutrumpėjo, nedelsdami nutraukite darbą su įrankiu.** Tai gali kelti perkaitimo, nudegimų ar net sprogdimo pavojų.
4. **Jei elektrolitas pateko į akis, plaukite jas tyru vandeniu ir nedelsdami kreipkitės į gydytoją.** Gali kilti regėjimo praradimo pavojus.
5. **Neužtrumpinkite akumulatoriaus kasetės:**
 - (1) **Nelieskite kontaktų degiomis medžiagomis.**
 - (2) **Venkite laikyti akumulatoriaus kasetę kartu su kitais metaliniais daiktais, pavyzdžiui, vinimis, monetomis ir pan.**

- (3) **Saugokite akumulatoriaus kasetę nuo vandens ir lietaus.** Trumpasis jungimas akumulatoriuje gali sukelti stiprią srovę, perkaitimą, galimus nudegimus ar net akumulatoriaus gedimą.
6. **Nelaikykite įrankio ir akumulatoriaus kasetės vietoje, kur temperatūra gali pasiekti ar viršyti 50 °C.**
7. **Nedeginkite akumulatoriaus kasetės, net jei yra stipriai pažeista ar visiškai susidėvėjusi.** Ugnyje akumulatoriaus kasetę gali sprogti.
8. **Saugokite akumuliatorių nuo kritimo ir smūgių.**
9. **Nenaudokite pažeisto akumulatoriaus.**
10. **Įdėtos ličio jonų akumuliatoriams taikomi Pavojingų prekių teisės akto reikalavimai.** Komercinis transportas, pvz., trečiųjų šalių, prekių vežimo atstovų, turi laikytis specialaus reikalavimo ant pakuočių ir ženklavimo. Norėdami paruošti siųstiną prekę, pasitarkite su pavojingų medžiagų specialistu. Be to, laikykitės galimai išsamesnių nacionalinių reglamentų. Užklijuokite juosta arba padenkite atvirus kontaktus ir supakuokite akumuliatorių taip, kad jį pakuočiai nejudėtų.
11. **Vadovaukitės vietos įstatymais dėl akumuliatorių išmetimo.**

SAUGOKITE ŠIAS INSTRUKCIJAS.

⚠️ PERSPĖJIMAS: Naudokite tik originalų „Makita“ akumuliatorių. Neoriginalaus „Makita“ arba pakeisto akumulatoriaus naudojimas gali nulemti gaisrą, asmens sužalojimą ir pažeidimą. Tai taip pat panaikina „Makita“ suteikiamą „Makita“ įrankio ir įkroviklio garantiją.

Patarimai, ką daryti, kad akumulatoriaus veiktų kuo ilgiau

1. **Pakraukite akumulatoriaus kasetę prieš jai visiškai išsikraunant.** Visuomet nustokite naudoti įrankį ir pakraukite akumulatoriaus kasetę, kai pastebite, kad įrankio galia sumažėjo.
2. **Niekada nekraukite iki galo įkrautos akumulatoriaus kasetės.** Perkraunant trumpėja akumulatoriaus eksploatacijos laikas.
3. **Akumulatoriaus kasetę kraukite esant kambario temperatūrai 10 - 40 °C.** Prieš pradėdami krauti, leiskite įkautusiai akumulatoriaus kasetei atvėsti.

VEIKIMO APRAŠYMAS

⚠️ PERSPĖJIMAS: Prieš pradėdami reguliuoti arba tikrinti įrankio veikimą, visuomet būtinai išjunkite įrankį ir išimkite akumuliatoriaus kasetę.

Akumuliatoriaus kasetės uždėjimas ir nuėmimas

⚠️ PERSPĖJIMAS: Prieš įdėdami arba išimdami akumuliatoriaus kasetę, visada išjunkite įrankį.

⚠️ PERSPĖJIMAS: Įdėdami arba išimdami akumuliatoriaus kasetę, tvirtai laikykite įrankį ir akumuliatoriaus kasetę. Jeigu įrankį ir akumuliatoriaus kasetę laikysite netvirtai, jie gali išslysti iš jūsų rankų, todėl įrankis ir akumuliatoriaus kasetė gali būti sugadinti, o naudotojas sužalotas.

► **Pav.1:** 1. Raudonas indikatorius 2. Mygtukas 3. Akumuliatoriaus kasetė

Jei norite išimti akumuliatoriaus kasetę, ištraukite ją iš įrankio, stumdami mygtuką, esantį kasetės priekyje.

Jei norite įdėti akumuliatoriaus kasetę, sulygiuokite liežuvėlį ant akumuliatoriaus kasetės su grioveliu korpuso ir įstumkite į jai skirtą vietą. Įdėkite iki galo, kol spragtelėdama užsikisuos. Jeigu matote raudoną indikatorių viršutinėje mygtuko pusėje, ji nėra visiškai užfiksuota.

⚠️ PERSPĖJIMAS: Akumuliatoriaus kasetę visada įkiškite iki galo, kol nebematysite raudono indikatoriaus. Priešingu atveju ji gali atsitinklinai iškristi iš įrankio, sužeisti jus arba aplinkinius.

⚠️ PERSPĖJIMAS: Nekiškite akumuliatoriaus kasetės jėga. Jeigu kasetė sunkiai lenda, ją kiškite netinkamai.

Akumuliatoriaus apsaugos sistema

Įrankyje įrengta akumuliatoriaus apsaugos sistema. Ši sistema automatiškai atjungia variklio maitinimą, kad pailgėtų akumuliatoriaus naudojimo laikas. Įrankis automatiškai išsijungs darbo metu, esant vienai iš šių įrankio ir (arba) akumuliatoriaus darbo sąlygų:

Perkrautas:

įrankis naudojamas taip, kad jame neįprastai padidėja elektros srovė.

Tokiu atveju atleiskite įrankio gaiduką ir nutraukite darbą, dėl kurio kilo įrankio perkrova. Po to vėl įjunkite įrankį.

Jeigu įrankis neįsijungia, reiškia perkaito akumuliatorius. Tokiu atveju palaukite, kol akumuliatorius atvės, paskui vėl galite įjungti įrankį.

Žema akumuliatoriaus įtampa:

Likęs akumuliatoriaus įkrovos lygis per žemas, todėl įrankis neveiks. Įjungus įrankį, variklis pradeda veikti, bet netrukus vėl išsijungia. Tokiu atveju išimkite akumuliatorių ir jį įkraukite.

Likusios akumuliatoriaus galios rodymas

Taikoma tik akumuliatorių kasetėms, kurių modelio numerio gale yra „B“

► **Pav.2:** 1. Indikatorių lemputės 2. Tikrinimo mygtukas

Paspauskite akumuliatoriaus kasetės tikrinimo mygtuką, kad būtų rodoma likusi akumuliatoriaus energija. Maždaug trims sekundėms užsidegs indikatorių lemputės.

Indikatorių lemputės		Likusi galia
Šviečia	Nešviečia	
■ ■ ■ ■		75% - 100%
■ ■ ■ □		50% - 75%
■ ■ □ □		25% - 50%
■ □ □ □		0% - 25%

PASTABA: Rodmuo gali šiek tiek skirtis nuo faktinės energijos lygio – tai priklausys nuo naudojimo sąlygų ir aplinkos temperatūros.

Pjovimo gylio reguliavimas

⚠️ PERSPĖJIMAS: Nustatę pjovimo gylį, visada saugiai užtvirtinkite suveržimo varžtą.

► **Pav.3:** 1. Suveržimo varžtas 2. Gylio kreiptuvas

Atlaisvinkite ant gylio kreiptuvo esantį suveržimo varžtą ir slinkite pagrindą aukštyn arba žemyn. Nustatę norimą pjovimo gylį, užtvirtinkite pagrindą, užverždami suveržimo varžtą.

Įstrižųjų pjūvių darymas

► **Pav.4:** 1. Suveržimo varžtas 2. Įstrižų kampų plokštelė

Atlaisvinkite pagrindo priekyje, ant įstrižos skalės plokštelės esantį suveržimo varžtą. Atitinkamai pakreipdami, nustatykite norimą kampą (nuo 0° iki 45°), tada saugiai užveržkite suveržimo varžtą.

Nutaiymas

► **Pav.5:** 1. Pjovimo linija

Tiesiems pjūviams sulygiuokite pagrindo priekyje pažymėtą „A“ padėtį su pjovimo linija. Atlikdami įstrižus 45° pjūvius, su pjovimo linija sulygiuokite „B“ padėtį.

Jungiklio veikimas

⚠ PERSPĖJIMAS: Prieš montuodami akumulatoriaus kasetę įrankyje, visuomet patikrinkite, ar gaidukas tinkamai veikia ir atleistas grįžta į išjungimo padėtį „OFF“.

⚠ PERSPĖJIMAS: Negalima stipriai spausti gaiduko, nenuspaudus atlaisvinimo svirtelės. Taip galima sugadinti jungiklį.

► **Pav.6:** 1. Atlaisvinimo svirtelė 2. Gaidukas

Kad gaidukas nebūtų atsitiktinai nuspaustas, yra įrengta atlaisvinimo svirtis. Norėdami įjungti įrankį, paspauskite atlaisvinimo svirtelę ir nuspauskite gaiduką. Norėdami išjungti, atleiskite svirtinį gaiduką.

SURINKIMAS

⚠ PERSPĖJIMAS: Prieš darydami ką nors įrankiui visada patikrinkite, ar įrenginys išjungtas, o akumuliatorių kasetė – nuimta.

Deimantinio pjovimo disko montavimas arba nuėmimas

⚠ PERSPĖJIMAS: Deimantiniui diskui montuoti arba nuimti naudokite tik „Makita“ veržliaraktį.

⚠ PERSPĖJIMAS: Sumontavę deimantinį diską, patikrinkite, ar tvirtai užveržėte varžtą.

⚠ PERSPĖJIMAS: Deimantinį diską visuomet dėkite taip, kad ant jo pažymėta rodyklė būtų nukreipta ant deimantinio disko gaubto esančios rodyklės kryptimi. Antraip diskas sukis priešinga kryptimi ir kils kūno sužalojimo pavojus.

► **Pav.7:** 1. Veleno fiksatorius 2. Šešiakampis raktas 3. Priveržti 4. Atlaisvinti

► **Pav.8:** 1. Varžtas su šešiabriaune lizdine galvute 2. Išorinė jungė 3. Deimantinis diskas 4. Vidinė jungė 5. Rodyklė

Norėdami nuimti deimantinį diską, iki galo nuspauskite veleno fiksatorių, kad deimantinis diskas negalėtų sukis ir šešiakampiu veržliarakčiu atsukite varžtą su šešiabriaune galvute, sukdami prieš laikrodžio rodyklę. Tada ištraukite varžtą su šešiabriaune galvute, nuimkite išorinę jungę ir deimantinį diską.

Jei norite sumontuoti deimantinį pjovimo diską, vykdykite nuėmimo procedūrą atvirkščia tvarka. Įsitinkinkite, ar deimantinį diską uždėjote taip, kad ant jo pažymėta rodyklė būtų nukreipta ant deimantinio disko gaubto esančios rodyklės kryptimi.

BŪTINAI TVIRTAI PRIVERŽKITE VARŽTĄ SU ŠEŠIABRIAUNE GALVUTE.

► **Pav.9:** 1. Varžtas su šešiabriaune lizdine galvute 2. Išorinė jungė 3. Deimantinis diskas 4. Vidinė jungė 5. Iškyša (didesnioji pusė)

PASTABA: Jeigu vidinė jungė būtų netyčia nuimta, sumontuokite ją taip, kad jos iškyša (didesnė pusė) būtų nukreipta į vidų, kaip parodyta paveikslėlyje.

Šešiabriaunio veržliarakčio laikymas

► **Pav.10:** 1. Šešiakampis veržliaraktis

Nenaudojamą šešiabriaunį veržliaraktį laikykite taip, kaip parodyta paveikslėlyje, kad nepamestumėte.

Vandens tiekimo pajungimas

Atlaisvinkite varžtą A.

Užmaukite bakelio laikiklį ant variklio korpuso, kad žiedo (bakelio laikiklio dalis) įranta būtų tiesiai po įrankio varžto galvute, kaip parodyta iliustracijoje.

Tada priveržkite varžtą A.

► **Pav.11:** 1. Varžtas A 2. Bakelio laikiklis 3. Variklio korpusas 4. Žiedo (bakelio laikiklio dalis) įranta 5. Įrankio varžto galvutė

Įstatykite bakelį į bakelio laikiklį taip, kad bakelio laikiklis įsitaitytų tarp sustorėjimo ir taškų. Užsukite vamzdžio galo dangtelį ant bakelio angos. Pasukite bakelį pagal laikrodžio rodyklę. Tada priveržkite varžtą B.

► **Pav.12:** 1. Bakelis 2. Vamzdelis 3. Varžtas B

Vandens tiekimas

⚠ PERSPĖJIMAS: Pripildydami bakelį vandens, būkite atsargūs, kad nesušlapytų įrankis.

Prieš pildami vandenį į bakelį, patikrinkite, ar užsuktas vandens tiekimo čiaupas. Nuimkite bakelio dangtelį ir pripilkite vandens. Vėl uždenkite bakelį.

► **Pav.13:** 1. Vandens tiekimo čiaupas 2. Uždaryti 3. Atidaryti

► **Pav.14:** 1. Dangtelis 2. Atidaryti

NAUDOJIMAS

⚠ PERSPĖJIMAS: Šį įrankį reikia naudoti tik horizontaliems paviršiams.

⚠ PERSPĖJIMAS: Darbo metu tvirtai laikykite įrankį ant stabilaus darbatalio arba stalo.

⚠ PERSPĖJIMAS: Nesukite ir nestumkite įrankio į pjūvį jėga, nes variklis gali būti perkrautas arba gali suduoti ruošinys.

⚠ PERSPĖJIMAS: Šio įrankio negalima naudoti apvertus deimantiniu disku į viršų arba šonu.

⚠ PERSPĖJIMAS: Šiam įrankiui naudojamas šlapijo tipo deimantinis diskas, skirtas stikliui ir plytelėms pjaustyti. Darbo metu būtinai tiekite vandenį ant deimantinio disko.

⚠ PERSPĖJIMAS: Jeigu deimantinio disko pjovimo galia sumažėtų, nušlifaukite disko pjovimo kraštą senu šlifavimo staklių disku arba į betono bloką. Šlifaukite lengvai paspausdami išorinį deimantinio disko kraštą.

► **Pav.15**

Tvirtai laikykite įrankį. Padėkite įrankį pagrindu ant ruošinio, kurį pjausite, taip, kad diskas ruošinio neliestų. Tada įjunkite įrankį ir palaukite, kol diskas pradės sukintis visu greičiu.

Tiekite vandenį diskui taip sureguliuodami vandens tiekimo čiaupą, kad vanduo tekėtų po truputį. Stumkite įrankį pirmyn ruošinio paviršiumi, laikydami pagrindą lygiai ir tolygiai stumdami į priekį, kol baigsite pjauti. Pjaukite tiesia linija, vienodu greičiu.

Plonus, tikslus pjūvius atlikite lėtai. (Pjaudami 5 mm storio stiklą, stumkite maždaug 250 mm/min greičiu. Pjaudami 10 mm storio plytelę, stumkite maždaug 300 mm/min greičiu.) Taip pat sumažinkite stūmimo greitį prieš pat pabaigą, kad neįsuskaldytumėte arba nesuskaldytumėte ruošinio.

PASTABA: Kai akumulatoriaus kasetė yra šalta, įrankis gali veikti ne visu pajėgumu. Tokiu atveju kurį laiką naudokite įrankį, pavyzdžiui, nedideliams pjovimo darbams, kol akumulatoriaus kasetė sušils iki kambario temperatūros. Tuomet įrankis galės veikti visu pajėgumu.

PASTABA: Prieš pradėdami dirbti, patikrinkite, ar užsuktas vandens tiekimo čiaupas.

TECHNINĖ PRIEŽIŪRA

⚠ PERSPĖJIMAS: Visuomet įsitikinkite, ar įrankis yra išjungtas ir akumulatoriaus kasetė yra nuimta prieš atlikdami apžiūrą ir priežiūrą.

PASTABA: Niekada nenaudokite gazolino, benzino, tirpiklio, spirito arba panašių medžiagų. Gali atsirasti išblukimų, deformacijų arba įtrūkimų.

Kad gaminys būtų SAUGUS ir PATIKIMAS, jį taisyti, apžiūrėti ar vykdyti bet kokią kitą priežiūrą ar derinimą turi įgaliotasis kompanijos „Makita“ techninės priežiūros centras; reikia naudoti tik kompanijos „Makita“ pagamintas atsargines dalis.

PASIRENKAMI PRIEDAI

⚠ PERSPĖJIMAS: Šiuos papildomus priedus arba įtaisus rekomenduojama naudoti su šioje instrukcijoje nurodytu „Makita“ bendrovės įrankiu. Naudojant bet kokius kitus papildomus priedus arba įtaisus, gali kilti pavojus sužeisti žmones. Naudokite tik nurodytam tikslui skirtus papildomus priedus arba įtaisus.

Jeigu norite daugiau sužinoti apie tuos priedus, kreipkitės į artimiausią „Makita“ techninės priežiūros centrą.

- Deimantiniai diskai
- Šešiakampis veržliaraktis
- Originalus „Makita“ akumulatorius ir įkroviklis

PASTABA: Kai kurie sąraše esantys priedai gali būti pateikti įrankio pakuotėje kaip standartiniai priedai. Jie įvairiose šalyse gali skirtis.

TEHNILISED ANDMED

Mudel:	CC301D	
Teemantketta läbimõõt	85 mm	
Max. ketta paksus	0,8 mm	
Max. löikesügavus	0° kaldserva juures	25,5 mm
	45° kaldserva juures	16,5 mm
Nimipöörlemiskiirus	1 500 min ⁻¹	
Nimipinge	Alalisvool 10,8 V	
Akukassett	BL1015, BL1020B	BL1040B
Üldpikkus	313 mm	331 mm
Netokaal	1,8 kg	1,9 kg

- Meie pideva uuringu- ja arendusprogrammi tõttu võidakse tehnilisi andmeid muuta ilma sellest ette teatamata.
- Tehnilised andmed ja akukassett võivad riigiti erineda.
- Kaal koos akukassetiga, EPTA-protseduuri 01/2003 kohaselt

Kavandatud kasutus

Tööriist on ette nähtud klaas- ja müüritismaterjalide lõikamiseks teemantkettaga ja koos vee kasutamisega.

Müra

Tüüpiline A-korrigeeritud müratase, määratud standardi EN60745 kohaselt:

Helirõhutase (L_{pA}): 84 dB (A)

Helivõimsuse tase (L_{WA}): 95 dB (A)

Määramatus (K): 3 dB (A)

▲HOIATUS: Kasutage kõrvakaitsmeid.

Vibratsioon

Vibratsiooni koguväärtus (kolmeteljeliste vektorite summa) määratud standardi EN60745 kohaselt:

Töörežiim: betooni lõikamine

Vibratsiooniheide (a_h): 2,5 m/s² või vähem

Määramatus (K): 1,5 m/s²

MÄRKUS: Deklareeritud vibratsiooniheite väärtus on mõeldud kooskõlas standardse testimismeetodiga ning seda võib kasutada ühe seadme võrdlemiseks teisega.

MÄRKUS: Deklareeritud vibratsiooniheite väärtust võib kasutada ka mürataseme esmaseks hindamiseks.

▲HOIATUS: Vibratsioonitase võib elektritööriista tegelikuses kasutamise ajal erineda deklareeritud väärtusest olenevalt tööriista kasutamise viisidest.

▲HOIATUS: Rakendage operaatori kaitsmiseks kindlasti piisavaid ohutusabinõusid, mis põhinevad hinnangulisel müratasemel tegelikus töösituatsioonis (võttes arvesse tööperioodi kõiki osasid, nagu näiteks korrad, kui seade lülitatakse välja ja seade töötab tühikäigul, lisaks tööajale).

EÜ vastavusdeklaratsioon

Ainult Euroopa riikide puhul

EL-i vastavusdeklaratsioon sisaldub käesoleva juhendi Lisas A.

OHUTUSHOIATUSED

Üldised elektritööriistade ohutushoiatused

▲HOIATUS: Lugege läbi kõik ohutushoiatused ja juhtnõõrid. Hoiatuste ja juhtnõõride mittejärgmine võib põhjustada elektrišokki, tulekahju ja/või tõsisaid vigastusi.

Hoidke edaspidisteks viide- teks alles kõik hoiatused ja juhtnõõrid.

Hoiatustes kasutatud termini „elektritööriist“ all peetakse silmas elektriga töötavaid (juhtmega) elektritööriistu või akuga töötavaid (juhtmeta) elektritööriistu.

Juhtmeta lõikuri ohutusnõuded

1. Tööriistaga kaasas olev kaitsepiire peab olema kinnitatud seadme külge kindlalt ja suurimat ohutust tagavas asendis, nii et võimalikult väike osa ketta kasutajapoolselt küljest on katmata. Ärge seiske ise ja ärge lubage kõrvalistel isikutel seista kohakuti pöördketta tasapinnaga. Piire aitab käitajat purunenud kettatükkide ja kettaga juhuslikku kokkupuutesse sattumise eest kaitsta.
2. Kasutage elektritööriistaga ainult teemantlõikekettaid. Kuigi tarvik võib sobitada elektritööriista külge, ei taga see ohutut töötamist.

3. **Tarviku nimikiirus peab olema vähemalt võrdne elektritööriista märgitud maksimaalse kiirusega.** Tarvikud, mis töötavad nimikiirusest suuremal kiirusel, võivad katki minna ja laiali lennata.
 4. **Kettaid tohib kasutada ainult sellel otstarbel, milleks need on mõeldud.** Näiteks ärge kasutage lõikeketta külge lihvimiseks. Abrasiivlõikekettad on ette nähtud äärepindade lihvimiseks, nendele ketastele rakendatavad külgjõud võivad ketta purustada.
 5. **Kasutage alati rikkumata servadega kettaid, mille läbimõõt sobib valitud tööriistaga.** Sobivad kettaäärikud toestavad ketast, vähendades ketta purunemise ohtu.
 6. **Tarviku välisdiameeter ja paksus peavad jääma teie elektritööriista puhul ettenähtud parameetrite nimiaandmete vahemikku.** Valede mõõtudega tarvikud ei ole tööriistas nõuetekohaselt kaitsitud ega kontrolli all.
 7. **Kettavõlli ava ja äärikute suurus peavad sobima elektritööriista võlli suurusega.** Elektritööriista kinnitussvahenditega mittesobivate avadega ketaste ja äärikute paigaldamisel lähevad viimased tasakaalust välja, vibreerivad tugevalt ja võivad põhjustada juhitavuse kaotust.
 8. **Ärge kasutage rikutud servadega kettaid.** Enne igakordset kasutamist kontrollige, et kettal ei oleks takkeid ja mõrasid. Juhul, kui elektritööriist või ketas peaks maha kukkuma, kontrollige, et ei esineks kahjustusi või paigaldage uus ketas. Pärast ketta kontrollimist ja paigaldamist, seadke ennast ja kohalviibijad pöördketta terast eemale ja käitage elektritööriista maksimaalsel kiirusel ilma koormuseta ühe minuti jooksul. Rikutud kettad purunevad tavaliselt testimise käigus.
 9. **Kandke isiklikku kaitsevarustust. Rakendusest olenevalt kandke näokaitset, kaitseprille või prille. Vajadusel kandke tolmumaski, kõrvaklappe, kindaid ja tööõlle, mis kaitseb väikeste lihvimis- või töödeldava detaili osakeste eest.** Silmakaitsemed peavad kaitsma töö käigus tekkinud lenduvate osakeste eest. Tolmumask või respiraator peab kaitsma töö käigus tekkinud filtreerivate osakeste eest. Alaline kokkupuude suure müraga võib põhjustada kuulmiskahjustuse.
 10. **Hoidke kõrvalseisjad tööalast turvalises kauguses. Kõik, kes sisenevad tööalasse, peavad kandma kaitsevarustust.** Töödeldava detaili osakesed või purunenud ketas võivad lenduda ja põhjustada vigastuse tööpiirkonna vahetus läheduses viibijatele.
 11. **Hoidke elektritööriista ainult isoleeritud haardepindadest, kui töotate kohas, kus lõiketera puutuda vastu varjatud juhtmeid.** Voolu all oleva juhtmega kokkupuutesse sattunud lõiketera võib pingestada elektritööriista metallosi ning põhjustada kasutajale elektrilöögi.
 12. **Hoidke juhe pöörlevast tarvikust eemal.** Kui kaotate kontrolli, võib lõikeketas toitejuhtmesse lõigata või mõne eseme otsa takerduda ning teie käe pöörlema ketta vahele tõmmata.
 13. **Ärge pange elektritööriista maha, kui tarviku liikumine pole täielikult peatunud.** Pöörlev tarvik võib pinna külge takerduda ja elektritööriist võib kontrolli alt väljuda.
 14. **Ärge käitage elektritööriista ajal, kui kannate seda.** Juhuslik kokkupuude pöörleva tarvikuga võib põhjustada riiete kinnijäämist ja tarviku kehasse tõmmata.
 15. **Puhastage elektritööriista õhuavasid regulaarselt.** Mootori ventilaator tõmbab tolmu korpusesse ja metallitolmu liigne kogunemine võib põhjustada elektrilohti.
 16. **Ärge kasutage seadet tuleohtlike materjalide lähedal.** Need materjalid võivad sädemetest süttida.
- Tagasilöökk ja vastavad hoitavad**
- Tagasilöökk on kinnikiilunud või mõne eseme otsa sattunud pöörleva lõikeketta ootamatu reaktsioon. Kinnikiilumine või pörkimine põhjustab pöörleva ketta kiiret seisumäämist, mis omakorda sunnib juhitamatult elektritööriista liikuma vastassuunas ketta pöörlemise suunale ühenduspunkti.
- Näiteks kui abrasiivne ketas kiilub kinni töödeldavasse detaili, võib kinnikiilumiskohta sisenenud lõikeketta serv materjali pinda tungida, mille tagajärjel lõikeketas hüppab välja või põhjustab tagasilöögi. Lõikeketas võib hüpata kasutaja poole või kasutajast eemale olenevalt ketta liikumissuunast kinnikiilumiskohas. Lihvkettad võivad neis tingimustes samuti puruneda.
- Tagasilöökk tekib elektritööriista väärkasutamisel ja/või mittevastava tööprotseduuri või -tingimuste korral ning on välditav, kui rakendate alljärgnevalt esitatud vastavaid ettevaatusabinõusid.
1. **Hoidke elektritööriistast tugevasti kinni ning seadke keha ja küünarnukk sellisesse asendisse, mis võimaldab tagasilöögile õigesti reageerida.** Kasutage alati abikäepidet, kui see on olemas, et tööriista käivitamisel tagasilöögi ja pöördemomendi vastumõju üle kontrolli saavutada. Asjakohaste ettevaatusabinõude rakendamisel saab operaator tagasilöögi ja pöördemomendi vastumõju kontrollida.
 2. **Ärge kunagi asetage kätt pöörleva tarviku lähedale.** Te võite tarvikult tagasilöögi saada.
 3. **Ärge seadke ennast ühele jonele pöörleva lõikekettaga.** Ärge viibige alas, kus elektritööriist võib tagasilöögi ajal liikuda. Tagasilöökk paneb tööriista pörkekohas ketta liikumissuunale vastupidises suunas liikuma.
 4. **Olge eriti ettevaatlik, kui töötlete nurki, teravaid servi jne. Vältige tarviku pörkimist esemete vastu.** Nurgad, teravad servad ja tagsipörkimine on tavaliselt nendeks teguriteks, mis võivad põhjustada pöörleva tarviku kinnijäämist, kontrolli kaotamist või tagasilööki.
 5. **Ärge kinnitage tööriista külge saeketti, puunikerdustera, segmenteeritud teemantketast, mille servasüvendite laius on suurem kui 10 mm, ega hambulist saetera.** Sellised terad tekitavad sageli tagasilööki ja juhitavuse kadu.
 6. **Ärge „ummistage“ ketast ega rakendage liigset jõudu.** Ärge püüdke teha liiga sügavat lõiget. Ketta ülepingestamine suurendab ketta koormust ja vastuvõttlikust väändumisele või kinnijäämisele lõikes ning tagasilöögi esinemise või ketta purunemise võimalust.
 7. **Kui ketas kiilub kinni või lõikamine katkeb mingil põhjusel, lülitage elektritööriist välja ja hoidke tööriista liikumatult kuni ketta täieliku seisumiseni.** Ärge kunagi püüdke ketast lõikest eemaldada ketta liikumise ajal, sest vastasel juhul võib tekkida tagasilöökk. Selgitage välja ketta kinnijäämise põhjus ja rakendage asjakohast parandusmeetet põhjuse kõrvaldamiseks.

8. Ärge käivitage lõikamist töödeldavas detailis. Laske kettal saavutada täiskiiirus ja sisenege seejärel uuesti ettevaatlikult lõikesse. Kui elektritööriist taaskäivitatakse töödeldavas detailis, võib ketas kinni jääda, ülespoole liikuda või põhjustada tagasilöögi.
9. Vähendamaks ketta pütmise ja tagasilöögi ohtu, toestage paneelid või ülemöödulised töödeldavad detailid. Suured detailid hakkavad painduma omaenese raskuse all. Toed tuleb paigutada töödeldava detaili alla lõikejoone lähedale ja tooriku serva lähedale ketta mõlemal küljel.
10. Olge eriti ettevaatlik, kui teete „sukelduslõikamist“ olemasolevates seintes või muudes varjatud piirkondades. Väljaulatav lõiketera võib lõikuda gaasi- või veetorudesse, elektrijuhtmetesse või muudesse esemetesse ning põhjustada tagasilöögi.

Lisaturvahoitused:

1. Enne segmentidega servaga teemantketta kasutamist veenduge, et teemantketta serva segmentide vahe on 10 mm või vähem ning et tegemist on kindlasti lõiketera negatiivse esinurgaga.
2. Ärge kunagi püüdke lõigata rakises tagurpidises asendis hoitava tööriistaga. See on äärmiselt ohtlik ja võib põhjustada tõsiseid õnnetusi.
3. Mõned materjalid võivad sisaldada mürgiseid aineid. Võtke meetmed tolmu sissehingamise ja nahaga kokkupuute vältimiseks. Järgige materjali tarnija ohutusteavet.
4. Hoiundage kettaid vastavalt tootja soovitusetele. Mittenõuetekohane hoiundamine võib kettaid kahjustada.

HOIDKE JUHEND ALLES.

⚠HOIATUS: ÄRGE UNUSTAGE järgida toote ohutusnõudeid mugavuse või toote (korduskasutamisega saavutatud) hea tundmise tõttu. VALE KASUTUS või kasutusjuhendi ohutuseeskirjade eiramine võib põhjustada tervisekahjustusi.

Akukassetiga seotud olulised ohutusjuhised

1. Enne akukassetti kasutamist lugege (1) akulaadid, (2) akul ja (3) seadmel olevad juhtnõidid ja hoiatused läbi.
2. Ärge võtke akukassetti lahti.
3. Kui tööaeg järsult lüheneb, siis lõpetage kohe kasutamine. Edasise kasutamise tulemuseks võib olla ülekuumenemisoht, võimalikud põletused või isegi plahvatus.
4. Kui elektrolüüti satub silma, siis loputage silma puhta veega ja pöörduge koheselt arsti poole. Selline õnnetus võib põhjustada pimedaksjäämist.
5. Ärge tekitage akukassetis lühist:
 - (1) Ärge puutuge klemme elektrijuhtidega.
 - (2) Ärge hoidke akukassetti tööriistakassis koos metallesemetega, nagu naelad, mündid jne.

- (3) Ärge tehke akukassetti märjaks ega jätke seda vihma kätte.

Aku lühis võib põhjustada tugevat elektrivoolu, ülekuumenemist, põletusi ning ka seadet tõsiselt kahjustada.

6. Ärge hoidke tööriista ja akukassetti kohtades, kus temperatuur võib tõusta üle 50 °C.
7. Ärge põletage akukassetti isegi siis, kui see on saanud tõsiselt vigastada või on täiesti kulumud. Akukassett võib tules plahvatada.
8. Olge ettevaatlik, ärge laske akul maha kukkuda ja vältige lööke.
9. Ärge kasutage kahjustatud akut.
10. Sisalduvatele liitium-ioonakudele võivad kohalduda ohtlike kaupade õigusaktide nõuded. Kaubanduslikul transportimisel, näiteks kolmanda poolte või transpordiettevõtete poolt, tuleb järgida pakendil ja sihtidel toodud erinõudeid. Transportimiseks ettevalmistamisel on vajalik pidada nõu ohtliku materjali ekspertdiga. Samuti tuleb järgida võimalike riiklike regulatsioonide üksikasjalikumaid nõudeid. Katke teibiga või varjake avatud kontaktid ja pakendage aku selliselt, et see ei saaks pakendis liikuda.
11. Järgige kasutuskõlbatuks muutunud aku käitlemisel kohalikke eeskirju.

HOIDKE JUHEND ALLES.

⚠ETTEVAATUST: Kasutage ainult Makita originaalakusid. Mitte Makita originaalakude või muudetud akude kasutamine võib põhjustada akude süttimise, kehavigastuse ja kahjustuse. Samuti muudab see kehtetuks Makita tööriista ja laadija Makita garantii.

Vihjeid aku maksimaalse kasutaja tagamise kohta

1. Laadige akukassetti enne selle täielikku tühjenemist. Kui märkate, et tööriist töötab väiksema võimsusega, peatage töö ja laadige akukassetti.
2. Ärge laadige täielikult laetud akukassetti. Ülelaadimine lühendab akude kasutusiga.
3. Laadige akukassetti toatemperatuuril 10 °C - 40 °C. Enne laadimist laske kuumenenud akukassetil maha jahtuda.

FUNKSIONAALNE KIRJELDUS

⚠ETTEVAATUST: Kandke alati hoolt selle eest, et tööriist oleks enne reguleerimist ja kontrollimist välja lülitatud ja akukassett eemaldatud.

Akukasseti paigaldamine või eemaldamine

⚠ETTEVAATUST: Lülitage tööriist alati enne akukasseti paigaldamist või eemaldamist välja.

⚠ETTEVAATUST: Akukasseti paigaldamisel või eemaldamisel tuleb tööriista ja akukasseti kindlalt paigal hoida. Kui tööriista ja akukasseti ei hoita kindlalt paigal, võivad need käest libiseda ning kahjustada tööriista ja akukasseti või põhjustada kehavigastusi.

► **Joon.1:** 1. Punane näidik 2. Nupp 3. Akukassett

Akukasseti eemaldamiseks libistage see tööriista küljest lahti, vajutades kasseti esiküljel paiknevat nuppu alla.

Akukasseti paigaldamiseks joondage akukasseti keel korpuse soonega ja libistage kassett oma kohale. Paigaldage akuadapter alati nii kaugemale, et see lukustuks klõpsatusega oma kohale. Kui näete nupu ülaosas punast osa, pole kassett täielikult lukustunud.

⚠ETTEVAATUST: Paigaldage akukassett alati täies ulatuses nii, et punast osa ei jääks näha.

Muidu võib adapter juhuslikult tööriistast välja kukkuda ning põhjustada teile või läheduses viibivatele isikutele vigastusi.

⚠ETTEVAATUST: Ärge rakendage akukasseti paigaldamisel jõudu. Kui kassett ei lähe kergesti sisse, pole see õigesti paigaldatud.

Aku kaitsesüsteem

Tööriist on varustatud aku kaitsesüsteemiga. Süsteem lülitab mootori automaatselt välja, et pikendada aku tööiga.

Tööriist seiskub käitamise ajal automaatselt, kui tööriista ja/või aku kohta kehtivad järgmised tingimused:

Ülekoormus:

Tööriista kasutatakse viisil, mis põhjustab toitevoolu tugevuse tõusu lubatust kõrgemale.

Sellisel juhul lülitage tööriist välja ning lõpetage tööriista ülekoormuse põhjustanud tegevus. Pärast seda käivitage tööriist uuesti.

Kui tööriist ei käivitu, on aku üle kuumenenud. Sellises olukorras laske akul enne tööriista uuesti sisselülitamist jahtuda.

Madal akupinge:









Järelejäanud aku voolutugevus on liiga väike ja tööriist ei tööta. Tööriista sisse lülitades hakkab mootor tööle, kuid seiskub peatselt. Sellisel juhul eemaldage aku ja laadige seda.

Aku jääkmahutavuse näit

Ainult akukassetid, mille mudelinumber lõppeb tähega „B”

► **Joon.2:** 1. Märgulambid 2. Kontrollimise nupp

Akukasseti järelejäanud mahutavuse kontrollimiseks vajutage kontrollimise nuppu. Märgulambid süttivad mõneks sekundiks.

Märgulambid		Jääkmahutavus
Pöleb	Ei põle	
		75–100%
		50–75%
		25–50%
		0–25%

MÄRKUS: Näidatud mahutavus võib veidi erineda tegelikust mahutavusest olenevalt kasutustingimustest ja ümbritseva keskkonna temperatuurist.

Lõikesügavuse reguleerimine

⚠ETTEVAATUST: Pärast lõikesügavuse reguleerimist pingutage pitskruvi alati korralikult.

► **Joon.3:** 1. Pitskruvi 2. Sügavusjuhik

Vabastage sügavusjuhikule olevat pitskruvi ja nihutage alust üles või alla. Soovitud lõikesügavuse juures kinnitage pitskruvi pingutades alust.

Kaldlõikamine

► **Joon.4:** 1. Pitskruvi 2. Kaldenurga skaala

Lõdvendage aluse esiosas kaldenurga skaalaplaadil olevat pitskruvi. Seadke kallutamise teel soovitud kaldenurk (0°–45°), seejärel kinnitage pitskruvi korralikult.

Sihtimine

► **Joon.5:** 1. Lõikejoon

Sirglõigete tegemiseks seadke punkt A aluse esiküljel lõikejoonega kohakuti. 45° kaldlõigete tegemiseks seadke sellega kohakuti punkt B.

Lüliti funktsioneerimine

⚠ETTEVAATUST: Kontrollige alati enne akukasseti tööriista külge paigaldamist, kas lüliti päästik funktsioneerib nõuetekohaselt ja liigub lahtilaskmisel tagasi väljalülitatud asendisse.

⚠ETTEVAATUST: Ärge tõmmake lüliti päästikut jõuga ilma lahtilukustuse hooba vajutamata. See võib põhjustada lüliti purunemise.

► **Joon.6:** 1. Lahtilukustushoob 2. Lüliti päästik

Selleks et lüliti päästikut poleks võimalik juhuslikult tõmmata, on tööriist varustatud lahtilukustuse hoovaga. Tööriista käivitamiseks lükake lahtilukustuse hooba ning tõmmake lüliti päästikut. Vabastage lüliti päästik tööriista seiskamiseks.

KOKKUPANEK

⚠ETTEVAATUST: Kandke alati hoolt selle eest, et tööriist oleks enne igasuguseid hooldustöid välja lülitatud ja akukassett eemaldatud.

Teemantketta paigaldamine või eemaldamine

⚠ETTEVAATUST: Kasutage teemantketta paigaldamiseks ja eemaldamiseks ainult Makita mutrivõtit.

⚠ETTEVAATUST: Teemantketta paigaldamisel tuleb kruvi kindlasti tugevalt kinnitada.

⚠ETTEVAATUST: Paigaldage teemantketas alati nii, et sellel olev nool osutaks kettakarbil oleva noolega samasse suunda. Vastasel juhul pöörleb ketas vastassuunas ja see võib põhjustada kehavigastusi.

► **Joon.7:** 1. Võllilukk 2. Kuuskantvõti 3. Pingutage 4. Vabastage

► **Joon.8:** 1. Kuuskantkruvi 2. Välisäärik 3. Teemantketas 4. Siseäärik 5. Nool

Teemantketta eemaldamiseks vajutage võllilukk lõpuni alla nii, et teemantketas ei saaks pöörduda, ja keerake kuuskantkruvi kuuskantvõtmega vastupäeva lahti. Seejärel eemaldage kuuskantkruvi, välisäärik ja teemantketas.

Teemantketta paigaldamiseks tegutsege eemaldamise protseduurile vastupidises järjekorras. Veenduge, et teemantketas on paigaldatud nii, et sellel olev nool osutab kettakarbil oleva noolega samasse suunda. KEERAKE KUUSKANTKRUVI KINDLASTI KORRALIKULT KINNI.

► **Joon.9:** 1. Kuuskantkruvi 2. Välisäärik 3. Teemantketas 4. Siseäärik 5. Väljaulatuv osa (suurem külg)

MÄRKUS: Kui sisemine äärik juhuslikult eemaldatakse, paigaldage see tagasi nii, et ääriku väljaulatuv osa (suurem külg) jääks sissepoole, nagu on joonisel näidatud.

Kuuskantvõtme hoialepanek

► **Joon.10:** 1. Kuuskantvõti

Kui kuuskantvõtit ei kasutata, siis pange see joonisel näidatud moel hoiale, et vältida selle ära kadumist.

Veevarustuse paigaldamine

Laske kruvi A lõdvemaks.

Libistage paagi hoidik kogu ulatuses mootori korpusse, nii et sälk ribal (osa paagi hoidikust) paikneb vastavalt joonisele täpselt tööriista poldi pea all. Seejärel keerake kruvi A kinni.

► **Joon.11:** 1. Kruvi A 2. Paagi hoidik 3. Mootori korpus 4. Sälk ribal (osa paagi hoidikust) 5. Tööriista poldi pea

Kinnitage paak paagihoidikule, nii et paagihoidik sobituks astme ja punktide vahele. Ühendage toru otsas olev kork paagisuuga. Keerake paaki päripäeva. Seejärel keerake kruvi B kinni.

► **Joon.12:** 1. Paak 2. Toru 3. Kruvi B

Veevarustus

⚠ETTEVAATUST: Paagi veega täitmisel olge ettevaatlik, et tööriist märjaks ei saaks.

Veenduge enne paagi veega täitmist, et veekraan on kinni keeratud. Avage paagi kork ja täitke paak veega. Pange paagile kork tagasi.

► **Joon.13:** 1. Veevarustuse kraan 2. Sulgege 3. Avage

► **Joon.14:** 1. Kork 2. Avage

TÖÖRIISTA KASUTAMINE

⚠ETTEVAATUST: Tööriista tohib kasutada ainult horisontaalsel pinnal.

⚠ETTEVAATUST: Töö käigus toetage töödeldav detail kindlasti tugevalt stabiilsele pingile või lauale.

⚠ETTEVAATUST: Ärge keerake tööriista lõikamise ajal ega kasutage jõudu, muidu võib mootoris tekkida ülekoormus või töödeldav detail puruneda.

⚠ETTEVAATUST: Ärge kasutage tööriista, kui teemantketas on suunatud üles või küljele.

⚠ETTEVAATUST: Sellele tööriistale on ette nähtud klaasi ja kahelkivide lõikamiseks mõeldud märgtüüpi teemantketas. Tagage töö käigus kindlasti teemantketta veevarustus.

⚠ETTEVAATUST: Kui teemantketta lõikeomadused hakkavad halvenema, lihvige selle serva vana kasutusest kõrvaldatud jämedateralise käiakivi või betoonplokiaga. Lihvige teemantketta välisservale kergelt vajutades.

► **Joon.15**

Hoidke tööriistast kindlalt kinni. Paigutage alusplaat lõigatavale detailile ilma, et ketas sellega kokku puutuks. Seejärel pöörake tööriista ja oodake, kuni ketas saavutab täiskiiiruse.

Varustage ketast veega, reguleerides veevarustuse kraani selliselt, et vesi voolaks õrnalt.

Liigutage tööriista üle detaili pinna ettepoole, hoides seda lamedalt ja viies sujuvalt edasi, kuni lõikamine on lõpetatud. Hoidke lõikejoon sirge ja liikumiskiirus ühtlasena.

Kvaliteetse, puhta lõike saavutamiseks lõigake aeglaselt. (Lõigates 5 mm paksust klaasplaati, lõigake pöörlemissagedusel umbes 250 mm/min. (Lõigates 10 mm paksust klaasplaati, lõigake pöörlemissagedusel umbes 300 mm/min.)) Lõikamist lõpetades vähendage kiirust, et vältida lõigatava detaili purunemist või mõranemist.

MÄRKUS: Kui akukassetti temperatuur on madal, ei pruugi tööriist töötada täisvõimsusel. Sellisel juhul kasutage tööriista mõnda aega näiteks kergemal režiimil lõikamiseks, kuni akukassett soojeneb toatemperatuurini. Pärast seda saab tööriist töötada täisvõimsusel.

MÄRKUS: Enne töö alustamist veenduge, et veekraan on suletud.

HOOLDUS

⚠ETTEVAATUST: Enne kontroll- või hooldustoimingute tegemist kandke alati hoolt selle eest, et tööriist oleks välja lülitatud ja akukassett korpuse küljest eemaldatud.

TÄHELEPANU: Ärge kunagi kasutage bensiini, vedeldit, alkoholi ega midagi muud sarnast. Selle tulemuseks võib olla luitumine, deformatsioon või pragunemine.

Toote OHUTUSE ja TÖÖKINDLUSE tagamiseks tuleb vajalikud remonttööd ning muud hooldus- ja reguleerimistööd lasta teha Makita volitatud teeninduskeskustes või tehase teeninduskeskustes. Alati tuleb kasutada Makita varuosi.

VALIKULISED TARVIKUD

⚠ETTEVAATUST: Neid tarvikuid ja lisaseadiseid on soovitatav kasutada koos Makita tööriistaga, mille kasutamist selles kasutusjuhendis kirjeldatakse. Muude tarvikute ja lisaseadiste kasutamisega kaasneb vigastada saamise oht. Kasutage tarvikuid ja lisaseadiseid ainult otstarbekohaselt.

Saate vajaduse korral kohalikust Makita teeninduskeskusest lisateavet nende tarvikute kohta.

- Teemantkettad
- Kuuskantvõti
- Makita algupärane aku ja laadija

MÄRKUS: Mõned nimekirjas loetletud tarvikud võivad kuuluda standardvarustusse ning need on lisatud tööriista pakendisse. Need võivad riigiti erineda.

ТЕХНИЧЕСКИЕ ХАРАКТЕРИСТИКИ

Модель:	CC301D	
Диаметр алмазного диска	85 мм	
Макс. толщина диска	0,8 мм	
Макс. глубина резки	со скосом 0°	25,5 мм
	со скосом 45°	16,5 мм
Номинальное число оборотов	1 500 мин ⁻¹	
Номинальное напряжение	10,8 В пост. тока	
Блок аккумулятора	BL1015, BL1020B	BL1040B
Общая длина	313 мм	331 мм
Масса нетто	1,8 кг	1,9 кг

- Благодаря нашей постоянно действующей программе исследований и разработок указанные здесь технические характеристики могут быть изменены без предварительного уведомления.
- Технические характеристики и аккумуляторный блок могут отличаться в зависимости от страны.
- Масса (с аккумуляторным блоком) в соответствии с процедурой EPTA 01.2003

Назначение

Данный инструмент предназначен для резки стекла и каменной кладки при помощи алмазного диска и воды.

Шум

Типичный уровень взвешенного звукового давления (A), измеренный в соответствии с EN60745:
 Уровень звукового давления (L_{pA}): 84 дБ (A)
 Уровень звуковой мощности (L_{WA}): 95 дБ (A)
 Погрешность (K): 3 дБ (A)

⚠ОСТОРОЖНО: Используйте средства защиты слуха.

Вибрация

Суммарное значение вибрации (сумма векторов по трем осям), определенное в соответствии с EN60745:
 Рабочий режим: резка бетона
 Распространение вибрации (a_h): 2,5 м/с² или менее
 Погрешность (K): 1,5 м/с²

ПРИМЕЧАНИЕ: Заявленное значение распространения вибрации измерено в соответствии со стандартной методикой испытаний и может быть использовано для сравнения инструментов.

ПРИМЕЧАНИЕ: Заявленное значение распространения вибрации можно также использовать для предварительных оценок воздействия.

⚠ОСТОРОЖНО: Распространение вибрации во время фактического использования электроинструмента может отличаться от заявленного значения в зависимости от способа применения инструмента.

⚠ОСТОРОЖНО: Обязательно определите меры безопасности для защиты оператора, основанные на оценке воздействия в реальных условиях использования (с учетом всех этапов рабочего цикла, таких как выключение инструмента, работа без нагрузки и включение).

Декларация о соответствии ЕС

Только для европейских стран

Декларация о соответствии ЕС включена в руководство по эксплуатации (Приложение А).

МЕРЫ БЕЗОПАСНОСТИ

Общие рекомендации по технике безопасности для электроинструментов

⚠ОСТОРОЖНО: Ознакомьтесь со всеми инструкциями и рекомендациями по технике безопасности. Невыполнение инструкций и рекомендаций может привести к поражению электротоком, пожару и/или тяжелым травмам.

Сохраните брошюру с инструкциями и рекомендациями для дальнейшего использования.

Термин "электроинструмент" в предупреждениях относится ко всему инструменту, работающему от сети (с проводом) или на аккумуляторах (без провода).

Правила техники безопасности при эксплуатации аккумуляторной алмазной пилы

- 1. Защитный кожух, поставляемый с инструментом, должен быть надежно закреплен и расположен для обеспечения максимальной защиты так, чтобы со стороны оператора оставалась открытой минимальная часть диска. Вы и сторонние наблюдатели должны находиться на максимально возможном расстоянии от плоскости вращения диска.** Ограждение помогает обезопасить оператора от отлетающих осколков поврежденного диска и случайного контакта с ним.
 - 2. Для работы с инструментом используйте только алмазные отрезные диски.** Возможность установки принадлежности на инструмент сама по себе не гарантирует безопасной работы.
 - 3. Номинальная скорость принадлежностей должна быть как минимум равна максимальной скорости, обозначенной на инструменте.** При превышении номинальной скорости принадлежности она может разломиться на части.
 - 4. Диски должны использоваться только по рекомендованному назначению. Например: не шлифуйте краем отрезного диска.** Абразивные отрезные диски предназначены для периферийного шлифования, и боковые усилия, приложенные к таким дискам, могут вызвать их разрушение.
 - 5. Обязательно используйте неповрежденные фланцы соответствующего выбранному диску диаметра.** Подходящие фланцы поддерживают диск, снижая вероятность его повреждения.
 - 6. Внешний диаметр и толщина принадлежности должны соответствовать номинальной мощности инструмента.** Принадлежности, размер которых подобран неверно, не гарантируют безопасности и точности управления.
 - 7. Размер оправки дисков и фланцев должен в точности соответствовать параметрам шпинделя электроинструмента.** Несоответствие диаметра оправки дисков, фланцев и монтажного узла электроинструмента может привести к нарушению балансировки, сильной вибрации и потере контроля над инструментом.
 - 8. Не используйте поврежденные диски. Перед каждым использованием осматривайте диски на предмет сколов и трещин. В случае падения электроинструмента или диска убедитесь в отсутствии поврежденного или установленного неповрежденного диска. После осмотра и установки диска отойдите сами и попросите отойти сторонних наблюдателей на безопасное расстояние от плоскости вращения диска, затем включите инструмент на максимальной мощности без нагрузки и дайте ему поработать в течение одной минуты.** Поврежденные диски обычно разрушаются за время такой проверки.
 - 9. Надевайте индивидуальные средства защиты. В зависимости от выполняемых операций используйте защитную маску или защитные очки. При необходимости используйте респиратор, средства защиты слуха, перчатки и передник, способный защитить от маленьких фрагментов абразива или заготовки.** Средства защиты органов зрения должны предохранять от летящих фрагментов, появляющихся при выполнении различных операций. Пылезащитная маска или респиратор должны обеспечивать фильтрацию пыли, возникающей во время работы. Продолжительное воздействие сильного шума может стать причиной потери слуха.
 - 10. Посторонние лица должны находиться на безопасном расстоянии от рабочего места. Любой приближающийся к рабочему месту человек должен предварительно надеть индивидуальные средства защиты.** Фрагменты обрабатываемой детали или разрушенного диска могут разлететься и причинить травмы даже за пределами рабочей зоны.
 - 11. Если при выполнении работ существует риск контакта режущего инструмента со скрытой электропроводкой, держите электроинструмент только за специально предназначенные изолированные поверхности.** Контакт режущего инструмента с проводом под напряжением приведет к тому, что металлические детали инструмента также будут под напряжением. Это может стать причиной поражения оператора электрическим током.
 - 12. Располагайте шнур на расстоянии от вращающейся насадки. Если вы не удержите инструмент, возможно случайное разрезание или повреждение шнура, а также затягивание руки вращающейся принадлежностью.**
 - 13. Не кладите инструмент, пока принадлежность полностью не остановится.** Вращающийся диск может зацепить поверхность, и вы можете не удержать инструмент.
 - 14. Не включайте инструмент во время переноски.** Случайный контакт с вращающейся принадлежностью может привести к защемлению одежды и притягиванию принадлежности к телу.
 - 15. Регулярно прочищайте вентиляционные отверстия инструмента.** Вентилятор электродвигателя засасывает пыль внутрь корпуса, а значительные отложения металлической пыли могут привести к поражению электрическим током.
 - 16. Не используйте инструмент вблизи горючих материалов.** Эти материалы могут воспламениться от искр.
- Отдача и соответствующие предупреждения**
Отдача – это неожиданная реакция зажатого или застрявшего вращающегося диска. Застревание или застопоривание вызывает резкую остановку вращающегося диска, что, в свою очередь, приводит к неконтролируемому рывку инструмента в направлении, противоположном вращению диска в момент застревания.

Например, если абразивный круг зажимается или прихватывается деталью, край круга, находящийся в точке заклинивания, может углубиться в поверхность детали, что приведет к выкатыванию или выскакиванию круга. Круг может совершить рывок в направлении оператора или обратно, в зависимости от направления перемещения круга в точке заклинивания. Также в этих условиях абразивные круги могут сломаться.

Отдача – это результат неправильного использования электроинструмента и/или неправильных методов или условий работ, которого можно избежать, соблюдая нижеуказанные меры предосторожности.

- 1. Крепко держите электроинструмент и располагайте свое тело и руки так, чтобы можно было сопротивляться силам отдачи. Обязательно пользуйтесь вспомогательной рукояткой (при наличии), чтобы обеспечить максимальный контроль над отдачей или крутящим моментом во время пуска.** Оператор способен справиться с крутящим моментом и силами отдачи при условии соблюдения соответствующих мер безопасности.
- 2. Берегите руки от вращающейся насадки.** При отдаче насадка может задеть ваши руки.
- 3. Не стойте в плоскости вращения диска.** При отдаче инструмент сместится в направлении, противоположном вращению диска в момент застревания.
- 4. Соблюдайте особую осторожность при обработке углов, острых краев и т. п. Не допускайте ударов и застревания принадлежности.** Углы, острые края и удары способны прихватыванию вращающейся принадлежности, которое приводит к выходу из-под контроля или отдаче.
- 5. Не устанавливайте на инструмент пильную цепь, принадлежность для резьбы по дереву, сегментированный алмазный диск с периферийным зазором более 10 мм или дисковую пилу.** Такие пилы часто дают отдачу и приводят к потере контроля.
- 6. Не "заклинивайте" диск и не прикладывайте к нему чрезмерное давление. Не пытайтесь делать слишком глубокий разрез.** Перенапряжение диска увеличивает нагрузку и вероятность искривления или застревания диска в прорези, а также отдачи или поломки диска.
- 7. Если диск застревает или процесс резания прерывается по другой причине, выключите электроинструмент и держите его неподвижно до полной остановки диска. Не пытайтесь извлечь диск из разреза до полной остановки, в противном случае может возникнуть отдача.** Выясните и устраните причину застревания диска.
- 8. Не перезапускайте отрезной диск, пока он находится в детали. Дождитесь, пока диск разовьет максимальную скорость, и осторожно погрузите его в разрез.** Диск может застрять, отдача может отбросить его вверх или назад, если перезапустить электроинструмент непосредственно в детали.

- 9. Устанавливайте опоры под панели или большие детали, чтобы уменьшить риск застревания диска и возникновения отдачи.** Большие детали имеют тенденцию к прогибанию под собственным весом. При резании таких панелей необходимо поместить опоры под разрезаемую деталью рядом с линией разреза и рядом с краем детали с обеих сторон диска.
- 10. Будьте особенно осторожны при выполнении врезки в существующих стенах или на других участках, недоступных для осмотра.** Выступающая часть круга может перерезать газовые или водопроводные трубы, электропроводку или детали, которые могут вызвать отдачу.

Дополнительные правила техники безопасности:

- 1. Перед использованием сегментированного алмазного диска убедитесь, что периферийный зазор между сегментами алмазного диска не превышает 10 мм, только с отрицательным передним углом наклона.**
- 2. Не пытайтесь резать при помощи перевернутого инструмента, зажатого в тисках. Это очень опасно и может привести к серьезным несчастным случаям.**
- 3. Некоторые материалы могут содержать токсичные химические вещества. Примите соответствующие меры предосторожности, чтобы избежать вдыхания или контакта с кожей таких веществ. Соблюдайте требования, указанные в паспорте безопасности материала.**
- 4. Храните диски в соответствии с рекомендациями производителя. Неправильное хранение может привести к повреждению дисков.**

СОХРАНИТЕ ДАННЫЕ ИНСТРУКЦИИ.

▲ ОСТОРОЖНО: НЕ ДОПУСКАЙТЕ, чтобы удобство или опыт эксплуатации данного устройства (полученный от многократного использования) доминировали над строгим соблюдением правил техники безопасности при обращении с этим устройством. **НЕПРАВИЛЬНОЕ ИСПОЛЬЗОВАНИЕ** инструмента или несоблюдение правил техники безопасности, указанных в данном руководстве, может привести к тяжелой травме.

Важные правила техники безопасности для работы с аккумуляторным блоком

1. Перед использованием аккумуляторного блока прочитайте все инструкции и предупреждающие надписи на (1) зарядном устройстве, (2) аккумуляторном блоке и (3) инструменте, работающем от аккумуляторного блока.
2. Не разбирайте аккумуляторный блок.
3. Если время работы аккумуляторного блока значительно сократилось, немедленно прекратите работу. В противном случае, может возникнуть перегрев блока, что приведет к ожогам и даже к взрыву.
4. В случае попадания электролита в глаза промойте их обильным количеством чистой воды и немедленно обратитесь к врачу. Это может привести к потере зрения.
5. Не замыкайте контакты аккумуляторного блока между собой:

- (1) Не прикасайтесь к контактам какими-либо токопроводящими предметами.
- (2) Не храните аккумуляторный блок в контейнере вместе с другими металлическими предметами, такими как гвозди, монеты и т. п.
- (3) Не допускайте попадания на аккумуляторный блок воды или дождя.

Замыкание контактов аккумуляторного блока между собой может привести к возникновению большого тока, перегреву, возможным ожогам и даже поломке блока.

6. Не храните инструмент и аккумуляторный блок в местах, где температура может достигать или превышать 50 °C (122 °F).
7. Не бросайте аккумуляторный блок в огонь, даже если он сильно поврежден или полностью вышел из строя. Аккумуляторный блок может взорваться под действием огня.
8. Не роняйте и не ударяйте аккумуляторный блок.
9. Не используйте поврежденный аккумуляторный блок.
10. Входящие в комплект литий-ионные аккумуляторы должны эксплуатироваться в соответствии с требованиями законодательства об опасных товарах.

При коммерческой транспортировке, например, третьей стороной или экспедитором, необходимо нанести на упаковку специальные предупреждения и маркировку.

В процессе подготовки устройства к отправке обязательно проконсультируйтесь со специалистом по опасным материалам. Также соблюдайте местные требования и нормы. Они могут быть строже.

Закройте или закрепите разомкнутые контакты и упакуйте аккумулятор так, чтобы он не перемещался по упаковке.

11. Выполняйте требования местного законодательства относительно утилизации аккумуляторного блока.

СОХРАНИТЕ ДАННЫЕ ИНСТРУКЦИИ.

ВНИМАНИЕ: Используйте только фирменные аккумуляторные батареи Makita. Использование аккумуляторных батарей, не произведенных Makita, или батарей, которые были подвергнуты модификациям, может привести к взрыву аккумулятора, пожару, травмам и повреждению имущества. Это также автоматически аннулирует гарантию Makita на инструмент и зарядное устройство Makita.

Советы по обеспечению максимального срока службы аккумулятора

1. Заряжайте блок аккумуляторов перед его полной разрядкой. Обязательно прекратите работу с инструментом и зарядите блок аккумуляторов, если вы заметили снижение мощности инструмента.
2. Никогда не подзаряжайте полностью заряженный блок аккумуляторов. Перезарядка сокращает срок службы аккумулятора.
3. Заряжайте блок аккумуляторов при комнатной температуре в 10 - 40 °C (50 - 104 °F). Перед зарядкой горячего блока аккумуляторов дайте ему остыть.

ОПИСАНИЕ РАБОТЫ

ВНИМАНИЕ: Перед регулировкой или проверкой функций инструмента обязательно убедитесь, что он выключен и его аккумуляторный блок снят.

Установка или снятие блока аккумуляторов

ВНИМАНИЕ: Обязательно выключайте инструмент перед установкой и извлечением аккумуляторного блока.

ВНИМАНИЕ: При установке и извлечении аккумуляторного блока крепко удерживайте инструмент и аккумуляторный блок. Если не соблюдать это требование, они могут выскользнуть из рук, что приведет к повреждению инструмента, аккумуляторного блока и травмированию оператора.

► **Рис.1:** 1. Красный индикатор 2. Кнопка 3. Блок аккумулятора

Для снятия аккумуляторного блока нажмите кнопку на лицевой стороне и извлеките блок.

Для установки аккумуляторного блока совместите выступ аккумуляторного блока с пазом в корпусе и задвиньте его на место. Устанавливайте блок до упора так, чтобы он зафиксировался на месте с небольшим щелчком. Если вы можете видеть красный индикатор на верхней части клавиши, адаптер аккумулятора не полностью установлен на месте.

⚠ВНИМАНИЕ: Обязательно устанавливайте аккумуляторный блок до конца, чтобы красный индикатор не был виден. В противном случае аккумуляторный блок может выпасть из инструмента и нанести травму вам или другим людям.

⚠ВНИМАНИЕ: Не прилагайте чрезмерных усилий при установке аккумуляторного блока. Если блок не двигается свободно, значит он вставлен неправильно.

ПРИМЕЧАНИЕ: В зависимости от условий эксплуатации и температуры окружающего воздуха индикация может незначительно отличаться от фактического значения.

Регулировка глубины пропила

⚠ВНИМАНИЕ: После регулировки глубины пропила всегда крепко затягивайте зажимной винт.

► **Рис.3:** 1. Зажимной винт 2. Направляющая глубины

Ослабьте зажимной винт на направляющей глубины и переместите основание вверх или вниз. Установив необходимую глубину резки, закрепите основание, затянув зажимной винт.

Система защиты аккумулятора

На инструменте предусмотрена система защиты аккумулятора. Она автоматически отключает питание двигателя для продления срока службы аккумулятора.

Инструмент автоматически остановится во время работы при возникновении указанных ниже ситуаций.

Перегрузка:

Из-за способа эксплуатации инструмент потребляет очень большое количество тока.

В этом случае выключите инструмент и прекратите работу, повлекшую перегрузку инструмента. Затем включите инструмент для перезапуска.

Если инструмент не включается, значит перегрелся аккумуляторный блок. В этом случае дайте аккумулятору остыть перед повторным включением инструмента.

Низкое напряжение аккумуляторной батареи:

Уровень оставшейся емкости аккумулятора слишком низкий, и инструмент не работает. При включении инструмента электродвигатель запускается и вскоре останавливается. В этом случае снимите и зарядите аккумулятор.

Резка под углом

► **Рис.4:** 1. Зажимной винт 2. Пластина индикатора наклона

Ослабьте зажимной винт на пластине индикатора наклона на лицевой стороне основания. Установите желаемый угол (0° - 45°), соответственно наклоня основание, и затем надежно затяните зажимной винт.

Наведение

► **Рис.5:** 1. Линия отреза





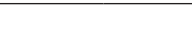
Для осуществления прямых распилов совместите положение А в передней части основания с линией отреза. Для резки под углом в 45° совместите положение В с линией отреза.

Индикация оставшегося заряда аккумулятора

Только для аккумуляторных блоков, номер модели которых заканчивается на "В"

► **Рис.2:** 1. Индикаторы 2. Кнопка проверки

Нажмите кнопку проверки на аккумуляторном блоке для проверки заряда. Индикаторы загорятся на несколько секунд.

Индикаторы	Уровень заряда
	
	от 75 до 100%
	от 50 до 75%
	от 25 до 50%
	от 0 до 25%

Действие выключателя

⚠ВНИМАНИЕ: Перед установкой аккумуляторного блока в инструмент обязательно убедитесь, что его триггерный переключатель нормально работает и возвращается в положение "OFF" (ВЫКЛ) при отпуске.

⚠ВНИМАНИЕ: Не давите сильно на триггерный переключатель, не нажав на рычаг разблокировки. Это может привести к поломке переключателя.

► **Рис.6:** 1. Рычаг разблокировки 2. Триггерный переключатель

Для предотвращения случайного нажатия триггерного переключателя инструмент оборудован рычагом разблокировки. Для включения инструмента сдвиньте рычаг разблокировки и потяните триггерный переключатель. Отпустите триггерный переключатель для остановки.

СБОРКА

⚠ВНИМАНИЕ: Перед проведением каких-либо работ с инструментом обязательно убедитесь, что инструмент отключен, а блок аккумулятора снят.

Установка или снятие алмазного диска

⚠ВНИМАНИЕ: Для установки или снятия алмазного диска используйте только ключ Makita.

⚠ВНИМАНИЕ: При установке алмазного диска надежно затяните болт.

⚠ВНИМАНИЕ: Обязательно устанавливайте алмазный диск так, чтобы стрелка на диске указывала в том же направлении, что и стрелка на крышке алмазного диска. При несоблюдении данной рекомендации диск может начать вращаться в противоположном направлении и стать причиной травмы.

► **Рис.7:** 1. Фиксатор вала 2. Шестигранный ключ 3. Затянуть 4. Ослабить

► **Рис.8:** 1. Болт с шестигранной головкой 2. Наружный фланец 3. Алмазный диск 4. Внутренний фланец 5. Стрелка

Для снятия алмазного диска надавите на фиксатор вала до упора, чтобы алмазный диск не мог вращаться, затем поверните болт с шестигранной головкой против часовой стрелки с помощью шестигранного ключа. Затем снимите болт с шестигранной головкой, внешний фланец и алмазный диск.

Для установки алмазного диска выполните операцию по снятию в обратном порядке. Обязательно устанавливайте алмазный диск так, чтобы стрелка на диске указывала в том же направлении, что и стрелка на крышке алмазного диска.
НАДЕЖНО ЗАТЯНИТЕ БОЛТ С ШЕСТИГРАННОЙ ГОЛОВКОЙ.

► **Рис.9:** 1. Болт с шестигранной головкой 2. Наружный фланец 3. Алмазный диск 4. Внутренний фланец 5. Выступ (большая часть)

ПРИМЕЧАНИЕ: При случайном снятии внутреннего фланца установите его таким образом, чтобы его выступ (большая часть) был обращен внутрь, как показано на рисунке.

Хранение шестигранного ключа

► **Рис.10:** 1. Шестигранный ключ

Когда шестигранный ключ не используется, храните его, как показано на рисунке, чтобы не потерять.

Установка системы подачи воды

Ослабьте винт А.

Сдвиньте держатель бачка к корпусу двигателя до упора. Паз в хомуте (деталь держателя бачка) должен быть расположен точно под головкой винта инструмента, как показано на рисунке.

Затем затяните винт А.

► **Рис.11:** 1. Винт А 2. Держатель бачка 3. Корпус двигателя 4. Паз хомута (деталь держателя бачка) 5. Головка винта инструмента

Установите бачок на держатель так, чтобы держатель оказался между уступом и точками. Соедините крышку на конце трубки со штуцером бачка.

Поверните бачок по часовой стрелке. Затем затяните винт В.

► **Рис.12:** 1. Бачок 2. Трубка 3. Винт В

Система подачи воды

⚠ВНИМАНИЕ: При наполнении бачка водой не допускайте попадания воды на инструмент.

При заполнении бачка водой кран подачи воды должен быть закрыт. Откройте крышку бачка и заполните его водой. Установите крышку на место.

► **Рис.13:** 1. Кран подачи воды 2. Закрыть 3. Открыть

► **Рис.14:** 1. Заглушка 2. Открыть

ЭКСПЛУАТАЦИЯ

⚠ВНИМАНИЕ: Этот инструмент можно использовать только на горизонтальных поверхностях.

⚠ВНИМАНИЕ: Во время работы надежно удерживайте деталь на устойчивом верстаке или столе.

⚠ВНИМАНИЕ: Не поворачивайте и не вдавливайте инструмент в распил, т. к. это может привести к перегрузке электродвигателя или разлому детали.

⚠ВНИМАНИЕ: Не используйте инструмент, установив алмазный диск так, чтобы он был направлен вверх или вбок.

⚠ВНИМАНИЕ: Данный инструмент поставляется с алмазным диском с промывкой, предназначенным для резки стекла и кафельной плитки. Во время резки обеспечьте подачу воды на алмазный диск.

⚠ВНИМАНИЕ: Если режущая способность алмазного диска начинает уменьшаться, то проведите его правку при помощи старого верстачного крупнозернистого шлифовального круга или бетонного блока. Выполняйте правку, слегка прижимая внешнюю кромку алмазного диска.

► **Рис.15**

Крепко держите инструмент. Установите плиту основания на обрабатываемую деталь так, чтобы диск не касался детали.

Затем включите инструмент и дождитесь, пока диск не наберет максимальную скорость вращения.

Подайте воду на диск, для чего отрегулируйте кран подачи воды таким образом, чтобы вода шла небольшой струей.

Затем перемещайте инструмент вперед по поверхности детали, ровно удерживая его в горизонтальной плоскости и аккуратно подавая его вперед до полного завершения резки. Строго выдерживайте прямую линию резки и подавайте инструмент вперед с постоянной скоростью.

Для выполнения точных, чистых распилов медленно подавайте инструмент вперед. (При резке листового стекла толщиной 5 мм (3/16 дюйма) выдерживайте скорость резки порядка 250 мм/мин (9-7/8 дюйма/мин). При резке плитки толщиной 10 мм (3/8 дюйма) выдерживайте скорость резки порядка 300 мм/мин (11-13/16 дюйма/мин). Во избежание разлома или растрескивания детали уменьшите скорость подачи инструмента перед завершением резки.

ПРИМЕЧАНИЕ: При низкой температуре блока аккумуляторов инструмент может работать не в полную мощность. В это время инструмент рекомендуется использовать для резания в легких режимах, пока блок аккумуляторов не нагреется до комнатной температуры. Затем инструмент может работать в полную мощность.

ПРИМЕЧАНИЕ: Перед началом работы убедитесь, что кран подачи воды закрыт.

ОБСЛУЖИВАНИЕ

ВНИМАНИЕ: Перед проведением проверки или работ по техобслуживанию всегда проверяйте, что инструмент выключен, а блок аккумуляторов снят.

ПРИМЕЧАНИЕ: Запрещается использовать бензин, растворители, спирт и другие подобные жидкости. Это может привести к обесцвечиванию, деформации и трещинам.

Для обеспечения БЕЗОПАСНОСТИ и НАДЕЖНОСТИ оборудования ремонт, любое другое техобслуживание или регулировку необходимо производить в уполномоченных сервис-центрах Makita или сервис-центрах предприятия с использованием только сменных частей производства Makita.

ДОПОЛНИТЕЛЬНЫЕ ПРИНАДЛЕЖНОСТИ

ВНИМАНИЕ: Данные принадлежности или приспособления рекомендуются для использования с инструментом Makita, указанным в настоящем руководстве. Использование других принадлежностей или приспособлений может привести к получению травмы. Используйте принадлежность или приспособление только по указанному назначению.

Если вам необходимо содействие в получении дополнительной информации по этим принадлежностям, свяжитесь с вашим сервис-центром Makita.

- Алмазные диски
- Шестигранный ключ
- Оригинальный аккумулятор и зарядное устройство Makita

ПРИМЕЧАНИЕ: Некоторые элементы списка могут входить в комплект инструмента в качестве стандартных приспособлений. Они могут отличаться в зависимости от страны.

Makita Jan-Baptist Vinkstraat 2, 3070, Belgium
Makita Corporation Anjo, Aichi, Japan

www.makita.com

885502-980
EN, SV, NO, FI,
LV, LT, ET, RU
20151221