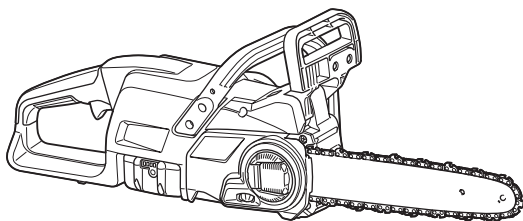




EN	Cordless Chain Saw	INSTRUCTION MANUAL	9
SV	Batteridrivnen kedjesåg	BRUKSANVISNING	22
NO	Batteridrevet kjedesag	BRUKSANVISNING	34
FI	Langaton ketjusaha	KÄYTTÖOHJE	46
DA	Akku-kædesav	BRUGSANVISNING	58
LV	Bezvada motorzāģis	LIETOŠANAS INSTRUKCIJA	71
LT	Belaidis grandininis pjūklas	NAUDOJIMO INSTRUKCIJA	83
ET	Juhtmeta kettsaag	KASUTUSJUHEND	96
RU	Цепная пила с питанием от аккумуляторной батареи	РУКОВОДСТВО ПО ЭКСПЛУАТАЦИИ	109

DUC307
DUC357
DUC407



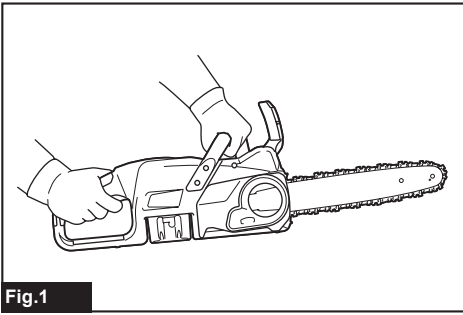


Fig.1

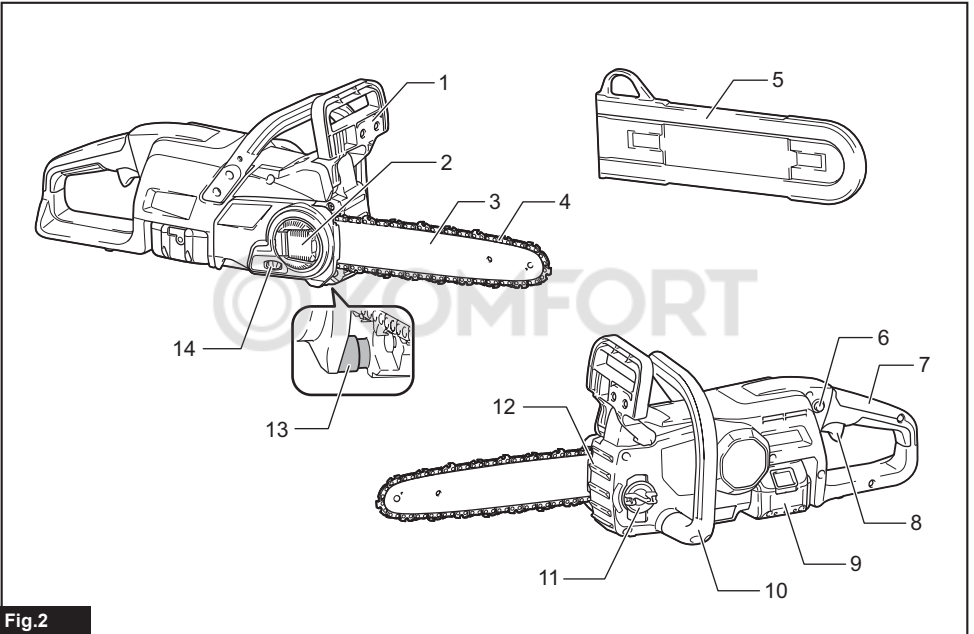


Fig.2

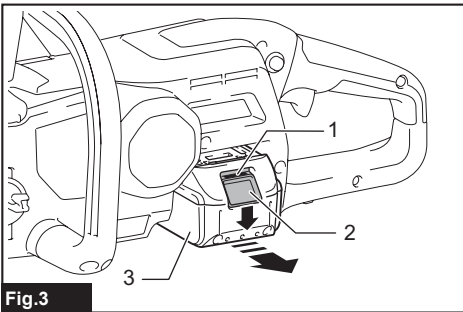


Fig.3

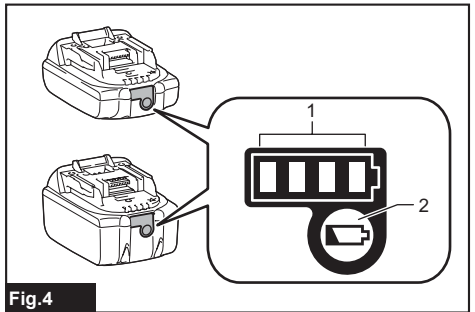
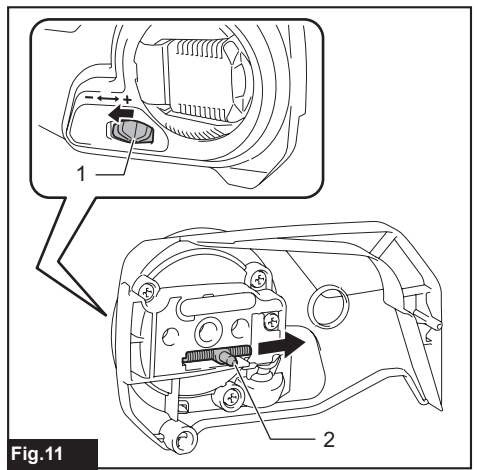
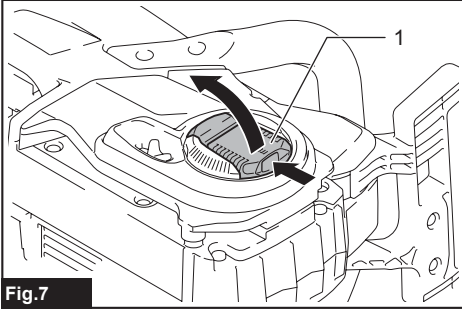
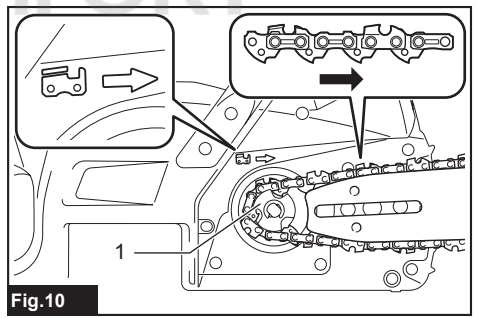
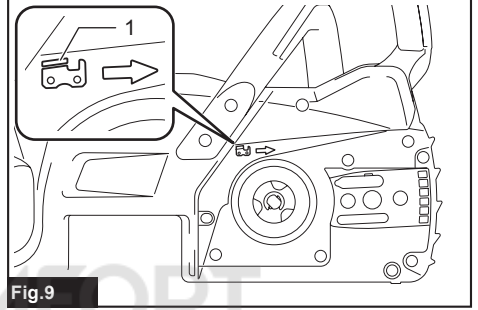
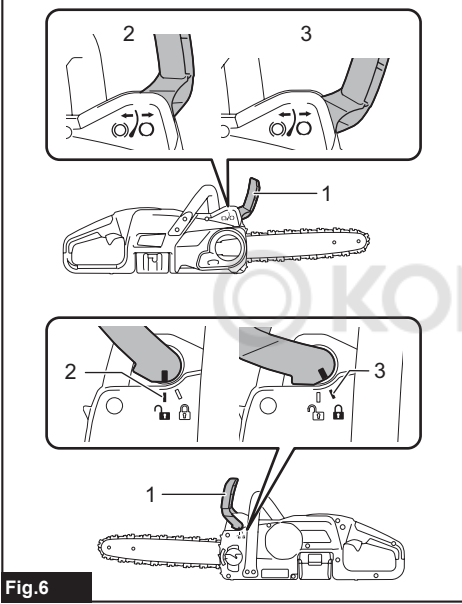
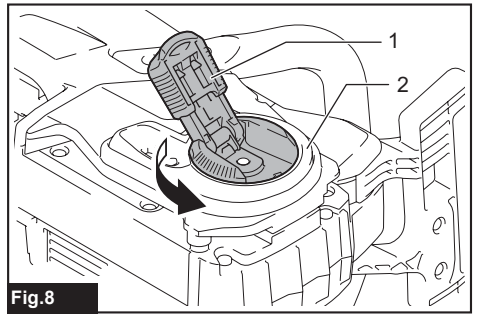
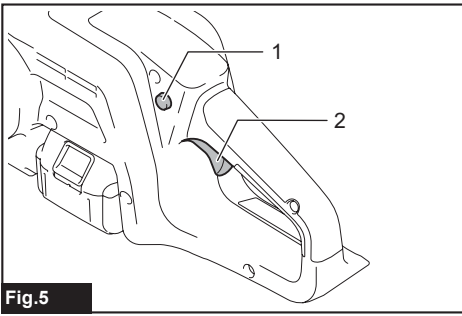


Fig.4



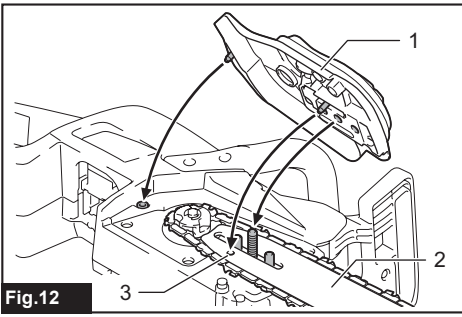


Fig.12

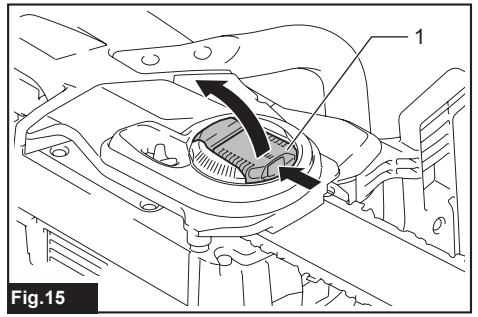


Fig.15

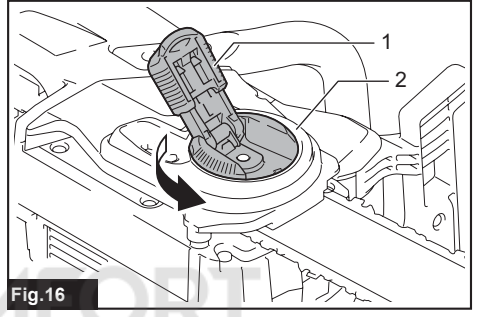
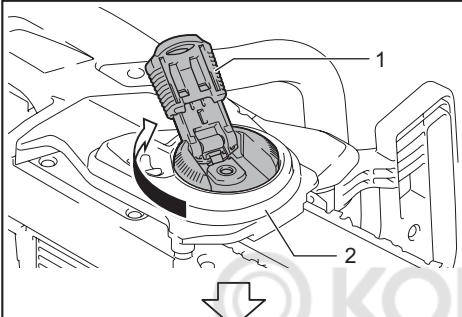


Fig.16

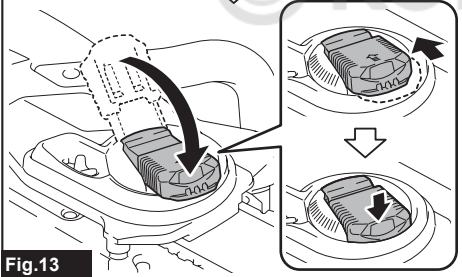


Fig.13

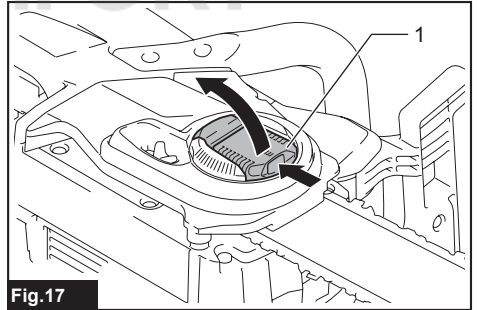


Fig.17

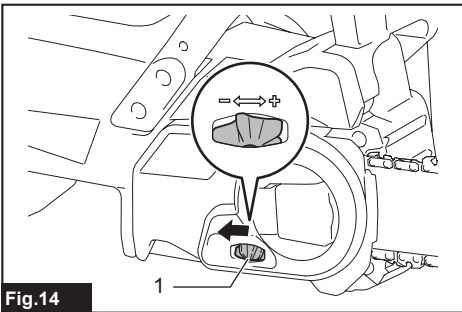


Fig.14

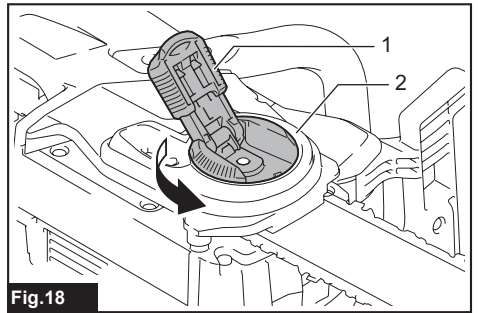


Fig.18

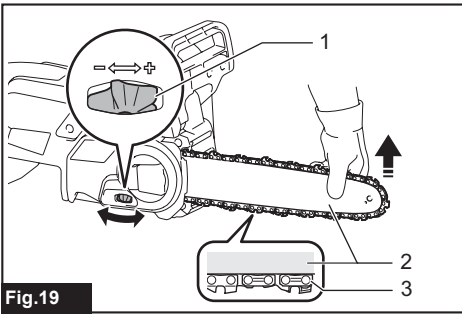


Fig.19

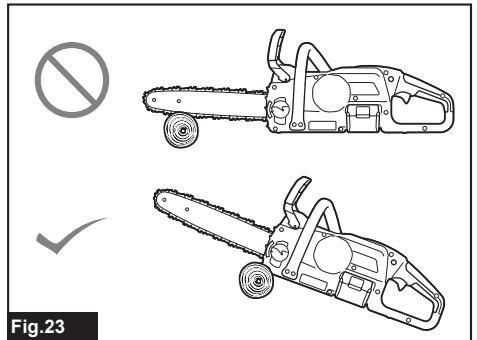


Fig.23

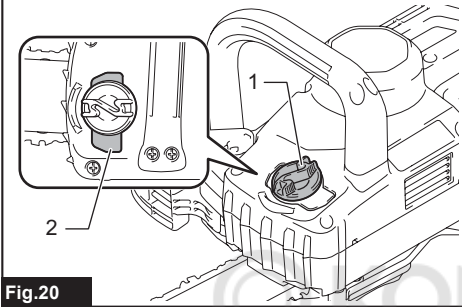


Fig.20

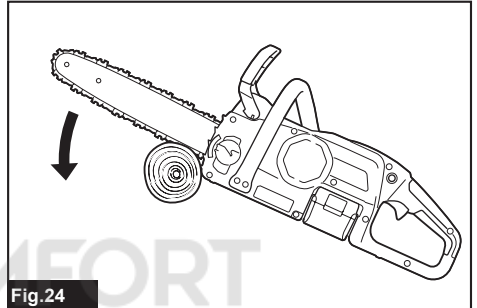


Fig.24

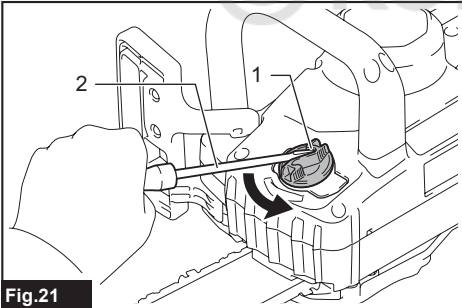


Fig.21

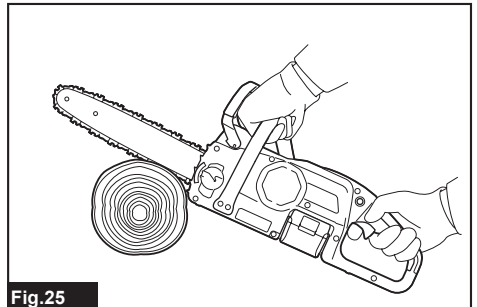


Fig.25

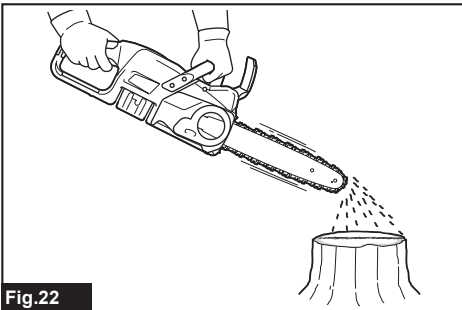


Fig.22

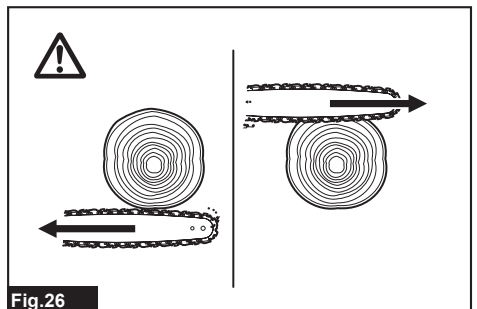


Fig.26

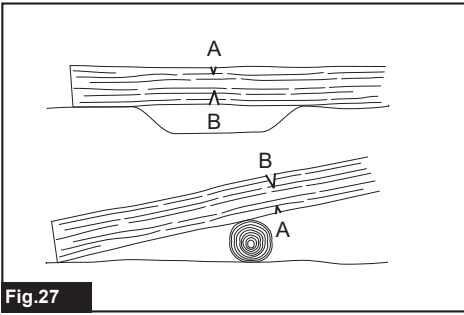


Fig.27

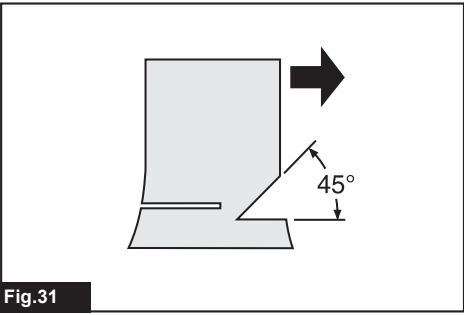


Fig.31

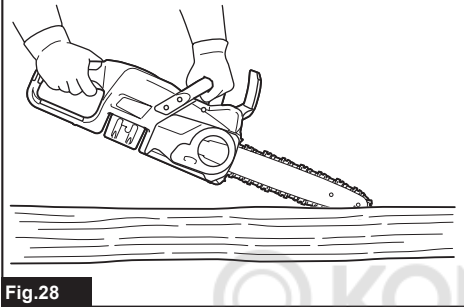


Fig.28

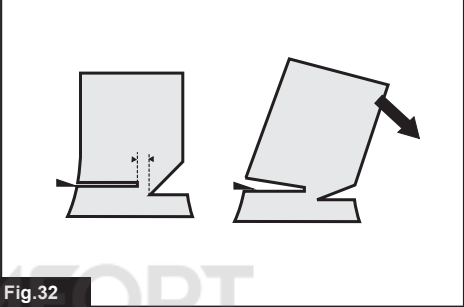


Fig.32

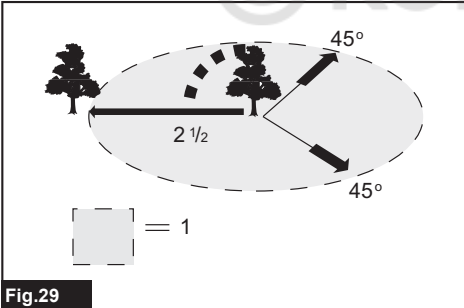


Fig.29

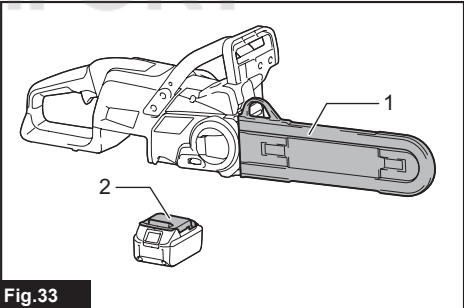


Fig.33

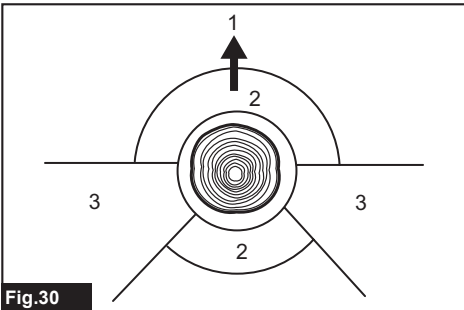


Fig.30

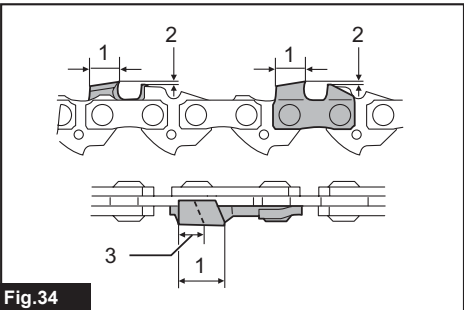


Fig.34

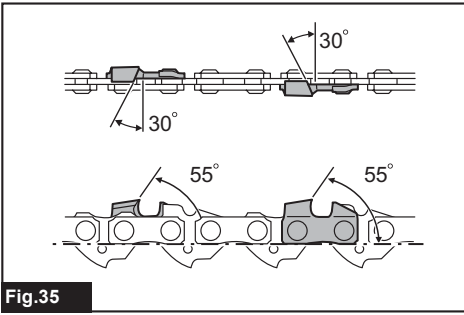


Fig.35

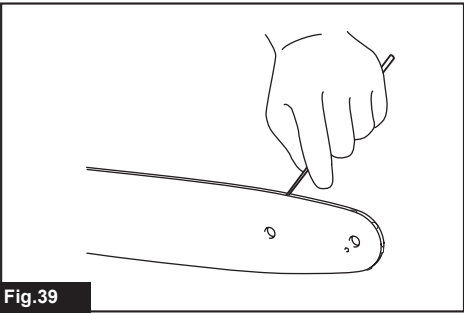


Fig.39

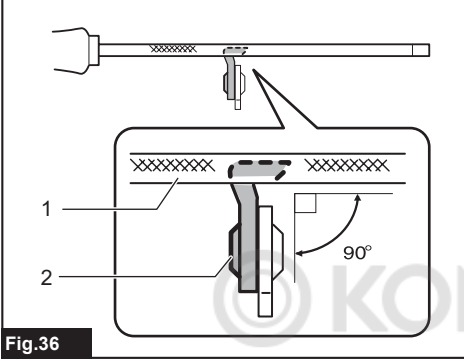


Fig.36

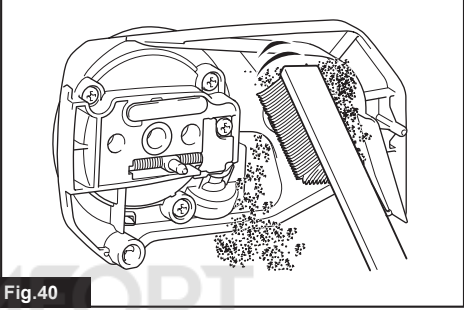


Fig.40

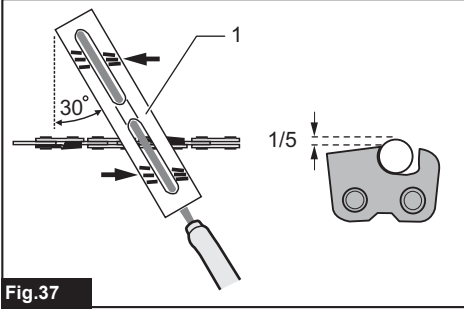


Fig.37

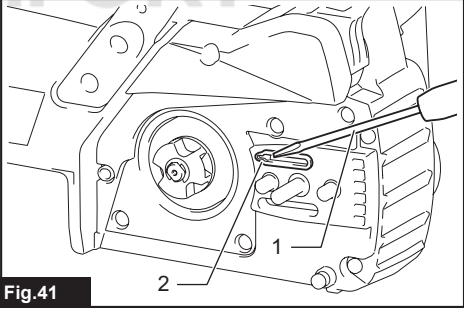


Fig.41

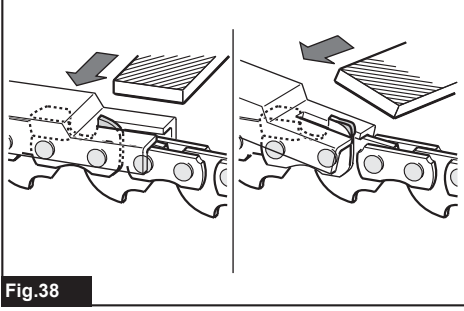


Fig.38

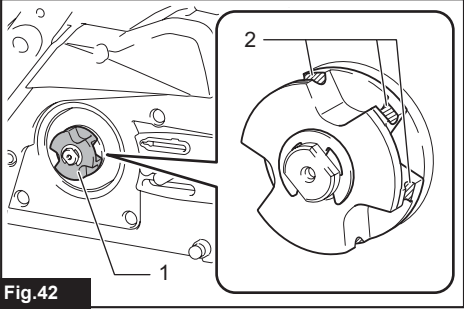


Fig.42

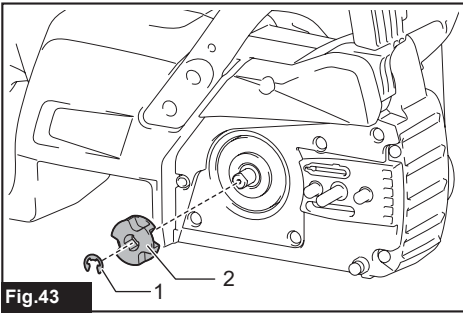


Fig.43

© KOMFORT

SPECIFICATIONS

Model:		DUC307	DUC357	DUC407
Overall length (without guide bar)		428 mm		
Rated voltage		D.C. 18 V		
Net weight	*1	2.9 kg		
	*2	4.2 - 4.3 kg		
Standard guide bar length		300 mm	350 mm	400 mm
Recommended guide bar length		300 - 400 mm		
Applicable saw chain type (refer to the table below)		90PX		
Sprocket	Number of teeth	6		
	Pitch	3/8"		
Chain speed		0 - 7.7 m/s (0 - 460 m/min)		
Chain oil tank volume		150 cm ³		

- Due to our continuing program of research and development, the specifications herein are subject to change without notice.
 - Specifications may differ from country to country.
- *1: Weight, without the saw chain, guide bar, guide bar cover, oil and battery cartridge(s).
 *2: The lightest and heaviest combination of weight, according to EPTA-Procedure 01/2014. The weight may differ depending on the attachment(s), including the battery cartridge(s).

Saw chain, guide bar, and sprocket combination

Saw chain type		90PX		
Number of drive links		46	52	56
Guide bar	Guide bar length	300 mm	350 mm	400 mm
	Cutting length	275 mm	330 mm	370 mm
	Pitch	3/8"		
	Gauge	1.1 mm		
	Type	Sprocket nose bar		
Sprocket	Number of teeth	6		
	Pitch	3/8"		

⚠WARNING: Use appropriate combination of the guide bar and saw chain. Otherwise personal injury may result.

Applicable battery cartridge and charger

Battery cartridge	BL1830B / BL1840B / BL1850B / BL1860B
Charger	DC18RC / DC18RD / DC18RE / DC18SD / DC18SE / DC18SF / DC18SH

- Some of the battery cartridges and chargers listed above may not be available depending on your region of residence.

⚠WARNING: Only use the battery cartridges and chargers listed above. Use of any other battery cartridges and chargers may cause injury and/or fire.

Recommended cord connected power source

Portable power pack	PDC01
---------------------	-------

- The cord connected power source(s) listed above may not be available depending on your region of residence.
- Before using the cord connected power source, read instruction and cautionary markings on them.

Symbols

The followings show the symbols which may be used for the equipment. Be sure that you understand their meaning before use.

	Read instruction manual.
	Wear safety glasses.
	Wear ear protection.
	Maximum permissible cut length
	Always use two hands when operating the chain saw.
	Beware of chain saw kickback and avoid contact with bar tip.
	Do not expose to moisture.
	Direction of chain travel
	Saw chain oil adjustment
	<p>Ni-MH Li-ion</p> <p>Only for EU countries Due to the presence of hazardous components in the equipment, waste electrical and electronic equipment, accumulators and batteries may have a negative impact on the environment and human health. Do not dispose of electrical and electronic appliances or batteries with household waste! In accordance with the European Directive on waste electrical and electronic equipment and on accumulators and batteries and waste accumulators and batteries, as well as their adaptation to national law, waste electrical equipment, batteries and accumulators should be stored separately and delivered to a separate collection point for municipal waste, operating in accordance with the regulations on environmental protection. This is indicated by the symbol of the crossed-out wheeled bin placed on the equipment.</p>
	Guaranteed sound power level according to EU Outdoor Noise Directive.
	Sound power level according to Australia NSW Noise Control Regulation.

Intended use

This chain saw is intended for sawing wood.

Noise

The typical A-weighted noise level determined according to EN62841-4-1:

Model DUC307

Sound pressure level (L_{pA}) : 86 dB (A)
Sound power level (L_{WA}) : 97 dB (A)
Uncertainty (K) : 3 dB (A)

Model DUC357

Sound pressure level (L_{pA}) : 86 dB(A)
Sound power level (L_{WA}) : 97 dB (A)
Uncertainty (K) : 3 dB(A)

Model DUC407

Sound pressure level (L_{pA}) : 86 dB(A)
Sound power level (L_{WA}) : 97 dB (A)
Uncertainty (K) : 3 dB(A)

NOTE: The declared noise emission value(s) has been measured in accordance with a standard test method and may be used for comparing one tool with another.

NOTE: The declared noise emission value(s) may also be used in a preliminary assessment of exposure.

⚠ WARNING: Wear ear protection.

⚠ WARNING: The noise emission during actual use of the power tool can differ from the declared value(s) depending on the ways in which the tool is used especially what kind of workpiece is processed.

⚠ WARNING: Be sure to identify safety measures to protect the operator that are based on an estimation of exposure in the actual conditions of use (taking account of all parts of the operating cycle such as the times when the tool is switched off and when it is running idle in addition to the trigger time).

Vibration

The vibration total value (tri-axial vector sum) determined according to EN62841-4-1:

Model DUC307

Work mode: cutting wood
Vibration emission ($a_{h,W}$) : 5.4 m/s²
Uncertainty (K) : 1.5 m/s²

Model DUC357

Work mode: cutting wood
Vibration emission ($a_{h,W}$) : 5.4 m/s²
Uncertainty (K) : 1.5 m/s²

Model DUC407

Work mode: cutting wood
Vibration emission ($a_{h,W}$) : 5.4 m/s²
Uncertainty (K) : 1.5 m/s²

NOTE: The declared vibration total value(s) has been measured in accordance with a standard test method and may be used for comparing one tool with another.

NOTE: The declared vibration total value(s) may also be used in a preliminary assessment of exposure.

⚠️WARNING: The vibration emission during actual use of the power tool can differ from the declared value(s) depending on the ways in which the tool is used especially what kind of workpiece is processed.

⚠️WARNING: Be sure to identify safety measures to protect the operator that are based on an estimation of exposure in the actual conditions of use (taking account of all parts of the operating cycle such as the times when the tool is switched off and when it is running idle in addition to the trigger time).

EC Declaration of Conformity

For European countries only

The EC declaration of conformity is included as Annex A to this instruction manual.

SAFETY WARNINGS

General power tool safety warnings

⚠️WARNING: Read all safety warnings, instructions, illustrations and specifications provided with this power tool. Failure to follow all instructions listed below may result in electric shock, fire and/or serious injury.

Save all warnings and instructions for future reference.

The term "power tool" in the warnings refers to your mains-operated (corded) power tool or battery-operated (cordless) power tool.

General chain saw safety warnings

1. **Keep all parts of the body away from the saw chain when the chain saw is operating. Before you start the chain saw, make sure the saw chain is not contacting anything.** A moment of inattention while operating chain saws may cause entanglement of your clothing or body with the saw chain.
2. **Always hold the chain saw with your right hand on the rear handle and your left hand on the front handle.** Holding the chain saw with a reversed hand configuration increases the risk of personal injury and should never be done.
3. **Hold the chain saw by insulated gripping surfaces only, because the saw chain may contact hidden wiring.** Saw chains contacting a "live" wire may make exposed metal parts of the chain saw "live" and could give the operator an electric shock.
4. **Wear eye protection. Further protective equipment for hearing, head, hands, legs and feet is recommended.** Adequate protective equipment will reduce personal injury from flying debris or accidental contact with the saw chain.

5. **Do not operate a chain saw in a tree, on a ladder, from a rooftop, or any unstable support.** Operation of a chain saw in this manner could result in serious personal injury.
6. **Always keep proper footing and operate the chain saw only when standing on fixed, secure and level surface.** Slippery or unstable surfaces may cause a loss of balance or control of the chain saw.
7. **When cutting a limb that is under tension, be alert for spring back.** When the tension in the wood fibres is released, the spring loaded limb may strike the operator and/or throw the chain saw out of control.
8. **Use extreme caution when cutting brush and saplings.** The slender material may catch the saw chain and be whipped toward you or pull you off balance.
9. **Carry the chain saw by the front handle with the chain saw switched off and away from your body. When transporting or storing the chain saw, always fit the guide bar cover.** Proper handling of the chain saw will reduce the likelihood of accidental contact with the moving saw chain.
10. **Follow instructions for lubricating, chain tensioning and changing the bar and chain.** Improperly tensioned or lubricated chain may either break or increase the chance for kickback.
11. **Cut wood only. Do not use chain saw for purposes not intended. For example: do not use chain saw for cutting metal, plastic, masonry or non-wood building materials.** Use of the chain saw for operations different than intended could result in a hazardous situation.
12. **Do not attempt to fell a tree until you have an understanding of the risks and how to avoid them.** Serious injury could occur to the operator or bystanders while felling a tree.
13. **Causes and operator prevention of kickback:** Kickback may occur when the nose or tip of the guide bar touches an object, or when the wood closes in and pinches the saw chain in the cut. Tip contact in some cases may cause a sudden reverse reaction, kicking the guide bar up and back towards the operator. Pinching the saw chain along the top of the guide bar may push the guide bar rapidly back towards the operator. Either of these reactions may cause you to lose control of the saw which could result in serious personal injury. Do not rely exclusively upon the safety devices built into your saw. As a chain saw user, you should take several steps to keep your cutting jobs free from accident or injury. Kickback is the result of chain saw misuse and/or incorrect operating procedures or conditions and can be avoided by taking proper precautions as given below:
 - **Maintain a firm grip, with thumbs and fingers encircling the chain saw handles, with both hands on the saw and position your body and arm to allow you to resist kickback forces.** Kickback forces can be controlled by the operator, if proper precautions are taken. Do not let go of the chain saw.

► Fig.1

- **Do not overreach and do not cut above shoulder height.** This helps prevent unintended tip contact and enables better control of the chain saw in unexpected situations.
 - **Only use replacement guide bars and saw chains specified by the manufacturer.** Incorrect replacement guide bars and saw chains may cause chain breakage and/or kickback.
 - **Follow the manufacturer's sharpening and maintenance instructions for the saw chain.** Decreasing the depth gauge height can lead to increased kickback.
14. **Follow all instructions when clearing jammed material, storing or servicing the chain saw. Make sure the switch is off and the battery pack is removed.** Unexpected actuation of the chain saw while clearing jammed material or servicing may result in serious personal injury.

Additional Safety Instructions

Personal protective equipment

1. **Clothing must be close-fitting, but must not obstruct mobility.**
2. **Wear the following protective clothing during work:**
 - A tested safety helmet, if a hazard is presented by falling branches or similar;
 - A face mask or goggles;
 - Suitable ear protection (ear muffs, custom or mouldable ear plugs). Octave brand analysis upon request.
 - Firm leather safety gloves;
 - Long trousers manufactured from strong fabric;
 - Protective dungarees of cut-resistant fabric;
 - Safety shoes or boots with non-slip soles, steel toes, and cut-resistant fabric lining;
 - A breathing mask, when carrying out work which produces dust (e.g. sawing dry wood).

Operation

1. **Before starting work, check that the chain saw is in proper working order and that its condition complies with the safety regulations. Check in particular that:**
 - The chain brake is working properly;
 - The run-down brake is working properly;
 - The bar and the sprocket cover are fitted correctly;
 - The chain has been sharpened and tensioned in accordance with the regulations.
2. **Do not start the chain saw with the chain cover being installed on it.** Starting the chain saw with the chain cover being installed on it may cause the chain cover to be thrown out forward resulting in personal injury and damage to objects around the operator.

Electrical and battery safety

1. **Avoid dangerous environment. Don't use the tool in dump or wet locations or expose it to rain.** Water entering the tool will increase the risk of electric shock.
2. **Do not dispose of the battery(ies) in a fire.** The cell may explode. Check with local codes for possible special disposal instructions.
3. **Do not open or mutilate the battery(ies).** Released electrolyte is corrosive and may cause damage to the eyes or skin. It may be toxic if swallowed.
4. **Do not charge battery in rain, or in wet locations.**
5. **Do not charge the battery outdoors.**
6. **Do not handle charger, including charger plug, and charger terminals with wet hands.**
7. **Do not replace the battery in the rain.**
8. **Do not replace the battery with wet hands.**
9. **Do not leave the battery in the rain, nor charge, use, or store the battery in a damp or wet place.**
10. **Do not wet the terminal of battery with liquid such as water, or submerge the battery.** If the terminal gets wet or liquid enters inside of battery, the battery may be short circuited and there is a risk of overheat, fire, or explosion.
11. **After removing the battery from the machine or charger, be sure to attach the battery cover to the battery and store it in a dry place.**
12. **If the battery cartridge gets wet, drain the water inside and then wipe it with a dry cloth. Dry the battery cartridge completely in a dry place before use.**

SAVE THESE INSTRUCTIONS.

⚠WARNING: DO NOT let comfort or familiarity with product (gained from repeated use) replace strict adherence to safety rules for the subject product. MISUSE or failure to follow the safety rules stated in this instruction manual may cause serious personal injury.

Important safety instructions for battery cartridge

1. **Before using battery cartridge, read all instructions and cautionary markings on (1) battery charger, (2) battery, and (3) product using battery.**
2. **Do not disassemble or tamper with the battery cartridge.** It may result in a fire, excessive heat, or explosion.
3. **If operating time has become excessively shorter, stop operating immediately. It may result in a risk of overheating, possible burns and even an explosion.**
4. **If electrolyte gets into your eyes, rinse them out with clear water and seek medical attention right away. It may result in loss of your eyesight.**

5. **Do not short the battery cartridge:**
 - (1) **Do not touch the terminals with any conductive material.**
 - (2) **Avoid storing battery cartridge in a container with other metal objects such as nails, coins, etc.**
 - (3) **Do not expose battery cartridge to water or rain.**
A battery short can cause a large current flow, overheating, possible burns and even a breakdown.
6. **Do not store and use the tool and battery cartridge in locations where the temperature may reach or exceed 50 °C (122 °F).**
7. **Do not incinerate the battery cartridge even if it is severely damaged or is completely worn out. The battery cartridge can explode in a fire.**
8. **Do not nail, cut, crush, throw, drop the battery cartridge, or hit against a hard object to the battery cartridge.** Such conduct may result in a fire, excessive heat, or explosion.
9. **Do not use a damaged battery.**
10. **The contained lithium-ion batteries are subject to the Dangerous Goods Legislation requirements.**
 For commercial transports e.g. by third parties, forwarding agents, special requirement on packaging and labeling must be observed.
 For preparation of the item being shipped, consulting an expert for hazardous material is required.
 Please also observe possibly more detailed national regulations.
 Tape or mask off open contacts and pack up the battery in such a manner that it cannot move around in the packaging.
11. **When disposing the battery cartridge, remove it from the tool and dispose of it in a safe place. Follow your local regulations relating to disposal of battery.**
12. **Use the batteries only with the products specified by Makita.** Installing the batteries to non-compliant products may result in a fire, excessive heat, explosion, or leak of electrolyte.
13. **If the tool is not used for a long period of time, the battery must be removed from the tool.**
14. **During and after use, the battery cartridge may take on heat which can cause burns or low temperature burns. Pay attention to the handling of hot battery cartridges.**
15. **Do not touch the terminal of the tool immediately after use as it may get hot enough to cause burns.**
16. **Do not allow chips, dust, or soil stuck into the terminals, holes, and grooves of the battery cartridge.** It may cause heating, catching fire, burst and malfunction of the tool or battery cartridge, resulting in burns or personal injury.
17. **Unless the tool supports the use near high-voltage electrical power lines, do not use the battery cartridge near high-voltage electrical power lines.** It may result in a malfunction or breakdown of the tool or battery cartridge.
18. **Keep the battery away from children.**

SAVE THESE INSTRUCTIONS.

⚠CAUTION: Only use genuine Makita batteries. Use of non-genuine Makita batteries, or batteries that have been altered, may result in the battery bursting causing fires, personal injury and damage. It will also void the Makita warranty for the Makita tool and charger.

Tips for maintaining maximum battery life

1. **Charge the battery cartridge before completely discharged. Always stop tool operation and charge the battery cartridge when you notice less tool power.**
2. **Never recharge a fully charged battery cartridge. Overcharging shortens the battery service life.**
3. **Charge the battery cartridge with room temperature at 10 °C - 40 °C (50 °F - 104 °F). Let a hot battery cartridge cool down before charging it.**
4. **When not using the battery cartridge, remove it from the tool or the charger.**
5. **Charge the battery cartridge if you do not use it for a long period (more than six months).**

PARTS DESCRIPTION

► Fig.2

1	Front hand guard	2	Lever	3	Guide bar
4	Saw chain	5	Guide bar cover	6	Lock-off button
7	Rear handle	8	Switch trigger	9	Battery cartridge
10	Front handle	11	Oil tank cap	12	Spike bumper
13	Chain catcher	14	Adjusting dial	-	-

FUNCTIONAL DESCRIPTION

CAUTION: Always be sure that the tool is switched off and the battery cartridge is removed before adjusting or checking function on the tool.

Installing or removing battery cartridge

CAUTION: Always switch off the tool before installing or removing of the battery cartridge.

CAUTION: Hold the tool and the battery cartridge firmly when installing or removing battery cartridge. Failure to hold the tool and the battery cartridge firmly may cause them to slip off your hands and result in damage to the tool and battery cartridge and a personal injury.

► **Fig.3:** 1. Red indicator 2. Button 3. Battery cartridge

To remove the battery cartridge, slide it from the tool while sliding the button on the front of the cartridge.

To install the battery cartridge, align the tongue on the battery cartridge with the groove in the housing and slip it into place. Insert it all the way until it locks in place with a little click. If you can see the red indicator as shown in the figure, it is not locked completely.

CAUTION: Always install the battery cartridge fully until the red indicator cannot be seen. If not, it may accidentally fall out of the tool, causing injury to you or someone around you.

CAUTION: Do not install the battery cartridge forcibly. If the cartridge does not slide in easily, it is not being inserted correctly.

Indicating the remaining battery capacity

Only for battery cartridges with the indicator

► **Fig.4:** 1. Indicator lamps 2. Check button

Press the check button on the battery cartridge to indicate the remaining battery capacity. The indicator lamps light up for a few seconds.

Indicator lamps			Remaining capacity
Lighted	Off	Blinking	
■	□	◐	75% to 100%
■ ■ ■ ■			
■ ■ ■	□		50% to 75%
■ ■	□ □		25% to 50%
■	□ □ □		0% to 25%
◐	□ □ □		Charge the battery.
■ ■ □ □	↑ ↓	□ □ ■ ■	The battery may have malfunctioned.

NOTE: Depending on the conditions of use and the ambient temperature, the indication may differ slightly from the actual capacity.

NOTE: The first (far left) indicator lamp will blink when the battery protection system works.

Tool / battery protection system

The tool is equipped with a tool/battery protection system. This system automatically cuts off power to the motor to extend tool and battery life. The tool will automatically stop during operation if the tool or battery is placed under one of the following conditions:

Overload protection

When the tool or battery is operated in a manner that causes it to draw an abnormally high current, the tool automatically stops. In this situation, turn the tool off and stop the application that caused the tool to become overloaded. Then turn the tool on to restart.

Overheat protection

When the tool or battery is overheated, the tool stops automatically. In this case, let the tool and battery cool before turning the tool on again.

NOTE: In high temperature environment, the overheat protection likely to work and the tool stops automatically.

Overdischarge protection

When the battery capacity is not enough, the tool stops automatically. In this case, remove the battery from the tool and charge the battery.

Protections against other causes

Protection system is also designed for other causes that could damage the tool and allows the tool to stop automatically. Take all the following steps to clear the causes, when the tool has been brought to a temporary halt or stop in operation.

1. Turn the tool off, and then turn it on again to restart.
2. Charge the battery(ies) or replace it/them with recharged battery(ies).
3. Let the machine and battery(ies) cool down.

If no improvement can be found by restoring protection system, then contact your local Makita Service Center.

NOTICE: If the tool stops due to a cause not described above, refer to the section for troubleshooting.

Switch action

⚠ WARNING: For your safety, this tool is equipped with the lock-off button which prevents the tool from unintended starting. Never use the tool if it starts when you pull the switch trigger without pressing the lock-off button. Ask your local Makita Service Center for repairs.

⚠ WARNING: Never disable the lock function or tape down the lock-off button.

⚠ CAUTION: Before installing the battery cartridge into the tool, always check to see that the switch trigger actuates properly and returns to the "OFF" position when released.

NOTICE: Do not pull the switch trigger forcibly without pressing the lock-off button. The switch may break.

► **Fig.5:** 1. Lock-off button 2. Switch trigger

To prevent the switch trigger from being accidentally pulled, a lock-off button is provided. To start the tool, press the lock-off button and pull the switch trigger. Release the switch trigger to stop.

Checking the chain brake

⚠ CAUTION: Hold the chain saw with both hands when switching it on. Hold the rear handle with your right hand, the front handle with your left. The bar and the chain must not be in contact with any object.

⚠ CAUTION: Should the saw chain not stop immediately when this test is performed, the saw may not be used under any circumstances. Consult our authorized service center.

1. Press the lock-off button, then pull the switch trigger. The saw chain starts immediately.
2. Push the front hand guard forwards with the back of your hand. Make sure that the chain saw comes to an immediate standstill.

► **Fig.6:** 1. Front hand guard 2. Unlocked position
3. Locked position

Checking the run-down brake

⚠ CAUTION: If the saw chain does not stop within one second in this test, stop using the chain saw and consult our authorized service center.

Run the chain saw then release the switch trigger completely. The saw chain must come to a standstill within one second.

ASSEMBLY

⚠ CAUTION: Always be sure that the tool is switched off and the battery cartridge is removed before carrying out any work on the tool.

⚠ CAUTION: Do not touch the saw chain with bare hands. Always wear gloves when handling the saw chain.

Installing or removing saw chain

⚠ CAUTION: The saw chain and the guide bar are still hot just after the operation. Let them cool down enough before carrying out any work on the tool.

⚠ CAUTION: Carry out the procedure of installing or removing saw chain in a clean place free from sawdust and the like.

Installing the saw chain

To install the saw chain, perform the following steps:

1. Release the chain brake by pulling the front hand guard.
2. Pull the lever up while pressing its edge.

► **Fig.7:** 1. Lever

3. Turn the lever counterclockwise until the sprocket cover comes off.

► **Fig.8:** 1. Lever 2. Sprocket cover

4. Remove the sprocket cover.
5. Check the direction of the saw chain. Match the direction of the saw chain with that of the mark on the chain saw body.

► **Fig.9:** 1. Mark on chain saw body

6. Fit one end of the saw chain on the top of the guide bar.

7. Fit the other end of the saw chain around the sprocket, then attach the guide bar to the chain saw body.

► **Fig.10:** 1. Sprocket

8. Turn the adjusting dial to "-" direction to slide the adjusting pin in the direction of arrow.

► **Fig.11:** 1. Adjusting dial 2. Adjusting pin

9. Place the sprocket cover on the chain saw so that the adjusting pin is positioned in a small hole on the guide bar.

► **Fig.12:** 1. Sprocket cover 2. Guide bar 3. Hole

10. Turn the lever clockwise fully and turn back the lever a little to keep looseness for adjusting the chain tension.

11. Adjust the chain tension. Refer to the section for adjusting saw chain tension for procedure.

12. Turn the lever clockwise until the sprocket cover is secured then return it to the original position.

► **Fig.13:** 1. Lever 2. Sprocket cover

Removing the saw chain

To remove the saw chain, perform the following steps:

1. Release the chain brake by pulling the front hand guard.
2. Turn the adjusting dial to "-" direction to release the saw chain tension.
▶ **Fig.14:** 1. Adjusting dial
3. Pull the lever up while pressing its edge.
▶ **Fig.15:** 1. Lever
4. Turn the lever counterclockwise until the sprocket cover comes off.
▶ **Fig.16:** 1. Lever 2. Sprocket cover
5. Remove the sprocket cover then remove the saw chain and guide bar from the chain saw body.

Adjusting saw chain tension

CAUTION: Carry out the procedure of installing or removing saw chain in a clean place free from sawdust and the like.

CAUTION: Do not tighten the saw chain too much. Excessively high tension of saw chain may cause breakage of saw chain, wear of the guide bar and breakage of the adjusting dial.

CAUTION: A chain which is too loose can jump off the bar and it may cause an injury accident.

The saw chain may become loose after many hours of use. From time to time check the saw chain tension before use.

1. Pull the lever up while pressing its edge.
▶ **Fig.17:** 1. Lever
2. Turn the lever counterclockwise a little to loosen the sprocket cover lightly.
▶ **Fig.18:** 1. Lever 2. Sprocket cover
3. Lift up the guide bar tip slightly and adjust the chain tension. Turn the adjusting dial to the "-" direction to loosen, turn to the "+" direction to tighten. Tighten the saw chain until the lower side of the saw chain fits in the guide bar rail as illustrated.
▶ **Fig.19:** 1. Adjusting dial 2. Guide bar 3. Saw chain
4. Keep holding the guide bar lightly and tighten the sprocket cover. Make sure that the saw chain does not loose at the lower side.
5. Return the lever to the original position.

Make sure the saw chain fits snugly against the lower side of the bar.

OPERATION

Lubrication

CAUTION: Do not operate the chain saw when the tank is empty. Replenish the oil in due time before the tank is empty.

CAUTION: Prevent the oil from coming into contact with the skin and eyes. Contact with the eyes causes irritation. In the event of eye contact, flush the affected eye immediately with clear water, then consult a doctor at once.

CAUTION: Never use waste oil. Waste oil contains carcinogenic substances. The contaminants in waste oil cause accelerated wear of the oil pump, the bar and the chain. Waste oil is harmful to the environment.

NOTICE: When the chain saw is used for the first time, it may take up to two minutes for the saw chain oil to begin its lubricating effect upon the saw mechanism. Run the saw without load until it does so.

NOTICE: When filling the chain oil for the first time, or refilling the tank after it has been completely emptied, add oil up to the bottom edge of the filler neck. The oil delivery may otherwise be impaired.

NOTICE: Use the saw chain oil exclusively for Makita chain saws or equivalent oil available in the market.

NOTICE: Never use oil including dust and particles or volatile oil.

NOTICE: When pruning trees, use botanical oil. Mineral oil may harm trees.

NOTICE: Before the cutting operation, make sure that the provided oil tank cap is screwed in place.

Saw chain is automatically lubricated when the tool is in operation. Check the amount of remaining oil in the oil tank periodically through the oil inspection window.

▶ **Fig.20:** 1. Oil tank cap 2. Oil inspection window

To fill the oil, perform the following steps:

1. Clean the area around the oil tank cap thoroughly to prevent any dirt from entering the oil tank.
2. Lay the chain saw on its side and remove the oil tank cap.
3. Fill the oil tank with the oil. The proper amount of oil is 150 ml.
4. Screw the oil tank cap firmly back in place.
5. Wipe away any spilt chain oil carefully.

NOTE: If it is difficult to remove the oil tank cap, insert the slotted screwdriver into the slot of the oil tank cap, and then remove the oil tank cap by turning it counterclockwise.

▶ **Fig.21:** 1. Slot 2. Slotted screwdriver

After refilling, hold the chain saw away from the tree. Start it and wait until lubrication on saw chain is adequate.

▶ **Fig.22**

Working with the chain saw

CAUTION: The first time user should, as a minimum practice, do cutting logs on a saw-horse or cradle.

CAUTION: When sawing pre-cut timber, use a safe support (saw horse or cradle). Do not steady the workpiece with your foot, and do not allow anyone else to hold or steady it.

CAUTION: Secure round pieces against rotation.

CAUTION: Keep all parts of the body away from the saw chain when the motor is operating.

CAUTION: Hold the chain saw firmly with both hands when the motor is running.

CAUTION: Do not overreach. Keep proper footing and balance at all times.

NOTICE: Never toss or drop the tool.

NOTICE: Do not cover the vents of the tool.

Bring the bottom edge of the chain saw body into contact with the branch to be cut before switching on. Otherwise it may cause the guide bar to wobble, resulting in injury to operator. Saw the wood to be cut by just moving it down by using the weight of the chain saw.

► Fig.23

If you cannot cut the timber right through with a single stroke:

Apply light pressure to the handle and continue sawing and draw the chain saw back a little; then apply the spike bumper a little lower and finish the cut by raising the handle.

► Fig.24

Bucking

1. Rest the bottom edge of the chain saw body on the wood to be cut.

► Fig.25

2. With the saw chain running, saw into the wood while using the rear handle to raise the saw and the front one to guide it. Use the spike bumper as a pivot.

3. Continue the cut by applying slight pressure to the front handle, easing the saw back slightly. Move the spike bumper further down the timber and raise the front handle again.

NOTICE: When making several cuts, switch the chain saw off between cuts.

CAUTION: If the upper edge of the bar is used for cutting, the chain saw may be deflected in your direction if the chain becomes trapped. For this reason, cut with the lower edge, so that the saw will be deflected away from your body.

► Fig.26

When you cut a wood under tension, cut the pressured side (A) first. Then make the final cut from the tensioned side (B). This prevents the bar from becoming trapped.

► Fig.27

Limbing

CAUTION: Limbing may only be performed by trained persons. A hazard is presented by the risk of kickback.

When limbing, support the chain saw on the trunk if possible. Do not cut with the tip of the bar, as this presents a risk of kickback.

Pay particular attention to branches under tension. Do not cut unsupported branches from below.

Do not stand on the felled trunk when limbing.

Burrowing and parallel-to-grain cuts

CAUTION: Burrowing and parallel-to-grain cuts may only be carried out by persons with special training. The possibility of kickback presents a risk of injury.

Perform parallel-to-grain cuts at as shallow an angle as possible. Take an extra caution when carrying out the cut as the spike bumper cannot be used.

► Fig.28

Felling

CAUTION: Felling work may only be performed by trained persons. The work is hazardous.

Observe local regulations if you wish to fell a tree.

► Fig.29: 1. Felling area

- Before starting felling work, ensure that:
 - Only persons involved in the felling operation are in the vicinity;
 - Any person involved has an unhindered path of retreat through a range of approximately 45° either side of the felling axis. Consider the additional risk of tripping over electrical cables;
 - The base of the trunk is free of foreign objects, roots and ranches;
 - No persons or objects are present over a distance of 2 1/2 tree lengths in the direction in which the tree will fall.
 - Consider the following with respect to each tree:
 - Direction of lean;
 - Loose or dry branches;
 - Height of the tree;
 - Natural overhang;
 - Whether or not the tree is rotten.
 - Consider the wind speed and direction. Do not carry out felling work if the wind is gusting strongly.
 - Trimming of root swellings: Begin with the largest swellings. Make the vertical cut first, then the horizontal cut.
 - Stand to the side of the falling tree. Keep an area clear to the rear of the falling tree up to an angle of 45° either side of the tree axis (refer to the "felling area" figure). Pay attention to falling branches.
 - An escape path should be planned and cleared as necessary before cuts are started. The escape path should extend back and diagonally to the rear of the expected line of fall as illustrated in figure.
- Fig.30: 1. Felling direction 2. Danger zone 3. Escape route

When felling trees, follow the procedures below:

1. Cut a scarf as close to the ground as possible. First make the horizontal cut to a depth of 1/5 - 1/3 of the trunk diameter. Do not make the scarf too large. Then make the diagonal cut.

► Fig.31

NOTE: The scarf determines the direction in which the tree will fall, and guides it. It is made on the side towards which the tree is to fall.

2. Make the back cut a little higher than the base cut of the scarf. The back cut must be exactly horizontal. Leave approximately 1/10 of the trunk diameter between the back cut and the scarf. The wood fibers in the uncut trunk portion act as a hinge. Insert wedges into the back cut in time.

► Fig.32

⚠ WARNING: Do not cut right through the fibers under any circumstances. The tree will otherwise fall unchecked.

NOTICE: Only plastic or aluminum wedges may be used to keep the back cut open. The use of iron wedges is prohibited.

Carrying tool

Before carrying the tool, always apply the chain brake and remove the battery cartridge from the tool. Then attach the guide bar cover. Also cover the battery cartridge with the battery cover.

► Fig.33: 1. Guide bar cover 2. Battery cover

MAINTENANCE

⚠ CAUTION: Always be sure that the tool is switched off and the battery cartridge is removed before attempting to perform inspection or maintenance.

⚠ CAUTION: Always wear gloves when performing any inspection or maintenance.

NOTICE: Never use gasoline, benzine, thinner, alcohol or the like. Discoloration, deformation or cracks may result.

To maintain product SAFETY and RELIABILITY, repairs, any other maintenance or adjustment should be performed by Makita Authorized or Factory Service Centers, always using Makita replacement parts.

Sharpening the saw chain

Sharpen the saw chain when:

- Mealy sawdust is produced when damp wood is cut;
- The chain penetrates the wood with difficulty, even when heavy pressure is applied;
- The cutting edge is obviously damaged;
- The saw pulls to the left or right in the wood. (caused by uneven sharpening of the saw chain or damage to one side only)

Sharpen the saw chain frequently but a little each time. Two or three strokes with a file are usually sufficient for routine resharpening. When the saw chain has been resharpened several times, have it sharpened in our authorized service center.

Sharpening criteria:

⚠ WARNING: An excessive distance between the cutting edge and depth gauge increases the risk of kickback.

► Fig.34: 1. Cutter length 2. Distance between cutting edge and depth gauge 3. Minimum cutter length (3 mm)

- All cutter length must be equal. Different cutter lengths prevent the saw chain from running smoothly and may cause the saw chain to break.
- Do not sharpen the chain when the cutter length has reached 3 mm or shorter. The chain must be replaced with new one.
- The chip thickness is determined by the distance between the depth gauge (round nose) and the cutting edge.
- The best cutting results are obtained with following distance between cutting edge and depth gauge.
 - Chain blade 90PX : 0.65 mm

► Fig.35

- The sharpening angle of 30° must be the same on all cutters. Different cutter angles cause the chain to run roughly and unevenly, accelerate wear, and lead to chain breaks.
- Use a suitable round file so that the proper sharpening angle is kept against the teeth.
 - Chain blade 90PX : 55°

File and file guiding

- Use a special round file (optional accessory) for saw chains to sharpen the chain. Normal round files are not suitable.
- Diameter of the round file for each saw chain is as follows:
 - Chain blade 90PX : 4.5 mm
- The file should only engage the cutter on the forward stroke. Lift the file off the cutter on the return stroke.
- Sharpen the shortest cutter first. Then the length of this shortest cutter becomes the standard for all other cutters on the saw chain.
- Guide the file as shown in the figure.

► Fig.36: 1. File 2. Saw chain

- The file can be guided more easily if a file holder (optional accessory) is employed. The file holder has markings for the correct sharpening angle of 30° (align the markings parallel to the saw chain) and limits the depth of penetration (to 4/5 of the file diameter).

► Fig.37: 1. File holder

- After sharpening the chain, check the height of the depth gauge using the chain gauge tool (optional accessory).

► Fig.38

- Remove any projecting material, however small, with a special flat file (optional accessory).
- Round off the front of the depth gauge again.

Cleaning the guide bar

Chips and sawdust will build up in the guide bar groove. They may clog the bar groove and impair the oil flow. Clean out the chips and sawdust every time when you sharpen or replace the saw chain.

► Fig.39

Cleaning the sprocket cover

Chips and saw dust will accumulate inside of the sprocket cover. Remove the sprocket cover and saw chain from the tool then clean the chips and saw dust.

► Fig.40

Cleaning the oil discharge hole

Small dust or particles may be built up in the oil discharge hole during operation. These dust or particles may impair the oil to flow and cause an insufficient lubrication on the whole saw chain. When a poor chain oil delivery occurs at the top of guide bar, clean the oil discharge hole as follows.

1. Remove the sprocket cover and saw chain from the tool.
 2. Remove the small dust or particles using a slotted screwdriver or the like.
- Fig.41: 1. Slotted screwdriver 2. Oil discharge hole
3. Insert the battery cartridge into the tool. Pull the switch trigger to flow built-up dust or particles off the oil discharge hole by discharging chain oil.
 4. Remove the battery cartridge from the tool. Reinstall the sprocket cover and saw chain on the tool.

Replacing the sprocket

CAUTION: A worn sprocket will damage a new saw chain. Have the sprocket replaced in this case.

Before fitting a new saw chain, check the condition of the sprocket.

► Fig.42: 1. Sprocket 2. Areas to be worn out

Always fit a new locking ring when replacing the sprocket.

► Fig.43: 1. Locking ring 2. Sprocket

NOTICE: Make sure that the sprocket is installed as shown in the figure.

Storing the tool

1. Clean the tool before storing. Remove any chips and sawdust from the tool after removing the sprocket cover.
2. After cleaning the tool, run it under no load to lubricate the saw chain and guide bar.
3. Cover the guide bar with the guide bar cover.
4. Empty the oil tank.

Instructions for periodic maintenance

To ensure long life, prevent damage and ensure the full functioning of the safety features, the following maintenance must be performed regularly. Warranty claims can be recognized only if this work is performed regularly and properly. Failure to perform the prescribed maintenance work can lead to accidents! The user of the chain saw must not perform maintenance work which is not described in the instruction manual. All such work must be carried out by our authorized service center.

Check item / Operating time		Before operation	Everyday	Every week	Every 3 month	Annually	Before storage
Chain saw	Inspection.	✓	-	-	-	-	-
	Cleaning.	-	✓	-	-	-	-
	Check at authorized service center.	-	-	-	-	✓	✓
Saw chain	Inspection.	✓	-	-	-	-	-
	Sharpening if necessary.	-	-	-	-	-	✓
Guide bar	Inspection.	✓	✓	-	-	-	-
	Remove from the chain saw.	-	-	-	-	-	✓
Chain brake	Check the function.	✓	-	-	-	-	-
	Have it inspected regularly at authorized service center.	-	-	-	✓	-	-
Chain lubrication	Check the oil feed rate.	✓	-	-	-	-	-
Switch trigger	Inspection.	✓	-	-	-	-	-
Lock-off button	Inspection.	✓	-	-	-	-	-
Oil tank cap	Check tightness.	✓	-	-	-	-	-
Chain catcher	Inspection.	-	-	✓	-	-	-
Screws and nuts	Inspection.	-	-	✓	-	-	-

TROUBLESHOOTING

Before asking for repairs, conduct your own inspection first. If you find a problem that is not explained in the manual, do not attempt to dismantle the tool. Instead, ask Makita Authorized Service Centers, always using Makita replacement parts for repairs.

Malfunction status	Cause	Action
The chain saw does not start.	Battery cartridge is not installed.	Install a charged battery cartridge.
	Battery problem (low voltage).	Recharge the battery cartridge. If recharging is not effective, replace the battery cartridge.
The saw chain does not run.	Chain brake activated.	Release chain brake.
The motor stops running after a little use.	Battery's charge level is low.	Recharge the battery cartridge. If recharging is not effective, replace the battery cartridge.
No oil on the chain.	Oil tank is empty.	Fill the oil tank.
	Oil guide groove is dirty.	Clean the groove.
The chain saw does not reach maximum RPM.	Battery cartridge is installed improperly.	Install the battery cartridge as described in this manual.
	Battery power is dropping.	Recharge the battery cartridge. If recharging is not effective, replace the battery cartridge.
	The drive system does not work correctly.	Ask the authorized service center in your region for repair.
Chain does not stop even the chain brake is activated: Stop the tool immediately!	The brake band is worn down.	Ask the authorized service center in your region for repair.
Abnormal vibration: Stop the tool immediately!	Loose guide bar or saw chain.	Adjust the guide bar and saw chain tension.
	Tool malfunction.	Ask the authorized service center in your region for repair.
The saw chain cannot be installed.	The combination of saw chain and sprocket is not correct.	Use the correct combination of saw chain and sprocket by referring to the section for specifications.

OPTIONAL ACCESSORIES

CAUTION: These accessories or attachments are recommended for use with your Makita tool specified in this manual. The use of any other accessories or attachments might present a risk of injury to persons. Only use accessory or attachment for its stated purpose.

If you need any assistance for more details regarding these accessories, ask your local Makita Service Center.

- Saw chain
- Guide bar
- Guide bar cover
- File
- Tool bag
- Makita genuine battery and charger

WARNING: If you purchase a guide bar of different length from the standard guide bar, also purchase a suitable guide bar cover together. It must fit and fully cover the guide bar on the chain saw.

NOTE: Some items in the list may be included in the tool package as standard accessories. They may differ from country to country.

SPECIFIKATIONER

Modell:		DUC307	DUC357	DUC407
Total längd (utan svärd)		428 mm		
Märkspänning		18 V likström		
Nettovikt	*1	2,9 kg		
	*2	4,2 - 4,3 kg		
Standard svärdlängd		300 mm	350 mm	400 mm
Rekommenderad svärdlängd		300 - 400 mm		
Applicerad sågkedjetyp (se tabellen nedan)		90PX		
Kedjehjul	Antal tänder	6		
	Delning	3/8"		
Kedjehastighet		0 - 7,7 m/s (0 - 460 m/min)		
Tankvolym kedjeolja		150 cm ³		

- På grund av vårt pågående program för forskning och utveckling kan dessa specifikationer ändras utan föregående meddelande.
 - Specifikationer kan variera mellan olika länder.
- *1: Vikt, utan sågkedjan, svärdet, svärdskyddet, oljan och batterikassetten/kassetterna.
*2: Den lättaste och tyngsta viktcombinationen enligt EPTA-procedur 01/2014. Vikten kan variera beroende på tillbehöret/tillbehören, inklusive batterikassetten/kassetterna.

Kombination av sågkedja, svärd och kedjehjul

Sågkedjetyp		90PX		
Antal drivlänkar		46	52	56
Svärd	Svärdlängd	300 mm	350 mm	400 mm
	Såglängd	275 mm	330 mm	370 mm
	Delning	3/8"		
	Mätare	1,1 mm		
	Typ	Kuggdrev		
Kedjehjul	Antal tänder	6		
	Delning	3/8"		

⚠ VARNING: Använd en lämplig kombination av svärd och sågkedje. I annat fall kan personskada uppstå.

Tillgänglig batterikassett och laddare

Batterikassett	BL1830B / BL1840B / BL1850B / BL1860B
Laddare	DC18RC / DC18RD / DC18RE / DC18SD / DC18SE / DC18SF / DC18SH

- Vissa av batterikassetterna och laddarna på listan ovan kanske inte finns tillgängliga i din region.

⚠ VARNING: Använd endast batterikassetter och laddare från listan ovan. Användning av andra batterikassetter och laddare kan orsaka personskada och/eller brand.














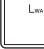
Rekommenderad sladdansluten strömkälla

Bärbart strömpaket	PDC01
--------------------	-------

- De(n) sladdanslutna strömkällan/strömkällorna på listan ovan kanske inte finns tillgängliga i din region.
- Innan du använder den sladdanslutna strömkällan ska du läsa instruktionen och varningsmärkena på den.

Symboler

Följande visar symbolerna som kan användas för utrustningen. Se till att du förstår innebörden innan användning.

	Läs igenom bruksanvisningen.
 	Använd skyddsglasögon.
 	Använd hörselskydd.
	Maximal tillåten kaplängd
	Använd alltid två händer vid användning av kedjesåg.
	Se upp med kedjesågens bakåtkast och undvik kontakt med svärdets spets.
	Utsätt inte verktyget för fukt.
	Kedjans rotationsriktning
	Justering av kedjeolja
	Gäller endast inom EU P.g.a. förekomsten av farliga komponenter i utrustningen kan avfall innehållande elektrisk och elektronisk utrustning, ackumulatörer och batterier ha negativ inverkan på miljön och människors hälsa. Kassera inte elektriska och elektroniska apparater eller batterier ihop med hushållsavfall! I enlighet med EU-direktiven om avfall som utgörs av eller innehåller elektrisk och elektronisk utrustning och om batterier och ackumulatörer och förbrukade batterier och ackumulatörer, och dess införlivande i nationell lagstiftning, bör förbrukad elektrisk och elektronisk utrustning, batterier och ackumulatörer förvaras separat och transporteras till en särskild uppsamlingsplats för kommunalt avfall, som drivs i enlighet med regelverket för miljöskydd. Detta anges av symbolen med den överkryssade soptunnan på hjul som sitter på utrustningen.
	Garanterad ljudeffektivnivå enligt EU-direktivet för utomhusbuller.
	Ljudeffektivnivå enligt Australia NSW Noise Control Regulation (Bullerreglering)

Avsedd användning

Denna kedjesåg är endast avsedd för sågning i trä.

Buller

Den normala bullernivån för A-belastning är bestämd enligt EN62841-4-1:

Modell DUC307

Ljudtrycksnivå (L_{pA}) : 86 dB (A)

Ljudeffektivnivå (L_{WA}) : 97 dB (A)

Måttolerans (K): 3 dB (A)

Modell DUC357

Ljudtrycksnivå (L_{pA}) : 86 dB (A)

Ljudeffektivnivå (L_{WA}) : 97 dB (A)

Måttolerans (K): 3 dB (A)

Modell DUC407

Ljudtrycksnivå (L_{pA}) : 86 dB (A)

Ljudeffektivnivå (L_{WA}) : 97 dB (A)

Måttolerans (K): 3 dB (A)

OBS: Det deklarerade bullervärdet har uppmätts i enlighet med standardtestmetoden och kan användas för jämförandet av en maskin med en annan.

OBS: Det deklarerade bulleremissionsvärdet kan också användas i en preliminär bedömning av exponering för vibration.

⚠️ VARNING: Använd hörselskydd.

⚠️ VARNING: Bulleremissionen under faktisk användning av maskinen kan skilja sig från det deklarerade värdet, beroende på hur maskinen används och särskilt vilken typ av arbetsstycke som behandlas.

⚠️ VARNING: Var noga med att identifiera säkerhetsåtgärder för att skydda användaren, vilka är grundade på en uppskattning av graden av exponering för vibrationer under de faktiska användningsförhållandena, (ta, förutom avtryckartiden, med alla delar av användarcykeln i beräkningen, som till exempel tiden då maskinen är avstängd och när den går på tomgång).

Vibration

Det totala vibrationsvärdet (treaxlad vektorsumma) bestämt enligt EN62841-4-1:

Modell DUC307

Arbetsläge: sågning i trä

Vibrationsemission ($a_{h,w}$) : 5,4 m/s²

Måttolerans (K): 1,5 m/s²

Modell DUC357

Arbetsläge: sågning i trä

Vibrationsemission ($a_{h,w}$) : 5,4 m/s²

Måttolerans (K): 1,5 m/s²

Modell DUC407

Arbetsläge: sågning i trä

Vibrationsemission ($a_{h,w}$) : 5,4 m/s²

Måttolerans (K): 1,5 m/s²

OBS: Det deklarerade totala vibrationsvärdet har uppmätts i enlighet med standardtestmetoden och kan användas för jämförandet av en maskin med en annan.

OBS: Det deklarerade totala vibrationsvärdet kan också användas i en preliminär bedömning av exponering för vibration.

⚠ VARNING: Vibrationsemissionen under faktisk användning av maskinen kan skilja sig från det deklarerade värdet, beroende på hur maskinen används och särskilt vilken typ av arbetsutrymme som behandlas.

⚠ VARNING: Var noga med att identifiera säkerhetsåtgärder för att skydda användaren, vilka är grundade på en uppskattning av graden av exponering för vibrationer under de faktiska användningsförhållandena, (ta, förutom avtryckartiden, med alla delar av användarcykeln i beräkningen, som till exempel tiden då maskinen är avstängd och när den går på tomgång).

EG-försäkran om överensstämmelse

Gäller endast inom EU

EG-försäkran om överensstämmelse inkluderas som bilaga A till denna bruksanvisning.

SÄKERHETSVARNINGAR

Allmänna säkerhetsvarningar för maskiner

⚠ VARNING: Läs alla säkerhetsvarningar, anvisningar, illustrationer och specifikationer som medföljer det här maskinen. Underlåtenhet att följa instruktionerna kan leda till elstötar, brand och/eller allvarliga personskador.

Spara alla varningar och instruktioner för framtida referens.

Termen "maskin" som anges i varningarna hänvisar till din eldrivna maskin (sladdansluten) eller batteridrivna maskin (sladdlös).

Allmänna säkerhetsvarningar för kedjesåg

1. **Håll alla kroppsdelar borta från kedjesågen när den är igång. Se till att sågkedjan inte vidrör någonting innan du startar kedjesågen.** Ett ögonblick av ouppmärksamhet medan du arbetar med kedjesågen kan leda till att kedjesågen kommer i kontakt med dina kläder eller med kroppen.
2. **Håll alltid kedjesågen med din högerhand på det bakre handtaget och din vänsterhand på det främre handtaget.** Om du håller i kedjesågen med händerna tvärtom ökar risken för personskador, vilket absolut inte får ske.
3. **Håll kedjesågen endast i de isolerade handtagen om det finns risk för att sågkedjan kan komma i kontakt med en dold elkabel.** Om sågkedjan kommer i kontakt med en strömförande ledning blir kedjesågens blottlagda metalldelar strömförande och kan ge operatören en elektrisk stöt.

4. **Använd ögonskydd. Ytterligare skyddsutrustning i form av hörselskydd samt för huvud, händer, ben och fötter rekommenderas.** Passande utrustning minskar risken för personskador från flygande materialrester eller oavsiktlig kontakt med sågkedjan.
5. **Arbeta inte med kedjesågen i ett träd, på en stega, på ett tak eller något annat ostadigt underlag.** Att arbeta med en kedjesåg på det sättet kan leda till allvarlig personskada.
6. **Stå alltid stadigt och arbeta endast med kedjesågen när du står på ett fast, säkert och plant underlag.** Hala eller instabila ytor kan göra att du tappar balansen eller kontrollen över kedjesågen.
7. **Var uppmärksam vid sågning av en gren som är spänd eftersom den kan fjädra tillbaka.** När spänningen i träfibren släpper kan den spända grenen slå tillbaka mot användaren och/eller slå kedjesågen ur händerna.
8. **Var mycket försiktig vid sågning av buskar och unga träd.** Det fina materialet kan fånga sågkedjan och piskas emot dig eller få dig ur balans.
9. **Bär kedjesågen i det främre handtaget och bort från kroppen med maskinen avstängd. Vid transport eller förvaring av kedjesågen ska alltid svärdskyddet sitta på.** Korrekt hantering av kedjesågen minskar risken för oavsiktlig kontakt när sågkedjan är i rörelse.
10. **Följ instruktionerna för smörjning, kedjesträckning och utbyte av svärdet och kedjan.** Felaktig sträckning eller kedjesmörjning kan antingen få kedjan att gå av eller öka risken för bakåtkast.
11. **Såga endast i trä. Använd kedjesågen endast för det ändamål den är avsedd för. Använd den till exempel inte för sågning i metall, plast, murverk eller annat byggmaterial som inte är av trä.** Användning av kedjesågen för annat ändamål än vad den är avsedd för kan leda till att en farlig situation uppstår.
12. **Försök inte fälla ett träd förrän du har en uppfattning om riskerna och hur de undviks.** Allvarlig skada kan drabba operatören eller kringstående personer vid trädffällning.
13. **Orsaker till och förebyggande av bakåtkast:** Bakåtkast kan uppstå när nosen eller spetsen på svärdet kommer i kontakt med ett objekt, eller när träet kniper tag i och låser fast kedjesågen i skäret. Kontakt med spetsen kan i vissa fall orsaka en plötslig motsatt reaktion där svärdet slås uppåt och bakåt mot användaren. Fastslåsning av sågkedjan längs spetsen på svärdet kan snabbt trycka svärdet bakåt mot användaren. Endera av dessa reaktioner kan göra att du tappar kontrollen över sågen vilket kan resultera i allvarliga personskador. Lita inte uteslutande på de inbyggda säkerhetsanordningarna i din såg. Som en kedjesågsanvändare ska du vidta försiktighetsåtgärder så att inte olyckor eller skador uppstår i ditt arbete med sågen. Bakåtkast beror på ovarsamhet med kedjesågen och/eller felaktiga arbetsrutiner och kan undvikas genom att vidta nedanstående förebyggande åtgärder:

- **Upprätthåll ett stadigt grepp med tummar och fingrar runt kedjesågens handtag, med båda händerna på sägen och i en position där din kropp och dina armar kan undvika styrkan av ett eventuellt bakåtkast.** Användaren kan kontrollera styrkan av ett bakåtkast om korrekta åtgärder har vidtagits. Släpp inte kedjesågen.

► Fig.1

- **Sträck dig inte för långt när du använder maskinen och säga inte över axelhöjd.** Detta förhindrar oavsiktlig kontakt med spetsen och ger bättre kontroll över kedjesågen i oväntade situationer.
 - **Använd endast sådana reservsvärd och reservsägkedjor som specificerats av tillverkaren.** Felaktiga reservsvärd och reservsägkedjor kan orsaka att kedjan går av och/eller bakåtkast.
 - **Följ tillverkarens instruktioner för slipning och underhåll av sågkedjan.** Minskning av höjden på underställningsklacken kan leda till ökad risk för bakåtkast.
14. **Följ alla instruktioner när du tar bort material som fastnat, tar kedjesågen i förvar eller servar den. Säkerställ att strömbrytaren är avstängd samt att batterikassetten är avlägsnad.** Att oväntat sätta igång kedjesågen medan man håller på att ta bort material som fastnat eller utför service kan orsaka allvarlig personskada.

Ytterligare säkerhetsinstruktioner

Personlig skyddsutrustning

1. Använd åtsittande kläder som inte begränsar rörligheten.
2. Följande skyddskläder är lämpliga under arbete:
 - Godkänd skyddshjälm som skydd mot nedfallande grenar o dyl.
 - Visir eller skyddsglasögon.
 - Hörselskydd (hörselkåpor eller öronproppar). Frekvensanalys kan erhållas på begäran.
 - Kraftiga skyddshandskar.
 - Långbyxor i kraftigt tyg.
 - Överdragskläder med.
 - Säkerhetsskor eller stövlar med halkfria sulor, stålhätta och.
 - Ansiktsmask när arbetet genererar damm (t ex sågning i torr trä).

Användning

1. **Kontrollera att kedjan är i gott skick och uppfyller säkerhetsanvisningarna innan arbetet påbörjas. Kontrollera i synnerhet att:**
 - Kedjebromsen fungerar.
 - Tröghetsbromsen fungerar.
 - Svärdet och kedjedrevskåpan är rätt monterade.
 - Kedjan är filad och spänd i enlighet med anvisningarna.
2. **Starta inte kedjesågen när kedjeskyddet är kvar.** Att starta kedjesågen med kedjeskyddet monterat kan leda till att kedjeskyddet kastas framåt vilket resulterar i personskada och skada på föremål runt omkring användaren.

EI- och batterisäkerhet

1. **Undvik farliga miljöer.** Använd inte verktyget på fuktiga eller blöta områden, eller utsätt den för regn. Vatten som kommer in i verktyget ökar risken för elektrisk stöt.
2. **Släng inte batteriet/batterierna i öppen eld.** Cellen kan explodera. Kontrollera de lokala reglerna för att se eventuell särskild avfallshantering.
3. **Öppna inte eller förstör batteriet/batterierna.** Elektrolyt som kommer ut är frätande och kan ge ögon- eller hudskador. Det kan vara giftigt vid förtäring.
4. **Ladda inte batteriet i regn eller i fuktiga eller våta utrymmen.**
5. **Ladda inte batteriet utomhus.**
6. **Hantera inte laddaren, däribland laddarstickproppen, och laddarens kopplingar med våta händer.**
7. **Byt inte ut batteriet i regn.**
8. **Byt inte ut batteriet med våta händer.**
9. **Batteriet får inte lämnas i regn, och inte heller laddas, användas eller lagras på ett fuktigt eller vått ställe.**
10. **Låt inte batteripolen bli blöt av vätska som t.ex. vatten, och sänk inte ned batteriet i vätska.** Om polen blir våt eller vätska kommer in i batteriet, kan det kortslutas och det finns risk för överhettning, brand eller explosion.
11. **När batteriet tagits bort från maskinen eller laddaren ska du se till att fästa batterikåpan vid batteriet och förvara det på en torr plats.**
12. **Om batterikassetten blir våt, töm ut vattnet inuti den och torka sedan av den med en torr trasa. Låt batterikassetten torka helt på en torr plats före användning.**

SPARA DESSA ANVISNINGAR.

⚠ VARNING: GLÖM INTE att också fortsättningsvis strikt följa säkerhetsanvisningarna för maskinen även efter att du blivit van att använda den. Vid **FELAKTIG HANTERING** av maskinen eller om inte säkerhetsanvisningarna i denna bruksanvisning följs kan följden bli allvariga personskador.

Viktiga säkerhetsanvisningar för batterikassetten

1. **Innan batterikassetten används ska alla instruktioner och varningsmärken på (1) batteriladdaren, (2) batteriet och (3) produkten läsas.**
2. **Montera inte isär eller mixtra med batterikassetten.** Det kan leda till brand, överdriven värme eller explosion.
3. **Om drifttiden blivit avsevärt kortare ska användningen avbrytas omedelbart.** Det kan uppstå överhettning, brännskador och t o m en explosion.
4. **Om du får elektrolyt i ögonen ska de sköljas med rent vatten och läkare uppsökas omedelbart.** Det finns risk för att synen förloras.

5. **Kortslut inte batterikassetten.**
 - (1) Rör inte vid polerna med något strömförande material.
 - (2) Undvik att förvara batterikassetten tillsammans med andra metallobjekt som t.ex. spikar, mynt o.s.v.
 - (3) Skydda batteriet mot vatten och regn. En batterikortslutning kan orsaka ett stort strömlöflöde, överhettning, brand och maskinhaveri.
6. **Förvara och använd inte verktyget och batterikassetten på platser där temperaturen kan nå eller överstiga 50 °C.**
7. **Bränn inte upp batterikassetten även om den är svårt skadad eller helt utsliten. Batterikassetten kan explodera i öppen eld.**
8. **Spika inte i, krossa, kasta, tappa eller slå batterikassetten mot hårda föremål.** Dylåka händelser kan leda till brand, överdriven värme eller explosion.
9. **Använd inte ett skadat batteri.**
10. **De medföljande litiumjonbatterierna är föremål för kraven i gällande lagstiftning för farligt gods.**
För kommersiella transporter (av t.ex. tredje parter som speditönsfirmor) måste de särskilda transportkrav som anges på emballaget och etiketter iakttas.
För att förbereda den produkt som ska avsändas krävs att du konsulterar en expert på riskmaterial. Var också uppmärksam på att det i ditt land kan finnas ytterligare föreskrifter att följa.
Tejpa över eller maskera blottade kontakter och packa batteriet på sådant sätt att det inte kan röra sig fritt i förpackningen.
11. **När batterikassetten ska kasseras måste den tas bort från maskinen och kasseras på ett säkert sätt. Följ lokala föreskrifter beträffande avfallshandtering av batteriet.**
12. **Använd endast batterierna med de produkter som specificerats av Makita.** Att använda batterierna med ej godkända produkter kan leda till brand, överdriven värme, explosion eller utläckande elektrolyt.
13. **Om maskinen inte används under en lång tid måste batteriet tas bort från maskinen.**
14. **Under och efter användning kan batterikassetten bli het vilket kan orsaka brännskador eller lättare brännskador. Var uppmärksam på hur du hanterar varma batterikassetter.**
15. **Vidrör inte verktygets kontakter direkt efter användning eftersom de kan bli heta och orsaka brännskador.**
16. **Låt inte flisor, damm eller smuts fastna i kontaktarna, i hål eller spår i batterikassetten.** Det kan leda till att verktyget eller batterikassetten värms upp, fattar eld, går sönder eller inte fungerar som de ska, vilket kan orsaka brännskador eller personsksador.
17. **Såvida inte verktyget stöder arbeten i närheten av högspänningsledning får batterikassetten inte användas i närheten av en högspänningsledning.** Det kan leda till att verktyget eller batterikassetten går sönder eller inte fungerar korrekt.
18. **Förvara batteriet utom räckhåll för barn.**

SPARA DESSA ANVISNINGAR.

⚠FÖRSIKTIGT: Använda endast äkta Makita-batterier. Användning av oäkta Makita-batterier eller batterier som har manipulerats kan leda till person- och utrustningssksador eller till att batteriet fattar eld. Det upphäver också Makitas garanti för verktyget och laddaren.

Tips för att uppnå batteriets maximala livslängd

1. **Ladda batterikassetten innan den är helt urladdad. Stanna alltid maskinen och ladda batterikassetten när du märker att maskinen blir svagare.**
2. **Ladda aldrig en fulladdad batterikasset. Överladdning förkortar batteriets livslängd.**
3. **Ladda batterikassetten vid en rumstemperatur på 10 °C - 40 °C. Låt en varm batterikasset svalna innan den laddas.**
4. **När batterikassetten inte används ska den tas bort från verktyget eller laddaren.**
5. **Ladda batterikassetten om du inte har använt den på länge (mer än sex månader).**

BESKRIVNING AV DELAR

► Fig.2

1	Främre handskydd	2	Spärr	3	Svärd
4	Sågedjda	5	Svärdsskydd	6	Startspärr
7	Bakre handtag	8	Avtryckare	9	Batterikasset
10	Främre handtag	11	Oljetanklock	12	Barkskydd
13	Kedjefångare	14	Inställningsratt	-	-

FUNKTIONSBESKRIVNING

⚠ FÖRSIKTIGT: Se alltid till att maskinen är avstängd och batterikassetten borttagen innan du justerar maskinen eller kontrollerar dess funktioner.

Montera eller demontera batterikassetten

⚠ FÖRSIKTIGT: Stäng alltid av maskinen innan du monterar eller tar bort batterikassetten.

⚠ FÖRSIKTIGT: Håll stadigt i maskinen och batterikassetten när du monterar eller tar bort batterikassetten. I annat fall kan det leda till att de glider ur dina händer och orsakar skada på maskinen och batterikassetten samt personskada.

► **Fig. 3:** 1. Röd indikator 2. Knapp 3. Batterikassett

Ta bort batterikassetten genom att skjuta ner knappen på kassetten framsida samtidigt som du drar ut batterikassetten.

Sätt i batterikassetten genom att rikta in tungan på batterikassetten mot spåret i höljet och skjut den på plats. Tryck in batterikassetten ordentligt tills den låser fast med ett klick. Om du kan se den röda indikatorn som bilden visar är den inte låst ordentligt.

⚠ FÖRSIKTIGT: Sätt alltid i batterikassetten helt tills den röda indikatorn inte längre syns. I annat fall kan den oväntat falla ur verktyget och skada dig eller någon annan.

⚠ FÖRSIKTIGT: Montera inte batterikassetten med våld. Om kassetten inte lätt glider på plats är den felinsatt.

Indikerar kvarvarande batterikapacitet

Endast för batterikassetter med indikator

► **Fig. 4:** 1. Indikatorlampor 2. Kontrollknapp

Tryck på kontrollknappen på batterikassetten för att se kvarvarande batterikapacitet. Indikatorlamporna lyser i ett par sekunder.

Indikatorlampor			Kvarvarande kapacitet
Upplyst	Av	Blinkar	
			75% till 100%
			50% till 75%
			25% till 50%
			0% till 25%
			Ladda batteriet.
			Batteriet kan ha skadats.

OBS: Beroende på användningsförhållanden och den omgivande temperaturen kan indikationen skilja sig lätt från den faktiska batterikapaciteten.

OBS: Den första (längst till vänster) indikatorlampor kommer att blinka när batteriskyddssystemet fungerar.

Skyddssystem för maskinen/batteriet

Verktyget är utrustat med ett skyddssystem för verktyget/batteriet. Detta system bryter automatiskt strömmen till motorn för att förlänga verktygets och batteriets livslängd. Verktyget stoppar automatiskt under användningen om verktyget eller batteriet hamnar i en av följande situationer:

Överbelastningsskydd

Om verktyget eller batteriet används på ett sätt som gör att det drar onormalt mycket ström kan verktyget stoppa automatiskt. När detta sker stänger du av verktyget och upphör med arbetet som gjorde att det överbelastades. Starta därefter upp verktyget igen.

Överhettningsskydd

När verktyget eller batteriet överhettas stoppas verktyget automatiskt. I sådant fall ska du låta verktyget och batteriet svalna innan verktyget sätts på igen.

OBS: I miljöer med höga temperaturer är det troligt att överhettningsskyddet löser ut och maskinen stoppar automatiskt.

Överurladdningsskydd

När batteriets kapacitet är otillräcklig stoppar maskinen automatiskt. I sådant fall ska batteriet tas ur maskinen och laddas.

Skydd mot andra felorsaker

Skyddssystemet är också utformat för att hantera andra orsaker som skulle kunna skada verktyget, och gör att verktyget kan stanna automatiskt. Om verktyget stannat tillfälligt eller helt slutat fungera utför du följande steg för att åtgärda problemen.

1. Stäng av verktyget och slå sedan på det igen för att starta om det.
2. Ladda upp batteriet/batterierna eller byt ut det/dem mot uppladdade batterier.
3. Låt verktyget och batteriet/batterierna svalna.

Om återställning av skyddssystemet inte leder till någon förbättring, kontakta ditt lokala Makita Service Center.

OBSERVERA: Om verktyget stannar av en orsak som inte är angiven ovan, se avsnittet Felsökning.

Avtryckarens funktion

⚠ VARNING: Denna maskin är utrustad med en startspärr som förhindrar oavsiktlig start. Använd aldrig maskinen om den startar när du trycker in avtryckaren utan att ha tryckt in startspärren. Kontakta ditt lokala Makita-servicecenter för reparation.

⚠ VARNING: Deaktivera aldrig spärren och tejpa aldrig ner startspärren.

⚠ FÖRSIKTIGT: Innan du sätter i batterikassetten i maskinen ska du kontrollera att avtryckaren fungerar och återgår till läget "OFF" när du släpper den.

OBSERVERA: Tryck inte in avtryckaren med våld utan att först ha tryckt in startspärren. Avtryckaren kan gå sönder.

► **Fig. 5:** 1. Startspärr 2. Avtryckare

Det finns en startspärr som förhindrar att avtryckaren trycks in oavsiktligt. Tryck in startspärren och tryck sedan in avtryckaren för att starta verktyget. Släpp avtryckaren för att stoppa verktyget.

Kontroll av kedjebroms

⚠ FÖRSIKTIGT: Håll kedjesågen med båda händerna när du startar den. Håll bakre handtaget med höger hand och främre handtaget med vänster hand. Svärdet och kedjan får inte vara i kontakt med något.

⚠ FÖRSIKTIGT: Om kedjan inte stannar omedelbart när du kontrollerar denna funktion får sågen inte användas under några omständigheter. Kontakta ett auktoriserat servicecenter.

1. Tryck in startspärren och tryck sedan in avtryckaren. Kedjesågen startar omedelbart.

2. Tryck det främre handskyddet framåt med baksidan av handen. Se till att kedjesågen stoppar helt.

► **Fig. 6:** 1. Främre handskydd 2. Olåst position
3. Låst position

Kontroll av tröghetsbroms

⚠ FÖRSIKTIGT: Om kedjesågen inte stannar inom en sekund i detta test, sluta använda kedjesågen och kontakta vårt auktoriserade servicecenter.

Kör kedjesågen och släpp därefter avtryckaren helt. Kedjan måste stanna helt inom en sekund.

MONTERING

⚠ FÖRSIKTIGT: Se alltid till att maskinen är avstängd och batterikassetten borttagen innan du underhåller maskinen.

⚠ FÖRSIKTIGT: Rör inte vid sågkedjan med bara händer. Bär alltid handskar när du hanterar sågkedjan.

Montering eller demontering av sågkedja

⚠ FÖRSIKTIGT: Sågkedjan och svärdet är fortfarande varma direkt efter användning. Låt dem svalna tillräckligt innan du utför något arbete på maskinen.

⚠ FÖRSIKTIGT: Montera eller ta bort kedjan på en ren plats fri från sågdamm och liknande.

Montera sågkedjan

Utför följande steg för att montera sågkedjan:

1. Lossa på kedjebromsen genom att dra i det främre handskyddet.

2. Dra upp spaken meda du trycker på dess kant.

► **Fig.7:** 1. Spärr

3. Vrid spaken moturs tills kedjedrevskåpan kan tas av.

► **Fig.8:** 1. Spärr 2. Kedjedrevskåpa

4. Ta bort kedjedrevskåpan.

5. Kontrollera sågkedjans rotationsriktning. Ställ in sågkedjans riktning med markeringen på kedjesågens kropp.

► **Fig.9:** 1. Markering på kedjesågens kropp

6. Passa in ena änden av sågkedjan på toppen av svärdet.

7. Montera den andra änden av sågkedjan runt kedjehjulet och fäst sedan svärdet på kedjesågens kropp.

► **Fig.10:** 1. Kedjehjul

8. Vrid kedjesträckaren mot "–" för att skjuta sträckartappen i pilens riktning.

► **Fig.11:** 1. Inställningsratt 2. Sträckartapp

9. Placera kedjedrevskåpan på kedjesågen så att sträckartappen placeras i ett litet hål i svärdet.

► **Fig.12:** 1. Kedjedrevskåpa 2. Svärd 3. Hål

10. Vrid spaken medurs hela vägen och vrid sedan tillbaka spaken lite att behålla kedjan lös för justering av kedjespänningen.

11. Justera kedjespänningen. Se avsnittet för justering av kedjesträckningen för förfarandet.

12. Vrid spaken medurs tills kedjedrevskåpan sitter säkert och för den därefter till dess ursprungliga läge.

► **Fig.13:** 1. Spärr 2. Kedjedrevskåpa

Ta bort sågkedjan

Utför följande steg för att ta bort sågkedjan:

1. Lossa på kedjebromsen genom att dra i det främre handskyddet.

2. Vrid kedjesträckaren mot "–" för att släppa kedjesträckningen.

► **Fig.14:** 1. Inställningsratt

3. Dra upp spaken meda du trycker på dess kant.

► **Fig.15:** 1. Spärr

4. Vrid spaken moturs tills kedjedrevskåpan kan tas av.

► **Fig.16:** 1. Spärr 2. Kedjedrevskåpa

5. Ta bort kedjedrevskåpan och ta därefter bort sågkedjan och svärdet från kedjesågen.

Justering av kedjesträckning

⚠ FÖRSIKTIGT: Montera eller ta bort kedjan på en ren plats fri från sågdamm och liknande.

⚠ FÖRSIKTIGT: Sträck inte sågkedjan för mycket. En alltför sträckt kedja kan medföra kedjebrott, ökat slitage på svärdet eller trasig kedjesträckare.

⚠ FÖRSIKTIGT: En kedja som inte är tillräckligt spänd kan hoppa ur sitt spår och orsaka en olycka.

Kedjan kan förlora sin sträckning efter ett antal timmars användning. Kontrollera därför emellanåt kedjesträckningen innan du använder kedjesågen.

1. Dra upp spaken meda du trycker på dess kant.
▶ **Fig.17:** 1. Spår
 2. Vrid spaken lite moturs för att lossa kedjedrevskåpan något.
▶ **Fig.18:** 1. Spår 2. Kedjedrevskåpa
 3. Lyft upp svärdspetsen lite och justera kedjesträckningen. Vrid kedjesträckaren i riktning mot "-" för att lossa, vrid i riktning mot "+" för att späna. Spänn åt sågkedjan tills den nedre delen av sågkedjan passar in i svärdets skena.
▶ **Fig.19:** 1. Inställningsratt 2. Svärd 3. Sågkedja
 4. Fortsätt att hålla lätt i svärdet och dra åt kedjedrevskåpan. Se till att sågkedjan inte slackar på den undre sidan.
 5. Ställ skruvhandtaget i sitt ursprungliga läge.
- Se till att sågkedjan ligger tätt mot den undre sidan av svärdet.

ANVÄNDNING

Smörjning

⚠ FÖRSIKTIGT: Arbeta inte med kedjesågen när tanken är tom. Fyll på olja i god tid innan tanken är tom.

⚠ FÖRSIKTIGT: Låt inte oljan komma i kontakt med hud och ögon. Kontakt med ögonen orsakar irritation. Skölj omedelbart med rent vatten och kontakta läkare om du får olja i ögonen.

⚠ FÖRSIKTIGT: Använd aldrig gammal olja. Redan använda oljor innehåller cancerframkallande ämnen. Föroreningarna i använda oljor medför ökad förorening i oljepump, svärd och kedja. Gammal olja är skadlig för miljön.

OBSERVERA: När kedjesågen används för första gången kan det ta upp till två minuter innan sågkedjeoljan börjar smörja sågmekanismen. Kör sågen utan belastning tills den automatiska oljesmörjningen har kommit igång.

OBSERVERA: När du fyller på kedjeolja för första gången, eller om du fyller på olja när tanken blivit helt tom, ska du fylla på olja upp till kragen på påfyllningshålet. Oljefördelningen kan annars försämrans.

OBSERVERA: Använd endast en sågkedjeolja som är avsedd för Makita:s kedjesågar eller motsvarande som finns tillgänglig i handeln.

OBSERVERA: Använd aldrig olja som innehåller damm och partiklar eller flyktig olja.

OBSERVERA: Använd botanisk olja vid beskärning av träd. Mineralolja kan skada träden.

OBSERVERA: Innan du börjar såga, kontrollera att det medföljande oljetankslocket är festskruvat på plats.

Sågkedjan blir automatiskt smord när maskinen är i användning. Kontrollera regelbundet återstående mängd olja i oljetanken genom inspektionsfönstret för olja.

▶ **Fig.20:** 1. Oljetankslock 2. Inspektionsfönster för olja

Utför följande steg för att fylla på olja:

1. Rengör noggrant området runt oljetankslocket för att förhindra att smuts kommer in i oljetanken.
2. Lägg kedjesågen på sidan och ta av oljetankslocket.
3. Fyll oljetanken med olja. Korrekt mängd olja är 150 ml.
4. Skruva på tankslocket ordentligt igen.
5. Torka omsorgsfullt bort eventuell utspild olja.

OBS: Om det är svårt att ta bort oljetankslocket ska du sätta in spårskruvmejseln i spåret på oljetankslocket och sedan ta av oljetankslocket genom att vrida det moturs.

▶ **Fig.21:** 1. Spår 2. Spårskruvmejsel

Håll bort kedjesågen från trädet efter påfyllning. Starta den och vänta tills smörjningen av sågkedjan är tillräcklig.

▶ **Fig.22**

Arbeta med kedjesågen

⚠ FÖRSIKTIGT: Förstagångsanvändare ska, åtminstone som en liten övning, börja såga stockar på en sågbock eller ställning.

⚠ FÖRSIKTIGT: Vid sågning i förkoppat timmer ska du använda ett säkert stöd (sågbock eller vagg). Stöd inte arbetsstycket med din fot och tillåt inte att någon annan håller eller stödjer det.

⚠ FÖRSIKTIGT: Fäst runda arbetsstycken så att de inte roterar.

⚠ FÖRSIKTIGT: Håll bort sågkedjan från kroppen när motorn är igång.

⚠ FÖRSIKTIGT: Håll i kedjesågen ordentligt med båda händerna när motorn är igång.

⚠ FÖRSIKTIGT: Översträck inte. Stå alltid stabil och ha god balans hela tiden.

OBSERVERA: Kasta eller tappa inte verktyget.

OBSERVERA: Täck inte över verktygets ventilationshål.

För den nedre delen av kedjesågen till den gren som ska sågas av innan sågen slås på. I annat fall kan svärdet kränga och skada användaren. Såga av det träd som ska sågas genom att använda kedjesågens vikt.

► Fig.23

Om du inte kan såga rakt igenom stocken med ett enda skär: Tryck lätt på handtaget och fortsätt att såga och dra kedjesågen bakåt en aning. Placera sedan stödkammen lite lägre och avslutar snittet genom att lyfta handtaget.

► Fig.24

Kapning

1. Vila den nedre delen av kedjesågen på den gren som ska sågas av.

► Fig.25

2. Medan kedjan löper sågar du in i stocken genom att lyfta sågen med det bakre handtaget och styra svärdet med det främre. Använd barkskyddet som vridpunkt.

3. Fortsätt att såga genom att trycka lätt på det främre handtaget och lyfta sågens bakända något. Flytta barkskyddet i sågriktningen och lyft det främre handtaget igen.

OBSERVERA: Stäng av sågen mellan skären om du ska göra fler kapningar.

⚠FÖRSIKTIGT: Du kan få bakåtkast i riktning mot dig om du sågar med svärdets ovansida och kedjan kläms fast. Såga därför med undersidan så att sågen strävar i riktning bort från dig.

► Fig.26

När du kapar en stock som är utsatt för tryck ska alltid den tryckutsatta sidan (A) sågas först. Såga därefter slutskäret från den andra sidan (B). På så vis undviker du att svärdet kläms fast.

► Fig.27

Kvistning

⚠FÖRSIKTIGT: Kvistning får endast utföras av personer med stor erfarenhet av sågning. Kastrisken är stor.

Om möjligt bör sågen stödas mot stammen. Använd inte spetsen på svärdet på grund av kastrisken.

Var särskilt uppmärksam på grenar som är i spänn.

Såga inte i fritt hängande grenar från undersidan.

Stå inte på det avverkade trädet vid kvistning.

Spårsågning och sågning parallellt med träfibrerna

⚠FÖRSIKTIGT: Spårsågning och sågning parallellt med träfibrerna får endast utföras av personer med särskild utbildning. Kastrisken och olycksrisken är stor.

Sågning parallellt med träfibrerna ska göras i så liten vinkel som möjligt. Var extra försiktig när du skär eftersom barkskyddet inte kan användas.

► Fig.28

Trädfällning

⚠FÖRSIKTIGT: Fällning av träd får endast utföras av särskilt utbildade personer. Arbetet är riskfyllt.

lakta gällande föreskrifter vid fällning av träd.

► Fig.29: 1. Trädfällningsområde

- Innan du påbörjar arbetet ska du kontrollera att:
 - Inga obehöriga finns inom området.
 - Alla inblandade personer måste ha en säker reträttväg inom ett område av ca 45° på vardera sidan av fällriktningen. Eventuella elkablar som kan finnas i fällområdet måste lokaliseras.
 - Det får inte finnas hindrande föremål t ex rötter och grenar på trädets rotel.
 - Personer eller föremål får inte finnas inom ett avstånd av 2 1/2 trädlängder i trädets fällriktning.
 - Beakta följande för respektive träd:
 - Lutningsriktning.
 - Lösa eller torra grenar.
 - Trädets höjd.
 - Naturliga överhäng.
 - Eventuell röta i trädet.
 - Beakta vindhastighet och vindriktning. Fäll inte träd när starka vindbyar förekommer.
 - Trimming av rötter: Börja med de största rotutskotten. Såga det vertikala skäret först och därefter det horisontella.
 - Stå vid sidan av det fallande trädet. Se till att området bakom trädet är tomt i en vinkel av 45° på båda sidor av trädets axel (se figuren med "fällområdet"). Var uppmärksam på fallande grenar.
 - En flyktväg ska planeras och eventuella hinder undanröjas innan sågningen påbörjas. Flyktvägen ska gå bakåt och diagonalt till den gräns som trädet förväntas att falla, såsom visas i figuren.
- Fig.30: 1. Fällriktning 2. Farrow 3. Flyktväg

Vid trädfällning måste följande procedur följas:

1. Anlägg riktskåret så nära marken som möjligt. Såga först det horisontella skäret till ett djup på 1/5 - 1/3 av stamdiametern. Gör inte skäret för långt. Såga därefter det diagonala skäret.

► Fig.31

OBS: Riktskåret bestämmer fällriktningen och styr trädet. Riktskåret görs på den sida som trädet ska falla åt.

2. Såga fällskåret litet högre upp än riktskårets horisontella skär. Fällskåret måste vara exakt horisontellt. Lämna ungefär 1/10 av stamdiametern mellan fällskär och riktskär. Träfibrerna i den osågade delen fungerar som ett gångjärn. Sätt i fällkilar i fällskåret så snart skärdjupet är tillräckligt.

► Fig.32

⚠VARNING: Såga under inga omständigheter genom alla träfibrer. I annat fall faller trädet okontrollerat.

OBSERVERA: Endast kilar av plast eller aluminium får användas för att hålla fällskåret öppet. Järnkilar får inte användas.

Bära maskinen

Innan du lyfter upp verktyget måste du applicera kedjebromsen och ta loss batterikassetten från verktyget. Sätt sedan dit svärdskyddet. Täck också batterikassetten med batteriskyddet.

► **Fig.33:** 1. Svärdskydd 2. Batterikåpa

UNDERHÅLL

⚠ FÖRSIKTIGT: Se alltid till att maskinen är avstängd och batterikassetten borttagen innan inspektion eller underhåll utförs.

⚠ FÖRSIKTIGT: Använd alltid handskar vid kontroller och underhåll.

OBSERVERA: Använd inte bensin, förtunningsmedel, alkohol eller liknande. Missfärgning, deformation eller sprickor kan uppstå.

För att upprätthålla produktens SÄKERHET och TILLFÖRLITLIGHET bör allt underhålls- och justeringsarbete utföras av ett auktoriserat Makita servicecenter och med reservdelar från Makita.

Filning av sågkedja

Fila kedjan när:

- Du får spåndamm när du säger i fuktigt trä.
- Kedjan har svårt att säga trots att du trycker hårt med sågen.
- Skärtänderna är synbart skadade.
- Sågen drar åt vänster eller höger i träet (Orsakas av att filningen av sågkedjan har blivit ojämn eller skadad på någon av sidorna.)

Fila sågkedjan lite men ofta. Två eller tre drag med filen är oftast tillräckligt vid rutinmässig filning. Lämna sågkedjan för filning hos vårt auktoriserade servicecenter när du har filat om den många gånger.

Filningskriterier:

⚠ VARNING: Ett överdrivet avstånd mellan skäret och djupmätaren ökar risken för bakåtkast.

► **Fig.34:** 1. Såglängd 2. Avstånd mellan skärlängd och djupmätaren 3. Minsta skärlängd (3 mm)

- Alla skärtänder måste vara lika långa. Olika längd på skärtänderna förhindrar att kedjesågen går jämnt och kan leda till kedjebrott.
- Slipa inte en kedja vars skärtänder har en längd som är 3 mm eller mindre. Kedjan måste bytas mot en ny.
- Spåntjockleken bestäms av avståndet mellan underställningsklacken (rund nos) och skärtanden.
- Det bästa sågresultatet uppnås med följande höjdskillnad mellan skärtand och underställningsklack.
 - Kedjebblad 90PX: 0,65 mm

► **Fig.35**

- Filningsvinkeln ska vara 30° och måste vara densamma för alla skärtänder. Skillnader i vinkel får kedjan att löpa ryckigt och ojämnt, slitaget ökar och det leder till kedjebrott på kedjan.
- Använd en lämplig rundfil så att korrekt vinkel hålls på tänderna.
 - Kedjebblad 90PX : 5°

Fil och filningsanvisningar

- Fila kedjan med en specialrundfil (valfritt tillbehör) för sågkedjor. Använd inte standard rundfil.
- Diametern för rundfilen för varje sågkedja är följande:
 - Kedjebblad 90PX: 4,5 mm
- Fila endast med skjutande tag. Lyft filen från skärtanden när du för filen bakåt.
- Fila den kortaste skärtanden först. Längden för den kortaste skärtanden blir standard för alla andra skärtänder på sågkedjan.
- För filen på det sätt som framgår av figuren.

► **Fig.36:** 1. Fil 2. Sågkedja

- Det går lättare att fila om en filmall (tillbehör) används. Filmallen har markeringar för rätt filningsvinkel 30° (rikta in markeringarna parallellt med sågkedjan), och begränsar filningsdjupet (till 4/5 av filediametern).

► **Fig.37:** 1. Filhållare

- Kontrollera höjden på underställningsklacken med hjälp av specialverktyget (tillbehör) när kedjan är färdigfilad.

► **Fig.38**

- Ta bort eventuellt utskjutande material, avsett hur litet, med en speciell plattfil (tillbehör).
- Runda av främre delen av underställningsklacken igen.

Rengöring av svärdet

Spån och damm kommer att sätta igen spåret i svärdet. De kan sätta igen spåret i svärdet och försämrar oljeflödet. Rensa bort spån och damm varje gång när sågkedjan slipas eller byts ut.

► **Fig.39**

Rengöra kedjedrevskåpan

Spån och damm ackumuleras inne i kedjedrevskåpan. Ta bort kedjedrevskåpan och sågkedjan från verktyget och gör rent från spån och damm.

► **Fig.40**

Rengöring av oljematningshålet

Fint damm eller små partiklar kan byggas upp i oljematningshålet under användning. Detta damm eller små partiklar kan försämrare flödet av oljematningen och orsaka otillräcklig smörjning av hela sågkedjan. När oljematningsflödet försämrats på svärdspetsen ska oljematningshålet rengöras på följande sätt.

1. Ta bort kedjedrevskåpan och sågkedjan från maskinen.
 2. Ta bort fint damm eller små partiklar med en spårskruvmejsel eller liknande.
- **Fig.41:** 1. Spårskruvmejsel 2. Oljematningshål

3. Sätt i batterikassetten i maskinen. Tryck in avtryckaren för att få bort damm eller partiklar som satt igen oljematningshålet genom att släppa ut kedjeolja.
4. Ta bort batterikassetten från maskinen. Sätt tillbaka kedjedrevskåpan och sågkedjan på maskinen.

Utbyte av kedjehjulet

⚠ FÖRSIKTIG: Ett slitet kedjehjul förorsakar skador på sågkedjan. Byt ut kedjehjulet om det är slitet.

Kontrollera konditionen på kedjehjulet innan en ny kedja monteras.

► Fig.42: 1. Kedjehjul 2. Slitna områden

Montera alltid en ny låsring samtidigt som du byter kedjehjul.

► Fig.43: 1. Låsring 2. Kedjehjul

OBSERVERA: Se till att kedjehjulet är installerat enligt figuren.

Förvara verktyget

1. Rengör maskinen innan förvaring. Ta bort spån och sågdamm från maskinen efter att kedjedrevskåpan är borttagen.
2. Kör maskinen utan belastning för att smörja sågkedjan och svärdet efter rengöringen.
3. Täck över svärdet med svärdskyddet.
4. Töm oljetanken.

Instruktioner för periodiskt underhåll

För att garantera lång livslängd, förebygga skador och säkerställa att säkerhetsfunktionerna fungerar måste följande underhåll utföras regelbundet. Garanti lämnas endast om dessa arbeten utförs regelbundet och på föreskrivet sätt. Om det föreskrivna underhållet inte utförs kan allvariga olyckor uppstå! Användaren av kedjesågen ska inte utföra underhållsarbeten som inte finns beskrivna i bruksanvisningen. Alla sådana arbeten ska utföras av ett auktoriserat servicecenter.

Kontrollera föremålet/ drifttiden		Före användning	Varje dag	Varje vecka	Var tredje månad	Varje år	Innan förvaring
Kedjesåg	Inspektion.	✓	-	-	-	-	-
	Rengöring.	-	✓	-	-	-	-
	Kontakta ett auktoriserat servicecenter.	-	-	-	-	✓	✓
Sågkedja	Inspektion.	✓	-	-	-	-	-
	Slipning vid behov.	-	-	-	-	-	✓
Svärd	Inspektion.	✓	✓	-	-	-	-
	Ta bort från kedjesågen.	-	-	-	-	-	✓
Kedjebroms	Kontrollera funktion.	✓	-	-	-	-	-
	Låt inspektera regelbundet av ett auktoriserat servicecenter.	-	-	-	✓	-	-
Kedjesmörjning	Kontrollera oljemätningshastigheten.	✓	-	-	-	-	-
Avtryckare	Inspektion.	✓	-	-	-	-	-
Startspärr	Inspektion.	✓	-	-	-	-	-
Oljetanklock	Kontrollera stramhet.	✓	-	-	-	-	-
Kedjefångare	Inspektion.	-	-	✓	-	-	-
Skruvur och muttrar	Inspektion.	-	-	✓	-	-	-

FELSÖKNING

Innan du ber om reparation ska du först utföra en egen kontroll. Om du hittar ett problem som inte finns förklarat i bruksanvisningen ska du inte försöka att ta isär maskinen. Fråga istället ett auktoriserad servicecenter för Makita, och använd alltid reservdelar från Makita för reparationer.

Felstatus	Orsak	Atgärd
Kedjesågen startar inte.	Batterikassetten är inte installerad.	Sätt i en laddad batterikasset.
	Batteriproblem (låg spänning).	Ladda upp batterikassetten. Om uppladdningen inte hjälper, byt ut batterikassetten.
Kedjesågen fungerar inte.	Kedjebroms aktiverad.	Lossa kedjebromsen.
Motorn stannar efter en kort stunds användning.	Batterinivån är låg.	Ladda upp batterikassetten. Om uppladdningen inte hjälper, byt ut batterikassetten.
Ingen olja på kedjan.	Oljetanken är tom.	Fyll på oljetanken.
	oljekanalerna är smutsiga.	Gör rent spår.
Kedjesågen når inte det maximala varvtalet.	Batterikassetten är felaktigt insatt.	Sätt dit batterikassetten enligt anvisningarna i denna bruksanvisning.
	Batterinivån sjunker.	Ladda upp batterikassetten. Om laddning inte hjälper byter du ut batterikassetten.
	Drivsystemet fungerar inte som det ska.	Fråga ett auktoriserat servicecenter i din region avseende reparation.
Kedjan stannar inte även om kedjebromsen är aktiverad: Stoppa verktyget omedelbart!	Bromsbandet är slitet.	Fråga ett auktoriserat servicecenter i din region avseende reparation.
Onormal vibration: Stoppa verktyget omedelbart!	Lossa svärdet eller kedjesågen.	Justera svärdet och kedjespänningen.
	Verktysfel.	Fråga ett auktoriserat servicecenter i din region avseende reparation.
Sågkedjan kan inte monteras.	Kombinationen av sågkedja och kedjedrev är inte korrekt.	Använd den rätta kombinationen av sågkedja och kedjedrev med hjälp av avsnittet med specifikationer.

VALFRIA TILLBEHÖR

⚠ FÖRSIKTIGT: Följande tillbehör eller tillsatser rekommenderas för användning med den Makita-maskin som denna bruksanvisning avser. Om andra tillbehör eller tillsatser används kan det uppstå risk för personskador. Använd endast tillbehören eller tillsatserna för de syften de är avsedda för.

Kontakta ditt lokala Makita servicecenter om du behöver ytterligare information om dessa tillbehör.

- Sågkedja
- Svärd
- Svärdskydd
- Fil
- Verktysväska
- Makitas originalbatteri och laddare

⚠ VARNING: Om du köper ett svärd med en annan längd än standardsvärd måste du även köpa ett lämpligt svärdskydd. Det måste passa och helt täcka kedejsågens svärdskydd.

OBS: Några av tillbehören i listan kan vara inkluderade i maskinpaketet som standardtillbehör. De kan variera mellan olika länder.

TEKNISKE DATA

Modell:		DUC307	DUC357	DUC407
Samlet lengde (uten føringsstang)		428 mm		
Nominell spenning		DC 18 V		
Nettvekt	*1	2,9 kg		
	*2	4,2 - 4,3 kg		
Standard sverdlengde		300 mm	350 mm	400 mm
Anbefalt sverdlengde		300–400 mm		
Egnet sagkjedetype (se tabellen nedenfor)		90PX		
Kjedehjul	Antall tenner	6		
	Vinkel	3/8°		
Kjedehastighet		0 - 7,7 m/s (0 - 460 m/min)		
Volum kjedeoljetank		150 cm ³		

- På grunn av vårt kontinuerlige forsknings- og utviklingsprogram kan spesifikasjonene som oppgis i dette dokumentet endres uten varsel.
 - Spesifikasjonene kan variere fra land til land.
- *1: Vekt, uten sagkjedet, sverdet, sverddekselet, olje og batteri(er).
 *2: Den letteste og tyngste vektkombinasjonen i henhold til EPTA-prosedyre 01/2014. Vekten kan variere avhengig av tilbehøret/tilbehørene, inkludert batteriet/batteriene.

Kombinasjonen sagkjede, sverd og kjedehjul

Sagkjedetype		90PX		
Antall drivkjeder		46	52	56
Sverd	Sverdlengde	300 mm	350 mm	400 mm
	Skjærelengde	275 mm	330 mm	370 mm
	Vinkel	3/8°		
	Måleinnetning	1,1 mm		
	Type	Feste for kjedehjul		
Kjedehjul	Antall tenner	6		
	Vinkel	3/8°		

⚠ ADVARSEL: Bruk riktig kombinasjon av sverd og sagkjede. Ellers kan det medføre alvorlige personskader.

Passende batteri og lader

Batteriinnsett	BL1830B / BL1840B / BL1850B / BL1860B
Lader	DC18RC / DC18RD / DC18RE / DC18SD / DC18SE / DC18SF / DC18SH

- Noen av batteriene og laderne som er opplistet ovenfor er kanskje ikke tilgjengelige, avhengig av hvor du bor.

⚠ ADVARSEL: Bruk kun de batteriene og laderne som er opplistet ovenfor. Bruk av andre batterier og ladere kan føre til personskader og/eller brann.















Anbefalt ledning koblet til strømkilde

Bærbær lader	PDC01
--------------	-------

- De(n) ledningstilkoblede strømkilden(e) som er oppgitt ovenfor er kanskje ikke tilgjengelige, avhengig av hvor du bor.
- Før du bruker de ledningstilkoblede strømkildene, må du lese instruksjons- og forsiktighetsskilt på dem.

Symboler

Nedenfor ser du symbolene som kan brukes for dette utstyret. Forviss deg om at du forstår hva de betyr, før du begynner å bruke maskinen.

	Les bruksanvisningen.
 	Bruk vernebriller.
 	Bruk hørselsvern.
	Maksimalt tillatt skjærelengde
	Du må alltid bruke begge hender når du bruker motorsagen.
	Vær oppmerksom på at motorsagen kan ha et tilbakeslag, og unngå kontakt med stangspissen.
	Må ikke utsettes for fuktighet.
	Kjedets rotasjonsretning
	Justering av oljen til sagkjede
	Kun for EU-land På grunn av forekomst av farlige komponenter i utstyret, kan avfall fra elektrisk og elektronisk utstyr, akkumulatører og batterier ha en negativ innvirkning på miljøet og menneskers helse. Ikke kast elektriske og elektroniske apparater eller batterier sammen med husholdningsavfall! I samsvar med det europeiske direktivet om avfall fra elektrisk og elektronisk utstyr og om akkumulatører og batterier samt akkumulatører og batterier som skal kastes, samt deres tilpasning til nasjonal lovgivning, skal brukt elektrisk utstyr samt brukte batterier og akkumulatører samles inn separat og leveres til et eget innsamlingssted for kommunalt avfall, som driver virksomhet i samsvar med miljøvernforordningene. Dette er angis av symbolet med den overkryssede avfallsbeholderen som er plassert på utstyret.
	Garantert lydeffektivitet i henhold til EU-direktivet om støy fra utstyr til utendørs bruk.
	Lydeffektivitet i henhold til Australia NSW støykontrollforskrift

Riktig bruk

Motorsagen er beregnet på saging i tre.

Støy

Typisk A-vektet lydtrykknivå er bestemt i henhold til EN62841-4-1:

Modell DUC307

Lydtrykknivå (L_{pA}): 86 dB (A)
Lydeffektivitet (L_{WA}): 97 dB (A)
Usikkerhet (K): 3 dB (A)

Modell DUC357

Lydtrykknivå (L_{pA}): 86 dB (A)
Lydeffektivitet (L_{WA}): 97 dB (A)
Usikkerhet (K): 3 dB (A)

Modell DUC407

Lydtrykknivå (L_{pA}): 86 dB (A)
Lydeffektivitet (L_{WA}): 97 dB (A)
Usikkerhet (K): 3 dB (A)

MERK: Den/de oppgitte verdien(e) for genererte vibrasjoner har blitt målt i henhold til standard testmetoder, og kan bli brukt til å sammenligne ett verktøy med et annet.

MERK: Den/de angitte verdien(e) for de genererte vibrasjonene kan også brukes til en foreløpig vurdering av eksponeringen.

⚠ ADVARSEL: Bruk hørselsvern.

⚠ ADVARSEL: De genererte vibrasjonene ved faktisk bruk av elektroverktøyet kan avvike fra den/de angitte vibrasjonsverdien(e), avhengig av hvordan verktøyet brukes.

⚠ ADVARSEL: Sørg for å identifisere vernetiltak for å beskytte operatøren, som er basert på et estimat av eksponeringen under de faktiske bruksforholdene (idet det tas hensyn til alle deler av driftssyklusen, dvs. hvor lenge verktøyet er slått av, hvor lenge det går på tomgang og hvor lenge startbryteren faktisk holdes trykket).

Vibrasjoner

Den totale vibrasjonsverdien (triaksial vektorsum) bestemt i henhold EN62841-4-1:

Modell DUC307

Arbeidsmodus: saging av tre
Genererte vibrasjoner ($a_{h,w}$): 5,4 m/s²
Usikkerhet (K): 1,5 m/s²

Modell DUC357

Arbeidsmodus: saging av tre
Genererte vibrasjoner ($a_{h,w}$): 5,4 m/s²
Usikkerhet (K): 1,5 m/s²

Modell DUC407

Arbeidsmodus: saging av tre
Genererte vibrasjoner ($a_{h,w}$): 5,4 m/s²
Usikkerhet (K): 1,5 m/s²

MERK: Den/de oppgitte verdien(e) for totalt genererte vibrasjoner har blitt målt i henhold til standard testmetoder, og kan bli brukt til å sammenligne ett verktøy med et annet.

MERK: Den/de angitte verdien(e) for totalt genererte vibrasjoner kan også brukes til en foreløpig vurdering av eksponeringen.

⚠ ADVARSEL: De genererte vibrasjonene ved faktisk bruk av elektroverktøyet kan avvike fra den/de angitte vibrasjonsverdien(e), avhengig av hvordan verktøyet brukes og spesielt i forhold til arbeidsstykket som blir behandlet.

⚠ ADVARSEL: Sørg for å identifisere vernetil-tak for å beskytte operatøren, som er basert på et estimat av eksponeringen under de faktiske bruksforholdene (idet det tas hensyn til alle deler av driftsnyklusen, dvs. hvor lenge verktøyet er slått av, hvor lenge det går på tomgang og hvor lenge startbryteren faktisk holdes trykket).

EFs samsvarserklæring

Gjelder kun for land i Europa

EFs samsvarserklæring er lagt til som vedlegg A i denne bruksanvisningen.

SIKKERHETSADVARSEL

Generelle advarsler angående sikkerhet for elektroverktøy

⚠ ADVARSEL: Les alle sikkerhetsadvarsler, instruksjoner, illustrasjoner og spesifikasjoner som følger med dette elektroverktøyet. Hvis ikke alle instruksjonene nedenfor følges, kan det forekomme elektrisk støt, brann og/eller alvorlig skade.

Oppbevar alle advarsler og instruksjoner for senere bruk.

Uttrykket «elektrisk verktøy» i advarslene refererer både til elektriske verktøy (med ledning) tilkoblet strømmenett, og batteridrevne verktøy (uten ledning).

Generelle sikkerhetsadvarsler for motorsag

1. **Hold alle kroppsdeler unna sagkjedet når motorsagen er i gang. Før du starter motorsagen må du forvisse deg om at kjedet ikke er borti noe.** Et øyeblikks uoppmerksomhet mens du bruker motorsagen kan være nok til å sette fast klærne eller kroppsdeler i sagkjedet.
2. **Du må alltid holde motorsagen med høyre hånd på det bakre håndtaket og venstre hånd på det fremre håndtaket.** Hvis du holder motorsagen på motsatt vis, øker dette risikoen for personskade. Ikke hold utstyret på denne måten.
3. **Hold motorsagen kun i de isolerte gripeflatene, etter- som sagkjedet kan komme i kontakt med skjulte ledninger.** Hvis et sagkjede kommer i kontakt med en strømførende ledning, vil også uisolerte deler av motorsagen gjøres strømførende og kunne gi operatøren elektrisk støt.
4. **Bruk beskyttelsesbriller.** Det anbefales å bruke ytterligere verneutstyr for hørsel, hode, hender, bein og føtter. Egnert verneutstyr vil redusere personskadene som følge av flygende flis eller utilsikket kontakt med sagkjedet.

5. **Ikke bruk en motorsag mens du er oppe i et tre, på et tak eller på et ustabil underlag.** Hvis du bruker en motorsag på denne måten, kan det føre til alvorlige personskader.
6. **Pass på alltid å ha godt fotfeste, og bruk motorsagen kun når du står på et fast, trygt og jevnt underlag.** Glatte og våte overflater kan forårsake at du kommer ut av balanse eller mister kontrollen over motorsagen.
7. **Når du kutter en gren som står i spenn, må du være forberedt på å måtte hoppe tilbake.** Når spenningen i trefibrene utløses, vil den fjærbelastede grenen kunne slå til operatøren og/eller kaste motorsagen ut av kontroll.
8. **Vær ekstremt forsiktig ved kutting av buskvekster og ungrær.** Det tynne materialet kan sette seg fast i sagkjedet og piskes mot deg eller trekke deg ut av likevekt.
9. **Motorsagen må kun bæres etter fronthåndtaket, og den må være slått av og peke bort fra kroppen din. Ved transport eller lagring av motorsagen må sverddekslet alltid settes på.** Korrekt håndtering av motorsagen vil redusere sannsynligheten for at du ved et ulykkestilfelle kommer borti det roterende sagkjedet.
10. **Følg instruksjonene for smøring, kjedestramming og utskifting av sverdet og kjedet.** Et kjede som ikke er strammet eller smurt på riktig måte, kan enten knekke eller øke sjansen for tilbakeslag.
11. **Bruk sagen kun til tre. Ikke bruk motorsagen til annet enn det den er konstruert for. For eksempel: Ikke bruk motorsagen til å kutte metall, plast, mur eller andre byggematerialer enn tre.** Hvis motorsagen brukes til annet enn det den er konstruert for, kan det oppstå farlige situasjoner.
12. **Ikke gjør forsøk på å felle et tre før du har en god forståelse av farene og hvordan de kan unngås.** Operatøren eller tilskuere kan bli alvorlig skadet under trefelling.
13. **Årsaker til tilbakeslag og hvordan operatøren kan forhindre dette:**
Det kan oppstå tilbakeslag hvis spissen av føringsstangen kommer borti en gjenstand, eller når treet lukker seg og klemmer fast sagkjedet i snittet.
I noen tilfeller kan det å komme borti noe med spissen føre til en plutselig motsatt rettet reaksjon, så føringsstangen kastes oppover og tilbake mot operatøren.
Hvis sagkjedet kommer i klem langs oversiden av føringsstangen, kan føringsstangen slås raskt tilbake mot operatøren.
Begge disse reaksjonene kan føre til at du mister kontrollen over saken, noe som kan føre til alvorlige personskader. Ikke stol utelukkende på sikkerhetsanordningene som er innebygd i saken din. Som bruker av en motorsag bør du treffe flere tiltak for å sikre at sagejobbene dine foregår uten ulykker eller skader.
Tilbakeslag er et resultat av feil bruk av motorsagen og/eller feilaktige arbeidsprosedyrer eller arbeidsforhold, og kan unngås ved å ta de rette forholdsreglene (se nedenfor).

- **Hold maskinen i et fast grep med begge hender, slik at tomlene og fingrene ligger rundt håndtakene på motorsagen, og hold kroppen og armene dine slik at de kan motstå kraften fra maskinen i tilfelle den slår tilbake mot deg.** Kraften i tilbakeslaget kan kontrolleres av operatøren, hvis vedkommende tar sine forholdsregler. Ikke slipp motorsagen.

► Fig.1

- **Ikke len deg over verktøyet eller skjær over skulderhøyde.** På denne måten kan du unngå at du uforvarende kommer borti noe med spissen av sverdet, og du får bedre kontroll med motorsagen i uventede situasjoner.
 - **Bare bruk reservesverd og -sagkjeder som er angitt av produsenten.** Feil reservesverd og -sagkjeder kan føre til kjedebrudd og/eller tilbakeslag.
 - **Følg produsentens slipe- og vedlikeholdsanvisninger for sagkjedet.** Hvis du reduserer høyden på rytterne kan du komme til å øke faren for tilbakeslag.
14. **Følg alle instruksjoner ved fjerning av materiale som sitter fast, oppbevarer eller vedlikeholder motorsagen. Sørg for at bryteren er av og batteripakken er fjernet.** Uventet aktivering av motorsagen mens du fjerner materiale som sitter fast eller utfører vedlikehold, kan forårsake alvorlige personskader.

Flere sikkerhetsanvisninger

Personlig verneutstyr

1. Klærne må være tette, men de må ikke gjøre det vanskelig å bevege seg fritt.
2. Bruk følgende verneklær under arbeidet:
 - Godkjent vernehjelm, hvis det kan være fare for fallende grener eller liknende
 - Ansiktsmaske eller vernebriller
 - Passende hørselsvern (øreklokker, tilpassede eller formbare øreplugg) Oktavanalyse på forespørsel.
 - Faste vernehansker av skinn
 - Langbukser laget av sterkt stoff
 - Vernebukser av et materiale som er motstandsdyktig mot kutt
 - Vernesko eller -støvler med sklisikre såler, ståltupp og er laget av et materiale som motstandsdyktig mot kutt
 - Pustemaske ved arbeid som produserer støv (f.eks. Saging av tørt tre).

Bruk

1. **Før du begynner å jobbe, må du kontrollere at motorsagen er funksjonsdyktig og i så god stand at den oppfyller sikkerhetskravene. Kontroller særlig at:**
 - Kjedebremsen virker som den skal
 - Utkoblingsbremsen virker som den skal
 - Sverdet og kjedehjulbeskyttelsen er satt riktig på
 - Kjedet er slipt og strammet i samsvar med retningslinjene.
2. **Ikke start motorsagen mens kjededeksløst monteres.** Dette kan medføre personskader og skader på gjenstander i området rundt brukeren.

Elektrisk sikkerhet og batterisikkerhet

1. **Unngå farlige omgivelser. Ikke bruk verktøyet i fuktige eller våte omgivelser, og ikke utsett det for regn.** Hvis det kommer vann inn i verktøyet, vil risikoen for elektriske støt øke.
2. **Ikke kast batteriet (batteriene) på åpen ild.** Cellen kan eksplodere. Batterier skal leveres til en forhandler av elektruttstyr eller til et kommunalt avfallsmottak.
3. **Ikke åpne eller ødelegg batteriet (batteriene).** Elektrolytt som lekker ut er korroderende, og kan forårsake skader på øyne og hud. Den kan være giftig hvis den svelges.
4. **Ikke skift batteri når det regner, eller i fuktige omgivelser.**
5. **Ikke lad batteriet utendørs.**
6. **Ikke håndter laderen, inkludert laderstøpset og laderterminalene, med våte hender.**
7. **Ikke skift ut batteriet når det regner.**
8. **Ikke skift ut batteriet med våte hender.**
9. **Ikke la batteriet stå ute i regnet, og du må heller ikke lade, bruke eller oppbevare batteriet på et fuktig eller vått sted.**
10. **Ikke fukt terminalen eller batteriet med væsker som vann, og ikke dykk batteriet i vann.** Hvis terminalen blir våt eller det trenger vann inn i batteriet, kan batteriet kortslutte, og det er risiko for overoppheting, brann eller eksplosjon.
11. **Når du har tatt batteriet ut av maskinen eller laderen, må du sørge for å feste batteridekselet til batteriet og oppbevare det på et tørt sted.**
12. **Hvis batteriet blir vått, tømmer du batteriet for vann og tørker det med en tør klut. Tørk batteriet helt på et tørt sted før bruk.**

TA VARE PÅ DISSE INSTRUKSJONENE.

⚠ ADVARSEL: IKKE LA hensynet til hva som er "behagelig" eller det faktum at du kjenner produktet godt (etter mange gangers bruk) gjøre deg mindre oppmerksom på sikkerhetsreglene for bruken av det aktuelle produktet. Ved MISBRUK eller hvis ikke sikkerhetsreglene i denne bruksanvisningen følges, kan det oppstå alvorlig personskade.

Viktige sikkerhetsanvisninger for batteriinnsetning

1. **Før du begynner å bruke batteriet, må du lese alle anvisninger og forsiktighetsregler på (1) batteriladeren, (2) batteriet og (3) det produktet batteriet skal brukes i.**
2. **Ikke demonter eller tukle batteriet.** Det kan føre til brann, overoppheting eller eksplosjon.
3. **Hvis driftstiden er blitt vesentlig kortere, må du omgående slutte å bruke maskinen. Hvis ikke kan resultatet bli overoppheting, mulige forbrenninger eller til og med en eksplosjon.**
4. **Hvis du får elektrolytt i øynene, må du skylle dem med store mengder rennende vann og oppsøke lege med én gang. Denne typen uhell kan føre til varig blindhet.**

5. **Ikke kortslutt batteriet:**
 - (1) De kan være ekstremt varme og du kan brenne deg.
 - (2) Ikke lagre batteriet i samme beholder som andre metallgjenstander, som for eksempel spiker, mynter osv.
 - (3) Ikke la batteriet komme i kontakt med vann eller regn.

En kortslutning av batteriet kan føre til et kraftig strømstøt, overoppvarming, mulige forbrenninger og til og med til at batteriet går i stykker.
6. Ikke oppbevar og bruk verktøyet og batteriet på steder hvor temperaturen kan komme opp i eller overskride 50 °C.
7. Ikke sett fyr på batteriet, ikke engang om det er sterkt skadet eller helt utslitt. Batteriet kan eksplodere hvis det begynner å brenne.
8. Du må ikke spikre, skjære, klemme, kaste eller miste batteriet, og heller ikke slå en hard gjenstand mot batteriet. En slik oppførsel kan føre til brann, overoppheting eller eksplosjon.
9. Ikke bruk batterier som er skadet.
10. **Lithium-ion-batteriene som medfølger er gjenstand for krav om spesialavfall.**
For kommersiell transport, f.eks av tredjeparter eller speditorer, må spesielle krav om pakking og merking følges.
Før varen blir sendt, må du forhøre deg med en ekspert på farlig materiale. Ta også hensyn til muligheten for mer detaljerte nasjonale bestemmelser.
Bruk teip eller maskeringsteip for å skjule åpne kontakter og pakk inn batteriet på en slik måte at den ikke kan bevege seg rundt i emballasjen.
11. **Når du kasserer batteriinnsetsen, må du ta den ut av verktøyet og avhende den på et sikkert sted. Følg lokale bestemmelser for avhendig av batterier.**
12. **Bruk batteriene kun med produkter spesifisert av Makita.** Montere batteriene i produkter som ikke er konforme kan føre til brann, overheting eller elektrolyttlekkasje.
13. **Hvis verktøyet ikke skal brukes over en lengre periode, må batteriet tas ut av verktøyet.**
14. **Under og etter bruk kan batteriet bli varmt og føre til brannskader. Vær forsiktig med håndteringen av varme batterier.**
15. **Ikke berører terminalen på verktøyet rett etter bruk, da den kan bli varm og forårsake brannskader.**
16. **Ikke la spon, støv eller jord sette seg fast i terminalene, hullene og sporene i batteriet.** Det kan føre til at batteriet eller verktøyet blir overopphetet, begynner å brenne, sprekker eller ikke fungerer som det skal, og forårsake brannskader eller personskaade.
17. **Med mindre verktøyet støtter bruk nær en høyspent strømlinje, skal ikke batteriet brukes nær en høyspent strømlinje.** Det kan føre til en funksjonsfeil eller at verktøyet eller batteriet slutter å fungere.
18. **Oppbevar batteriet utilgjengelig for barn.**

TA VARE PÅ DISSE INSTRUKSENE.

⚠FORSIKTIG: Bruk kun originale Makita-batterier. Bruk av batterier som har endret seg, eller som ikke er originale Makita-batterier, kan føre til at batteriet sprekker og forårsaker brann, personskaader og andre skader. Det vil også ugyldiggjøre garantien for Makita-verktøyet og -laderen.

Tips for å opprettholde maksimal batterilevetid

1. **Lad batteriinnsetsen før den er helt utladet. Stopp alltid driften av verktøyet og lad batteriinnsetsen når du merker at effekten reduseres.**
2. **Lad aldri en batteriinnsets som er fulladet. Overopplading forkorter batteriets levetid.**
3. **Lad batteriet i romtemperatur ved 10 °C - 40 °C. Et varmt batteri må kjøles ned før lading.**
4. **Når batteriet ikke er bruk, skal det tas ut av verktøyet eller laderen.**
5. **Lad batteriet hvis det ikke har vært brukt på en lang stund (over seks måneder).**

DELEBESKRIVELSE

► Fig.2

1	Vern for håndtaket foran	2	Spak	3	Sverd
4	Sagkjede	5	Sverddekse	6	AV-sperreknapp
7	Håndtak bak	8	Startbryter	9	Batteriinnsets
10	Håndtak foran	11	Oljetankklokk	12	Støtnagle
13	Kjedefanger	14	Justeringshjul	-	-

FUNKSJONSBEKRIVELSE

⚠️FORSIKTIG: Forviss deg alltid om at maskinen er slått av og batteriet tatt ut før du justerer maskinen eller kontrollerer dens mekaniske funksjoner.

Sette inn eller ta ut batteri

⚠️FORSIKTIG: Slå alltid av verktøyet før du setter inn eller fjerner batteriet.

⚠️FORSIKTIG: Hold verktøyet og batteripatronen i et fast grep når du monterer eller fjerner batteripatronen. Hvis du ikke holder verktøyet og batteripatronen godt fast, kan du miste grepet, og dette kan føre til skader på verktøyet og batteripatronen samt personskafer.

► **Fig. 3:** 1. Rød indikator 2. Knapp 3. Batteriinnsetts

Før å ta ut batteriet må du skyve på knappen foran på batteriet og trekke det ut.

Når du skal sette inn batteriet, må du plassere tungen på batteriet på linje med sporet i huset og skyve batteriet på plass. Skyv det helt inn til det går i inngrep med et lite klikk. Hvis du kan se den røde indikatoren som vist i figuren, er det ikke helt låst.

⚠️FORSIKTIG: Batteriet må alltid settes helt inn, så langt at den røde indikatoren ikke lenger er synlig. Hvis dette ikke gjøres, kan batteriet falle ut av verktøyet og skade deg eller andre som oppholder seg i nærheten.

⚠️FORSIKTIG: Ikke bruk makt når du setter i batteriet. Hvis batteriet ikke glir lett inn, er det fordi det ikke settes inn på riktig måte.

Indikere gjenværende batterikapasitet

Kun for batterier med indikatoren

► **Fig. 4:** 1. Indikatorlamper 2. Kontrollknapp

Trykk på sjekk-knappen på batteriet for vise gjenværende batterikapasitet. Indikatorlampene lyser i et par sekunder.

Indikatorlamper			Gjenværende batterinivå
Tent	Av	Bliker	
■	□	▬	
■ ■ ■ ■			75 % til 100 %
■ ■ ■ □			50 % til 75 %
■ ■ □ □			25 % til 50 %
■ □ □ □			0 % til 25 %
▬ □ □ □			Lad batteriet.
■ ■ □ □			Batteriet kan ha en feil.
□ □ ■ ■			

MERK: Det angitte nivået kan avvike noe fra den faktiske kapasiteten alt etter bruksforholdene og den omgivende temperaturen.

MERK: Den første (helt til venstre) indikatorlampen vil blinke når batterivernsystemet fungerer.

Batterivernsystem for verktøy/batteri

Verktøyet er utstyrt med et batterivernsystem for verktøy/batteri. Dette systemet kutter automatisk strømmen til motoren for å forlenge verktøyet og batteriets levetid. Verktøyet stopper automatisk under drift hvis verktøyet eller batteriet utsettes for en av følgende tilstander:

Overlastsikring

Når verktøyet eller batteriet brukes på en måte som gjør at det bruker unormalt mye strøm, vil verktøyet stoppe automatisk. Hvis dette skjer, må du slå av verktøyet og avslutte bruken som forårsaket at verktøyet ble overbelastet. Slå deretter verktøyet på for å starte det igjen.

Overopphetingsvern

Når verktøyet eller batteriet blir overopphetet, stanser verktøyet automatisk. I dette tilfellet lar du verktøyet og batteriet avkjøles før du starter verktøyet på nytt.

MERK: Overopphetingsvernet vil sannsynligvis fungere i omgivelser med høye temperaturer.

Overutladingsvern

Når det blir batterikapasiteten er utilstrekkelig, stopper verktøyet automatisk. I så fall fjerner du batteriet fra verktøyet og lader det.

Vern mot andre årsaker

Vernesystemet er også laget for beskyttelse mot andre ting som kan skade verktøyet og gjøre at det stanser automatisk. Gå gjennom alle de følgende forholdsreglene for å fjerne årsakene til at verktøyet har stanset midlertidig mens det er i drift.

1. Slå av verktøyet, og slå det deretter på igjen for å starte det på nytt.
2. Lad opp batteriene eller skift dem ut med oppladde batterier.
3. La både verktøyet og batteriene avkjøles.

Hvis det ikke blir noen forbedring ved at vernesystemet gjenopprettes, tar du kontakt med det lokale Makita-servicenteret.

OBS: Hvis verktøyet stopper av en årsak som ikke er beskrevet over, kan du se avsnittet om feilsøking.

Bryterfunksjon

⚠ ADVARSEL: Av hensyn til din egen sikkerhet er dette verktøyet utstyrt med en AV-sperreknapp som forhindrer utilsiktet start av verktøyet. Verktøyet må aldri brukes hvis det begynner å gå bare du trykker på startbryteren, uten at du må trykke på AV-sperreknappen i tillegg. Be nærmeste Makita-servisesenter om å reparere det.

⚠ ADVARSEL: Du må aldri deaktivere låsefunksjonen eller teipe fast AV-sperreknappen.

⚠ FORSIKTIG: Før du setter batteriet inn i maskinen, må du alltid kontrollere at startbryteren aktiverer maskinen på riktig måte og går tilbake til «AV»-stilling når den slippes.

OBS: Ikke trykk hardt på startbryteren uten å trykke på AV-sperreknappen. Bryteren kan bli ødelagt.

► **Fig. 5:** 1. AV-sperreknapp 2. Startbryter

Verktøyet er utstyrt med en AV-sperreknapp for å unngå at noen drar i startbryteren ved en feiltakelse. For å starte maskinen må du trykke inn AV-sperreknappen og dra i startbryteren. Slipp startbryteren for å stanse verktøyet.

Kontroll av kjedebremser

⚠ FORSIKTIG: Hold kjedesagen med begge hender når du slår den på. Hold det bakre håndtaket med høyre hånd, og det fremre håndtaket med venstre hånd. Sverd og kjede må ikke berøre noen gjenstander.

⚠ FORSIKTIG: Hvis sagkjedet ikke stopper umiddelbart når denne testen utføres, må ikke sagen brukes. Kontakt et autorisert servisesenter.

1. Trykk først på AV-sperreknappen og dra deretter i startbryteren. Sagkjedet starter umiddelbart.
 2. Skyv det fremre håndvernet fremover med håndbaken. Pass på at motorsagen straks stopper fullstendig.
- **Fig. 6:** 1. Vern for håndtaket foran 2. Ulåst posisjon 3. Låst stilling

Kontroll av utkoblingsbremsen

⚠ FORSIKTIG: Hvis motorsagen ikke stopper i løpet av ett sekund i denne testen, avslutt bruken av motorsagen og ta kontakt med et autorisert servisesenter.

Kjør motorsagen, og så slipper du startbryteren helt. Sagkjedet må stoppe i løpet av ett sekund.

MONTERING

⚠ FORSIKTIG: Forviss deg alltid om at maskinen er slått av og batteriet tatt ut før du utfører noe arbeid på maskinen.

⚠ FORSIKTIG: Ikke ta på sagkjedet med bare hender. Bruk alltid hansker når du håndterer sagkjedet.

Montere eller fjerne sagkjedet

⚠ FORSIKTIG: Sagkjedet og sverdet er fortsatt varme etter bruk. La de avkjøles tilstrekkelig før du utfører arbeid på verktøyet.

⚠ FORSIKTIG: Utfør prosedyren for montering eller avmontering av sagkjedet på et rent sted uten sagmugg o.l.

Montere sagkjedet

Bruk følgende trinn for å montere sagkjedet:

1. Frigi kjedebremser ved å trekke i det fremre håndtaket.
2. Trekk håndtaket opp mens du trykker på kanten.

► **Fig. 7:** 1. Spak

3. Drei spaken mot klokken for å løsne kjedehjulbeskyttelsen til den kan tas av.

► **Fig. 8:** 1. Spak 2. Kjedehjuldeksel

4. Ta av kjedehjuldekselen.
5. Kontroller retningen til sagkjedet. Rett inn retningen av sagkjedet med merket på huset til sagkjedet.

► **Fig. 9:** 1. Merke på hoveddelen til motorsagen

6. Fest den ene enden av sagkjedet på toppen av sverdet.

7. Fest den andre enden av sagkjedet rundt kjedehjulet, og fest føringsstangen til motorsaghuset.

► **Fig. 10:** 1. Kjedehjul

8. Vri innstillingshjulet til posisjon "-" ved å skyve justeringstappen i pilens retning.

► **Fig. 11:** 1. Justeringshjul 2. Justeringsnagle

9. Sett kjedehjulbeskyttelsen på motorsagen slik at justeringsstiften befinner seg i det lille hullet i sverdet.

► **Fig. 12:** 1. Kjedehjuldeksel 2. Sverd 3. Hull

10. Drei spaken en hel omdreining med klokken og deretter litt tilbake for å justere strammingen.

11. Juster kjedestrammingen. Se fremgangsmåten i avsnittet om stramming av sagkjede.

12. Drei spaken med klokken til kjedehjulbeskyttelsen er sikret, og så setter du den tilbake til opprinnelig stilling.

► **Fig. 13:** 1. Spak 2. Kjedehjuldeksel

Fjerne sagkjedet

Bruk følgende trinn for å ta av sagkjedet:

1. Frigi kjedebremser ved å trekke i det fremre håndtaket.
2. Drei innstillingshjulet til retningen "-" for å løsne sagkjedets stramming.

► **Fig. 14:** 1. Justeringshjul

3. Trekk håndtaket opp mens du trykker på kanten.

► **Fig. 15:** 1. Spak

4. Drei spaken mot klokken for å løse kjedehjulbeskyttelsen til den kan tas av.

► **Fig.16:** 1. Spak 2. Kjedehjuldeksel

5. Ta av kjedehjuldekslet og så sagkjedet og kjedehjulet fra sager.

Justere strammingen av sagkjedet

⚠FORSIKTIG: Utfør prosedyren for montering eller avmontering av sagkjedet på et rent sted uten sagmugg o.l.

⚠FORSIKTIG: Unngå at sagkjedet strammes for hardt. Allfor kraftig stramming av sagkjedet kan forårsake brudd på sagkjedet, slitasje på sverdet og brudd på innstillingshjulet.

⚠FORSIKTIG: Et kjede som er for løst kan hoppe av sverdet, og utgjør derfor en ulykke med personskaade.

Sagkjedet kan bli løsere etter mange timers bruk. Fra tid til annen må du kontrollere strammingen av sagkjedet før bruk.

1. Trekk håndtaket opp mens du trykker på kanten.

► **Fig.17:** 1. Spak

2. Drei spaken litt mot klokken for å løsne kjedehjuldekslet litt.

► **Fig.18:** 1. Spak 2. Kjedehjuldeksel

3. Løft enden på sverdet litt oppover, og juster kjedestrømningen. Drei justeringshjulet i retning "-" for å slakke, drei det i retning "+" for å stramme. Stram til sagkjedet inntil den nedre delen av sagkjedet passer inn i sporet på sverdet, som illustrert.

► **Fig.19:** 1. Justeringshjul 2. Sverd 3. Sagkjede

4. Hold lett i sverdet, og stram kjedehjuldekslet. Pass på at sagkjedet ikke løsner på nedsiden.

5. Sett håndtaket tilbake til utgangsposisjon.

Kontroller at sagkjedet ligger tett inntil den nedre siden av sverdet.

BRUK

Smøring

⚠FORSIKTIG: Ikke bruk motorsagen når tanken er tom. Etterfyll olje i god tid før tanken går tom.

⚠FORSIKTIG: Unngå hudkontakt med oljen, og unngå å få den i øynene. Olje i øynene kan forårsake irritasjon. Hvis du får olje i øynene, må du omgående skylle med vann og oppsøke lege så snart som mulig.

⚠FORSIKTIG: Bruk aldri spillolje. Spillolje inneholder kreftfremkallende substanser. De forurensende stoffene i spillolje gir enda raskere slitasje av oljepumpen, føringsstangen og kjedet. Spillolje er skadelig for miljøet.

OBS: Når motorsagen brukes for første gang, kan det ta opptil to minutter før sagkjedeoljen begynner å smøre sagemekanismen. Kjør sager uten belastning inntil smøringen begynner.

OBS: Når du fyller kjedeolje for første gang, eller når du fyller tanken etter at den har vært kjørt helt tom, må du fylle på olje til nederst på påfyllingsstussen. Ellers kan oljetilførselen bli for dårlig.

OBS: Bruk kjedeolje som er spesiallaget for motorsager fra Makita, eller tilsvarende olje som er tilgjengelig på markedet.

OBS: Du må aldri bruke olje som inneholder støv og partikler eller flyktig olje.

OBS: Bruk botanisk olje ved beskæring av trær. Mineralolje kan skade trærne.

OBS: Før du sager må du passe på at det medfølgende oljetankklokke er skrudd godt på.

Sagkjedet smøres automatisk når maskinen er i bruk. Kontroller jevnlig hvor mye olje som er igjen i tanken ved å se i oljeseglasset.

► **Fig.20:** 1. Oljetankklokke 2. Oljeseglass

Utfør følgende trinn for å etterfylle olje:

1. Rengjør grundig området rundt oljetankklokke for å hindre at det kommer smuss inn i oljetanken.

2. Legg motorsagen på siden, og ta av oljetankklokke.

3. Fyll oljetanken med olje. Riktig oljemengde er 150 ml.

4. Skru oljetankklokke ordentlig på igjen.

5. Tørk forsiktig av eventuelt oljesøl.

MERK: Hvis det er vanskelig å ta av oljetankklokke, setter du sporskrutrekkeren inn i sporet i oljetankklokke, og deretter tar du av oljetankklokke ved å dreie det mot klokken.

► **Fig.21:** 1. Spor 2. Sporskrutrekker

Hold motorsagen slik at den vender bort fra treet etter påfylling. Start den og vent til smøringen av sagkjedet er passe.

► **Fig.22**

Arbeide med motorsagen

⚠FORSIKTIG: Brukeren bør ved første gangs bruk trene på å skjære stokker på en sagbukk eller lignende.

⚠FORSIKTIG: Når du sager tømmer som er kappet på forhånd, må du bruke en sikker støtte (sagbukk eller understell). Ikke hold arbeidsstykket med foten, og la ikke andre holde arbeidsstykket.

⚠FORSIKTIG: Sikre at rundt treverk ikke roterer.

⚠FORSIKTIG: Hold alle kroppsdeler vekk fra sagkjedet når motoren går.

⚠FORSIKTIG: Hold kjedesagen fast med begge hender når motoren går.

⚠FORSIKTIG: Ikke strekk deg for langt. Pass alltid på at du holder balansen og har godt fotfeste.

OBS: Du må aldri kaste, eller slippe ned verktøyet.

OBS: Ikke tildekk ventilene på verktøyet.

Sett den nedre kanten av motorsagen i kontakt med greinen som skal sages før du skrur på sagen. Ellers kan det forårsake at sverdet krenger, noe som kan føre til skade på operatøren. Sag treverket som skal kuttes, ved hjelp av vekten til sagen når du beveger den nedover.

► Fig.23

Hvis du ikke kan sage rett igjennom tømmeret med et enkelt slag: Trykk lett på håndtaket, fortsett med sagingen og dra kjedesagen litt tilbake. Sett brodden litt lavere og avslutt snittet ved å heve håndtaket.

► Fig.24

Sage opp en stokk i kubber

1. Sett den nedre kanten av motorsagen i kontakt med treet som skal sages.

► Fig.25

2. Med sagkjedet fremdeles i gang, sager du inn i treet, idet du bruker det bakre håndtaket til å løfte sagen og det fremre til å styre den. Bruk demperen som omdreingspunkt.

3. Fortsett snittet ved å legge lett trykk på det fremre håndtakets mens du trekker sagen noe tilbake. Beveg demperen lenger ned langs stokken og hev det fremre håndtaket igjen.

OBS: Når du lager flere snitt, må du slå av sagen mellom snittene.

⚠FORSIKTIG: Hvis den øvre kanten av sverdet brukes til saging, kan sagen kastes mot deg hvis kjedet setter seg fast. Derfor må du sage med den nedre kanten, slik at sagen eventuelt kastes bort fra deg.

► Fig.26

Når du sager tre som er i spenn, må du sage på trykksiden (A) først. Så utføres det siste snittet på strekksiden (B). På denne måten unngår du at sverdet setter seg fast.

► Fig.27

Kvisting

⚠FORSIKTIG: Kvisting må kun utføres av brukere som har fått opplæring i dette. Risikoen for tilbakeslag er et faremoment.

Når du kvister, må du støtte sagen mot stammen hvis det er mulig. Ikke sag med spissen av sverdet, da dette medfører fare for tilbakeslag.

Vær spesielt oppmerksom på grener som står i spenn. Ikke sag greiner uten støtte unnenfra.

Ikke stå på den felte stammen når du kvister.

Uthuling og snitt som følger fiberretningen

⚠FORSIKTIG: Uthuling og snitt som følger fiberretningen må bare utføres av personer som har fått spesialopplæring. Muligheten for tilbakeslag utgjør en skaderisiko.

Snitt som følger fiberretningen må utføres i en så stump vinkel som mulig. Vær ekstra forsiktig når du utfører kuttet, da demperen ikke kan brukes.

► Fig.28

Trefelling

⚠FORSIKTIG: Trefelling må kun utføres av personer som har fått opplæring i dette. Arbeidet er farlig.

Følg lokale bestemmelser hvis du ønsker å felle et tre.

► Fig.29: 1. Felleområde

— Før du begynner med trefellingen, må du forvise deg om at:

- Ingen andre personer enn de som deltar i trefellingen befinner seg i nærheten
- Alle som deltar i trefellingen har uhindret tilgang til en vei ut av området innenfor en vinkel på ca. 45 ° på hver side av fellingsaksen. Ta hensyn til det ekstra faremomentet som består i at man kan snuble i elektriske ledninger
- Foten av stammen er fri for fremmedlegemer, røtter og grener
- Ingen personer eller gjenstander befinner seg nærmere enn 2 1/2 trelengde i den retningen treet vil falle.

— Ta hensyn til følgende når det gjelder hvert enkelt tre:

- Hvilken vei det lener seg
- Løse eller tørre grener
- Treets høyde
- Naturlig overheng
- Hvorvidt treet er råttent eller ikke.

— Ta hensyn til vindhastigheten og vindretningen. Ikke fell trær i sterk vind.

— Trimme røtter: Begynn med de største røttene. Foreta det vertikale kuttet først, og deretter det horisontale.

— Stå til siden for det fallende treet. La det være et åpent område bak det fallende treet i en vinkel på opptil 45 ° på hver side av treets akse (se figuren over "felleområdet"). Vær oppmerksom på fallende grener.

— Før sagingen begynner bør en fluktrute planlegges og, ved behov, ryddes. Fluktruten bør gå bak operatøren og diagonalt på motsatt side av forventet falllinje, som vist på figuren.

► Fig.30: 1. Felleretning 2. Faresone 3. Rønningsvei

Når du feller trær, må du følge disse prosedyrene:

1. Lag et styreskjær så nær bakken som mulig. Lag først et horisontalt snitt til en dybde på 1/5 -1/3 av stammemeteren. Ikke lag styreskjæret for stort. Utfør så det diagonale snittet.

► Fig.31

MERK: Styreskjæret avgjør hvilken retning treet vil falle, og styrer det. Det gjøres på den siden treet skal falle mot.

2. Lag hovedskjæret litt høyere enn bunnsnittet av styreskjæret. Hovedskjæret må sages helt vannrett. La ca. 1/10 av stammemeteren være igjen mellom hovedskjæret og styreskjæret. Trefibrene i den ukappede stammedelen fungerer som hengsel. Sett inn kiler i hovedskjæret i tide.

► Fig.32

⚠ ADVARSEL: Du må under ingen omstendigheter kutte rett gjennom fibrene. Da vil treet i så fall falle ukontrollert.

OBS: Bruk kun plast- eller aluminiumkiler til å holde hovedskjæret åpent. Det er forbudt å bruke jernkiler.

Bærbart verktøy

Før du bærer verktøyet må du alltid slå på kjedebremsen og ta ut batteriet av verktøyet. Deretter fester du sverddekslet. Dekk også batteriet med batteridekselet.

► **Fig.33:** 1. Sverddeksel 2. Batterideksel

VEDLIKEHOLD

⚠ FORSIKTIG: Forviss deg alltid om at maskinen er slått av og batteriet tatt ut før du foretar inspeksjon eller vedlikehold.

⚠ FORSIKTIG: Bruk alltid hansker når du utfører inspeksjon eller vedlikehold.

OBS: Aldri bruk gasolin, bensin, tynner alkohol eller lignende. Det kan føre til misfarging, deformering eller sprekkdannelse.

Før å opprettholde produktets SIKKERHET og PALITELIGHET, må reparasjoner, vedlikehold og justeringer utføres av autoriserte Makita servicesentre eller fabrikk-servicesentre, og det må alltid brukes reservedeler fra Makita.

Slipe sagkjedet

Slip sagkjedet når:

- Det dannes melaktig sagflis når du sager i vått tre
- Kjedet har problemer med å trenge gjennom treet, selv når du legger kraftig press på sagen
- Snittkanten er synlig skadet
- Årsaken til denne oppførselen er ujevn sliping av sagkjedet, eller at den ene siden av det er skadet (forårsaket av ujevn sliping av sagkjedet eller bare skade på den ene siden).

Slip sagkjedet hyppig, men bare litt hver gang. To eller tre strøk med en fil er vanligvis nok ved rutinemessig sliping. Når sagkjedet er blitt slipt om igjen flere ganger, bør du få det slipt hos et av våre godkjente servicesentre.

Slipekriterier:

⚠ ADVARSEL: For stor avstand mellom snittkanten og dybdemåleren øker risikoen for tilbakeslag.

► **Fig.34:** 1. Tannlengde 2. Avstand mellom snittkanten og dybdemåler 3. Minimum skjærelengde (3 mm)

- Alle tannlengder må være like. Tenner av ulik lengde hindrer at kjedet løper jevnt, og kan forårsake brudd på kjedet.

- Ikke slip kjedet når tannlengden har nådd 3 mm eller kortere. Kjedet må skiftes ut med et nytt.
- Spontykkelsen bestemmes av avstanden mellom rytterne (rund nese) og snittkanten.
- De beste sageresultatene oppnås med følgende avstand mellom snittkanten og rytterne.
 - Sagblad 90PX : 0,65 mm

► **Fig.35**

- Slipevinkelen på 30° må være lik på alle tennene. Ulikheter i vinkelen kan få kjedet til å gå brått og ujevnt, føre til raskere slitasje og kjedebrydd.
- Bruk en egnet rundfil slik at riktig slipevinkel beholdes mot tennene.
 - Sagblad 90PX : 55°

Fil og filføring

- Bruk en spesiell rundfil (valgfritt tilbehør) for sagkjedet hvis du ønsker å slipe det. Vanlige runde filer kan ikke brukes.
- Diameter for den runde filen for hvert sagkjede er som følger:
 - Sagblad 90PX : 4,5 mm
- Filen må bare berøre tannen på vei forover. Løft filen av tannen på vei tilbake.
- Slip den korteste tannen først. Den korteste tannens lengde blir standarden for alle tennene på sagkjedet.
- Før filen som vist på figuren.

► **Fig.36:** 1. Fil 2. Sagkjede

- Filen kan føres enklere ved hjelp av en filholder (ekstrautstyr). Filholderen har merker for korrekt slipevinkel på 30° (legg merkene parallelt med sagkjedet) og begrenser inntreningsdybden (til 4/5 av fildiameteren).

► **Fig.37:** 1. Filholder

- Når kjedet er slipt, må du kontrollere høyden på rytterne ved hjelp av kjedemalen (ekstrautstyr).

► **Fig.38**

- Fjern eventuelt fremstikkende materiale, uansett hvor lite det dreier seg om, med en flat spesialfil (ekstrautstyr).
- Rytterne rundes av igjen i forkant.

Rengjør sverdet

Spon og sagflis vil samle seg i sverdsporet. De kan tette sporet og forhindre oljetilførselen. Fjern alltid spon og sagflis når du sliper eller skifter ut sagkjedet.

► **Fig.39**

Rengjøring av kjedehjulbeskyttelsen

Spon og sagflis vil samle seg opp på innsiden av dekslet. Ta kjedehjuldekslet og sagkjedet av sagen, og fjern spon og sagflis.

► **Fig.40**

Rengjøre oljestrømningshullet

Små partikler eller støv kan samle seg i oljestrømningshullet under bruk. Støvet eller partiklene kan skade oljetilførselen og forårsake uøstrettelig smøring av hele sagkjedet. Når det kommer lite kjedeolje øverst på sverdet, må oljetømmingshullet rengjøres på følgende måte.

1. Ta kjedehjuldekslet og sagkjedet av saken.
2. Fjern støv eller partikler ved hjelp av en sporskrutrekker eller lignende.
► **Fig.41:** 1. Sporskrutrekker 2. Oljetømminghull
3. Sett inn batteriet i maskinen. Trykk på startbryteren for å la støv og partikler renne av oljetappetullet når du tømmer ut kjedeolje.
4. Ta ut batteriinnsetningen fra verktøyet. Sett på kjedehjuldekslet og sagkjedet igjen.

Skifte kjedehjulet

⚠FORSIKTIG: Et utslitt kjedehjul vil skade sagkjedet. Skift i så fall ut kjedehjulet.

Før du monterer et nytt sagkjede, må du sjekke tilstanden til kjedehjulet.

- **Fig.42:** 1. Kjedehjul 2. Områder som slites ut
- Monter alltid en ny låsering når du skifter kjedehjulet.
- **Fig.43:** 1. Låsering 2. Kjedehjul

OBS: Pass på at kjedehjulet er montert som vist i figuren.

Oppbevare verktøyet

1. Rengjør saken før du legger den vekk. Fjern eventuell flis og sagmugg fra maskinen etter at du har fjernet kjedehjulbeskyttelsen.
2. Etter at du har rengjort maskinen, må du la den gå uten belastning, for å smøre sagkjedet og sverdet.
3. Dekk til sverdet med sverddekselet.
4. Tøm oljetanken.

Instruksjoner for periodisk vedlikehold

Følgende vedlikeholdstiltak må utføres jevnlig for å oppnå lang levetid, unngå skade og sikre full funksjon av sikkerhetsfunksjonene. Garantien gjelder kun hvis slikt arbeid utføres regelmessig og ordentlig. Hvis det ikke utføres beskrevet vedlikehold kan det føre til ulykker! Brukeren av kjedesagen må ikke utføre vedlikehold som ikke er beskrevet i brukerveiledningen. Alt slikt arbeid må utføres i et autorisert servicesenter.

Kontroller punkt/driftstid		Før bruk	Hver dag	Hver uke	Hver 3. måned	Årlig	Før lagring
Motorsag	Kontroll.	✓	-	-	-	-	-
	Rengjøring.	-	✓	-	-	-	-
	Rådfør deg med et godkjent servicesenter.	-	-	-	-	✓	✓
Sagkjede	Kontroll.	✓	-	-	-	-	-
	Slip ved behov.	-	-	-	-	-	✓
Sverd	Kontroll.	✓	✓	-	-	-	-
	Ta av fra kjedesagen.	-	-	-	-	-	✓
Kjedebremse	Kontroller funksjonen.	✓	-	-	-	-	-
	Få den kontrollert jevnlig ved et autorisert servicesenter.	-	-	-	✓	-	-
Smøring av kjedet	Kontroller hastigheten på oljetilførselen.	✓	-	-	-	-	-
Startbryter	Kontroll.	✓	-	-	-	-	-
AV-sperreknapp	Kontroll.	✓	-	-	-	-	-
Oljetanklokk	Kontroller stramming.	✓	-	-	-	-	-
Kjedefanger	Kontroll.	-	-	✓	-	-	-
Skuer og muttere	Kontroll.	-	-	✓	-	-	-

FEILSØKING

Inspirer utstyret selv før du bestiller reparasjon. Ikke prøv å demontere verktøyet hvis du finner et problem som ikke er forklart i brukerveiledningen. I stedet bør du ta kontakt med et av Makitas autoriserte servicesentre, som alltid bruker reservedeler fra Makita til reparasjoner.

Feilstatus	Årsak	Handling
Motorsagen starter ikke.	Batteriet er ikke satt inn.	Sett inn det ladede batteriet.
	Batteriproblem (lav spenning).	Lad opp batteriet. Hvis batteriet ikke lader, må du skifte ut batteriet.
Sagkjedet går ikke.	Kjedebremsen er aktivert.	Frigi kjedebremsen.
Motoren stanser etter kort tids bruk.	Batteriets ladenivå er lavt.	Lad opp batteriet. Hvis batteriet ikke lader, må du skifte ut batteriet.
Ikke noe olje på kjedet.	Oljetanken er tom.	Fyll oljetanken.
	Oljesporet er skittent.	Rengjør sporet.
Motorsagen når ikke maksimal OPM.	Batteriet er riktig satt inn.	Sett inn batteriet som beskrevet i denne håndboken.
	Batterieffekten minsker.	Lad batteriet. Hvis ladingen ikke virker, skal batterikassetten skiftes ut.
	Drivsystemet virker ikke slik det skal.	Spør det autoriserte servicesenteret i området om reparasjon.
Kjedet stopper ikke selv når kjedebremsen er aktivert: Stans verktøyet umiddelbart!	Bremsebåndet er utslitt.	Spør det autoriserte servicesenteret i området om reparasjon.
Unormale vibrasjoner: Stans verktøyet umiddelbart!	Løst sagkjede eller sverd.	Juster sverdet og spennet til sagkjedet.
	Verktøyet virker ikke.	Spør det autoriserte servicesenteret i området om reparasjon.
Sagkjedet kan ikke settes på.	Kombinasjonen av sagkjede og kjedehjul er ikke riktig.	Bruk riktig kombinasjon av sagkjede og kjedehjul ved å se i delen som inneholder spesifikasjoner.

VALGFRITT TILBEHØR

⚠FORSIKTIG: Det anbefales at du bruker dette tilbehøret eller verktøyet sammen med den Makita-maskinen som er spesifisert i denne håndboken. Bruk av annet tilbehør eller verktøy kan forårsake personskader. Tilbehør og verktøy må kun brukes til det formålet det er beregnet på.

Ta kontakt med ditt lokale Makita-servicesenter hvis du trenger mer informasjon om dette tilbehøret.

- Sagkjede
- Sverd
- Sverddeksel
- Fil
- Verktøypose
- Makita originalbatteri og lader

⚠ADVARSEL: Hvis du kjøper et sverd med en annen lengde enn standardsverdet, må du også kjøpe et egnet deksel for det. Det må passe og helt ut dekke sverdet på kjedesagen.

MERK: Enkelte elementer i listen kan være inkludert som standardtilbehør i verktøypakken. Elementene kan variere fra land til land.

TEKNISET TIEDOT

Malli:		DUC307	DUC357	DUC407
Kokonaispituus (ilman terälevyä)		428 mm		
Nimellisjännite		DC 18 V		
Nettopaino	*1	2,9 kg		
	*2	4,2 - 4,3 kg		
Vakioterälevyn pituus		300 mm	350 mm	400 mm
Suosittelun terälevyn pituus		300 - 400 mm		
Käytettävän teräketjun tyyppi (katso lisätietoja allaolevasta taulukosta)		90PX		
Hammaspyörä	Hammasmäärä	6		
	Nousu	3/8"		
Ketjun nopeus		0 - 7,7 m/s (0 - 460 m/min)		
Ketjuöljysäiliön tilavuus		150 cm ³		

- Jatkuvasta tutkimus- ja kehitystyöstämme johtuen esitetyt tekniset tiedot saattavat muuttua ilman erillistä ilmoitusta.
- Tekniset tiedot voivat vaihdella maittain.

*1: Paino ilman teräketjua, terälevyä, terälevyn suojaa, öljyä ja akkupaketteja.

*2: Kevyin ja painavin yhdistelmä EPTA-menettelytavan 01/2014 mukaisesti. Paino voi olla erilainen lisävarusteista sekä akkupaketeista johtuen.

Teräketjun, terälevyn ja hammaspyörän yhdistelmä

Teräketjun tyyppi		90PX		
Käyttölinkkien määrä		46	52	56
Terälevy	Terälevyn pituus	300 mm	350 mm	400 mm
	Leikkauspituus	275 mm	330 mm	370 mm
	Nousu	3/8"		
	Asteikko	1,1 mm		
	Tyyppi	Terälevyn kärkihammaspyörä		
Hammaspyörä	Hammasmäärä	6		
	Nousu	3/8"		

VAROITUS: Sopiva terälevyn ja teräketjun yhdistelmä. Muussa tapauksessa voi seurauksena olla henkilövahinkoja.

Käytettävä akkupaketti ja laturi

Akkupaketti	BL1830B / BL1840B / BL1850B / BL1860B
Laturi	DC18RC / DC18RD / DC18RE / DC18SD / DC18SE / DC18SF / DC18SH

- Tiettyjä yläpuolella kuvattuja akkuja ja latureita ei ehkä ole saatavana asuinalueestasi johtuen.

VAROITUS: Käytä vain edellä eriteltyjä akkupaketteja ja latureita. Muiden akkupakettien ja laturien käyttäminen voi aiheuttaa loukkaantumisen ja/tai tulipalon.

Suosittelu johdollinen virtalähde

Kannettava tehoyksikkö	PDC01
------------------------	-------

- Edellä luetellut johdolliset virtalähteet eivät ehkä ole saatavana asuinalueellasi.
- Lue johdollisen virtalähteen käyttöohjeet ja tutustu siinä oleviin varoitusmerkintöihin ennen sen käyttämistä.

Symbolit

Laitteessa on mahdollisesti käytetty seuraavia symboleja. Opettele niiden merkitys ennen käyttöä.



Lue käyttöohje.



Käytä suojalaseja.



Käytä kuulosuojaimia.



Sallittu maksimileikkauspituus



Ketjusahaa on käytettävä aina kahdella kädellä.



Varo ketjusahan takapotkuja ja vältä koskettamasta terälevyn kärkeä.



Älä alista laitetta kosteudelle.



Ketjun liikesuunta



Sahan ketjuöljyn säätö



Ni-MH
Li-ion

Koskee vain EU-maita
Käytetyillä sähkö- ja elektroniikkalaitteilla, paristoilla ja akuilla voi olla negatiivisia ympäristö- ja terveysvaikutuksia niissä käytettyjen haitallisten osien takia.
Älä hävitä sähkö- ja elektroniikkalaitteita tai akkuja kotitalousjätteen mukana!
Vanhoja sähkö- ja elektroniikkalaitteita, paristoja ja akkuja koskevan EU-direktiivin ja sen perusteella laadittujen kansallisten lakien mukaan käytetyt sähkö- ja elektroniikkalaitteet, paristot ja akut on kierrätettävä toimittamalla ne erilliseen, ympäristönsuojelusäädösten mukaisesti toimivaan kierrätyspisteeseen.
Tämä on ilmaistu laitteessa olevalla ylivedetyn roska-astian symbolilla.



EU:n ulkona käytettävien laitteiden melupäästöjä koskevan direktiivin mukainen taattu äänitehotaso.



Australian Uuden Etelä-Walesin osavaltion melulasolainsäädännön mukainen äänitehotaso

Käyttötarkoitus

Ketjusaha on tarkoitettu vain puun sahaukseen.

Melutaso

Tyypillinen A-painotettu melutaso määräytyy standardin EN62841-4-1 mukaan:

Malli DUC307

Äänenpainetaso (L_{pA}): 86 dB (A)

Äänen voiman taso (L_{WA}): 97 dB (A)

Virhemarginaali (K): 3 dB (A)

Malli DUC357

Äänenpainetaso (L_{pA}): 86 dB (A)

Äänen voiman taso (L_{WA}): 97 dB (A)

Virhemarginaali (K): 3 dB (A)

Malli DUC407

Äänenpainetaso (L_{pA}): 86 dB (A)

Äänen voiman taso (L_{WA}): 97 dB (A)

Virhemarginaali (K): 3 dB (A)

HUOMAA: Ilmoitetut melutasoarvot on mitattu standarditestausten mukaisesti ja niiden avulla voidaan vertailla työkaluja keskenään.

HUOMAA: Ilmoitettuja melutasoarvoja voidaan käyttää myös altistumisen alustavaan arviointiin.

VAROITUS: Käytä kuulosuojaimia.

VAROITUS: Sähkötyökalun käytön aikana mitattu melutasoarvo voi poiketa ilmoitetuista arvoista laitteen käyttötavan ja erityisesti käsiteltävän työkalun mukaan.

VAROITUS: Selvitä käyttäjän suojaamiseksi tarvittavat varoimet todellisissa käyttöolosuhteissa tapahtuvan arvioidun altistumisen mukaisesti (ottaen huomioon käyttöjako kokonaisuudessaan, myös jaksot, joiden aikana laite on sammutettuna tai käy tyhjäkäynnillä).

Tärinä

Kokonaistärinä (kolmen akselin vektorien summa) määräytyy standardin EN62841-4-1 mukaan:

Malli DUC307

Työtila: puun leikkaaminen

Tärinäpäästö ($a_{h,w}$): 5,4 m/s²

Virhemarginaali (K): 1,5 m/s²

Malli DUC357

Työtila: puun leikkaaminen

Tärinäpäästö ($a_{h,w}$): 5,4 m/s²

Virhemarginaali (K): 1,5 m/s²

Malli DUC407

Työtila: puun leikkaaminen

Tärinäpäästö ($a_{h,w}$): 5,4 m/s²

Virhemarginaali (K): 1,5 m/s²

HUOMAA: Ilmoitetut kokonaistärinäarvot on mitattu standarditestausten mukaisesti ja niiden avulla voidaan vertailla työkaluja keskenään.

HUOMAA: Ilmoitettuja kokonaistärinäarvoja voidaan käyttää myös altistumisen alustavaan arviointiin.

VAROITUS: Sähkötyökalun käytön aikana mitattu todellinen tärinäpäästöarvo voi poiketa ilmoitetuista arvoista laitteen käyttötavan ja erityisesti käsiteltävän työkalun mukaan.

VAROITUS: Selvitä käyttäjän suojaamiseksi tarvittavat varoimet todellisissa käyttöolosuhteissa tapahtuvan arvioidun altistumisen mukaisesti (ottaen huomioon käyttöjako kokonaisuudessaan, myös jaksot, joiden aikana laite on sammutettuna tai käy tyhjäkäynnillä).

EY-vaatimustenmukaisuusvakuutus

Koskee vain Euroopan maita

EY-vaatimustenmukaisuusvakuutus on liitetty tähän käyttöoppaaseen.

TURVAVAROITUKSET

Sähkötyökalujen käyttöä koskevat yleiset varoitukset

VAROITUS: Tutustu kaikkiin tämän sähkötyökalun mukana toimitettuihin varoituksiin, ohjeisiin, kuviin ja teknisiin tietoihin. Seuraavassa lueteltujen ohjeiden noudattamatta jättäminen saattaa johtaa sähköiskuun, tulipaloon tai vakavaan vammautumiseen.

Säilytä varoitukset ja ohjeet tulevaa käyttöä varten.

Varoituksissa käytettävällä termillä ”sähkötyökalu” tarkoitetaan joko verkkovirtaa käyttävää (johdollista) työkalua tai akkukäyttöistä (johdotonta) työkalua.

Yleisiä ketjusahan käyttöä koskevia varoituksia

- Pidä kaikki jäsenet loitolla teräketjusta, kun ketjusahaa käytetään. Ennen kuin käynnistät ketjusahan, varmista, ettei sahan ketju osu mihinkään.** Hetkellinenkin käytönaikainen huolimattomuus voi aiheuttaa sen, että vaate tai jokin ruumiinjäsen jää kiinni teräketjuun.
- Pitele ketjusahaa aina siten, että oikea kätesi on takakahvalla ja vasen kätesi etukahvalla.** Ketjusahaa ei pidä koskaan käyttää kädet päinvastaisessa asennossa, sillä se suurentaa tapaturmavaaraa.
- Pitele moottorisahaa vain sen eristetyistä tartuntapinnoista, sillä teräketju saattaa osua piilossa oleviin johtoihin.** Jos teräketju osuu jännitteeseen johtoon, jännite voi siirtyä moottorisahan sähköä johtaviin metalliosiin ja aiheuttaa käyttäjälle sähköiskun.
- Pidä silmäsuojuksia. On suositeltavaa käyttää muitakin kuuloa, kasvoja, käsiä ja jalkoja suojaavia suojavaälineitä.** Asianmukaisesti suojatut varusteet suojaavat pirstaleilta sekä teräkosketukselta johtuvilta henkilövahingoilta.
- Älä käytä moottorisahaa puussa, tikkaila, katolla tai muilla epävakailla alustoilla.** Moottorisahan käyttäminen näin voi johtaa vakaviin henkilövahinkoihin.
- Seiso tasapainossa ja käytä moottorisahaa vain, kun olet tasaisella ja kiinteällä alustalla.** Liukkaat tai epävakaat alustat voivat aiheuttaa horjahduksen ja moottorisahan hallinnan menetyksen.
- Kun sahaat jännityksessä olevaa oksaa, ota huomioon vastaiskun mahdollisuus.** Oksasta vapautuva jännite voi saada oksan iskeytymään käyttäjää vasten ja/tai lyödä moottorisahan käyttäjän hallinnasta.
- Ole erityisen varovainen sahatessasi pensaikkoja ja taimia.** Ohuet varret voivat tarttua teräketjuun ja iskeytyä käyttäjään tai vetää käyttäjän tasapainosta.
- Kun kannat moottorisahaa, sammuta se ja pitele kiinni etukahvasta siten, että saha suuntautuu itsestäsi pois päin. Aseta terälevyn suojuos paikalleen moottorisahan kuljetuksen ja varastoinnin ajaksi.** Moottorisahan asianmukainen käsittely vähentää todennäköisyyttä, että liikkuva teräketju osuu käyttäjään.

- Noudata voitelusta, teräketjun kiristämisestä sekä teräketjun ja -levyn vaihtamisesta annettuja ohjeita.** Väärin kiristetty tai voideltu ketju saattaa katketa tai lisätä takapotkun mahdollisuutta.
- Sahaa vain puuta. Älä käytä moottorisahaa työhön, johon sitä ei ole tarkoitettu. Älä käytä moottorisahaa esimerkiksi metallin, muovin, tiilien tai muiden kuin puisten rakennusmateriaalien sahaamiseen.** Moottorisahan käyttö tarkoituksiin, joihin sitä ei ole suunniteltu, voi aiheuttaa vaaratilanteen.
- Älä yritä kaataa puuta, ellet ole tietoinen siihen liittyvistä riskeistä ja niiden välttämisestä.** Kaatuvan puun alle jääminen voi aiheuttaa vakavia vammoja käyttäjälle tai sivullisille.
- Takapotkun syyt ja ennaltaehkäisevät toimet:** Takapotku voi tapahtua, kun terälevyn etuosa tai kärki koskettaa jotain esinettä tai kun puun osat siirtyvät yhteen ja puristavat teräketjun väliinsä. Kärkikosketus voi joissakin tapauksissa aiheuttaa äkillisen vastakkaisreaktion ja työntää terälevyn nopeasti ylös ja käyttäjää kohti. Kun teräketju jää puristuksiin terälevyn yläosaa vasten, terälevy voi sinkoutua nopeasti käyttäjää kohti. Kumpikin näistä reaktioista voi merkitä sahan hallinnan menettämistä ja aiheuttaa vakavia vammoja. Älä luota pelkästään sahaan rakennettuihin turvalaitteisiin. Ketjusahan käyttäjänä sinun pitää suorittaa useita toimia, jottei sahaus aiheuta onnettomuuksia tai vammoja. Takapotku johtuu moottorisahan virheellisestä käytöstä ja/tai huonoista käyttöolosuhteista. Takapotku voidaan välttää noudattamalla seuraavia varotoimia:
 - Pitele sahasta kunnolla kiinni. Purista peukalot ja sormet sahan kahvojen ympärille ja seiso sellaisessa asennossa, että voit vastustaa takapotkun voimaa.** Takapotkut ovat käyttäjän hallittavissa, kunhan niihin valmistaudutaan asianmukaisesti. Älä irrota otetta sahasta.

► Kuva1

- Älä kurota tai sahaa olkapäitäsä korkeammalla tasolla.** Tämä vähentää todennäköisyyttä, että terälevyn kärki osuu johonkin tahattomasti sekä parantaa sahan hallittavuutta odottamattomissa tilanteissa.
 - Käytä vain valmistajan määrittelemiä vaihtoterälevyjä ja -teräketjuja.** Vääränlaisten terälevyjen tai teräketjujen käyttäminen voi aiheuttaa ketjun katkeamisen ja/tai takapotkun.
 - Teroita ja huolla teräketju valmistajan ohjeiden mukaan.** Syyvydensäätöhampaiden madaltaminen voi lisätä takapotkujen mahdollisuutta.
- Noudata kaikkia ohjeita, kun poistat kiinni jäänyttä materiaalia moottorisahasta tai kun varastoit sen tai huollat sitä. Varmista, että katkaisin on pois päältä ja akkupaketusta on irrotettu.** Moottorisahan odottamaton käynnistyminen kiinni jääneen leikkumateriaalin poistamisen tai huollon yhteydessä voi saada aikaa vakavia henkilövahinkoja.

Lisäturvallisuusohjeet

Henkilönsuojaimet

1. Vaatteiden täytyy olla istuvia, mutta ne eivät saa haitata liikkumista.
2. Käytä työssä seuraavia suojavarusteita:
 - hyväksytyä suojakypärää, jos putoavat oksat tai vastaavat voivat aiheuttaa vaaraa
 - kasvosuojusta tai suojalaseja
 - sopivia kuulosuojaimia tai korvatulppia. Oktaavikaista-analyysi saatavana.
 - paksuja nahkaisia suojakäsineitä
 - tukevasta kankaasta valmistettuja pitkiä housuja
 - viistosuojatusta kankaasta valmistettuja suojahaalareita
 - turvakengkiä tai saappaita, joissa on karhennettu antura, teräksinen kärkivahvike ja tukeva vuori
 - hengityssuojainta, jos sahaaminen synnyttää pölyä (esimerkiksi kuivaa puuta sahattaessa).

Käyttö

1. Ennen työn aloittamista tarkista, että ketjusaha on toimintakunnossa ja turvamääräysten mukainen. Varmista erikseen, että:
 - ketjujarru toimii moitteettomasti;
 - pysäytysjarru toimii moitteettomasti;
 - terälevy ja hammaspyörän kotelo ovat paikoillaan;
 - ketju on teroitettu ja kiiristetty ohjeiden mukaan.
2. Älä käynnistä ketjusahaa, kun ketjun suojus on asennettu sahaan. Jos ketjusaha käynnistetään, kun teräketjun suojus on paikallaan, suojus voi lennähätä eteenpäin ja aiheuttaa henkilövahinkoja tai aineellisia vahinkoja.

Sähköturvallisuus ja akku

1. Vältä vaarallisia ympäristöjä. Älä käytä työkalua kosteissa tai märissä paikoissa äläkä altista sitä sateelle. Työkalun sisään päässyt vesi lisää sähköiskun vaaraa.
2. Älä hävitä akkuja polttamalla. Akkukenko voi räjähtää. Tarkista, onko paikallisissa määräyksissä erityisiä laitteita koskevia hävitysohjeita.
3. Älä avaa tai riko akkuja. Akusta mahdollisesti vuotava elektrolyytti on syövyttävää ja saattaa vaurioittaa ihoa tai silmiä. Se saattaa olla myrkyllistä nieltynä.
4. Älä lataa akkua sateessa tai kosteissa olosuhteissa.
5. Älä lataa akkua ulkona.
6. Älä käsittele laturia tai sen liitinosaa ja latausliittimiä märin käsin.
7. Älä vaihda akkua sateessa.
8. Älä vaihda akkua märin käsin.
9. Älä jätä akkua sateeseen äläkä lataa, käytä tai säilytä akkua kosteassa tai märässä paikassa.
10. Älä kastele akun liittintä nesteellä, kuten vedellä, tai upota sitä nesteeseen. Jos liittintä kastuu tai nestettä pääsee akun sisään, akku voi joutua oikosulkuun, mikä aiheuttaa ylikuumentumisen, tulipalon tai räjähdyksen vaaran.
11. Kun olet irrottanut akun työkalusta tai laturista, muista kiinnittää akkuun sen suojus ja säilyttää akku kuivassa paikassa.

12. Jos akkupakkaus on kastunut, valuta sisään päässyt vesi ulos ja pyyhi akkupakkaus kuivalla liinalla. Kuivaa akkupakkaus huolellisesti kuivassa paikassa ennen käyttöä.

SÄILYTÄ NÄMÄ OHJEET.

VAROITUS: ÄLÄ anna työkalun helppokäyttöisyyden (toistuvan käytön aikaansaama) johtaa sinua väärään turvallisuuden tunteeseen niin, että laiminlyöt työkalun turvaohjeiden noudattamisen. VÄÄRINKÄYTTÖ tai tässä käyttöohjeessa ilmoitettujen turvamääräysten laiminlyönti voi aiheuttaa vakavia henkilövahinkoja.

Akkupakettia koskevia tärkeitä turvaohjeita

1. Ennen akun käyttöönottoa tutustu kaikkiin laturissa (1), akussa (2) ja akkukäyttöisessä tuotteessa (3) oleviin varoitusteksteihin.
2. Älä pura tai peukaloi imuria akkupakettia. Se voi johtaa tulipaloon, ylikuumentumiseen tai räjähdykseen.
3. Jos akun toiminta-aika lyhenee merkittävästi, lopeta akun käyttö. Seurauksena voi olla ylikuumentuminen, palovammoja tai jopa räjähdys.
4. Jos akkuneustettä pääsee silmiin, huuhtele puhtaalla vedellä ja hakeudu välittömästi lääkärin hoitoon. Akkuneuste voi aiheuttaa näön menetyksen.
5. Älä oikosulje akkua.
 - (1) Älä koske akun napoihin millään sähköä johtavalla materiaalilla.
 - (2) Vältä akun oikosulkemista äläkä säilytä akkua yhdessä muiden metalliesineiden, kuten naulojen, kolikoiden ja niin edelleen kanssa.
 - (3) Älä aseta akkua alttiiksi vedelle tai sateelle.Oikosulku voi aiheuttaa virtapiikin, ylikuumentumista, palovammoja tai laitteen rikkoantumisen.
6. Älä säilytä ja käytä työkalua ja akkupakettia paikassa, jossa lämpötila voi nousta 50 °C:een (122 °F) tai korkeammaksi.
7. Älä hävitä akkua polttamalla, vaikka se olisi pahoin vaurioitunut tai täysin loppuun kulunut. Avotuli voi aiheuttaa akun räjähtämisen.
8. Älä naulaa, leikkaa, purista, heitä tai pudota akkupakettia tai iske sitä kovia esineitä vasten. Tällaiset toimet voivat johtaa tulipaloon, ylikuumentumiseen tai räjähdykseen.
9. Älä käytä viallista akkua.
10. Sisältyviä litium-ioni-akkuja koskevat vaarallisten aineiden lainsäädännön vaatimukset. Esimerkiksi kolmansien osapuolten huolintaliikkeiden tulee kaupallisissa kuljetuksissa noudattaa pakkaamista ja merkintöjä koskevia erityisvaatimuksia. Lähetettävän tuotteen valmistelu edellyttää vaarallisten aineiden asiantuntijan neuvontaa. Huomioi myös mahdollisesti yksityiskohtaisemmat kansalliset määräykset. Akun avoimet liittimet tulee suojata teipillä tai suojuksella ja pakkaaminen tulee tehdä niin, ettei akku voi liikkua pakkauksessa.
11. Kun akkupaketti on hävitettävä, poista se laitteesta ja hävitä se turvallisesti. Hävitä akku paikallisten määräysten mukaisesti.

12. Käytä akkuja vain Makitan ilmoittamien tuotteiden kanssa. Akkujen asentaminen yhteensopimattomiin tuotteisiin voi aiheuttaa tulipalon, liiallisen ylikuumentumisen, räjähdyksen tai akkuneuvuotoja.
13. Jos laitetta ei käytetä pitkään aikaan, akku on poistettava laitteesta.
14. Akkupaketin lämpötila voi käytön aikana ja sen jälkeen nousta niin kuumaksi, että se voi aiheuttaa palovammoja tai lieviä palovammoja. Käsittele kuumia akkupaketteja huolellisesti.
15. Älä kosketa työkalun liitintä välittömästi käytön jälkeen, sillä se voi olla riittävän kuuma aiheuttamaan palovammoja.
16. Älä päästä lastuja, pölyä tai maata akkupaketin liittimiin, aukkoihin ja uriin. Se voi johtaa työkalun tai akkupaketin lämpenemiseen, syttymiseen, purkautumiseen tai toimintahäiriöön, mikä voi aiheuttaa palovammoja tai vammoja.
17. Ellei työkalu tue käyttöä korkeajännitelinjojen lähellä, älä käytä akkupakettia korkeajännitelinjojen lähellä. Se voi johtaa työkalun tai akkupaketin toimintahäiriöön tai rikkoutumiseen.
18. Pidä akku poissa lasten ulottuvilta.

SÄILYTÄ NÄMÄ OHJEET.

⚠HUOMIO: Käytä vain alkuperäisiä Makita-akkuja. Muiden kuin aitojen Makita-akkujen, tai mahdollisesti muutettujen akkujen käyttö voi johtaa akun murtumiseen ja aiheuttaa tulipaloja, henkilö- ja omaisuusvahinkoja. Se mitätöi myös Makita-työkalun ja -laturin Makita-takuun.

Vihjeitä akun käyttöön pidentämiseksi

1. Lataa akku ennen kuin se purkautuu täysin. Lopeta aina työkalun käyttö ja lataa akku, jos huomaat työkalun tehon vähenevän.
2. Älä koskaan lataa uudestaan täysin ladattua akkua. Ylilataaminen lyhentää akun käyttöikää.
3. Lataa akku huoneen lämpötilassa välillä 10 °C - 40 °C. Anna kuuman akun jäähtyä ennen lataamista.
4. Irrota akkupaketti työkalusta tai laturista, kun sitä ei käytetä.
5. Lataa akkupaketti, jos et käytä sitä pitkään aikaan (yli kuusi kuukautta).

OSIEN KUVAUS

► Kuva2

1	Etukäsisuoja	2	Vipu	3	Terälevy
4	Teräketju	5	Terälevyn suojus	6	Lukituspainike
7	Takakahva	8	Liipaisinkytkin	9	Akkupaketti
10	Etukahva	11	Öljysäiliön korkki	12	Kaarnapiikki
13	Ketjusieppo	14	Säätölevy	-	-

TOIMINTOJEN KUVAUS

⚠HUOMIO: Varmista aina ennen säätöjä ja tarkastuksia, että työkalu on sammutettu ja akkupaketti irrotettu.

Akun asentaminen tai irrottaminen

⚠HUOMIO: Sammuta työkalu aina ennen akun kiinnittämistä tai irrottamista.

⚠HUOMIO: Pidä työkalusta ja akusta tiukasti kiinni, kun irrotat tai kiinnität akkua. Jos akkupaketti tai työkalu putoaa, ne voivat vaurioitua tai aiheuttaa tapaturman.

► **Kuva3:** 1. Punainen ilmaisin 2. Painike 3. Akkupaketti

Irrota akku painamalla akun etupuolella olevaa painiketta ja vetämällä akku ulos työkalusta.

Akkupaketti asetetaan paikalleen sovittamalla akkupaketin kieleke rungon uraan ja työntämällä se sitten paikalleen. Työnnä se pohjaan asti niin, että kuulet sen napsahavan paikoilleen. Jos näet kuvan mukaisen punaisen ilmaisimen, lukitus ei ole täysin pitävä.

⚠HUOMIO: Työnnä akkupaketti aina pohjaan asti, niin että punainen ilmaisin ei enää näy. Jos akkupaketti ei ole kunnolla paikallaan, se voi pudota työkalusta ja aiheuttaa vammoja joko sinulle tai sivullisille.










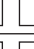



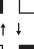

⚠HUOMIO: Älä käytä voimaa akun asennuksessa. Jos akku ei liu'u paikalleen helposti, se on väärässä asennossa.

Akun jäljellä olevan varaustason ilmaisin

Vain akkupaketeille ilmaisimella

► **Kuva4:** 1. Merkkivalot 2. Tarkistuspainike

Painamalla tarkistuspainiketta saat näkyviin akun jäljellä olevan varauksen. Merkkivalot palavat muutaman sekunnin ajan.

Merkkivalot			Akussa jäljellä olevan varaus
 Palaava	 Pois päältä	 Viilkkuu	
			75% - 100%
			50% - 75%
			25% - 50%
			0% - 25%
			Lataa akku.
			Akussa on saattanut olla toimintahäiriö.

HUOMAA: Ilmoitettu varaustaso voi erota hieman todellisesta varaustasosta sen mukaan, millaisissa oloissa ja missä lämpötilassa laitetta käytetään.

HUOMAA: Ensimmäinen (vasemmanpuoleisin) merkkivalo vilkkuu, kun akun suojausjärjestelmä on toiminnassa.

Työkalun/akun suojausjärjestelmä

Työkalu on varustettu työkalu/akun suojausjärjestelmällä. Tämä järjestelmä pidentää työkalun ja akun käyttöikää katkaisemalla automaattisesti moottorin virran. Työkalu pysähtyy automaattisesti kesken käytön, jos työkalussa tai akussa ilmenee jokin seuraavista tilanteista:

Ylikuormitussuoja

Kun työkalua tai akkua käytetään tavalla, joka saa sen kuluttamaan epätavallisen suuren määrän virtaa, työkalu pysähtyy automaattisesti. Katkaise tässä tilanteessa työkalusta virta ja lopeta työkalun ylikuormitustilan aiheuttanut käyttö. Käynnistä sitten työkalu uudelleen kytkemällä siihen virta.

Ylikuumenemissuoja

Kun työkalu tai akku ylikuumentaa, työkalu pysähtyy automaattisesti. Anna tällöin työkalun ja akun jäähtyä, ennen kuin kytket työkaluun uudelleen virran.

HUOMAA: Jos lämpötila on korkea, ylikuumenemissuoja kytkeytyy päälle ja työkalu pysähtyy automaattisesti.

Ylipurkautumissuoja

Kun akun varaus on riittämätön, työkalu pysähtyy automaattisesti. Irrota silloin akku työkalusta ja lataa se.

Suojaus muilta haitallisilta tapahtumilta

Suojausjärjestelmä on suunniteltu suojaamaan työkalu myös muilta tapahtumilta, jotka voisivat vahingoittaa työkalua, ja pysäyttämään työkalu automaattisesti tällaisissa tapauksissa. Kun työkalu tai sen toiminta on pysähtynyt tilapäisesti tai se on pysähtynyt, poista pysäytyksen syyt seuraavien vaiheiden mukaisesti.

1. Käynnistä työkalu sammuttamalla se ja kytkemällä se sitten uudelleen päälle.
2. Lataa akut tai vaihda ne ladattuihin akkuihin.
3. Anna koneen ja akkujen jäähtyä.

Jos suojausjärjestelmän nollaaminen ei korjaa tilannetta, ota yhteys paikalliseen Makita-huoltoon.

HUOMAUTUS: Jos työkalu pysähtyy muusta kuin edellä kuvastusta syystä, katso vianmääritysohjeita.

Kytkimen käyttäminen

VAROITUS: Käyttäjän turvallisuuden varmistamiseksi tämä laite on varustettu lukituspainikkeella, joka estää laitteen vahingossa tapahtuvan käynnistämisen. Älä koskaan käytä laitetta, jos se käynnistyy pelkästään liipaisinkytkintä painamalla ilman, että painaisit lukituspainiketta. Pyydä valtuutettua Makita-huoltoilijää korjaamaan laite.

VAROITUS: Älä koskaan poista lukitustoimintoa käytöstä tai teippaa lukituspainiketta kiinni.

HUOMIO: Tarkista aina ennen akkupaketin asettamista työkaluun, että liipaisinkytkin kytkeytyy oikein ja palaa "OFF"-asentoon, kun se vapautetaan.

HUOMAUTUS: Älä paina liipaisinkytkintä voimakkaasti painamatta samalla lukituspainiketta. Kytkin voi vaurioitua.

► **Kuva5:** 1. Lukituspainike 2. Liipaisinkytkin

Työkalussa on lukituksen vapautuspainike, joka estää liipaisinkytkimen vetämisen vahingossa. Käynnistä työkalu painamalla vapautuspainiketta ja vetämällä liipaisinkytkimestä. Pysäytä vapauttamalla liipaisinkytkin.

Ketjujarrun toiminnan tarkistus

HUOMIO: Pidä sahaa molemmin käsin, kun käynnistät sen. Tartu takakahvaan oikealla kädellä ja etukahvaan vasemmalla. Terälevy ja ketju eivät saa koskettaa mihinkään.

HUOMIO: Jos saha ei testatessa heti pysähdy, sitä ei saa missään tapauksessa käyttää. Ota yhteys valtuutettuun huoltoilijeeseen.

1. Paina lukituksen vapautuspainiketta ja vedä sitten liipaisinkytkintä. Teräketju alkaa heti liikkua.
 2. Paina etukäsinsuoja eteenpäin kämmenselällä. Varmista, että saha pysähtyy heti.
- **Kuva6:** 1. Etukäsinsuoja 2. Avattu asento 3. Lukittu asento

Pysäytysjarrun toiminnon tarkastaminen

⚠️HUOMIO: Jos saha ei testatessa heti pysähdy sekunnin kuluessa, Lopeta sahan käyttö ja ota yhteys valtuutettuun huoltoilikkeeseen.

Käytä sahaa ja vapauta sitten liipaisinkytkin kokonaan. Sahan pitäisi pysähtyä yhdessä sekunnissa.

KOKOONPANO

⚠️HUOMIO: Varmista aina ennen mitään työkalulle tehtäviä toimenpiteitä, että se on sammutettu ja akku irrotettu.

⚠️HUOMIO: Älä koske teräketjuun paljain käsin. Käytä aina suojakäsineitä, kun käsittelet terää.

Ketjun kiinnitys ja irrotus

⚠️HUOMIO: Teräketju ja terälevy ovat käytön jälkeen kuumia. Anna niiden jäähtyä riittävästi, ennen kuin teet työkalulle mitään huoltotoimenpiteitä.

⚠️HUOMIO: Kiinnitä ja irrota ketju puhtaassa tilassa, jossa ei ole sahanpurua tms.

Teräketjun asentaminen

Kiinnitä ketju toimimalla seuraavasti:

1. Vapauta ketjujarru vetämällä etukäsisuojaa.
2. vedä vipua ylös painaessasi sen reunaa.
▶ **Kuva7:** 1. Vipu
3. Käännä vipua vastapäivään, kunnes hammaspyörän kotelo irtoaa.
▶ **Kuva8:** 1. Vipu 2. Hammaspyörän kotelo
4. Irrota hammaspyörän kotelo.
5. Tarkista teräketjun suunta. Täsmäytä teräketjun suunta ketjusahan rungossa olevaan merkkiin.
▶ **Kuva9:** 1. Merkki ketjusahan rungossa
6. Aseta teräketju toinen pää terälevylle.
7. Aseta teräketjun toinen pää hammaspyörän ympärille ja kiinnitä sitten terälevy ketjusahan runkoon.
▶ **Kuva10:** 1. Hammaspyörä
8. Siirrä säätötappia nuolen suuntaan kiertämällä säätölevyä miinusmerkin suuntaan.
▶ **Kuva11:** 1. Säätölevy 2. Säätötappi
9. Aseta hammaspyörän kotelo sahaan siten, että säätötappi osuu terälevyssä olevaan pieneen aukkoon.
▶ **Kuva12:** 1. Hammaspyörän kotelo 2. Terälevy 3. Reikä
10. Käännä vipu täysin myötäpäivään ja käännä sitä hieman takaisin, ettei ketju tule liian löysälle kireyttä säädettäessä.

11. Säädä ketjun kireyttä. Lisätietoja menettelystä on ketjun kireyden säätämistä koskevassa osiossa.

12. Käännä vipua myötäpäivään, kunnes hammaspyörän kotelo on kiinnitetty ja palauta se alkuperäiseen asentoon.

▶ **Kuva13:** 1. Vipu 2. Hammaspyörän kotelo

Teräketjun irrottaminen

Irrota ketju toimimalla seuraavasti:

1. Vapauta ketjujarru vetämällä etukäsisuojaa.
2. Löysää ketjun kireyttä kääntämällä säätölevyä miinussuuntaan.
▶ **Kuva14:** 1. Säätölevy
3. vedä vipua ylös painaessasi sen reunaa.
▶ **Kuva15:** 1. Vipu
4. Käännä vipua vastapäivään, kunnes hammaspyörän kotelo irtoaa.
▶ **Kuva16:** 1. Vipu 2. Hammaspyörän kotelo
5. Irrota hammaspyörän kotelo, sitten teräketju ja terälevy ketjusahan rungosta.

Ketjunkireyden säätö

⚠️HUOMIO: Kiinnitä ja irrota ketju puhtaassa tilassa, jossa ei ole sahanpurua tms.

⚠️HUOMIO: Älä kiristä ketjua liikaa. Jos ketju on liian kireällä, se voi katketa, kuluttaa terälevyä ja rikkoa säätölevyn.

⚠️HUOMIO: Jos ketju on liian löysällä, se voi hypätä pois terälevystä ja aiheuttaa siten vaaratilanteen.

Ketju voi löystyä usean tunnin käytön jälkeen. Tarkista ketjun kireys ennen käyttöä.

1. vedä vipua ylös painaessasi sen reunaa.
▶ **Kuva17:** 1. Vipu
 2. Käännä vipua vähän vastapäivään, jotta hammaspyörän kotelo löystyy hieman.
▶ **Kuva18:** 1. Vipu 2. Hammaspyörän kotelo
 3. Nosta terälevyn kärkeä kevyesti ja säädä ketjun kireys. Käännä säätölevyä miinussuuntaan löysäämiseksi ja plussasuuntaan kiristääkseen. Kiristä teräketjua, kunnes teräketjun alaosa osuu terälevyn uraan kuvaan mukaan.
▶ **Kuva19:** 1. Säätölevy 2. Terälevy 3. Teräketju
 4. Kannattele terälevyä kevyesti ja kiristä ketjupyörän kotelo. Varmista, ettei teräketju löysty terälevyn alapuolella.
 5. Käännä vipu alkuperäiseen asentoon.
- Varmista, että teräketju on terälevyn alareunaa vasten.

TYÖSKENTELY

Voitelu

▲HUOMIO: Älä käytä ketjusahaa, kun säiliö on tyhjä. Lisää öljyä hyvissä ajoin ennen kuin säiliö tyhjenee.

▲HUOMIO: Varo, ettei öljyä pääse iholle tai silmiin. Öljyn pääsy silmiin voi aiheuttaa ärsytystä. Jos öljyä on päässyt silmään, huuhtele silmää heti puhtaalla vedellä ja ota sitten yhteyttä lääkäriin.

▲HUOMIO: Älä koskaan käytä jäteöljyä. Jäteöljy sisältää syöpää aiheuttavia aineita. Jäteöljyn epäpuhtaudet kuluttavat nopeasti öljypumppua, terälevyä ja ketjua. Jäteöljy on haitallista ympäristölle.

HUOMAUTUS: Kun moottorisahaa käytetään ensimmäistä kertaa, voi kestää jopa kaksi minuuttia ennen kuin ketjuöljy alkaa voidella sahan mekaanisia osia kunnolla. Käytä sahaa ilman kuormaa, kunnes voitelu alkaa toimia.

HUOMAUTUS: Kun täytät sahan öljysäiliötä ensimmäistä kertaa tai kun lisäät öljyä täysin tyhjeneeseen säiliöön, lisää öljyä täyttökaulan alareunaan asti. Muutoin öljyn syötössä voi esiintyä häiriöitä.

HUOMAUTUS: Käytä Makita-teräketjuöljyjä tai muita vastaavia myynnissä olevia teräketjuöljyjä.

HUOMAUTUS: Älä käytä öljyä, jossa on likaa tai roskia tai haihtuvia öljyjä.

HUOMAUTUS: Käytä puiden oksia karsiessasi kasviöljyjä. Mineräaliöljyt voivat vahingoittaa puuta.

HUOMAUTUS: Varmista, että öljysäiliön korkki on paikallaan, ennen kuin aloitat sahaamisen.

Teräketju voidellaan automaattisesti, kun sahaa käytetään. Tarkista öljysäiliössä jäljellä olevan öljyn määrä säännöllisesti öljymäärän tarkistusikkunasta.

► **Kuva20:** 1. Öljysäiliön korkki 2. Öljymäärän tarkistusikkuna

Lisää öljyä toimimalla seuraavasti:

1. Puhdista öljysäiliön korkin ympäristö huolellisesti, jotta öljysäiliöön ei pääse likaa.
2. Aseta moottorisaha kyljelleen ja irrota öljysäiliön korkki.
3. Täytä öljysäiliö öljyllä. Oikea määrä öljyä on 150 ml.
4. Kierrä öljysäiliön korkki tiukasti kiinni.
5. Pyyhi mahdolliset ketjuöljyroiskeet pois huolellisesti.

HUOMAA: Jos öljysäiliön korkki ei irtoa helposti, aseta ristipääruuvitaltta öljysäiliön korkissa olevaan hahloon ja irrota sitten öljysäiliön korkki kääntämällä sitä vastapäivään.

► **Kuva21:** 1. Hahlo 2. Ristipääruuvitaltta

Pidä saha erossa puusta täytön jälkeen. Käynnistä saha ja odota, että voitelu alkaa toimia kunnolla.

► **Kuva22**

Ketjusahan käyttö

▲HUOMIO: Henkilön, joka ei ole aikaisemmin käyttänyt moottorisahaa, on hyödyllistä harjoitella sahan käyttöä ensin sahaamalla puuta sahapukissa tai muussa telineessä.

▲HUOMIO: Sahatavaraa sahattaessa on käytettävä asianmukaista tukea (sahapukkia tai muuta telinettä). Älä pidä sahattavaa kappaletta paikallaan jalallasi äläkä anna kenenkään muun pitää sitä paikallaan.

▲HUOMIO: Estä pyöreiden kappaleiden pyöriminen.

▲HUOMIO: Pidä kaikki rungon osat loitolla ketjusta moottorin ollessa käynnissä.

▲HUOMIO: Pidä sahaa hyvin molemmin käsin kun se on käynnissä.

▲HUOMIO: Älä kurkota. Seiso tukevassa asennossa ja säilytä tasapainosi.

HUOMAUTUS: Älä koskaan heitä tai pudota työkalua.

HUOMAUTUS: Älä peitä työkalun ilmanvaihtoaukkoja.

Tuo ketjusahan rungon alareuna oksan kanssa yhteyteen sen katkaisemiseksi ennen päälle kytkemistä. Muutoin terälevy saattaa heilua, mikä voi aiheuttaa vamman käyttäjälle. Sahaa puu liikuttamalla sahaa alaspäin sen oman painon voimasta.

► **Kuva23**

Jos et pysty leikkaamaan puuta täysin läpi yhdellä vetäisyllä: Sovella kevyttä painetta kahvaan ja jatka sahaamista ja vedä sahaa taaksepäin hieman; sovelta sitten kaarnapiikkiä hieman alempana ja tee loppuun leikkaus nostamalla kahvaa.

► **Kuva24**

Katkaisu

1. Tuo ketjusahan rungon alareuna oksan kanssa yhteyteen sen katkaisemiseksi.

► **Kuva25**

2. Kun ketju pyörii, ala sahata puuta niin, että nostat sahaa takakahvasta ja ohjaat etukahvasta. Käytä kaarnapiikkiä tukipisteenä.

3. Jatka sahaamista lisäämällä hieman painetta etukahvaan ja kääntämällä sahaa hieman taakse. Siirrä kaarnapiikkiä hieman alemmas puun pinnalla ja nosta etukahvaa uudelleen.

HUOMAUTUS: Jos katkaiset puun useammasta kohtaa, sammuta saha katkaisukohtien välillä.

▲HUOMIO: Jos terälevyn yläreunaa käytetään katkaisuun, saha voi ponnahtaa käyttäjää kohti, jos se juuttuu. Käytä siksi katkaisuun terälevyn alareunaa, jolloin saha vetää aina käyttäjää poispäin.

► **Kuva26**

Sahaa jännityksen alaista puuta ensin siltä puolelta, johon puristus kohdistuu (A). Tee sitten lopullinen katkaisu vetojännityksen alaisella puolella (B). Näin terälevy ei juutu kiinni.

► **Kuva27**

Karsinta

⚠️HUOMIO: Oksien karsintaa saa tehdä vain käyttökoulutuksen saanut henkilö. Vaarana on sahan takapotku.

Oksia karsittaessa saha on mahdollisuuksien mukaan tuettava runkoon. Älä käytä terälevyn kärkeä, ettei saha pääse potkaisemaan.

Kiinnitä erityistä huomiota jännityksen alaisiin oksiiin. Älä katkaise ilman tukea olevia oksia alapuolelta. Älä seiso kaadetun rungon päälle oksia karsiessasi.

Koloaminen ja syyn suuntainen sahaus

⚠️HUOMIO: Koloamista ja syyn suuntaista sahausta saavat tehdä vain asianmukaisen koulutuksen saaneet henkilöt. Takapotkun mahdollisuus aiheuttaa loukkaantumisaarua.

Tee syyn suuntainen sahaus mahdollisimman loivassa kulmassa. Ole erityisen varovainen sahausajan aikana, koska kaarnapiikkiä ei voida käyttää.

► Kuva28

Kaattaminen

⚠️HUOMIO: Puita saa kaataa vain asianmukaisen käyttökoulutuksen saanut henkilö. Työ on vaarallista.

Jos haluat kaataa puun, noudata paikallisia määräyksiä.

► Kuva29: 1. Kaatoalue

- Ennen työn aloittamista, varmista, että:
 - lähistöllä ei ole muita kuin kaatoon osallistuvia henkilöitä;
 - jokaisella työhön osallistuvalla on esteetön poistumisreitti noin 45 asteen sektorissa kaadettavan puun pituusakselin kummallakin puolella. Ota huomioon sähköjohtoihin kompastumisen vaara;
 - rungon tyvessä ei ole vieraita esineitä, juuria tai oksia;
 - ketään ihmisiä tai mitään esineitä ei ole 2 1/2 rungonmitan päässä puun kaatumissuunnassa.
- Ota jokaisen puun kohdalla huomioon seuraavat seikat:
 - kallistumissuunta;
 - irtonaiset tai kuivat oksat;
 - puun korkeus;
 - luonnonmukainen ylitys;
 - onko puu laho.
- Ota huomioon tuulen voimakkuus ja suunta. Älä kaada puuta, jos tuuli on puuskaista.
- Juurten katkominen: Aloita isoimmista juurista. Tee ensin pysty- ja sitten vaakasahaus.
- Asetu kaatuvan puun sivulle. Huolehdi siitä, että kaatuvan puun taakse jää sen pituusakselin kummallekin puolelle 45 asteen esteetön sektori (ks. kaatoaluetta kuvaava piirros). Varo oksia.

- Suunnittele itsellesi esteetön pakoreitti, ennen kuin aloitat sahaamisen. Pakoreitin tulee suuntautua vinosti taaksepäin ja sen täytyy ulottua kaatoalueen ulkopuolelle kuvan osoittamalla tavalla.

► Kuva30: 1. Kaatamissuunta 2. Vaara-alue 3. Pakoreitti

Noudata alla olevia ohjeita puita kaadettaessa:

1. Saha kaatolovi mahdollisimman lähelle maan pintaa. Tee ensin vaakasahaus, jonka syvyys vastaa 1/5 - 1/3 rungon halkaisijasta. Älä tee lovesta liian suurta. Tee sitten vino yläsahaus.

► Kuva31

⚠️HUOMAA: Lovi määrää ja ohjaa, mihin suuntaan puu kaatuu. Lovi tehdään sille puolelle, johon puun on määrä kaatua.

2. Saha rungon vastakkaiselle puolelle tehtävä sahaus vähän kaatoloven alapintaa ylemmäksi. Vastapuolen sahaus täytyy olla täysin vaakasuora. Jätä vastapuolen viiloksen ja loven väliin pitopuuta noin 1/10 puun halkaisijasta. Ehjäksi jätetty pitopuu toimii saranana. Aseta kiilat vastapuolen sahausajon ajoissa.

► Kuva32

⚠️VAROITUS: Älä sahaa kokonaan puun läpi missään tilanteessa. Muutoin puu kaatuu hallitsemattomasti.

⚠️HUOMAUTUS: Vastapuolen sahausajan auki pitämiseksi saa käyttää vain muovi- tai alumiini-kiiloja. Rautakiilojen käyttö on kielletty.

Koneen kantaminen

Ennen kuin kannat työkalua, kytke ketjujarru ja irrota akkupaketti työkalusta. Kiinnitä sitten terälevyn suojuus. Peitä myös akkupaketti sen suojuksella.

► Kuva33: 1. Terälevyn suojuus 2. Akun suojuus

KUNNOSSAPITO

⚠️HUOMIO: Varmista aina ennen tarkastusta tai huoltoa, että työkalu on sammutettu ja akku irrotettu.

⚠️HUOMIO: Käytä aina suojakäsineitä, kun tarkastat laitetta tai teet huoltotyötä.

⚠️HUOMAUTUS: Älä koskaan käytä bensiiniä, ohenteita, alkoholia tai tms. aineita. Muutoin pinta voi halkeilla tai sen värit ja muoto voivat muuttua. Muutoin laitteeseen voi tulla värjäytyksiä, muodon vääristymiä tai halkeamia.

Tuotteen TURVALLISUUDEN ja LUOTETTAVUUDEN takaamiseksi korjaukset, muut huoltotyöt ja säädöt on teetettävä Makitan valtuutetussa huoltopisteessä Makitan varaosia käyttäen.

Ketjun teroitus

Teroita ketju, kun:

- Kosteaa puuta sahatessa syntyy jauhomaista sahajauhoa;
- Ketju tunkeutuu puuhun heikosti, vaikka sahaa painettaisiin voimakkaasti;
- Leikkuureuna on selvästi vaurioitunut;
- Saha vetää puussa vasemmalle tai oikealle. (tähän on syyinä ketjun epätasainen teroitus tai toisen puolen vaurioituminen)

Teroita ketju säännöllisesti, mutta poista vain vähän materiaalia kerrallaan. Kaksi tai kolme viilan vetoa tavallisesti riittää tavanomaisessa teroituksessa. Kun olet teroittanut ketjun useaan kertaan, teroituta se vaiutetussa huoltoliikkeessä.

Teroituskriteerit:

VAROITUS: Suuri etäisyys leikkausterän ja syvyydensäätohampaan välillä lisää takapotkun vaaraa.

- **Kuva34:** 1. Leikkauspituus 2. Etäisyys leikkausterän ja syvyydensäätohampaan välillä 3. Minimileikkauspituus (3 mm)

- Kaikkien hampaiden täytyy olla yhtä pitkiä. Eripituiset hampaat estävät ketjua pyörimästä tasaisesti ja voivat aiheuttaa ketjun katkeamisen.
- Älä teroita ketjua, kun hampaan pituus on 3 mm tai lyhyempi. Ketju on vaihdettava uuteen.
- Lastun paksuuden määrää syvyydensäätohampaan (pyöreä kärki) ja leikkuureunan välinen etäisyys.
- Paras sahaustulos saadaan, kun leikkuuterän ja syvyydensäätohampaan välinen etäisyys on seuraava.
 - Ketjuterä 90PX : 0,65 mm

► Kuva35

- Kaikkien hampaiden teroituskulman täytyy olla 30 astetta. Kulmapoikkeamat saavat ketjun pyörimään epätasaisesti, lisäävät kulumista ja aiheuttavat ketjujen katkeamisen.
- Käytä sopivaa pyöreää viilaa, jotta oikea teroituskulma pidetään hampaassa.
 - Ketjuterä 90PX : 55°:ssa

Viila ja viilan opaste

- Käytä ketjun teroitukseen pyöreää erikoisviilaa (lisävaruste). Tavanomaiset pyöreät viilat eivät sovi tähän tarkoitukseen.
- Pyöreän viilan läpimitat kullekin ketjulle ovat seuraavat:
 - Ketjuterä 90PX : 4,5 mm
- Viila saa ottaa hampaaseen vain eteenpäin suuntautuvalla vedolla. Nosta viila irti hampaasta paluuvedolla.
- Teroita lyhyin hammas ensimmäiseksi. Tämän hampaan pituutta käytetään sitten ketjun muiden hampaiden mittana.
- Ohjaa viilaa kuvan osoittamalla tavalla.

- **Kuva36:** 1. Viila 2. Teräketju

- Viilan ohjaaminen helpottuu, jos käytetään viilaohjainta (lisävaruste). Oikea 30° teroituskulma on merkitty viilaohjaimeen (kohdista merkinnät niin, että ne ovat yksisuuntaisia teräketjun kanssa). Ohjain rajoittaa myös tunkeumasyyvyyden oikeaksi (4/5 viilan halkaisijasta).

- **Kuva37:** 1. Viilan pidike

- Teroituksen jälkeen tarkista syvyydensäätohampaan korkeus ketjunmittaustyökalulla (lisävaruste).

► Kuva38

- Poista kaikki, myös aivan vähäinen ulkoneva aines erikoislattaviillalla (lisävaruste).
- Pyöristä syvyydensäätohampaan etuosa uudelleen.

Terälevyn puhdistus

Lastut ja sahanpuru kerääntyvät terälevyyn. Ne tukkivat sen ja heikentävät öljyn virtauksen. Puhdista saha aina lastuista ja sahanpuruista sahan teroituksen tai ketjunvaihdon yhteydessä.

► Kuva39

Hammaspyörän kotelon puhdistaminen

Lastut ja sahanpuru kerääntyvät hammaspyörän koteloon. Irrota hammaspyörän kotelo ja teräketju työkalusta ja poista lastut ja sahanpuru.

► Kuva40

Öljynpäästöaukon puhdistus

Öljynpäästöaukkoon saattaa kerääntyä käytön aikana hienojakoista pölyä tai muita hiukkasia. Öljysuodattimessa kerääntynyt vähäinen pöly tai muut hiukkaset saattavat heikentää päästövirtaa ja aiheuttaa sahalle riittämättömän voitelun. Jos terälevyn kärkeen ei tule riittävästi öljyä, puhdista öljynpäästöaukko seuraavasti.

1. Poista hammaspyörän kotelo ja ketju työkalusta.
2. Poista hienojakoinen pöly tai hiukkaset tasapääruivaltalla tai vastaavalla.

► Kuva41:

1. Ristipääruivaltalla 2. Öljynpoistoaukko
3. Kiinnitä akkupaketti ketjusahaan. Vedä liipaisinkytkimestä, jotta kerääntynyt pöly tai muut hiukkaset voisivat virrata pois öljynpäästöaukosta ketjuöljyn vapauttaen.
4. Irrota akkupaketti työkalusta. Asenna uudelleen hammaspyörän kotelo ja ketju työkaluun.

Hammaspyörän vaihtaminen

HUOMIO: Kulunut hammaspyörä vahingoittaa uutta teräketjua. Tässä tapauksessa vaihda kulunut hammaspyörä.

Ennen uuden ketjun kiinnitystä tarkista hammaspyörän kunto.

► Kuva42:

1. Hammaspyörä 2. Kuluvat alueet

Vaihda myös lukitusrengas hammaspyörän vaihdon yhteydessä.

► Kuva43:

1. Lukitusrengas 2. Hammaspyörä

HUOMAUTUS: Varmista, että hammaspyörä asennetaan kuvan esittämällä tavalla.

Työkalun säilyttäminen

1. Puhdista ketjusaha ennen säilytystä. Poista kaikki lastut ja sahanpurut ketjusahasta hammaspyörän suojuksen poistamisen jälkeen.
2. Kun olet puhdistanut sahan, käytä sitä ilman kuormaa, jotta öljy levittyy terälevyyn ja ketjuun.
3. Aseta terälevyn suojus paikalleen terälevyn päälle.
4. Tyhjennä öljysäiliö.

Määräaikaishuolto

Tekemällä seuraavat huoltotoimenpiteet säännöllisesti voit varmistaa pitkän käyttöiän, ehkäistä vikoja ja varmistaa turvalaitteiden moitteettoman toiminnan. Takuu edellyttää, että huollot tehdään säännöllisesti ja ohjeiden mukaan. Huollon laiminlyönti voi aiheuttaa tapaturmavaaran! Ketjusahan käyttäjä ei saa tehdä muita kuin tässä oppaassa kuvattuja huoltotyöitä. Kaikki tällaiset huoltotyöt on teetettävä valtuutetussa huoltoliikkeessä.

Tarkistettava kohde / käyttöaika		Ennen käyttöä	Päivittäin	Kerran viikossa	3 kuukauden välein	Kerran vuodessa	Ennen varastointia
Ketjusaha	Tarkastus.	✓	-	-	-	-	-
	Puhdistus.	-	✓	-	-	-	-
	Ota yhteys valtuutettuun huoltoliikkeeseen.	-	-	-	-	✓	✓
Teräketju	Tarkastus.	✓	-	-	-	-	-
	Teroita tarvittaessa.	-	-	-	-	-	✓
Terälevy	Tarkastus.	✓	✓	-	-	-	-
	Irrota ketjusahasta.	-	-	-	-	-	✓
Ketjujarru	Tarkista toiminta.	✓	-	-	-	-	-
	Tarkistuta se säännöllisesti valtuutetussa huoltoliikkeessä.	-	-	-	✓	-	-
Ketjun voitelu	Tarkista öljynsyöttömäärä.	✓	-	-	-	-	-
Liipaisinkytkin	Tarkastus.	✓	-	-	-	-	-
Lukituksen vapautuspainike	Tarkastus.	✓	-	-	-	-	-
Öljysäiliön korkki	Tarkista kireys.	✓	-	-	-	-	-
Ketjusieppo	Tarkastus.	-	-	✓	-	-	-
Ruuvit ja mutterit	Tarkastus.	-	-	✓	-	-	-

VIANMÄÄRITYS

Tarkista laite ensin itse, ennen kuin viet sen korjattavaksi. Jos ongelmaan ei löydy ratkaisua käyttöoppaasta, älä kuitenkaan yritä purkaa työkalua osiin. Ota sen sijaan yhteyttä Makita-huoltoliikkeeseen. Käytä korjaamiseen aina alkuperäisiä Makita-varaosia.

Toimintahäiriö	Syy	Toimenpide
Ketjusaha ei käynnisty.	Akkupakettia ei ole asennettu.	Asenna ladattu akkupaketti paikalleen.
	Akkuongelma (alijännite).	Lataa akkupaketti. Jos lataaminen ei toimi, vaihda akkupaketti.
Saha ei toimi.	Ketjujarru kytketty.	Vapauta ketjujarru.
Moottori pysähtyy lyhyen käytön jälkeen.	Akun varaustila on alhainen.	Lataa akkupaketti. Jos lataaminen ei toimi, vaihda akkupaketti.
Ketjussa ei ole öljyä.	Öljysäiliö tyhjä.	Täytä öljysäiliö.
	Öljyn syöttöura on likainen.	Puhdista ura.
Ketjusaha ei saavuta suurinta kierroslukua.	Akkupaketti on asennettu väärin.	Asenna akkupaketti tämän käyttöohjeen ohjeiden mukaan.
	Akun teho laskee.	Lataa akkupaketti. Jos lataaminen ei toimi tehokkaasti, vaihda akkupakettia.
	Vetojärjestelmä ei toimi oikein.	Pyydä valtuutettua paikallista huoltoliikettä korjaamaan laite.
Ketju ei pysähdy vaikka ketjujarru aktiivoidaan: Pysäytä työkalu heti!	Jarrunauha on kulunut.	Pyydä valtuutettua paikallista huoltoliikettä korjaamaan laite.
Epänormaali tärinä: Pysäytä työkalu heti!	Löysää terälevyä tai teräketjua.	Säädä terälevyä ja teräketjun kireyttä.
	Työkalun toimintahäiriö.	Pyydä valtuutettua paikallista huoltoliikettä korjaamaan laite.
Teräketjun asentaminen ei onnistu.	Teräketjun ja hammaspyörän yhdistelmä ei ole oikea.	Tarkista oikeat teräketjun ja hammaspyörän yhdistelmät teknisten tietojen osiosta ja käytä oikeaa yhdistelmää.

LISÄVARUSTEET

⚠HUOMIO: Seuraavia lisävarusteita tai laitteita suositellaan käytettäväksi tässä ohjeessa kuvatun Makita-työkalun kanssa. Muiden lisävarusteiden tai laitteiden käyttö voi aiheuttaa henkilövahinkoja. Käytä lisävarusteita ja -laitteita vain niiden käyttötarkoituksen mukaisesti.

Jos tarvitset apua tai yksityiskohtaisempia tietoja seuraavista lisävarusteista, ota yhteys paikalliseen Makitan huoltoon.

- Teräketju
- Terälevy
- Terälevyn suojuus
- Viila
- Työkalulaukku
- Aito Makita-akku ja -laturi

⚠VAROITUS: Jos ostat muunpituisen kuin vakioerälevyn, osta myös siihen sopiva terälevyn suoja. Sen on sovittava terälevyyn ja peitettävä se kokonaan.

HUOMAA: Jotkin luettelossa mainitut varusteet voivat sisältyä työkalun toimitukseen vakiovarusteina. Ne voivat vaihdella maittain.

SPECIFIKATIONER

Model:		DUC307	DUC357	DUC407
Samlet længde (uden sværd)		428 mm		
Nominel spænding		D.C. 18 V		
Nettovægt	*1	2,9 kg		
	*2	4,2 - 4,3 kg		
Længde af standardsværd		300 mm	350 mm	400 mm
Anbefalet sværdlængde		300 - 400 mm		
Anvendelig savkædetype (se tabellen nedenfor)		90PX		
Kædehjul	Antal tænder	6		
	Tandafstand	3/8"		
Kædehastighed		0 - 7,7 m/s (0 - 460 m/min)		
Volumen af kædeolietank		150 cm ³		

- På grund af vores kontinuerlige forsknings- og udviklingsprogrammer kan hosstående specifikationer blive ændret uden varsel.
- Specifikationer kan variere fra land til land.
- *1: Vægt uden savkæde, sværd, sværdbeskytter, olie og akku(er).
- *2: Den letteste og tungeste kombination af vægt i henhold til EPTA-proceduren 01/2014. Vægten kan variere afhængigt af tilbehøret, inklusive akkuen/akkuer.

Kombination af savkæde, sværd og kædehjul

Savkædetype		90PX		
Antal drivled		46	52	56
Sværd	Længde af sværd	300 mm	350 mm	400 mm
	Snitlængde	275 mm	330 mm	370 mm
	Tandafstand	3/8"		
	Afstand	1,1 mm		
	Type	Kædehjulspids		
Kædehjul	Antal tænder	6		
	Tandafstand	3/8"		

⚠ ADVARSEL: Brug en passende kombination af sværd og savkæde. I modsat fald kan det medføre tilskadekomst.

Anvendelig akku og oplader

Akku	BL1830B / BL1840B / BL1850B / BL1860B
Oplader	DC18RC / DC18RD / DC18RE / DC18SD / DC18SE / DC18SF / DC18SH

- Nogle af de akkuer og opladere, der er angivet ovenfor, er muligvis ikke tilgængelige, afhængigt af hvilket område du bor i.

⚠ ADVARSEL: Brug kun de akkuer og opladere, der er angivet ovenfor. Brug af andre akkuer og opladere kan medføre personskaade og/eller brand.















Anbefalet ledningstilsluttet strømforsyningskilde

Bærbart strømforsyning	PDC01
------------------------	-------

- Den eller de ovenfor anførte ledningstilsluttede strømforsyningskilder er muligvis ikke tilgængelige, afhængigt af hvilket område du bor i.
- Inden du bruger den ledningstilsluttede strømforsyningskilde, skal du læse instruktionen og advarselsmarkeringerne på dem.

Symboler

Følgende viser de symboler, der muligvis anvendes til udstyret. Sørg for, at du forstår deres betydning før brugen.

	Læs brugsanvisningen.
	Bær sikkerhedsbriller.
	Bær høreværn.
	Bær høreværn.
	Bær høreværn.
	Maks. tilladt skærelængde
	Brug altid begge hænder, når du betjener kædesaven.
	Pas på tilbageslag af kædesaven og undgå kontakt med sværdets spids.
	Må ikke udsættes for fugt.
	Retning af kædens bevægelse
	Justering af savkædeolie
	Kun for lande inden for EU På grund af tilstedeværelsen af farlige komponenter i udstyret kan affald af elektrisk og elektronisk udstyr, akkumulatører og batterier have en negativ indvirkning på miljøet og folkesundheden. Bortskaf ikke elektriske og elektroniske apparater eller batterier sammen med husholdningsaffald! I overensstemmelse med EF-direktiv om affaldshåndtering af elektrisk og elektronisk udstyr og om akkumulatører og batterier og affaldsakkumulatører og -batterier, og i overensstemmelse med national lovgivning, skal brugt elektrisk udstyr, batterier og akkumulatører opbevares separat og leveres til et separat indsamlingssted for kommunalt affald, der er etableret i henhold til bestemmelserne om miljøbeskyttelse. Dette er angivet ved symbolet på den krydsede skraldespand, der er placeret på udstyret.
	Garanteret lydeffektniveau i henhold til EU-direktivet om maskiner til udendørs brug.
	Lydeffektniveau i henhold til Australiens NSW forordning om støjemission

Tilsløget anvendelse

Denne kædesav er beregnet til at save i træ.

Støj

Det typiske A-vægtede støjniveau bestemt i overensstemmelse med EN62841-4-1:

Model DUC307

Lydtryksniveau (L_{pA}): 86 dB (A)
Lydeffektniveau (L_{WA}): 97 dB (A)
Usikkerhed (K): 3 dB (A)

Model DUC357

Lydtryksniveau (L_{pA}): 86 dB (A)
Lydeffektniveau (L_{WA}): 97 dB (A)
Usikkerhed (K): 3 dB (A)

Model DUC407

Lydtryksniveau (L_{pA}): 86 dB (A)
Lydeffektniveau (L_{WA}): 97 dB (A)
Usikkerhed (K): 3 dB (A)

BEMÆRK: De(n) angivne støjemissionsværdi(er) er målt i overensstemmelse med en standardtestmetode og kan anvendes til at sammenligne en maskine med en anden.

BEMÆRK: De(n) angivne støjemissionsværdi(er) kan også anvendes i en præliminær eksponeringsvurdering.

⚠ ADVARSEL: Bær høreværn.

⚠ ADVARSEL: Støjemissionen under den faktiske anvendelse af maskinen kan være forskellig fra de(n) angivne værdi(er), afhængigt af den måde hvorpå maskinen anvendes, især den type arbejdsemne der behandles.

⚠ ADVARSEL: Sørg for at identificere de sikkerhedsforskrifter til beskyttelse af operatøren, som er baseret på en vurdering af eksponering under de faktiske brugsforhold (med hensyntagen til alle dele i brugscyklussen, f.eks. de gange, hvor maskinen er slukket, og når den kører i tomgang i tilgift til afbrydertiden).

Vibration

Vibrationens totalværdi (tre-aksial vektorsum) bestemt i overensstemmelse med EN62841-4-1:

Model DUC307

Arbejdstilstand: skæring i træ
Vibrationsemission ($a_{h,W}$): 5,4 m/s²
Usikkerhed (K): 1,5 m/s²

Model DUC357

Arbejdstilstand: skæring i træ
Vibrationsemission ($a_{h,W}$): 5,4 m/s²
Usikkerhed (K): 1,5 m/s²

Model DUC407

Arbejdstilstand: skæring i træ
Vibrationsemission ($a_{h,W}$): 5,4 m/s²
Usikkerhed (K): 1,5 m/s²

BEMÆRK: De(n) angivne totalværdi(er) for vibration er målt i overensstemmelse med en standardtestmetode og kan anvendes til at sammenligne en maskine med en anden.

BEMÆRK: De(n) angivne totalværdi(er) for vibration kan også anvendes i en præliminær eksponeringsvurdering.

⚠ ADVARSEL: Vibrationsemissionen under den faktiske anvendelse af maskinen kan være forskellig fra de(n) angivne værdi(er), afhængigt af den måde hvorpå maskinen anvendes, især den type arbejdsemne der behandles.

⚠ ADVARSEL: Sørg for at identificere de sikkerhedsforskrifter til beskyttelse af operatøren, som er baseret på en vurdering af eksponering under de faktiske brugsforhold (med hensyntagen til alle dele i brugscyklussen, f.eks. de gange, hvor maskinen er slukket, og når den kører i tomgang i tilgift til afbrydertiden).

EF-overensstemmelseserklæring

Kun for lande i Europa

EF-overensstemmelseserklæringen er inkluderet som Bilag A i denne brugsanvisning.

SIKKERHEDSADVARSLER

Almindelige sikkerhedsregler for el-værktøj

⚠ ADVARSEL: Læs alle de sikkerhedsadvarsler, instruktioner, illustrationer og specifikationer, der følger med denne maskine. Forsømmelse af at overholde alle nedenstående instruktioner kan medføre elektrisk stød, brand og/eller alvorlig personskade.

Gem alle advarsler og instruktioner til fremtidig reference.

Ordet "el-værktøj" i advarslerne henviser til det netforsyede (netledning) el-værktøj eller batteriforsyede (akku) el-værktøj.

Generelle sikkerhedsadvarsler for kædesav

1. **Hold alle kropsdele på god afstand af savkæden, når kædesaven er i gang. Sørg inden kædesaven startes for, at savkæden ikke er i kontakt med noget.** Et øjeblik uopmærksomhed under anvendelse af kædesaven kan bevirke, at dit tøj eller dine kropsdele kommer i kontakt med savkæden.
2. **Hold altid kædesaven med din højre hånd på det bageste håndtag og din venstre hånd på det forreste håndtag.** Hvis du holder i kædesaven med omvendt placering af hænderne, øges risikoen for tilskadekomst, hvorfor dette aldrig bør gøres.
3. **Hold kun i kædesaven på de isolerede grebflader, da savkæden kan komme i berøring med skjulte ledninger.** Savkæder, der kommer i berøring med en strømførende ledning, kan gøre eksponerede metaldele på kædesaven strømførende og kan give operatøren et elektrisk stød.

4. **Bær øjenværn. Anvendelse af yderligere beskyttelsesudstyr til hørelse, hoved, hænder, ben og fødder anbefales.** Egnet beskyttelsesudstyr vil mindske personskader som følge af flyvende rester eller utilsigtet kontakt med savkæden.
5. **Anvend ikke en kædesav i et træ, på en stige, fra taget eller ustabil støtte.** Anvendelse af en kædesav på denne måde kan medføre alvorlig personskade.
6. **Oprethold altid ordentligt fodfæste, og anvend kun kædesaven, når du står på en fast, sikker og jævn overflade.** Glatte eller ustabile overflader kan medføre, at du mister balancen eller kontrollen over kædesaven.
7. **Når du skærer en gren, der er i spænd, skal du være opmærksom på tilbageslag.** Når spændingen i træfibrene frigøres, kan grenen i spænd ramme operatøren og/eller slynge kædesaven ud af kontrol.
8. **Udvis den største forsigtighed, når du skærer krat og unge træer.** Det tynde materiale kan blive fanget i savkæden og blive slynget mod dig eller kaste dig ud af balance.
9. **Bær kædesaven i det forreste håndtag med kædesaven slukket og væk fra kroppen.** Når kædesaven transporteres eller opbevares, skal du altid montere sværdbeskytteren. Korrekt håndtering af kædesaven vil reducere sandsynligheden for utilsigtet berøring med den bevægelige savkæde.
10. **Følg instruktionerne for smøring, kædespænding og udskitning af sværdet og kæden.** En ukorrekt spændt eller smurt kæde kan enten knække kæden eller øge risikoen for tilbageslag.
11. **Skær kun i træ. Anvend ikke kædesaven til andre formål end dem, den er beregnet til. For eksempel: Anvend ikke kædesaven til at skære metal, plast, murværk eller andre ikke-træbaserede byggematerialer.** Anvendelse af kædesaven til andre anvendelsesformål end de tilsigtede kan resultere i en farlig situation.
12. **Forsøg ikke at fælde et træ, før du har en forståelse for risiciene, og hvordan du undgår dem.** Operatøren eller tilskuere kan komme alvorligt til skade under fældning af et træ.
13. **Årsager til tilbageslag, og hvordan operatøren kan forhindre det:**
Tilbageslag kan opstå, hvis næsen eller spidsen af sværdet berører en genstand, eller hvis træet lukker sammen og klemmer savkæden fast i snittet. Spidskontakt kan i nogle tilfælde forårsage en pludselig baglæns reaktion, hvorved sværdet trykkes op og tilbage mod operatøren. Hvis savkæden klemmes langs sværdets overside, kan det skubbe sværdet hurtigt tilbage mod operatøren. Begge disse reaktioner kan bevirke, at du mister kontrollen over saven, hvilket kan resultere i alvorlig personskade. Undlad at stole udelukkende på de sikkerhedsanordninger, der er indbygget i saven. Som bruger af en kædesav bør du træffe flere forholdsregler for at undgå ulykker og personskader under skærearbejdet. Tilbageslag er et resultat af forkert brug af kædesaven og/eller ukorrekte driftsprocedurer eller -betingelser og kan undgås ved at træffe de nødvendige forholdsregler som angivet nedenfor:

- **Hold godt fast i kædesaven med tommelfingre og de andre fingre omkring savens håndtag og med begge hænder på saven, og placer kroppen og armen således, at tilbageslag modvirkes.** Tilbageslag kan forhindres af operatøren, hvis de rigtige forholdsregler tages. Slip ikke kædesaven.

► Fig.1

- **Stræk dig ikke for langt, og skær ikke over skulderhøjde.** Dette bidrager til at forebygge utilsigtet spidskontakt og muliggør en bedre beherskelse af kædesaven i uventede situationer.
 - **Anvend kun de udskiftningssværd og -savkæder, der er angivet af producenten.** Forkerte udskiftningssværd og -savkæder kan forårsage brud på kæden og/eller tilbageslag.
 - **Følg fabrikantens anvisninger for slibning og vedligeholdelse af savkæden.** Mindskning af dybdemålerhøjden kan føre til øget tilbageslag.
14. **Følg alle instruktioner, når du fjerner fastklemmt materiale, opbevarer eller servicere kædesaven. Sørg for, at kontakten er slukket, og at batteripakken er fjernet.** Uventet aktivering af kædesaven under afhjælpning af fastklemmt materiale eller service kan resultere i alvorlig personskade.

Yderligere sikkerhedsinstruktioner

Personligt beskyttelsesudstyr

1. Beklædningen skal være tætsiddende, men må ikke hindre mobiliteten.
2. Bær følgende beskyttelsesbeklædning under arbejdet:
 - En testet sikkerhedshjelm, hvis der er fare for nedfaldende grene eller lignende;
 - En ansigtsmaske eller beskyttelsesbriller;
 - Egnede hørevern (ørepropper, tilpassede eller formbare ørepropper). Oktav brand-analyse efter anmodning.
 - Faste sikkerhedshandsker af læder;
 - Lange bukser fremstillet af stærkt stof;
 - Beskyttelsesbukser fremstillet af skærefast stof;
 - Sikkerhedssko eller -støvler med skridsikre såler, stålsnuder og skærefast stofforing;
 - En åndedrætsmaske, når der udføres arbejde, der frembringer støv (f.eks. savning af tørt træ).

Drift

1. **Kontroller inden arbejdet påbegyndes, at kædesaven er i korrekt arbejdstilstand, og at dens tilstand opfylder betingelserne i sikkerhedsregulativerne. Kontroller specielt at:**
 - Kædebremsen fungerer ordentligt,
 - Stopbremsen fungerer ordentligt,
 - Sværdet og kædehjulsdækslet er korrekt monteret,
 - Kæden er blevet skærpet og spændt i overensstemmelse med regulativerne.

2. **Start ikke kædesaven med kædedækslet monteret.** Hvis kædesaven startes med kædedækslet monteret, kan det betyde, at kædedækslet slynges fremad med tilskadekomst og skade på genstande omkring operatøren til følge.

Elektrisk sikkerhed og batterisikkerhed

1. **Undgå farlige miljøer. Brug ikke maskinen på fugtige eller våde steder, og udsæt den ikke for regn.** Hvis der kommer vand ind i maskinen, forøger det risikoen for elektrisk stød.
2. **Undlad at kaste batterierne i åben ild.** Cellen kan eksplodere. Tjek de lokale regler for eventuelle særlige instruktioner vedrørende bortskaffelse.
3. **Undlad at åbne eller mishandle batterierne.** Lækket elektrolyt er ætsende og kan medføre skader på øjnene eller huden. Den kan være giftig, hvis den indtages.
4. **Undlad at oplade batteriet i regnvejrløse eller under våde forhold.**
5. **Oplad ikke batteriet uden døre.**
6. **Håndter ikke oplader, herunder opladerstik, og opladerterminaler med våde hænder.**
7. **Undlad at udskifte batteriet i regnvejrløse.**
8. **Undlad at udskifte batteriet med våde hænder.**
9. **Undlad at efterlade batteriet i regnvejrløse eller oplade, anvende eller opbevare batteriet på et fugtigt eller vådt sted.**
10. **Undlad at fugte batteriets terminal med væske såsom vand, og batteriet må ikke nedsænkes i væske.** Hvis terminalen bliver våd, eller der trænger væske ind i batteriet, kan batteriet kortsluttes, og der er risiko for overophedning, brand eller eksplosion.
11. **Når batteriet er blevet afmonteret fra maskinen eller opladeren, skal du sørge for at fastgøre batteridækslet til batteriet og opbevare det på et tørt sted.**
12. **Hvis akkuen bliver våd, skal du aftappe vandet indeni og derefter tørre den af med en tør klud. Tør akkuen helt på et tørt sted før brug.**

GEM DENNE BRUGSANVISNING.

⚠ADVARSEL: LAD IKKE bekvemmelighed eller kendskab til produktet (opnået gennem gentagen brug) forhindre, at sikkerhedsforskrifterne for produktet nøje overholdes. MISBRUG eller forsømmelse af at følge de i denne brugsvejledning givne sikkerhedsforskrifter kan føre til, at De kommer alvorligt til skade.

Vigtige sikkerhedsinstruktioner for akkuen

1. **Læs alle instruktioner og advarselmærkater på (1) akku-opladeren, (2) akkuen og (3) produktet, som anvender akku.**
2. **Adskil eller ændr ikke akkuen.** Det kan muligvis resultere i en brand, overdreven varme eller eksplosion.
3. **Hold straks op med anvendelsen, hvis brugstiden er blevet stærkt afkortet.** Fortsat anvendelse kan resultere i risiko for overophedning, forbrændinger og endog eksplosion.

4. Hvis De har fået elektrolytvæske i øjnene, skal De straks skylle den ud med rent vand og derefter øjeblikkeligt søge lægehjælp. I modsat fald kan De miste synet.
5. Vær påpasselig med ikke at komme til at kortslutte akkuen:
 - (1) Rør ikke ved terminalerne med noget ledende materiale.
 - (2) Undgå at opbevare akkuen i en beholder sammen med andre genstande af metal, for eksempel søm, mønter og lignende.
 - (3) Udsæt ikke akkuen for vand eller regn. Kortslutning af akkuen kan forårsage en kraftig øgning af strømmen, overophedning, mulige forbrændinger og endog værktøjsstop.
6. Opbevar og brug ikke maskinen og akkuen på steder, hvor temperaturen muligvis kan nå eller overstige 50 °C.
7. Lad være med at brænde akkuen, selv ikke i tilfælde, hvor den har lidt alvorlig skade eller er fuldstændig udtjent. Akkuen kan eksplodere, hvis man forsøger at brænde den.
8. Slå ikke søm i, skær ikke i, knus, kast, tab ikke akkuen og stød ikke akkuen mod en hård genstand. Sådant adfærd kan muligvis resultere i en brand, overdreven varme eller eksplosion.
9. Anvend ikke en beskadiget akku.
10. De indbyggede litium-ion-batterier er underlagt lovkrav vedrørende farligt gods. Ved kommerciel transport, f.eks. af tredjeparts transportselskaber, skal særlige krav til forpakning og mærkning overholdes. Ved forberedelse af udstyret til forsendelse skal du kontakte en ekspert i farligt gods. Overhold også eventuel mere detaljeret national lovgivning. Tape eller tildæk åbne kontakter, og pak batteriet på en måde, så det ikke kan flytte sig rundt i pakningen.
11. Når akkuen bortskaffes, skal du fjerne den fra maskinen og bortskaffe den på et sikkert sted. Følg de lokale love vedrørende bortskaffelsen af batterier.
12. Brug kun batterierne med de produkter, som Makita specificerer. Hvis batterierne installeres i ikke-kompatible produkter, kan det medføre brand, kraftig varme, eksplosion eller udsivning af elektrolyt.
13. Hvis maskinen ikke skal bruges i længere tid ad gangen, skal du fjerne batteriet fra maskinen.
14. Akkuen kan muligvis under og efter brug være varm, hvilket kan forårsage forbrændinger eller lavtemperaturforbrændinger. Vær påpasselig med håndtering af varme akkuer.
15. Rør ikke terminalen på maskinen straks efter brug, da den bliver varm nok til at forårsage forbrændinger.
16. Sørg for, at spåner, støv eller jord ikke sætter sig fast i akkuens terminaler, huller og riller. Det kan forårsage opvarmning, antændelse, sprængning og funktionsfejl i maskinen eller akkuen, hvilket kan medføre forbrændinger eller personskade.
17. Medmindre maskinen understøtter brugen i nærheden af elektriske højspændingsledninger, skal du ikke anvende akkuen i nærheden af elektriske højspændingsledninger. Det kan muligvis medføre funktionsfejl på eller nedbrud af maskinen eller akkuen.
18. Opbevar batteriet utilgængeligt for børn.

GEM DENNE BRUGSANVISNING.

⚠FORSIGTIG: Brug kun originale batterier fra Makita. Brug af uoriginale Makita-batterier, eller batterier som er blevet ændret, kan muligvis medføre brud på batteriet, hvilket kan forårsage brand, personskade eller beskadigelse. Det ugyldiggør også Makita-garantien for Makita-maskinen og opladeren.

Tips til opnåelse af maksimal akku-levetid

1. Oplad akkuen, inden den er helt afladet. Stop altid værktøjet, og oplad akkuen, hvis De bemærker, at værktøjeffekten er aftagende.
2. Genoplad aldrig en fuldt opladet akku. Overopladning vil afkorte akkuens levetid.
3. Oplad akkuen ved stuetemperatur ved 10 °C - 40 °C. Lad altid en varm akku få tid til at køle af, inden den oplades.
4. Når du ikke anvender akkuen, skal du fjerne den fra maskinen eller opladeren.
5. Oplad akkuen, hvis De ikke skal bruge den i længere tid (mere end seks måneder).

BESKRIVELSE AF DELENE

► Fig.2

1	Frontkappe	2	Arm	3	Sværd
4	Savkæde	5	Sværdbeskytter	6	Lås fra-knap
7	Bageste håndtag	8	Afbrøderknap	9	Akku
10	Forreste håndtag	11	Olietankdæksel	12	Barkstøtte
13	Kædefanger	14	Justeringsdrejeknap	-	-

FUNKTIONSBESKRIVELSE

⚠️FORSIGTIG: Sørg altid for at maskinen er slukket, og at akkuen er taget ud, før der udføres justering eller kontrol af funktioner på maskinen.

Isætning eller fjernelse af akkuen

⚠️FORSIGTIG: Sluk altid for værktøjet, før De monterer eller fjerner akkuen.

⚠️FORSIGTIG: Hold værktøjet og akkuen fast ved montering eller fjernelse af akkuen. Hvis De ikke holder værktøjet og akkuen fast, kan de glide ud af hænderne på Dem og forårsage beskadigelse af værktøjet og akkuen eller personskaade.

► Fig.3: 1. Rød indikator 2. Knap 3. Akku

Akkuen fjernes ved, at De trækker den ud af værktøjet, idet De skyder knappen på forsiden af akkuen i stilling.

For at montere akkuen skal du justere tungen på akkuen med rillen i huset og skubbe den på plads. Indsæt den hele vejen, indtil den låses på plads med et lille klik. Hvis du kan se den røde indikator, som vist i figuren, er den ikke helt låst.

⚠️FORSIGTIG: Monter altid akkuen helt, indtil den røde indikator ikke længere er synlig. Hvis dette ikke gøres, kan den falde ud af værktøjet ved et uheld, hvorved De selv eller personer i nærheden kan komme til skade.

⚠️FORSIGTIG: Brug ikke magt ved montering af akkuen. Hvis akkuen ikke glider på plads uden problemer, betyder det, at den ikke sættes i på korrekt vis.

Indikation af den resterende batteriladning

Kun til akkuer med indikatoren

► Fig.4: 1. Indikatorlamper 2. Kontrolknap

Tryk på kontrolknappen på akkuen for at få vist den resterende batteriladning. Indikatorlampen lyser i nogle sekunder.

Indikatorlamper			Resterende ladning
Tændt	Slukket	Blinker	
■	□	◻	75% til 100%
■ ■ ■ ■			
■ ■ ■	□		50% til 75%
■ ■	□ □		25% til 50%
■	□ □ □		0% til 25%
◻	□ □ □ □		Genopladd batteriet.
■ ■	□ □		Der er muligvis fejl i batteriet.
□ □	■ ■		

BEMÆRK: Afhængigt af brugsforholdene og den omgivende temperatur kan indikationen afvige en smule fra den faktiske ladning.

BEMÆRK: Den første indikatorlampe (længst mod venstre) vil blinke, når batteribeskyttelsessystemet aktiveres.

Beskyttelsessystem til værktøj/batteri

Maskinen er udstyret med et beskyttelsessystem til maskinen/batteriet. Dette system afbryder automatisk strømmen til motoren for at forlænge maskinens og batteriets levetid. Maskinen stopper automatisk under brugen, hvis maskinen eller batteriet udsættes for et af følgende forhold:

Overbelastningsbeskyttelse

Hvis maskinen eller batteriet betjenes på en måde, der får den/det til at bruge unormalt meget strøm, stopper maskine automatisk. Sluk i så fald for maskinen, og stop den anvendelse, der medførte overbelastningen af maskinen. Tænd derefter for maskinen for at starte igen.

Beskyttelse mod overophedning

Hvis maskinen eller batteriet er overophedet, stopper maskinen automatisk. Lad i så fald maskinen og batteriet køle af, før du tænder for maskinen igen.

BEMÆRK: Under forhold med høje temperaturer vil beskyttelsen mod overophedning sandsynligvis fungere, og maskinen stopper automatisk.

Beskyttelse mod overafledning

Når batteriladningen er utilstrækkelig, stopper maskinen automatisk. Tag i så fald akkuen ud af maskinen, og oplad akkuen.

Beskyttelse mod andre årsager

Beskyttelsessystemet er også designet til andre årsager, der kan beskadige maskinen og gør det muligt for maskinen at stoppe automatisk. Træf alle følgende foranstaltninger for at fjerne årsagerne, når maskinen midlertidigt er blevet bragt til standsning eller stoppet i drift.

1. Sluk for maskinen, og tænd den igen for at genstarte.
2. Oplad batteriet/batterierne, eller udskift det/dem med genopladdet/genopladede batteri/batterier.
3. Lad maskinen og batteriet/batterierne køle af.

Hvis der ikke kan findes nogen forbedring ved at gen-danne beskyttelsessystemet, skal det lokale Makita-servicecenter kontaktes.

BEMÆRKNING: Hvis maskinen stopper på grund af en årsag, der ikke er beskrevet ovenfor, henvises der til afsnittet om fejlfinding.

Afbryderbetjening

⚠ ADVARSEL: Af hensyn til din sikkerhed er maskinen forsynet med lås fra-knap, der forhindrer, at maskinen starter ved et uheld. Brug aldrig maskinen, hvis den starter, når du trykker på afbryderknappen uden at trykke på lås fra-knappen. Kontakt det lokale Makita servicecenter for reparation.

⚠ ADVARSEL: Du må aldrig deaktivere låsefunktionen eller holde lås fra-knappen nede med tape.

⚠ FORSIGTIG: Inden akkuen sættes i maskinen, bør De altid kontrollere, at afbryderknappen fungerer korrekt, og returnerer til "OFF"-positionen, når den slippes.

BEMÆRKNING: Undlad at trykke på afbryderknappen med magt uden at trykke på lås fra-knappen. Kontakten kan gå i stykker.

► **Fig.5:** 1. Lås fra-knap 2. Afbryderknap

For at forhindre, at afbryderknappen trykkes ned ved et uheld, er maskinen udstyret med en lås fra-knap. For at starte maskinen skal du trykke på aflåseknappen og trække i aflåseknappen. Slip afbryderknappen for at stoppe.

Kontrol af kædebremsen

⚠ FORSIGTIG: Hold kædesaven med begge hænder, når du starter den. Hold det bageste håndtag med højre hånd og det forreste håndtag med venstre hånd. Sværdet og kæden må ikke være i berøring med nogen genstand.

⚠ FORSIGTIG: Hvis savkæden ikke stopper umiddelbart, når denne test udføres, må saven ikke under nogen omstændigheder anvendes. Kontakt vores autoriserede servicecenter.

1. Tryk på lås fra-knappen, og tryk derefter på afbryderknappen. Savkæden starter med det samme.

2. Skub frontkappen fremad med håndryggen. Kontroller, at savkæden stopper umiddelbart.

► **Fig.6:** 1. Frontkappe 2. Ulåst position 3. Låst position

Kontrol af stopbremsen

⚠ FORSIGTIG: Hvis savkæden ikke stopper inden for ét sekund, når denne test udføres, skal du holde op med at bruge kædesaven og kontakte vores autoriserede servicecenter.

Lad kædesaven køre, og slip derefter afbryderknappen helt. Savkæden skal være helt stoppet inden for et sekund.

SAMLING

⚠ FORSIGTIG: Sørg altid for at maskinen er slukket, og at akkuen er taget ud, før der udføres noget arbejde på maskinen.

⚠ FORSIGTIG: Undlad at berøre savkæden med bare hænder. Bær altid beskyttelseshandsker, når du håndterer savkæden.

Montering eller afmontering af savkæden

⚠ FORSIGTIG: Savkæden og sværdet er stadig varme lige efter brugen. Lad dem køle tilstrækkeligt af, inden der udføres noget arbejde på maskinen.

⚠ FORSIGTIG: Udfør proceduren med at montere eller fjerne savkæden på et rent sted uden savsmuld og lignende.

Montering af savkæden

For at montere savkæden skal du udføre følgende trin:

1. Frigør kædebremsen ved at trække i frontkappen.
2. Tryk armen op, mens der trykkes på kanten af den.

► **Fig.7:** 1. Arm

3. Drej armen mod uret, indtil kædehjulsdækslet går af.

► **Fig.8:** 1. Arm 2. Kædehjulsdæksel

4. Afmonter kædehjulsdækslet.
5. Kontroller savkædens retning. Tilpas savkædens retning med retningen på mærket på kædesavens karosseri.

► **Fig.9:** 1. Mærke på kædesavens krop

6. Sæt den ene ende af savkæden på toppen af sværdet.

7. Monter den anden ende af savkæden rundt om kædehjulet, og fastgør derefter sværdet til kædesavens krop.

► **Fig.10:** 1. Kædehjul

8. Drej justeringsdrejeknappen i retningen "-" for at flytte justeringsspinden i pilens retning.

► **Fig.11:** 1. Justeringsdrejeknap 2. Justeringsspind

9. Anbring kædehjulsdækslet på kædesaven, således at justeringsspinden er placeret i det lille hul på sværdet.

► **Fig.12:** 1. Kædehjulsdæksel 2. Sværd 3. Hul

10. Drej armen helt med uret, og drej armen lidt tilbage for at holde den løs, når kædespændingen skal justeres.

11. Juster kædespændingen. Se afsnittet om justering af savkædens spænding for at få oplysninger om proceduren.

12. Drej armen med uret, indtil kædehjulsdækslet sidder fast, og returner den derefter til den oprindelige position.

► **Fig.13:** 1. Arm 2. Kædehjulsdæksel

Afmontering af savkæden

For at fjerne savkæden skal du udføre følgende trin:

1. Frigør kædebremsen ved at trække i frontkappen.
2. Drej justeringsdrejknappen i retningen "-" for at udløse savkædens spænding.
► **Fig.14:** 1. Justeringsdrejknep
3. Tryk armen op, mens der trykkes på kanten af den.
► **Fig.15:** 1. Arm
4. Drej armen mod uret, indtil kædehjulsdækslet går af.
► **Fig.16:** 1. Arm 2. Kædehjulsdækslet
5. Fjern kædehjulsdækslet, og fjern derefter savkæden og sværdet fra kædesavens karosseri.

Justering af savkædens spænding

⚠FORSIGTIG: Udfør proceduren med at montere eller fjerne savkæden på et rent sted uden savsmuld og lignende.

⚠FORSIGTIG: Stram ikke savkæden for meget. Ekstrem høj spænding af savkæden kan forårsage brud på savkæden, slitage af sværdet og brud på justeringsdrejknappen.

⚠FORSIGTIG: En kæde, der er for løs, kan hoppe af sværdet, og den kan forårsage en ulykke med tilskadekomst.

Savkæden kan blive løs efter mange timers brug. Kontroller fra tid til anden savkædens spænding inden brug.

1. Tryk armen op, mens der trykkes på kanten af den.
► **Fig.17:** 1. Arm
2. Drej armen lidt mod uret for at løsne kædehjulsdækslet en smule.
► **Fig.18:** 1. Arm 2. Kædehjulsdækslet
3. Løft spidsen på sværdet en smule op, og juster kædens spænding. Drej justeringsdrejknappen i retningen "-" for at løsne, og drej den i retningen "+" for at stramme. Stram savkæden, indtil den nederste side af savkæden passer ind i sværdkanten som vist.
► **Fig.19:** 1. Justeringsdrejknep 2. Sværd 3. Savkæde
4. Hold fortsat sværdet let, og stram kædehjulsdækslet. Sørg for, at savkæden ikke sidder løs på den nederste side.
5. Sæt armen tilbage i den oprindelige position. Sørg for, at savkæden sidder tæt mod sværdets nederste side.

ANVENDELSE

Smøring

⚠FORSIGTIG: Undlad at anvende kædesaven, når tanken er tom. Påfyld olien i god tid, før tanken er tom.

⚠FORSIGTIG: Undgå, at olien kommer i kontakt med huden og øjne. Kontakt med øjnene forårsager irritation. I tilfælde af kontakt med øjnene skal det berørte øje straks skylles med rent vand og derefter straks søge læge.

⚠FORSIGTIG: Undlad at bruge spildolie. Spildolie indeholder kræftfremkaldende stoffer. De forurenende stoffer i spildolie forårsager øget slid på oliepumpen, sværdet og kæden. Spildolie er skadeligt for miljøet.

BEMÆRKNING: Når kædesaven anvendes for første gang, kan det tage op til to minutter for savkædeolien at begynde sin smørende virkning på savmekanismen. Kør saven uden belastning, indtil den gør det.

BEMÆRKNING: Når der påfyldes kædeolie for første gang, eller tanken fyldes op igen, efter at den er blevet helt tom, skal der påfyldes olie op til bundkanten af påfyldningsstudsden. Ellers kan olieforsyningen blive hindret.

BEMÆRKNING: Brug en savkædeolie, der udelukkende er beregnet til Makita-kædesave, eller tilsvarende olie, som fås i handelen.

BEMÆRKNING: Anvend aldrig olie, som indeholder snavs og partikler, eller flygtig olie.

BEMÆRKNING: Ved beskæring af træer skal der anvendes planteolie. Mineralisk olie kan skade træerne.

BEMÆRKNING: Kontroller inden skæringen, at det medfølgende olietankdæksel er skruet på plads.

Savkæden smøres automatisk, når maskinen er i brug. Kontroller regelmæssigt mængden af tilbageværende olie i olietanken gennem olieskueglasset.

► **Fig.20:** 1. Olietankdæksel 2. Olieskueglas

Udfør følgende trin for at påfylde olien:

1. Rengør området omkring olietankdækslet grundigt for at forhindre snavs i at trænge ind i olietanken.
2. Læg kædesaven på siden, og fjern olietankdækslet.
3. Fyld olietanken med olien. Den korrekte mængde olie er 150 ml.
4. Skru olietankdækslet godt tilbage på plads igen.
5. Aftør eventuelt spildt kædeolie omhyggeligt.

BEMÆRK: Hvis det er vanskeligt at afmontere olietankdækslet, skal du indsætte kærviskruetrækkeren i åbningen på olietankdækslet og derefter afmontere olietankdækslet ved at dreje det mod uret.

► **Fig.21:** 1. Åbning 2. Kærviskruetrækker

Hold kædesaven væk fra træet efter påfyldningen. Start den, og vent, indtil der er tilstrækkeligt smøremiddel på savkæden.

► **Fig.22**

Arbejde med kædesaven

⚠️FORSIGTIG: Førstegangsbrugeren bør som minimum øve sig på at skære bjælker på en savbuk eller et stativ.

⚠️FORSIGTIG: Ved savning af forhåndsskåret tømmer, skal der anvendes en sikker støtte (savgbuk eller stativ). Støt ikke arbejdsstykket med foden, og lad ikke andre holde eller støtte det.

⚠️FORSIGTIG: Beskyt runde stykker mod rotation.

⚠️FORSIGTIG: Hold alle kropsdelen væk fra savkæden, når motoren er i gang.

⚠️FORSIGTIG: Hold fast på kædesaven med begge hænder, når motoren kører.

⚠️FORSIGTIG: Stræk dig ikke for langt. Sørg hele tiden for sikkert fodfæste og balance.

BEMÆRKNING: Du må aldrig kaste eller tabe maskinen.

BEMÆRKNING: Undlad at tildække maskinens ventilationsåbninger.

Bring den nederste kant af kædesavens karosseri i kontakt med den gren, der skal skæres, inden du tænder for saven. Ellers kan sværdet rukke med tilskadekomst af operatøren som resultat. Sav det træ, der skal skæres, ved blot at flytte den ned ved at benytte kædesavens vægt.

► Fig.23

Hvis man ikke kan skære igennem tømmeret i et enkelt strøg: Udøv et let tryk på håndtaget, og fortsæt med at save, og træk kædesaven en smule tilbage. Sænk derefter barkstøtten en smule, og færdiggør snittet ved at løfte håndtaget.

► Fig.24

Skæring i træstammer

1. Hvil den nederste kant af kædesavens karosseri mod det træ, der skal skæres.

► Fig.25

2. Lad savkæden køre, og sav ned i træet, idet du benytter det bageste håndtag til at løfte saven og det forreste til at styre den. Brug barkstøtten som omdrejningspunkt.

3. Fortsæt snittet ved at udøve et let tryk på det forreste håndtag og trække saven let tilbage. Flyt barkstøtten længere ned ad tømmeret, og løft det forreste håndtag igen.

BEMÆRKNING: Sluk for kædesaven mellem snittene, hvis du laver flere snit.

⚠️FORSIGTIG: Hvis den øverste kant af sværdet bruges til at skære, kan kædesaven blive slynget mod dig selv, hvis kæden kommer i klemme. Skær derfor med den nederste kant, så saven i givet fald slynges væk fra dig.

► Fig.26

Når du skærer i træ, der ligger i spænd, skal der først skæres på tryksiden (A). Foretag derefter det sidste snit fra spændsiden (B). Dette forhindrer, at sværdet kommer i klemme.

► Fig.27

Afgrening

⚠️FORSIGTIG: Afgrening må kun udføres af trænedede personer. Risikoen for tilbageslag udgør en fare.

Ved afgrening skal kædesaven så vidt muligt understøttes på stammen. Skær ikke med spidsen af sværdet, da dette medfører risiko for tilbageslag.

Vær især opmærksom på grene, der ligger i spænd. Skær ikke grene, der ikke er understøttet, nedefra. Stå ikke på det fældede træ, mens du afgrener.

Indsnit og skæring på langs af træårerne

⚠️FORSIGTIG: Indsnit og skæring på langs af træårerne må kun udføres af personer med specialtræning. Muligheden for tilbageslag medfører risiko for tilskadekomst.

Udfør skæring på langs af træårerne i en så lille vinkel som muligt. Vær ekstra forsigtig, når snittet udføres, da barkstøtten ikke kan anvendes.

► Fig.28

Fældning

⚠️FORSIGTIG: Fældningsarbejde må kun udføres af uddannede personer. Dette arbejde er farligt.

Vær opmærksom på den lokale lovgivning, hvis du vil fælde et træ.

► Fig.29: 1. Fældningsområde

- Før du påbegynder fældningsarbejde, skal du sikre dig, at:
 - Kun personer, der har med fældningsarbejdet at gøre, er i nærheden,
 - Alle involverede personer har en uhindret flugtvej i et område på ca. 45° på hver side af fældningsaksen. Vær desuden opmærksom på risikoen for at snuble over elektriske ledninger.
 - Foden af træstubben er fri for fremmedlegemer, rødder og grene.
 - Der ikke er nogen personer eller genstande i en afstand på 2 1/2 gange træets længde i den retning, træet vil falde i.
- Vær opmærksom på følgende for hvert træ:
 - Den retning, det hælder i,
 - Løse eller tørre grene,
 - Træets højde,
 - Naturlige fremspring,
 - Om træet er råddent.
- Vær opmærksom på vindstyrken og -retningen. Undlad at udføre fældningsarbejde, hvis der er kraftige vindstød.
- Beskæring af rodfremspring: Begynd med de største fremspring. Udfør det lodrette snit først og derefter det vandrette snit.
- Stå til siden af det faldende træ. Hold et område bag det faldende træ ryddet på op til 45° til hver side af træets akse (se illustrationen "fældningsområde"). Vær opmærksom på faldende grene.

- En flugtvej bør forberedes og ryddes efter behov, inden snittene påbegyndes. Flugtvejen bør strække sig bagud og diagonalt til bagsiden af den forventede faldlinje som vist på illustrationen.

► **Fig.30:** 1. Fældningsretning 2. Farezone 3. Flugtvej

Følg nedenstående procedurer, når du fældner træer:

1. Skær et vinkelsnit så tæt på jorden som muligt. Skær først det vandrette snit til en dybde af 1/5 - 1/3 af stammens diameter. Lav ikke vinkelsnittet for stort. Skær derefter det skrå snit.

► **Fig.31**

BEMÆRK: Vinkelsnittet bestemmer, hvilken retning træet falder i, og fører det. Det foretages på den side, som træet skal falde til.

2. Skær bagsnittet lidt højere end grundsnittet i vinkelsnittet. Bagsnittet skal være helt vandret. Lad cirka 1/10 af stammens diameter mellem bagsnittet og vinkelsnittet være. Træfibrene i den uskårne del af stammen fungerer som et hængsel. Sæt kiler ind i bagsnittet i tide.

► **Fig.32**

⚠ ADVARSEL: Du må under ingen omstændigheder gennemskære fibrene. Ellers vil træet falde ukontrolleret.

BEMÆRKNING: Der må kun anvendes plastic- og aluminiumskiler til at holde bagsnittet åbent. Brug af jernkiler er forbudt.

Bæring af maskinen

Før du bærer maskinen, skal du altid aktivere kædebremsen og afmontere akkuen fra maskinen. Monter derefter sværdbeskytteren. Dæk ligeledes akkuen med batteridækslet.

► **Fig.33:** 1. Sværdbeskytter 2. Batteridæksel

VEDLIGEHOOLDELSE

⚠ FORSIGTIG: Vær altid sikker på, at værktøjet er slukket, og at akkuen er taget ud, inden De begynder at udføre inspektion eller vedligeholdelse.

⚠ FORSIGTIG: Bær altid beskyttelseshandsker, når der udføres eftersyn eller vedligeholdelse.

BEMÆRKNING: Anvend aldrig benzin, rensebenzin, fortynder, alkohol og lignende. Det kan medføre misfarvning, deformering eller revner.

For at opretholde produktets SIKKERHED og PÅLIDELIGHED må reparation, vedligeholdelse eller justering kun udføres af et autoriseret Makita servicecenter eller fabriksservicecenter med anvendelse af Makita reservedele.

Slibning af savkæden

Slib savkæden, når:

- Der frembringes meget savsmuld, når der skæres i fugtigt træ,
- Kæden kun gennemskærer træet med besvær, selv hvis der anvendes et kraftigt tryk,
- Skærekanten er tydeligt beskadiget,
- Saven trækker til venstre eller højre i træet. (forårsaget af uensartet slibning af savkæden eller beskadigelse af kun den ene side)

Slib savkæden hyppigt, men kun en smule ad gangen. To eller tre strøg med en fil er sædvanligvis tilstrækkeligt til at udføre en almindelig slibning. Når savkæden er blevet slebet adskillige gange, skal den slibes på vores autoriserede servicecenter.

Slibningskriterier:

⚠ ADVARSEL: For stor afstand mellem skærekant og dybdemåleren forøger risikoen for tilbageslag.

► **Fig.34:** 1. Skærerlængde 2. Afstand mellem skærekant og dybdemåler 3. Mindste skærerlængde (3 mm)

- Alle skærerlængder skal være ens. Forskellige skærerlængder vil forhindre savkæden i at køre ubesværet og kan forårsage, at savkæden brækker.
- Slib ikke kæden, når der er nået en skærerlængde på 3 mm eller derunder. Kæden skal udskiftes med en ny.
- Savpånstykkelser bestemmes af afstanden mellem dybdemåleren (rund næse) og skærekanten.
- De bedste skærerresultater opnås med følgende afstand mellem skærekanten og dybdemåleren.
 - Kædeblad 90PX: 0,65 mm

► **Fig.35**

- Slibningsvinklen på 30° skal være den samme på alle skærere. Forskellige skærevinkler medfører, at kæden kører ujævnt og uensartet, fremskynder slitage og medfører, at kæden brækker.
- Brug en passende rund fil, så den korrekte slibningsvinkel holdes mod tænderne.
 - Kædeblad 90PX: 55°

Fil og korrekt anvendelse af fil

- Anvend en speciel rund fil (ekstraudstyr) til savkæder til at skærpe kæden. Almindelige runde filer er ikke egnede.
- Diameter på den runde fil for hver savkæde er som følger:
 - Kædeblad 90PX: 4,5 mm
- Filen bør kun være i kontakt med skæreren ved fremadstrøget. Hæv filen fra skæreren ved returstrøget.
- Slib den korteste skærer først. Længden af denne korteste skærer bliver standard for alle skærende led på savkæden.
- Før filen som vist på illustrationen.

► **Fig.36:** 1. Fil 2. Savkæde

- Det er nemmere at føre filen, hvis der anvendes en filholder (ekstraudstyr). Filholderen har afmærkninger til den korrekte slibningsvinkel på 30° (sæt afmærkningerne parallelt med savkæden) og begrænser dybden af gennemskæringen (til 4/5 af fildiameteren).

► **Fig.37:** 1. Filholder

- Kontroller, når kæden er skærpet, højden af dybdemåleren ved hjælp af kædemålerværktøjet (ekstraudstyr).

► **Fig.38**

- Fjern alt fremspringende materiale, hvor småt det end måtte være, ved hjælp af en speciel flad fil (ekstraudstyr).
- Afrund forsiden af dybdemåleren igen.

Rengøring af sværdet

Spåner og savsmuld samler sig i sværdrillen. De kan tilstoppe sværdrillen og hindre oliestrømningen. Fjern altid spåner og savsmuld, hver gang du sliber eller udskifter savkæden.

► **Fig.39**

Rengøring af kædehjulsdækslet

Spåner og savsmuld samler sig inde i kædehjulsdækslet. Fjern kædehjulsdækslet og savkæden fra maskinen, og fjern derefter spåner og savsmuld.

► **Fig.40**

Rengøring af olieudløbshullet

Små støv- og andre partikler kan samle sig i olieudløbshullet under arbejdet. Dette støv og andre partikler kan forringe oliestrømmen og medføre en utilstrækkelig smøring af hele savkæden. Rengør olieudløbshullet som vist herunder, hvis oliestrømmen er for svag ved toppen af sværdet.

1. Fjern kædehjulsdækslet og savkæden fra maskinen.

2. Fjern mindre støvdannelse eller partikler ved hjælp af en kærsvkruetrækker eller lignende.

► **Fig.41:** 1. Kærsvkruetrækker 2. Olieudløbshul

3. Sæt akkuen i maskinen. Tryk på afbryderknappen for at fjerne akkumulerede støv- og andre partikler fra olieudløbshullet ved at lade kædeolie flyde ud.

4. Tag akkuen ud af maskinen. Monter kædehjulsdækslet og savkæden på maskinen igen.

Udskiftning af kædehjulet

⚠FORSIGTIG: Et udtjent kædehjul vil beskadige en ny savkæde. I så fald skal kædehjulet skiftes ud med et nyt.

Kontroller kædehjulets tilstand, inden en ny savkæde monteres.

► **Fig.42:** 1. Kædehjul 2. Områder, der slides

Sæt altid en ny låsering på, når kædehjulet skiftes ud.

► **Fig.43:** 1. Låsering 2. Kædehjul

BEMÆRKNING: Kontroller, at kædehjulet er installeret som vist på figuren.

Opbevaring af maskinen

1. Rengør maskinen, inden den lægges til opbevaring. Fjern alle spåner og savsmuld fra maskinen, efter at kædehjulsdækslet er taget af.

2. Når maskinen er rengjort, skal den køres uden belastning for at smøre savkæden og sværdet.

3. Dæk sværdet med sværdbeskytteren.

4. Tøm olietanken.

Vejledning i periodisk vedligeholdelse

For at sikre en lang levetid, undgå skader og sikre, at sikkerhedsanordningerne fungerer fuldt ud, skal følgende vedligeholdelse udføres regelmæssigt. Garantikrav godtages kun, hvis dette arbejde er blevet udført regelmæssigt og korrekt. Såfremt den foreskrevne vedligeholdelse ikke udføres, kan det medføre ulykker! Brugeren af kædesaven bør ikke udføre vedligeholdelsesarbejde, der ikke er beskrevet i denne brugsvejledning. Alt sådant arbejde bør udelukkende udføres af vores autoriserede servicecenter.

Kontrolpunkt / Driftstid		Før brug	Hver dag	Hver uge	Hver 3. måned	Årligt	Før opbevaring
Kædesav	Inspektion.	✓	-	-	-	-	-
	Rengøring.	-	✓	-	-	-	-
	Kontrolleres på autoriseret servicecenter.	-	-	-	-	✓	✓
Savkæde	Inspektion.	✓	-	-	-	-	-
	Skærpes om nødvendigt.	-	-	-	-	-	✓
Sværd	Inspektion.	✓	✓	-	-	-	-
	Fjern fra kædesaven.	-	-	-	-	-	✓
Kædebremse	Kontroller, at den virker.	✓	-	-	-	-	-
	Få den regelmæssigt kontrolleret på autoriseret servicecenter.	-	-	-	✓	-	-
Smøring af kæden	Kontroller olietilførslen.	✓	-	-	-	-	-
Afbryderknap	Inspektion.	✓	-	-	-	-	-
Lås fra-knap	Inspektion.	✓	-	-	-	-	-
Olietankdæksel	Kontroller spændingen.	✓	-	-	-	-	-
Kædefanger	Inspektion.	-	-	✓	-	-	-
Skruer og møtrikker	Inspektion.	-	-	✓	-	-	-

FEJLFINDING

Udfør selv en inspektion, inden De anmoder om reparation. Hvis De opdager et problem, som ikke er forklaret i brugsanvisningen, må De ikke forsøge at adskille maskinen. Rådfør Dem i stedet med et autoriseret Makita Servicecenter, og brug altid originale Makita udskiftningsdele til reparationer.

Føjl	Årsag	Løsning
Kædesaven starter ikke.	Akkuen er ikke indsat.	Indsæt en opladet akku.
	Akku-problem (lav spænding).	Genoplad akkuen. Hvis genopladningen ikke løser problemet, skal du udskifte akkuen.
Savkæden kører ikke.	Kædebremsen er aktiveret.	Frigør kædebremsen.
Motoren holder op med at køre efter kort tids brug.	Akkuens opladningsniveau er lavt.	Genoplad akkuen. Hvis genopladningen ikke løser problemet, skal du udskifte akkuen.
Ingen olie på kæden.	Olietanken er tom.	Fyld olietanken.
	Olieføringssporet er snævset.	Rengør sporet.
Kædesaven når ikke op på maks. omdrejningshastighed.	Akkuen er sat forkert i.	Monter akkuen som beskrevet i denne brugervejledning.
	Batteriladningen er faldende.	Genoplad akkuen. Udskift akkuen, hvis genopladning ikke løser problemet.
	Drivsystemet fungerer ikke korrekt.	Bed vores autoriserede servicecenter i dit område om reparation.
Kæden stopper ikke, selvom kædebremsen aktiveres: Stop maskinen med det samme!	Bremsebåndet er nedslidt.	Bed vores autoriserede servicecenter i dit område om reparation.
Unormal vibration: Stop maskinen med det samme!	Løst sværd eller savkæde.	Juster sværdets og savkædens spænding.
	Funktionsfejl på maskinen.	Bed vores autoriserede servicecenter i dit område om reparation.
Savkæden kan ikke installeres.	Kombinationen af savkæde og kædehjul er ikke korrekt.	Brug den rigtige kombination af savkæde og kædehjul ved at se afsnittet for specifikationer.

EKSTRAUDSTYR

⚠ FORSIGTIG: Det følgende tilbehør og ekstraudstyr er anbefalet til brug med Deres Makita maskine, der er beskrevet i denne brugsanvisning. Anvendelse af andet tilbehør eller ekstraudstyr kan udgøre en risiko for personskade. Anvend kun tilbehør og ekstraudstyr til det beskrevne formål.

Hvis De behøver hjælp ved valg af tilbehør eller ønsker yderligere informationer, bedes De kontakte Deres lokale Makita servicecenter.

- Savkæde
- Sværd
- Sværdbeskytter
- Fil
- Værktøjspose
- Original Makita akku og oplader

⚠ ADVARSEL: Hvis du køber et sværd af en anden længde end standardsværdet, skal du også købe en tilsvarende sværdbeskytter. Den skal passe til og helt dække sværdet på kædesaven.

BEMÆRK: Nogle ting på denne liste kan være inkluderet i værktøjspakken som standardtilbehør. Det kan være forskellige fra land til land.

SPECIFIKĀCIJAS

Modelis:		DUC307	DUC357	DUC407
Kopējais garums (bez vadotnes)		428 mm		
Nominālais spriegums		Līdzstrāva 18 V		
Neto svars	*1	2,9 kg		
	*2	4,2–4,3 kg		
Standarta virzošās sliedes garums		300 mm	350 mm	400 mm
Ieteicamais virzošās sliedes garums		300–400 mm		
Attiecīgais zāga ķēdes veids (skatiet tālāk redzamo tabulu)		90PX		
Ķēdesrats	Zobu skaits	6		
	Solis	3/8 collas		
Ķēdes ātrums		0–7,7 m/s (0–460 m/min)		
Ķēdes eļļas tvertnes tilpums		150 cm ³		

- Nepārtrauktās izpētes un izstrādes programmas dēļ šeit uzrādītās specifikācijas var tikt mainītas bez brīdinājuma.
- Atkarībā no valsts specifikācijas var atšķirties.
- *1: Svārs bez zāga ķēdes, vadotnes, vadotnes vāka, eļļas un akumulatora(-u) kasetnes(-ēm).
- *2: Vieglāka un smagāka svāra kombinācija saskaņā ar EPTA procedūru 01/2014. Svārs var atšķirties atkarībā no papildierces(-ēm), tostarp akumulatora(-u) kasetnes(-ēm).

Zāga ķēdes, vadsliedes un ķēdesrata kombinācija

Zāga ķēdes veids		90PX		
Dzinējposmu skaits		46	52	56
Virzošā sliede	Virzošās sliedes garums	300 mm	350 mm	400 mm
	Zāgējuma garums	275 mm	330 mm	370 mm
	Solis	3/8 collas		
	Mērskala	1,1 mm		
	Veids	Griezējšķautnes lietnis ar ķēdesratu		
Ķēdesrats	Zobu skaits	6		
	Solis	3/8 collas		

⚠ BRĪDINĀJUMS: Izmantojiet pareizo virzošās sliedes un ķēdes zāga kombināciju. Citādi var rasties traumas.

Piemērotā akumulatora kasetne un lādētājs

Akumulatora kasetne	BL1830B / BL1840B / BL1850B / BL1860B
Lādētājs	DC18RC / DC18RD / DC18RE / DC18SD / DC18SE / DC18SF / DC18SH

- Daži no iepriekš norādītajiem lādētājiem un akumulatora kasetnēm var nebūt pieejami atkarībā no jūsu mītnes reģiona.

⚠ BRĪDINĀJUMS: Izmantojiet vienīgi iepriekš norādītās akumulatora kasetnes un lādētājus. Cita tipa akumulatora kasetņu un lādētāju izmantošana var radīt traumu un/vai aizdegšanās risku.













Ieteicamais ar vadu savienojamais barošanas avots

Pārnēsājams barošanas bloks	PDC01
-----------------------------	-------

- Iepriekš norādītais(-ie) ar vadu savienojamais(-ie) barošanas avots(-i) var nebūt pieejams(-i) atkarībā no jūsu mītnes reģiona.
- Pirms izmantojat ar vadu savienojamo barošanas avotu, izlasiet instrukcijas un uz tā redzamos brīdinājumus.

Simboli

Tālāk ir attēloti simboli, kas var attiekties uz darbarīka lietošanu. Pirms darbarīka izmantošanas pārliecinieties, vai pareizi izprotat to nozīmi.

	Izlasiet lietošanas rokasgrāmatu.
	Izmantojiet aizsargbrilles.
	Lietojiet ausu aizsargus.
	Maksimālais pieļaujamais zāģējuma garums
	Strādājot ar ķēdes zāģi, vienmēr turiet to ar abām rokām.
	Uzmanieties no ķēdes zāģa atsietiena un izvairieties no saskares ar vadslīdes galu.
	Nepakļaujiet mitruma iedarbībai.
	Ķēdes ceļa virziens
	Zāģa ķēdes eļļas noregulēšana
	Tikai ES valstīm Tā kā šajā aprīkojumā ir bīstamas sastāvdaļas, elektrisko un elektronisko iekārtu, akumulatoru un bateriju atkritumi var negatīvi ietekmēt apkārtējo vidi un cilvēka veselību. Elektroierīces, elektroniskās ierīces un akumulatorus nedrīkst izmest kopā ar mājtsaimes atkritumiem! Saskaņā ar Eiropas direktīvu par elektrisko un elektronisko iekārtu atkritumiem, akumulatoriem un baterijām, kā arī akumulatoru un bateriju atkritumiem un šīs direktīvas pielāgošanu valsts tiesību aktiem elektrisko un elektronisko iekārtu, bateriju un akumulatoru atkritumi ir jāglabā atsevišķi un jānogādā uz sadzīves atkritumu dalītās savākšanas vietu, ievērojot attiecīgos vides aizsardzības noteikumus. Par to liecina uz iekārtas redzams simbols ar pārsvītrotu atkritumu konteineru uz rīteniem.
	Garantētais skaņas jaudas līmenis saskaņā ar ES Direktīvu par troksni ārpus telpām.
	Skaņas jaudas līmenis saskaņā ar Austrālijas NSW trokšņu kontroles noteikumiem

Paredzētā lietošana

Šis motorzāģis ir paredzēts koku, koksnes, kokmateriālu zāģēšanai.

Trokšņa līmenis

Tipiskais A svērtais trokšņa līmenis noteikts saskaņā ar EN62841-4-1:

Modelis DUC307

Skaņas spiediena līmeni (L_{pA}): 86 dB (A)

Skaņas jaudas līmeni (L_{WA}): 97 dB (A)

Mainīgums (K): 3 dB (A)

Modelis DUC357

Skaņas spiediena līmeni (L_{pA}): 86 dB (A)

Skaņas jaudas līmeni (L_{WA}): 97 dB (A)

Mainīgums (K): 3 dB (A)

Modelis DUC407

Skaņas spiediena līmeni (L_{pA}): 86 dB (A)

Skaņas jaudas līmeni (L_{WA}): 97 dB (A)

Mainīgums (K): 3 dB (A)

PIEZĪME: Paziņotā trokšņa emisijas vērtība noteikta atbilstoši standarta pārbaudes metodei, un to var izmantot, lai salīdzinātu vienu darbarīku ar citu.

PIEZĪME: Paziņoto trokšņa emisijas vērtību arī var izmantot iedarbības sākotnējā novērtējumā.

⚠️BRĪDINĀJUMS: Lietojiet ausu aizsargus.

⚠️BRĪDINĀJUMS: Trokšņa emisija patiesos darba apstākļos var atšķirties no paziņotās vērtības atkarībā no darbarīka izmantošanas veida un jo īpaši atkarībā no apstrādājamā materiāla veida.

⚠️BRĪDINĀJUMS: Lai aizsargātu lietotāju, nosakiet drošības pasākumus, kas pamatoti ar iedarbību reālos darba apstākļos (ņemot vērā visus ekspluatācijas cikla posmus, piemēram, laiku, kamēr darbarīks ir izslēgts un kad darbojas tukšgaitā, kā arī palaišanas laiku).

Vibrācija

Vibrācijas kopējā vērtība (trīsasu vektora summa) noteikta atbilstoši EN62841-4-1:

Modelis DUC307

Darba režīms: koksnes zāģēšana

Vibrācijas izmete ($a_{h,w}$): 5,4 m/s²

Mainīgums (K): 1,5 m/s²

Modelis DUC357

Darba režīms: koksnes zāģēšana

Vibrācijas izmete ($a_{h,w}$): 5,4 m/s²

Mainīgums (K): 1,5 m/s²

Modelis DUC407

Darba režīms: koksnes zāģēšana

Vibrācijas izmete ($a_{h,w}$): 5,4 m/s²

Mainīgums (K): 1,5 m/s²

PIEZĪME: Paziņotā kopējā vibrācijas vērtība noteikta atbilstoši standarta pārbaudes metodei, un to var izmantot, lai salīdzinātu vienu darbarīku ar citu.

PIEZĪME: Paziņoto kopējo vibrācijas vērtību arī var izmantot iedarbības sākotnējā novērtējumā.

▲BRĪDINĀJUMS: Vibrācijas emisija patiesos darba apstākļos var atšķirties no paziņotās vērtības atkarībā no darbarīka izmantošanas veida un jo īpaši atkarībā no apstrādājamā materiāla veida.

▲BRĪDINĀJUMS: Lai aizsargātu lietotāju, nosakiet drošības pasākumus, kas pamatoti ar iedarbību reālos darba apstākļos (ņemot vērā visus ekspluatācijas cikla posmus, piemēram, laiku, kamēr darbarīks ir izslēgts un kad darbojas tukšgaitā, kā arī palaišanas laiku).

EK atbilstības deklarācija

Tikai Eiropas valstīm

EK atbilstības deklarācija šajā lietošanas rokasgrāmatā ir iekļauta kā A pielikums.

DROŠĪBAS BRĪDINĀJUMI

Vispārīgi elektrisko darbarīku drošības brīdinājumi

▲BRĪDINĀJUMS: Izlasiet visus drošības brīdinājumus, instrukcijas, apskatiet ilustrācijas un tehniskos datus, kas iekļauti mehānizētā darbarīka komplektācijā. Ja netiek ievēroti visi tālāk minētie noteikumi, var tikt izraisīta elektrotrauma, notikt aizdegšanās un/vai rasties smagas traumas.

Glabājiet visus brīdinājumus un norādījumus, lai varētu tajos ieskatīties turpmāk.

Termins „elektrisks darbarīks” brīdinājumus attiecas uz tādu elektrisko darbarīku, ko darbina ar elektrību (ar vadu), vai tādu, ko darbina ar akumulatoru (bez vada).

Vispārēji ķēdes zāģa drošības brīdinājumi

- Kad ķēdes zāģis darbojas, nevienu ķermeņa daļu netuviniet zāģa ķēdei. Pirms ķēdes zāģa iedarbināšanas pārliecinieties, vai zāģa ķēde nekam nepieskaras.** Neuzmanības mirklis ķēdes zāģa lietošanas laikā var izraisīt apģērba vai ķermeņa sakēšanos ar zāģa ķēdi.
- Ķēdes zāģi vienmēr turiet ar labo roku uz aizmugurējā roktura un kreiso roku uz priekšējā roktura.** Ķēdes zāģa turēšana rokās pretēji iepriekš minētajam palielina savainojuma risku, un tā nekad nedrīkst rīkoties.
- Turiet ķēdes zāģi tikai aiz roktura izolētajām virsmām, jo zāģa ķēde var skart apslēptus vadus.** Zāģa ķēdei skarot vadu, kurā plūst strāva, ķēdes zāģa atsegtās metāla daļas var sākt vadīt strāvu, un operators var saņemt strāvas triecienu.
- Lietojiet acu aizsarglīdzekļus. Ieteicams lietot arī ausu, galvas, roku, kāju un pēdu papildu aizsardzības līdzekļus.** Piemērots aizsargapriekojums samazinās risku gūt traumas no atlecošiem gruziem vai nejaušas saskares ar zāģa ķēdi.

- Neizmantojiet ķēdes zāģi, atrodoties kokā, uz trepēm, uz jumta vai uz jebkuras citas nestabilas virsmas.** Šādi lietojot ķēdes zāģi, var gūt smagas traumas.
- Vienmēr nodrošiniet labu atbalstu kājām un darbiniet ķēdes zāģi, tikai stāvot uz stabilas, drošas un līdzenas virsmas.** Stāvot uz slidenas vai nestabilas virsmas, var zaudēt līdzsvaru un kontroli pār ķēdes zāģi.
- Zāģējot lielus nospriegotus zarus, esiet modrs, lai izvairītos no atlecošiem zariem.** Kad koknes šķiedras nospriegojums ir zudis, nospriegotais zars var atsīties pret operatoru un/vai izsist ķēdes zāģi, padarot to nekontrolējamu.
- Īpaši uzmanieties, zāģējot zemus krūmājus un kociņus.** Tievie zari var sakerties ar ķēdes zāģi un triekties pret jums kā pātagas vai izraut jūs no līdzsvara.
- Pārnēsājiet ķēdes zāģi izslēgtu, turot priekšējo rokturi un atstātus no sevis. Transportējot vai glabājot ķēdes zāģi, vienmēr uzlieciet vadotnes vāku.** Pareiza rīkošanās ar ķēdes zāģi samazinās iespēju nejauši sakerties ar kustīgo zāģa ķēdi.
- Ievērojiet eļļošanas, ķēdes spriegošanas un slīdes un ķēdes maiņas norādījumus.** Nepareizi nospriegota vai ieeļļota ķēde var saplīst vai palielināt atsītienu iespēju.
- Zāģējiet tikai kokmateriālus. Neizmantojiet ķēdes zāģi neparedzētam nolūkam. Piemēram: neizmantojiet ķēdes zāģi metāla, plastmasas, mūra vai tādu celtniecības materiālu zāģēšanai, kas nav no koknes.** Ķēdes zāģa izmantošana neparedzētiem nolūkiem var radīt bīstamas situācijas.
- Nezāģējiet kokus, kamēr neesat izpratis visus riskus un to, kā no tiem izvairīties.** Koku zāģēšanas laikā operators un blakus esošas personas var gūt smagas traumas.
- Atsītienu iemesli un operatora iespējas to novērst.** Ja virzošās slīdes gals vai uzgalis pieskaras priekšmetam vai ja koks sakļaujas un iespiež zāģa ķēdi zāģējumā, var rasties atsītiens. Saskaņā ar uzgali dažos gadījumos, iespējams, var izraisīt pēkšņu pretreakciju, pasitot virzošo slīdi augšup un atpakaļ operatora virzienā. Zāģa ķēdes iespiešana virzošās slīdes augsmaļā var pēkšņi pastumt virzošo slīdi atpakaļ operatora virzienā. Abas minētās pretdarbības var izraisīt zāģa kontroles zudumu, kas savukārt var izraisīt nopietnus ievainojumus. Nepaļaujieties tikai uz aizsargierīcēm, kas iebūvētas zāģī. Lietojot ķēdes zāģi, jāveic vairākas darbības, lai zāģēšanas laikā izvairītos no negadījumiem un ievainojumiem. Atsītiens rodas ķēdes zāģa nepareizas lietošanas un/vai nepareizas darbības vai apstākļu rezultātā, un no tā var izvairīties, veicot piemērotus drošības pasākumus, kā norādīts tālāk.
 - Satvērienu jābūt ciešam un ar abām rokām: ar īkšķiem un pirkstiem apņēmot motorzāģa rokturus, ķermeni un roku novietojot tā, lai varētu pretoties atsītienu spēkam.** Ja piesargājas pareizi, operators var kontrolēt atsītienu spēku. Neatļaidiet motorzāģi.

► Att.1

- **Nesniedzieties pārāk tālu un nezāgējiet virs plecu līmeņa.** Tas ļauj novērst neparedzētu saskari ar uzgali un labāk kontrolēt ķēdes zāģi negaidītās situācijās.
 - **Maiņai izmantojiet tikai ražotāja norādītās vadotnes un zāģa ķēdes.** Maiņai izmantojot nepiemērotas vadotnes un zāģa ķēdes, ķēde var tikt pārrauta un/vai ir iespējami atsitieni.
 - **Ievērojiet ražotāja norādījumus par zāģa ķēdes asināšanu un apkopi.** Dzijummēra augstuma samazināšana var izraisīt pastiprinātu atsitieni.
14. **Tirot iestrēgušus kokmateriālus, kā arī glabājot vai apkopjot ķēdes zāģi, ievērojiet visas norādes.** Darbarīkam ir jābūt izslēgtam un akumulatora kasetnei — izņemtai. Negaidīta ķēdes zāģa iedarbošanās apkopes vai iestrēgušu materiālu tīrīšanas laikā var izraisīt nopietnas traumas.

Papildu drošības norādījumi

Individuālie aizsardzības līdzekļi

1. Izvēlieties pieguļošu apģērbu, taču tas nedrīkst ierobežot kustības.
2. Darba laikā lietojiet šādus aizsardzības līdzekļus:
 - Pārbaudītu aizsargķiveri, ja pastāv risks, ko rada kritoši zari u.c.;
 - Sejas masku vai aizsargbrilles;
 - Piemērotus ausu aizsargus (ausu aizsegus, standarta vai pielāgojamus ausu aizbāžņus). Pēc pieprasījuma iespējams veikt oktāvas augstuma analīzi.
 - Stingras ādas aizsargcimdus;
 - Garās bikses no izturīga auduma;
 - Aizsargājošu kombinezonu no auduma, kas noturīgs pret griezumiem;
 - Aizsargapavus vai apavus ar neslīdošu zoli, tērauda pirkstu aizsargu un oderi, kas noturīga pret griezumiem;
 - Gāzmasku, veicot darbu, kura laikā rodas putekļi (piemēram, sausas koksnes zāģēšana).

Ekspluatācija

1. **Pirms darba sākšanas pārbaudiet, vai ķēdes zāģis ir labā darba kārtībā un vai tā stāvoklis atbilst drošības noteikumiem. It sevišķi pārbaudiet, vai:**
 - ķēdes bremze darbojas pareizi;
 - jaudas pārtraukšanas bremze darbojas pareizi;
 - stieņa un ķēdesrata pārsegi ir uzlikti pareizi;
 - ķēde ir uzasināta un nospriegota saskaņā ar noteikumiem.
2. **Neiedarbiniet motorzāģi, kamēr tam ir uzstādīts ķēdes aizsargs.** Ja motorzāģi iedarbina, kamēr tam ir uzstādīts ķēdes aizsargs, iespējama ķēdes aizsarga aizmešana, kas var ievainot cilvēkus un sabojāt priekšmetus ap operatoru.

Elektrodrošība un akumulatora drošība

1. **Izvairieties no bīstamas vides. Darbarīku neizmantojiet mitrās vai slapjās vietās un lietū.** Ja darbarīkā iekļūst ūdens, palielināsies elektriskā trieciena rašanās risks.
2. **Neatbrīvojieties no akumulatora(-iem), to(-s) dedzinot.** Var rasties eksplozija. Skatiet attiecīgos valsts noteikumus, lai uzzinātu īpašus norādījumus izmešanai atkritumos.
3. **Akumulatoru(-s) nedrīkst atvērt vai sabojāt.** Iztecojušais elektrolīts ir kodīgs un var nodarīt kaitējumu acīm vai ādai. Norijot tas var būt toksisks.
4. **Nelādējiet akumulatoru lietū vai mitrās vietās.**
5. **Nelādējiet akumulatoru ārpus telpām.**
6. **Neaiztieciet lādētāju, kā arī lādētāja spraudni vai spaiļes ar slapjām rokām.**
7. **Nemainiet akumulatoru lietū.**
8. **Nemainiet akumulatoru ar mitrām rokām.**
9. **Neatstājiet akumulatoru lietū, kā arī nelādējiet, neizmantojiet un neglabājiet akumulatoru mitrā vai slapjā vietā.**
10. **Nesamitriniet akumulatora spaiļes ar šķidrumu, piemēram, ūdeni, un neiegremdējiet akumulatoru.** Ja spaiļes kļūst mitras vai akumulatorā iekļūst šķidrums, akumulatorā var rasties īsslēgums un pastāv pārkaršanas, aizdegšanās vai sprādziena risks.
11. **Pēc akumulatora izņemšanas no ierīces vai lādētāja raugieties, lai akumulatora vāks tiek piestiprināts pie akumulatora, un glabājiet to sausā vietā.**
12. **Ja akumulatora kasetnē iekļūst ūdens, noteiciniet ūdeni un izslaukiet kasetni ar sausu drānu. Pirms lietošanas ļaujiet akumulatora kasetnei pilnībā nožūt sausā vietā.**

SAGLABĀJIET ŠOS NORĀDĪJUMUS.

⚠ BRĪDINĀJUMS: NEPIEĻAUJIET to, ka labu iemaņu vai izstrādājuma labas pārzināšanas (darbarīku atkārtoti ekspluatējot) rezultātā vairs stingri neievērojat šīs izstrādājuma drošības noteikumus. NEPAREIZI LIETOJOT darbarīku vai neievērojot šajā instrukciju rokasgrāmatā minētos drošības noteikumus, var tikt gūtas smagas traumas.

Svarīgi drošības norādījumi par akumulatora kasetni

1. **Pirms akumulatora lietošanas izlasiet visus norādījumus un brīdinājumus, kuri attiecas uz (1) akumulatora lādētāju, (2) akumulatoru un (3) ierīci, kurā tiek izmantots akumulators.**
2. **Akumulatora kasetni nedrīkst ne pārveidot, ne izjaukt.** Citādi var tikt izraisīta aizdegšanās, pārmerīgs karstums vai sprādziens.
3. **Ja akumulatora darbības laiks kļūva ievērojami īsāks, nekavējoties pārtrauciet to izmantot. Citādi, tas var izraisīt pārkaršējumu, uzliesmojumu vai pat sprādzienu.**
4. **Ja elektrolīts nonāk acīs, izskalojiet tās ar tīru ūdeni un nekavējoties griezieties pie ārsta. Tas var izraisīt redzes zaudēšanu.**

5. Neradiet īssavienojumu akumulatora kasetnē:
 - (1) Nepieskarieties spailēm ar elektrību vadošiem materiāliem.
 - (2) Neuzglabājiet akumulatoru kasetni kopā ar citiem metāla priekšmetiem, tādiem kā naglas, monētas u. c.
 - (3) Nepakļaujiet akumulatora kasetni ūdens vai lietus iedarbībai.

Akumulatora īssavienojums var radīt spēcīgu strāvas plūsmu, pārkaršanu, uzliesmojumu un pat sabojāt akumulatoru.
6. Neglabājiet un neizmantojiet darbarīku un akumulatora kasetni vietās, kur temperatūra var sasniegt vai pārsniegt 50 °C (122 °F).
7. Nedeziniet akumulatora kasetni, pat ja tā ir stipri bojāta vai pilnībā nolietota. Akumulatora kasetne ugunī var eksplodēt.
8. Akumulatora kasetni nedrīkst naglot, griezt, saspīest, mest vai nomet, kā arī pa to nedrīkst sist ar cietu priekšmetu. Šādas darbības var izraisīt aizdegšanos, pārmērīgu karstumu vai sprādzienu.
9. Neizmantojiet bojātu akumulatoru.
10. Uz izmantotajiem litija jonu akumulatoriem attiecas likumdošanas prasības par bīstamiem izstrādājumiem.

Komerציālā transportēšanā, ko veic, piemēram, trešās puses, transporta uzņēmumi, jāievēro uz iesaiņojuma un marķējuma norādītās īpašās prasības.

Lai izstrādājumu sagatavotu nosūtīšanai, jāsazinās ar bīstamo materiālu speciālistu. Ievērojiet arī citus attiecināmos valsts normatīvus.

Valējus kontaktus nosedziet ar līmlenti vai citādi pārkļājiet, bet akumulatoru iesaiņojiet tā, lai sainī tas nevarētu izkustēties.

11. Lai utilizētu akumulatora kasetni, izņemiet to no darbarīka un likvidējiet drošā vietā. Ievērojiet vietējos noteikumus par akumulatora likvidēšanu.
12. Izmantojiet šos akumulatorus tikai ar izstrādājumiem, kurus norādījis Makita. Ievietojot šos akumulatorus nesaderīgus izstrādājumos, var rasties ugunsgrēks, pārmērīgs karstums, tie var uzsprāgt vai no tiem var iztecēt elektrolīts.
13. Ja darbarīks netiks lietots ilgu laiku, no tā jāizņem akumulators.

14. Lietošanas laikā vai pēc tās akumulatora kasetne var uzkrāt siltumu, kas var izraisīt apdegumus vai zemas temperatūras apdegumus. Ar karstu akumulatora kasetni apejieties rūpīgi.
15. Nepieskarieties darbarīka izvadam uzreiz pēc lietošanas, jo tas var būt sakarsis un izraisīt apdegumus.
16. Neļaujiet akumulatora kasetnes spailēs, atverēs un rievās uzkrāties skaidām, putekļiem vai netīrumiem. Tas var izraisīt sasilšanu, aizdegšanos, sprādzienu instrumenta vai akumulatora kasetnes nepareizu darbību, un lietotājs var gūt apdegumus vai ievainojumus.
17. Neizmantojiet akumulatora kasetni augstsprieguma līniju tuvumā, izņemot gadījumus, kad darbarīks ir piemērots lietošanai augstsprieguma līniju tuvumā. Citādi darbarīks vai akumulatora kasetne var sākt darboties nepareizi vai tikt sabojāti.
18. Glabājiet akumulatoru bērniem nepieejamā vietā.

SAGLABĀJIET ŠOS NORĀDĪJUMUS.

⚠UZMANĪBU: Lietojiet tikai oriģinālos Makita akumulatorus. Ja lietojat neoriģinālus Makita akumulatorus vai pārveidotus akumulatorus, tie var uzsprāgt un izraisīt aizdegšanos, traumas un materiālos zaudējumus. Tikas anulēta arī Makita darbarīka un lādētāja garantija.

Ieteikumi akumulatora kalpošanas laika pagarināšanai

1. Uzlādējiet akumulatora kasetni, pirms tā ir pilnībā izlādējusies. Vienmēr, kad ievērojāt, ka darbarīka darba jauda zudusi, apturiet darbarīku un uzlādējiet akumulatora kasetni.
2. Nekad neuzlādējiet pilnībā uzlādētu akumulatora kasetni. Pārmērīga uzlāde saīsina akumulatora kalpošanas laiku.
3. Uzlādējiet akumulatora kasetni istabas temperatūrā 10 °C - 40 °C. Karstai akumulatora kasetnei pirms uzlādes ļaujiet atdzist.
4. Kad akumulatora kasetne netiek izmantota, izņemiet to no darbarīka vai lādētāja.
5. Uzlādējiet litija jonu akumulatora kasetni, ja to ilgstoši nelietosit (vairāk nekā sešus mēnešus).

DETAĻU APRAKSTS

► Att.2

1	Priekšējais roku sargs	2	Svira	3	Virzošā sliede
4	Zāģa ķēde	5	Virzošās slides vāks	6	Atbloķēšanas poga
7	Aizmugures rokturis	8	Slēdža mēlīte	9	Akumulatora kasetne
10	Priekšējais rokturis	11	Eļļas tvertnes vāciņš	12	Zobatturis
13	Ķēdes uzķērējs	14	Regulēšanas skala	-	-

FUNKCIJU APRAKSTS

⚠UZMANĪBU: Pirms darbarīka regulēšanas vai tā darbības pārbaudes vienmēr pārliecinieties, ka darbarīks ir izslēgts un akumulatora kasetne ir izņemta.

Akumulatora kasetnes uzstādīšana un izņemšana

⚠UZMANĪBU: Vienmēr pirms akumulatora kasetnes uzstādīšanas vai noņemšanas izslēdziet darbarīku.

⚠UZMANĪBU: Uzstādot vai izņemot akumulatora kasetni, darbarīku un akumulatora kasetni turiet cieši. Ja darbarīku un akumulatora kasetni netur cieši, tie var izkrist no rokām un radīt bojājumus darbarīkam un akumulatora kasetnei, kā arī izraisīt ievainojumus.

- **Att.3:** 1. Sarkanās krāsas indikators 2. Poga
3. Akumulatora kasetne

Lai izņemtu akumulatora kasetni, izvelciet to no darbarīka, pārbindot kasetnes priekšpusē esošo pogu.

Lai uzstādītu akumulatora kasetni, salāgojiet akumulatora kasetnes mēlīti ar rievu ietvarā un iebīdīet to vietā. Ievietojiet to līdz galam, līdz tā ar klikšķi nokļūst vietā. Ja redzams attēlā parādītais sarkanais krāsas indikators, tas nozīmē, ka tas nav pilnīgi nokļūst.

⚠UZMANĪBU: Vienmēr ievietojiet akumulatora kasetni tā, lai sarkanais indikators nebūtu redzams. Pretējā gadījumā tā var nejauši izkrist no darbarīka un izraisīt jums vai apkārtējiem traumas.

















⚠UZMANĪBU: Neievietojiet akumulatora kasetni ar spēku. Ja kasetne neslīd ietvarā viegli, tā nav pareizi ielikta.

Atlikušās akumulatora jaudas indikators

Tikai akumulatora kasetnēm ar indikatoru

- **Att.4:** 1. Indikatora lampas 2. Pārbaudes poga

Nospiediet akumulatora kasetnes pārbaudes pogu, lai pārbaudītu akumulatora atlikušo uzlādes līmeni. Indikatoru iedegsies uz dažām sekundēm.

Indikatora lampas			Atlikusī jauda
 Iedegsies	 Izslēgts	 Mirgo	
			No 75% līdz 100%
			No 50% līdz 75%
			No 25% līdz 50%
			No 0% līdz 25%
			Uzlādējiet akumulatoru.
 	 		Iespējama akumulatora kļūme.

PIEZĪME: Reālā jauda var nedaudz atšķirties no norādītās atkarībā no lietošanas apstākļiem un apkārtējās temperatūras.

PIEZĪME: Akumulatora aizsardzības sistēmas darbības laikā mirgo pirmais (kreisais malējais) indikators.

Darbarīka/akumulatora aizsardzības sistēma

Darbarīkam ir darbarīka/akumulatora aizsardzības sistēma. Šī sistēma automātiski izslēdz strāvas padevi motoram, lai pagarinātu darbarīka un akumulatora darbmūžu. Lietošanas laikā darbarīks automātiski pārstās darboties, ja darbarīku vai akumulatoru pakļaus kādam no šādiem apstākļiem.

Aizsardzība pret pārslodzi

Ja darbarīku vai akumulatoru lieto tā, ka tas patērē pārlielā mērīti lielu strāvas daudzumu, darbarīks automātiski pārtrauc darbību. Šādā gadījumā izslēdziet darbarīku un pārtrauciet darbību, kas izraisīja darbarīka pārslodzi. Pēc tam ieslēdziet darbarīku, lai atsāktu darbu.

Aizsardzība pret pārkaršanu

Kad darbarīks vai akumulators ir pārkaris, darbarīks automātiski pārstāj darboties. Šādā gadījumā ļaujiet darbarīkam un akumulatoram atdzist un tikai pēc tam atkal ieslēdziet darbarīku.

PIEZĪME: Strādājot augstas temperatūras vidē, var aktivizēties pārkaršanas aizsardzības mehānisms, un darbarīks automātiski izslēgsies.

Aizsardzība pret akumulatora pārmērīgu izlādi

Ja akumulatora jaudas līmenis ir zems, darbarīks automātiski pārstāj darboties. Šajā gadījumā akumulatoru izņemiet no darbarīka un uzlādējiet.

Aizsardzība pret citiem cēloņiem

Aizsardzības sistēma ir paredzēta arī pret citiem cēloņiem, kas varētu radīt darbarīka bojājumus, un nodrošina automātisku darbarīka apturēšanu. Ja darbarīka darbība ir īslaicīgi apstājusies vai tas pārstājis darboties, veiciet visas tālāk norādītās darbības, lai novērstu cēloņus.

1. Izslēdziet un atkal ieslēdziet darbarīku, lai to atkārtoti iedarbinātu.
2. Uzlādējiet akumulatoru(-s) vai nomainiet to(-s) ar uzlādētu(-iem) akumulatoru(-iem).
3. Ļaujiet ierīcei un akumulatoram(-iem) atdzist.

Ja pēc aizsardzības sistēmas atjaunošanas nav uzlabojumu, sazinieties ar vietējo Makita tehnikās apkopes centru.

IEVĒRĪBAI: Ja darbarīks izslēdzas kāda iepriekš neaprašīta iemesla dēļ, skatiet sadaļu par problēmu novēršanu.

Slēdža darbība

▲BRĪDINĀJUMS: Jūsu drošības nolūkos šis darbarīks ir aprīkots ar atbloķēšanas pogu, kas neļauj darbarīku nejauši iedarbināt. Nekad nelietojiet darbarīku, ja tas ieslēdzas, paveicot slēdža mēlīti un nespiežot atbloķēšanas pogu. Dodieties uz vietējo Makita apkopes centru, lai veiktu remontu.

▲BRĪDINĀJUMS: Bloķēšanas funkciju nekādā gadījumā nedrīkst atspējot; nedrīkst ar līmlenti pielīmēt atbloķēšanas pogu nospiešā pozīcijā.

▲UZMANĪBU: Pirms akumulatora kasetnes uzstādīšanas darbarīkā vienmēr pārbaudiet, vai slēdža mēlīte darbojas pareizi un pēc atlaišanas atgriežas stāvoklī „OFF” (Izslēgts).

IEVĒRĪBAI: Nevelciet slēdža mēlīti ar spēku, nespiežot atbloķēšanas pogu. Slēdzis var salūzt.

► **Att.5:** 1. Atbloķēšanas poga 2. Slēdža mēlīte

Lai novērstu nejaušu slēdža mēlītes piespiešanu, darbarīks ir aprīkots ar bloķēšanas pogu. Lai iedarbinātu darbarīku, nospiediet bloķēšanas pogu un piespiediet slēdža mēlīti. Lai apturētu darbarīku, atlaidiet slēdža mēlīti.

Kēdes bremzes pārbaude

▲UZMANĪBU: Iedarbinot motorzāģi, turiet to ar abām rokām. Aizmugures rokturi turiet ar labo roku, bet priekšējo – ar kreiso. Virzošā sliede un ķēde nedrīkst saskarties ne ar vienu priekšmetu.

▲UZMANĪBU: Ja zāģa ķēde nekavējoties neapstājas, veicot šo pārbaudi, zāģi nekādā gadījumā nedrīkst ekspluatēt. Sazinieties ar mūsu pilnvaroto apkopes centru.

1. Sākumā nospiediet bloķēšanas pogu, pēc tam – slēdža mēlīti. Motorzāģis sāk nekavējoties darboties.
2. Ar delnas virspusi pabīdīd priekšējo rokas aizsargu uz priekšu. Pārliedzinieties, ka motorzāģis nekavējoties apstājas.

► **Att.6:** 1. Priekšējais roku sargs 2. Nebloķēta pozīcija 3. Bloķēta pozīcija

Jaudas pārtraukšanas bremzes pārbaude

▲UZMANĪBU: Ja šajā pārbaudē motorzāģis neapstājas vienā sekundē, tad motorzāģi vairs neizmantojiet un konsultējieties mūsu pilnvarotajā apkopes centrā.

Palaidiet motorzāģi, tad pilnībā atlaidiet slēdža mēlīti. Zāģa ķēdei sekundes laikā ir jāapstājas.

MONTĀŽA

▲UZMANĪBU: Pirms darbarīka regulēšanas vai apkopes vienmēr pārliedzinieties, ka darbarīks ir izslēgts un akumulatora kasetne ir izņemta.

▲UZMANĪBU: Zāģa ķēdei nedrīkst pieskarties ar kailām rokām. Rīkojoties ar zāģa ķēdi, vienmēr valkājiet cimdus.

Zāģa ķēdes uzstādīšana un noņemšana

▲UZMANĪBU: Zāģa ķēde un virzošā sliede uzreiz pēc ekspluatācijas vēl ir karsta. Tām vispirms jāatdziest, tikai tad drīkst darbarīku apkopt.

▲UZMANĪBU: Zāģa ķēde jāuzstāda vai jānoņem tīrā vietā, kur nav zāģu skaidu un līdzīgu materiālu.

Zāģa ķēdes uzstādīšana

Lai zāģa ķēdi uzliktu, veiciet šeit norādītās darbības.

1. Atbrīvojiet ķēdes bremzi, pavelkot priekšējo rokas aizsargu.

2. Svīru paraujiet augšup, spiežot tās malu.

► **Att.7:** 1. Svīra

3. Svīru grieziet pretēji pulksteņrādītāju kustības virzienam, līdz ķēdesrata aizsargu var noņemt.

► **Att.8:** 1. Svīra 2. Ķēdesrata aizsargs

4. Noņemiet ķēdesrata aizsargu.

5. Pārbaudiet, kādā virzienā vērsta zāģa ķēde. Zāģa ķēdes virzienam ir jāsakrīt ar virziena atzīmi uz ķēdes zāģa korpusa.

► **Att.9:** 1. Atzīme uz motorzāģa korpusa

6. Uzliedziet zāģa ķēdes vienu galu uz vadsliedes gala.

7. Uzliedziet otru zāģa ķēdes galu ap ķēdesratu, pēc tam piestipriniet vadotni pie motorzāģa korpusa.

► **Att.10:** 1. Ķēdesrats

8. Lai regulēšanas tapu virzītu bultiņas virzienā, regulēšanas skalu pagrieziet “-” virzienā.

► **Att.11:** 1. Regulēšanas skala 2. Regulēšanas tapa

9. Ķēdesrata pārsegu uz ķēdes zāģa novietojiet tā, lai regulēšanas tapa būtu pozicionēta mazajā atverē uz virzošās slides.

► **Att.12:** 1. Ķēdesrata aizsargs 2. Virzošā sliede 3. Atvere

10. Pagrieziet svīru pulksteņrādītāju kustības virzienā līdz galam un pēc tam mazliet atpakaļ, lai saglabātu rezervi ķēdes nospriegojuma regulēšanai.

11. Noregulējiet ķēdes spriegojumu. Lai uzzinātu, kā veikt šo procedūru, skatiet sadaļu par zāģa ķēdes nospriegojuma regulēšanu.

12. Svīru grieziet pulksteņrādītāju kustības virzienā, līdz ķēdesrata aizsargs ir nostiprināts, tad pagrieziet to sākotnējā pozīcijā.

► **Att.13:** 1. Svīra 2. Ķēdesrata aizsargs

Darbs ar motorzāģi

⚠ UZMANĪBU: Lietotājam zāģējot pirmo reizi, lai iepazītos, balķis jāzāģē uz kokzāģēšanas stēķa vai atbalsta.

⚠ UZMANĪBU: Zāģējot dēļus, izmantojiet drošu paliktni (kokzāģēšanas stēķi vai atbalstu). Apstrādājamo materiālu neturiet ar kāju, neļaujiet to turēt vai atbalstīt citiem cilvēkiem.

⚠ UZMANĪBU: Apaļu apstrādājamo materiālu nostipriniet tā, lai tas negrieztos.

⚠ UZMANĪBU: Kad darbojas dzinējs, ķēdes zāģim netuviniet nevienu ķermeņa daļu.

⚠ UZMANĪBU: Kad darbojas dzinējs, ķēdes zāģi cieši turiet abās rokās.

⚠ UZMANĪBU: Nestiepieties. Vienmēr stingri stāviet uz piemērota atbalsta un saglabāiet līdzsvaru.

IEVĒRĪBAI: Darbarīku nekur nesvediet un nemetiet zemē.

IEVĒRĪBAI: Neapsedziet darbarīka atveres.

Pirms ieslēgšanas motorzāģa korpusa apakšējo malu novietojiet pie zāģējamā balķa. Citādi virzošā sliede var svārstīties un ievainot operatoru. Pārzāģējamo koku zāģējiet, kustību lejup veicot tikai ar motorzāģa svaru.
► Att.23

Dažkārt balķi nevar pārzāģēt vienā paņēmienā, tad jārikojas, kā tālāk norādīts.

Viegli uzspiediet uz roktura un turpiniet zāģēt, tad nedaudz pavelciet motorzāģi atpakaļ; pēc tam zobatturi novietojiet nedaudz zemāk un, paceļot rokturi, pārzāģējiet.

► Att.24

Sagarumošana

1. Motorzāģa korpusa apakšējo malu atbalstiet pret zāģējamo kokmateriālu.

► Att.25

2. Kad zāģa ķēde darbojas, sāciet zāģēt koku, zāģi ar aizmugures rokturi paceļot un ar priekšējo virzot. Par atbalsta punktu izmantojiet zobatturi.

3. Turpiniet zāģēt, nedaudz uzspiežot uz priekšējā roktura, zāģi nedaudz atlaižot atpakaļ. Bīdīet zobatturi uz priekšu dziļāk kokā un atkal paceliet priekšējo rokturi.

IEVĒRĪBAI: Zāģējot vairākus gabalus, starplaiks apturiet motorzāģi.

⚠ UZMANĪBU: Ja zāģēšanai izmanto sliedes augšgalu, motorzāģis var noliekties uz jūsu pusi, ja ķēde iesprūst. Tāpēc zāģēšanai izmantojiet apakšējo sliedes malu, lai zāģis liktos prom no jums.

► Att.26

Zāģējot nospiestu kokmateriālu, vispirms zāģējiet spiediena pusi (A). Pēc tam zāģējiet no spriegotās puses (B). Tādējādi sliede neiesprūds.

► Att.27

Atzarošana

⚠ UZMANĪBU: Atzarot drīkst tikai šo prasmi apguvuši cilvēki. Iespējams atsitiens.

Atzarot motorzāģi atbalstiet uz koka balķa, ja iespējams. Nezāģējiet ar sliedes galu, jo tādējādi iespējams atsitiens. Īpaši uzmanieties ar nospiegotiem zariem. Neatbalstītus zarus nezāģējiet no apakšas. Atzarojot nestāviet uz nogāzta balķa.

Ieurbumi un garenzāģēšana

⚠ UZMANĪBU: Ieurbumu veikšana un garenzāģēšana atļauta tikai cilvēkiem, kas šādas prasmes ir apguvuši. Tā kā iespējams atsitiens, ir risks savainoties.

Garenzāģēšanu veiciet tik nelielā leņķī, cik vien iespējams. Zāģējot ārkārtīgi uzmanieties, jo nav iespējams izmantot zobatturi.

► Att.28

Koku nozāģēšana

⚠ UZMANĪBU: Kokus nozāģēt drīkst tikai šo prasmi apguvuši cilvēki. Darbs ir bīstams.

Ievērojiet vietējos noteikumus, ja vēlaties nozāģēt koku.
► Att.29: 1. Gāšanas zona

- Pirms koka nozāģēšanas pārliecinieties, ka:
 - tuvumā ir tikai cilvēki, kas piedalās nozāģēšanas procesā;
 - visiem šiem cilvēkiem nodrošināts patveršanās ceļš apmēram 45° leņķī uz abām pusēm no koka krišanas līnijas. Apsveriet arī papildu risku, ka koks var aizķerties aiz elektrības vadiem;
 - balķa pamatnē nav svešķermeņu, sakņu un zaru;
 - virzienā, kurā koks var gāzties, 2 1/2 koka garumu attālumā neatrodas neviens cilvēks vai priekšmets.
 - Ikvienu koka zāģēšanas gadījumā apsveriet šādus apstākļus:
 - noliekuma virziens;
 - vaļīgi vai sausi zari;
 - koka augstums;
 - dabiskā pārkare;
 - vai koks ir ietrunējis.
 - Ņemiet vērā vēja ātrumu un virzienu. Ja ir spēcīgas vēja brāzmas, nezāģējiet kokus.
 - Izvirzītu sakņu apzāģēšana: sāciet ar lielākajām saknēm. Sākumā iezāģējiet vertikāli, pēc tam – horizontāli.
 - Stāviet malā no krītošā koka. Neuzturieties aiz krītošā koka 45° leņķī uz abām pusēm no koka gāšanās virziena (sk. "gāšanas zonas" zīmējumu). Uzmanieties no krītošiem zariem.
 - Pirms zāģēšanas vajadzētu izplānot un atīrīt atkāpšanās ceļu. Atkāpšanās ceļam vajadzētu pļesties atpakaļ un pa diagonāli uz paredzamās gāšanās līnijas aizmuguri, kā parādīts attēlā.
- Att.30: 1. Gāšanās virziens 2. Bīstamā zona 3. Atkāpšanās ceļš

Gāžot kokus, ievērojiet šīs procedūras.

1. Iezāģējumu veidojiet iespējami tuvāk zemei. Sākumā horizontāli iezāģējiet dziļumā, kas ir 1/5–1/3 no balķa diametra. Iezāģējumu veidojiet pārāk plašu. Pēc tam veidojiet iezāģējumu pa diagonāli.

► **Att.31**

PIEZĪME: Iezāģējums noteiks, kurā virzienā koks kritīs, un to virzīs. Iezāģējumu veic pusē, uz kuru koku paredzēts nogāzt.

2. Aizmugurē zāģējiet mazliet augstāk par pamata iezāģējumu. Aizmugurē jāzāģē precīzi horizontālā līmenī. Starp aizmugures zāģējumu un priekšas iezāģējumu atstājiet apmēram 1/10 no balķa diametra. Koka šķiedras neiezāģētajā daļā kalpo par atbalstu. Iezāģējuma vietā laikus ielieciet ķīļus.

► **Att.32**

▲BRĪDINĀJUMS: Nekādos apstākļos nezāģējiet taisni cauri kokšķiedrai. Zāģējot taisni, koks gāzīsies nekontrolēti.

IEVĒRĪBAI: Aizmugures zāģējuma atverē drīkst likt tikai plastmasas vai alumīnija ķīļus. Nedrīkst izmantot tērauda ķīļus.

Darbarīka pārvietošana

Pirms darbarīka pārvietošanas vienmēr nospiediet ķēdes bremzi un izņemiet no darbarīka akumulatora kasetni. Pēc tam piestipriniet vadotnes vāku. Akumulatora kasetnei uzlieciet arī akumulatora vāku.

► **Att.33:** 1. Virzošās sliedes vāks 2. Akumulatora vāks

APKOPE

▲UZMANĪBU: Pirms darbarīka pārbaudes vai apkopes vienmēr pārliecinieties, ka darbarīks ir izslēgts un akumulatora kasetne ir izņemta.

▲UZMANĪBU: Veicot pārbaudi vai tehnisko apkopi, vienmēr valkājiet cimdus.

IEVĒRĪBAI: Nekad neizmantojiet gāzoliņu, benzīnu, atšķaidītāju, spirtu vai līdzīgus šķidrumus. Tas var radīt izbalēšanu, deformāciju vai plaisas.

Lai saglabātu izstrādājuma DROŠU un UZTICAMU darbību, remontdarbus, apkopi un regulēšanu uzticiet veikt tikai Makita pilnvarotam vai rūpnīcas apkopes centram, un vienmēr izmantojiet tikai Makita rezerves daļas.

Zāģa ķēdes asināšana

Zāģa ķēde jāasina, ja:

- zāģējot mitru koku, rodas irdenas zāģskaidas;
- ķēde ar grūtībām zāģē koku, pat ja to piespiež stingri;
- griezējuma līnī acīm redzami bojājumi;
- zāģis kokā raujas pa kreisi vai pa labi. (Nevienmērīgi uzasinātas zāģa ķēdes dēļ vai bojājums ir tikai vienā pusē.)

Zāģa ķēdi asiniet bieži, taču katru reizi tikai nedaudz. Ikdienas uzasināšanai parasti pietiek ar diviem vai trim vīles pārvilcieniem. Kad zāģa ķēde asināta vairākas reizes, nogādājiet to mūsu pilnvarotajā apkopes centrā, lai to tur uzasinātu.

Asināšanas kritēriji

▲BRĪDINĀJUMS: Pārmērīgs attālums starp griezējumu un dziļummēru palielina atsitiena iespējamību.

► **Att.34:** 1. Zoba garums 2. Attālums starp griezējumu un dziļummēru 3. Minimālais zoba garums (3 mm)

- Visiem zobiem jābūt vienādā garumā. Atšķirīga zoba garuma dēļ zāģa ķēde nedarbojas vienmērīgi, tādēļ zāģa ķēde var salūzt.
- Neasiniet ķēdi, ja zobs ir 3 mm garš vai īsāks. Ķēde jānomaina pret jaunu.
- Skaidu biežumu nosaka attālums starp dziļummēru (apaļgalu) un griezējumu.
- Vislabāk ķēde zāģē tad, ja starp griezējumu un dziļummēru ir tālāk norādītais attālums.
 - Ķēdes asmens 90PX: 0,65 mm

► **Att.35**

- Visiem zobiem jābūt vienādā asināšanas leņķim – 30°. Ja zobu leņķi būs dažādi, ķēde darbosies raujji un nevienmērīgi, pārāk ātri nolietosies un salūzīs.
- Lai pret zobu noturētu pareizu asināšanas leņķi, jāizmanto piemērota apaļā vīle.
 - Ķēdes asmens 90PX: 55°

Vīle un vīles bīdītājs

- Lai uzasinātu zāģa ķēdi, izmantojiet īpašu apaļo vīli (papildpiederums). Parastās apaļās vīles nav piemērotas.
- Diametrs atbilstošajām apaļajām vīlēm ir tālāk norādīts.
 - Ķēdes asmens 90PX: 4,5 mm
- Ķēde ar vīli jāvilē tikai virzienā uz priekšu. Atpakaļgājienā vīli no ķēdes noņemiet.
- Īsākos zobus asiniet vispirms. Šo zoba garums nosaka visu pārējo zāģa ķēdes zobu nepieciešamo garumu.
- Vīli virziet tā, kā attēlots zīmējumā.

► **Att.36:** 1. Vīle 2. Zāģa ķēde

- Ja izmanto vīles turētāju (papildaprīkojums), virzīt vīli ir daudz vieglāk. Uz vīles turētāja ir atzīmes pareizam asināšanas leņķim 30° (atzīmes centrējiet paralēli zāģa ķēdei), un tas ierobežo iespējamās dziļumu (līdz 4/5 no vīles diametra).
- **Att.37:** 1. Vīles turētājs

- Pēc ķēdes uzasināšanas pārbaudiet dziļummēra augstumu, izmantojot ķēdes mērinstrumentu (papildaprīkojums).

► **Att.38**

- Ar īpašu plakano vīli (papildaprīkojums) nogludiniet visus nelīdzenumus, pat mazus.
- Vēlreiz noapaļojiet dziļummēra priekšējo daļu.

Notīriet virzošo sliedi

Virzošās sliedes rievā uzkrāsies skaidas un putekļi. Tie var aizsprostot sliedes rievu un traucēt eļļas plūsmu. Skaidas un putekļus iztīriet katru reizi, kad asināt vai nomaināt zāģa ķēdi.

► **Att.39**

Kēdesrata aizsarga tīrīšana

Skaidas un putekļi uzkrāsies kēdesrata aizsarga iekšpusē. No darbarīka noņemiet kēdesrata aizsargu un zāga ķēdi, tad iztīriet skaidas un putekļus.

► **Att.40**

Eļļas izvades atveres tīrīšana

Darbības laikā eļļas izvades atverē var uzkrāties putekļi vai mazas daļiņas. Šie putekļi vai daļiņas var samazināt eļļas plūsmu un izraisīt nepietiekamu visas ķēdes eļļošanu. Ja konstatēta vāja eļļas padeve virzošās slīdes galā, iztīriet eļļas izvades atveri.

1. No darbarīka noņemiet kēdesrata aizsargu un zāga ķēdi.
2. Aizvāciet sīkus putekļus vai daļiņas, izmantojot plakanā uzgaļa skrūvgriezi vai līdzīgu darbarīku.

► **Att.41:** 1. Plakangala skrūvgriezis 2. Eļļas izvades atvere

3. Darbarīkā ielieciet akumulatora kasetni. Pavelciet slēdža mēlīti, lai no eļļas izvades atveres izvadītu uzkrājušos putekļus vai daļiņas, iztecinot ķēdes eļļu.

4. No darbarīka izņemiet akumulatora kasetni. Darbarīkam uzlieciet kēdesrata aizsargu un zāga ķēdi.

Kēdesrata nomaiņa

⚠UZMANĪBU: Nodilis kēdesrats sabojās jaunu zāga ķēdi. Šajā gadījumā nomainiet kēdesratu.

Pirms jaunas zāga ķēdes uzlikšanas pārbaudiet kēdesrata stāvokli.

- **Att.42:** 1. Kēdesrats 2. Izdīluma zonas

Vienmēr, nomainot kēdesratu, uzstādiet jaunu bloķēšanas gredzenu.

- **Att.43:** 1. Bloķēšanas gredzens 2. Kēdesrats

IEVĒRĪBAI: Pārliedzieties, ka kēdesrats uzstādīts tā, kā parādīts attēlā.

Darbarīka glabāšana

1. Pirms darbarīka novietošanas glabāšanai iztīriet to. Pēc kēdesrata aizsarga noņemšanas no darbarīka iztīriet skaidas un putekļus.

2. Pēc darbarīka iztīrīšanas darbiniet to bez noslodzes, lai ieeļļotu zāga ķēdi un virzošo sliedi.

3. Virzošajai slīdei uzlieciet virzošās slīdes vāku.

4. Iztukšojiet eļļas tvertni.

Norādījumi par regulāru tehnisko apkopi

Lai zāģis kalpotu ilgi, nepieļautu tā bojājumus un garantētu drošības aprīkojuma pilnīgu funkcionēšanu, regulāri jāveic tehniskā apkope. Garantijas remonta pieprasījumu pieņem tikai tad, ja apkopi veic regulāri un pareizi. Ja regulāri neveic aprakstīto tehnisko apkopi, iespējami negadījumi! Motorzāga lietotājs nedrīkst veikt tādus tehniskās apkopes darbus, kas nav aprakstīti šajā lietošanas rokasgrāmatā. Šāda veida darbi ievieci mūsu pilnvarotajā apkopes centrā.

Pārbaudāmais viensoms/veikšanas laiks	Pirms izmantošanas	Katru dienu	Reizi nedēļā	Reizi 3 mēnešos	Reizi gadā	Pirms glabāšanas
Motorzāģis	Apskate.	✓	-	-	-	-
	Tīrīšana.	-	✓	-	-	-
	Pārbaude pilnvarotā apkopes centrā.	-	-	-	✓	✓
Zāga ķēde	Apskate.	✓	-	-	-	-
	Asināšana, ja vajag.	-	-	-	-	✓
Virzošā sliede	Apskate.	✓	✓	-	-	-
	Noņemiet no motorzāga.	-	-	-	-	✓
Ķēdes bremze	Pārbaudīt funkcionēšanu.	✓	-	-	-	-
	Nogādāt uz periodisko pārbaudi pilnvarotā apkopes centrā.	-	-	-	✓	-
Ķēdes eļļošana	Pārbaudīt eļļas padeves ātrumu.	✓	-	-	-	-
Slēdža mēlīte	Apskate.	✓	-	-	-	-
Bloķēšanas poga	Apskate.	✓	-	-	-	-
Eļļas tvertnes vāciņš	Pārbaudīt ciešumu.	✓	-	-	-	-
Ķēdes uzķērējs	Apskate.	-	-	✓	-	-
Skrūves un uzgriežņi	Apskate.	-	-	✓	-	-

PROBLĒMU NOVĒRŠANA

Pirms nodošanas remontā vispirms veiciet pārbaudi pats. Ja konstatējat kļūmi, kas nav aprakstīta rokasgrāmatā, nemēģiniet darbarīku izjaukt. Dodieties uz Makita pilnvarotu apkopes centru un remontam vienmēr izmantojiet tikai Makita rezerves daļas.

Nefunkcionēšanas stāvoklis	Iemesls	Rīcība
Motorzāģis neiedarbinās.	Nav ievietota akumulatora kasetne.	Ievietojiet uzlādētu akumulatora kasetni.
	Akumulatora problēma (niecīga jauda).	Uzlādējiet akumulatora kasetni. Ja uzlāde nesniedz vēlamu rezultātu, nomainiet akumulatora kasetni.
Zāģa ķēde nekustas.	Ir aktivizēta ķēdes bremze.	Atļaidiet ķēdes bremzi.
Pēc īsa darbošanās brīža dzinējs noslāpst.	Akumulatora uzlādes līmenis ir par zemu.	Uzlādējiet akumulatora kasetni. Ja uzlāde nesniedz vēlamu rezultātu, nomainiet akumulatora kasetni.
Uz ķēdes nav eļļas.	Eļļas tvertne ir tukša.	Uzpildiet eļļas tvertni.
	Eļļas sliedes rievā ir netīra.	Iztīriet rievu.
Motorzāģis nesasniedz maksimālo apgriezumu skaitu minūtē.	Akumulatora kasetne ievietota nepareizi.	Akumulatora kasetni uzstādiet, kā aprakstīts šajā rokasgrāmatā.
	Samazinās akumulatora jauda.	Uzlādējiet akumulatora kasetni. Ja uzlāde nesniedz vēlamu rezultātu, nomainiet akumulatora kasetni.
	Piedziņas sistēma nedarbojas pareizi.	Lūdziet, lai pilnvarotā apkopes centrā jūsu reģionā to saremontē.
Ķēde nepārtrauc kustību pat tad, kad ir aktivizēta ķēdes bremze: nekavējoties apturiet darbarīku!	Bremzes sikсна ir izdilusi.	Lūdziet, lai pilnvarotā apkopes centrā jūsu reģionā to saremontē.
Pārmērīga vibrācija: nekavējoties apturiet darbarīku!	Palaidiet vaļīgāk virzošo sliedi vai zāģa ķēdi.	Piergulējiet virzošās sliedes un zāģa ķēdes nosprigojumu.
	Darbarīks nestrādā.	Lūdziet, lai pilnvarotā apkopes centrā jūsu reģionā to saremontē.
Zāģa ķēdi nevar uzmontēt.	Zāģa ķēde nav saderīga ar ķēdesratu.	Lai uzzinātu, kādas zāģa ķēdes un ķēdesrati ir saderīgi, skatiet tehnisko datu sadaļu.

PAPILDU PIEDERUMI

⚠ UZMANĪBU: Šādi piederumi un papildierīces tiek ieteiktas lietošanai ar šajā rokasgrāmatā aprakstīto Makita darbarīku. Izmantojot citus piederumus vai papildierīces, var tikt radīta trauma gūšanas bīstamība. Piederumu vai papildierīci izmantojiet tikai paredzētajam mērķim.

Ja jums vajadzīga palīdzība vai precīzāka informācija par šiem piederumiem, vērsieties savā tuvākajā Makita apkopes centrā.

- Zāģa ķēde
- Virzošā sliede
- Virzošās sliedes vāks
- Vīle
- Instrumentu somiņa
- Makita oriģinālais akumulators un lādētājs

⚠ BRĪDINĀJUMS: Ja iegādājat virzošo sliedi, kuras garums atšķiras no standarta virzošās sliedes garuma, nopērciet arī piemērotu virzošās sliedes vāku. Tam jāpiegulst un pilnībā jānosedz motorzāģa virzošā sliede.

PIEZĪME: Daži sarakstā norādītie izstrādājumi var būt iekļauti instrumenta komplektācijā kā standarta piederumi. Tie dažādās valstīs var būt atšķirīgi.

SPECIFIKACIJOS

Modelis:		DUC307	DUC357	DUC407
Bendrasis ilgis (be kreipimo juostos)		428 mm		
Vardinė įtampa		Nuol. sr. 18 V		
Grynasis svoris	*1	2,9 kg		
	*2	4,2–4,3 kg		
Standartinis kreipiamosios juostos ilgis		300 mm	350 mm	400 mm
Rekomenduojamas pjovimo juostos ilgis		300–400 mm		
Tinkamas grandininio pjūklų tipas (žr. toliau pateiktą lentelę)		90PX		
Žvaigždutė	Dantų skaičius	6		
	Pasvirimas	3/8 col.		
Grandinės greitis		0–7,7 m/s (0–460 m/min)		
Grandinės alyvos bakelio tūris		150 cm ³		

- Atliekame tęstinius tyrimus ir nuolatos tobuliname savo gaminius, todėl čia pateikiamos specifikacijos gali būti keičiamos be įspėjimo.
- Skirtingose šalyse specifikacijos gali skirtis.
- *1: Svoris be pjūklų grandinės, kreipimo juostos, kreipimo juostos gaubto, alyvos ir akumulatoriaus kasetės (-ių).
- *2: mažiausio ir didžiausio svorių derinys pagal 2014 sausio mėn. EPTA procedūrą. Svoris gali priklausyti nuo priedo (-ų), įskaitant akumulatoriaus kasetę (-es).

Pjūklų grandinės, kreipimo juostos ir žvaigždutės derinys

Grandininio pjūklų tipas		90PX		
Pavaros jungčių skaičius		46	52	56
Pjovimo juosta	Pjovimo juostos ilgis	300 mm	350 mm	400 mm
	Pjovimo ilgis	275 mm	330 mm	370 mm
	Pasvirimas	3/8 col.		
	Ribotumas	1,1 mm		
	Tipas	Žvaigždutės antgalio juosta		
Žvaigždutė	Dantų skaičius	6		
	Žingsnis	3/8 col.		

⚠️ ĮSPĖJIMAS: Naudokite tinkamą pjovimo juostą ir grandininį pjūklą. Antraip galite susižaloti.

Tinkama akumulatoriaus kasetė ir (arba) įkroviklis

Akumulatoriaus kasetė	BL1830B / BL1840B / BL1850B / BL1860B
Įkroviklis	DC18RC / DC18RD / DC18RE / DC18SD / DC18SE / DC18SF / DC18SH

- Atsižvelgiant į gyvenamosios vietos regioną, kai kurios pirmiau nurodytos akumulatoriaus kasetės ir įkrovikliai gali būti neprieinami.

⚠️ ĮSPĖJIMAS: Naudokite tik akumulatoriaus kasetes ir įkroviklius, kurie nurodyti anksčiau. Naudojant bet kurias kitas akumulatoriaus kasetes ir įkroviklius, gali kilti sužeidimo ir gaisro pavojus.













Rekomenduojamas laidu prijungiamas maitinimo šaltinis

Nešiojamasis maitinimo šaltinis	PDC01
---------------------------------	-------

- Atsižvelgiant į gyvenamosios vietos regioną, pirmiau nurodytas (-i) laidu prijungiamas (-i) maitinimo šaltinis (-iai) gali būti neprieinamas (-i).
- Prieš naudodami laidu prijungiamą maitinimo šaltinį, perskaitykite instrukciją ir ant jų pateiktus perspėjimus.

Simboliai

Toliau yra nurodyti simboliai, kurie gali būti naudojami įrangai. Prieš naudodami įsitinkinkite, kad suprantate jų reikšmę.

	Perskaitykite instrukcijų vadovą.
	Užsidėkite apsauginius akinius.
	Naudokite ausų apsaugos priemones.
	Didžiausias leistinasis pjovimo ilgis
	Naudodami pjūklą grandinę, visada dirbkite abiem rankomis.
	Saugokitės grandininio pjūklų atatranksio ir nesilieskite prie pjovimo juostos galiuko.
	Saugokite nuo drėgmės.
	Grandinės eigos kryptis
	Grandininio pjūklų alyvos kiekio reguliavimas
	Taikoma tik ES šalims Kadangi įrangoje yra pavojingų komponentų, panaudota elektrinė ir elektroninė įranga, akumuliatoriai ir baterijos gali turėti neigiamą poveikio aplinkai ir žmonių sveikatai. Nešalinkite elektros ir elektroninių prietaisų ar baterijų kartu su buitinėmis atliekomis! Pagal Europos direktyvą dėl elektros ir elektroninės įrangos atliekų bei akumuliatorių ir baterijų ir panaudotų akumuliatorių ir baterijų bei jos pritaikymą nacionaliniams įstatymams, panaudota elektros ir elektroninė įranga, baterijos ir akumuliatoriai turi būti surenkami atskirai ir pristatomi į atskirą buitinių atliekų surinkimo punktą, kuris veikia pagal aplinkos apsaugos taisykles. Tai rodo perbrauktas konteinerio ant ratukų simbolis, pateiktas ant įrangos.
	Garantuojamas garso galios lygis pagal ES lauko triukšmo direktyvą.
	Garso galios lygis pagal Australijos NSW triukšmo kontrolės reglamentą

Numatytoji naudojimo paskirtis

Šis grandininis pjūklas skirtas medžiui pjauti.

Triukšmas

Įprastas triukšmo A lygis, nustatytas pagal EN62841-4-1:

Modelis DUC307

Garso slėgio lygis (L_{pA}): 86 dB (A)
Garso galios lygis (L_{WA}): 97 dB (A)
Paklaida (K): 3 dB (A)

Modelis DUC357

Garso slėgio lygis (L_{pA}): 86 dB (A)
Garso galios lygis (L_{WA}): 97 dB (A)
Paklaida (K): 3 dB (A)

Modelis DUC407

Garso slėgio lygis (L_{pA}): 86 dB (A)
Garso galios lygis (L_{WA}): 97 dB (A)
Paklaida (K): 3 dB (A)

PASTABA: Paskelbta (-os) triukšmo reikšmė (-ės) nustatyta (-os) pagal standartinį testavimo metodą ir jį galima naudoti vienam įrankiui palyginti su kitu.

PASTABA: Paskelbta (-os) triukšmo reikšmė (-ės) taip pat gali būti naudojama (-os) norint preliminariai įvertinti triukšmo poveikį.

⚠️ ĮSPĖJIMAS: Dėvėkite ausų apsaugą.

⚠️ ĮSPĖJIMAS: Faktiškai naudojant elektrinį įrankį, keliamo triukšmo dydis gali skirtis nuo paskelbtos (-ų) reikšmės (-ių), priklausomai nuo būdų, kuriais yra naudojamas šis įrankis, ir ypač nuo to, kokio tipo ruošinys apdirbamas.

⚠️ ĮSPĖJIMAS: Siekiami apsaugoti operatorių, būtinai įvertinkite saugos priemones, remdamiesi vibracijos poveikio įvertinimu esant faktinėms naudojimo sąlygoms (atsižvelgdami į visas darbo ciklo dalis, pavyzdžiui, ne tik kiek laiko įrankis veikia, bet ir kiek kartų jis yra išjungiamas bei kai jis veikia be apkravų).

Vibracija

Vibracijos bendroji vertė (triaušio vektorius suma) nustatyta pagal EN62841-4-1 standartą:

Modelis DUC307

Darbo režimas: medžio pjovimas
Vibracijos emisija ($a_{h,w}$): 5,4 m/s²
Paklaida (K): 1,5 m/s²

Modelis DUC357

Darbo režimas: medžio pjovimas
Vibracijos emisija ($a_{h,w}$): 5,4 m/s²
Paklaida (K): 1,5 m/s²

Modelis DUC407

Darbo režimas: medžio pjovimas
Vibracijos emisija ($a_{h,w}$): 5,4 m/s²
Paklaida (K): 1,5 m/s²

PASTABA: Paskelbta (-os) vibracijos bendroji (-osios) reikšmė (-ės) nustatyta (-os) pagal standartinį testavimo metodą ir jį galima naudoti vienam įrankiui palyginti su kitu.

PASTABA: Paskelbta (-os) vibracijos bendroji (-osios) reikšmė (-ės) taip pat gali būti naudojama (-os) norint preliminariai įvertinti vibracijos poveikį.

⚠️ ĮSPĖJIMAS: Faktiškai naudojant elektrinį įrankį, keliamos vibracijos dydis gali skirtis nuo paskelbtos (-ų) reikšmės (-ių), priklausomai nuo būdų, kuriais yra naudojamas šis įrankis, ir ypač nuo to, kokio tipo ruošinys apdirbamas.

⚠️ ĮSPĖJIMAS: Siekdami apsaugoti operatorių, būtina įvertinti apsaugos priemones, remdamesi vibracijos poveikio įvertinimu esant faktinėms naudojimosi sąlygoms (atsižvelgdami į visas darbo ciklo dalis, pavyzdžiui, ne tik kiek laiko įrankis veikia, bet ir kiek kartų jis yra išjungiamas bei kai jis veikia be apkrovų).

EB atitikties deklaracija

Tik Europos šalims

EB atitikties deklaracija yra pridėdama kaip šio instrukcijų vadovo A priedas.

SAUGOS ĮSPĖJIMAI

Bendrieji įspėjimai dirbant elektriniais įrankiais

⚠️ ĮSPĖJIMAS: Perskaitykite visus saugos įspėjimus, instrukcijas, iliustracijas ir techninius duomenis, pateiktus kartu su šiuo elektriniu įrankiu. Nesilaikant visų toliau išvardytų instrukcijų galima patirti elektros smūgį, gali kilti gaisras ir (arba) galima sunkiai susižaloti.

Įsaugokite visus įspėjimus ir instrukcijas, kad galėtumėte jas peržiūrėti ateityje.

Terminas „elektrinis įrankis“ pateiktuose įspėjimuose reiškia į maitinimo tinklą jungiamą (laidinį) elektrinį įrankį arba akumulatoriaus maitinamą (belaidį) elektrinį įrankį.

Bendrieji įspėjimai dėl grandininio pjūklo saugos

- 1. Kai veikia grandininis pjūklas, visos kūno dalys turi būti kuo toliau nuo pjūklo grandinės. Prieš pradėdami dirbti su grandininio pjūkle, įsitinkinkite, kad pjūklo grandinė nieko neličia.** Dėl nedėmesingumo momento darbo su grandininiais pjūklais metu grandininis pjūklas gali įtraukti drabužius ar sužeisti.
- 2. Grandininio pjūklo galinę rankeną visada laikykite dešine ranka, o priekinę rankeną – kaire.** Susižeidimo rizika didėja grandininį pjūklą laikant priešingai nei buvo minėta, to geriau niekada nedaryti.
- 3. Laikykite grandininį pjūklą tik už izoliuotų rankenos paviršių, nes pjūklo grandinė gali paliesti paslėptus laidus.** Grandininiam pjūklams prisilietus prie laido, kuriuo teka srovė, neizoliuotos metalinės grandininio pjūklo dalys gali sukelti elektros smūgį ir nutrenkti operatorių.

- 4. Naudokite apsaugines akių priemones. Taip pat rekomenduojamos apsauginės klausos, galvos, rankų, kojų ir pėdų priemonės.** Atitinkamos apsauginės priemonės sumažins susižeidimo dėl skriejančių atliekų ar atsitiktinio sąlyčio su pjūklo grandine tikimybę.
- 5. Nenaudokite grandininio pjūklo medyje, ant kopėčių, stogo ar bet kurios nestabilios atramos.** Tokiu būdu naudojant grandininį pjūklą galima sunkiai susižaloti.
- 6. Visada tvirtai remkitės kojomis ir grandininį pjūklą naudokite tik stovėdami ant tvirto, saugaus ir lygaus paviršiaus.** Stovint ant slidžių arba nestabilių paviršių galima prarasti pusiausvyrą arba nesuvaldyti grandininio pjūklo.
- 7. Pjaudami jėgos veikiamą šaką, saugokitės, kad ji neatšoktų.** Kai medžio plaušai atpalaiduojami, jėgos veikiamą šaką gali kliudyti operatorių ir (arba) sutrikdyti grandininio pjūklo veikimą.
- 8. Būkite ypač atsargūs pjaudami krūmus ir sodinukus.** Grandininis pjūklas gali kliudyti plonas medžio daleles ir suplakti jas į jūsų pusę, arba dėl to galite prarasti pusiausvyrą.
- 9. Išjungtą ir nuo savęs nusuktą grandininį pjūklą neškite laikydami už priekinės rankenos. Transportuodami ar sandėliuodami grandininį pjūklą visada uždėkite kreipimo juostos gaubtą.** Tinkama grandininio pjūklo priežiūra sumažins atsitiktinio sąlyčio su judančia pjūklo grandine tikimybę.
- 10. Vadovaukitės tepimo, grandinės įtempimo ir juostos keitimo instrukcija.** Netinkamai įtempta ar sutepta grandinė gali trūkti ar padidinti atitranskos tikimybę.
- 11. Skirta tik medienai pjauti. Nenaudokite grandininio pjūklo ne pagal paskirtį. Pavyzdžiui, nenaudokite grandininio pjūklo metalui, plastikui, mūriui ar statybinėms medžiagoms, išskyrus medieną, pjauti.** Jei grandininis pjūklas naudojamas atlikti darbams, kuriems jis nėra skirtas, gali kilti pavojus.
- 12. Nebandykite kirsti medžio, kol nesupratote pavojų ir kaip jų išvengti.** Kertant medį gali būti sunkiai sužalotos operatorius ar šalia esantys asmenys.
- 13. Atitranskos priežastys ir profilaktiniai operatoriaus veiksmai**
Atitranska gali įvykti tada, kai kreipimo juostos atgalis ar galiukas liečia daiktą arba kai pjūklo grandinė priartėja prie medžio ir įstringa įpjoje. Kai kuriais atvejais galiuko prisilietimas prie objekto gali būti staigios priešingos reakcijos priežastis, kai kreipimo juosta trukteli į viršų link operatoriaus. Spaudžiant pjūklo grandinę viršutinėje kreipimo juostos dalyje, pjovimo juosta gali greitai pasisukti link operatoriaus.
Dėl bet kurios iš šių priežasčių galite nesuvaldyti pjūklo ir rimtai susižeisti. Nepasitikėkite vien tik pjūkle sumontuotais apsauginiais įtaisais. Grandininio pjūklo naudotojai turėtų atlikti keletą veiksmy, siekdami išvengti nelaimingų atsitikimų y susižeidimų vykdant pjovimo darbus. Atitranska yra piktnaudžiavimo grandininio pjūkle ir (arba) netinkamų darbo procedūrų ar sąlygų rezultatas, jos galima išvengti vadovaujantis toliau nurodytomis atsargumo priemonėmis.

- **Laikykite tvirtai, nykščiu bei pirštais suėmę grandininio pjūklo rankenas ir uždėję ant pjūklo abi rankas; kūnas ir ranka turi būti tokioje padėtyje, kad galėtumėte atlaikyti atatrunkos jėgas.** Operatorius gali kontroliuoti atatrunkos jėgas, jei imasi reikiamų atsargomų priemonių. Nepaleiskite grandininio pjūklo.

► Pav.1

- **Nepersitempkite ir nepjunkite didesniame nei pečių aukštyje.** Tai padeda išvengti nenumatyto galuko prisilietimo ir suteikia galimybę nenumatytoje situacijoje geriau valdyti grandininį pjūklą.
 - **Naudokite tik gamintojo nurodytas kreipimo juostas ir pjūklo grandines.** Netinkamos keičiamosios kreipimo juostos ir pjūklo grandinės gali sukelti grandinės nutrūkimą ir (arba) atatrunką.
 - **Laikykitės gamintojo nurodytų grandininio pjūklo galandimo ir priežiūros instrukcijų.** Dėl sumažinto gylio ribotuvo aukščio gali padidėti atatrunka.
14. **Šalinami užstrigusią medžiagą, sandėliuodami grandininį pjūklą ar atlikdami jo techninę priežiūrą, laikykitės visų instrukcijų. Patikrinkite, ar jungiklis išjungtas ir išimtas akumuliatoriaus paketas.** Netyčia įjungus grandininį pjūklą, kol šalinamos įstrigusios medžiagos arba atliekama techninė priežiūra, galima sunkiai susižaloti.

Papildomi nurodymai dėl saugumo

Asmeninės apsaugos priemonės

1. Rūbai turi būti prigludę, bet nevaržantys judesių.
2. Dirbdami naudokite tokias apsaugos priemones:
 - Patvirtintas saugos šalmas, jei pavojų kelia krantinčios šakos ar pan.;
 - Veido kaukė arba apsauginiai akiniai;
 - Tinkama klausos apsauga (ausinės, įprastiniai ar modeliuojami ausų kištukai). Pageidaujant - oktavinė triukšmo analizė.
 - Apsauginės pirštinės iš tvirtos odos;
 - Ilgos kelnės, pasiūtos iš tvirtos medžiagos;
 - Apsauginis kombinezonas iš pjovimui atsparios medžiagos;
 - Apsauginiai batai su neslystančiais padais, plieniniais galais ir pjovimui atsparaus audinio apdaila;
 - Respiratorius, jei dirbant kyla daug dulkių (pvz., pjaunant sausą medį).

Naudojimas

1. **Prieš pradėdami dirbti patikrinkite, ar grandininis pjūklas yra tinkamas darbui, ir ar jis atitinka saugos reikalavimus. Ypač patikrinkite, ar:**
 - tinkamai veikia grandinės stabdys;
 - tinkamai veikia sustojimo stabdys;
 - tinkamai uždėti strypas ir grandininio rato dangtelis;
 - grandinė buvo pagalšta ir įtempta pagal taisykles.
2. **Nepaleiskite grandininio pjūklo, kai ant jo uždėtas grandinės gaubtas.** Paleidus grandininį pjūklą su uždėtu grandinės gaubtu, grandinės gaubtas gali būti nusviestas ir sužeisti operatorių arba apgadinoti šalia jo esančius daiktus.

Elektros ir akumuliatoriaus sauga

1. **Venkite pavojingas aplinkos. Nenaudokite šio įrankio drėgnoje arba šlapioje vietoje, saugokite jį nuo lietaus.** Į įrankį patekęs vanduo padidins elektros smūgio pavojų.
2. **Nemeskite akumuliatoriaus (-ių) į ugnį.** Akumuliatoriaus elementas gali sprogti. Pasitikrinkite, ar vietiniai įstatymai nenurodo specialaus išmetimo būdo.
3. **Neatidarykite ir neardykite akumuliatoriaus (-ių).** Ištekėjęs elektrolitas yra šnadinančioji medžiaga, kuri gali pažeisti akis ar odą. Nurytas jis gali apnuodyti.
4. **Nenaudokite akumuliatoriaus lyjant arba drėgnoje vietoje.**
5. **Nekraukite akumuliatoriaus lauke.**
6. **Neimkite įkroviklio, įskaitant įkroviklio kištuką ir gnybtus, drėgnomis rankomis.**
7. **Nekeiskite akumuliatoriaus lyjant.**
8. **Nekeiskite akumuliatoriaus šlapiomis rankomis.**
9. **Nepalikite akumuliatoriaus lietuje, neįkraukite, nenaudokite ir nekeiskite akumuliatoriaus šlapioje arba drėgnoje vietoje.**
10. **Negalima šlapinti akumuliatoriaus kontakto skyčių, pvz., vandeniui, arba panardinti akumuliatoriaus.** Jei kontaktas sušlampa arba į akumuliatoriaus vidų patenka skysčio, gali kilti trumpasis akumuliatoriaus jungimas ir perkaitimo, gaisro arba sprogdimo pavojus.
11. **Išėmę akumuliatorių iš įrenginio arba įkroviklio, būtina uždėkite akumuliatoriaus dangtelį ant akumuliatoriaus ir laikykite jį sausoje vietoje.**
12. **Jei akumuliatoriaus kasetė sušlampa, pašalinkite vandenį iš vidaus ir tuomet išvalykite sausa šluoste. Prieš naudodami, visiškai išdžiovinkite akumuliatoriaus kasetę sausoje vietoje.**

SAUGOKITE ŠIAS INSTRUKCIJAS.

▲ ĮSPĖJIMAS: NELEISKITE, kad patogumas ir gaminio pažinimas (gyjamas pakartotinai naudojant) susilpnintų griežtą saugos taisyklių, taikytinų šiam gaminiui, laikymąsi. Dėl NETINKAMO NAUDOJIMO arba saugos taisyklių, kurios pateiktos šioje instrukcijoje, nesilaikymo galima rimtai susižeisti.

Svarbios saugos instrukcijos, taikomos akumuliatoriaus kasetei

1. **Prieš naudodami akumuliatoriaus kasetę, perskaitykite visas instrukcijas ir perspėjimus ant (1) akumuliatorių įkroviklio, (2) akumuliatorių ir (3) akumuliatorių naudojancio gaminio.**
2. **Neardykite ir negadinkite akumuliatoriaus kasetės.** Dėl to ji gali užsidegti, per daug įkaisti arba sprogti.
3. **Jei įrankio darbo laikas žymiai sutrumpėjo, nedelsdami nutraukite darbą su įrankiu. Tai gali kelti perkaitimo, nudegimų ar net sprogdimo pavojų.**

4. Jei elektrolitas pateko į akis, plaukite jas tyru vandeniu ir nedelsdami kreipkitės į gydytoją. Gali kilti regėjimo praradimo pavojus.
5. **Neužtrumpinkite akumuliatoriaus kasetės:**
 - (1) Nelieskite kontaktų degiomis medžiagomis.
 - (2) Venkite laikyti akumuliatoriaus kasetę kartu su kitais metaliniais daiktais, pavyzdžiui, vinimis, monetomis ir pan.
 - (3) Saugokite akumuliatoriaus kasetę nuo vandens ir lietaus.

Trumpasis jungimas akumuliatoriuje gali sukelti stiprią srovę, perkaitimą, galimus nudegimus ar net akumuliatoriaus gedimą.
6. Nelaikykite ir nenaudokite įrankio ir akumuliatoriaus kasetės vietose, kur temperatūra gali pasiekti ar viršyti 50 °C (122 °F).
7. Nedeginkite akumuliatoriaus kasetės, net jei yra stipriai pažeista ar visiškai susidėvėjusi. Ugnyje akumuliatoriaus kasetė gali sprogti.
8. Akumuliatoriaus kasetės nekalkite, nepjauskykite ir nemėtykite ir taip pat į ją netrankykite kietu daiktu. Taip elgiantis, ji gali užsidegti, per daug įkaisti arba sprogti.
9. Nenaudokite pažeisto akumuliatoriaus.
10. Įdėtoms ličio jonų akumuliatoriams taikomi Pavojingų prekių teisės akto reikalavimai. Komercinis transportas, pvz., trečiųjų šalių, prekių vežimo atstovų, turi laikytis specialaus reikalavimo ant pakuotės ir ženklavimo. Norėdami paruošti siųstiną prekę, pasitarkite su pavojingų medžiagų specialistu. Be to, laikykitės galimai išsamesnių nacionalinių reglamentų. Užklijuokite juosta arba padenkite atvirus kontaktus ir supakuokite akumuliatorių taip, kad ji pakuotėje nejudėtų.
11. Kai išmetate akumuliatoriaus kasetę, išimkite ją iš įrankio ir išmeskite saugioje vietoje. Vadovaukitės vietos reglamentais dėl akumuliatorių išmetimo.
12. Baterijas naudokite tik su „Makita“ nurodytais gaminiais. Baterijas įdėjus į netinkamus gaminius gali kilti gaisras, gaminys pernelyg kaisti, kilti sproginimas arba pratekėti elektrolitas.
13. Jei įrankis bus ilgą laiką nenaudojamas, akumuliatorių būtina išimti iš įrankio.
14. Darbo metu ir po akumuliatoriaus kasetės gali būti įkaitusi ir dėl to nudeginti. Imdami akumuliatoriaus kasetes, būkite atsargūs.
15. Tuojau pat po naudojimo nelieskite įrankio gnybtų, nes jie gali būti įkaitę tiek, kad nudegins.
16. Neleiskite, kad į akumuliatoriaus kasetės gnybtus, angas ir griovelius patektų drožlių, dulkių ar žemių. Jos gali sukelti kaitimą, užsidegti, sprogti ir sukelti įrankio ar akumuliatoriaus kasetės gedimą, dėl ko galima nusidėginti ar susižaloti.
17. Jeigu įrankis nėra pritaikytas naudoti šalia aukštos įtampos elektros linijų, akumuliatoriaus kasetės nenaudokite šalia aukštos įtampos elektros linijų. Dėl to gali sutrikti įrankio ar akumuliatoriaus kasetės veikimas arba jie gali sugesti.
18. Laikykite akumuliatorių vaikams nepasiekiamoje vietoje.

SAUGOKITE ŠIAS INSTRUKCIJAS.

⚠️ PERSPĖJIMAS: Naudokite tik originalų „Makita“ akumuliatorių. Neoriginalaus „Makita“ arba pakeisto akumuliatoriaus naudojimas gali nulemti gaisrą, asmens sužalojimą ir pažeidimą. Tai taip pat panaikina „Makita“ suteikiamą „Makita“ įrankio ir įkroviklio garantiją.

Patarimai, ką daryti, kad akumuliatorius veiktų kuo ilgiau

1. Pakraukite akumuliatoriaus kasetę prieš ją visiškai išsikraunant. Visuomet nustokite naudoti įrankį ir pakraukite akumuliatoriaus kasetę, kai pastebite, kad įrankio galia sumažėjo.
2. Niekada nekraukite iki galo įkrautos akumuliatoriaus kasetės. Perkraunant trumpėja akumuliatoriaus eksploatacijos laikas.
3. Akumuliatoriaus kasetę kraukite esant kambario temperatūrai 10 - 40 °C. Prieš pradėdami krauti, leiskite įkaitusiai akumuliatoriaus kasetei atvėsti.
4. Kai akumuliatoriaus kasetės nenaudojate, ją išimkite iš įrankio ar įkroviklio.
5. Įkraukite akumuliatoriaus kasetę, jei jos nenaudojate ilgą laiką (ilgiau nei šešis mėnesius).

DALIŲ APRAŠYMAS

► Pav.2

1	Priekinis rankų apsauginis gaubtas	2	Svirtelė	3	Pjovimo juosta
4	Pjūklo grandinė	5	Pjovimo juostos gaubtas	6	Užfiksavimo mygtukas
7	Galinė rankena	8	Gaidukas	9	Akumuliatoriaus kasetė
10	Priekinė rankena	11	Alyvos bakelio dangtelis	12	Dantuota atrama
13	Grandinės gaudyklė	14	Reguliavimo ratukas	-	-

VEIKIMO APRAŠYMAS

⚠ PERSPĖJIMAS: Prieš pradėdami reguliuoti arba tikrinti įrankio veikimą, visuomet būtinai išjunkite įrankį ir išimkite akumulatoriaus kasetę.

Akumulatoriaus kasetės uždėjimas ir nuėmimas

⚠ PERSPĖJIMAS: Prieš įdėdami arba išimdami akumulatoriaus kasetę, visada išjunkite įrankį.

⚠ PERSPĖJIMAS: Įdėdami arba išimdami akumulatoriaus kasetę, tvirtai laikykite įrankį ir akumulatoriaus kasetę. Jeigu įrankį ir akumulatoriaus kasetę laikysite netvirtai, jie gali išslysti iš jūsų rankų, todėl įrankis ir akumulatoriaus kasetė gali būti sugadinti, o naudotojas sužalotas.

- **Pav.3:** 1. Raudonas sandariklis (indikatorius) 2. Mygtukas 3. Akumulatoriaus kasetė

Jei norite išimti akumulatoriaus kasetę, ištraukite ją iš įrankio, stumdami mygtuką, esantį kasetės priekyje.

Jei norite įdėti akumulatoriaus kasetę, ant akumulatoriaus kasetės esantį liežuvėlį sutapdinkite su korpuso esančiu grioveliu ir įstumkite į jai skirtą vietą. Įstatykite iki pat galo, kad spragtelėdama užsifikuotų. Jeigu matote raudoną sandariklį (indikatorių), kaip parodyta paveikslėlyje, ji nėra visiškai užfiksuota.

⚠ PERSPĖJIMAS: Akumulatoriaus kasetę visada įkiškite iki galo, kol nebematysite raudono sandariklio (indikatoriaus) Priešingu atveju ji gali atsitiktinai iškristi iš įrankio ir sužeisti jus arba aplinkinius.

⚠ PERSPĖJIMAS: Nekiškite akumulatoriaus kasetės jėga. Jeigu kasetė sunkiai lenda, ją kiškite netinkamai.

Likusios akumulatoriaus galios rodymas

Tik akumulatoriaus kasetėms su indikatoriumi

- **Pav.4:** 1. Indikatorių lemputės 2. Tikrinimo mygtukas

Paspauskite akumulatoriaus kasetės tikrinimo mygtuką, kad būtų rodoma likusi akumulatoriaus energija. Maždaug trims sekundėms užsideds indikatorių lemputės.

Indikatorių lemputės			Likusi galia
Šviečia	Nešviečia	Blyksi	
■	□	▬	
■ ■ ■ ■			75 - 100 %
■ ■ ■ □			50 - 75 %
■ ■ □ □			25 - 50 %
■ □ □ □			0 - 25 %
▬ □ □ □			Įkraukite akumulatorių.

Indikatorių lemputės			Likusi galia
Šviečia	Nešviečia	Blyksi	
■	□	▬	
■ ■ □ □			Galimai įvyko akumulatoriaus veikimo triktis.
□ □ ■ ■			

PASTABA: Rodmuo gali šiek tiek skirtis nuo faktinės energijos lygio – tai priklauso nuo naudojimo sąlygų ir aplinkos temperatūros.

PASTABA: Veikiant akumulatoriaus apsaugos sistemai ims mirksėti pirmoji (toliausiai kairėje) indikatoriaus lemputė.

Įrankio / akumulatoriaus apsaugos sistema

Įrankyje įrengta įrankio / akumulatoriaus apsaugos sistema. Ši sistema automatiškai atjungia variklio maitinimą, kad įrankis ir akumulatorius ilgiau veiktų. Įrankis automatiškai išsijungs darbo metu esant vienai iš toliau nurodytų įrankio arba akumulatoriaus darbo sąlygų:

Apsauga nuo perkrovos

Kai įrankis ar akumulatorius naudojamas taip, kad neįprastai padidėja elektros srovė, įrankis automatiškai išsijungia. Tokiu atveju išjunkite įrankį ir nutraukite darbą, dėl kurio kilo įrankio perkrova. Tada vėl įjunkite įrankį.

Apsauga nuo perkaitimo

Kai įrankis arba akumulatorius perkaista, įrankis automatiškai išsijungia. Tokiu atveju, prieš vėl jungdami įrankį, leiskite įrankiui ir akumulatoriui atvėsti.

PASTABA: Tikėtina, kad aplinkoje, kurioje labai šilta, suveiks apsauga nuo perkaitimo, todėl įrankis bus išjungtas automatiškai.

Apsauga nuo visiško išsekimo

Kai akumulatoriaus įkrovos lygis nepakankamas, įrankis automatiškai išsijungia. Tokiu atveju ištraukite akumulatorių iš įrankio ir įkraukite jį.

Apsaugos nuo kitų priežasčių

Apsaugos sistema taip pat apsaugo nuo kitų priežasčių, galinčių pažeisti įrankį, todėl automatiškai jį išjungia. Įrankiui laikinai sustojus arba veikimo metu išsijungus, imkitės visų toliau nurodytų veiksmų ir pašalinkite to priežastis.

1. Išjunkite įrankį, tada vėl įjunkite, kad paleistumėte iš naujo.
2. Įkraukite akumulatorių (-ius) arba jį (juos) pakeiskite įkrautu (-ais) akumulatoriumi (-iais).
3. Palaukite, kol įrenginys ir akumulatorius (-iai) atvės.

Jeį, atkūrus apsaugos sistemą, veikimas nepagerėja, kreipkitės į vietos „Makita“ priežiūros centrą.

PASTABA: Jei įrankis sustoja dėl pirmiau neapibūdintos priežasties, žr. trikčių šalinimo skyrį.

Jungiklio veikimas

⚠️ JSPĖJIMAS: Jūsų pačių saugumui šiame įrankyje įrengtas atlaisvinimo mygtukas, kuris neleidžia netyčia įjungti įrankio. Niekada nenuodokite įrankio, jei jis įsijungia nuspaudus gaiduką, tačiau nenuspaudus atlaisvinimo mygtuko. Dėl remonto kreipkitės į vietinį „Makita“ techninės priežiūros centrą.

⚠️ JSPĖJIMAS: Niekada neišjunkite užfiksavimo funkcijos ir neužklijuokite lipnia juostele atlaisvinimo mygtuko.

⚠️ PERSPĖJIMAS: Prieš montuodami akumuliatoriaus kasetę įrankyje, visuomet patikrinkite, ar gaidukas tinkamai veikia ir atleistas grįžta į išjungimo padėtį „OFF“.

PASTABA: Netraukite svirtinio gaiduko smarkiai, nenuspaudę atlaisvinimo mygtuko. Gaidukas gali nulūžti.

► **Pav.5:** 1. Užfiksavimo mygtukas 2. Gaidukas

Atlaisvinimo mygtukas neleidžia atsitiktinai paspausti gaiduko. Norėdami įjungti įrankį, nuspauskite atlaisvinimo mygtuką ir tada paspauskite gaiduką. Norėdami sustabdyti, gaiduką atleiskite.

Grandinės stabdžio patikrinimas

⚠️ PERSPĖJIMAS: Įjungdami, laikykite grandininį pjūklą abiem rankomis. Galinę rankeną laikykite dešine ranka, o priekinę – kaire ranka. Pjovimo juosta ir grandinė neturi liestis prie jokių daiktų.

⚠️ PERSPĖJIMAS: Jeigu atliekant testą grandininis pjūklas tuoj pat neišsijungtų, šio pjūklo jokiais būdais negalima naudoti. Kreipkitės į mūsų įgaliotąjį techninės priežiūros centrą.

1. Pirmiausia nuspauskite atlaisvinimo mygtuką, tada spauskite gaiduką. Grandininis pjūklas bus iškart paleistas.

2. Atbula ranka paspauskite priekinį rankų apsauginį gaubtą. Įsitinkinkite, kad grandininis pjūklas iš karto sustoja.

► **Pav.6:** 1. Priekinis rankų apsauginis gaubtas
2. Atfiksuoja padėtis 3. Užfiksuoja padėtis

Nusidėvėjusio stabdžio patikrinimas

⚠️ PERSPĖJIMAS: Jei atliekant šį bandymą grandininis pjūklas nesustoja per vieną sekundę, juo nebesinaudokite ir kreipkitės į mūsų įgaliotąjį techninės priežiūros centrą.

Paleiskite grandininį pjūklą, tada visiškai atleiskite gaiduką. Grandininis pjūklas turi sustoti per vieną sekundę.

SURINKIMAS

⚠️ PERSPĖJIMAS: Prieš darydami ką nors įrankiui visada patikrinkite, ar įrenginys išjungtas, o akumuliatorių kasetė – nuimta.

⚠️ PERSPĖJIMAS: Nelieskite grandininio pjūklo plikomis rankomis. Įmdami grandininį pjūklą, visuomet mūvėkite pirštines.

Pjūklo grandinės montavimas arba nuėmimas

⚠️ PERSPĖJIMAS: Po naudojimo pjūklo grandinė ir pjovimo juosta vis dar būna įkaitusios. Prieš atikdami bet kokius įrankio remonto ar tikrinimo darbus, palaukite, kol jie atvės.

⚠️ PERSPĖJIMAS: Pjūklo grandinės montavimo arba nuėmimo procedūrą reikia atlikti švarioje vietoje, kur nėra pjuvenų ir panašiai.

Pjūklo grandinės montavimas

Norėdami sumontuoti pjūklo grandinę, atlikite šiuos veiksmus:

1. Patraukdami priekinę rankos apsaugą, atleiskite grandinės stabdį.

2. Spausdami svirties kraštą, patraukite ją į viršų.

► **Pav.7:** 1. Svirtelė

3. Sukite svirtelę prieš laikrodžio rodyklę, kol nusiims žvaigždutės gaubtas.

► **Pav.8:** 1. Svirtelė 2. Žvaigždutės gaubtas

4. Nuimkite žvaigždutės gaubtą.

5. Patikrinkite pjūklo grandinės kryptį. Sutapdinkite pjūklo grandinės kryptį su žyme ant grandininio pjūklo korpuso.

► **Pav.9:** 1. Žyma ant grandininio pjūklo korpuso

6. Įtaisykite vieną pjūklo grandinės galą ant kreipimo juostos viršaus.

7. Sumontuokite kitą pjūklo grandinės galą aplink žvaigždutę, tada prijunkite kreipimo juostą prie grandininio pjūklo korpuso.

► **Pav.10:** 1. Žvaigždutė

8. Sukite reguliavimo ratuką link „–“, kad reguliavimo kaištis slystų rodyklės kryptimi.

► **Pav.11:** 1. Reguliavimo ratukas 2. Reguliavimo kaištis

9. Uždėkite žvaigždutės gaubtą ant grandininio pjūklo taip, kad reguliavimo kaištis būtų mažojoje kreipiamosios juostos kiaurymėje.

► **Pav.12:** 1. Žvaigždutės gaubtas 2. Pjovimo juosta
3. Anga

10. Norėdami išlaikyti laisvumą grandinės įtempiui reguliuoti, iki galo pasukite svirtį pagal laikrodžio rodyklę ir tada šiek tiek atleiskite ją.

11. Sureguliuokite grandinės įtempį. Procedūros ieškokite skirsnyje „Pjūklo grandinės įtempio reguliavimas“.

12. Sukite svirtį prieš laikrodžio rodyklę, kol žvaigždutės gaubtas bus fiksuojamas, tada ją gražinkite į pradinę padėtį.

► **Pav.13:** 1. Svirtelė 2. Žvaigždutės gaubtas

Pjūklo grandinės nuėmimas

Norėdami nuimti pjūklo grandinę, atlikite šiuos veiksmus:

1. Patraukdami priekinę rankos apsaugą, atleiskite grandinės stabdį.
2. Sukite reguliavimo ratuką krypties „-“ link, kad sumažintumėte pjūklo grandinės įtempimą.
▶ **Pav.14:** 1. Reguliavimo ratukas
3. Spausdami svirties kraštą, patraukite ją į viršų.
▶ **Pav.15:** 1. Svirtelė
4. Sukite svirtelę prieš laikrodžio rodyklę, kol nusiims žvaigždutės gaubtas.
▶ **Pav.16:** 1. Svirtelė 2. Žvaigždutės gaubtas
5. Nuimkite žvaigždutės gaubtą, tada pjūklo grandinę ir kreipiamąją juostą nuo grandininio pjūklo korpuso.

Pjūklo grandinės įtempimo reguliavimas

▲PERSPĖJIMAS: Pjūklo grandinės montavimo arba nuėmimo procedūrą reikia atlikti švarioje vietoje, kur nėra pjuvenų ir panašiai.

▲PERSPĖJIMAS: Neperveržkite pjūklo grandinės. Dėl per didelio pjūklo grandinės įtempimo ji gali nutrūkti, gali nusidėvėti pjovimo juosta, arba sulūžti reguliavimo ratukas.

▲PERSPĖJIMAS: Per daug atlaisvinta grandinė gali nukristi nuo juostos, todėl kelia sužalojimo pavojų.

Pjūklo grandinė atsilaisvina tik po daugelio darbo valandų. Prieš naudojimą retkarčiais patikrinkite pjūklo grandinės įtempimą.

1. Spausdami svirties kraštą, patraukite ją į viršų.
▶ **Pav.17:** 1. Svirtelė
 2. Šiek tiek pasukite svirtį prieš laikrodžio rodyklę, kad atlaisvintumėte žvaigždutės gaubtą.
▶ **Pav.18:** 1. Svirtelė 2. Žvaigždutės gaubtas
 3. Šiek tiek pakelkite kreipiamąją juostą ir sureguliuokite grandinės įtempimą. Sukite reguliavimo ratuką „-“ kryptimi, kad atlaisvintumėte, o norėdami priveržti, sukite „+“ kryptimi. Veržkite pjūklo grandinę tol, kol apatinė pjūklo grandinės pusė įsitaisys pjovimo juostos griovelyje, kaip parodyta.
▶ **Pav.19:** 1. Reguliavimo ratukas 2. Pjovimo juosta 3. Pjūklo grandinė
 4. Prilaikydami pjovimo juostą, priveržkite žvaigždutės gaubtą. Įsitikinkite, kad pjūklo grandinė nėra atsilaisvinusi apatinėje dalyje.
 5. Sugrąžinkite svirtį į jos pradinę padėtį.
- Įsitikinkite, kad pjūklo grandinė tvirtai priglundusi prie juostos apatinės pusės.

NAUDOJIMAS

Tepimas

▲PERSPĖJIMAS: Nenaudokite grandininio pjūklo, kai bakelis tuščias. Tinkamu laiku, kol bakelis visiškai neištuštėjo, papildykite alyvos.

▲PERSPĖJIMAS: Stenkitės, kad alyvos nepakliūtų ant odos ir į akis. Patekus į akis, šios sudirgsta. Patekus į akis, nedelsdami išplaukite jas švariu vandeniu ir tuoj pat susisiekite su gydytoju.

▲PERSPĖJIMAS: Niekada nenaudokite panaudotos alyvos. Panaudotoje alyvoje yra kancerogeninių medžiagų. Dėl panaudotoje alyvoje esančių teršalų greičiau susidėvi alyvos siurblys, juosta ir grandinė. Panaudota alyva kenkia aplinkai.

PASTABA: Kai grandininis pjūklas naudojamas pirmą kartą, gali tekti palaukti maždaug dvi minutes, kol pjūklo mechanizmas bus pradėtas tepti pjūklo grandinės alyva. Leiskite pjūklui veikti be apkrovos, kol bus pradėtas tepimas.

PASTABA: Pirmą kartą pripylus grandinės alyvos arba pakartotinai pripildant ištuštintą alyvos bakelį, pripilkite alyvos iki pildymo angos apatinio krašto. Kitaip bus blogiau tiekiamą alyva.

PASTABA: Naudokite tik „Makita“ grandininiam pjūklams skirtą arba tapačią alyvą, kurią galite įsigyti savo šalyje.

PASTABA: Niekada nenaudokite alyvos, kurioje yra dulkių ir dalelių, arba lakios alyvos.

PASTABA: Genėdami medžius, naudokite botaninį aliejų. Mineralinė alyva gali pažeisti medžius.

PASTABA: Prieš išpjaudami, įsitikinkite, kad alyvos bakelio dangtelis yra prisuktas.

Tuo metu, kai įrankis įjungtas, pjūklo grandinė tepama automatiškai. Per alyvos kiekio nustatymo langelį reguliariai tikrinkite, kiek bakelyje liko alyvos.

▶ **Pav.20:** 1. Alyvos bakelio dangtelis 2. Alyvos kiekio nustatymo langelis

Norėdami pripilti alyvos, atlikite toliau nurodytus veiksmus.

1. Nuvalykite sritį aplink alyvos bakelio dangtelį, kad į alyvos bakelį nepatektų jokio purvo.
2. Paguldykite grandininį pjūklą ant šono ir nuimkite alyvos bakelio dangtelį.
3. Pripildykite alyvos bakelį alyvos. Tinkamas alyvos kiekis yra 150 ml.
4. Tvirtai užsukite alyvos bakelio dangtelį.
5. Kruopščiai nuvalykite išsiliejusią grandinei tepti skirtą alyvą.

PASTABA: Jei sunku atsukti alyvos bakelio dangtelį, įkiškite į alyvos bakelio dangtelio lizdą plokščiąjį atsuktuvą ir sukite prieš laikrodžio rodyklę.

▶ **Pav.21:** 1. Lizdas 2. Atsuktuvas su grioveliais

Papildę grandininį pjūklą laikykite toliau nuo medžio. Įjunkite jį ir laukite, kol pjūklo grandinė bus pakankamai sutepta.

▶ **Pav.22**

Darbas grandininio pjūkle

▲PERSPĖJIMAS: Pirmą kartą naudodamas pjūklą, naudotojas būtinai privalo jį išbandyti, pjaudamas rąstus ant ožio arba atramos malkoms pjauti.

▲PERSPĖJIMAS: Pjaudami pjautinę medieną, naudokite saugią atramą (ožį malkoms pjauti arba atramą). Neprispauskite ruošinio pėda ir neleiskite, kad jį laikytų arba paremtų kitas žmogus.

▲PERSPĖJIMAS: Įtvirtinkite apvalius ruošinius, kad jie nesisuktų.

▲PERSPĖJIMAS: Varikliui veikiant, grandininį pjūklą laikykite atokiau nuo kūno dalių.

▲PERSPĖJIMAS: Varikliui veikiant, grandininį pjūklą laikykite tvirtai abiem rankomis.

▲PERSPĖJIMAS: Nepersitempkite. Visuomet tvirtai stovėkite ant žemės, išlaikykite pusiausvyrą.

PASTABA: Niekada nenusvieskite ar nenumeskite įrankio.

PASTABA: Neuždenkite įrankio ventilacijos angų.

Prieš įjungdami grandininį pjūklą, jo korpusu palieskite norimą pjauti šaką. Antraip pjovimo juosta gali pradėti svirduliuoti ir sužeisti operatorių. Pjautiną medį pjaukite tiesiog ją judindami žemyn, naudodami grandininio pjūklo svorį.

► Pav.23

Jei nepavyksta supjauti medienos vienu judesiu: truputį paspauskite rankeną ir toliau pjaukite, šiek tiek atitraukdami grandininį pjūklą atgal; po to nuleiskite dantuotą atramą truputį žemiau ir pabaikite pjovimą, pakeldami rankeną.

► Pav.24

Medžių pjovimas rąstams

1. Atremkite grandininio pjūklo korpuso apatinį kraštą į pjautiną medį.

► Pav.25

2. Įjungę grandininį pjūklą, pjaukite medį, galinę rankeną naudodami pjūklui atkelti, o priekinę – jam valdyti. Naudokite dantuotą atramą kaip atsparos tašką.

3. Tęskite pjovimo darbus, truputį paspausdami priekinę rankeną, lengvai atitraukdami pjūklą atgal. Stumkite žemyn rąstu dantuotą atramą ir vėl pakelkite priekinę rankeną.

PASTABA: Atlikę keletą pjūvių, išjunkite grandininį pjūklą tarp pjūvių.

▲PERSPĖJIMAS: Jeigu pjaunate viršutiniu pjovimo juostos kraštu, grandinei įstrigus, grandininį pjūklą gali atmesti į jus. Dėl šios priežasties pjaukite apatiniu kraštu, kad įstrigimo atveju pjūklas būtų nukreiptas šalin nuo jūsų kūno.

► Pav.26

Kai pjaunate įtemptą medį, pradžioje pjaukite įtemptą pusę (A). Tada atlikite paskutinį pjūvį, naudodami įtemptą pusę (B). Tai neleidžia pjovimo juostai įstrigti.

► Pav.27

Šakų genėjimas

▲PERSPĖJIMAS: Šakas genėti gali tik apmokytas asmenys. Pavojų kelia atatranks rizika.

Genėdami šakas, jeigu įmanoma, atremkite grandininį pjūklą į kamieną. Nepjaukite pjovimo juostos galu, nes kyla atatranks pavojus.

Saugokitės įtemptų šakų. Nepjaukite iš apačios neparemtų šakų.

Genėdami šakas nestovėkite ant nukirsto kamieno.

Įpjovimai ir lygiagretūs pluoštui pjūviai

▲PERSPĖJIMAS: Įpjovimus ir lygiagrečius pluoštui pjūvius gali atlikti tik specialiai apmokytas asmenys. Atatranks galimybė kelia pavojų susižeisti.

Lygiagrečius pluoštui pjūvius atlikti kaip įmanoma bukesniu kampu. Pjaudami būkite itin atsargūs, kadangi dantuotos atramos naudoti negalima.

► Pav.28

Kirtimas

▲PERSPĖJIMAS: Medžius kirsti gali tik apmokytas asmenys. Šis darbas yra pavojingas.

Norėdami nukirsti medį, vadovaukitės vietiniais reglamentais.

► Pav.29: 1. Kirtimo vieta

- Prieš pradėdami kirtimo darbus, patikrinkite, ar:
 - netoliese yra tik su kirtimo darbais susiję asmenys;
 - visi asmenys turi laisvą atsitraukimo kelią maždaug 45° kampu iš abiejų kirtimo ašies pusių; atsižvelkite į papildomą pavojų užkliūtį už elektros laidų;
 - prie medžio kamieno pagrindo nėra jokių pašalinių daiktų, šaknų ir nelygumų;
 - nėra žmonių ar daiktų arčiau nei per 2,5 medžio ilgio medžio kritimo kryptimi.
- Kirsdami bet kurį medį, atsižvelkite į tokius dalykus:
 - pasvirimo kryptį;
 - nulūžusias arba sausas šakas;
 - medžio aukštį;
 - natūralią nuosvyrą;
 - ar medis sutrūnijęs, ar ne.
- Atkreipkite dėmesį į vėjo greitį ir kryptį. Nevykdykite kirtimo darbų, jei pučia stiprūs vėjo gūsiai.
- Iškilusių šaknų genėjimas Pradžioje nupjaukite storiausius auglius. Pirma padarykite vertikalus, po to – horizontalų pjūvį.
- Pasitraukite į šoną nuo krentančio medžio. Užpakalinė krentančio medžio dalis turi būti laisva 45° kampu iš abiejų medžio ašies pusių (žr. į „medžių kirtimo zonos“ piešinį). Saugokitės krentančių šakų.

- Prieš pradėdami pjauti, suplanuokite ir, jei reikia, išvalykite pabėgimo kelią. Pabėgimo kelias turi eiti atgal ir įstrižai už tikėtinos kritimo linijos, kaip parodyta paveikslėlyje.

- ▶ **Pav.30:** 1. Kirtimo kryptis 2. Pavojaus zona 3. Evakuacijos maršrutas

Kirsdami medžius laikykitės toliau nurodytų procedūrų.

1. Įstrižai pjūvį atlikite kuo arčiau žemės. Pirmiausia atlikite horizontalų pjūvį, įpjaudami 1/5–1/3 medžio kamieno skersmens. Nepadarykite per ilgą įstrižo pjūvio. Tada atlikite įstrižinį pjūvį.

- ▶ **Pav.31**

PASTABA: Įstrižas pjūvis apsprendžia kryptį, kuria kris medis, ir nukreipia jį. Jis atliekamas iš tos pusės, link kurios turės kristi medis.

2. Atlikite galinį pjūvį truputį aukščiau už įstrižo pjūvio pagrindą. Galinis pjūvis turi būti tiksliai horizontalus. Tarp galinio ir įstrižo pjūvio palikite ir neįpjaukite maždaug 1/10 kamieno skersmens. Medžio pluoštai neįpjauto kamieno dalyje tarnauja vietoj lanksto. Laikiniai į galinį pjūvį įkiškite pleištus.

- ▶ **Pav.32**

⚠️ JSPĖJIMAS: Jokiomis aplinkybės nepjunkite tiesiai per pluoštą. Antraip medis nukris nepatikrinus.

PASTABA: Į galinį pjūvį galima kišti tik plastikinius arba aliumininius pleištus. Geležinius pleištus kišti draudžiama.

Įrankio nešimas

Prieš nešdami įrankį, būtina įjunkite grandinės stabdį ir išimkite iš įrankio akumuliatorių. Tada sumontuokite kreipimo juostos dangtį. Taip pat uždenkite akumuliatorių dangtelius.

- ▶ **Pav.33:** 1. Pjovimo juostos gaubtas 2. Akumuliatoriaus dėklas

TECHNINĖ PRIEŽIŪRA

⚠️ PERSPĖJIMAS: Visuomet įsitikinkite, ar įrankis yra išjungtas ir akumuliatoriaus kasetė yra nuimta prieš atlikdami apžiūrą ir priežiūrą.

⚠️ PERSPĖJIMAS: Atlikdami bet kokį patikrinimą arba techninės priežiūros darbus, visada mūvėkite pirštines.

PASTABA: Niekada nenaudokite gazolino, benzino, tirpiklio, spirito arba panašių medžiagų. Gali atsirasti išblukimų, deformacijų arba įtrūkimų.

Kad gaminys būtų SAUGUS ir PATIKIMAS, jį taisyti, apžiūrėti ar vykdyti bet kokią kitą priežiūrą ar derinimą turi įgaliojusias kompanijos „Makita“ techninės priežiūros centras; reikia naudoti tik kompanijos „Makita“ pagamintą atsarginę dalis.

Pjūklo grandinės galandimas

Pjūklo grandinę galąskite, kai:

- pjaunant drėgną medieną, krenta miltų pavidalo pjūvenos;
- grandinė sunkiai skverbiasi į medieną, net ir stipriai spaudžiant;
- pjovimo kraštas yra aiškiai apgadintas;
- pjaunant medieną, pjūklas slenka kairėn arba dešinėn. (taip nutinka dėl nelygaus pjūklo grandinės išgalandimo arba tik vienos pusės apgadavimo)

Dažnai galąskite pjūklo grandinę, tačiau kiekvieną kartą nugaląskite tik šiek tiek. Dažnai galandant, paprastai pakanka dviejų ar trijų dildės brūkštelėjimų. Keletą kartų pagalandus pjūklo grandinę, ją reikėtų atiduoti į mūsų įgaliotąjį techninės priežiūros centrą, kad ją dar kartą pagalastų.

Galandimo kriterijai:

⚠️ JSPĖJIMAS: Dėl pernelyg didelio atstumo tarp pjovimo krašto ir gylio ribotuvo padidėja atatranks pavojus.

- ▶ **Pav.34:** 1. Pjovimo dantukų ilgis 2. Atstumas tarp pjovimo krašto ir gylio ribotuvo 3. Mažiausias pjovimo dantukų ilgis (3 mm)

- Visų pjovimo dantukų ilgis privalo būti vienodas. Nėvienodo ilgio pjovimo dantukai neleidžia pjūklo grandinei tolygiai sukintis, todėl grandinė gali nutrūkti.
- Kai pjovimo dantukų ilgis tapo 3 mm ar mažiau, negaląskite grandinės. Grandinę reikia pakeisti nauja.
- Narelis storis nustatomas pagal atstumą tarp gylio ribotuvo (apvali noselė) ir pjovimo dantuko krašto.
- Geriausių pjovimo rezultatų pasiekama, kai atstumas tarp pjovimo dantuko krašto ir gylio ribotuvo yra toks, kaip nurodyta toliau.
 - Grandinės ašmenys 90PX: 0,65 mm

▶ Pav.35

- Visi pjovimo dantukai turi būti vienodai pagalasti 30° kampu. Pjovimo dantukus pagalandus skirtingu kampu, kampo grandinė suksis netolygiai ir nelygiai, ji greičiau susidėvės arba net nutrūks.
- Naudokite tinkamą apvalią dildę, kad dantys būtų pagalasti tinkamu kampu.
 - Grandininio pjūklo ašmenys 90PX: 55°

Dildė ir dildės valdymas

- Grandininio pjūklo grandinės galandimui naudokite specialią apvalią dildę (papildomas priedas). Įprastos apvalios dildės netinka.
- Toliau nurodyti kiekvienai pjūklo grandinei tinkamų apvalių dildžių skersmenys:
 - Grandinės ašmenys 90PX: 4,5 mm
- Dildė turi liesti pjovimo dantuką, tik braukiant ją į priekį. Atbulinio judesio metu atkelkite dildę nuo pjovimo dantuko.
- Pirmiausia pagaląskite trumpiausią pjovimo dantį. Šio trumpiausio pjovimo dantuko ilgis tampa šablonu, galandant visus kitus pjūklo grandinės pjovimo dantukus.

— Nukreipkite dilde taip, kai parodyta piešinyje.

► **Pav.36:** 1. Dildė 2. Pjūklo grandinė

— Dildę lengviau nukreipti, naudojant dildės laikiklį (papildomas priedas). Ant dildės laikiklio pažymėtas teisingas 30° galandimo kampas (sulygiuokite žymes lygiagrečiai su pjūklo grandine) ir prasi-skverbimo gylio ribos (4/5 dildės skersmens).

► **Pav.37:** 1. Dildės laikiklis

— Pagalandę grandinę, patikrinkite gylio ribotuvo aukštį, naudodami grandinės matavimo įrankį (papildomas priedas).

► **Pav.38**

— Specialia plokščia dilde (papildomas priedas) nudildykite bet kokias išsikišusias dalis, kad ir kokios mažos jos būtų.

— Vėl užapvalinkite gylio ribotuvo priekines dalis.

Pjovimo juostos valymas

Atplaišos ir pjūvenos kaupsis pjovimo juostos griovelyje. Jos gali užkimšti juostos griovelį ir trukdyti tekėti alyvai. Iškart galąsdami arba keisdami pjūklo grandinę, išvalykite šias atplaišas ir pjūvenas.

► **Pav.39**

Žvaigždutės gaubto valymas

Atplaišos ir pjūvenos kaupsis žvaigždutės gaubte. Nuimkite žvaigždutės gaubtą ir grandinę nuo įrankio, tada išvalykite atplaišas ir pjūvenas.

► **Pav.40**

Alyvos tiekimo angos valymas

Darbo metu alyvos tiekimo angoje gali susikaupti smulkių dalelių arba dulkių. Šios dulkės arba dalelės gali sutrikdyti paduodamos alyvos tekėjimą, todėl gali sutrikti visos pjūklo grandinės tepimas. Kai pjovimo juostos galas prastai tepamas grandinės tepimo alyva, išvalykite alyvos tiekimo angą tokiu būdu:

1. Nuimkite nuo įrankio žvaigždutės dangtelį ir pjūklo grandinę.

2. Pašalinkite smulkias daleles arba dulkes, naudodami ploną atsuktuvą arba panašų įrankį.

► **Pav.41:** 1. Atsuktuvus su grioveliais 2. Alyvos išleidimo anga

3. Įkiškite akumulatoriaus kasetę į įrankį. Patraukite svirtinį gaiduką, kad tekanti grandinės tepimo alyva pašalintų alyvos išleidimo angoje susikaupusias dulkes arba kietas daleles.

4. Ištraukite iš įrankio akumulatoriaus kasetę. Uždėkite ant įrankio žvaigždutės dangtelį ir pjūklo grandinę.

Pakeiskite žvaigždutę nauja

⚠ PERSPĖJIMAS: Susidėvėjusi žvaigždutė sugadins naują pjūklo grandinę. Tokiu atveju žvaigždutę reikia pakeisti nauja.

Prieš pradėdami montuoti naują pjūklo grandinę, patikrinkite žvaigždutės būklę.

► **Pav.42:** 1. Žvaigždutė 2. Nusidėvinčios sritys

Keisdami žvaigždutę, visada įdėkite naują fiksavimo žiedą.

► **Pav.43:** 1. Fiksavimo žiedas 2. Žvaigždutė

PASTABA: Įsitikinkite, kad žvaigždutė įdėta, kaip parodyta paveikslėlyje.

Įrankio saugojimas

1. Nuvalykite įrankį, prieš sandėliuodami. Nuėmę žvaigždutės gaubtą, nuvalykite nuo įrankio visas atplaišas ir pjūvenas.

2. Nuvalę įrankį, leiskite jam padirbti be apkrovos, kad būtų sutepta pjūklo grandinė ir pjovimo juosta.

3. Įmaukite pjovimo juostą į pjovimo juostos gaubtą.

4. Ištuštinkite alyvos talpyklą.

Nurodymai dėl periodinės techninės priežiūros

Norėdami užtikrinti ilgą įrenginio naudojimo laiką ir išvengti jo gedimų bei užtikrinti visišką jo saugos funkcijų veikimą, reguliariai atlikite toliau nurodytus techninės priežiūros darbus. Garantijos reikalavimai priimami tik tada, jeigu buvo reguliariai ir tinkamai atliekami šie darbai. Neatliekant nurodytų būtinų techninės priežiūros darbų, gali įvykti nelaimingų atsitikimų! Grandininio pjūklo naudotojui draudžiama atlikti šioje naudojimo instrukcijoje neaprašytus techninės priežiūros darbus. Visus šiuos darbus privalo atlikti mūsų įgaliotasis techninės priežiūros centras.

Tikrintinas elementas / veikimo laikas	Prieš darbą	Kasdien	Kas savaitę	Kas 3 mėnesius	Kasmet	Prieš dedant laikyti
Grandininis pjūklas	Patikrinimas.	✓	-	-	-	-
	Valymas.	-	✓	-	-	-
	Kreipkitės į įgaliotąjį techninės priežiūros centrą.	-	-	-	✓	✓
Pjūklo grandinė	Patikrinimas.	✓	-	-	-	-
	Jei reikia, galandimas.	-	-	-	-	✓
Pjovimo juosta	Patikrinimas.	✓	✓	-	-	-
	Nuimkite nuo grandininio pjūklo.	-	-	-	-	✓
Grandinės stabdys	Patikrinkite, kaip veikia.	✓	-	-	-	-
	Reguliariai tikrinkite įgaliotame techninės priežiūros centre.	-	-	-	✓	-
Grandinės tepimas	Patikrinkite alyvos tiekimo greitį.	✓	-	-	-	-
Gaidukas	Patikrinimas.	✓	-	-	-	-
Atlaisvinimo mygtukas	Patikrinimas.	✓	-	-	-	-
Alyvos bakelio dangtelis	Patikrinkite užveržimą.	✓	-	-	-	-
Grandinės gaudyklė	Patikrinimas.	-	-	✓	-	-
Sraigatai ir veržlės	Patikrinimas.	-	-	✓	-	-

GEDIMŲ ŠALINIMAS

Prieš kreipdamiesi dėl remonto darbų, pirmiausia patikrinkite gedimus patys. Kilus problemų, apie kurias nepaaiškinta vartotojo vadove, nemėginkite ardyti įrankio. Kreipkitės į įgaliotuosius „Makita“ techninės priežiūros centrus, kuriuose remontui visuomet naudojamos originalios „Makita“ keičiamosios dalys.

Trikties būseną	Priežastis	Veiksmas
Nepavyksta paleisti grandininio pjūklo.	Neįdėta akumuliatoriaus kasetė.	Įdėkite įkrautą akumuliatoriaus kasetę.
	Akumuliatoriaus problema (maža įtampa).	Įkraukite akumuliatorių. Jei įkrauti nepavyksta, akumuliatorių pakeiskite.
Nesisuka pjūklo grandinė.	Įjungtas grandinės stabdys.	Atleiskite grandinės stabdį.
Po trumpo naudojimo laikotarpio variklis nustoja veikti.	Mažas akumuliatoriaus įkrovos lygis.	Įkraukite akumuliatorių. Jei įkrauti nepavyksta, akumuliatorių pakeiskite.
Ant grandinės nėra alyvos.	Tuščias alyvos bakelis.	Pripildykite alyvos bakelį.
	Nešvarus alyvos nukreipimo griovelis.	Išvalykite griovelį.
Grandininis pjūklas nepasiekia didž. aps./min.	Akumuliatoriaus kasetė netinkamai įdėta.	Akumuliatorių įdėkite, kaip aprašyta šiame vadove.
	Mažėja akumuliatoriaus galia.	Pakartotinai įkraukite akumuliatoriaus kasetę. Jei įkrauti nepavyksta, akumuliatoriaus kasetę pakeiskite.
	Netinkamai veikia pavaros sistema.	Dėl remonto darbų kreipkitės į regiono įgaliotąjį techninės priežiūros centrą.
Grandinė nesustoja net aktyvius grandinės stabdį. Nedelsdami sustabdykite įrankį!	Nusidėvėjo stabdžio juosta.	Dėl remonto darbų kreipkitės į regiono įgaliotąjį techninės priežiūros centrą.
Neįprasta vibracija. Nedelsdami sustabdykite įrankį!	Atsilaisvinusi pjovimo juosta arba pjūklo grandinė.	Pareguliuokite pjovimo juostos arba pjūklo grandinės įtempimą.
	Įrankio triktis.	Dėl remonto darbų kreipkitės į regiono įgaliotąjį techninės priežiūros centrą.
Negalima uždėti pjūklo grandinės.	Netinkamas pjūklo grandinės ir žvaigždutės derinys.	Naudokite tinkamą pjūklo grandinės ir žvaigždutės derinį, peržiūrėję skyrelyje technines sąlygas.

PASIRENKAMI PRIEDAI

⚠️ PERSPĖJIMAS: Šiuos papildomus priedus arba įtaisus rekomenduojama naudoti su šioje instrukcijoje nurodytu „Makita“ bendrovės įrankiu. Naudojant bet kokius kitus papildomus priedus arba įtaisus, gali kilti pavojus sužeisti žmones. Naudokite tik nurodytam tikslui skirtus papildomus priedus arba įtaisus.

Jei gu norite daugiau sužinoti apie tuos priedus, kreipkitės į artimiausią „Makita“ techninės priežiūros centrą.

- Pjūklo grandinė
- Pjovimo juosta
- Pjovimo juostos gaubtas
- Dildė
- Krepšys įrankiui
- Originalus „Makita“ akumuliatorius ir įkroviklis

⚠️ ĮSPĖJIMAS: Jei pirksite kitokio nei standartinę pjovimo juosta ilgio juostą, taip pat įsigykite tinkamą pjovimo juostos gaubtą. Jis turi užsidėti ir visiškai uždengti pjovimo juostą ant grandininio pjūklo.

PASTABA: Kai kurie sąraše esantys priedai gali būti pateikti įrankio pakuotėje kaip standartiniai priedai. Jie įvairiose šalyse gali skirtis.

TEHNILISED ANDMED

Mudel:	DUC307	DUC357	DUC407
Üldpikkus (ilma juhtlatita)	428 mm		
Nimipinge	Alalisvool 18 V		
Netokaal	*1		
	*2		
Standardse juhtlati pikkus	300 mm	350 mm	400 mm
Juhtlati soovitatav pikkus	300–400 mm		
Sobiv saeketi tüüp (vt alljärgnevat tabelit)	90PX		
Ketiratas	Hammaste arv	6	
	Samm	3/8"	
Keti kiirus	0–7,7 m/s (0–460 m/min)		
Ketiõli paagi mahutavus	150 cm ³		

- Meie pideva uuringu- ja arendusprogrammi tõttu võidakse tehnilisi andmeid muuta ilma sellest ette teatamata.
- Tehnilised andmed võivad riigiti erineda.
- *1: Kaal ilma saeketi, juhtlati, juhtlati katte, õli ja akukassetita.
- *2: Kergeima ja raskeima kaalu kombinatsioon EPTA-protseduuri 01/2014 kohaselt. Kaal võib erineda olenevalt lisaseadistest, kaasa arvatud akukassetid.

Saeketi, juhtlati ja ketiratta kombinatsioon

Saeketi tüüp	90PX			
Veolülide arv	46	52	56	
Juhtlatt	Juhtlati pikkus	300 mm	350 mm	400 mm
	Lõikepikkus	275 mm	330 mm	370 mm
	Samm	3/8"		
	Mõõdik	1,1 mm		
	Tüüp	Ketiratta otsa latt		
Ketiratas	Hammaste arv	6		
	Samm	3/8"		

⚠ HOIATUS: Kasutage juhtlati ja saeketi sobivat kombinatsiooni. Muidu võib tulemuseks olla kehavigastus.

Sobiv akukassett ja laadija

Akukassett	BL1830B / BL1840B / BL1850B / BL1860B
Laadija	DC18RC / DC18RD / DC18RE / DC18SD / DC18SE / DC18SF / DC18SH

- Mõned eespool loetletud akukassetid ja -laadijad ei pruugi olla teie riigis saadaval.

⚠ HOIATUS: Kasutage ainult ülalpool loetletud akukassette ja laadijaid. Muude akukassettide ja laadijate kasutamine võib tekitada vigastusi ja/või tulekahju.













Soovitatud juhtmega ühendatav toiteallikas

Portatiivne akukomplekt	PDC01
-------------------------	-------

- Eespool loetletud juhtmega ühendatavad toiteallikad ei pruugi olla teie riigis saadaval.
- Enne juhtmega ühendatava toiteallika kasutamist lugege juhiseid ja ettevaatusabinõusid.

Sümbolid

Alljärgnevalt kirjeldatakse tingimärke, mida võidakse seadmetel kasutada. Enne seadme kasutamist tehke endale selgeks nende tähendus.

	Lugege juhendit.
	Kandke kaitseprille.
	Kasutage kõrvakaitsmeid.
	Suurim lubatud löikepikkus
	Kettsaega töötamisel kasutage alati kahte kätt.
	Hoiduge kettsae tagasilöögi eest ja vältige kokkupuudet juhtlata otsaga.
	Ärge jätke seadet niiskuse kätte.
	Keti liikumise suund
	Saeketiõli reguleerimine
	Ainult EL-i riikide puhul Seadmes sisalduvate ohtlike osade tõttu võivad elektri- ja elektroonikaseadmete jäätmel, akud ja patareid avaldada negatiivset mõju keskkonnale ja inimeste tervisele. Elektri- ja elektroonikaseadmeid ega akusid ei tohi kõrvaldada koos olmejäätmetega! Euroopa elektri- ja elektroonikaseadmete jäätmel, akude ja patareide ning nende jäätmel direktiivi ja riiklikku õigusesse ülevõtmise kohaselt tuleb elektri- ja elektroonikaseadmete, akude ja patareide jäätmel koguda eraldi ning viia eraldiseisvasse olmejäätmete kogumispunkti, mis tegutseb kooskõlas keskkonnakaitse eeskirjadega. Sellele osutab seadmele paigaldatud läbikriipsutatud ratasestega prügikasti sümbol.
	Garanteeritud helivõimsustase ELi välis-tingimustes kasutatavate seadmete müra direktiivi kohaselt.
	Helivõimsustase Austraalia NSW müra-kontrolli määruse kohaselt

Kavandatud kasutus

Kettsaag on ette nähtud puidu lõikamiseks.

Müra

Tüüpiline A-korrigeeritud müratase, määratud standardi EN62841-4-1 kohaselt:

Mudel DUC307

Helirõhutase (L_{pA}): 86 dB (A)
Helivõimsuse tase (L_{WA}): 97 dB (A)
Määramatus (K): 3 dB (A)

Mudel DUC357

Helirõhutase (L_{pA}): 86 dB (A)
Helivõimsuse tase (L_{WA}): 97 dB (A)
Määramatus (K): 3 dB (A)

Mudel DUC407

Helirõhutase (L_{pA}): 86 dB (A)
Helivõimsuse tase (L_{WA}): 97 dB (A)
Määramatus (K): 3 dB (A)

MÄRKUS: Deklareeritud müra väärtust (väärtuseid) on mõõdetud kooskõlas standardse katsemetodiga ning seda võib kasutada ühe seadme võrdlemiseks teisega.

MÄRKUS: Deklareeritud müra väärtust (väärtuseid) võib kasutada ka mürataseme esmaseks hindamiseks.

⚠️ HOIATUS: Kasutage kõrvakaitsmeid.

⚠️ HOIATUS: Müratase võib elektritööriista tegevliikuses kasutamise ajal erineda deklareeritud väärtust(t)est olenevalt tööriista kasutusviisidest ja eriti töödeldavast toorikust.

⚠️ HOIATUS: Rakendage operaatori kaitsmiseks kindlasti piisavaid ohutusabinõusid, mis põhinevad hinnangulisel müratasemel tegelikus tööolusituatsioonis (võttes arvesse tööperioodi kõiki osasid, näiteks korrad, kui seade lülitatakse välja ja seade töötab tühikäigul, lisaks tööajale).

Vibratsioon

Vibratsiooni koguväärtus (kolmeteljeliste vektorite summa) määratud standardi EN62841-4-1 kohaselt:

Mudel DUC307

Töörežiim: puidu saagimine
Vibratsiooniheide ($a_{h,W}$): 5,4 m/s²
Määramatus (K): 1,5 m/s²

Mudel DUC357

Töörežiim: puidu saagimine
Vibratsiooniheide ($a_{h,W}$): 5,4 m/s²
Määramatus (K): 1,5 m/s²

Mudel DUC407

Töörežiim: puidu saagimine
Vibratsiooniheide ($a_{h,W}$): 5,4 m/s²
Määramatus (K): 1,5 m/s²

MÄRKUS: Deklareeritud vibratsiooni koguväärtust (-väärtuseid) on mõõdetud kooskõlas standardse katsemetodiga ning seda võib kasutada ühe seadme võrdlemiseks teisega.

MÄRKUS: Deklareeritud vibratsiooni koguväärtust (-väärtuseid) võib kasutada ka mürataseme esmaseks hindamiseks.

⚠️ HOIATUS: Vibratsioonitase võib elektritööriista tegelikkuses kasutamise ajal erineda deklareeritud väärtus(t)est olenevalt tööriista kasutusviisidest ja eriti töödeldavast toorikust.

⚠️ HOIATUS: Rakendage operaatori kaitsmiseks kindlasti piisavaid ohutusabinõusid, mis põhinevad hinnangulisel müratasemel tegelikus töösihtuolukorras (võttes arvesse tööperioodi kõiki osasid, näiteks korrad, kui seade lülitatakse välja ja seade töötab tühikäigul, lisaks tööajale).

EÜ vastavusdeklaratsioon

Ainult Euroopa riikide puhul

EÜ vastavusdeklaratsioon sisaldub käesoleva juhendi Lisas A.

OHUTUSHOIATUSED

Üldised elektritööriistade ohutushoiatused

⚠️ HOIATUS: Lugege läbi kõik selle elektritööriistaga kaasas olevad ohutushoiatused, juhised, joonised ja tehnilised andmed. Järgnevate juhiste eiramine võib põhjustada elektrilöögi, süttimise ja/või raske kehavigastuse.

Hoidke edaspidisteks viide- teks alles kõik hoiatused ja juhtnõid.

Hoiatuses kasutatud termini „elektritööriist“ all peetakse silmas elektriga töötavaid (juhtmega) elektritööriistu või akuga töötavaid (juhtmata) elektritööriistu.

Kettsae üldised ohutushoiatused

- Hoidke kõik kehaosad mootorsaest selle töö ajal eemal. Enne mootorsae käivitamist veenduge, et saag ei puutuks millegagi kokku.** Hetkeline tähelepanematus mootorsaega töötamise ajal võib põhjustada teie riiete või keha takerdumist saekettil.
- Hoidke alati mootorsaagi parema käega tagumisest käepidemest ja vasaku käega esimesest käepidemest.** Mootorsae hoidmine vastupidist käte asetust kasutades suurendab kehavigastuse ohtu ja nii ei tohiks kunagi toimida.
- Hoidke mootorsaagi ainult isoleeritud haardepindadest, sest saekett võib puutuda kokku peidetud juhtmetega.** Pingestatud juhtme lõikamisel saeketiga võib mootorsae katmata metallosad pingestuda, mille tagajärjel võib seadme kasutaja saada elektrilöögi.
- Kasutage silmakaitseid. Soovitatav on kasutada kuulmis-, pea-, käte-, säärite ja jalalabade lisakaitsevahendeid.** Kaitsevahendid vähendavad vigastuste ohtu juhuslikul kokkupuutel lendleva prahi või saeketiga.

- Ärge kasutage mootorsaagi puu otsas, redelil, katusel või ebastabiilsel pinnal.** Sellisel viisil mootorsae kasutamine võib lõppeda raskete kehavigastustega.
- Toetuge alati korralikule jalgealusele ja kasutage mootorsaagi ainult liikumatul, kindlal ja tasasel pinnal.** Libedad või ebastabiilsed pinnad võivad põhjustada tasakaalu või kontrolli kaotust mootorsae juhtimise üle.
- Pingul oleva puuharu lõikamiseks olge valus elastse järelmõju suhtes.** Kui pinge puu kiududes vabaneb, võib pingul olnud oks tööriista kasutajat ootamatult tabada ja/või sae kontrolli alt välja lüüa.
- Olge eriti ettevaatlik võsa ja noorte puude saagimisel.** Ohuke materjal võib kergesti puruneda ja piitsana teie poole lennata või teid tasakaalust välja lüüa.
- Kandke mootorsaagi väljalülitatud esikäepidemest ja oma kehast eemal hoides. Mootorsae transportimisel või hoiustamisel pange alati juhikule kate peale.** Mootorsae õige käsitsemine vähendab kokkupuute tõenäosust liikuva saeketiga.
- Järgige õlitamist, keti pingutamist ning lati ja keti vahetamist puudutavaid juhiseid.** Valesti pingutatud või õlitatud kett võib puruneda või suurendada tagasilöögiohtu.
- Lõigake ainult puitu. Ärge kasutage mootorsaagi selleks mitte mõeldud eesmärkidel.** Näiteks ärge kasutage mootorsaagi metalli, plasti, kivi või mitte puudust ehitusmaterjalide lõikamiseks. Mootorsae kasutamine selleks mitte ettenähtud tööde tegemiseks võib tekitada ohtliku olukorra.
- Ärge proovige puud langetada enne, kui olete mõistnud riske ja seda, kuidas neid vältida.** Puu langetamisel võivad nii kätajä jätkaja kui ka kõrvalseisjad raskest vigastusi saada.
- Tagasilöögi põhjusel ja operaatori tegevus selle vältimiseks.** Tagasilöök võib tekkida juhtlatti otsa või tera kokkupuutel esemega või kui saekett jääb puudus olevasse lõikekohta kinni. Otsa kokkupuude võib mõnel juhul põhjustada äkilise vastupidise reaktsiooni, paisates juhtlatti üles ja tagasi operaatori suunas. Saeketi kinnijäämine juhtlatti ülaoasas võib lükata juhtlatti kiiresti tagasi operaatori suunas. Kõik need reaktsioonid võivad põhjustada juhivahuse kaotamise mootorsae üle, mis võib tekitada raskest kehavigastusi. Ärge loote ainuüksi saagi integreeritud kaitseseadiste peale. Ketsae kasutajana peate võtma tarvitusele mitu abinõud, et vältida lõiketööde ajal õnnetusi ja vigastusi. Tagasilöök on mootorsae väärkasutuse ja/või ebaõigete tööoperatsioonide või -tingimuste tulemus, mida on võimalik vältida, kui järgida alljärgnevat asjakohaseid ettevaatusabinõusid.
 - Säilitage tugev haare, hoides mõlema käe põialde ja näppudega mootorsae käepidemest ning sättige oma keha ja käsi nii, et suudaksite vastu panna tagasilöögi jõule.** Vastavaid ettevaatusabinõusid kasutusele võttes on operaatoril võimalik kontrollida tagasilöögi jõudu. Ärge laske mootorsaast lahti.

► Joon.1

- **Ärge küünitage saagimisel liiga ette ega saagige olakõrgusest kõrgemalt.** Sel moel väldite soovimatuid kokkupuuteid saeteraga ja suudate mootorsaagi ootamatutes situatsioonides paremini kontrolli all hoida.
 - **Kasutage ainult tootja kinnitatud asendujuhtlatid ja saekette.** Valed asendujuhtlatid ja saeketid võivad põhjustada keti purunemist ja/või tagasilööki.
 - **Järgige tootja juhiseid kettsae teritamise ja hoolduse kohta.** Lõikesügavuse kõrguse vähendamine võib põhjustada suuremat tagasilööki.
14. **Järgige kõiki juhiseid ummistunud materjali eemaldamisel, mootorsae hooldamisel või hooldamisel. Veenduge, et lüliti oleks välja lülitatud ja aku eemaldatud.** Mootorsae ootamatu käivitumine kinnijäänud materjali eemaldamisel või hooldamisel võib põhjustada raskeid vigastusi.

Lisaohutusnõuded

Isikukaitsevahendid

1. Riietus peab olema liibuv, kuid ei tohi takistada liikumist.
2. Kandke töö ajal järgmist kaitseriietust:
 - Testitud kaitsekiiver, kui ohtu põhjustavad kukkuvad oksad või muu sarnane;
 - Näomask või kaitseprillid;
 - Sobivad kuulmiskaitsevahendid (kõrvklappid, tavalised või vormitavad kõrvatropid). Nõudmisel teostage mürataseme analüüs.
 - Kindlalt käespüsiavad nahast kaitsekindad;
 - Tugevast materjalist valmistatud pikad püksid;
 - Rebenemiskindlast materjalist valmistatud kaitsetunked;
 - Mittelibisevate taldadega, terasest ninakaitsetega ja rebenemiskindla voodriga kaitsekingad või -saapad;
 - Respiraator, kui teete tööd, mille käigus tekib tolm (nt kuiva puidu saagimine).

Kasutamine

1. **Enne töö alustamist kontrollige, kas kettsaag on töökorras ja kas selle seisund vastab ohutuseeskirjade nõuetele. Kontrollige eriti, kas:**
 - ketipidur töötab õigesti;
 - mahakäigupidur töötab õigesti;
 - juhtlati- ja ketikate on õigesti paigaldatud;
 - kett on teritatud ja pingutatud vastavalt eeskirjadele.
2. **Ärge käivitage kettsaagi, kui ketikate on peal.** Kui käivitate kettsaagi, mille ketikate on peal, võib ketikate selle tulemusena paiskuda ettepoole, põhjustades vigastusi ja kahjustades operaatore läheduses olevaid objekte.

Elektriohutus ja aku ohutu talitus

1. **Vältige ohtlikke piirkondi. Ärge kasutage seadet niisketes või märgades kohtades ega jätke seda vihma kätte.** Seadmesse sisse sattunud vesi suurendab elektrilöögiohtu.
2. **Ärge visake kasutatud akut (akusid) tulle.** Element võib plahvatada. Kasutatud akude käitlemise võimalikud erinõuded leiate kohalikest eeskirjadest.

3. **Akut (akusid) ei tohi avada ega kahjustada.** Väljavalgunud elektrolüüt on söövitava toimega ning võib kahjustada silmi ja nahka. See võib osutada allaneelamisel mürgiseks.
4. **Ärge laadige akut vihma käes ega märjas keskkonnas.**
5. **Ärge laadige akut välistingimustes.**
6. **Ärge käsitsese laadurit, sh laaduri pistikut ja laadimisterninala märgade kättega.**
7. **Ärge vahetage akut vihma käes.**
8. **Ärge vahetage akut märgade kättega.**
9. **Ärge jätke akut vihma kätte, samuti ärge laadige, kasutage ega hoiustage akut niiskes või märjas kohas.**
10. **Ärge tehke aku kontakte vee vm vedelikuga märjaks ega asetage akut vette.** Kui kontakt saab märjaks või vedelik tungib aku sisse, võib aku lühistuda ning tekkida ülekuumenemise, süttimise või plahvatuse oht.
11. **Pärast masinat või laadijast aku eemaldamist kinnitage akukate kindlasti akule ja pange aku kuiva kohta hoiule.**
12. **Akukassetti märjaks saamisel laske sellest välja ja pühkige kassetti seejärel kuiva lapiga.** Enne kasutamist laske akukassetil kuivas kohas täielikult kuivada.

HOIDKE JUHEND ALLES.

⚠ HOIATUS: ÄRGE UNUSTAGE järgida toote ohutusnõudeid mugavuse või toote (korduskasutamise saavutatud) hea tundmise tõttu. **VALE KASUTUS** võib kasutusjuhendi ohutuseeskirjade eiramine võib põhjustada tervisekahjustusi.

Akukassetiga seotud olulised ohutusjuhised

1. **Enne akukassetti kasutamist lugege (1) akulaadial, (2) akul ja (3) seadmel olevad juhtnõidrid ja hoiatused läbi.**
 2. **Ärge võtke akukassetti lahti ega muutke seda.** See võib põhjustada tulekahju, liigset kuumust või plahvatuse.
 3. **Kui tööaeg järsult lüheneb, siis lõpetage kohe kasutamine.** Edasise kasutamise tulemuseks võib olla ülekuumenemisoht, võimalikud põletused või isegi plahvatus.
 4. **Kui elektrolüüti satub silma, siis loputage silma puhta veega ja pöörduge koheselt arsti poole.** Selline õnnetus võib põhjustada pimedaksjäämist.
 5. **Ärge tekitage akukassetis lühist:**
 - (1) **Ärge puutuge klemme elektrijuhtidega.**
 - (2) **Ärge hoidke akukassetti tööriistakastis koos metallesemetega, nagu naelad, mündid jne.**
 - (3) **Ärge tehke akukassetti märjaks ega jätke seda vihma kätte.**
- Aku lühis võib põhjustada tugevat elektrivoolu, ülekuumenemist, põletusi ning ka seadet tõsiselt kahjustada.**
6. **Ärge hoidke ega kasutage tööriista ja akukassetti kohtades, kus temperatuur võib tõusta üle 50 °C (122 °F).**

7. Ärge põletage akukasseti isegi siis, kui see on saanud tõsiselt vigastada või on täiesti kulu- nud. Akukassetit võib tules plahvatada.
8. Ärge naelutage, löigake, muljuge, visake aku- kasseti ega laske sel kukkuda, samuti ärge lööge selle pihta kõva esemega. Selline tegevus võib põhjustada tulekahju, liigset kuumust või plahvatuse.
9. Ärge kasutage kahjustatud akut.
10. Sisalduvatele liitium-ioonakudele võivad kohalduda ohtlike kaupade õigusaktide nõu- ded.
Kaubanduslikul transportimisel, näiteks kolman- date poolte või transpordiettevõtete poolt, tuleb järgida pakendil ja siltidel toodud erinõudeid. Transportimiseks ettevalmistamisel on vajalik pidada nõu ohtliku materjali eksperdigaga. Samuti tuleb järgida võimalike riiklike regulatsioonide üksikasjalikumaid nõudeid.
Katke teibiga või varjake avatud kontaktid ja pakendage aku selliselt, et see ei saaks pakendis lihkuda.
11. Kasutuskõlbmatuks muutunud akukasseti kõrvaldamiseks eemaldage see tööriistast ja viige selleks ette nähtud kohta. Järgige kasu- tuskõlbmatuks muutunud aku kõrvaldamisel kohalikke eeskirju.
12. Kasutage akusid ainult Makita heaks kiidetud toodetega. Akude paigaldamine selleks mitte ettenähtud toodetele võib põhjustada süttimist, ülemäära kuumust, plahvatamist või elektrilöödi lekkimist.
13. Kui tööriista ei kasutata pika ajaperioodi jook- sul, tuleb aku tööriistast eemaldada.
14. Kasutamise ajal ja pärast kasutamist võib akukassetit kuumeneda, mis võib põhjustada põletusi või madala temperatuuri põletusi. Olge kuuma akukasseti kandmisel ettevaatlik.
15. Ärge puudutage tööriista klemmi kohe pärast kasutamist, sest see võib olla kuum ja põhjus- tada põletusi.
16. Hoidke akukasseti klemmid, avad ja sooned tükikestest, tolmust ja mullast puhtad. See võib põhjustada tööriista või aku ülekuumenemist, süttimist, purunemist ja talitlushäireid, mis võib lõppeda põletuste või kehavigastustega.
17. Kui tööriist ei kannata kasutamist kõrgepin- geliinide lähedal, ärge kasutage akukasseti kõrgepingeliinide lähedal. Muidu võib tööriist või akukassetit puruneda või sellel tõrge tekkida.
18. Hoidke akut lastele kättesaamatult.

HOIDKE JUHEND ALLES.

⚠ETTEVAATUST: Kasutage ainult Makita originaalakusid. Mitte Makita originaalakude või muudetud akude kasutamine võib põhjustada akude süttimise, kehavigastuse ja kahjustuse. Samuti muu- dab see kehtetuks Makita tööriista ja laadija Makita garantii.

Vihjeid aku maksimaalse kasu- tusaja tagamise kohta

1. Laadige akukasseti enne selle täielikku tühjenemist. Kui märkate, et tööriist töötab väiksema võimsusega, peatage töö ja laadige akukasseti.
2. Ärge laadige täielikult laetud akukasseti. Ülelaadimine lühendab akude kasutusiga.
3. Laadige akukasseti toatemperatuuril 10 °C - 40 °C. Enne laadimist laske kuumenenud aku- kassetil maha jahtuda.
4. Kui te ei kasuta parajasti akukasseti, eemal- dage see tööriistast või laadurist.
5. Kui te ei kasuta akukasseti kauem kui kuus kuud, laadige see.

OSADE KIRJELDUS

► Joon.2

1	Eesmine käekaitse	2	Hoob	3	Juhtlatt
4	Saekett	5	Juhtlati kate	6	Lukust avamise nupp
7	Tagumine käepide	8	Lüliti päästik	9	Akukasset
10	Eesmine käepide	11	Õlipaagi kork	12	Terakaitse
13	Ketipüüdjä	14	Regulaatorketas	-	-

FUNKTSIONAALNE KIRJELDUS

⚠ETTEVAATUST: Kandke alati hoolt selle eest, et tööriist oleks enne reguleerimist ja kontrollimist välja lülitatud ja akukassett eemaldatud.

Akukasseti paigaldamine või eemaldamine

⚠ETTEVAATUST: Lülitage tööriist alati enne akukasseti paigaldamist või eemaldamist välja.

⚠ETTEVAATUST: Akukasseti paigaldamisel või eemaldamisel tuleb tööriista ja akukassetti kindlalt paigal hoida. Kui tööriista ja akukassetti ei hoita kindlalt paigal, võivad need käest libiseda ning kahjustada tööriista ja akukassetti või põhjustada kehavigastusi.

► **Joon.3:** 1. Punane näidik 2. Nupp 3. Akukassett

Akukasseti eemaldamiseks libistage see tööriista küljest lahti, vajutades kasseti esiküljel paiknevat nuppu alla.

Akukasseti paigaldamiseks joondage akukasseti keel korpuse soonega ja libistage kassett oma kohale. Sisestage see terve-nisti, kuni see lukustub klõpsuga oma kohale. Kui näete joonisel näidatud punast näidikut, pole see täielikult lukustunud.

⚠ETTEVAATUST: Paigaldage akukassett alati täies ulatuses nii, et punast osa ei jääks näha. Muidu võib adapter juhuslikult tööriistast välja kukkuda ning põhjustada teile või läheduses viibivatele isikutele vigastusi.

⚠ETTEVAATUST: Ärge rakendage akukasseti paigaldamisel jõudu. Kui kassett ei lähe kergesti sisse, pole see õigesti paigaldatud.

Aku jääkmahutavuse näit

Ainult näidikuga akukassettidele

► **Joon.4:** 1. Märgulambid 2. Kontrollimise nupp

Akukasseti järelejäänud mahutavuse kontrollimiseks vajutage kontrollimise nuppu. Märgulambid süttivad mõneks sekundiks.

Märgulambid			Jääkmahutavus
Pöleb	Ei põle	Vilgub	
			75 - 100%
			50 - 75%
			25 - 50%
			0 - 25%
			Laadige akut.
			Akul võib olla tõrge.

MÄRKUS: Näidatud mahutavus võib veidi erineda tegelikust mahutavusest olenevalt kasutustingimustest ja ümbritseva keskkonna temperatuurist.

MÄRKUS: Esimene (taga vasakul asuv) märgutuli vilgub, kui akukaitsesüsteem töötab.

Tööriista/aku kaitsesüsteem

Tööriist on varustatud tööriista või aku kaitsesüsteemiga. Süsteem lülitab mootori automaatselt välja, et pikendada tööriista ja aku tööiga. Tööriist seiskub käitamisajal automaatselt, kui tööriista või aku kohta kehtib üks järgmistest tingimustest.

Ülekoormuskaitse

Kui tööriist või aku hakkab kasutamise käigus tarbima ebaharilikult palju voolu, seiskub tööriist automaatselt. Sel juhul lülitage tööriist välja ja lõpetage tööriista ülekoormuse põhjustanud töö. Pärast seda käivitage tööriist uuesti.

Ülekuumenemiskaitse

Tööriista või aku ülekuumenemisel seiskub tööriist automaatselt. Laske sellisel juhul tööriistal ja akul enne tööriista uuesti sisselülitamist jahtuda.

MÄRKUS: Kõrge temperatuuriga keskkonnas hakkab tööriistil töötama ülekuumenemise kaitse ja tööriist peatub automaatselt.

Ülelaadimiskaitse

Kui aku laetuse tase ei ole piisav, seiskub tööriist automaatselt. Sellisel juhul eemaldage aku seadmest ja laadige täis.

Kaitse muude olukordade eest

Kaitsesüsteem on mõeldud ka muude olukordade jaoks, mis võivad tööriista kahjustada, ja võimaldab tööriistal automaatselt seiskuda. Kui tööriist on ajutiselt peatatud või seiskunud, toimige põhjuste kõrvaldamiseks järgnevalt.

1. Lülitage tööriist välja ja seejärel taaskäivitamiseks uuesti sisse.
2. Laadige akut (akusid) või asendage laetud aku(de)ga.
3. Laske masinal ja aku(de)l jahtuda.

Kui kaitsesüsteemi taastamisega ei õnnestu olukorda parandada, võtke ühendust kohaliku Makita hoolduskeskusega.

TÄHELEPANU: Kui tööriist on seiskunud põhjusel, mida eespool pole kirjeldatud, lugege tõrkeotsingu jaotist.

Lüliti funktsioneerimine

⚠️HOIATUS: Teie ohutuse tagamiseks on tööriist varustatud lukust avamise nupuga, mis hoiab ära tööriista ettekavatsemata käivitamise. Ärge kunagi kasutage tööriista, kui see käivitub lüliti päästiku vajutamisel ilma lukust avamise nuppu vajutamata. Pöörduge remontimiseks kohalikkude Makita hoolduskeskusesse.

⚠️HOIATUS: Ärge kunagi inaktiveerige lukustufunktsiooni ega teipige kinni lukust avamise nuppu.

⚠️ETTEVAATUST: Kontrollige alati enne akukasseti tööriista külge paigaldamist, kas lüliti päästik funktsioneerib nõuetekohaselt ja liigub lahtilaskmisel tagasi väljalülitatud asendisse.

TÄHELEPANU: Ärge vajutage jõuga lüliti päästikut ilma lukust avamise nuppu vajutamata. Lüliti võib puruneda.

► **Joon.5:** 1. Lukust avamise nupp 2. Lüliti päästik

Lüliti päästiku juhusliku tõmbamise vältimiseks on tööriistal lukust avamise nupp. Tööriista käivitamiseks vajutage lukust avamise nuppu alla ja tõmmake lüliti päästikut. Seiskamiseks vabastage lüliti päästik.

Ketipiduri kontrollimine

⚠️ETTEVAATUST: Hoidke kettsaagi sisselülitamisel mõlema käega. Hoidke parema käega tagumisest käepidemest ja vasaku käega eesmisest käepidemest. Latt ja kett ei tohi ühegi eseme vastu puutuda.

⚠️ETTEVAATUST: Kui saekett selle testi läbi viimisel silmapilkselt ei peatu, ei tohi saagi mitte mingil tingimusel kasutada. Pöörduge volitatud teeninduskeskuse poole.

1. Vajutage lukust avamise nuppu, seejärel tõmmake lüliti päästikut. Saekett käivitub kohe.

2. Vajutage eesmist kätekaitset käeselja abil ettepoole. Kontrollige, kas saekett jääb kohe seisma.

► **Joon.6:** 1. Eesmine käekaitse 2. Lukustamata asend 3. Lukustatud asend

Mahakäigupiduri kontrollimine

⚠️ETTEVAATUST: Kui saekett ei seisku selles testis ühe sekundi jooksul, seisake kettsaag ja pidage nõu volitatud teeninduskeskusega.

Laske saeketil käia ja vabastage seejärel lüliti päästik täielikult. Saekett peab sekundi jooksul seiskuma.

KOKKUPANEK

⚠️ETTEVAATUST: Kandke alati hoolt selle eest, et tööriist oleks enne igasuguseid hooldustöid välja lülitatud ja akukassett eemaldatud.

⚠️ETTEVAATUST: Ärge puudutage saeketti paljaste kätega. Kandke saeketi käsitlemisel alati kaitsekindaid.

Saeketi paigaldamine või eemaldamine

⚠️ETTEVAATUST: Pärast töötamist on saekett ja juhtlatt endiselt kuumad. Enne mis tahes tööde teostamist tööriistal laske nendel piisavalt maha jahtuda.

⚠️ETTEVAATUST: Paigaldage ja eemaldage saekett alati puhtas kohas, kus ei ole saepuru ega midagi muud sarnast.

Saeketi paigaldamine

Saeketi paigaldamiseks toimige järgmiselt.

1. Vabastage ketipidur, tõmmates eesmist käekaitset.

2. Tõmmake hooba üles, vajutades samas selle serva.

► **Joon.7:** 1. Hoob

3. Keerake hooba vastupäeva kuni ketiratta kate maha tuleb.

► **Joon.8:** 1. Hoob 2. Ketiratta kate

4. Eemaldage ketiratta kate.

5. Kontrollige saeketi suunda. Saeketi suund peab vastama kettsae korpusel olevale märgile.

► **Joon.9:** 1. Märgistus kettsae korpusel

6. Asetage saeketi üks ots juhtlatti tippu.

7. Paigaldage saeketi teine ots ümber ketiratta ja kinnitage juhtlatt seejärel kettsae korpusel.

► **Joon.10:** 1. Ketiratas

8. Selleks, et libistada reguleerimistihvti noole suunas, keerake regulaatorketast suunas „–“.

► **Joon.11:** 1. Regulaatorketas 2. Reguleerimistihvt

9. Paigaldage ketiratas saeketile nii, et reguleerimistihvt paikneks juhtlatti väikeses augus.

► **Joon.12:** 1. Ketiratta kate 2. Juhtlatt 3. Ava

10. Keerake hoob täielikult päripäeva ja seejärel veidi tagasi, et ketipinge reguleerimiseks jääks lõtk.

11. Reguleerige ketipinge. Vt saeketi pingereguleerimise jaotist.

12. Pöörake hooba päripäeva, kuni ketiratta kate on kinni, ja tooge seejärel algasendisse tagasi.

► **Joon.13:** 1. Hoob 2. Ketiratta kate

Saeketi eemaldamine

Saeketi eemaldamiseks toimige järgmiselt.

1. Vabastage ketipidur, tõmmates eesmist käekaitset.
2. Saeketi pingsuse vähendamiseks keerake regulaatorketast suunas „-“.
► **Joon.14:** 1. Regulaatorketas
3. Tõmmake hooba üles, vajutades samas selle serva.
► **Joon.15:** 1. Hoob
4. Keerake hooba vastupäeva kuni ketiratta kate maha tuleb.
► **Joon.16:** 1. Hoob 2. Ketiratta kate
5. Eemaldage ketiratta kate; seejärel eemaldage kettsae korpusest saekett ja juhtlatti.

Saeketi pingsuse reguleerimine

⚠ETTEVAATUST: Paigaldage ja eemaldage saekett alati puhtas kohas, kus ei ole saepuru ega midagi muud sarnast.

⚠ETTEVAATUST: Ärge saeketti üle pingutage. Saeketi liigne pingsus võib põhjustada saeketi purunemise, juhtlatti kulumise ja regulaatorketta purunemise.

⚠ETTEVAATUST: Liiga lõtv kett võib latil maha tulla ja põhjustada kehavigastusega õnnetusjuhtumi.

Tundidepikkuse kasutamise järel võib saekett lõdveneda. Enne kasutamist kontrollige aeg-ajalt saeketi pingsust.

1. Tõmmake hooba üles, vajutades samas selle serva.
► **Joon.17:** 1. Hoob
 2. Ketiratta katte kergeks lõdvendamiseks keerake hooba veidi vastupäeva.
► **Joon.18:** 1. Hoob 2. Ketiratta kate
 3. Tõstke juhtlatti ots kergelt üles ja reguleerige keti pingsust. Pöörake regulaatorketast lõdvendamiseks suunas „-“ ja pingutamiseks suunas „+“. Pingutage saeketti, kuni saeketi alumine külj asetub joonisel näidatud moel juhtlatti juhikusse.
► **Joon.19:** 1. Regulaatorketas 2. Juhtlatti 3. Saekett
 4. Jätka kergelt juhtlatti toetamist ning pingutage ketiratta kate. Veenduge, et saekett ei oleks alumisel küljel lõtv.
 5. Viige hoob tagasi algasendis.
- Veenduge, et saekett asetuks tihedalt vastu juhtlatti alumist külge.

TÖÖRIISTA KASUTAMINE

Õlitamine

⚠ETTEVAATUST: Ärge kasutage kettsaagi, kui paak on tühi. Lisage õli õigel ajal, enne paagi tühjenemist.

⚠ETTEVAATUST: Vältige õli sattumist nahale ja silma. Silma sattunud õli tekitab ärritust. Kui õli satub silma, loputage silma viivitamatult puhta veega ning pöörduge kohe arsti poole.

⚠ETTEVAATUST: Ärge kasutage vana õli. Vana õli sisaldab kantserogeenseid aineid. Vanas õlis sisalduvad saasteained põhjustavad õlipumba, juhtlatti ja keti kiiremat kulumist. Kasutatud õli kahjustab keskkonda.

TÄHELEPANU: Mootorsae esmakordsel kasutamisel võib kuluda kuni kaks minutit, enne kui avaldub ketiõli saemehhanismi õlitav toime. Laske sael seni koormuseta töötada.

TÄHELEPANU: Esmakordsel ketiõliga täitmisel või täiesti tühjenenud paagi taastäitmisel lisage õli täitekaela alumise ääreni. Vastasel korral võib õliga varustamine olla häiritud.

TÄHELEPANU: Kasutage spetsiaalselt Makita jaoks mõeldud saeketiõli või sellega võrdväärset turul saada olevat õli.

TÄHELEPANU: Ärge kunagi kasutage tolmust või prügist õli ega lenduvat õli.

TÄHELEPANU: Puude kärpimisel kasutage botaanilist õli. Mineraalõli kahjustab puud.

TÄHELEPANU: Veenduge enne lõikamist, et komplekti õlipaagi kork oleks kohale keeratud.

Saeketti õlitatakse tööriista kasutamise ajal automaatselt. Kontrollige regulaarselt õlipaagis allesoleva õli kogust õlikontrolli avast.

► **Joon.20:** 1. Õlipaagi kork 2. Õlikontrolli ava

Õli lisamiseks toimige järgmiselt.

1. Puhastage paagi korgi ümbrus korralikult, et vältida mustuse sattumist õlipaaki.
2. Pange mootorsaa külili ja eemaldage õlipaagi kork.
3. Täitke õlipaak õliga. Õige õlikogus on 150 ml.
4. Kruvige paagi kork korralikult tagasi oma kohale.
5. Pühkige õlipritsmed hoolikalt ära.

MÄRKUS: Kui õlipaagi korki on raske eemaldada, sisestage õlipaagi korgi soonde lapikruvikeeraja ja eemaldage seejärel õlipaagi kork, keerates seda vastupäeva.

► **Joon.21:** 1. Soon 2. Lapikruvikeeraja

Pärast täitmist hoidke kettsaag puust eemal. Käivitage saag ja oodake, kuni saekett on piisavalt õlitatud.

► **Joon.22**

Kettsaega töötamine

⚠ETTEVAATUST: Seadme esmakordsel kasutamisel tuleks miinimumnõuete täitmiseks kasutada palkide lõikamiseks saepukki või -raami.

⚠ETTEVAATUST: Eelnevalt tükeldatud puidu saagimisel kasutage turvalist alust (saepukk vm alus). Saetavat puitu ei tohi hoida kinni jalaga ega lasta seda kinni hoida teisel inimesel.

⚠ETTEVAATUST: Ümarpuit tuleb saagimise ajaks kinnitada.

⚠ETTEVAATUST: Hoidke mootori töötamise ajal kõik oma kehaosad saeketist eemal.

⚠ETTEVAATUST: Hoidke kettsaagi mootori töötamise ajal tugevasti mõlema käega.

⚠ETTEVAATUST: Ärge küünitage liiga kaugele ette. Hoidke kogu aeg jalad kindlalt maas ning hoidke tasakaalu.

TÄHELEPANU: Ärge visake tööriista ega laske sel maha kukkuda.

TÄHELEPANU: Ärge katke kinni tööriista ventilatsiooniasiasid.

Enne sae sisselülitamist pange kettsae korpuse alumine serv vastu lõigatavat oksa. Vastasel juhul võib see juhtlatti loperdama panna, mille tagajärjeks võib olla operaatori kehavigastus. Saagige lõigatavat oksa, liigutades saagi alla vaid tema enda raskuse jõul.

► Joon.23

Kui teil ei õnnestu puitu ühe saagiskorraga läbi lõigata. Avaldage käepidemele kergert survet ja jätkake saagimist, tõmmates kettsaagi pisut tagasi, seejärel rakendage saehambaid pisut madalamal ja lõpetage käepidemest tõstes lõige.

► Joon.24

Läbisaagimine

1. Toetage kettsae korpuse alumine äär vastu lõigatavat puud.

► Joon.25

2. Saagige töötava saeketiga puusse, kasutades eea töstmiseks tagumist käepidet ja sae suunamiseks eesmist käepidet. Kasutage pöördteljena piiktuge.

3. Jätkake lõikamist, avaldades eesmisele käepidemele kergert survet ja lastes saagi pisut tagasi. Lükake piiktuge sügavamale puitu ja tõstke uuesti eesmist käepidet.

TÄHELEPANU: Mitme lõike tegemisel lülitage kettsaag lõigete vahel välja.

⚠ETTEVAATUST: Kui lõikamisel kasutatakse lati ülaserava, siis võib kettsaag kinnikiilumise korral kasutaja suunas kalduda. Sel põhjusel lõigake alumise servaga, et saag kalduks kinnikiilumise korral teie kehast eemale.

► Joon.26

Lõigates pinge all olevat puitu, lõigake esmalt survet all olevat külge (A). Siis sooritage lõplik lõige pinges olevalt küljelt (B). See hoiab ära lati kinnikiilumise.

► Joon.27

Okste laasimine

⚠ETTEVAATUST: Okste laasimist tohivad teha ainult vastava väljaõppega isikud. Siin on ohuks võimalik tagasilöökk.

Okste laasimise toetage kettsaag võimalusel puutüvele. Ärge lõigake lati tipuga, kuna see tekitab tagasilöögi ohu.

Olge eriti tähelepanelik pinge all olevate okste suhtes. Ärge lõigake toetamata oksti altpoolt.

Ärge seiske okste laasimise ajal langetatud puu tüvel.

Uuristamine ja puusüüjoontega paralleelsed lõiked

⚠ETTEVAATUST: Uuristamist ja puusüüjoontega paralleelset lõikamist tohivad teha ainult vastava väljaõppega isikud. Võimaliku tagasilöögi tõttu on oht vigastada saada.

Tehke puusüüjoontega paralleelset lõikamist võimalikult väikese nurga all. Olge lõikamisel eriti ettevaatlik, kuna piiktuge ei ole võimalik kasutada.

► Joon.28

Langetamine

⚠ETTEVAATUST: Langetamist tohivad teha ainult vastava väljaõppega isikud. See on ohtlik töö.

Kui soovite puud langetada, järgige kohalikke eeskirju.

► Joon.29: 1. Langetamispiirkond

— Enne langetama asumist veenduge, et:

- läheduses viibiks ainult langetamisega seotud isikud;
- kõikidel osalevatel isikutel oleks tõkestamata taganemistee ligikaudu 45° ulatuses kummaldi pool puutüve langemisuurka. Lisaks arvestage ka langetatava puu elektriliinidele kukkumise ohuga;
- langetatava puu kättsuosa oleks vaba võõrkehast, juurtest ja okstest;
- langetatava puu kukkumise suunas ei oleks ükski isik ega objekt lähemal kui 2/12 puu pikkust.

— Arvestage iga langetatava puu osas järgmist:

- kaldenurk;
- lahtised või kuivanud oksad;
- puu kõrgus;
- võra;
- kas puu on mädanenud.

— Arvestage tuule kiiruse ja suunaga. Tugevate tuulepuhangute korral ärge langetama asuge.

— Juurekõhmade kärpimine: alustage suurematest kõhudest. Sooritage esmalt vertikaalne, seejärel horisontaalne lõige.

— Seisake langeva puu kõrvale. Hoidke langeva puu tagune ruum 45° ulatuses kummaldi pool kukkumisuurka puhtana (vt joonist „langetamispiirkond“). Olge tähelepanelik kukkuvate okste suhtes.

- Enne saagimise algust peaks vajadusel planeerima taganemistee ja selle takistustest vabastama. Taganemistee peaks suunduma langetamise liinist tahapoole, oodatavast langetamise suunast diagonaalselt vastassuunas, nagu joonisel näidatud.
- **Joon.30:** 1. Langetamissuund 2. Ohupiirkond 3. Pögenemistee

Puid langetades tegutsege järgmiselt.

1. Tehke viltune lõige võimalikult maapinna lähedalt. Tehke esmalt horisontaalne lõige sügavusega 1/5–1/3 puutüve läbimõõdust. Ärge lõigake liiga viltu. Seejärel tehke diagonaalne lõige.

► **Joon.31**

MÄRKUS: Viltune lõige määrab puu langemise suuna ning suunab seda. Selline lõige tehakse sellel küljel, millele puud langetada soovitakse.

2. Viltusel lõikamisel tehke tagumine lõige pisut kõrgemale kui põhilõige. Tagumine lõige peab olema täiesti horisontaalne. Jätke tagumise lõike ja viltuse lõike vahele ruum, mis vastab ligikaudu 1/10 puutüve läbimõõdust. Puidukiud puutüve lõikamata osas toimivad hingena. Sisestage kiilud viltusesse langetuslõikesse õigeaegselt.

► **Joon.32**

⚠HOIATUS: Ärge mitte mingil juhul lõigake otse läbi kiudude. Vastasel juhul võib puu kukkuda täiesti kontrollimatult.

TÄHELEPANU: Langetuslõike avatuna hoidmiseks võib kasutada ainult plast- või alumiiniumkiilusid. Rauast kiilude kasutamine on keelatud.

Tööriista kandmine

Enne tööriista kandmist rakendage alati ketipidur ja eemaldage tööriistalt akukassett. Seejärel kinnitage juhtlati kate. Katke akukassett samuti akukattega.

► **Joon.33:** 1. Juhtlati kate 2. Akukate

HOOLDUS

⚠ETTEVAATUST: Enne kontroll- või hooldustoimingute tegemist kandke alati hooft selle eest, et tööriist oleks välja lülitatud ja akukassett korpuse küljest eemaldatud.

⚠ETTEVAATUST: Tööriista kontrollimisel ja hooldustööde tegemisel kandke alati kindaid.

TÄHELEPANU: Ärge kunagi kasutage bensiini, vedelid, alkoholi ega midagi muud sarnast. Selle tulemuseks võib olla luitumine, deformatsioon või pragunemine.

Toote OHUTUSE ja TÖÖKINDLUSE tagamiseks tuleb vajalikud remonttööd ning muud hooldus- ja reguleerimistööd lasta teha Makita volitatud teeninduskeskustes või tehase teeninduskeskustes. Alati tuleb kasutada Makita varuosi.

Saeketi teritamine

Teritage saeketti siis, kui:

- niiske puidu saagimisel tekib jahune saepuru;
- kett läbibast puitu raskustega isegi tugeva surve avaldamisel;
- lõikeserval on silmnähtavad vigastused;
- saag kisub puidus paremale või vasakule (seda põhjustab saeketi ebaühtlane teritatus või ainult ühe külje vigastus).

Teritage saeketti sagedasti, kuid ainult natukese haaval. Rutiinsel teritamisel piisab enamasti kahest või kolmest viilitõmbest. Pärast saeketi mitmekordset teritamist laske seda teritada meie volitatud teeninduskeskuses.

Teritamiskriteeriumid

⚠HOIATUS: Lõikeserva ja sügavuspiiraja vaheline liiga suur vahemaa suurendab tagasilöögi ohtu.

► **Joon.34:** 1. Lõikuri pikkus 2. Lõikeserva ja sügavuspiiraja vahemaa 3. Lõikuri minimaalne pikkus (3 mm)

- Kõik lõikurid peavad olema võrdse pikkusega. Erineva pikkusega lõikurid takistavad sae sujuvat jooksu ning võivad põhjustada saeketi purunemise.
- Ärge teritage ketti, kui lõikuri pikkus on 3 mm või lühem. Kett tuleb vahetada uue vastu.
- Laastu paksus määratakse sügavuse piiraja (ümar nina) ja lõikeserva vahelise kauguse alusel.
- Parim lõiketulemus saadakse, kui vahemaa lõikeserva ja sügavuse piiraja vahel on järgmine.
 - Saetera 90PX : 0,65 mm

► **Joon.35**

- Teritamisnurk 30° peab olema kõikidel lõikuritel ühesugune. Erinevad lõikurinurgad raskendavad sae jooksu ja muudavad selle ebaühtlaseks, kiirendavad kulumist ja viivad keti purunemiseni.
- Kasutage sobivat ümarviili, et tagada hammaste suhtes õige teritamisnurk.
 - Saetera 90PX: 55°

Viil ja viiljuhik

- Kasutage keti teritamiseks spetsiaalselt saekettidele mõeldud ümarviili (lisatarvik). Tavalised ümarviilid ei sobi.
- Eri saekettide puhul kasutatavate ümarviilide diameetrid on järgmised.
 - Saetera 90PX : 4,5 mm
- Viil peaks puutuma vastu lõikurit ainult tõuke ajal. Tagasitõmbe ajaks tõstke viil lõikuri pealt üles.
- Teritage esmalt kõige lühemat lõikurit. Seejärel määrab lühima lõikuri pikkus saeketi kõigi ülejäänud lõikurite pikkuse.
- Viilige joonisel näidatud moel.

► **Joon.36:** 1. Viil 2. Saekett

- Viili käsitlemine on hõlpsam, kui kasutada viilihoidikut (lisatarvik). Viilihoidikul on markeeringud õige teritamisnurga 30° leidmiseks (seadke markeeringud saeketiga paralleelselt ühele jonele) ja läbistussügavuse piiri tähised (kuni 4/5 viili läbimõõdust).

► **Joon.37:** 1. Viilihoidik

- Pärast keti teritamist kontrollige ketipiiraja (lisatarvik) abil sügavuse piiraja kõrgust.

► **Joon.38**

- Eemaldage spetsiaalse lameviiliga (lisatarvik) kõik väljaulatuvad osad, ükskõik kui väikesed need ka poleks.
- Ümardage uuesti sügavuse piiraja esiosa.

Juhtlati puhastamine

Juhtlati soonde kogunevad laastud ja saepuru. Need võivad lati soone ummistada ja takistada õli liikumist. Saeketi teritamisel või vahetamisel eemaldage alati ka laastud ja saepuru.

► **Joon.39**

Ketiratta kate puhastamine

Ketiratta kate sisse kogunevad saepuru ja laastud. Eemaldage ketiratta kate ja saekett tööriistalt ja puhastage seejärel saepurust ja laastudest.

► **Joon.40**

Õli väljalaskeava puhastamine

Töö käigus võib tühjendusavasse koguneda tolmu ja väikesed osakesi. Selline tolm ja väikesed osakesed võivad häirida õli voolu ja põhjustada terve saeketi ebapiisavat õlitatust. Kui juhtlati tipu õliga varustus häirub, siis puhastage õli väljalaskeava järgmisel moel.

1. Eemaldage tööriistalt ketiratta kate ja saekett.
2. Eemaldage tolm või väikesed osakesed lapikruvikeeraja vms abil.

► **Joon.41:** 1. Lapikruvikeeraja 2. Õli väljalaskeava

3. Pange akukassett tööriista sisse. Tõmmake lüliti päästikut, et lasta korjunud tolmul ja osakestel õli tühjendusava kaudu koos väljalastava õliga välja voolata.

4. Eemaldage akukassett tööriista küljest. Paigaldage ketiratta kate ja saekett tööriistale tagasi.

Ketiratta vahetamine

⚠ETTEVAATUST: Kulunud ketiratas kahjustab uut saeketti. Sellisel juhul laske ketiratas välja vahetada.

Enne uue saeketi paigaldamist kontrollige ketiratta seisukorda.

► **Joon.42:** 1. Ketiratas 2. Kuluvad piirkonnad

Ketiratta vahetamisel paigaldage alati uus lukustusrõngas.

► **Joon.43:** 1. Lukustusrõngas 2. Ketiratas

TÄHELEPANU: Veenduge, et ketiratas paigaldaks alati joonisel näidatud viisil.

Masina hoiundamine

1. Puhastage tööriist enne hoiulepanekut. Eemaldage tööriistast pärast ketiratta kate eemaldamist kõik laastud ja saepuru.
2. Pärast tööriista puhastamist laske sel saeketi ja juhtlati õlitamiseks tühjalt töötada.
3. Katke juhtlatt juhtlati kattega.
4. Tühjendage õlipaak.

Regulaarne hooldus

Selleks, et tagada sae pikk kasutusiga, hoida ära selle rikked ning tagada ohutu töötamine, tuleb regulaarselt teha järgmisi hooldustöid. Seadme garantii kehtib üksnes juhul, kui nimetatud töid on tehtud regulaarselt ja nõuetekohaselt. Nende hooldustööde tegemata jätmise suurendab õnnetuste ohtu! Ketsae kasutaja tohib teha ainult käesolevas kasutusjuhendis kirjeldatud hooldustöid. Kõik sellised tööd tuleb lasta teha volitatud teeninduskeskuses.

Kontrollitav objekt / töötamisae		Enne kasutamist	Iga päev	Iga nädal	Iga 3 kuu tagant	Iga aasta	Enne hoiule panemist
Kettsaag	Ülevaatamine.	✓	-	-	-	-	-
	Puhastamine.	-	✓	-	-	-	-
	Kontrollige volitatud teeninduskeskuses.	-	-	-	-	✓	✓
Saekett	Ülevaatamine.	✓	-	-	-	-	-
	Teritamine vastavalt vajadusele.	-	-	-	-	-	✓
Juhtlatt	Ülevaatamine.	✓	✓	-	-	-	-
	Eemaldage kettsaelt.	-	-	-	-	-	✓
Ketipidur	Kontrollige toimimist.	✓	-	-	-	-	-
	Laske volitatud teeninduskeskuses regulaarselt üle vaadata.	-	-	-	✓	-	-
Keti õlitamine	Kontrollige õli etteandemäära.	✓	-	-	-	-	-
Lüliti päästik	Ülevaatamine.	✓	-	-	-	-	-
Lukust avamise nupp	Ülevaatamine.	✓	-	-	-	-	-
Õlipaagi kork	Kontrollige pingsust.	✓	-	-	-	-	-
Ketipüüdja	Ülevaatamine.	-	-	✓	-	-	-
Kruvid ja mutrid	Ülevaatamine.	-	-	✓	-	-	-

VEAOTSING

Enne remonditöökotta pöördumist kontrollige niidukit ise. Ärge üritage niidukit lahti võtta, kui leiate probleemi, mida kasutusjuhendis ei kirjeldata. Selle asemel pöörduge Makita volitatud teeninduskeskusesse, kus kasutatakse remon-
timisel alati Makita tagavaraosi.

Tõrge	Põhjus	Tegevus
Kettsaag ei käivitu.	Akukassett ei ole paigaldatud.	Paigaldage laetud akukassett.
	Akuga seotud probleem (madal pinge).	Laadige akukassetti. Kui laadimine ei anna tulemust, vahetage akukassett välja.
Saekett ei liigu.	Ketipidur on peal.	Vabastage ketipidur.
Mootor seiskub pärast lühiajalist töötamist.	Aku laetustase on madal.	Laadige akukassetti. Kui laadimine ei anna tulemust, vahetage akukassett välja.
Ketil pole õli.	Õlipaak on tühi.	Täitke õlipaak.
	Õli juhtsoon on määrdunud.	Puhastage soon.
Kettsaag ei saavuta maksimaalset pöörlemiskiirust.	Akukassett ei ole õigesti paigaldatud.	Paigaldage akukassett juhendis kirjeldatud viisil.
	Aku võimsus langeb.	Laadige akukassetti. Kui laadimine ei anna tulemust, vahetage akukassett välja.
	Veosüsteem ei tööta korralikult.	Pöörduge remontimiseks teie piirkonna volitatud teeninduskeskusesse.
Kett ei peatu isegi pärast ketipiduri aktiveerimist. Seisake tööriist viivitamatult!	Piduri rihm on kulunud.	Pöörduge remontimiseks teie piirkonna volitatud teeninduskeskusesse.
Ebatavaline vibratsioon: Seisake tööriist viivitamatult!	Juhtlatt või saekett on lõtv.	Reguleerige juhtlati ja saeketi pingsust.
	Tööriista rike.	Pöörduge remontimiseks teie piirkonna volitatud teeninduskeskusesse.
Saeketti ei saa paigaldada.	Saeketi ja ketiratta kombinatsioon ei ole õige.	Kasutage õiget saeketi ja ketiratta kombinatsiooni vastavalt tehniliste andmete peatükile.

VALIKULISED TARVIKUD

⚠ETTEVAATUST: Neid tarvikuid ja liseseadiseid on soovitatav kasutada koos Makita tööriistaga, mille kasutamist selles kasutusjuhendis kirjeldatakse. Muude tarvikute ja liseseadiste kasutamisega kaasneb vigastada saamise oht. Kasutage tarvikuid ja liseseadiseid ainult otstarbekohaselt.

Saate vajaduse korral kohalikust Makita teeninduskeskusest lisateavet nende tarvikute kohta.

- Saekett
- Juhtlatt
- Juhtlati kate
- Viil
- Tööriistakott
- Makita algupärane aku ja laadija

⚠HOIATUS: Kui ostate standardsest juhtlatist erineva pikkusega juhtlati, ostke sinna juurde ka sobiva pikkusega juhtlati kate. See peab sobima ja katma kettsae juhtlati täielikult.

MÄRKUS: Mõned nimekirjas loetletud tarvikud võivad kuuluda standardvarustusse ning need on lisatud tööriista pakendisse. Need võivad riigiti erineda.

ТЕХНИЧЕСКИЕ ХАРАКТЕРИСТИКИ

Модель:		DUC307	DUC357	DUC407
Общая длина (без пильной шины)		428 мм		
Номинальное напряжение		18 В пост. тока		
Масса нетто	*1	2,9 кг		
	*2	4,2 – 4,3 кг		
Стандартная длина направляющей шины		300 мм	350 мм	400 мм
Рекомендуемая длина направляющей шины		300 - 400 мм		
Применимый тип пильной цепи (см. таблицу ниже)		90PX		
Звездочка	Количество зубьев	6		
	Шаг	3/8"		
Скорость цепи		0 - 7,7 м/с (0 - 460 м/мин)		
Объем маслобака		150 см ³		

- Благодаря нашей постоянно действующей программе исследований и разработок указанные здесь технические характеристики могут быть изменены без предварительного уведомления.
- Технические характеристики могут различаться в зависимости от страны.

*1: Масса без пильной цепи, стержня направляющей, крышки пильной шины, масла и блока (блоков) аккумулятора.

*2: Наименьшая и наибольшая совокупная масса согласно процедуре ЕРТА 01/2014. Масса может отличаться в зависимости от дополнительного оборудования; блок (блоки) аккумулятора также считается дополнительным оборудованием.

Сочетание пильной цепи, стержня направляющей и звездочки

Тип пильной цепи		90PX		
Количество приводных звеньев		46	52	56
Пильная шина	Длина пильной шины	300 мм	350 мм	400 мм
	Длина распила	275 мм	330 мм	370 мм
	Шаг	3/8"		
	Измеритель	1,1 мм		
	Тип	Шина с концевой звездочкой		
Звездочка	Количество зубьев	6		
	Шаг	3/8"		

⚠ ОСТОРОЖНО: Используйте подходящее сочетание пильной шины и пильной цепи. Несоблюдение этой рекомендации может привести к травме.

Подходящий блок аккумулятора и зарядное устройство

Блок аккумулятора	BL1830B / BL1840B / BL1850B / BL1860B
Зарядное устройство	DC18RC / DC18RD / DC18RE / DC18SD / DC18SE / DC18SF / DC18SH

- В зависимости от региона проживания некоторые блоки аккумуляторов и зарядные устройства, перечисленные выше, могут быть недоступны.

⚠ ОСТОРОЖНО: Используйте только перечисленные выше блоки аккумуляторов и зарядные устройства. Использование других блоков аккумуляторов и зарядных устройств может привести к травме и/или пожару.

Рекомендованный источник электропитания с проводным подключением













Портативный блок питания	PDC01
--------------------------	-------

- В некоторых регионах определенные модели перечисленных выше источников электропитания с проводным подключением могут быть недоступны.

- Перед началом использования источника электропитания с проводным подключением изучите инструкцию и предупреждающие надписи на нем.

Символы

Ниже приведены символы, которые могут использоваться для обозначения оборудования. Перед использованием убедитесь в том, что вы понимаете их значение.

	Прочитайте руководство по эксплуатации.
	Надевайте защитные очки.
	Используйте средства защиты слуха.
	Максимально допустимая длина среза
	Во время работы цепную пилу следует держать двумя руками.
	Помните об отдаче пильной цепи и избегайте контакта с кончиком шины.
	Беречь от влаги.
	Направление движения цепи
	Регулировка подачи масла к пильной цепи
	Только для стран ЕС В связи с наличием в оборудовании опасных компонентов отходы электрического и электронного оборудования, аккумуляторы и батареи могут оказывать негативное влияние на окружающую среду и здоровье человека. Не выбрасывайте электрические и электронные устройства или батареи вместе с бытовыми отходами! В соответствии с директивой ЕС по отходам электрического и электронного оборудования, по аккумуляторам, батареям и отходам аккумуляторов и батарей, а также в соответствии с ее адаптацией к национальному законодательству, отходы электрического оборудования, батареи и аккумуляторы следует хранить отдельно и доставлять на пункт раздельного сбора коммунальных отходов, работающий с соблюдением правил охраны окружающей среды. Это обозначено символом в виде перечеркнутого мусорного контейнера на колесах, нанесенным на оборудование.
	Гарантированный уровень звуковой мощности в соответствии с Директивой ЕС по шумам вне помещений.
	Уровень звуковой мощности в соответствии с Регламентом Австралии (Новый Южный Уэльс) по контролю за шумом

Назначение

Эта пила предназначена для распиливания древесины.

Шум

Типичный уровень взвешенного звукового давления (A), измеренный в соответствии с EN62841-4-1:

Модель DUC307

Уровень звукового давления (L_{pA}): 86 дБ (A)
Уровень звуковой мощности (L_{WA}): 97 дБ (A)
Погрешность (K): 3 дБ (A)

Модель DUC357

Уровень звукового давления (L_{pA}): 86 дБ (A)
Уровень звуковой мощности (L_{WA}): 97 дБ (A)
Погрешность (K): 3 дБ (A)

Модель DUC407

Уровень звукового давления (L_{pA}): 86 дБ (A)
Уровень звуковой мощности (L_{WA}): 97 дБ (A)
Погрешность (K): 3 дБ (A)

ПРИМЕЧАНИЕ: Заявленное значение распространения шума измерено в соответствии со стандартной методикой испытаний и может быть использовано для сравнения инструментов.

ПРИМЕЧАНИЕ: Заявленное значение распространения шума можно также использовать для предварительных оценок воздействия.

⚠ОСТОРОЖНО: Используйте средства защиты слуха.

⚠ОСТОРОЖНО: Распространение шума во время фактического использования электроинструмента может отличаться от заявленного значения в зависимости от способа применения инструмента и в особенности от типа обрабатываемой детали.

⚠ОСТОРОЖНО: Обязательно определите меры безопасности для защиты оператора, основанные на оценке воздействия в реальных условиях использования (с учетом всех этапов рабочего цикла, таких как выключение инструмента, работа без нагрузки и включение).

Вибрация

Суммарное значение вибрации (сумма векторов по трем осям), определенное в соответствии с EN62841-4-1:

Модель DUC307

Рабочий режим: распиливание древесины
Распространение вибрации ($a_{n,w}$): 5,4 м/с²
Погрешность (K): 1,5 м/с²

Модель DUC357

Рабочий режим: распиливание древесины
Распространение вибрации ($a_{n,w}$): 5,4 м/с²
Погрешность (K): 1,5 м/с²

Модель DUC407

Рабочий режим: распиливание древесины
Распространение вибрации ($a_{n,w}$): 5,4 м/с²
Погрешность (K): 1,5 м/с²

ПРИМЕЧАНИЕ: Заявленное общее значение распространения вибрации измерено в соответствии со стандартной методикой испытаний и может быть использовано для сравнения инструментов.

ПРИМЕЧАНИЕ: Заявленное общее значение распространения вибрации можно также использовать для предварительных оценок воздействия.

⚠ОСТОРОЖНО: Распространение вибрации во время фактического использования электроинструмента может отличаться от заявленного значения в зависимости от способа применения инструмента и в особенности от типа обрабатываемой детали.

⚠ОСТОРОЖНО: Обязательно определите меры безопасности для защиты оператора, основанные на оценке воздействия в реальных условиях использования (с учетом всех этапов рабочего цикла, таких как выключение инструмента, работа без нагрузки и включение).

Декларация о соответствии ЕС

Только для европейских стран

Декларация о соответствии ЕС включена в руководство по эксплуатации (Приложение А).

МЕРЫ БЕЗОПАСНОСТИ

Общие рекомендации по технике безопасности для электроинструментов

⚠ОСТОРОЖНО: Ознакомьтесь со всеми представленными инструкциями по технике безопасности, указаниями, иллюстрациями и техническими характеристиками, прилагаемыми к данному электроинструменту. Несоблюдение каких-либо инструкций, указанных ниже, может привести к поражению электрическим током, пожару и/или серьезной травме.

Сохраните брошюру с инструкциями и рекомендациями для дальнейшего использования.

Термин "электроинструмент" в предупреждениях относится ко всему инструменту, работающему от сети (с проводом) или на аккумуляторах (без провода).

Общие правила техники безопасности при использовании цепной пилы

1. Не дотрагивайтесь до пильной цепи во время работы цепной пилы. Перед началом работы убедитесь в том, что пильная цепь ни к чему не прикасается. Секундная невнимательность при работе с цепной пилой может привести к захлестыванию вашей одежды или частей тела пильной цепью.

2. Всегда беритесь правой рукой за заднюю ручку цепной пилы, а левой – за переднюю. Держать цепную пилу по-другому запрещено из-за повышения риска травмирования при работе с ней.
3. Держите цепную пилу только за специальные изолированные поверхности, поскольку при выполнении работ существует риск контакта пильной цепи со скрытой электропроводкой. Контакт пильной цепи с проводом под напряжением приведет к тому, что металлические детали цепной пилы также окажутся под напряжением, что приведет к поражению оператора электрическим током.
4. Используйте защитные очки. Рекомендуется использовать дополнительные средства защиты головы, рук, ног и органов слуха. Надлежащее защитное оборудование снижает риск получения травм от летящих частиц или при случайном прикосновении к пильной цепи.
5. Не используйте цепную пилу, находясь на дереве, на лестнице, крыше или любой неустойчивой опоре. Эксплуатация цепной пилы таким образом может привести к тяжелым травмам.
6. Всегда твердо стойте на ногах; используйте цепную пилу только стоя на неподвижной, надежной и ровной поверхности. Скользящая или неустойчивая поверхность может стать причиной потери равновесия или контроля над цепной пилой.
7. Отрезая сук, находящийся под нагрузкой, помните о возможной отдаче. Когда напряжение в волокнах дерева исчезнет, ветка может ударить оператора и/или выбить из рук цепную пилу.
8. Соблюдайте особую осторожность при резании кустарника и молодых деревьев. Пильная цепь может застрять в гибком материале, в результате чего вас может хлестнуть веткой, или вы можете потерять равновесие в результате рывка.
9. Переносите цепную пилу только за переднюю ручку, в выключенном состоянии, не поднося к телу. На время транспортировки или хранения цепной пилы обязательно надевайте крышку пильной шины. Правильное обращение с цепной пилой снижает риск случайного прикосновения к движущейся пильной цепи.
10. Следуйте инструкциям по нанесению смазки, регулировке натяжения цепи и замене шины и цепи. Из-за неправильного натяжения или смазки цепи увеличивается риск поломки или отдачи.
11. Разрешается использовать только для резки дерева. Используйте цепную пилу только по назначению. Например: не используйте цепную пилу для резки металла, пластмассы, кирпича или строительных материалов, изготовленных не из дерева. Использование цепной пилы не по назначению может привести к опасным ситуациям.

12. **Не пытайтесь свалить дерево, пока не проанализируете все риски и не поймете, как их избежать.** Во время валки дерева оператору или посторонним лицам могут быть нанесены тяжелые травмы.

13. **Причины отдачи и меры их предотвращения оператором:**

Отдача возможна в случае, если передняя часть или кончик пильной шины коснется какого-либо предмета или если дерево сдавит и зажмет пильную цепь в процессе резания. В некоторых случаях касание кончиком пилы может внезапно отбросить пильную шину вверх и назад в сторону оператора. Защемление пильной цепи у верхней части пильной шины может отбросить пильную шину назад к оператору. Любая из этих реакций может стать причиной потери контроля над пилой и привести к тяжелым травмам. Не полагайтесь только на предохранительные устройства пилы. Как оператор цепной пилы, вы должны принять меры для обеспечения безопасной работы. Отдача – это результат неправильного использования цепной пилы и/или неправильных процедур или условий эксплуатации. Ее можно избежать, соблюдая указанные далее меры предосторожности.

- **Крепко удерживайте инструмент, обхватив рукоятки пилы двумя руками; положение тела и рук следует выбрать таким образом, чтобы быть готовым к отдаче.** Если приняты соответствующие меры предосторожности, оператор способен справиться с силой отдачи. Не выпускайте цепную пилу из рук.

► **Рис. 1**

- **Не старайтесь дотянуться до объектов за пределами досягаемости и не пилите на высоте выше уровня плеч.** Это поможет предотвратить непреднамеренный контакт кончика пилы и лучше управлять цепной пилой в непредвиденных ситуациях.
 - **Используйте сменные стержни направляющей и пильные цепи только рекомендованного производителем типа.** Использование других сменных стержней направляющих и пильных цепей может привести к разрыву цепи и/или отдаче.
 - **Следуйте инструкциям производителя по заточке и обслуживанию цепной пилы.** Уменьшение высоты глубиномера может привести к увеличению силы отдачи.
14. **При удалении застрявшего материала, хранении или обслуживании цепной пилы соблюдайте все инструкции. Убедитесь в том, что переключатель выключен и аккумулятор извлечен.** Неожиданное срабатывание цепной пилы во время удаления застрявших предметов или обслуживания может привести к тяжелым травмам.

Дополнительные инструкции по технике безопасности

Индивидуальные средства защиты

1. Одежда должна быть достаточно облегающей, но не должна сковывать движений.
2. Во время выполнения работ используйте следующие средства индивидуальной защиты:
 - Сертифицированную защитную каску, в случае наличия опасности от падающих веток и т. п.;
 - Защитную маску или защитные очки;
 - Соответствующие средства защиты слуха (наушники или беруши). Октавный анализ модели по запросу.
 - Прочные кожаные защитные перчатки;
 - Длинные брюки, изготовленные из прочной ткани;
 - Защитные брюки из ткани, устойчивой к порезам;
 - Ботинки или сапоги для безопасной работы с нескользящей подошвой, стальным носком и тканевой подкладкой, устойчивой к порезам;
 - Респиратор при выполнении работ, приводящих к образованию пыли (например, распиливание сухой древесины).

Эксплуатация

1. **Перед началом работы убедитесь, что цепная пила находится в нормальном рабочем состоянии и соответствует нормативным требованиям техники безопасности. В частности, убедитесь, что:**
 - тормоз цепи работает нормально;
 - тормоз для нерабочего состояния работает нормально;
 - шина и крышка звездочки установлены правильно;
 - цепь наточена и натянута в соответствии с требованиями.
2. **Не включайте цепную пилу, если на ней установлена крышка цепи.** В противном случае крышка цепи может оторваться и быть отброшена вперед, причинив травмы или повреждения окружающих предметов.

Электробезопасность

1. **Избегайте опасных сред. Не используйте инструмент в местах с повышенной влажностью и под дождем.** Попавшая в инструмент вода повышает опасность поражения электрическим током.
2. **Не бросайте аккумуляторные блоки в огонь.** Они могут взорваться. Уточните местные правила утилизации аккумуляторов.
3. **Не вскрывайте и не разбивайте аккумуляторы.** Содержащийся в них электролит очень едкий, вы можете повредить глаза или кожу. При проглатывании это вещество может вызвать отравление.
4. **Не заряжайте аккумулятор под дождем или в местах с повышенной влажностью.**
5. **Не заряжайте аккумулятор на улице.**

6. Не касайтесь зарядного устройства, а также штекера и контактов зарядного устройства влажными руками.
 7. Запрещается заменять аккумулятор под дождем.
 8. Запрещается выполнять замену аккумулятора мокрыми руками.
 9. Запрещается оставлять аккумулятор под дождем, а также заряжать, использовать или хранить аккумулятор в местах с повышенной влажностью.
 10. Избегайте смачивания клемм аккумулятора жидкостью, например водой, и не допускайте погружения аккумулятора в жидкость. Намокание клеммы или попадание жидкости внутрь аккумулятора могут привести к короткому замыканию аккумулятора, его перегреву, возгоранию или взрыву.
 11. После извлечения аккумулятора из газнокосилки или зарядного устройства обязательно присоедините к аккумулятору крышку отсека аккумулятора и оставьте его в сухом месте.
 12. В случае попадания воды на блок аккумулятора вылейте воду из блока и протрите его сухой тканью. Прежде чем использовать блок аккумулятора, дайте ему полностью высохнуть в сухом месте.
5. Не замыкайте контакты аккумуляторного блока между собой:
 - (1) Не прикасайтесь к контактам какими-либо токопроводящими предметами.
 - (2) Не храните аккумуляторный блок в контейнере вместе с другими металлическими предметами, такими как гвозди, монеты и т. п.
 - (3) Не допускайте попадания на аккумуляторный блок воды или дождя.
 Замыкание контактов аккумуляторного блока между собой может привести к возникновению большого тока, перегреву, возможным ожогам и даже поломке блока.
 6. Не храните и не используйте инструмент и аккумуляторный блок в местах, где температура может достигать или превышать 50 °C (122 °F).
 7. Не бросайте аккумуляторный блок в огонь, даже если он сильно поврежден или полностью вышел из строя. Аккумуляторный блок может взорваться под действием огня.
 8. Запрещено вбивать гвозди в блок аккумулятора, резать, ломать, бросать, ронять блок аккумулятора или ударять его твердым предметом. Это может привести к пожару, перегреву или взрыву.
 9. Не используйте поврежденный аккумуляторный блок.
 10. Входящие в комплект литий-ионные аккумуляторы должны эксплуатироваться в соответствии с требованиями законодательства об опасных товарах. При коммерческой транспортировке, например, третьей стороной или экспедитором, необходимо нанести на упаковку специальные предупреждения и маркировку.

В процессе подготовки устройства к отправке обязательно проконсультируйтесь со специалистом по опасным материалам. Также соблюдайте местные требования и нормы. Они могут быть строже. Закройте или закрепите разомкнутые контакты и упакуйте аккумулятор так, чтобы он не перемещался по упаковке.

СОХРАНИТЕ ДАННЫЕ ИНСТРУКЦИИ.

▲ОСТОРОЖНО: НЕ ДОПУСКАЙТЕ, чтобы удобство или опыт эксплуатации данного устройства (полученный от многократного использования) доминировали над строгим соблюдением правил техники безопасности при обращении с этим устройством. НЕПРАВИЛЬНОЕ ИСПОЛЬЗОВАНИЕ инструмента или несоблюдение правил техники безопасности, указанных в данном руководстве, может привести к тяжелой травме.

Важные правила техники безопасности для работы с аккумуляторным блоком

1. Перед использованием аккумуляторного блока прочитайте все инструкции и предупреждающие надписи на (1) зарядном устройстве, (2) аккумуляторном блоке и (3) инструменте, работающем от аккумуляторного блока.
2. Не разбирайте блок аккумулятора и не меняйте его конструкцию. Это может привести к пожару, перегреву или взрыву.
3. Если время работы аккумуляторного блока значительно сократилось, немедленно прекратите работу. В противном случае, может возникнуть перегрев блока, что приведет к ожогам и даже к взрыву.
4. В случае попадания электролита в глаза промойте их обильным количеством чистой воды и немедленно обратитесь к врачу. Это может привести к потере зрения.
5. Если инструментом не будут пользоваться в течение длительного периода времени, извлеките аккумулятор из инструмента.
6. Во время и после использования блок аккумулятора может нагреваться, что может стать причиной ожогов или низкотемпературных ожогов. Будьте осторожны при обращении с горячим блоком аккумулятора.
7. Не прикасайтесь к контактам инструмента сразу после использования, поскольку они могут быть достаточно горячими, чтобы вызвать ожоги.
8. Не допускайте налипания на контакты, отверстия и пазы блока аккумулятора опилок, пыли или земли. Это может стать причиной перегрева, возгорания, взрыва или неисправности инструмента или блока аккумулятора, что может привести к ожогам или травмам.

17. Если инструмент не рассчитан на использование вблизи высоковольтных линий электропередач, не используйте блок аккумулятора вблизи высоковольтных линий электропередач. Это может привести к неисправности, поломке инструмента или блока аккумулятора.
18. Храните аккумулятор в недоступном для детей месте.

СОХРАНИТЕ ДАННЫЕ ИНСТРУКЦИИ.

⚠ВНИМАНИЕ: Используйте только фирменные аккумуляторные батареи Makita. Использование аккумуляторных батарей, не произведенных Makita, или батарей, которые были подвергнуты модификациям, может привести к взрыву аккумулятора, пожару, травмам и повреждению имущества. Это также автоматически аннулирует гарантию Makita на инструмент и зарядное устройство Makita.

Советы по обеспечению максимального срока службы аккумулятора

1. Заряжайте блок аккумуляторов перед его полной разрядкой. Обязательно прекратите работу с инструментом и зарядите блок аккумуляторов, если вы заметили снижение мощности инструмента.
2. Никогда не подзаряжайте полностью заряженный блок аккумуляторов. Перезарядка сокращает срок службы аккумулятора.
3. Заряжайте блок аккумуляторов при комнатной температуре в 10 - 40 °C (50 - 104 °F). Перед зарядкой горячего блока аккумуляторов дайте ему остыть.
4. Если блок аккумулятора не используется, извлеките его из инструмента или зарядного устройства.
5. Зарядите ионно-литиевый аккумуляторный блок, если вы не будете пользоваться инструментом длительное время (более шести месяцев).

ОПИСАНИЕ ДЕТАЛЕЙ

► Рис.2

1	Передняя защита руки	2	Рычаг	3	Пильная шина
4	Пильная цепь	5	Крышка пильной шины	6	Кнопка разблокировки
7	Задняя ручка	8	Триггерный переключатель	9	Блок аккумулятора
10	Передняя ручка	11	Крышка маслобака	12	Зубчатый бампер
13	Уловитель цепи	14	Регулировочный диск	-	-

ОПИСАНИЕ РАБОТЫ

⚠ВНИМАНИЕ: Перед регулировкой или проверкой функций инструмента обязательно убедитесь, что он выключен и его аккумуляторный блок снят.

Установка или снятие блока аккумуляторов

⚠ВНИМАНИЕ: Обязательно выключайте инструмент перед установкой и извлечением аккумуляторного блока.

⚠ВНИМАНИЕ: При установке и извлечении аккумуляторного блока крепко удерживайте инструмент и аккумуляторный блок. Если не соблюдать это требование, они могут выскользнуть из рук, что приведет к повреждению инструмента, аккумуляторного блока и травмированию оператора.

► Рис.3: 1. Красный индикатор 2. Кнопка 3. Блок аккумулятора

Для снятия аккумуляторного блока нажмите кнопку на лицевой стороне и извлеките блок.

Для установки блока аккумулятора совместите выступ блока аккумулятора с пазом в корпусе и задвиньте его на место. Устанавливайте блок до упора, чтобы он зафиксировался с небольшим щелчком. Если вы видите красный индикатор, как показано на рисунке, он не зафиксирован полностью.

⚠ВНИМАНИЕ: Обязательно устанавливайте блок аккумулятора до конца, чтобы красный индикатор не был виден. В противном случае блок аккумулятора может выпастить из инструмента и нанести травму вам или другим людям.
















⚠ВНИМАНИЕ: Не прилагайте чрезмерных усилий при установке аккумуляторного блока. Если блок не двигается свободно, значит он вставлен неправильно.

Индикация оставшегося заряда аккумулятора

Только для блоков аккумулятора с индикатором

► Рис.4: 1. Индикаторы 2. Кнопка проверки

Нажмите кнопку проверки на аккумуляторном блоке для проверки заряда. Индикаторы загорятся на несколько секунд.

Индикаторы			Уровень заряда
			
			от 75 до 100%
			от 50 до 75%
			от 25 до 50%
			от 0 до 25%
			Зарядите аккумуляторную батарею.
			Возможно, аккумуляторная батарея неисправна.

ПРИМЕЧАНИЕ: В зависимости от условий эксплуатации и температуры окружающего воздуха индикация может незначительно отличаться от фактического значения.

ПРИМЕЧАНИЕ: Первая (дальняя левая) индикаторная лампа будет мигать во время работы защитной системы аккумулятора.

Система защиты инструмента/аккумулятора

На инструменте предусмотрена система защиты инструмента/аккумулятора. Она автоматически отключает питание двигателя для продления срока службы инструмента и аккумулятора. Инструмент автоматически остановится во время работы в следующих случаях:

Защита от перегрузки

Если из-за определенного режима эксплуатации инструмента или аккумулятора возникает слишком большой ток, осуществляется автоматическая остановка инструмента. В этом случае выключите инструмент и прекратите работу, из-за которой произошла перегрузка инструмента. Затем включите инструмент для перезапуска.

Защита от перегрева

При перегреве инструмента или аккумулятора инструмент останавливается автоматически. В этом случае дайте инструменту и аккумулятору остыть перед повторным включением.

ПРИМЕЧАНИЕ: Защита от перегрева с высокой вероятностью сработает в условиях высокой температуры, а инструмент остановится автоматически.

Защита от переразрядки

При истощении емкости аккумулятора инструмент автоматически останавливается. В этом случае извлеките аккумулятор из инструмента и зарядите его.

Защита от других неполадок

Система защиты также рассчитана на другие неполадки, способные вывести инструмент из строя, и обеспечивает автоматический останов инструмента. В случае временной остановки или прекращения работы инструмента выполните все перечисленные ниже действия для устранения причин остановки.

1. Выключите и снова включите инструмент для его перезапуска.
2. Зарядите аккумулятор(-ы) или замените его/их на заряженный(-е).
3. Дайте устройству и аккумулятору(-ам) возможность остыть.

Если после восстановления системы защиты ситуация не изменится, обратитесь в сервисный центр Makita.

ПРИМЕЧАНИЕ: Если инструмент останавливается по причине, не описанной выше, см. раздел, касающийся поиска и устранения неисправностей.

Действие выключателя

⚠ОСТОРОЖНО: Для обеспечения вашей безопасности данный инструмент оборудован кнопкой разблокировки, которая предотвращает его непреднамеренное включение. Запрещается использовать инструмент, если он включается при простом нажатии на триггерный переключатель без нажатия на кнопку разблокировки. Обратитесь в местный сервисный центр Makita для ремонта.

⚠ОСТОРОЖНО: Запрещается отключать функцию блокировки или фиксировать кнопку разблокировки в нажатом положении с помощью посторонних предметов.

⚠ВНИМАНИЕ: Перед установкой аккумуляторного блока в инструмент обязательно убедитесь, что его триггерный переключатель нормально работает и возвращается в положение "OFF" (ВЫКЛ) при отпускании.

ПРИМЕЧАНИЕ: Не нажимайте на триггерный переключатель до нажатия на кнопку разблокировки. Избегайте излишне сильного нажатия. Переключатель может сломаться.

► Рис.5: 1. Кнопка разблокировки 2. Триггерный переключатель

Для предотвращения случайного нажатия триггерного переключателя предусмотрена кнопка разблокировки. Для запуска инструмента нажмите на кнопку разблокировки, а затем нажмите на триггерный переключатель. Для остановки инструмента отпустите триггерный переключатель.

Проверка тормоза цепи

▲ВНИМАНИЕ: При включении держите цепную пилу двумя руками. Правой рукой возьмитесь за заднюю ручку, а левой – за переднюю. Шина и цепь не должны находиться в контакте с каким-либо предметом.

▲ВНИМАНИЕ: Если при выполнении этой проверки пильная цепь не остановилась сразу же, эксплуатация пилы запрещена. Обратитесь в авторизованный сервисный центр.

1. Нажмите на кнопку разблокировки, затем потяните триггерный переключатель. Пильная цепь запустится незамедлительно.

2. Тыльной стороной руки переместите защиту руки вперед. Цепная пила должна сразу же остановиться.

► **Рис.6:** 1. Передняя защита руки 2. Положение разблокировки 3. Положение блокировки

Проверка тормоза для остановки цепи, когда пила выключена

▲ВНИМАНИЕ: Если во время проведения этой проверки пильная цепь не останавливается в течение одной секунды, прекратите эксплуатацию данной цепной пилы и обратитесь в авторизованный сервисный центр.

Включите цепную пилу, затем полностью отпустите триггерный переключатель. Пильная цепь должна остановиться в течение приблизительно одной секунды.

СБОРКА

▲ВНИМАНИЕ: Перед проведением каких-либо работ с инструментом обязательно убедитесь, что инструмент отключен, а блок аккумулятора снят.

▲ВНИМАНИЕ: Не прикасайтесь к пильной цепи голыми руками. При работе с пильной цепью обязательно надевайте защитные перчатки.

Установка или снятие пильной цепи

▲ВНИМАНИЕ: После окончания эксплуатации пильная цепь и пильная шина остаются горячими. Дождитесь, пока они остынут, прежде чем выполнять какие-либо работы с инструментом.

▲ВНИМАНИЕ: Процедуру установки и снятия пильной цепи необходимо осуществлять в чистом месте, где нет опилок или других инородных предметов.

Установка пильной цепи

Чтобы установить пильную цепь, выполните следующие действия:

1. Отпустите тормоз цепи, потянув за переднюю защиту руки.

2. Потяните рычаг вверх и одновременно с этим надавите на его край.

► **Рис.7:** 1. Рычаг

3. Поворачивайте рычаг против часовой стрелки до тех пор, пока не будет возможно снять звездочку.

► **Рис.8:** 1. Рычаг 2. Крышка звездочки

4. Снимите крышку звездочки.

5. Проверьте направление движения пильной цепи. Направление пильной цепи должно совпадать с направлением, обозначенным отметкой на корпусе цепной пилы.

► **Рис.9:** 1. Метка на корпусе цепной пилы

6. Поместите один конец пильной цепи на верхнюю часть стержня направляющей.

7. Расположите другой конец пильной цепи вокруг звездочки, а затем прикрепите пильную шину к корпусу цепной пилы.

► **Рис.10:** 1. Звездочка

8. Поверните регулировочный диск в направлении «←» для перемещения регулирующего штифта в направлении, показанном стрелкой.

► **Рис.11:** 1. Регулировочный диск
2. Регулировочный штифт

9. Установите крышку звездочки на цепную пилу так, чтобы регулировочный штифт располагался в небольшом отверстии пильной шины.

► **Рис.12:** 1. Крышка звездочки 2. Пильная шина
3. Отверстие

10. Поверните рычаг до упора по часовой стрелке, а затем немного назад, чтобы сохранить уровень ослабления для регулировки натяжения цепи.

11. Отрегулируйте натяжение цепи. См. описание процедуры в разделе о регулировке натяжения пильной цепи.

12. Поворачивайте рычаг по часовой стрелке, пока крышка звездочки не будет надежно закреплена, а затем верните его в первоначальное положение.

► **Рис.13:** 1. Рычаг 2. Крышка звездочки

Снятие пильной цепи

Чтобы снять пильную цепь, выполните следующие действия:

1. Отпустите тормоз цепи, потянув за переднюю защиту руки.

2. Поверните регулировочный диск в направлении «←» для ослабления пильной цепи.

► **Рис.14:** 1. Регулировочный диск

3. Потяните рычаг вверх и одновременно с этим надавите на его край.

► **Рис.15:** 1. Рычаг

4. Поворачивайте рычаг против часовой стрелки до тех пор, пока не будет возможно снять звездочку.

► **Рис.16:** 1. Рычаг 2. Крышка звездочки

5. Снимите крышку звездочки, а затем отсоедините пильную цепь и пильную шину от корпуса цепной пилы.

Регулирование натяжения пильной цепи

ВНИМАНИЕ: Процедуру установки и снятия пильной цепи необходимо осуществлять в чистом месте, где нет опилок или других инородных предметов.

ВНИМАНИЕ: Не перетягивайте пильную цепь. Слишком сильное натяжение пильной цепи может привести к ее разрыву, износу направляющей шины и поломке ручки регулировки.

ВНИМАНИЕ: Слишком слабо натянутая цепь может соскочить с шины, что создаст риск получения травмы.

После многочасового использования пильная цепь может ослабнуть. Перед использованием периодически проверяйте натяжение пильной цепи.

1. Потяните рычаг вверх и одновременно с этим надавите на его край.

► Рис.17: 1. Рычаг

2. Немного поверните рычаг против часовой стрелки, чтобы слегка ослабить крышку звездочки.

► Рис.18: 1. Рычаг 2. Крышка звездочки

3. Слегка поднимите наконечник пильной шины и отрегулируйте натяжение цепи. Чтобы ослабить регулировочное кольцо, поверните его в сторону «-», чтобы затянуть — в сторону «+». Натягивайте пильную цепь до тех пор, пока нижняя сторона пильной цепи не войдет в паз направляющей шины, как показано на рисунке.

► Рис.19: 1. Регулировочный диск 2. Пильная шина 3. Пильная цепь

4. Затяните крышку звездочки, придерживая при этом пильную шину. Убедитесь, что пильная цепь не провисает с нижней стороны.

5. Верните рычаг в первоначальное положение.

Убедитесь, что пильная цепь плотно посажена с нижней стороны шины.

ЭКСПЛУАТАЦИЯ

Смазка

ВНИМАНИЕ: Не используйте цепную пилу при пустом баке. Масло необходимо своевременно доливать до момента опорожнения бака.

ВНИМАНИЕ: Не допускайте попадания масла на кожу и в глаза. Попадание в глаза вызывает раздражение. В случае попадания в глаза немедленно промойте пораженный глаз чистой водой и сразу обратитесь к врачу.

ВНИМАНИЕ: Ни в коем случае не пользуйтесь отработанным маслом. Отработанное масло содержит канцерогенные вещества. Загрязняющие примеси в отработанном масле вызывают ускоренный износ масляного насоса, шины и цепи. Отработанное масло наносит вред окружающей среде.

ПРИМЕЧАНИЕ: При первом использовании цепной пилы может потребоваться до двух минут, пока масло для пильной цепи не начнет смазывать механизм пилы. Запустите пилу без нагрузки, чтобы смазать механизм.

ПРИМЕЧАНИЕ: При первой заливке масла или при его добавлении после полного опорожнения емкости заливайте масло до нижнего края заливной горловины. В противном случае, подача масла может быть нарушена.

ПРИМЕЧАНИЕ: Смазывайте пильные цепи только специальным маслом для цепных пил Makita или аналогичным ему.

ПРИМЕЧАНИЕ: Запрещается использовать загрязненное пылью и прочими частицами масло или летучую смазку.

ПРИМЕЧАНИЕ: При обрезке деревьев используйте масло растительного происхождения. При использовании минерального масла существует вероятность повреждения деревьев.

ПРИМЕЧАНИЕ: Прежде чем приступать к резке, убедитесь, что крышка масляного бака завинчена.

Смазка пильной цепи осуществляется автоматически во время работы. Периодически проверяйте количество масла в баке через контрольное окно уровня масла.

► Рис.20: 1. Крышка маслобака 2. Контрольное окно уровня масла

Чтобы залить масло, выполните указанные далее действия.

1. Тщательно очистите участок вокруг крышки масляного бака, чтобы предотвратить попадание грязи в масляный бак.

2. Положите цепную пилу на бок и снимите крышку масляного бака.

3. Заполните масляный бак маслом. Необходимое количество масла – 150 мл.

4. Плотно закрутите крышку масляного бака.

5. Тщательно вытрите пролитое масло для цепи.

ПРИМЕЧАНИЕ: Если крышку масляного бака снять трудно, вставьте шлицевую отвертку в паз крышки масляного бака и снимите крышку масляного бака, повернув ее против часовой стрелки.

► Рис.21: 1. Паз 2. Шлицевая отвертка

После долива удерживайте пилу на расстоянии от дерева. Включите пилу и подождите, пока пильная цепь не будет смазана должным образом.

► Рис.22

Эксплуатация цепной пилы

⚠ВНИМАНИЕ: Если вы пользуетесь пилой впервые, рекомендуется пилить бревна на козлах или опорной раме.

⚠ВНИМАНИЕ: При распиловке подготовленных бревен используйте надежную опору (козлы или опорную раму). Не придерживайте разрезаемую заготовку ногой и не позволяйте делать это другим.

⚠ВНИМАНИЕ: Круглые детали фиксируйте в направлении, противоположном направлению вращения.

⚠ВНИМАНИЕ: Не приближайте пильную цепь к каким-либо частям тела, если электродвигатель работает.

⚠ВНИМАНИЕ: При работающем электродвигателе крепко держите цепную пилу двумя руками.

⚠ВНИМАНИЕ: При эксплуатации устройства не тянитесь. Всегда сохраняйте устойчивое положение и равновесие.

ПРИМЕЧАНИЕ: Не кидайте и не роняйте инструмент.

ПРИМЕЧАНИЕ: Не закрывайте вентиляционные отверстия инструмента.

Перед включением цепной пилы поднесите корпус инструмента к ветке, которую вы собираетесь распилить, так, чтобы пила и ветка соприкасались. В противном случае направляющая шина начнет дрожать и ранит оператора. При распиливании опускайте дерево вниз, используя вес цепной пилы.

► Рис.23

Если ветку нельзя распилить за один заход: Слегка надавливая на ручку и продолжая пилить, немного подайте пилу назад, затем установите зубчатый бампер немного ниже и завершите распил, подняв ручку.

► Рис.24

Раскряжевка

1. Используйте дерево, которое собираетесь распилить, в качестве опоры для корпуса цепной пилы.

► Рис.25

2. При работающей пильной цепи сделайте запил, используя заднюю ручку для подъема пилы и переднюю рукоятку для ее направления. Используйте зубчатый бампер как точку поворота.

3. Продолжите пиление, прилагая небольшое усилие к передней ручке и немного ослабляя заднюю часть пилы. Переместите зубчатый бампер в бревно дальше вниз и снова поднимите переднюю ручку.

ПРИМЕЧАНИЕ: При выполнении нескольких распилов выключайте пилу между выполнением распилов.

⚠ВНИМАНИЕ: Если для распиливания используется верхний край шины, цепная пила может выгнуться в вашем направлении, если цепь пилы заклинит. Во избежание этого выполняйте пиление нижним краем шины, чтобы пила изгибалась в сторону от вашего тела.

► Рис.26

При распиливании древесины под давлением начинать распиливание необходимо со стороны воздействия давления (А). Окончательный распил выполняется со стороны возникновения растяжения (В). Такой способ пиления позволит избежать зажима шины.

► Рис.27

Обрезка сучьев

⚠ВНИМАНИЕ: Обрезка сучьев должна выполняться только опытными рабочими. При обрезке сучьев существует риск возникновения отдачи.

При обрезке сучьев при возможности используйте ствол в качестве опоры. Не пилите концом шины, так как это приведет к возникновению риска отдачи. Особое внимание обращайте на ветки, находящиеся в напряженном состоянии. Не пилите снизу ветки, не имеющие опоры.

Во время раскряжевки не стойте на поваленном бревне.

Врезка и пиление параллельно волокнам

⚠ВНИМАНИЕ: Врезка и пиление параллельно волокнам могут выполняться только лицами, прошедшими специальное обучение. Возможность возникновения отдачи может привести к травме.

Пиление параллельно волокнам должно выполняться под минимальным углом. Соблюдайте максимальную осторожность при пилении из-за невозможности использования зубчатого бампера.

► Рис.28

Валка леса

⚠ВНИМАНИЕ: Валка леса должна выполняться только опытными рабочими. Эта работа очень опасна.

Если вы хотите спилить дерево, соблюдайте местные нормативы.

► Рис.29: 1. Площадь вырубки

— Перед началом работ по валке леса убедитесь, что:

- В непосредственной близости от места работ находится только персонал, связанный с работами по валке;
- Все лица, связанные с выполнением валки, имеют свободный путь отхода в пределах угла в 45° в каждую сторону от оси падения дерева. Рассмотрите вероятность возникновения дополнительного риска от падения дерева на электрические провода;
- Комель дерева в месте его пиления не имеет инородных предметов, корней и веток;
- В том направлении, куда будет падать дерево, люди или предметы находятся на расстоянии, в 2 1/2 раза превышающем высоту спиливаемого дерева.

- При спиливании каждого дерева следует также учитывать следующие факторы:
 - направление наклона;
 - наличие оторванных или сухих ветвей;
 - высота дерева;
 - естественный свес;
 - является ли дерево гнилым или нет.
 - Учитывайте скорость и направление ветра. Не спиливайте деревья при сильных порывах ветра.
 - Обрезка корневых наплывов: Начинайте с самых больших наплывов. Сначала сделайте вертикальный запил и затем горизонтальный.
 - Стойте сбоку от падающего дерева. Обеспечьте наличие свободного участка сзади падающего дерева в пределах угла в 45° в каждую сторону от оси падения дерева (см. рисунок "Площадь вырубki"). Обращайте внимание на падающие ветви.
 - До начала работ необходимо предусмотреть и расчистить (при необходимости) маршрут аварийного покидания территории. Он должен проходить назад и по диагонали от предполагаемой линии валки, как показано на рисунке.
- **Рис.30:** 1. Направление валки деревьев
2. Опасная зона 3. Маршрут эвакуации

При валке леса необходимо соблюдать следующие инструкции:

1. Делайте запил как можно ближе к поверхности земли. Сначала сделайте горизонтальный запил на глубину 1/5-1/3 диаметра бревна. Не делайте его слишком широким. Затем сделайте диагональный запил.

► **Рис.31**

ПРИМЕЧАНИЕ: Запил определяет направление падения дерева и помогает этому. Он делается с той стороны, куда будет падать дерево.

2. Сделайте задний рез немного выше основания запила. Задний рез должен быть точно горизонтальным. Оставьте около 1/10 диаметра дерева между задним резом и запилом. Волокна древесины в нераспиленной части дерева будут действовать как шарнир. Своевременно вставьте клинья в задний рез.

► **Рис.32**

▲ ОСТОРОЖНО: Ни при каких обстоятельствах не пропиливайте волокна до конца. Несоблюдение этой рекомендации приведет к тому, что дерево упадет, а направление его падения будет невозможно предугадать.

ПРИМЕЧАНИЕ: Для сохранения зазора заднего реза следует использовать только пластиковые или алюминиевые клинья. Использование железных клиньев запрещено.

Переноска инструмента

Перед переноской инструмента необходимо включить тормоз цепи и снять блок аккумулятора с инструмента. Затем наденьте крышку пильной шины. Также закройте блок аккумулятора крышкой аккумуляторного отсека.

► **Рис.33:** 1. Крышка пильной шины 2. Крышка аккумуляторной батареи

ОБСЛУЖИВАНИЕ

▲ ВНИМАНИЕ: Перед проведением проверки или работ по техобслуживанию всегда проверяйте, что инструмент выключен, а блок аккумулятора снят.

▲ ВНИМАНИЕ: При выполнении осмотра или обслуживания всегда надевайте перчатки.

ПРИМЕЧАНИЕ: Запрещается использовать бензин, растворители, спирт и другие подобные жидкости. Это может привести к обезжелезиванию, деформации и трещинам.

Для обеспечения БЕЗОПАСНОСТИ и НАДЕЖНОСТИ оборудования ремонт, любое другое техобслуживание или регулировку необходимо производить в уполномоченных сервис-центрах Makita или сервис-центрах предприятия с использованием только сменных частей производства Makita.

Заточка пильной цепи

Выполните заточку пильной цепи, если:

- При пилении влажной древесины образуются рыхлые опилки;
- Цепь с трудом входит в древесину даже при приложении значительного усилия на пилу;
- Края распила имеют явные повреждения;
- Пилу при пилении тянет влево или вправо. (из-за неравномерной заточки пильной цепи или повреждения только с одной стороны)

Выполняйте заточку пильной цепи достаточно часто, но понемногу. Для заточки пилы при проведении повседневного ухода обычно достаточно двух или трех проходов напильником. После нескольких заточек заточите пильную цепь в авторизованном сервисном центре.

Требования к заточке:

▲ ОСТОРОЖНО: Слишком большое расстояние между режущей кромкой и глубиномером повышает риск отбрасывания инструмента из-за отдачи.

- **Рис.34:**
1. Длина режущего элемента
 2. Расстояние между режущей кромкой и глубиномером
 3. Минимальная длина зубьев (3 мм)

- Длина всех зубьев должна быть одинаковой. Зубья разной длины будут затруднять плавное движение пильной цепи и могут привести к ее разрыву.

- Если длина зубьев пильной цепи 3 мм или меньше, заточивать цепь запрещается. Вместо этого ее необходимо заменить.
- Толщина опилка определяется расстоянием между глубиномером (круглый выступ) и краем режущей кромки.
- Наилучшие результаты достигаются при соблюдении следующего расстояния между режущей кромкой и глубиномером.
 - Цепное лезвие 90PX : 0,65 мм

► **Рис.35**

- Угол заточки в 30° должен соблюдаться на всех зубьях. Разница в углах заточки может привести к резкому и неравномерному движению цепи, ускоренному износу и к разрыву цепи.
- Необходимо использовать подходящий круглый напильник, чтобы угол заточки был направлен от зубьев.
 - Цепное лезвие 90PX : 55°

Напильник и заточка напильником

- Для заточки цепей пилы используйте специальный круглый напильник (дополнительная принадлежность). Обычные круглые напильники не подходят для заточки цепей.
- Диаметр круглого напильника для каждой пильной цепи:
 - Цепное лезвие 90PX : 4,5 мм
- Напильник должен стачивать зуб только при движении вперед. При перемещении напильника назад приподнимайте его над зубьями.
- Сначала наточите самый короткий зуб. Длина этого зуба будет служить ориентиром для остальных зубьев пильной цепи.
- Направляйте напильник, как показано на рисунке.

► **Рис.36:** 1. Напильник 2. Пильная цепь

- При использовании держателя напильника (дополнительная принадлежность) направлять напильник будет значительно легче. Держатель напильника имеет метки для правильного угла заточки в 30° (совместите метки параллельно с пильной цепью) и ограничивает глубину проникновения (до 4/5 диаметра напильника).

► **Рис.37:** 1. Держатель напильника

- После заточки цепи проверьте высоту глубиномера, используя для этого измерительный инструмент для цепи (дополнительная принадлежность).

► **Рис.38**

- Удалите любые, даже небольшие, выступы материала при помощи специального плоского напильника (дополнительная принадлежность).
- Закруглите еще раз переднюю часть глубиномера.

Очистка пильной шины

В пазах пильной шины накапливаются щепки и опилки. Это может привести к засорению паза и ухудшить ток масла. Поэтому при заточке или замене пильной цепи необходимо выполнять очистку от щепок и опилок.

► **Рис.39**

Очистка крышки звездочки

Во внутренней части крышки звездочки накапливаются щепки и опилки. Поэтому необходимо снимать крышку звездочки и отсоединять пильную цепь от инструмента, а затем выполнять очистку от щепок и опилок.

► **Рис.40**

Очистка отверстия для подачи масла

Во время работы мелкая пыль или частицы могут скапливаться в отверстии для подачи масла. Они могут негативно повлиять на подачу масла и привести к недостаточной смазке всей пильной цепи. В случае ухудшения подачи масла к цепи в верхней части пильной шины очистите отверстие для подачи масла следующим образом.

1. Снимите крышку звездочки и пильную цепь с инструмента.

2. Удалите мелкую пыль или частицы плоской отверткой или аналогичным инструментом.

► **Рис.41:** 1. Шлицевая отвертка 2. Отверстие нагнетания масла

3. Вставьте блок аккумулятора в инструмент. Нажмите на триггерный переключатель для вымывания пыли и мелких частиц через отверстие подачи масла.

4. Выньте блок аккумулятора из инструмента. Установите крышку звездочки и пильную цепь обратно на инструмент.

Замена звездочки

⚠ВНИМАНИЕ: Изношенная звездочка приведет к повреждению новой пильной цепи. Во избежание этого замените звездочку.

Перед установкой новой пильной цепи проверьте состояние звездочки.

► **Рис.42:** 1. Звездочка 2. Подвергающийся износу участки

При замене звездочки всегда устанавливайте новое блокирующее кольцо.

► **Рис.43:** 1. Блокирующее кольцо 2. Звездочка

ПРИМЕЧАНИЕ: Убедитесь, что звездочка была установлена, как показано на рисунке.

Хранение инструмента

1. Перед хранением почистите пилу. Сняв крышку звездочки, удалите щепки и опилки.

2. После очистки инструмента включите его на холостом ходу, чтобы смазать пильную цепь и пильную шину.

3. Закройте пильную шину крышкой.

4. Опорожните масляный бак.

Указания по периодическому обслуживанию

Чтобы обеспечить продолжительный срок эксплуатации, предотвратить повреждения и обеспечить правильную работу защитных устройств, необходимо регулярно проводить обслуживание. Гарантийные претензии принимаются только при условии надлежащего и регулярного выполнения этих работ. Невыполнение обязательного обслуживания может стать причиной происшествий! Пользователь цепной пилы не должен проводить обслуживание, не описанное в настоящем руководстве. Все подобные работы должны выполняться только в авторизованном сервисном центре.

Элемент, подлежащий проверке / Время эксплуатации		Перед началом работы	Ежедневно	Еженедельно	Каждые 3 месяца	Ежегодно	Перед хранением
Цепная пила	Осмотр.	✓	-	-	-	-	-
	Очистка.	-	✓	-	-	-	-
	Проверьте в авторизованном сервисном центре.	-	-	-	-	✓	✓
Пильная цепь	Осмотр.	✓	-	-	-	-	-
	При необходимости заточите.	-	-	-	-	-	✓
Пильная шина	Осмотр.	✓	✓	-	-	-	-
	Снимите с цепной пилы.	-	-	-	-	-	✓
Тормоз цепи	Проверьте работу.	✓	-	-	-	-	-
	Регулярно передавать для осмотра в авторизованный сервисный центр.	-	-	-	✓	-	-
Смазка цепи	Проверьте скорость подачи масла.	✓	-	-	-	-	-
Триггерный переключатель	Осмотр.	✓	-	-	-	-	-
Кнопка разблокировки	Осмотр.	✓	-	-	-	-	-
Крышка маслобака	Проверьте герметичность.	✓	-	-	-	-	-
Уловитель цепи	Осмотр.	-	-	✓	-	-	-
Винты и гайки	Осмотр.	-	-	✓	-	-	-

ПОИСК И УСТРАНЕНИЕ НЕИСПРАВНОСТЕЙ

Прежде чем обращаться по поводу ремонта, проведите осмотр самостоятельно. Если обнаружена неисправность, не указанная в руководстве, не пытайтесь разобрать инструмент. Обратитесь в один из авторизованных сервисных центров Makita, в которых для ремонта всегда используются оригинальные детали Makita.

Неисправность	Причина	Действие
Цепная пила не включается.	Не вставлен блок аккумулятора.	Установите заряженный блок аккумулятора.
	Неисправен аккумулятор (низкое напряжение).	Подзарядите блок аккумулятора. Если подзарядка не помогает, замените блок аккумулятора.
Пильная цепь не работает.	Включен тормоз цепи.	Отпустите тормоз цепи.
После непродолжительного использования двигатель останавливается.	Низкий уровень заряда аккумулятора.	Подзарядите блок аккумулятора. Если подзарядка не помогает, замените блок аккумулятора.
Нет масла на цепи.	Масляный бак пуст.	Заполните масляный бак.
	Загрязнен направляющий желоб для масла.	Очистите желоб.
Цепная пила не достигает максимального числа оборотов в минуту.	Неправильно установлен блок аккумулятора.	Вставьте блок аккумулятора, как описано в настоящем руководстве.
	Заряд аккумулятора падает.	Зарядите блок аккумулятора. Если перезарядка не помогает, замените блок аккумулятора.
	Привод работает неправильно.	Обратитесь в авторизованный сервисный центр в вашем регионе для выполнения ремонта.
Цепь не останавливается даже после включения тормоза цепи. Немедленно остановите инструмент!	Тормозная лента износилась.	Обратитесь в авторизованный сервисный центр в вашем регионе для выполнения ремонта.
Сильная вибрация: Немедленно остановите инструмент!	Ослабьте пильную шину или пильную цепь.	Отрегулируйте натяжение пильной шины и пильной цепи.
	Неисправность инструмента.	Обратитесь в авторизованный сервисный центр в вашем регионе для выполнения ремонта.
Невозможно установить пильную цепь.	Неправильное сочетание пильной цепи и звездочки.	Используйте правильную комбинацию пильной цепи и звездочки (см. раздел технических характеристик).

ДОПОЛНИТЕЛЬНЫЕ ПРИНАДЛЕЖНОСТИ

ВНИМАНИЕ: Данные принадлежности или приспособления рекомендуются для использования с инструментом Makita, указанным в настоящем руководстве. Использование других принадлежностей или приспособлений может привести к получению травмы. Используйте принадлежность или приспособление только по указанному назначению.

ОСТОРОЖНО: При покупке пильной шины, которая отличается по длине от стандартной модели, вместе с ней необходимо также приобрести крышку пильной шины подходящего размера. Убедитесь, что эта крышка подходит и полностью закрывает пильную шину цепной пилы.

ПРИМЕЧАНИЕ: Некоторые элементы списка могут входить в комплект инструмента в качестве стандартных приспособлений. Они могут отличаться в зависимости от страны.

Если вам необходимо содействие в получении дополнительной информации по этим принадлежностям, свяжитесь с вашим сервис-центром Makita.

- Пильная цепь
- Пильная шина
- Крышка пильной шины
- Напильник
- Сумка для инструмента
- Оригинальный аккумулятор и зарядное устройство Makita

© KOMFORT



Makita Europe N.V. Jan-Baptist Vinkstraat 2,
3070 Kortenberg, Belgium

Makita Corporation 3-11-8, Sumiyoshi-cho,
Anjo, Aichi 446-8502 Japan

www.makita.com

885980-984 EN, SV, NO, FI, DA, LV, LT, ET, RU 20220426
