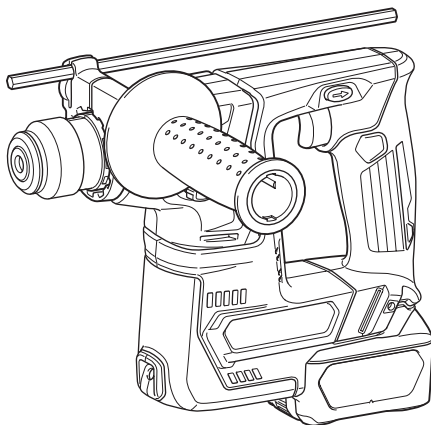




EN	Cordless Rotary Hammer	INSTRUCTION MANUAL	6
SV	Batteridrivnen borrhammare	BRUKSANVISNING	12
NO	Batteridrevet borhammer	BRUKSANVISNING	18
FI	Akkukäyttöinen poravasara	KÄYTTÖOHJE	24
LV	Bezvada perforators	LIETOŠANAS INSTRUKCIJA	30
LT	Akumuliatorinis smūginis grąžtas	NAUDOJIMO INSTRUKCIJA	36
ET	Juhtmeta puurvasar	KASUTUSJUHEND	42
RU	Аккумуляторный Перфоратор	РУКОВОДСТВО ПО ЭКСПЛУАТАЦИИ	48

HR140D



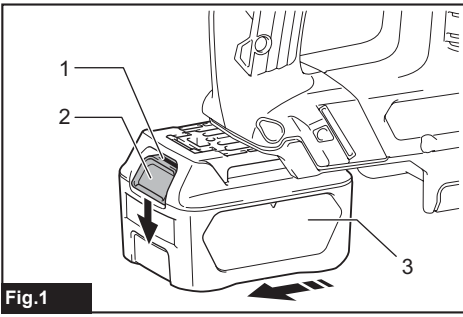


Fig. 1

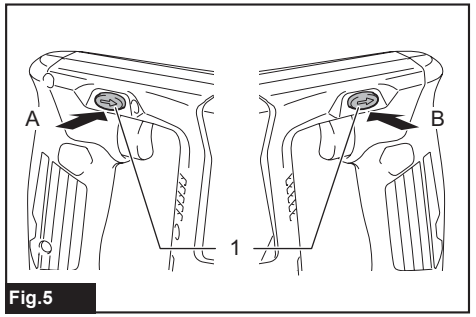


Fig. 5

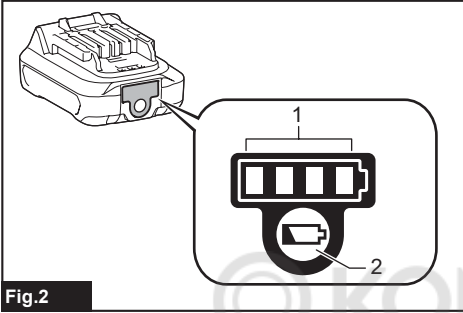


Fig. 2

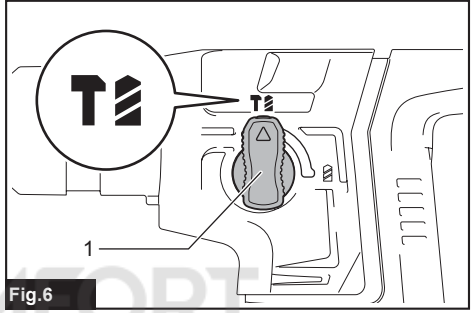


Fig. 6

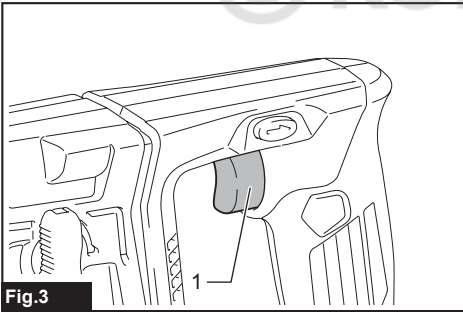


Fig. 3

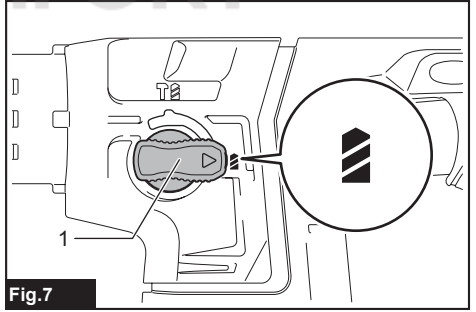


Fig. 7

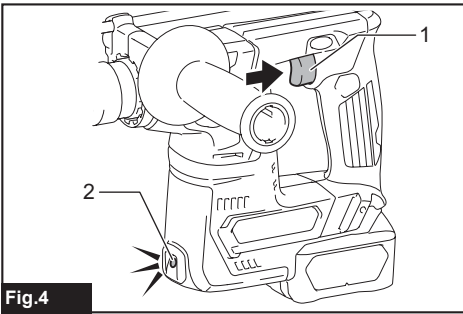


Fig. 4

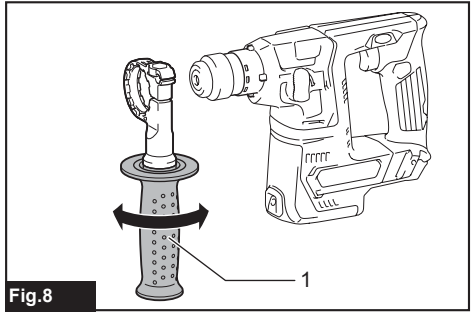
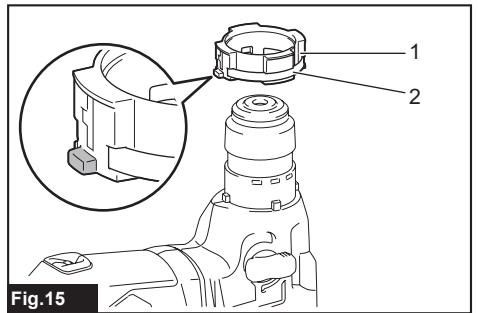
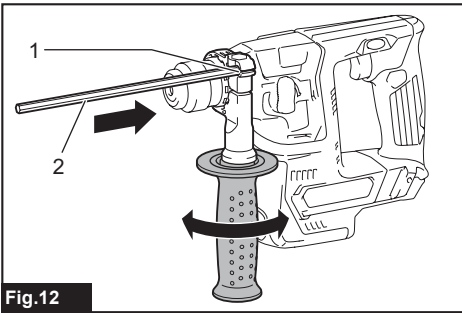
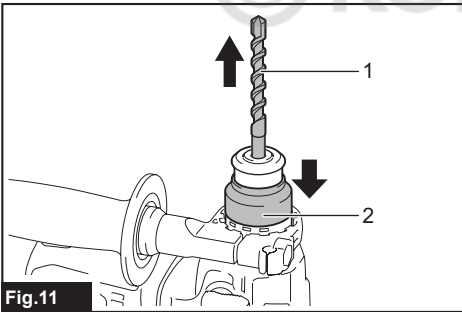
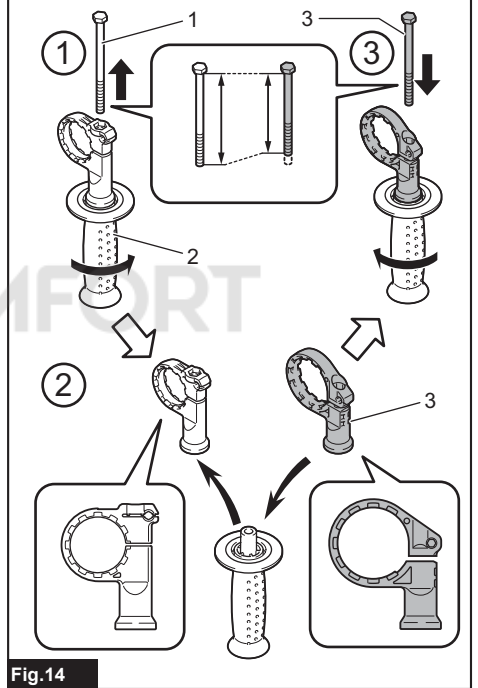
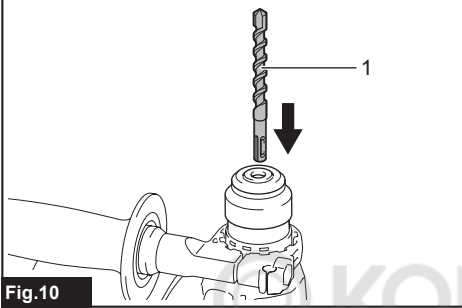
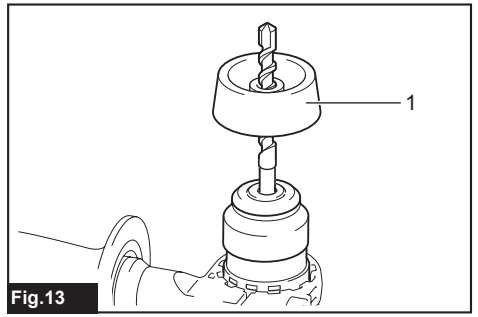
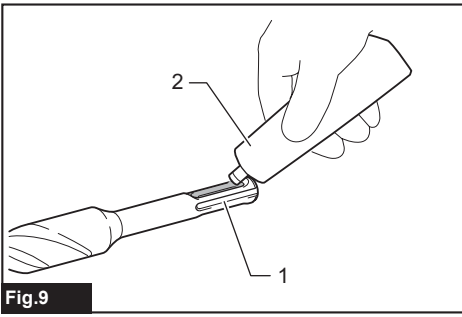
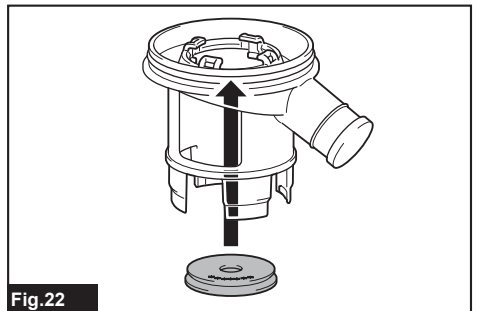
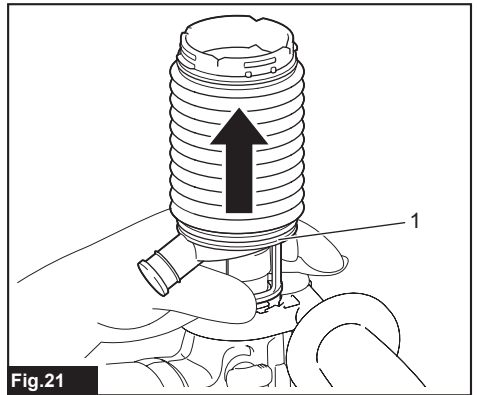
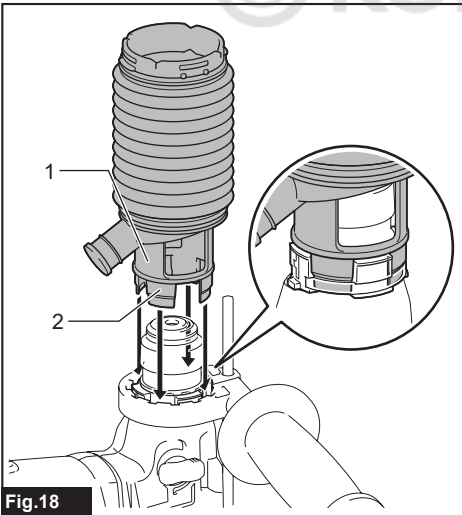
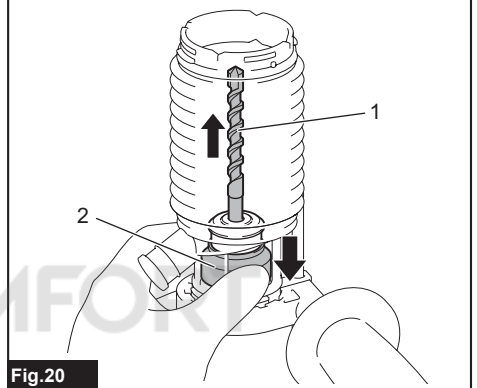
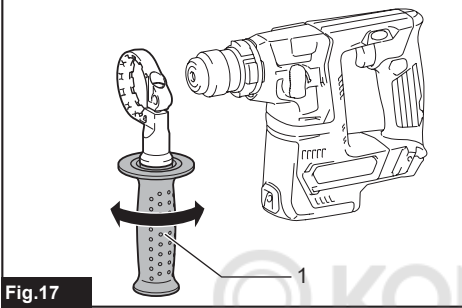
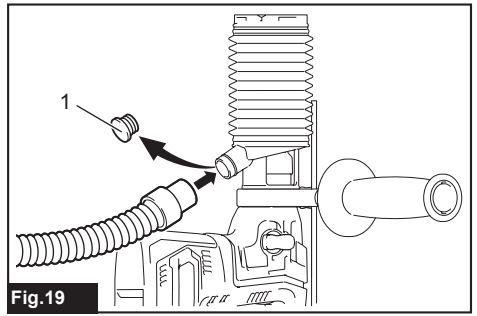
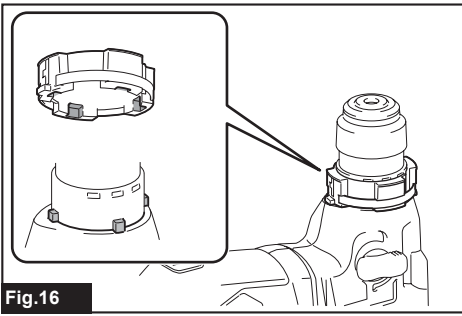


Fig. 8





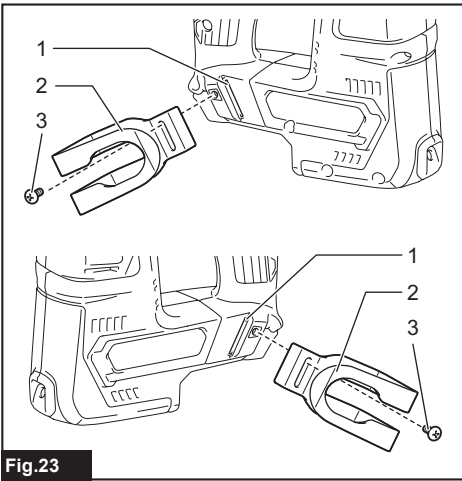


Fig.23

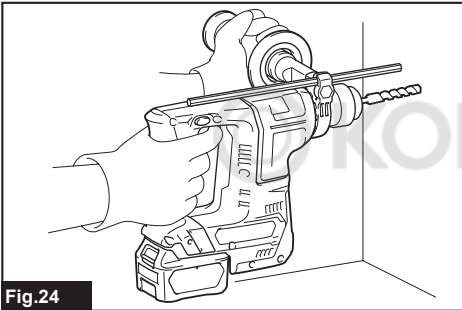


Fig.24

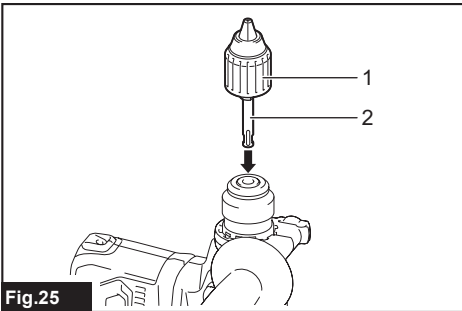
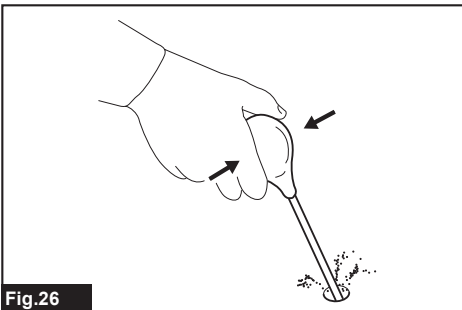


Fig.25



SPECIFICATIONS

Model:		HR140D
Drilling capacities	Concrete	14 mm
	Steel	10 mm
	Wood	13 mm
No load speed		0 - 850 min ⁻¹
Blows per minute		0 - 4,900 min ⁻¹
Overall length		246 mm
Rated voltage		D.C. 10.8 V - 12 V max
Standard battery cartridge		BL1015 / BL1016 / BL1020B / BL1021B / BL1040B / BL1041B
Net weight		1.9 - 2.6 kg

- Due to our continuing program of research and development, the specifications herein are subject to change without notice.
- Specifications and battery cartridge may differ from country to country.
- The weight may differ depending on the attachment(s), including the battery cartridge. The lightest and heaviest combination, according to EPTA-Procedure 01/2014, are shown in the table.

Intended use

The tool is intended for hammer drilling and drilling in brick, concrete and stone.

It is also suitable for drilling without impact in wood, metal, ceramic and plastic.

Noise

The typical A-weighted noise level determined according to EN60745:

Sound pressure level (L_{pA}) : 84 dB(A)

Sound power level (L_{WA}) : 95 dB (A)

Uncertainty (K) : 3 dB(A)

⚠ WARNING: Wear ear protection.

Vibration

The vibration total value (tri-axial vector sum) determined according to EN60745:

Work mode: hammer drilling into concrete

Vibration emission ($a_{h,HD}$) : 6.5 m/s²

Uncertainty (K) : 1.5 m/s²

Work mode: drilling into metal

Vibration emission ($a_{n,D}$) : 3.0 m/s² or less

Uncertainty (K) : 1.5 m/s²

NOTE: The declared vibration emission value has been measured in accordance with the standard test method and may be used for comparing one tool with another.

NOTE: The declared vibration emission value may also be used in a preliminary assessment of exposure.

⚠ WARNING: The vibration emission during actual use of the power tool can differ from the declared emission value depending on the ways in which the tool is used.

⚠ WARNING: Be sure to identify safety measures to protect the operator that are based on an estimation of exposure in the actual conditions of use (taking account of all parts of the operating cycle such as the times when the tool is switched off and when it is running idle in addition to the trigger time).

EC Declaration of Conformity

For European countries only

The EC declaration of conformity is included as Annex A to this instruction manual.

SAFETY WARNINGS

General power tool safety warnings

⚠ WARNING: Read all safety warnings, instructions, illustrations and specifications provided with this power tool. Failure to follow all instructions listed below may result in electric shock, fire and/or serious injury.

Save all warnings and instructions for future reference.

The term "power tool" in the warnings refers to your mains-operated (corded) power tool or battery-operated (cordless) power tool.

CORDLESS ROTARY HAMMER SAFETY WARNINGS

1. **Wear ear protectors.** Exposure to noise can cause hearing loss.
2. **Use auxiliary handle(s), if supplied with the tool.** Loss of control can cause personal injury.
3. **Hold power tool by insulated gripping surfaces, when performing an operation where the cutting accessory may contact hidden wiring.** Cutting accessory contacting a "live" wire may make exposed metal parts of the power tool "live" and could give the operator an electric shock.
4. **Wear a hard hat (safety helmet), safety glasses and/or face shield.** Ordinary eye or sun glasses are NOT safety glasses. It is also highly recommended that you wear a dust mask and thickly padded gloves.
5. **Be sure the bit is secured in place before operation.**
6. **Under normal operation, the tool is designed to produce vibration. The screws can come loose easily, causing a breakdown or accident. Check tightness of screws carefully before operation.**
7. **In cold weather or when the tool has not been used for a long time, let the tool warm up for a while by operating it under no load. This will loosen up the lubrication. Without proper warm-up, hammering operation is difficult.**
8. **Always be sure you have a firm footing. Be sure no one is below when using the tool in high locations.**
9. **Hold the tool firmly with both hands.**
10. **Keep hands away from moving parts.**
11. **Do not leave the tool running. Operate the tool only when hand-held.**
12. **Do not point the tool at any one in the area when operating. The bit could fly out and injure someone seriously.**
13. **Do not touch the bit, parts close to the bit, or workpiece immediately after operation; they may be extremely hot and could burn your skin.**
14. **Some material contains chemicals which may be toxic. Take caution to prevent dust inhalation and skin contact. Follow material supplier safety data.**
15. **Always be sure that the tool is switched off and the battery cartridge and the bit are removed before handing the tool to other person.**

SAVE THESE INSTRUCTIONS.

⚠WARNING: DO NOT let comfort or familiarity with product (gained from repeated use) replace strict adherence to safety rules for the subject product. MISUSE or failure to follow the safety rules stated in this instruction manual may cause serious personal injury.

Important safety instructions for battery cartridge

1. **Before using battery cartridge, read all instructions and cautionary markings on (1) battery charger, (2) battery, and (3) product using battery.**
2. **Do not disassemble battery cartridge.**
3. **If operating time has become excessively shorter, stop operating immediately. It may result in a risk of overheating, possible burns and even an explosion.**
4. **If electrolyte gets into your eyes, rinse them out with clear water and seek medical attention right away. It may result in loss of your eyesight.**
5. **Do not short the battery cartridge:**
 - (1) **Do not touch the terminals with any conductive material.**
 - (2) **Avoid storing battery cartridge in a container with other metal objects such as nails, coins, etc.**
 - (3) **Do not expose battery cartridge to water or rain.**

A battery short can cause a large current flow, overheating, possible burns and even a breakdown.
6. **Do not store the tool and battery cartridge in locations where the temperature may reach or exceed 50 °C (122 °F).**
7. **Do not incinerate the battery cartridge even if it is severely damaged or is completely worn out. The battery cartridge can explode in a fire.**
8. **Be careful not to drop or strike battery.**
9. **Do not use a damaged battery.**
10. **The contained lithium-ion batteries are subject to the Dangerous Goods Legislation requirements.**

For commercial transports e.g. by third parties, forwarding agents, special requirement on packaging and labeling must be observed. For preparation of the item being shipped, consulting an expert for hazardous material is required. Please also observe possibly more detailed national regulations.

Tape or mask off open contacts and pack up the battery in such a manner that it cannot move around in the packaging.
11. **Follow your local regulations relating to disposal of battery.**
12. **Use the batteries only with the products specified by Makita.** Installing the batteries to non-compliant products may result in a fire, excessive heat, explosion, or leak of electrolyte.

SAVE THESE INSTRUCTIONS.

⚠CAUTION: Only use genuine Makita batteries. Use of non-genuine Makita batteries, or batteries that have been altered, may result in the battery bursting causing fires, personal injury and damage. It will also void the Makita warranty for the Makita tool and charger.

Tips for maintaining maximum battery life

1. Charge the battery cartridge before completely discharged. Always stop tool operation and charge the battery cartridge when you notice less tool power.
2. Never recharge a fully charged battery cartridge. Overcharging shortens the battery service life.
3. Charge the battery cartridge with room temperature at 10 °C - 40 °C (50 °F - 104 °F). Let a hot battery cartridge cool down before charging it.

FUNCTIONAL DESCRIPTION

CAUTION: Always be sure that the tool is switched off and the battery cartridge is removed before adjusting or checking function on the tool.

Installing or removing battery cartridge

CAUTION: Always switch off the tool before installing or removing of the battery cartridge.

CAUTION: Hold the tool and the battery cartridge firmly when installing or removing battery cartridge. Failure to hold the tool and the battery cartridge firmly may cause them to slip off your hands and result in damage to the tool and battery cartridge and a personal injury.

► Fig.1: 1. Red indicator 2. Button 3. Battery cartridge

To remove the battery cartridge, slide it from the tool while sliding the button on the front of the cartridge.

To install the battery cartridge, align the tongue on the battery cartridge with the groove in the housing and slip it into place. Insert it all the way until it locks in place with a little click. If you can see the red indicator on the upper side of the button, it is not locked completely.

CAUTION: Always install the battery cartridge fully until the red indicator cannot be seen. If not, it may accidentally fall out of the tool, causing injury to you or someone around you.

CAUTION: Do not install the battery cartridge forcibly. If the cartridge does not slide in easily, it is not being inserted correctly.

Battery protection system

The tool is equipped with a battery protection system. This system automatically cuts off power to the motor to extend battery life.

The tool will automatically stop during operation if the tool and/or battery are placed under one of the following conditions:

Overloaded:

The tool is operated in a manner that causes it to draw an abnormally high current.

In this situation, turn the tool off and stop the application that caused the tool to become overloaded. Then turn the tool on to restart.

If the tool does not start, the battery is overheated. In this situation, let the battery cool before turning the tool on again.

Low battery voltage:

The remaining battery capacity is too low and the tool will not operate. If you turn the tool on, the motor runs again but stops soon. In this situation, remove and recharge the battery.

Indicating the remaining battery capacity

Only for battery cartridges with the indicator

► Fig.2: 1. Indicator lamps 2. Check button

Press the check button on the battery cartridge to indicate the remaining battery capacity. The indicator lamps light up for a few seconds.

Indicator lamps		Remaining capacity
Lighted	Off	
■ ■ ■ ■	□	75% to 100%
■ ■ ■ □	□	50% to 75%
■ ■ □ □	□	25% to 50%
■ □ □ □	□	0% to 25%

NOTE: Depending on the conditions of use and the ambient temperature, the indication may differ slightly from the actual capacity.

Switch action

WARNING: Before installing the battery cartridge into the tool, always check to see that the switch trigger actuates properly and returns to the "OFF" position when released.

► Fig.3: 1. Switch trigger

To start the tool, simply pull the switch trigger. Tool speed is increased by increasing pressure on the switch trigger. Release the switch trigger to stop.

Lighting up the front lamp

► Fig.4: 1. Switch trigger 2. Lamp

CAUTION: Do not look in the light or see the source of light directly.

Pull the switch trigger to light up the lamp. The lamp keeps on lighting while the switch trigger is being pulled. The lamp goes out approximately 10 seconds after releasing the switch trigger.

NOTE: Use a dry cloth to wipe the dirt off the lens of the lamp. Be careful not to scratch the lens of lamp, or it may lower the illumination.

Reversing switch action

► Fig.5: 1. Reversing switch lever

CAUTION: Always check the direction of rotation before operation.

CAUTION: Use the reversing switch only after the tool comes to a complete stop. Changing the direction of rotation before the tool stops may damage the tool.

CAUTION: When not operating the tool, always set the reversing switch lever to the neutral position.

This tool has a reversing switch to change the direction of rotation. Depress the reversing switch lever from the A side for clockwise rotation or from the B side for counterclockwise rotation.


When the reversing switch lever is in the neutral position, the switch trigger cannot be pulled.

Selecting the action mode

NOTICE: Do not rotate the action mode changing knob when the tool is running. The tool will be damaged.


NOTICE: To avoid rapid wear on the mode change mechanism, be sure that the action mode changing knob is always positively located in one of the action mode positions.

Rotation with hammering

For drilling in concrete, masonry, etc., rotate the action mode changing knob to the  symbol. Use a carbide-tipped drill bit.

► Fig.6: 1. Action mode changing knob

Rotation only

For drilling in wood, metal or plastic materials, rotate the action mode changing knob to the  symbol. Use a twist drill bit or wood drill bit.

► Fig.7: 1. Action mode changing knob

ASSEMBLY

CAUTION: Always be sure that the tool is switched off and the battery cartridge is removed before carrying out any work on the tool.

Side grip (auxiliary handle)

CAUTION: Always use the side grip to ensure safe operation.

CAUTION: After installing or adjusting the side grip, make sure that the side grip is firmly secured.

Install the side grip so that the grooves on the grip fit in the protrusions on the tool barrel. Turn the grip clockwise to secure it. The grip can be fixed at desired angle.

► Fig.8: 1. Side grip

Grease

Coat the shank end of the drill bit beforehand with a small amount of grease (about 0.5 - 1 g). This chuck lubrication assures smooth action and longer service life.

Installing or removing drill bit

Clean the shank end of the drill bit and apply grease before installing the drill bit.

► Fig.9: 1. Shank end 2. Grease

Insert the drill bit into the tool. Turn the drill bit and push it in until it engages.

After installing the drill bit, always make sure that the drill bit is securely held in place by trying to pull it out.

► Fig.10: 1. Drill bit

To remove the drill bit, pull the chuck cover down all the way and pull the drill bit out.

► Fig.11: 1. Drill bit 2. Chuck cover

Depth gauge

The depth gauge is convenient for drilling holes of uniform depth. Loosen the side grip and insert the depth gauge into the hole on the side grip. Adjust the depth gauge to the desired depth and tighten the side grip firmly.

► Fig.12: 1. Hole 2. Depth gauge

NOTE: Make sure that the depth gauge does not touch the main body of the tool when attaching it.

Dust cup (optional accessory)

Use the dust cup to prevent dust from falling over the tool and on yourself when performing overhead drilling operations. Attach the dust cup to the bit as shown in the figure. The size of bits which the dust cup can be attached to is as follows.

Model	Bit diameter
Dust cup 5	6 mm - 14.5 mm
Dust cup 9	12 mm - 16 mm

► Fig.13: 1. Dust cup

Dust cup set

Optional accessory

NOTICE: If you purchase the dust cup set as optional accessory, the standard side grip cannot be used with the dust cup set being installed on the tool. When the dust cup set is installed on the tool, remove the grip from the standard side grip, and then attach it to the optional grip base set.

► **Fig.14:** 1. Bolt 2. Grip 3. Optional grip base set

NOTICE: Do not use the dust cup set when drilling in metal or similar. It may damage the dust cup set due to the heat produced by small metal dust or similar. Do not install or remove the dust cup set with the drill bit installed in the tool. It may damage the dust cup set and cause dust leak.

Before installing the dust cup set, remove the bit from the tool if installed.

Install the spacer so that the grooves on the spacer fit in the protrusions on the tool barrel while widening it. Be careful for the spring not to come off from the slit of spacer.

► **Fig.15:** 1. Spacer 2. Spring

► **Fig.16**

Install the side grip (optional grip base set and the grip removed from standard side grip) so that the groove on the grip fit in the protrusion on the spacer. Turn the grip clockwise to secure it.

► **Fig.17:** 1. Side grip

Install the dust cup set so that the claws of the dust cup fit in the slits on the spacer.

► **Fig.18:** 1. Dust cup 2. Claws

NOTE: If you connect a vacuum cleaner to the dust cup set, remove the dust cap before connecting it.

► **Fig.19:** 1. Dust cap

To remove the drill bit, pull the chuck cover down all the way and pull the drill bit out.

► **Fig.20:** 1. Bit 2. Chuck cover

To remove the dust cup set, hold the root of dust cup and pull it out.

► **Fig.21:** 1. Dust cup

NOTE: If the cap comes off from the dust cup, attach it with its printed side facing up so that groove on the cap fits in the inside periphery of the attachment.

► **Fig.22**

Hook

Optional accessory

CAUTION: Always remove the battery when hanging the tool with the hook.

CAUTION: Never hook the tool at high location or on potentially unstable surface.

► **Fig.23:** 1. Groove 2. Hook 3. Screw

The hook is convenient for temporarily hanging the tool. This can be installed on either side of the tool.

To install the hook, insert it into a groove in the tool housing on either side and then secure it with a screw.

To remove, loosen the screw and then take it out.

OPERATION

CAUTION: Always use the side grip (auxiliary handle) and firmly hold the tool by both side grip and switch handle during operations.


CAUTION: Always make sure that the workpiece is secured before operation.

NOTE: If the battery cartridge is in low temperature, the tool's capability may not be fully obtained. In this case, warm up the battery cartridge by using the tool with no load for a while to fully obtain the tool's capability.

► **Fig.24**

Hammer drilling operation

CAUTION: There is tremendous and sudden twisting force exerted on the tool/drill bit at the time of hole break-through, when the hole becomes clogged with chips and particles, or when striking reinforcing rods embedded in the concrete. **Always use the side grip (auxiliary handle) and firmly hold the tool by both side grip and switch handle during operations.** Failure to do so may result in the loss of control of the tool and potentially severe injury.

Set the action mode changing knob to the  symbol. Position the drill bit at the desired location for the hole, then pull the switch trigger. Do not force the tool. Light pressure gives best results. Keep the tool in position and prevent it from slipping away from the hole.

Do not apply more pressure when the hole becomes clogged with chips or particles. Instead, run the tool at an idle, then remove the drill bit partially from the hole. By repeating this several times, the hole will be cleaned out and normal drilling may be resumed.

NOTE: Eccentricity in the drill bit rotation may occur while operating the tool with no load. The tool automatically centers itself during operation. This does not affect the drilling precision.

Drilling in wood or metal

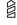
CAUTION: Hold the tool firmly and exert care when the drill bit begins to break through the workpiece. There is a tremendous force exerted on the tool/drill bit at the time of hole break through.

CAUTION: A stuck drill bit can be removed simply by setting the reversing switch to reverse rotation in order to back out. However, the tool may back out abruptly if you do not hold it firmly.

CAUTION: Always secure workpieces in a vise or similar hold-down device.

NOTICE: Never use “rotation with hammering” when the drill chuck is installed on the tool. The drill chuck may be damaged. Also, the drill chuck will come off when reversing the tool.

NOTICE: Pressing excessively on the tool will not speed up the drilling. In fact, this excessive pressure will only serve to damage the tip of your drill bit, decrease the tool performance and shorten the service life of the tool.

Set the action mode changing knob to the  symbol. Attach the chuck adapter to a keyless drill chuck to which 1/2"-20 size screw can be installed, and then install them to the tool. When installing it, refer to the section “Installing or removing drill bit”.

► **Fig.25:** 1. Drill chuck assembly 2. Chuck adapter

Blow-out bulb

Optional accessory

After drilling the hole, use the blow-out bulb to clean the dust out of the hole.

► **Fig.26**

MAINTENANCE

CAUTION: Always be sure that the tool is switched off and the battery cartridge is removed before attempting to perform inspection or maintenance.

NOTICE: Never use gasoline, benzine, thinner, alcohol or the like. Discoloration, deformation or cracks may result.

To maintain product SAFETY and RELIABILITY, repairs, any other maintenance or adjustment should be performed by Makita Authorized or Factory Service Centers, always using Makita replacement parts.

OPTIONAL ACCESSORIES

CAUTION: These accessories or attachments are recommended for use with your Makita tool specified in this manual. The use of any other accessories or attachments might present a risk of injury to persons. Only use accessory or attachment for its stated purpose.

If you need any assistance for more details regarding these accessories, ask your local Makita Service Center.

- Carbide-tipped drill bits (SDS-Plus carbide-tipped bits)
- Chuck adapter
- Keyless drill chuck
- Bit grease
- Depth gauge
- Blow-out bulb
- Dust cup
- Dust cup set
- Grip base set
- Safety goggles
- Hook
- Makita genuine battery and charger
- Plastic carrying case

NOTE: Some items in the list may be included in the tool package as standard accessories. They may differ from country to country.

SPECIFIKATIONER

Modell:		HR140D
Borrkapaciteter	Cement	14 mm
	Stål	10 mm
	Trä	13 mm
Hastighet utan belastning		0 - 850 min ⁻¹
Slag per minut		0 - 4 900 min ⁻¹
Total längd		246 mm
Märkspänning		10,8 V likström - 12 V max
Standardbatterikassett		BL1015 / BL1016 / BL1020B / BL1021B / BL1040B / BL1041B
Nettovikt		1,9 - 2,6 kg

- På grund av vårt pågående program för forskning och utveckling kan dessa specifikationer ändras utan föregående meddelande.
- Specifikationer och batterikassett kan variera mellan olika länder.
- Vikten kan variera beroende på tillbehören, inklusive batterikassett. Den lättaste och den tyngsta kombinationen enligt EPTA-procedur 01/2014 visas i tabellen.

Avsedd användning

Maskinen är avsedd för slagborrning och borrning i tegel, betong och sten. Den är även lämpad för borrning utan slag i trä, metall, keramik och plast.

Buller

Den normala bullernivån för A-belastning är bestämd enligt EN60745:

Ljudtrycksnivå (L_{pA}): 84 dB (A)

Ljudeffektnivå (L_{WA}): 95 dB (A)

Mättolerans (K): 3 dB (A)

⚠ VARNING: Använd hörselskydd.

Vibration

Det totala vibrationsvärdet (treaxlad vektorsumma) bestämt enligt EN60745:

Arbetsläge: slagborrning i betong

Vibrationsemission ($a_{h,HD}$): 6,5 m/s²

Mättolerans (K): 1,5 m/s²

Arbetsläge: borrning i metall

Vibrationsemission ($a_{h,D}$): 3,0 m/s² eller lägre

Mättolerans (K): 1,5 m/s²

OBS: Det deklarerade vibrationsemissionsvärdet har uppmätts i enlighet med standardtestmetoden och kan användas för att jämföra en maskin med en annan.

OBS: Det deklarerade vibrationsemissionsvärdet kan också användas i en preliminär bedömning av exponering för vibration.

⚠ VARNING: Vibrationsemissionen under faktisk användning av maskinen kan skilja sig från det deklarerade emissionsvärdet, beroende på hur maskinen används.

⚠ VARNING: Var noga med att identifiera säkerhetsåtgärder för att skydda användaren, vilka är grundade på en uppskattning av graden av exponering för vibrationer under de faktiska användningsförhållandena, (ta, förutom avtryckartiden, med alla delar av användarcykeln i beräkningen, som till exempel tiden då maskinen är avstängd och när den går på tomgång).

EG-försäkring om överensstämmelse

Gäller endast inom EU

EG-försäkring om överensstämmelse inkluderas som bilaga A till denna bruksanvisning.

SÄKERHETSVARNINGAR

Allmänna säkerhetsvarningar för maskiner

⚠ VARNING: Läs alla säkerhetsvarningar, anvisningar, illustrationer och specifikationer som medföljer det här maskinen. Underlåtenhet att följa instruktionerna kan leda till elstöt, brand och/eller allvarliga personskador.

Spara alla varningar och instruktioner för framtida referens.

Termen "maskin" som anges i varningarna hänvisar till din eldrivna maskin (sladdansluten) eller batteridrivna maskin (sladdlös).

SÄKERHETSVARNINGAR FÖR BATTERIDRIVEN BORRHAMMARE

1. Använd hörselskydd. Kraftigt buller kan orsaka hörselskador.
2. Använd extrahandtag om det levereras med maskinen. Om du förlorar kontrollen över maskinen kan det leda till personskador.
3. Håll verktyget i de isolerade handtagen om det finns risk för att sågverktyget kan komma i kontakt med en dold elkabel. Om sågverktyget kommer i kontakt med en strömförande ledning blir verktygets blottlagda metalldelar strömförande och kan ge användaren en elektrisk stöt.
4. Använd en hård hjälm (skyddshjälmskydd), skyddsglasögon och/eller ansiktsskydd. Vanliga glasögon och solglasögon är INTE skyddsglasögon. Du bör också bära ett dammskydd och tjockt fodrade handskar.
5. Se till att borret sitter säkert innan maskinen används.
6. Under normal användning vibrerar maskinen. Skruvarna kan lätt lossna, vilket kan orsaka maskinhaveri eller en olycka. Kontrollera att skruvarna är åtdragna innan maskinen används.
7. I kall väderlek, eller när verktyget inte använts under en längre tid, bör du värma upp verktyget genom att använda det utan belastning. Detta gör smörjningen mer viskös. Utan uppvärmning blir det svårt att använda hammaren.
8. Se till att alltid ha ordentligt fötfälle. Se till att ingen står under dig när maskinen används på hög höjd.
9. Håll maskinen stadigt med båda händerna.
10. Håll händerna borta från rörliga delar.
11. Lämna inte maskinen igång. Använd endast maskinen när du håller den i händerna.
12. Rikta inte maskinen mot någon när den används. Borret kan flyga ut och skada någon allvarligt.
13. Rör inte vid borret, närliggande delar eller arbetsstycket efter användning, då de kan vara extremt varma och orsaka brännskador.
14. Vissa material kan innehålla giftiga kemikalier. Se till att du inte andas in damm eller får det på huden. Följ anvisningarna i leverantörens materialsäkerhetsblad.
15. Se alltid till att maskinen är avstängd och att batterikassetten och bitset är borttagna innan du ger maskinen till en annan person.

SPARA DESSA ANVISNINGAR.

⚠ VARNING: GLÖM INTE att också fortsättningsvis strikt följa säkerhetsanvisningarna för maskinen även efter att du blivit van att använda den. Vid FELAKTIG HANTERING av maskinen eller om inte säkerhetsanvisningarna i denna bruksanvisning följs kan följden bli allvarliga personskador.

Viktiga säkerhetsanvisningar för batterikassetten

1. Innan batterikassetten används ska alla instruktationer och varningsmärken på (1) batteriladdaren, (2) batteriet och (3) produkten läsas.
2. Montera inte isär batterikassetten.
3. Om drifttiden blivit avsevärt kortare ska användningen avbrytas omedelbart. Det kan uppstå överhettning, brännskador och t o m en explosion.
4. Om du får elektrolyt i ögonen ska de sköljas med rent vatten och läkare uppsökas omedelbart. Det finns risk för att synen förloras.
5. Kortslut inte batterikassetten.
 - (1) Rör inte vid polerna med något strömförande material.
 - (2) Undvik att förvara batterikassetten tillsammans med andra metallobjekt som t.ex. spikar, mynt o.s.v.
 - (3) Skydda batteriet mot vatten och regn. En batterikortslutning kan orsaka ett stort strömflöde, överhettning, brand och maskinhaveri.
6. Förvara inte maskinen och batterikassetten på platser där temperaturen kan nå eller överstiga 50 °C.
7. Bränn inte upp batterikassetten även om den är svårt skadad eller helt utsletten. Batterikassetten kan explodera i öppen eld.
8. Var försiktig så att du inte råkar tappa batteriet och utsätt det inte för stötar.
9. Använd inte ett skadat batteri.
10. De medföljande litiumjonbatterierna är föremål för kraven i gällande lagstiftning för farligt gods. För kommersiella transporter (av t.ex. tredje parter som speditorsfirmor) måste de särskilda transportkrav som anges på emballaget och etiketter iakttagas. För att förbereda den produkt som ska avsändas krävs att du konsulterar en expert på riskmaterial. Var också uppmärksam på att det i ditt land kan finnas ytterligare föreskrifter att följa. Tejpa över eller maskera blottade kontakter och packa batteriet på sådant sätt att det inte kan röra sig fritt i förpackningen.
11. Följ lokala föreskrifter beträffande avfallshandtering av batteriet.
12. Använd endast batterierna med de produkter som specificerats av Makita. Att använda batterierna med ej godkända produkter kan leda till brand, överdriven värme, explosion eller utläckande elektrolyt.

SPARA DESSA ANVISNINGAR.

⚠ FÖRSIKTIGT: Använda endast äkta Makita-batterier. Användning av oäkta Makita-batterier eller batterier som har manipulerats kan leda till person- och utrustningsskador eller till att batteriet fattar eld. Det upphäver också Makitas garanti för verktyget och laddaren.

Tips för att uppnå batteriets maximala livslängd

1. Ladda batterikassetten innan den är helt urladdad. Stanna alltid maskinen och ladda batterikassetten när du märker att maskinen blir svagare.
2. Ladda aldrig en fulladdad batterikasset. Överladdning förkortar batteriets livslängd.
3. Ladda batterikassetten vid en rumstemperatur på 10 °C - 40 °C. Låt en varm batterikasset svalna innan den laddas.

FUNKTIONSBESKRIVNING

⚠ FÖRSIKTIGT: Se alltid till att maskinen är avstängd och batterikassetten borttagen innan du justerar maskinen eller kontrollerar dess funktioner.

Montera eller demontera batterikassetten

⚠ FÖRSIKTIGT: Stäng alltid av maskinen innan du monterar eller tar bort batterikassetten.

⚠ FÖRSIKTIGT: Håll stadigt i maskinen och batterikassetten när du monterar eller tar bort batterikassetten. I annat fall kan det leda till att de glider ur dina händer och orsakar skada på maskinen och batterikassetten samt personskada.

► Fig.1: 1. Röd indikator 2. Knapp 3. Batterikasset

Ta bort batterikassetten genom att skjuta ner knappen på kassetten framsida samtidigt som du drar ut batterikassetten.

Sätt in batterikassetten genom att rikta in tungan på batterikassetten mot spåret i höljet och skjut den på plats. Tryck in batterikassetten ordentligt tills den låser fast med ett klick. Om du kan se den röda indikatorn på knappens ovansida är den inte låst ordentligt.

⚠ FÖRSIKTIGT: Sätt alltid in batterikassetten helt tills den röda indikatorn inte längre syns.

I annat fall kan den oväntat falla ur maskinen och skada dig eller någon annan.

⚠ FÖRSIKTIGT: Montera inte batterikassetten med våld. Om kassetten inte lätt glider på plats är den felisatt.

Skyddssystem för batteri

Maskinen är utrustad med ett batteriskyddssystem. Detta system bryter automatiskt strömmen till motorn för att förlänga batteriets livslängd.

Maskinen stoppas automatiskt under pågående användning om någon av följande situationer uppstår:

Överbelastning:

Maskinen används på ett sätt som gör att den förbrukar onormalt mycket ström.

När detta sker stänger du av maskinen och upphör med arbetet som gjorde att maskinen överbelastades. Starta därefter upp maskinen igen.

Om maskinen inte startar är batteriet överhettat. Låt då batteriet svalna innan du startar maskinen igen.

Batterispänningen faller:









Den kvarvarande batterikapaciteten är för låg och maskinen fungerar inte. Om du trycker in avtryckaren går motorn igång men stannar snart igen. I detta läge tar du bort batteriet och laddar det.

Indikerar kvarvarande batterikapacitet

Endast för batterikassetter med indikator

► Fig.2: 1. Indikatorlampor 2. Kontrollknapp

Tryck på kontrollknappen på batterikassetten för att se kvarvarande batterikapacitet. Indikatorlamporna lyser i ett par sekunder.

Indikatorlampor		Återstående kapacitet
Upplyst	Av	
		75% till 100%
		50% till 75%
		25% till 50%
		0% till 25%

OBS: Beroende på användningsförhållanden och den omgivande temperaturen kan indikationen skilja sig lätt från den faktiska batterikapaciteten.

Avtryckarens funktion

⚠ VARNING: Innan du sätter in batterikassetten i maskinen ska du kontrollera att avtryckaren fungerar och återgår till läget "OFF" när du släpper den.

► Fig.3: 1. Avtryckare

Tryck in avtryckaren för att starta verktyget. Hastigheten ökas genom att trycka hårdare på avtryckaren. Släpp avtryckaren för att stoppa maskinen.

Tända frontlampan

► Fig.4: 1. Avtryckare 2. Lampa

⚠ FÖRSIKTIGT: Titta inte in i ljuset eller direkt i ljuskällan.

Tryck på avtryckaren för att tända lampan. Lampan fortsätter att lysa så länge du håller avtryckaren intryckt. Lampan slocknar ungefär 10 sekunder efter att du har släppt avtryckaren.

OBS: Använd en torr trasa för att torka bort smuts från lampglaset. Var försiktig så att inte lampglaset repas eftersom ljuset då kan bli svagare.

Reverseringsspakens funktion

► **Fig.5:** 1. Reverseringsspak

⚠ FÖRSIKTIGT: Kontrollera alltid rotationsriktningen före användning.

⚠ FÖRSIKTIGT: Använd endast reverseringsknappen när maskinen har stoppat helt. Maskinen kan skadas om du byter rotationsriktning medan den fortfarande roterar.

⚠ FÖRSIKTIGT: Ställ alltid in reverseringsspaken i neutralt läge när du inte använder maskinen.


Denna maskin har en reverseringsknapp för byte av rotationsriktning. Tryck in reverseringsspaken från sida A för medurs rotation och från sida B för moturs rotation. När reverseringsspaken är i neutralt läge fungerar inte avtryckaren.

Välja arbetsläge

OBSERVERA: Använd inte arbetslägesreglaget när verktyget används. Verktyget kan skadas.

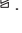
OBSERVERA: För att undvika snabbt slitage på mekanismen för ändring av läge ska du se till att reglaget för byte av arbetsläge alltid är i position för ett av arbetslägena.

Slagborrning

Vrid reglaget för byte av arbetsläge till symbolen  för borring i betong, murbruk mm. Använd ett borr med karbidspets.

► **Fig.6:** 1. Spak för byte av arbetsläge

Endast borring

Vid borring i trä, metall eller plastmaterial, vrid reglaget för byte av arbetsläge till symbolen . Använd borr för metall eller trä.

► **Fig.7:** 1. Spak för byte av arbetsläge

MONTERING

⚠ FÖRSIKTIGT: Se alltid till att maskinen är avstängd och batterikassetten borttagen innan du underhåller maskinen.

Sidohandtag (extrahandtag)

⚠ FÖRSIKTIGT: Använd alltid sidohandtaget för att garantera säker drift.

⚠ FÖRSIKTIGT: Efter installation eller justering av sidohandtaget måste du se till att sidohandtaget sitter ordentligt fast.

Sätt i sidohandtaget så att spåren i handtaget passar in i spåren på den cylindriska delen. Vrid handtaget medurs för att låsa fast det. Handtaget kan fästas i önskad vinkel.

► **Fig.8:** 1. Sidohandtag

Fett

Täck på förhand borrhäftet med en liten mängd fett (ca 0,5 - 1 g).

Smörjning av chucken ger smidig funktion och längre livslängd.

Sätta i och ta ur borrar

Rengör borrhäftet och applicera fett innan det monteras.

► **Fig.9:** 1. Skaftände 2. Fett

Sätt in borret i maskinen. Vrid borret och tryck in tills det låser fast.

Se efter montering av borret till att det sitter ordentligt fast genom att försöka dra ut det.

► **Fig.10:** 1. Borr

Ta ut borret genom att trycka ner chuckskyddet hela vägen och dra ut det.

► **Fig.11:** 1. Borr 2. Chuckhölje

Djupmått

Djupmättet är praktiskt för att borra hål med samma djup. Lossa sidhandtaget och sätt in djupmätaren i hålet i sidohandtaget. Justera djupmätaren till önskat djup och dra fast sidhandtaget ordentligt.

► **Fig.12:** 1. Hål 2. Djupmått

OBS: Se till att djupmätaren inte vidrör maskinkroppen när du monterar den.

Dammuppsamlare (valfritt tillbehör)

Använd dammuppsamlaren för att förhindra att damm faller över maskinen och dig själv när du borrar över huvudet. Sätt fast dammuppsamlaren enligt figuren. Följande borrarstorlekar kan användas med dammuppsamlaren.

Modell	Borrdiameter
Dammuppsamlare 5	6 mm - 14,5 mm
Dammuppsamlare 9	12 mm - 16 mm

► **Fig.13:** 1. Dammuppsamlare

Dammuppsamlarsats

Extra tillbehör

OBSERVERA: Om du köper dammuppsamlarsatsen som tillbehör kan inte standard sidohandtag användas när dammuppsamlarsatsen är monterad på maskinen. När dammuppsamlarsatsen är monterad på maskinen, ta bort handtaget från standard sidohandtag och sätt därefter fast det på handtagsfästet.

► **Fig.14:** 1. Bult 2. Handtag 3. Tillval handtagsfäste

OBSERVERA: Använd inte dammuppsamlare vid borring i metall eller liknande. Det kan skada dammuppsamlaren p.g.a. den värme som alstras av små metallspån eller liknande. Montera/demontera inte dammuppsamlaren med borret monterat i chucken. Det kan skada dammuppsamlarsatsen och leda till dammläckage.

Ta bort borret från maskinen (om monterat) innan du monterar dammuppsamlarsatsen.

Montera distansklossen så att spåren i det passar in i spåren på den cylindriska delen medan du pressar ut den. Se till att inte fjädern lossnar från distansklossen.

► **Fig.15:** 1. Distanskloss 2. Fjäder

► **Fig.16**

Montera sidohandtaget (handtagsfäste och handtag avlägsnade från standard sidohandtag) så att spåren i handtaget passar in i spåren på distansklossen. Vrid handtaget medurs för att låsa fast det.

► **Fig.17:** 1. Sidohandtag

Montera dammuppsamlarsatsen så att dammuppsamlarens fingrar passar in i distansklossens spår.

► **Fig.18:** 1. Dammuppsamlare 2. Fingrar

OBS: Om du ansluter en dammsugare till dammuppsamlarsatsen måste du förs ta bort dammlocket.

► **Fig.19:** 1. Dammlock

Ta ut borret genom att trycka ner chuckskyddet hela vägen och dra ut det.

► **Fig.20:** 1. Borr 2. Chuckhölje

Håll i dammuppsamlarens nedre del och dra ut den för att ta loss dammuppsamlarsatsen.

► **Fig.21:** 1. Dammuppsamlare

OBS: Om locket lossar från dammuppsamlaren monteras det tillbaka med den tryckta sidan uppåt så att spåren i locket passar med tillbehöret.

► **Fig.22**

Krok

Extra tillbehör

⚠ FÖRSIKTIGT: Ta alltid bort batteriet när du hänger upp maskinen med kroken.

⚠ FÖRSIKTIGT: Häng aldrig upp maskinen på hög höjd eller på platser som inte är helt stabila.

► **Fig.23:** 1. Spår 2. Krok 3. Skruv

Haken kan användas när du vill hänga upp verktyget temporärt. Den kan monteras på båda sidorna av maskinen. För att montera kroken sätter du i den i ett spår i maskinhuset på endera sida och drar fast den med en skruv. Ta bort kroken genom att skruva loss skruven.

ANVÄNDNING

⚠ FÖRSIKTIGT: Använd alltid sidohandtaget (extrahandtaget) och håll maskinen stadigt med både sidohandtaget och pistolhandtaget när du borrar.


⚠ FÖRSIKTIGT: Se alltid till att arbetsstycket sitter ordentligt fast innan användning.

OBS: Om batterikassetten används vid låga temperaturer kan inte maskinens fulla kapacitet uppnås. Om så är fallet, värm upp batterikassetten genom att använda maskinen en stund utan belastning för att erhålla maskinens fulla kapacitet.

► **Fig.24**

Slagborrning

⚠ FÖRSIKTIGT: Maskinen/borrbitsen utsätts för en plötslig och oerhört stor vridande kraft vid hålgenomslaget, när hålet fylls av spån och partiklar eller när du slår ner förstärkningar i cement. **Använd alltid sidohandtaget (extrahandtaget) och håll maskinen stadigt med både sidohandtaget och pistolhandtaget när du borrar.** I annat fall är det lätt hänt att du förlorar kontrollen över maskinen, och allvarliga personskador kan då uppstå.

Ställ reglaget för byte av arbetsläge till symbolen . Placera borret där hålet ska vara och tryck sedan in avtryckaren. Tryck inte hårt med maskinen. Lätt tryck ger bäst resultat. Håll maskinen i läge och hindra den från att glida iväg från hålet.

Tryck inte hårdare när hålet fylls med spån eller partiklar. Kör istället maskinen på tomgång, och ta sedan delvis ut borret ur hålet. Genom att upprepa detta flera gånger rensas hålet och normal borrning kan återupptas.

OBS: Ojämn rotation av borret kan förekomma om maskinen körs utan belastning. Maskinen centrerar sig automatiskt under arbetet. Detta påverkar inte borrningens noggrannhet.

Borrning i trä eller metall

⚠ FÖRSIKTIGT: Håll ett stadigt tag i maskinen och var försiktig när borret börjar tränga igenom arbetsstycket. Det utvecklas en enorm kraft på maskinen/borret vid hålgenomslaget.


⚠ FÖRSIKTIGT: Ett borr som fastnat kan enkelt backas ur genom att reversera borrningens rotationsriktning. Maskinen kan dock plötsligt backa ut om du inte håller i den ordentligt.

⚠ FÖRSIKTIGT: Fäst alltid arbetsstycken i ett stöd eller liknande fasthållningsanordningar.

OBSERVERA: Använd aldrig "slagborrning" när den vanliga borrchucken är monterad på maskinen. Borrchucken kan skadas.

Den kommer också att lossna om maskinen körs i reverseringsläge.

OBSERVERA: Borrningen går inte fortare för att du trycker hårdare på maskinen. Detta extra tryck skadar bara toppen på ditt borr, sänker maskinens prestanda och förkortar maskinens livslängd.

Ställ reglaget för byte av arbetsläge till symbolen . Fäst chuckadaptern till en nyckellörs borrchuck i vilken en skruv med storlek 1/2"-20 kan monteras och montera dem därefter i maskinen. Se avsnittet "Sätta i och ta ur borr" vid montering.

► **Fig.25:** 1. Borrchucksats 2. Chuckadaptern

Gummituta

Extra tillbehör

Efter att hålet borrats klart används gummituta för att blåsa rent hålet.

► **Fig.26**

UNDERHÅLL

⚠ FÖRSIKTIGT: Se alltid till att maskinen är avstängd och batterikassetten borttagen innan inspektion eller underhåll utförs.

OBSERVERA: Använd inte bensin, förtunningsmedel, alkohol eller liknande. Missfärgning, deformation eller sprickor kan uppstå.

För att upprätthålla produktens SÄKERHET och TILLFÖRLITLIGHET bör allt underhålls- och justeringsarbete utföras av ett auktoriserat Makita servicecenter och med reservdelar från Makita.

VALFRIA TILLBEHÖR

⚠ FÖRSIKTIGT: Följande tillbehör eller tillsatser rekommenderas för användning med den Makita-maskin som denna bruksanvisning avser. Om andra tillbehör eller tillsatser används kan det uppstå risk för personskador. Använd endast tillbehören eller tillsatserna för de syften de är avsedda för.

Kontakta ditt lokala Makita servicecenter om du behöver ytterligare information om dessa tillbehör.

- Borr med karbidspets (SDS-Plus-borr med karbidspets)
- Chuckadapter
- Nyckellös borrchuck
- Smörjfett för borr
- Djupmått
- Gummituta
- Dammuppsamlare
- Dammuppsamlarsats
- Handtagsfästessats
- Skyddsglasögon
- Krok
- Makitas originalbatteri och -laddare
- Förvaringsväska av plast

OBS: Några av tillbehören i listan kan vara inkluderade i maskinpaketet som standardtillbehör. De kan variera mellan olika länder.

TEKNISKE DATA

Modell:		HR140D
Borekapasitet	Betong	14 mm
	Stål	10 mm
	Tre	13 mm
Hastighet uten belastning		0 - 850 min ⁻¹
Slag per minutt		0 - 4 900 min ⁻¹
Total lengde		246 mm
Nominell spenning		DC 10,8 V - 12 V maks
Standard batteriinnsetts		BL1015 / BL1016 / BL1020B / BL1021B / BL1040B / BL1041B
Nettovekt		1,9–2,6 kg

- På grunn av vårt kontinuerlige forsknings- og utviklingsprogram kan spesifikasjonene som oppgis i dette dokumentet endres uten varsel.
- Spesifikasjoner og batteriinnsetts kan variere fra land til land.
- Vekten kan variere avhengig av tilbehør/tilbehørene, inkludert batteriet. Den letteste og tyngste kombinasjonen, i henhold til EPTA-prosedyre 01/2014, vises i tabellen.

Riktig bruk

Verktøyet er beregnet på hammerboring og boring i mur, betong og stein. Det er også egnet for boring uten slag i tre, metall, keramikk og plast.

Støy

Typisk A-vektet lydtryknivå er bestemt i henhold til EN60745:

Lydtryknivå (L_{pA}): 84 dB (A)

Lydeffektnivå (L_{WA}): 95 dB (A)

Usikkerhet (K): 3 dB (A)

⚠ ADVARSEL: Bruk hørselsvern.

Vibrasjoner

Den totale vibrasjonsverdien (triaksial vektorsum) bestemt i henhold EN60745:

Arbeidsmodus: Hammerboring inn i betong

Genererte vibrasjoner ($a_{h,HD}$): 6,5 m/s²

Usikkerhet (K): 1,5 m/s²

Arbeidsmodus: Bore inn i metall

Genererte vibrasjoner ($a_{h,D}$): 3,0 m/s² eller mindre

Usikkerhet (K): 1,5 m/s²

MERK: Den angitte verdien for de genererte vibrasjonene er målt i samsvar med standardtestmetoden og kan brukes til å sammenlikne et verktøy med et annet.

MERK: Den angitte verdien for de genererte vibrasjonene kan også brukes til en foreløpig vurdering av eksponeringen.

⚠ ADVARSEL: De genererte vibrasjonene ved faktisk bruk av elektroverktøyet kan avvike fra den angitte vibrasjonsverdien, avhengig av hvordan verktøyet brukes.

⚠ ADVARSEL: Sørg for å identifisere vernetiltak for å beskytte operatøren, som er basert på et estimat av eksponeringen under de faktiske bruksforholdene (idet det tas hensyn til alle deler av driftssyklusen, dvs. hvor lenge verktøyet er slått av, hvor lenge det går på tomgang og hvor lenge startbryteren faktisk holdes trykket).

EFs samsvarserklæring

Gjelder kun for land i Europa

EFs samsvarserklæring er lagt til som vedlegg A i denne bruksanvisningen.

SIKKERHETSADVARSEL

Generelle advarsler angående sikkerhet for elektroverktøy

⚠ ADVARSEL: Les alle sikkerhetsadvarsler, instruksjoner, illustrasjoner og spesifikasjoner som følger med dette elektroverktøyet. Hvis ikke alle instruksjonene nedenfor følges, kan det forekomme elektrisk støt, brann og/eller alvorlig skade.

Oppbevar alle advarsler og instruksjoner for senere bruk.

Uttrykket «elektrisk verktøy» i advarslene refererer både til elektriske verktøy (med ledning) tilkoblet strømmettet, og batteridrevne verktøy (uten ledning).

SIKKERHETSADVARSLER FOR BATTERIDREVT BORHAMMER

1. **Bruk hørselsvern.** Støy kan føre til nedsatt hørsel.
2. **Bruk hjelpehåndtak, hvis det (de) følger med maskinen.** Hvis maskinen kommer ut av kontroll, kan det resultere i helseskader.
3. **Hold elektroverktøyet i de isolerte gripeflatene** når kutteutstyret kan komme i kontakt med skjulte ledninger under arbeidet. Hvis kutteutstyret kommer i kontakt med "strømførende" ledninger, kan isolerte metalldele i elektroverktøyet bli "strømførende" og potensielt gi brukeren elektrisk støt.
4. **Bruk hjelm, vernebriller og/eller ansiktsmaske.** Vanlige briller og solbriller er IKKE vernebriller. Det anbefales også på det sterkeste å bruke støvmaske og kraftig polstrede hansker.
5. **Vær sikker på at boret er skikkelig festet før du starter verktøyet.**
6. **Verktøyet er laget slik at det vil vibrere under vanlig bruk.** Skruene kan lett løsne, noe som kan forårsake et verktøysammenbrudd eller en ulykke. Før bruk må du derfor kontrollere grundig at skruene ikke er løse.
7. **I kaldt vær, eller når verktøyet ikke har vært i bruk på lenge, må du varme opp verktøyet ved å la det gå en stund uten belastning.** Dette vil myke opp smøremiddelet. Hvis verktøyet ikke er skikkelig oppvarmet, vil det være vanskelig å bruke hammeren.
8. **Pass på at du har godt fotfeste.** Forviss deg om at ingen står under deg når du jobber høyt over bakken.
9. **Hold maskinen godt fast med begge hender.**
10. **Hold hendene unna bevegelige deler.**
11. **Ikke gå fra verktøyet mens det er i gang.** Verktøyet må bare brukes mens operatøren holder det i hendene.
12. **Ikke rett verktøyet mot personer i nærheten mens det er i bruk.** Boret kan fly ut og skade noen alvorlig.
13. **Ikke berør boret eller meiselen, eller deler i nærheten av boret eller meiselen, eller arbeidsstykket, umiddelbart etter at verktøyet har vært i bruk, da disse kan være ekstremt varme og kan gi brannskader.**
14. **Enkelte materialer inneholder kjemikalier som kan være giftige.** Treff tiltak for å hindre hudkontakt og innånding av støv. Følg leverandørens sikkerhetsanvisninger.
15. **Forsikre deg om at verktøyet er slått av og at batteriet og boret er tatt ut før du overlater verktøyet til en annen person.**

TA VARE PÅ DISSE INSTRUKSENE.

⚠ ADVARSEL: IKKE LA hensynet til hva som er "behagelig" eller det faktum at du kjenner produktet godt (etter mange gangers bruk) gjøre deg mindre oppmerksom på sikkerhetsreglene for bruken av det aktuelle produktet. Ved MISBRUK eller hvis ikke sikkerhetsreglene i denne bruksanvisningen følges, kan det oppstå alvorlig personskade.

Viktige sikkerhetsanvisninger for batteriinnsetts

1. **Før du begynner å bruke batteriet, må du lese alle anvisninger og forsiktighetsregler på (1) batteriladeren, (2) batteriet og (3) det produktet batteriet skal brukes i.**
2. **Ikke ta fra hverandre batteriet.**
3. **Hvis driftstiden er blitt vesentlig kortere, må du omgående slutte å bruke maskinen.** Hvis ikke kan resultatet bli overoppheting, mulige forbrenninger eller til og med en eksplosjon.
4. **Hvis du får elektrolytt i øynene, må du skylle dem med store mengder rennende vann og oppsøke lege med én gang.** Denne typen uhell kan føre til varig blindhet.
5. **Ikke kortslett batteriet:**
 - (1) De kan være ekstremt varme og du kan brenne deg.
 - (2) Ikke lagre batteriet i samme beholder som andre metallgjenstander, som for eksempel spiker, mynter osv.
 - (3) Ikke la batteriet komme i kontakt med vann eller regn.En kortslutning av batteriet kan føre til et kraftig strømstøt, overoppheting, mulige forbrenninger og til og med til at batteriet går i stykker.
6. **Ikke lagre maskinen og batteriet på steder hvor temperaturen kan komme opp i eller overskride 50 °C.**
7. **Ikke sett fyr på batteriet, ikke engang om det er sterkt skadet eller helt utslitt.** Batteriet kan eksplodere hvis det begynner å brenne.
8. **Vær forsiktig så du ikke mister batteriet eller utsetter det for slag.**
9. **Ikke bruk batterier som er skadet.**
10. **Lithium-ion-batteriene som medfølger er gjenstand for krav om spesialavfall.** For kommersiell transport, f.eks av tredjeparter eller speditører, må spesielle krav om pakking og merking følges. Før varen blir sendt, må du forhøre deg med en ekspert på farlig materiale. Ta også hensyn til muligheten for mer detaljerte nasjonale bestemmelser. Bruk teip eller maskeringsteip for å skjule åpne kontakter og pakk inn batteriet på en slik måte at den ikke kan bevege seg rundt i emballasjen.
11. **Følg lokale bestemmelser for avhending av batterier.**
12. **Bruk batteriene kun med produkter spesifisert av Makita.** Montere batteriene i produkter som ikke er konforme kan føre til brann, overheting eller elektrolyttlekkasje.

TA VARE PÅ DISSE INSTRUKSENE.

⚠ FORSIKTIG: Bruk kun originale Makita-batterier. Bruk av batterier som har endret seg, eller som ikke er originale Makita-batterier, kan føre til at batteriet sprekker og forårsaker brann, personskader og andre skader. Det vil også ugyldiggjøre garantien for Makita-verktøyet og -laderen.

Tips for å opprettholde maksimal batterilevetid

1. Lad batteriinnsetsen før den er helt utladet. Stopp alltid driften av verktøyet og lad batteriinnsetsen når du merker at effekten reduseres.
2. Lad aldri en batteriinnsets som er fulladet. Overopplading forkorter batteriets levetid.
3. Lad batteriet i romtemperatur ved 10 °C - 40 °C. Et varmt batteri må kjøles ned før lading.

FUNKSJONSBSKRIVELSE

⚠FORSIKTIG: Forviss deg alltid om at maskinen er slått av og batteriet tatt ut før du justerer maskinen eller kontrollerer dens mekaniske funksjoner.

Sette inn eller ta ut batteri

⚠FORSIKTIG: Slå alltid av verktøyet før du setter inn eller fjerner batteriet.

⚠FORSIKTIG: Hold verktøyet og batteripatronen i et fast grep når du monterer eller fjerner batteripatronen. Hvis du ikke holder verktøyet og batteripatronen godt fast, kan du miste grepet, og dette kan føre til skader på verktøyet og batteripatronen samt personskaader.

► Fig.1: 1. Rød indikator 2. Knapp 3. Batteriinnsets

For å ta ut batteriet må du skyve på knappen foran på batteriet og trekke det ut.

Når du skal sette inn batteriet, må du plassere tungen på batteriet på linje med sporet i huset og skyve batteriet på plass. Skyv det helt inn til det går i inngrep med et lite klikk. Hvis du kan se den røde anviseren på oversiden av knappen, er det ikke fullstendig låst.

⚠FORSIKTIG: Batteriet må alltid settes helt inn, så langt at den røde anviseren ikke lenger er synlig. Hvis dette ikke gjøres, kan batteriet komme til å falle ut av maskinen og skade deg eller andre som oppholder seg i nærheten.

⚠FORSIKTIG: Ikke bruk makt når du setter i batteriet. Hvis batteriet ikke glir lett inn, er det fordi det ikke settes inn på riktig måte.

Batteribeskyttelsessystem

Verktøyet er utstyrt med et batterivernssystem. Dette systemet slår automatisk av strømmen til motoren for å forlenge batteriets levetid.

Verktøyet stopper automatisk ved drift hvis det og/eller batteriet utsettes for en av følgende tilstander:

Overbelastning:

Verktøyet brukes på en måte som gjør at det trekker uvanlig mye strøm.

I dette tilfellet må du slå av verktøyet og avslutte bruken som forårsaket at verktøyet ble overbelastet. Slå deretter verktøyet på for å starte det igjen.

Hvis verktøyet ikke starter, er batteriet overbelastet. I så fall må du la batteriet kjøle seg ned før du slår verktøyet på igjen.

Lav batterispenning:









Gjenværende batterikapasitet er for lav og verktøyet vil ikke fungere. Når du starter verktøyet, starter motoren, men den stopper like etterpå. I dette tilfellet, fjern og lad batteriet opp igjen.

Indikere gjenværende batterikapasitet

Kun for batterier med indikatoren

► Fig.2: 1. Indikatorlamper 2. Kontrollknapp

Trykk på sjekk-knappen på batteriet for vise gjenværende batterikapasitet. Indikatorlampene lyser i et par sekunder.

Indikatorlamper		Gjenværende batterinivå
Tent	Av	
		75% til 100%
		50% til 75%
		25% til 50%
		0% til 25%

MERK: Det angitte nivået kan avvike noe fra den faktiske kapasiteten alt etter bruksforholdene og den omgivende temperaturen.

Bryterfunksjon

⚠ADVARSEL: Før du setter batteriet inn i maskinen, må du alltid kontrollere at startbryteren aktiverer maskinen på riktig måte og går tilbake til «AV»-stilling når den slippes.

► Fig.3: 1. Startbryter

Trykk på startbryteren for å starte verktøyet. Verktøyet hastighet øker når du trykker hardere på startbryteren. Slipp bryteren for å stanse verktøyet.

Tenne frontlampen

► Fig.4: 1. Startbryter 2. Lampe

⚠FORSIKTIG: Ikke se inn i lyset eller se direkte på lyskilden.

Trykk inn startbryteren for å tenne lampen. Lampen fortsetter å lyse så lenge startbryteren holdes inne. Lampen slukkes omtrent 10 sekunder etter at startbryteren er sluppet.

MERK: Bruk en tørr klut til å tørke støv osv. av lampelinsen. Vær forsiktig så det ikke blir riper i lampelinsen, da dette kan redusere lysstyrken.

Reverseringsfunksjon

► **Fig.5:** 1. Reverseringsspak

⚠FORSIKTIG: Før arbeidet begynner, må du alltid kontrollere rotasjonsretningen.

⚠FORSIKTIG: Bruk reversbryteren bare etter at verktøyet har stoppet helt. Hvis du endrer rotasjonsretningen for verktøyet har stoppet, kan det bli ødelagt.

⚠FORSIKTIG: Når du ikke skal bruke maskinen lenger, må du alltid sette reversbryteren i nøytral stilling.

Dette verktøyet har en reversbryter som brukes til å endre rotasjonsretningen. Trykk inn reversbryteren fra «A»-siden for å velge rotasjon med klokken, eller fra «B»-siden for å velge rotasjon mot klokken.


Når reversbryteren er i nøytral stilling, kan ikke startbryteren trykkes inn.

Velge en funksjon

OBS: Ikke dreii på funksjonsvelgeren mens verktøyet sviver. Verktøyet blir ødelagt.


OBS: Sørg for at du alltid bekrefter at funksjonsvelgeren står i en av funksjonsposisjonene for å unngå at modusendringmekanismen slites raskt ut.

Rotasjon med hammerboring

Når du skal bore i betong, mur, osv., må du dreie funksjonsvelgeren til den peker på -symbolet. Bruk et bor med karbidspiss.

► **Fig.6:** 1. Funksjonsvelger

Bare rotasjon

Når du skal bore i tre, metall eller plastmaterialer, må du dreie funksjonsvelgeren til den peker på -symbolet. Bruk et spiralbor eller trebor.

► **Fig.7:** 1. Funksjonsvelger

MONTERING

⚠FORSIKTIG: Forviss deg alltid om at maskinen er slått av og batteriet tatt ut før du utfører noe arbeid på maskinen.

Støtتهåndtak (hjelpهåndtak)

⚠FORSIKTIG: Bruk alltid støtتهåndtaket for å bruke verktøyet på en sikker måte.

⚠FORSIKTIG: Når du har montert eller justert støtتهåndtaket, må du passe på at støtتهåndtaket sitter godt fast.

Monter støtتهåndtaket slik at sporene på håndtaket passer inn i fremspringene på verktøysylindere. Drei håndtaket med klokken for å feste det. Håndtaket kan festes i ønsket vinkel.

► **Fig.8:** 1. Støtتهåndtak

Smørefett

Smør den innerste delen av endeskaffet på boret med litt fett (ca. 0,5 - 1 g).

Denne kjokksmøringen sikrer jevn rotasjon og lengre levetid.

Montere eller fjerne boret

Rengjør den innerste delen av endeskaffet på boret, og påfør fett før du monterer boret.

► **Fig.9:** 1. Endeskaff 2. Smørefett

Sett inn boret i verktøyet. Vri og skyv på boret inntil det sitter.

Etter montering av boret må du alltid forsikre deg om at boret sitter som det skal ved å prøve å dra det ut.

► **Fig.10:** 1. Bor

Ta ut boret ved å trekke kjokksdekslet helt ned og dra ut boret.

► **Fig.11:** 1. Bor 2. Kjokksdeksel

Dybdemåler

Dybdemåleren er praktisk for boring av flere hull med samme dybde. Løsne støtتهåndtaket, og sett dybdemåleren inn i hullet i støtتهåndtaket. Juster dybdemåleren til ønsket dybde, og trekk støtتهåndtaket godt til.

► **Fig.12:** 1. Hull 2. Dybdemåler

MERK: Pass på at dybdemåleren ikke berører verktøyet hoveddel når du fester den.

Støvkopp (valgфritt tilbehør)

Bruk støvkoppen for å unngå støv på verktøyet og deg selv når du borer med verktøyet over hodet. Fest støvkoppen til boret som vist i figuren. Støvkoppen kan festes til følgende borstørrelser:

Modell	Bordiameter
Støvkopp 5	6 mm - 14,5 mm
Støvkopp 9	12 mm - 16 mm

► **Fig.13:** 1. Støvkopp

Støvkoppsett

Valgfritt tilbehør

OBS: Hvis du kjøper støvkoppsettet som valgfritt ekstrautstyr, er det ikke mulig å bruke standardstøtتهåndtaket mens støvkoppsettet er montert på verktøyet. Når støvkoppsettet er montert på verktøyet, fjerner du håndtaket fra standardstøtتهåndtaket, og deretter fester du det til det valgfrie håndtakfestesettet.

► **Fig.14:** 1. Skru 2. Håndtak 3. Valgfritt håndtakfestesett

OBS: Ikke bruk verktøyet med støvkoppsettet når du borer i metall eller lignende. Det kan skade støvkoppsettet på grunn av varmen som metallstøvet eller lignende avgir. Ikke monter eller fjern støvkoppsettet mens boret står i verktøyet. Det kan skade støvkoppsettet og føre til støvlekkasje.

Før du monterer støvbeholdersettet må du fjerne boret fra verktøyet hvis det står i.

Monter avstandsskiven slik at sporene på støvbeholderen passer inn i fremspringene på verktøysylindren når du utvider den. Pass på at fjæren ikke løsner fra avstandsskivens slisse.

► **Fig.15:** 1. Avstandsskive 2. Fjær

► **Fig.16**

Monter støttehåndtaket (valgfritt håndtakfestesett og håndtaket fjernet fra standardhåndtaket) slik at sporet på håndtaket passer inn i fremspringet på avstandsskiven. Drei håndtaket med klokken for å feste det.

► **Fig.17:** 1. Støttehåndtak

Monter støvkoppsettet slik at krokene på støvkoppen passer inn i slissene på avstandsskiven.

► **Fig.18:** 1. Støvkopp 2. Kroker

MERK: Hvis du kobler en støvsuger til støvkoppsettet, må du ta av støvdekselet før du kobler den til.

► **Fig.19:** 1. Støvdekselet

Ta ut boret ved å trekke kjoksdekselet helt ned og dra ut boret.

► **Fig.20:** 1. Bor 2. Kjoksdekselet

Hold nederst på støvkoppen og dra den ut for å fjerne støvkoppsettet.

► **Fig.21:** 1. Støvkopp

MERK: Hvis dekelelet løsner fra støvkoppen, fester du det med den trykte siden vendt oppover slik at sporet på dekelelet passer med innsiden av tilbehøret.

► **Fig.22**

Krok

Valgfritt tilbehør

⚠FORSIKTIG: Ta alltid ut batteriet når verktøyet henges opp på kroken.

⚠FORSIKTIG: Maskinen må aldri henges på kroken høyt over bakken eller på en potensielt ustabil overflate.

► **Fig.23:** 1. Spor 2. Krok 3. Skruer

Kroken er praktisk å henge verktøyet i over kortere tid. Den kan monteres på begge sider av verktøyet.

For å montere kroken, må du sette den inn i sporet på en av sidene av verktøyhuset og feste den med en skruer. Ta den av igjen ved å løse skruen.

BRUK

⚠FORSIKTIG: Bruk alltid støttehåndtaket (hjelpehåndtaket), og hold maskinen støtt med både støttehåndtak og hovedhåndtak når du bruker den.

⚠FORSIKTIG: Sørg alltid for at arbeidsstykket sitter godt fast før du går i gang.

MERK: Hvis batteriet er kaldt, kan det hende at verktøyet ikke yter som det skal. Da må du varme opp batteriet ved å bruke verktøyet uten belastning en stund slik at verktøyet etter hvert yter som det skal.

► **Fig.24**

Slagborfunksjon

⚠FORSIKTIG: Verktøyet/boret utsettes for voldsomme og plutselige vridninger i det øyeblikket det bores hull, når hullet fylles opp av biter og partikler, eller når du treffer armeringsjernet i betongen. **Bruk alltid støttehåndtaket (hjelpehåndtaket), og hold maskinen støtt med både støttehåndtak og hovedhåndtak når du bruker den.** Hvis du ikke gjør det, kan du miste kontrollen og potensielt risikere alvorlige skader.

Still funksjonsvelgeren på -symbolet.

Plasser boret der du vil bore hullet, og trykk så på startbryteren. Ikke bruk makt. Lett trykk gir de beste resultatene. Hold verktøyet i riktig posisjon, og sørg for at det ikke glir bort fra hullet.

Ikke legg mer press på verktøyet når hullet fylles av biter eller partikler. La i stedet verktøyet gå på tomgang, og trekk deretter boret delvis ut av hullet. Ved å gjenta dette flere ganger, vil hullet rengjøres, og normal boring kan gjenopptas.

MERK: Hvis verktøyet brukes uten belastning, kan det forekomme kast i borrotasjonen. Under bruk sentrerer verktøyet seg automatisk. Dette påvirker ikke borenøyaktigheten.

Boring i treverk eller metall

⚠FORSIKTIG: Hold verktøyet i et fast grep, og vær forsiktig når skrutrekkerboret begynner å bryte gjennom arbeidsstykket. I gjennombruddsøyeblikket virker det en enorm kraft på verktøyet/skrutrekkerboret.

⚠FORSIKTIG: Et skrutrekkerbor som sitter fast kan fjernes hvis du setter reversbryteren til motsatt rotasjonsretning, så verktøyet kan bakke ut. Verktøyet kan imidlertid komme brått ut hvis du ikke holder det i et fast grep.

⚠FORSIKTIG: Arbeidsstykker må alltid festes med en skrustikke eller en liknende festeanordning.

OBS: "Rotasjon med hammerboring" må ikke brukes når borekjoksen er montert på verktøyet. Borekjoksen kan bli ødelagt. I tillegg løsner borekjoksen når verktøyet reverseres.

OBS: Hvis du bruker for mye kraft på verktøyet, vil det ikke øke borehastigheten. Overdreven bruk av kraft vil tvert imot kunne bidra til å ødelegge spissen av skrutrekkerboret, redusere verktøyeffekten og forkorte verktøyet levetid.

Sett funksjonsvelgeren på -symbolet.

Koble kjoksadapteren til en nøkkelfri borekjoks som skrues med en størrelse på 1/2"-20 kan festes til, og monter dem deretter på verktøyet. Når du monterer den, se delen "Montere eller fjerne boret".

► **Fig.25:** 1. Borekjoksmodul 2. Kjoksadapter

Utblåsningsballong

Valgfritt tilbehør

Etter at du har boret et hull, må du bruke utblåsningsballongen til å fjerne støv fra hullet.

► Fig.26

VEDLIKEHOLD

⚠FORSIKTIG: Forviss deg alltid om at maskinen er slått av og batteriet tatt ut før du foretar inspeksjon eller vedlikehold.

OBS: Aldri bruk gasolin, bensin, tynner alkohol eller lignende. Det kan føre til misfarging, deformering eller sprekkdannelse.

For å opprettholde produktets SIKKERHET og PALITELIGHET, må reparasjoner, vedlikehold og justeringer utføres av autoriserte Makita servicesentre eller fabrikk-servicesentre, og det må alltid brukes reservedeler fra Makita.

VALGFRITT TILBEHØR

⚠FORSIKTIG: Det anbefales at du bruker dette tilbehøret eller verktøyet sammen med den Makita-maskinen som er spesifisert i denne håndboken. Bruk av annet tilbehør eller verktøy kan forårsake personskader. Tilbehør og verktøy må kun brukes til det formålet det er beregnet på.

Ta kontakt med ditt lokale Makita-servicesenter hvis du trenger mer informasjon om dette tilbehøret.

- Bor med karbidspiss (SDS-Plus-bor med karbidspiss)
- Kjoksadapter
- Nøkkelfri borekjoks
- Borfett
- Dybdemåler
- Utblåsningsballong
- Støvkopp
- Støvkoppsett
- Håndtaksfestesett
- Vernebriller
- Krok
- Makita originalbatteri og lader
- Verktøykoffert av plast

MERK: Enkelte elementer i listen kan være inkludert som standardtilbehør i verktøypakken. Elementene kan variere fra land til land.

TEKNISET TIEDOT

Malli:		HR140D
Poraukka-asiteetti	Betoni	14 mm
	Teräs	10 mm
	Puu	13 mm
Kuormittamaton kierrosnopeus		0 - 850 min ⁻¹
Lyöntiä minuutissa		0 - 4 900 min ⁻¹
Kokonaispituus		246 mm
Nimellisjännite		DC 10,8 V - 12 V maks.
Vakio akkupaketti		BL1015 / BL1016 / BL1020B / BL1021B / BL1040B / BL1041B
Nettopaino		1,9 - 2,6 kg

- Jatkuvaasta tutkimus- ja kehitystyöstämme johtuen esitetyt tekniset tiedot saattavat muuttua ilman erillistä ilmoitusta.
- Tekniset tiedot ja akkupaketti voivat vaihdella maittain.
- Paino voi olla erilainen lisävarusteista sekä akusta johtuen. EPTA-menetellytavan 01/2014 mukaisesti, taulukossa on kuvattu kevyin ja painavin laiteyhdistelmä.

Käyttötarkoitus

Työkalu on tarkoitettu tiilien, betonin ja kiven iskuporaamiseen.

Se soveltuu myös puun, metallin, keramiikan ja muovin tavanomaiseen poraukseen.

Melutaso

Tyypillinen A-painotettu melutaso määräytyy standardin EN60745 mukaan:

Äänenpainetaso (L_{pA}): 84 dB (A)

Äänen voiman taso (L_{WA}): 95 dB (A)

Virhemarginaali (K): 3 dB (A)

VAROITUS: Käytä kuulosuojaimia.

Tärinä

Kokonaistärinä (kolmen akselin vektorien summa) määräytyy standardin EN60745 mukaan:

Työtila: betonin iskuporaaminen

Tärinäpäästö (a_{h,D}): 6,5 m/s²

Virhemarginaali (K): 1,5 m/s²

Työtila: metalliin poraus

Tärinäpäästö (a_{h,D}): 3,0 m/s² tai vähemmän

Virhemarginaali (K): 1,5 m/s²

HUOMAA: Ilmoitettu tärinäpäästöarvo on mitattu standarditestausmenetelmän mukaisesti, ja sen avulla voidaan vertailla työkaluja keskenään.

HUOMAA: Ilmoitettua tärinäpäästöarvoa voidaan käyttää myös altistumisen alustavaan arviointiin.

VAROITUS: Työkalun käytön aikana mitattu todellinen tärinäpäästöarvo voi poiketa ilmoitetusta tärinäpäästöarvosta työkalun käyttötavan mukaan.

VAROITUS: Selvitä käyttäjän suojaamiseksi tarvittavat varotoimet todellisissa käyttöolosuhteissa tapahtuvan arvioidun altistumisen mukaisesti (ottaen huomioon käyttöjakso kokonaisuudessaan, myös jaksot, joiden aikana työkalu on sammutettuna tai käy tyhjäkäynnillä).

EY-vaatimustenmukaisuusvakuutus

Koskee vain Euroopan maita

EY-vaatimustenmukaisuusvakuutus on liitetty tähän käyttöoppaaseen.

TURVAVAROITUKSET

Sähkötyökalujen käyttöä koskevat yleiset varoitukset

VAROITUS: Tutustu kaikkiin tämän sähkötyökalun mukana toimitettuihin varoituksiin, ohjeisiin, kuviin ja teknisiin tietoihin. Seuraavassa lueteltujen ohjeiden noudattamatta jättäminen saattaa johtaa sähköiskuun, tulipaloon tai vakavaan vammautumiseen.

Säilytä varoitukset ja ohjeet tulevaa käyttöä varten.

Varoituksissa käytettävällä termillä "sähkötyökalu" tarkoitetaan joko verkkovirtaa käyttävää (johdollista) työkalua tai akkukäyttöistä (johdotonta) työkalua.

AKKUKÄYTTÖISEN PORAVASARAN KÄYTTÖÄ KOSKEVAT VAROITUKSET

1. Käytä kuulosuojaimia. Melulle altistuminen saattaa aiheuttaa kuulokyvyn heikentymistä.
2. Käytä työkalun mukana mahdollisesti toimitettua lisäkahvaa tai-kahvoja. Hallinnan menetys voi aiheuttaa henkilövahinkoja.
3. Kun suoritat toimenpidettä, jossa leikkaustyökalu voi joutua kosketukseen piilossa olevien johtojen kanssa, pidä kiinni työkalusta sen eristetyn tarttumispinnan kohdalta. Jos leikkaustyökalu joutuu kosketukseen jännitteisen johdon kanssa, jännite voi siirtyä työkalun sähköä johtaviin metalliosiin ja aiheuttaa käyttäjälle sähköiskun.
4. Käytä kovaa päähinettä (suojakypärää), suojalaseja ja/tai kasvosuojusta. Tavalliset silmä- tai aurinkolasit EIVÄT ole suojalaseja. Myös hengityssuojaimen ja paksujen käsineiden käyttö on suositeltavaa.
5. Varmista ennen työskentelyn aloittamista, että terä on kiinnitetty tiukasti paikoilleen.
6. Laitte on suunniteltu siten, että se tärisee normaalkäytössä. Ruuvit voivat irrota hyvin helposti aiheuttaen laitteen rikkoutumisen tai onnettomuuden. Tarkasta ruuvien kireys huolellisesti ennen käyttöä.
7. Jos ilma on kylmä tai konetta ei ole käytetty pitkään aikaan, anna sen lämmetä jonkin aikaa tyhjääkäynnillä. Tämä tehostaa laitteen voitelua. Vasarointi voi olla hankalaa ilman asianmukaista esilämmitystä.
8. Seiso aina tukevassa asennossa. Varmista korkealla työskennellessäsi, että ketään ei ole alapuolella.
9. Pidä työkalusta lujasti molemmin käsin.
10. Pidä kädet pois liikkuvien osien luota.
11. Älä jätä työkalua käymään itseksensä. Käytä laitetta vain silloin, kun pidät sitä kädessä.
12. Älä osoita laitteella ketään, kun käytät sitä. Terä saattaa lennähtää irti ja aiheuttaa vakavan loukkaantumisen.
13. Älä kosketa terää, sen lähellä olevia osia tai työkalua välittömästi käytön jälkeen, sillä ne voivat olla erittäin kuumia ja aiheuttaa palovammoja.
14. Jotkin materiaalit sisältävät kemikaaleja, jotka voivat olla myrkyllisiä. Huolehdi siitä, että pölyn sisäänhengittäminen ja ihokosketus estetään. Noudata materiaalin toimittajan turvaohjeita.
15. Varmista aina ennen laitteen luovuttamista toiselle henkilölle, että laite on sammutettu ja että akkupaketti ja poranterä on irrotettu.

SÄILYTÄ NÄMÄ OHJEET.

VAROITUS: ÄLÄ anna työkalun helpokäyttöisyyden (toistuvan käytön aikaansaama) johtaa sinua väärään turvallisuuden tunteeseen niin, että laiminlyöt työkalun turvaohjeiden noudattamisen. VÄÄRINKÄYTTÖ tai tässä käyttöohjeissa ilmoitettujen turvamääräysten laiminlyönti voi aiheuttaa vakavia henkilövahinkoja.

Akkupakettia koskevia tärkeitä turvaohjeita

1. Ennen akun käyttöönottoa tutustu kaikkiin laturissa (1), akussa (2) ja akkukäyttöisessä tuotteessa (3) oleviin varoitusteksteihin.
2. Älä pura akkua.
3. Jos akun toiminta-aika lyhenee merkittävästi, lopeta akun käyttö. Seurauksena voi olla ylikuumentuminen, palovammoja tai jopa räjähdys.
4. Jos akkunestettä pääsee silmiin, huuhtele puhtaalla vedellä ja hakeudu välittömästi lääkärin hoitoon. Akkuneste voi aiheuttaa näön menetyksen.
5. Älä oikosulje akkua.
 - (1) Älä koske akun napoihin millään sähköä johtavalla materiaalilla.
 - (2) Vältä akun oikosulkemista äläkä säilytä akkua yhdessä muiden metalliesineiden, kuten nauhojen, kolikoiden ja niin edelleen kanssa.
 - (3) Älä aseta akkua alttiiksi vedelle tai sateelle.Oikosulku voi aiheuttaa virtapiikin, ylikuumentumista, palovammoja tai laitteen rikkoantumisen.
6. Älä säilytä litium-ioni-akkua paikassa, jossa lämpötila voi nousta 50 °C:een tai sitäkin korkeammaksi.
7. Älä hävitä akkua polttamalla, vaikka se olisi pahoin vaurioitunut tai täysin loppuun kulunut. Avotuli voi aiheuttaa akun räjähtämisen.
8. Varo kolhimasta tai pudottamasta akkua.
9. Älä käytä viallista akkua.
10. Sisältyviä litium-ioni-akkuja koskevat vaarallisten aineiden lainsäädännön vaatimukset. Esimerkiksi kolmansien osapuolten huolintaliikkeiden tulee kaupallisissa kuljetuksissa noudattaa pakkaamista ja merkintöjä koskevia erityisvaatimuksia. Lähettävän tuotteen valmistelu edellyttää vaarallisten aineiden asiantuntijan neuvontaa. Huomioi myös mahdollisesti yksityiskohtaisemmat kansalliset määräykset. Akun avoimet liittimet tulee suojata teipillä tai suojuksella ja pakkaaminen tulee tehdä niin, ettei akku voi liukua pakkauksessa.
11. Hävitä akku paikallisten määräysten mukaisesti.
12. Käytä akkuja vain Makitan ilmoittamien tuotteiden kanssa. Akkujen asentaminen yhteensopimattomiin tuotteisiin voi aiheuttaa tulipalon, liiallisen ylikuumentumisen, räjähdyksen tai akkunestevuotoja.

SÄILYTÄ NÄMÄ OHJEET.

HUOMIO: Käytä vain alkuperäisiä Makita-akkuja. Muiden kuin aitojen Makita-akkujen, tai mahdollisesti muutettujen akkujen käyttö voi johtaa akun murtumiseen ja aiheuttaa tulipaloja, henkilö- ja omaisuusvahinkoja. Se mitätöi myös Makita-työkalun ja -laturin Makita-takuun.

Vihjeitä akun käyttöiän pidentämiseksi

1. Lataa akku ennen kuin se purkautuu täysin. Lopeta aina työkalun käyttö ja lataa akku, jos huomaat työkalun tehon vähenevän.
2. Älä koskaan lataa uudestaan täysin ladattua akkua. Yli lataaminen lyhentää akun käyttöikää.
3. Lataa akku huoneen lämpötilassa välillä 10 °C - 40 °C. Anna kuumen akun jäähtyä ennen lataamista.

TOIMINTOJEN KUVAUS

⚠️HUOMIO: Varmista aina ennen säätöjä ja tarkastuksia, että työkalu on sammutettu ja akkupaketti irrotettu.

Akun asentaminen tai irrottaminen

⚠️HUOMIO: Sammuta työkalu aina ennen akun kiinnittämistä tai irrottamista.

⚠️HUOMIO: Pidä työkalusta ja akusta tiukasti kiinni, kun irrotat tai kiinnität akkua. Jos akkupaketti tai työkalu putoaa, ne voivat vaurioitua tai aiheuttaa tapaturman.

- **Kuva1:** 1. Punainen merkkivalo 2. Painike 3. Akkupaketti

Irrota akku painamalla akun etupuolella olevaa painiketta ja vetämällä akku ulos työkalusta.

Akku liitetään sovittamalla akun kieleke rungon uraan ja työntämällä se sitten paikoilleen. Työnnä akku pohjaan asti niin, että kuulet sen napsahtavan paikoilleen. Jos painikkeen yläpuolella näkyy punainen ilmaisin, akku ei ole lukkiutunut täysin paikoilleen.

⚠️HUOMIO: Työnnä akku aina pohjaan asti, niin että punainen ilmaisin ei enää näy. Jos akku ei ole kunnolla paikallaan, se voi pudota työkalusta ja aiheuttaa vammoja joko sinulle tai sivullisille.

⚠️HUOMIO: Älä käytä voimaa akun asennuksessa. Jos akku ei liu'u paikalleen helposti, se on väärässä asennossa.

Akun suojausjärjestelmä

Työkalu on varustettu akun suojausjärjestelmällä. Tämä järjestelmä pidentää akun käyttöikää katkaisemalla moottorin virran automaattisesti.

Työkalu pysähtyy automaattisesti kesken käytön, jos työkalussa tai akussa ilmenee jokin seuraavista tilanteista:

Ylikuormitus:

Työkalua käytetään tavalla, joka saa sen kuluttamaan epätavallisen paljon virtaa.

Katkaise tässä tilanteessa työkalusta virta ja lopeta ylikuormitustilan aiheuttanut käyttö. Käynnistä sitten työkalu uudelleen kytkemällä siihen virta.

Jos työkalu ei käynnisty, akku on ylikuumentunut. Anna tässä tilanteessa akun jäähtyä, ennen kuin kytket työkalun virran uudelleen.

Alhainen akun jännite:

Akun varaus on liian alhainen eikä riitä työkalun käyttämiseen. Jos kytket työkalun päälle, moottori alkaa toimia, mutta pysähtyy pian. Irrota tässä tilanteessa akku ja lataa se.

Akun jäljellä olevan varaustason ilmaisin

Vain akkupaketeille ilmaisimella

- **Kuva2:** 1. Merkkivalot 2. Tarkistuspainike

Painamalla tarkistuspainiketta saat näkyviin akun jäljellä olevan varauksen. Merkkivalot palavat muutaman sekunnin ajan.

Merkkivalot		Akussa jäljellä olevan varaus
Palaa	Pois päältä	
		75% - 100%
		50% - 75%
		25% - 50%
		0% - 25%

HUOMAA: Ilmoitettu varaustaso voi erota hieman todellisesta varaustasosta sen mukaan, millaisissa oloissa ja missä lämpötilassa laitetta käytetään.

Kytkimen käyttäminen

⚠️VAROITUS: Tarkista aina ennen akkupaketin asettamista työkaluun, että liipaisinkytkin kytkeytyy oikein ja palaa "OFF"-asentoon, kun se vapautetaan.

- **Kuva3:** 1. Liipaisinkytkin

Käynnistä työkalu vetämällä liipaisinkytkintä. Työkalun nopeus kasvaa liipaisinkytkimeen kohdistuvaa voimaa lisättäessä. Pysäytä vapauttamalla liipaisinkytkin.

Etulampun syyttäminen

- **Kuva4:** 1. Liipaisinkytkin 2. Lamppu

⚠️HUOMIO: Älä katso suoraan lamppuun tai valonlähteeseen.

Lamppu syytty, kun painat liipaisinkytkintä. Lamppu palaa niin kauan kuin liipaisinkytkintä painetaan. Lamppu sammuu noin 10 sekunnin kuluttua liipaisinkytkimen vapauttamisesta.

HUOMAA: Pyyhi lika pois linssistä kuivalla liinalla. Varo naarmuttamasta linssiä, ettei valoteho laske.

Pyörimissuunnan vaihtokytkimen toiminta

► **Kuva5:** 1. Pyörimissuunnan vaihtokytkimen vipu

⚠HUOMIO: Tarkista aina pyörimissuunta ennen käyttöä.

⚠HUOMIO: Käytä pyörimissuunnan vaihtokytkintä vasta sen jälkeen, kun kone on lakannut kokonaan pyörimästä. Pyörimissuunnan vaihto koneen vielä pyöriessä voi vahingoittaa sitä.

⚠HUOMIO: Aina kun konetta ei käytetä, käännä pyörimissuunnan vaihtokytkin keskiasentoon.


Työkälussa on pyörimissuunnan vaihtokytkin. Jos haluat koneen pyörivän myötäpäivään, paina vaihtokytkintä A-puolelta ja jos vastapäivään, paina sitä B-puolelta. Jos pyörimissuunnan vaihtokytkin on keskiasennossa, liipaisinkytkin lukittuu.

Toiminnon valitseminen

HUOMAUTUS: Älä liikuta toimintatilan valintanappia, kun työkalu on käynnissä. Työkalu voi rikkoutua.


HUOMAUTUS: Estät toimintatilan vaihtomekanismin kulumisen, kun varmistat, että toimintatilan valintanappi on aina selvästi jossakin toimintatilan asennoista.

Poraus iskutoiminnolla

Betoniin, muuriin, jne. poraamiseksi pyöritä toimintatilan vaihtonappia  symbolia kohti. Käytä kovametalliteräistä poranterää.

► **Kuva6:** 1. Toimintatilan valintanappi

Vain poraus

Kun poraat puuta, metallia tai muovia, siirrä toimintatilan vaihtovipu  symbolia kohti. Käytä kieräterää tai puun poraukseen tarkoitettua terää.

► **Kuva7:** 1. Toimintatilan valintanappi

KOKOONPANO

⚠HUOMIO: Varmista aina ennen mitään työkalulle tehtäviä toimenpiteitä, että se on sammutettu ja akku irrotettu.

Sivukahva (apukahva)

⚠HUOMIO: Käytä aina sivukahvaa käyttöturvallisuuden varmistamiseksi.

⚠HUOMIO: Varmista, että sivukahva on paikallaan luotettavasti sen asentamisen tai säätämisen jälkeen.

Kiinnitä sivukahva siten, että kahvassa olevat urat osuvat työkalun vaipassa oleviin ulkonemiin. Kierrä kahvaa myötäpäivään sen lukitsemiseksi. Kahva voidaan kiinnittää haluttuun kulmaan.

► **Kuva8:** 1. Sivukahva

Voitele

Levitä poranterän karanpähän etukäteen pieni määrä rasvaa (noin 0,5 - 1 g).

Tämä istukan voitelu varmistaa tasaisen toiminnan ja pitkän käyttöiän.

Poranterän kiinnittäminen tai irrottaminen

Puhdista poranterän karanpää ja levitä rasvaa ennen poranterän asentamista.

► **Kuva9:** 1. Karanpää 2. Voitele

Työnnä poranterä työkaluun. Kierrä poranterää ja työnnä sitä, kunnes se kytkeytyy työkaluun. Poranterän asentamisen jälkeen varmista, että se on lukiittuna paikalleen yrittämällä vetää sitä irti työkalusta.

► **Kuva10:** 1. Poranterä

Irrota poranterä painamalla istukan suojus täysin alas ja vetämällä poranterä irti.

► **Kuva11:** 1. Poranterä 2. Istukan suojus

Syvyystulkki

Syvyysmittari on kätevä saman syvyisten reikien poraamisessa. Löysää sivukahva ja työnnä syvyystulkki sivukahvan reikään. Säädä syvyystulkin mitta haluttuun syvyyteen ja kiristä sivukahva luotettavasti.

► **Kuva12:** 1. Reikä 2. Syvyystulkki

HUOMAA: Varmista, että syvyysmittari ei kosketa työkalun runkoa sen kiinnittämisen aikana.

Pölykorkki (vaihtoehtoinen lisävaruste)

Pölykorkki estää pölyn pääsyn laitteeseen ja suojaa poraajaa, kun porataan yläpuolella olevia kohteita. Kiinnitä pölykorkki terään kuvan osoittamalla tavalla. Pölykorkki voidaan kiinnittää seuraavan kokoisin teriin.

Malli	Terän halkaisija
Pölykorkki 5	6 mm - 14,5 mm
Pölykorkki 9	12 mm - 16 mm

► **Kuva13:** 1. Pölykorkki

Pölykorkkisarja

Lisävaruste

HUOMAUTUS: Jos ostat valinnaisena lisävarusteena myytävän pölysuojussarjan, vakiosivukahvaa ei voida käyttää, koska sen paikalle työkaluun asennetaan pölysuojussarja. Jos pölysuojussarja asennetaan laitteeseen, irrota kahva vakiosivukahvasta ja tämän jälkeen kiinnitä se lisävarusteena saatavaan kahva-alustasarjaan.

► **Kuva14:** 1. Pultti 2. Kahva 3. Lisävarusteena saatava kahva-alustasarja

HUOMAUTUS: Älä käytä pölykorkkisarjaa metallia tai muuta vastaavaa materiaalia porattaessa. Tämä voi vahingoittaa pölykorkkisarjaa pienistä metallipölyistä tai vastaavista muodostuneesta lämmöstä johtuen. Älä asenna tai irrota pölykorkkisarjaa poranterän ollessa asennettuna työkaluun. Tämä voi vahingoittaa pölykorkkisarjaa ja aiheuttaa pölyuotoja.

Jos porassa on terä, irrota se ennen pölykorkin asentamista.

Kiinnitä välikappale niin, että välikappaleessa olevat urat osuvat koneen vaipassa oleviin ulkonemiin sen levittämisen aikana. Varo, ettei jousi sinkoa ulos välikappaleen urasta.

► **Kuva15:** 1. Välikappale 2. Jousi

► **Kuva16**

Asenna sivukahva (lisävarusteena saatava kahva-alustasarja ja vakiosivukahvasta irrotettu kahva) niin, että kahvassa olevat urat kohdistuvat välikappaleessa oleviin ulkonemiin. Lukitse kahva kiertämällä sitä myötäpäivään.

► **Kuva17:** 1. Sivukahva

Asenna pölykorkkisarja niin, että pölykorkin leuat osuvat välikappaleessa uriin.

► **Kuva18:** 1. Pölykorkki 2. Leuat

HUOMAA: Jos liität polynimurin pölykorkkisarjaan, irrota pölysuojus ennen liittäntää.

► **Kuva19:** 1. Polysuojus

Irrota porantera painamalla istukan suojus täysin alas ja vetämällä porantera irti.

► **Kuva20:** 1. Terä 2. Istukan suojus

Ilrota pölykorkkisarja pitämällä kiinni pölykorkin kannasta ja vetämällä se ulos.

► **Kuva21:** 1. Pölykorkki

HUOMAA: Jos suojus irtoaa pölykorkista, kiinnitä se kuviollinen puoli ylöspäin niin, että suojuksen ura osuu lisälaitteen kehän sisäpuolelle.

► **Kuva22**

Koukku

Lisävaruste

HUOMIO: Poista akku aina, kun ripustat työkalun koukusta.

HUOMIO: Älä koskaan ripusta työkalua korkeaan paikkaan tai epävakaaile alustalle.

► **Kuva23:** 1. Ura 2. Koukku 3. Ruuvi

Työkalu voidaan kätevästi ripustaa väliaikaisesti koukkuun. Tämä voidaan asentaa kummalle puolelle työkalua tahansa.

Asenna koukku työntämällä se työkalun rungon uraan jommallekummalle puolelle ja varmista kiinnitys ruuvilla. Voit irrottaa koukun löysäämällä ja irrottamalla ruuvin.

TYÖSKENTELY

HUOMIO: Käytä aina sivukahvaa (apukahvaa) ja pidä työkalusta tiukasti toinen käsi sivukahvalla ja toinen kytkinkahvalla työskentelyn aikana.


HUOMIO: Varmista aina, että työkappale on kiinnitetty luotettavasti paikalleen ennen työkalun käyttöä.

HUOMAA: Jos akkupatruunassa on alhainen lämpötila, työkalun täyttää kapasiteettia ei ehkä saavuteta. Tässä tapauksessa lämmitä akkupatruunaa käyttämällä kuormittamatonta työkalua hetken ajan työkalun täyden kapasiteetin saavuttamiseksi.

► **Kuva24**

Iskuperatoiminta

HUOMIO: Työkaluun/poranteraan kohdistuu valtava voima, kun terä menee läpi työkappaleesta, kun reikä tukkeutuu lastuista ja purusta tai kun terä osuu betoniraidoitukseen. Käytä aina sivukahvaa (apukahvaa) ja pidä työkalusta tiukasti toinen käsi sivukahvalla ja toinen kytkinkahvalla työskentelyn aikana. Jos näin ei tehdä, seurauksena voi olla työkalun hallinnan menetys ja mahdollisesti vakava vamma.

Aseta toimintatilan valintanappi  symbolia kohti. Aseta porantera haluttuun kohtaan reiän poraamista varten ja tämän jälkeen vedä laukaisinkytkimestä. Älä käytä tarpeetonta voimaa. Kevyt paine takaa parhaan lopputuloksen. Pidä työkalua paikallaan ja estä sen liukumista pois aukosta.

Jos reikä tukkeutuu lastuista ja purusta, älä käytä lisävoimaa. Anna sen sijaan työkalun käydä joutokäynnillä ja vedä terä osittain ulos reiästä. Toista tämä useampaan kertaan, jolloin reikä puhdistuu ja voit jatkaa poraamista.

HUOMAA: Terä voi pyöriä epäkeskoisesti, jos työkalua käytetään ilman kuormaa. Varsinaisen porauksen aikana työkalu keskittää itsensä automaattisesti. Tämä ei vaikuta porauksen tarkkuuteen.

Poraus puuhun tai metalliin

HUOMIO: Pidä työkalu tukevassa otteessa ja ole varovainen, kun terä alkaa porautua läpi työkappaleesta. Työkaluun/terään kohdistuu valtava voima, kun terä porautuu läpi.


HUOMIO: Juuttuneen terän voi irrottaa vaihtamalla terän pyörimissuuntaa ja peruuttaa. Pidä kuitenkin työkalusta lujasti kiinni, sillä se voi tökätä taaksepäin äkinäisesti.

HUOMIO: Kiinnitä työkappaleet aina viilapenkkiin tai vastaavaan pidikkeeseen.

HUOMAUTUS: Älä koskaan käytä poraamiseen “iskutoimintaa” teräistukan ollessa asennettuna työkaluun. Poraistukka voi vaurioitua.

Poraistukka voi myös tulla pois kun työkalun pyörimissuuntaa muutetaan.

HUOMAUTUS: Työkalun painaminen liian voimakkaasti ei nopeuta poraamista. Päinvastoin liiallinen paine vain tylsyttää poranterää, hidastaa työtä ja lyhentää työkalun käyttöikää.

Kierrä toimintatilan valintanuppia  symbolia kohti. Kiinnitä istukan sovitin kiillattomaan poraistukkaan, mihin voidaan asentaa 1/2”-20 koon ruuvi. Tämän jälkeen asenna ne työkaluun. Asennuksen aikana katso asennusohjeet luvusta ”Poranterän kiinnittäminen tai irrottaminen”.

► **Kuva25:** 1. Teräistukkalaite 2. Istukan sovitin

Puhallin

Lisävaruste

Porauksen jälkeen puhdista pöly reiästä puhaltimella.

► **Kuva26**

KUNNOSSAPITO

HUOMIO: Varmista aina ennen tarkastusta tai huoltoa, että työkalu on sammutettu ja akku irrotettu.

HUOMAUTUS: Älä koskaan käytä bensiiniä, ohenteita, alkoholia tai tms. aineita. Muutoin pinta voi halkeilla tai sen värit ja muoto voivat muuttua. Muutoin laitteeseen voi tulla värjäytymiä, muodon vääristymiä tai halkeamia.

Tuotteen TURVALLISUUDEN ja LUOTETTAVUUDEN takaamiseksi korjaukset, muut huoltotyöt ja säädöt on teetettävä Makitan valtuutetussa huoltopisteessä Makitan varaosia käyttäen.

LISÄVARUSTEET

HUOMIO: Seuraavia lisävarusteita tai laitteita suositellaan käytettäväksi tässä ohjeessa kuvatun Makita-työkalun kanssa. Muiden lisävarusteiden tai laitteiden käyttö voi aiheuttaa henkilövahinkoja. Käytä lisävarusteita ja -laitteita vain niiden käyttötarkoituksen mukaisesti.

Jos tarvitset apua tai yksityiskohtaisempia tietoja seuraavista lisävarusteista, ota yhteys paikalliseen Makitan huoltoon.

- Kovametallikärkiset poranterät (SDS-Plus kova-metallikärkiset terät)
- Istukan sovitin
- Pikaistukka
- Terärasva
- Syvyystulkki
- Puhallin
- Pölykorkki
- Pölykorkkisarja
- Kahvan alustasarja
- Suojalasit
- Koukku
- Aito Makitan akku ja laturi
- Muovinen kantolaukku

HUOMAA: Jotkin luettelossa mainitut varusteet voivat sisältyä työkalun toimitukseen vakiovarusteina. Ne voivat vaihdella maittain.

SPECIFIKĀCIJAS

Modelis:		HR140D
Urbšanas spēja	Betons	14 mm
	Tērauds	10 mm
	Koks	13 mm
Ātrums bez slodzes		0 - 850 min ⁻¹
Trieieni minūtē		0 - 4 900 min ⁻¹
Kopējais garums		246 mm
Nominālais spriegums		10,8 V - 12 V maks. līdzstrāva
Standarta akumulatora kasetne		BL1015 / BL1016 / BL1020B / BL1021B / BL1040B / BL1041B
Neto svars		1,9–2,6 kg

- Nepārtrauktās izpētes un izstrādes programmas dēļ šeit uzrādītās specifikācijas var tikt mainītas bez brīdinājuma.
- Specifikācijas un akumulatora kasetne var atšķirties dažādās valstīs.
- Svars var būt atšķirīgs atkarībā no papildierīces (-ēm), tostarp akumulatora kasetnes. Tabulā ir attēlota vieglākā un smagākā kombinācija atbilstoši EPTA procedūrai 01/2014.

Paredzētā lietošana

Šis darbarīks ir paredzēts triecienuurbšanai un urbšanai kļieģelos, betonā un akmenī.

Tas ir piemērots arī parastai urbšanai (bez trieciena) kokā, metālā, keramikā un plastmasā.

Trokšņa līmenis

Tipiskais A svērtais trokšņa līmenis noteikts saskaņā ar EN60745:

Skaņas spiediena līmeni (L_{pA}): 84 dB (A)

Skaņas jaudas līmeni (L_{WA}): 95 dB (A)

Mainīgums (K): 3 dB (A)

BRĪDINĀJUMS: Lietojiet ausu aizsargus.

Vibrācija

Vibrācijas kopējā vērtība (trīsasu vektora summa) noteikta atbilstoši EN60745:

Darba režīms: triecienuurbšana betonā

Vibrācija ($a_{h,HD}$): 6,5 m/s²

Mainīgums (K): 1,5 m/s²

Darba režīms: urbšana metālā

Vibrācijas izmete ($a_{h,D}$): 3,0 m/s² vai mazāk

Mainīgums (K): 1,5 m/s²

PIEZĪME: Paziņotā vibrācijas emisijas vērtība noteikta atbilstoši standarta pārbaudes metodei un to var izmantot, lai salīdzinātu vienu darbarīku ar citu.

PIEZĪME: Paziņoto vibrācijas emisijas vērtību arī var izmantot iedarbības sākotnējā novērtējumā.

BRĪDINĀJUMS: Reāli lietojot elektrisko darbarīku, vibrācijas emisija var atšķirties no paziņotās emisijas vērtības atkarībā no darbarīka izmantošanas veida.

BRĪDINĀJUMS: Lai aizsargātu lietotāju, nosakiet drošības pasākumus, kas pamatoti ar iedarbību reālos darba apstākļos (ņemot vērā visus ekspluatācijas cikla posmus, piemēram, laiku, kamēr darbarīks ir izslēgts un kad darbojas tukšgaitā, kā arī palaides laiku).

EK atbilstības deklarācija

Tikai Eiropas valstīm

EK atbilstības deklarācija šajā lietošanas rokasgrāmatā ir iekļauta kā A pielikums.

DROŠĪBAS BRĪDINĀJUMI

Vispārīgi elektrisko darbarīku drošības brīdinājumi

BRĪDINĀJUMS: Izlasiet visus drošības brīdinājumus, instrukcijas, apskatiet ilustrācijas un tehniskos datus, kas iekļauti mehanizētā darbarīka komplektācijā. Ja netiek ievēroti visi tālāk minētie noteikumi, var tikt izraisīta elektrotrauma, notikt aizdegšanās un/vai rasties smagas traumas.

Glabājiet visus brīdinājumus un norādījumus, lai varētu tajos ieskatīties turpmāk.

Termins „elektrisks darbarīks” brīdinājumos attiecas uz tādu elektrisko darbarīku, ko darbina ar elektrību (ar vadu), vai tādu, ko darbina ar akumulatoru (bez vada).

DROŠĪBAS BRĪDINĀJUMI BEZVADU PERFORATORA LIETOŠANAI

1. Izmantojiet ausu aizsargus. Troksnis var izraisīt dzirdes zudumu.
2. Izmantojiet ar darbarīku piegādātos papildu rokturus. Zaudējot kontroli, var tikt gūtas traumas.
3. Strādājot turiet mehānisko darbarīku aiz izolētajām satveršanas virsmām gadījumam, ja griešanas darbarīks varētu saskarties ar neredzamu elektroinstalāciju. Ja griešanas instruments saskarsies ar vadu, kurā ir strāva, visas darbarīka ārējās metāla virsmas vadīs strāvu un radīs elektriskās strāvas trieciena risku.
4. Izmantojiet aizsargķiveri, aizsargbrilles un/ vai sejas aizsargu. Parastās brilles vai saulesbrilles NAV aizsargbrilles. Noteikti ieteicams izmantot arī putekļu masku un biezus, polsterētus cimdus.
5. Pirms sākt darbu pārbaudiet, vai uzgalis ir nostiprināts.
6. Parastās darbības laikā darbarīks rada vibrāciju. Skrūves var viegli atskrūvēties, izraisot bojājumus vai negadījumus. Pirms sākt darbu rūpīgi pārbaudiet skrūvju pievilkumu.
7. Aukstā laikā vai tad, ja darbarīku neesat izmantojuši ilgu laiku, ļaujiet darbarīkam nedaudz iesilt, darbinot to bez slodzes. Tas sasildīs ziežvielas darbarīkā. Bez pienācīgas iesildīšanas būs grūti veikt kalšanu.
8. Vienmēr nodrošiniet stabilu pamatu kājām. Ja lietojat darbarīku, strādājot lielā augstumā virs zemes, pārliecinieties, ka apakšā neviena nav.
9. Turiet darbarīku cieši ar abām rokām.
10. Netuviniet rokas kustīgajām daļām.
11. Neatstājiet darbarīku ieslēgtu. Darbiniet darbarīku vienīgi tad, ja turat to rokās.
12. Iedarbinātu darbarīku nevērsiet pret tuvumā esošiem cilvēkiem. Uzgalis var tikt izsviests un radīt smagu traumu.
13. Tūlīt pēc darbarīka lietošanas nepieskarieties uzgalim, uzgaļa vai apstrādājamā materiāla tuvumā esošām daļām, jo daļas var būt ļoti karstas un apdedzināt ādu.
14. Daži materiāli satur ķīmiskas vielas, kuras var būt toksiskas. Izvairoties no putekļu ieelpošanas un to nokļūšanas uz ādas. Ievērojiet materiāla piegādātāja drošības datus.
15. Pirms darbarīka nodošanas citai personai vienmēr pārliecinieties, vai darbarīks ir izslēgts un vai akumulatora kasetne un uzgalis ir izņemts.

SAGLABĀJIET ŠOS NORĀDĪJUMUS.

▲BRĪDINĀJUMS: NEPIEĻAUJIET to, ka labu iemaņu vai izstrādājuma labas pārzināšanas (darbarīku atkārtoti ekspluatējot) rezultātā vairs stingri neievērojat šī izstrādājuma drošības noteikumus. NEPAREIZI LIETOJOT darbarīku vai neievērojot šajā instrukcijā raksturotās minētos drošības noteikumus, var tikt gūtas smagas traumas.

Svarīgi drošības norādījumi par akumulatora kasetni

1. Pirms akumulatora lietošanas izlasiet visus norādījumus un brīdinājumus, kuri attiecas uz (1) akumulatora lādētāju, (2) akumulatoru un (3) ierīci, kurā tiek izmantots akumulators.
2. Neizjauciet akumulatoru.
3. Ja akumulatora darbības laiks kļūva ievērojami īsāks, nekavējoties pārtrauciet to izmantot. Citādi, tas var izraisīt pārkarsējumu, uzliesmojumu vai pat sprādzienu.
4. Ja elektrolīts nonāk acīs, izskalojiet tās ar tīru ūdens un nekavējoties griezieties pie ārsta. Tas var izraisīt redzes zaudēšanu.
5. Neradiet īssavienojumu akumulatora kasetnē:
 - (1) Nepieskarieties spailēm ar elektrību vadošiem materiāliem.
 - (2) Neuzglabājiet akumulatoru kasetni kopā ar citiem metāla priekšmetiem, tādiem kā naglas, monētas u. c.
 - (3) Nepakļaujiet akumulatora kasetni ūdens vai lietus iedarbībai.Akumulatora īssavienojums var radīt spēcīgu strāvas plūsmu, pārkarsāšanu, uzliesmojumu un pat sabojāt akumulatoru.
6. Neglabājiet darbarīku un akumulatora kasetni vietās, kur temperatūra var sasniegt vai pārsniegt 50 °C (122 °F).
7. Nededziniet akumulatora kasetni, pat ja tā ir stipri bojāta vai pilnībā nolietota. Akumulatora kasetne ugunī var eksplodēt.
8. Uzmanieties, lai neļautu akumulatoram nokrist un nepakļautu to sitienam.
9. Neizmantojiet bojātu akumulatoru.
10. Uz izmantotajiem litiņa jonu akumulatoriem attiecas likumdošanas prasības par bīstamiem izstrādājumiem.

Komerציālā transportēšanā, ko veic, piemēram, trešās puses, transporta uzņēmumi, jāievēro uz iesaiņojuma un marķējuma norādītās īpašās prasības.

Lai izstrādājumu sagatavotu nosūtīšanai, jāpasaziņas ar bīstamo materiālu speciālistu. Ievērojiet arī citus attiecināmos valsts normatīvus.Vaļēju kontaktus nosedziet ar līmlenti vai citādi pārklājiet, bet akumulatoru iesaiņojiet tā, lai sainītas nevarētu izkustēties.
11. Ievērojiet vietējos noteikumus par akumulatora likvidēšanu.
12. Izmantojiet šos akumulatorus tikai ar izstrādājumiem, kurus norādījis Makita. Ievietojot šos akumulatorus nesaderīgos izstrādājumos, var rasties ugunsgrēks, pārmērīgs karstums, tie var uzsprāgt vai no tiem var iztecoēt elektrolīts.

SAGLABĀJIET ŠOS NORĀDĪJUMUS.

▲UZMANĪBU: Lietojiet tikai oriģinālos Makita akumulatorus. Ja lietojat neoriģinālus Makita akumulatorus vai pārveidotus akumulatorus, tie var uzsprāgt un izraisīt aizdegšanos, traumas un materiālos zaudējumus. Tikas anulēta arī Makita darbarīka un lādētāja garantija.

Ieteikumi akumulatora kalpošanas laika pagarināšanai

1. Uzlādējiet akumulatora kasetni, pirms tā ir pilnībā izlādējusies. Vienmēr, kad ievērojat, ka darbarīka darba jauda zudusi, apturiet darbarīku un uzlādējiet akumulatora kasetni.
2. Nekad neuzlādējiet pilnībā uzlādētu akumulatora kasetni. Pārmērīga uzlāde saīsina akumulatora kalpošanas laiku.
3. Uzlādējiet akumulatora kasetni istabas temperatūrā 10 °C - 40 °C. Karstai akumulatora kasetnei pirms uzlādes ļaujiet atdzist.

FUNKCIJU APRAKSTS

⚠UZMANĪBU: Pirms darbarīka regulēšanas vai tā darbības pārbaudes vienmēr pārliecinieties, ka darbarīks ir izslēgts un akumulatora kasetne ir izņemta.

Akumulatora kasetnes uzstādīšana un izņemšana

⚠UZMANĪBU: Vienmēr pirms akumulatora kasetnes uzstādīšanas vai noņemšanas izslēdziet darbarīku.

⚠UZMANĪBU: Uzstādot vai izņemot akumulatora kasetni, darbarīku un akumulatora kasetni turiet cieši. Ja darbarīku un akumulatora kasetni netur cieši, tie var izkrist no rokām un radīt bojājumus darbarīkam un akumulatora kasetnei, kā arī izraisīt ievainojumus.

- **Att.1:** 1. Sarkanās krāsas indikators 2. Poga 3. Akumulatora kasetne

Lai izņemtu akumulatora kasetni, izvelciet to no darbarīka, pārbīdot kasetnes priekšpusē esošo pogu.

Lai uzstādītu akumulatora kasetni, salāgojiet mēlīti uz akumulatora kasetnes ar rievu ietvarā un iebīdīet to vietā. Ievietojiet to līdz galam, līdz tā ar klikšķi nofiksējas. Ja pogas augšējā daļā redzams sarkanās krāsas indikators, tas nozīmē, ka tā nav pilnīgi fiksēta.

⚠UZMANĪBU: Vienmēr ievietojiet akumulatora kasetni tā, lai sarkanais indikators nebūtu redzams. Pretējā gadījumā tā var nejauši izkrist no darbarīka un izraisīt jums vai apkārtējiem traumas.

⚠UZMANĪBU: Neievietojiet akumulatora kasetni ar spēku. Ja kasetne neslīd ietvarā viegli, tā nav pareizi ielikta.

Akumulatora aizsardzības sistēma

Darbarīks ir aprīkots ar akumulatora aizsardzības sistēmu. Šī sistēma automātiski izslēdz jaudas padevi motoram, lai pagarinātu akumulatora kalpošanas laiku. Darbarīks automātiski pārstās darboties ekspluatācijas laikā, ja darbarīku un/vai akumulatoru pakļaus kādam no tālāk minētajiem apstākļiem:

Pārslodze:

Darbarīku ekspluatācijas laikā lieto tādā veidā, ka tas saista pārmērīgu strāvu.

Šādā gadījumā izslēdziet darbarīku un pārtrauciet darbarīka pārslodzi izraisījušo darbu. Tad ieslēdziet darbarīku, lai atsāktu darbu.

Ja darbarīks neieslēdzas, akumulators ir pārkarsis. Šādā gadījumā ļaujiet akumulatoram atdzist pirms atkārtotas darbarīka ieslēgšanas.

Zema akumulatora jauda:











Akumulatora uzlādes līmenis ir pārāk zems, un darbarīks nedarbosies. Ja ieslēgsit darbarīku, motors vēlreiz sāks darboties, taču drīz apstāsies. Šādā gadījumā noņemiet akumulatoru un uzlādējiet.

Atlikušās akumulatora jaudas indikators

Tikai akumulatora kasetnēm ar indikatoru

- **Att.2:** 1. Indikatora lampas 2. Pārbaudes poga

Nospiediet akumulatora kasetnes pārbaudes pogu, lai pārbaudītu akumulatora atlikušo uzlādes līmeni. Indikatori iedegsies uz dažām sekundēm.

Indikatora lampas		Atlikusī jauda
 Iedegies	 Izslēgts	
		No 75% līdz 100%
		No 50% līdz 75%
		No 25% līdz 50%
		No 0% līdz 25%

PIEZĪME: Reālā jauda var nedaudz atšķirties no norādītās atkarībā no lietošanas apstākļiem un apkārtējās temperatūras.

Slēdža darbība

⚠BRĪDINĀJUMS: Pirms akumulatora kasetnes uzstādīšanas darbarīkā vienmēr pārbaudiet, vai slēdža mēlīte darbojas pareizi un pēc atlaišanas atgriežas stāvoklī „OFF” (izslēgts).

- **Att.3:** 1. Slēdža mēlīte

Lai ieslēgtu darbarīku, pavelciet slēdža mēlīti. Darbarīka ātrums palielinās, palielinoties spiedienam uz slēdža mēlīti. Lai darbarīku apturētu, atlaidiet slēdža mēlīti.

Priekšējās lampas ieslēgšana

► **Att.4:** 1. Slēdža mēlīte 2. Lampa

⚠UZMANĪBU: Neskatieties gaismā, neļaujiet tās avotam iespīdēt acīs.

Pavelciet slēdža mēlīti, lai ieslēgtu lampu. Kamēr slēdža mēlīte ir nospiesta, lampa ir ieslēgta. Apmēram 10 sekundes pēc slēdža mēlītes atlaišanas lampa izslēdzas.

PIEZĪME: Ar sausu lupatiņu notīriet netīrumus no lampas lēcas. Izvairieties saskrāpēt lampas lēcu, jo tādējādi tiek samazināts apgaismojums.

Griešanās virziena pārslēdzēja darbība

► **Att.5:** 1. Griešanās virziena pārslēdzēja svira

⚠UZMANĪBU: Pirms sākat strādāt, vienmēr pārbaudiet griešanās virzienu.

⚠UZMANĪBU: Izmantojiet griešanās virziena pārslēdzēju tikai pēc darbarīka pilnīgas apstāšanās. Griešanās virziena maiņa pirms darbarīka pilnīgas apstāšanās var to sabojāt.

⚠UZMANĪBU: Kamēr darbarīks netiek izmantots, vienmēr uzstādiat griešanās virziena pārslēdzēja sviru neitrālajā stāvoklī.

Šis darbarīks ir aprīkots ar pārslēdzēju, kas ļauj mainīt griešanās virzienu. Nospiediet griešanās virziena pārslēdzēja sviru no „A” puses rotācijai pulksteņrādītāju kustības virzienā vai no „B” puses rotācijai pretēji pulksteņrādītāju kustības virzienam.


Ja griešanās virziena pārslēdzēja svira atrodas neitrālajā stāvoklī, slēdža mēlīti nevar nospiest.

Darba režīma izvēle

IEVĒRĪBAI: Negrieziet darba režīma pārslēdzēju, kad darbarīks darbojas. Darbarīks tiks sabojāts.


IEVĒRĪBAI: Lai režīma maiņas mehānisms ātri nenolietotos, pārliecinieties, ka darbības režīma maiņas gredzens vienmēr precīzi atrodas vienā no darba režīma pozīcijām.

Triecienurbšana

Urbšanai betonā, mūrī u. c. pagrieziet darbības režīma maiņas gredzenu pret simbolu . Lietojiet urbja uzgali ar karbīdu.

► **Att.6:** 1. Darba režīma pārslēdzējs

Parasta urbšana

Urbšanai kokā, metālā vai plastmasā pagrieziet darba režīma pārslēdzēju pret simbolu . Izmantojiet spirālurbja uzgali vai kokurbja uzgali.

► **Att.7:** 1. Darba režīma pārslēdzējs

MONTĀŽA

⚠UZMANĪBU: Pirms darbarīka regulēšanas vai apkopes vienmēr pārliecinieties, ka darbarīks ir izslēgts un akumulatora kasetne ir izņemta.

Sānu rokturis (palīgrokturis)

⚠UZMANĪBU: Lai darbu veiktu droši, vienmēr izmantojiet sānu rokturi.

⚠UZMANĪBU: Pēc sānu roktura uzstādīšanas vai regulēšanas pārliecinieties, ka tas ir stingri nostiprināts.

Uzstādiat sānu rokturi tā, lai roktura rievas iegultos darbarīka korpusa izciļņos. Pagrieziet rokturi pulksteņrādītāju kustības virzienā, lai to fiksētu. Rokturi ir iespējams nostiprināt vēlamajā leņķī.

► **Att.8:** 1. Sānu rokturis

Elļošana

Vispirms urbja uzgala kātu pārklājiet ar nelielu daudzumu ziedes (apmēram 0,5–1 g). Šādi ieeļļojot spīļpatronu, darbība būs vienmērīga un palīdzināsies tās darbmūžs.

Urbja uzgala uzstādīšana un noņemšana

Notīriet urbja uzgala kāta galu un pirms urbja uzgala uzstādīšanas uzklājiet ziedi.

► **Att.9:** 1. Kāta gals 2. Elļošana

Ievietojiet urbja uzgali darbarīkā. Pagrieziet urbja uzgali un iespiediet to, līdz tas fiksējas.

Pēc uzstādīšanas vienmēr pārliecinieties, ka tas stingri turas, mēģinot uzgali izvilkt.

► **Att.10:** 1. Urbja uzgalis

Lai izņemtu urbja uzgali, pavelciet spīļpatronas aizsargu pilnībā uz leju un izvelciet urbja uzgali.

► **Att.11:** 1. Urbja uzgalis 2. Spīļpatronas aizsargs

Dziļummērs

Dziļummērs ir noderīgs vienāda dziļuma caurumu urbšanai. Atskrūvējiet valīgāk sānu rokturi un ievietojiet dziļummēru sānu roktura atverē. Noregulējiet dziļummēru vēlamajā dziļumā un pievelciet sānu rokturi.

► **Att.12:** 1. Atvere 2. Dziļummērs

PIEZĪME: Pārliecinieties, ka dziļummērs, to piestiprinot, nesaskaras ar galveno darbarīka korpusu.

Putekļu piltuve (papildpiederums)

Urbjot virs galvas līmeņa, izmantojiet putekļu piltuvi, lai putekļi nekristu uz darbarīka un jums. Piestipriniet putekļu piltuvi pie uzgala, kā parādīts attēlā. Tālāk norādīts uzgala izmērs, pie kuriem var piestiprināt putekļu piltuvi.

Modelis	Uzgala diametrs
Putekļu piltuve 5	6–14,5 mm
Putekļu piltuve 9	12–16 mm

► **Att.13:** 1. Putekļu piltuve

Putekļu piltuves komplekts

Papildpiederumi

IEVĒRĪBAI: Ja putekļu piltuves komplektu iegādājāties kā papildaprīkojumu, uz darbarīka vienlaikus nevarēsīt uzstādīt sānu rokturi un putekļu piltuves komplektu. Ja uz darbarīka ir uzstādīts putekļu piltuves komplekts, noņemiet sānu rokturi un pieslēgpriniēt to atsevišķi pieejamajai rokturu pamatnei.

► **Att.14:** 1. Skrūve 2. Rokturis 3. Atsevišķi iegādājams rokturu pamatnes komplekts

IEVĒRĪBAI: Neizmantojiet putekļu piltuves komplektu, urbjot metālā vai tamlīdzīgā materiālā. Tā kā metāla putekļi un tamlīdzīgi materiāli rada karstumu, putekļu piltuves komplekts var tikt bojāts. Neuzstādiēt vai nenonēmiēt putekļu piltuves komplektu, ja darbarīkā ir uzstādīts urbja uzgalis. Tādējādi var sabojāt putekļu piltuves komplektu, un var rasties putekļu noplūde.

Pirms putekļu piltuves komplekta uzstādīšanas no darbarīka noņemiet uzgali, ja tas ir pievienots.

Uzstādiēt starpliku tā, lai rievās uz starplikas iegultos darbarīka korpusa izciļņos, korpusu izvēršot. Raugieties, lai atspere neatdalītos no starplikas šķēluma.

► **Att.15:** 1. Starplika 2. Atspere

► **Att.16**

Uzstādiēt sānu rokturi (atsevišķi pieejamā rokturu pamatne un noņemtais sānu rokturis) tā, lai starplikas izcilnis iegultos roktura rievā. Pagrieziet rokturi pulksteņrādītāju kustības virzienā, lai to fiksētu.

► **Att.17:** 1. Sānu rokturis

Uzstādot putekļu piltuves komplektu, raugieties, lai putekļu piltuves skavas iegūlas starplikas šķēlumos.

► **Att.18:** 1. Putekļu piltuve 2. Skavas

PIEZĪME: Ja putekļu piltuves komplektam pievienojat putekļsūcēju, pirms pievienošanas noņemiet putekļu vāciņu.

► **Att.19:** 1. Putekļu vāciņš

Lai izņemtu urbja uzgali, pavelciet spīļpatronas aizsargu pilnībā uz leju un izvelciet urbja uzgali.

► **Att.20:** 1. Uzgalis 2. Spīļpatronas aizsargs

Lai noņemtu putekļu piltuves komplektu, satveriet putekļu piltuves pamatni un izvelciet.

► **Att.21:** 1. Putekļu piltuve

PIEZĪME: Ja vāciņš atdalās no putekļu piltuves, pieslēgpriniēt to ar marķēto pusi vērstu augšup, lai vāciņa rievā nostiprinātos stiprinājuma iekšpusē.

► **Att.22**

Āķis

Papildpiederumi

▲UZMANĪBU: Vienmēr izņemiet akumulatoru, kad darbarīku pakarināt aiz āķa.

▲UZMANĪBU: Nekad neizāķējiet darbarīku lielā augstumā vai uz iespējami nestabilas virsmas.

► **Att.23:** 1. Rieva 2. Āķis 3. Skrūve

Āķis ir noderīgs darbarīka īslaicīgai uzkarināšanai. To var uzstādīt jebkurā darbarīka pusē.

Lai uzstādītu āķi, ievietojiet to rievā jebkurā darbarīka korpusa pusē, un tad ar skrūvi pieskrūvējiet. Lai to izņemtu, atskrūvējiet skrūvi vaļņgāk un izņemiet āķi.

EKSPLUATĀCIJA

▲UZMANĪBU: Darba laikā vienmēr izmantojiet sānu rokturi (palīgrokturi) un stingri turiet darbarīku aiz abiem sānu rokturiem un slēdža roktura.


▲UZMANĪBU: Pirms darba sāksanas vienmēr pārlicinieties, ka apstrādājama materiāls ir nostiprināts.

PIEZĪME: Ja akumulatora kasetnes temperatūra ir zema, darbarīka darbība var tikt samazināta. Šādā gadījumā, lai panāktu darbarīka maksimālu veiktspēju, sasildiet akumulatora kasetni, īslaicīgi darbinot darbarīku bez slodzes.

► **Att.24**

Triecienurbšana

▲UZMANĪBU: Cauruma izlaušanas brīdī, arī caurumam nosprostojoties ar skaidām un materiāla daļiņām vai trāpot betonā esošajiem armatūras stieniem, uz darbarīku un urbja uzgali iedarbojas ārkārtīgi liels un pēkšņs vērpes spēks. **Darba laikā vienmēr izmantojiet sānu rokturi (palīgrokturi) un stingri turiet darbarīku aiz abiem sānu rokturiem un slēdža roktura.** Ja šādi nerīkosities, varat zaudēt darbarīka vadību un gūt smagas traumas.

Pagrieziet darba režīma pārslēdzēju pret simbolu . Novietojiet urbja uzgali vietā, kur nepieciešams caurums, tad nospiediet slēdža mēlīti. Nelietojiet darbarīku ar spēku. Labāko rezultātu iespējams panākt ar vieglu spiedienu. Saglabājiet darbarīku šādā stāvoklī un nepieļaujiet tā novirzīšanos no cauruma.

Ja caurums nosprostojas ar skaidām vai materiāla daļiņām, nespiediet darbarīku spēcīgāk. Tā vietā darbiniet darbarīku tukšgaitā, tad daļēji izvelciet urbja uzgali no cauruma. Veicot šo darbību atkārtoti, caurums tiks iztīrīts, un varēsiet atsākt parasto urbšanu.

PIEZĪME: Darbinot darbarīku bez slodzes, urbja uzgala griešanās var nebūt centrēta. Darba laikā darbarīks iecentrējas automātiski. Tas neietekmē urbšanas precizitāti.

Urbšana kokā vai metālā


⚠UZMANĪBU: Stingri turiet darbarīku un īpaši uzmanieties brīdī, kad urbja uzgali sāk virzīties cauri apstrādājamaī daļai. Cauruma izveides brīdī uz darbarīku un uzgali iedarbojas ļoti liels spēks.

⚠UZMANĪBU: Iestrēgušu urbja uzgali var atbrīvot, vienkārši uzstādot griešanās virziena pārslēdzēju pretējā virzienā, lai urbis tiktu virzīts atpakaļ virzienā uz āru. Taču uzmanieties, jo, ja ierīci neturēsiet stingri, tā var strauji virzīties atpakaļ.

⚠UZMANĪBU: Nelielas apstrādājamas detaļas vienmēr ievietojiet skrūvspīlēs vai citā stiprinājuma ierīcē.

IEVĒRĪBAI: Nekad neizmantojiet „trīcienurbšanas” režīmu, ja darbarīkam ir uzstādīta urbja spīļpatrona. Urbja spīļpatrona var tikt bojāta. Mainot darbarīka griešanās virzienu, urbja spīļpatrona nokrītīs.

IEVĒRĪBAI: Pārmērīgs spiediens uz darbarīku urbšanas ātrumu nepalielinās. Patiesībā pārmērīgs spiediens tikai sabojās urbja uzgali, samazinās darbarīka jaudu un saīsina kalpošanas laiku.

Pagrieziet darbības režīma maiņas gredzenu pret simbolu .

Piestipriniet spīļpatronas pāreju tādai urbja spīļpatronai bez atslēgas, kurā var ievietot 1/2"-20 izmēra skrūvi, un tad piestipriniet to pie darbarīka. Veicot uzstādīšanu, skatiet sadaļu „Urbja uzgaļa uzstādīšana un noņemšana”.

► **Att.25:** 1. Urbja spīļpatronas mezgls 2. Spīļpatronas pāreja

Izpūšanas balons

Papildpiederumi

Pēc cauruma izurbšanas ar izpūšanas balonu iztīriet putekļus no cauruma.

► **Att.26**

APKOPE

⚠UZMANĪBU: Pirms darbarīka pārbaudes vai apkopes vienmēr pārlicinieties, ka darbarīks ir izslēgts un akumulatora kasetne ir izņemta.

IEVĒRĪBAI: Nekad neizmantojiet gazoīnu, benzīnu, atšķaidītāju, spirtu vai līdzīgus šķidrumus. Tas var radīt izbalēšanu, deformāciju vai plaisas.

Lai saglabātu izstrādājuma DROŠU un UZTICAMU darbību, remontdarbus, apkopi un regulēšanu uzticiet veikt tikai Makita pilnvarotam vai rūpnīcas apkopes centram, un vienmēr izmantojiet tikai Makita rezerves daļas.

PAPILDU PIEDERUMI

⚠UZMANĪBU: Šādi piederumi un papildierīces tiek ieteiktas lietošanai ar šajā rokasgrāmatā aprakstīto Makita darbarīku. Izmantojot citus piederumus vai papildierīces, var tikt radīta traumu gūšanas bīstamība. Piederumu vai papildierīci izmantojiet tikai paredzētajam mērķim.

Ja jums vajadzīga palīdzība vai precīzāka informācija par šiem piederumiem, vērsieties savā tuvākajā Makita apkopes centrā.

- Urbja uzgali ar karbīdu (SDS-Plus uzgali ar karbīdu)
- Spīļpatronas pāreja
- Urbja spīļpatrona bez atslēgas
- Uzgaļu smērvielā
- Dzīļummērs
- Izpūšanas balons
- Putekļu piltuve
- Putekļu piltuves komplekts
- Roktura pamatnes komplekts
- Aizsargbrilles
- Āķis
- Makita oriģinālais akumulators un lādētājs
- Pārnēsāšanas futrālis no plastmasas

PIEZĪME: Daži sarakstā norādītie izstrādājumi var būt iekļauti instrumenta komplektācijā kā standarta piederumi. Tie dažādās valstīs var būt atšķirīgi.

SPECIFIKACIJOS

Modelis:		HR140D
Gręžimo galia	Betonas	14 mm
	Plienas	10 mm
	Medis	13 mm
Be apkrovos		0–850 min ⁻¹
Smūgių per minutę		0–4 900 min ⁻¹
Bendrasis ilgis		246 mm
Vardinė įtampa		Nuolatinė srovė 10,8 V – 12 V (daugiausiai)
Standartinė akumulatoriaus kasetė		BL1015 / BL1016 / BL1020B / BL1021B / BL1040B / BL1041B
Grynasis svoris		1,9 – 2,6 kg

- Atliekame tęstinus tyrimus ir nuolatos tobuliname savo gaminius, todėl čia pateikiamos specifikacijos gali būti keičiamos be įspėjimo.
- Įvairiose šalyse specifikacijos ir akumulatoriaus kasetė gali skirtis.
- Svoris gali priklausyti nuo priedo (-ų), įskaitant akumulatoriaus kasetę. Lengviausias ir sunkiausias deriniai pagal EPTA 2014 m. sausio mėn. procedūrą yra parodyti lentelėje.

Numatytoji naudojimo paskirtis

Šis įrankis skirtas smūginiam ir paprastam plytų, betono ir akmens gręžimui.

Taip pat jis tinka nesmūginiam medienos, metalo, keramikos ir plastmasės gręžimui.

Triukšmas

Įprastas triukšmo A lygis, nustatytas pagal EN60745:

Garso slėgio lygis (L_{PA}): 84 dB (A)

Garso galios lygis (L_{WA}): 95 dB (A)

Paklaida (K): 3 dB (A)

ĮSPĖJIMAS: Dėvėkite ausų apsaugą.

Vibracija

Vibracijos bendroji vertė (triašio vektorius suma) nustatyta pagal EN60745 standartą:

Darbo režimas: smūginis betono gręžimas

Vibracijų intensyvumas ($a_{h,HD}$): 6,5 m/s²

Paklaida (K): 1,5 m/s²

Darbo režimas: metalo gręžimas

Vibracijos emisija ($a_{h,D}$): 3,0 m/s² arba mažiau

Paklaida (K): 1,5 m/s²

PASTABA: Paskelbtasis vibracijos emisijos dydis nustatytas pagal standartinį testavimo metodą ir jį galima naudoti vienam įrankiui palyginti su kitu.

PASTABA: Paskelbtasis vibracijos emisijos dydis taip pat gali būti naudojamas preliminariai įvertinti vibracijos poveikį.

ĮSPĖJIMAS: Faktiškai naudojant elektrinį įrankį, keliamos vibracijos dydis gali skirtis nuo paskelbtojo dydžio, priklausomai nuo būdų, kuriais yra naudojamas šis įrankis.

ĮSPĖJIMAS: Siekdami apsaugoti operatorių, būtinai įvertinkite saugos priemones, remdamiesi vibracijos poveikio įvertinimu esant faktinėms naudojimo sąlygoms (atsižvelgdami į visas darbo ciklo dalis, pavyzdžiui, ne tik kiek laiko įrankis veikia, bet ir kiek kartų jis yra išjungiamas bei kai jis veikia be apkrovų).

EB atitikties deklaracija

Tik Europos šalis

EB atitikties deklaracija yra pridedama kaip šio instrukcijų vadovo A priedas.

SAUGOS ĮSPĖJIMAI

Bendrieji įspėjimai dirbant elektriniais įrankiais

ĮSPĖJIMAS: Perskaitykite visus saugos įspėjimus, instrukcijas, iliustracijas ir techninius duomenis, pateiktus kartu su šiuo elektriniu įrankiu. Nesilaikant visų toliau išvardytų instrukcijų galima patirti elektros smūgį, gali kilti gaisras ir (arba) galima sunkiai susižaloti.

Išsaugokite visus įspėjimus ir instrukcijas, kad galėtumėte jas peržiūrėti ateityje.

Terminas „elektrinis įrankis“ pateiktuose įspėjimuose reiškia į maitinimo tinklą jungiamą (laidinį) elektrinį įrankį arba akumulatoriaus maitinamą (belaidį) elektrinį įrankį.

ĮSPĖJIMAI DĖL AKUMULIATORINIO SMŪGINIO GRĄŽTO SAUGOS

1. Naudokite klausos apsaugines priemones. Nuo triukšmo galima prarasti klausą.
2. Naudokite su įrankiu pridėtą išorinę rankeną (rankenas). Nesuvaldžius įrankio, galima susižeisti.
3. Atliškami darbus, kurių metu pjovimo antgalis gali paliesti paslėptus laidus, laikykite elektrinį įrankį tik už izoliuotų, laikyti skirtų paviršių. Pjovimo antgaliai prisilietus prie laido, kuriuo teka elektros srovė, neizoliuotos metalinės elektrinio įrankio dalys gali sukelti elektros smūgį ir nutrenkti operatorių.
4. Užsidėkite kietą galvos apdangalą (apsauginį šalną), apsauginius akinius ir (arba) veido skydelį. Įprastiniai akiniai ar akiniai nuo saulės NĖRA apsauginiai akiniai. Taip pat prilygtinai rekomenduojama užsidėti kaukę, saugančią nuo dulkių, ir pirštines su storu pamušalu.
5. Prieš pradėdami dirbti įsitikinkite, kad grąžtas tinkamai įtvirtintas.
6. Įprastai naudojant įrankį, jis vibruoja. Varžtai gali lengvai atsisukti, o tai gali tapti gedimo arba nelaimingo atsitikimo priežastimi. Prieš pradėdami dirbti atidžiai patikrinkite, ar varžtai gerai priveržti.
7. Šaltu oru, arba jei įrankiu nesinaudojote ilgą laiką, leiskite įrankiui šiek tiek išilti naudodami jį be apkrovos. Tada tepalas suminkštės. Tinkamai neįšildžius įrankio, bus sunku kalti.
8. Būtinai įsitikinkite, kad tvirtai stovite. Jei naudojate įrankį aukštai, įsitikinkite, ar apačioje nėra žmonių.
9. Laikykite įrankį tvirtai už abiejų rankenų.
10. Žiūrėkite, kad rankos būtų kuo toliau nuo judamųjų dalių.
11. Nepalikite veikiančio įrankio. Naudokite įrankį tik laikydami rankomis.
12. Dirbdami nenukreipkite veikiančio įrankio į žmones. Kalamasis grąžtas gali išlėkti ir ką nors sunkiai sužeisti.
13. Nelieskite grąžto, šalia esančių dalių arba ruošinio iškart po naudojimo; jie gali būti itin karšti ir nudeginti odą.
14. Kai kuriose medžiagose esama cheminių medžiagų, kurios gali būti nuodingos. Saugokitės, kad neįkvėptumėte dulkių ir nesiliestumėte oda. Laikykites medžiagų tiekėjo saugos duomenų.
15. Prieš perduodami įrankį kitam asmeniui, visuomet įsitikinkite, kad įrankis išjungtas, o akumuliatoriaus kasetė bei galiukas išimti.

SAUGOKITE ŠIAS INSTRUKCIJAS.

▲ ĮSPĖJIMAS: NELEISKITE, kad patogumas ir gaminio pažinimas (įgyjamas pakartotinai naudojant) susilpnintų griežtą saugos taisyklių, taikytinų šiam gaminiui, laikymąsi. Dėl NETINKAMO NAUDOJIMO arba saugos taisyklių, kurios pateiktos šioje instrukcijoje, nesilaikymo galima rimtai susižeisti.

Svarbios saugos instrukcijos, taikomos akumuliatoriaus kasetei

1. Prieš naudodami akumuliatoriaus kasetę, perskaitykite visas instrukcijas ir perspėjimus ant (1) akumuliatorių įkroviklio, (2) akumuliatorių ir (3) akumuliatorių naudojančio gaminio.
2. Neardykite akumuliatoriaus kasetės.
3. Jei įrankio darbo laikas žymiai sutrumpėjo, nedelsdami nutraukite darbą su įrankiu. Tai gali kelti perkaitimo, nudegimų ar net sprogdimo pavojų.
4. Jei elektrolitas pateko į akis, plaukite jas tyru vandeniu ir nedelsdami kreipkitės į gydytoją. Gali kilti regėjimo praradimo pavojus.
5. Neužtrumpinkite akumuliatoriaus kasetės:
 - (1) Nelieskite kontaktų degiomis medžiagomis.
 - (2) Venkite laikyti akumuliatoriaus kasetę kartu su kitais metaliniais daiktais, pavyzdžiui, vinimis, monetomis ir pan.
 - (3) Saugokite akumuliatoriaus kasetę nuo vandens ir lietaus.Trumpasis jungimas akumuliatoriuje gali sukelti stiprią srovę, perkaitimą, galimus nudegimus ar net akumuliatoriaus gedimą.
6. Nelaikykite įrankio ir akumuliatoriaus kasetės vietose, kur temperatūra gali pasiekti ar viršyti 50 °C.
7. Nedeginkite akumuliatoriaus kasetės, net jei yra stipriai pažeista ar visiškai susidėvėjusi. Ugnyje akumuliatoriaus kasetė gali sprogti.
8. Saugokite akumuliatorių nuo kritimo ir smūgių.
9. Nenaudokite pažeisto akumuliatoriaus.
10. Įdėtomis ličio jonų akumuliatoriams taikomi Pavojaingų prekių teisės akto reikalavimai. Komercinis transportas, pvz., trečiųjų šalių, prekių vežimo atstovų, turi laikytis specialaus reikalavimo ant pakuotės ir ženklavimo. Norėdami paruošti siųstiną prekę, pasitarkite su pavojaingų medžiagų specialistu. Be to, laikykitės galimai išsamesnių nacionalinių reglamentų. Užklijuokite juosta arba padenkite atvirus kontaktus ir supakuokite akumuliatorių taip, kad ji pakuotėje nejudėtų.
11. Vadovaukitės vietos įstatymais dėl akumuliatorių išmetimo.
12. Baterijas naudokite tik su „Makita“ nurodytais gaminiais. Baterijas įdėjus į netinkamus gaminius gali kilti gaisras, gaminys pernelyg kaisti, kilti sprogdimas arba pratekėti elektrolitas.

SAUGOKITE ŠIAS INSTRUKCIJAS.

▲ PERSPĖJIMAS: Naudokite tik originalų „Makita“ akumuliatorių. Neoriginalaus „Makita“ arba pakeisto akumuliatoriaus naudojimas gali nulemti gaisrą, asmens sužalojimą ir pažeidimą. Tai taip pat panaikina „Makita“ suteikiamą „Makita“ įrankio ir įkroviklio garantiją.

Patarimai, ką daryti, kad akumuliatorius veiktų kuo ilgiau

1. Pakraukite akumuliatoriaus kasetę prieš jai visiškai išsikraunant. Visuomet nustokite naudoti įrankį ir pakraukite akumuliatoriaus kasetę, kai pastebite, kad įrankio galia sumažėjo.
2. Niekada nekraukite iki galo įkrautos akumuliatoriaus kasetės. Perkraunant trumpėja akumuliatoriaus eksploatacijos laikas.
3. Akumuliatoriaus kasetę kraukite esant kambario temperatūrai 10 - 40 °C. Prieš pradėdami krauti, leiskite įkaitusiai akumuliatoriaus kasetei atvėsti.

VEIKIMO APRAŠYMAS

▲ PERSPĖJIMAS: Prieš pradėdami reguliuoti arba tikrinti įrankio veikimą, visuomet būtinai išjunkite įrankį ir išimkite akumuliatoriaus kasetę.

Akumuliatoriaus kasetės uždėjimas ir nuėmimas

▲ PERSPĖJIMAS: Prieš įdėdami arba išimdami akumuliatoriaus kasetę, visada išjunkite įrankį.

▲ PERSPĖJIMAS: Įdėdami arba išimdami akumuliatoriaus kasetę, tvirtai laikykite įrankį ir akumuliatoriaus kasetę. Jeigu įrankį ir akumuliatoriaus kasetę laikysite netvirtai, jie gali išsllysti iš jūsų rankų, todėl įrankis ir akumuliatoriaus kasetė gali būti sugadinti, o naudotojas sužalotas.

- **Pav.1:** 1. Raudonas indikatorius 2. Mygtukas 3. Akumuliatoriaus kasetė

Jei norite išimti akumuliatoriaus kasetę, ištraukite ją iš įrankio, stumdami mygtuką, esantį kasetės priekyje.

Jei norite įdėti akumuliatoriaus kasetę, sulygiuokite liežuvėlį ant akumuliatoriaus kasetės su grioveliu korpuse ir įstumkite jį ai skirtą vietą. Įdėkite iki galo, kol spragtelėdama užsifiksuos. Jeigu matote raudoną indikatorių viršutinėje mygtuko pusėje, ji nėra visiškai užfiksuota.

▲ PERSPĖJIMAS: Akumuliatoriaus kasetę visada įkiškite iki galo, kol nebematysite raudono indikatoriaus. Priešingu atveju ji gali atsitiktinai iškristi iš įrankio, sužeisti jus arba aplinkinius.

▲ PERSPĖJIMAS: Nekiškite akumuliatoriaus kasetės įėga. Jeigu kasetė sunkiai lenda, ją kišate netinkamai.

Akumuliatoriaus apsaugos sistema

Įrankyje įrengta akumuliatoriaus apsaugos sistema. Ši sistema automatiškai atjungia variklio maitinimą, kad paigėtų akumuliatoriaus naudojimo laikas. Įrankis automatiškai išsijungs darbo metu, esant vienai iš šių įrankio ir (arba) akumuliatoriaus darbo sąlygų:

Perkrautas:

Įrankis naudojamas taip, kad jame neįprastai padidėja elektros srovė.

Tokiu atveju atleiskite įrankio gaiduką ir nutraukite darbą, dėl kurio kilo įrankio perkrova. Po to vėl įjunkite įrankį.

Jeigu įrankis neįsijungia, reiškia perkaito akumuliatorius. Tokiu atveju palaukite, kol akumuliatorius atvės, paskui vėl galite įjungti įrankį.

Žema akumuliatoriaus įtampa:

Likęs akumuliatoriaus įkrovos lygis per žemas, todėl įrankis neveiks. Įjungus įrankį, variklis pradeda veikti, bet netrukus vėl išsijungia. Tokiu atveju išimkite akumuliatorių ir jį įkraukite.

Likusios akumuliatoriaus galios rodymas

Tik akumuliatoriaus kasetėms su indikatoriumi

- **Pav.2:** 1. Indikatorijų lemputės 2. Tikrinimo mygtukas

Paspauskite akumuliatoriaus kasetės tikrinimo mygtuką, kad būtų rodoma likusi akumuliatoriaus energija. Maždaug trims sekundėms užsidegs indikatorių lemputės.

Indikatorijų lemputės		Likusi galia
Šviečia	Nešviečia	
		75% - 100%
		50% - 75%
		25% - 50%
		0% - 25%

PASTABA: Rodmuo gali šiek tiek skirtis nuo faktinės energijos lygio – tai priklauso nuo naudojimo sąlygų ir aplinkos temperatūros.

Jungiklio veikimas

▲ ĮSPĖJIMAS: Prieš montuodami akumuliatoriaus kasetę įrankyje, visuomet patikrinkite, ar gaidukas tinkamai veikia ir atleistas grįžta į išjungimo padėtį „OFF“.

- **Pav.3:** 1. Gaidukas

Jei norite paleisti įrankį, tiesiog patraukite jungiklio gaiduką. Stipriau spaudžiant jungiklio gaiduką, įrankio veikimo greitis didėja. Norėdami išjungti, atleiskite svirtinį gaiduką.

Priekinės lemputės uždegimas

► **Pav.4:** 1. Gaidukas 2. Lemputė

▲PERSPĖJIMAS: Nežiūrėkite tiesiai į šviesą arba šviesos šaltinį.

Paspauskite gaiduką, kad užsidegtų lemputė. Lemputė švies tol, kol spausite gaiduką. Atleidus jungiklio gaiduką, lemputė užgesa maždaug po 10 sekundžių.

PASTABA: Purvą nuo lemos objektyvo nuvalykite sausu skudurėliu. Būkite atsargūs, kad nesubraižytumėte lemos objektyvo, nes pablogės apšvietimas.

Atbulinės eigos jungimas

► **Pav.5:** 1. Atbulinės eigos svirtelė

▲PERSPĖJIMAS: Prieš naudodami visuomet patikrinkite sukimosi kryptį.

▲PERSPĖJIMAS: Atbulinės eigos jungiklį naudokite tik įrankiui visiškai sustojus. Jei keisite sukimosi kryptį prieš įrankiui sustojant, galite sugadinti įrankį.

▲PERSPĖJIMAS: Kai nenaudojate įrankio, visuomet nustatykite atbulinės eigos jungiklio svirtelę į neutralią padėtį.


Šis įrankis turi atbulinės eigos jungiklį sukimosi kryptį keisti. Nuspauskite atbulinės eigos jungiklio svirtelę iš A pusės, kad suktyši pagal laikrodžio rodyklę, arba iš B pusės, kad suktyši prieš laikrodžio rodyklę. Kai atbulinės eigos jungiklio svirtelė yra neutralioje padėtyje, jungiklio spausti negalima.

Veikimo režimo pasirinkimas

PASTABA: Nesukite veikimo režimo keitimo rankenėlės, kai įrankis įjungtas. Galite sugadinti įrankį.


PASTABA: Norėdami išvengti greito režimo keitimo mechanizmo nusidėvėjimo, pakeitę režimą visada patikrinkite, ar tiksliai nustatėte veikimo režimo keitimo rankenėlę vienoje iš veikimo režimo padėčių.

Kalamasis gręžimas

Norėdami gręžti betoną, mūrą ir pan., pasukite veikimo režimo keitimo rankenėlę ties  simboliu. Naudokite karbidinį grąžto antgalį.

► **Pav.6:** 1. Veikimo režimo keitimo svirtelė

Tik gręžimas

Norėdami gręžti medį, metalą arba plastmasę, pasukite veikimo režimo keitimo rankenėlę ties  simboliu. Naudokite spiralinį arba medžio grąžtą.

► **Pav.7:** 1. Veikimo režimo keitimo svirtelė

SURINKIMAS

▲PERSPĖJIMAS: Prieš darydami ką nors įrankiui visada patikrinkite, ar įrenginys išjungtas, o akumuliatorių kasetė – nuimta.

Šoninė rankena (papildoma rankena)

▲PERSPĖJIMAS: Visada naudokitės šonine rankena, kad užtikrintumėte darbo saugą.

▲PERSPĖJIMAS: Sumontavę arba reguliuodami šoninę rankeną patikrinkite, ar ji yra tvirtai pritvirtinta.

Sumontuokite šoninę rankeną taip, kad ant jos esantys grioveliai tilptų tarp įrankio vamzdžio išsikišimų. Pasukite rankeną pagal laikrodžio rodyklę ir užfiksuokite ją. Rankeną galima užfiksuoti, pakreipus norimu kampu.

► **Pav.8:** 1. Šoninis spaustuvas

Tepalas

Sutepkite įkištą grąžto galvutę nedideliu kiekiu tepalo (maždaug 0,5–1 g).

Taip sutepus galvutę, prietaisas veiks ilgiau ir geriau.

Grąžto įdėjimas ir išėmimas

Nuvalykite įkištą grąžto galvutę ir sutepkite prieš įdėdami grąžtą.

► **Pav.9:** 1. Grąžto galvutė 2. Tepalas

Įkiškite grąžtą į įrankį. Pasukite grąžtą ir stumkite, kol įsistatys. Sumontavę grąžtą, visada patikrinkite, ar grąžtas saugiai laikosi, pabandydami jį ištraukti.

► **Pav.10:** 1. Grąžtas

Norėdami ištraukti grąžtą, atitraukite kumštelinio griebtuvo gaubtą iki galo žemyn ir ištraukite grąžtą.

► **Pav.11:** 1. Grąžtas 2. Kumštelinio griebtuvo gaubtas

Gylio ribotuvas

Gylio ribotuvą patogų naudoti gręžiant vienodo gylio skyles. Atlaisvinkite šoninę rankeną ir įdėkite gylio ribotuvą į skylę šoninėje rankenoje. Sureguliuokite gylio ribotuvą iki norimo gylio ir tvirtai priveržkite šoninę rankeną.

► **Pav.12:** 1. Skylutė 2. Gylio ribotuvas

PASTABA: Kai tvirtinate, užtikrinkite, kad gylio ribotuvas neliestų įrankio pagrindinio korpuso.

Dulkių rinktuvas (pasirenkamas priedas)

Dulkių rinktuvas skirtas tam, kad dulkės nekristų ant įrenginio ir jūsų, kai dirbate grąžtą išskelę virš galvos. Prie galvutės pritvirtinkite dulkių rinktuvą. Toliau nurodyti galvutės, prie kurių galima pritvirtinti dulkių rinktuvą, dydžiai.

Modelis	Galvutės skersmuo
Dulkių rinktuvas 5	6–14,5 mm
Dulkių rinktuvas 9	12–16 mm

► **Pav.13:** 1. Dulkių rinktuvas

Dulkių rinktuvo komplektas

Pasirenkamasis priedas

PASTABA: Jei dulkių rinktuvo komplektą įsigijote kaip papildomą priedą, įprastinės šoninės rankenos negalima naudoti su įrankį įdėtu dulkių rinktuvo komplektu. Kai į įrankį įdėtas dulkių rinktuvo komplektas, nuimkite rankeną nuo standartinės šoninės rankenos, tada ją pritvirtinkite prie papildomo pagrindinės rankenos komplekto.

- **Pav.14:** 1. Varžtas 2. Rankena 3. Papildomas pagrindinės rankenos komplektas

PASTABA: Nenaudokite dulkių rinktuvo, gręždami metalą arba panašią medžiagą. Dėl mažų metalo dulkių ar kitų dalelių išskiriamo karščio dulkių rinktuvas gali būti sugadintas. Nedėkite ir neišimkite dulkių rinktuvo komplekto, kai grąžtas yra įdėtas į įrankį. Dulkių rinktuvo komplektas gali būti sugadintas ir dulkęs gali pasklisti.

Prieš įdėdami dulkių rinktuvo komplektą, išimkite grąžtą iš įrankio, jeigu jis įdėtas.

Sumontuokite skyriklį taip, kad ant jo esantys grioveliai tilptų tarp įrankio vamzdžio išsikišimų, jį praplėtus.

Būkite atsargūs, kad iš skyriklio plyšio neišsoktų spyruoklė.

- **Pav.15:** 1. Skyriklis 2. Spyruoklė

► Pav.16

Sumontuokite šoninę rankeną (papildomas pagrindinės rankenos komplektas ir nuimta įprastinė šoninė rankena) taip, kad ant jos esantys grioveliai tilptų tarp skyriklio išsikišimų. Pasukite rankeną pagal laikrodžio rodyklę ir užfiksuokite ją.

- **Pav.17:** 1. Šoninė rankena

Įdėkite dulkių rinktuvo komplektą taip, kad dulkių rinktuvo žiaunos tilptų į skyriklio plyšius.

- **Pav.18:** 1. Dulkių rinktuvas 2. Žiaunos

PASTABA: Jeigu prie dulkių rinktuvo komplekto prijungsite dulkių siurbį, prieš jungdami, nuimkite dulkių dangtelį.

- **Pav.19:** 1. Dulkių dangtelis

Norėdami ištraukti grąžtą, atitraukite kumštelinio griebtuvo gaubtą iki galo žemyn ir ištraukite grąžtą.

- **Pav.20:** 1. Antgalis 2. Kumštelinio griebtuvo gaubtas

Norėdami išimti dulkių rinktuvo komplektą, prilaikykite dulkių rinktuvo pagrindą ir ištraukite jį.

- **Pav.21:** 1. Dulkių rinktuvas

PASTABA: Jeigu nusiima dulkių rinktuvo dangtelis, uždėkite jį taip, kad su spaudiniu esanti pusė būtų viršuje, o dangtelio grioveliai tilptų į priedo vidinį kraštą.

- **Pav.22**

Kablys

Pasirenkamasis priedas

▲PERSPĖJIMAS: Kai pakabinatė įrankį už kablo, visada išimkite akumuliatorių.

▲PERSPĖJIMAS: Niekada nekabinkite įrankio aukštai arba ant galimai nestabiliaus paviršiaus.

- **Pav.23:** 1. Griovelis 2. Kablys 3. Sraigtas

Kablys yra patogus naudoti norint laikinai pakabinti įrankį. Jį galima įrengti bet kurioje įrankio pusėje. Norėdami uždėti kablį, įdėkite jį į įrankio korpuso bet kurioje pusėje esantį griovelį ir tuomet pritvirtinkite sraigto. Norėdami išimti, atsukite sraigto ir išimkite.

NAUDOJIMAS

▲PERSPĖJIMAS: Darbo metu visada tvirtai laikykite įrankį už šoninės (papildoma rankena) ir pagrindinės rankenų.


▲PERSPĖJIMAS: Prieš darbą visada įtvirtinkite ruošinį.

PASTABA: Jeigu akumuliatoriaus kasetė yra žemos temperatūros, gali būti nepasiekta visa įrankio galia. Šiuo atveju sušildykite akumuliatoriaus kasetę, naudodami įrankį be apkrovos, kad pasiektumėte visą įrankio galią.

- **Pav.24**

Smūginis gręžimas

▲PERSPĖJIMAS: Įrankį / grąžto galvutę veikia didelė ir staigi sukamoji jėga, kai gręžiama skylė ir ji prisipildo nuolaužų ir dalelių arba kai įrankis / grąžto galvutė atsitrenkia į betone esančią armatūrą. Darbo metu visada tvirtai laikykite įrankį už šoninės (papildoma rankena) ir pagrindinės rankenų. Kitais atvejais prarasti įrankio valdymą ir susižeisti.

Nustatykite veikimo režimo keitimo rankenėlę ties  simboliu.

Nustatykite grąžtą į norimą vietą ties skylė ir paspauskite gaiduką. Nespauskite įrankio jėga. Geriausių rezultatų pasiekama spaudžiant nestipriai. Laikykite įrankį šioje padėtyje ir saugokite, kad nenuslystų nuo skylės.

Nespauskite stipriau, kai skylė prisipildo nuolaužų ir dalelių. Vietoj to leiskite įrankiui šiek tiek paveikti tuščiąją eiga, tada iš dalies ištraukite grąžto galvutę iš skylės. Pakartojus tai keletą kartų, skylė bus išvalyta ir bus galima toliau gręžti.

PASTABA: Kai įrankis veikia be apkrovos, besisukantis grąžtas gali išscentruoti. Darbo metu įrankis automatiškai pats susicentruoja. Tai neįtakoja gręžimo tikslumo.

Gręžimas į medį arba metalą

⚠ PERSPĖJIMAS: Laikykite įrankį tvirtai ir atsargiai žiūrėkite, kada grąžto galvutė pradės gręžti ruošinį. Įrankį / grąžto galvutę veikia didelė sukamoji jėga, kai gręžiama skylė.

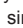
⚠ PERSPĖJIMAS: Įstrigusią grąžto galvutę galima ištraukti tiesiog atbulinės eigos jungikliį nustatant į atbulinės eigos padėtį. Tačiau įrankis gali grubiai judėti atgal, jei tvirtai nelaikysite įrankio.

⚠ PERSPĖJIMAS: Visada pritvirtinkite apdirbamus gaminius spaustuvoje arba panašiai prilaikymo prietaise.

PASTABA: Jeigu ant įrenginio sumontuotas grąžto kumštelinis griebtuvas, nenaudokite „gręžimo ir kalimo“ režimo. Galite sugadinti grąžto kumštelinį griebtuvą.

Be to, apverčiant įrankį, grąžto griebtuvas nukris.

PASTABA: Per didelis įrankio spaudimas nepageidautinas gręžimo. Iš tikrųjų dėl tokio spaudimo gali būti pažeista grąžto galvutė, pablogėti įrankio darbas ir sutrumpėti jo eksploatacavimo trukmė.

Nustatykite veikimo režimo keitimo rankenėlę ties  simboliu.

Pritvirtinkite griebtuvo suderintuvą prie berakčio grąžto kumštelinio griebtuvo, kuriame galima įsukti 1/2"–20 dydžio varžtą, tada juos sumontuokite įrankyje. Jį montuodami, žr. skyrių „Grąžto įdėjimas ir išėmimas“.

- **Pav.25:** 1. Grąžto griebtuvo komplektas
2. Griebtuvo suderintuvas

Išpūtimo kriaušė

Pasirenkamasis priedas

Išgręžę skylę naudokite išpūtimo kriaušę dulkėms iš skylės išvalyti.

- **Pav.26**

TECHNINĖ PRIEŽIŪRA

⚠ PERSPĖJIMAS: Visuomet įsitikinkite, ar įrankis yra išjungtas ir akumuliatoriaus kasetė yra nuimta prieš atlikdami apžiūrą ir priežiūrą.

PASTABA: Niekada nenaudokite gazolino, benzino, tirpiklio, spirito arba panašių medžiagų. Gali atsirasti išblukimų, deformacijų arba įtrūkimų.

Kad gaminys būtų SAUGUS ir PATIKIMAS, jį taisyti, apžiūrėti ar vykdyti bet kokią kitą priežiūrą ar derinimą turi įgaliotasis kompanijos „Makita“ techninės priežiūros centras; reikia naudoti tik kompanijos „Makita“ pagamintas atsargines dalis.

PASIRENKAMI PRIEDAI

⚠ PERSPĖJIMAS: Šiuos papildomus priedus arba įtaisus rekomenduojama naudoti su šioje instrukcijoje nurodytu „Makita“ bendrovės įrankiu. Naudojant bet kokius kitus papildomus priedus arba įtaisus, gali kilti pavojus sužeisti žmones. Naudokite tik nurodytam tikslui skirtus papildomus priedus arba įtaisus.

Jeigu norite daugiau sužinoti apie tuos priedus, kreipkitės į artimiausią „Makita“ techninės priežiūros centrą.

- Karbidinis grąžto antgalis („SDS-Plus“ grąžtai karbidiniais galiukais)
- Griebtuvo suderintuvas
- Berakčio grąžto kumštelinis griebtuvas
- Grąžto antgalio tepalas
- Gylio ribotuvas
- Išpūtimo kriaušė
- Dulkių rinktuvas
- Dulkių rinktuvo komplektas
- Pagrindinės rankenos komplektas
- Apsauginiai akiniai
- Kablys
- Originalus „Makita“ akumuliatorius ir įkroviklis
- Plastikinis nešiojimo dėklas

PASTABA: Kai kurie sąrašė esantys priedai gali būti pateikti įrankio pakuotėje kaip standartiniai priedai. Jie įvairiose šalyse gali skirtis.

TEHNILISED ANDMED

Mudel:		HR140D
Puurimisvõimsus	Betoon	14 mm
	Teras	10 mm
	Puit	13 mm
Koormuseta kiirus		0 - 850 min ⁻¹
Löökide arv minutis		0 - 4 900 min ⁻¹
Üldpikkus		246 mm
Nimipinge		Alalisvool 10,8 V - 12 V max
Standardne akukassett		BL1015 / BL1016 / BL1020B / BL1021B / BL1040B / BL1041B
Netokaal		1,9–2,6 kg

- Meie pideva uuringu- ja arendusprogrammi tõttu võidakse tehnilisi andmeid muuta ilma sellest ette teatamata.
- Tehnilised andmed ja akukassett võivad riigiti erineda.
- Kaal võib erineda olenevalt lisaseadistest, kaasa arvatud akukassetist. Kergeim ja raskeim kombinatsioon EPTA-protseduuri 01/2014 kohaselt on toodud tabelis.

Kavandatud kasutus

See tööriist on mõeldud telliste, betooni ja kivi lõõkpuurimiseks.

Lisaks sobib see puidu, metalli, keraamika ja plasti puurimiseks ilma lõõkmehhanismi kasutamata.

Müra

Tüüpiline A-korrigeeritud müratase, määratud standardi EN60745 kohaselt:

Helirõhutase (L_{pA}): 84 dB (A)

Helivõimsuse tase (L_{WA}): 95 dB (A)

Määramatus (K): 3 dB (A)

⚠ HOIATUS: Kasutage kõrvakaitsmeid.

Vibratsioon

Vibratsiooni koguväärtus (kolmeteljeliste vektorite summa) määratud standardi EN60745 kohaselt:

Töörežiim: betooni lõõkpuurimine

Vibratsiooniheide ($a_{h,HD}$): 6,5 m/s²

Määramatus (K): 1,5 m/s²

Töörežiim: metalli puurimine

Vibratsiooniheide ($a_{h,D}$): 3,0 m/s² või alla selle

Määramatus (K): 1,5 m/s²

MÄRKUS: Deklareeritud vibratsiooniheite väärtus on mõõdetud kooskõlas standardse testimismeetodiga ning seda võib kasutada ühe seadme võrdlemiseks teisega.

MÄRKUS: Deklareeritud vibratsiooniheite väärtust võib kasutada ka mürataseme esmaseks hindamiseks.

⚠ HOIATUS: Vibratsioonitase võib elektritööriista tegelikkuses kasutamise ajal erineda deklareeritud väärtusest olenevalt tööriista kasutamise viisidest.

⚠ HOIATUS: Rakendage operaatori kaitsmiseks kindlasti piisavaid ohutusabinõusid, mis põhinevad hinnangulisel müratasemel tegelikus töösituatsioonis (võttes arvesse tööperioodi kõiki osasid, nagu näiteks korrad, kui seade lülitatakse välja ja seade töötab tühikäigul, lisaks tööajale).

EÜ vastavusdeklaratsioon

Ainult Euroopa riikide puhul

EÜ vastavusdeklaratsioon sisaldub käesoleva juhendi Lisas A.

OHUTUSHOIATUSED

Üldised elektritööriistade ohutushoiatused

⚠ HOIATUS: Lugege läbi kõik selle elektritööriistaga kaasas olevad ohutushoiatused, juhised, joonised ja tehnilised andmed. Järgnevate juhiste eiramine võib põhjustada elektrilöögi, süttimise ja/või raske kehavigastuse.

Hoidke edaspidisteks viide- teks alles kõik hoiatused ja juhtnöörid.

Hoiatustes kasutatud termini „elektritööriist“ all peetakse silmas elektriga töötavaid (juhtmega) elektritööriistu või akuga töötavaid (juhtmeta) elektritööriistu.

JUHTMETA PUURVASARA OHUTUSNÕUDED

1. Kasutage kuulmiskaitsemeid. Kokkupuude müraga võib kahjustada kuulmist.
2. Kasutage lisakäepidet/pidemeid, kui need on tööriistadega kaasas. Kontrolli puudumine võib põhjustada inimestele vigastusi.
3. Hoidke elektritööriista lõikamise ajal isoleeritud käepidemest, kui lõikeriist võib kokku puutuda peidetud juhtmetega. Voolu all oleva juhtmega kokkupuutesse sattunud lõiketera võib pingestada elektritööriista metalloosi ning põhjustada kasutajale elektrilöögi.
4. Kasutage kaitsekiivrit, kaitseprille ja/või näokaitset. Tavalised prillid või päikesepriidid EI OLE kaitseprillid. Äärmiselt soovitatav on kasutada ka tolumumaski ja paksu polstriga kindaid.
5. Enne tööriista kasutamist kontrollige, kas otsak on oma kohale fikseeritud.
6. Tööriista tavapärase kasutamisega kaasneb vibratsioon. Kruvid võivad hõlpsalt lahti tulla, millega võib kaasneda tööriista purunemine või tööõnnetus. Enne tööriista kasutamist kontrollige hoolikalt kruvide pingutatust.
7. Külma ilma korral või siis, kui tööriista ei ole pikemat aega kasutatud, laske tööriistal mõnda aega soojeneda, kättades seda ilma koormuseta. See tõstab määreõli temperatuuri. Ilma nõuetekohase soojenemiseta on löökrežiimi kasutamine komplitseeritud.
8. Veenduge alati, et teie jalgealne oleks kindel. Kui töötate kõrguses, siis jälgige, et teist allpool ei viibiks inimesi.
9. Hoidke tööriista kindlalt kahe käega.
10. Hoidke käed liikuvatest osadest eemal.
11. Ärge jätke tööriista käima. Käivitage tööriist ainult siis, kui hoiate seda käes.
12. Tööriista kasutamisel ärge suunake seda läheduses viibijate poole. Otsak võib välja lennata ja põhjustada raskeid vigastusi.
13. Ärge puudutage vahetult pärast tööriista kasutamist puuriotsakut, otsaku läheduses asuvaid osi ega töödeldavat detaili, sest need võivad olla väga kuumad ja nahka põletada.
14. Mõned materjalid võivad sisaldada mürgiseid aineid. Võtke meetmed tolmusisesehingamise ja nahaga kokkupuute vältimiseks. Järgige materjali tarnija ohutusteavet.
15. Enne tööriista teisele inimesele edasiandmist kandke hoolt selle eest, et tööriist oleks välja lülitatud ning akukassetti ja otsak oleksid eemaldatud.

HOIDKE JUHEND ALLES.

⚠ HOIATUS: ÄRGE UNUSTAGE järgida toote ohutusnõudeid mugavuse või toote (korduskasutamise saavutatud) hea tundmise tõttu. VALE KASUTUS või kasutusjuhendi ohutuseeskirjade eiramine võib põhjustada tervisekahjustusi.

Akukassetiga seotud olulised ohutusjuhised

1. Enne akukassetti kasutamist lugege (1) akulaadija, (2) akul ja (3) seadmel olevad juhtnõidrid ja hoiatused läbi.
2. Ärge võtke akukassetti lahti.
3. Kui tööaeg järsult lüheneb, siis lõpetage kohe kasutamine. Edasise kasutamise tulemuseks võib olla ülekuumenemisoht, võimalikud põletused või isegi plahvatus.
4. Kui elektrolüüti satub silma, siis loputage silma puhta veega ja pöörduge koheselt arsti poole. Selline õnnetus võib põhjustada pimedaksjäämist.
5. Ärge tekitage akukassetis lühist:
 - (1) Ärge puutuge klemme elektrijuhtidega.
 - (2) Ärge hoidke akukassetti tööriistakastis koos metallesemetega, nagu naelad, mündid jne.
 - (3) Ärge tehke akukassetti märjaks ega jätke seda vihma kätte.Aku lühis võib põhjustada tugevat elektrivoolu, ülekuumenemist, põletusi ning ka seadet tõsiselt kahjustada.
6. Ärge hoidke tööriista ja akukassetti kohtades, kus temperatuur võib tõusta üle 50 °C.
7. Ärge põletage akukassetti isegi siis, kui see on saanud tõsiselt vigastada või on täiesti kurnunud. Akukassett võib tules plahvatada.
8. Olge ettevaatlik, ärge laske akul maha kukkuda ja vältige lööke.
9. Ärge kasutage kahjustatud akut.
10. Sisalduvatele liitium-ioonakudele võivad kohalduda ohtlike kaupade õigusaktide nõuded. Kaubanduslikul transportimisel, näiteks kolmandate poolte või transpordiettevõtete poolt, tuleb järgida pakendil ja siltidel toodud erinõudeid. Transportimiseks ettevalmistamisel on vajalik pidada nõu ohtliku materjali eksperdigaga. Samuti tuleb järgida võimalike riiklike regulatsioonide üksikasjalikumaid nõudeid. Katke teibiga või varjake avatud kontaktid ja pakendage aku selliselt, et see ei saaks pakendis liikkuda.
11. Järgige kasutuskõlbmatuks muutunud aku käitlemisel kohalikke eeskirju.
12. Kasutage akusid ainult Makita heaks kiidetud toodetega. Akude paigaldamine selleks mitte ettenähtud toodetele võib põhjustada süttimist, ülemäärast kuumust, plahvatamist või elektrolüüdi lekkimist.

HOIDKE JUHEND ALLES.

⚠ ETTEVAATUST: Kasutage ainult Makita originaalakusid. Mitte Makita originaalakude või muudetud akude kasutamine võib põhjustada akude süttimise, kehavigastuse ja kahjustuse. Samuti muudab see tehetuks Makita tööriista ja laadija Makita garantii.

Vihjeid aku maksimaalse kasutaja tagamise kohta

1. Laadige akukasetti enne selle täielikku tühjenemist. Kui märkate, et tööriist töötab väiksema võimsusega, peatage töö ja laadige akukasetti.
2. Ärge laadige täielikult laetud akukasetti. Ülelaadimine lühendab akude kasutusiga.
3. Laadige akukasetti toatemperatuuril 10 °C - 40 °C. Enne laadimist laske kuumenenud akukasetil maha jahtuda.

FUNKTSIONAALNE KIRJELDUS

⚠ETTEVAATUST: Kandke alati hoolt selle eest, et tööriist oleks enne reguleerimist ja kontrollimist välja lülitatud ja akukasett eemaldatud.

Akukasetti paigaldamine või eemaldamine

⚠ETTEVAATUST: Lülitage tööriist alati enne akukasetti paigaldamist või eemaldamist välja.

⚠ETTEVAATUST: Akukasetti paigaldamisel või eemaldamisel tuleb tööriista ja akukasetti kindlalt paigal hoida. Kui tööriista ja akukasetti ei hoita kindlalt paigal, võivad need käest libiseda ning kahjustada tööriista ja akukasetti või põhjustada kehavigastusi.

► **Joon.1:** 1. Punane näidik 2. Nupp 3. Akukasett

Akukasetti eemaldamiseks libistage see tööriista küljest lahti, vajutades kasseti esiküljel paiknevat nuppu alla.

Akukasetti paigaldamiseks joondage akukasetti keel korpuse soonega ja libistage kassett oma kohale. Paigaldage akuadapter alati nii kaugele, et see lukustuse klõpsatusega oma kohale. Kui näete nupu ülaosas punast osa, pole kassett täielikult lukustunud.

⚠ETTEVAATUST: Paigaldage akukasett alati täies ulatuses nii, et punast osa ei jääks näha. Muidu võib adapter juhuslikult tööriistast välja kukkuda ning põhjustada teile või läheduses viibivatele isikutele vigastusi.

⚠ETTEVAATUST: Ärge rakendage akukasetti paigaldamisel jõudu. Kui kassett ei lähe kergesti sisse, pole see õigesti paigaldatud.

Aku kaitsesüsteem

Tööriist on varustatud aku kaitsesüsteemiga. Süsteem lülitab mootori automaatselt välja, et pikendada aku tööiga.

Tööriist seiskub käitamise ajal automaatselt, kui tööriista ja/või aku kohta kehtivad järgmised tingimused:

Ülekoormus:

Tööriista kasutatakse viisil, mis põhjustab toitevoolu tugevuse tõusu lubatust kõrgemale. Sellisel juhul lülitage tööriist välja ning lõpetage tööriista ülekoormuse põhjustanud tegevus. Pärast seda käivitage tööriist uuesti. Kui tööriist ei käivitu, on aku üle kuumenenud. Sellises olukorras laske akul enne tööriista uuesti sisselülitamist jahtuda.

Madal akupinge:










Järelejäänud aku voolutugevus on liiga väike ja tööriist ei tööta. Tööriista sisse lülitades hakkab mootor tööle, kuid seiskub peatselt. Sellisel juhul eemaldage aku ja laadige seda.

Aku jääkmahutavuse näit

Ainult näidikuga akukasettidele

► **Joon.2:** 1. Märgulambid 2. Kontrollimise nupp

Akukasetti järelejäänud mahutavuse kontrollimiseks vajutage kontrollimise nuppu. Märgulambid süttivad mõneks sekundiks.

Märgulambid		Jääkmahutavus
 Põleb	 Ei põle	
		75–100%
		50–75%
		25–50%
		0–25%

MÄRKUS: Näidatud mahutavus võib veidi erineda tegelikust mahutavusest olenevalt kasutustingimustest ja ümbritseva keskkonna temperatuurist.

Lüliti funktsioneerimine

⚠HOIATUS: Kontrollige alati enne akukasetti tööriista külge paigaldamist, kas lüliti päästik funktsioneerib nõuetekohaselt ja liigub lahtilaskmisel tagasi väljalülitatud asendisse.

► **Joon.3:** 1. Lüliti päästik

Tööriista tööle panemiseks on vaja lihtsalt lüliti päästikut vajutada. Tööriista kiirus kasvab siis, kui suurendate survet lüliti päästikule. Vabastage lüliti päästik tööriista seiskamiseks.

Eesmise lambi süütamine

► **Joon.4:** 1. Lülitli päästik 2. Lamp

⚠ETTEVAATUST: Ärge vaadake otse valgusse ega valgusalikikat.

Lambi süütamiseks tõmmake lülitli päästikut. Lamp põleb sel ajal, kui tõmmatakse lülitli päästikut. Lamp kustub umbes 10 sekundit pärast lülitli päästiku vabastamist.

MÄRKUS: Pühkige lamp kuiva lapiga puhtaks. Olge seda tehes ettevaatlik, et lambi läätse mitte kriimustada, sest muidu võib valgustus väheneda.

Suunamuutmise lülitli töötamisviis

► **Joon.5:** 1. Suunamuutmise lülitli hooob

⚠ETTEVAATUST: Enne töö alustamist kontrollige alati pöörlemise suunda.

⚠ETTEVAATUST: Kasutage suunamuutmislülitli alles pärast tööriista täielikku seiskumist. Enne tööriista seiskumist suuna muutmine võib tööriista kahjustada.

⚠ETTEVAATUST: Kui tööriista ei kasutata, peab suunamuutmislülitli hooob olema alati neutraalses asendis.


Sellel tööriistal on suunamuutmise lülitli, millega saab muuta pöörlemise suunda. Suruge suunamuutmislülitli hooob A-küljel alla – tööriist pöörleb päripäeva, vastupäeva pöörlemiseks suruge see alla B-küljel. Kui suunamuutmislülitli hooob on neutraalses asendis, siis lülitli päästikut tõmmata ei saa.

Töörežiimi valimine

TÄHELEPANU: Ärge pöörake töörežiimi muutmise nuppu siis, kui tööriist töötab. Selle juhise eiramisel kaasneks tööriista kahjustumine.

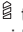
TÄHELEPANU: Selleks, et vältida režiimi muutmise mehhanismi kiiret kulumist, veenduge, et töörežiimi muutmise nupp paikneks alati korralikult ühes töörežiimi positsioonidest.

Pöörlemine koos haamrifunktsiooniga

Betooni, müüritise või muu materjali puurimiseks keerake töörežiimi muutmise nupp sümbooliga  tähistatud asendisse. Kasutage karbiidotsaga puuri.

► **Joon.6:** 1. Töörežiimi muutmise nupp

Ainult pöörlemisfunktsioon

Puidu, metalli või plastmaterjalide puurimiseks keerake töörežiimi muutmise nupp sümbooliga  tähistatud asendisse. Kasutage keerdupuuri või puidupuuri otsakat.

► **Joon.7:** 1. Töörežiimi muutmise nupp

KOKKUPANEK

⚠ETTEVAATUST: Kandke alati hoolt selle eest, et tööriist oleks enne igasuguseid hooldustöid välja lülitatud ja akukassett eemaldatud.

Külgkäepide (abipide)

⚠ETTEVAATUST: Tööohutuse tagamiseks kasutage alati külgkäepidet.

⚠ETTEVAATUST: Kontrollige alati pärast külgkäepideme paigaldamist või reguleerimist, kas külgkäepide on korralikult fikseeritud.

Paigaldage külgkäepide selliselt, et selle käepideme-poolsed sooned sobituksid tööriista trumli väljaulatavate osadega. Pöörake käepidet kinnitamiseks päripäeva. Käepideme saab fikseerida soovitud nurga alla.

► **Joon.8:** 1. Külgkäepide

Määrimine

Katke puuri varrepoolne osa vähese määrideõli kogusega (ligikaudu 0,5–1 g). Padruni määrimine aitab tagada sujuvat talitlust ja pikendab kasutusiga.

Puuri paigaldamine või eemaldamine

Puhastage puuri varrepoolne osa ja kandke enne puuri paigaldamist sellele määrideõli.

► **Joon.9:** 1. Varrepoolne ots 2. Määrimine

Sisestage puur tööriista. Keerake puuri ja suruge seda sisse, kuni see fikseerub.

Pärast puuri paigaldamist püüdke seda alati välja tõmmata, et kontrollida, kas puur on korralikult oma kohale fikseeritud.

► **Joon.10:** 1. Puur

Puuri eemaldamiseks tõmmake padruni kate lõpuni alla ja tõmmake puur välja.

► **Joon.11:** 1. Puur 2. Padruni kate

Sügavuse piiraja

Sügavuse piiraja on mugav abivahend ühesuguse sügavusega aukude puurimiseks. Lõdvendage külgkäepidet ja paigaldage sügavuse piiraja külgkäepidemes olevasse avasse. Reguleerige sügavus piiraja soovitud sügavusele ja kinnitage külgkäepide tugevalt.

► **Joon.12:** 1. Ava 2. Sügavuse piiraja

MÄRKUS: Veenduge, et sügavuse piiraja ei puudutaks tööriista kinnitamise ajal selle põhiosa.

Tolmutops (lisatarvik)

Ülespoole suunatud puurimisel kasutage tolmutopsi, et vältida tolmu langemist tööriistale ja kasutajale. Kinnitage tolmutops joonisel näidatud viisil otsaku külge. Tolmutopsi saab kinnitada järgmise suurusega otsakutele.

Mudel	Puuri läbimõõt
Tolmutops 5	6 mm - 14,5 mm
Tolmutops 9	12 mm - 16 mm

► **Joon.13:** 1. Tolmutops

Tolmutopsi komplekt

Lisatarvik

TÄHELEPANU: Kui ostate valikulise lisatarvikuna tolmutopsi komplekti ja paigaldate selle tööriistale, ei ole standardne külgakäepide kasutatav. Kui tolmutopsi komplekt paigaldatakse tööriistale, eemaldage käepide standardsest külgakäepidemest ja seejärel kinnitage see valikulise käepideme alusekomplekti külge.

► **Joon.14:** 1. Polt 2. Käepide 3. Valikuline käepideme alusekomplekt

TÄHELEPANU: Ärge kasutage tolmutopsi komplekti metalli jms materjali puurimisel. See võib peene metalltolmu või muu sarnase poolt tekkinud kuumuse mõjul tolmutopsi komplekti kahjustada. Ärge paigaldage ega eemaldage tolmutopsi komplekti sel ajal, kui puur on tööriista küljes. See võib kahjustada tolmutopsi komplekti ja põhjustada tolmu lekkimist.

Enne tolmutopsi komplekti paigaldamist eemaldage tööriista küljest otsak.

Paigaldage vahepuks selliselt, et selle sooned sobituksid tööriista trumli väljalauluvate osadega, samal ajal seda laiendades. Jälgige, et vedru ei tuleks vahepuksi pilust välja.

► **Joon.15:** 1. Vahepuks 2. Vedru

► **Joon.16**

Paigaldage külgakäepide (valikulise käepideme alusekomplekt ja standardsest käepidemelt eemaldatud käepide) nii, et käepidemel olev soon sobituks vahepuksil oleva eendiga. Pöörake käepidet kinnitamiseks päripäeva.

► **Joon.17:** 1. Külgakäepide

Paigaldage tolmutopsi komplekt selliselt, et tolmutopsi haaratsid sobituksid vahepuksi piludesse.

► **Joon.18:** 1. Tolmutops 2. Haaratsid

MÄRKUS: Kui ühendate tolmuimeja tolmutopsi komplektiga, eemaldage enne selle ühendamist tolmutork.

► **Joon.19:** 1. Tolmutork

Puuri eemaldamiseks tõmmake padruni kate lõpuni alla ja tõmmake puur välja.

► **Joon.20:** 1. Otsak 2. Padruni kate

Tolmutopsi komplekti eemaldamiseks hoidke tolmutopsi alumisest osast kinni ja tõmmake see välja.

► **Joon.21:** 1. Tolmutops

MÄRKUS: Kui kork tuleb tolmutopsi küljest lahti, kinnitage see, trükitud pool ülespoole suunatud, nii et korgil olev soon sobituks lisaseadme keskosa sisse.

► **Joon.22**

Konks

Lisatarvik

ÄTTEVAATUST: Eemaldage alati aku, kui kasutate tööriista riputamiseks konksu.

ÄTTEVAATUST: Ärge kunagi riputage tööriista kõrgele ega potentsiaalselt ebastabiilsele pinnale.

► **Joon.23:** 1. Soon 2. Konks 3. Kruvi

Konks on mugav tööriista ajutiseks riputamiseks. Selle võib paigaldada tööriista kummalegi poole.

Konksu paigaldamiseks lükake see tööriista korpuse ükskõik kummal küljel olevasse soonde ja kinnitage kruviga. Eemaldamiseks keerake kruvi lahti ja võtke välja.

TÖÖRIISTA KASUTAMINE

ÄTTEVAATUST: Kasutage alati külgakäepidet (abikäepide) ning hoidke tööriista töö ajal kindlalt nii külgakäepidemest kui ka lülitiga käepidemest.


ÄTTEVAATUST: Kontrollige alati enne kasutamist, kas töödeldav detail on nõuetekohaselt fikseeritud.

MÄRKUS: Kui akukassett on madalal temperatuuril, ei pruugi tööriist saavutada täielikku töövõimsust. Sel juhul soojendage akukassetti koormamata tööriista kasutades mõne aja vältel, et saavutada tööriista täielik töövõime.

► **Joon.24**

Löökpuurimise režiim

ÄTTEVAATUST: Materjali läbistamisel rakendub tööriistale/puuriotsakule väga suur ja järsk väandajõud, kui auk ummistub laastude ja osakestega või kui tabatakse betooni sarrust. **Kasutage alati külgakäepidet (abikäepide) ning hoidke tööriista töö ajal kindlalt nii külgakäepidemest kui ka lülitiga käepidemest.** Muidu võib tagajärjeks olla kontrolli kaotamine tööriista üle ja raske kehavigastus.

Keerake töörežiimi muutmise nupp sümboliga  tähis-
tatud asendisse.

Pange puuriotsak augu puurimiseks soovitud asukohta ja tõmmake seejärel lüliti päästikut. Ärge rakendage tööriista kasutamisel jõudu. Parimad tulemused annab kerge surve rakendamine. Hoidke tööriista õiges asendis ja vältige selle august väljalibisemist.

Ärge rakendage lisasurvet, kui laastud või osakesed ummistavad augu. Käitage selle asemel tööriista tühikäigul ja eemaldage seejärel puuriotsak osaliselt august. Selle toimingu kordamine aitab auku tühjendada, et saaksite jätkata tavapärase puurimisega.

MÄRKUS: Tööriista koormuseta kasutamisel võib puuriotsak pöörelda eksentriliselt. Tööriist tsentree-
rub käitamisel automaatselt. See ei mõjuta puurimise täpsust.

Puidu või metalli puurimine


⚠ETTEVAATUST: Hoidke tööriista kindlalt ning olge tähelepanelik, kui puuriotsak hakkab puuritava materjalist läbi tungima. Materjali läbistamisel rakendub tööriistale/puuriotsakule väga suur jõud.

⚠ETTEVAATUST: Kinnikiilunud puuriotsaku saab lihtsalt vabastada, kui muudate puuri pöörlemissuuna vastupidiseks. Kui tööriista ei hoita kindlalt, võib see ootamatult tagasi viskuda.

⚠ETTEVAATUST: Kinnitage töödeldavad esemed alati kruustangide või mõne sarnase kinnitusvahendiga.

TÄHELEPANU: Ärge kunagi kasutage pöörlemisfunktsiooni koos haamrifunktsiooniga, kui tööriistale on paigaldatud puuripadrun. Selle juhise eiramisel kaasneb puuripadruni kahjustumine. Samuti tuleks tööriista pöörlemisel puuripadrun tööriista küljest lahti.

TÄHELEPANU: Liiga suur surve seadmele ei kiirenda puurimist. Liigne surve hoopis kahjustab puuriotsaku tippu, vähendab seadme efektiivsust ja lühendab seadme tööiga.

Seadke töörežiimi muutmise nupp sümboliga  tähis-
tatud asendisse.

Kinnitage padruniadapter võtmeta puuripadruni külge, millele saab paigaldada kruvi suurusega 1/2"-20, seejärel paigaldage need tööriistale. Paigaldamise kohta vadake teavet jaotises „Puuri paigaldamine või eemaldamine“.

► **Joon.25:** 1. Puuripadruni moodul 2. Padruniadapter

Läbipõlenud pirn

Lisatarvik

Kui auk on valmis puuritud, kasutage läbipõlenud pirni, et auku tolmest puhastada.

► **Joon.26**

HOOLDUS

⚠ETTEVAATUST: Enne kontroll- või hooldustoimingute tegemist kandke alati hoolt selle eest, et tööriist oleks välja lülitatud ja akukassett korpuse küljest eemaldatud.

TÄHELEPANU: Ärge kunagi kasutage bensiini, vedeldit, alkoholi ega midagi muud sarnast. Selle tulemuseks võib olla lülitumine, deformatsioon või pragunemine.

Toote OHUTUSE ja TÖÖKINDLUSE tagamiseks tuleb vajalikud remonttööd ning muud hooldus- ja reguleerimistööd lasta teha Makita volitatud teeninduskeskustes või tehase teeninduskeskustes. Alati tuleb kasutada Makita varuosi.

VALIKULISED TARVIKUD

⚠ETTEVAATUST: Neid tarvikuid ja lisaseadiseid on soovitatav kasutada koos Makita tööriistaga, mille kasutamist selles kasutusjuhendis kirjeldatakse. Muude tarvikute ja lisaseadiste kasutamisega kaasneb vigastada saamise oht. Kasutage tarvikuid ja lisaseadiseid ainult otstarbekohaselt.

Saate vajaduse korral kohalikust Makita teeninduskeskusest lisateavet nende tarvikute kohta.

- Karbiidist otsaga puuriotsak (SDS-Plusi karbiidot-
sakuga puurid)
- Padruniadapter
- Võtmeta puuripadrun
- Puurimääre
- Sügavuse piiraja
- Läbipõlenud pirn
- Tolmutops
- Tolmutopsi komplekt
- Käepideme alusekomplekt
- Kaitseprillid
- Konks
- Makita algupärane aku ja laadija
- Plastkohver

MÄRKUS: Mõned nimekirjas loetletud tarvikud võivad kuuluda standardvarustusse ning need on lisatud tööriista pakendisse. Need võivad riigiti erineda.

ТЕХНИЧЕСКИЕ ХАРАКТЕРИСТИКИ

Модель:		HR140D
Максимальный диаметр сверления	Бетон	14 мм
	Сталь	10 мм
	Дерево	13 мм
Число оборотов без нагрузки		0 - 850 мин ⁻¹
Ударов в минуту		0 - 4 900 мин ⁻¹
Общая длина		246 мм
Номинальное напряжение		10,8 - 12 В пост. тока, макс.
Стандартный блок аккумулятора		BL1015 / BL1016 / BL1020B / BL1021B / BL1040B / BL1041B
Масса нетто		1,9 - 2,6 кг

- Благодаря нашей постоянно действующей программе исследований и разработок указанные здесь технические характеристики могут быть изменены без предварительного уведомления.
- Технические характеристики и аккумуляторный блок могут отличаться в зависимости от страны.
- Масса может отличаться в зависимости от дополнительного оборудования. Обратите внимание, что блок аккумулятора также считается дополнительным оборудованием. В таблице представлены комбинации с наибольшим и наименьшим весом в соответствии с процедурой EPTA 01/2014.

Назначение

Инструмент предназначен для ударного и обычного сверления кирпича, бетона и камня. Он также подходит для безударного сверления дерева, металла, керамики и пластмассы.

Шум

Типичный уровень взвешенного звукового давления (A), измеренный в соответствии с EN60745:
 Уровень звукового давления (L_{pA}): 84 дБ (A)
 Уровень звуковой мощности (L_{WA}): 95 дБ (A)
 Погрешность (K): 3 дБ (A)

⚠ ОСТОРОЖНО: Используйте средства защиты слуха.

Вибрация

Суммарное значение вибрации (сумма векторов по трем осям), определенное в соответствии с EN60745:

Рабочий режим: ударное сверление бетона

Распространение вибрации ($a_{h,HD}$): 6,5 м/с²

Погрешность (K): 1,5 м/с²

Рабочий режим: сверление металла

Распространение вибрации ($a_{h,D}$): 3,0 м/с² или менее

Погрешность (K): 1,5 м/с²

ПРИМЕЧАНИЕ: Заявленное значение распространения вибрации измерено в соответствии со стандартной методикой испытаний и может быть использовано для сравнения инструментов.

ПРИМЕЧАНИЕ: Заявленное значение распространения вибрации можно также использовать для предварительных оценок воздействия.

⚠ ОСТОРОЖНО: Распространение вибрации во время фактического использования электроинструмента может отличаться от заявленного значения в зависимости от способа применения инструмента.

⚠ ОСТОРОЖНО: Обязательно определите меры безопасности для защиты оператора, основанные на оценке воздействия в реальных условиях использования (с учетом всех этапов рабочего цикла, таких как выключение инструмента, работа без нагрузки и включение).

Декларация о соответствии ЕС

Только для европейских стран

Декларация о соответствии ЕС включена в руководство по эксплуатации (Приложение А).

МЕРЫ БЕЗОПАСНОСТИ

Общие рекомендации по технике безопасности для электроинструментов

⚠ ОСТОРОЖНО: Ознакомьтесь со всеми предоставленными инструкциями по технике безопасности, указаниями, иллюстрациями и техническими характеристиками, прилагаемыми к данному электроинструменту. Несоблюдение каких-либо инструкций, указанных ниже, может привести к поражению электрическим током, пожару и/или серьезной травме.

Сохраните брошюру с инструкциями и рекомендациями для дальнейшего использования.

Термин "электроинструмент" в предупреждениях относится ко всему инструменту, работающему от сети (с проводом) или на аккумуляторах (без провода).

ПРАВИЛА ТЕХНИКИ БЕЗОПАСНОСТИ ПРИ ОБРАЩЕНИИ С АККУМУЛЯТОРНЫМ ПЕРФОРАТОРОМ

1. **Обязательно используйте средства защиты слуха.** Воздействие шума может привести к потере слуха.
2. **Используйте дополнительную ручку (если входит в комплект инструмента).** Утрата контроля над инструментом может привести к травме.
3. **Если при выполнении работ существует риск контакта режущего инструмента со скрытой электропроводкой, держите электроинструмент за специально предназначенные изолированные поверхности.** Контакт с проводом под напряжением может стать причиной поражения оператора током.
4. **Надевайте защитную каску (защитный шлем), защитные очки и/или защитную маску для лица.** Обычные или солнцезащитные очки **НЕ ЯВЛЯЮТСЯ** защитными очками. Также настоятельно рекомендуется надевать противопылевой респиратор и перчатки с толстыми подкладками.
5. **Перед выполнением работ убедитесь в надежном креплении головки сверла.**
6. **При нормальной эксплуатации инструмент может вибрировать.** Винты могут раскрутиться, что приведет к поломке или несчастному случаю. Перед эксплуатацией тщательно проверяйте затяжку винтов.
7. **В холодную погоду, или если инструмент не использовался в течение длительного периода времени, дайте инструменту немного прогреться, включив его без нагрузки.** Это размягчит смазку. Без надлежащего прогрева ударное действие будет затруднено.
8. **При выполнении работ всегда занимайте устойчивое положение.** При использовании инструмента на высоте убедитесь в отсутствии людей внизу.
9. **Крепко держите инструмент обеими руками.**
10. **Руки должны находиться на расстоянии от движущихся деталей.**
11. **Не оставляйте работающий инструмент без присмотра.** Включайте инструмент только тогда, когда он находится в руках.
12. **При выполнении работ не направляйте инструмент на кого-либо, находящегося в месте выполнения работ.** Головка сверла может выскочить и травмировать других людей.

13. **Сразу после окончания работ не прикасайтесь к обрабатываемой детали, головке сверла или к деталям в непосредственной близости от нее.** Головка сверла может быть очень горячей и обжечь кожу.
14. **Некоторые материалы могут содержать токсичные химические вещества.** Примите соответствующие меры предосторожности, чтобы избежать вдыхания или контакта с кожей таких веществ. Соблюдайте требования, указанные в паспорте безопасности материала.
15. **Прежде чем передать инструмент другому человеку, убедитесь, что он отключен, а блок аккумулятора извлечен.**

СОХРАНИТЕ ДАННЫЕ ИНСТРУКЦИИ.

⚠ ОСТОРОЖНО: НЕ ДОПУСКАЙТЕ, чтобы удобство или опыт эксплуатации данного устройства (полученный от многократного использования) доминировали над строгим соблюдением правил техники безопасности при обращении с этим устройством. **НЕПРАВИЛЬНОЕ ИСПОЛЬЗОВАНИЕ** инструмента или несоблюдение правил техники безопасности, указанных в данном руководстве, может привести к тяжелой травме.

Важные правила техники безопасности для работы с аккумуляторным блоком

1. **Перед использованием аккумуляторного блока прочитайте все инструкции и предупреждающие надписи на (1) зарядном устройстве, (2) аккумуляторном блоке и (3) инструменте, работающем от аккумуляторного блока.**
2. **Не разбирайте аккумуляторный блок.**
3. **Если время работы аккумуляторного блока значительно сократилось, немедленно прекратите работу.** В противном случае, может возникнуть перегрев блока, что приведет к ожогам и даже к взрыву.
4. **В случае попадания электролита в глаза промойте их обильным количеством чистой воды и немедленно обратитесь к врачу.** Это может привести к потере зрения.
5. **Не замыкайте контакты аккумуляторного блока между собой:**
 - (1) **Не прикасайтесь к контактам какими-либо токопроводящими предметами.**
 - (2) **Не храните аккумуляторный блок в контейнере вместе с другими металлическими предметами, такими как гвозди, монеты и т. п.**
 - (3) **Не допускайте попадания на аккумуляторный блок воды или дождя.****Замыкание контактов аккумуляторного блока между собой может привести к возникновению большого тока, перегреву, возможным ожогам и даже поломке блока.**

6. Не храните инструмент и аккумуляторный блок в местах, где температура может достигать или превышать 50 °C (122 °F).
7. Не бросайте аккумуляторный блок в огонь, даже если он сильно поврежден или полностью вышел из строя. Аккумуляторный блок может взорваться под действием огня.
8. Не роняйте и не ударяйте аккумуляторный блок.
9. Не используйте поврежденный аккумуляторный блок.
10. Входящие в комплект литий-ионные аккумуляторы должны эксплуатироваться в соответствии с требованиями законодательства об опасных товарах.
При коммерческой транспортировке, например, третьей стороной или экспедитором, необходимо нанести на упаковку специальные предупреждения и маркировку.
В процессе подготовки устройства к отправке обязательно проконсультируйтесь со специалистом по опасным материалам. Также соблюдайте местные требования и нормы. Они могут быть строже.
Закройте или закрепите разомкнутые контакты и упакуйте аккумулятор так, чтобы он не перемещался по упаковке.
11. Выполняйте требования местного законодательства относительно утилизации аккумуляторного блока.
12. Используйте аккумуляторы только с продукцией, указанной Makita. Установка аккумуляторов на продукцию, не соответствующую требованиям, может привести к пожару, перегреву, взрыву или утечке электролита.

СОХРАНИТЕ ДАННЫЕ ИНСТРУКЦИИ.

ВНИМАНИЕ: Используйте только фирменные аккумуляторные батареи Makita. Использование аккумуляторных батарей, не произведенных Makita, или батарей, которые были подвергнуты модификациям, может привести к взрыву аккумулятора, пожару, травмам и повреждению имущества. Это также автоматически аннулирует гарантию Makita на инструмент и зарядное устройство Makita.

Советы по обеспечению максимального срока службы аккумулятора

1. Заряжайте блок аккумуляторов перед его полной разрядкой. Обязательно прекратите работу с инструментом и зарядите блок аккумуляторов, если вы заметили снижение мощности инструмента.
2. Никогда не подзаряжайте полностью заряженный блок аккумуляторов. Перезарядка сокращает срок службы аккумулятора.
3. Заряжайте блок аккумуляторов при комнатной температуре в 10 - 40 °C (50 - 104 °F). Перед зарядкой горячего блока аккумуляторов дайте ему остыть.

ОПИСАНИЕ РАБОТЫ

ВНИМАНИЕ: Перед регулировкой или проверкой функций инструмента обязательно убедитесь, что он выключен и его аккумуляторный блок снят.

Установка или снятие блока аккумуляторов

ВНИМАНИЕ: Обязательно выключайте инструмент перед установкой и извлечением аккумуляторного блока.

ВНИМАНИЕ: При установке и извлечении аккумуляторного блока крепко удерживайте инструмент и аккумуляторный блок. Если не соблюдать это требование, они могут выскользнуть из рук, что приведет к повреждению инструмента, аккумуляторного блока и травмированию оператора.

► **Рис.1:** 1. Красный индикатор 2. Кнопка 3. Блок аккумулятора

Для снятия аккумуляторного блока нажмите кнопку на лицевой стороне и извлеките блок.

Для установки аккумуляторного блока совместите выступ аккумуляторного блока с пазом в корпусе и задвиньте его на место. Устанавливайте блок до упора так, чтобы он зафиксировался на месте с небольшим щелчком. Если вы можете видеть красный индикатор на верхней части клавиши, адаптер аккумулятора не полностью установлен на месте.

ВНИМАНИЕ: Обязательно устанавливайте аккумуляторный блок до конца, чтобы красный индикатор не был виден. В противном случае аккумуляторный блок может выпасть из инструмента и нанести травму вам или другим людям.

ВНИМАНИЕ: Не прилагайте чрезмерных усилий при установке аккумуляторного блока. Если блок не двигается свободно, значит он вставлен неправильно.

Система защиты аккумулятора

На инструменте предусмотрена система защиты аккумулятора. Она автоматически отключает питание двигателя для продления срока службы аккумулятора. Инструмент автоматически остановится во время работы при возникновении указанных ниже ситуаций.

Перегрузка:

Из-за способа эксплуатации инструмент потребляет очень большое количество тока.

В этом случае выключите инструмент и прекратите работу, повлекшую перегрузку инструмента. Затем включите инструмент для перезапуска.

Если инструмент не включается, значит перегрелся аккумуляторный блок. В этом случае дайте аккумулятору остыть перед повторным включением инструмента.

Низкое напряжение аккумуляторной батареи:

Уровень оставшейся емкости аккумулятора слишком низкий, и инструмент не работает. При включении инструмента электродвигатель запускается и вскоре останавливается. В этом случае снимите и зарядите аккумулятор.

Индикация оставшегося заряда аккумулятора

Только для блоков аккумулятора с индикатором

► Рис.2: 1. Индикаторы 2. Кнопка проверки

Нажмите кнопку проверки на аккумуляторном блоке для проверки заряда. Индикаторы загорятся на несколько секунд.

Индикаторы	Уровень заряда
 Горит Выкл.	
	от 75 до 100%
	от 50 до 75%
	от 25 до 50%
	от 0 до 25%

ПРИМЕЧАНИЕ: В зависимости от условий эксплуатации и температуры окружающего воздуха индикация может незначительно отличаться от фактического значения.

Действие выключателя

▲ОСТОРОЖНО: Перед установкой аккумуляторного блока в инструмент обязательно убедитесь, что его триггерный переключатель нормально работает и возвращается в положение "OFF" (ВЫКЛ) при отпуске.

► Рис.3: 1. Триггерный переключатель

Для запуска инструмента просто нажмите на триггерный переключатель. Для увеличения числа оборотов нажмите триггерный переключатель сильнее. Отпустите триггерный переключатель для остановки.

Включение передней лампы

► Рис.4: 1. Триггерный переключатель 2. Лампа

▲ВНИМАНИЕ: Не смотрите непосредственно на свет или источник света.

Лампа продолжает гореть, пока нажат триггерный переключатель. Лампа будет светиться до тех пор, пока нажат триггерный переключатель. Лампа гаснет примерно через 10 секунд после отпущения триггерного переключателя.

ПРИМЕЧАНИЕ: Для удаления пыли с линзы лампы используйте сухую ткань. Не допускайте возникновения царапин на линзе лампы, так как это приведет к снижению освещенности.

Действие реверсивного переключателя

► Рис.5: 1. Рычаг реверсивного переключателя

▲ВНИМАНИЕ: Перед работой всегда проверяйте направление вращения.

▲ВНИМАНИЕ: Используйте реверсивный переключатель только после полной остановки инструмента. Изменение направления вращения до полной остановки инструмента может привести к его повреждению.

▲ВНИМАНИЕ: Если инструмент не используется, обязательно переведите рычаг реверсивного переключателя в нейтральное положение.


Этот инструмент оборудован реверсивным переключателем для изменения направления вращения. Нажмите на рычаг реверсивного переключателя со стороны А для вращения по часовой стрелке или со стороны В для вращения против часовой стрелки. Когда рычаг реверсивного переключателя находится в нейтральном положении, триггерный переключатель нажать нельзя.

Выбор режима действия

ПРИМЕЧАНИЕ: Не поворачивайте ручку изменения режима работы во время работы инструмента. Это приведет к поломке инструмента.


ПРИМЕЧАНИЕ: Во избежание быстрого износа механизма изменения режима следите за тем, чтобы ручка изменения режима работы всегда точно находилась в одном из положений режима действия.

Вращение с ударным действием

Для сверления бетона, кирпичной кладки и т.п. поверните ручку изменения режимов работы в положение . Используйте головку сверла с твердосплавной пластиной.

► Рис.6: 1. Ручка изменения режима работы

Только вращение

Для сверления дерева, металла или пластмасс поверните ручку изменения режимов работы в положение . Используйте спиральное сверло или сверло по дереву.

► Рис.7: 1. Ручка изменения режима работы

СБОРКА

⚠ ВНИМАНИЕ: Перед проведением каких-либо работ с инструментом обязательно убедитесь, что инструмент отключен, а блок аккумулятора снят.

Боковая ручка (вспомогательная рукоятка)

⚠ ВНИМАНИЕ: Для обеспечения безопасности во время работ всегда используйте боковую ручку.

⚠ ВНИМАНИЕ: После установки или регулировки боковой ручки убедитесь в надежности ее крепления.

Установите боковую ручку так, чтобы выступы на ее основании вошли в пазы на цилиндрической части инструмента. Поверните ручку по часовой стрелке для фиксации. Ручку можно закрепить под нужным углом.

► **Рис.8:** 1. Боковая ручка

Смазка

Смажьте хвостовик головки сверла заранее небольшим количеством смазки для головки сверла (примерно 0,5 - 1 г).

Такая смазка патрона обеспечивает равномерную работу и увеличивает срок службы.

Установка или снятие головки сверла

Перед установкой головки сверла очистите хвостовик и смажьте его.

► **Рис.9:** 1. Хвостовик 2. Смазка

Вставьте головку сверла в инструмент. Поверните головку сверла и нажмите, чтобы зафиксировать. После установки убедитесь в надежной фиксации головки сверла, для чего потяните за нее.

► **Рис.10:** 1. Головка сверла

Чтобы снять головку сверла, нажмите вниз на крышку патрона и вытащите головку сверла.

► **Рис.11:** 1. Головка сверла 2. Крышка патрона

Глубиномер

Глубиномер удобен для сверления отверстий одинаковой глубины. Ослабьте боковую ручку и вставьте глубиномер в отверстие боковой ручки. Отрегулируйте глубиномер на желаемую глубину и крепко затяните боковую ручку.

► **Рис.12:** 1. Отверстие 2. Глубиномер

ПРИМЕЧАНИЕ: Во время присоединения убедитесь, что глубиномер не касается корпуса инструмента.

Колпак для пыли (дополнительная принадлежность)

Используйте колпак для пыли для предотвращения падения пыли на инструмент и на вас при выполнении сверления над головой. Прикрепите колпак для пыли к сверлу, как показано на рисунке. Размер сверл, к которым можно прикрепить колпак для пыли, следующий.

Модель	Диаметр сверла
Колпак для пыли 5	6 мм - 14,5 мм
Колпак для пыли 9	12 мм - 16 мм

► **Рис.13:** 1. Колпак для пыли

Колпак для пыли в сборе

Дополнительные принадлежности

ПРИМЕЧАНИЕ: Если вы приобретаете колпак для пыли в сборе в качестве дополнительной принадлежности, при установленном колпаке для пыли в сборе невозможно использовать стандартную боковую ручку. После установки колпака для пыли в сборе на инструмент снимите ручку со стандартной боковой ручки, затем прикрепите ее к дополнительному основанию ручки в сборе.

► **Рис.14:** 1. Болт 2. Ручка 3. Дополнительное основание ручки в сборе

ПРИМЕЧАНИЕ: Не используйте колпак для пыли в сборе при сверлении металла или аналогичного материала. Это может привести к повреждению колпака для пыли в сборе нагретыми металлическими или подобными частицами. Не устанавливайте и не снимайте колпак для пыли в сборе при установленной на инструмент головке сверла. Это может привести к повреждению колпака для пыли в сборе и утечке пыли.

Перед установкой колпака для пыли в сборе снимите с инструмента сверло, если оно было на него установлено.

Установите проставку так, чтобы выступы на ее основании вошли в пазы на цилиндрической части инструмента, расширяя ее. Не допустите соскальзывания пружины с прорези проставки.

► **Рис.15:** 1. Проставка 2. Пружина

► **Рис.16**

Установите боковую ручку (дополнительное основание ручки в сборе и ручка, снятая со стандартной боковой ручки) так, чтобы выступ на проставке вошел в паз на ручке. Поверните ручку по часовой стрелке для фиксации.

► **Рис.17:** 1. Боковая ручка

Установите колпак для пыли в сборе так, чтобы захваты колпака для пыли вошли в прорези проставки.

► **Рис.18:** 1. Колпак для пыли 2. Захваты

ПРИМЕЧАНИЕ: В случае использования пылесоса совместно с колпаком для пыли в сборе перед подсоединением снимите крышку колпака для пыли.

► **Рис.19:** 1. Крышка колпака для пыли

Чтобы снять головку сверла, нажмите вниз на крышку патрона и вытащите головку сверла.

► **Рис.20:** 1. Сверло 2. Крышка патрона

Чтобы снять колпак для пыли в сборе, возьмитесь за основание колпака и потяните.

► **Рис.21:** 1. Колпак для пыли

ПРИМЕЧАНИЕ: Если крышка отсоединилась от колпака для пыли, прикрепите ее так, чтобы сторона с печатью была направлена вверх, а выступ на крышке располагался внутри периметра дополнительного оборудования.

► **Рис.22**

Крючок

Дополнительные принадлежности

ВНИМАНИЕ: Обязательно извлекайте аккумулятор при подвешивании инструмента с помощью крючка.

ВНИМАНИЕ: Никогда не вешайте инструмент на высоте или на потенциально неустойчивой поверхности.

► **Рис.23:** 1. Паз 2. Крючок 3. Винт

Крючок удобен для временного подвешивания инструмента. Он может быть установлен с любой стороны инструмента.

Для установки крючка вставьте его в паз в корпусе инструмента с одной из сторон и закрепите при помощи винта. Для снятия ослабьте винт и извлеките ее.

ЭКСПЛУАТАЦИЯ

ВНИМАНИЕ: Всегда пользуйтесь боковой ручкой (вспомогательной рукояткой) и при работе крепко держите инструмент и за боковую ручку, и за ручку с выключателем.


ВНИМАНИЕ: Перед началом работы всегда проверяйте надежность закрепления рабочей детали.

ПРИМЕЧАНИЕ: Если температура блока аккумулятора низкая, производительность инструмента может быть снижена. В этом случае нагрейте блок аккумулятора, для этого дайте инструменту поработать без нагрузки в течение некоторого времени. Производительность инструмента восстановится.

► **Рис.24**

Сверление с ударным действием

ВНИМАНИЕ: Когда инструмент/головка сверла начинает выходить из материала при завершении отверстия или когда отверстие забивается стружкой или частицами, а также при попадании на пруток арматуры при сверлении бетона, возникает огромное мгновенное усилие на инструмент/головку сверла. **Всегда пользуйтесь боковой ручкой (вспомогательной рукояткой) и при работе крепко держите инструмент и за боковую ручку, и за ручку с выключателем.** Несоблюдение данного требования может привести к потере контроля над инструментом и серьезной травме.

Поверните ручку изменения режима работы к символу .

Расположите головку сверла в желаемом положении в отверстии, затем нажмите триггерный переключатель. Не прилагайте излишних усилий к инструменту. Небольшое усилие на инструмент приводит к лучшим результатам. Удерживайте инструмент на месте и не допускайте его соскальзывания с места выполнения отверстия.

Не применяйте дополнительное давление, если отверстие засорено щепками или посторонними частицами. Вместо этого дайте инструменту поработать вхолостую и затем частично вытащите головку сверла из отверстия. Если эту процедуру проделать несколько раз, отверстие очистится и можно будет возобновить обычное сверление.

ПРИМЕЧАНИЕ: При работе с инструментом без нагрузки может наблюдаться эксцентричность головки сверла при вращении. Инструмент осуществляет автоматическую центровку в ходе его эксплуатации. Это не влияет на точность сверления.

Сверление дерева или металла

ВНИМАНИЕ: Крепко удерживайте инструмент и будьте осторожны, когда головка сверла начинает проходить сквозь обрабатываемую деталь. В момент выхода головки сверла из детали возникает огромное усилие на инструмент/сверло.


ВНИМАНИЕ: Заклинившая головка сверла может быть без проблем извлечена из обрабатываемой детали путем изменения направления вращения при помощи реверсивного переключателя. Однако если вы не будете крепко держать инструмент, он может резко сдвинуться назад.

ВНИМАНИЕ: Всегда закрепляйте обрабатываемые детали в тисках или аналогичном зажимном устройстве.

ПРИМЕЧАНИЕ: Запрещается использовать режим "вращения с ударным действием", если на инструменте установлен сверлильный патрон. Это может привести к повреждению сверлильного патрона.

Кроме того, при изменении направления вращения сверлильный патрон отсоединится.

ПРИМЕЧАНИЕ: Чрезмерное нажатие на инструмент не ускорит сверление. На самом деле, чрезмерное давление только повредит наконечник головки сверла, снизит производительность инструмента и сократит срок его службы.

Поверните ручку изменения режима работы к символу .

Прикрепите переходник патрона к сверлильному патрону без ключа, на который можно установить винт размером 1/2"-20, затем установите их на инструмент. При его установке обратитесь к разделу "Установка или снятие головки сверла".

- **Рис.25:** 1. Сверлильный патрон в сборе
2. Переходник патрона

Груша для продувки

Дополнительные принадлежности

После сверления отверстия воспользуйтесь грушей для продувки, чтобы удалить пыль из отверстия.

- **Рис.26**

ОБСЛУЖИВАНИЕ

ВНИМАНИЕ: Перед проведением проверки или работ по техобслуживанию всегда проверяйте, что инструмент выключен, а блок аккумуляторов снят.

ПРИМЕЧАНИЕ: Запрещается использовать бензин, растворители, спирт и другие подобные жидкости. Это может привести к обесцвечиванию, деформации и трещинам.

Для обеспечения БЕЗОПАСНОСТИ и НАДЕЖНОСТИ оборудования ремонт, любое другое техобслуживание или регулировку необходимо производить в уполномоченных сервис-центрах Makita или сервис-центрах предприятия с использованием только сменных частей производства Makita.

ДОПОЛНИТЕЛЬНЫЕ ПРИНАДЛЕЖНОСТИ

ВНИМАНИЕ: Данные принадлежности или приспособления рекомендуются для использования с инструментом Makita, указанным в настоящем руководстве. Использование других принадлежностей или приспособлений может привести к получению травмы. Используйте принадлежность или приспособление только по указанному назначению.

Если вам необходимо содействие в получении дополнительной информации по этим принадлежностям, свяжитесь с вашим сервис-центром Makita.

- Головки сверла с твердосплавной пластиной (головки сверла с твердосплавной пластиной SDS-Plus)
- Переходник патрона
- Сверлильный патрон без ключа
- Смазка сверла
- Глубиномер
- Груша для продувки
- Колпак для пыли
- Колпак для пыли в сборе
- Основание ручки в сборе
- Защитные очки
- Крючок
- Оригинальный аккумулятор и зарядное устройство Makita
- Пластмассовый чемодан для переноски

ПРИМЕЧАНИЕ: Некоторые элементы списка могут входить в комплект инструмента в качестве стандартных приспособлений. Они могут отличаться в зависимости от страны.

© KOMFORT



Makita Europe N.V. Jan-Baptist Vinkstraat 2,
3070 Kortenberg, Belgium

Makita Corporation 3-11-8, Sumiyoshi-cho,
Anjo, Aichi 446-8502 Japan

www.makita.com

885597A983 EN, SV, NO, FI, LV, LT, ET, RU 20170915
