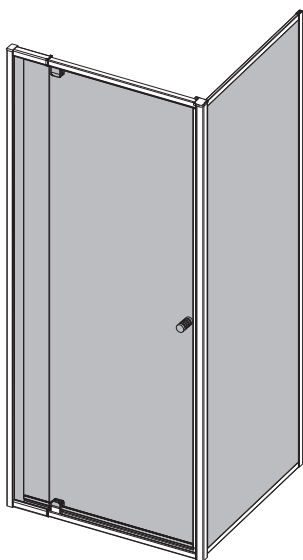
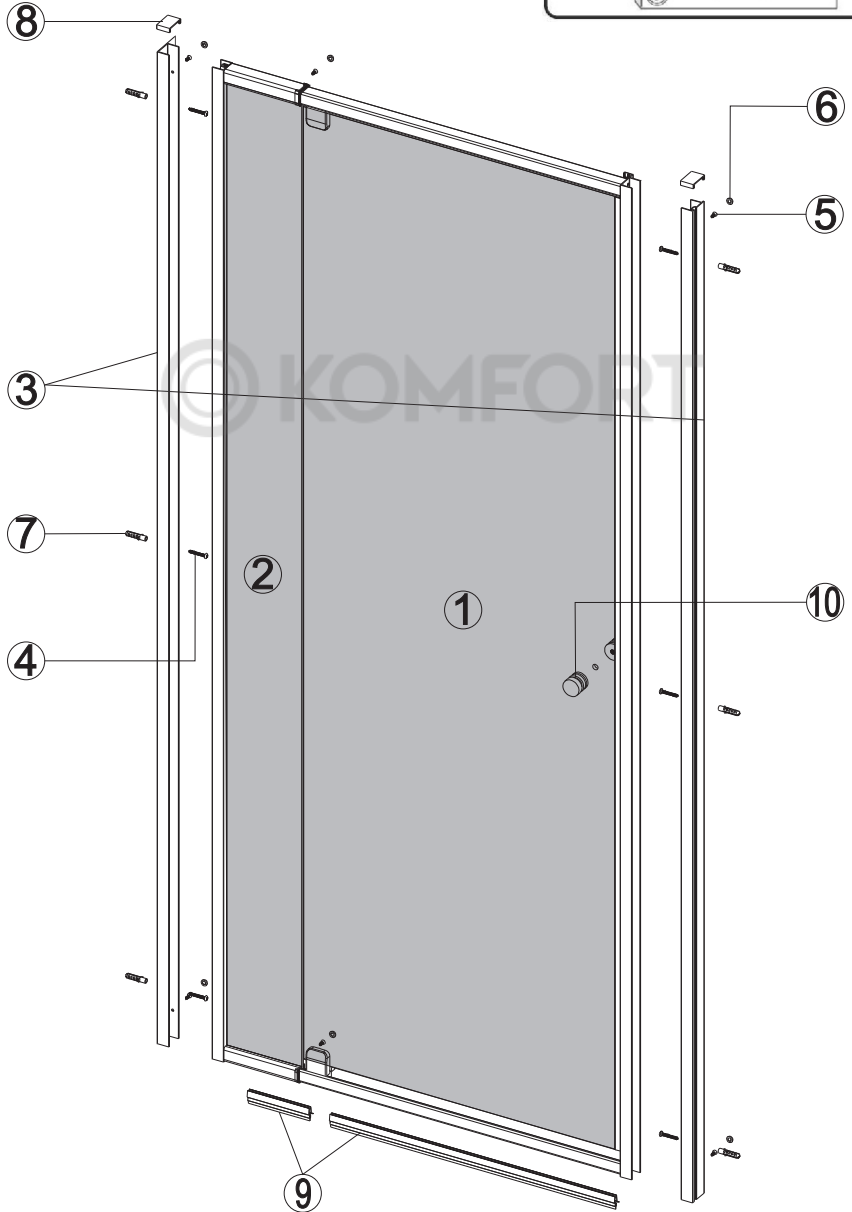
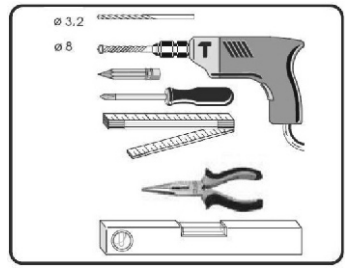
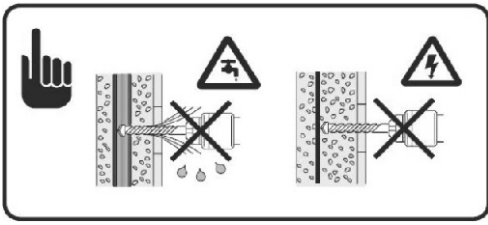
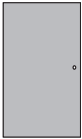
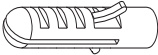

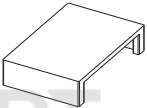
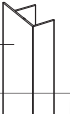
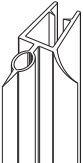
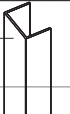
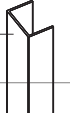






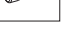



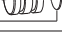
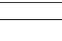


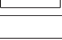

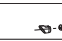






1~7

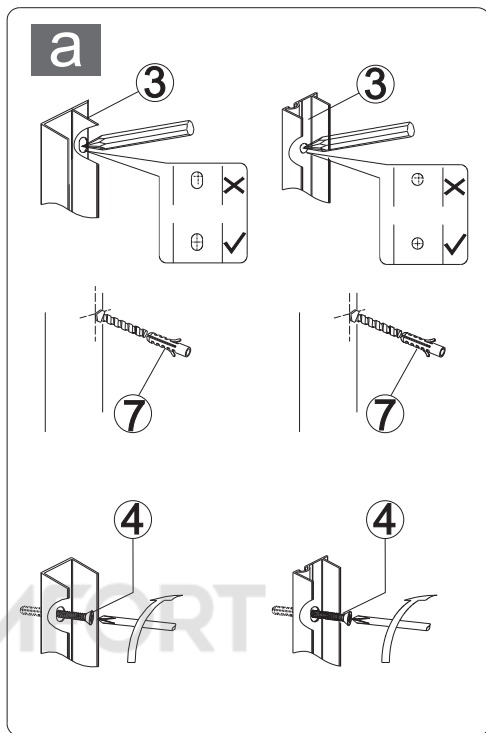
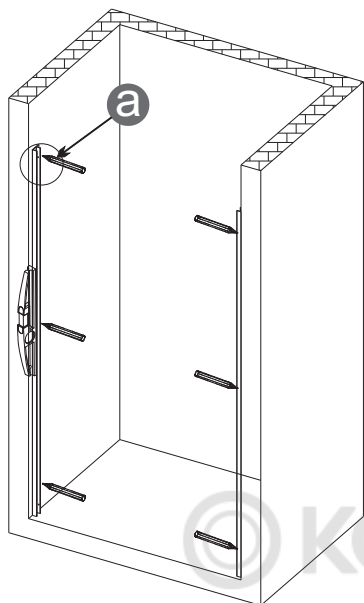


8~13

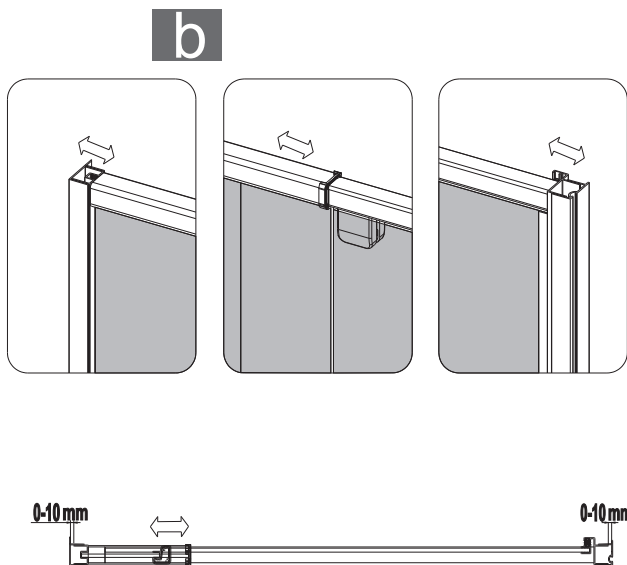
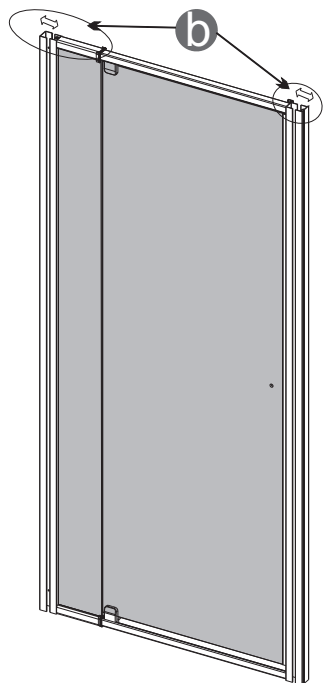


NO.	Designation	Pieces	NO.	Designation	Pieces
1		1	7	 $\phi 8$	7
2		1	8		2
3	E 	1	9		2
	F 	1			
	G 	1			
	H 	1			
4	 ST4X35	7	10	A ₁ 	1
	 ST4X35	7		A ₂ 	2
5	 ST4X12	7 or 9		A ₃ 	4
				A ₄ 	2
6			B ₁ 	2	
			B ₂ 	2	
			B ₃ 	1	
			B ₄ 	1	
			C ₁ 	2	
			C ₂ 	2	
			C ₃ 	1	
			C ₄ 	4	
			C ₅ 	2	
			C ₆ 	1	
			D No handle		
			 $\phi 8$		
			 $\phi 3.2$		

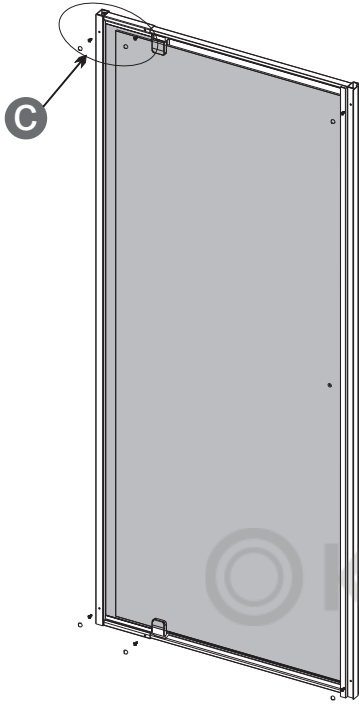
1.



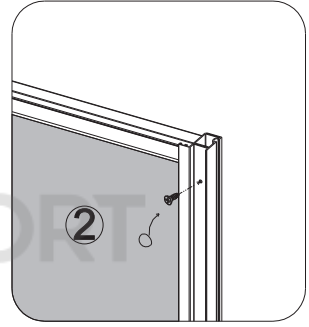
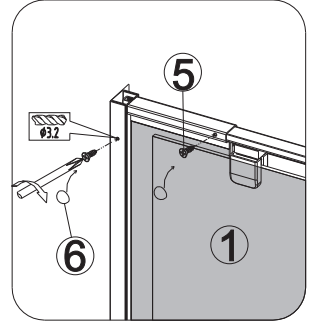
2.



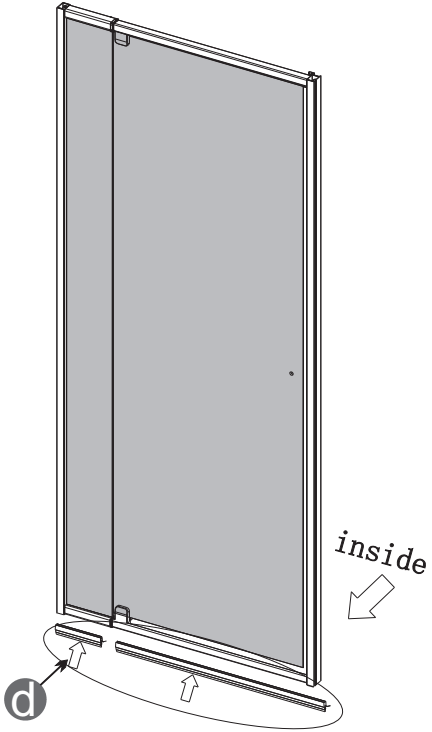
3.



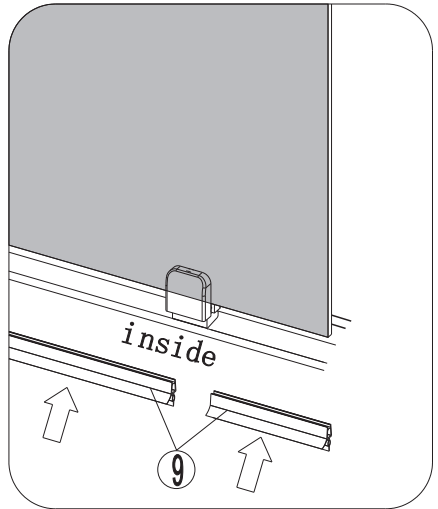
c



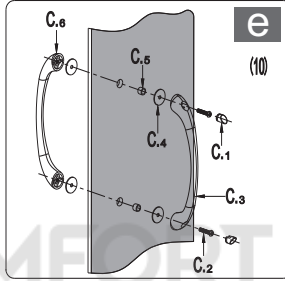
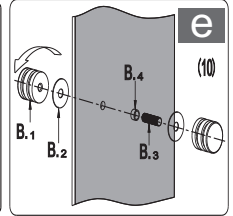
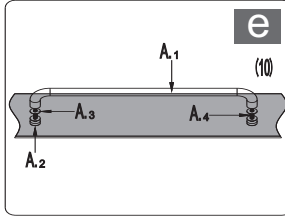
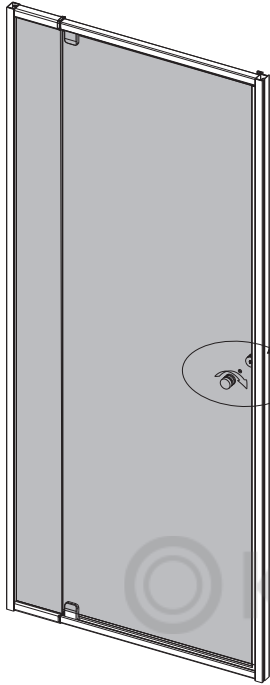
4.



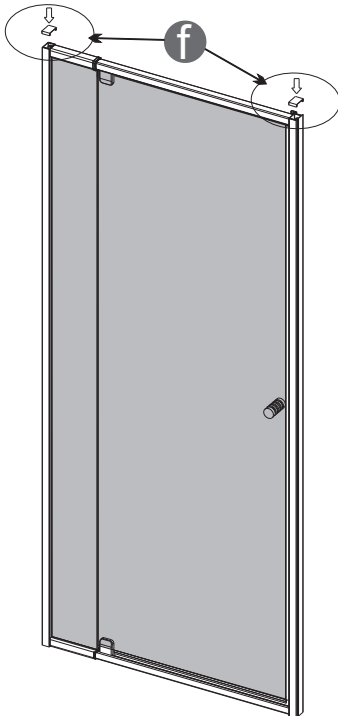
d



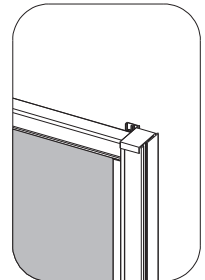
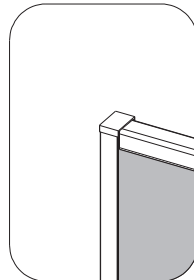
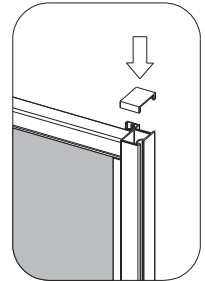
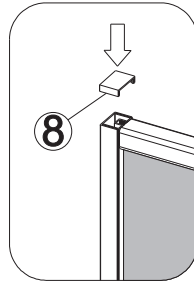
5.



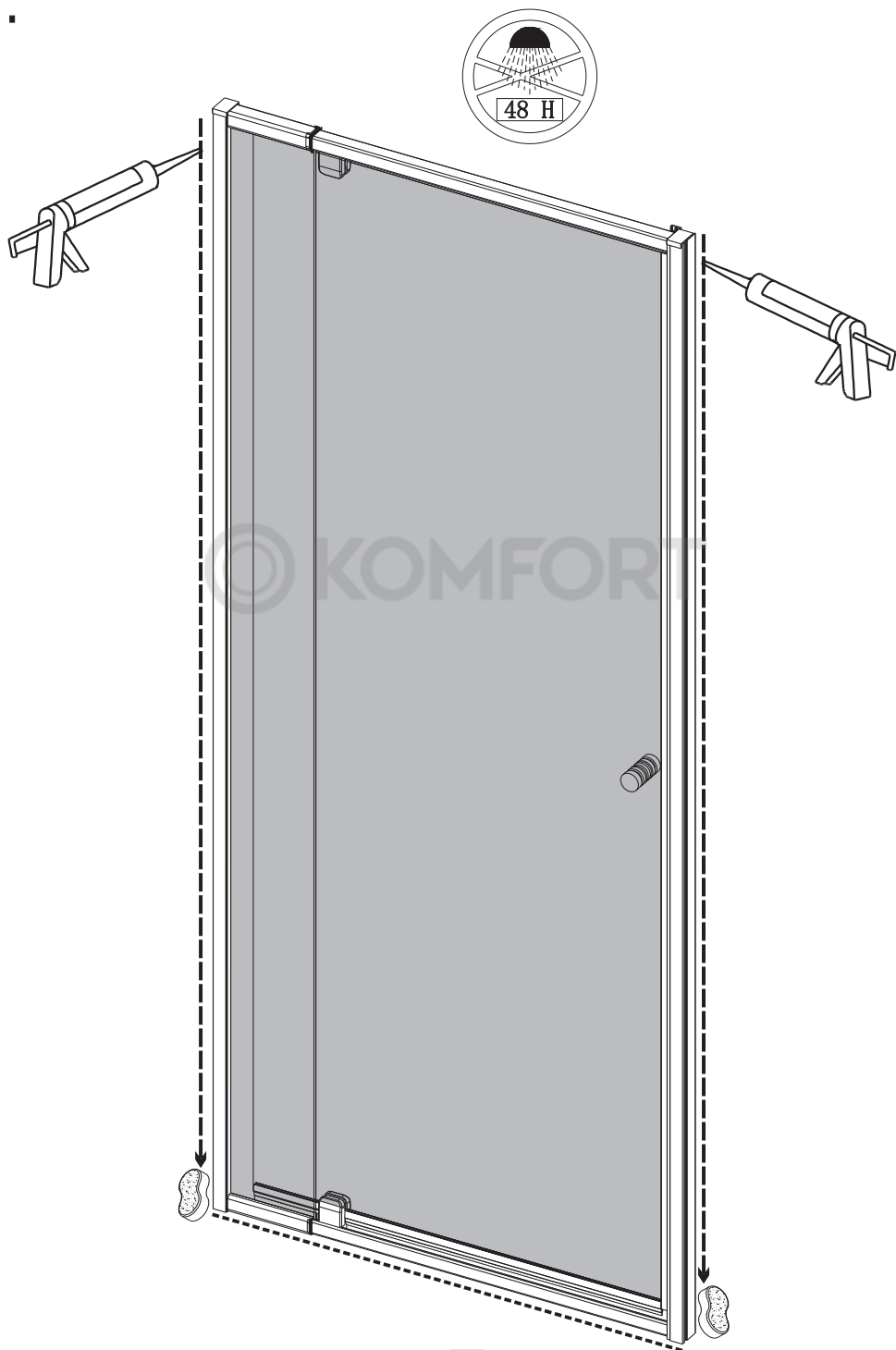
6.

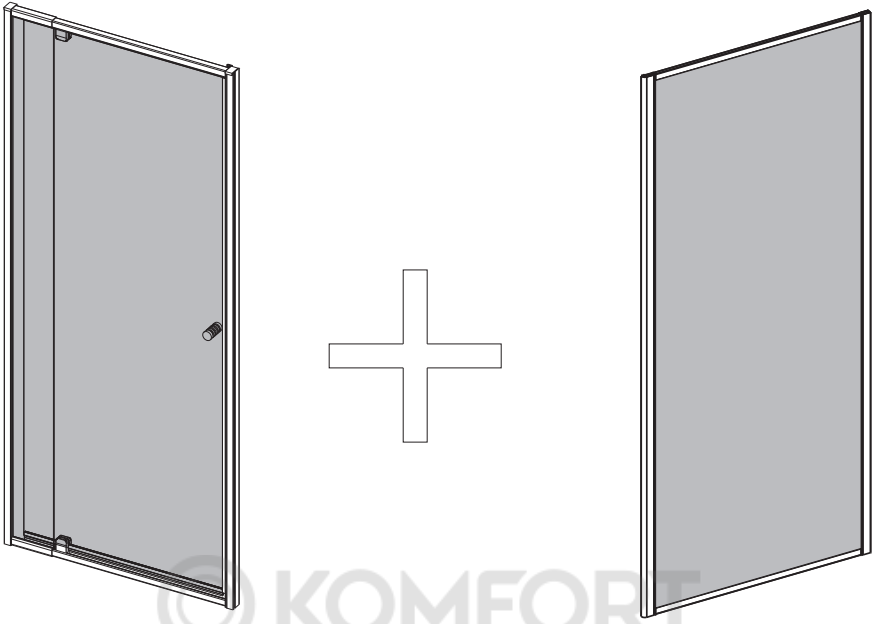


f

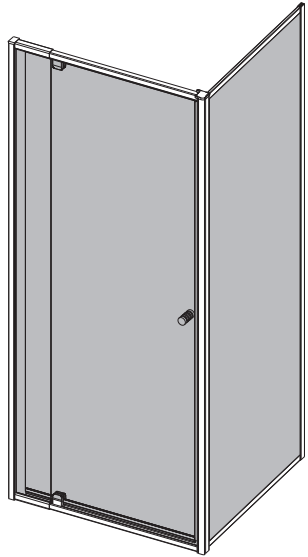


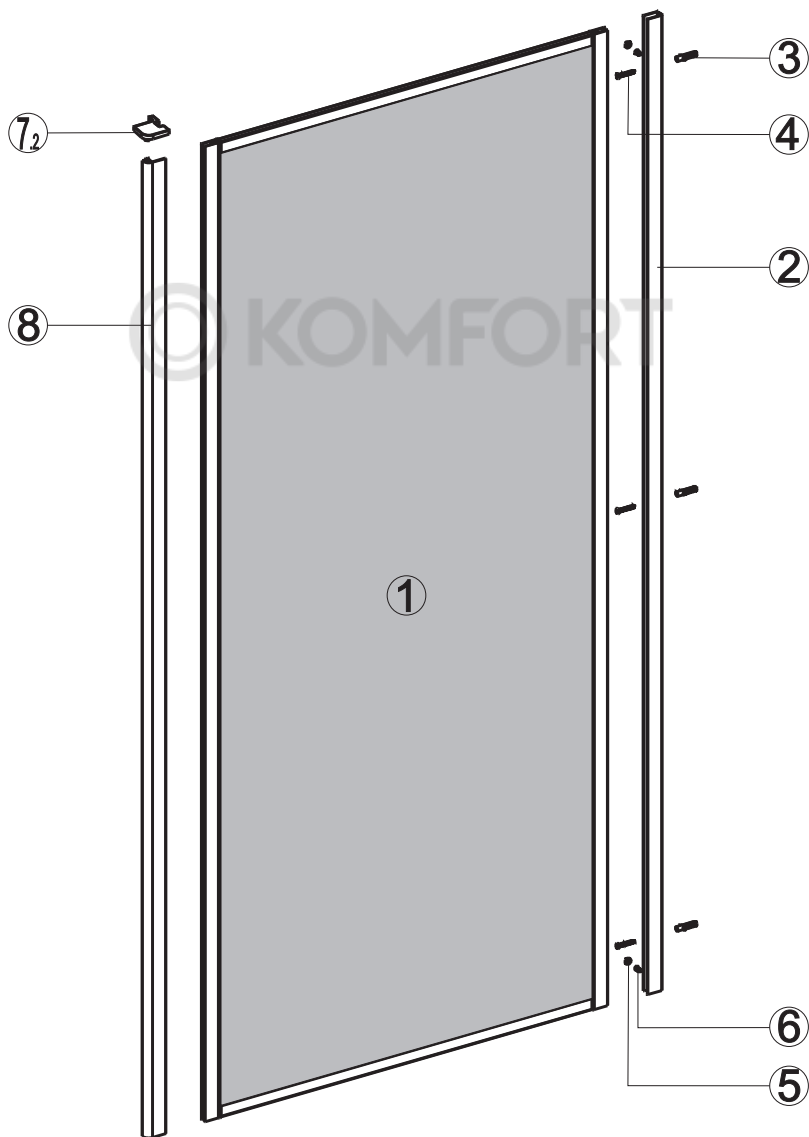
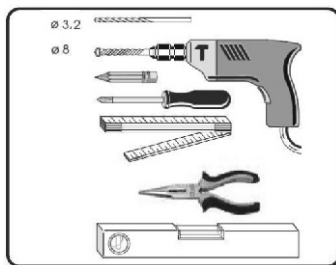
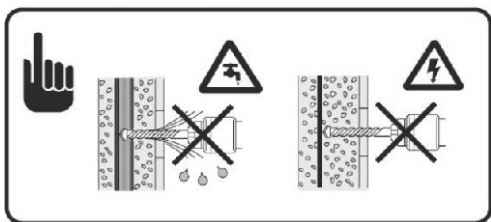
7.

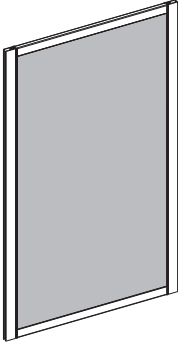
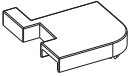
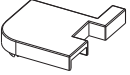
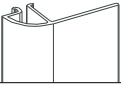
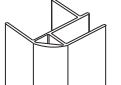

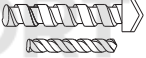

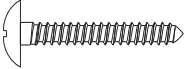


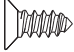





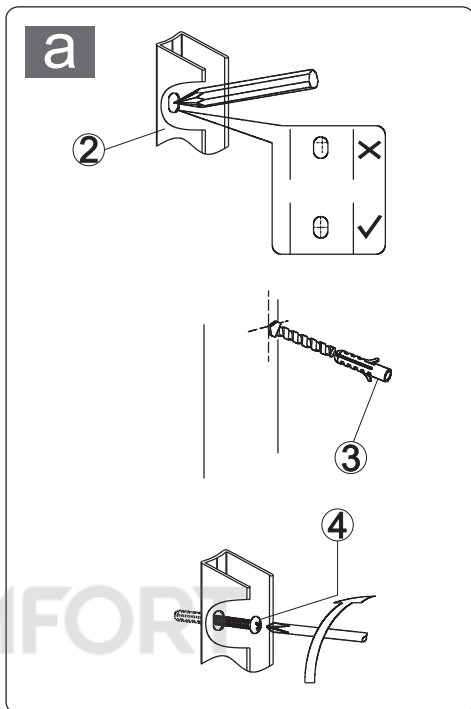
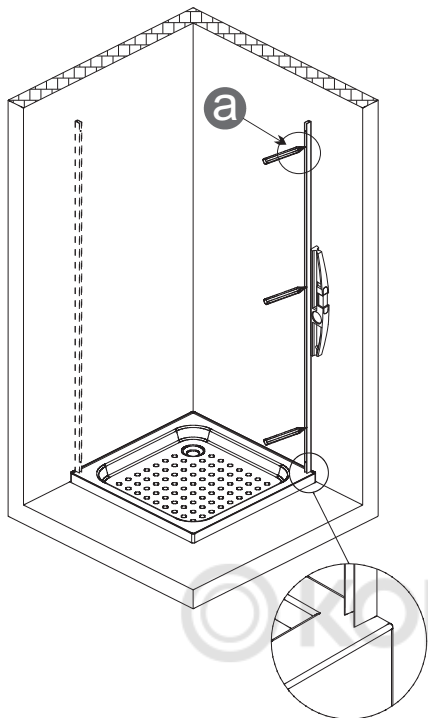
© KOMFORT



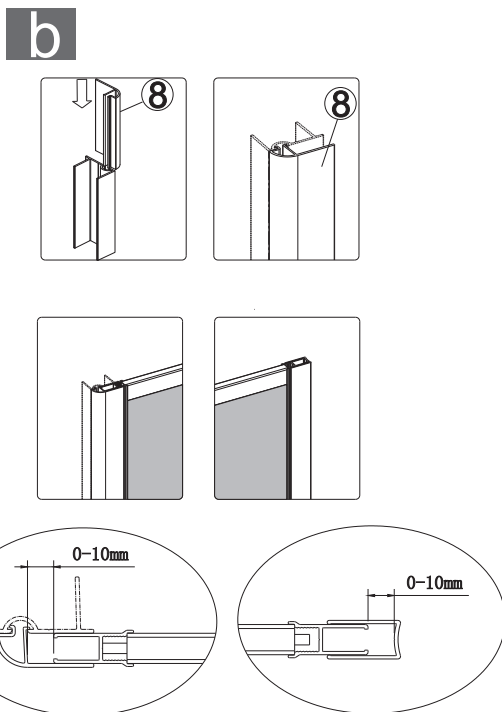
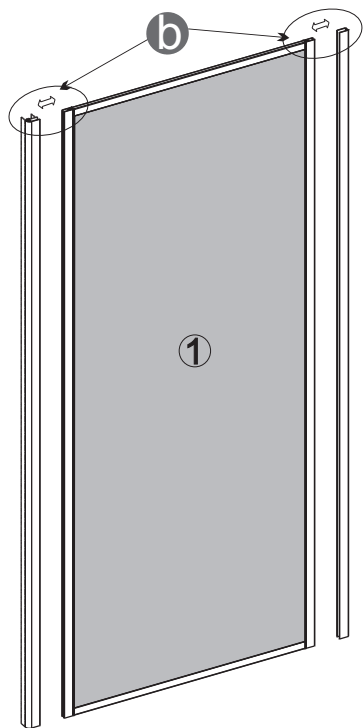


NO.	Designation	Pieces	NO.	Designation	Pieces
1		1	7.1		1
			7.2		1
			8		1
					
2		1			$\phi 8$ $\phi 3.2$
3		$\phi 8$	4		
4			4		ST4X35
5		5			
6			5		ST4X12

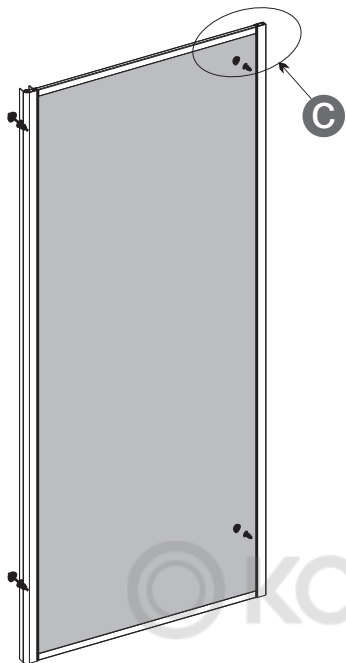
1.



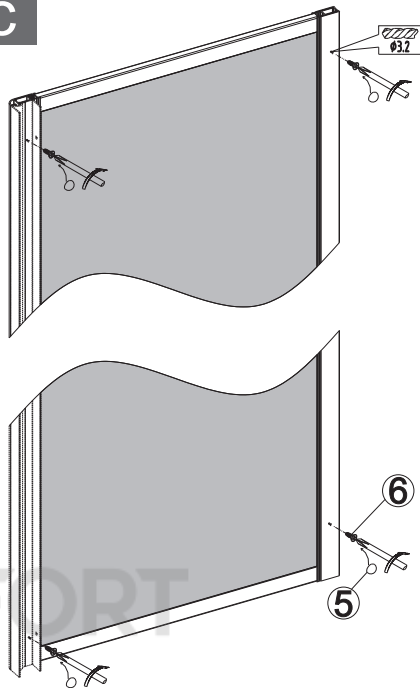
2.



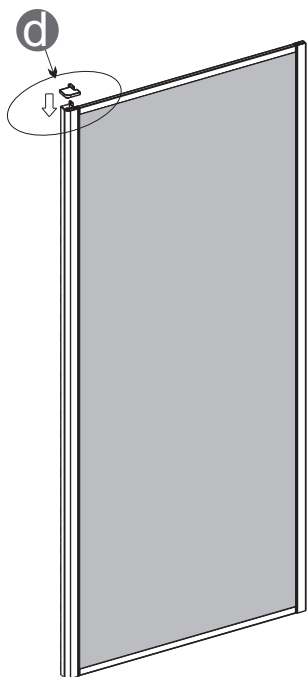
3.



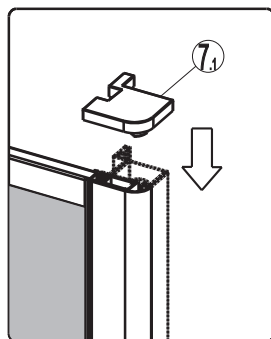
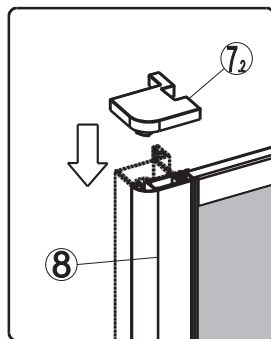
C



4.



d



5.

