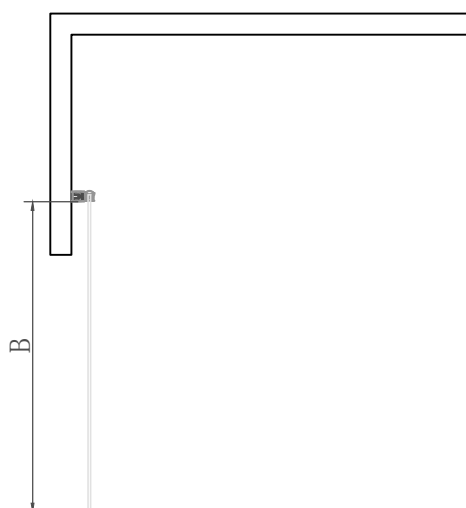
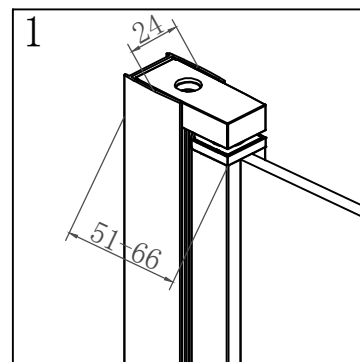
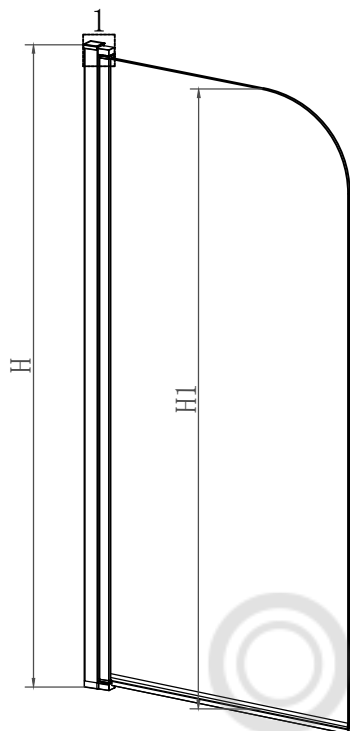


RGW SC-09



| | A | B | H | H1 |
|----------|---------|-----|------|------|
| 600x1500 | 585-600 | 530 | 1500 | 1463 |
| 700x1500 | 685-700 | 630 | 1500 | 1463 |
| 800x1500 | 785-800 | 730 | 1500 | 1463 |