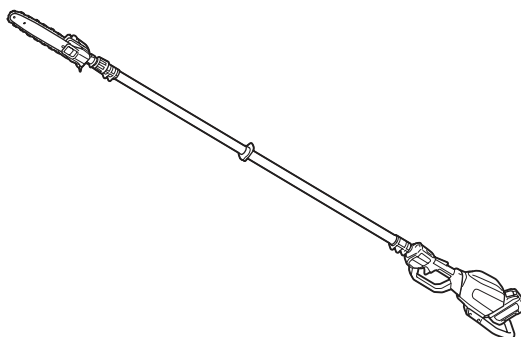
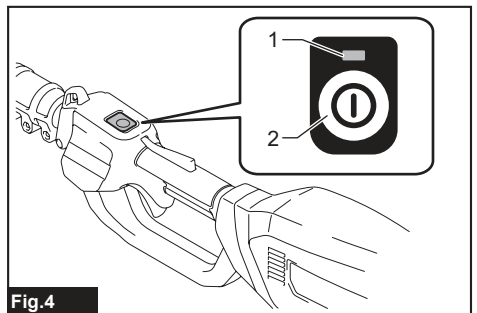
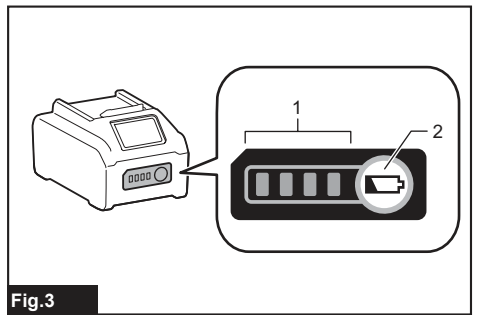
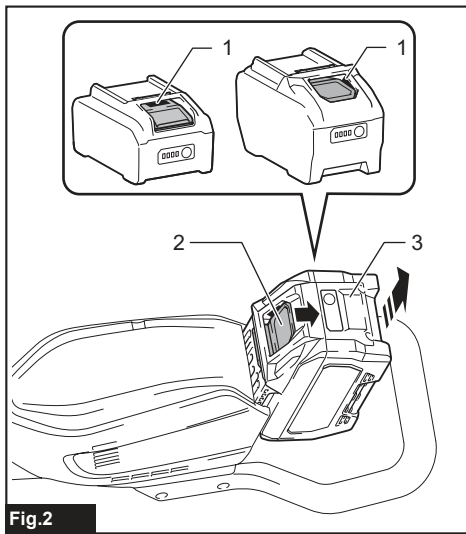
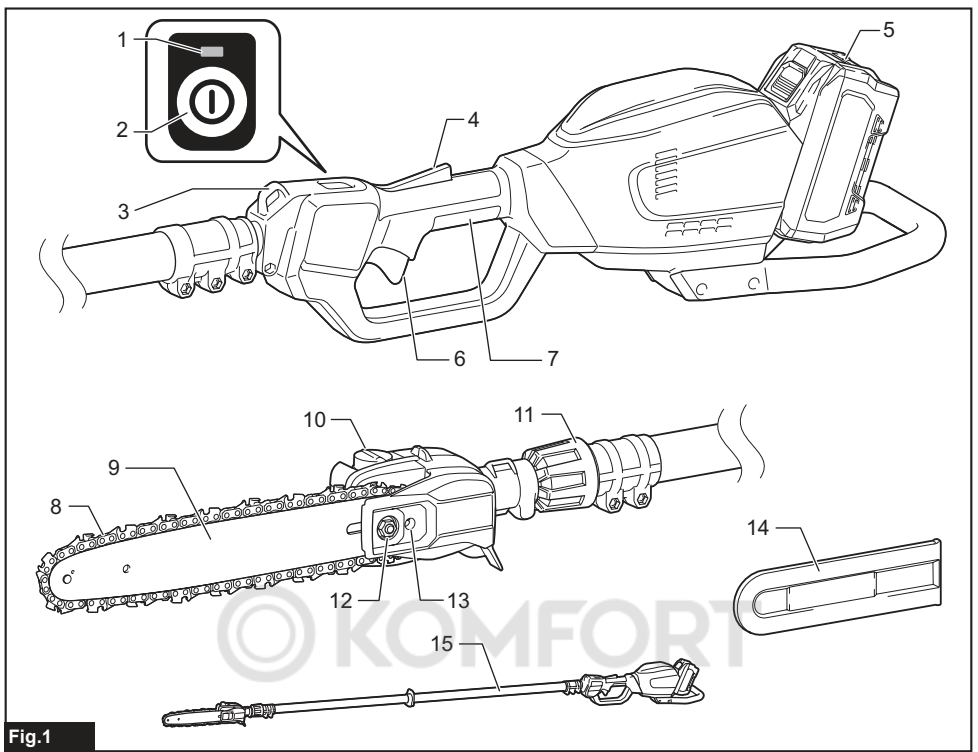


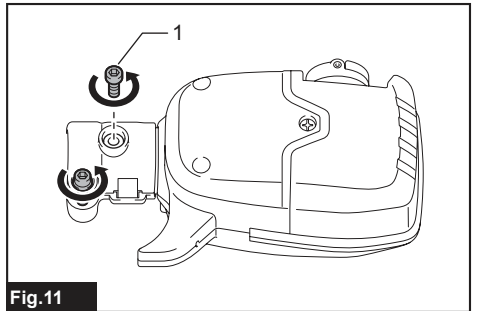
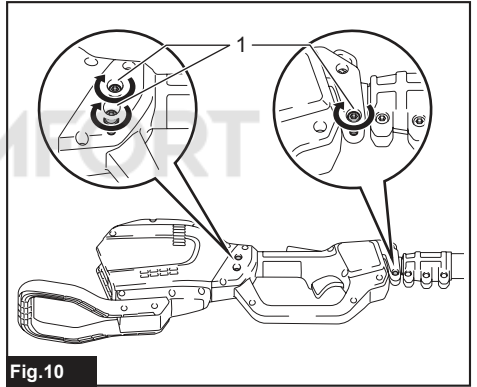
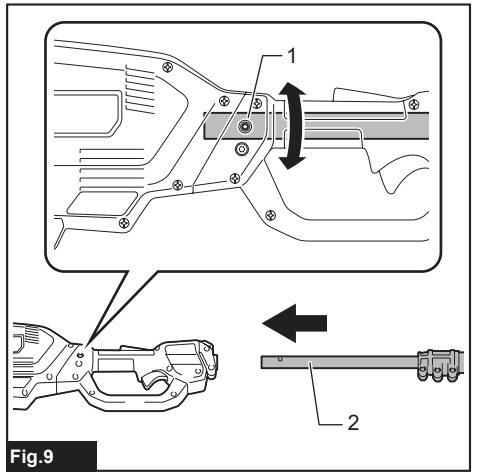
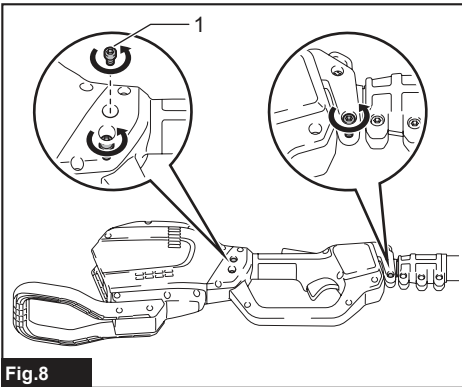
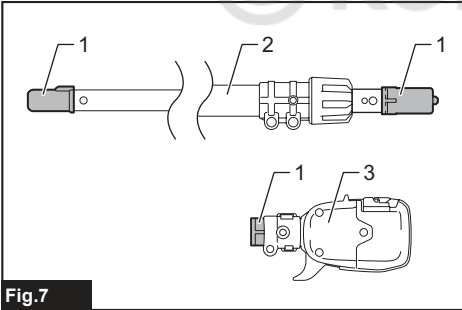
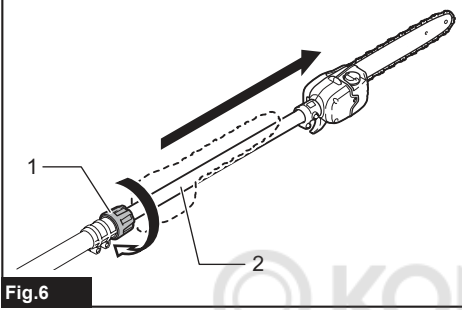
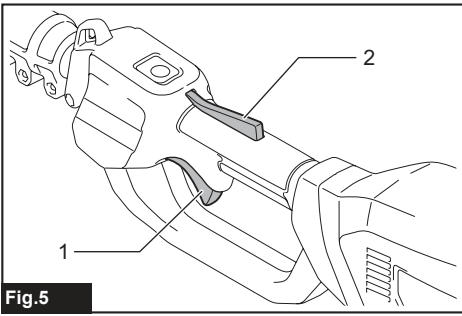


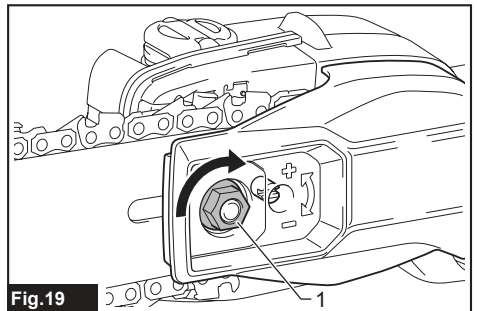
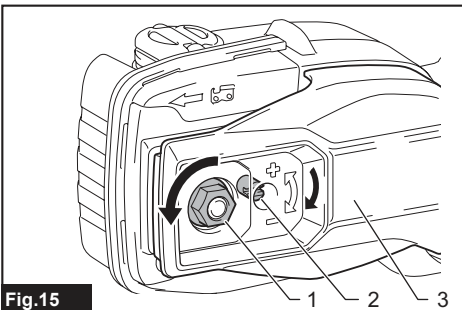
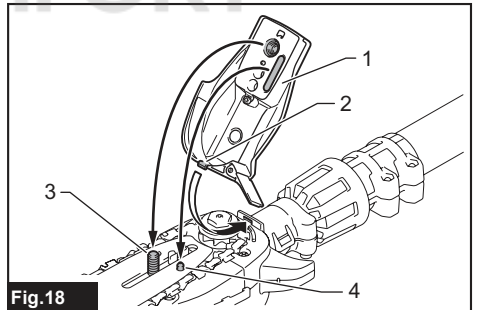
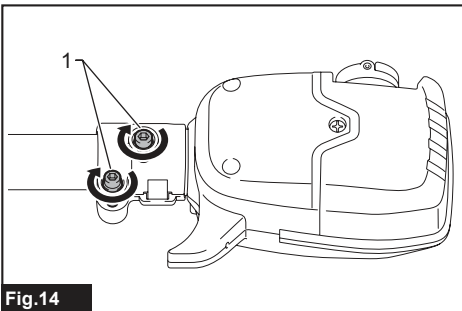
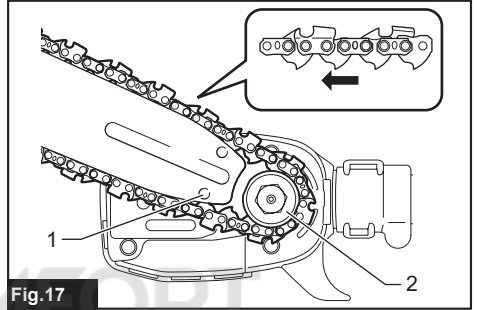
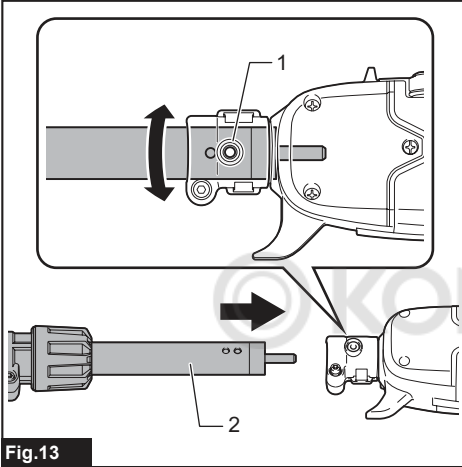
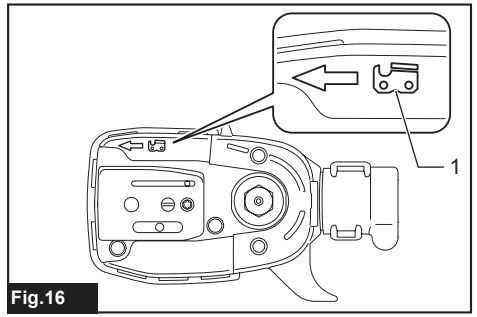
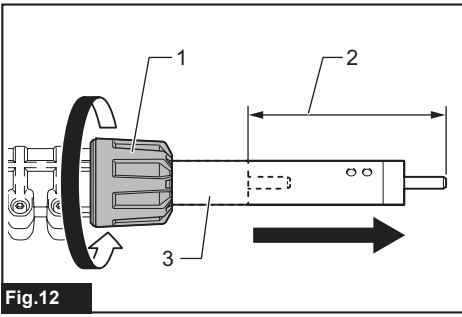
EN	Cordless Telescopic Pole Saw	INSTRUCTION MANUAL	10
SV	Batteridrivnen stamkvistare på teleskopstång	BRUKSANVISNING	23
NO	Batteridrevet teleskopstangsag	BRUKSANVISNING	36
FI	Akkukäyttöinen pidennettävä oksasaha	KÄYTTÖOHJE	49
DA	Akku teleskopisk stangsav	BRUGSANVISNING	62
LV	Bezvada teleskopiskā kāta zāģis	LIETOŠANAS INSTRUKCIJA	75
LT	Akumuliatorinis teleskopinis vamzdinis pjūklas	NAUDOJIMO INSTRUKCIJA	88
ET	Juhtmeta teleskoop-oksasaag	KASUTUSJUHEND	101
RU	Высоторез аккумуляторный телескопический	РУКОВОДСТВО ПО ЭКСПЛУАТАЦИИ	113

UA004G









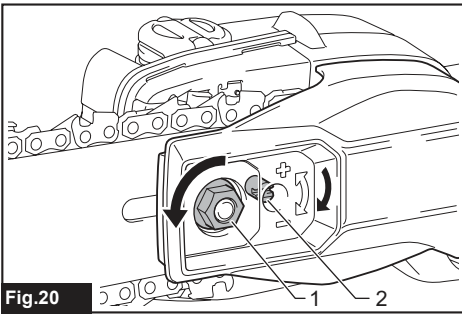


Fig.20

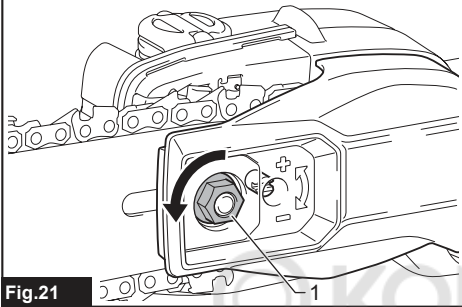


Fig.21

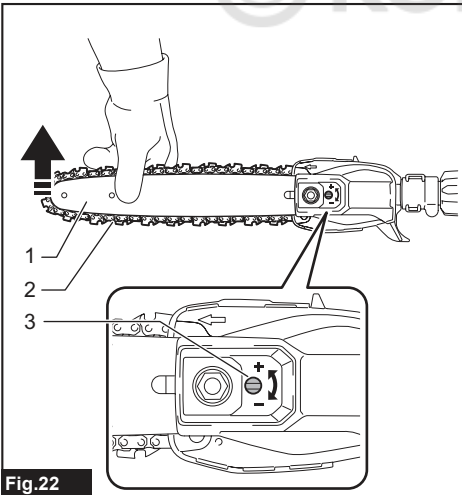


Fig.22

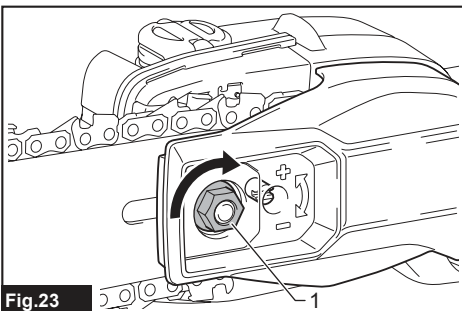


Fig.23

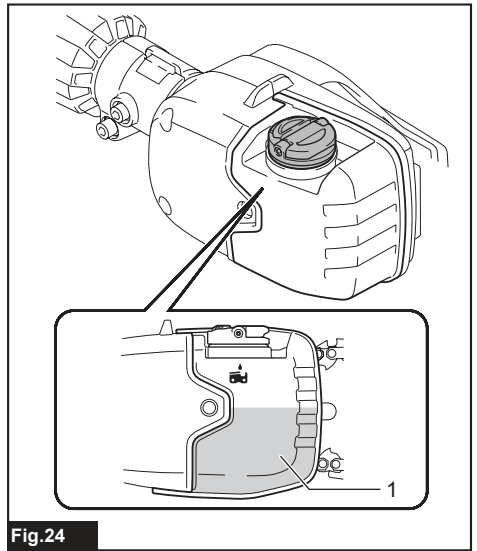


Fig.24

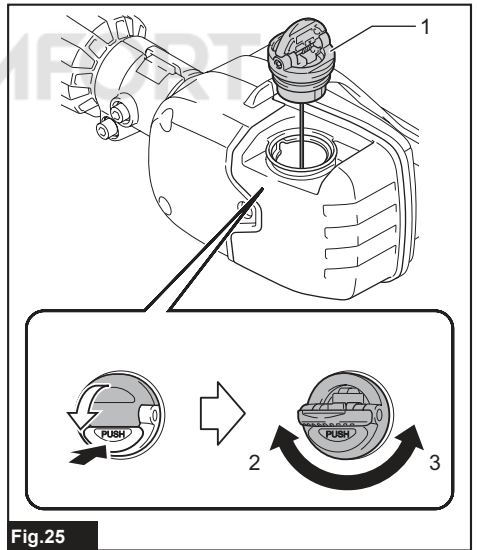


Fig.25

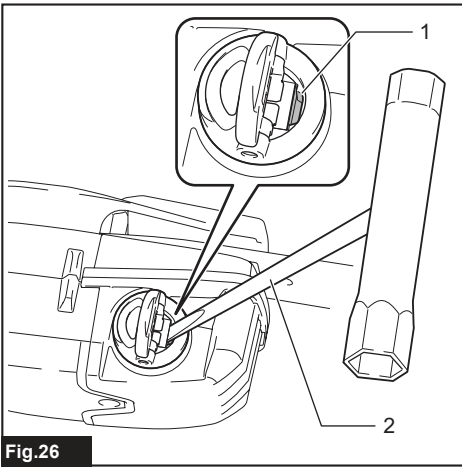


Fig.26

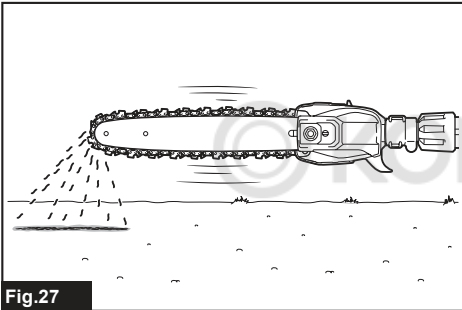


Fig.27

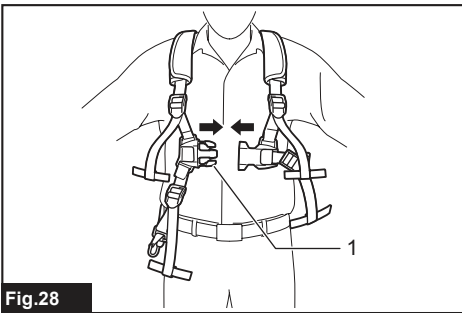


Fig.28

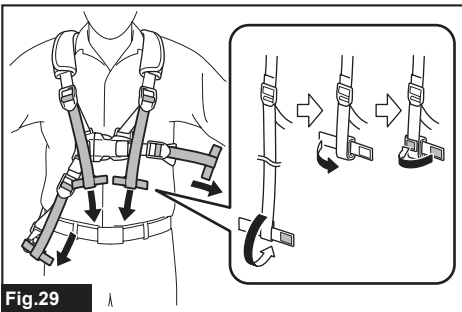


Fig.29

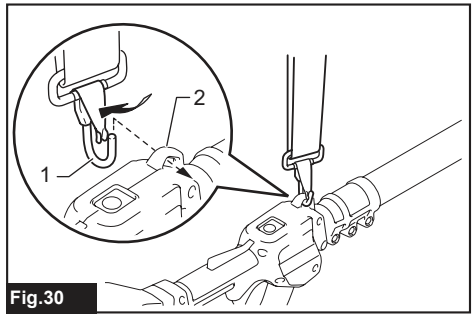


Fig.30

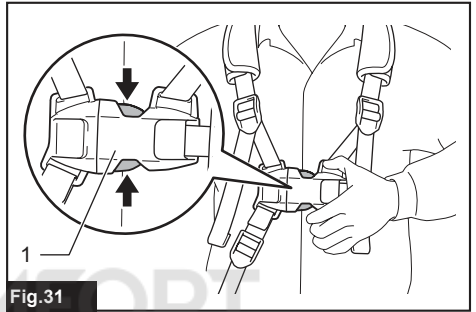


Fig.31

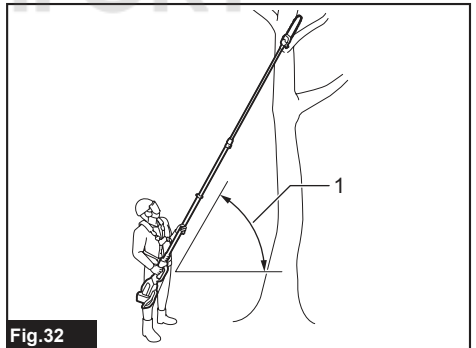


Fig.32

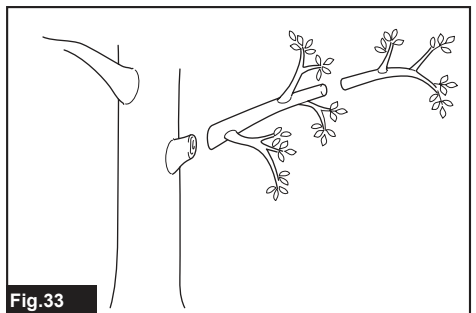


Fig.33

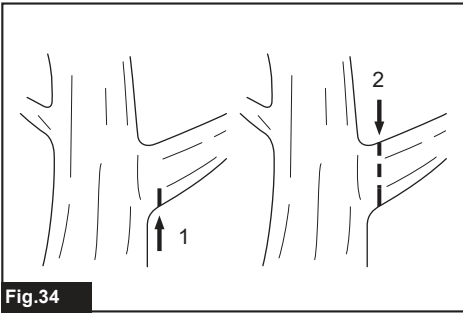


Fig.34

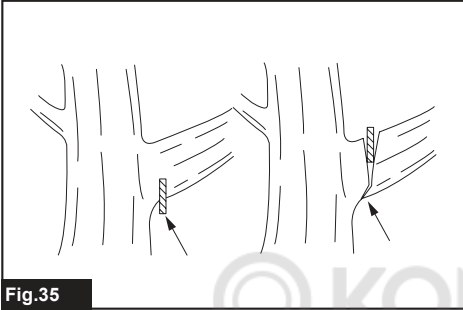


Fig.35

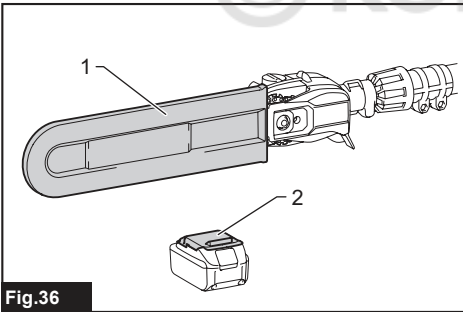


Fig.36

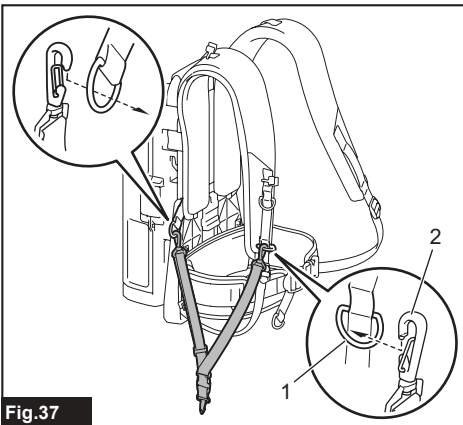


Fig.37

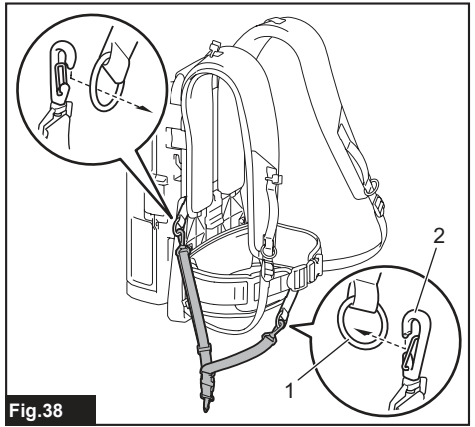


Fig.38

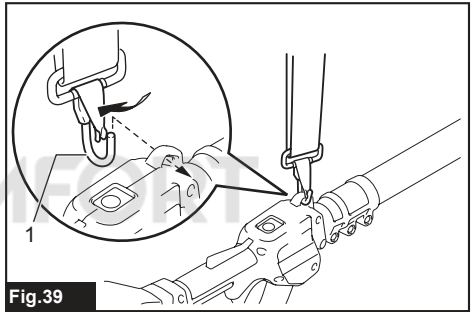


Fig.39

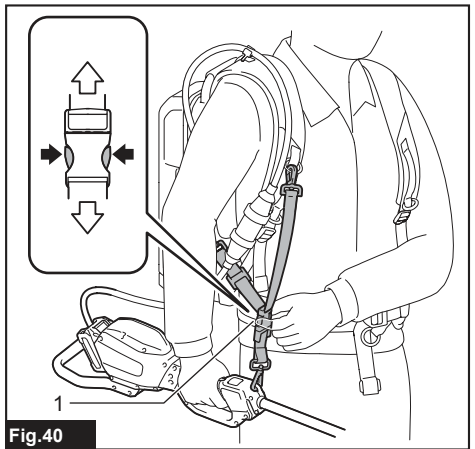


Fig.40

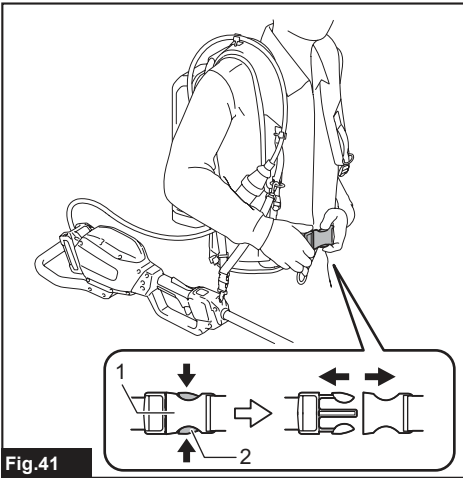


Fig.41

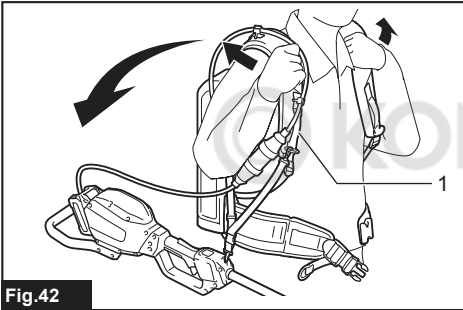


Fig.42

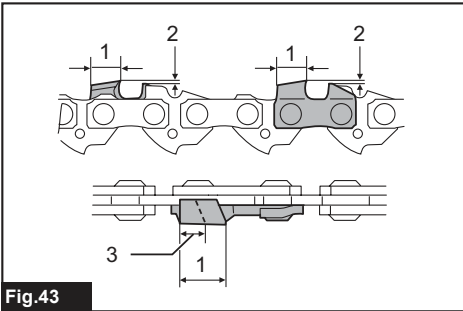


Fig.43

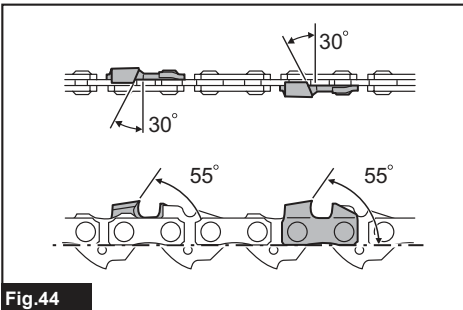


Fig.44

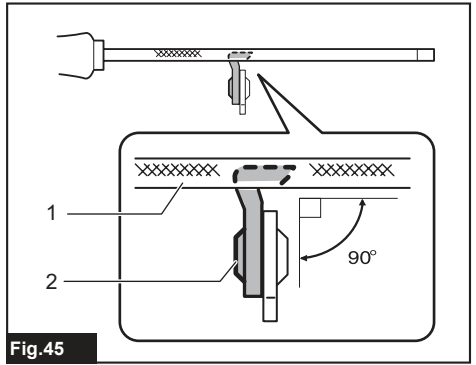


Fig.45

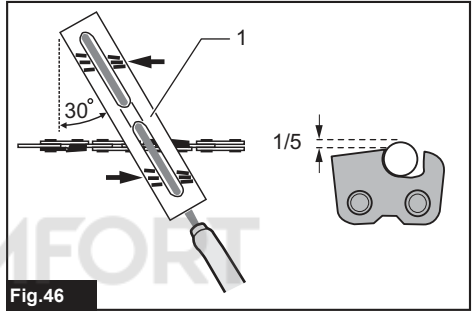


Fig.46

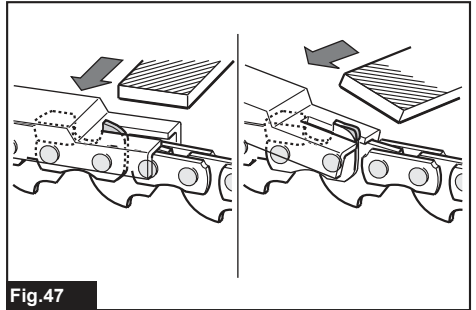


Fig.47

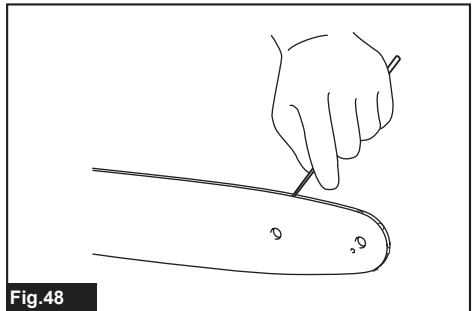


Fig.48

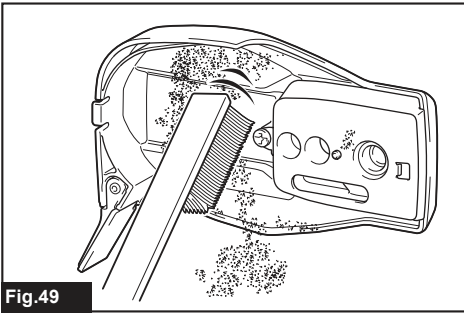


Fig.49

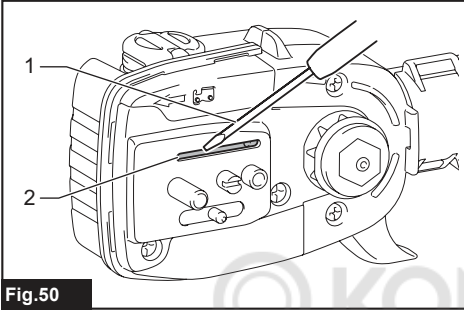


Fig.50

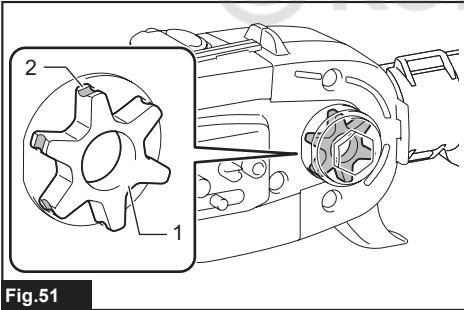


Fig.51

SPECIFICATIONS

Model:		UA004G
Overall length (without guide bar and battery)		2,516 - 3,748 mm
Rated voltage		D.C. 36 V - 40 V max
Net weight	*1	7.8 kg
	*2	7.8 - 9.1 kg
Standard guide bar length		300 mm
Recommended guide bar length	with 90PX	250 - 300 mm
	with 91PX	250 - 300 mm
Applicable saw chain type (refer to the table below)		90PX 91PX
Standard sprocket	Number of teeth	6
	Pitch	3/8"
Chain speed		0 - 20 m/s (0 - 1,200 m/min)
Chain oil tank volume		160 cm ³
Protection degree		IPX4

- Due to our continuing program of research and development, the specifications herein are subject to change without notice.
- Specifications may differ from country to country.

*1: Weight, with largest battery cartridge and empty oil tank, and without guide bar, chain, and shoulder harness, according to EN ISO11680-1.

*2: The lightest and heaviest combination of weight, according to EPTA-Procedure 01/2014. The weight may differ depending on the attachment(s), including the battery cartridge.

Applicable battery cartridge and charger

Battery cartridge	BL4020 / BL4025 / BL4040* / BL4050F* / BL4080F* * : Recommended battery
Charger	DC40RA / DC40RB / DC40RC

- Some of the battery cartridges and chargers listed above may not be available depending on your region of residence.

⚠WARNING: Only use the battery cartridges and chargers listed above. Use of any other battery cartridges and chargers may cause injury and/or fire.

Recommended cord connected power source

Portable power pack	PDC01 / PDC1200
---------------------	-----------------

- The cord connected power source(s) listed above may not be available depending on your region of residence.
- Before using the cord connected power source, read instruction and cautionary markings on them.

Saw chain, guide bar, and sprocket combination





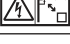


Saw chain type		90PX
Number of drive links		46
Guide bar	Guide bar length	300 mm
	Cutting length	296 mm
	Pitch	3/8"
	Gauge	1.1 mm
	Type	Sprocket nose bar
Sprocket	Number of teeth	6
	Pitch	3/8"

Saw chain type		91PX
Number of drive links		46
Guide bar	Guide bar length	300 mm
	Cutting length	296 mm
	Pitch	3/8"
	Gauge	1.3 mm
	Type	Sprocket nose bar
Sprocket	Number of teeth	6
	Pitch	3/8"

⚠ WARNING: Use appropriate combination of the guide bar and saw chain. Otherwise personal injury may result.

Symbols

The followings show the symbols which may be used for the equipment. Be sure that you understand their meaning before use.

	Read instruction manual.
	Wear a helmet, goggles and ear protection.
	Wear protective gloves.
	Wear sturdy boots with nonslip soles. Steeltoed safety boots are recommended.
	Beware of electrical lines, risk of electrical shock.
	Keep distance at least 15 m.
	Maximum permissible cut length
	Direction of chain travel
	Chain oil tank
	Hot surfaces - Burns to fingers or hands.



Only for EU countries

Due to the presence of hazardous components in the equipment, waste electrical and electronic equipment, accumulators and batteries may have a negative impact on the environment and human health. Do not dispose of electrical and electronic appliances or batteries with household waste!

In accordance with the European Directive on waste electrical and electronic equipment and on accumulators and batteries and waste accumulators and batteries, as well as their adaptation to national law, waste electrical equipment, batteries and accumulators should be stored separately and delivered to a separate collection point for municipal waste, operating in accordance with the regulations on environmental protection.

This is indicated by the symbol of the crossed-out wheeled bin placed on the equipment.



Guaranteed sound power level according to EU Outdoor Noise Directive.



Sound power level according to Australia NSW Noise Control Regulation.

Intended use

The tool is intended for pruning branches and limbs.

Noise

The typical A-weighted noise level determined according to ISO22868(ISO11680-1):

Sound pressure level (L_{pA}): 90 dB (A)

Sound power level (L_{WA}): 105 dB (A)

Uncertainty (K): 3 dB (A)

NOTE: The declared noise emission value(s) has been measured in accordance with a standard test method and may be used for comparing one tool with another.

NOTE: The declared noise emission value(s) may also be used in a preliminary assessment of exposure.

⚠ WARNING: Wear ear protection.

⚠ WARNING: The noise emission during actual use of the power tool can differ from the declared value(s) depending on the ways in which the tool is used especially what kind of workpiece is processed.

⚠ WARNING: Be sure to identify safety measures to protect the operator that are based on an estimation of exposure in the actual conditions of use (taking account of all parts of the operating cycle such as the times when the tool is switched off and when it is running idle in addition to the trigger time).

Vibration

Left handle (Front grip)		Right handle (Rear grip)		Applicable standard
ah (m/s ²)	Uncertainty K (m/s ²)	ah (m/s ²)	Uncertainty K (m/s ²)	
2.5	1.5	3.1	1.5	ISO22867(ISO11680-1)

NOTE: The declared vibration total value(s) has been measured in accordance with a standard test method and may be used for comparing one tool with another.

NOTE: The declared vibration total value(s) may also be used in a preliminary assessment of exposure.

⚠ WARNING: The vibration emission during actual use of the power tool can differ from the declared value(s) depending on the ways in which the tool is used especially what kind of workpiece is processed.

⚠ WARNING: Be sure to identify safety measures to protect the operator that are based on an estimation of exposure in the actual conditions of use (taking account of all parts of the operating cycle such as the times when the tool is switched off and when it is running idle in addition to the trigger time).

EC Declaration of Conformity

For European countries only

The EC declaration of conformity is included as Annex A to this instruction manual.

SAFETY WARNINGS

General power tool safety warnings

⚠ WARNING: Read all safety warnings, instructions, illustrations and specifications provided with this power tool. Failure to follow all instructions listed below may result in electric shock, fire and/or serious injury.

Save all warnings and instructions for future reference.

The term "power tool" in the warnings refers to your mains-operated (corded) power tool or battery-operated (cordless) power tool.

Cordless Telescopic Pole Saw Safety Warnings

General precautions

1. Before starting the tool, read this instruction manual to become familiar with the handling of the tool.
2. Do not lend the tool to a person with insufficient experience or knowledge regarding handling of the tool.
3. When lending the tool, always attach this instruction manual.
4. Do not allow children or young persons under 18 years old to use the tool. Keep them away from the tool.
5. Handle the tool with the utmost care and attention.
6. Never use the tool after consuming alcohol or drugs, or if feeling tired or ill.
7. Never attempt to modify the tool.
8. Do not use the tool in bad weather conditions, especially when there is a risk of lightning. This decreases the risk of being struck by lightning.
9. National regulations may restrict of the use of the tool. Follow the regulations about handling of the tool in your country.

Personal protective equipment

1. Wear safety helmet, protective goggles and protective gloves to protect yourself from flying debris or falling objects.

2. **Wear ear protection such as ear muffs to prevent hearing loss.**
3. **Wear proper clothing and shoes for safe operation, such as a work overall and sturdy, non-slip shoes. Do not wear loose clothing or jewelry.** Loose clothes, jewelry or long hair can be caught in moving parts.
4. **When handling the saw chain or adjusting the chain tension, wear protective gloves.** Saw chain can cut bare hands severely.
4. **Place the tool on firm ground. Maintain good balance and secure footing.**

Operation

Work area safety

1. **Keep the tool at least 15 m away from electric lines and communication cables (including any branches contacting them). Touching or approaching high-voltage lines with the tool can result in death or serious injury. Watch power lines and electrical fences around the work area before starting operation.**
2. **Operate the tool under good visibility and daylight conditions only. Do not operate the tool in darkness or fog.**
3. **During operation, never stand on an unstable or slippery surface or a steep slope. During the cold season, beware of ice and snow and always ensure secure footing.**
4. **During operation, keep bystanders or animals at least 15 m away from the tool. Stop the tool as soon as someone approaches.**
5. **When working with two or more people, keep a distance of at least 15 m or more between each other, and put a supervisor.**
6. **Before operation, examine the work area for wire fences, walls, or other solid objects. They can damage the saw chain.**

Preparation

1. **Before assembling or adjusting the tool, switch off the tool and remove the battery cartridge.**
2. **Before handling the saw chain or adjusting the chain tension, wear protective gloves.**
3. **Before starting the tool, inspect the tool for damages, loose screws/nuts or improper assembly. Sharpen blunt saw chain. If the saw chain is bent or damaged, replace it. Check all control levers and switches for easy action. Clean and dry the grips.**
4. **Never attempt to start the tool if the tool is damaged or not fully assembled. Otherwise serious injury may result.**
5. **Adjust the shoulder harness to suit the operator's body size.**
6. **Adjust the chain tension properly. Refill the chain oil, if necessary.**

Starting the tool

1. **Wear the personal protective equipments before starting the tool.**
2. **Before starting the tool, make sure that there is no person or animal in the work area.**
3. **When installing the battery cartridge, keep the saw chain and guide bar clear of your body and other object, including the ground.** The saw chain may move when starting and may cause serious injury or damage to the saw chain and/or property.

1. **In the event of an emergency, switch off the tool immediately.**
2. **If you notice any unusual condition (e.g. noise, vibration) during operation, switch off the tool. Do not use the tool until the cause is recognized and solved.**
3. **The saw chain continues to move for a short period after switching off the tool. Don't rush to contact the saw chain.**
4. **During operation, use the shoulder harness. Keep the tool on your right side firmly.**
5. **Hold the front grip with your left hand and the rear grip with your right hand, no matter you are right-hander or left-hander. Wrap your fingers and thumbs around the grips.**
6. **Hold the tool by insulated gripping surfaces only, because the saw chain may contact hidden wiring. A saw chain contacting a "live" wire may make exposed metal parts of the extended-reach pruner "live" and could give the operator an electric shock.**
7. **Never attempt to operate the tool with one hand. Loss of control may result in serious or fatal injury. To reduce the risk of injury, keep your hands and feet away from the saw chain.**
8. **Do not overreach. Keep proper footing and balance at all times. Watch for hidden obstacles such as tree stumps, roots and ditches to avoid stumbling. Clear fallen branches and other objects away.**
9. **Never work on a ladder or tree to avoid loss of control.**
10. **If the tool gets heavy impact or fall, check the condition before continuing work. If there is any damage or doubt, ask Makita authorized service center for the inspection and repair.**
11. **Do not touch the head of the tool. The head of the tool becomes hot during operation.**
12. **Take a rest to prevent loss of control caused by fatigue. We recommend to take a 10 to 20-minute rest every hour.**
13. **When you leave the tool, even if it is a short time, always switch off the tool and remove the battery cartridge. The running and unattended tool may be used by unauthorized person and cause serious accident.**
14. **When operating the tool, do not raise your right hand above your shoulder height.**
15. **During operation, never hit the saw chain against hard obstacles such as stones and nails. Take particular care when cutting branches next to walls, wire fences or the like.**
16. **If branches get caught in the tool, always stop the tool and remove the battery cartridge. Otherwise unintentional start may cause serious injury.**
17. **If the saw chain becomes clogged, always switch off the tool and remove the battery cartridge before cleaning.**
18. **Accelerating the tool with the saw chain blocked increases the load and will damage the tool.**

19. Before cutting limbs, keep an escape area away from the falling limb. First, clear obstructs such as limbs and branches from the work area. Move all tools and goods from the escape area to another safe place.
20. Before cutting branches and limbs, check the falling direction of them, considering the condition of branches and limbs, adjoining trees, wind direction, etc. Pay full attention to the falling direction, and the rebound of the branch, which hit the ground.
21. Never hold the tool at an angle of more than 60°. Otherwise falling objects can hit the operator and cause serious injury. Never stand underneath the limb being cut.
22. Pay attention to broken or bent branches. They may bounce back in cutting, causing unexpected injury.
23. Before cutting limbs that you intend to cut, remove branches and leaves around them. Otherwise the saw chain may be caught by them.
24. To prevent the saw chain from being caught in the kerf, do not release the lever before pulling the saw chain out of the kerf.
25. If the saw chain is bound in the kerf, immediately stop the tool, carefully move the branch to open the kerf and release the saw chain.
26. Avoid kickback (rotational reactive force towards the operator). To prevent kickback, never use the guide bar nose or perform a penetrating cut. Always beware of the position of the guide bar nose.
27. Check the chain tension frequently. When checking or adjusting the chain tension, switch off the tool and remove the battery cartridge. If the tension is loose, tighten it.
28. When you use the tool on muddy ground, wet slope, or slippery place, pay attention to your footing.
29. Do not submerge the tool into a puddle.
30. Do not leave the tool unattended outdoors in the rain.

Transport

1. Before transporting the tool, switch off the tool and remove the battery cartridge. Always fit the guide bar cover during transportation.
2. When transporting the tool, carry it in a horizontal position by holding the grip.

Maintenance

1. Have your equipment serviced by our authorized service center, always using only genuine replacement parts. Incorrect repair and poor maintenance can shorten the life of the tool and increase the risk of accidents.
2. Before doing any maintenance or repair work or cleaning the tool, always switch off the tool and remove the battery cartridge. Wait until the tool cools down.
3. Always wear protective gloves when handling the saw chain.
4. After each use, tighten all screws and nuts, except for adjustment screws.

5. Keep the saw chain sharp. If the saw chain has become blunt and cutting performance is poor, ask Makita authorized service center to sharpen it or replace it with new one.
6. Do not attempt any maintenance or repair not described in this instruction manual. Ask Makita authorized service center for such work.
7. Always use Makita genuine spare parts and accessories only. Using parts or accessories supplied by a third party may result in the tool breakdown, property damage and/or serious injury.

Storage

1. Before storing the tool, perform full cleaning and maintenance. Fit the guide bar cover. Remove the battery cartridge. Drain the chain oil after the tool cools down.
2. Store the tool in a dry and high or locked location out of reach of children.
3. Do not prop the tool against something, such as a wall. Otherwise it may fall suddenly and cause an injury.
4. When storing the tool, avoid direct sunlight and rain, and store it in a place where it does not get hot or humid.

Electrical and battery safety

1. Do not dispose of the battery(ies) in a fire. The cell may explode. Check with local codes for possible special disposal instructions.
2. Do not open or mutilate the battery(ies). Released electrolyte is corrosive and may cause damage to the eyes or skin. It may be toxic if swallowed.
3. Do not charge battery in rain, or in wet locations.
4. Do not charge the battery outdoors.
5. Do not handle charger, including charger plug, and charger terminals with wet hands.
6. Avoid dangerous environment. Don't use the tool in dump or wet locations or expose it to rain. Water entering the tool will increase the risk of electric shock.
7. Do not replace the battery in the rain.

SAVE THESE INSTRUCTIONS.

⚠WARNING: DO NOT let comfort or familiarity with product (gained from repeated use) replace strict adherence to safety rules for the subject product. MISUSE or failure to follow the safety rules stated in this instruction manual may cause serious personal injury.

Important safety instructions for battery cartridge

1. Before using battery cartridge, read all instructions and cautionary markings on (1) battery charger, (2) battery, and (3) product using battery.
2. Do not disassemble or tamper with the battery cartridge. It may result in a fire, excessive heat, or explosion.

3. If operating time has become excessively shorter, stop operating immediately. It may result in a risk of overheating, possible burns and even an explosion.
4. If electrolyte gets into your eyes, rinse them out with clear water and seek medical attention right away. It may result in loss of your eyesight.
5. Do not short the battery cartridge:
 - (1) Do not touch the terminals with any conductive material.
 - (2) Avoid storing battery cartridge in a container with other metal objects such as nails, coins, etc.
 - (3) Do not expose battery cartridge to water or rain.

A battery short can cause a large current flow, overheating, possible burns and even a breakdown.
6. Do not store and use the tool and battery cartridge in locations where the temperature may reach or exceed 50 °C (122 °F).
7. Do not incinerate the battery cartridge even if it is severely damaged or is completely worn out. The battery cartridge can explode in a fire.
8. Do not nail, cut, crush, throw, drop the battery cartridge, or hit against a hard object to the battery cartridge. Such conduct may result in a fire, excessive heat, or explosion.
9. Do not use a damaged battery.
10. The contained lithium-ion batteries are subject to the Dangerous Goods Legislation requirements. For commercial transports e.g. by third parties, forwarding agents, special requirement on packaging and labeling must be observed. For preparation of the item being shipped, consulting an expert for hazardous material is required. Please also observe possibly more detailed national regulations. Tape or mask off open contacts and pack up the battery in such a manner that it cannot move around in the packaging.
11. When disposing the battery cartridge, remove it from the tool and dispose of it in a safe place. Follow your local regulations relating to disposal of battery.
12. Use the batteries only with the products specified by Makita. Installing the batteries to non-compliant products may result in a fire, excessive heat, explosion, or leak of electrolyte.
13. If the tool is not used for a long period of time, the battery must be removed from the tool.
14. During and after use, the battery cartridge may take on heat which can cause burns or low temperature burns. Pay attention to the handling of hot battery cartridges.
15. Do not touch the terminal of the tool immediately after use as it may get hot enough to cause burns.
16. Do not allow chips, dust, or soil stuck into the terminals, holes, and grooves of the battery cartridge. It may cause heating, catching fire, burst and malfunction of the tool or battery cartridge, resulting in burns or personal injury.
17. Unless the tool supports the use near high-voltage electrical power lines, do not use the battery cartridge near a high-voltage electrical power lines. It may result in a malfunction or breakdown of the tool or battery cartridge.
18. Keep the battery away from children.

SAVE THESE INSTRUCTIONS.

⚠ CAUTION: Only use genuine Makita batteries. Use of non-genuine Makita batteries, or batteries that have been altered, may result in the battery bursting causing fires, personal injury and damage. It will also void the Makita warranty for the Makita tool and charger.

Tips for maintaining maximum battery life

1. Charge the battery cartridge before completely discharged. Always stop tool operation and charge the battery cartridge when you notice less tool power.
2. Never recharge a fully charged battery cartridge. Overcharging shortens the battery service life.
3. Charge the battery cartridge with room temperature at 10 °C - 40 °C (50 °F - 104 °F). Let a hot battery cartridge cool down before charging it.
4. When not using the battery cartridge, remove it from the tool or the charger.
5. Charge the battery cartridge if you do not use it for a long period (more than six months).

PARTS DESCRIPTION

► Fig.1

1	Main power lamp	2	Main power switch	3	Hanger
4	Lock-off lever	5	Battery cartridge	6	Switch trigger
7	Rear grip	8	Saw chain	9	Guide bar
10	Oil tank cap	11	Lock ring	12	Retaining nut
13	Chain adjusting screw	14	Guide bar cover	15	Front grip

FUNCTIONAL DESCRIPTION

CAUTION: Always be sure that the tool is switched off and the battery cartridge is removed before adjusting or checking function on the tool.

Installing or removing battery cartridge

CAUTION: Always switch off the tool before installing or removing of the battery cartridge.

CAUTION: Hold the tool and the battery cartridge firmly when installing or removing battery cartridge. Failure to hold the tool and the battery cartridge firmly may cause them to slip off your hands and result in damage to the tool and battery cartridge and a personal injury.

► **Fig.2:** 1. Red indicator 2. Button 3. Battery cartridge

To remove the battery cartridge, slide it from the tool while sliding the button on the front of the cartridge.

To install the battery cartridge, align the tongue on the battery cartridge with the groove in the housing and slip it into place. Insert it all the way until it locks in place with a little click. If you can see the red indicator as shown in the figure, it is not locked completely.

CAUTION: Always install the battery cartridge fully until the red indicator cannot be seen. If not, it may accidentally fall out of the tool, causing injury to you or someone around you.

CAUTION: Do not install the battery cartridge forcibly. If the cartridge does not slide in easily, it is not being inserted correctly.

Indicating the remaining battery capacity

Press the check button on the battery cartridge to indicate the remaining battery capacity. The indicator lamps light up for a few seconds.

► **Fig.3:** 1. Indicator lamps 2. Check button

Indicator lamps			Remaining capacity
Lighted	Off	Blinking	
■	□	◐	75% to 100%
■ ■ ■ ■			
■ ■ ■	□		50% to 75%
■ ■	□ □		25% to 50%
■	□ □ □		0% to 25%
◐	□ □ □		Charge the battery.
■ ■ □ □	↑ ↓	□ □ ■ ■	The battery may have malfunctioned.

NOTE: Depending on the conditions of use and the ambient temperature, the indication may differ slightly from the actual capacity.

NOTE: The first (far left) indicator lamp will blink when the battery protection system works.

Tool / battery protection system

The tool is equipped with a tool/battery protection system. This system automatically cuts off power to the motor to extend tool and battery life. The tool will automatically stop during operation if the tool or battery is placed under one of the following conditions:

Overload protection

When the battery is operated in a manner that causes it to draw an abnormally high current, the tool automatically stops and the main power lamp blinks in green. In this situation, turn the tool off and stop the application that caused the tool to become overloaded. Then turn the tool on to restart.

Overheat protection

When the tool or battery is overheated, the tool stops automatically and the main power lamp lights up in red. In this case, let the tool and battery cool before turning the tool on again.

NOTE: In high temperature environment, the overheat protection likely to work and the tool stops automatically.

Overdischarge protection

When the battery capacity is not enough, the tool stops automatically and the main power lamp blinks in red. In this case, remove the battery from the tool and charge the battery.

Protections against other causes

Protection system is also designed for other causes that could damage the tool and allows the tool to stop automatically. Take all the following steps to clear the causes, when the tool has been brought to a temporary halt or stop in operation.

1. Turn the tool off, and then turn it on again to restart.
2. Charge the battery(ies) or replace it/them with recharged battery(ies).
3. Let the machine and battery(ies) cool down.

If no improvement can be found by restoring protection system, then contact your local Makita Service Center.

Main power switch

⚠ WARNING: Always turn off the main power switch when not in use.

To turn on the tool, press the main power switch. To turn off, press the main power switch again.

► **Fig.4:** 1. Main power lamp 2. Main power switch

NOTE: The main power lamp blinks in green when you turn on the main power switch while holding down the lock-off lever and pulling the switch trigger. In this case, release the switch trigger and the lock-off lever, and then turn on the main power switch.

NOTE: This tool employs the auto power-off function. To avoid unintentional start up, the main power switch will automatically shut down when the switch trigger is not pulled for a certain period after the main power switch is turned on.

Switch action

⚠ WARNING: For your safety, this tool is equipped with lock-off lever which prevents the tool from unintended starting. NEVER use the tool if it runs when you simply pull the switch trigger without pressing the lock-off lever. Return the tool to our authorized service center for proper repairs BEFORE further usage.

⚠ WARNING: NEVER tape down or defeat purpose and function of lock-off lever.

⚠ CAUTION: Before installing the battery cartridge into the tool, always check to see that the switch trigger actuates properly and returns to the "OFF" position when released.

NOTICE: Do not pull the switch trigger hard without pressing the lock-off lever. This can cause switch breakage.

To prevent the switch trigger from being accidentally pulled, a lock-off lever is provided. To start the tool, depress the lock-off lever and pull the switch trigger. The tool speed increases by increasing pressure on the switch trigger. Release the switch trigger to stop.

► **Fig.5:** 1. Switch trigger 2. Lock-off lever

Adjusting the pipe length

To extend or shorten the pipe, loosen the lock ring by turning the lock ring counterclockwise, then adjust the length of the pipe, and then tighten the ring by turning the lock ring clockwise.

► **Fig.6:** 1. Lock ring 2. Pipe

ASSEMBLY

⚠ CAUTION: Always be sure that the tool is switched off and the battery cartridge is removed before carrying out any work on the tool.

⚠ CAUTION: Do not touch the saw chain with bare hands. Always wear gloves when handling the saw chain.

Assembling the tool

1. Remove 2 caps from the pipe, and 1 cap from the head of the tool.

► **Fig.7:** 1. Cap 2. Pipe 3. Head of tool

2. Loosen 3 bolts, and then remove 1 bolt using the hex wrench.

► **Fig.8:** 1. Bolt

3. Insert the pipe into the tool body all the way, and then align the hole on the pipe with the hole on the tool body.

► **Fig.9:** 1. Hole 2. Pipe

4. Tighten 3 bolts using the hex wrench.

► **Fig.10:** 1. Bolt

5. Loosen 2 bolts, and then remove 1 bolt.

► **Fig.11:** 1. Bolt

6. Loosen the lock ring by turning the lock ring counterclockwise, then extend the pipe approximately 10 cm or more, and then tighten the lock ring by turning the lock ring clockwise.

► **Fig.12:** 1. Lock ring 2. 10 cm or more 3. Pipe

7. Insert the pipe into the head of the tool all the way, and then align the hole on the pipe with the hole on the head of the tool.

► **Fig.13:** 1. Hole 2. Pipe

8. Tighten 2 bolts using the hex wrench.

► **Fig.14:** 1. Bolt

Installing or removing saw chain

⚠ CAUTION: The saw chain and the guide bar are still hot just after the operation. Let them cool down enough before carrying out any work on the tool.

⚠ CAUTION: Carry out the procedure of installing or removing saw chain in a clean place free from sawdust and the like.

Installing the saw chain

To install the saw chain, perform the following steps:

1. Loosen the chain adjusting screw, then the retaining nut.

► **Fig.15:** 1. Retaining nut 2. Chain adjusting screw 3. Sprocket cover

2. Remove the sprocket cover.

3. Check the direction of the saw chain. Match the direction of the saw chain with that of the mark on the tool body.

► **Fig.16:** 1. Mark on chain saw body

4. Fit one end of the saw chain on the top of the guide bar. Fit the other end of the saw chain around the sprocket. Make sure that the saw chain is properly fitted on the sprocket and properly fitted in the groove of the guide bar.

5. Attach the guide bar to the tool body, aligning the hole on the guide bar with the pin on the tool body.
► **Fig.17:** 1. Hole 2. Sprocket

6. Insert the protrusion on the sprocket cover to the tool body, and then close the cover so that the bolt and pin on the tool body meet their counterparts on the cover.

► **Fig.18:** 1. Sprocket cover 2. Protrusion 3. Bolt 4. Pin

7. Tighten the retaining nut to secure the sprocket cover, then loosen it a bit for tension adjustment.

► **Fig.19:** 1. Retaining nut

After installing the saw chain, adjust the saw chain tension by referring to the section for adjusting saw chain tension.

Removing the saw chain

To remove the saw chain, perform the following steps:

1. Loosen the chain adjusting screw, then the retaining nut.

► **Fig.20:** 1. Retaining nut 2. Chain adjusting screw

2. Remove the sprocket cover, and then remove the saw chain and guide bar from the tool body.

Adjusting saw chain tension

CAUTION: Do not tighten the saw chain too much. Excessively high tension of saw chain may cause breakage of saw chain and wear of the guide bar.

CAUTION: A chain which is too loose can jump off the bar and it may cause an injury accident.

The saw chain may become loose after many hours of use. From time to time check the saw chain tension before use.

1. Loosen the retaining nut a bit to loosen the sprocket cover lightly.

► **Fig.21:** 1. Retaining nut

2. Lift up the guide bar tip slightly and adjust the chain tension. Turn the chain adjusting screw counterclockwise to tighten, turn it clockwise to loosen.

Tighten the saw chain until the lower side of the saw chain fits in the guide bar rail as illustrated.

► **Fig.22:** 1. Guide bar 2. Saw chain 3. Chain adjusting screw

3. Keep holding the guide bar lightly and attach the sprocket cover.

Make sure that the saw chain does not loose at the lower side.

4. Tighten the retaining nut to secure the sprocket cover.

► **Fig.23:** 1. Retaining nut

OPERATION

Lubrication

NOTICE: When filling the chain oil for the first time, or refilling the tank after it has been completely emptied, add oil up to the bottom edge of the filler neck. The oil delivery may otherwise be impaired.

NOTICE: Use the saw chain oil exclusively for Makita chain saws or equivalent oil available in the market.

NOTICE: Never use oil including dust and particles or volatile oil.

NOTICE: When pruning trees, use botanical oil. Mineral oil may harm trees.

NOTICE: Before the cutting operation, make sure that the oil tank cap is tightened securely.

Saw chain is automatically lubricated when the tool is in operation. Check the amount of remaining oil in the oil tank periodically.

► **Fig.24:** 1. Oil tank

To refill the tank, place the tool on a flat surface, then push the button on the oil tank cap so that the button on the other side stands up, and then remove the oil tank cap by turning it.

The proper amount of oil is 160 ml. After refilling the tank, make sure that the oil tank cap is tightened securely.

► **Fig.25:** 1. Oil tank cap 2. Tighten 3. Loosen

NOTE: If it is difficult to remove the oil tank cap, insert the box wrench into the slot of the oil tank cap, and then remove the oil tank cap by turning it counterclockwise.

► **Fig.26:** 1. Slot 2. Box wrench

After refilling, hold the tool away from the tree. Start it and wait until lubrication on saw chain is adequate.

► **Fig.27**

Attaching the shoulder harness

CAUTION: When you use the tool in combination of the backpack-type power supply such as portable power pack, do not use the shoulder harness included in the tool package, but use the hanging band recommended by Makita.

If you put on the shoulder harness included in the tool package and the shoulder harness of the backpack-type power supply at the same time, removing the tool or backpack-type power supply is difficult in case of an emergency, and it may cause an accident or injury. For the recommended hanging band, ask Makita Authorized Service Centers.

CAUTION: Always use the shoulder harness attached to the tool. Before operation, adjust the shoulder harness according to the user size to prevent fatigue.

CAUTION: Before operation, make sure that the shoulder harness is properly attached to the hanger on the tool.

CAUTION: Before operation, make sure that the buckle of the shoulder harness is fastened firmly.

CAUTION: Always use the shoulder harness dedicated to this tool. Do not use other shoulder harnesses.

1. Put on the shoulder harness and fasten the buckle.
▶ Fig.28: 1. Buckle

NOTE: When removing the shoulder harness, unlock the buckle and remove the shoulder harness.

2. Adjust the shoulder harness to a comfortable working position.
▶ Fig.29
3. Clasp the hook on the shoulder harness to tool's hanger.
▶ Fig.30: 1. Hook 2. Hanger

The shoulder harness features a means of quick release. Simply squeeze the sides of the buckle to release the shoulder harness.

- ▶ Fig.31: 1. Buckle

Working with the tool

CAUTION: Keep all parts of the body away from the saw chain when the motor is operating.

CAUTION: Hold the tool firmly with both hands when the motor is running.

CAUTION: Do not overreach. Keep proper footing and balance at all times.

CAUTION: When cutting through branches, be careful not to lose your balance due to the weight of the tool head.

CAUTION: Always keep escape route in case a cut branch falls towards the operator.

CAUTION: Never use the tip of the guide bar for cutting. Otherwise, dangerous kickback may occur, and it may result in personal injury.

NOTICE: Never toss or drop the tool.

NOTICE: Do not cover the vents of the tool.

NOTICE: Do not force the tool. Otherwise, it may damage the tool.

Stand on a stable surface, and hold the tool away from the branches so that the angle of the tool becomes 60° or less against the horizontal ground.

- ▶ Fig.32: 1. 60° or less

Start the tool, and then press the saw chain onto the branch lightly.

When cutting long branches, in order to control the drop position of cut branches, divide the branch in sections and cut the branch from the tip. Pay attention to the falling branches since they may bounce in the direction of the operator after hitting the ground.

- ▶ Fig.33

When cutting thick branches, first make a shallow undercut and then make the finish cut from the top.

- ▶ Fig.34

If you try to cut off thick branches from the bottom, the branch may close in and pinch the saw chain in the cut. If you try to cut off thick branches from the top without a shallow undercut, the branch may splinter.

- ▶ Fig.35

Carrying tool

Before carrying the tool, always remove the battery cartridge from the tool, then attach the guide bar cover, and then shorten the pipe. Also, cover the battery cartridge with the battery cover.

- ▶ Fig.36: 1. Guide bar cover 2. Battery cover

Using the tool with portable power pack

Optional accessory

Use the hanging band when you use the tool with portable power pack.

Attaching the hanging band

1. Attach the hooks of the hanging band to the rings of the shoulder harness or waist belt as shown in the figure. Select the type of band and the connecting method appropriate for your usage.

- ▶ Fig.37: 1. Ring 2. Hook

- ▶ Fig.38: 1. Ring 2. Hook

2. Attach the hook to the tool.

- ▶ Fig.39: 1. Hook

Detaching the tool

When setting down the tool, unlock the buckle on the hanging band with one hand while holding the tool with the other hand.

- ▶ Fig.40: 1. Buckle

NOTE: The buckle is not equipped depending on the type of band.

If you need to release the tool quickly, follow the steps below.

1. Push the levers on the buckle of the waist belt to unlock the buckle.

► **Fig.41:** 1. Buckle 2. Lever

2. Take off the shoulder harness to release the tool and the unit.

► **Fig.42:** 1. Shoulder harness

MAINTENANCE

⚠ CAUTION: Always be sure that the tool is switched off and the battery cartridge is removed before attempting to perform inspection or maintenance.

⚠ CAUTION: Always wear gloves when performing any inspection or maintenance.

NOTICE: Never use gasoline, benzine, thinner, alcohol or the like. Discoloration, deformation or cracks may result.

To maintain product SAFETY and RELIABILITY, repairs, any other maintenance or adjustment should be performed by Makita Authorized or Factory Service Centers, always using Makita replacement parts.

Sharpening the saw chain

Sharpen the saw chain when:

- Mealy sawdust is produced when damp wood is cut;
- The chain penetrates the wood with difficulty, even when heavy pressure is applied;
- The cutting edge is obviously damaged;
- The saw pulls to the left or right in the wood. (caused by uneven sharpening of the saw chain or damage to one side only)

Sharpen the saw chain frequently but a little each time. Two or three strokes with a file are usually sufficient for routine resharpening. When the saw chain has been resharpened several times, have it sharpened in our authorized service center.

Sharpening criteria:

⚠ WARNING: An excessive distance between the cutting edge and depth gauge increases the risk of kickback.

► **Fig.43:** 1. Cutter length 2. Distance between cutting edge and depth gauge 3. Minimum cutter length (3 mm)

- All cutter length must be equal. Different cutter lengths prevent the saw chain from running smoothly and may cause the saw chain to break.
- Do not sharpen the chain when the cutter length has reached 3 mm or shorter. The chain must be replaced with new one.
- The chip thickness is determined by the distance between the depth gauge (round nose) and the cutting edge.

— The best cutting results are obtained with following distance between cutting edge and depth gauge.

- Chain blade 90PX : 0.65 mm
- Chain blade 91PX : 0.65 mm

► **Fig.44**

— The sharpening angle of 30° must be the same on all cutters. Different cutter angles cause the chain to run roughly and unevenly, accelerate wear, and lead to chain breaks.

— Use a suitable round file so that the proper sharpening angle is kept against the teeth.

- Chain blade 90PX : 55°
- Chain blade 91PX : 55°

File and file guiding

— Use a special round file (optional accessory) for saw chains to sharpen the chain. Normal round files are not suitable.

— Diameter of the round file for each saw chain is as follows:

- Chain blade 90PX : 4.5 mm
- Chain blade 91PX : 4.0 mm

— The file should only engage the cutter on the forward stroke. Lift the file off the cutter on the return stroke.

— Sharpen the shortest cutter first. Then the length of this shortest cutter becomes the standard for all other cutters on the saw chain.

— Guide the file as shown in the figure.

► **Fig.45:** 1. File 2. Saw chain

— The file can be guided more easily if a file holder (optional accessory) is employed. The file holder has markings for the correct sharpening angle of 30° (align the markings parallel to the saw chain) and limits the depth of penetration (to 4/5 of the file diameter).

► **Fig.46:** 1. File holder

— After sharpening the chain, check the height of the depth gauge using the chain gauge tool (optional accessory).

► **Fig.47**

— Remove any projecting material, however small, with a special flat file (optional accessory).

— Round off the front of the depth gauge again.

Cleaning the guide bar

Chips and sawdust will build up in the guide bar groove. They may clog the bar groove and impair the oil flow. Clean out the chips and sawdust every time when you sharpen or replace the saw chain.

► **Fig.48**

Cleaning the sprocket cover

Chips and saw dust will accumulate inside of the sprocket cover. Remove the sprocket cover and saw chain from the tool then clean the chips and saw dust.

► **Fig.49**

Cleaning the oil discharge hole

Small dust or particles may be built up in the oil discharge hole during operation. These dust or particles may impair the oil to flow and cause an insufficient lubrication on the whole saw chain. When a poor chain oil delivery occurs at the top of guide bar, clean the oil discharge hole as follows.

1. Remove the sprocket cover and saw chain from the tool.
2. Remove the small dust or particles using a slotted screwdriver or the like.

► **Fig.50:** 1. Slotted screwdriver 2. Oil discharge hole

3. Insert the battery cartridge into the tool. Pull the switch trigger to flow built-up dust or particles off the oil discharge hole by discharging chain oil.

4. Remove the battery cartridge from the tool. Reinstall the sprocket cover and saw chain on the tool.

Replacing the sprocket

CAUTION: A worn sprocket will damage a new saw chain. Have the sprocket replaced in this case.

Before fitting a new saw chain, check the condition of the sprocket. If the sprocket is worn or damaged, ask Makita Authorized Service Centers for replacement.

► **Fig.51:** 1. Sprocket 2. Areas to be worn out

Storing the tool

1. Clean the tool before storing. Remove any chips and sawdust from the tool after removing the sprocket cover.
2. After cleaning the tool, run it under no load to lubricate the saw chain and guide bar.
3. Cover the guide bar with the guide bar cover, and then shorten the pipe.
4. Empty the oil tank.

Instructions for periodic maintenance

To ensure long life, prevent damage and ensure the full functioning of the safety features, the following maintenance must be performed regularly. Warranty claims can be recognized only if this work is performed regularly and properly. Failure to perform the prescribed maintenance work can lead to accidents! The user of the tool must not perform maintenance work which is not described in the instruction manual. All such work must be carried out by our authorized service center.

Check item / Operating time		Before operation	Everyday	Every week	Every 3 month	Annually	Before storage
Entire tool	Inspection.	✓	-	-	-	-	-
	Cleaning.	-	✓	-	-	-	-
	Check at authorized service center.	-	-	-	-	✓	✓
Saw chain	Inspection.	✓	-	-	-	-	-
	Sharpening if necessary.	-	-	-	-	-	✓
Guide bar	Inspection.	✓	✓	-	-	-	-
	Remove from the tool.	-	-	-	-	-	✓
Chain lubrication	Check the oil feed rate.	✓	-	-	-	-	-
Switch trigger	Inspection.	✓	-	-	-	-	-
Lock-off lever	Inspection.	✓	-	-	-	-	-
Oil tank cap	Check tightness.	✓	-	-	-	-	-
Screws and nuts	Inspection.	-	-	✓	-	-	-

TROUBLESHOOTING

Before asking for repairs, conduct your own inspection first. If you find a problem that is not explained in the manual, do not attempt to dismantle the tool. Instead, ask Makita Authorized Service Centers, always using Makita replacement parts for repairs.

Malfunction status	Cause	Action
The tool does not start.	Battery cartridge is not installed.	Install a charged battery cartridge.
	Battery problem (low voltage).	Recharge the battery cartridge. If recharging is not effective, replace the battery cartridge.
	Main power switch is off.	The tool is automatically turned off if it is un-operated for a certain period. Turn on the main power switch again.
The motor stops running after a little use.	Battery's charge level is low.	Recharge the battery cartridge. If recharging is not effective, replace the battery cartridge.
No oil on the chain.	Oil tank is empty.	Fill the oil tank.
	Oil guide groove is dirty.	Clean the groove.
The tool does not reach maximum RPM.	Battery cartridge is installed improperly.	Install the battery cartridge as described in this manual.
	Battery power is dropping.	Recharge the battery cartridge. If recharging is not effective, replace the battery cartridge.
	The drive system does not work correctly.	Ask the authorized service center in your region for repair.
The main power lamp is blinking in green.	Switch trigger is pulled under an unoperable condition.	Pull the switch trigger after the main power switch is turned on.
Abnormal vibration: Stop the tool immediately!	Loose guide bar or saw chain.	Adjust the guide bar and saw chain tension.
	Tool malfunction.	Ask the authorized service center in your region for repair.
The saw chain cannot be installed.	The combination of saw chain and sprocket is not correct.	Use the correct combination of saw chain and sprocket by referring to the section for specifications.

OPTIONAL ACCESSORIES

⚠ CAUTION: These accessories or attachments are recommended for use with your Makita tool specified in this manual. The use of any other accessories or attachments might present a risk of injury to persons. Only use accessory or attachment for its stated purpose.

If you need any assistance for more details regarding these accessories, ask your local Makita Service Center.

- Saw chain
- Guide bar
- Guide bar cover
- File
- Makita genuine battery and charger

⚠ WARNING: If you purchase a guide bar of different length from the standard guide bar, also purchase a suitable guide bar cover together. It must fit and fully cover the guide bar on the tool.

NOTE: Some items in the list may be included in the tool package as standard accessories. They may differ from country to country.

SPECIFIKATIONER

Modell:		UA004G
Total längd (utan svärd och batteri)		2 516 - 3 748 mm
Märkspänning		36 V - 40 V likström max
Nettovikt	*1	7,8 kg
	*2	7,8 - 9,1 kg
Standard svärdlängd		300 mm
Rekommenderad svärdlängd	med 90PX	250 - 300 mm
	med 91PX	250 - 300 mm
Applicerad sågkedjetyp (se tabellen nedan)		90PX 91PX
Standard kedjehjul	Antal tänder	6
	Vinkel	3/8*
Kedjehastighet		0 - 20 m/s (0 - 1 200 m/min)
Tankvolym kedjeolja		160 cm ³
Skyddsgrad		IPX4

- På grund av vårt pågående program för forskning och utveckling kan dessa specifikationer ändras utan föregående meddelande.
- Specifikationerna kan variera mellan olika länder.

*1: Vikt med den största batterikassetten och tom oljetank, utan svärd, kedja och axelband enligt EN ISO11680-1.

*2: Den lättaste och tyngsta viktcombinationen enligt EPTA-procedur 01/2014. Vikten kan variera beroende på tillbehör/tillbehören, inklusive batterikassett.

Tillgänglig batterikassett och laddare

Batterikassett	BL4020 / BL4025 / BL4040* / BL4050F* / BL4080F* *: Rekommenderat batteri
Laddare	DC40RA / DC40RB / DC40RC

- Vissa av batterikassetterna och laddarna på listan ovan kanske inte finns tillgängliga i din region.

⚠ VARNING: Använd endast batterikassetter och laddare från listan ovan. Användning av andra batterikassetter och laddare kan orsaka personskada och/eller brand.

Rekommenderad sladdansluten strömkälla

Bärbart strömpaket	PDC01 / PDC1200
--------------------	-----------------

- De(n) sladdanslutna strömkällan/strömkällorna på listan ovan kanske inte finns tillgängliga i din region.
- Innan du använder den sladdanslutna strömkällan ska du läsa instruktionen och varningsmärkena på den.

Kombination av sågkedja, svärd och kedjehjul












Sågkedjetyp		90PX
Antal drivlänkar		46
Svärd	Svärdlängd	300 mm
	Såglängd	296 mm
	Vinkel	3/8*
	Mätare	1,1 mm
	Typ	Kuggdrev
Kedjehjul	Antal tänder	6
	Vinkel	3/8*

Såpkedjetyp		91PX
Antal drivlänkar		46
Svärd	Svärdlängd	300 mm
	Såglängd	296 mm
	Vinkel	3/8°
	Mätare	1,3 mm
	Typ	Kuggdrev
Kedjehjul	Antal tänder	6
	Vinkel	3/8°

⚠ VARNING: Använd en lämplig kombination av svärd och sågkedje. I annat fall kan personskada uppstå.

Symboler

Följande visar symbolerna som kan användas för utrustningen. Se till att du förstår innebörden innan användning.

	Läs igenom bruksanvisningen.
	Använd hjälm, skyddsglasögon och hörselskydd.
	Använd skyddshandskar.
	Använd kraftiga stövlar med halkfria sulor. Skyddsstövlar med stålförstärkt tåhätta rekommenderas.
	Akta dig för elledning, risk för elektrisk stöt.
	Håll ett avstånd på minst 15 m.
	Maximal tillåten kaplängd
	Kedjans rotationsriktning
	Tank kedjeolja
	Heta ytor – brännskador på fingrar och händer.
	Gäller endast inom EU P.g.a. förekomsten av farliga komponenter i utrustningen kan avfall innehållande elektrisk och elektronisk utrustning, ackumulatörer och batterier ha negativ inverkan på miljön och människors hälsa. Kassera inte elektriska och elektroniska apparater eller batterier ihop med hushållsavfall! I enlighet med EU-direktiven om avfall som utgörs av eller innehåller elektrisk och elektronisk utrustning och om batterier och ackumulatörer och förbrukade batterier och ackumulatörer, och dess införlivande i nationell lagstiftning, bör förbrukad elektrisk och elektronisk utrustning, batterier och ackumulatörer förvaras separat och transporteras till en särskild uppsamlingsplats för kommunalt avfall, som drivs i enlighet med regelverket för miljöskydd. Detta anges av symbolen med den överkryssade soptunnan på hjul som sitter på utrustningen.



Garanterad ljudeffektnivå enligt EU-direktivet för utomhusbuller.



Ljudeffektnivå enligt Australia NSW Noise Control Regulation (Bullerreglering)

Avsedd användning

Verktyget är avsett att beskära grenar och kvistar.

Buller

Den normala bullernivån för A-belastning är bestämd enligt ISO22868(ISO11680-1):
Ljudtrycksnivå (L_{pA}) : 90 dB (A)
Ljudeffektnivå (L_{WA}) : 105 dB (A)
Måttolerans (K): 3 dB (A)

OBS: Det deklarerade bullervärdet har uppmätts i enlighet med standardtestmetoden och kan användas för jämförandet av en maskin med en annan.

OBS: Det deklarerade bulleremissionsvärdet kan också användas i en preliminär bedömning av exponering för vibration.

⚠ VARNING: Använd hörselskydd.

⚠ VARNING: Bulleremissionen under faktisk användning av maskinen kan skilja sig från det deklarerade värdet, beroende på hur maskinen används och särskilt vilken typ av arbetsstycke som behandlas.

⚠ VARNING: Var noga med att identifiera säkerhetsåtgärder för att skydda användaren, vilka är grundade på en uppskattning av graden av exponering för vibrationer under de faktiska användningsförhållandena, (ta, förutom avtryckartiden, med alla delar av användarcykeln i beräkningen, som till exempel tiden då maskinen är avstängd och när den går på tomgång).

Vibration

Vänster handtag (främre grepp)		Höger handtag (bakre grepp)		Gällande standard
ah (m/s ²)	Måttolerans K (m/s ²)	ah (m/s ²)	Måttolerans K (m/s ²)	
2,5	1,5	3,1	1,5	ISO22867(ISO11680-1)

OBS: Det deklarerade totala vibrationsvärdet har uppmätts i enlighet med standardtestmetoden och kan användas för jämförandet av en maskin med en annan.

OBS: Det deklarerade totala vibrationsvärdet kan också användas i en preliminär bedömning av exponering för vibration.

⚠ VARNING: Vibrationsemissionen under faktisk användning av maskinen kan skilja sig från det deklarerade värdet, beroende på hur maskinen används och särskilt vilken typ av arbetsstycke som behandlas.

⚠ VARNING: Var noga med att identifiera säkerhetsåtgärder för att skydda användaren, vilka är grundade på en uppskattning av graden av exponering för vibrationer under de faktiska användningsförhållandena, (ta, förutom avtryckartiden, med alla delar av användarcykeln i beräkningen, som till exempel tiden då maskinen är avstängd och när den går på tomgång).

EG-försäkran om överensstämmelse

Gäller endast inom EU

EG-försäkran om överensstämmelse inkluderas som bilaga A till denna bruksanvisning.

SÄKERHETSVARNINGAR

Allmänna säkerhetsvarningar för maskiner

⚠ VARNING: Läs alla säkerhetsvarningar, anvisningar, illustrationer och specifikationer som medföljer det här maskinen. Underlåtenhet att följa instruktionerna kan leda till elstöt, brand och/eller allvarliga personskador.

Spara alla varningar och instruktioner för framtida referens.

Termen "maskin" som anges i varningarna hänvisar till din eldrivna maskin (sladdansluten) eller batteridrivna maskin (sladdlös).

Säkerhetsvarningar för batteridriven stamkvistare på teleskopstång

Allmänna försiktighetsåtgärder

1. Läs igenom denna bruksanvisning för att bli förtrogen med hanteringen av verktyget innan du börjar använda det.
2. Låna inte ut tillbehört till en person som inte har tillräcklig erfarenhet eller kunskap om hanteringen av verktyget.
3. Lämna alltid över denna bruksanvisning när du lånar ut verktyget.
4. Låt inte barn eller ungdomar under 18 år använda verktyget. Håll den borta från verktyget.
5. Hantera verktyget med största försiktighet och uppmärksamhet.

6. Använd aldrig verktyget efter intag av alkohol eller droger, eller om du känner dig trött eller sjuk.
7. Försök aldrig modifiera verktyget.
8. Använd inte verktyget vid dåliga väderförhållanden, speciellt inte vid risk för åska. Då minskar risken att bli träffad av blixten.
9. Nationella bestämmelser kan begränsa användningen av verktyget. Följ föreskrifterna om hantering av verktyget i ditt land.

Personlig skyddsutrustning

1. Bär skyddshjälm, skyddsglasögon och skyddshandskar för att skydda dig mot flygande material eller fallande föremål.
2. Bär hörselskydd, såsom hörselkåpor för att undvika hörselskador.
3. Bär lämpliga kläder och skor för säker användning, som till exempel arbetsoverall och kraftiga skor med halkfri sula. Bär inte löst sittande kläder eller smycken. Löst sittande kläder, smycken eller långt hår kan fastna i de rörliga delarna.
4. Bär skyddshandskar när du hanterar sågkedjan eller justerar kedjespänningen. Sågkedjan kan allvarligt skära oskyddade händer.

Säkerhet på arbetsplatsen

1. Håll verktyget minst 15 m från elektriska ledningar och kommunikationskablar (inklusive alla grenar som kommer i kontakt med dem). Om du vidrör eller närmar dig högspänningsledningar med verktyget kan det leda till död eller allvarliga skador. Kontrollera elledning och elstängsel runt om arbetsområdet innan du börjar klippa.
2. Använd verktyget endast under goda ljusförhållanden och i dagsljus. Arbeta inte med verktyget i mörker eller dimma.
3. Stå aldrig på ett instabilt eller halt underlag eller i en sluttning under användningen. Var observant på is och snö under vintersäsongen och se till att du alltid står stadigt.
4. Håll åskådare och djur på minst 15 m avstånd från verktyget under användningen. Stanna verktyget så fort någon närmar sig.

5. Håll ett avstånd på minst 15 m eller mer mellan varandra när du arbetar med två eller flera personer och ha en handledare.
6. Undersök arbetsområdet före användningen så att det inte finns stängsel, murar eller andra fasta föremål. De kan skada sågkedjan.
7. Försök aldrig att använda verktyget med en hand. Om du tappar kontrollen kan det leda till allvarliga eller dödliga skador. Minska risken för skador genom att hålla händer och fötter borta från sågkedjan.

Förberedelse

1. Före montering eller justering av verktyget, stänger du av verktyget och avlägsnar batterikassetten.
2. Ta på dig skyddshandskar innan du hanterar sågkedjan eller justerar kedjespänningen.
3. Innan du startar verktyget ska du kontrollera att verktyget inte är skadat, har lösa skruvar/muttrar eller är felaktigt monterat. Slipa trubbig sågkedja. Om sågkedjan är böjd eller skadad ska den bytas ut. Kontrollera att alla kontrollspakar och brytare fungerar korrekt. Rengör och torka handtagen.
4. Försök aldrig att starta verktyget om verktyget är skadat eller inte fullständigt monterat. Det kan i så fall leda till allvarliga personskador.
5. Justera axelbandet så att de passar operatörens storlek.
6. Justera kedjespänningen ordentligt. Fyll på kedjeolja vid behov.
7. Översträck inte. Stå alltid stabilt och ha god balans hela tiden. Se upp för dolda hinder såsom stubbar, rötter och diken för att undvika att snubbla. Rensa bort nedfallna grenar och andra föremål.
8. Stå aldrig och arbeta på en stege eller i ett träd för att undvika att tappa kontrollen.
9. Kontrollera verktyget innan du fortsätter att arbeta igen om den slagit emot något hårt eller ramlat ned. Om det finns någon skada eller tveksamhet kontaktar du Makitas auktoriserade servicecenter för kontroll och reparation.
10. Rör inte verktygets huvud. Verktygets huvud blir varmt under användning.
11. Ta en paus för att förebygga trötthet och förlo-rad kontroll. Vi rekommenderar en paus på 10 till 20 minuter varje timme.
12. Stäng alltid av verktyget och avlägsna batterikassetten när du lämnar verktyget, även om det bara är för en kort stund. Ett oöväntat verktyg i drift kan användas av obehörig person och orsaka allvarliga olyckor.

Starta verktyget

1. Bär personlig skyddsutrustning innan du startar verktyget.
2. Innan du startar verktyget, kontrollera att det inte finns någon person eller något djur inom arbetsområdet.
3. Håll sågkedjan och svärdet borta från kroppen och andra föremål, inklusive marken, när du sätter i batterikassetten. Sågkedjan kan rotera vid start och orsaka allvarliga personskador eller skada sågkedjan och/eller egendom.
4. Placera verktyget på ett stabilt underlag. Håll god balans och stå stabilt.
5. När du manövrerar verktyget ska du inte höja din högra hand över axelhöjden.
6. Kom aldrig i kontakt med sågkedjan emot hårda föremål som stenar och spikar vid användning. Var särskilt försiktig när du klipper grenar bredvid väggar, stängsel eller liknande.
7. Om grenar fastnar i verktyget ska du alltid stoppa verktyget och ta bort batterikassetten. Annars kan oavsiktligt start leda till personskada.
8. Om sågkedjan blir igensatt, stäng alltid av verktyget och ta bort batterikassetten innan rengöring.

Användning

1. Stäng genast av verktyget i ett nödläge.
2. Stäng av verktyget om du känner att något är fel (t.ex. buller, vibrationer) under arbetet. Använd inte verktyget innan du vet orsaken till felet och åtgärdat det.
3. Sågkedjan fortsätter att röra sig under en kort period efter att verktyget har stängts av. Ha inte bråttom med att röra vid sågkedjan.
4. Använd axelbandet när du arbetar. Håll verktyget stadigt på din högra sida.
5. Håll i det främre handtaget med din vänstra hand och i det bakre handtaget med din högra hand, oavsett om du är vänster- eller högerhänt. Stäng fingrarna och tummen runt handtagen.
6. Håll endast verktyget i de isolerade handtagen om det finns risk för att sågkedjan kan komma i kontakt med en dold elkabel. Om sågkedjan kommer i kontakt med en strömförande ledning, gör detta att metalldelar blir strömförande och kan ge operatören en elektrisk stöt.
7. Om du accelererar motorn när sågkedjan är blockerad ökar trycket, vilket skadar verktyget.
8. Innan du skär i kvistar ska du hålla ett flyktområde borta från fallande kvistar. Först, ta bort kvistar och grenar från arbetsområdet. Flytta alla verktyg och saker från flyktområdet till en annan säker plats.
9. Innan du klipper grenar och kvistar, kontrollera riktningen på det som faller, med tanke på grenarnas och kvistarnas status, angränsande träd, vindriktning osv. Var uppmärksam på fallriktningen om grenen studsar tillbaka när den stöter på marken.
10. Håll aldrig verktyget i en vinkel på mer än 60°. Annars kan fallande föremål träffa operatören och orsaka allvarliga skador. Stå aldrig under den kvist som skärs.
11. Var uppmärksam på trasiga eller böjda grenar. De kan studsas tillbaka i vid kapningen och orsaka oväntade skador.

23. Innan du kapar de grenar och kvistar som du tänker kapa, ska du ta bort grenar och blad runt dem. Annars kan sågkedjan fastna i dem.
24. För att förhindra sågkedjan att fångas i sågspåret, släpp inte spaken innan du drar sågkedjan ut ur sågspåret.
25. Om sågkedjan sitter fast i sågspåret, stoppa omedelbart verktyget, flytta försiktigt grenen för att öppna sågspåret och lossa sågkedjan.
26. Undvik bakåtkast (roterande reaktiv kraft mot operatören). För att förhindra bakåtkast, använd aldrig svärdets spets eller utför en penetrerande kapning. Var alltid uppmärksam på positionen på svärdets spets.
27. Kontrollera kedjesträckningen regelbundet. När du kontrollerar eller justerar kedjespänningen, stäng av verktyget och ta bort batterikassetten. Om spänningen är lös, dra åt den.
28. Var uppmärksam på var du har fötterna när du använder verktyget på lerig mark, i våta sluttningar eller hala ställen.
29. Låt inte verktyget åka ner i någon pöl.
30. Lämna inte verktyget obevakat utomhus i regn.

Transportering

1. Innan du transporterar verktyget ska du stänga av verktyget och ta bort batterikassetten. Sätt alltid på svärdskyddet vid transport.
2. Bär verktyget i horisontalt läge genom att hålla i handtaget när du transporterar det.

Underhåll

1. Se till att din utrustning servas på vårt auktoriserade servicecenter där endast originalreservdelar används. Felaktig reparation och dåligt underhåll kan förkorta verktygets livslängd och öka risken för olyckor.
2. Innan du utför något underhåll, reparationsarbeten eller rengöring av verktyget du alltid stänga av verktyget och avlägsna batterikassetten. Vänta tills verktyget har svalnat.
3. Bär alltid skyddshandskar när du hanterar sågkedjan.
4. Dra åt alla skruvar och muttrar utom justerskruvarna efter varje användning.
5. Håll sågkedjan vass. Om sågkedjan blivit slö och klipprestandan är låg kan du be Makitas auktoriserade servicecenter att slipa den eller byta ut den mot en ny kedja.
6. Utför inget underhåll eller reparationer som inte finns beskrivna i denna bruksanvisning. Be Makitas auktoriserade servicecenter att utföra sådant arbete.
7. Använd endast originalreservdelar och tillbehör från Makita. Om delar eller tillbehör från en tredje part används kan det resultera i att verktyget går sönder, egendomsskador och/eller allvariga personskador.

Förvaring

1. Utför helrengöring och underhåll på verktyget innan det tas i förvar. Fäst svärdskyddet. Ta bort batterikassetten. Töm kedjeoljan efter att verktyget har svalnat.
2. Förvara verktyget på en torr, hög eller låst plats utom räckhåll för barn.

3. Luta inte verktyget mot något, såsom en vägg. Det kan plötsligt falla ned och orsaka personskador.
4. När verktyget tas i förvar, undvik då direkt solljus och regn, och förvara det på en plats där det inte blir varmt eller fuktigt.

EI- och batterisäkerhet

1. Släng inte batteriet/batterierna i öppen eld. Cellen kan explodera. Kontrollera de lokala reglerna för att se eventuell särskild avfallshantering.
2. Öppna inte eller förstör batteriet/batterierna. Elektrolyt som kommer ut är frätande och kan ge ögon- eller hudskador. Det kan vara giftigt vid förtäring.
3. Ladda inte batteriet i regn eller i fuktiga eller våta utrymmen.
4. Ladda inte batteriet utomhus.
5. Hantera inte laddaren, däribland laddarstickproppen, och laddarens kopplingar med våta händer.
6. Undvik farliga miljöer. Använd inte verktyget på fuktiga eller blöta områden, eller utsätt den för regn. Vatten som kommer in i verktyget ökar risken för elektrisk stöt.
7. Byt inte ut batteriet i regn.

SPARA DESSA ANVISNINGAR.

⚠ VARNING: GLÖM INTE att också fortsättningsvis strikt följa säkerhetsanvisningarna för maskinen även efter att du blivit van att använda den. Vid FELAKTIG HANTERING av maskinen eller om inte säkerhetsanvisningarna i denna bruksanvisning följs kan följden bli allvariga personskador.

Viktiga säkerhetsanvisningar för batterikassetten

1. Innan batterikassetten används ska alla instruktioner och varningsmärken på (1) batteriladdaren, (2) batteriet och (3) produkten läsas.
2. Montera inte isär eller mixtra med batterikassetten. Det kan leda till brand, överdriven värme eller explosion.
3. Om drifttiden blivit avsevärt kortare ska användningen avbrytas omedelbart. Det kan uppstå överhettning, brännskador och t o m en explosion.
4. Om du får elektrolyt i ögonen ska de sköljas med rent vatten och läkare uppsökas omedelbart. Det finns risk för att synen förloras.
5. Kortslut inte batterikassetten.
 - (1) Rör inte vid polerna med något strömförande material.
 - (2) Undvik att förvara batterikassetten tillsammans med andra metallobjekt som t.ex. spikar, mynt o.s.v.
 - (3) Skydda batteriet mot vatten och regn. En batterikortslutning kan orsaka ett stort strömflöde, överhettning, brand och maskinhaveri.

6. **Förvara och använd inte verktyget och batterikassetten på platser där temperaturen kan nå eller överstiga 50 °C.**
7. **Bränn inte upp batterikassetten även om den är svårt skadad eller helt utsliten. Batterikassetten kan explodera i öppen eld.**
8. **Spika inte i, krossa, kasta, tappa eller slå batterikassetten mot hårda föremål.** Dylåka händelser kan leda till brand, överdriven värme eller explosion.
9. **Använd inte ett skadat batteri.**
10. **De medföljande litiumjonbatterierna är föremål för kraven i gällande lagstiftning för farligt gods.**
För kommersiella transporter (av t.ex. tredje parter som speditiönsfirmor) måste de särskilda transportkrav som anges på emballaget och etiketter iakttas.
För att förbereda den produkt som ska avsändas krävs att du konsulterar en expert på riskmaterial. Var också uppmärksam på att det i ditt land kan finnas ytterligare föreskrifter att följa.
Tejpa över eller maskera blottade kontakter och packa batteriet på sådant sätt att det inte kan röra sig fritt i förpackningen.
11. **När batterikassetten ska kasseras måste den tas bort från maskinen och kasseras på ett säkert sätt. Följ lokala föreskrifter beträffande avfallshantering av batteriet.**
12. **Använd endast batterierna med de produkter som specificerats av Makita.** Att använda batterierna med ej godkända produkter kan leda till brand, överdriven värme, explosion eller utläckande elektrolyt.
13. **Om maskinen inte används under en lång tid måste batteriet tas bort från maskinen.**
14. **Under och efter användning kan batterikassetten bli het vilket kan orsaka brännskador eller lättare brännskador. Var uppmärksam på hur du hanterar varma batterikassetter.**
15. **Vidrör inte verktygets kontakter direkt efter användning eftersom de kan bli heta och orsaka brännskador.**
16. **Låt inte flisor, damm eller smuts fastna i kontaktarna, i hål eller spår i batterikassetten.** Det kan leda till att verktyget eller batterikassetten värms upp, fattar eld, går sönder eller inte fungerar som de ska, vilket kan orsaka brännskador eller personskador.
17. **Såvida inte verktyget stöder arbeten i närheten av högspänningsledning får batterikassetten inte användas i närheten av en högspänningsledning.** Det kan leda till att verktyget eller batterikassetten går sönder eller inte fungerar korrekt.
18. **Förvara batteriet utom räckhåll för barn.**

SPARA DESSA ANVISNINGAR.

⚠ FÖRSIKTIGT: Använda endast äkta Makita-batterier. Användning av oäkta Makita-batterier eller batterier som har manipulerats kan leda till person- och utrustningsskador eller till att batteriet fattar eld. Det upphäver också Makitas garanti för verktyget och laddaren.

Tips för att uppnå batteriets maximala livslängd

1. **Ladda batterikassetten innan den är helt urladdad. Stanna alltid maskinen och ladda batterikassetten när du märker att maskinen blir svagare.**
2. **Ladda aldrig en fulladdad batterikasset. Överladdning förkortar batteriets livslängd.**
3. **Ladda batterikassetten vid en rumstemperatur på 10 °C - 40 °C. Låt en varm batterikasset svalna innan den laddas.**
4. **När batterikassetten inte används ska den tas bort från verktyget eller laddaren.**
5. **Ladda batterikassetten om du inte har använt den på länge (mer än sex månader).**

BESKRIVNING AV DELAR

► Fig.1

1	Lampa för nätspänning	2	Strömbrytare	3	Upphångningsanordning
4	Säkerhetsspärr	5	Batterikasset	6	Avtryckare
7	Bakre handtaget	8	Sågkedja	9	Svärd
10	Oljetanklock	11	Låsring	12	Låsmutter
13	Kedjeskriv	14	Svärdskydd	15	Främre handtaget

FUNKTIONSBESKRIVNING

⚠ FÖRSIKTIGT: Se alltid till att maskinen är avstängd och batterikassetten borttagen innan du justerar maskinen eller kontrollerar dess funktioner.

Montera eller demontera batterikassetten

⚠ FÖRSIKTIGT: Stäng alltid av maskinen innan du monterar eller tar bort batterikassetten.

⚠ FÖRSIKTIGT: Håll stadigt i maskinen och batterikassetten när du monterar eller tar bort batterikassetten. I annat fall kan det leda till att de glider ur dina händer och orsakar skada på maskinen och batterikassetten samt personskada.

► **Fig.2:** 1. Röd indikator 2. Knapp 3. Batterikassett

Ta bort batterikassetten genom att skjuta ner knappen på kassetterns framsida samtidigt som du drar ut batterikassetten.

Sätt i batterikassetten genom att rikta in tungan på batterikassetten mot spåret i höljet och skjut den på plats. Tryck in batterikassetten ordentligt tills den låser fast med ett klick. Om du kan se den röda indikatorn som bilden visar är den inte låst ordentligt.

⚠ FÖRSIKTIGT: Sätt alltid i batterikassetten helt tills den röda indikatorn inte längre syns. I annat fall kan den oväntat falla ur verktyget och skada dig eller någon annan.

⚠ FÖRSIKTIGT: Montera inte batterikassetten med våld. Om kassetten inte lätt glider på plats är den felinsatt.

Indikerar kvarvarande batterikapacitet

Tryck på kontrollknappen på batterikassetten för att se kvarvarande batterikapacitet. Indikatorlamporna lyser i ett par sekunder.

► **Fig.3:** 1. Indikatorlampor 2. Kontrollknapp

Indikatorlampor			Kvarvarande kapacitet
Upplyst	Av	Blinkar	
■	□	◐	75% till 100%
■	■	■	
■	■	□	
■	□	□	
■	□	□	
■	□	□	50% till 75%
■	□	□	25% till 50%
■	□	□	
■	□	□	
■	□	□	0% till 25%
◐	□	□	Ladda batteriet.
■	■	□	Batteriet kan ha skadats.
□	□	■	

OBS: Beroende på användningsförhållanden och den omgivande temperaturen kan indikationen skilja sig lätt från den faktiska batterikapaciteten.

OBS: Den första (längst till vänster) indikatorlampan kommer att blinka när batteriskyddssystemet fungerar.

Skyddssystem för maskinen/batteriet

Verktyget är utrustat med ett skyddssystem för verktyget/batteriet. Detta system bryter automatiskt strömmen till motorn för att förlänga verktygets och batteriets livslängd. Verktyget stoppar automatiskt under användningen om verktyget eller batteriet hamnar i en av följande situationer:

Överbelastningsskydd

När batteriet används på ett sätt som gör att den drar onormalt mycket ström, stoppar maskinen automatiskt och lampan för nätspänning blinkar grönt. När detta sker stänger du av maskinen och upphör med arbetet som gjorde att den överbelastades. Starta därefter upp maskinen igen.

Överhettningsskydd

När maskinen eller batteriet överhettas stoppas den automatiskt och lampan börjar blinka. I sådant fall ska du låta maskinen och batteriet svalna innan du startar den igen.

OBS: I miljöer med höga temperaturer är det troligt att överhettningsskyddet löser ut och maskinen stoppar automatiskt.

Överurladdningsskydd

När batterikapaciteten inte är tillräcklig stoppas maskinen automatiskt och lampan börjar blinka rött. I sådant fall ska batteriet tas ur maskinen och laddas.

Skydd mot andra felorsaker

Skyddssystemet är också utformat för att hantera andra orsaker som skulle kunna skada verktyget, och gör att verktyget kan stanna automatiskt. Om verktyget stannat tillfälligt eller helt slutat fungera utför du följande steg för att åtgärda problemen.

1. Stäng av verktyget och slå sedan på det igen för att starta om det.
2. Ladda upp batteriet/batterierna eller byt ut det/dem mot uppladdade batterier.
3. Låt verktyget och batteriet/batterierna svalna.

Om återställning av skyddssystemet inte leder till någon förbättring, kontakta ditt lokala Makita Service Center.

Strömbrytare

⚠ VARNING: Stäng alltid av strömbrytaren när verktyget inte används.

Tryck på huvudströmbrytaren för att slå på verktyget. För att stänga av trycker du på huvudströmbrytaren igen.

► **Fig.4:** 1. Lampa för nätspänning 2. Strömbrytare

OBS: Lampan blinkar grön då när slår på huvudströmbrytaren medan du håller ner säkerhetsspärren och drar i avtryckaren. I det här fallet släpper du avtryckaren och säkerhetsspärren, och slå sedan på huvudströmbrytaren.

OBS: Denna maskin har en automatisk avstängningsfunktion. För att undvika oavsiktlig start kommer strömbrytaren automatiskt att stänga ner när avtryckaren inte aktiveras under en viss tid efter strömbrytaren aktiverats.

Avtryckarens funktion

⚠ VARNING: Detta verktyg är utrustat med en säkerhetsspärr som förhindrar oavsiktlig start. Använd **ALDRIG** maskinen om den startar när du trycker på avtryckaren utan att ha tryckt in säkerhetsspärren. Returnera verktyget till ett auktoriserat servicecenter för reparation **INNAN** du fortsätter att använda det.

⚠ VARNING: Sätt **ALDRIG** säkerhetsspärren ur funktion genom att t.ex. tejpa över den.

⚠ FÖRSIKTIGT: Innan du sätter i batterikassetten i maskinen ska du kontrollera att avtryckaren fungerar och återgår till läget "OFF" när du släpper den.

OBSERVERA: Tryck inte in avtryckaren utan att ha tryckt in säkerhetsspärren. Det kan skada avtryckaren.

Säkerhetsspakens funktion är att förhindra att avtryckaren oavsiktligt trycks in. Starta maskinen genom att först trycka in startspärren och sedan avtryckaren. Hastigheten ökar genom att du trycker hårdare på avtryckaren. Släpp avtryckaren för att stoppa maskinen.
► **Fig.5:** 1. Avtryckare 2. Säkerhetsspärr

Justering av rörlängden

För att förlänga eller förkorta röret, lossa låsringen genom att vrida låsringen moturs, justera sedan rörets längd och dra åt ringen genom att vrida låsringen medurs.

► **Fig.6:** 1. Låsring 2. Rör

MONTERING

⚠ FÖRSIKTIGT: Se alltid till att maskinen är avstängd och batterikassetten borttagen innan du underhåller maskinen.

⚠ FÖRSIKTIGT: Rör inte vid sågkedjan med bara händer. Bär alltid handskar när du hanterar sågkedjan.

Montera verktyget

1. Ta bort 2 lock från röret och ett lock från verktygets huvud.

► **Fig.7:** 1. Lock 2. Rör 3. Huvudet på verktyget

2. Lossa 3 bultar och ta bort en bult med insexnyckeln.

► **Fig.8:** 1. Bult

3. Sätt i röret i verktygskroppen hela vägen och justera sedan hålet på röret med hålet på verktygskroppen.

► **Fig.9:** 1. Hål 2. Rör

4. Dra åt 3 bultar med insexnyckeln.

► **Fig.10:** 1. Bult

5. Lossa 2 bultar och ta sedan bort en bult.

► **Fig.11:** 1. Bult

6. Lossa låsringen genom att vrida låsringen moturs, förläng sedan röret ungefär 10 cm eller mer, och dra sedan åt låsringen genom att vrida låsringen medurs.

► **Fig.12:** 1. Låsring 2. 10 cm eller mer 3. Rör

7. Sätt i röret i verktygets huvud hela vägen och justera sedan hålet på röret med hålet på verktygets huvud.

► **Fig.13:** 1. Hål 2. Rör

8. Dra åt 2 bultar med insexnyckeln.

► **Fig.14:** 1. Bult

Montering eller demontering av sågkedja

⚠ FÖRSIKTIGT: Sågkedjan och svärdet är fortfarande varma direkt efter användning. Låt dem svalna tillräckligt innan du utför något arbete på maskinen.

⚠ FÖRSIKTIGT: Montera eller ta bort kedjan på en ren plats fri från sågdamn och liknande.

Montera sågkedjan

Utför följande steg för att montera sågkedjan:

1. Lossa på kedjeskraven och därefter på låsmuttern.

► **Fig.15:** 1. Låsmutter 2. Kedjeskrav
3. Kedjedrevskåpa

2. Ta bort kedjedrevskåpan.

3. Kontrollera sågkedjans rotationsriktning. Ställ in sågkedjans riktning med markeringen på verktygskroppen.

► **Fig.16:** 1. Markering på kedjesågens kropp

4. Passa in ena änden av sågkedjan på toppen av svärdet. Montera den andra änden av sågkedjan runt kedjehjulet. Se till att sågkedjan är ordentligt monterad på kedjehjulet samt korrekt monterad i spåret på svärdet.

5. Fäst svärdet på verktygskroppen och anpassa hålet på svärdet med stiftet på verktygskroppen.

► **Fig.17:** 1. Hål 2. Kedjehjul

6. För in den utskjutande delen på kedjehjulskåpan på verktygskroppen och stäng sedan kåpan så att bult och stift på verktygskroppen passar in med motsvarande delar på kåpan.

► **Fig.18:** 1. Kedjedrevskåpa 2. Utskjutande del 3. Bult 4. Stift

7. Dra fast låsmuttern för att säkra kedjehjulskåpan och lossa den därefter lite för inställning av spänning.

► **Fig.19:** 1. Låsmutter

När du har satt dit sågkedjan, justera kedjesträckning enligt avsnittet om justering av kedjesträckning.

Ta bort sågkedjan

Utför följande steg för att ta bort sågkedjan:

1. Lossa på kedjeskraven och därefter på låsmuttern.

► **Fig.20:** 1. Låsmutter 2. Kedjeskrav

2. Ta bort kedjehjulskåpan och ta därefter bort sågkedjan och svärdet från verktygskroppen.

Justering av kedjesträckning

⚠ FÖRSIKTIGT: Sträck inte sågkedjan för mycket. En alltför sträckt kedja kan medföra kedjebrott och slitage på svärdet.

⚠ FÖRSIKTIGT: En kedja som inte är tillräckligt spänd kan hoppa ur sitt spår och orsaka en olycka.

Kedjan kan förlora sin sträckning efter ett antal timmars användning. Kontrollera därför emellanåt kedjesträckningen innan du använder kedjesågen.

1. Lossa lätt på låsmuttern för att lossa kedjehjulskåpan lite lätt.

► **Fig.21:** 1. Låsmutter

2. Lyft upp svärdspetsen lite och justera kedjesträckningen. Vrid kedjeskraven moturs för att dra åt och medurs för att lossa.

Spänn åt sågkedjan tills den nedre delen av sågkedjan passar in i svärdets skena.

► **Fig.22:** 1. Svärd 2. Sågkedja 3. Kedjeskrav

3. Fortsätt att hålla lätt i svärdet och fäst kedjehjulskåpan.

Se till att sågkedjan inte slackar på den undre sidan.

4. Dra åt låsmuttern medurs för att säkra kedjehjulskåpan.

► **Fig.23:** 1. Låsmutter

ANVÄNDNING

Smörjning

OBSERVERA: När du fyller på kedjeolja för första gången, eller om du fyller på olja när tanken blivit helt tom, ska du fylla på olja upp till kragen på påfyllningshålet. Oljefördelningen kan annars försämrans.

OBSERVERA: Använd endast en sågkedjeolja som är avsedd för Makita:s kedjesågar eller motsvarande som finns tillgänglig i handeln.

OBSERVERA: Använd aldrig olja som innehåller damm och partiklar eller flyktig olja.

OBSERVERA: Använd botanisk olja vid beskärning av träd. Mineralolja kan skada träden.

OBSERVERA: Innan du börjar såga, kontrollera att det medföljande oljetanklocket är fastskruvat på plats.

Sågkedjan blir automatiskt smord när verktyget är i användning. Kontrollera återstående mängd olja i oljetanken vid jämna mellanrum.

► **Fig.24:** 1. Oljetank

För att fylla på tanken, placera verktyget på en plan yta, tryck sedan på knappen på oljetanklocket så att knappen på andra sidan står upp, och ta sedan av oljetanklocket genom att vrida det.

Korrekt mängd olja är 160 ml. Se till att oljetanklocket sitter på ordentligt efter påfyllning.

► **Fig.25:** 1. Oljetanklock 2. Dra åt 3. Lossa

OBS: Om det är svårt att ta bort oljetanklocket ska du sätta in den fasta nyckeln i spåret på oljetanklocket och ta sedan av oljetanklocket genom att vrida det moturs.

► **Fig.26:** 1. Skåra 2. Fast nyckel

Håll bort verktyget från trädet efter påfyllning. Starta den och vänta tills smörjningen av sågkedjan är tillräcklig.

► **Fig.27**

Fästa axelbandet

⚠ FÖRSIKTIGT: När du använder verktyget i kombination med en strömförsörjning av ryggsäckstyp, t.ex. bärbart strömpaket, använd då inte det axelband som ingår i verktygspaketet använd istället det upphängningsband som rekommenderas av Makita.

Om du tar på dig axelbandet inkluderat i verktygspaketet och axelbanden till strömförsörjningen av ryggsäckstyp samtidigt, blir det svårt att ta bort verktyget eller strömförsörjningen av ryggsäckstyp i händelse av nödfall, och detta kan orsaka olycka eller skada. Fråga Makitas auktoriserade servicecenter vilket upphängningsband som rekommenderas.

⚠ FÖRSIKTIGT: Använd alltid axelbandet som sitter fast på verktyget. Justera axelbandet efter användarens storlek före användning för att förhindra utmattninng.

⚠ FÖRSIKTIGT: Se till före användning att axelbandet sitter ordentligt fast på hängaren på verktyget.

⚠ FÖRSIKTIGT: Se till före drift att spännet på axelbandet är låst.

⚠ FÖRSIKTIGT: Använd alltid det axelband som sitter fast på verktyget. Använd inte andra axelband.

1. Sätt på axelbanden och fäst spännet.
► Fig.28: 1. Spänne

OBS: När du tar bort axelbandet, lås upp spännet och ta bort axelbandet.

2. Justera axelbanden till en bekväm arbetsposition.
► Fig.29
3. Spänn fast kroken på axelbanden på verktygets hängare.
► Fig.30: 1. Krok 2. Upphängningsanordning

Axelbandet har en snabbkoppling. Tryck bara på sidorna av spännet för att lösgöra axelbanden.

- Fig.31: 1. Spänne

Arbeta med verktyget

⚠ FÖRSIKTIGT: Håll bort sågkedjan från kroppen när motorn är igång.

⚠ FÖRSIKTIGT: Håll i verktyget ordentligt med båda händerna när motorn är igång.

⚠ FÖRSIKTIGT: Översträck inte. Stå alltid stabil och ha god balans hela tiden.

⚠ FÖRSIKTIGT: Var försiktig så att du inte tappar balansen när du klipper genom grenarna på grund av vikten på verktygshuvudet.

⚠ FÖRSIKTIGT: Ha alltid en flyktväg i händelse av att en skuren gren faller ner mot föraren.

⚠ FÖRSIKTIGT: Använd aldrig spetsen på svärdet för kapning. Annars kan ett farligt bakåtkast i handtaget uppstå vilket kan leda till personskada.

OBSERVERA: Kasta eller tappa inte verktyget.

OBSERVERA: Täck inte över verktygets ventilationshål.

OBSERVERA: Tryck inte hårt med verktyget. I annat fall kan verktyget ta skada.

Stå på en stabil yta och håll verktyget borta från grenarna så att verktygets vinkel blir 60° eller mindre mot den horisontella marken.

- Fig.32: 1. 60° eller mindre

Starta verktyget och tryck sedan sågkedjan lätt på grenen.

När du kapar långa grenar, kontrollera fallpositionen och dela upp och kapa grenen i sektioner från spetsen och in. Var uppmärksam på de fallande grenarna eftersom de kan stödas mot operatören efter att ha träffat marken.

- Fig.33

Gör först ett grunt snitt underifrån och genomför sedan sågningen uppifrån vid avsägning av tjocka grenar.

- Fig.34

Om du försöker såga av tjocka grenar underifrån kan grenen tränga in och klämma fast sågkedjan i snittet. Om du försöker såga av tjocka grenar ovanifrån utan att först lägga ett grunt snitt underifrån kan grenen flisas.

- Fig.35

Bära maskinen

Innan du bär verktyget ska du alltid ta bort batterikassetten från verktyget, sedan sätta fast svärdskyddet och därefter förkorta röret. Täck också batterikassetten med batteriskyddet.

- Fig.36: 1. Svärdskydd 2. Batterikåpa

Använda verktyget med det bärbara strömpaketet

Extra tillbehör

Använd upphängningsbandet när du använder verktyget med det bärbara strömpaketet.

Fästa upphängningsbandet

1. Fäst upphängningsbandets krokar på axelbandens eller midjebältets ringar enligt figuren. Välj den typ av band och kopplingsmetod som är lämplig för ditt användningsområde.

- Fig.37: 1. Ring 2. Krok

- Fig.38: 1. Ring 2. Krok

2. Sätt fast kroken på verktyget.

- Fig.39: 1. Krok

Ta loss verktyget

När du sätter ner verktyget låser du upp spännet på upphängningsbandet med en hand samtidigt som du håller verktyget med andra handen.

- Fig.40: 1. Spänne

OBS: Spännet finns kanske inte, beroende på typen av band.

Följ stegen nedan om du behöver släppa verktyget snabbt.

1. Tryck på spakarna på midjebältets spänne för att låsa upp det.

► **Fig.41:** 1. Spänne 2. Spak

2. Ta av axelbanden för att lossa verktyget och enheten.

► **Fig.42:** 1. Axelband

UNDERHÅLL

⚠ FÖRSIKTIGT: Se alltid till att maskinen är avstängd och batterikassetten borttagen innan inspektion eller underhåll utförs.

⚠ FÖRSIKTIGT: Använd alltid handskar vid kontroller och underhåll.

OBSERVERA: Använd inte bensin, förtunningsmedel, alkohol eller liknande. Missfärgning, deformation eller sprickor kan uppstå.

För att upprätthålla produktens SÄKERHET och TILLFÖRLITLIGHET bör allt underhålls- och justeringsarbete utföras av ett auktoriserat Makita servicecenter och med reservdelar från Makita.

Filning av sågkedja

Fila kedjan när:

- Du får spåndamm när du sågar i fuktigt trä.
- Kedjan har svårt att såga trots att du trycker hårt med sågen.
- Skärtänderna är synbart skadade.
- Sågen drar åt vänster eller höger i träet (Orsakas av att filningen av sågkedjan har blivit ojämn eller skadad på någon av sidorna.)

Fila sågkedjan lite men ofta. Två eller tre drag med filen är oftast tillräckligt vid rutinmässig filning. Lämnna sågkedjan för filning hos vårt auktoriserade servicecenter när du har filat om den många gånger.

Filningskriterier:

⚠ VARNING: Ett överdrivet avstånd mellan skäret och djupmätaren ökar risken för bakåtkast.

► **Fig.43:** 1. Såglängd 2. Avstånd mellan skärlängd och djupmätaren 3. Minsta skärlängd (3 mm)

- Alla skärtänder måste vara lika långa. Olika längd på skärtänderna förhindrar att kedjesågen går jämnt och kan leda till kedjebrott.
- Slipa inte en kedja vars skärtänder har en längd som är 3 mm eller mindre. Kedjan måste bytas mot en ny.
- Spåntjockleken bestäms av avståndet mellan underställningsklacken (rund nos) och skärtanden.
- Det bästa sågresultatet uppnås med följande höjdskillnad mellan skärtand och underställningsklack.
 - Kedjeblad 90PX : 0,65 mm
 - Kedjeblad 91PX : 0,65 mm

► **Fig.44**

- Filningsvinkeln ska vara 30° och måste vara densamma för alla skärtänder. Skillnader i vinkel får kedjan att löpa ryckigt och ojämnt, slitaget ökar och det leder till kedjebrott på kedjan.

- Använd en lämplig rundfil så att korrekt vinkel hålls på tänderna.

- Kedjeblad 90PX : 55°
- Kedjeblad 91PX : 55°

Fil och filningsanvisningar

- Fila kedjan med en specialrundfil (valfritt tillbehör) för sågkedjor. Använd inte standard rundfilar.

- Diametern för rundfilen för varje sågkedja är följande:

- Kedjeblad 90PX : 4,5 mm
- Kedjeblad 91PX : 4,0 mm

- Fila endast med skjutande tag. Lyft filen från skärtanden när du för filen bakåt.

- Fila den kortaste skärtanden först. Längden för den kortaste skärtanden blir standard för alla andra skärtänder på sågkedjan.

- För filen på det sätt som framgår av figuren.

► **Fig.45:** 1. Fil 2. Sågkedja

- Det går lättare att fila om en filmall (tillbehör) används. Filmallen har markeringar för rätt filningsvinkel 30° (rikta in markeringarna parallellt med sågkedjan), och begränsar filningsdjupet (till 4/5 av fildiametern).

► **Fig.46:** 1. Filhållare

- Kontrollera höjden på underställningsklacken med hjälp av specialverktyget (tillbehör) när kedjan är färdigfilad.

► **Fig.47**

- Ta bort eventuellt utskjutande material, avsett hur litet, med en speciell patffil (tillbehör).
- Runda av främre delen av underställningsklacken igen.

Rengöring av svärdet

Spån och damm kommer att sätta igen spåret i svärdet. De kan sätta igen spåret i svärdet och försämra oljeflödet. Rensa bort spån och damm varje gång när sågkedjan slipas eller byts ut.

► **Fig.48**

Rengöra kedjedrevskåpan

Spån och damm ackumuleras inne i kedjedrevskåpan. Ta bort kedjedrevskåpan och sågkedjan från verktyget och gör rent från spån och damm.

► **Fig.49**

Rengöring av oljematningshålet

Fint damm eller små partiklar kan byggas upp i oljematningshålet under användning. Detta damm eller små partiklar kan försämra flödet av oljematningen och orsaka otillräcklig smörjning av hela sågkedjan. När oljematningsflödet försämras på svärdspetsen ska oljematningshålet rengöras på följande sätt.

1. Ta bort kedjedrevskåpan och sågkedjan från maskinen.
2. Ta bort fint damm eller små partiklar med en spårskruvmejsel eller liknande.
► **Fig.50:** 1. Spårskruvmejsel 2. Oljematningshål
3. Sätt i batterikassetten i maskinen. Tryck in avtryckaren för att få bort damm eller partiklar som satt igen oljematningshålet genom att släppa ut kedjeolja.
4. Ta bort batterikassetten från maskinen. Sätt tillbaka kedjedrevskåpan och sågkedjan på maskinen.

Utbyte av kedjehjulet

⚠ FÖRSIKTIGT: Ett slitet kedjehjul försäkras skador på sågkedjan. Byt ut kedjehjulet om det är slitet.

Kontrollera konditionen på kedjehjulet innan en ny sågkedja monteras. Om kedjehjulet är skadat, kontakta ett auktoriserat Makita-servicecenter för utbyte.

► **Fig.51:** 1. Kedjehjul 2. Slitna områden

Instruktioner för periodiskt underhåll

För att garantera lång livslängd, förebygga skador och säkerställa att säkerhetsfunktionerna fungerar måste följande underhåll utföras regelbundet. Garanti lämnas endast om dessa arbeten utförs regelbundet och på föreskrivet sätt. Om det föreskrivna underhållet inte utförs kan allvarliga olyckor uppstå! Användaren av verktyget ska inte utföra underhållsarbeten som inte finns beskrivna i bruksanvisningen. Alla sådana arbeten ska utföras av ett auktoriserat servicecenter.

Kontrollera föremålet/ drifttiden		Före användning	Varje dag	Varje vecka	Var tredje månad	Varje år	Innan förvaring
Hela verktyget	Inspektion.	✓	-	-	-	-	-
	Rengöring.	-	✓	-	-	-	-
	Kontakta ett auktoriserat servicecenter.	-	-	-	-	✓	✓
Sågkedja	Inspektion.	✓	-	-	-	-	-
	Slipning vid behov.	-	-	-	-	-	✓
Svärd	Inspektion.	✓	✓	-	-	-	-
	Ta bort från verktyget.	-	-	-	-	-	✓
Kedjesmörjning	Kontrollera oljematningshastigheten.	✓	-	-	-	-	-
Avtryckare	Inspektion.	✓	-	-	-	-	-
Säkerhetsspärr	Inspektion.	✓	-	-	-	-	-
Oljetanklock	Kontrollera stramhet.	✓	-	-	-	-	-
Skrubar och muttrar	Inspektion.	-	-	✓	-	-	-

Förvara verktyget

1. Rengör maskinen innan förvaring. Ta bort spån och sågdamm från maskinen efter att kedjedrevskåpan är borttagen.
2. Kör maskinen utan belastning för att smörja sågkedjan och svärdet efter rengöringen.
3. Täck svärdet med svärdskyddet och förkorta sedan röret.
4. Töm oljetanken.

FELSÖKNING

Innan du ber om reparation ska du först utföra en egen kontroll. Om du hittar ett problem som inte finns förklarat i bruksanvisningen ska du inte försöka att ta isär maskinen. Fråga istället ett auktoriserad servicecenter för Makita, och använd alltid reservdelar från Makita för reparationer.

Felstatus	Orsak	Atgärd
Verktyget startar inte.	Batterikassetten är inte installerad.	Sätt i en laddad batterikasset.
	Batteriproblem (låg spänning).	Ladda upp batterikassetten. Om uppladdningen inte hjälper, byt ut batterikassetten.
	Strömbrytaren är från.	Verktyget stängs av automatiskt om den inte används under en viss tid. Aktivera strömbrytaren igen.
Motorn stannar efter en kort stunds användning.	Batterinivån är låg.	Ladda upp batterikassetten. Om uppladdningen inte hjälper, byt ut batterikassetten.
Ingen olja på kedjan.	Oljetanken är tom.	Fyll på oljetanken.
	oljekanalerna är smutsiga.	Gör rent spåren.
Verktyget når inte det maximala varvtalet.	Batterikassetten är felaktigt insatt.	Sätt dit batterikassetten enligt anvisningarna i denna bruksanvisning.
	Batterinivån sjunker.	Ladda upp batterikassetten. Om laddning inte hjälper byter du ut batterikassetten.
	Drivsystemet fungerar inte som det ska.	Fråga ett auktoriserat servicecenter i din region avseende reparation.
Lampan för nätspänning blinkar grönt.	Avtryckaren aktiveras vid oavsiktliga förhållanden.	Aktivera avtryckaren när strömbrytaren aktiverats.
Onormal vibration: Stoppa verktyget omedelbart!	Lossa svärdet eller kedjesågen.	Justera svärdet och kedjespänningen.
	Verktygsfel.	Fråga ett auktoriserat servicecenter i din region avseende reparation.
Sågkedjan kan inte monteras.	Kombinationen av sågkedja och kedjedrev är inte korrekt.	Använd den rätta kombinationen av sågkedja och kedjedrev med hjälp av avsnittet med specifikationer.

VALFRIA TILLBEHÖR

⚠ FÖRSIKTIGT: Följande tillbehör eller tillsatser rekommenderas för användning med den Makita-maskin som denna bruksanvisning avser. Om andra tillbehör eller tillsatser används kan det uppstå risk för personskador. Använd endast tillbehören eller tillsatserna för de syften de är avsedda för.

Kontakta ditt lokala Makita servicecenter om du behöver ytterligare information om dessa tillbehör.

- Sågkedja
- Svärd
- Svärdskydd
- Fil
- Makitas originalbatteri och laddare

⚠ VARNING: Om du köper ett svärd med en annan längd än standardsvärd måste du även köpa ett lämpligt svärdskydd. Det måste passa och helt täcka verktygets svärd.

OBS: Några av tillbehören i listan kan vara inkluderade i maskinpaketet som standardtillbehör. De kan variera mellan olika länder.

TEKNISKE DATA

Modell:		UA004G
Samlet lengde (uten føringsstang og batteri)		2 516 - 3 748 mm
Nominell spenning		DC 36 V – 40 V maks.
Nettovekt	*1	7,8 kg
	*2	7,8 - 9,1 kg
Standard sverdlengde		300 mm
Anbefalt sverdlengde	med 90PX	250 - 300 mm
	med 91PX	250 - 300 mm
Egnet sagkjedetype (se tabellen nedenfor)		90PX 91PX
Standard kjedehjul	Antall tenner	6
	Vinkel	3/8*
Kjedehastighet		0 - 20 m/s (0 - 1 200 m/min)
Volum kjedeoljetank		160 cm ³
Beskyttelsesgrad		IPX4

- På grunn av vårt kontinuerlige forsknings- og utviklingsprogram kan spesifikasjonene som oppgis i dette dokumentet endres uten varsel.
- Spesifikasjonene kan variere fra land til land.

*1: Vekt med det største batteriet og tom oljetank, uten sverd, kjede og skuldersele, i henhold til EN ISO11680-1.

*2: Den letteste og tyngste vektkombinasjonen i henhold til EPTA-prosedyre 01/2014. Vekten kan variere avhengig av tilbehør/tilbehørene, inkludert batteriet.

Passende batteri og lader

Batteriinnsets	BL4020 / BL4025 / BL4040* / BL4050F* / BL4080F* *: Anbefalt batteri
Lader	DC40RA / DC40RB / DC40RC

- Noen av batteriene og laderne som er opplistet ovenfor er kanskje ikke tilgjengelige, avhengig av hvor du bor.

⚠ ADVARSEL: Bruk kun de batteriene og laderne som er opplistet ovenfor. Bruk av andre batterier og ladere kan føre til personskader og/eller brann.

Anbefalt ledning koblet til strømkilde

Bærbar lader	PDC01 / PDC1200
--------------	-----------------

- De(n) ledningstilkoblede strømkilde(n)e som er oppgitt ovenfor er kanskje ikke tilgjengelige, avhengig av hvor du bor.
- Før du bruker de ledningstilkoblede strømkildene, må du lese instruksjons- og forsiktighetsskilt på dem.

Kombinasjonen sagkjede, sverd og kjedehjul





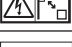






Sagkjedetype		90PX
Antall drivkjeder		46
Sverd	Sverdlengde	300 mm
	Skjærelengde	296 mm
	Vinkel	3/8*
	Måleinnetning	1,1 mm
	Type	Feste for kjedehjul
Kjedehjul	Antall tenner	6
	Vinkel	3/8*

Sagkjedetype		91PX
Antall drivkjeder		46
Sverd	Sverdlengde	300 mm
	Skjærelengde	296 mm
	Vinkel	3/8°
	Måleinretning	1,3 mm
	Type	Feste for kjedehjul
Kjedehjul	Antall tenner	6
	Vinkel	3/8°

⚠ ADVARSEL: Bruk riktig kombinasjon av sverd og sagkjede. Ellers kan det medføre alvorlige personskader.

Symboler

Nedenfor ser du symbolene som kan brukes for dette utstyret. Forviss deg om at du forstår hva de betyr, før du begynner å bruke maskinen.

	Les bruksanvisningen.
	Bruk hjelm, vernebriller og hørselsvern.
	Bruk vernehansker.
	Bruk robust fottey med såler som gir godt feste. Vernesko med stålkappe anbefales.
	Pass opp for elektriske ledninger, fare for elektrisk støt.
	Hold en avstand på minst 15 m.
	Maksimalt tillatt skjærelengde
	Kjedets rotasjonsretning
	Kjedefoljetank
	Varme overflater - brannskader på fingre og hender.
	Kun for EU-land På grunn av forekomst av farlige komponenter i utstyret, kan avfall fra elektrisk og elektronisk utstyr, akkumulatører og batterier ha en negativ innvirkning på miljøet og menneskers helse. Ikke kast elektriske og elektroniske apparater eller batterier sammen med husholdningsavfall! I samsvar med det europeiske direktivet om avfall fra elektrisk og elektronisk utstyr og om akkumulatører og batterier samt akkumulatører og batterier som skal kastes, samt deres tilpasning til nasjonal lovgivning, skal brukt elektrisk utstyr samt brukte batterier og akkumulatører samles inn separat og leveres til et eget innsamlingssted for kommunalt avfall, som driver virksomhet i samsvar med miljøvernforskriftene. Dette er angis av symbolet med den overkryssede avfallsbeholderen som er plassert på utstyret.



Garantert lydteffektivnivå i henhold til EU-direktivet om støy fra utstyr til utendørs bruk.



Lydteffektivnivå i henhold til Australia NSW støykontrollforskrift

Riktig bruk

Verktøyet er beregnet på beskæring av greiner og hovedgreiner.

Støy

Typisk A-vektet lydtryknivå er bestemt i henhold til ISO22868 (ISO11680-1):

Lydtryknivå (L_{pA}) : 90 dB (A)

Lydteffektivnivå (L_{WA}) : 105 dB (A)

Usikkerhet (K) : 3 dB (A)

MERK: Den/de oppgitte verdien(e) for genererte vibrasjoner har blitt målt i henhold til standard testmetoder, og kan bli brukt til å sammenligne ett verktøy med et annet.

MERK: Den/de angitte verdien(e) for de genererte vibrasjonene kan også brukes til en foreløpig vurdering av eksponeringen.

⚠ ADVARSEL: Bruk hørselsvern.

⚠ ADVARSEL: De genererte vibrasjonene ved faktisk bruk av elektroverktøyet kan avvike fra den/de angitte vibrasjonsverdien(e), avhengig av hvordan verktøyet brukes.

⚠ ADVARSEL: Sørg for å identifisere vernetiltak for å beskytte operatøren, som er basert på et estimat av eksponeringen under de faktiske bruksforholdene (idet det tas hensyn til alle deler av driftssyklusen, dvs. hvor lenge verktøyet er slått av, hvor lenge det går på tomgang og hvor lenge startbryteren faktisk holdes trykket).

Vibrasjoner

Venstre håndtak (frontgrep)		Høyre håndtak (bakre grep)		Gjeldende standard
ah (m/s ²)	Usikkerhet K (m/s ²)	ah (m/s ²)	Usikkerhet K (m/s ²)	
2,5	1,5	3,1	1,5	ISO22867(ISO11680-1)

MERK: Den/de oppgitte verdien(e) for totalt genererte vibrasjoner har blitt målt i henhold til standard testmetoder, og kan bli brukt til å sammenligne ett verktøy med et annet.

MERK: Den/de angitte verdien(e) for totalt genererte vibrasjoner kan også brukes til en foreløpig vurdering av eksponeringen.

⚠ ADVARSEL: De genererte vibrasjonene ved faktisk bruk av elektroverktøyet kan avvike fra den/de angitte vibrasjonsverdien(e), avhengig av hvordan verktøyet brukes og spesielt i forhold til arbeidsstykket som blir behandlet.

⚠ ADVARSEL: Sørg for å identifisere vernetiltak for å beskytte operatøren, som er basert på et estimat av eksponeringen under de faktiske bruksforholdene (idet det tas hensyn til alle deler av driftssyklusen, dvs. hvor lenge verktøyet er slått av, hvor lenge det går på tomgang og hvor lenge startbryteren faktisk holdes trykket).

EFs samsvarserklæring

Gjelder kun for land i Europa

EFs samsvarserklæring er lagt til som vedlegg A i denne bruksanvisningen.

SIKKERHETSADVARSEL

Generelle advarsler angående sikkerhet for elektroverktøy

⚠ ADVARSEL: Les alle sikkerhetsadvarsler, instruksjoner, illustrasjoner og spesifikasjoner som følger med dette elektroverktøyet. Hvis ikke alle instruksjonene nedenfor følges, kan det forekomme elektrisk støt, brann og/eller alvorlig skade.

Oppbevar alle advarsler og instruksjoner for senere bruk.

Uttrykket «elektrisk verktøy» i advarslene refererer både til elektriske verktøy (med ledning) tilkoblet strømmettet, og batteridrevne verktøy (uten ledning).

Sikkerhetsadvarsler for batteridrevet teleskopstangsag

Generelle forbehold

1. Les denne bruksanvisningen før du begynner å bruke verktøyet for å gjøre deg kjent med hvordan du håndterer verktøyet.
2. Du må ikke låne bort verktøyet til en person med utilstrekkelig erfaring i eller kunnskap om håndtering av verktøyet.
3. Ved utlån av verktøyet må du alltid legge ved denne bruksanvisningen.
4. La ikke barn eller personer under 18 år bruke verktøyet. Hold dem borte fra verktøyet.
5. Verktøyet må brukes med største forsiktighet og oppmerksomhet.

6. Du må aldri bruke verktøyet under påvirkning av alkohol eller legemidler eller hvis du er trøtt eller føler deg dårlig.
7. Du må aldri forsøke å modifisere verktøyet.
8. Ikke bruk verktøyet under dårlige værforhold, spesielt hvis det er fare for lyn. Dette reduserer faren for å bli truffet av lyn.
9. Nasjonale forskrifter kan begrense bruken av verktøyet. Følg gjeldende forskrifter for håndtering av verktøyet i landet ditt.

Personlig verneutstyr

1. Bruk sikkerhetshjelm, vernebriller og vernehansker for å beskytte deg selv mot flygende eller fallende gjenstander.
2. Bruk hørselsvern, f.eks. øreklokker, for å unngå hørselstap.
3. Bruk relevante klær og sko for sikkert arbeid, f.eks. arbeidsoverall og robuste, sklisikre sko. Ikke bruk løse klær eller smykker. Løse klær, smykker eller langt hår kan sette seg fast i bevegelige deler.
4. Bruk vernehansker når du håndterer sagkjedet eller justerer kjedets spenning. Sagkjedet kan føre til alvorlige kuttskader på ubeskyttede hender.

Sikkerhet på arbeidsplassen

1. Hold verktøyet minst 15 m unna strømledninger og kommunikasjonskabler (inkludert eventuelle greiner som er i kontakt med dem). Berører eller nærmer du deg en høyspentledning med verktøyet, kan det føre til død eller alvorlig personskade. Se opp for strømledninger og elektriske gjerder rundt arbeidsområdet før du starter.
2. Bruk verktøyet kun i dagslys og når sikten er god. Ikke bruk verktøyet i mørke eller tåke.
3. Du må aldri stå på ustøtt eller glatt underlag eller i en bratt skråning mens du arbeider. Vær oppmerksom på is og snø i den kalde årstiden, og sørg alltid for at du har sikkert fotfeste.
4. Andre personer eller dyr må holdes på minst 15 m avstand når verktøyet er i bruk. Stans verktøyet umiddelbart så snart noen nærmer seg.

5. Når to eller flere personer jobber sammen, skal de holde en avstand på minst 15 m mellom seg og være under oppsyn av en arbeidsleder.
6. Undersøk området med tanke på nettinggjerd-er, vegger og andre harde gjenstander før du begynner å bruke verktøyet. De kan ødelegge sagkjedet.

Klargjøring

1. Før du monterer eller justerer verktøyet, må du slå av verktøyet og fjerne batteriet.
2. Ta på vernehansker før du håndterer sagkjedet eller justerer kjedets spenning.
3. Kontroller verktøyet med tanke på skader, løse skruer/muttere eller feil montering før du starter verktøyet. Skjerp sløve sagkjeder. Hvis sagkjedet er bøyd eller ødelagt, må det skiftes ut. Kontroller at alle kontrollspaker og brytere lar seg enkelt betjene. Rengjør og tørk håndtakene.
4. Forsøk aldri å starte verktøyet hvis verktøyet er skadet eller ikke fullstendig montert. Det kan føre til alvorlig personskade.
5. Tilpass skuldereiselen slik at det passer til kroppen din.
6. Juster kjedets spenning nøye. Etterfyll kjede-olje ved behov.

Starte verktøyet

1. Ta på det personlige verneutstyret før du starter verktøyet.
2. Før du starter verktøyet, må du kontrollere at det ikke finnes personer eller dyr i arbeidsområdet.
3. Hold sagkjeden og sverdet borte fra kroppen din eller andre gjenstander, inkludert bakken, når du setter i batteriet. Sagkjedet kan bevege seg under oppstart og føre til alvorlig personskade eller skade på sagkjedet og/feller eiendom.
4. Plasser verktøyet på fast underlag. Sørg for at du er i balanse og har godt fotfeste.

Bruk

1. I et nødstilfelle skal verktøyet slås av øyeblikkelig.
2. Hvis du merker noe uvanlig (f.eks. støy, vibrasjon) under bruk, må du slå av verktøyet. Ikke bruk verktøyet før årsaken er funnet og rettet opp.
3. Sagkjedet fortsetter å bevege seg en kort stund etter at verktøyet er slått av. Ikke forhast deg med å ta på sagkjedet.
4. Bruk skuldereiselen under utføring av arbeidet. Hold verktøyet i et fast grep på din høyre side.
5. Hold det fremre håndtaket med venstre hånd og det bakre håndtaket med høyre hånd, uansett om du er høyre- eller venstrehendt. Hold fingrene og tommelen rundt håndtakene.
6. Hold verktøyet kun i de isolerte gripflatene, ettersom sagkjedet kan komme i kontakt med skjulte ledninger. Et sagkjede som kommer i kontakt med en strømførende ledning, vil også gjøre uisolerte metalldele på hagesaksen med ekstra stor rekkevidde strømførende, og kan gi deg elektrisk støt.

7. Forsøk aldri å bruke verktøyet med én hånd. Hvis du mister kontrollen, kan det føre til alvorlig personskade eller dødsfall. For å redusere risikoen for personskade, må du holde hender og føtter unna sagkjedet.
8. Ikke strekk deg for langt. Pass alltid på at du holder balansen, og har godt fotfeste. Se opp for skjulte gjenstander, for eksempel trestubber, røtter og grofter, for å unngå at du snubler. Rydd vekk greiner og andre gjenstander.
9. Du må aldri arbeide fra et tre eller en stige, ettersom dette kan føre til at du mister kontrollen.
10. Hvis utstyret blir utsatt for kraftige støt eller fall, må du kontrollere tilstanden før du fortsetter arbeidet. Hvis du er i tvil om verktøyet er skadet, kan du kontakte Makitas autoriserte servicecenter for inspeksjon og reparasjon.
11. Ikke ta på verktøyets hode. Verktøyets hodet blir varm under bruk.
12. Ta pauser for å unngå at du mister kontrollen på grunn av tretthet. Vi anbefaler at du tar en pause på 10 til 20 minutter hver time.
13. Du må alltid slå av verktøyet og ta ut batteriet når du forlater verktøyet, selv for et kort tidsrom. Et verktøy som er slått på og ikke er under oppsikt, kan bli brukt av ikke-autoriserte personer og forårsake en alvorlig ulykke.
14. Når du bruker verktøyet, må du ikke løfte høyre hånd over skulderhøyde.
15. Du må aldri slå sagkjedet mot harde gjenstander som steiner og spiker mens det er i bruk. Vær ekstra forsiktig når du kutter greiner ved siden av vegger, nettinggjerd eller lignende.
16. Hvis greiner setter seg fast i verktøyet, må du alltid stanse verktøyet og ta ut batteriet. Ellers kan utilsiktet start føre til alvorlig personskade.
17. Hvis sagkjedet blir tilstoppet, må du alltid slå av verktøyet og ta ut batteriet før du gjør det rent.
18. Hvis du øker verktøyets hastighet mens sagkjeden er blokkert, vil det øke belastningen og skade verktøyet.
19. Før du kutter kvister og greiner, må du sørge for at det er et rømningsvei bort fra der de vil falle ned. Først fjerner du hindringer som hovedgreiner og greiner fra arbeidsområdet. Flytt alt verktøy og annet utstyr fra rømningsveien til et annet trygt sted.
20. Før du kutter greiner og hovedgreiner, må du kontrollere fallretningen, og ta hensyn til tilstanden til hovedgreiner og kvister, tilgrensende trær, vindretning, osv. Konsentrer deg om fallretningen og muligheten for at greinen som treffer bakken kan sprette tilbake.
21. Du må aldri holde verktøyet i en vinkel på mer enn 60°. Fallende gjenstander kan treffe deg og forårsake alvorlig personskade. Du må aldri stå under hovedgreinen som kuttes.
22. Vær oppmerksom på knekte eller bøyd greiner. De kan sprette tilbake under kutting og forårsake uventet personskade.
23. Før du kutter hovedgreiner, skal du fjerne greiner og løv rundt dem. Ellers kan sagkjedet sette seg fast i dem.

24. Ikke slipp spaken før du trekker sagkjedet ut av sagsnittet, ettersom det kan føre til at sagkjedet setter seg fast i sagsnittet.
25. Hvis sagkjedet hekter seg i sagsnittet, må du stanse verktøyet umiddelbart, bevege forsiktig på greinen for å åpne sagsnittet og frigjøre sagkjedet.
26. Unngå tilbakeslag (roterende reaksjonskraft mot deg). Tilbakeslag unngås ved aldri å bruke spissen på sverdet eller utføre et penetrerende kutt. Vær alltid oppmerksom på posisjonen til spissen på sverdet.
27. Kontroller kjedets spenning ofte. Når du kontrollerer eller justerer kjedets spenning, må du slå av verktøyet og fjerne batteriet. Ved lav spenning, må du stramme kjedet.
28. Når du bruker verktøyet på gjørmete underlag, i våte bakker eller på glatte steder, må du passe på at du ikke mister fotfestet.
29. Ikke senk Verktøy ned i en vann.
30. Ikke etterlat verktøyet uten oppsyn utendørs når det regner.

Transport

1. Før du transporterer verktøyet, må du slå av verktøyet og fjerne batteriet. Sett alltid på sverddekselet under transport.
2. Når verktøyet transporteres, må du bære det i horisontal stilling ved å holde i håndtaket.

Vedlikehold

1. Sørg for at vårt autoriserte servicesenter utfører service på utstyret og at det alltid brukes kun originale reservedeler. Feil reparasjon og dårlig vedlikehold kan forkorte levetiden til verktøyet og øke risikoen for ulykker.
2. Før du utfører vedlikehold eller reparasjoner eller rengjør verktøyet, må du alltid slå av verktøyet og fjerne batteriet. Vent til verktøyet har kjølt seg ned.
3. Du må alltid bruke vernehansker når du håndterer sagkjedet.
4. Etter hvert bruk må du trekke til alle skruer og muttere, unntatt justeringsskruer.
5. Hold sagkjedet skjerpet. Hvis sagkjedet har blitt sløvt og ikke kutter godt nok, kan du be Makitas autoriserte servicesenter om å skjerpe det eller erstatte det med et nytt.
6. Ikke prøv å utføre vedlikehold eller reparasjoner som ikke beskrives i denne bruksanvisningen. Kontakt Makitas autoriserte servicesenter for slikt arbeid.
7. Bruk alltid kun originale tilbehørs- og reservedeler fra Makita. Hvis du bruker deler og tilbehør fra tredjepart, kan dette resultere i svikt av verktøyet, ødeleggelse av eiendom og/eller alvorlig personskade.

Oppbevaring

1. Utfør fullstendig rengjøring og vedlikehold av verktøyet før det legges til oppbevaring. Sett på sverddekselet. Fjern batteriet. Tapp ut kje-deoljen når verktøyet har kjølt seg ned.
2. Oppbevar verktøyet på et tørt og høyt eller låst sted som er utilgjengelig for barn.

3. Ikke len verktøyet opp mot noe, for eksempel en vegg. Ellers kan det føre til at det plutselig faller og kan forårsake personskade.
4. Ved oppbevaring av verktøyet må du unngå direkte sollys og regn, og den skal oppbevares på et sted som ikke blir varmt eller fuktig.

Elektrisk sikkerhet og batterisikkerhet

1. Ikke kast batteriet (batteriene) på åpen ild. Cellen kan eksplodere. Batterier skal leveres til en forhandler av elektroutstyr eller til et kommunalt avfallsmottak.
2. Ikke åpne eller ødelegg batteriet (batteriene). Elektrolytt som lekker ut er korroderende, og kan forårsake skader på øyne og hud. Den kan være giftig hvis den svelges.
3. Ikke skift batteri når det regner, eller i fuktige omgivelser.
4. Ikke lad batteriet utendørs.
5. Ikke håndter laderen, inkludert laderstøpselet og laderterminalene, med våte hender.
6. Unngå farlige omgivelser. Ikke bruk verktøyet i fuktige eller våte omgivelser, og ikke utsett det for regn. Hvis det kommer vann inn i verktøyet, vil risikoen for elektriske støt øke.
7. Ikke skift ut batteriet når det regner.

TA VARE PÅ DISSE INSTRUKSENE.

⚠ ADVARSEL: IKKE LA hsynet til hva som er "behagelig" eller det faktum at du kjenner produktet godt (etter mange gangers bruk) gjøre deg mindre oppmerksom på sikkerhetsreglene for bruken av det aktuelle produktet. Ved MISBRUK eller hvis ikke sikkerhetsreglene i denne bruksanvisningen følges, kan det oppstå alvorlig personskade.

Viktige sikkerhetsanvisninger for batteriinnsats

1. Før du begynner å bruke batteriet, må du lese alle anvisninger og forsiktighetsregler på (1) batteriladeren, (2) batteriet og (3) det produktet batteriet skal brukes i.
2. Ikke demonter eller tukle batteriet. Det kan føre til brann, overoppheting eller eksplosjon.
3. Hvis driftstiden er blitt vesentlig kortere, må du omgående slutte å bruke maskinen. Hvis ikke kan resultatet bli overoppheting, mulige forbrenninger eller til og med en eksplosjon.
4. Hvis du får elektrolytt i øynene, må du skylle dem med store mengder rennende vann og oppsøke lege med én gang. Denne typen uhell kan føre til varig blindhet.
5. Ikke kortslutt batteriet:
 - (1) De kan være ekstremt varme og du kan brenne deg.
 - (2) Ikke lagre batteriet i samme beholder som andre metallgjenstander, som for eksempel spiker, mynter osv.
 - (3) Ikke la batteriet komme i kontakt med vann eller regn.

En kortslutning av batteriet kan føre til et kraftig strømstøt, overoppvarming, mulige forbrenninger og til og med til at batteriet går i stykker.

6. Ikke oppbevar og bruk verktøyet og batteriet på steder hvor temperaturen kan komme opp eller overskride 50 °C.
7. Ikke sett fyr på batteriet, ikke engang om det er sterkt skadet eller helt utslitt. Batteriet kan eksplodere hvis det begynner å brenne.
8. Du må ikke spikre, skjære, klemme, kaste eller miste batteriet, og heller ikke slå en hard gjenstand mot batteriet. En slik oppførsel kan føre til brann, overoppheting eller eksplosjon.
9. Ikke bruk batterier som er skadet.
10. Lithium-ion-batteriene som medfølger er gjenstand for krav om spesialavfall. For kommersiell transport, f.eks av tredjeparter eller speditorer, må spesielle krav om pakking og merking følges. Før varen blir sendt, må du forhøre deg med en ekspert på farlig materiale. Ta også hensyn til muligheten for mer detaljerte nasjonale bestemmelser. Bruk teip eller maskeringsteip for å skjule åpne kontakter og pakk inn batteriet på en slik måte at den ikke kan bevege seg rundt i emballasjen.
11. Når du kasserer batteriinnsetningen, må du ta den ut av verktøyet og avhende den på et sikkert sted. Følg lokale bestemmelser for avhending av batterier.
12. Bruk batteriene kun med produkter spesifisert av Makita. Montere batteriene i produkter som ikke er konforme kan føre til brann, overheting eller elektrolyttlekkasje.
13. Hvis verktøyet ikke skal brukes over en lengre periode, må batteriet tas ut av verktøyet.
14. Under og etter bruk kan batteriet bli varmt og før til brannskader. Vær forsiktig med håndteringen av varme batterier.

15. Ikke berører terminalen på verktøyet rett etter bruk, da den kan bli varm og forårsake brannskader.
16. Ikke la spon, støv eller jord sette seg fast i terminalene, hullene og sporene i batteriet. Det kan føre til at batteriet eller verktøyet blir overopphetet, begynner å brenne, sprekker eller ikke fungerer som det skal, og forårsake brannskader eller personskade.
17. Med mindre verktøyet støtter bruk nær en høyspent strømlinje, skal ikke batteriet brukes nær en høyspent strømlinje. Det kan føre til en funksjonsfeil eller at verktøyet eller batteriet slutter å fungere.
18. Oppbevar batteriet utilgjengelig for barn.

TA VARE PÅ DISSE INSTRUKSENE.

⚠FORSIKTIG: Bruk kun originale Makita-batterier. Bruk av batterier som har endret seg, eller som ikke er originale Makita-batterier, kan føre til at batteriet sprekker og forårsaker brann, personskader og andre skader. Det vil også ugyldiggjøre garantien for Makita-verktøyet og -laderen.

Tips for å opprettholde maksimal batterilevetid

1. Lad batteriinnsetningen før den er helt utladet. Stopp alltid driften av verktøyet og lad batteriinnsetningen når du merker at effekten reduseres.
2. Lad aldri en batteriinnsetning som er fulladet. Overopplading forkorter batteriets levetid.
3. Lad batteriet i romtemperatur ved 10 °C - 40 °C. Et varmt batteri må kjøles ned før lading.
4. Når batteriet ikke er i bruk, skal det tas ut av verktøyet eller laderen.
5. Lad batteriet hvis det ikke har vært brukt på en lang stund (over seks måneder).

DELEBESKRIVELSE

► Fig.1

1	Strømlampe	2	Strømbryter	3	Oppheng
4	Av-sperreknapp	5	Batteriinnsetning	6	Startbryter
7	Bakre håndtak	8	Sagkjede	9	Sverd
10	Oljetanklokk	11	Låsring	12	Festemutter
13	Justeringssskrue for kjedet	14	Sverddeksel	15	Fremre håndtak

FUNKSJONSBEKRIVELSE

⚠️FORSIKTIG: Forviss deg alltid om at maskinen er slått av og batteriet tatt ut før du justerer maskinen eller kontrollerer dens mekaniske funksjoner.

Sette inn eller ta ut batteri

⚠️FORSIKTIG: Slå alltid av verktøyet før du setter inn eller fjerner batteriet.

⚠️FORSIKTIG: Hold verktøyet og batteripatronen i et fast grep når du monterer eller fjerner batteripatronen. Hvis du ikke holder verktøyet og batteripatronen godt fast, kan du miste grepet, og dette kan føre til skader på verktøyet og batteripatronen samt personskader.

► **Fig. 2:** 1. Rød indikator 2. Knapp 3. Batteriinnsetts

For å ta ut batteriet må du skyve på knappen foran på batteriet og trekke det ut.

Når du skal sette inn batteriet, må du plassere tungen på batteriet på linje med sporet i huset og skyve batteriet på plass. Skyv det helt inn til det går i inngrep med et lite klikk. Hvis du kan se den røde indikatoren som vist i figuren, er det ikke helt låst.

⚠️FORSIKTIG: Batteriet må alltid settes helt inn, så langt at den røde indikatoren ikke lenger er synlig. Hvis dette ikke gjøres, kan batteriet falle ut av verktøyet og skade deg eller andre som oppholder seg i nærheten.

⚠️FORSIKTIG: Ikke bruk makt når du setter i batteriet. Hvis batteriet ikke glir lett inn, er det fordi det ikke settes inn på riktig måte.

Indikere gjenværende batterikapasitet

Trykk på sjekk-knappen på batteriet for vise gjenværende batterikapasitet. Indikatorlampene lyser i et par sekunder.

► **Fig. 3:** 1. Indikatorlamper 2. Kontrollknapp

Indikatorlamper			Gjenværende batterinivå
Tent	Av	Bliker	
			75 % til 100 %
			50 % til 75 %
			25 % til 50 %
			0 % til 25 %
			Lad batteriet.
			Batteriet kan ha en feil.

MERK: Det angitte nivået kan avvike noe fra den faktiske kapasiteten alt etter bruksforholdene og den omgivende temperaturen.

MERK: Den første (helt til venstre) indikatorlampen vil blinke når batterivernsystemet fungerer.

Batterivernsystem for verktøy/batteri

Verktøyet er utstyrt med et batterivernsystem for verktøy/batteri. Dette systemet kutter automatisk strømmen til motoren for å forlenge verktøyet og batteriets levetid. Verktøyet stopper automatisk under drift hvis verktøyet ble overbelastet for en av følgende tilstander:

Overlastsikring

Når batteriet brukes på en måte som gjør at det bruker unormalt mye strøm, vil verktøyet stoppe automatisk, og strømlampen blinker grønt. Hvis dette skjer, må du slå av verktøyet og avslutte bruken som forårsaket at verktøyet ble overbelastet. Slå deretter verktøyet på for å starte det igjen.

Overopphetingsvern

Når verktøyet eller batteriet er overopphetet, stanser verktøyet automatisk, og strømlampen lyser rødt. I dette tilfellet lar du verktøyet og batteriet avkjøles før du starter verktøyet på nytt.

MERK: Overopphetingsvernet vil sannsynligvis fungere i omgivelser med høye temperaturer.

Overutladingsvern

Når batterikapasiteten blir utilstrekkelig, stopper verktøyet automatisk og strømlampen blinker rødt. Da fjerner du batteriet fra verktøyet og lader det.

Vern mot andre årsaker

Vernsystemet er også laget for beskyttelse mot andre ting som kan skade verktøyet og gjøre at det stanser automatisk. Gå gjennom alle de følgende trinnene for å fjerne årsakene til at verktøyet har stanset midlertidig mens det er i drift.

1. Slå av verktøyet, og slå det deretter på igjen for å starte det på nytt.
2. Lad opp batteriene eller skift dem ut med oppladde batterier.
3. La maskinen og batteriene avkjøles.

Hvis det ikke blir noen forbedring ved at verne-systemet gjenopprettes, tar du kontakt med det lokale Makita-servicesenteret.

Strømbryter

⚠ ADVARSEL: Pass på å slå av strømbryteren når den ikke er i bruk.

For å slå på verktøyet, trykker du på strømbryteren. For å slå av, trykker du på strømbryteren igjen.

► **Fig.4:** 1. Strømlampe 2. Strømbryter

MERK: Strømlampen blinker grønt når du slår på strømbryteren mens du holder nede AV-sperrehendelen og drar i startbryteren. I så fall slipper du startbryteren og AV-sperrehendelen, og deretter slår du på strømbryteren.

MERK: Dette verktøyet bruker automatisk utkobling. For å unngå utilsiktet oppstart, vil hovedstrømbryteren slås av automatisk når du ikke trekker i startbryteren løpet av en viss tidsperiode etter at hovedstrømbryteren er slått på.

Bryterfunksjon

⚠ ADVARSEL: Av hensyn til din sikkerhet er denne maskinen utstyrt med en AV-sperrehendel som forhindrer utilsiktet start av maskinen.

Maskinen må **ALDRI** brukes hvis den starter når du trykker på startbryteren uten at du også må trykke på AV-sperrehendelen. Returner maskinen til et autorisert servicesenter for å få den reparert **FØR** videre bruk.

⚠ ADVARSEL: AV-sperrehendelen må **ALDRI** holdes inne med tape, og den må **ALDRI** settes ut av funksjon.

⚠ FORSIKTIG: Før du setter batteriet inn i maskinen, må du alltid kontrollere at startbryteren aktiverer maskinen på riktig måte og går tilbake til «AV»-stilling når den slippes.

OBS: Ikke trykk hardt på utløseren uten å trykke på AV-sperrehendelen. Dette kan få bryteren til å brekke.

For å hindre at startbryteren betjenes ved et uhell, er verktøyet utstyrt med en AV-sperrehendel. Trykk inn AV-sperrehendelen og trykk på startbryteren for å starte verktøyet. Turtallet til verktøyet økes når du drar hardere i startbryteren. Slipp startbryteren for å stanse verktøyet.

► **Fig.5:** 1. Startbryter 2. AV-sperreknapp

Justere rørlengden

Når du skal forlenge eller forkorte røret, løsner du låseringen ved å dreie låseringen mot klokken, justere lengden på røret og deretter trekke til ringen ved å dreie låseringen med klokken.

► **Fig.6:** 1. Låsering 2. Rør

MONTERING

⚠ FORSIKTIG: Forviss deg alltid om at maskinen er slått av og batteriet tatt ut før du utfører noe arbeid på maskinen.

⚠ FORSIKTIG: Ikke ta på sagkjedet med bare hender. Bruk alltid hansker når du håndterer sagkjedet.

Montere verktøyet

1. Ta 2 deksler av røret og 1 deksel av hodet på verktøyet.

► **Fig.7:** 1. Deksel 2. Rør 3. Hode på verktøy

2. Løsne 3 bolter, og fjern deretter 1 bolt ved hjelp av sekskantnøkkelen.

► **Fig.8:** 1. Bolt

3. Sett røret helt inn i verktøykroppen, og innrett deretter hullet på røret med hullet på verktøykroppen.

► **Fig.9:** 1. Hull 2. Rør

4. Trekk til 3 bolter med sekskantnøkkelen.

► **Fig.10:** 1. Bolt

5. Løsne 2 bolter, og fjern deretter 1 bolt.

► **Fig.11:** 1. Bolt

6. Løsne låseringen ved å dreie låseringen mot klokken, forleng røret ca. 10 cm eller mer, og trekk deretter til låseringen ved å dreie låseringen med klokken.

► **Fig.12:** 1. Låsering 2. 10 cm eller mer 3. Rør

7. Sett røret helt inn i hodet på verktøyet, og innrett deretter hullet på røret med hullet på hodet på verktøyet.

► **Fig.13:** 1. Hull 2. Rør

8. Trekk til 2 bolter med sekskantnøkkelen.

► **Fig.14:** 1. Bolt

Montere eller fjerne sagkjedet

⚠ FORSIKTIG: Sagkjedet og sverdet er fortsatt varme etter bruk. La de avkjøles tilstrekkelig før du utfører arbeid på verktøyet.

⚠ FORSIKTIG: Utfør prosedyren for montering eller avmontering av sagkjedet på et rent sted uten sagmugg o.l.

Montere sagkjedet

Bruk følgende trinn for å montere sagkjedet:

1. Løsne justeringsskruen til kjedet, og så festemutteren.

► **Fig.15:** 1. Festemutter 2. Justeringsskrue for kjedet 3. Kjedehjuldeksel

2. Ta av kjedehjuldekslet.

3. Kontroller retningen til sagkjedet. Rett inn retningen av sagkjedet med merket på verktøykroppen.

► **Fig.16:** 1. Merke på motorsagen

4. Fest den ene enden av sagkjedet på toppen av sverdet. Fest den andre enden av sagkjedet rundt kjedehjulet. Kontroller at sagkjedet er satt riktig på kjedehjulet og sitter riktig i sporet på sverdet.

5. Fest sverdet til verktøykroppen, og innrett hullet på sverdet med splinten på verktøykroppen.

► **Fig.17:** 1. Hull 2. Kjedehjul

6. Sett fremspringet på kjedehjuldekselet inn i verktøykroppen, og lukk deretter dekselet slik at bolter og splinten på verktøykroppen treffer motpartene på dekselet.

► **Fig.18:** 1. Kjedehjuldekselet 2. Fremspring 3. Bolt 4. Splint

7. Stram festemutteren for å sikre dekselet til kjedehjulet og løsne den litt for strammingsjustering.

► **Fig.19:** 1. Festemutter

Når sagkjedet er montert, justerer du strammingen av sagkjedet ved å bruke delen om justering av sagkjede til referanse.

Fjerne sagkjedet

Bruk følgende trinn for å ta av sagkjedet:

1. Løsne justeringsskruen til kjedet, og så festemutteren.

► **Fig.20:** 1. Festemutter 2. Justeringsskrue for kjedet

2. Ta av kjedehjuldekselet, og deretter tar du sagkjedet og sverdet av verktøykroppen.

Justere strammingen av sagkjedet

⚠FORSIKTIG: Unngå at sagkjedet strammes for hardt. Altfor kraftig stramming av sagkjedet kan forårsake brudd på sagkjedet og slitasje på sverdet.

⚠FORSIKTIG: Et kjede som er for løst kan hoppe av sverdet, og utgjør derfor en ulykke med personskade.

Sagkjedet kan bli løsere etter mange timers bruk. Fra tid til annen må du kontrollere strammingen av sagkjedet før bruk.

1. Løsne festemutteren noe for å løsne kjedehjulbeskyttelsen litt.

► **Fig.21:** 1. Festemutter

2. Løft enden på sverdet litt oppover, og juster kjedestrømningen. Skru kjedestruer mot klokken for å stramme, og dreie den med klokken for å løsne.

Stram sagkjedet inntil den nedre delen av sagkjedet passer inn i sporet på sverdet, som illustrert.

► **Fig.22:** 1. Sverd 2. Sagkjede 3. Justeringsskrue for kjedet

3. Hold lett i sverdet, og fest kjedehjuldekselet.

Pass på at sagkjedet ikke løsner på nedsiden.

4. Stram festemutteren for å sikre kjedehjuldekselet.

► **Fig.23:** 1. Festemutter

BRUK

Smøring

OBS: Når du fyller kjedeolje for første gang, eller når du fyller tanken etter at den har vært kjørt helt tom, må du fylle på olje til nederst på påfyllingsstussen. Ellers kan oljetilførselen bli for dårlig.

OBS: Bruk kjedeolje som er spesiallaget for motorsager fra Makita, eller tilsvarende olje som er tilgjengelig på markedet.

OBS: Du må aldri bruke olje som inneholder støv og partikler eller flyktig olje.

OBS: Bruk botanisk olje ved beskjæring av trær. Mineralolje kan skade trærne.

OBS: Før du sager må du passe på at det medfølgende oljetankklokke er skrudd godt på.

Sagkjedet smøres automatisk når verktøyet er i bruk. Kontroller jevnlig hvor mye olje som er igjen i tanken.

► **Fig.24:** 1. Oljetank

Når du skal etterfylle tanken, plasserer du verktøyet på et flatt underlag, trykker på knappen på oljetankklokke slik at knappen på den andre siden stikker ut, og deretter tar du av oljetankklokke ved å dreie det.

Riktig oljemengde er 160 ml. Etter at du har fylt opp tanken må du passe på at oljetankklokke er skrudd ordentlig på.

► **Fig.25:** 1. Oljetank 2. Stramme 3. Løsne

MERK: Hvis det er vanskelig å ta av oljetankklokke, setter du stjernene inn i sporet i oljetankklokke, og deretter tar du av oljetankklokke ved å dreie det mot klokken.

► **Fig.26:** 1. Spor 2. Stjernenøkkel

Hold verktøyet slik at det vender bort fra treet etter etterfylling. Start det, og vent til sagkjedet er passe smurt.

► **Fig.27**

Feste skulderselen

⚠FORSIKTIG: Når du bruker verktøyet i kombinasjon med strømforsyningen av ryggsekktype, f.eks. bærbar lader, må du ikke bruke skulderselen som følger med i verktøypakken, men bruke den hengende stroppen som Makita anbefaler.

Hvis du tar på deg skulderselen som er inkludert i verktøypakken og skulderselen til strømforsyningen av ryggsekktype samtidig, er det vanskelig å ta av verktøyet eller strømforsyningen av ryggsekktype i et nødstilfelle, og det kan føre til en ulykke eller personskade. Be et servicesenter anbefal av Makita om råd angående anbefalte hengende stropper.

⚠FORSIKTIG: Alltid bruk skulderselen som er festet på verktøyet. Før bruk justerer du skulderselen etter brukerens størrelse for å hindre at du blir sliten.

⚠FORSIKTIG: Før bruk må du se til at skulderselen sitter godt festet på opphenget til verktøyet.

⚠FORSIKTIG: Før bruk må du kontrollere at spennen på skulderselen er godt festet.

⚠FORSIKTIG: Du må alltid bruke skulderselen som er beregnet på dette verktøyet. Ikke bruk andre skulderseler.

1. Ta på skulderstroppen og fest spennen.
▶ Fig.28: 1. Spenne

MERK: Når du tar av skulderselen, må du låse opp spennen før du tar av skulderselen.

2. Juster skulderstroppen til en behagelig arbeidsposisjon.
▶ Fig.29
3. Klem kroken til skulderselen på verktøyets oppheng.
▶ Fig.30: 1. Krok 2. Oppheng

Skulderselen har en hurtigutløser. Trykk på sidene av spennen for å frigjøre skulderselen.

- ▶ Fig.31: 1. Spenne

Jobbe med verktøyet

⚠FORSIKTIG: Hold alle kroppsdeler vekk fra sagkjedet når motoren går.

⚠FORSIKTIG: Hold verktøyet godt fast med begge hender når motoren svinger.

⚠FORSIKTIG: Ikke strekk deg for langt. Pass alltid på at du holder balansen og har godt fotfeste.

⚠FORSIKTIG: Når du kutter gjennom greiner, må du passe på at du ikke mister balansen på grunn av verktøyhodets vekt.

⚠FORSIKTIG: Ha alltid en rømningsvei klar i tilfelle en grein faller mot deg.

⚠FORSIKTIG: Du må aldri kutte med spissen på sverdet. Det kan føre til farlige tilbakeslag som igjen kan føre til personskade.

OBS: Du må aldri kaste, eller slippe ned verktøyet.

OBS: Ikke tildekk ventilene på verktøyet.

OBS: Ikke bruk makt på verktøyet. Det kan skade verktøyet.

Stå på et stabilt underlag, og hold verktøyet bort fra greinene slik at verktøyets vinkel blir på 60° eller mindre mot den horisontale bakken.

- ▶ Fig.32: 1. 60° eller mindre

Start verktøyet, og trykk deretter sagkjedet lett mot greinen.

Når du kutter lange greiner, styrer du fallretningen på kuttede greiner ved å dele greinen inn i stykker og kutte greinen fra ytterst og innover. Vær oppmerksom på fallende greiner, ettersom de kan sprette mot deg etter å ha truffet bakken.

- ▶ Fig.33

Når du sager tykke greiner, må du først lage et overfladisk snitt fra undersiden og sluttsnittet fra toppen.

- ▶ Fig.34

Hvis du prøver å kutte tykke greiner nedenfra, kan greinen trekke seg sammen rundt sagkjedet i snittet slik at den setter seg fast. Hvis du prøver å kutte tykke greiner ovenfra uten et overfladisk snitt fra undersiden, kan greinen splintres.

- ▶ Fig.35

Bærbart verktøy

Før du bærer verktøyet, må du alltid fjerne batteriet fra verktøyet, sette på sverddekselet og deretter forkorte røret. Dekk også batteriet med batteridekselet.

- ▶ Fig.36: 1. Sverddeksel 2. Batterideksel

Bruke verktøyet med bærbar lader

Valgfritt tilbehør

Bruk den hengende stroppen når du bruker verktøyet med bærbar lader.

Feste den hengende stroppen

1. Fest krokene på det hengende båndet i ringene av skulderstroppen eller på beltet, som vist i figuren. Velg den typen stropp og festemetode som egner seg til ditt bruk.

- ▶ Fig.37: 1. Skive 2. Krok

- ▶ Fig.38: 1. Skive 2. Krok

2. Fest kroken på verktøyet.

- ▶ Fig.39: 1. Krok

Løsne verktøyet

Når du setter ned verktøyet, må du låse opp spennen på den hengende stroppen med den ene hånden mens du holder verktøyet med den andre hånden.

- ▶ Fig.40: 1. Spenne

MERK: Om det er en beltespenne eller ikke avhenger av typen stropp.

Hvis du har behov for å frigjøre verktøyet raskt, gjør du som beskrevet nedenfor.

1. Skyv på hendlene på beltespennen for å låse opp spennen.

► **Fig.41:** 1. Spenne 2. Hendel

2. Ta av skulderstroppen for å frigjøre verktøyet og enheten.

► **Fig.42:** 1. Skuldersele

VEDLIKEHOLD

⚠FORSIKTIG: Forviss deg alltid om at maskinen er slått av og batteriet tatt ut før du foretar inspeksjon eller vedlikehold.

⚠FORSIKTIG: Bruk alltid hansker når du utfører inspeksjon eller vedlikehold.

OBS: Aldri bruk gasolin, bensin, tynner alkohol eller lignende. Det kan føre til misfarging, deformering eller sprekkdannelse.

For å opprettholde produktets SIKKERHET og PÅLITELIGHET, må reparasjoner, vedlikehold og justeringer utføres av autoriserte Makita servicesentre eller fabrikkservicesentre, og det må alltid brukes reservedeler fra Makita.

Slipe sagkjedet

Slip sagkjedet når:

- Det dannes melaktig sagflis når du sager i vått tre
- Kjedet har problemer med å trenge gjennom treet, selv når du legger kraftig press på sagen
- Snittkanten er synlig skadet
- Årsaken til denne oppførselen er ujevn sliping av sagkjedet, eller at den ene siden av det er skadet (forårsaket av ujevn sliping av sagkjedet eller bare skade på den ene siden).

Slip sagkjedet hyppig, men bare litt hver gang. To eller tre strøk med en fil er vanligvis nok ved rutinemessig sliping. Når sagkjedet er blitt slipt om igjen flere ganger, bør du få det slipt hos et av våre godkjente servicesentre.

Slipekriterier:

⚠ADVARSEL: For stor avstand mellom snittkanten og dybdemåleren øker risikoen for tilbakeslag.

► **Fig.43:** 1. Tannlengde 2. Avstand mellom snittkanten og dybdemåler 3. Minimum skjærelengde (3 mm)

- Alle tannlengder må være like. Tenner av ulik lengde hindrer at kjedet løper jevnt, og kan forårsake brudd på kjedet.
- Ikke slip kjedet når tannlengden har nådd 3 mm eller kortere. Kjedet må skiftes ut med et nytt.
- Spontykkelsen bestemmes av avstanden mellom rytterne (rund nese) og snittkanten.

— De beste sageresultatene oppnås med følgende avstand mellom snittkanten og rytterne.

- Sagblad 90PX : 0,65 mm
- Sagblad 91PX : 0,65 mm

► **Fig.44**

— Slipevinkelen på 30° må være lik på alle tennene. Ulikheter i vinkelen kan få kjedet til å gå brått og ujevnt, føre til raskere slitasje og kjedeburdd.

— Bruk en egnet rundfil slik at riktig slipevinkel beholdes mot tennene.

- Sagblad 90PX : 55°
- Sagblad 91PX : 55°

Fil og filføring

— Bruk en spesiell rundfil (valgfritt tilbehør) for sagkjedet hvis du ønsker å slipe det. Vanlige runde filer kan ikke brukes.

— Diameter for den runde filen for hvert sagkjede er som følger:

- Sagblad 90PX : 4,5 mm
- Sagblad 91PX : 4,0 mm

— Filen må bare berøre tannen på vei forover. Løft filen av tannen på vei tilbake.

— Slip den korteste tannen først. Den korteste tannens lengde blir standarden for alle tennene på sagkjedet.

— Før filen som vist på figuren.

► **Fig.45:** 1. Fil 2. Sagkjede

— Filen kan føres enklere ved hjelp av en filholder (ekstraustyr). Filholderen har merker for korrekt slipevinkel på 30° (legg merkene parallelt med sagkjedet) og begrenser inntrengningsdybden (til 4/5 av fildiameteren).

► **Fig.46:** 1. Filholder

— Når kjedet er slipt, må du kontrollere høyden på rytterne ved hjelp av kjedemalen (ekstraustyr).

► **Fig.47**

— Fjern eventuelt fremstikkende materiale, uansett hvor lite det dreier seg om, med en flat spesialfil (ekstraustyr).

— Rytterne rundes av igjen i forkant.

Rengjør sverdet

Spon og sagflis vil samle seg i sverdsporet. De kan tette sporet og forhindre oljetilførselen. Fjern alltid spon og sagflis når du sliper eller skifter ut sagkjedet.

► **Fig.48**

Rengjøring av kjedehjulbeskyttelsen

Spon og sagflis vil samle seg opp på innsiden av dekslet. Ta kjedehjuldekslet og sagkjedet av sagen, og fjern spon og sagflis.

► **Fig.49**

Rengjøre oljeutstrømningshullet

Små partikler eller støv kan samle seg i oljeutstrømningshullet under bruk. Støvet eller partiklene kan skade oljetilførselen og forårsake utilstrekkelig smøring av hele sagkjedet. Når det kommer lite kjedeolje øverst på sverdet, må oljetømmingshullet rengjøres på følgende måte.

1. Ta kjedehjuldekslet og sagkjedet av sagen.
2. Fjern støv eller partikler ved hjelp av en sporskrutrekker eller lignende.

► **Fig.50:** 1. Sporskrutrekker 2. Oljetømminghull

3. Sett inn batteriet i maskinen. Trykk på startbryteren for å la støv og partikler renne av oljetappetullet når du tømmer ut kjedeolje.

4. Ta ut batteriinnsetningen fra verktøyet. Sett på kjedehjuldekslet og sagkjedet igjen.

Skifte kjedehjulet

⚠FORSIKTIG: Et utslitt kjedehjul vil skade sagkjedet. Skift i så fall ut kjedehjulet.

Før du monterer et nytt sagkjede, må du kontrollere tilstanden til kjedehjulet. Hvis kjedehjulet er utslitt eller skadet, kontakter du Makitas autoriserte servicesentre for å få et reservekjedehjul.

► **Fig.51:** 1. Kjedehjul 2. Områder som slites ut

Oppbevare verktøyet

1. Rengjør sagen før du legger den vekk. Fjern eventuell flis og sagmugg fra maskinen etter at du har fjernet kjedehjulbeskyttelsen.

2. Etter at du har rengjort maskinen, må du la den gå uten belastning, for å smøre sagkjedet og sverdet.

3. Dekk til sverdet med sverddekselet, og forkort deretter røret.

4. Tøm oljetanken.

Instruksjoner for periodisk vedlikehold

Følgende vedlikeholdsoppgaver må utføres jevnlig for å oppnå lang levetid, unngå skade og sikre full funksjon av sikkerhetsfunksjonene. Garantien gjelder kun hvis slikt arbeid utføres regelmessig og ordentlig. Hvis det ikke utføres beskrevet vedlikehold, kan det føre til ulykker! Brukeren av verktøyet må ikke utføre vedlikehold som ikke beskrives i bruksanvisningen. Alt slikt arbeid må utføres i et autorisert servicesenter.

Kontroller punkt/driftstid		Før bruk	Hver dag	Hver uke	Hver 3. måned	Årlig	Før lagring
Hele verktøyet	Kontroll.	✓	-	-	-	-	-
	Rengjøring.	-	✓	-	-	-	-
	Rådfør deg med et godkjent servicesenter.	-	-	-	-	✓	✓
Sagkjede	Kontroll.	✓	-	-	-	-	-
	Slip ved behov.	-	-	-	-	-	✓
Sverd	Kontroll.	✓	✓	-	-	-	-
	Fjern fra verktøyet.	-	-	-	-	-	✓
Smøring av kjedet	Kontroller hastigheten på oljetilførselen.	✓	-	-	-	-	-
Startbryter	Kontroll.	✓	-	-	-	-	-
Av-sperreknapp	Kontroll.	✓	-	-	-	-	-
Oljetanklokk	Kontroller stramming.	✓	-	-	-	-	-
Skuer og muttere	Kontroll.	-	-	✓	-	-	-

FEILSØKING

Inspiser utstyret selv før du bestiller reparasjon. Ikke prøv å demontere verktøyet hvis du finner et problem som ikke er forklart i brukerveiledningen. I stedet bør du ta kontakt med et av Makitas autoriserte servicesentre, som alltid bruker reservedeler fra Makita til reparasjoner.

Feilstatus	Årsak	Handling
Verktøyet starter ikke.	Batteriet er ikke satt inn.	Sett inn det ladede batteriet.
	Batteriproblem (lav spenning).	Lad opp batteriet. Hvis batteriet ikke lader, må du skifte ut batteriet.
	Strømbryteren er av.	Verktøyet slås av automatisk hvis det ikke er i bruk i en periode. Skru på strømbryteren igjen.
Motoren stanser etter kort tids bruk.	Batteriets ladenivå er lavt.	Lad opp batteriet. Hvis batteriet ikke lader, må du skifte ut batteriet.
Ikke noe olje på kjedet.	Oljetanken er tom.	Fyll oljetanken.
	Oljesporet er skittent.	Rengjør sporet.
Verktøyet når ikke maksimalt antall omdreining per minutt.	Batteriet er riktig satt inn.	Sett inn batteriet som beskrevet i denne håndboken.
	Batterieffekten minsker.	Lad batteriet. Hvis ladingen ikke virker, skal batterikassetten skiftes ut.
	Drivsystemet virker ikke slik det skal.	Spør det autoriserte servicesenteret i området om reparasjon.
Strømlampen blinker grønt.	Bryterutløseren trekkes ved forhold der verktøyet ikke kan brukes.	Dra i startbryteren etter at strømbryteren er slått på.
Unormale vibrasjoner: Stans verktøyet umiddelbart!	Løst sagkjede eller sverd.	Juster sverdet og spennet til sagkjedet.
	Verktøyet virker ikke.	Spør det autoriserte servicesenteret i området om reparasjon.
Sagkjedet kan ikke settes på.	Kombinasjonen av sagkjede og kjedehjul er ikke riktig.	Bruk riktig kombinasjon av sagkjede og kjedehjul ved å se i delen som inneholder spesifikasjoner.

VALGFRITT TILBEHØR

⚠️ FORSIKTIG: Det anbefales at du bruker dette tilbehøret eller verktøyet sammen med den Makita-maskinen som er spesifisert i denne håndboken. Bruk av annet tilbehør eller verktøy kan forårsake personskader. Tilbehør og verktøy må kun brukes til det formålet det er beregnet på.

Ta kontakt med ditt lokale Makita-servicesenter hvis du trenger mer informasjon om dette tilbehøret.

- Sagkjede
- Sverd
- Sverddeksel
- Fil
- Makita originalbatteri og lader

⚠️ ADVARSEL: Hvis du kjøper et sverd med en annen lengde enn standardsverdet, må du også kjøpe et egnet deksel for det. Det må passe og dekke sverdet på verktøyet fullt ut.

MERK: Enkelte elementer i listen kan være inkludert som standardtilbehør i verktøypakken. Elementene kan variere fra land til land.

TEKNISET TIEDOT

Malli:		UA004G
Kokonaispituus (ilman terälevyä ja akkua)		2 516–3 748 mm
Nimellisjännite		DC 36 V – 40 V maks.
Nettopaino	*1	7,8 kg
	*2	7,8–9,1 kg
Vakioterälevyn pituus		300 mm
Suositeltu terälevyn pituus	mallilla 90PX	250 - 300 mm
	mallilla 91PX	250 - 300 mm
Käytettävän teräketjun tyyppi (katso lisätietoja allaolevasta taulukosta)		90PX 91PX
Vakiohammaspyörä	Hammasmäärä	6
	Nousu	3/8"
Ketjun nopeus		0 - 20 m/s (0 - 1 200 m/min)
Ketjuöljysäiliön tilavuus		160 cm ³
Suojaluokka		IPX4

- Jatkuvasta tutkimus- ja kehitystyöstämme johtuen esitetyt tekniset tiedot saattavat muuttua ilman erillistä ilmoitusta.
- Tekniset ominaisuudet voivat vaihdella maittain.

*1: Paino suurimmalla akkupaketilla, tyhjällä öljysäiliöllä ja ilman terälevyä, ketjua ja olkaimia EN ISO11680-1-standardin mukaisesti mitattuna.

*2: Kevyin ja painavin laiteyhdistelmä EPTA-menettelytavan 01/2014 mukaisesti. Paino voi olla erilainen lisävarusteista sekä akkupaketista johtuen.

Käytettävä akkupaketti ja laturi

Akkupaketti	BL4020 / BL4025 / BL4040* / BL4050F* / BL4080F* *: Suositeltu akku
Laturi	DC40RA / DC40RB / DC40RC

- Tiettyjä yläpuolella kuvattuja akkuja ja latureita ei ehkä ole saatavana asuinalueestasi johtuen.

VAROITUS: Käytä vain edellä eriteltyjä akkupaketteja ja latureita. Muiden akkupakettien ja laturien käyttäminen voi aiheuttaa loukkaantumisen ja/tai tulipalon.

Suosittu johdollinen virtalähde

Kannettava tehoyksikkö	PDC01 / PDC1200
------------------------	-----------------

- Edellä luetellut johdolliset virtalähteet eivät ehkä ole saatavana asuinalueellasi.
- Lue johdollisen virtalähteen käyttöohjeet ja tutustu siinä oleviin varoitusmerkintöihin ennen sen käyttämistä.

Teräketjun, terälevyn ja hammaspyörän yhdistelmä













Teräketjun tyyppi		90PX
Käyttölinkkien määrä		46
Terälevy	Terälevyn pituus	300 mm
	Leikkauspituus	296 mm
	Nousu	3/8"
	Asteikko	1,1 mm
	Tyyppi	Terälevyn kärkihammaspyörä
Hammaspyörä	Hammasmäärä	6
	Nousu	3/8"

Teräketjun tyyppi		91PX
Käyttölinkkien määrä		46
Terälevy	Terälevyn pituus	300 mm
	Leikkauspituus	296 mm
	Nousu	3/8"
	Asteikko	1,3 mm
	Tyyppi	Terälevyn kärkihammaspyörä
Hammaspyörä	Hammasmäärä	6
	Nousu	3/8"

VAROITUS: Sopiva terälevyn ja teräketjun yhdistelmä. Muussa tapauksessa voi seurauksena olla henkilövahinkoja.

Symbolit

Laitteessa on mahdollisesti käytetty seuraavia symboleja. Opettele niiden merkitys ennen käyttöä.

	Lue käyttöohje.
	Käytä kypärää, suojalaseja ja kuulosuojaimia.
	Käytä suojakäsineitä.
	Käytä tukevia saappaita, joissa on luistamaton pohja. On suositeltavaa käyttää teräskärkisiä turvasaappaita.
	Varo sähkölinjoja, sähköiskujen vaara.
	Pidä etäisyys vähintään 15 m:n suuruisena.
	Sallittu maksimileikkauspituus
	Ketjun liikesuunta
	Ketjuöljysäiliö
	Kuumia pintoja – sormien tai käsien palovammat.
	Koskee vain EU-maita Käytetyillä sähkö- ja elektroniikkalaitteilla, paristoilla ja akuilla voi olla negatiivisia ympäristö- ja terveysvaikutuksia niissä käytettyjen haitallisten osien takia. Älä hävitä sähkö- ja elektroniikkalaitteita tai akkuja kotitalousjätteen mukana! Vanhoja sähkö- ja elektroniikkalaitteita, paristoja ja akkuja koskevan EU-direktiivin ja sen perusteella laadittujen kansallisten lakien mukaan käytetyt sähkö- ja elektroniikkalaitteet, paristot ja akut on kierrätettävä toimittamalla ne erilliseen, ympäristönsuojelusäädösten mukaisesti toimivaan kierrätyspisteeseen. Tämä on ilmaistu laitteessa olevalla yllivedetyn roska-astian symbolilla.
	EU:n ulkona käytettävien laitteiden melupäästöjä koskevan direktiivin mukainen taattu äänitehotaso.
	Australian Uuden Etelä-Walesin osavaltion melutasolainsäädännön mukainen äänitehotaso

Käyttötarkoitus

Työkalu on tarkoitettu oksiston ja oksien karsimiseen.

Melutaso

Tyypillinen A-painotettu melutaso määräytyy standardin ISO22868 (ISO11680-1) mukaan:

Äänenpainetaso (L_{pA}) : 90 dB (A)

Äänen voiman taso (L_{WA}) : 105 dB (A)

Virhemarginaali (K): 3 dB (A)

HUOMAA: Ilmoitetut melutasoarvot on mitattu standarditestausten mukaisesti ja niiden avulla voidaan vertailla työkaluja keskenään.

HUOMAA: Ilmoitettuja melutasoarvoja voidaan käyttää myös altistumisen alustavaan arviointiin.

VAROITUS: Käytä kuulosuojaimia.

VAROITUS: Sähkötyökalun käytön aikana mitattu melutasoarvo voi poiketa ilmoitetuista arvoista laitteen käyttötavan ja erityisesti käsiteltävän työkalupaleen mukaan.

VAROITUS: Selvitä käyttäjän suojaamiseksi tarvittavat varotoimet todellisissa käyttöolosuhteissa tapahtuvan arvioidun altistumisen mukaisesti (ottaen huomioon käyttöjaksot kokonaisuuksissaan, myös jaksot, joiden aikana laite on sammutettuna tai käy tyhjäkäynnillä).

Tärinä

Vasen kahva (etukahva)		Oikea kahva (takakahva)		Sovellettava standardi
ah (m/s ²)	Epävarmuustekijä K (m/s ²)	ah (m/s ²)	Epävarmuustekijä K (m/s ²)	
2,5	1,5	3,1	1,5	ISO22867(ISO11680-1)

HUOMAA: Ilmoitetut kokonaistärinäarvot on mitattu standarditestausten mukaisesti ja niiden avulla voidaan vertailla työkaluja keskenään.

HUOMAA: Ilmoitettuja kokonaistärinäarvoja voidaan käyttää myös altistumisen alustavaan arviointiin.

VAROITUS: Sähkötyökalun käytön aikana mitattu todellinen tärinäpäästöarvo voi poiketa ilmoitetuista arvoista laitteen käyttötavan ja erityisesti käsiteltävän työkappaleen mukaan.

VAROITUS: Selvitä käyttäjän suojaamiseksi tarvittavat varoitimet todellisissa käyttöolosuhteissa tapahtuvan arvioidun altistumisen mukaisesti (ottaen huomioon käyttöjaksokohtaisuuksissaan, myös jaksot, joiden aikana laite on sammutettuna tai käy tyhjäkäynnillä).

EY-vaatimustenmukaisuusvakuutus

Koskee vain Euroopan maita

EY-vaatimustenmukaisuusvakuutus on liitetty tähän käyttöoppaaseen.

TURVAVAROITUKSET

Sähkötyökalujen käyttöä koskevat yleiset varoitukset

VAROITUS: Tutustu kaikkiin tämän sähkötyökalun mukana toimitettuihin varoituksiin, ohjeisiin, kuviin ja teknisiin tietoihin. Seuraavassa lueteltujen ohjeiden noudattamatta jättäminen saattaa johtaa sähköiskuun, tulipaloon tai vakavaan vammautumiseen.

Säilytä varoitukset ja ohjeet tulevaa käyttöä varten.

Varoituksissa käytettävällä termillä "sähkötyökalu" tarkoitetaan joko verkkovirtaa käyttävää (johdollista) työkalua tai akkukäyttöistä (johdotonta) työkalua.

Akkukäyttöisen pidennettävän oksasahan turvavaroitukset

Yleiset varoitoimenpiteet

1. Tutustu työkalun käsittelyyn lukemalla nämä käyttöohjeet ennen työkalun käynnistämistä.
2. Älä lainaa työkalua henkilölle, jolla ei ole riittävä kokemusta tai tarvittavia taitoja työkalun käsittelemiseen.
3. Anna työkalun lainaajalle mukaan aina myös nämä käyttöohjeet.
4. Älä anna työkalua lasten tai alle 18-vuotiaiden käyttöön. Pidä heidät poissa työkalun läheltä.
5. Työkalua käsiteltäessä tulee olla äärimmäisen huolellinen ja varovainen.
6. Älä koskaan käytä työkalua käytettyäsi alkoholia tai huumeita tai ollessasi väsynyt tai sairas.

7. Älä koskaan yritä tehdä muutoksia työkaluun.
8. Älä käytä työkalua huonoissa sääolosuhteissa, varsinkin ukkosella salamansiskun vaaran takia. Näin voit pienentää salamansiskun riskiä.
9. Kansalliset säädökset saattavat rajoittaa työkalun käyttöä. Käytä työkalua oman maasi säädösten mukaisesti.

Henkilösuojaimet

1. Suojaa itsesi lentäviltä irtoroskilta ja putoavilta esineiltä käyttämällä kypärää, suojalaseja ja suojakäsineitä.
2. Käytä kuulonsuojaimia kuulovaurioiden estämiseksi.
3. Käytä turvallisen työskentelyn mahdollistavia kenkiä ja vaateita, esimerkiksi työhaalaria ja kenkiä, joissa on luistamaton pohja. Älä käytä väljiä vaatteita tai koruja. Väljät vaatteet, korut tai pitkät hiukset voivat tarttua liikkuviin osiin.
4. Käytä suojakäsineitä, kun käsittelet teräketjua tai säädät ketjun kireyttä. Teräketju voi leikata käsiä vakavasti.

Työskentelyalueen turvallisuus

1. Pidä työkalu vähintään 15 m:n etäisyydellä sähköjohdoista ja tieliikennekaapeleista (sekä niitä koskettavista oksista). Suurjännitevoimalinjojen koskettaminen työkalulla tai työkalun vieminen niiden lähelle voi johtaa kuolemaan tai vakaviin henkilövahinkoihin. Huomioi työalueella olevat sähkökaapelit ja sähköaidat ennen toiminnan käynnistämistä.
2. Käytä työkalua vain päivänvalossa ja hyvien näkyvyysolojen vallitessa. Älä käytä työkalua pimeässä tai sumussa.
3. Älä koskaan seiso epävakaa, voimakkaasti viettävällä tai liukkaalla alustalla käytön aikana. Jos työskentelet kylmissä oloissa, varo lunta ja jäätä ja varmista aina tukeva jalansija.
4. Pidä sivulliset ja eläimet työskentelyn aikana vähintään 15 m:n etäisyydellä työkalusta. Sammuta työkalu heti, jos joku tulee tätä lähemmäs.
5. Kun työskentelet toisen tai useamman henkilön kanssa, työskennelkää vähintään 15 m:n etäisyydellä toisistanne ja käyttäkää työn valvoja.

6. Tarkista ennen käyttöä, onko työskentelyalueella lanka-aitoja, muureja tai muita kiinteitä esineitä. Ne voivat vahingoittaa teräketjua.

Valmistelu

1. Ennen kuin kokoat työkalun tai teet siihen säätöjä, sammuta työkalu ja irrota sen akkupaketti.
2. Pue suojakäsineet ennen kuin käsittelet teräketjua tai säädät ketjun kireyttä.
3. Ennen kuin käynnistät työkalun, tarkista, ettei siinä ole vaurioita tai löystyneitä ruuveja/ muttereita tai ettei sitä ole koottu virheellisesti. Teroita tylsää teräketjua. Jos teräketju on väännyt tai vaurioitunut, vaihda se. Tarkista, että kaikki säätimet ja kytkimet toimivat kevyesti. Puhdista ja kuivaa otepinna.
4. Älä koskaan yritä käynnistää työkalua, jos se on vaurioitunut tai puutteellisesti koottu. Muuten se voi aiheuttaa vakavia vammoja.
5. Säädä olkaimet käyttäjän koon mukaan.
6. Säädä ketjun kireys sopivaksi. Lisää ketjuöljyä tarvittaessa.

Työkalun käynnistäminen

1. Pue suojaruuvit päälle ennen työkalun käynnistämistä.
2. Varmista ennen työkalun käynnistämistä, ettei työskentelyalueella ole muita henkilöitä tai eläimiä.
3. Kun asetat akkupaketin paikalleen, älä anna teräketjun ja terälevyn koskettaa itseäsi, mitään esinettä tai maata. Teräketju voi liikkua käynnistyksen aikana, mikä voi aiheuttaa vakavia vammoja tai vaurioittaa teräketjua ja/tai muuta omaisuutta.
4. Aseta työkalu tasaiselle alustalle. Seiso tukevasti ja hyvässä tasapainossa.

Käyttö

1. Häätätilanteessa sammuta työkalu välittömästi.
2. Jos havaitset käytön aikana epätavallisia oireita (esim. outoja ääniä tai värinää), sammuta työkalu. Älä käytä työkalua, ennen kuin syy on selvitetty ja korjattu.
3. Teräketjun liike jatkuu hetken aikaa työkalun sammuttamisen jälkeen. Älä kosketa teräketjua liian aikaisin.
4. Käytä olkaimia käytön aikana. Kannattele työkalua tukevasti oikealla puolellasi.
5. Pidä etukahvasta kiinni vasemmalla kädelläsi ja takakahvasta oikealla kädelläsi siitä riippumatta oletko oikea- vai vasenkätinen. Kierrä sormesi tartuntapintojen ympärille.
6. Pitele työkalua vain sen eristetyistä tartuntapinnoista, sillä teräketju saattaa osua piilossa oleviin johtoihin. Jos teräketju osuu jännitteeseen johtoon, jännite voi siirtyä varrellisen karsimen sähköä johtaviin metalliosiin ja aiheuttaa käyttäjälle sähköiskun.
7. Älä koskaan yritä käyttää työkalua yhdellä kädellä. Hallinnan menetys voi aiheuttaa vakavia tai hengenvaarallisia vammoja. Voit vähentää vammojen riskiä pitämällä kädet ja jalat kaukana teräketjusta.

8. Älä ylikirkottele. Seiso tukevassa asennossa ja säilytä tasapainosi koko työn ajan. Varo piilossa olevia, kompastumisvaaran aiheuttavia esteitä, kuten kantoja, juuria ja ojia. Poista pudonneet oksat ja muut esineet pois tieltä.
9. Älä koskaan työskentele tikkailla tai puussa, sillä se voi aiheuttaa hallinnan menetyksen.
10. Jos työkaluun kohdistuu voimakas isku tai se putoaa, tarkista sen kunto ennen työn jatkamista. Jos on syytä epäillä vaurioita, järjestä tarkistus ja korjaus valtuutetussa Makita-huoltoliikkeessä.
11. Älä kosketa työkalun päätä. Työkalun pää kuumenee erittäin kuumaksi käytön aikana.
12. Pidä lepotaukoja, jotta et menetä hallintaa väsymyksen takia. On suositeltavaa pitää tunnin välein 10–20 minuutin tauko.
13. Jos jätät työkalun vartioimatta vaikka vain lyhyeksi ajaksi, sammuta aina työkalu ja irrota akkupaketti. Jos työkalu jätetään käyntiin ja vartioimatta, asiattomat henkilöt voivat käyttää sitä ja aiheuttaa vakavan onnettomuuden.
14. Kun käytät työkalua, älä nosta oikeaa kättäsi olkalinjaasi korkeammalle.
15. Älä koskaan käytön aikana kosketa teräketjulla kovia esteitä, kuten kiviä tai nauloja. Ole erityisen varovainen, kun leikkaat muurien, lanka-aitojen ja vastaavien kohteiden vieressä olevia oksia.
16. Jos työkaluun tarttuu oksia, sammuta aina työkalu ja irrota akkupaketti. Muutoin tahaton käynnistyminen voi aiheuttaa vakavia henkilövahinkoja.
17. Jos teräketju tukkeutuu, sammuta aina työkalu ja irrota akkupaketti ennen tukosten puhdistamista.
18. Työkalun kierrosnopeuden kasvattaminen teräketjun ollessa tukossa lisää kuormitusta ja vaurioittaa työkalua.
19. Varmista ennen oksan leikkaamista, että pääset tarvittaessa pois putoavan oksan tieltä. Poista ensin työskentelyalueelta esteet, kuten irto-oksat ja oksisto. Siirrä kaikki työkalut ja esineet pois tieltä, jotta pääset siirtymään turvalliseen paikkaan tarvittaessa.
20. Arvioi ennen oksiston ja oksien leikkaamista, mihin suuntaan ne putoavat, missä kunnossa oksisto ja oksat ovat ja miten vieressä olevat puut, tuulensuunta jne. vaikuttavat. Huomioi erityisesti putoamisuunta ja maahan osuvan oksiston mahdollinen ponnahdus.
21. Älä koskaan pidä työkalu yli 60 °n kulmassa. Muutoin putoavat esineet voivat osua käyttäjään ja aiheuttaa vakavia vammoja. Älä koskaan seiso leikkattavan oksan alapuolella.
22. Kiinnitä huomioita katkenneisiin ja taipuneisiin oksiiin. Ne saattavat ponnahtaa takaisinpäin leikkattaessa ja aiheuttaa odottamattomia vammoja.
23. Ennen kuin leikkaat katkaistavaksi aiotun oksan, poista sitä ympäröivä oksista ja lehvästä. Muutoin teräketju voi jäädä kiinni niihin.
24. Estä teräketjun jääminen kiinni leikkausraan vapauttamalla vipu vasta, kun teräketju on ulkona leikkausurasta.

25. Jos teräketju jää kiinni leikkausuraan, pysäytä työkalu välittömästi ja vapauta teräketju liikuttamalla oksaa niin, että leikkausura laajenee.
26. Vältä takapotkuja (käyttäjään suuntautuvaa liikesuunnan vastavoimaa). Älä koskaan käytä leikkaamiseen terälevyn kärkeä tai tee puhkaisuleikkauksia, sillä ne voivat aiheuttaa takapotkuja. Tarkkaile aina terälevyn kärjen sijaintia.
27. Tarkista ketjun kireys säännöllisesti. Kun tarkistat teräketjun kireyttä tai säädät sitä, sammuta työkalu ja irrota sen akkupaketti. Jos kireys ei ole riittävä, kiristä sitä.
28. Kun käytät työkalua mutaisessa maastossa, märässä rinteessä tai liukkaassa paikassa, kiinnitä erityistä huomiota hyvän tasapainon säilyttämiseen.
29. Älä upota työkalua lammikkoihin.
30. Älä jätä työkalua ulos sateeseen ja valvomatta.

Kuljetus

1. Ennen kuin siirrät työkalua, sammuta työkalu ja irrota sen akkupaketti. Asenna aina terälevyn suojus paikalleen kuljetuksen ajaksi.
2. Kuljeta työkalua vaakuurassa asennossa varresta kiinni pitämällä.

Huolto

1. Huollata työkalu vain valtuutetussa huolto- liikkeessämme ja käytä aina vain alkuperäisiä vaihto-osia. Virheelliset korjaukset ja huono kunnossapito voivat lyhentää työkalun käyttöikää ja lisätä tapaturmien vaaraa.
2. Ennen kuin teet työkalulle huolto- tai korjaus- toimia tai puhdistat sen, sammuta aina työkalu ja irrota sen akkupaketti. Odota, että työkalu jäähtyy.
3. Käytä aina suojakäsineitä, kun käsittelet teräketjua.
4. Kiristä jokaisen käytön jälkeen kaikki ruuvit ja mutterit säätöruuveja lukuun ottamatta.
5. Pidä teräketju terävänä. Jos teräketju on tylsistynyt tai sen leikkauteho on heikko, teroituta se tai vaihdeta se uuteen valtuutetussa Makita-huoltoliikkeessä.
6. Älä yritä tehdä itse mitään huolto- ja korjaus- töitä, joista ei ole ohjeistettu näissä käyttö- ohjeissa. Järjestä tällaiset työt valtuutetussa Makita-huoltoliikkeessä.
7. Käytä aina pelkästään aitoja Makita-varaosia ja -lisävarusteita. Muiden valmistajien varaosien tai lisävarusteiden käyttäminen voi aiheuttaa työkalun hajoamisen, aineellisia vahinkoja ja/tai vakavia vammoja.

Varastoiminen

1. Ennen kuin asetat työkalun säilytykseen, suorita perusteellinen puhdistus ja huolto. Aseta terälevyn suojus paikalleen. Irrota akkupaketti. Valuta ketjuöljy ulos, kun työkalu on jäähtynyt.
2. Säilytä työkalua hyvin tuulettussa paikassa, joka on riittävän korkealla tai lukittu, jotta lapset eivät pääse siihen käsiksi.
3. Älä tue työkalua esimerkiksi seinää vasten. Muutoin se voi kaatua ja aiheuttaa vammoja.

4. Kun varastoit työkalun, vältä sijoittamasta sitä paikkaan, jossa se altistuu suoralle auringonpaisteelle, sateelle, kuumuudelle tai kosteudelle.

Sähköturvallisuus ja akku

1. Älä hävitä akkuja polttamalla. Akkukenno voi räjähtää. Tarkista, onko paikallisissa määräyksissä erityisiä laitteita koskevia hävitysohjeita.
2. Älä avaa tai riko akkuja. Akusta mahdollisesti vuotava elektrolyytti on syövyttävää ja saattaa vaurioittaa ihoa tai silmiä. Se saattaa olla myrkyllistä nieltynä.
3. Älä lataa akkua sateessa tai kosteissa olosuhteissa.
4. Älä lataa akkua ulkona.
5. Älä käsittele laturia tai sen liitinosaa ja lataus- liittimiä märin käsin.
6. Vältä vaarallisia ympäristöjä. Älä käytä työkalua kosteissa tai märissä paikoissa äläkä altista sitä sateelle. Työkalun sisään päässyt vesi lisää sähköiskun vaaraa.
7. Älä vaihda akkua sateessa.

SÄILYTÄ NÄMÄ OHJEET.

VAROITUS: ÄLÄ anna työkalun helppokäyttöisyyden (toistuvan käytön aikaansaama) johtaa sinua väärään turvallisuuden tunteeseen niin, että laiminlyöt työkalun turvaohjeiden noudattamisen. VÄÄRINKÄYTTÖ tai tässä käyttöohjeessa ilmoitettujen turvamääräysten laiminlyönti voi aiheuttaa vakavia henkilövahinkoja.

Akkupakettia koskevia tärkeitä turvaohjeita

1. Ennen akun käyttöönottoa tutustu kaikkiin laturissa (1), akussa (2) ja akkukäyttöisessä tuotteessa (3) oleviin varoitusteksteihin.
2. Älä pura tai peukaloi imuria akkupakettia. Se voi johtaa tulipaloon, ylikuumentumiseen tai räjähdykseen.
3. Jos akun toiminta-aika lyhenee merkittävästi, lopeta akun käyttö. Seurauksena voi olla ylikuumentuminen, palovammoja tai jopa räjähdys.
4. Jos akkunestettä pääsee silmiin, huuhtele puhtaalla vedellä ja hakeudu välittömästi lääkärin hoitoon. Akkuneste voi aiheuttaa näön menetyksen.
5. Älä oikosulje akkua.
 - (1) Älä koske akun napoihin millään sähköä johtavalla materiaalilla.
 - (2) Vältä akun oikosulkemista äläkä säilytä akkua yhdessä muiden metalliesineiden, kuten naulojen, kolikoiden ja niin edelleen kanssa.
 - (3) Älä aseta akkua alttiiksi vedelle tai sateelle.
 Oikosulku voi aiheuttaa virtapiikin, ylikuumentumista, palovammoja tai laitteen rikkoontumista.

6. Älä säilytä ja käytä työkalua ja akkupakettia paikassa, jossa lämpötila voi nousta 50 °C:een (122 °F) tai korkeammaksi.
7. Älä hävitä akkua polttamalla, vaikka se olisi pahoin vaurioitunut tai täysin loppuun kulunut. Avotuli voi aiheuttaa akun räjähtämisen.
8. Älä naulaa, leikkaa, purista, heitä tai pudota akkupakettia tai iske sitä kovia esineitä vasten. Tällaiset toimet voivat johtaa tulipaloon, ylikuumentumiseen tai räjähdykseen.
9. Älä käytä viallista akkua.
10. Sisäytyviä litium-ioni-akkuja koskevat vaarallisten aineiden lainsäädännön vaatimukset. Esimerkiksi kolmansien osapuolten huolintaliikkeiden tulee kaupallisissa kuljetuksissa noudattaa pakkaamista ja merkintöjä koskevia erityisvaatimuksia. Lähetettävän tuotteen valmistelu edellyttää vaarallisten aineiden asiantuntijan neuvontaa. Huomioi myös mahdollisesti yksityiskohtaisemmat kansalliset määräykset
Akun avoimet liittimet tulee suojata teipillä tai suojuksella ja pakkaaminen tulee tehdä niin, ettei akku voi liikkua pakkauksessa.
11. Kun akkupaketti on hävitettävä, poista se laitteesta ja hävitä se turvallisesti. Hävitä akku paikallisten määräysten mukaisesti.
12. Käytä akkuja vain Makitan ilmoittamien tuotteiden kanssa. Akkujen asentaminen yhteensopimattomiin tuotteisiin voi aiheuttaa tulipalon, liiallisen ylikuumentumisen, räjähdyksen tai akkunestevuotoja.
13. Jos laitetta ei käytetä pitkään aikaan, akku on poistettava laitteesta.
14. Akkupaketin lämpötila voi käytön aikana ja sen jälkeen nousta niin kuumaksi, että se voi aiheuttaa palovammoja tai lieviä palovammoja. Käsittele kuumia akkupaketteja huolellisesti.
15. Älä kosketa työkalun liitintä välittömästi käytön jälkeen, sillä se voi olla riittävän kuuma aiheuttamaan palovammoja.
16. Älä päästä lastuja, pölyä tai maata akkupaketin liittimiin, aukkoihin ja uriin. Se voi johtaa työkalun tai akkupaketin lämpenemiseen, syttymiseen, purkautumiseen tai toimintahäiriöön, mikä voi aiheuttaa palovammoja tai vammoja.
17. Ellei työkalu tue käyttöä korkeajännitelinjoihin lähellä, älä käytä akkupakettia korkeajännitelinjoihin lähellä. Se voi johtaa työkalun tai akkupaketin toimintahäiriöön tai rikkoutumiseen.
18. Pidä akku pois lasten ulottuvilta.

SÄILYÄ NÄMÄ OHJEET.

⚠HUOMIO: Käytä vain alkuperäisiä Makita-akkuja. Muiden kuin aitojen Makita-akkujen, tai mahdollisesti muutettujen akkujen käyttö voi johtaa akun murtumiseen ja aiheuttaa tulipaloja, henkilö- ja omaisuusvahinkoja. Se mitätöi myös Makita-työkalun ja -laturin Makita-takuun.

Vihjeitä akun käyttöiän pidentämiseksi

1. Lataa akku ennen kuin se purkautuu täysin. Lopeta aina työkalun käyttö ja lataa akku, jos huomaat työkalun tehon vähenevän.
2. Älä koskaan lataa uudestaan täysin ladattua akkua. Ylilataaminen lyhentää akun käyttöikää.
3. Lataa akku huoneen lämpötilassa välillä 10 °C - 40 °C. Anna kuumen akun jäähtyä ennen lataamista.
4. Irrota akkupaketti työkalusta tai laturista, kun sitä ei käytetä.
5. Lataa akkupaketti, jos et käytä sitä pitkään aikaan (yli kuusi kuukautta).

OSIEN KUVAUS

► Kuva1

1	Päävirran merkivalo	2	Päävirtakytkin	3	Ripustin
4	Lukitusvipu	5	Akkupaketti	6	Liipaisinkytkin
7	Takakahva	8	Teräketju	9	Terälevy
10	Öljysäiliön korkki	11	Lukitusrengas	12	Vastamutteri
13	Ketjun säätöruuvi	14	Terälevyn suojuus	15	Etukahva

TOIMINTOJEN KUVAUS

⚠️HUOMIO: Varmista aina ennen säätöjä ja tarkastuksia, että työkalu on sammutettu ja akkupaketti irrotettu.

Akun asentaminen tai irrottaminen

⚠️HUOMIO: Sammuta työkalu aina ennen akun kiinnittämistä tai irrottamista.

⚠️HUOMIO: Pidä työkalusta ja akusta tiukasti kiinni, kun irrotat tai kiinnität akkua. Jos akkupaketti tai työkalu putoaa, ne voivat vaurioitua tai aiheuttaa tapaturman.

- **Kuva2:** 1. Punainen ilmaisin 2. Painike
3. Akkupaketti

Irrota akku painamalla akun etupuolella olevaa painiketta ja vetämällä akku ulos työkalusta.

Akkupaketti asetetaan paikalleen sovittamalla akkupaketin kieleke rungon uraan ja työntämällä se sitten paikalleen. Työnnä se pohjaan asti niin, että kuulet sen napsahdavan paikoilleen. Jos näet kuvan mukaisen punaisen ilmaisimen, lukitus ei ole täysin pitävä.

















⚠️HUOMIO: Työnnä akkupaketti aina pohjaan asti, niin että punainen ilmaisin ei enää näy. Jos akkupaketti ei ole kunnolla paikallaan, se voi pudota työkalusta ja aiheuttaa vammoja joko sinulle tai sivullisille.

⚠️HUOMIO: Älä käytä voimaa akun asennuksessa. Jos akku ei liu'u paikalleen helposti, se on väärässä asennossa.

Akun jäljellä olevan varaustason ilmaisin

Painamalla tarkistuspainiketta saat näkyviin akun jäljellä olevan varauksen. Merkkivalot palavat muutaman sekunnin ajan.

- **Kuva3:** 1. Merkkivalot 2. Tarkistuspainike

Merkkivalot			Akussa jäljellä olevan varaus
 Palaa	 Pois päältä	 Vilkkuu	
			75% - 100%
			50% - 75%
			25% - 50%
			0% - 25%
			Lataa akku.
  ↑ ↓  			Akussa on saatanut olla toimintahäiriö.

HUOMAA: Ilmoitettu varaustaso voi erota hieman todellisesta varaustasosta sen mukaan, millaisissa oloissa ja missä lämpötilassa laitetta käytetään.

HUOMAA: Ensimmäinen (vasemmanpuoleisin) merkkivalo vilkkuu, kun akun suojausjärjestelmä on toiminnassa.

Työkalun/akun suojausjärjestelmä

Työkalu on varustettu työkalu/akun suojausjärjestelmällä. Tämä järjestelmä pidentää työkalun ja akun käyttöikää katkaisemalla automaattisesti moottorin virran. Työkalu pysähtyy automaattisesti kesken käytön, jos työkalussa tai akussa ilmenee jokin seuraavista tilanteista:

Ylikuormitussuoja

Kun akkua käytetään tavalla, joka saa sen kuluttamaan epätavallisen suuren määrän virtaa, työkalu pysähtyy automaattisesti ja päävirran merkkivalo vilkkuu vihreänä. Katkaise tässä tilanteessa laitteesta virta ja lopeta ylikuormitustilan aiheuttanut käyttö. Käynnistä sitten laite uudelleen kytkemällä siihen virta.

Ylikuumenemissuoja

Työkalun ylikuumentessa se pysähtyy automaattisesti ja päävirran merkkivalo alkaa vilkkua punaisena. Anna silloin laitteen tai akun jäähtyä, ennen kuin kytket laitteen uudelleen virran.

HUOMAA: Jos lämpötila on korkea, ylikuumenemissuoja kytkeytyy päälle ja työkalu pysähtyy automaattisesti.

Ylipurkautumissuoja

Jos akkukapasiteetti ei riitä, työkalu pysähtyy automaattisesti ja päävirran merkkivalo alkaa vilkkua punaisena. Irrota tässä tapauksessa akku laitteesta ja lataa se.

Suojaus muilta haitallisilta tapahtumilta

Suojausjärjestelmä on suunniteltu suojaamaan työkalua myös muilta tapahtumilta, jotka voisivat vahingoittaa työkalua, ja pysäyttämään työkalu automaattisesti tällaisissa tapauksissa. Kun työkalu tai sen toiminta on pysähtynyt tilapäisesti tai se on pysähtynyt, poista pysähtymisen syyt seuraavien vaiheiden mukaisesti.

1. Käynnistä työkalu uudelleen sammuttamalla se ja kytkemällä se sitten uudelleen päälle.
2. Lataa akut tai vaihda ne ladattuihin akkuihin.
3. Anna koneen ja akkujen jäähtyä.

Jos suojausjärjestelmän nollaaminen ei korjaa tilannetta, ota yhteys paikalliseen Makita-huoltoon.

Päävirtakytkin

VAROITUS: Kytke aina päävirtakytkin pois päältä, kun työkalua ei käytetä.

Kytke laite päälle painamalla päävirtakytkintä. Sammuta painamalla päävirtakytkintä uudelleen.

► **Kuva4:** 1. Päävirran merkivalo 2. Päävirtakytkin

HUOMAA: Päävirran merkivalo alkaa vilkkua vihreänä, kun kytket päävirtakytkimen päälle pitämällä samalla lukitusvipua ja liipaisinkytkintä painettuina. Vapauta tässä tapauksessa liipaisinkytkin ja lukitusvipu ja kytke sitten päävirtakytkin päälle.

HUOMAA: Tämä laite sisältää automaattisen sammutustoiminnon. Tahattoman käynnistyksen välttämiseksi, päävirtakytkin sammuu automaattisesti, kun liipaisinkytkintä ei paineta tietyn ajan kuluessa päävirtakytkimen ollessa kytkettynä päälle.

Kytkimen käyttäminen

VAROITUS: Käyttäjän turvallisuuden vuoksi työkalussa on lukitusvipu, joka estää sen käynnistämisen vahingossa. ÄLÄ koskaan käytä työkalua, jos se käynnistyy pelkästään liipaisinkytkintä painamalla ilman, että lukitusvipua painetaan. Toimita työkalu valtuutettuun huoltoon korjattavaksi ENNEN kuin jatkat käyttöä.

VAROITUS: ÄLÄ koskaan teippaa tai ohita lukitusvipua.

HUOMIO: Tarkista aina ennen akkupaketin asettamista työkaluun, että liipaisinkytkin kytkeytyy oikein ja palaa ”OFF”-asentoon, kun se vapautetaan.

HUOMAUTUS: Älä vedä liipaisinkytkimestä voimakkaasti, ellet samalla paina lukituksen vapautusvivusta. Kytkin voi rikkoutua.

Laitteessa on lukitusvipu, joka estää liipaisinkytkimen painamisen vahingossa. Käynnistä laite painamalla lukituspainike sisään ja vetämällä liipaisinkytkimestä. Mitä voimakkaammin liipaisinkytkintä painetaan, sitä nopeammin terä pyörii. Sammuta vapauttamalla liipaisinkytkin.

► **Kuva5:** 1. Liipaisinkytkin 2. Lukitusvipu

Varren pituuden säätäminen

Pidennä tai lyhennä vartta avaamalla ensin lukitusrenkas sitä vastapäivään kääntämällä, säätämällä varren pituus halutuksi ja kiristämällä sitten lukitusrenkas sitä myötäpäivään kääntämällä.

► **Kuva6:** 1. Lukitusrenkas 2. Varsi

KOKOONPANO

HUOMIO: Varmista aina ennen mitään työkalulle tehtäviä toimenpiteitä, että se on sammutettu ja akku irrotettu.

HUOMIO: Älä koske teräketjuun paljain käsin. Käytä aina suojakäsineitä, kun käsittelet terää.

Työkalun kokoaminen

1. Irrota 2 suojusta varresta ja 1 suojuus työkalun päästä.
► **Kuva7:** 1. Suojus 2. Varsi 3. Työkalun pää
2. Avaa 3 pulttia ja irrota sitten 1 pultti kuusioavaimella.
► **Kuva8:** 1. Pultti
3. Työnnä varsi niin pitkälle työkalun runkoon kuin se menee ja kohdista sitten varressa oleva reikä työkalun rungossa olevan reiän kanssa.
► **Kuva9:** 1. Reikä 2. Varsi
4. Kiristä 3 pulttia kuusioavaimella.
► **Kuva10:** 1. Pultti
5. Avaa 2 pulttia ja irrota sitten 1 pultti.
► **Kuva11:** 1. Pultti
6. Avaa lukitusrenkas sitä vastapäivään kääntämällä, pidennä vartta noin 10 cm tai enemmän ja kiristä sitten lukitusrenkas sitä myötäpäivään kääntämällä.
► **Kuva12:** 1. Lukitusrenkas 2. 10 cm tai enemmän 3. Varsi
7. Työnnä varsi niin pitkälle työkalun päähän kuin se menee ja kohdista sitten varressa oleva reikä työkalun päässä olevan reiän kanssa.
► **Kuva13:** 1. Reikä 2. Varsi
8. Kiristä 2 pulttia kuusioavaimella.
► **Kuva14:** 1. Pultti

Teräketjun kiinnitys ja irrotus

HUOMIO: Teräketju ja terälevy ovat käytön jälkeen kuumia. Anna niiden jäähtyä riittävästi, ennen kuin teet työkalulle mitään huoltotoimenpiteitä.

HUOMIO: Kiinnitä ja irrota ketju puhtaassa tilassa, jossa ei ole sahanpurua tms.

Teräketjun asentaminen

Kiinnitä ketju toimimalla seuraavasti:

1. Löysää ketjun säätöruuvia ja sitten vastamutteria.
► **Kuva15:** 1. Vastamutteri 2. Ketjun säätöruuvi 3. Hammaspyörän kotelo
2. Irrota hammaspyörän kotelo.
3. Tarkista teräketjun suunta. Sovita teräketjun suunta työkalun rungossa olevan merkinnän mukaiseksi.
► **Kuva16:** 1. Merkki ketjusahan rungossa

4. Aseta teräketjun toinen pää terälevylle. Aseta teräketjun toinen pää hammaspyörän ympäri. Varmista, että teräketju istuu hyvin hammaspyörässä ja terälevyn urassa.

5. Kiinnitä terälevy työkalun runkoon kohdistamalla terälevyssä oleva reikä työkalun rungossa olevaan tappiin.

► **Kuva17:** 1. Reikä 2. Hammaspyörä

6. Aseta hammaspyörän kannen ulkonema työkalun runkoon ja sulje sitten kansi niin, että työkalun rungossa olevat pultti ja tappi ovat vastakkain kannessa olevien vastakappaleidensa kanssa.

► **Kuva18:** 1. Hammaspyörän kotelo 2. Ulkonema 3. Pultti 4. Tappi

7. Kiinnitä hammaspyörän kotelo kiristämällä vastamutteria ja säädä kireyttä löysäämällä sitä hieman.

► **Kuva19:** 1. Vastamutteri

Kun olet asentanut teräketjun, säädä sen kireys noudattamalla ketjunkireyden säätöä koskevassa kohdassa esitettyjä ohjeita.

Teräketjun irrottaminen

Irrota ketju toimimalla seuraavasti:

1. Löysää ketjun säätöruuvia ja sitten vastamutteria.

► **Kuva20:** 1. Vastamutteri 2. Ketjun säätöruuvi

2. Irrota hammaspyörän kansi ja irrota sitten teräketju ja terälevy työkalun rungosta.

Ketjunkireyden säätö

⚠HUOMIO: Älä kiristä ketjua liikaa. Jos teräketju on liian kireällä, se voi katketa ja kuluttaa terälevyä.

⚠HUOMIO: Jos ketju on liian löysällä, se voi hypätä pois terälevystä ja aiheuttaa siten vaaratilanteen.

Ketju voi löystyä usean tunnin käytön jälkeen. Tarkista ketjun kireys ennen käyttöä.

1. Löysää hammaspyörän koteloa hieman löysäämällä vastamutteria.

► **Kuva21:** 1. Vastamutteri

2. Nosta terälevyn kärkeä hieman ja säädä ketjun kireys. Ketjua kiristetään kääntämällä säätöruuvia vastapäivään ja löysätään kääntämällä säätöruuvia myötäpäivään.

Kiristä teräketjua, kunnes teräketjun alaosa osuu terälevyn uraan kuvaan mukaan.

► **Kuva22:** 1. Terälevy 2. Teräketju 3. Ketjun säätöruuvi

3. Kannattele terälevyä kevyesti ja aseta hammaspyörän kansi paikalleen.

Varmista, ettei teräketju löysty terälevyn alapuolella.

4. Kiinnitä hammaspyörän kotelo paikalleen kiristämällä vastamutteria.

► **Kuva23:** 1. Vastamutteri

TYÖSKENTELY

Voitelu

HUOMAUTUS: Kun täytät sahan öljysäiliötä ensimmäistä kertaa tai kun lisäät öljyä täysin tyhjeneeseen säiliöön, lisää öljyä täyttökaulan alareunaan asti. Muutoin öljyn syötössä voi esiintyä häiriöitä.

HUOMAUTUS: Käytä Makita-teräketjuöljyjä tai muita vastaavia myynnissä olevia teräketjuöljyjä.

HUOMAUTUS: Älä käytä öljyä, jossa on likaa tai roskia tai haihtuvia öljyjä.

HUOMAUTUS: Käytä puiden oksia karsiessasi kasviöljyä. Mineraaliöljyt voivat vahingoittaa puita.

HUOMAUTUS: Varmista, että öljysäiliön korkki on paikallaan, ennen kuin aloitat sahaamisen.

Teräketju voidaan automaattisesti, kun työkalua käytetään. Tarkista öljysäiliössä jäljellä olevan öljyn määrä säännöllisesti.

► **Kuva24:** 1. Öljysäiliö

Täytä säiliö asettamalla työkalu tasaiselle alustamalle ja painamalla sitten öljysäiliön korkissa olevaa painiketta niin, että toisella puolella oleva painike nousee pystyyn, ja irrota sitten öljysäiliön korkki sitä kääntämällä.

Oikea öljymäärä on 160 ml. Kun säiliö on täytetty varmista, että öljysäiliön korkki kiinnitetään kunnolla.

► **Kuva25:** 1. Öljysäiliön korkki 2. Kiristä 3. Löysää

HUOMAA: Jos öljysäiliön korkki ei käänny helposti, aseta hylsyavain öljysäiliön korkissa olevaan hahloon ja irrota sitten öljysäiliön korkki kääntämällä sitä vastapäivään.

► **Kuva26:** 1. Hahlo 2. Hylsyavain

Pidä työkalu poissa puun läheltä täytön jälkeen.

Käynnistä se ja odota, että teräketjun voitelu alkaa toimia kunnolla.

► **Kuva27**

Olkahihnan kiinnittäminen

▲HUOMIO: Kun käytät työkalua repputyypin virtalähteen, kuten kannettavan tehoyksikön kanssa, älä käytä työkalun tuotepaketissa toimitettuja olkaimia vaan Makitan suosittelemaa ripustushihnaa.

Jos käytät työkalun tuotepaketissa toimitettuja olkaimia ja repputyypin virtalähteen olkaimia samanaikaisesti, se vaikeuttaa työkalun tai repputyypin virtalähteen irrottamista hätätilanteessa ja voi aiheuttaa onnettomuuden tai vammoja. Ripustushihnasuosituksot voi tarkistaa valtuutetuista Makita-huoltoliikkeistä.

▲HUOMIO: Käytä työkalua aina olkahihnan varassa. Säädä ennen käyttöä olkahihna itsellesi sopivaan pituuteen, jotta et väsy työkalua käyttäessäsi.

▲HUOMIO: Varmista ennen käyttöä, että olkahihna on kiinnitetty oikein työkalun ripustimeen.

▲HUOMIO: Varmista ennen käyttöä, että olkaimien solki on kiinnitetty pitävästi.

▲HUOMIO: Käytä aina tälle työkalulle tarkoitettuja olkaimia. Älä käytä muita olkaimia.

1. Aseta olkahihna päällesi ja kiinnitä solki.
► Kuva28: 1. Solki

HUOMAA: Kun irrotat olkaimet, avaa solki ja poista olkaimet.

2. Säädä olkahihna miellyttävään työskentelyasentoon.
► Kuva29
3. Kiinnitä olkahihnan koukku työkalun ripustimeen.
► Kuva30: 1. Koukku 2. Ripustin

Olkaimissa on pikairrotustoiminto. Voit irrottaa olkaimet painamalla soljen reunoja.

- Kuva31: 1. Solki

Työkalun käyttäminen

▲HUOMIO: Pidä kaikki rungon osat loitolla ketjusta moottorin ollessa käynnissä.

▲HUOMIO: Pidä työkalusta tukevasti kiinni molemmiin käsiin, kun moottori on käynnissä.

▲HUOMIO: Älä kurkota. Seiso tukevassa asennossa ja säilytä tasapainosi.

▲HUOMIO: Kun leikkaat oksia poikki, varo menettämästä tasapainoasi työkalun pään painon takia.

▲HUOMIO: Varmista aina, että pääset tarvittaessa pois käyttäjää kohti putoavan leikatun oksan tieltä.

▲HUOMIO: Älä koskaan käytä leikkaamiseen terälevyn kärkeä. Muutoin seurauksena voi olla vaarallinen takapotku, joka saattaa aiheuttaa henkilövahinkoja.

HUOMAUTUS: Älä koskaan heitä tai pudota työkalua.

HUOMAUTUS: Älä peitä työkalun ilmanvaihtoaukkoja.

HUOMAUTUS: Älä käytä tarpeetonta voimaa. Muutoin työkalu voi vaurioitua.

Seiso vakaalla alustalla ja pidä työkalu pois oksien luota niin, että työkalun kulma maanpinnasta on enintään 60 °.

- Kuva32: 1. Enintään 60 °

Käynnistä työkalu ja paina sitten teräketjua kevyesti oksaa vasten.

Kun leikkaat pitkiä oksia, leikkaa se osissa kärjestä alkaen, niin voit hallita oksankappaleiden putoamista paremmin. Tarkkaile putoavia oksia, sillä ne saattaa ponnahtaa maahan osuessaan käyttäjää kohti.

- Kuva33

Kun leikkaat paksuja oksia, tee ensin pintapuolinen lovi alaosaan ja tee sitten loppuleikkaus ylhäältä päin.

- Kuva34

Jos yrität leikata paksuja oksia alhaalta päin, oksa saattaa sulkeutua ja puristaa teräketjun kiinni leikkausuraan. Jos yrität leikata paksuja oksia ylhäältä päin ilman, että teet pintapuolista lovea alhaalta päin, oksa saattaa haljeta.

- Kuva35

Koneen kantaminen

Irrota aina akkupaketti työkalusta, kiinnitä terälevyn suojuus ja lyhennä varsi ennen työkalun kantamista. Peitä myös akkupaketti suojakannella.

- Kuva36: 1. Terälevyn suojuus 2. Akun suojuus

Työkalun käyttö kannettavan tehoyksikön kanssa

Lisävaruste

Käytä ripustushihnaa, kun käytät työkalua kannettavan tehoyksikön kanssa.

Ripustushihnan kiinnittäminen

1. Kiinnitä ripustushihnan ripustuskoukku olkaimien tai lantiovyön renkasiin kuvan mukaisesti. Valitse hihnan tyyppi ja kiinnitysmenetelmä käytön mukaan.

- Kuva37: 1. Rengas 2. Ripustuskoukku

- Kuva38: 1. Rengas 2. Ripustuskoukku

2. Kiinnitä ripustuskoukku työkaluun.

- Kuva39: 1. Ripustuskoukku

Työkalun irrottaminen

Kun asetat työkalun maahan, avaa ripustushihnan solki toisella kädellä ja pidä samalla toisella kädellä kiinni työkalusta.

- Kuva40: 1. Solki

HUOMAA: Kaikissa hihnoissa ei ole välttämättä solkea.

Toimi seuraavien ohjeiden mukaan, jos työkalu on vapautettava nopeasti.

1. Avaa lantiovyön solki painamalla sen vipuja.

► **Kuva41:** 1. Solki 2. Vipu

2. Vapauta työkalu ja yksikkö sujauttamalla olkaimet pois olkapäiltä.

► **Kuva42:** 1. Olkaimet

KUNNOSSAPITO

▲HUOMIO: Varmista aina ennen tarkastusta tai huoltoa, että työkalu on sammutettu ja akku irrotettu.

▲HUOMIO: Käytä aina suojakäsineitä, kun tarkastat laitetta tai teet huoltotyötä.

HUOMAUTUS: Älä koskaan käytä bensiiniä, ohenteita, alkoholia tai tms. aineita. Muutoin pinta voi halkeilla tai sen värit ja muoto voivat muuttua. Muutoin laitteeseen voi tulla värjäytyimiä, muodon vääristymiä tai halkeamia.

Tuotteen TURVALLISUUDEN ja LUOTETTAVUUDEN takaamiseksi korjaukset, muut huoltotyöt ja säädöt on teetettävä Makitan valtuutetussa huoltopisteessä Makitan varaosia käyttäen.

Ketjun teroitus

Teroita ketju, kun:

- Kostea puuta sahatessa syntyy jauhomaista sahajauhoa;
- Ketju tunkeutuu puuhun heikosti, vaikka sahaa painettaisiin voimakkaasti;
- Leikkuureuna on selvästi vaurioitunut;
- Saha vetää puussa vasemmalle tai oikealle. (tähän on syynä ketjun epätasainen teroitus tai toisen puolen vaurioituminen)

Teroita ketju säännöllisesti, mutta poista vain vähän materiaalia kerrallaan. Kaksi tai kolme viilan vetoa tavallisesti riittää tavanomaisessa teroituksessa. Kun olet teroittanut ketjun useaan kertaan, teroituta se valtuutetussa huoltoliikkeessä.

Teroituskriteerit:

▲VAROITUS: Suuri etäisyys leikkausterän ja syvyydensäätohampaan välillä lisää takapotkun vaaraa.

► **Kuva43:** 1. Leikkauspituus 2. Etäisyys leikkausterän ja syvyydensäätohampaan välillä 3. Minimileikkauspituus (3 mm)

- Kaikkien hampaiden täytyy olla yhtä pitkiä. Eripituiset hampaat estävät ketjua pyörimästä tasaisesti ja voivat aiheuttaa ketjun katkeamisen.
- Älä teroita ketjua, kun hampaan pituus on 3 mm tai lyhyempi. Ketju on vaihdettava uuteen.
- Lastun paksuuden määrää syvyydensäätohampaan (pyöreä kärki) ja leikkuureunan välinen etäisyys.

- Paras sahaustulos saadaan, kun leikkuuterän ja syvyydensäätohampaan välinen etäisyys on seuraava.

- Ketjuterä 90PX : 0,65 mm
- Ketjuterä 91PX : 0,65 mm

► **Kuva44**

- Kaikkien hampaiden teroituskulman täytyy olla 30 astetta. Kulmapoikkeamat saavat ketjun pyörimään epätasaisesti, lisäävät kulumista ja aiheuttavat ketjujen katkeamisen.
- Käytä sopivaa pyöreää viilaa, jotta oikea teroituskulma pidetään hampaassa.
 - Ketjuterä 90PX : 55°:ssa
 - Ketjuterä 91PX : 55°:ssa

Viila ja viilan opaste

- Käytä ketjun teroitukseen pyöreää erikoisviilaa (lisävaruste). Tavanomaiset pyöreät viilat eivät sovi tähän tarkoitukseen.
- Pyöreän viilan läpimitat kullekin ketjulle ovat seuraavat:
 - Ketjuterä 90PX : 4,5 mm
 - Ketjuterä 91PX : 4,0 mm
- Viila saa ottaa hampaaseen vain eteenpäin suuntautuvalla vedolla. Nosta viila irti hampaasta paluuvedolla.
- Teroita lyhyin hammas ensimmäiseksi. Tämän hampaan pituutta käytetään sitten ketjun muiden hampaiden mittana.
- Ohjaa viilaa kuvan osoittamalla tavalla.

► **Kuva45:** 1. Viila 2. Teräketju

- Viilan ohjaaminen helpottuu, jos käytetään viilaohjainta (lisävaruste). Oikea 30° teroituskulma on merkitty viilaohjaimen (kohdista merkinnät niin, että ne ovat yksisuuntaisia teräketjun kanssa). Ohjain rajoittaa myös tunkeumasyyvyyden oikeaksi (4/5 viilan halkaisijasta).

► **Kuva46:** 1. Viilan pidike

- Teroituksen jälkeen tarkista syvyydensäätohampaan korkeus ketjunmittaustyökalulla (lisävaruste).

► **Kuva47**

- Poista kaikki, myös aivan vähäinen ulkoneva aines erikoislattaviilalla (lisävaruste).
- Pyöristä syvyydensäätohampaan etuosa uudelleen.

Terälevyn puhdistus

Lastut ja sahanpuru kerääntyvät terälevyuraan. Ne tukkivat sen ja heikentävät öljyn virtauksen. Puhdista saha aina lastuista ja sahanpuruista sahan teroituksen tai ketjunvaihdon yhteydessä.

► **Kuva48**

Hammaspyörän kotelon puhdistaminen

Lastut ja sahanpuru kerääntyvät hammaspyörän koteloon. Irrota hammaspyörän kotelo ja teräketju työkalusta ja poista lastut ja sahanpuru.

► **Kuva49**

Öljynpäästöaukon puhdistus

Öljynpäästöaukkoon saattaa kerääntyä käytön aikana hienojakoista pölyä tai muita hiukkasia. Öljysuodattimessa kerääntynyt vähäinen pöly tai muut hiukkaset saattavat heikentää päästövirtaa ja aiheuttaa sahalle riittämättömän voitelun. Jos terälevyn kärkeen ei tule riittävästi öljyä, puhdista öljynpäästöaukko seuraavasti.

1. Poista hammaspyörän kotelo ja ketju työkalusta.
2. Poista hienojakoinen pöly tai hiukkaset tasapääruuvitaltalla tai vastaavalla.
▶ **Kuva50:** 1. Ristipääruuvitalta 2. Öljynpoistoaukko
3. Kiinnitä akkupaketti ketjusahaan. Vedä liipaisinkytkimestä, jotta kerääntynyt pöly tai muut hiukkaset voisivat virrata pois öljynpäästöaukosta ketjuöljyn vapauttaen.
4. Irrota akkupaketti työkalusta. Asenna uudelleen hammaspyörän kotelo ja ketju työkaluun.

Hammaspyörän vaihtaminen

⚠HUOMIO: Kulunut hammaspyörä vahingoittaa uutta teräketjua. Tässä tapauksessa vaihda kulunut hammaspyörä.

Tarkista hammaspyörän kunto ennen uuden teräketjun asentamista. Jos hammaspyörä on kulunut tai vaurioitunut, vaihdata se valtuutetussa Makita-huoltoliikkeessä.
▶ **Kuva51:** 1. Hammaspyörä 2. Kuluvat alueet

Työkalun säilyttäminen

1. Puhdista ketjusaha ennen säilytystä. Poista kaikki lastut ja sahanpurut ketjusahasta hammaspyörän suojuksen poistamisen jälkeen.
2. Kun olet puhdistanut sahan, käytä sitä ilman kuormaa, jotta öljy levittyy terälevyyn ja ketjuun.
3. Peitä terälevy terälevyn suojalla ja lyhennä sitten varsi.
4. Tyhjennä öljysäiliö.

Määräaikaishuolto

Tekemällä seuraavat huoltotoimenpiteet säännöllisesti voit varmistaa pitkän käyttöiän, ehkäistä vikoja ja varmistaa turvalaitteiden moitteettoman toiminnan. Takuu edellyttää, että huollot tehdään säännöllisesti ja ohjeiden mukaan. Huollon laiminlyönti voi aiheuttaa tapaturmavaaran! Työkalun käyttäjä ei saa tehdä huoltotöitä, joista ei ole ohjeistettu näissä käyttöohjeissa. Kaikki tällaiset huoltotyöt on teetettävä valtuutetussa huoltoliikkeessä.

Tarkistettava kohde / käyttöaika		Ennen käyttöä	Päivittäin	Kerran viikossa	3 kuukauden välein	Kerran vuodessa	Ennen varastointia
Koko työkalu	Tarkastus.	✓	-	-	-	-	-
	Puhdistus.	-	✓	-	-	-	-
	Ota yhteys valtuutettuun huoltoliikkeeseen.	-	-	-	-	✓	✓
Teräketju	Tarkastus.	✓	-	-	-	-	-
	Teroita tarvittaessa.	-	-	-	-	-	✓
Terälevy	Tarkastus.	✓	✓	-	-	-	-
	Irrota työkalusta.	-	-	-	-	-	✓
Ketjun voitelu	Tarkista öljynsyöttömäärä.	✓	-	-	-	-	-
Liipaisinkytkin	Tarkastus.	✓	-	-	-	-	-
Lukitusvipu	Tarkastus.	✓	-	-	-	-	-
Öljysäiliön korkki	Tarkista kireys.	✓	-	-	-	-	-
Ruuvit ja mutterit	Tarkastus.	-	-	✓	-	-	-

VIANMÄÄRITYS

Tarkista laite ensin itse, ennen kuin viet sen korjattavaksi. Jos ongelmaan ei löydy ratkaisua käyttöoppaasta, älä kuitenkaan yritä purkaa työkalua osiin. Ota sen sijaan yhteyttä Makita-huoltoliikkeeseen. Käytä korjaamiseen aina alkuperäisiä Makita-varaosia.

Toimintahäiriö	Syy	Toimenpide
Työkalu ei käynnisty.	Akkupakettia ei ole asennettu.	Asenna ladattu akkupaketti paikalleen.
	Akkuongelma (alijännite).	Lataa akkupaketti. Jos lataaminen ei toimi, vaihda akkupaketti.
	Päävirtakytkin pois päältä.	Työkalu sammuu automaattisesti, jos sitä ei käytetä tietyn ajan kuluessa. Kytke päävirtakytkin päälle uudelleen.
Moottori pysähtyy lyhyen käytön jälkeen.	Akun varaustila on alhainen.	Lataa akkupaketti. Jos lataaminen ei toimi, vaihda akkupaketti.
Ketjussa ei ole öljyä.	Öljysäiliö tyhjä.	Täytä öljysäiliö.
	Öljyn syöttöura on likainen.	Puhdista ura.
Työkalun ei saavuta suurinta kierrosnopeutta.	Akkupaketti on asennettu väärin.	Asenna akkupaketti tämän käyttöohjeen ohjeiden mukaan.
	Akun teho laskee.	Lataa akkupaketti. Jos lataaminen ei toimi tehokkaasti, vaihda akkupakettia.
	Vetojärjestelmä ei toimi oikein.	Pyydä valtuutettua paikallista huoltoliikettä korjaamaan laite.
Päävirran merkkivalo vilkkuu vihreänä.	Liipaisinkytkintä painettu käyttämättömässä tilassa.	Paina liipaisinkytkintä vain, kun päävirtakytkin on kytketty päälle.
Epänormaali tärinä: Pysäytä työkalu välittömästi!	Löysää terälevyä tai teräketjua.	Säädä terälevyä ja teräketjun kireyttä.
	Työkalun toimintahäiriö.	Pyydä valtuutettua paikallista huoltoliikettä korjaamaan laite.
Teräketjun asentaminen ei onnistu.	Teräketjun ja hammaspyörän yhdistelmä ei ole oikea.	Tarkista oikeat teräketjun ja hammaspyörän yhdistelmät teknisten tietojen osiosta ja käytä oikeaa yhdistelmää.

LISÄVARUSTEET

⚠️HUOMIO: Seuraavia lisävarusteita tai laitteita suositellaan käytettäväksi tässä ohjeessa kuvatun Makita-työkalun kanssa. Muiden lisävarusteiden tai laitteiden käyttö voi aiheuttaa henkilövahinkoja. Käytä lisävarusteita ja -laitteita vain niiden käyttötarkoituksen mukaisesti.

Jos tarvitset apua tai yksityiskohtaisempia tietoja seuraavista lisävarusteista, ota yhteys paikalliseen Makitan huoltoon.

- Teräketju
- Terälevy
- Terälevyn suojus
- Viila
- Aito Makita-akku ja -laturi

⚠️VAROITUS: Jos ostat muun pituisen terälevyn kuin vakioterälevy, osta myös siihen sopiva terälevyn suoja. Sen on sovittava terälevyyn ja peitettävä se kokonaan työkaluun kiinnitettynä.

HUOMAA: Jotkin luettelossa mainitut varusteet voivat sisältyä työkalun toimitukseen vakiovarusteina. Ne voivat vaihdella maittain.

SPECIFIKATIONER

Model:		UA004G
Samlet længde (uden sværd og batteri)		2.516 - 3.748 mm
Mærkespænding		D.C. 36 V - 40 V maks.
Nettovægt	*1	7,8 kg
	*2	7,8 - 9,1 kg
Længde af standardsværd		300 mm
Anbefalet længde af sværd	med 90PX	250 - 300 mm
	med 91PX	250 - 300 mm
Anvendelig savkædetype (se tabellen nedenfor)		90PX 91PX
Standardkædehjul	Antal tænder	6
	Tandafstand	3/8"
Kædehastighed		0 - 20 m/s (0 - 1.200 m/min)
Volumen af kædeolietank		160 cm ³
Beskyttelsesgrad		IPX4

- På grund af vores kontinuerlige forsknings- og udviklingsprogrammer kan hosstående specifikationer blive ændret uden varsel.
- Specifikationer kan variere fra land til land.

*1: Vægt, med største akku og tom olietank, og uden sværd, kæde og skuldersele, i henhold til EN ISO11680-1.

*2: Den letteste og tungeste kombination af vægt i henhold til EPTA-Procedure 01/2014. Vægten kan være anderledes afhængigt af tilbehøret, inklusive akkuen.

Anvendelig akku og oplader

Akkue	BL4020 / BL4025 / BL4040* / BL4050F* / BL4080F* * : Anbefalet batteri
Oplader	DC40RA / DC40RB / DC40RC

- Nogle af de akkuer og opladere, der er angivet ovenfor, er muligvis ikke tilgængelige, afhængigt af hvilket område du bor i.

⚠ ADVARSEL: Brug kun de akkuer og opladere, der er angivet ovenfor. Brug af andre akkuer og opladere kan medføre personskaade og/eller brand.

Anbefalet ledningstilsluttet strømforsyningskilde

Bærbart strømforsyning	PDC01 / PDC1200
------------------------	-----------------

- Den eller de ovenfor anførte ledningstilsluttede strømforsyningskilder er muligvis ikke tilgængelige, afhængigt af hvilket område du bor i.
- Inden du bruger den ledningstilsluttede strømforsyningskilde, skal du læse instruktionen og advarselmærkerne på dem.

Kombination af savkæde, sværd og kædehjul

Savkædetype		90PX
Antal drivled		46
Sværd	Længde af sværd	300 mm
	Snitlængde	296 mm
	Tandafstand	3/8"
	Afstand	1,1 mm
	Type	Kædehjulspids
Kædehjul	Antal tænder	6
	Tandafstand	3/8"

Savkædetype		91PX
Antal drivled		46
Sværd	Længde af sværd	300 mm
	Snitlængde	296 mm
	Tandafstand	3/8"
	Afstand	1,3 mm
	Type	Kædehjulspids
Kædehjul	Antal tænder	6
	Tandafstand	3/8"

⚠ ADVARSEL: Brug en passende kombination af sværd og savkæde. I modsat fald kan det medføre tilskadekomst.

Symboler

Følgende viser de symboler, der muligvis anvendes til udstyret. Sørg for, at du forstår deres betydning før brugen.

	Læs brugsanvisningen.
	Brug hjelm, beskyttelsesbriller og høreværn.
	Brug arbejdshandsker.
	Bær solide støvler med skridsikre såler. Sikkerhedsstøvler med stålspids anbefales.
	Pas på elektriske ledninger, risiko for elektrisk stød.
	Hold en afstand på mindst 15 m.
	Maks. tilladt skærelængde
	Retning af kædens bevægelse
	Kædeolietank
	Varme overflader - Forbrændinger af fingre og hænder.



Kun for lande inden for EU
På grund af tilstedeværelsen af farlige komponenter i udstyret kan affald af elektrisk og elektronisk udstyr, akkumulatører og batterier have en negativ indvirkning på miljøet og folkesundheden.

Bortskaf ikke elektriske og elektroniske apparater eller batterier sammen med husholdningsaffald!

I overensstemmelse med EF-direktiv om affaldshåndtering af elektrisk og elektronisk udstyr og om akkumulatører og batterier og affaldsakkumulatører og -batterier, og i overensstemmelse med national lovgivning, skal brugt elektrisk udstyr, batterier og akkumulatører opbevares separat og leveres til et separat indsamlingssted for kommunalt affald, der er etableret i henhold til bestemmelserne om miljøbeskyttelse. Dette er angivet ved symbolet på den krydsede skraldespand, der er placeret på udstyret.



Garanteret lydeffektniveau i henhold til EU-direktivet om maskiner til udendørs brug.



Lydeffektniveau i henhold til Australiens NSW forordning om støjemission

Tilsløget anvendelse

Denne maskine er beregnet til beskæring af grene og hovedgrene.

Støj

Det typiske A-vægtede støjniveau bestemt i overensstemmelse med ISO22868(ISO11680-1):
Lydtryksniveau (L_{pA}) : 90 dB (A)
Lydeffektniveau (L_{WA}) : 105 dB (A)
Usikkerhed (K): 3 dB (A)

BEMÆRK: De(n) angivne støjmissionsværdi(er) er målt i overensstemmelse med en standardtestmetode og kan anvendes til at sammenligne en maskine med en anden.

BEMÆRK: De(n) angivne støjmissionsværdi(er) kan også anvendes i en præliminær eksponeringsvurdering.

⚠ ADVARSEL: Bær høreværn.

⚠ ADVARSEL: Støjmissionen under den faktiske anvendelse af maskinen kan være forskellig fra de(n) angivne værdi(er), afhængigt af den måde hvorpå maskinen anvendes, især den type arbejdsemne der behandles.

⚠ ADVARSEL: Sørg for at identificere de sikkerhedsforskrifter til beskyttelse af operatøren, som er baseret på en vurdering af eksponering under de faktiske brugsforhold (med hensyntagen til alle dele i brugscykklussen, f.eks. de gange, hvor maskinen er slukket, og når den kører i tomgang i tilgift til afbrydertiden).

Vibration

Venstre håndtag (forreste greb)		Højre håndtag (bageste greb)		Gældende standard
ah (m/s ²)	Usikkerhed K (m/s ²)	ah (m/s ²)	Usikkerhed K (m/s ²)	
2,5	1,5	3,1	1,5	ISO22867(ISO11680-1)

BEMÆRK: De(n) angivne totalværdi(er) for vibration er målt i overensstemmelse med en standardtestmetode og kan anvendes til at sammenligne en maskine med en anden.

BEMÆRK: De(n) angivne totalværdi(er) for vibration kan også anvendes i en præliminær eksponeringsvurdering.

⚠ ADVARSEL: Vibrationsemissionen under den faktiske anvendelse af maskinen kan være forskellig fra de(n) angivne værdi(er), afhængigt af den måde hvorpå maskinen anvendes, især den type arbejdsemne der behandles.

⚠ ADVARSEL: Sørg for at identificere de sikkerhedsforskrifter til beskyttelse af operatøren, som er baseret på en vurdering af eksponering under de faktiske brugsforhold (med hensyntagen til alle dele i brugscykklussen, f.eks. de gange, hvor maskinen er slukket, og når den kører i tomgang i tilgift til afbrydertiden).

EF-overensstemmelseserklæring

Kun for lande i Europa

EF-overensstemmelseserklæringen er inkluderet som Bilag A i denne brugsanvisning.

SIKKERHEDSADVARSLER

Almindelige sikkerhedsregler for el-værktøj

⚠ ADVARSEL: Læs alle de sikkerhedsadvarsler, instruktioner, illustrationer og specifikationer, der følger med denne maskine. Forsømmelse af at overholde alle nedenstående instruktioner kan medføre elektrisk stød, brand og/eller alvorlig personskade.

Gem alle advarsler og instruktioner til fremtidig reference.

Ordet "el-værktøj" i advarslerne henviser til det netforsyede (netledning) el-værktøj eller batteriforsyede (akku) el-værktøj.

Sikkerhedsadvarsler for akku teleskopisk stangsav

Generelle forholdsregler

1. Læs denne brugsanvisning, før du starter maskinen for at blive fortrolig med håndteringen af maskinen.
2. Udlån ikke maskinen til en person med utilstrækkelig erfaring eller viden om håndtering af maskinen.
3. Ved udlån af maskinen skal du altid vedlægge denne brugsanvisning.
4. Lad ikke børn eller unge under 18 år bruge maskinen. Hold dem væk fra maskinen.
5. Håndter maskinen med den største forsigtighed og opmærksomhed.
6. Brug aldrig maskinen, når du har indtaget alkohol eller narkotika, eller hvis du føler dig træt eller syg.
7. Forsøg aldrig at ændre maskinen.
8. Anvend ikke maskinen i dårligt vejr, især når der er risiko for lynnedslag. Dette reducerer risikoen for, at du rammes af lynnedslag.
9. Nationale bestemmelser begrænser muligvis brugen af maskinen. Overhold bestemmelserne i dit land vedrørende håndtering af maskinen.

Personligt beskyttelsesudstyr

1. Bær sikkerhedshjelm, beskyttelsesbriller og beskyttelseshandsker som beskyttelse mod flyvende partikler eller faldende genstande.
2. Bær høreværn som f.eks. høreværn for at forhindre høretab.
3. Bær egnet tøj og sko til sikker drift, såsom en arbejdsoverall og solide, skridsikre sko. Undlad at bære løstsiddende tøj eller smykker. Løstsiddende tøj, smykker eller langt hår kan blive fanget i de bevægelige dele.
4. Når du håndterer savkæden eller justerer kædespændingen, skal du anvende beskyttelseshandsker. En savkæde kan skære bare hænder alvorligt.

Sikkerhed i arbejdsområdet

1. Hold maskinen mindst 15 m væk fra elledninger og kommunikationskabler (herunder eventuelle grene som er i berøring med dem). Hvis maskinen berører eller kommer i nærheden af højspændingsledninger, kan det medføre dødsfald eller alvorlig personskade. Læg mærke til strømforsyningsledninger og elektriske hegn omkring arbejdsområdet, før du påbegynder brugen.
2. Brug kun maskinen i god sigtbarhed og dagslys. Brug ikke maskinen i mørke eller tåge.
3. Under brug må du aldrig stå på en ustabil eller glat overflade eller en stejl skråning. I den kolde årstid skal du være opmærksom på is og sne og altid sørge for sikkert fodfæste.
4. Hold tilskuere og dyr mindst 15 m væk fra maskinen under brugen. Stop maskinen, så snart nogen nærmer sig.
5. Når der arbejdes med to eller flere personer, skal der holdes en afstand på mindst 15 m eller mere mellem hinanden, og der skal være en arbejdsleder.
6. Før brugen skal du kontrollere arbejdsområdet for trådhegn, mure eller andre hårde genstande. De kan beskadige savkæden.

Forberedelse

1. Før samling eller justering af maskinen, skal du slukke for maskinen og fjerne akkuen.
2. Inden du håndterer savkæden eller justerer kædespændingen, skal du anvende beskyttelseshandsker.
3. Før du starter maskinen, skal du inspicere maskinen for skader, løse skruer/møtrikker eller forkert samling. Skærp en sløv savkæde. Hvis savkæden er bøjet eller beskadiget, skal den udskiftes. Kontroller, at alle kontrolhåndtag og kontakter nemt kan betjenes. Rengør og aftør grebene.
4. Forsøg aldrig at starte maskinen, hvis maskinen er beskadiget eller ikke er helt samlet. Ellers kan det medføre alvorlig personskade.
5. Juster skulderselen, så den passer til operatørens kroppsstørrelse.
6. Juster kædespændingen ordentligt. Påfyld kædeolien om nødvendigt.

Start af maskinen

1. Bær det personlige beskyttelsesudstyr, før du starter maskinen.
2. Før du starter maskinen, skal du sikre dig, at der ikke er personer eller dyr i arbejdsområdet.
3. Når du indsætter en akku, skal du holde savkæden og sværdet fri af din krop og andre genstande, herunder jorden. Savkæden bevæger sig muligvis ved start, og kan muligvis medføre alvorlig tilskadekomst eller beskadigelse af savkæden og/eller tingsskade.
4. Placer maskinen på fast grund. Bevar en god balance og et sikkert fodfæste.

Drift

1. Sluk for maskinen med det samme i en nødsituation.
2. Sluk for maskinen, hvis du bemærker unormale forhold (f.eks. støj, vibration) under brugen. Brug ikke maskinen, før årsagen er identificeret og afhjulpet.
3. Savkæden fortsætter med at bevæge sig i en kort periode, efter maskinen er blevet slukket. Berør ikke savkæden for hurtigt.
4. Brug skulderselen under anvendelse. Hold maskinen fast på din højre side.
5. Hold i det forreste greb med din venstre hånd og i det bageste greb med din højre hånd, uanset om du er højrehåndet eller venstrehåndet. Placer fingrene og tommelfingrene omkring grebene.
6. Hold altid kun i maskinen i de isolerede grebflader, da savkæden kan komme i berøring med skjulte ledninger. En savkæde, der kommer i berøring med en strømførende ledning, kan gøre de uisolerede metaldele på beskæresaksen med udvidet rækkevidde strømførende, hvilket kan give operatøren elektrisk stød.
7. Forsøg aldrig at betjene maskinen med én hånd. Tab af kontrollen kan medføre alvorlig eller dødelig personskade. Hold hænderne og fødderne på afstand af savkæden for at reducere risikoen for tilskadekomst.
8. Stræk dig ikke for langt. Sørg hele tiden for sikkert fodfæste og balance. Se efter skjulte forhindringer som f.eks. træstubbe, rødder og grøfter for at undgå at undgå at snuble. Ryd nedfaldne grene og andre genstande væk.
9. Arbejd aldrig på en stige eller et træ for at undgå tab af kontrol.
10. Hvis maskinen udsættes for hårde stød, eller den tabes, skal du kontrollere dens tilstand, før du fortsætter arbejdet. Hvis der er nogen beskadigelse eller tvivl, skal du bede et Makita-autoriseret servicecenter om at udføre inspektion og reparation.
11. Rør ikke ved hovedet på maskinen. Hovedet på maskinen bliver varmt under anvendelse.
12. Hold pause for at undgå at miste kontrollen på grund af træthed. Vi anbefaler, at du holder 10 til 20 minutters hvil hver time.
13. Når du forlader maskinen, skal du altid slukke for maskinen og fjerne akkuen, også selvom det kun er i kort tid. Den kørende maskine, som ikke er under opsyn, kan muligvis blive anvendt af uautoriserede personer og forårsage en alvorlig ulykke.

14. Når du anvender maskinen, skal du ikke løfte din højre hånd over skulderhøjde.
15. Under anvendelse skal du aldrig støde savkæden mod hårde genstande såsom sten og søm. Vær især forsigtig ved skæring af grene tæt på mure, trådhegn eller lignende.
16. Hvis grene sidder fast i maskinen, skal du altid stoppe maskinen og fjerne akkuen. Ellers kan utilsigtet start medføre alvorlig personskade.
17. Hvis savkæden bliver tilstoppet, skal du altid slukke for maskinen og fjerne akkuen inden rengøring.
18. Accelerering af maskinen med savkæden blokeret forøger belastningen og vil beskadige maskinen.
19. Inden skæring af hovedgrene skal der være et flugtområde væk fra den nedfaldende hovedgren. Først skal forhindringer som fx hovedgrene og grene fjernes fra arbejdsområdet. Flyt alle maskiner og gods fra flugtområdet til et andet sikkert sted.
20. Inden skæring af grene eller hovedgrene skal du kontrollere faldretningen for dem, overveje grenenes og hovedgrenenes tilstand, tilstødende træer, vindretning osv. Vær meget opmærksom på faldretningen og tilbageslag af den gren, som rammer jorden.
21. Hold aldrig maskinen på en vinkel på mere end 60°. Ellers kan faldende genstande ramme operatøren og forårsage alvorlig personskade. Stå aldrig neden under den hovedgren, som skæres.
22. Vær opmærksom på afbrækkede eller bøjede grene. De kan muligvis slå tilbage ved skæring og forårsage uventet personskade.
23. Inden skæring af hovedgrene, som du har i sinde at skære, skal grene og blade rundt om dem fjernes. Ellers kan savkæden muligvis sætte sig fast i dem.
24. For at forhindre savkæden i at sætte sig fast i savsnittet, skal du ikke slippe armen, før du trækker savkæden ud af savsnittet.
25. Hvis savkæden sidder fast i savsnittet, skal du straks stoppe maskinen, forsigtigt flytte grenen for at åbne savsnittet og frigøre savkæden.
26. Undgå tilbageslag (roterende reaktiv kraft mod operatøren). For at forhindre tilbageslag skal du aldrig anvende sværdnåsen eller udføre et gennemtrængende snit. Vær altid bevidst om positionen af sværdnåsen.
27. Kontroller jævnlige kædespændingen. Når kædespændingen kontrolleres eller justeres, skal du slukke for maskinen og fjerne akkuen. Hvis spændingen er løs, skal den strammes.
28. Vær opmærksom på dit fodfæste, når du bruger maskinen på mudret jord, en våd skrånning eller et glat sted.
29. Undlad at nedsænke maskinen i en vandpyt.
30. Efterlad ikke maskinen uden opsyn udendørs i regnvejr.

Transport

1. Før transport af maskinen, skal du slukke for maskinen og fjerne akkuen. Monter altid sværdbeskytteren under transport.

2. Når du transporterer maskinen, skal du bære den i vandret stilling ved at holde i grebet.

Vedligeholdelse

1. Få dit udstyr efterset af vores autoriserede servicecenter, og brug altid kun originale reservedele. Forkert reparation og dårlig vedligeholdelse kan forkorte maskinens levetid og øge risikoen for ulykker.
2. Før der udføres nogen form for vedligeholdelse, reparationsarbejde eller rengøring af maskinen, skal du altid slukke for maskinen og fjerne akkuen. Vent indtil maskinen køler ned.
3. Bær altid arbejdshandsker, når du håndterer savkæden.
4. Tilspænd alle skruer og møtrikker efter hver brug, undtagen skruerne til justering.
5. Hold savkæden skarp. Hvis savkæden er blevet sløv, og skæreydelsen er dårlig, skal du bede et autoriseret Makita-servicecenter om at skærpe den eller udskifte den med en ny.
6. Forsøg ikke at udføre vedligeholdelse eller reparationsarbejde, der ikke er beskrevet i denne brugsanvisning. Bed et autoriseret Makita-servicecenter om at udføre sådant arbejde.
7. Brug altid kun ægte reservedele og tilbehør fra Makita. Brug af dele eller tilbehør fra tredjepart kan medføre sammenbrud af maskinen, materiel skade og/eller alvorlig personskade.

Opbevaring

1. Udfør komplet rengøring og vedligeholdelse, før maskinen opbevares. Monter sværdbeskytteren. Fjern akkuen. Tøm kædeolien af, efter maskinen er kølet ned.
2. Opbevar maskinen på et tørt og højt eller aflåst sted, der er utilgængeligt for børn.
3. Stil ikke maskinen op ad noget som f.eks. en væg. Ellers kan den vælte pludseligt og forårsage personskade.
4. Undgå direkte sollys og regn ved opbevaring af maskinen, og opbevar den på et sted, hvor det ikke bliver varmt eller fugtigt.

Elektrisk sikkerhed og batterisikkerhed

1. Undlad at kaste batterierne i åben ild. Cellen kan eksplodere. Tjek de lokale regler for eventuelle særlige instruktioner vedrørende bortskaffelse.
2. Undlad at åbne eller mishandle batterierne. Lækket elektrolyt er ætsende og kan medføre skader på øjnene eller huden. Den kan være giftig, hvis den indtages.
3. Undlad at oplade batteriet i regnvejr eller under våde forhold.
4. Oplad ikke batteriet uden døre.
5. Håndter ikke oplader, herunder opladerstik, og opladerterminaler med våde hænder.
6. Undgå farlige miljøer. Brug ikke maskinen på fugtige eller våde steder, og udsæt den ikke for regn. Hvis der kommer vand ind i maskinen, forøger det risikoen for elektrisk stød.
7. Undlad at udskifte batteriet i regnvejr.

GEM DENNE BRUGSANVISNING.

⚠ ADVARSEL: LAD IKKE bekvemmelighed eller kendskab til produktet (opnået gennem gentagen brug) forhindre, at sikkerhedsforskrifterne for produktet nøje overholdes. MISBRUG eller for sømmelse af at følge de i denne brugsvejledning givne sikkerhedsforskrifter kan føre til, at De kommer alvorligt til skade.

Vigtige sikkerhedsinstruktioner for akkuen

1. Læs alle instruktioner og advarselmærkater på (1) akku-opladeren, (2) akkuen og (3) produktet, som anvender akku.
2. Adskil eller ændr ikke akkuen. Det kan muligvis resultere i en brand, overdreven varme eller eksplosion.
3. Hold straks op med anvendelsen, hvis brugstiden er blevet stærkt afkortet. Fortsat anvendelse kan resultere i risiko for overophedning, forbrændinger og endog eksplosion.
4. Hvis De har fået elektrolytvæske i øjnene, skal De straks skylle den ud med rent vand og derefter øjeblikkeligt søge lægehjælp. I modsat fald kan De miste synet.
5. Vær påpasselig med ikke at komme til at kortslutte akkuen:
 - (1) Rør ikke ved terminalerne med noget ledende materiale.
 - (2) Undgå at opbevare akkuen i en beholder sammen med andre genstande af metal, for eksempel søm, mønter og lignende.
 - (3) Udsæt ikke akkuen for vand eller regn. Kortslutning af akkuen kan forårsage en kraftig øgning af strømmen, overophedning, mulige forbrændinger og endog værktøjstop.
6. Opbevar og brug ikke maskinen og akkuen på steder, hvor temperaturen muligvis kan nå eller overstige 50 °C.
7. Lad være med at brænde akkuen, selv ikke i tilfælde, hvor den har lidt alvorlig skade eller er fuldstændig udtjent. Akkuen kan eksplodere, hvis man forsøger at brænde den.
8. Slå ikke søm i, skær ikke i, knus, kast, tab ikke akkuen og stød ikke akkuen mod en hård genstand. Sådan adfærd kan muligvis resultere i en brand, overdreven varme eller eksplosion.
9. Anvend ikke en beskadiget akku.
10. De indbyggede litium-ion-batterier er underlagt lovkrav vedrørende farligt gods. Ved kommerciel transport, f.eks. af tredjeparts transportselskaber, skal særlige krav til forpakning og mærkning overholdes. Ved forberedelse af udstyret til forsendelse skal du kontakte en ekspert i farligt gods. Overhold også eventuel mere detaljeret national lovgivning. Tape eller tildæk åbne kontakter, og pak batteriet på en måde, så det ikke kan flytte sig rundt i pakningen.

11. Når akkuen bortscaffes, skal du fjerne den fra maskinen og bortscaffe den på et sikkert sted. Følg de lokale love vedrørende bortscaffelsen af batterier.
12. Brug kun batterierne med de produkter, som Makita specificerer. Hvis batterierne installeres i ikke-kompatible produkter, kan det medføre brand, kraftig varme, eksplosion eller udsivning af elektrolyt.
13. Hvis maskinen ikke skal bruges i længere tid ad gangen, skal du fjerne batteriet fra maskinen.
14. Akkuen kan muligvis under og efter brug være varm, hvilket kan forårsage forbrændinger eller lavtemperaturforbrændinger. Vær påpasselig med håndtering af varme akkuer.
15. Rør ikke terminalen på maskinen straks efter brug, da den bliver varm nok til at forårsage forbrændinger.
16. Sørg for, at spåner, støv eller jord ikke sætter sig fast i akkuens terminaler, huller og riller. Det kan forårsage opvarmning, antændelse, sprængning og funktionsfejl i maskinen eller akkuen, hvilket kan medføre forbrændinger eller personskade.
17. Medmindre maskinen understøtter brugen i nærheden af elektriske højspændingsledninger, skal du ikke anvende akkuen i nærheden af elektriske højspændingsledninger. Det kan muligvis medføre funktionsfejl på eller nedbrud af maskinen eller akkuen.
18. Opbevar batteriet utilgængeligt for børn.

GEM DENNE BRUGSANVISNING.

⚠ FORSIGTIG: Brug kun originale batterier fra Makita. Brug af uoriginale Makita-batterier, eller batterier som er blevet ændret, kan muligvis medføre brud på batteriet, hvilket kan forårsage brand, personskade eller beskadigelse. Det ugyldiggør også Makita-garantien for Makita-maskinen og opladeren.

Tips til opnåelse af maksimal akku-levetid

1. Oplad akkuen, inden den er helt afladet. Stop altid værktøjet, og oplad akkuen, hvis De bemærker, at værktøjeffekten er aftagende.
2. Genoplad aldrig en fuldt opladet akku. Overopladning vil afkorte akkuens levetid.
3. Oplad akkuen ved stuetemperatur ved 10 °C - 40 °C. Lad altid en varm akku få tid til at køle af, inden den oplades.
4. Når du ikke anvender akkuen, skal du fjerne den fra maskinen eller opladeren.
5. Oplad akkuen, hvis De ikke skal bruge den i længere tid (mere end seks måneder).

BESKRIVELSE AF DELENE

► Fig.1

1	Hovedstrømlampe	2	Hovedafbryder	3	Bøjle
4	Låsehåndtag	5	Akku	6	Afbryderknap
7	Bageste greb	8	Savkæde	9	Sværd
10	Olietankdæksel	11	Låsering	12	Holdemøtrik
13	Kædejusteringsskrue	14	Sværdbeskytter	15	Forreste greb

FUNKTIONSBESKRIVELSE

⚠ FORSIGTIG: Sørg altid for at maskinen er slukket, og at akkuen er taget ud, før der udføres justering eller kontrol af funktioner på maskinen.

Isætning eller fjernelse af akkuen

⚠ FORSIGTIG: Sluk altid for værktøjet, før De monterer eller fjerner akkuen.

⚠ FORSIGTIG: Hold værktøjet og akkuen fast ved montering eller fjernelse af akkuen. Hvis De ikke holder værktøjet og akkuen fast, kan de glide ud af hænderne på Dem og forårsage beskadigelse af værktøjet og akkuen eller personskade.

► Fig.2: 1. Rød indikator 2. Knap 3. Akku

Akkuen fjernes ved, at De trækker den ud af værktøjet, idet De skyder knappen på forsiden af akkuen i stilling.

For at montere akkuen skal du justere tungen på akkuen med rillen i huset og skubbe den på plads. Indsæt den hele vejen, indtil den låses på plads med et lille klik. Hvis du kan se den røde indikator, som vist i figuren, er den ikke helt låst.

⚠ FORSIGTIG: Monter altid akkuen helt, indtil den røde indikator ikke længere er synlig. Hvis dette ikke gøres, kan den falde ud af værktøjet ved et uheld, hvorved De selv eller personer i nærheden kan komme til skade.

⚠ FORSIGTIG: Brug ikke magt ved montering af akkuen. Hvis akkuen ikke glider på plads uden problemer, betyder det, at den ikke sættes i på korrekt vis.

Indikation af den resterende batteriladning

Tryk på kontrolknappen på akkuen for at få vist den resterende batteriladning. Indikatorlampe lyser i nogle sekunder.

► Fig.3: 1. Indikatorlamper 2. Kontrolknap

Indikatorlamper			Resterende ladning
Tændt	Slukket	Blinker	
■ ■ ■ ■			75% til 100%
■ ■ ■ □			50% til 75%
■ ■ □ □			25% til 50%
■ □ □ □			0% til 25%
▬ □ □ □			Genoplad batteriet.
■ ■ □ □			Der er muligvis fejl i batteriet.
□ □ ■ ■			

BEMÆRK: Afhængigt af brugsforholdene og den omgivende temperatur kan indikationen afvige en smule fra den faktiske ladning.

BEMÆRK: Den første indikatorlampe (længst mod venstre) vil blinke, når batteribeskyttelsessystemet aktiveres.

Beskyttelsessystem til værktøj/batteri

Maskinen er udstyret med et beskyttelsessystem til maskinen/batteriet. Dette system afbryder automatisk strømmen til motoren for at forlænge maskinens og batteriets levetid. Maskinen stopper automatisk under brugen, hvis maskinen eller batteriet udsættes for et af følgende forhold:

Overbelastningsbeskyttelse

Hvis batteriet anvendes på en måde, der bevirker, at det forbruger en unormal mængde strøm, vil maskinen automatisk stoppe, og hovedstrømlampen blinker grønt. I denne situation skal du slukke for maskinen og stoppe den anvendelse, som bevirkede, at maskinen blev overbelastet. Start derefter maskinen igen ved at tænde for den.

Beskyttelse mod overophedning

Hvis maskinen eller batteriet er overophedet, stopper maskinen automatisk, og hovedstrømlampen lyser rødt. Lad i så fald maskinen og batteriet køle ned, før der tændes for maskinen igen.

BEMÆRK: Under forhold med høje temperaturer vil beskyttelsen mod overophedning sandsynligvis fungere, og maskinen stopper automatisk.

Beskyttelse mod overafledning

Hvis batteriladningen er for lav, stopper maskinen automatisk, og hovedstrømlampen blinker rødt. Tag i så fald batteriet ud af maskinen, og lad batteriet op.

Beskyttelse mod andre årsager

Beskyttelsessystemet er også designet til andre årsager, der kan beskadige maskinen og gøre det muligt for maskinen at stoppe automatisk. Træf alle følgende foranstaltninger for at fjerne årsagerne, når maskinen midlertidigt er blevet bragt til standsning eller stoppet i drift.

1. Sluk for maskinen, og tænd den igen for at genstarte.
2. Oplad batteriet/batterierne, eller udskift det/dem med genopladet/genopladede batteri/batterier.
3. Lad maskinen og batteriet/batterierne køle af.

Hvis der ikke kan findes nogen forbedring ved at genoprette beskyttelsessystemet, skal det lokale Makita-servicecenter kontaktes.

Hovedafbryder

⚠ ADVARSEL: Sluk altid for hovedafbryderen, når maskinen ikke bruges.

Tryk på hovedafbryderen for at tænde for maskinen. Tryk på hovedafbryderen igen for at slukke.

► **Fig.4:** 1. Hovedstrømlampe 2. Hovedafbryder

BEMÆRK: Hovedstrømlampen blinker grønt, når du tænder på hovedafbryderen, mens lås fra-håndtaget holdes nede, og der trykkes på afbryderknappen. I dette tilfælde skal du slippe afbryderknappen og lås fra-håndtaget, og derefter tænde på hovedafbryderen.

BEMÆRK: Denne maskine har en funktion til automatisk slukning. For at undgå utilsigtet start slukker hovedafbryderen automatisk, når der ikke trykkes på afbryderknappen i en vis periode, efter at der tændes for hovedafbryderen.

Afbryderbetjening

⚠ ADVARSEL: Af hensyn til din sikkerhed er maskinen forsynet med et låsehåndtag, der forhindrer, at maskinen starter ved et uheld. Brug **ALDRIG** maskinen, hvis den kører, når du trykker på afbryderknappen uden at trykke på låsehåndtaget. Indlever maskinen til vores autoriserede servicecenter til korrekt reparation, FØR den benyttes igen.

⚠ ADVARSEL: Brug **ALDRIG** tape til at fastgøre aflåsehåndtaget eller på anden måde omgå dets formål og funktion.

⚠ FORSIGTIG: Inden akkuen sættes i maskinen, bør De altid kontrollere, at afbryderknappen fungerer korrekt, og returnerer til "OFF"-positionen, når den slippes.

BEMÆRKNING: Tryk ikke hårdt på afbryderknappen uden at trykke på aflåsehåndtaget. Dette kan forårsage afbryderbeskadigelse.

For at forhindre, at der trykkes på afbryderknappen ved et uheld, er den forsynet med et lås fra-håndtag. Maskinen startes ved at trykke lås fra-håndtaget ned og trykke på afbryderknappen. Maskinens hastighed øges ved at trykke hårdere på afbryderknappen. Slip afbryderknappen for at stoppe.

► **Fig.5:** 1. Afbryderknop 2. Låsehåndtag

Justering af rørlængden

For at forlænge eller forkorte røret, skal du løsne låseringen ved at dreje låseringen mod uret, derefter skal du justere længden af røret, og derefter skal du stramme ringen ved at dreje låseringen med uret.

► **Fig.6:** 1. Låsering 2. Rør

SAMLING

⚠ FORSIGTIG: Sørg altid for at maskinen er slukket, og at akkuen er taget ud, før der udføres noget arbejde på maskinen.

⚠ FORSIGTIG: Undlad at berøre savkæden med bare hænder. Bær altid beskyttelsehandsker, når du håndterer savkæden.

Samling af maskinen

1. Fjern 2 hætter fra røret og 1 hætte fra hovedet på maskinen.

► **Fig.7:** 1. Hætte 2. Rør 3. Hoved på maskine

2. Løsn 3 bolte og fjern derefter 1 bolt vha. sekskantnøglen.

► **Fig.8:** 1. Bolt

3. Sæt røret hele vejen ind i maskinens karosseri, og ret derefter hullet på røret ind med hullet på maskinens karosseri.

► **Fig.9:** 1. Hul 2. Rør

4. Stram 3 bolte vha. sekskantnøglen.

► **Fig.10:** 1. Bolt

5. Løsn 2 bolte og fjern derefter 1 bolt.

► **Fig.11:** 1. Bolt

6. Løsn låseringen ved at dreje låseringen mod uret, forlæng derefter røret ca. 10 cm eller mere, og stram derefter låseringen ved at dreje låseringen med uret.

► **Fig.12:** 1. Låsering 2. 10 cm eller mere 3. Rør

7. Sæt røret hele vejen ind i maskinens hoved, og ret derefter hullet på røret ind med hullet på maskinens hoved.

► **Fig.13:** 1. Hul 2. Rør

8. Stram 2 bolte vha. sekskantnøglen.

► **Fig.14:** 1. Bolt

Montering eller afmontering af savkæden

⚠FORSIGTIG: Savkæden og sværdet er stadig varme lige efter brugen. Lad dem køle tilstrækkeligt af, inden der udføres noget arbejde på maskinen.

⚠FORSIGTIG: Udfør proceduren med at montere eller fjerne savkæden på et rent sted uden savsmuld og lignende.

Montering af savkæden

For at montere savkæden skal du udføre følgende trin:

1. Løsn kædejusteringsskruen og derefter holdemøtrikken.
▶ **Fig.15:** 1. Holdemøtrik 2. Kædejusteringsskrue 3. Kædehjulsdæksel
2. Afmonter kædehjulsdækslet.
3. Kontroller savkædens retning. Tilpas savkædens retning med retningen på mærket på maskinens karosseri.
▶ **Fig.16:** 1. Mærke på kædesavens krop
4. Sæt den ene ende af savkæden på toppen af sværdet. Sæt den anden ende af savkæden rundt om kædehjulet. Sørg for at savkæden er placeret korrekt på kædehjulet, og placeret korrekt i rillen på sværdet.
5. Monter sværdet til maskinens karosseri, så hullet på sværdet er rettet ind med stiften på maskinens karosseri.
▶ **Fig.17:** 1. Hul 2. Kædehjul
6. Indsæt fremspringet på kædehjulsdækslet på maskinens karosseri, og luk derefter dækslet, så bolt og stift på maskinens karosseri møder modparterne på dækslet.
▶ **Fig.18:** 1. Kædehjulsdæksel 2. Fremspring 3. Bolt 4. Stift
7. Tilspænd holdemøtrikken for at fastgøre kædehjulsdækslet, og løs den derefter en smule for at justere spændingen.
▶ **Fig.19:** 1. Holdemøtrik

Når savkæden er blevet monteret, justeres savkædens spænding ved at se afsnittet for justering af savkædens spænding.

Afmontering af savkæden

For at fjerne savkæden skal du udføre følgende trin:

1. Løsn kædejusteringsskruen og derefter holdemøtrikken.
▶ **Fig.20:** 1. Holdemøtrik 2. Kædejusteringsskrue
2. Fjern kædehjulsdækslet, og fjern derefter savkæden og sværdet fra maskinens karosseri.

Justering af savkædens spænding

⚠FORSIGTIG: Stram ikke savkæden for meget. Ekstrem høj spænding af savkæden kan forårsage brud på savkæden og slitage af sværdet.

⚠FORSIGTIG: En kæde, der er for løs, kan hoppe af sværdet, og den kan forårsage en ulykke med tilskadekomst.

Savkæden kan blive løs efter mange timers brug. Kontroller fra tid til anden savkædens spænding inden brug.

1. Løsn holdemøtrikken en smule for at løsne kædehjulsdækslet let.
▶ **Fig.21:** 1. Holdemøtrik
2. Løft spidsen på sværdet en smule op, og juster kædens spænding. Drej kædejusteringsskruen mod uret for at stramme den, og drej den med uret for at løsne den. Stram savkæden, indtil den nederste side af savkæden passer ind i sværdkanten som vist.
▶ **Fig.22:** 1. Sværd 2. Savkæde 3. Kædejusteringsskrue
3. Hold fortsat sværdet løst, og monter kædehjulsdækslet. Sørg for, at savkæden ikke sidder løs på den nederste side.
4. Stram holdemøtrikken for at fastgøre kædehjulsdækslet.
▶ **Fig.23:** 1. Holdemøtrik

ANVENDELSE

Smøring

BEMÆRKNING: Når der påfyldes kædeolie for første gang, eller tanken fyldes op igen, efter at den er blevet helt tom, skal der påfyldes olie op til bundkanten af påfyldningsstudsene. Ellers kan olieforsyningen blive hindret.

BEMÆRKNING: Brug en savkædeolie, der udelukkende er beregnet til Makita-kædesave, eller tilsvarende olie, som fås i handelen.

BEMÆRKNING: Anvend aldrig olie, som indeholder snavs og partikler, eller flygtig olie.

BEMÆRKNING: Ved beskæring af træer skal der anvendes planteolie. Mineralisk olie kan skade træerne.

BEMÆRKNING: Kontroller inden skæringen, at det medfølgende olietankdæksel er skruet på plads.

Savkæden smøres automatisk, når maskinen er i brug. Kontroller regelmæssigt mængden af tilbageværende olie i olietanken.

▶ **Fig.24:** 1. Olietank

For at påfylde tanken skal du placere maskinen på en flad overflade, derefter trykke på knappen på olietankdækslet, så knappen på den anden side rejser op, og derefter fjerne olietankdækslet ved at dreje det.

Den korrekte mængde olie er 160 ml. Når tanken er fyldt op, skal du sikre dig, at olietankdækslet er strammet fast til.

▶ **Fig.25:** 1. Olietankdæksel 2. Tilspænd 3. Løsn

BEMÆRK: Hvis det er svært at fjerne olietankdækslet, skal du sætte topnøglen ind i åbningen i olietankdækslet og derefter fjerne olietankdækslet ved at dreje det mod uret.

▶ **Fig.26:** 1. Åbning 2. Topnøgle

Hold maskinen væk fra træet efter påfyldningen. Start den, og vent, indtil der er tilstrækkeligt smøremiddel på savkæden.

▶ **Fig.27**

Montering af skulderselen

⚠FORSIGTIG: Når du anvender maskinen kombineret med en strømforsyning af rygsæktypen som fx en bærbar strømforsyning, skal du ikke anvende den skuldersæle, som er inkluderet i pakken med maskinen, men anvende det hængende bånd, som anbefales af Makita.

Hvis du anvender den skuldersæle, som er inkluderet i pakken med maskinen, og skulderselen til en strømforsyning af rygsæktypen på samme tid, er det svært at fjerne maskinen eller strømforsyningen af rygsæktypen i et nødstilfælde, og det kan muligvis forårsage en ulykke eller personskade. Bed et autoriseret Makita-servicecenter om det anbefalede hængende bånd.

⚠FORSIGTIG: Brug altid skulderselen monteret på maskinen. Juster skulderselen efter brugerens størrelse før anvendelsen for at forebygge træthed.

⚠FORSIGTIG: Før brugen skal du kontrollere, at skulderselen er korrekt monteret på maskinens bøjle.

⚠FORSIGTIG: Før anvendelse skal du sørge for, at spændet på skulderselen er ordentligt fastgjort.

⚠FORSIGTIG: Brug altid den skuldersæle, som er dedikeret til denne maskine. Brug ikke andre skuldersæler.

1. Sæt skulderselen på, og fastgør spændet.

► Fig.28: 1. Spænde

BEMÆRK: Når du fjerner skulderselen, skal du oplåse spændet og fjerne skulderselen.

2. Juster skulderselen til en komfortabel position før brug.

► Fig.29

3. Hægt krogen på skulderselen til maskinens bøjle.

► Fig.30: 1. Krog 2. Bøjle

Skulderselen har en metode til hurtigt frigørelse. Klem blot siderne af spændet sammen for at frigøre skulderselen.

► Fig.31: 1. Spænde

Arbejde med maskinen

⚠FORSIGTIG: Hold alle kropsdele væk fra savkæden, når motoren er i gang.

⚠FORSIGTIG: Hold fast i maskinen med begge hænder, når motoren kører.

⚠FORSIGTIG: Stræk dig ikke for langt. Sørg hele tiden for sikkert fodfæste og balance.

⚠FORSIGTIG: Når du skærer gennem grene, skal du passe på ikke at miste balancen pga. vægten af maskinens hoved.

⚠FORSIGTIG: Hav altid en flugtvej i tilfælde af, at en afskåret gren falder mod operatøren.

⚠FORSIGTIG: Brug aldrig spidsen af sværdet til skæring. Ellers kan der muligvis opstå farligt tilbageslag, og det kan resultere i personskade.

BEMÆRKNING: Du må aldrig kaste eller tabe maskinen.

BEMÆRKNING: Undlad at tildække maskinens ventilationsåbninger.

BEMÆRKNING: Undlad at presse maskinen. Ellers kan det muligvis beskadige maskinen.

Stå på en stabil overflade og hold maskinen væk fra grenene, så vinklen på maskinen bliver 60° eller mindre i forhold til den vandrette jord.

► Fig.32: 1. 60° mm eller mindre

Start maskinen, og tryk derefter savkæden let ind på grenen.

Når der skæres lange grene, skal du, for at kunne kontrollere nedfaldspositionen af afskårne grene, opdele grenen i sektioner og skære grenen fra spidsen. Vær opmærksom på nedfaldende grene, eftersom de kan springe tilbage i retning af operatøren, efter de har ramt jorden.

► Fig.33

Ved skæring af tykke grene skal du først lave en ikke særlig dyb underskåren rille og derefter foretage det færdige snit fra toppen.

► Fig.34

Hvis du forsøger at skære tykke grene af nedefra, kan grenen lukke omkring den og klemme savkæden fast i snittet. Hvis du forsøger at skære tykke grene af oppefra uden en ikke særlig dyb underskåren rille, kan grenen splintres.

► Fig.35

Bæring af maskinen

Før du bærer maskinen, skal du altid afmontere akkuen fra maskinen, derefter montere sværdbeskytteren og derefter afkorte røret. Tildæk også akkuen med batteridækslet.

► Fig.36: 1. Sværdbeskytter 2. Batteridæksel

Brug af maskinen med bærbar strømforsyning

Ekstraudstyr

Brug det hængende bånd, når du bruger maskinen med bærbar strømforsyning.

Fastgørelse af det hængende bånd

1. Fastgør krogene på det hængende bånd til ringene på skulderselen eller bæltet som vist på figuren. Vælg den type bånd og forbindelsesmetode, der passer til dit brug.

► Fig.37: 1. Ring 2. Krog

► Fig.38: 1. Ring 2. Krog

2. Fastgør krogen til værktøjet.

► Fig.39: 1. Krog

Afmontering af værktøjet

Når du sætter maskinen ned, skal du oplåse spændet på det hængende bånd med én hånd, mens du holder maskinen med den anden hånd.

► Fig.40: 1. Spænde

BEMÆRK: Spændet er ikke udstyret afhængigt af typen af bånd.

Hvis du behøver at frigøre maskinen hurtigt, skal du følge trinene nedenfor.

1. Skub håndtagene på bæltets spænde for at låse spændet op.

► **Fig.41:** 1. Spænde 2. Håndtag

2. Tag skulderselen af for at frigøre værktøjet og enheden.

► **Fig.42:** 1. Skuldersele

VEDLIGEHOJDELSE

⚠FORSIGTIG: Vær altid sikker på, at værktøjet er slukket, og at akkuen er taget ud, inden De begynder at udføre inspektion eller vedligeholdelse.

⚠FORSIGTIG: Bær altid beskyttelseshandsker, når der udføres eftersyn eller vedligeholdelse.

BEMÆRKNING: Anvend aldrig benzin, rensebenzin, fortynder, alkohol og lignende. Det kan medføre misfarvning, deformation eller revner.

For at opretholde produktets SIKKERHED og PÅLIDELIGHED må reparation, vedligeholdelse eller justering kun udføres af et autoriseret Makita servicecenter eller fabrikkerservicecenter med anvendelse af Makita reservedele.

Slibning af savkæden

Slib savkæden, når:

- Der frembringes melet savsmuld, når der skæres i fugtigt træ,
- Kæden kun gennemskærer træet med besvær, selv hvis der anvendes et kraftigt tryk,
- Skærekanten er tydeligt beskadiget,
- Saven trækker til venstre eller højre i træet. (forårsaget af uensartet slibning af savkæden eller beskadigelse af kun den ene side)

Slib savkæden hyppigt, men kun en smule ad gangen. To eller tre strøg med en fil er sædvanligvis tilstrækkeligt til at udføre en almindelig slibning. Når savkæden er blevet slebet adskillige gange, skal den slibes på vores autoriserede servicecenter.

Slibningskriterier:

⚠ADVARSEL: For stor afstand mellem skærekant og dybdemåleren forøger risikoen for tilbageslag.

► **Fig.43:** 1. Skærerlængde 2. Afstand mellem skærekant og dybdemåler 3. Mindste skærerlængde (3 mm)

- Alle skærerlængder skal være ens. Forskellige skærerlængder vil forhindre savkæden i at køre ubesværet og kan forårsage, at savkæden brækker.

- Slib ikke kæden, når der er nået en skærerlængde på 3 mm eller derunder. Kæden skal udskiftes med en ny.
- Savspændykkelsen bestemmes af afstanden mellem dybdemåleren (rund næse) og skærekanten.
- De bedste skæresultater opnås med følgende afstand mellem skærekanten og dybdemåleren.
 - Kædeblad 90PX: 0,65 mm
 - Kædeblad 91PX: 0,65 mm

► **Fig.44**

- Slibningsvinklen på 30° skal være den samme på alle skærere. Forskellige skærevinkler medfører, at kæden kører ujævnt og uensartet, fremskynder slitage og medfører, at kæden brækker.
- Brug en passende rund fil, så den korrekte slibningsvinkel holdes mod træerne.
 - Kædeblad 90PX: 55°
 - Kædeblad 91PX: 55°

Fil og korrekt anvendelse af fil

- Anvend en speciel rund fil (ekstraudstyr) til savkæder til at skærpe kæden. Almindelige runde filer er ikke egnede.
- Diameter på den runde fil for hver savkæde er som følger:
 - Kædeblad 90PX: 4,5 mm
 - Kædeblad 91PX: 4,0 mm
- Filen bør kun være i kontakt med skæreren ved fremadstrøget. Hæv filen fra skæreren ved returstrøget.
- Slib den korteste skærer først. Længden af denne korteste skærer bliver standard for alle skærende led på savkæden.
- Før filen som vist på illustrationen.

► **Fig.45:** 1. Fil 2. Savkæde

- Det er nemmere at føre filen, hvis der anvendes en filholder (ekstraudstyr). Filholderen har afmærkninger til den korrekte slibningsvinkel på 30° (sæt afmærkningerne parallelt med savkæden) og begrænser dybden af gennemskæringen (til 4/5 af fildiameteren).

► **Fig.46:** 1. Filholder

- Kontroller, når kæden er skærpet, højden af dybdemåleren ved hjælp af kædemålerværktøjet (ekstraudstyr).

► **Fig.47**

- Fjern alt fremspringende materiale, hvor småt det end måtte være, ved hjælp af en speciel flad fil (ekstraudstyr).
- Afrund forsiden af dybdemåleren igen.

Rengøring af sværdet

Spåner og savsmuld samler sig i sværdrillen. De kan tilstoppe sværdrillen og hindre oliestrømningen. Fjern altid spåner og savsmuld, hver gang du sliber eller udskifter savkæden.

► **Fig.48**

Rengøring af kædehjulsdækslet

Spåner og savsmuld samler sig inde i kædehjulsdækslet. Fjern kædehjulsdækslet og savkæden fra maskinen, og fjern derefter spåner og savsmuld.

► Fig.49

Rengøring af olieudløbshullet

Små støv- og andre partikler kan samle sig i olieudløbshullet under arbejdet. Dette støv og andre partikler kan forringe oliestrømmen og medføre en utilstrækkelig smøring af hele savkæden. Rengør olieudløbshullet som vist herunder, hvis oliestrømmen er for svag ved toppen af sværdet.

1. Fjern kædehjulsdækslet og savkæden fra maskinen.
2. Fjern mindre støvdannelse eller partikler ved hjælp af en kærsvkruetrækker eller lignende.
► Fig.50: 1. Kærsvkruetrækker 2. Olieudløbshul
3. Sæt akkuen i maskinen. Tryk på afbryderknappen for at fjerne akkumulerede støv- og andre partikler fra olieudløbshullet ved at lade kædeolie flyde ud.
4. Tag akkuen ud af maskinen. Monter kædehjulsdækslet og savkæden på maskinen igen.

Vejledning i periodisk vedligeholdelse

For at sikre en lang levetid, undgå skader og sikre, at sikkerhedsanordningerne fungerer fuldt ud, skal følgende vedligeholdelse udføres regelmæssigt. Garantikrav godtages kun, hvis dette arbejde er blevet udført regelmæssigt og korrekt. Såfremt den foreskrevne vedligeholdelse ikke udføres, kan det medføre ulykker! Brugeren af maskinen bør ikke udføre vedligeholdelsesarbejde, der ikke er beskrevet i denne brugsvejledning. Alt sådant arbejde bør udføres af vores autoriserede servicecenter.

Kontrolpunkt / Driftstid		Før brug	Hver dag	Hver uge	Hver 3. måned	Årligt	Før opbevaring
Hele maskinen	Inspektion.	✓	-	-	-	-	-
	Rengøring.	-	✓	-	-	-	-
	Kontrolleres på autoriseret servicecenter.	-	-	-	-	✓	✓
Savkæde	Inspektion.	✓	-	-	-	-	-
	Skærpes om nødvendigt.	-	-	-	-	-	✓
Sværd	Inspektion.	✓	✓	-	-	-	-
	Fjern fra maskinen.	-	-	-	-	-	✓
Smøring af kæden	Kontroller olietilførslen.	✓	-	-	-	-	-
Afbryderknop	Inspektion.	✓	-	-	-	-	-
Låsehåndtag	Inspektion.	✓	-	-	-	-	-
Olietankdæksel	Kontroller spændingen.	✓	-	-	-	-	-
Skruer og møtrikker	Inspektion.	-	-	✓	-	-	-

Udskiftning af kædehjulet

⚠FORSIGTIG: Et udtjent kædehjul vil beskadige en ny savkæde. I så fald skal kædehjulet skiftes ud med et nyt.

Kontroller kædehjulets tilstand, inden en ny savkæde monteres. Bed et autoriseret Makita-servicecenter om udskiftning, hvis kædehjulet er slidt eller beskadiget.

► Fig.51: 1. Kædehjul 2. Områder, der slides

Opbevaring af maskinen

1. Rengør maskinen, inden den lægges til opbevaring. Fjern alle spåner og savsmuld fra maskinen, efter at kædehjulsdækslet er taget af.
2. Når maskinen er rengjort, skal den køres uden belastning for at smøre savkæden og sværdet.
3. Dæk sværdet med sværdbeskytteren, og forkort derefter røret.
4. Tøm olietanken.

FEJLFINDING

Udfør selv en inspektion, inden De anmoder om reparation. Hvis De opdager et problem, som ikke er forklaret i brugsanvisningen, må De ikke forsøge at adskille maskinen. Rådfør Dem i stedet med et autoriseret Makita Servicecenter, og brug altid originale Makita udskiftningsdele til reparationer.

Føjl	Årsag	Løsning
Maskinen starter ikke.	Akkuen er ikke indsat.	Indsæt en opladet akku.
	Akku-problem (lav spænding).	Genoplad akkuen. Hvis genopladningen ikke løser problemet, skal du udskifte akkuen.
	Hovedafbryderen er slået fra.	Der slukkes automatisk for maskinen, hvis den ikke betjenes i en vis periode. Tænd for hovedafbryderen igen.
Motoren holder op med at køre efter kort tids brug.	Akkuens opladningsniveau er lavt.	Genoplad akkuen. Hvis genopladningen ikke løser problemet, skal du udskifte akkuen.
Ingen olie på kæden.	Olietanken er tom.	Fyld olietanken.
	Olieføringssporet er snavset.	Rengør sporet.
Maskinen når ikke den maksimale omdrejningshastighed.	Akkuen er sat forkert i.	Monter akkuen som beskrevet i denne brugsanvisning.
	Batteriladningen er faldende.	Genoplad akkuen. Udskift akkuen, hvis genopladning ikke løser problemet.
	Drivsystemet fungerer ikke korrekt.	Bed vores autoriserede servicecenter i dit område om reparation.
Hovedstrømlampen blinker grønt.	Der er trykket på afbryderknappen under forhold, hvor maskinen ikke kan anvendes.	Tryk på afbryderknappen, efter at der er tændt for hovedafbryderen.
Unormale vibration: Stop straks maskinen!	Løst sværd eller savkæde.	Juster sværdets og savkædens spænding.
	Funktionsfejl på maskinen.	Bed vores autoriserede servicecenter i dit område om reparation.
Savkæden kan ikke installeres.	Kombinationen af savkæde og kædehjul er ikke korrekt.	Brug den rigtige kombination af savkæde og kædehjul ved at se afsnittet for specifikationer.

EKSTRAUDSTYR

⚠FORSIGTIG: Det følgende tilbehør og ekstraudstyr er anbefalet til brug med Deres Makita maskine, der er beskrevet i denne brugsanvisning. Anvendelse af andet tilbehør eller ekstraudstyr kan udgøre en risiko for personskade. Anvend kun tilbehør og ekstraudstyr til det beskrevne formål.

Hvis De behøver hjælp ved valg af tilbehør eller ønsker yderligere informationer, bedes De kontakte Deres lokale Makita servicecenter.

- Savkæde
- Sværd
- Sværdbeskytter
- Fil
- Original Makita akku og oplader

⚠ADVARSEL: Hvis du køber et sværd af en anden længde end standardsværdet, skal du også købe en tilsvarende sværdbeskytter sammen med det. Den skal passe til og helt dække sværdet på maskinen.

BEMÆRK: Nogle ting på denne liste kan være inkluderet i værktøjspakken som standardtilbehør. Det kan være forskellige fra land til land.

SPECIFIKĀCIJAS

Modelis:		UA004G
Kopējais garums (bez vadotnes un akumulatora)		2 516–3 748 mm
Nominālais spriegums		Līdzstrāva 36 V–40 V maks.
Neto svars	*1	7,8 kg
	*2	7,8–9,1 kg
Standarta vadslīdes garums		300 mm
Ieteicamais vadslīdes garums	ar 90PX	250–300 mm
	ar 91PX	250–300 mm
Piemērotais zāģa ķēdes veids (skatiet tabulu tālāk)		90PX 91PX
Standarta ķēdesrats	Zobu skaits	6
	Solis	3/8"
Ķēdes griešanās ātrums		0–20 m/s (0–1 200 m/min)
Ķēdes eļļas tvertnes tilpums		160 cm ³
Aizsardzības pakāpe		IPX4

- Nepārtrauktās izpētes un izstrādes programmas dēļ šeit uzrādītās specifikācijas var tikt mainītas bez brīdinājuma.
- Specifikācijas dažādās valstīs var atšķirties.

*1: Svārs ar lielāko akumulatora kasetni, tukšu eļļas tvertni, bez vadotnes, ķēdes un plecu siksnas saskaņā ar EN ISO11680-1.

*2: Viegglākā un smagākā svāra kombinācija saskaņā ar EPTA procedūru 01/2014. Svārs var būt atšķirīgs atkarībā no papildierīces(-ēm), tostarp akumulatora kasetnes.

Piemērotā akumulatora kasetne un lādētājs

Akumulatora kasetne	BL4020 / BL4025 / BL4040* / BL4050F* / BL4080F* *: Ieteicamais akumulators
Lādētājs	DC40RA / DC40RB / DC40RC

- Daži no iepriekš norādītajiem lādētājiem un akumulatora kasetnēm var nebūt pieejami atkarībā no jūsu mītnes reģiona.

BRĪDINĀJUMS: Izmantojiet vienīgi iepriekš norādītās akumulatora kasetnes un lādētājus. Cita tipa akumulatora kasetņu un lādētāju izmantošana var radīt traumu un/vai aizdegšanās risku.

Ieteicamais ar vadu savienojamais barošanas avots

Pārnēsājams barošanas bloks	PDC01 / PDC1200
-----------------------------	-----------------

- Iepriekš norādītais(-ie) ar vadu savienojamais(-ie) barošanas avots(-i) var nebūt pieejams(-i) atkarībā no jūsu mītnes reģiona.
- Pirms izmantojat ar vadu savienojamo barošanas avotu, izlasiet instrukcijas un uz tā redzamos brīdinājumus.

Zāga ķēdes, vadsliedes un ķēdesrata kombinācija



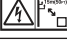




Zāga ķēdes veids		90PX
Dzinējposmu skaits		46
Virzošā sliede	Virzošās sliedes garums	300 mm
	Zāgējuma garums	296 mm
	Solis	3/8"
	Mērskala	1,1 mm
	Veids	Griezējšķautnes lietnis ar ķēdesratu
Ķēdesrats	Zobu skaits	6
	Solis	3/8"

Zāga ķēdes veids		91PX
Dzinējposmu skaits		46
Virzošā sliede	Virzošās sliedes garums	300 mm
	Zāgējuma garums	296 mm
	Solis	3/8"
	Mērskala	1,3 mm
	Veids	Griezējšķautnes lietnis ar ķēdesratu
Ķēdesrats	Zobu skaits	6
	Solis	3/8"

BRĪDINĀJUMS: Izmantojiet pareizo virzošās sliedes un ķēdes zāga kombināciju. Citādi var rasties traumas.

Simboli

Tālāk ir attēloti simboli, kas var attiekties uz darbarīka lietošanu. Pirms darbarīka izmantošanas pārliecinieties, vai pareizi izprotat to nozīmi.

	Izlasiet lietošanas rokasgrāmatu.
	Izmantojiet ķiveri, aizsargbrilles un ausu aizsargus.
	Lietojiet aizsargcimdus.
	Valkājiet izturīgus apavus ar neslīdošām zolēm. Ieteicami apavi ar tērauda purngaliem.
	Uzmanieties no elektrības vadiem, elektotraumas risks.
	Ieturiet vismaz 15 m attālumu.
	Maksimālais pieļaujamais zāgējuma garums
	Ķēdes ceļa virziens
	Ķēdes eļļas tvertne
	Karstas virsmas — pirkstu vai roku apdegumi.



Tikai ES valstīm

Tā kā šajā aprīkojumā ir bīstamas sastāvdaļas, elektrisko un elektronisko iekārtu, akumulatoru un bateriju atkritumi var negatīvi ietekmēt apkārtējo vidi un cilvēka veselību.

Elektroierīces, elektroniskās ierīces un akumulatorus nedrīkst izmest kopā ar mājāsaimniecības atkritumiem! Saskaņā ar Eiropas direktīvu par elektrisko un elektronisko iekārtu atkritumiem, akumulatoriem un baterijām, kā arī akumulatoru un bateriju atkritumiem un šīs direktīvas pielāgošanu valsts tiesību aktiem elektrisko un elektronisko iekārtu, bateriju un akumulatoru atkritumi ir jāglabā atsevišķi un jānogādā uz sadzīves atkritumu dalītās savākšanas vietu, ievērojot attiecīgos vides aizsardzības noteikumus. Par to liecina uz iekārtas redzams simbols ar pārsvītrotu atkritumu konteineru uz rītniem.



Garantētais skaņas jaudas līmenis saskaņā ar ES Direktīvu par troksni ārpus telpām.



Skaņas jaudas līmenis saskaņā ar Austrālijas NSW trokšņu kontroles noteikumiem

Paredzētā lietošana

Darbarīks paredzēts zaru un stubru apgriešanai.

Trokšņa līmenis

Tipiskais A svērtais trokšņa līmenis noteikts saskaņā ar ISO22868(ISO11680-1):
Skaņas spiediena līmeni ($L_{p(A)}$): 90 dB (A)
Skaņas jaudas līmeni (L_{WA}): 105 dB (A)
Mainīgums (K): 3 dB (A)

PIEZĪME: Paziņotā trokšņa emisijas vērtība noteikta atbilstoši standarta pārbaudes metodei, un to var izmantot, lai salīdzinātu vienu darbarīku ar citu.

PIEZĪME: Paziņoto trokšņa emisijas vērtību arī var izmantot iedarbības sākotnējā novērtējumā.

▲BRĪDINĀJUMS: Lietojiet ausu aizsargus.

▲BRĪDINĀJUMS: Trokšņa emisija patiesos darba apstākļos var atšķirties no paziņotās vērtības atkarībā no darbarīka izmantošanas veida un jo īpaši atkarībā no apstrādājamā materiāla veida.

▲BRĪDINĀJUMS: Lai aizsargātu lietotāju, nosakiet drošības pasākumus, kas pamatoti ar iedarbību reālos darba apstākļos (ņemot vērā visus ekspluatācijas cikla posmus, piemēram, laiku, kamēr darbarīks ir izslēgts un kad darbojas tukšgaitā, kā arī palaišanas laiku).

Vibrācija

Kreislais rokturis (priekšējais rokturis)		Labais rokturis (aizmugurējais rokturis)		Piemērojamie standarti
Ah (m/s^2)	Nenoteiktība K (m/s^2)	Ah (m/s^2)	Nenoteiktība K (m/s^2)	
2,5	1,5	3,1	1,5	ISO22867(ISO11680-1)

PIEZĪME: Paziņotā kopējā vibrācijas vērtība noteikta atbilstoši standarta pārbaudes metodei, un to var izmantot, lai salīdzinātu vienu darbarīku ar citu.

PIEZĪME: Paziņoto kopējo vibrācijas vērtību arī var izmantot iedarbības sākotnējā novērtējumā.

▲BRĪDINĀJUMS: Vibrācijas emisija patiesos darba apstākļos var atšķirties no paziņotās vērtības atkarībā no darbarīka izmantošanas veida un jo īpaši atkarībā no apstrādājamā materiāla veida.

▲BRĪDINĀJUMS: Lai aizsargātu lietotāju, nosakiet drošības pasākumus, kas pamatoti ar iedarbību reālos darba apstākļos (ņemot vērā visus ekspluatācijas cikla posmus, piemēram, laiku, kamēr darbarīks ir izslēgts un kad darbojas tukšgaitā, kā arī palaišanas laiku).

EK atbilstības deklarācija

Tikai Eiropas valstīm

EK atbilstības deklarācija šajā lietošanas rokasgrāmatā ir iekļauta kā A pielikums.

DROŠĪBAS BRĪDINĀJUMI

Vispārīgi elektrisko darbarīku drošības brīdinājumi

▲BRĪDINĀJUMS: Izlasiet visus drošības brīdinājumus, instrukcijas, apskatiet ilustrācijas un tehniskos datus, kas iekļauti mehānizētā darbarīka komplektācijā. Ja netiek ievēroti visi tālāk minētie noteikumi, var tikt izraisīta elektrotrauma, notikt aizdegšanās un/vai rasties smagas traumas.

Glabājiet visus brīdinājumus un norādījumus, lai varētu tajos ieskatīties turpmāk.

Termins „elektrisks darbarīks” brīdinājumus attiecas uz tādu elektrisko darbarīku, ko darbina ar elektrību (ar vadu), vai tādu, ko darbina ar akumulatoru (bez vada).

Bezvada teleskopiskā kāta zāģa lietošanas drošības brīdinājumi

Vispārīgie piesardzības pasākumi

1. Pirms darbarīka iedarbināšanas izlasiet šo instrukciju rokasgrāmatu, lai iegūtu visu vajadzīgo informāciju par darbarīka lietošanu.
2. Neaizdodiet darbarīku personai, kurai nav pietiekamas pieredzes vai zināšanu attiecībā uz darbarīka izmantošanu.
3. Aizdodot darbarīku, vienmēr pievienojiet šo instrukciju rokasgrāmatu.
4. Neļaujiet bērniem vai personām, kas nav sasniegušas 18 gadu vecumu, lietot darbarīku. Raugiet, lai viņi neatrastos darbarīka tuvumā.
5. Rīkojieties ar darbarīku maksimāli uzmanīgi un rūpīgi.
6. Neizmantojiet darbarīku pēc alkohola vai narkotiku lietošanas vai ja esat noguris(-usi) vai slims(-a).
7. Nemēģiniet pārveidot darbarīku.
8. Neizmantojiet darbarīku slinktos laikapstākļos, jo īpaši laikā, kad iespējams zibens. Tādējādi samazinās zibens trieciena risks.
9. Valsts likumdošana var ierobežot darbarīka lietošanu. Ievērojiet savas valsts noteikumus par darbarīka izmantošanu.

Individuālās aizsardzības līdzekļi

1. Lietojiet aizsargķiveri, aizsargbrilles un aizsargcimdus, lai sevi pasargātu no lidojošiem gruziem vai krītošiem priekšmetiem.
2. Lai novērstu dzirdes bojājumus, lietojiet dzirdes aizsarglīdzekļus, piemēram, aizsargaustiņus.

- Lai izmantošana būtu droša, valkājiēt atbilstošu apģērbu un apavus, piemēram, darba kombinēzonu un stingrus, neslīdošus apavus. Nevalkājiēt brīvi krītošu apģērbu vai rotaslietas. Brīvi krītošs apģērbs, rotaslietas vai gari mati var iekerties kustīgajās daļās.
- Strādājot ar zāga ķēdi vai regulējot ķēdes spriegojumu, uzvelciet aizsargcimdus. Zāga ķēde var nopietni sagriezt kailas rokas.

Darba zonas drošība

- Raugiet, lai darbarīks atrastos vismaz 15 m attālumā no elektrolīnījām un sakaru kabeļiem (tostarp arī no zariem, kas ar tiem saskaras). Darbarīka saskare ar augstsprieguma kabeļiem vai nonākšana to tuvumā var izraisīt smagas vai nāvējošas traumas. Pirms sākat darbu, noskaidrojiet elektrokabeļu un elektrisko žogu atrašanās vietas darba vietas tuvumā.
- Izmantojiet darbarīku tikai labas redzamības apstākļos un dienas gaismā. Neizmantojiet darbarīku tumsā vai miglā.
- Izmantošanas laikā nekad nestāviet uz nestabilas vai slīdenas virsmas vai uz stāvas nogāzes. Aukstajā gadalaikā uzmanieties no ledus un sniega un vienmēr nodrošiniet stabilu pamatu zem kājām.
- Izmantošanas laikā nodrošiniet, lai cilvēki vai dzīvnieki atrastos vismaz 15 m attālumā no darbarīka. Izslēdziet darbarīku, tiklīdz kāds tuvojas.
- Ja strādājat kopā ar diviem cilvēkiem vai vairāk, savā starpā ievērojiet vismaz 15 m distanci un ieceliet darbu vadītāju.
- Pirms darba sākšanas pārbaudiet, vai darba vietā nav stieplju žogu, sienu vai citu cietu priekšmetu. Šādi priekšmeti var sabojāt zāga ķēdi.

Sagatavošanās

- Pirms darbarīka salikšanas vai regulēšanas izslēdziet darbarīku un izņemiet akumulatora kasetni.
- Pirms strādājat ar zāga ķēdi vai regulējot ķēdes spriegojumu, uzvelciet aizsargcimdus.
- Pirms darbarīka iedarbināšanas pārbaudiet, vai darbarīks nav bojāts, vai nav vaļģu skrūvju/uzgriežņu un vai tas ir pareizi samontēts. Uzasiniet trulu zāga ķēdi. Ja zāga ķēde ir saliekta vai bojāta, nomainiet to. Pārbaudiet, vai visas vadības sviras un slēdži darbojas bez pretestības. Notīriet un nožāvējiet rokturus.
- Nemēģiniet ieslēgt darbarīku, ja tas ir bojāts vai nav pilnībā samontēts. Pretējā gadījumā iespējami smagi savainojumi.
- Noregulējiet plecu siksnas atbilstīgi operatora kermeņa izmēram.
- Pareizi noregulējiet ķēdes spriegojumu. Nepieciešamības gadījumā papildiniet ķēdes eļļu.

Darbarīka iedarbināšana

- Pirms darbarīka iedarbināšanas uzvelciet individuālās aizsardzības līdzekļus.
- Pirms darbarīka iedarbināšanas pārliecinieties, ka darba zonā nav cilvēku vai dzīvnieku.

- Ievietojot akumulatora kasetni, raugiet, lai zāga ķēde un vadotne neatrastos tuvu pie jūsu kermeņa un citiem objektiem, tostarp pie zemes. Zāga ķēde iedarbināšanas laikā var izkustēties, izraisot nopietnus savainojumus vai zāga ķēdes un/vai tpašuma bojājumus.
- Darbarīku novietojiet uz stingras pamatnes. Saglabājiet līdzsvaru un stabilu pamatu zem kājām.

Ekspluatācija

- Ārkārtas situācijā nekavējoties izslēdziet darbarīku.
- Ja ekspluatācijas laikā ievērojāt kādu nepareastu parādību (piem., troksni, vibrāciju), izslēdziet darbarīku. Neizmantojiet darbarīku, kamēr nav konstatēts un novērstas cēlonis.
- Pēc darbarīka izslēgšanas zāga ķēde vēl īsu brīdi turpina kustēties. Neskarities uzreiz klāt zāga ķēdei.
- Lietošanas laikā izmantojiet plecu siksnas. Cieši turiet darbarīku labajā pusē.
- Satveriet priekšējo rokturi ar kreiso roku un aizmugures rokturi ar labo roku neatkarīgi no tā, vai esat labrocis vai kreilis. Aplieciet ap rokturiem gan pirkstus, gan tīkšķi.
- Turiet darbarīku tikai aiz roktura izolētajām virsmām, jo zāga ķēde var skart aplēptus kabeļus. Zāga ķēde, skarot strāvu vadošus kabeļus, var izveidot kontaktu ar zaru griezēja izvīrītājām metāla daļām, un operators var saņemt strāvas triecienu.
- Nemēģiniet izmantot darbarīku ar vienu roku. Kontroles zaudēšana var izraisīt smagas vai nāvējošas traumas. Lai mazinātu traumu risku, turiet rokas un kājas pēc iespējas tālāk no zāga ķēdes.
- Nesniedzieties pārāk tālu. Vienmēr stingri stāviet uz droša pamata, saglabājot līdzsvaru. Lai nepaklūptu, uzmanieties no slēptiem šķēršļiem, piemēram, celmiem, saknēm un bedrēm. Novāciet nokritušos zarus un citus priekšmetus.
- Lai nezaudētu kontroli, nekad nestrādājiēt, atrodoties uz kāpnēm vai kokā.
- Ja darbarīks ir saņēmis smagu triecienu vai kritis, pārbaudiet tā stāvokli, pirms turpināt darbu. Ja ir bojājumi vai rodas šaubas, vērsieties Makita pilnvarotajā apkopes centrā, lai veiktu pārbaudi un remontu.
- Nepieskarities darbarīka galvai. Ekspluatācijas laikā darbarīka galva ļoti sakarst.
- Regulāri atpūtieties, lai noguruma dēļ nezaudētu kontroli. Mēs iesakām katru stundu ievērot 10–20 minūšu pauzi.
- Atstājot darbarīku pat uz īsu brīdi, vienmēr izslēdziet darbarīku un izņemiet akumulatora kasetni. Pieskatītu darbarīku, kas darbojas, var izmantot nepiederoša persona un izraisīt nopietnu negadījumu.
- Strādājot ar darbarīku, neceliet savu labo roku augstāk par pleca augstumu.
- Darba laikā raugiet, lai zāga ķēde neatsistos pret cietiem priekšmetiem, piemēram, pret akmeņiem un naglām. Esiet īpaši uzmanģgs, zāģējot zarus sienu, stieplju žogu un līdzģgu objektu tuvumā.

16. Ja darbarīkā iekeras zari, vienmēr izslēdziet darbarīku un izņemiet akumulatora kasetni. Pretējā gadījumā, nejausi iedarbinot darbarīku, iespējams izraisīt nopietnus ievainojumus.
17. Ja zāga ķēde iekeras, pirms tīrīšanas vienmēr izslēdziet darbarīku un izņemiet akumulatora kasetni.
18. Ja ar nobloķētu zāga ķēdi tiek palielināts darbarīka ātrums, palielinās slodze, un ir iespējams sabojāt darbarīku.
19. Pirms stumbru zāgēšanas nodrošiniet, lai jums ir atkāpšanās ceļš no krītošā stumbra. Pirmkārt, aizvāciet no darba zonas dažādus šķēršļus, kā stumbrus un zarus. Pārvietojiet visus darbarīkus un priekšmetus no atkāpšanās zonas uz kādu citu drošu vietu.
20. Pirms zaru un stumbru zāgēšanas pārbaudiet to krišanas virzienu, ņemot vērā zaru un stumbru stāvokli, apkārē esošos kokus, vēja virzienu u. c. faktoros. Pievērsiet īpašu uzmanību krišanas virzienam un zaru atsišanās virzienam, kad tie nokrīt uz zemes.
21. Nekādā gadījumā neturiet darbarīku leņķī, kas pārsniedz 60°. Pretējā gadījumā krītoši priekšmeti var skart operatoru un izraisīt nopietnus savainojumus. Nekādā gadījumā nestāviet zem stumbra, ko plānojat zāgēt.
22. Pievērsiet uzmanību salauztiem vai saliektiem zariem. Tie zāgēšanas vietā var strauji atliekties, izraisot negaidītus savainojumus.
23. Pirms paredzēto stumbru zāgēšanas aizvāciet ap tiem esošos zarus un lapas. Pretējā gadījumā zāga ķēde var tajos iekerties.
24. Lai zāga ķēde neieķertos iezāgējuma vietā, neatļaidiet sviru, kad velkat zāga ķēdi ārā no iezāgējuma vietas.
25. Ja zāga ķēde ir iekērusies iezāgējuma vietā, nekavējoties apturiet darbarīku un uzmanīgi pakustiniet zaru, lai pārvietotu iezāgējuma vietu un atbrīvotu zāga ķēdi.
26. Nepieļaujiet atsitienu (rotācijas reaktīvo spēku operatora virzienā). Lai izvairītos no atsitienu, zāgēšanai neizmantojiet vadotnes smaili un neveiciet griezumus ar smaili dziļumā. Vienmēr pievērsiet uzmanību vadotnes smailis pozīcijai.
27. Regulāri pārbaudiet ķēdes nospriegojumu. Kad veicat ķēdes nospriegojuma pārbaudi un pielāgošanu, izslēdziet darbarīku un izņemiet akumulatora kasetni. Ja nospriegojums ir nepietiekams, pievelciet.
28. Izmantojot darbarīku dubļainā vietā, uz mitras slīpas virsmas vai slidenā vietā, raugieties, lai kājām būtu stabils atbalsts.
29. Negremdējiet darbarīku peļķē.
30. Lietus laikā neatstājiet darbarīku ārpus telpām bez uzraudzības.

Transportēšana

1. Pirms darbarīka transportēšanas izslēdziet darbarīku un izņemiet akumulatora kasetni. Vienmēr transportēšanas laikā uzstādiet vadotnes vāku.
2. Transportējot darbarīku, nesiet to horizontālā stāvoklī, turot aiz rokturu.

Tehniskā apkope

1. **Nododiet darbarīku apkopei pilnvarotā apkopes centrā un vienmēr izmantojiet tikai oriģinālās rezerves daļas.** Nepareiza labošana un sliktā apkope var sāīsināt darbarīka kalpošanas laiku un palielināt negadījumu risku.
2. **Pirms darbarīka apkopes, remonta vai tīrīšanas vienmēr izslēdziet darbarīku un izņemiet akumulatora kasetni.** Nogaidiet, līdz darbarīks atdziest.
3. **Strādājot ar zāga ķēdi, vienmēr lietojiet aizsargcimdus.**
4. **Pēc katras lietošanas reizes pievelciet visas skrūves un uzgriežņus, izņemot regulēšanas skrūves.**
5. **Gādājiet, lai zāga ķēde ir uzasināta.** Ja zāga ķēde ir palikusī trula un zāgēšanas rezultāts ir sliktš, uzliciet Makita pilnvarotajam apkopes centram to uzasināt vai nomainīt ar jaunu.
6. **Neveiciet nekādus apkopes vai remonta darbus, kas nav norādīti šajā instrukciju rokasgrāmatā.** Šāds darbus uzliciet Makita pilnvarotā apkopes centra speciālistiem.
7. **Vienmēr izmantojiet tikai Makita oriģinālās rezerves daļas un piederumus.** Izmantojot trešo pušu nodrošinātās detaļas un piederumus, iespējami darbarīka bojājumi, īpašuma bojājumi un/vai smagi ievainojumi.

Glabāšana

1. **Pirms darbarīka novietošanas glabāšanai veiciet visas tīrīšanas un apkopes procedūras.** Uzstādiet vadotnes vāku. Izņemiet akumulatora kasetni. Kad darbarīks ir atdzisis, iztīciet ķēdes eļļu.
2. **Glabājiet darbarīku sausā un augstā vai aizslēgtā vietā, kas nav pieejama bērniem.**
3. **Neatbalstiet darbarīku, piemēram, pret sienu.** Tas var pēkšņi krist un izraisīt traumas.
4. **Novietojot darbarīku glabāšanā, izvairieties no tiešiem saules stariem un lietus un novietojiet to vietā, kur nekļūst karsts vai mitrs.**

Elektrodrošība un akumulatora drošība

1. **Neatbrīvojieties no akumulatora(-iem), to(-s) dedzinot.** Var rasties eksplozija. Skatiet attiecīgos valsts noteikumus, lai uzzinātu īpašus norādījumus izmešanai atkritumos.
2. **Akumulatoru(-s) nedrīkst atvērt vai sabojāt.** Iztecējušais elektrolīts ir kordīgs un var nodarīt kaitējumu acīm vai ādai. Norijot tas var būt toksisks.
3. **Nelādējiet akumulatoru lietū vai mitrās vietās.**
4. **Nelādējiet akumulatoru ārpus telpām.**
5. **Neaiztieciat lādētāju, kā arī lādētāja spraudni vai spaiļes ar slapjām rokām.**
6. **Izvairieties no bīstamas vides.** Darbarīku neizmantojiet mitrās vai slapjās vietās un lietū. Ja darbarīkā iekļūst ūdens, palielināsies elektriskā trieciena rašanās risks.
7. **Nemainiet akumulatoru lietū.**

**SAGLABĀJIET ŠOS
NORĀDĪJUMUS.**

BRĪDINĀJUMS: NEPIEĻAUJIET to, ka labu iemaņu vai izstrādājuma labas pārzināšanas (darbarīku atkārtoti ekspluatējot) rezultātā vairs stingri neievērojāt šī izstrādājuma drošības noteikumus. NEPAREIZI LIETOJOT darbarīku vai neievērojot šajā instrukcijā rokasgrāmatā minētos drošības noteikumus, var tikt gūtas smagas traumas.

Svarīgi drošības norādījumi par akumulatora kasetni

1. Pirms akumulatora lietošanas izlasiet visus norādījumus un brīdinājumus, kuri attiecas uz (1) akumulatora lādētāju, (2) akumulatoru un (3) ierīci, kurā tiek izmantots akumulators.
2. Akumulatora kasetni nedrīkst ne pārveidot, ne izjaukt. Citādi var tikt izraisīta aizdegšanās, pārmērīgs karstums vai sprādziens.
3. Ja akumulatora darbības laiks kļūva ievērojami īsāks, nekavējoties pārtrauciet to izmantot. Citādi, tas var izraisīt pārkarsējumu, uzliesmojumu vai pat sprādzienu.
4. Ja elektrolīts nonāk acīs, izskalojiet tās ar tīru ūdens un nekavējoties griezieties pie ārsta. Tas var izraisīt redzes zaudēšanu.
5. Neradiet īssavienojumu akumulatora kasetnē:
 - (1) Nepieskarieties spaiļēm ar elektrību vadošiem materiāliem.
 - (2) Neuzglabājiet akumulatoru kasetni kopā ar citiem metāla priekšmetiem, tādiem kā naglas, monētas u. c.
 - (3) Nepakļaujiet akumulatora kasetni ūdens vai lietus iedarbībai.Akumulatora īssavienojums var radīt spēcīgu strāvas plūsmu, pārkaršanu, uzliesmojumu un pat sabojāt akumulatoru.
6. Neglabājiet un neizmantojiet darbarīku un akumulatora kasetni vietās, kur temperatūra var sasniegt vai pārsniegt 50 °C (122 °F).
7. Nededziniet akumulatora kasetni, pat ja tā ir stipri bojāta vai pilnībā nolietota. Akumulatora kasetne uguni var eksplodēt.
8. Akumulatora kasetni nedrīkst naglot, griezt, saspīest, mest vai nomet, kā arī pa to nedrīkst sist ar cietu priekšmetu. Šādas darbības var izraisīt aizdegšanos, pārmērīgu karstumu vai sprādzienu.
9. Neizmantojiet bojātu akumulatoru.
10. Uz izmantotajiem litija jonu akumulatoriem attiecas likumdošanas prasības par bīstamiem izstrādājumiem.

Komerציālā transportēšanā, ko veic, piemēram, trešās puses, transporta uzņēmumi, jāievēro uz iesaiņojuma un marķējuma norādītās īpašās prasības.

Lai izstrādājumu sagatavotu nosūtīšanai, jāsaziņās ar bīstamo materiālu speciālistu. Ievērojiet arī citus attiecināmos valsts normatīvus. Valējus kontaktus nosedziet ar līmlenti vai citādi pārklājiet, bet akumulatoru iesaiņojiet tā, lai sainītas nevarētu izkustēties.

11. Lai utilizētu akumulatora kasetni, izņemiet to no darbarīka un likvidējiet drošā vietā. Ievērojiet vietējos noteikumus par akumulatora likvidēšanu.
12. Izmantojiet šos akumulatorus tikai ar izstrādājumiem, kurus norādījis Makita. Ievietojot šos akumulatorus nesaderīgos izstrādājumos, var rasties ugunsgrēks, pārmērīgs karstums, tie var uzsprāgt vai no tiem var izteciēt elektrolīts.
13. Ja darbarīks netiks lietots ilgu laiku, no tā jāizņem akumulators.
14. Lietošanas laikā vai pēc tās akumulatora kasetne var uzkrāt siltumu, kas var izraisīt apdegumus vai zemas temperatūras apdegumus. Ar karstu akumulatora kasetni apejieties rūpīgi.
15. Nepieskarieties darbarīka izvadam uzreiz pēc lietošanas, jo tas var būt sakarsis un izraisīt apdegumus.
16. Neļaujiet akumulatora kasetnes spaiļēs, atvērēs un rievās uzkrāties skaidām, putekļiem vai netīrumiem. Tas var izraisīt sasilšanu, aizdegšanos, sprādzienu instrumenta vai akumulatora kasetnes nepareizu darbību, un lietotājs var gūt apdegumus vai ievainojumus.
17. Neizmantojiet akumulatora kasetni augstsprieguma līniju tuvumā, izņemot gadījumus, kad darbarīks ir piemērots lietošanai augstsprieguma līniju tuvumā. Citādi darbarīks vai akumulatora kasetne var sākt darboties nepareizi vai tikt sabojāti.
18. Glabājiet akumulatoru bērniem nepieejamā vietā.

SAGLABĀJIET ŠOS NORĀDĪJUMUS.

UZMANĪBU: Lietojiet tikai oriģinālos Makita akumulatorus. Ja lietojat neoriģinālus Makita akumulatorus vai pārveidotus akumulatorus, tie var uzsprāgt un izraisīt aizdegšanos, traumas un materiālos zaudējumus. Tikas anulēta arī Makita darbarīka un lādētāja garantija.

Ieteikumi akumulatora kalpošanas laika pagarināšanai

1. Uzlādējiet akumulatora kasetni, pirms tā ir pilnībā izlādējusies. Vienmēr, kad ievērojāt, ka darbarīka darba jauda zudusi, apturiet darbarīku un uzlādējiet akumulatora kasetni.
2. Nekad neuzlādējiet pilnībā uzlādētu akumulatora kasetni. Pārmērīga uzlāde saīsina akumulatora kalpošanas laiku.
3. Uzlādējiet akumulatora kasetni istabas temperatūrā 10 °C - 40 °C. Karstai akumulatora kasetnei pirms uzlādes ļaujiet atdzist.
4. Kad akumulatora kasetne netiek izmantota, izņemiet to no darbarīka vai lādētāja.
5. Uzlādējiet litija jonu akumulatora kasetni, ja to ilgstoši nelietosit (vairāk nekā sešus mēnešus).

DETAĻU APRAKSTS

► Att.1

1	Galvenais elektropadeves indikators	2	Galvenais elektropadeves slēdzis	3	Cilpa
4	Atbloķēšanas svira	5	Akumulatora kasetne	6	Slēdža mēlīte
7	Aizmugures rokturis	8	Zāģa ķēde	9	Virzošā sliede
10	Eļļas tvertnes vāciņš	11	Bloķēšanas gredzens	12	Kontruzgrieznis
13	Ķēdes regulēšanas skrūve	14	Virzošās sliedes vāks	15	Priekšējais rokturis

FUNKCIJU APRAKSTS

⚠ UZMANĪBU: Pirms darbarīka regulēšanas vai tā darbības pārbaudes vienmēr pārlicinieties, ka darbarīks ir izslēgts un akumulatora kasetne ir izņemta.

Akumulatora kasetnes uzstādīšana un izņemšana

⚠ UZMANĪBU: Vienmēr pirms akumulatora kasetnes uzstādīšanas vai noņemšanas izslēdziet darbarīku.

⚠ UZMANĪBU: Uzstādot vai izņemot akumulatora kasetni, darbarīku un akumulatora kasetni turiet cieši. Ja darbarīku un akumulatora kasetni netur cieši, tie var izkrist no rokām un radīt bojājumus darbarīkam un akumulatora kasetnei, kā arī izraisīt ievainojumus.

- **Att.2:** 1. Sarkanās krāsas indikators 2. Poga 3. Akumulatora kasetne

Lai izņemtu akumulatora kasetni, izvelciet to no darbarīka, pārbīdot kasetnes priekšpusē esošo pogu.

Lai uzstādītu akumulatora kasetni, salāgojiet akumulatora kasetnes mēlīti ar rievu ietvarā un iebīdīet to vietā. Ievietojiet to līdz galam, līdz tā ar klikšķi nofiksējas. Ja redzams attēlā parādītais sarkanās krāsas indikators, tas nozīmē, ka tas nav pilnīgi nofiksēts.

⚠ UZMANĪBU: Vienmēr ievietojiet akumulatora kasetni tā, lai sarkanais indikators nebūtu redzams. Pretējā gadījumā tā var nejauši izkrist no darbarīka un izraisīt jums vai apkārtējiem traumas.

⚠ UZMANĪBU: Neievietojiet akumulatora kasetni ar spēku. Ja kasetne neslīd ietvarā viegli, tā nav pareizi ielikta.

Atlikušās akumulatora jaudas indikators

Nospiediet akumulatora kasetnes pārbaudes pogu, lai pārbaudītu akumulatora atlikušo uzlādes līmeni. Indikatori iedegsies uz dažām sekundēm.

- **Att.3:** 1. Indikatora lampas 2. Pārbaudes poga

Indikatora lampas			Atlikusī jauda
Iededzies	Izslēgts	Mirgo	
			No 75% līdz 100%
			No 50% līdz 75%
			No 25% līdz 50%
			No 0% līdz 25%
			Uzlādējiet akumulatoru.
			Iespējama akumulatora kļūme.

PIEZĪME: Reālā jauda var nedaudz atšķirties no norādītās atkarībā no lietošanas apstākļiem un apkārtējās temperatūras.

PIEZĪME: Akumulatora aizsardzības sistēmas darbības laikā mirgo pirmais (kreisais malējais) indikators.

Darbarīka/akumulatora aizsardzības sistēma

Darbarīkam ir darbarīka/akumulatora aizsardzības sistēma. Šī sistēma automātiski izslēdz strāvas padevi motoram, lai pagarinātu darbarīka un akumulatora darbmūžu. Lietošanas laikā darbarīks automātiski pārstās darboties, ja darbarīku vai akumulatoru pakļaus kādam no šādiem apstākļiem.

Aizsardzība pret pārslodzi

Ja akumulatoram ekspluatācijas laikā nākas nodrošināt pārmērīgi augstu piedziņas jaudu, darbarīks automātiski pārtrauc darbību, un elektrobarošanas lampiņa mirgo zaļā krāsā. Šādā gadījumā izslēdziet darbarīku un pārtrauciet darbību, kas izraisa pārslodzi. Pēc tam ieslēdziet darbarīku, lai atsāktu darbu.

Aizsardzība pret pārkaršanu

Kad darbarīks vai akumulators ir pārkaris, darbarīks automātiski pārstāj darboties, un elektrobarošanas lampiņa deg sarkanā krāsā. Šādā gadījumā ļaujiet darbarīkam un akumulatoram atdzist un tikai pēc tam atkal ieslēdziet darbarīku.

PIEZĪME: Strādājot augstas temperatūras vidē, var aktivizēties pārkaršanas aizsardzības mehānisms, un darbarīks automātiski izslēgsies.

Aizsardzība pret akumulatora pārmērgu izlādi

Ja atlikusi akumulatora jauda nav pietiekama, darbarīks automātiski pārstāj darboties, un elektrobarošanas lampa mirgo sarkanā krāsā. Šādā gadījumā izņemiet akumulatoru no darbarīka un uzlādējiet to.

Aizsardzība pret citiem cēloņiem

Aizsardzības sistēma ir paredzēta arī pret citiem cēloņiem, kas varētu radīt darbarīka bojājumus, un nodrošina automātisku darbarīka apturēšanu. Ja darbarīka darbība ir īslaicīgi apturēta vai tas pārstājis darboties, veiciet visas tālāk norādītās darbības, lai novērstu cēloņus.

1. Izslēdziet un atkal ieslēdziet darbarīku, lai to atkārtoti iedarbinātu.
2. Uzlādējiet akumulatoru(-s) vai nomainiet to(-s) ar uzlādētu(-iem) akumulatoru(-iem).
3. Ļaujiet ierīcei un akumulatoram(-iem) atdzist.

Ja pēc aizsardzības sistēmas atjaunošanas nav uzlabojumu, sazinieties ar vietējo Makita tehniskās apkopes centru.

Galvenais elektropadeves slēdzis

▲BRĪDINĀJUMS: Vienmēr, kad darbarīku nelie-tojat, izslēdziet galveno elektropadeves slēdzi.

Lai ieslēgtu darbarīku, nospiediet galveno barošanas slēdzi. Lai izslēgtu, vēlreiz nospiediet galveno barošanas slēdzi.

- **Att.4:** 1. Elektrobarošanas lampa 2. Galvenais barošanas slēdzis

PIEZĪME: Ieslēdzot galveno ieslēgšanas slēdzi un vienlaikus turot nospiešu atbloķēšanas sviru un slēdža mēlīti, galvenais ieslēgšanas indikators mirgo zaļā krāsā. Šādā gadījumā atlaidiet slēdža mēlīti un atbloķēšanas sviru un tad ieslēdziet galveno barošanas slēdzi.

PIEZĪME: Šim darbarīkam ir automātiska izslēgšanās funkcija. Lai novērstu nejašu iedarbināšanu, galvenais barošanas slēdzis automātiski izslēgsies, ja slēdža mēlīte netiks nospiesta noteiktā laikposmā pēc galvenā barošanas slēdža ieslēgšanas.

Slēdža darbība

▲BRĪDINĀJUMS: Drošības apsvērumu dēļ šis darbarīks ir aprīkots ar atbloķēšanas sviru, kas nepieļauj darbarīka nejašu iedarbināšanu. **NEKAD** neekspluatējiet darbarīku, ja tas darbojas, kad vienkārši pavelkat slēdža mēlīti, nospiežot atbloķēšanas sviru. **PIRMS** turpmākas ekspluatācijas darbarīku nododiet atbilstošam remontam mūsu pilnvarotā apkopes centrā.

▲BRĪDINĀJUMS: **NEKAD** nenovērtējiet par zemu un neignorējiet atbloķēšanas sviras mērķi un funkcijas.

▲UZMANĪBU: Pirms akumulatora kasetnes uzstādīšanas darbarīkā vienmēr pārbaudiet, vai slēdža mēlīte darbojas pareizi un pēc atļaišanas atgriežas stāvoklī „OFF” (izslēgts).

IEVĒRĪBAI: Nevelciet slēdža mēlīti ar spēku, nospiežot atbloķēšanas sviru. Citādi var sabojāt slēdzi.

Lai novērstu slēdža mēlītes nejašu nospiešanu, darbarīks ir aprīkots ar bloķēšanas sviru. Lai ieslēgtu darbarīku, nospiediet bloķēšanas sviru un slēdža mēlīti. Darbarīka darbības ātrums palielinās, stiprāk nospiežot slēdža mēlīti. Lai apturētu darbarīku, atlaidiet slēdža mēlīti.

- **Att.5:** 1. Slēdža mēlīte 2. Atbloķēšanas svira

Caurules garuma regulēšana

Lai pagarinātu vai saīsinātu cauruli, atbrīvojiet bloķēšanas gredzenu, pagriežot to pretēji pulksteņrādītāju kustības virzienam, pielāgojiet caurules gredzenu, tad nostipriniet bloķēšanas gredzenu, griežot to pulksteņrādītāju kustības virzienā.

- **Att.6:** 1. Bloķēšanas gredzens 2. Caurule

MONTĀŽA

▲UZMANĪBU: Pirms darbarīka regulēšanas vai apkopes vienmēr pārliecinieties, ka darbarīks ir izslēgts un akumulatora kasetne ir izņemta.

▲UZMANĪBU: Zāģa ķēdei nedrīkst pieskarties ar kālīām rokām. Rīkojoties ar zāģa ķēdi, vienmēr valkājiet cimdus.

Darbarīka salikšana

1. Noņemiet 2 vāciņus no caurules un 1 vāciņu no darbarīka galvas.

- **Att.7:** 1. Vāciņš 2. Caurule 3. Darbarīka galva

2. Atskrūvējiet vaļīgāk 3 skrūves un tad izskrūvējiet 1 skrūvi, izmantojot sešstūru uzgriežņu atslēgu.

- **Att.8:** 1. Skrūve

3. Ievietojiet cauruli darbarīkā līdz galam un tad savietojiet atveri uz caurules ar atveri darbarīka korpusā.

- **Att.9:** 1. Atvere 2. Caurule

4. Ar sešstūru uzgriežņu atslēgu pievelciet 3 skrūves.

- **Att.10:** 1. Skrūve

5. Atskrūvējiet vaļīgāk 2 skrūves un tad izskrūvējiet 1 skrūvi.

- **Att.11:** 1. Skrūve

6. Atbrīvojiet bloķēšanas gredzenu, pagriežot to pretēji pulksteņrādītāju kustības virzienam, tad izvelciet cauruli par apt. 10 cm vai vairāk, un tad nostipriniet bloķēšanas gredzenu, griežot to pulksteņrādītāju kustības virzienā.

- **Att.12:** 1. Bloķēšanas gredzens 2. 10 cm vai vairāk 3. Caurule

7. Ievietojiet cauruli darbarīka galvā līdz galam un tad savietojiet atveri uz caurules ar atveri darbarīka galvā.

► **Att.13:** 1. Atvere 2. Caurule

8. Ar sešstūru uzgriežņu atslēgu pievelciet 2 skrūves.

► **Att.14:** 1. Skrūve

Zāga ķēdes uzstādīšana un noņemšana

⚠UZMANĪBU: Zāga ķēde un virzošā sliede uzreiz pēc ekspluatācijas vēl ir karsta. Tām vispirms jāatdziest, tikai tad drīkst darbarīku apkopt.

⚠UZMANĪBU: Zāga ķēde jāuzstāda vai jānoņem tīrā vietā, kur nav zāgu skaidu un līdzīgu materiālu.

Zāga ķēdes uzstādīšana

Lai zāga ķēdi uzliktu, veiciet šeit norādītās darbības.

1. Atskrūvējiet ķēdes regulēšanas skrūvi un pēc tam — kontruzgriežni.

► **Att.15:** 1. Kontruzgriežnis 2. Ķēdes regulēšanas skrūve 3. Ķēdesrāta aizsargs

2. Noņemiet ķēdesrāta aizsargu.

3. Pārbaudiet, kādā virzienā vērsta zāga ķēde. Zāga ķēdes virzienam ir jāsakrīt ar virziena atzīmi uz darbarīka korpusa.

► **Att.16:** 1. Atzīme uz motorzāga korpusa

4. Uzlieciet zāga ķēdes vienu galu uz vadotnes gala. Uzlieciet otru zāga ķēdes galu apkārt ķēdesratam. Pārliecinieties, ka zāga ķēde ir pareizi uzlikta uz ķēdesrāta un pareizi ievietota vadotnes rievā.

5. Pievienojiet vadotni pie darbarīka korpusa, savietojot atveri uz vadotnes ar tapu uz darbarīka korpusa.

► **Att.17:** 1. Caurums 2. Ķēdesrats

6. Ievietojiet ķēdesrāta pārsega izvirdījumu darbarīka korpusā un pēc tam aizveriet pārsegu tā, lai darbarīka korpusa bultskrūve un tapa iegultu attiecīgajos pārsega caurumos.

► **Att.18:** 1. Ķēdesrāta aizsargs 2. Izvirdījums 3. Bultskrūve 4. Tapa

7. Pievelciet kontruzgriežni, lai nostiprinātu ķēdesrāta pārsegu, un pēc tam nedaudz atskrūvējiet to, lai regulētu spriegojumu.

► **Att.19:** 1. Kontruzgriežnis

Pēc zāga ķēdes uzstādīšanas noregulējiet zāga ķēdes nospiegējumu, atsaucei skatot sadaļu zāga ķēdes nospiegējuma regulēšanai.

Zāga ķēdes noņemšana

Lai noņemtu zāga ķēdi, veiciet šeit norādītās darbības.

1. Atskrūvējiet ķēdes regulēšanas skrūvi un pēc tam — kontruzgriežni.

► **Att.20:** 1. Kontruzgriežnis 2. Ķēdes regulēšanas skrūve

2. Noņemiet ķēdesrāta pārsegu, tad noņemiet zāga ķēdi un vadotni no darbarīka korpusa.

Zāga ķēdes nospiegējuma regulēšana

⚠UZMANĪBU: Nenospiegējiet zāga ķēdi pārāk daudz. Ja zāga ķēde būs pārāk cieši nospiegota, tā var pārplīst, kā arī var paātrināti nolietoties vadotne.

⚠UZMANĪBU: Pārāk vaļīga ķēde var nokrist no sliedes un izraisīt negadījumu.

Pēc daudzām ekspluatācijas stundām zāga ķēde var kļūt vaļīga. Ik pa laikam pirms ekspluatācijas pārbaudiet zāga ķēdes nospiegējumu.

1. Nedaudz atskrūvējiet kontruzgriežni, lai ķēdesrāta pārsegs kļūtu vaļīgāks.

► **Att.21:** 1. Kontruzgriežnis

2. Nedaudz paceliet vadotnes galu un noregulējiet ķēdes spriegojumu. Grieziet ķēdes regulēšanas skrūvi pretēji pulksteņrādītāju kustības virzienam, lai nospiegotu, un grieziet pulksteņrādītāju kustības virzienā, lai atbrīvotu.

Pievelciet zāga ķēdi, līdz zāga ķēdes apakšējā daļa ievietojas vadsliedes rievā, kā redzams attēlā.

► **Att.22:** 1. Virzošā sliede 2. Zāga ķēde 3. Ķēdes regulēšanas skrūve

3. Viegli pieturiet vadotni un uzlieciet ķēdesrāta pārsegu.

Pārbaudiet, vai zāga ķēdes apakšējā daļa nav vaļīga.

4. Pievelciet kontruzgriežni, lai nofiksētu ķēdesrāta aizsargu.

► **Att.23:** 1. Kontruzgriežnis

EKSPLUATĀCIJA

Eļļošana

IEVĒRĪBAI: Ja ķēdes eļļu iepildāt pirmo reizi vai tvertni uzpildāt pēc tās pilnīgas iztukšošanas, eļļu iepildiet līdz ielietnes apakšējai malai. Nepiepildīšanas gadījumā eļļas padeve var būt traucēta.

IEVĒRĪBAI: Izmantojiet tikai Makita ķēdes zāģiem īpaši paredzēto zāga ķēdes eļļu vai līdzvērtīgu veikalā nopērkamu eļļu.

IEVĒRĪBAI: Nekad neizmantojiet eļļu, kas satur putekļus un sīkas daļiņas, vai eļļu, kas ātri iztvaiko.

IEVĒRĪBAI: Apzāģējot kokus, lietojiet augu eļļu. Minerāleļļa var kaitēt kokiem.

IEVĒRĪBAI: Pirms zāģēšanas darbībām pārliecinieties, ka eļļas tvertnes vāciņš ir ieskrūvēts vietā.

Zāga ķēde darba laikā tiek eļļota automātiski. Regulāri pārbaudiet eļļas tvertnē atlikušo eļļas daudzumu.

► **Att.24:** 1. Eļļas tvertne

Lai uzpildītu eļļas tvertni, novietojiet darbarīku uz līdzēnas virsmas, nospiediet pogu uz eļļas tvertnes vāciņa, lai poga otrā pusē izvirzītos, un tad grieziet eļļas tvertnes vāciņu, lai to noņemtu.

Pareizais eļļas daudzums ir 160 ml. Kad tvertne ir uzpildīta, aizveriet un cieši pievelciet eļļas tvertnes vāciņu.

- **Att.25:** 1. Eļļas tvertnes vāciņš 2. Pievelciet 3. Atskrūvējiet vaļņgāk

PIEZĪME: Ja rodas grūtības noņemt eļļas tvertnes vāciņu, ievietojiet galatslēgu eļļas tvertnes vāciņa atverē un tad grieziet pretēji pulksteņrādītāju kustības virzienam, lai noņemtu vāciņu.

- **Att.26:** 1. Atvere 2. Galatslēga

Pēc uzpildīšanas turiet darbarīku atstatu no koka. Iedarbiniet to un gaidiet, līdz zāģa ķēdes eļļošana ir atbilstoša.

- **Att.27**

Pleca siksnas piestiprināšana

UZMANĪBU: Ja izmantojat darbarīku kopā ar mugursomas tipa pārnēsājamo barošanas avotu, piemēram, pārnēsājamo barošanas bloku, izmantojiet nevis darbarīka komplektā iekļauto plecu siksnas sistēmu, bet gan Makita ieteikto piekaramo lenti.

Ja valkājat plecu siksnu, kas iekļauta darbarīka komplektā, reizē ar mugursomas tipa pārnēsājamo barošanas avota plecu siksnu, ārkārtas situācijā ir apgrūtināti noņemt darbarīku vai mugursomas tipa pārnēsājamo barošanas avotu un var rasties negadījums vai traumas. Informāciju par ieteiktajām piekaramajām lentēm jautājiet Makita pilnvarotajos apkopes centros.

UZMANĪBU: Vienmēr piestipriniet plecu siksnu pie darbarīka. Pirms darbarīka lietošanas plecu siksnā jāpiemēro lietotāja augumam, lai mazinātu nogurumu.

UZMANĪBU: Pirms darba sākšanas pārbaudiet, vai plecu siksnā ir pareizi piestiprināta pie darbarīka āķa.

UZMANĪBU: Pirms darba pārliecinieties, ka plecu siksnas sprādzes ir cieši nostiprinātas.

UZMANĪBU: Vienmēr izmantojiet šim darbarīkam paredzēto plecu siksnu. Neizmantojiet citas plecu siksnas.

1. Uzlieciet plecu siksnas un aiztaisiet sprādzi.

- **Att.28:** 1. Sprādze

PIEZĪME: Lai noņemtu plecu siksnu, atvienojiet sprādzi un noņemiet plecu siksnu.

2. Noregulējiet plecu siksnas, lai varētu ērti strādāt.

- **Att.29**

3. Ieāķējiet plecu siksnas āķi darbarīka cilpā.

- **Att.30:** 1. Āķis 2. Cilpa

Plecu siksnu var ātri noņemt. Vienkārši saspiediet sprādzes sānus, lai atbrīvotu plecu siksnu.

- **Att.31:** 1. Sprādze

Darbs ar darbarīku

UZMANĪBU: Kad darbojas dzinējs, ķēdes zāģim netuviniet nevienu ķermeņa daļu.

UZMANĪBU: Kad motors darbojas, stingri turiet darbarīku ar abām rokām.

UZMANĪBU: Nestiepieties. Vienmēr stingri stāviet uz piemērota atbalsta un saglabājiet līdzsvaru.

UZMANĪBU: Zāģējot zarus, uzmanieties, lai darbarīka galvas lielā svara dēļ nezaudētu līdzsvaru.

UZMANĪBU: Vienmēr izveidojiet atkāpšanās ceļu gadījumam, ja zars krīt operatora virzienā.

UZMANĪBU: Zāģēšanai nekad neizmantojiet vadotnes galu. Pretējā gadījumā var notikt bīstams atsitiens, un ir iespējami savainojumi.

IEVĒRĪBAI: Darbarīku nekur nesviediet un nemetiet zemē.

IEVĒRĪBAI: Neapsedziet darbarīka atveres.

IEVĒRĪBAI: Nelietojiet darbarīku ar spēku. Pretējā gadījumā iespējami darbarīka bojājumi.

Stāviet uz stabilas pamatnes un turiet darbarīku atstatu no zariem tā, lai darbarīka leņķis nepārsniegtu 60° attiecībā pret horizontālo zemes virsmu.

- **Att.32:** 1. Ne vairāk par 60°

Iedarbiniet darbarīku un tad viegli spiediet zāģa ķēdi uz zara.

Zāģējot garus zarus, vispirms sadaliet zarus posmos, lai varētu kontrolēt zaru krišanas pozīciju, un tad zāģējiet zaru, sākot no galotnes. Pievērsiet uzmanību krītošajiem zariem, jo tie pēc nokrišanas zemē var atlēkt operatora virzienā.

- **Att.33**

Zāģējot resnus zarus, vispirms sekli iezāģējiet to apakšējā daļā un pēc tam nozāģējiet tos no augšpusē.

- **Att.34**

Ja mēģināsiet nozāģēt resnu zaru no apakšpusē, tas var iespiest zāģa ķēdi zāģējuma vietā. Ja mēģināsiet nozāģēt resnu zaru no augšpusē, neiezāģējiet apakšpusē, zars var sašķelties.

- **Att.35**

Darbarīka pārvietošana

Pirms darbarīka nešanas vienmēr izņemiet no darbarīka akumulatora kasetni, pievienojiet vadotnes vāku un saitsiniet cauruļi. Akumulatora kasetnei uzlieciet arī akumulatora vāku.

- **Att.36:** 1. Virzošās slīdes vāks 2. Akumulatora vāks

Darbarīka lietošana ar pārnēsājamo barošanas bloku

Papildpiederumi

Ja izmantojat darbarīku kopā ar pārnēsājamo barošanas bloku, izmantojiet piekaramo lenti.

Piekaramās lentes piestiprināšana

1. Piekaramās lentes āķus piestipriniet pie plecu siksnas vai vidukļa siksnas gredzeniem, kā parādīts attēlā. Lentes veidu un piestiprināšanas metodi izvēlieties atbilstoši lietošanas veidam.

- ▶ **Att.37:** 1. Gredzens 2. Āķis
- ▶ **Att.38:** 1. Gredzens 2. Āķis

2. Piestipriniet āķi pie darbarīka.

- ▶ **Att.39:** 1. Āķis

Ierīces atvienošana

Kad novelkat darbarīku, atsprādzējiet piekaramās lentes sprādzi ar vienu roku, turot darbarīku ar otru roku.

- ▶ **Att.40:** 1. Sprādze

PIEZĪME: Atkarībā no siksnas veida sprādze var nebūt aprīkojumā.

Ja ir nepieciešams atbrīvot darbarīku ātri, veiciet tālāk norādītās darbības.

1. Piespiediet vidukļa siksnas sprādzes sviras, lai atbloķētu sprādzi.

- ▶ **Att.41:** 1. Sprādze 2. Svira

2. Noņemiet plecu siksnu, lai atbrīvotu darbarīku un ierīci.

- ▶ **Att.42:** 1. Plecu siksnā

APKOPE

⚠UZMANĪBU: Pirms darbarīka pārbaudes vai apkopes vienmēr pārliecinieties, ka darbarīks ir izslēgts un akumulatora kasetne ir izņemta.

⚠UZMANĪBU: Veicot pārbaudi vai tehnisko apkopi, vienmēr valkājiet cimdus.

IEVĒRĪBAI: Nekad neizmantojiet gazolīnu, benzīnu, atšķaidītāju, spirtu vai līdzīgus šķidrumus. Tas var radīt izbalēšanu, deformāciju vai plaisas.

Lai saglabātu izstrādājuma DROŠU un UZTICAMU darbību, remontdarbus, apkopi un regulēšanu uzticiet veikt tikai Makita pilnvarotam vai rūpnīcas apkopes centram, un vienmēr izmantojiet tikai Makita rezerves daļas.

Zāģa ķēdes asināšana

Zāģa ķēde jāasina, ja:

- zāģējot mitru koku, rodas irdenas zāģskaidas;
- ķēde ar grūtībām zāģē koku, pat ja to piespiež stingri;
- griezējuma līnī acīm redzami bojāti;
- zāģis kokā raujas pa kreisi vai pa labi. (Vienmērīgi uzasinātas zāģa ķēdes dēļ vai bojājums ir tikai vienā pusē.)

Zāģa ķēdi asiniet bieži, taču katru reizi tikai nedaudz. Ikdienas uzasināšanai parasti pietiek ar diviem vai trim vīles pārvilcieniem. Kad zāģa ķēde asināta vairākas reizes, nogādājiet to mūsu pilnvarotajā apkopes centrā, lai to tur uzasinātu.

Asināšanas kritēriji

⚠BRĪDINĀJUMS: Pārmērīgs attālums starp griezējumu un dziļummēru palielina atsitienu iespējamību.

- ▶ **Att.43:** 1. Zoba garums 2. Attālums starp griezējumu un dziļummēru 3. Minimālais frēze garums (3 mm)

- Visiem zobiem jābūt vienādā garumā. Atšķirīga zobu garuma dēļ zāģa ķēde nedarbojas vienmērīgi, tādēļ zāģa ķēde var salūzt.
- Ja zobi sasnieguši 3 mm garumu vai ir īsāki, nesiniet ķēdi. Ķēde ir jāmaina.
- Skaidu biezumu nosaka attālums starp dziļummēru (apaļgalu) un griezējumu.
- Vislabāk ķēde zāģē tad, ja starp griezējumu un dziļummēru ir tālāk norādītais attālums.
 - Ķēdes asmens 90PX: 0,65 mm
 - Ķēdes asmens 91PX: 0,65 mm

- ▶ **Att.44**

- Visiem zobiem jābūt vienādam asināšanas leņķim – 30°. Ja zobu leņķi būs dažādi, ķēde darbosies raujpi un nevienmērīgi, pārāk ātri nolietosies un salūzīs.
- Lai pret zobu noturētu pareizu asināšanas leņķi, jāizmanto piemērota apaļā vīle.
 - Ķēdes asmens 90PX: 55°
 - Ķēdes asmens 91PX: 55°

Vīle un vīles bīdītājs

- Lai uzasinātu zāģa ķēdi, izmantojiet īpašu apaļo vīli (papildpiederums). Parastās apaļās vīles nav piemērotas.
- Diametrs atbilstošajām apaļajām vīlēm ir tālāk norādīts.
 - Ķēdes asmens 90PX: 4,5 mm
 - Ķēdes asmens 91PX: 4,0 mm
- Ķēde ar vīli jāvilē tikai virzienā uz priekšu. Atpakaļgājienā vīli no ķēdes noņemiet.
- Īsākos zobus asiniet vispirms. Šo zobu garums nosaka visu pārējo zāģa ķēdes zobu nepieciešamo garumu.
- Vīli virziet tā, kā attēlots ziņējumā.

- ▶ **Att.45:** 1. Vīle 2. Zāģa ķēde

- Ja izmanto vīles turētāju (papildaprīkojums), virzīt vīli ir daudz vieglāk. Uz vīles turētāja ir atzīmes pareizam asināšanas leņķim 30° (atzīmes centrējiet paralēli zāģa ķēdei), un tas ierobežo iespējamās dziļumu (līdz 4/5 no vīles diametra).

- ▶ **Att.46:** 1. Vīles turētājs

- Pēc ķēdes uzasināšanas pārbaudiet dziļummēra augstumu, izmantojot ķēdes mērinstrumentu (papildaprīkojums).

- ▶ **Att.47**

- Ar īpašu plakano vīli (papildaprīkojums) nogludiniet visus neflēzējumus, pat mazus.
- Vēlreiz noapaļojiet dziļummēra priekšējo daļu.

Noīriet virzošo sliedi

Virzošās sliedes rievā uzkrāsies skaidas un putekļi. Tie var aizsprostot sliedes rievu un traucēt eļļas plūsmu. Skaidas un putekļus izīriet katru reizi, kad asināt vai nomaināt zāģa ķēdi.

- ▶ **Att.48**

Kēdesrata aizsarga tīrīšana

Skaidas un putekļi uzkrāsies kēdesrata aizsarga iekšpusē. No darbarīka noņemiet kēdesrata aizsargu un zāģa ķēdi, tad iztīriet skaidas un putekļus.

► **Att.49**

Eļļas izvades atveres tīrīšana

Darbības laikā eļļas izvades atverē var uzkrāties putekļi vai mazas daļiņas. Šie putekļi vai daļiņas var samazināt eļļas plūsmu un izraisīt nepietiekamu visas ķēdes eļļošanu. Ja konstatēta vāja eļļas padeve virzošās sliedes galā, iztīriet eļļas izvades atveri.

1. No darbarīka noņemiet kēdesrata aizsargu un zāģa ķēdi.
 2. Aizvāciet sīkus putekļus vai daļiņas, izmantojot plakanā uzgaļa skrūvgriezi vai līdzīgu darbarīku.
- **Att.50:** 1. Plakangala skrūvgriezis 2. Eļļas izvades atvere
3. Darbarīkā ielieciet akumulatora kasetni. Paveļciet slēdža mēlīti, lai no eļļas izvades atveres izvadītu uzkrājušos putekļus vai daļiņas, iztecinot ķēdes eļļu.
 4. No darbarīka izņemiet akumulatora kasetni. Darbarīkam uzlieciet kēdesrata aizsargu un zāģa ķēdi.

Norādījumi par regulāru tehnisko apkopi

Lai nodrošinātu ilgu darbarīka kalpošanas laiku, nepieļautu bojājumus un garantētu drošības aprīkojuma pilnīgu funkcionēšanu, regulāri jāveic tālāk norādītie tehniskās apkopes darbi. Garantijas remonta pieprasījumu pieņem tikai tad, ja šos darbus veic regulāri un pareizi. Ja regulāri neveic norādīto tehnisko apkopi, ir iespējami negadījumi! Darbarīka lietotājs nedrīkst veikt tādas tehniskās apkopes darbus, kas nav aprakstīti šajā lietošanas rokasgrāmatā. Visi šāda veida darbi jāveic mūsu pilnvarotā apkopes centrā.

Pārbaudāmais viensoms/veikšanas laiks		Pirms izmantošanas	Katru dienu	Reizi nedēļā	Reizi 3 mēnešos	Reizi gadā	Pirms glabāšanas
Viss darbarīks	Apskate.	✓	-	-	-	-	-
	Tīrīšana.	-	✓	-	-	-	-
	Pārbaude pilnvarotā apkopes centrā.	-	-	-	-	✓	✓
Zāģa ķēde	Apskate.	✓	-	-	-	-	-
	Asināšana, ja vajag.	-	-	-	-	-	✓
Virzošā sliede	Apskate.	✓	✓	-	-	-	-
	Noņemiet no darbarīka.	-	-	-	-	-	✓
Ķēdes eļļošana	Pārbaudīt eļļas padeves ātrumu.	✓	-	-	-	-	-
Slēdža mēlīte	Apskate.	✓	-	-	-	-	-
Atbloķēšanas svira	Apskate.	✓	-	-	-	-	-
Eļļas tvertnes vāciņš	Pārbaudīt ciešumu.	✓	-	-	-	-	-
Skrūves un uzgriežņi	Apskate.	-	-	✓	-	-	-

Kēdesrata nomaīņa

⚠UZMANĪBU: Nodilis kēdesrats sabojās jaunu zāģa ķēdi. Šajā gadījumā nomainiet kēdesratu.

Pirms jaunas zāģa ķēdes uzlikšanas pārbaudiet kēdesrata stāvokli. Ja kēdesrats ir nodilis vai bojāts, nomainiet to Makita pilnvarotā apkopes centrā.

► **Att.51:** 1. Kēdesrats 2. Izdiluma zonas

Darbarīka glabāšana

1. Pirms darbarīka novietošanas glabāšanai iztīriet to. Pēc kēdesrata aizsarga noņemšanas no darbarīka iztīriet skaidas un putekļus.
2. Pēc darbarīka iztīrīšanas darbiniet to bez noslodzes, lai ieeļļotu zāģa ķēdi un virzošo sliedi.
3. Uzlieciet vadotnei vadotnes vāku un saīsiniet cauruli.
4. Iztukšojiet eļļas tvertni.

PROBLĒMU NOVĒRŠANA

Pirms nodošanas remontā vispirms veiciet pārbaudi pats. Ja konstatējat kļūmi, kas nav aprakstīta rokasgrāmatā, nemēģiniet darbarīku izjaukt. Dodieties uz Makita pilnvarotu apkopes centru un remontam vienmēr izmantojiet tikai Makita rezerves daļas.

Nefunkcionēšanas stāvoklis	Iemesls	Rīcība
Darbarīks nesāk darboties.	Nav ievietota akumulatora kasetne.	Ievietojiet uzlādēta akumulatora kasetni.
	Akumulatora problēma (niecīga jauda).	Uzlādējiet akumulatora kasetni. Ja uzlāde nesniedz vēlamo rezultātu, nomainiet akumulatora kasetni.
	Galvenais elektropadeves slēdzis ir izslēgts.	Ja darbarīks noteiktu laiku netiek lietots, tas automātiski izslēdzas. Vēlreiz nospiediet galveno ieslēgšanas slēdzi.
Pēc īsa darbošanās brīža dzinējs noslāpst.	Akumulatora uzlādes līmenis ir par zemu.	Uzlādējiet akumulatora kasetni. Ja uzlāde nesniedz vēlamo rezultātu, nomainiet akumulatora kasetni.
Uz ķēdes nav eļļas.	Eļļas tvertne ir tukša.	Uzpildiet eļļas tvertni.
	Eļļas sliedes rievā ir netīra.	Iztīriet rievu.
Darbarīks nesasniedz maksimālo apgrīzīenu skaitu minūtē.	Akumulatora kasetne ievietota nepareizi.	Akumulatora kasetni uzstādiet, kā aprakstīts šajā rokasgrāmatā.
	Samazinās akumulatora jauda.	Uzlādējiet akumulatora kasetni. Ja uzlāde nesniedz vēlamo rezultātu, nomainiet akumulatora kasetni.
	Piedziņas sistēma nedarbojas pareizi.	Lūdziet, lai pilnvarotā apkopes centrā jūsu reģionā to saremontē.
Elektrobarošanas lampa mirgo zaļā krāsā.	Slēdža mēlīte ir parauta, kad nenotiek ekspluatācija.	Kad ir ieslēgts galvenais ieslēgšanas slēdzis, pavelciet slēdža mēlīti.
Pārmērīga vibrācija: nekavējoties apturiet darbarīku!	Palaidiet vaļīgāk virzošo sliedi vai zāga ķēdi.	Piergulējiet virzošās sliedes un zāga ķēdes nospriegojumu.
	Darbarīks nestrādā.	Lūdziet, lai pilnvarotā apkopes centrā jūsu reģionā to saremontē.
Zāga ķēdi nevar uzmontēt.	Zāga ķēde nav saderīga ar ķēdesratu.	Lai uzzinātu, kādas zāga ķēdes un ķēdesrati ir saderīgi, skatiet tehnisko datu sadaļu.

PAPILDU PIEDERUMI

⚠UZMANĪBU: Šādi piederumi un papildierīces tiek ieteiktas lietošanai ar šajā rokasgrāmatā aprakstīto Makita darbarīku. Izmantojot citus piederumus vai papildierīces, var tikt radīta trauma gūšanas bīstamība. Piederumu vai papildierīci izmantojiet tikai paredzētajam mērķim.

Ja jums vajadzīga palīdzība vai precīzāka informācija par šiem piederumiem, vērsieties savā tuvākajā Makita apkopes centrā.

- Zāga ķēde
- Virzošā sliede
- Virzošās sliedes vāks
- Vīle
- Makita oriģinālais akumulators un lādētājs

⚠BRĪDINĀJUMS: Ja iegādājaties vadotni, kuras garums atšķiras no standarta vadotnes garuma, kopā ar to iegādājieties arī piemērotu vadotnes vāku. Tam ir jābūt atbilstošam un pilnībā jānosedz vadotne pie darbarīka.

PIEZĪME: Daži sarakstā norādītie izstrādājumi var būt iekļauti instrumenta komplektācijā kā standarta piederumi. Tie dažādās valstīs var būt atšķirīgi.

SPECIFIKACIJOS

Modelis:		UA004G
Bendrasis ilgis (be kreipimo juostos ir akumulatoriaus)		2 516–3 748 mm
Vardinė įtampa		Nuolatinė 36 V – 40 V maks.
Grynasis svoris	*1	7,8 kg
	*2	7,8–9,1 kg
Standartinis kreipimo juostos ilgis		300 mm
Rekomenduojamas kreipimo juostos ilgis	su 90PX	250–300 mm
	su 91PX	250–300 mm
Tinkamas pjūklo grandinės tipas (žr. toliau pateiktą lentelę)		90PX 91PX
Standartinė žvaigždutė	Dantų skaičius	6
	Žingsnis	3/8 col.
Grandinės greitis		0–20 m/s (0–1 200 m/min)
Grandinei skirtos alyvos bakelio tūris		160 cm ³
Apsaugos laipsnis		IPX4

- Atliekame tęsinius tyrimus ir nuolatos tobuliname savo gaminius, todėl čia pateikiamos specifikacijos gali būti keičiamos be įspėjimo.
- Techninės sąlygos įvairiose šalyse gali skirtis.

*1: Svoris su didžiausia akumulatoriaus kasete ir tuščiu alyvos baku bei be kreipimo juostos, grandinės ir perpetės diržo pagal EN ISO11680-1.

*2: mažiausio ir didžiausio svorių derinys pagal 2014 sausio mėn. EPTA procedūrą. Svoris gali priklausyti nuo priedo (-ų), įskaitant akumulatoriaus kasetę.

Tinkama akumulatoriaus kasetė ir (arba) įkroviklis

Akumulatoriaus kasetė	BL4020 / BL4025 / BL4040* / BL4050F* / BL4080F* *: rekomenduojamas akumulatorius
Įkroviklis	DC40RA / DC40RB / DC40RC

- Atsižvelgiant į gyvenamosios vietos regioną, kai kurios pirmiau nurodytos akumulatoriaus kasetės ir įkrovikliai gali būti neprieinami.

⚠️ISPĖJIMAS: Naudokite tik akumulatoriaus kasetes ir įkroviklius, kurie nurodyti anksčiau. Naudojant bet kurias kitas akumulatoriaus kasetes ir įkroviklius, gali kilti sužeidimo ir gaisro pavojus.

Rekomenduojamas laidu prijungiamas maitinimo šaltinis

Nešiojamas maitinimo šaltinis	PDC01 / PDC1200
-------------------------------	-----------------

- Atsižvelgiant į gyvenamosios vietos regioną, pirmiau nurodytas (-i) laidu prijungiamas (-i) maitinimo šaltinis (-iai) gali būti neprieinamas (-i).
- Prieš naudodami laidu prijungiamą maitinimo šaltinį, perskaitykite instrukciją ir ant jų pateiktus perspėjimus.

Pjūkle grandinės, kreipimo juostos ir žvaigždutės derinys

Grandininio pjūklo tipas		90PX
Pavaros jungčių skaičius		46
Pjovimo juosta	Pjovimo juostos ilgis	300 mm
	Pjovimo ilgis	296 mm
	Pasvirimas	3/8 col.
	Ribotumas	1,1 mm
	Tipas	Žvaigždutės antgalio juosta
Žvaigždutė	Dantų skaičius	6
	Žingsnis	3/8 col.

Grandininio pjūklo tipas		91PX
Pavaros jungčių skaičius		46
Pjovimo juosta	Pjovimo juostos ilgis	300 mm
	Pjovimo ilgis	296 mm
	Pasvirimas	3/8 col.
	Ribotumas	1,3 mm
	Tipas	Žvaigždutės antgalio juosta
Žvaigždutė	Dantų skaičius	6
	Žingsnis	3/8 col.

⚠️ ĮSPĖJIMAS: Naudokite tinkamą pjovimo juostą ir grandininį pjūklą. Antraip galite susižaloti.

Simboliai

Toliau yra nurodyti simboliai, kurie gali būti naudojami įrangai. Prieš naudodami įsitikinkite, kad suprantate jų reikšmę.



Perskaitykite instrukcijų vadovą.



Naudokite šalmą, apsauginius akinius ir klausos apsaugines priemones.



Užsidėkite apsaugines pirštines.



Avėkite tvirtus batus neslidžiais padais. Rekomenduojama avėti batus su plieno apsaugomis kojų pirštams.



Saugokitės elektros linijų, elektros smūgio pavojus.



Atstumas turi būti bent 15 m.



Didžiausias leistinasis pjovimo ilgis



Grandinės eigos kryptis



Grandininės alyvos bakas



Įkaitę paviršiai – galima nusideginti pirštus arba rankas.



Ni-MH
Li-ion

Taikoma tik ES šalis

Kadangi įrangoje yra pavojaingų komponentų, panaudota elektrinė ir elektroninė įranga, akumuliatoriai ir baterijos gali turėti neigiamo poveikio aplinkai ir žmonių sveikatai.

Nešalinkite elektros ir elektroninių prietaisų ar baterijų kartu su buitinėmis atliekomis! Pagal Europos direktyvą dėl elektros ir elektroninės įrangos atliekų bei akumuliatorių ir baterijų ir panaudotų akumuliatorių ir baterijų bei jos pritaikymą nacionaliniams įstatymams, panaudota elektros ir elektroninė įranga, baterijos ir akumuliatoriai turi būti surenkami atskirai ir pristatomi į atskirą buitinių atliekų surinkimo punktą, kuris veikia pagal aplinkos apsaugos taisykles. Tai rodo perbrauktas konteinerio ant ratukų simbolis, pateiktas ant įrangos.



Garantuojamas garso galios lygis pagal ES lauko triukšmo direktyvą.



Garso galios lygis pagal Australijos NSW triukšmo kontrolės reglamentą

Numatytoji naudojimo paskirtis

Įrankis yra skirtas šakoms ir šakelėms genėti.

Triukšmas

Įprastas triukšmo A lygis, nustatytas pagal ISO22868(ISO11680-1):
Garso slėgio lygis (L_{pA}): 90 dB (A)
Garso galios lygis (L_{WA}): 105 dB (A)
Paklaida (K): 3 dB (A)

PASTABA: Paskelbta (-os) triukšmo reikšmė (-ės) nustatyta (-os) pagal standartinį testavimo metodą ir jį galima naudoti vienam įrankiui palyginti su kitu.

PASTABA: Paskelbta (-os) triukšmo reikšmė (-ės) taip pat gali būti naudojama (-os) norint preliminariai įvertinti triukšmo poveikį.

▲ISPĖJIMAS: Dėvėkite ausų apsaugą.

▲ISPĖJIMAS: Faktiškai naudojant elektrinį įrankį, keliamo triukšmo dydis gali skirtis nuo paskelbtos (-ų) reikšmės (-ių), priklausomai nuo būdu, kuriais yra naudojamas šis įrankis, ir ypač nuo to, kokio tipo ruošinys apdirbamas.

▲ISPĖJIMAS: Siekdami apsaugoti operatorių, būtina įvertinkite saugos priemones, remdamiesi vibracijos poveikio įvertinimu esant faktinėms naudojimo sąlygoms (atsižvelgdami į visas darbo ciklo dalis, pavyzdžiui, ne tik kiek laiko įrankis veikia, bet ir kiek kartų jis yra išjungiamas bei kai jis veikia be apkravų).

Vibracija

Kairioji rankena (priekinė rankena)		Dešinioji rankena (galinė rankena)		Taikomas standartas
ah (m/s ²)	Paklaida K (m/s ²)	ah (m/s ²)	Paklaida K (m/s ²)	
2,5	1,5	3,1	1,5	ISO22867(ISO11680-1)

PASTABA: Paskelbta (-os) vibracijos bendroji (-osios) reikšmė (-ės) nustatyta (-os) pagal standartinį testavimo metodą ir jį galima naudoti vienam įrankiui palyginti su kitu.

PASTABA: Paskelbta (-os) vibracijos bendroji (-osios) reikšmė (-ės) taip pat gali būti naudojama (-os) norint preliminariai įvertinti vibracijos poveikį.

▲ISPĖJIMAS: Faktiškai naudojant elektrinį įrankį, keliamos vibracijos dydis gali skirtis nuo paskelbtos (-ų) reikšmės (-ių), priklausomai nuo būdu, kuriais yra naudojamas šis įrankis, ir ypač nuo to, kokio tipo ruošinys apdirbamas.

▲ISPĖJIMAS: Siekdami apsaugoti operatorių, būtina įvertinkite saugos priemones, remdamiesi vibracijos poveikio įvertinimu esant faktinėms naudojimo sąlygoms (atsižvelgdami į visas darbo ciklo dalis, pavyzdžiui, ne tik kiek laiko įrankis veikia, bet ir kiek kartų jis yra išjungiamas bei kai jis veikia be apkravų).

EB atitikties deklaracija

Tik Europos šalis

EB atitikties deklaracija yra pridėdama kaip šio instrukcijų vadovo A priedas.

SAUGOS ĮSPĖJIMAI

Bendrieji įspėjimai dirbant elektriniais įrankiais

▲ISPĖJIMAS: Perskaitykite visus saugos įspėjimus, instrukcijas, iliustracijas ir techninius duomenis, pateiktus kartu su šiuo elektriniu įrankiu. Nesilaikant visų toliau išvardytų instrukcijų galima patirti elektros smūgį, gali kilti gaisras ir (arba) galima sunkiai susižaloti.

Įsisaugokite visus įspėjimus ir instrukcijas, kad galėtumėte jas peržiūrėti ateityje.

Terminas „elektrinis įrankis“ pateiktuose įspėjimuose reiškia į maitinimo tinklą jungiamą (laidinį) elektrinį įrankį arba akumulatoriaus maitinamą (belaidį) elektrinį įrankį.

Įspėjimai dėl akumulatorinio teleskopinio vamzdinio pjūklų saugos

Bendros atsargumo priemonės

1. Prieš įjungdami įrankį, perskaitykite šią naudojimo instrukciją, kad susipažintumėte su įrankio naudojimu.
2. Neskolinkite įrankio asmeniui, kuris turi nepakankamai įrankio naudojimo patirties ar žinių.
3. Skolindami įrankį, visada pridėkite šią naudojimo instrukciją.
4. Neleiskite įrankio naudoti vaikams ar jaunesniems nei 18 metų asmenims. Jie turi laikytis toliau nuo įrankio.
5. Naudodami įrankį, būkite labai atsargūs ir atidūs.
6. Niekada nenaudokite įrankio, jeigu esate apsvaigę nuo alkoholio ar narkotikų arba jeigu jaučiatės pavargę ar sergate.
7. Jokių būdu nemėginkite keisti įrankio konstrukcijos.
8. Nenaudokite įrankio esant blogam orui, ypač jei gali žaibuoti. Taip sumažinsite žaibo nutrenkimo pavojų.
9. Šalies teisiniai aktai gali riboti įrankio naudojimą. Laikykitės savo šalies teisės aktų dėl įrankio naudojimo.

Asmeninės apsaugos priemonės

1. Užsidėkite saugos šalną, apsauginius akinius ir apsaugines pirštines, kad apsisaugotumėte nuo skrendančių nuolaužų arba krentančių daiktų.
2. Užsidėkite ausų apsaugas, pvz., ausines, apsaugančias klausą.
3. Dėvėkite tinkamus drabužius ir avėkite saugiam darbui pritaikytą avalynę, pvz., kombinezoną ir tvirtus, nelystančius batus. Nedėvėkite laisvų drabužių arba laisvai kabančių papuošalų. Judančios dalys gali įtraukti laisvus drabužius, papuošalus arba ilgus plaukus.
4. Kai tvarkote pjūklo grandinę arba reguliuojate grandinės įtempimą, mūvėkite apsaugines pirštines. Pjūklo grandinė gali stipriai įpjauti rankas.

Darbo vietos sauga

1. Laikykite įrankį ne mažesniu kaip 15 m atstumu nuo elektros linijų ir ryšio kabelių (įskaitant juos liečiančias šakas). Įrankiu palietus arba priartėjus prie aukštosios įtampos linijų, galima žūti arba sunkiai susižaloti. Prieš pradėdami darbą, patikrinkite, ar darbo plote nėra elektros linijų ir elektrinių tvorų.
2. Naudokite įrankį tik esant geram matomumui ir tik dieną. Nenaudokite įrankio tamsoje arba esant rūkui.
3. Darbo metu niekada nestovėkite ant nestabilaus ar slidaus paviršiaus arba ant statuso šlaito. Šaltuoju metų laiku saugokitės ledo ir sniego bei visada užtikrinkite saugią kojų atramą.
4. Kai dirbate, pašaliniai asmenys ar gyvūnai turi būti ne mažesniu kaip 15 m atstumu nuo įrankio. Kam nors artėjant išjunkite įrankį.
5. Kai dirbate su dviem ar daugiau žmonių, išlaikykite ne mažesnę kaip 15 m atstumą vienas nuo kito ir turėkite prižiūrėtoją.
6. Prieš dirbdami, apžiūrėkite darbo vietą, ar nėra vielos tvorų, sienų ar kitų kietų daiktų. Jie gali sugadinti pjūklo grandinę.

Pasiruošimas

1. Prieš surinkdami ar reguliuodami įrankį, išjunkite įrankį ir išimkite akumulatoriaus kasetę.
2. Prieš tvarkydami pjūklo grandinę arba reguliuodami grandinės įtempimą, mūvėkite apsaugines pirštines.
3. Prieš įjungdami įrankį, patikrinkite, ar jis nesugadintas, nėra atsilaisvinusių varžtų / veržlių ir ar tinkamai surinktas. Pagalškite atspūsią pjūklo grandinę. Jeigu pjūklo grandinė sulenкта ar pažeista, ją pakeiskite. Patikrinkite, ar tinkamai veikia visos valdymo svirtys ir jungikliai. Nuvalykite ir nusausinkite rankenas.
4. Niekada nebandykite jungti įrankio, jeigu jis sugadintas arba ne iki galo surinktas. Antraip galima sunkiai susižeisti.
5. Sureguliuokite perpetinį diržą, kad jis tiktų operatoriui.
6. Tinkamai sureguliuokite grandinės įtempimą. Jeigu reikia, papildykite grandininės alyvos.

Įrankio įjungimas

1. Prieš įjungdami įrankį, dėvėkite asmens apsaugos priemones.
2. Prieš įjungdami įrankį, įsitinkite, kad darbo srityje nebūtų jokių žmonių ar gyvūnų.
3. Kai įdedate akumulatoriaus kasetę, patikrinkite, ar pjūklo grandinė ir kreipimo juosta neliečia jūsų kūno ir kito daikto, įskaitant žemę. Įjungus pjūklo grandinę gali judėti ir sunkiai sužaloti arba ji gali būti sugadinta ir (arba) padaryta žala turtui.
4. Padėkite įrankį ant tvirtos žemės. Išlaikykite pusiausvyrą ir kojas pastatykite ant tvirtos pagrindo.

Naudojimas

1. Esant avarinei situacijai nedelsdami išjunkite įrankį.
2. Jeigu dirbdami pastebėsite neįprastą veikimą (pvz., triukšmą, vibraciją), išjunkite įrankį. Nenaudokite įrankio, kol nenustatysite priežasties ir jos nepašalinsite.
3. Išjungus įrankį, pjūklo grandinė dar trumpai judės. Nesukbėkite liesti pjūklo grandinės.
4. Dirbdami naudokite perpetinį diržą. Tvirtai laikykite įrankį dešinėje pusėje.
5. Kairiąja ranka suimkite priekinę rankeną, o dešiniąja – galinę rankeną, nesvarbu, ar esate dešiniarankis ar kairiarankis. Rankenas suimkite smiliais ir nykščiais.
6. Laikykite įrankį tik už izoliuotų rankenos paviršių, nes pjūklo grandinė gali paliesti paslėptus laidus. Pjūklo grandinei palietus laidą su įtampa, genėjimo įrankio atviromis metalinėmis dalimis gali pradėti tekėti srovė ir operatorius gali patirti elektros smūgį.
7. Niekada nebandykite valdyti įrankio viena ranka. Jo nesuvaldžius galima sunkiai ar mirtinai susižaloti. Norėdami sumažinti sužalojimo riziką, laikykite savo rankas ir kojas toliau nuo pjūklo grandinės.
8. Nepersisverkite. Visuomet tvirtai stovėkite ant žemės, išlaikykite pusiausvyrą. Stebėkite, ar nėra paslėptų kliūčių, pvz., kelmų, šaknų ir grovių, kad nesuklumtumėte. Patraukite nukritusias šakas ir kitus daiktus toliau.
9. Niekada nedirbkite stovėdami ant kopėčių arba medyje, kad neprarastumėte kontrolės.
10. Jei įrankis patiria stiprų smūgį arba nukrenta, prieš dirbdami toliau, patikrinkite jo būklę. Jeigu yra sugadinimas arba kyla dvejonių, paprašykite įrankį patikrinti ir pataisyti „Makita“ įgaliotojo techninės priežiūros centro.
11. Nelieskite įrankio galvutės. Dirbant įrankio galvutę įkaista.
12. Pailsėkite, kad dėl nuovargio neprarastumėte gebėjimo valdyti įrankio. Rekomenduojame kas valandą daryti 10–20 minučių pertrauką.
13. Kai paliekate įrankį, netgi trumpam laikui, visada jį išjunkite ir išimkite akumulatoriaus kasetę. Veikiantį ir neprižiurimą įrankį gali panaudoti pašalinis asmuo ir sukelti rimtą nelaimingą atsitikimą.

14. Kai dirbate su įrankiu, nekelkite dešinės rankos aukščiau savo peties.
15. Dirbdami niekada nelieskite pjūklo grandine kietų daiktų, pavyzdžiui, akmenų ir vinių. Būkite ypač atsargūs, kai pjaunate šakas greta sienų, vielos tvorų arba panašių daiktų.
16. Jeigu šakas įstringa įrankyje, visada išjunkite įrankį ir išimkite akumulatoriaus kasetę. Kitaip netyčia įjungus įrankį galima sunkiai susižaloti.
17. Jeigu pjūklo grandinė užsikemša, visada išjunkite įrankį ir išimkite akumulatoriaus kasetę prieš valydami.
18. Padidinus įrankio greitį, kai pjūklo grandinė užsikimšusi, padidėja apkrova ir įrankis bus sugadintas.
19. Kai pjaunate šakas, išlaikykite pasitraukimo sritį saugią nuo krintančių šakų. Pirmiausia išvalykite šakas iš darbinės srities. Patraukite visus įrankius ir daiktus iš pasitraukimo srities į kitą saugią vietą.
20. Prieš pjaudami šakas, patikrinkite jų kritimo kryptį, atsižvelgdami į jų būklę, gretimus medžius, vėjo kryptį ir pan. Atkreipkite dėmesį į kritimo kryptį ir šakos atšokimą nuo žemės.
21. Niekada nelaikykite įrankio didesniu kaip 60° kampu. Kitaip krintantys daiktai gali pataikyti į operatorių ir sukelti sunkų sužalojimą. Niekada nestovėkite po pjaunama šaka.
22. Atkreipkite dėmesį į nulūžusias ar nulinkusias šakas. Jos gali atšokti pjaunant ir sukelti netikėtą sužalojimą.
23. Prieš pjaudami norimas nupjauti šakas, pašalinkite aplink jas šakeles ir lapus. Kitaip pjūklo grandinė gali juose įstrigti.
24. Norėdami, kad pjūklo grandinė neįstrigtų prapjovoje, neatleiskite svirtelės prieš traukdami pjūklo grandinę iš prapjovos.
25. Jeigu pjūklo grandinė įstringa prapjovoje, nedelsdami išjunkite įrankį, atsargiai pajudinkite šaką, kad atvertumėte prapjovą ir atlaisvintumėte pjūklo grandinę.
26. Venkite atatrakos (sukamosios reaktyvios jėgos operatoriumi). Norėdami išvengti atatrakos, niekada nenaudokite kreipimo juostos priekio arba nedarykite įsiskverbimo pjovimo. Visada stebėkite kreipimo juostos priekio padėtį.
27. Dažnai tikrinkite grandinės įtempimą. Kai tikrinatė ar reguliuojatė grandinės įtempimą, išjunkite įrankį ir išimkite akumulatoriaus kasetę. Jeigu grandinė atsilaisvinusi, priveržkite ją.
28. Kai naudojate įrankį ant purvinos dirvos, drėgno nuolydžio ar slidžios vietos, atkreipkite dėmesį į pagrindą po kojomis.
29. Nepanardinkite įrankio į balą.
30. Nepalikite įrankio lauke lyjant.

Gabenimas

1. Prieš gabendami įrankį, išjunkite įrankį ir išimkite akumulatoriaus kasetę. Perveždami visada uždėkite kreipimo juostos gaubtą.
2. Kai gabenate įrankį, neškite jį horizontalioje padėtyje, laikydami už rankenos.

Priežiūra

1. Tegul įrangos priežiūros darbus atlieka mūsų įgaliotasis techninės priežiūros centras, visada naudokite tik originalias pakeičiamąsias dalis. Netinkamas remontas ir prasta techninė priežiūra gali sutrumpinti įrankio naudojimo laiką ir padidinti nelaimingų atsitikimų pavojų.
2. Prieš atlikdami techninės priežiūros, remonto ar įrankio valymo darbus, visada išjunkite įrankį ir išimkite akumulatoriaus kasetę. Palaukite, kol įrankis atvės.
3. Dirbdami su pjūklo grandine, visada mūvėkite apsaugines pirštines.
4. Po kiekvieno naudojimo priveržkite visus varžtus ir poveržles, išskyrus reguliavimo varžtus.
5. Išlaikykite pjūklo grandinę aštrią. Jeigu pjūklo grandinė atbunka ir blogai pjauna, paprašykite „Makita“ įgaliotojo techninės priežiūros centro ją pagalėti arba pakeisti nauja.
6. Nebandykite atlikti jokių techninės priežiūros ar remonto darbų, kurie neaprašyti šiame instrukcijų vadove. Paprašykite šiuos darbus atlikti „Makita“ įgaliotojo techninės priežiūros centro.
7. Visada naudokite tik originalias „Makita“ atsargines dalis ir priedus. Naudojant trečiosios šalies tiekiamas dalis arba priedus įrankis gali sugesti, gali būti sugadintas turtas ir (arba) galima patirti sunkų sužalojimą.

Sandėliavimas

1. Prieš sandėliuodami įrankį, atlikite visus jo valymo ir techninės priežiūros darbus. Uždėkite kreipimo juostos gaubtą. Ištraukite akumulatoriaus kasetę. Kai įrankis atvėsta, išleiskite grandinę alyvą.
2. Laikykite įrankį sausoje ir aukštoje arba rakinamoje, vaikams neprieinamoje vietoje.
3. Neatremkite įrankio į ką nors, pvz., į sieną. Priešingu atveju jis gali staiga nukristi ir sužaloti.
4. Įrankio laikymo vietos neturėtų pasiekti tiesioginiai saulės spinduliai ir lietus; laikykite ten, kur jis nesušlaps ir neįkais.

Elektros ir akumulatoriaus sauga

1. Nemeskite akumulatoriaus (-ių) į ugnį. Akumulatoriaus elementas gali sprogti. Pasitikrinkite, ar vietiniai įstatymai nenurodo specialaus išmetimo būdo.
2. Neatidarykite ir neardykite akumulatoriaus (-ių). Ištekėjęs elektrolitas yra esdinančioji medžiaga, kuri gali pažeisti akis ar odą. Nurytas jis gali apnuodyti.
3. Nenaudokite akumulatoriaus lyjant arba drėgnose vietose.
4. Nekraukite akumulatoriaus lauke.
5. Neimkite įkroviklio, įskaitant įkroviklio kištuką ir gnybtus, drėgnomis rankomis.
6. Venkite pavojingos aplinkos. Nenaudokite šio įrankio drėgnoje arba šlapioje vietoje, saugokite jį nuo lietaus. Į įrankį patekęs vanduo padidins elektros smūgio pavojų.
7. Nekeiskite akumulatoriaus lyjant.

SAUGOKITE ŠIAS INSTRUKCIJAS.

⚠️ JSPĖJIMAS: NELEISKITE, kad patogumas ir gaminio pažinimas (įgijamas pakartotinai naudojant) susilpnintų griežtą saugos taisyklių, taikytinų šiam gaminiui, laikymąsi. Dėl **NETINKAMO NAUDOJIMO** arba saugos taisyklių, kurios pateiktos šioje instrukcijoje, nesilaikymo galima rimtai susižeisti.

Svarbios saugos instrukcijos, taikomos akumulatoriaus kasetei

1. Prieš naudodami akumulatoriaus kasetę, perskaitykite visas instrukcijas ir perspėjimus ant (1) akumuliatorių įkroviklio, (2) akumuliatorių ir (3) akumuliatorių naudojančio gaminio.
2. Neardykite ir negadinkite akumulatoriaus kasetės. Dėl to ji gali užsidegti, per daug įkaisti arba sprogti.
3. Jei įrankio darbo laikas žymiai sutrumpėjo, nedelsdami nutraukite darbą su įrankiu. Tai gali kelti perkaitimo, nudegimų ar net sprogdimo pavojų.
4. Jei elektrolitas pateko į akis, plaukite jas tyru vandeniu ir nedelsdami kreipkitės į gydytoją. Gali kilti regėjimo praradimo pavojus.
5. Neužtrumpinkite akumulatoriaus kasetės:
 - (1) Nelieskite kontaktų degiomis medžiagomis.
 - (2) Venkite laikyti akumulatoriaus kasetę kartu su kitais metaliniais daiktais, pavyzdžiui, vinimis, monetomis ir pan.
 - (3) Saugokite akumulatoriaus kasetę nuo vandens ir lietaus.Trumpasis jungimas akumuliatoriuje gali sukelti stiprią srovę, perkaitimą, galimus nudegimus ar net akumulatoriaus gedimą.
6. Nelaiikykite ir nenaudokite įrankio ir akumulatoriaus kasetės vietoje, kur temperatūra gali pasiekti ar viršyti 50 °C (122 °F).
7. Nedeginkite akumulatoriaus kasetės, net jei yra stipriai pažeista ar visiškai susidėvėjusi. Ugnyje akumulatoriaus kasetė gali sprogti.
8. Akumulatoriaus kasetės nekalkite, nepjausdykite ir nemėtykite ir taip pat jį netrancykite kietai daiktui. Taip elgiantis, ji gali užsidegti, per daug įkaisti arba sprogti.
9. Nenaudokite pažeisto akumulatoriaus.
10. Įdėtoms ličio jonų akumuliatoriams taikomi Pavojingų prekių teisės akto reikalavimai. Komeracinis transportas, pvz., trečiųjų šalių, prekių vežimo atstovų, turi laikytis specialaus reikalavimo ant pakuotės ir ženklavimo. Norėdami paruošti siūstiną prekę, pasitarkite su pavojingų medžiagų specialistu. Be to, laikykitės galimai išsamesnių nacionalinių reglamentų. Užklijuokite juosta arba padenkite atvirus kontaktus ir supakuokite akumuliatorių taip, kad ji pakuotėje nejudėtų.
11. Kai išmetate akumulatoriaus kasetę, išimkite ją iš įrankio ir išmeskite saugioje vietoje. Vadovaukitės vietos reglamentais dėl akumuliatorių išmetimo.

12. Baterijas naudokite tik su „Makita“ nurodytais gaminiais. Baterijas įdėjus į netinkamus gaminius gali kilti gaisras, gaminys pernelyg kaisti, kilti sprogdimas arba pratekėti elektrolitas.
13. Jei įrankis bus ilgą laiką nenaudojamas, akumuliatorių būtina išimti iš įrankio.
14. Darbo metu ir po akumuliatorių kasetė gali būti įkaitusi ir dėl to nudeginti. Imdami akumulatoriaus kasetes, būkite atsargūs.
15. Tuojau pat po naudojimo nelieskite įrankio gnybtų, nes jie gali būti įkaitę tiek, kad nudegins.
16. Neleiskite, kad į akumulatoriaus kasetės gnybtus, angas ir griovelius patektų drožlių, dulkių ar žemių. Jos gali sukelti kaitimą, užsidegti, sprogti ir sukelti įrankio ar akumulatoriaus kasetės gedimą, dėl ko galima nusideginti ar susižaloti.
17. Jeigu įrankis nėra pritaikytas naudoti šalia aukštos įtampės elektros linijų, akumulatoriaus kasetės nenaudokite šalia aukštos įtampės elektros linijų. Dėl to gali sutrikti įrankio ar akumulatoriaus kasetės veikimas arba jie gali sugesti.
18. Laikykite akumuliatorių vaikams nepasiekiamoje vietoje.

SAUGOKITE ŠIAS INSTRUKCIJAS.

⚠️ PERSPĖJIMAS: Naudokite tik originalų „Makita“ akumuliatorių. Neoriginalaus „Makita“ arba pakeisto akumulatoriaus naudojimas gali nulemti gaisrą, asmens sužeidimą ir pažeidimą. Tai taip pat panaikina „Makita“ suteikiamą „Makita“ įrankio ir įkroviklio garantiją.

Patarimai, ką daryti, kad akumulatoriaus veiktų kuo ilgiau

1. Pakraukite akumulatoriaus kasetę prieš jai visiškai išsikraunant. Visuomet nustokite naudoti įrankį ir pakraukite akumulatoriaus kasetę, kai pastebite, kad įrankio galia sumažėjo.
2. Niekada nekraukite iki galo įkrautos akumulatoriaus kasetės. Perkraunant trumpėja akumulatoriaus eksploatacijos laikas.
3. Akumulatoriaus kasetę kraukite esant kambario temperatūrai 10 - 40 °C. Prieš pradėdami krauti, leiskite įkaitusiai akumulatoriaus kasetei atvėsti.
4. Kai akumulatoriaus kasetės nenaudojate, ją išimkite iš įrankio ar įkroviklio.
5. Įkraukite akumulatoriaus kasetę, jei jos nenaudojate ilgą laiką (ilgiau nei šešis mėnesius).

DALIŲ APRAŠYMAS

► Pav.1

1	Pagrindinio maitinimo lemputė	2	Pagrindinis maitinimo jungiklis	3	Pakaba
4	Atlaisvinimo svirtelė	5	Akumulatoriaus kasetė	6	Gaidukas
7	Galinė rankena	8	Pjūklo grandinė	9	Pjovimo juosta
10	Alyvos bakelio dangtelis	11	Fiksuojamasis žiedas	12	Fiksuojamoji veržlė
13	Grandinės reguliavimo varžtas	14	Pjovimo juostos gaubtas	15	Priekinė rankena

VEIKIMO APRAŠYMAS

▲ PERSPĖJIMAS: Prieš pradėdami reguliuoti arba tikrinti įrankio veikimą, visuomet būtina išjunkite įrankį ir išimkite akumulatoriaus kasetę.

Akumulatoriaus kasetės uždėjimas ir nuėmimas

▲ PERSPĖJIMAS: Prieš įdėdami arba išimdami akumulatoriaus kasetę, visada išjunkite įrankį.

▲ PERSPĖJIMAS: Įdėdami arba išimdami akumulatoriaus kasetę, tvirtai laikykite įrankį ir akumulatoriaus kasetę. Jeigu įrankį ir akumulatoriaus kasetę laikysite netvirtai, jie gali išslysti iš jūsų rankų, todėl įrankis ir akumulatoriaus kasetė gali būti sugadinti, o naudotojas sužalotas.

► **Pav.2:** 1. Raudonas sandariklis (indikatorius)
2. Mygtukas 3. Akumulatoriaus kasetė

Jei norite išimti akumulatoriaus kasetę, ištraukite ją iš įrankio, stumdami mygtuką, esantį kasetės priekyje.

Jei norite įdėti akumulatoriaus kasetę, ant akumulatoriaus kasetės esantį liežuvėlį sutapdinkite su korpuse esančiu grioveliu ir įstumkite jį į skirtą vietą. Įstatykite iki pat galo, kad spragtelėdama užsifiksuotų. Jeigu matote raudoną sandariklį (indikatorių), kaip parodyta paveikslėlyje, ji nėra visiškai užfiksuota.

▲ PERSPĖJIMAS: Akumulatoriaus kasetę visada įkiškite iki galo, kol nebematysite raudono sandariklio (indikatoriaus) Priešingu atveju ji gali atsitiktinai iškristi iš įrankio ir sužeisti jus arba aplinkinius.

▲ PERSPĖJIMAS: Nekiškite akumulatoriaus kasetės jėga. Jeigu kasetė sunkiai lenda, ją kišate netinkamai.

Likusios akumulatoriaus galios rodymas

Paspauskite akumulatoriaus kasetės tikrinimo mygtuką, kad būtų rodoma likusi akumulatoriaus energija. Maždaug trims sekundėms užsidegs indikatorius lemputės.

► **Pav.3:** 1. Indikatorius lemputės 2. Tikrinimo mygtukas

Indikatorių lemputės			Likusi galia
Šviečia	Nešviečia	Blyksi	
			75 - 100 %
			50 - 75 %
			25 - 50 %
			0 - 25 %
			Įkraukite akumulatorių.
			Galimai įvyko akumulatoriaus veikimo triktis.

PASTABA: Rodmuo gali šiek tiek skirtis nuo faktinės energijos lygio – tai priklauso nuo naudojimo sąlygų ir aplinkos temperatūros.

PASTABA: Veikiant akumulatoriaus apsaugos sistemai ims mirksėti pirmoji (toliausiai kairėje) indikatoriaus lemputė.

Įrankio / akumulatoriaus apsaugos sistema

Įrankyje įrengta įrankio / akumulatoriaus apsaugos sistema. Ši sistema automatiškai atjungia variklio maitinimą, kad įrankis ir akumulatorius ilgiau veiktų. Įrankis automatiškai išsijungs darbo metu esant vienai iš toliau nurodytų įrankio arba akumulatoriaus darbo sąlygų:

Apsauga nuo perkrovos

Kai akumulatorius naudojamas taip, kad neįprastai padidėja elektros srovė, įrankis automatiškai išsijungia, o pagrindinė maitinimo lemputė žybcioja žalia spalva. Tokiu atveju atleiskite įrankio gaiduką ir nutraukite darbą, dėl kurio kilo įrankio perkrova. Tada vėl įjunkite įrankį.

Apsauga nuo perkaitimo

Jeigu įrankis arba akumulatorius perkaista, įrankis automatiškai išsijungia, o pagrindinė maitinimo lemputė dega raudona spalva. Tokiu atveju, prieš vėl įjungdami įrankį, leiskite įrankiui ir akumulatoriui atvėsti.

PASTABA: Tikėtina, kad aplinkoje, kurioje labai šilta, suveiks apsauga nuo perkaitimo, todėl įrankis bus išjungtas automatiškai.

Apsauga nuo visiško išėjimo

Jeigu likusios akumulatoriaus galios nepakanka, įrankis automatiškai išsijungia, o pagrindinė maitinimo lemputė žybcioja raudona spalva. Tokiu atveju ištraukite akumuliatorių iš įrankio ir jį įkraukite.

Apsaugos nuo kitų prietaisų

Apsaugos sistema taip pat apsaugo nuo kitų prietaisų, galinčių pažeisti įrankį, todėl automatiškai jį išjungia. Įrankiui laikinai sustojus arba veikimo metu išsijungus, imkitės visų toliau nurodytų veiksmy ir pašalinkite to prietaisus.

1. Išjunkite įrankį, tada vėl įjunkite, kad paleistumėte iš naujo.
2. Įkraukite akumuliatorių (-ius) arba jį (juos) pakeiskite įkrautu (-ais) akumuliatoriumi (-iais).
3. Palaukite, kol įrenginys ir akumuliatorius (-iai) atvės.

Jeį, atkūros apsaugos sistema, veikimas nupagerėja, kreipkitės į vietos „Makita“ priežiūros centrą.

Pagrindinis maitinimo jungiklis

⚠️PSPĖJIMAS: Kai nenaudojate, visada išjunkite pagrindinį maitinimo jungiklį.

Norėdami įjungti įrankį, paspauskite pagrindinį maitinimo jungiklį. Norėdami išjungti, dar kartą paspauskite pagrindinį maitinimo jungiklį.

- **Pav.4:** 1. Pagrindinė maitinimo lemputė
2. Pagrindinis maitinimo jungiklis

PASTABA: Pagrindinė maitinimo lemputė mirksi žaliai, kai įjungiate pagrindinį maitinimo jungiklį, laikydami nuspauastą atlaisvinimo svirtį ir traukdami gaiduką. Šiuo atveju atleiskite gaiduką ir atlaisvinimo svirtį ir tada įjunkite pagrindinį maitinimo jungiklį.

PASTABA: Šis įrankis turi automatinio išjungimo funkciją. Siekiant išvengti atsitiktinio paleidimo, pagrindinis maitinimo jungiklis automatiškai išsijungia, kai gaidukas nėra patraukiamas tam tikrą laiko tarpą po to, kai įjungiamas pagrindinis maitinimo jungiklis.

Jungiklio veikimas

⚠️PSPĖJIMAS: Jūsų pačių saugumui šiame įrankyje įrengta atlaisvinimo svirtelė, kuri neleidžia netyčia įjungti įrankio. **NIEKADA nenaudokite veikiančio įrankio, jeigu nuspaudėte tik gaiduką, nenuspaudę atlaisvinimo svirtelės. PRIEŠ pradėdami vėl naudoti įrankį, atiduokite jį tinkamai suremontuoti į įgaliotąjį techninės priežiūros centrą.**

⚠️PSPĖJIMAS: **NIEKADA** neužklijuokite lipnia juoste ir nepanaikinkite atlaisvinimo svirtelės paskirties bei funkcijos.

⚠️PSPĖJIMAS: Prieš montuodami akumulatoriaus kasetę įrankyje, visuomet patikrinkite, ar gaidukas tinkamai veikia ir atleistas grįžta į išjungimo padėtį „OFF“.

PASTABA: Negalima stipriai spausti gaiduko, nenuspaudus atlaisvinimo svirtelės. Taip galima sugadinti jungiklį.

Yra įrengta atlaisvinimo svirtis, kad gaidukas nebūtų atsitiktinai nuspauastas. Jei norite įjungti įrankį, paspauskite atlaisvinimo svirtį ir patraukite gaiduką. Įrankio greitis didėja stipriau spaudžiant svirtinį jungiklį. Atleiskite gaiduką, jeigu norite sustabdyti įrankį.

- **Pav.5:** 1. Gaidukas 2. Atlaisvinimo svirtelė

Vamzdžio ilgio reguliavimas

Norėdami ištraukti ar sutrumpinti vamzdį, atlaisvinkite fiksuojamąjį žiedą, jį pasukdami prieš laikrodžio rodyklę, tada nustatykite vamzdžio ilgį ir priveržkite žiedą, sukdamai fiksuojamąjį žiedą pagal laikrodžio rodyklę.

- **Pav.6:** 1. Fiksuojamasis žiedas 2. Vamzdis

SURINKIMAS

⚠️PSPĖJIMAS: Prieš darydami ką nors įrankiui visada patikrinkite, ar įrenginys išjungtas, o akumuliatorių kasetė – nuimta.

⚠️PSPĖJIMAS: Nelieskite grandininio pjūkllo plikomis rankomis. lmdami grandininį pjūkllo, visuomet mūvėkite pirštines.

Įrankio surinkimas

1. Nuimkite nuo vamzdžio 2 dangtelius, o nuo įrankio galvutės 1 dangtelį.

- **Pav.7:** 1. Dangtelis 2. Vamzdis 3. Įrankio galvutė

2. Atlaisvinkite 3 varžtus ir tada šešiakampi veržliarakčiu išsukite 1 varžtą.

- **Pav.8:** 1. Varžtas

3. Įkiškite vamzdį iki galo į įrankio korpusą ir tada sulygiuokite ant vamzdžio esančią skylę su skylė ant įrankio korpuso.

- **Pav.9:** 1. Skylė 2. Vamzdis

4. Šešiakampi veržliarakčiu priveržkite 3 varžtus.

- **Pav.10:** 1. Varžtas

5. Atlaisvinkite 2 varžtus ir tada išsukite 1 varžtą.

- **Pav.11:** 1. Varžtas

6. Atlaisvinkite fiksuojamąjį žiedą, jį sukdamai prieš laikrodžio rodyklę, ir ištraukite vamzdį maždaug 10 cm arba daugiau, tada vėl priveržkite fiksuojamąjį žiedą, sukdamai pagal laikrodžio rodyklę.

- **Pav.12:** 1. Fiksuojamasis žiedas 2. 10 cm ar daugiau 3. Vamzdis

7. Įkiškite vamzdį iki galo į įrankio galvutę ir tada sulygiuokite ant vamzdžio esančią skylę su skylė ant įrankio galvutės.

- **Pav.13:** 1. Skylė 2. Vamzdis

8. Šešiakampi veržliarakčiu priveržkite 2 varžtus.

- **Pav.14:** 1. Varžtas

Pjūklo grandinės montavimas arba nuėmimas

⚠ PERSPĖJIMAS: Po naudojimo pjūklo grandinė ir pjovimo juosta vis dar būna įkaitusios. Prieš atlikdami bet kokius įrankio remonto ar tikrinimo darbus, palaukite, kol jie atvės.

⚠ PERSPĖJIMAS: Pjūklo grandinės montavimo arba nuėmimo procedūrą reikia atlikti švarioje vietoje, kur nėra pjuvenų ir panašių.

Pjūklo grandinės montavimas

Norėdami sumontuoti pjūklo grandinę, atlikite šiuos veiksmus:

1. Atlaisvinkite grandinės reguliavimo varžtą, tada – fiksuojamąjį veržlę.
▶ **Pav.15:** 1. Fiksuojamoji veržlė 2. Grandinės reguliavimo varžtas 3. Žvaigždutės gaubtas
 2. Nuimkite žvaigždutės gaubtą.
 3. Patikrinkite pjūklo grandinės kryptį. Sutapdinkite pjūklo grandinės kryptį su ant įrankio korpuso esančia žyma.
▶ **Pav.16:** 1. Žyma ant grandininio pjūklo korpuso
 4. Įtaisykite vieną pjūklo grandinės galą ant krepimo juostos viršaus. Uždėkite kitą pjūklo grandinės galą ant žvaigždutės. Patikrinkite, ar pjūklo grandinė tinkamai uždėta ant žvaigždutės ir krepimo juostos griovelyje.
 5. Pritvirtinkite krepimo juostą prie įrankio korpuso, sulygiuodami krepimo juostos angą su įrankio korpuso kaiščiu.
▶ **Pav.17:** 1. Anga 2. Žvaigždutė
 6. Įkiškite ant žvaigždutės gaubto esančią iškyšą į įrankio korpusą ir tada uždarykite gaubtą taip, kad ant įrankio korpuso esantis varžtas ir kaištis atitiktų ant gaubto esančias dalis.
▶ **Pav.18:** 1. Žvaigždutės gaubtas 2. Iškyša 3. Varžtas 4. Kaištis
 7. Priveržkite fiksuojamąjį veržlę ir užfiksuokite žvaigždutės dangtelį, tada ją šiek tiek atlaisvinkite įtempimui sureguliuoti.
▶ **Pav.19:** 1. Fiksuojamoji veržlė
- Sumontavę pjūklo grandinę, sureguliuokite jos įtempį, vadovaudamiesi pjūklo grandinės įtempio reguliavimo skirsniu.

Pjūklo grandinės nuėmimas

Norėdami nuimti pjūklo grandinę, atlikite šiuos veiksmus:

1. Atlaisvinkite grandinės reguliavimo varžtą, tada – fiksuojamąjį veržlę.
▶ **Pav.20:** 1. Fiksuojamoji veržlė 2. Grandinės reguliavimo varžtas
2. Nuimkite žvaigždutės gaubtą, tada išimkite pjūklo grandinę ir krepimo juostą iš įrankio korpuso.

Pjūklo grandinės įtempimo reguliavimas

⚠ PERSPĖJIMAS: Neperveržkite pjūklo grandinės per daug. Dėl per didelio pjūklo grandinės įtempimo, ji gali nutrūkti ir gali nusidėvėti krepiamojo juosta.

⚠ PERSPĖJIMAS: Per daug atlaisvinta grandinė gali nukristi nuo juostos, todėl kelia sužalojimo pavojų.

Pjūklo grandinė atsilaisvina tik po daugelio darbo valandų. Prieš naudojimą retkarčiais patikrinkite pjūklo grandinės įtempimą.

1. Šiek tiek atlaisvinkite fiksuojamąjį veržlę, tada šiek tiek atlaisvinkite žvaigždutės dangtelį.
▶ **Pav.21:** 1. Fiksuojamoji veržlė
2. Šiek tiek pakelkite krepimo juostos galiuką ir sureguliuokite grandinės įtempimą. Sukite grandinės reguliavimo varžtą prieš laikrodžio rodyklę, kad ją priveržtumėte, ir pagal laikrodžio rodyklę, kad ją atlaisvintumėte. Veržkite pjūklo grandinę tol, kol apatinė pjūklo grandinės pusė įsitaisys krepimo juostos griovelyje, kaip parodyta.
▶ **Pav.22:** 1. Pjovimo juosta 2. Pjūklo grandinė 3. Grandinės reguliavimo varžtas
3. Šiek tiek prilaukykite krepimo juostą ir uždėkite žvaigždutės gaubtą.
Įsitinkinkite, kad pjūklo grandinė nėra atsilaisvinusi apatinėje dalyje.
4. Veržkite fiksuojamąjį veržlę, kad užtvirtintumėte žvaigždutės dangtelį.
▶ **Pav.23:** 1. Fiksuojamoji veržlė

NAUDOJIMAS

Tepimas

PASTABA: Pirmą kartą pripylus grandinės alyvos arba pakartotinai pripildant ištuštintą alyvos bakelį, pripilkite alyvos iki pildymo angos apatinio krašto. Kitaip bus blogiau tiekama alyva.

PASTABA: Naudokite tik „Makita“ grandininiam pjūklams skirtą arba tapačią alyvą, kurią galite įsigyti savo šalyje.

PASTABA: Niekada nenaudokite alyvos, kurioje yra dulkių ir dalelių, arba lakios alyvos.

PASTABA: Genėdami medžius, naudokite botaninį aliejų. Mineralinė alyva gali pažeisti medžius.

PASTABA: Prieš išpjaudami, įsitinkinkite, kad alyvos bakelio dangtelis yra prisuktas.

Tuo metu, kai įrankis įjungtas, pjūklo grandinė tepama automatiškai. Reguliariai tikrinkite likusį alyvos kiekį alyvos bakelyje.

- ▶ **Pav.24:** 1. Alyvos bakelis

Norėdami papildyti bakelį, padėkite įrankį ant lygaus paviršiaus, tada paspauskite ant alyvos bakelio dangtelio esantį mygtuką taip, kad kitoje pusėje esantis mygtukas iššoktų, o tada nuimkite alyvos bakelio dangtelį jį pasukdami.

Tinkamas alyvos kiekis yra 160 ml. Pripildę bakelį, įsitinkinkite, kad alyvos bakelio dangtelis yra gerai užsuktas.

- **Pav.25:** 1. Alyvos bakelio dangtelis 2. Priveržti 3. Atlaisvinti

PASTABA: Jeigu sunku nuimti alyvos bakelio dangtelį, įkiškite į alyvos bakelio dangtelio lizdą veržliaraktį ir nuimkite alyvos bakelio dangtelį jį pasukdami prieš laikrodžio rodyklę.

- **Pav.26:** 1. Lizdas 2. Veržliaraktis

Papildę laikykite įrankį toliau nuo medžio. Įjunkite jį ir palaukite, kol bus tinkamas pjūklo grandinės tepimas.

- **Pav.27**

Perpetinio diržo tvirtinimas

▲ PERSPĖJIMAS: Kai įrankį naudojate kartu su ant nugaros nešiojamu maitinimo šaltiniu, pavyzdžiui, nešiojamuoju maitinimo šaltiniu, nenaudokite perpetės diržų iš įrankio pakuotės – naudokite „Makita“ rekomenduojamą kabančiąją juostą.

Jeigu tu pačiu metu užsidėsite perpetės diržus iš įrankio pakuotės ir ant nugaros nešiojamu maitinimo šaltiniu perpetės diržus, kritiniu atveju bus sunku nuimti įrankį arba ant nugaros nešiojamą maitinimo šaltinį ir gali įvykti nelaimingas atsitikimas arba galima susižaloti. Dėl rekomenduojamos kabančiosios juostos teiraukitės „Makita“ įgaliotųjų techninės priežiūros centrų.

▲ PERSPĖJIMAS: Visada naudokite prie įrankio pritvirtintą perpetinį diržą. Prieš darbą sureguliuokite perpetinį diržą pagal naudotoją, tai padės išvengti nuovargio.

▲ PERSPĖJIMAS: Prieš darbą įsitinkinkite, kad perpetinis diržas tinkamai pritvirtintas prie įrankio pakabos.

▲ PERSPĖJIMAS: Prieš dirbdami, įsitinkinkite, kad perpetinio diržo sagtis tvirtai užsegta.

▲ PERSPĖJIMAS: Visada naudokite šiam įrankiui skirtą perpetinį diržą. Nenaudokite kitų perpetinių diržų.

1. Užsidėkite perpetinį diržą ir užsekite sagtį.

- **Pav.28:** 1. Sagtis

PASTABA: Kai norite nuimti perpetinį diržą, atsekite sagtį ir nuimkite perpetinį diržą.

2. Sureguliuokite perpetinį diržą į patogią darbinę padėtį.

- **Pav.29**

3. Prikabinkite kabliuką ant perpetinio diržo prie įrankio pakabos.

- **Pav.30:** 1. Kabliukas 2. Pakaba

Perpetinį diržą galima greitai atsegti. Tiesiog suspauskite sagties šonus, kad atlaisvintumėte perpetinį diržą.

- **Pav.31:** 1. Sagtis

Darbas su įrankiu

▲ PERSPĖJIMAS: Varikliui veikiant, grandininį pjūklą laikykite atokiau nuo kūno dalių.

▲ PERSPĖJIMAS: Kai veikia variklis, tvirtai laikykite įrankį abiem rankomis.

▲ PERSPĖJIMAS: Nepersitempkite. Visuomet tvirtai stovėkite ant žemės, išlaikykite pusiausvyrą.

▲ PERSPĖJIMAS: Kai pjaunate per šakas, būkite atsargūs, kad neprarastumėte pusiausvyros dėl įrankio galvutės svorio.

▲ PERSPĖJIMAS: Visada turėkite pasitraukimo kelią, jeigu nupjauta šaka kristų operatoriaus link.

▲ PERSPĖJIMAS: Niekada nenaudokite kreipimo juostos galiuko pjovimui. Kitaip gali atsirasti pavojinga atatranka ir galima susižaloti.

PASTABA: Niekada nenusveskite ar nenumeskite įrankio.

PASTABA: Neuždenkite įrankio ventilacijos angų.

PASTABA: Nespaukite įrankio jėga, nes galite jį sugadinti.

Stovėkite ant stabiliaus paviršiaus ir laikykite įrankį toliau nuo šakų, kad įrankio kampas būtų 60° arba mažesnis horizontalaus paviršiaus atžvilgiu.

- **Pav.32:** 1. 60° arba mažesnis

Įjunkite įrankį ir tada šiek tiek prispauskite pjūklo grandinę prie šakos.

Kai pjaunate ilgas šakas, norėdami kontroliuoti nupjautų šakų kritimo padėtį, padalykite šaką dalimis ir pjaukite šaką nuo galo. Atkreipkite dėmesį į krentančias šakas, nes jos gali atšokti nuo žemės operatoriaus kryptimi.

- **Pav.33**

Pjaudami storas šakas, pirmiausia įpjaukite jas iš apačios, tada baikite pjauti iš viršaus.

- **Pav.34**

Jeigu bandysite nupjauti storas šakas iš apačios, šaka gali susispausti ir sužnybti pjūklo grandinę pjūvyje.

Jeigu bandysite nupjauti storas šakas iš viršaus, neatlikę nedidelio įpjovimo iš apačios, šaka gali atsikilti.

- **Pav.35**

Įrankio nešimas

Prieš nešdami įrankį, būtinai iš jo išimkite akumulatorių, tada sumontuokite kreipimo juostos gaubtą ir sutrumpinkite vamzdį. Taip pat uždenkite akumulatorių dangtelius.

- **Pav.36:** 1. Pjovimo juostos gaubtas
2. Akumulatoriaus dėklas

Įrankio naudojimas su nešiojamuoju maitinimo šaltiniu

Pasirenkamasis priedas

Naudodami įrankį su nešiojamuoju maitinimo šaltiniu, naudokite ir kabančiąją juostą.

Kabančiosios juostos tvirtinimas

1. Kabančiosios juostos kabliukus pritvirtinkite prie perptinio diržo ar liemens diržo žiedų, kaip parodyta paveikslėlyje. Pasirinkite juostos tipą ir tinkamą naudoti prijungimo metodą.
▶ **Pav.37:** 1. Žiedas 2. Kabliukas
▶ **Pav.38:** 1. Žiedas 2. Kabliukas
2. Pritvirtinkite kabliuką prie įrankio.
▶ **Pav.39:** 1. Kabliukas

Įrankio nuėmimas

Kai norite nuimti įrankį, viena ranka atsekite kabančiosios juostos sagtį, o kita ranka prilaikykite įrankį.

- ▶ **Pav.40:** 1. Sagtis

PASTABA: Sagties gali nebūti priklausomai nuo juostos tipo.

Jeigu reikia greitai atlaisvinti įrankį, atlikite toliau nurodytus veiksmus.

1. Pastumkite ant liemens diržo sagties esančias svirtes, kad atsegtumėte sagtį.
▶ **Pav.41:** 1. Sagtis 2. Svirtelė
2. Nuimkite perptinį diržą, kad atlaisvintumėte įrankį ir įtaisą.
▶ **Pav.42:** 1. Perptinis diržas

TECHNINĖ PRIEŽIŪRA

▲PERSPĖJIMAS: Visuomet įsitikinkite, ar įrankis yra išjungtas ir akumulatoriaus kasetė yra nuimta prieš atlikdami apžiūrą ir priežiūrą.

▲PERSPĖJIMAS: Atlikdami bet kokį patikrinimą arba techninės priežiūros darbus, visada mūvėkite pirštines.

PASTABA: Niekada nenaudokite gazolino, benzino, tirpiklio, spirito arba panašių medžiagų. Gali atsirasti išblukimų, deformacijų arba įtrūkimų.

Kad gaminyt būtų SAUGUS ir PATIKIMAS, jį taisyti, apžiūrėti ar vykdyti bet kokią kitą priežiūrą ar derinimą turi įgaliotasis kompanijos „Makita“ techninės priežiūros centras; reikia naudoti tik kompanijos „Makita“ pagamintas atsargines dalis.

Pjūklo grandinės galandimas

Pjūklo grandinę galaškite, kai:

- pjaunant drėgną medieną, krenta miltų pavidalo pjuvenos;
- grandinė sunkiai skverbiasi į medieną, net ir stipriai spaudžiant;
- pjovimo kraštas yra aiškiai apgadintas;
- pjaunant medieną, pjūklas slenka kairėn arba dešinėn. (taip nutinka dėl nelygaus pjūklo grandinės išgalandimo arba tik vienos pusės apgadavimo)

Dažnai galaškite pjūklo grandinę, tačiau kiekvieną kartą nugalaskite tik šiek tiek. Dažnai galandant, paprastai pakanka dviejų ar trijų dildės brūkštelėjimų. Keletą kartų pagalandus pjūklo grandinę, ją reikėtų atiduoti į mūsų įgaliotąjį techninės priežiūros centrą, kad ją dar kartą pagalaštų.

Galandimo kriterijai:

▲ISPĖJIMAS: Dėl pernelyg didelio atstumo tarp pjovimo krašto ir gylio ribotuvo padidėja atatranks pavojus.

- ▶ **Pav.43:** 1. Pjovimo dantukų ilgis 2. Atstumas tarp pjovimo krašto ir gylio ribotuvo 3. Mažiausias pjaustytuvo ilgis (3 mm)
- Visų pjovimo dantukų ilgis privalo būti vienodas. Nevienodo ilgio pjovimo dantukai neleidžia pjūklo grandinei tolygiai sukstis, todėl grandinė gali nutrūkti.
 - Negaląskite grandinės, kai pjaustytuvo ilgis tapo 3 mm ar mažiau. Grandinę reikia pakeisti nauja.
 - Narelio storis nustatomas pagal atstumą tarp gylio ribotuvo (apvali noselė) ir pjovimo dantuko krašto.
 - Geriausių pjovimo rezultatų pasiekama, kai atstumas tarp pjovimo dantuko krašto ir gylio ribotuvo yra toks, kaip nurodyta toliau.
 - Grandininio pjūklo ašmenys 90PX: 0,65 mm
 - Grandininio pjūklo ašmenys 91PX: 0,65 mm
- ▶ **Pav.44**
- Visi pjovimo dantukai turi būti vienodai pagalšti 30° kampu. Pjovimo dantukus pagalandus skirtingu kampu, kampo grandinė suksis nelygiai ir nelygiai, ji greičiau susidėvės arba net nutrūks.
 - Naudokite tinkamą apvalią dildę, kad dantys būtų pagalšti tinkamu kampu.
 - Grandininio pjūklo ašmenys 90PX: 55°
 - Grandininio pjūklo ašmenys 91PX: 55°

Dildė ir dildės valdymas

- Grandininio pjūklo grandinės galandimui naudokite specialią apvalią dildę (papildomas priedas). Įprastos apvalios dildės netinka.
 - Toliau nurodyti kiekvienai pjūklo grandinei tinkamų apvalių dildžių skersmenys:
 - Grandininio pjūklo ašmenys 90PX: 4,5 mm
 - Grandininio pjūklo ašmenys 91PX: 4,0 mm
 - Dildė turi liesti pjovimo dantuką, tik braukiant ją į priekį. Atbulinio judesio metu atkelkite dildę nuo pjovimo dantuko.
 - Pirmiausia pagaląskite trumpiausią pjovimo dantį. Šio trumpiausio pjovimo dantuko ilgis tampa šablonu, galandant visus kitus pjūklo grandinės pjovimo dantukus.
 - Nukreipkite dildę taip, kaip parodyta piešinyje.
- ▶ **Pav.45:** 1. Dildė 2. Pjūklo grandinė
- Dildę lengviau nukreipti, naudojant dildės laikiklį (papildomas priedas). Ant dildės laikiklio pažymėtas teisingas 30° galandimo kampas (sulygiuokite žymes lygiagrečiai su pjūklo grandine) ir prasi-skverbimo gylio ribos (4/5 dildės skersmens).
- ▶ **Pav.46:** 1. Dildės laikiklis
- Pagalandę grandinę, patikrinkite gylio ribotuvo aukštį, naudodami grandinės matavimo įrankį (papildomas priedas).
- ▶ **Pav.47**
- Specialia plokščia dilde (papildomas priedas) nudildykite bet kokias išsikišusias dalis, kad ir kokios mažos jos būtų.
 - Vėl užapvalinkite gylio ribotuvo priekines dalis.

Pjovimo juostos valymas

Atplaišos ir pjūvenos kaupsis pjovimo juostos griovelyje. Jos gali užkimšti juostos griovelį ir trukdyti tekėti alyvai. Kaskart galąsdami arba keisdami pjūklo grandinę, išvalykite šias atplaišas ir pjūvenas.

► **Pav.48**

Žvaigždutės gaubto valymas

Atplaišos ir pjūvenos kaupsis žvaigždutės gaubte. Nuimkite žvaigždutės gaubtą ir grandinę nuo įrankio, tada išvalykite atplaišas ir pjūvenas.

► **Pav.49**

Alyvos tiekimo angos valymas

Darbo metu alyvos tiekimo angoje gali susikaupti smulkių dalelių arba dulkių. Šios dulkės arba dalelės gali sutrikdyti paduodamos alyvos tekėjimą, todėl gali sutrikti visos pjūklo grandinės tepimas. Kai pjovimo juostos galas prastai tepamas grandinės tepimo alyva, išvalykite alyvos tiekimo angą tokiu būdu:

1. Nuimkite nuo įrankio žvaigždutės dangtelį ir pjūklo grandinę.

2. Pašalinkite smulkias daleles arba dulkes, naudodami ploną atsuktuvą arba panašų įrankį.

► **Pav.50:** 1. Atsuktuvus su grioveliais 2. Alyvos išleidimo anga

3. Įkiškite akumulatoriaus kasetę į įrankį. Patraukite svirtinį gaiduką, kad tekanti grandinės tepimo alyva pašalintų alyvos išleidimo angoje susikaupusias dulkes arba kietas daleles.

4. Ištraukite iš įrankio akumulatoriaus kasetę. Uždėkite ant įrankio žvaigždutės dangtelį ir pjūklo grandinę.

Pakeiskite žvaigždutę nauja

⚠ PERSPĖJIMAS: Susidėvėjusi žvaigždutė sugadins naują pjūklo grandinę. Tokiu atveju žvaigždutę reikia pakeisti nauja.

Prieš uždėdami naują pjūklo grandinę, patikrinkite žvaigždutės būklę. Jeigu žvaigždutė nusidėvėjusi ar pažeista, paprašykite „Makita“ įgaliotųjų techninės priežiūros centrų ją pakeisti.

► **Pav.51:** 1. Žvaigždutė 2. Nusidėvintos sritys

Įrankio saugojimas

1. Nuvalykite įrankį, prieš sandėliuodami. Nuėmę žvaigždutės gaubtą, nuvalykite nuo įrankio visas atplaišas ir pjūvenas.

2. Nuvalę įrankį, leiskite jam padirbti be apkrovos, kad būtų sutepta pjūklo grandinė ir pjovimo juosta.

3. Uždenkite kreipimo juosta kreipimo juostos gaubtą ir tada sutrumpinkite vamzdį.

4. Ištuštinkite alyvos talpyklą.

Nurodymai dėl periodinės techninės priežiūros

Norint užtikrinti ilgą naudojimo trukmę, tinkamą saugos funkcijų veikimą ir apsaugoti nuo sugadinimų, reikia reguliariai atlikti šiuos techninės priežiūros darbus. Garantiniai reikalavimai galės būti pripažinti tik tuomet, jei reguliariai ir tinkamai bus atliekami šie darbai. Jeigu nurodyti techninės priežiūros darbai nebus atliekami, gali įvykti nelaimingi atsitikimai! Įrankio naudotojas negali atlikti techninės priežiūros darbų, kurie nėra aprašyti instrukcijų vadove. Visus šiuos darbus turi atlikti mūsų įgaliotasis techninės priežiūros centras.

Tikrintinas elementas / veikimo laikas	Prieš darbą	Kasdien	Kas savaitę	Kas 3 mėnesius	Kasmet	Prieš dedant laikyti
Visas įrankis	Patikrinimas.	✓	-	-	-	-
	Valymas.	-	✓	-	-	-
	Kreipkitės į įgaliotąjį techninės priežiūros centrą.	-	-	-	✓	✓
Pjūklo grandinė	Patikrinimas.	✓	-	-	-	-
	Jei reikia, galandimas.	-	-	-	-	✓
Pjovimo juosta	Patikrinimas.	✓	✓	-	-	-
	Nuimkite nuo įrankio.	-	-	-	-	✓
Grandinės tepimas	Patikrinkite alyvos tiekimo greitį.	✓	-	-	-	-
Gaidukas	Patikrinimas.	✓	-	-	-	-
Atlaisvinimo svirtelė	Patikrinimas.	✓	-	-	-	-
Alyvos bakelio dangtelis	Patikrinkite užveržimą.	✓	-	-	-	-
Sraigai ir veržlės	Patikrinimas.	-	-	✓	-	-

GEDIMŲ ŠALINIMAS

Prieš kreipdamiesi dėl remonto darbų, pirmiausia patikrinkite gedimus patys. Kilus problemų, apie kurias nepaaiškinta vartotojo vadove, nemėginkite ardyti įrankio. Kreipkitės į įgaliotuosius „Makita“ techninės priežiūros centrus, kuriuose remontui visuomet naudojamos originalios „Makita“ keičiamosios dalys.

Trikties būseną	Priežastis	Veiksmas
Įrankis neįsijungia.	Neįdėta akumuliatoriaus kasetė.	Įdėkite įkrautą akumuliatoriaus kasetę.
	Akumuliatoriaus problema (maža įtampa).	Įkraukite akumuliatorių. Jei įkrauti nepavyksta, akumuliatorių pakeiskite.
	Išjungtas pagrindinis maitinimo jungiklis.	Įrankis automatiškai išsijungia, jeigu jis tam tikrą laikotarpį nenaudojamas. Vėl įjunkite pagrindinį maitinimo jungiklį.
Po trumpo naudojimo laikotarpio variklis nustoja veikti.	Mažas akumuliatoriaus įkrovos lygis.	Įkraukite akumuliatorių. Jei įkrauti nepavyksta, akumuliatorių pakeiskite.
Ant grandinės nėra alyvos.	Tuščias alyvos bakelis.	Pripildykite alyvos bakelį.
	Nešvarus alyvos nukreipimo griovelis.	Išvalykite griovelį.
Įrankis nepasiekia didžiausių apsisukimų per minutę.	Akumuliatoriaus kasetė netinkamai įdėta.	Akumuliatorių įdėkite, kaip aprašyta šiame vadove.
	Mažėja akumuliatoriaus galia.	Pakartotinai įkraukite akumuliatoriaus kasetę. Jei įkrauti nepavyksta, akumuliatoriaus kasetę pakeiskite.
	Netinkamai veikia pavaros sistema.	Dėl remonto darbų kreipkitės į regiono įgaliotąjį techninės priežiūros centrą.
Pagrindinė maitinimo lemputė žybsi žalia spalva.	Gaidukas paspaudžiamas neveikimo sąlygomis.	Paspauskite gaiduką, įjungę pagrindinį maitinimo jungiklį.
Neįprasta vibracija: nedelsdami išjunkite įrankį!	Atsilaisvinusi pjovimo juosta arba pjūklo grandinė.	Pareguliuokite pjovimo juostos arba pjūklo grandinės įtempimą.
	Įrankio triktis.	Dėl remonto darbų kreipkitės į regiono įgaliotąjį techninės priežiūros centrą.
Negalima uždėti pjūklo grandinės.	Netinkamas pjūklo grandinės ir žvaigždutės derinys.	Naudokite tinkamą pjūklo grandinės ir žvaigždutės derinį, peržiūrėję skyrelyje technines sąlygas.

PASIRENKAMI PRIEDAI

⚠ PERSPĖJIMAS: Šiuos papildomus priedus arba įtaisus rekomenduojama naudoti su šioje instrukcijoje nurodytu „Makita“ bendrovės įrankiu. Naudojant bet kokius kitus papildomus priedus arba įtaisus, gali kilti pavojus sužeisti žmones. Naudokite tik nurodytam tikslui skirtus papildomus priedus arba įtaisus.

Jeigu norite daugiau sužinoti apie tuos priedus, kreipkitės į artimiausią „Makita“ techninės priežiūros centrą.

- Pjūklo grandinė
- Pjovimo juosta
- Pjovimo juostos gaubtas
- Dildė
- Originalus „Makita“ akumuliatorius ir įkroviklis

⚠ ĮSPĖJIMAS: Jeigu įsigysite skirtingo ilgio kreipimo juostą nei standartinė kreipimo juosta, taip pat kartu įsigykite tinkamą kreipimo juostos gaubtą. Jis turi tikti ir visiškai uždengti įrankio kreipimo juostą.

PASTABA: Kai kurie sąrašė esantys priedai gali būti pateikti įrankio pakuotėje kaip standartiniai priedai. Jie įvairiose šalyse gali skirtis.

TEHNILISED ANDMED

Mudel:		UA004G
Üldpikkus (ilma juhtlati ja akuta)		2 516–3 748 mm
Nimipinge		Alalisvool 36 V – 40 V max
Netokaal	*1	7,8 kg
	*2	7,8–9,1 kg
Standardse juhtlati pikkus		300 mm
Soovitatud juhtlati pikkus	koos 90PX	250 – 300 mm
	koos 91PX	250 – 300 mm
Sobiv saeketi tüüp (vt alljärgnevat tabelit)		90PX 91PX
Standardne ketiratas	Hammaste arv	6
	Samm	3/8"
Keti kiirus		0 – 20 m/s (0 – 1 200 m/min)
Ketiõli mahuti maht		160 cm ³
Kaitseaste		IPX4

- Meie pideva uuringu- ja arendusprogrammi tõttu võidakse tehnilisi andmeid muuta ilma sellest ette teatamata.
- Tehnilised andmed võivad riigiti erineda.

*1: Kaal koos suurima akukasetti ja tühja õlipaagiga ning ilma juhtlati, keti ja kandevööta, standardi EN ISO11680-1 kohaselt.

*2: Kergeima ja raskeima kaalu kombinatsioon EPTA-protseduuri 01/2014 kohaselt. Kaal võib erineda olenevalt lisaseadistest, kaasa arvatud akukasettist.

Sobiv akukasett ja laadija

Akukasett	BL4020 / BL4025 / BL4040* / BL4050F* / BL4080F* *: Soovituslik aku
Laadija	DC40RA / DC40RB / DC40RC

- Mõned eespool loetletud akukasettid ja -laadijad ei pruugi olla teie riigis saadaval.

⚠ HOIATUS: Kasutage ainult ülalpool loetletud akukasette ja laadureid. Muude akukasettide ja laadurite kasutamine võib tekitada vigastusi ja/või tulekahju.

Soovitatud juhtmega ühendatav toiteallikas

Portatiivne akukomplekt	PDC01 / PDC1200
-------------------------	-----------------

- Eespool loetletud juhtmega ühendatavad toiteallikad ei pruugi olla teie riigis saadaval.
- Enne juhtmega ühendatava toiteallika kasutamist lugege neil olevaid juhiseid ja ettevaatusabinõusid.

Saeketi, juhtlati ja ketiratta kombinatsioon

Saeketi tüüp		90PX
Veolülide arv		46
Juhtlatt	Juhtlati pikkus	300 mm
	Lõikepikkus	296 mm
	Samm	3/8"
	Möödik	1,1 mm
	Tüüp	Ketiratta otsa latt
Ketiratas	Hammaste arv	6
	Samm	3/8"

Saeketi tüüp		91PX
Veolülide arv		46
Juhtlatt	Juhtlatti pikkus	300 mm
	Lõikepikkus	296 mm
	Samm	3/8"
	Möödik	1,3 mm
	Tüüp	Ketiratta otsa latt
Ketiratas	Hammaste arv	6
	Samm	3/8"

⚠ HOIATUS: Kasutage juhtlatti ja saeketi sobivat kombinatsiooni. Muidu võib tulemuseks olla kehavigastus.

Sümbolid

Alljärgnevalt kirjeldatakse tingimärke, mida võidakse seadmetel kasutada. Enne seadme kasutamist tehke endale selgeks nende tähendus.

	Lugege juhendit.
	Kandke kiivrit, kaitseprille ja kõrvakaitsmeid.
	Kandke kaitsekindaid.
	Kandke tugevaid liibesiskindla tallaga jalatseid. Soovitatavalt kandke terasest ninakapiga kaitsejalatseid.
	Ettevaatus elektriliinidega, elektrilöögioht
	Hoidke vähemalt 15 m vahekaugust
	Suurim lubatud lõikepikkus
	Keti liikumise suund
	Ketiõli paak
	Kuumad pinnad – sõrmede või käte põletused.
	Ainult EL-i riikide puhul Seadmes sisalduvate ohtlike osade tõttu võivad elektri- ja elektroonikaseadmete jäätmel, akud ja patareid avaldada negatiivset mõju keskkonnale ja inimeste tervisele. Elektri- ja elektroonikaseadmeid ega akusid ei tohi kõrvaldada koos olmejäätmetega! Euroopa elektri- ja elektroonikaseadmete jäätmel, akude ja patareide ning nende jäätmel direktiivi ja riikliku õigusesse ülevõtmise kohaselt tuleb elektri- ja elektroonikaseadmete, akude ja patareide jäätmel koguda eraldi ning viia eraldiseisvasse olmejäätmete kogumispunkti, mis tegutseb kooskõlas keskkonnakaitse eeskirjadega. Sellele osutab seadmele paigaldatud läbikriipsutatud ratastega prügikasti sümbol.



Garanteeritud helivõimsustase ELi välis-tingimustes kasutatavate seadmete müra direktiivi kohase.



Helivõimsustase Austraalia NSW mürakontrolli määruse kohaselt

Kavandatud kasutus

Tööriist on mõeldud okste pügamiseks.

Müra

Tüüpiline A-korrigeeritud müratase, määratud standardi ISO22868(ISO11680-1) kohaselt:
Helirõhutase (L_{pA}): 90 dB (A)
Helivõimsuse tase (L_{WA}): 105 dB (A)
Määramatus (K): 3 dB (A)

MÄRKUS: Deklareeritud müra väärtust (väärtuseid) on mõõdetud kooskõlas standardse katsemeetodiga ning seda võib kasutada ühe seadme võrdlemiseks teisega.

MÄRKUS: Deklareeritud müra väärtust (väärtuseid) võib kasutada ka mürataseme esmaseks hindamiseks.

⚠ HOIATUS: Kasutage kõrvakaitsmeid.

⚠ HOIATUS: Müratase võib elektritööriista tegelikkuses kasutamise ajal erineda deklareeritud väärtust(t)est olenevalt tööriista kasutusviisidest ja eriti töödeldavast toorikust.

⚠ HOIATUS: Rakendage operaatori kaitseks kindlasti piisavaid ohutusabinõusid, mis põhinevad hinnangulisel müratasemel tegelikus tööolukorras (võttes arvesse tööperioodi kõiki osasid, näiteks korrad, kui seade lülitatakse välja ja seade töötab tühikäigul, lisaks tööajale).

Vibratsioon

Vasakpoolne käepide (eesmine käepide)		Parempoolne käepide (tagumine käepide)		Kohaldatav standard
ah (m/s ²)	Määramatus K (m/s ²)	ah (m/s ²)	Määramatus K (m/s ²)	
2,5	1,5	3,1	1,5	ISO22867(ISO11680-1)

MÄRKUS: Deklareeritud vibratsiooni koguväärtust (-väärtuseid) on mõõdetud kooskõlas standardse katsemeetodiga ning seda võib kasutada ühe seadme võrdlemiseks teisega.

MÄRKUS: Deklareeritud vibratsiooni koguväärtust (-väärtuseid) võib kasutada ka mürataseme esmaseks hindamiseks.

⚠️HOIATUS: Vibratsioonitase võib elektritööriista tegelikkuses kasutamise ajal erineda deklareeritud väärtus(t)est olenevalt tööriista kasutusviisidest ja eriti töödeldavast toorikust.

⚠️HOIATUS: Rakendage operaatori kaitsmiseks kindlasti piisavaid ohutusabinõusid, mis põhinevad hinnangulisel müratasemel tegelikus tööolukorras (võttes arvesse tööperioodi kõiki osasid, näiteks korrad, kui seade lülitatakse välja ja seade töötab tühikäigul, lisaks tööajale).

EÜ vastavusdeklaratsioon

Ainult Euroopa riikide puhul

EÜ vastavusdeklaratsioon sisaldub käesoleva juhendi Lisas A.

OHUTUSHOIATUSED

Üldised elektritööriistade ohutushoiatused

⚠️HOIATUS: Lugege läbi kõik selle elektritööriistaga kaasas olevad ohutushoiatused, juhised, joonised ja tehnilised andmed. Järgnevate juhiste eiramine võib põhjustada elektrilöögi, süttimise ja/või raske kehavigastuse.

Hoidke edaspidisteks viideteks alles kõik hoiatused ja juhtnõbrid.

Hoiatustes kasutatud termini „elektritööriist“ all peetakse silmas elektriga töötavaid (juhtmega) elektritööriistu või akuga töötavaid (juhtmata) elektritööriistu.

Juhtmata teleskoop-oksasae ohutushoiatused

Üldised ettevaatusabinõud

1. Enne seadme käivitamist lugege kasutusjuhend läbi ja tehke endale seadme käsitsemine selgeks.
2. Ärge laenake tööriista isikule, kellel pole tööriista käsitlemiseks piisavalt kogemusi ja teadmisi.
3. Seadme laenamisel andke sellega alati kaasa ja kasutusjuhend.
4. Ärge lubage tööriista kasutada alla 18-aastastel lastel või noorukitel. Hoidke neid tööriistast eemal.
5. Seadme käsitlemisel tuleb olla ülimalt ettevaatlik ja tähelepanelik.
6. Ärge kunagi kasutage seadet siis, kui olete tarvitanud alkoholi või ravimeid või kui tunnete ennast väsinuna või olete haige.
7. Ärge kunagi püüdke seadet muuta.

8. Ärge kasutage tööriista halbades ilmastikuoludes, eriti kui valitseb äikesoht. Sellega vähendate pikselöögiohtu.
9. Riiklikud regulatsioonid võivad tööriista kasutamist piirata. Jälgige oma riigis kehtestatud tööriista käsitlemist käsitlevaid regulatsioone.

Isikukaitsevahendid

1. Kandke kaitsekiivrit, -prille ja -kindaid, et kaitsta ennast lendava prahi või kukkuvate esemete eest.
2. Kandke kuulmiskaitsevahendeid, näiteks kõrvatrope, et vältida kuulmiskadu.
3. Kandke ohutuks tööks sobivaid rõivaid ja jalanõusid, näiteks töökombinesooni ja tugevaid libisemiskindlaid jalatseid. Ärge kandke avaraid rõivaid ega ehteid. Avarad riidesemed, ehted või pikad juuksed võivad liikuvate osade vahele takerduda.
4. Saeketi käsitlemisel või keti pinge reguleerimisel tuleb kanda kaitsekindaid. Saekett võib paljasse kätte väga raskelt sisse lõigata.

Tööpiirkonna ohutus

1. Hoidke tööriista vähemalt 15 m kaugusel elektriliinidest ja sidekaablitest (sh nendega kokkupuutuvatest okstest). Kõrgpingeliinide katsumine või nendele tööriistaga lähenemine võib lõppeda surma või tõsise vigastusega. Vaadake enne tööde algust, kus asuvad tööpiirkonna läheduses elektriliinid ja -aedikud.
2. Kasutage seadet ainult hea nähtavuse korral ja päeval. Ärge kasutage seadet pimedas ega udus.
3. Ärge kunagi seiske töö ajal ebastabiilsel või libedal pinnal ega järsul nõlvakul. Talvisel ajal arvestage jää ja lumega ning veenduge alati, et jalgedel oleks kindel toetuspind.
4. Hoidke kõrvalseisjad ja loomad töötamise ajal tööriistast vähemalt 15 m kaugusel. Seisake seade kohe, kui keegi teile läheneb.
5. Kahe või enama inimesega koos töötamisel hoidke teineteisest vähemalt 15 m kaugusele ja määrake järelvaataja.
6. Enne töö alustamist uurige, kas tööpiirkonnas leidub traataedu, kive või muid kõvasid esemeid. Need võivad saeketti kahjustada.

Ettevalmistus

1. Enne tööriista monteerimist või reguleerimist lülitage tööriist välja ja eemaldage akukassett.
2. Enne saeketi käsitsemist või keti pinge reguleerimist tuleb kätte panna kaitsekindaid.
3. Enne tööriista käivitamist kontrollige, et tööriistal ei oleks vigastusi, lahtisi polte/metalleid või valesti monteeritud osi. Nüri saeketti tuleb teritada. Kui saekett on paindunud või kahjustunud, tuleb see asendada. Kontrollige, kas kõik juhthoovad ja lülitid liiguvad vabalt. Puhastage ja kuivatage käepidemed.
4. Ärge püüdke tööriista käivitada, kui tööriist on kahjustunud või lõpuni kokku panemata. Muidu võib tekkida tõsine vigastus.
5. Reguleerige kandevööd, võttes arvesse kasutaja kehasuurust.
6. Reguleerige keti pinge sobivaks. Vajaduse korral lisage ketioli.

Tööriista käivitamine

1. Enne tööriista käivitamist pange selga isikukaitsevahendid.
2. Enne tööriista käivitamist veenduge, et tööpiirkonnas ei asuks ühtegi inimest ega looma.
3. Akukasseti paigaldamisel hoidke saekett ja juhtlatt oma kehast ja muudest objektidest, sh maapinnast eemal. Saekett võib tööriista käivitamisel liikuda ja põhjustada tõsiseid kehavigastusi või kahjustusi saeketile ja/või varale.
4. Asetage tööriist kindlale maapinnale. Hoidke head tasakaalu ja kindlat jalgealust.

Kasutamine

1. Hädaolukorras lülitage seade viivitamatult välja.
2. Kui märkate töö ajal ebatavalisi tingimusi (nt müra, vibratsioon), lülitage tööriist välja. Ärge kasutage seadet enne, kui põhjus on kindlaks tehtud ja kõrvaldatud.
3. Saekett jätkab pärast tööriista väljalülitamist lühikesest aega liikumist. Ärge kiirustage saeketi katsumisega.
4. Kasutage töötamise ajal kandevööd. Hoidke seadet kindlalt oma paremal küljel.
5. Hoidke eesmisest käepidemest vasaku käega ja tagumisest käepidemest parema käega olenemata sellest, kas olete parema- või vasakukäeline. Keerake sõrmed ja põidlad ümber käepidemete.
6. Hoidke tööriista ainult isoleeritud haardepindadest, sest saekett võib puutuda kokku peidetud juhtmetega. Voolu all oleva juhtmeaga kokkuputtesse sattunud saekett võib pingestada pikendatud püüga metallosi ja põhjustada kasutajale elektrilöögi.
7. Ärge püüdke tööriista kunagi ühe käega kasutada. Kontrolli kaotamine võib põhjustada raske või surmaga lõppeda võiva vigastuse. Vigastusohu vähendamiseks hoidke käed ja jalad saeketist eemal.
8. Ärge küünitage liiga kaugele ette. Hoidke jalad kogu aeg kindlalt maas ja hoidke tasakaalu. Komistamise vältimiseks olge tähelepanelik varjatud takistuste, nt kändude, puujuurte ja kraavide suhtes. Koristage eest kukkunud oksad ja muud objektid.
9. Kontrolli kaotamise vältimiseks ärge kunagi töötage redelil või puu otsas.

10. Kui seade saab tugeva löögi või kukub maha, kontrollige enne töö jätkamist selle seisukorda. Kahjustuse või kahtluse korral paluge volitatud Makita teeninduskeskuses teha ülevaatus ja parandus.
11. Ärge kasutage tööriista pead. Tööriista pea muutub töötamise ajal kuumaks.
12. Tehke väsimusest tingitud kontrollikaotuse vältimiseks puhkepause. Soovitame iga tunni järel teha 10 kuni 20-minutilise pausi.
13. Kui lahkute tööriista juurest kasvõi lühikeseks ajaks, lülitage tööriist alati välja ja eemaldage akukassett. Töötavat ja valveta tööriista võib kasutada volitamata isik ning põhjustada tõsise õnnetuse.
14. Ärge tõstke paremat kätt tööriista kasutamise ajal õlast kõrgemale.
15. Ärge lööge saeketti töötamise ajal vastu kõvasid takistusi, nagu kivid ja naelad. Olge eriti ettevaatlik, kui löikate oksa seinu, traataia vms läheduses.
16. Kui oksad jäävad tööriista kinni, lülitage tööriist alati välja ja eemaldage akukassett. Muidu võib tahtmatu käivitumine põhjustada raskeid vigastusi.
17. Kui saekett ummistub, lülitage tööriist enne puhastamist alati välja ja eemaldage akukassett.
18. Tööriista kiirendamine, kui saekett on ummistunud, suurendab koormust ja kahjustab tööriista.
19. Enne okste löikamist jätke endale ruumi langevate okste eest eemaldamiseks. Esialgselt eemaldage tööpiirkonnast takistused, näiteks oksad. Viige kõik tööriistad ja esemed mujale turvalise kohta.
20. Enne okste löikamist kontrollige nende langemissuunda, võttes arvesse okste seisundit, külgnõlvaid puid, tuule suunda jne. Pöörake kindlasti tähelepanu langemissuunale ja maapinnale langeva oksa tagasipõrkele.
21. Ärge hoidke tööriista kunagi üle 60° nurga all. Muidu võivad langevad esemed kasutajat tabada ja põhjustada tõsiseid vigastusi. Ärge seiske kunagi lõigatava oksa all.
22. Pöörake tähelepanu murdunud või paindunud okstele. Need võivad löikamisel tagasi pörgata ja tekitada ootamatuid vigastusi.
23. Enne okste löikamist eemaldage löikamiseks mõeldud okste ümbert oksad ja lehed. Muidu võib saekett neisse kinni jääda.
24. Selleks et vältida saeketi saeteesse kinnijäämist, ärge laske hooba lahti enne, kui saekett on saeteest välja tõmmatud.
25. Kui saekett on saeteesse kinni jäänud, lülitage tööriist viivitamatult välja, eemaldage oksa ettevaatlikult, et saetee avada ja saekett vabastada.
26. Vältige tagasilööki (pöörlev reageeriv jõud kasutaja suhtes). Tagasilöögi vältimiseks ärge kasutage kunagi juhtlati nina ega tehke läbis-tavat löiget. Jälgige alati juhtlati nina asendit.
27. Kontrollige sageli keti pingust. Keti pinguse kontrollimisel või reguleerimisel lülitage tööriist välja ja eemaldage akukassett. Kui pingus on nõrk, pingutage seda.
28. Tööriista kasutamisel porisel ja libedal maapinnal või märjal kallakul, pöörake tähelepanu kindlale jalgealusele.
29. Ärge ajage tööriista sügavale auku.
30. Ärge jätke tööriista järelevalveta vihma kätte.

Transportimine

1. Enne tööriista transportimist lülitage tööriist välja ja eemaldage akukasset. Paigaldage transportimise ajaks alati juhtlatti kate.
2. Kandke tööriista transportimise ajal horisontaalses asendis, hoides käepidemest kinni.

Hoolidus

1. Laske seadet hooldada meie volitatud hoolduskeskus, kasutades alati ainult algupäraseid varuosi. Oskamatult tehtud parandus või nõuetele mittevastav hooldus võivad seadme kasutusiga lühendada ja põhjustada õnnetusjuhtumeid.
2. Enne tööriista hooldamist, parandamist või puhastamist lülitage tööriist alati välja ja eemaldage akukasset. Oodake, kuni tööriist on maha jahtunud.
3. Saeketi käsitsemise ajal kandke alati kaitsekindaid.
4. Pärast igat kasutust pingutage kõik kruvid ja mutrid, v.a reguleerimiskruvid.
5. Hoidke saekett taravana. Kui saekett muutub nürriks ja löikejõudlus on kehv, paluge see Makita volitatud teeninduskeskuses teritada või asendada uuega.
6. Ärge tehke hooldus- või parandustöid, mida pole kasutusjuhendis kirjeldatud. Paluge selliseid töid teha Makita volitatud teeninduskeskuses.
7. Kasutage alati Makita originaalvaruosi ja -tarvikuid. Teiste tootjate osade või tarvikute kasutamine võib kaasa tuua seadme rikke, varalise kahju ja/või raske vigastuse.

Hoiudamine

1. Enne seadme hoiulepanekut tehke sellele täielik puhastus ja hooldus. Paigaldage juhtlatti kate. Eemaldage akukasset. Kui tööriist on maha jahtunud, laske ketiõli välja.
2. Hoidke seadet kuivas kohas, lastele kättesaamatult kõrgel riiulil või luku taga.
3. Ärge toetage seadet millegi, näiteks seina vastu. Seade võib ootamatult ümber kukkuda ja vigastusi tekitada.
4. Tööriista hoiudamisel vältige otsest päikesevalgust ja vihma ning hoiukoht ei tohiks muudatuda liiga kuumaks ega niiskeks.

Elektrihoitus ja aku ohutu talitlus

1. Ärge visake kasutatud akut (akusid) tulle. Element võib plahvatada. Kasutatud akude käitlemise võimalikud erinõuded leiate kohalikest eeskirjadest.
2. Akut (akusid) ei tohi avada ega kahjustada. Väljavalgunud elektrolüüt on söövitava toimega ning võib kahjustada silmi ja nahka. See võib osutada allaneelamisel mürgiseks.
3. Ärge laadige akut vihma käes ega märjas keskkonnas.
4. Ärge laadige akut välistingimustes.
5. Ärge käsitsege laadurit, sh laaduri pistikut ja laadimisterminale märgade kätega.
6. Vältige ohtlikke piirkondi. Ärge kasutage seadet niisketes või märgades kohtades ega jätke seda vihma kätte. Seadmesse sisse sattunud vesi suurendab elektrilöögiohtu.
7. Ärge vahetage akut vihma käes.

HOIDKE JUHEND ALLES.

⚠ HOIATUS: ÄRGE UNUSTAGE järgida toote ohutusnõudeid mugavuse või toote (korduskasutamise) saavutatud hea tundmise tõttu. VALE KASUTUS või kasutusjuhendi ohutuseeskirjade eiramine võib põhjustada tervisekahjustusi.

Akukassetiga seotud olulised ohutusjuhised

1. Enne akukasseti kasutamist lugege (1) akulaadial, (2) akut ja (3) seadmel olevad juhtnõidid ja hoiatused läbi.
 2. Ärge võtke akukassetti lahti ega muutke seda. See võib põhjustada tulekahju, liigset kuumust või plahvatuse.
 3. Kui tööaeg järsult lüheneb, siis lõpetage kohe kasutamine. Edasise kasutamise tulemuseks võib olla ülekuumenemisoht, võimalikud põletused või isegi plahvatus.
 4. Kui elektrolüüti satub silma, siis loputage silma puhta veega ja pöörduge koheselt arsti poole. Selline õnnetus võib põhjustada pimedaksjäämist.
 5. Ärge tekitage akukassetis lühist:
 - (1) Ärge puutuge klemme elektrijuhtidega.
 - (2) Ärge hoidke akukassetti tööriistakasti koos metallsemetega, nagu naelad, nändid jne.
 - (3) Ärge tehke akukassetti märjaks ega jätke seda vihma kätte.
- Aku lühis võib põhjustada tugevat elektrivoolu, ülekuumenemist, põletusi ning ka seadet tõsiselt kahjustada.
6. Ärge hoidke ega kasutage tööriista ja akukassetti kohtades, kus temperatuur võib tõusta üle 50 °C (122 °F).
 7. Ärge põletage akukassetti isegi siis, kui see on saanud tõsiselt vigastada või on täiesti kuluunud. Akukasset võib tules plahvatada.
 8. Ärge naelutage, lööge, muljuge, visake akukassetti ega laske sel kukkuda, samuti ärge lööge selle pihta kõva esemega. Selline tegevus võib põhjustada tulekahju, liigset kuumust või plahvatuse.
 9. Ärge kasutage kahjustatud akut.
 10. Sisalduvatele liitium-ioonakudele võib kohalduda ohtlike kaupade õigusaktide nõuded. Kaubanduslikul transportimisel, näiteks kolmandate poolte või transpordiettevõtete poolt, tuleb järgida pakendil ja siltidel toodud erinõudeid. Transportimiseks ettevalmistamisel on vajalik pidades nõu ohtliku materjali ekspordiga. Samuti tuleb järgida võimalike riiklike regulatsioonide üksikasjalikumaid nõudeid.
- Katke teibiga või varjake avatud kontaktid ja pakendage aku selliselt, et see ei saaks pakendis liikuda.
11. Kasutuskõlbmatuks muutunud akukasseti kõrvaldamiseks eemaldage see tööriistast ja viige selleks ette nähtud kohta. Järgige kasutuskõlbmatuks muutunud aku kõrvaldamisel kohalikke eeskirju.
 12. Kasutage akusid ainult Makita heaks kiidetud toodetega. Akude paigaldamine selleks mitte ettenähtud toodetele võib põhjustada süttimist, ülemäärast kuumust, plahvatamist või elektrolüüdi lekkimist.
 13. Kui tööriista ei kasutata pika ajaperioodi jooksul, tuleb aku tööriistast eemaldada.
 14. Kasutamise ajal ja pärast kasutamist võib akukassett kuumeneda, mis võib põhjustada põletusi või madala temperatuuri põletusi. Olge kuuma akukasseti kandmisel ettevaatlik.
 15. Ärge puudutage tööriista klemmi kohe pärast kasutamist, sest see võib olla kuum ja põhjustada põletusi.
 16. Hoidke akukasseti klemmid, avad ja sooned tükikestest, tolmast ja mullast puhtad. See võib põhjustada tööriista või aku ülekuumenemist, süttimist, purunemist ja talitlushäireid, mis võib lõppeda põletuste või kehavigastustega.

17. Kui tööriist ei kannata kasutamist kõrgepingeliinide lähedal, ärge kasutage akukassetti kõrgepingeliinide lähedal. Muidu võib tööriist või akukassett puruneda või sellel tõrge tekkida.

18. Hoidke akut lastele kättesaamatult.

HOIDKE JUHEND ALLES.

⚠ETTEVAATUST: Kasutage ainult Makita originaalaksid. Mitte Makita originaalaksude või muudetud akude kasutamine võib põhjustada akude süttimise, kehavigastuse ja kahjustuse. Samuti muudab see kehtetuks Makita tööriista ja laadija Makita garantii.

Vihjeid aku maksimaalse kasutaja tagamise kohta

1. Laadige akukassetti enne selle täielikku tühjenemist. Kui märkate, et tööriist töötab väiksema võimsusega, peatage töö ja laadige akukassetti.
2. Ärge laadige täielikult laetud akukassetti. Ülelaadimine lühendab akude kasutusiga.
3. Laadige akukassetti toatemperatuuril 10 °C - 40 °C. Enne laadimist laske kuumenenud akukassetil maha jahtuda.
4. Kui te ei kasuta parajasti akukassetti, eemaldage see tööriistast või laadurist.
5. Kui te ei kasuta akukassetti kauem kui kuus kuud, laadige see.

OSADE KIRJELDUS

► Joon.1

1	Toitelamp	2	Toitelüliti	3	Riputi
4	Lukust avamise hoob	5	Akukassett	6	Lüliti päästik
7	Tagumine käepide	8	Saekett	9	Juhtlatt
10	Õlipaagi kork	11	Lukustusrõngas	12	Kinnitusmutter
13	Keti reguleerimiskruvi	14	Juhtlati kate	15	Eesmine käepide

FUNKSIONAALNE KIRJELDUS

⚠ETTEVAATUST: Kandke alati hoolt selle eest, et tööriist oleks enne reguleerimist ja kontrollimist välja lülitatud ja akukassett eemaldatud.

Akukasseti paigaldamine või eemaldamine

⚠ETTEVAATUST: Lülitage tööriist alati enne akukasseti paigaldamist või eemaldamist välja.

⚠ETTEVAATUST: Akukasseti paigaldamisel või eemaldamisel tuleb tööriista ja akukassetti kindlalt paigal hoida. Kui tööriista ja akukassetti ei hoita kindlalt paigal, võivad need käest libiseda ning kahjustada tööriista ja akukassetti või põhjustada kehavigastusi.

► Joon.2: 1. Punane näidik 2. Nupp 3. Akukassett

Akukasseti eemaldamiseks libistage see tööriista küljest lahti, vajutades kasseti esiküljel paiknevat nuppu alla.

Akukasseti paigaldamiseks joondage akukasseti keel korpuse soonega ja libistage kassett oma kohale. Sisestage see terve-nisti, kuni see lukustub klõpsuga oma kohale. Kui näete joonisel näidatud punast näidikut, pole see täielikult lukustunud.

⚠ETTEVAATUST: Paigaldage akukassett alati täies ulatuses nii, et punast osa ei jääks näha. Muidu võib adapter juhuslikult tööriistast välja kukkuda ning põhjustada teile või läheduses viibivatele isikutele vigastusi.

⚠ETTEVAATUST: Ärge rakendage akukasseti paigaldamisel jõudu. Kui kassett ei lähe kergesti sisse, pole see õigesti paigaldatud.

Aku jääkmahutavuse näit

Akukasseti järelejäänud mahutavuse kontrollimiseks vajutage kontrollimise nuppu. Märgulambid süttivad mõneks sekundiks.

► Joon.3: 1. Märgulambid 2. Kontrollimise nupp

Märgulambid			Jääkmahutavus
Pöleb	Ei põle	Vilgub	
■ ■ ■ ■	□ □ □ □	□ □ □ □	75 - 100%
■ ■ ■ □	■ ■ □ □	□ □ □ □	50 - 75%
■ ■ □ □	■ □ □ □	□ □ □ □	25 - 50%
■ □ □ □	□ □ □ □	□ □ □ □	0 - 25%
■ □ □ □	□ □ □ □	□ □ □ □	Laadige akut.
■ ■ □ □	□ □ □ □	□ □ □ □	Akul võib olla tõrge.
□ □ □ □	□ □ □ □	■ ■ □ □	

MÄRKUS: Näidatud mahutavus võib veidi erineda tegelikust mahutavusest olenevalt kasutustingimustest ja ümbritseva keskkonna temperatuurist.

MÄRKUS: Esimene (taga vasakul asuv) märgutuli vilgub, kui akukaitsesüsteem töötab.

Tööriista/aku kaitsesüsteem

Tööriist on varustatud tööriista või aku kaitsesüsteemiga. Süsteem lülitab mootori automaatselt välja, et pikendada tööriista ja aku tööiga. Tööriist seiskub käitamise ajal automaatselt, kui tööriista või aku kohta kehtib üks järgmistest tingimustest.

Ülekoormuskaitse

Kui aku kasutatakse viisil, mis põhjustab ebanormaalselt kõrget voolutaset, siis seiskub tööriist automaatselt ja teite märgutuli vilgub roheliselt. Sellisel juhul lülitage tööriist välja ja lõpetage töö, mis põhjustas tööriista ülekoormuse. Pärast seda käivitage tööriist uuesti.

Ülekuumenemiskaitse

Kui tööriist või aku on ülekuumenenud, seiskub tööriist automaatselt ja teite märgutuli süttib punaselt. Laske sellisel juhul tööriistal ja akul enne tööriista uuesti sisselülitamist jahtuda.

MÄRKUS: Kõrge temperatuuriga keskkonnas hakkab tõenäoliselt tööle ülekuumenemise kaitse ja tööriist peatub automaatselt.

Ülelaadimiskaitse

Kui aku jääkmahtuvus pole piisav, seiskub tööriist automaatselt ja peamine teite märgutuli vilgub punaselt. Sellisel juhul eemaldage aku tööriistast ja laadige akut.

Kaitse muude olukordade eest

Kaitsesüsteem on mõeldud ka muude olukordade jaoks, mis võivad tööriista kahjustada, ja võimaldab tööriistal automaatselt seiskuda. Kui tööriist on ajutiselt peatatud või seiskunud, toimige põhjuste kõrvaldamiseks järgnevalt.

1. Lülitage tööriist välja ja seejärel taaskäivitamiseks uuesti sisse.
2. Laadige akut (akusid) või asendage laetud aku(de)ga.
3. Laske masinal ja aku(de)l jahtuda.

Kui kaitsesüsteemi taastamisega ei õnnestu olukorda parandada, võtke ühendust kohaliku Makita hoolduskeskusega.

Toitelüliti

▲HOIATUS: Kui seadet ei kasutata, lülitage toitelüliti alati välja.

Tööriista sisselülitamiseks vajutage toitelüliti. Väljalülitamiseks vajutage toitelüliti uuesti.

► **Joon.4:** 1. Teite märgutuli 2. Toitelüliti

MÄRKUS: Teite märgutuli vilgub roheliselt, kui lülitate toitelüliti sisse, hoides samal ajal all lahtilukustus- hooja ja tõmmates lüliti päästikut. Sellisel juhul vabastage lüliti päästik ja lahtilukustushoob ning lülitage toitelüliti sisse.

MÄRKUS: Sellel tööriistal on automaatse väljalülitamise funktsioon. Juhukäivituse vältimiseks lülitub toitelüliti automaatselt välja, kui päästikülilit ei kasutata pärast toitelüliti sisselülitamist teatud aja vältel.

Lüliti funktsioneerimine

▲HOIATUS: Ohutuse huvides on sellel tööriistal lukust avamise hoob, mis hoiab ära tööriista ootamatu käivitumise. **ÄRGE KUNAGI** kasutage tööriista, kui see hakkab tööle lihtsalt lüliti päästiku tõmbamisel, lukust avamise hooa vajatamata. **ENNE** edasist kasutamist viige masin parandamiseks volitatud teeninduskeskusesse.

▲HOIATUS: **ÄRGE KUNAGI** teipige lahtilukustuse hooa kinni ega üritage selle funktsiooni blokeerida.

▲ETTEVAATUST: Kontrollige alati enne akukasseti tööriista külge paigaldamist, kas lüliti päästik funktsioneerib nõuetekohaselt ja liigub lahtilaskmisel tagasi väljalülitatud asendisse.

TÄHELEPANU: Ärge tõmmake lüliti päästikut jõuga ilma lahtilukustuse hooa vajatamata. See võib põhjustada lüliti purunemise.

Lüliti päästiku juhusliku vajutamise vältimiseks on tööriistal lukust avamise hoob. Tööriista käivitamiseks vajutage alla lukust avamise hooja ja vajutage lüliti päästikut. Tööriista kiirus kasvab, kui suurendate survet lüliti päästikule. Seiskamiseks vabastage lüliti päästik.

► **Joon.5:** 1. Lüliti päästik 2. Lukust avamise hoob

Toru pikkuse reguleerimine

Toru pikendamiseks või lühendamiseks lõdvendage lukustusrõngast, keerates seda vastupäeva. Seejärel reguleerige toru pikkust ja pingutage rõngast, keerates seda päripäeva.

► **Joon.6:** 1. Lukustusrõngas 2. Toru

KOKKUPANEK

▲ETTEVAATUST: Kandke alati hoolt selle eest, et tööriist oleks enne igasuguseid hooldustöid välja lülitatud ja akukassett eemaldatud.

▲ETTEVAATUST: Ärge puudutage saeketti paljaste kätega. Kandke saeketi käsitsemisel alati kaitsekindaid.

Tööriista monteerimine

1. Eemaldage torult 2 katet ja 1 kate tööriista peaosalt.

► **Joon.7:** 1. Kate 2. Toru 3. Tööriista pea

2. Lõdvendage 3 polti ja eemaldage 1 polt kuuskantvõtmega.

► **Joon.8:** 1. Polt

3. Sisestage toru lõpuni tööriista keresse ja joondage torul olev ava tööriista kerel oleva avaga.

► **Joon.9:** 1. Ava 2. Toru

4. Pingutage 3 polti kuuskantvõtmega.

► **Joon.10:** 1. Polt

5. Lõdvendage 2 polti ja eemaldage 1 polt.

► **Joon.11:** 1. Polt

6. Lõdvendage lukustusrõngas, keerates seda vastupäeva. Seejärel pikendage toru umbes 10 cm või rohkem ja pingutage rõngast, keerates seda päripäeva.

► **Joon.12:** 1. Lukustusrõngas 2. 10 cm või rohkem 3. Toru

7. Sisestage toru lõpuni tööriista peasse ja joondage torul olev ava tööriista peaosel oleva avaga.

► **Joon.13:** 1. Ava 2. Toru

8. Pingutage 2 polti kuuskantvõtmega.

► **Joon.14:** 1. Polt

Saeketi paigaldamine või eemaldamine

⚠ETTEVAATUST: Pärast töötamist on saekett ja juhtlatt endiselt kuumad. Enne mis tahes tööde teostamist tööriista laske nendel piisavalt maha jahtuda.

⚠ETTEVAATUST: Paigaldage ja eemaldage saekett alati puhtas kohas, kus ei ole saepuru ega midagi muud sarnast.

Saeketi paigaldamine

Saeketi paigaldamiseks toimige järgmiselt.

1. Keerake lahti keti reguleerimiskruvi ja seejärel kinnitusmutter.

► **Joon.15:** 1. Kinnitusmutter 2. Keti reguleerimiskruvi 3. Ketiratta kate

2. Eemaldage ketiratta kate.

3. Kontrollige saeketi suunda. Viige saeketi suund vastavusse tööriista kerel oleva märgistusega.

► **Joon.16:** 1. Märgistus kettsae korpusel

4. Asetage saeketi üks ots juhtlati tippu. Pange saeketi teine ots ümber ketiratta. Veenduge, et saekett oleks korralikult ümber ketiratta paigaldatud ja korralikult juhtlati juhikus.

5. Kinnitage juhtlatt tööriista kerelle, viies juhtlatti oleva ava vastavusse tööriista kerel oleva tihvtiga.

► **Joon.17:** 1. Ava 2. Ketiratas

6. Sisestage ketiratta kattel olev eenduv osa tööriista keresse ja sulgege seejärel kate nii, et tööriista kere polt ja tihvt oleks kattel olevate vastetega koos.

► **Joon.18:** 1. Ketiratta kate 2. Eenduv osa 3. Polt 4. Tihvt

7. Keerake kinnitusmutrit, et kinnitada ketiratta kate, seejärel lõdvendage pinge reguleerimiseks.

► **Joon.19:** 1. Kinnitusmutter

Pärast saeketi paigaldamist reguleerige uuesti selle pingsust (vt saeketi pingsuse reguleerimise jaotist).

Saeketi eemaldamine

Saeketi eemaldamiseks toimige järgmiselt.

1. Keerake lahti keti reguleerimiskruvi ja seejärel kinnitusmutter.

► **Joon.20:** 1. Kinnitusmutter 2. Keti reguleerimiskruvi

2. Eemaldage ketiratta kate ning seejärel saekett ja juhtlatt tööriista kerelt.

Saeketi pingsuse reguleerimine

⚠ETTEVAATUST: Ärge saeketti üle pingutage. Saeketi liigne pingsus võib põhjustada saeketi purunemise ja juhtlati kulumise.

⚠ETTEVAATUST: Liiga lõtv kett võib latil maha tulla ja põhjustada kehavigastusega õnnetusjuhtumi.

Tundidepikkuse kasutamise järel võib saekett lõdvendada. Enne kasutamist kontrollige aeg-ajalt saeketi pingsust.

1. Vabastage veidi kinnitusmutrit, et vabastada veidi ketiratta katet.

► **Joon.21:** 1. Kinnitusmutter

2. Tõmmake kergelt juhtlati otsa ja reguleerige keti pingsust. Keerake ketta reguleerimiskruvi vastupäeva, et seda pingutada, ja päripäeva, et seda lõdvendada.

Pingutage saeketti, kuni saeketi alumine külg asetub juhtlati juhikusse, nagu on näidatud.

► **Joon.22:** 1. Juhtlatt 2. Saekett 3. Keti reguleerimiskruvi

3. Jätkake juhtlatist kergelt kinni hoidmist ja kinnitage ketiratta kate.

Veenduge, et saekett ei paikneks alumisel küljel lõdvalt.

4. Ketiratta katte kinnitamiseks keerake kinnitusmutrit kinni.

► **Joon.23:** 1. Kinnitusmutter

TÖÖRIISTA KASUTAMINE

Õlitamine

TÄHELEPANU: Esmakordsel ketiõliga täitmisel või täiesti tühjenenud paagi taastäitmisel lisage õli täitekaela alumise ääreni. Vastasel korral võib õliga varustamine olla häiritud.

TÄHELEPANU: Kasutage spetsiaalselt Makita jaoks mõeldud saeketiõli või sellega võrdväärset turul saada olevat õli.

TÄHELEPANU: Ärge kunagi kasutage tolmust või prügist õli ega lenduvat õli.

TÄHELEPANU: Puude kärpimisel kasutage botaanilist õli. Mineraalõli kahjustab puid.

TÄHELEPANU: Veenduge enne lõikamist, et komplekti õlipaagi kork oleks kohale keeratud.

Saeketti õlitatakse tööriista kasutamise ajal automaatselt. Kontrollige perioodiliselt õlipaagis olevat õlikogust.

► **Joon.24:** 1. Õlipaak

Paagi täitmiseks asetage tööriist lamedale pinnale, vajutage õlipaagi korgil olevale nupule nii, et teisel pool asetsev nupp tõuseb üles, ning eemaldage seejärel õlipaagi kork seda keerates. Õige õlikogus on 160 ml. Pärast paagi täitmist veenduge, et õlipaagi kork oleks tihedalt kinni keeratud.

► **Joon.25:** 1. Õlipaagi kork 2. Pingutamine 3. Lõdvendamine

MÄRKUS: Kui õlipaagi korki on raske eemaldada, sisestage õlipaagi korgi pessa otsvõti ja eemaldage seejärel õlipaagi kork, keerates seda vastupäeva.

► **Joon.26:** 1. Pesa 2. Otsvõti

Hoidke tööriist pärast täitmist puust eemal. Käivitage see ja oodake, kuni saeketi määrdetase on sobiv.

► **Joon.27**

Kandevöö kinnitamine

▲ETTEVAATUST: Kui kasutate tööriista koos seljakoti tüüpi vooluvarustusega, nagu portatiivne akukomplekt, ärge kasutage tööriista komplektis kaasas olevat kandevööd, vaid Makita soovitatud riputusrihma.

Kui kasutate samal ajal tööriista komplektis kaasas olevat kandevööd ja seljakoti tüüpi vooluvarustuse kandevööd, on masina või seljakoti tüüpi vooluvarustuse hädaolukorras eemaldamine raskendatud ning see võib põhjustada õnnetuse või tekitada vigastuse. Soovitatud riputusrihmade kohta küsige Makita volitatud hoolduskeskustest.

▲ETTEVAATUST: Kasutage alati seadme külge kinnitatud kandevööd. Väsimumise vältimiseks reguleerige kandevööd enne töötamise algust.

▲ETTEVAATUST: Enne kasutamist veenduge, et kandevöö oleks tööriista riputi külge õigesti kinnitatud.

▲ETTEVAATUST: Enne tööle hakkamist veenduge, et kandevöö pannel oleks tugevasti kinni.

▲ETTEVAATUST: Kasutage alati tööriista jaoks mõeldud kandevööd. Ärge kasutage muid kandevöösid.

1. Pange rakmed endale selga ja kinnitage pannel.

► **Joon.28:** 1. Pannel

MÄRKUS: Kandevöö eemaldamiseks tehke pannel lahti ja eemaldage kandevöö.

2. Reguleerige rakmed mugavasse tööasendisse.

► **Joon.29**

3. Kinnitage õlarakme haak tööriista riputi külge.

► **Joon.30:** 1. Konks 2. Riputi

Kandevöö on kiirvabastusmehhanism. Kandevöö vabastamiseks vajutage lihtsalt pandla külgedele.

► **Joon.31:** 1. Pannel

Tööriistaga töötamine

▲ETTEVAATUST: Hoidke mootori töötamise ajal kõik oma kehaosad saeketist eemal.

▲ETTEVAATUST: Hoidke tööriistast mootori töötamise ajal kahe käega tugevasti kinni.

▲ETTEVAATUST: Ärge küünitage liiga kaugele ette. Hoidke kogu aeg jalad kindlalt maas ning hoidke tasakaalu.

▲ETTEVAATUST: Olge okstest läbilõikamise ajal ettevaatlik, et mitte kaotada tööriista pea raskuse tõttu tasakaalu.

▲ETTEVAATUST: Tehke alati põgenemistee juhuks, kui oks kukub kasutaja poole.

▲ETTEVAATUST: Ärge kasutage lõikamiseks kunagi juhtlati otsa. Muidu võib toimuda ohtlik tagasilöökk, mis võib põhjustada kehavigastusi.

TÄHELEPANU: Ärge visake tööriista ega laske sel maha kukkuda.

TÄHELEPANU: Ärge katke kinni tööriista ventilatsioonivõlv.

TÄHELEPANU: Ärge rakendage tööriista kasutamisel jõudu. See võib tööriista kahjustada.

Seiske stabiilsel pinnal ja hoidke tööriista okstest eemal nii, et tööriist oleks horisontaalse maapinna suhtes 60° või väiksema nurga all.

► **Joon.32:** 1. 60° või väiksem

Käivitage tööriist ja vajutage saekett õrnalt vastu oksa.

Pikkade okste lõikamisel jaotage oks osadeks ja lõigake oksa otsast, et kontrollida lõigatud okste kukkumissendit. Olge langevate okste suhtes tähelepanelik, sest need võivad maaga kokkupuutel põrkuda kasutaja poole.

► **Joon.33**

Jämedate okste lõikamisel tehke esmalt altpoolt madal sisselõige ja seejärel pealtpoolt lõplik lõige.

► **Joon.34**

Kui proovite jämedaid oksti altpoolt ära lõigata, võib oks sulguda ja pigistada saeketi lõikeavasse kinni. Kui proovite jämedaid oksti ilma altpoolt madalat sisselõiget tegemata pealtpoolt ära lõigata, võib oks lõheneda.

► **Joon.35**

Tööriista kandmine

Enne tööriista kandmist eemaldage tööriistast alati akukassett, seejärel kinnitage juhtlati kate ja lühendage toru. Samuti katke akukassett akukattega.

► **Joon.36:** 1. Juhtlati kate 2. Akukate

Tööriista kasutamine portatiivse akukomplektiga

Lisatarvik

Tööriista kasutamisel portatiivse akukomplektiga tuleb kasutada riputusrihma.

Riputusrihma kinnitamine

1. Kinnitage riputusrihma haigid joonisel näidatud viisil kandevöö või vöörihma rõngaste külge. Valige kasutamiseviisiga sobiv rihmatüüp ja ühendusviis.

► **Joon.37:** 1. Rõngas 2. Haak

► **Joon.38:** 1. Rõngas 2. Haak

2. Kinnitage haak tööriistale.

► **Joon.39:** 1. Haak

Tööriista eemaldamine

Tööriista maha asetamisel tehke riputusrihma pannel ühe käega lahti, hoides samal ajal teise käega tööriistast kinni.

► **Joon.40:** 1. Pannal

MÄRKUS: Rihmast olenevalt ei pruugi pannalt olla.

Kui peate tööriista kiirelt vabastama, järgige allpool toodud juhiseid.

1. Vajutage pandla avamiseks vöörihma pandlal asuvatele hoobadele.

► **Joon.41:** 1. Pannal 2. Hoob

2. Tööriista ja seadme vabastamiseks võtke kandevöö seljast ära.

► **Joon.42:** 1. Kandevöö

HOOLDUS

⚠ETTEVAATUST: Enne kontroll- või hooldustoimingute tegemist kandke alati hoolt selle eest, et tööriist oleks välja lülitatud ja akukassett korrapärase küljest eemaldatud.

⚠ETTEVAATUST: Tööriista kontrollimisel ja hooldustööde tegemisel kandke alati kindaid.

TÄHELEPANU: Ärge kunagi kasutage bensiini, vedelidit, alkoholi ega midagi muud sarnast. Selle tulemuseks võib olla luitumine, deformatsioon või pragunemine.

Toote OHUTUSE ja TÖÖKINDLUSE tagamiseks tuleb vajalikud remontitööd ning muud hooldus- ja reguleerimistööd lasta teha Makita volitatud teeninduskeskustes või tehase teeninduskeskustes. Alati tuleb kasutada Makita varuosi.

Saeketi teritamine

Teritage saeketti siis, kui:

- niiske puidu saagimisel tekib jahune saepuru;
- kett läbibast puitu raskustega isegi tugeva surve avaldamisel;
- lõikeserval on silmnähtavad vigastused;
- saag kisub puidus paremale või vasakule (seda põhjustab saeketi ebaühtlane teritatus või ainult ühe külje vigastus).

Teritage saeketti sagedasti, kuid ainult natukese haaval. Rutiinsel teritamisel piisab enamasti kahest või kolmest viilitõmbest. Pärast saeketi mitmekordset teritamist laske seda teritada meie volitatud teeninduskeskuses.

Teritamiskriteeriumid

⚠HOIATUS: Lõikeserva ja sügavuspiiraja vaheline liiga suur vahemaa suurendab tagasilöögi ohtu.

► **Joon.43:** 1. Lõikuri pikkus 2. Lõikeserva ja sügavuspiiraja vahemaa 3. Minimaalne lõikehamba pikkus (3 mm)

- Kõik lõikurid peavad olema võrdse pikkusega. Erineva pikkusega lõikurid takistavad sae sujuvat jooksu ning võivad põhjustada saeketi purunemise.
- Ärge teritage ketti, kui lõikehamba pikkus on 3 mm või lühem. Kett tuleb asendada uuega.
- Laastu paksus määratakse sügavuse piiraja (ümar nina) ja lõikeserva vahelise kauguse alusel.
- Parim lõiketulemus saadakse, kui vahemaa lõikeserva ja sügavuse piiraja vahel on järgmine.
 - Saetera 90PX: 0,65 mm
 - Saetera 91PX: 0,65 mm

► **Joon.44**

- Teritamismurk 30° peab olema kõikidel lõikuritel ühesugune. Erinevad lõikurinurgad raskendavad sae jooksu ja muudavad selle ebaühtlaseks, kiirendavad kulumist ja viivad keti purunemiseni.
- Kasutage sobivat ümarviili, et tagada hammaste suhtes õige teritamismurk.
 - Saetera 90PX: 55°
 - Saetera 91PX: 55°

Viil ja viiljuhik

- Kasutage keti teritamiseks spetsiaalselt saekettidele mõeldud ümarviili (lisatarvik). Tavalised ümarviilid ei sobi.
- Eri saekettide puhul kasutatavate ümarviilide diameetrid on järgmised.
 - Saetera 90PX: 4,5 mm
 - Saetera 91PX: 4,0 mm
- Viil peaks puutuma vastu lõikurit ainult tõuke ajal. Tagasitõmbe ajaks tõstke viil lõikuri pealt üles.
- Teritage esmalt kõige lühemat lõikurit. Seejärel määrab lühima lõikuri pikkus saeketi kõigi ülejäänud lõikurite pikkuse.
- Viilige joonisel näidatud moel.

► **Joon.45:** 1. Viil 2. Saekett

- Viili käsitsemine on hõlpsam, kui kasutada viilihoidikut (lisatarvik). Viilihoidikul on markeeringud õige teritamismuruga 30° leidmiseks (seadke markeeringud saeketiga paralleelselt ühele joonele) ja läbisüü sügavuse piiri tähisted (kuni 4/5 viili läbimõödust).

► **Joon.46:** 1. Viilihoidik

- Pärast keti teritamist kontrollige ketipiiraja (lisatarvik) abil sügavuse piiraja kõrgust.

► **Joon.47**

- Eemaldage spetsiaalse lameviiliga (lisatarvik) kõik väljaulatuvad osad, ükskõik kui väikesed need ka poleks.
- Ümardage uuesti sügavuse piiraja esiosa.

Juhtlati puhastamine

Juhtlati soonde kogunevad laastud ja saepuru. Need võivad latti soone ummistada ja takistada õli liikumist. Saeketi teritamisel või vahetamisel eemaldage alati ka laastud ja saepuru.

► **Joon.48**

Ketiratta katte puhastamine

Ketiratta katte sisse kogunevad saepuru ja laastud. Eemaldage ketiratta kate ja saekett tööriistalt ja puhastage seejärel saepurust ja laastudest.

► **Joon.49**

Õli väljalaskeava puhastamine

Töö käigus võib tühjenusavasse koguneda tolmu ja väikesed osakesi. Selline tolm ja väikesed osakesed võivad häirida õli voolu ja põhjustada terve saeketi ebapiisavat õlitatust. Kui juhtlati tipu õliga varustatus häirub, siis puhastage õli väljalaskeava järgmisel moel.

1. Eemaldage tööriistalt ketiratta kate ja saekett.
2. Eemaldage tolm või väikesed osakesed lapikruvikeeraja vms abil.

► **Joon.50:** 1. Lapikruvikeeraja 2. Õli väljalaskeava

3. Pange akukassett tööriista sisse. Tõmmake lüliti päästikut, et lasta korjunud tolmul ja osakestel õli tühjenusava kaudu koos väljalastava õliga välja voolata.

4. Eemaldage akukassett tööriista küljest. Paigaldage ketiratta kate ja saekett tööriistale tagasi.

Regulaarne hooldus

Pika tööea tagamiseks, kahjustuste vältimiseks ja ohutusfunktsioonide töötamiseks tuleb teha regulaarselt järgmisi hooldustöid. Seadme garantii kehtib üksnes juhul, kui nimetatud töid on tehtud regulaarselt ja nõuetekohaselt. Nõutud hooldustööde tegemata jätmine suurendab õnnetusohu! Tööriista kasutaja ei tohi teha hooldustöid, mida pole kasutusjuhendis ette nähtud. Kõiki selliseid töid peab tegema meie volitatud teeninduskeskus.

Kontrollitav objekt / töötamisaeag	Enne kasutamist	Iga päev	Iga nädal	Iga 3 kuu tagant	Iga aasta	Enne hoiule panemist
Terve tööriist	Ülevaatamine.	✓	-	-	-	-
	Puhastamine.	-	✓	-	-	-
	Kontrollige volitatud teeninduskeskuses.	-	-	-	-	✓
Saekett	Ülevaatamine.	✓	-	-	-	-
	Teritamine vastavalt vajadusele.	-	-	-	-	✓
Juhtlatt	Ülevaatamine.	✓	✓	-	-	-
	Eemaldage tööriistast.	-	-	-	-	✓
Keti õlitamine	Kontrollige õli etteandemäära.	✓	-	-	-	-
Lüliti päästik	Ülevaatamine.	✓	-	-	-	-
Lukust avamise hoob	Ülevaatamine.	✓	-	-	-	-
Õlipaagi kork	Kontrollige pingsust.	✓	-	-	-	-
Kruvid ja mutrid	Ülevaatamine.	-	-	✓	-	-

Ketiratta vahetamine

⚠ETTEVAATUST: Kulunud ketiratas kahjustab uut saeketti. Sellisel juhul laske ketiratas välja vahetada.

Enne uue saeketi paigaldamist kontrollige ketiratta seisundit. Kui ketiratas on kulunud või kahjustunud, küsige Makita volitatud teeninduskeskusest uus.

► **Joon.51:** 1. Ketiratas 2. Kuluvad piirkonnad

Masina hoindamine

1. Puhastage tööriist enne hoiulepanekut. Eemaldage tööriistast pärast ketiratta katte eemaldamist kõik laastud ja saepuru.
2. Pärast tööriista puhastamist laske sel saeketi ja juhtlati õlitamiseks tühjal töötada.
3. Katke juhtlatt juhtlati kattega ja lühendage toru.
4. Tühjendage õlipaak.

VEAOTSING

Enne remonditöökotta pöördumist kontrollige niidukit ise. Ärge üritage niidukit lahti võtta, kui leiate probleemi, mida kasutusjuhendis ei kirjeldata. Selle asemel pöörduge Makita volitatud teeninduskeskusesse, kus kasutatakse remontimisel alati Makita tagavaraosi.

Tõrge	Põhjus	Tegevus
Tööriist ei käivitu.	Akukassett ei ole paigaldatud.	Paigaldage laetud akukassett.
	Akuga seotud probleem (madal pinge).	Laadige akukassetti. Kui laadimine ei anna tulemust, vahetage akukassett välja.
	Toitelüliti on väljas.	Tööriist lülitub automaatselt välja, kui sellega ei tehta mingi aja jooksul töid. Lülitage toitelüliti uuesti sisse.
Mootor seiskub pärast lühiajalist töötamist.	Aku laetustase on madal.	Laadige akukassetti. Kui laadimine ei anna tulemust, vahetage akukassett välja.
Ketil pole õli.	Õlipaak on tühi.	Täitke õlipaak.
	Õli juhtsoon on määrdunud.	Puhastage soon.
Tööriist ei saavuta maksimaalset pöörlemiskiirust.	Akukassett ei ole õigesti paigaldatud.	Paigaldage akukassett juhendis kirjeldatud viisil.
	Aku võimsus langeb.	Laadige akukassetti. Kui laadimine ei anna tulemust, vahetage akukassett välja.
	Veosüsteem ei tööta korralikult.	Pöörduge remontimiseks teie piirkonna volitatud teeninduskeskusesse.
Toitetuli vibub roheliselt.	Lüliti päästikut vajutati mittekasutatavates tingimustes.	Tõmmake lüliti päästikut pärast toitelüliti sisselülitamist.
Ebatavaline vibratsioon: seisake tööriista viivitamatult!	Juhtlatt või saekett on lõtv.	Reguleerige juhtlati ja saeketi pingust.
	Tööriista rike.	Pöörduge remontimiseks teie piirkonna volitatud teeninduskeskusesse.
Saeketti ei saa paigaldada.	Saeketi ja ketiratta kombinatsioon ei ole õige.	Kasutage õiget saeketi ja ketiratta kombinatsiooni vastavalt tehniliste andmete peatükile.

VALIKULISED TARIKUD

⚠ETTEVAATUST: Neid tarvikuid ja liseseadiseid on soovitatav kasutada koos Makita tööriistaga, mille kasutamist selles kasutusjuhendis kirjeldatakse. Muude tarvikute ja liseseadiste kasutamisega kaasneb vigastada saamise oht. Kasutage tarvikuid ja liseseadiseid ainult ostarbekohaselt.

Saate vajaduse korral kohalikust Makita teeninduskeskusest lisateavet nende tarvikute kohta.

- Saekett
- Juhtlatt
- Juhtlati kate
- Viil
- Makita algupärane aku ja laadija

⚠HOIATUS: Kui ostate juhtlati, mille pikkus erineb standardsest juhtlatist, ostke sellega koos ka sobiv juhtlati kate. See peab tööriista juhtlatiga sobima ja selle täielikult katma.

MÄRKUS: Mõned nimekirjas loetletud tarvikud võivad kuuluda standardvarustusse ning need on lisatud tööriista pakendisse. Need võivad riigiti erineda.

ТЕХНИЧЕСКИЕ ХАРАКТЕРИСТИКИ

Модель:		UA004G
Общая длина (без стержня направляющей и аккумулятора)		2 516–3 748 мм
Номинальное напряжение		36 В – 40 В пост. тока макс.
Масса нетто	*1	7,8 кг
	*2	7,8 – 9,1 кг
Стандартная длина стержня направляющей		300 мм
Рекомендованная длина стержня направляющей	с 90PX	250 – 300 мм
	с 91PX	250 – 300 мм
Подходящий тип пильной цепи (см. таблицу ниже)		90PX 91PX
Стандартная звездочка	Количество зубьев	6
	Шаг	3/8 дюйма
Скорость цепи		0 – 20 м/с (0 – 1 200 м/мин)
Объем масляного бака		160 см ³
Степень защиты		IPX4

- Благодаря нашей постоянно действующей программе исследований и разработок указанные здесь технические характеристики могут быть изменены без предварительного уведомления.
- Технические характеристики могут различаться в зависимости от страны.

*1: Масса с самым крупным блоком аккумулятора, пустым масляным баком и без пильной шины, цепи и плечевого ремня согласно EN ISO 11680-1.

*2: Наименьшая и наибольшая совокупная масса согласно процедуре EPTA 01/2014. Масса может отличаться в зависимости от дополнительного оборудования; блок аккумулятора также считается дополнительным оборудованием.

Подходящий блок аккумулятора и зарядное устройство

Блок аккумулятора	BL4020 / BL4025 / BL4040* / BL4050F* / BL4080F* *: рекомендуемый аккумулятор
Зарядное устройство	DC40RA / DC40RB / DC40RC

- В зависимости от региона проживания некоторые блоки аккумуляторов и зарядные устройства, перечисленные выше, могут быть недоступны.

⚠ОСТОРОЖНО: Используйте только перечисленные выше блоки аккумуляторов и зарядные устройства. Использование других блоков аккумуляторов и зарядных устройств может привести к травме и/или пожару.

Рекомендованный источник электропитания с проводным подключением

Портативный блок питания	PDC01 / PDC1200
--------------------------	-----------------

- В некоторых регионах определенные модели перечисленных выше источников электропитания с проводным подключением могут быть недоступны.
- Перед началом использования источника электропитания с проводным подключением изучите инструкцию и предупреждающие надписи на нем.

Сочетание пильной цепи, стержня направляющей и звездочки

Тип пильной цепи		90PX
Количество приводных звеньев		46
Пильная шина	Длина пильной шины	300 мм
	Длина распила	296 мм
	Шаг	3/8 дюйма
	Измеритель	1,1 мм
	Тип	Шина с концевой звездочкой
Звездочка	Количество зубьев	6
	Шаг	3/8 дюйма

Тип пильной цепи		91PX
Количество приводных звеньев		46
Пильная шина	Длина пильной шины	300 мм
	Длина распила	296 мм
	Шаг	3/8 дюйма
	Измеритель	1,3 мм
	Тип	Шина с концевой звездочкой
Звездочка	Количество зубьев	6
	Шаг	3/8 дюйма

⚠ ОСТОРОЖНО: Используйте подходящее сочетание пильной шины и пильной цепи. Несоблюдение этой рекомендации может привести к травме.

Символы

Ниже приведены символы, которые могут использоваться для обозначения оборудования. Перед использованием убедитесь в том, что вы понимаете их значение.

	Прочитайте руководство по эксплуатации.
	Надевайте каску, защитные очки и используйте средства защиты слуха.
	Использовать защитные перчатки.
	Обувайте прочные ботинки с нескользящими подошвами. Рекомендуется использовать защитную обувь со стальными подносками.
	Остерегайтесь линий электропередач – существует риск поражения электрическим током.
	Соблюдайте дистанцию не менее 15 м.
	Максимально допустимая длина среза
	Направление движения цепи
	Масляный бак для цепи
	Горячие поверхности - возможен ожог рук и пальцев.



Только для стран ЕС
В связи с наличием в оборудовании опасных компонентов отходы электрического и электронного оборудования, аккумуляторы и батареи могут оказывать негативное влияние на окружающую среду и здоровье человека. Не выбрасывайте электрические и электронные устройства или батареи вместе с бытовыми отходами!
В соответствии с директивой ЕС по отходам электрического и электронного оборудования, по аккумуляторам, батареям и отходам аккумуляторов и батарей, а также в соответствии с ее адаптацией к национальному законодательству, отходы электрического оборудования, батареи и аккумуляторы следует хранить отдельно и доставлять на пункт раздельного сбора коммунальных отходов, работающий с соблюдением правил охраны окружающей среды. Это обозначено символом в виде перевернутого мусорного контейнера на колесах, нанесенным на оборудование.



Гарантированный уровень звуковой мощности в соответствии с Директивой ЕС по шумам вне помещений.



Уровень звуковой мощности в соответствии с Регламентом Австралии (Новый Южный Уэльс) по контролю за шумом

Назначение

Инструмент предназначен для обрезания веток и сучьев.

Шум

Типичный уровень взвешенного звукового давления (A), измеренный в соответствии с ISO22868(ISO11680-1):

Уровень звукового давления (L_{pA}): 90 дБ (A)

Уровень звуковой мощности (L_{WA}): 105 дБ (A)

Погрешность (K): 3 дБ (A)

ПРИМЕЧАНИЕ: Заявленное значение распространения шума измерено в соответствии со стандартной методикой испытаний и может быть использовано для сравнения инструментов.

ПРИМЕЧАНИЕ: Заявленное значение распространения шума можно также использовать для предварительных оценок воздействия.

▲ОСТОРОЖНО: Используйте средства защиты слуха.

▲ОСТОРОЖНО: Распространение шума во время фактического использования электроинструмента может отличаться от заявленного значения в зависимости от способа применения инструмента и в особенности от типа обрабатываемой детали.

▲ОСТОРОЖНО: Обязательно определите меры безопасности для защиты оператора, основанные на оценке воздействия в реальных условиях использования (с учетом всех этапов рабочего цикла, таких как выключение инструмента, работа без нагрузки и включение).

Вибрация

Левая рукоятка (передняя ручка)		Правая рукоятка (задняя ручка)		Применимый стандарт
ah (м/с ²)	Погрешность, K (м/с ²)	ah (м/с ²)	Погрешность, K (м/с ²)	
2,5	1,5	3,1	1,5	ISO22867(ISO11680-1)

ПРИМЕЧАНИЕ: Заявленное общее значение распространения вибрации измерено в соответствии со стандартной методикой испытаний и может быть использовано для сравнения инструментов.

ПРИМЕЧАНИЕ: Заявленное общее значение распространения вибрации можно также использовать для предварительных оценок воздействия.

▲ОСТОРОЖНО: Распространение вибрации во время фактического использования электроинструмента может отличаться от заявленного значения в зависимости от способа применения инструмента и в особенности от типа обрабатываемой детали.

▲ОСТОРОЖНО: Обязательно определите меры безопасности для защиты оператора, основанные на оценке воздействия в реальных условиях использования (с учетом всех этапов рабочего цикла, таких как выключение инструмента, работа без нагрузки и включение).

Декларация о соответствии ЕС

Только для европейских стран

Декларация о соответствии ЕС включена в руководство по эксплуатации (Приложение А).

МЕРЫ БЕЗОПАСНОСТИ

Общие рекомендации по технике безопасности для электроинструментов

▲ОСТОРОЖНО: Ознакомьтесь со всеми представленными инструкциями по технике безопасности, указаниями, иллюстрациями и техническими характеристиками, прилагаемыми к данному электроинструменту. Несоблюдение каких-либо инструкций, указанных ниже, может привести к поражению электрическим током, пожару и/или серьезной травме.

Сохраните брошюру с инструкциями и рекомендациями для дальнейшего использования.

Термин "электроинструмент" в предупреждениях относится ко всему инструменту, работающему от сети (с проводом) или на аккумуляторах (без провода).

Правила техники безопасности при использовании высотореза аккумуляторного телескопического

Общие меры предосторожности

1. Перед началом работы прочтите это руководство по эксплуатации для ознакомления с порядком работы с инструментом.
2. Не передавайте инструмент во временное пользование лицам с недостаточным опытом или знаниями в отношении работы с инструментом.
3. Обязательно передавайте вместе с инструментом и руководство по эксплуатации.
4. Запрещено использование инструмента детьми и лицами, не достигшими 18 лет. Следите, чтобы они не приближались к инструменту.

5. При обращении с инструментом будьте предельно осторожны и внимательны.
6. Запрещено использовать инструмент в состоянии алкогольного или наркотического опьянения, в случае усталости или болезни.
7. Запрещено вносить изменения в конструкцию инструмента.
8. Запрещено использовать инструмент в неблагоприятных погодных условиях, особенно если существует риск удара молнией. Это снижает риск удара молнией.
9. Использование инструмента может быть ограничено государственными нормами. Соблюдайте требования норм, касающихся эксплуатации инструмента в вашей стране.

Индивидуальные средства защиты

1. Для защиты от разлетающихся частиц и падающих предметов надевайте шлем, защитные очки и перчатки.
2. Используйте средства защиты органов слуха (например, наушники) во избежание потери слуха.
3. Для обеспечения безопасности работы надевайте соответствующую одежду и обувь, например, рабочий комбинезон и прочные ботинки с нескользящей подошвой. Не надевайте свободную одежду или украшения. Свободная одежда, украшения или длинные волосы могут попасть в движущиеся детали устройства.
4. При эксплуатации пильной цепи или регулировке натяжения цепи надевайте защитные перчатки. Пильная цепь может сильно поранить незащищенные руки.

Безопасность на рабочем месте

1. Держите инструмент на расстоянии не менее 15 м от электрических проводов и кабелей связи (включая ветки, которые их касаются). Соприкосновение инструмента с электрическими проводами под высоким напряжением или приближение к ним может привести к серьезной травме или летальному исходу. Прежде чем приступить к обрезке, осмотрите электрические провода и изгороди в рабочей зоне.
2. Используйте инструмент только в условиях хорошей видимости и естественного дневного освещения. Не используйте инструмент в темное время суток или в условиях тумана.
3. Во время работы с инструментом не стойте на неустойчивой или скользкой поверхности либо крутых склонах. В холодное время года учитывайте наличие льда и снега и обеспечьте устойчивое положение.
4. Люди и животные не должны находиться в радиусе 15 м от работающего инструмента. Остановите инструмент, как только увидите, что кто-то подошел ближе.
5. При работе с двумя или более людьми соблюдайте дистанцию не менее 15 м или больше друг от друга и назначьте руководителя.

6. Перед началом работ убедитесь, что в месте проведения работ отсутствуют проволочные изгороди, стены или другие твердые предметы. Они могут повредить пильную цепь.

Подготовка

1. Перед сборкой или регулировкой выключите инструмент и извлеките блок аккумулятора.
2. Перед началом эксплуатации пильной цепи или регулировке натяжения цепи надевайте защитные перчатки.
3. Перед запуском осмотрите инструмент на предмет повреждений, ослабленных винтов / гаек или неправильной сборки. Заточите затупившуюся пильную цепь. Если пильная цепь изогнута или повреждена, замените ее. Убедитесь в легкости нажатия всех рычагов управления и переключателей. Очистите и протрите насухо рукоятки.
4. Запрещено запускать инструмент, если он поврежден или не полностью собран. Несоблюдение этой рекомендации может привести к тяжелой травме.
5. Отрегулируйте плечевой ремень в соответствии с ростом и комплекцией оператора.
6. Правильно отрегулируйте натяжение цепи. Долейте масло для цепи, если необходимо.

Включение инструмента

1. Перед включением инструмента наденьте индивидуальные средства защиты.
2. Перед включением инструмента убедитесь в отсутствии людей или животных в месте выполнения работ.
3. При установке блока аккумуляторов держите пильную цепь и пильную шину на расстоянии от тела и других предметов, в том числе от земли. При запуске возможно внезапное движение пильной цепи, что может стать причиной тяжелых травм или повреждений пильной цепи и/или имущества.
4. Установите инструмент на прочное основание. Сохраняйте равновесие и занимайте устойчивое положение.

Эксплуатация

1. При возникновении экстренной ситуации немедленно выключите инструмент.
2. Если в процессе работы вы заметили необычный шум или вибрацию, выключите инструмент. Не используйте инструмент, пока причина не будет определена и устранена.
3. Пильная цепь продолжает движение в течение короткого периода времени после выключения инструмента. Не спешите прикасаться к пильной цепи.
4. Используйте плечевой ремень в процессе работы. Крепко удерживайте инструмент справа от себя.
5. Удерживайте переднюю рукоятку левой рукой, а заднюю – правой, независимо от того, правша вы или левша. Крепко обхватите рукоятки пальцами.

6. Держите инструмент только за специальные изолированные поверхности, поскольку при выполнении работ существует риск контакта пильной цепи со скрытой электропроводкой. В случае контакта пильной цепи с проводом под напряжением это напряжение может передаться на открытые металлические части удлиненного сектора, что может стать причиной поражения оператора электрическим током.
 7. Запрещено работать с инструментом, удерживая его одной рукой. Потеря контроля может стать причиной серьезной травмы или летального исхода. Чтобы снизить риск травмы, держите руки и ноги на максимально возможном расстоянии от пильной цепи.
 8. Во время работы с устройством не тянитесь. Всегда сохраняйте устойчивое положение и равновесие. Чтобы не споткнуться, учитывайте скрытые препятствия, такие как пни, корни и канавы. Уберите упавшие ветки и другие объекты.
 9. Во избежание выхода инструмента из-под контроля запрещено работать на лестнице или на дереве.
 10. Если инструмент получил сильный удар или упал, перед продолжением работы проверьте его состояние. При возникновении сомнений или обнаружении повреждения обратитесь в авторизованный сервисный центр Makita для осмотра инструмента и ремонта.
 11. Не касайтесь головки инструмента. Головка инструмента нагревается во время работы.
 12. Если вы устали, прервите работу и отдохните, чтобы не потерять контроль над инструментом. Мы рекомендуем делать перерывы на отдых по 10–20 минут каждый час.
 13. Оставляя инструмент без присмотра даже на короткий период времени, обязательно выключайте его и извлекайте блок аккумулятора. Оставленным без присмотра работающим инструментом может воспользоваться посторонний человек, что может привести к тяжелому несчастному случаю.
 14. При работе с инструментом не поднимайте правую руку выше уровня плеч.
 15. Во время работы не бейте пильную цепью по твердым препятствиям, таким как камни или гвозди. Будьте особенно осторожны при срезании веток вблизи стен, проволочных изгородей или других подобных предметов.
 16. В случае застревания веток в инструменте всегда останавливайте инструмент и извлекайте блок аккумулятора. В противном случае непреднамеренный запуск может привести к тяжелой травме.
 17. В случае засорения пильной цепи всегда выключайте инструмент и извлекайте блок аккумулятора перед очисткой.
 18. Повышение рабочей частоты инструмента при заблокированной пильной цепи увеличивает нагрузку и приводит к повреждению инструмента.
 19. Перед срезанием сучьев организуйте зону безопасности за пределами места их падения. Сначала удалите помехи в виде сучьев и веток из рабочей зоны. Перенесите все инструменты и вещи из зоны безопасности в другое безопасное место.
 20. Перед срезанием веток и сучьев определите направление их падения, учитывая состояние веток и сучьев, соседних деревьев, направление ветра и т. п. Обратите все внимание на направление падения и отскока ветки после удара об землю.
 21. Никогда не держите инструмент под углом более 60°. В противном случае падающие предметы могут попасть в оператора и причинить ему тяжелые травмы. Никогда не стойте под отрезаемым суком.
 22. Обратите внимание на сломанные или изогнутые ветки. Они могут неожиданно отскочить во время отрезания, причинив травму.
 23. Перед срезанием сучьев удалите ветки и листья вокруг них. В противном случае пильная цепь может зацепиться за них.
 24. Чтобы предотвратить застревание пильной цепи в пропиле, не отпускайте рычаг до момента извлечения пильной цепи из пропила.
 25. В случае застревания пильной цепи в пропиле немедленно остановите инструмент, осторожно потяните за ветку, чтобы расширить пропил и извлеките пильную цепь.
 26. Не допускайте отдачи (вращательной реактивной силы в направлении оператора). Для предотвращения отдачи запрещено использовать конец пильной шины или выполнять проникающий разрез. Всегда контролируйте положение конца пильной шины.
 27. Часто проверяйте натяжение цепи. Перед проверкой или регулировкой натяжения цепи отключите инструмент и извлеките блок аккумулятора. Если натяжение недостаточное, натяните цепь.
 28. При использовании инструмента в грязи, на влажном склоне или на скользкой поверхности будьте осторожны, чтобы не поскользнуться.
 29. Не допускайте погружения инструмента в лужи.
 30. Не оставляйте инструмент без присмотра под открытым небом в дождь.
- Транспортировка**
1. Перед транспортировкой инструмента выключите инструмент и извлеките блок аккумулятора. Всегда устанавливайте крышку пильной шины для транспортировки.
 2. Во время транспортировки инструмента переносите его в горизонтальном положении, удерживая за рукоятку.
- Техническое обслуживание**
1. Обслуживание и ремонт оборудования осуществляется авторизованным сервисным центром с использованием только оригинальных деталей. Ненадлежащий ремонт или техническое обслуживание может сократить срок службы инструмента и повысить риск несчастных случаев.

2. Перед выполнением работ по техническому обслуживанию, ремонту или очистке инструмента всегда выключайте его и извлекайте блок аккумулятора. Дайте инструменту остыть.
3. При работе с пильной цепью обязательно надевайте защитные перчатки.
4. После каждого использования затягивайте все винты и гайки, кроме регулировочных винтов.
5. Следите, чтобы пильная цепь всегда была острой. Если пильная цепь затупилась, а эффективность резания снизилась, обратитесь в авторизованный сервисный центр Makita, чтобы заточить ее или заменить новой.
6. Не пытайтесь выполнить работы по техническому обслуживанию или ремонту, не описанные в этом руководстве по эксплуатации. Для выполнения этих процедур обратитесь в авторизованный сервисный центр Makita.
7. Всегда используйте только фирменные запасные части и аксессуары Makita. Использование запасных частей или аксессуаров сторонних производителей может привести к поломке инструмента, повреждению имущества и/или тяжелой травме.

Хранение

1. Перед помещением инструмента на хранение выполните его полную очистку и техническое обслуживание. Установите крышку пильной шины. Снимите блок аккумулятора. Слейте масло для цепи после того, как инструмент остынет.
2. Инструмент должен храниться в недоступном для детей сухом запираемом месте или на верхних полках.
3. Не ставьте инструмент вертикально (например, прислонив к стене). Несоблюдение этого требования может стать причиной падения инструмента и нанесения травмы.
4. Не храните инструмент в помещениях с высокой влажностью или температурой, на солнце или под дождем.

Электробезопасность

1. Не бросайте аккумуляторные блоки в огонь. Они могут взорваться. Уточните местные правила утилизации аккумулятора.
2. Не вскрывайте и не разбивайте аккумуляторы. Содержащийся в них электролит очень едкий, вы можете повредить глаза или кожу. При проглатывании это вещество может вызвать отравление.
3. Не заряжайте аккумулятор под дождем или в местах с повышенной влажностью.
4. Не заряжайте аккумулятор на улице.
5. Не касайтесь зарядного устройства, а также штекера и контактов зарядного устройства влажными руками.
6. Избегайте опасных сред. Не используйте инструмент в местах с повышенной влажностью и под дождем. Попавшая в инструмент вода повышает опасность поражения электрическим током.

7. Запрещается заменять аккумулятор под дождем.

СОХРАНИТЕ ДАННЫЕ ИНСТРУКЦИИ.

⚠ОСТОРОЖНО: НЕ ДОПУСКАЙТЕ, чтобы удобство или опыт эксплуатации данного устройства (полученный от многократного использования) доминировали над строгим соблюдением правил техники безопасности при обращении с этим устройством. **НЕПРАВИЛЬНОЕ ИСПОЛЬЗОВАНИЕ** инструмента или несоблюдение правил техники безопасности, указанных в данном руководстве, может привести к тяжелой травме.

Важные правила техники безопасности для работы с аккумуляторным блоком

1. Перед использованием аккумуляторного блока прочтите все инструкции и предупредительные надписи на (1) зарядном устройстве, (2) аккумуляторном блоке и (3) инструменте, работающем от аккумуляторного блока.
2. Не разбирайте блок аккумулятора и не меняйте его конструкцию. Это может привести к пожару, перегреву или взрыву.
3. Если время работы аккумуляторного блока значительно сократилось, немедленно прекратите работу. В противном случае, может возникнуть перегрев блока, что приведет к ожогам и даже к взрыву.
4. В случае попадания электролита в глаза промойте их обильным количеством чистой воды и немедленно обратитесь к врачу. Это может привести к потере зрения.
5. Не замыкайте контакты аккумуляторного блока между собой:
 - (1) Не прикасайтесь к контактам какими-либо токопроводящими предметами.
 - (2) Не храните аккумуляторный блок в контейнере вместе с другими металлическими предметами, такими как гвозди, монеты и т. п.
 - (3) Не допускайте попадания на аккумуляторный блок воды или дождя.
 Замыкание контактов аккумуляторного блока между собой может привести к возникновению большого тока, перегреву, возможному ожогу и даже поломке блока.
6. Не храните и не используйте инструмент и аккумуляторный блок в местах, где температура может достигать или превышать 50 °C (122 °F).
7. Не бросайте аккумуляторный блок в огонь, даже если он сильно поврежден или полностью вышел из строя. Аккумуляторный блок может взорваться под действием огня.

8. **Запрещено вбивать гвозди в блок аккумулятора, резать, ломать, бросать, ронять блок аккумулятора или ударять его твердым предметом.** Это может привести к пожару, перегреву или взрыву.
9. **Не используйте поврежденный аккумуляторный блок.**
10. **Входящие в комплект литий-ионные аккумуляторы должны эксплуатироваться в соответствии с требованиями законодательства об опасных товарах.**
При коммерческой транспортировке, например, третьей стороной или экспедитором, необходимо нанести на упаковку специальные предупреждения и маркировку.
В процессе подготовки устройства к отправке обязательно проконсультируйтесь со специалистом по опасным материалам. Также соблюдайте местные требования и нормы. Они могут быть строже.
Закройте или закрепите разомкнутые контакты и упакуйте аккумулятор так, чтобы он не перемещался по упаковке.
11. **Для утилизации блока аккумулятора извлеките его из инструмента и утилизируйте безопасным способом. Выполняйте требования местного законодательства по утилизации аккумуляторного блока.**
12. **Используйте аккумуляторы только с продукцией, указанной Makita.** Установка аккумуляторов на продукцию, не соответствующую требованиям, может привести к пожару, перегреву, взрыву или утечке электролита.
13. **Если инструментом не будут пользоваться в течение длительного периода времени, извлеките аккумулятор из инструмента.**
14. **Во время и после использования блок аккумулятора может нагреваться, что может стать причиной ожогов или низкотемпературных ожогов. Будьте осторожны при обращении с горячим блоком аккумулятора.**
15. **Не прикасайтесь к контактам инструмента сразу после использования, поскольку они могут быть достаточно горячими, чтобы вызвать ожоги.**
16. **Не допускайте налипания на контакты, отверстия и пазы блока аккумулятора опилок, пыли или земли.** Это может стать причиной перегрева, возгорания, взрыва или неисправности инструмента или блока аккумулятора, что может привести к ожогам или травмам.
17. **Если инструмент не рассчитан на использование вблизи высоковольтных линий электропередач, не используйте блок аккумулятора вблизи высоковольтных линий электропередач.** Это может привести к неисправности, поломке инструмента или блока аккумулятора.
18. **Храните аккумулятор в недоступном для детей месте.**

СОХРАНИТЕ ДАННЫЕ ИНСТРУКЦИИ.

▲ВНИМАНИЕ: Используйте только фирменные аккумуляторные батареи Makita. Использование аккумуляторных батарей, не произведенных Makita, или батарей, которые были подвергнуты модификациям, может привести к взрыву аккумулятора, пожару, травмам и повреждению имущества. Это также автоматически аннулирует гарантию Makita на инструмент и зарядное устройство Makita.

Советы по обеспечению максимального срока службы аккумулятора

1. **Заряжайте блок аккумуляторов перед его полной разрядкой. Обязательно прекратите работу с инструментом и зарядите блок аккумуляторов, если вы заметили снижение мощности инструмента.**
2. **Никогда не подзаряжайте полностью заряженный блок аккумуляторов. Перезарядка сокращает срок службы аккумулятора.**
3. **Заряжайте блок аккумуляторов при комнатной температуре в 10 - 40 °C (50 - 104 °F). Перед зарядкой горячего блока аккумуляторов дайте ему остыть.**
4. **Если блок аккумулятора не используется, извлеките его из инструмента или зарядного устройства.**
5. **Зарядите ионно-литиевый аккумуляторный блок, если вы не будете пользоваться инструментом длительное время (более шести месяцев).**

ОПИСАНИЕ ДЕТАЛЕЙ

► Рис. 1

1	Основной индикатор питания	2	Основной переключатель питания	3	Крючок для подвешивания
4	Рычаг разблокировки	5	Блок аккумулятора	6	Триггерный переключатель
7	Задняя рукоятка	8	Пильная цепь	9	Пильная шина
10	Крышка маслобака	11	Блокирующее кольцо	12	Стопорная гайка
13	Винт регулировки цепи	14	Крышка пильной шины	15	Передняя рукоятка

ОПИСАНИЕ РАБОТЫ

ВНИМАНИЕ: Перед регулировкой или проверкой функций инструмента обязательно убедитесь, что он выключен и его аккумуляторный блок снят.

Установка или снятие блока аккумулятора

ВНИМАНИЕ: Обязательно выключайте инструмент перед установкой и извлечением аккумуляторного блока.

ВНИМАНИЕ: При установке и извлечении аккумуляторного блока крепко удерживайте инструмент и аккумуляторный блок. Если не соблюдать это требование, они могут выскользнуть из рук, что приведет к повреждению инструмента, аккумуляторного блока и травмированию оператора.

► **Рис.2:** 1. Красный индикатор 2. Кнопка 3. Блок аккумулятора

Для снятия аккумуляторного блока нажмите кнопку на лицевой стороне и извлеките блок.

Для установки блока аккумулятора совместите выступ блока аккумулятора с пазом в корпусе и задвиньте его на место. Устанавливайте блок до упора, чтобы он зафиксировался с небольшим щелчком. Если вы видите красный индикатор, как показано на рисунке, он не зафиксирован полностью.

ВНИМАНИЕ: Обязательно устанавливайте блок аккумулятора до конца, чтобы красный индикатор не был виден. В противном случае блок аккумулятора может выпасть из инструмента и нанести травму вам или другим людям.

ВНИМАНИЕ: Не прилагайте чрезмерных усилий при установке аккумуляторного блока. Если блок не двигается свободно, значит он вставлен неправильно.

Индикация оставшегося заряда аккумулятора

Нажмите кнопку проверки на аккумуляторном блоке для проверки заряда. Индикаторы загорятся на несколько секунд.

► **Рис.3:** 1. Индикаторы 2. Кнопка проверки

Индикаторы			Уровень заряда
Горит	Выкл.	Мигает	
■ ■ ■ ■			от 75 до 100%
■ ■ ■ □			от 50 до 75%
■ ■ □ □			от 25 до 50%
■ □ □ □			от 0 до 25%
▧ □ □ □			Зарядите аккумуляторную батарею.
■ ■ □ □			Возможно, аккумуляторная батарея неисправна.
□ □ ■ ■			

ПРИМЕЧАНИЕ: В зависимости от условий эксплуатации и температуры окружающего воздуха индикация может незначительно отличаться от фактического значения.

ПРИМЕЧАНИЕ: Первая (дальняя левая) индикаторная лампа будет мигать во время работы защитной системы аккумулятора.

Система защиты инструмента/аккумулятора

На инструменте предусмотрена система защиты инструмента/аккумулятора. Она автоматически отключает питание двигателя для продления срока службы инструмента и аккумулятора. Инструмент автоматически остановится во время работы в следующих случаях:

Защита от перегрузки

Если из-за способа эксплуатации аккумулятор потребляет аномально высокий ток, он автоматически выключится, а основной индикатор питания начнет мигать зеленым. В этом случае выключите инструмент и прекратите работу, повлекшую перегрузку инструмента. Затем включите инструмент для перезапуска.

Защита от перегрева

При перегреве инструмента или аккумулятора инструмент автоматически останавливается, а основной индикатор питания начинает гореть красным. В этом случае дайте инструменту и аккумулятору остыть перед повторным включением.

ПРИМЕЧАНИЕ: Защита от перегрева с высокой вероятностью сработает в условиях высокой температуры, а инструмент остановится автоматически.

Защита от переразрядки

Если емкости аккумулятора недостаточно, инструмент остановится автоматически, а основной индикатор питания начнет мигать красным. В этом случае извлеките аккумулятор из инструмента и зарядите его.

Защита от других неполадок

Система защиты также рассчитана на другие неполадки, способные вывести инструмент из строя, и обеспечивает автоматический останов инструмента. В случае временной остановки или прекращения работы инструмента выполните все перечисленные ниже действия для устранения причин остановки.

1. Выключите и снова включите инструмент для его перезапуска.
2. Зарядите аккумулятор(-ы) или замените его/их на заряженный(-е).
3. Дайте устройству и аккумулятору(-ам) возможность остыть.

Если после восстановления системы защиты ситуация не изменится, обратитесь в сервисный центр Makita.

Основной переключатель питания

⚠ ОСТОРОЖНО: Держите основной переключатель питания выключенным, когда он не используется.

Для включения инструмента нажмите главный переключатель питания. Для выключения нажмите главный переключатель питания еще раз.

- **Рис.4:** 1. Основной индикатор питания
2. Главный переключатель питания

ПРИМЕЧАНИЕ: Основной индикатор питания мигает зеленым, если вы включили главный переключатель питания, удерживая нажатым рычаг блокировки в выключенном положении и нажимая триггерный переключатель. В этом случае отпустите триггерный переключатель и рычаг блокировки в выключенном положении, после чего включите главный переключатель питания.

ПРИМЕЧАНИЕ: Этот инструмент оснащен функцией автоматического отключения. Для предотвращения случайного запуска главный переключатель питания автоматически отключается, если триггерный переключатель не был нажат в течение определенного времени после включения главного переключателя питания.

Действие выключателя

⚠ ОСТОРОЖНО: В целях безопасности инструмент оснащен рычагом разблокировки, который предотвращает случайное включение инструмента. **ЗАПРЕЩАЕТСЯ** использовать инструмент после нажатия триггерного переключателя без включения рычага разблокировки. Верните инструмент в авторизованный сервисный центр для надлежащего ремонта ДО продолжения его эксплуатации.

⚠ ОСТОРОЖНО: ЗАПРЕЩЕНО фиксировать рычаг разблокировки при помощи липкой ленты и вносить изменения в его конструкцию.

⚠ ВНИМАНИЕ: Перед установкой аккумуляторного блока в инструмент обязательно убедитесь, что его триггерный переключатель нормально работает и возвращается в положение "OFF" (ВЫКЛ) при отпуске.

ПРИМЕЧАНИЕ: Не давите сильно на триггерный переключатель, не нажав на рычаг разблокировки. Это может привести к поломке переключателя.

Для предотвращения случайного нажатия триггерного переключателя инструмент оборудован рычагом блокировки в выключенном положении. Для запуска инструмента отпустите рычаг блокировки в выключенном положении, затем потяните триггерный переключатель. Для повышения частоты вращения нажмите триггерный переключатель сильнее. Для остановки отпустите триггерный переключатель.

- **Рис.5:** 1. Триггерный переключатель 2. Рычаг разблокировки

Регулировка длины трубки

Чтобы удлинить или укоротить трубку, ослабьте блокирующее кольцо, повернув его против часовой стрелки, отрегулируйте длину трубки и затяните кольцо, повернув его по часовой стрелке.

- **Рис.6:** 1. Блокирующее кольцо 2. Трубка

СБОРКА

⚠ ВНИМАНИЕ: Перед проведением каких-либо работ с инструментом обязательно убедитесь, что инструмент отключен, а блок аккумулятора снят.

⚠ ВНИМАНИЕ: Не прикасайтесь к пильной цепи голыми руками. При работе с пильной цепью обязательно надевайте защитные перчатки.

Сборка инструмента

1. Снимите 2 крышки с трубки и 1 крышку с головки инструмента.

- **Рис.7:** 1. Крышка 2. Трубка 3. Головка инструмента

2. Ослабьте 3 болта и выкрутите 1 болт шестигранным ключом.

- **Рис.8:** 1. Болт

3. Полностью вставьте трубку в корпус инструмента и совместите отверстие на трубе с отверстием на корпусе инструмента.

- **Рис.9:** 1. Отверстие 2. Трубка

4. Затяните 3 болта шестигранным ключом.

- **Рис.10:** 1. Болт

5. Ослабьте 2 болта и выкрутите 1 болт.

- **Рис.11:** 1. Болт

6. Ослабьте блокирующее кольцо, повернув его против часовой стрелки, вытяните трубку приблизительно на 10 см или больше, после чего затяните блокирующее кольцо, повернув его по часовой стрелке.

- **Рис.12:** 1. Блокирующее кольцо 2. 10 см или больше 3. Трубка

7. Полностью вставьте трубку в головку инструмента и совместите отверстие на трубке с отверстием на головке инструмента.

► **Рис.13:** 1. Отверстие 2. Трубка

8. Затяните 2 болта шестигранным ключом.

► **Рис.14:** 1. Болт

Установка или снятие пильной цепи

⚠ВНИМАНИЕ: После окончания эксплуатации пильная цепь и пильная шина остаются горячими. Дождитесь, пока они остынут, прежде чем выполнять какие-либо работы с инструментом.

⚠ВНИМАНИЕ: Процедуру установки и снятия пильной цепи необходимо осуществлять в чистом месте, где нет опилок или других инородных предметов.

Установка пильной цепи

Чтобы установить пильную цепь, выполните следующие действия:

1. Ослабьте винт регулировки цепи, а потом и стопорную гайку.

► **Рис.15:** 1. Стопорная гайка 2. Винт регулировки цепи 3. Крышка звездочки

2. Снимите крышку звездочки.

3. Проверьте направление движения пильной цепи. Направление пильной цепи должно совпадать с направлением, обозначенным отметкой на корпусе инструмента.

► **Рис.16:** 1. Метка на корпусе цепной пилы

4. Наденьте один конец пильной цепи на верхнюю часть пильной шины. Оберните другой конец пильной цепи вокруг звездочки. Убедитесь, что пильная цепь правильно установлена на звездочку и правильно вставлена в паз пильной шины.

5. Прикрепите пильную шину к корпусу инструмента, совместив отверстие на пильной шине со штифтом на корпусе инструмента.

► **Рис.17:** 1. Отверстие 2. Звездочка

6. Вставьте выступ на крышке звездочки в корпус инструмента и закройте крышку таким образом, чтобы болт и штифт на корпусе инструмента совместились с ответными частями на крышке.

► **Рис.18:** 1. Крышка звездочки 2. Выступ 3. Болт 4. Штифт

7. Затяните стопорную гайку, чтобы зафиксировать крышку звездочки, затем немного ослабьте ее для регулировки натяжения.

► **Рис.19:** 1. Стопорная гайка

После установки пильной цепи отрегулируйте ее натяжение согласно инструкциям в разделе регулировки натяжения пильной цепи.

Снятие пильной цепи

Чтобы снять пильную цепь, выполните следующие действия:

1. Ослабьте винт регулировки цепи, а потом и стопорную гайку.

► **Рис.20:** 1. Стопорная гайка 2. Винт регулировки цепи

2. Снимите крышку звездочки, а затем отсоедините пильную цепь и пильную шину от корпуса инструмента.

Регулирование натяжения пильной цепи

⚠ВНИМАНИЕ: Не перетягивайте пильную цепь. Слишком сильное натяжение пильной цепи может привести к ее разрыву и износу стержня направляющей.

⚠ВНИМАНИЕ: Слишком слабо натянутая цепь может соскочить с шины, что создаст риск получения травм.

После многочасового использования пильная цепь может ослабнуть. Перед использованием периодически проверяйте натяжение пильной цепи.

1. Чтобы слегка ослабить крышку звездочки, немного ослабьте стопорную гайку.

► **Рис.21:** 1. Стопорная гайка

2. Слегка поднимите конец пильной шины и отрегулируйте натяжение цепи. Чтобы усилить натяжение, поверните винт регулировки цепи против часовой стрелки, а чтобы ослабить – по часовой стрелке.

Натягивайте пильную цепь до тех пор, пока нижняя сторона пильной цепи не войдет в паз пильной шины, как показано на рисунке.

► **Рис.22:** 1. Пильная шина 2. Пильная цепь 3. Винт регулировки цепи

3. Прикрепите крышку звездочки, придерживая при этом пильную шину.

Убедитесь в том, что пильная цепь не провисает с нижней стороны.

4. Чтобы закрепить крышку звездочки, затяните стопорную гайку.

► **Рис.23:** 1. Стопорная гайка

ЭКСПЛУАТАЦИЯ

Смазка

ПРИМЕЧАНИЕ: При первой заливке масла или при его добавлении после полного опорожнения емкости заливайте масло до нижнего края заливной горловины. В противном случае, подача масла может быть нарушена.

ПРИМЕЧАНИЕ: Смазывайте пильные цепи только специальным маслом для цепных пил Makita или аналогичным ему.

ПРИМЕЧАНИЕ: Запрещается использовать загрязненное пылью и прочими частицами масло или летучую смазку.

ПРИМЕЧАНИЕ: При обрезке деревьев используйте масло растительного происхождения. При использовании минерального масла существует вероятность повреждения деревьев.

ПРИМЕЧАНИЕ: Прежде чем приступать к резке, убедитесь, что крышка масляного бака завинчена.

Смазка пильной цепи осуществляется автоматически во время работы. Время от времени проверяйте, сколько масла осталось в масляном баке.

► **Рис.24:** 1. Масляный бак

Чтобы долить масло в бак, положите инструмент на плоскую поверхность, нажмите кнопку на крышке масляного бака, чтобы кнопка на другой стороне поднялась, и снимите крышку масляного бака, повернув ее.

Необходимое количество масла – 160 мл. После долива масла проверьте надежность затяжки крышки масляного бака.

► **Рис.25:** 1. Крышка маслобака 2. Затянуть 3. Ослабить

ПРИМЕЧАНИЕ: Если крышку масляного бака снять трудно, вставьте накидной ключ в паз крышки масляного бака и снимите крышку масляного бака, повернув ее против часовой стрелки.

► **Рис.26:** 1. Гнездо 2. Накидной ключ

После доливания не подносите инструмент близко к дереву. Включите инструмент и подождите, пока пильная цепь не будет смазана должным образом.

► **Рис.27**

Пристегивание плечевого ремня

▲ВНИМАНИЕ: При использовании инструмента совместно с ранцевым блоком питания, например с портативным блоком питания, не используйте плечевой ремень, идущий в комплекте с инструментом, а используйте ремешок для подвешивания, рекомендованный компанией Makita.

Если одновременно надеть плечевой ремень, идущий в комплекте с инструментом, и плечевой ремень ранцевого блока питания, то в чрезвычайной ситуации снять инструмент или ранцевый блок питания будет затруднительно, что может привести к несчастному случаю или травме. За консультацией по рекомендуемому ремешку для подвешивания обратитесь в авторизованный сервисный центр Makita.

▲ВНИМАНИЕ: Всегда используйте закреплённый плечевой ремень, прикрепленный к инструменту. Чтобы снизить усталость, всегда регулируйте плечевой ремень в соответствии с ростом и комплекцией оператора, прежде чем приступить к работе.

▲ВНИМАНИЕ: Перед началом работы убедитесь в том, что плечевой ремень правильно прикреплен к крючку для подвешивания на инструменте.

▲ВНИМАНИЕ: Перед началом работы убедитесь в том, что замок плечевого ремня надежно закреплён.

▲ВНИМАНИЕ: Всегда используйте плечевой ремень, предназначенный для этого инструмента. Не используйте другие плечевые ремни.

1. Наденьте плечевой ремень и застегните замок.

► **Рис.28:** 1. Замок

ПРИМЕЧАНИЕ: При снятии плечевого ремня расстегните замок и снимите плечевой ремень.

2. Отрегулируйте плечевой ремень, чтобы обеспечить удобное рабочее положение инструмента.

► **Рис.29**

3. Прикрепите крючок на плечевом ремне к крючку для подвешивания инструмента.

► **Рис.30:** 1. Крючок 2. Крючок для подвешивания

Конструкция плечевого ремня обеспечивает его быстрое снятие. Чтобы отсоединить плечевой ремень, просто нажмите на боковые выступы замка.

► **Рис.31:** 1. Замок

Работа с инструментом

⚠ВНИМАНИЕ: Не приближайте пильную цепь к каким-либо частям тела, если электродвигатель работает.

⚠ВНИМАНИЕ: При работающем двигателе крепко держите инструмент двумя руками.

⚠ВНИМАНИЕ: При эксплуатации устройства не тянитесь. Всегда сохраняйте устойчивое положение и равновесие.

⚠ВНИМАНИЕ: При обрезании среди веток будьте осторожны, чтобы не потерять равновесие из-за веса головки инструмента.

⚠ВНИМАНИЕ: Всегда предусматривайте путь эвакуации на тот случай, если обрезанная ветка упадет в сторону оператора.

⚠ВНИМАНИЕ: Никогда не используйте верхушку пильной шины для резания. Это может стать причиной опасной отдачи, которая может привести к травме.

ПРИМЕЧАНИЕ: Не кидайте и не роняйте инструмент.

ПРИМЕЧАНИЕ: Не закрывайте вентиляционные отверстия инструмента.

ПРИМЕЧАНИЕ: Не прилагайте излишних усилий к инструменту. Это может привести к повреждению инструмента.

Встаньте на устойчивую поверхность и держите инструмент на расстоянии от ветвей, чтобы угол наклона инструмента составлял не более 60° относительно горизонтальной поверхности.

► **Рис.32:** 1. не более 60°

Запустите инструмент, а затем слегка прижмите пильную цепь к ветке.

При срезании длинных веток, чтобы контролировать место их падения, разделите ветку на части и обрежьте ее с конца. Остерегайтесь падающих веток, поскольку после удара о землю они могут отскочить в направлении оператора.

► **Рис.33**

При отрезании толстых веток сначала выполните неглубокий подрез снизу, после чего выполните окончательный разрез сверху.

► **Рис.34**

Если вы попытаетесь отрезать толстую ветку снизу, может произойти зажатие пильной цепи в разрезе. Если вы попытаетесь отрезать толстую ветку сверху, не выполнив неглубокий разрез снизу, ветка может расколоться.

► **Рис.35**

Переноска инструмента

Перед переноской инструмента обязательно извлеките из него блок аккумулятора, прикрепляйте крышку пильной шины и складывайте трубку. Также закрывайте блок аккумулятора крышкой аккумуляторной батареи.

► **Рис.36:** 1. Крышка пильной шины 2. Крышка аккумуляторной батареи

Использование инструмента с портативным блоком питания

Дополнительные принадлежности

При использовании инструмента с портативным блоком питания пользуйтесь ремешком для подвешивания.

Крепление ремешка для подвешивания

1. Прикрепите крючки ремешка для подвешивания к кольцам плечевого ремня или поясного ремня, как показано на рисунке. Выберите тип ремешка и способ соединения в соответствии с условиями использования.

► **Рис.37:** 1. Кольцо 2. Крючок

► **Рис.38:** 1. Кольцо 2. Крючок

2. Прикрепите крюк к инструменту.

► **Рис.39:** 1. Крючок

Отсоединение инструмента

Снимая инструмент, расстегните замок ремешка для подвешивания одной рукой, удерживая инструмент другой рукой.

► **Рис.40:** 1. Замок

ПРИМЕЧАНИЕ: В зависимости от типа ремешок может не оснащаться пряжкой.

Если необходимо быстро освободить инструмент, выполните указанные далее действия.

1. Чтобы разблокировать пряжку, нажмите рычаги на пряжке поясного ремня.

► **Рис.41:** 1. Замок 2. Рычаг

2. Снимите плечевой ремень, чтобы отсоединить инструмент и устройство.

► **Рис.42:** 1. Плечевой ремень

ОБСЛУЖИВАНИЕ

⚠ВНИМАНИЕ: Перед проведением проверки или работ по техобслуживанию всегда проверяйте, что инструмент выключен, а блок аккумуляторов снят.

⚠ВНИМАНИЕ: При выполнении осмотра или обслуживания всегда надевайте перчатки.

ПРИМЕЧАНИЕ: Запрещается использовать бензин, растворители, спирт и другие подобные жидкости. Это может привести к обесцвечиванию, деформации и трещинам.

Для обеспечения БЕЗОПАСНОСТИ и НАДЕЖНОСТИ оборудования ремонт, любое другое техобслуживание или регулировку необходимо производить в уполномоченных сервис-центрах Makita или сервис-центрах предприятия с использованием только сменных частей производства Makita.

Заточка пильной цепи

Выполните заточку пильной цепи, если:

- При пилении влажной древесины образуются рыхлые опилки;
- Цепь с трудом входит в древесину даже при приложении значительного усилия на пилу;
- Края распила имеют явные повреждения;
- Пилу при пилении тянет влево или вправо. (из-за неравномерной заточки пильной цепи или повреждения только с одной стороны)

Выполняйте заточку пильной цепи достаточно часто, но понемногу. Для заточки пилы при проведении повседневного ухода обычно достаточно двух или трех проходов напильником. После нескольких заточек заточите пильную цепь в авторизованном сервисном центре.

Требования к заточке:

⚠ ОСТОРОЖНО: Слишком большое расстояние между режущей кромкой и глубиномером повышает риск отбрасывания инструмента из-за отдачи.

- **Рис.43:** 1. Длина режущего элемента
2. Расстояние между режущей кромкой и глубиномером 3. Минимальная длина зубьев (3 мм)

- Длина всех зубьев должна быть одинаковой. Зубья разной длины будут затруднять плавное движение пильной цепи и могут привести к ее разрыву.
- Если длина зубьев пильной цепи 3 мм или меньше, заточивать цепь запрещено. В этом случае пильную цепь необходимо заменить.
- Толщина опилок определяется расстоянием между глубиномером (круглый выступ) и краем режущей кромки.
- Наилучшие результаты достигаются при соблюдении следующего расстояния между режущей кромкой и глубиномером.
 - Цепное лезвие 90PX : 0,65 мм
 - Цепное лезвие 91PX : 0,65 мм

► Рис.44

- Угол заточки в 30° должен соблюдаться на всех зубьях. Разница в углах заточки может привести к резкому и неравномерному движению цепи, ускоренному износу и к разрыву цепи.
- Необходимо использовать подходящий круглый напильник, чтобы угол заточки был направлен от зубьев.
 - Цепное лезвие 90PX : 55°
 - Цепное лезвие 91PX : 55°

Напильник и заточка напильником

- Для заточки цепей пилы используйте специальный круглый напильник (дополнительная принадлежность). Обычные круглые напильники не подходят для заточки цепей.
- Диаметр круглого напильника для каждой пильной цепи:
 - Цепное лезвие 90PX : 4,5 мм
 - Цепное лезвие 91PX : 4,0 мм
- Напильник должен стачивать зуб только при движении вперед. При перемещении напильника назад приподнимайте его над зубьями.

- Сначала наточите самый короткий зуб. Длина этого зуба будет служить ориентиром для остальных зубьев пильной цепи.

- Направьте напильник, как показано на рисунке.

► Рис.45: 1. Напильник 2. Пильная цепь

- При использовании держателя напильника (дополнительная принадлежность) направлять напильник будет значительно легче. Держатель напильника имеет метки для правильного угла заточки в 30° (совместите метки параллельно с пильной цепью) и ограничивает глубину проникновения (до 4/5 диаметра напильника).

► Рис.46: 1. Держатель напильника

- После заточки цепи проверьте высоту глубиномера, используя для этого измерительный инструмент для цепи (дополнительная принадлежность).

► Рис.47

- Удалите любые, даже небольшие, выступы материала при помощи специального плоского напильника (дополнительная принадлежность).
- Закруглите еще раз переднюю часть глубиномера.

Очистка пильной шины

В пазе пильной шины накапливаются щепки и опилки. Это может привести к засорению паза и ухудшить ток масла. Поэтому при заточке или замене пильной цепи необходимо выполнять очистку от щепок и опилок.

► Рис.48

Очистка крышки звездочки

Во внутренней части крышки звездочки накапливаются щепки и опилки. Поэтому необходимо снимать крышку звездочки и отсоединять пильную цепь от инструмента, а затем выполнять очистку от щепок и опилок.

► Рис.49

Очистка отверстия для подачи масла

Во время работы мелкая пыль или частицы могут скапливаться в отверстии для подачи масла. Они могут негативно повлиять на подачу масла и привести к недостаточной смазке всей пильной цепи. В случае ухудшения подачи масла к цепи в верхней части пильной шины очистите отверстие для подачи масла следующим образом.

1. Снимите крышку звездочки и пильную цепь с инструмента.
2. Удалите мелкую пыль или частицы плоской отверткой или аналогичным инструментом.

► Рис.50: 1. Шлицевая отвертка 2. Отверстие нагнетания масла

3. Вставьте блок аккумулятора в инструмент. Нажмите на триггерный переключатель для вымывания пыли и мелких частиц через отверстие подачи масла.
4. Выньте блок аккумулятора из инструмента. Установите крышку звездочки и пильную цепь обратно на инструмент.

Замена звездочки

ВНИМАНИЕ: Изношенная звездочка приведет к повреждению новой пильной цепи. Во избежание этого замените звездочку.

Перед установкой новой пильной цепи проверьте состояние звездочки. Если звездочка изношена или повреждена, свяжитесь с авторизованным сервисным центром Makita для замены.

► **Рис.51:** 1. Звездочка 2. Подлежащие износу участки

Хранение инструмента

1. Перед хранением почистите пилу. Сняв крышку звездочки, удалите щепки и опилки.
2. После очистки инструмента включите его на холостом ходу, чтобы смазать пильную цепь и пильную шину.
3. Закрывайте пильную шину крышкой пильной шины и задвигайте трубку.
4. Опорожните масляный бак.

Указания по периодическому обслуживанию

Чтобы обеспечить продолжительный срок эксплуатации, предотвратить повреждения и обеспечить правильную работу защитных устройств, необходимо регулярно проводить обслуживание. Гарантийные претензии принимаются только при условии надлежащего и регулярного выполнения этих работ. Невыполнение обязательного обслуживания может стать причиной несчастных случаев! Пользователь инструмента не должен выполнять работы по техническому обслуживанию, которые не описаны в инструкции по эксплуатации. Все подобные работы должны выполняться только в нашем авторизованном сервисном центре.

Элемент, подлежащий проверке / Время эксплуатации		Перед началом работы	Ежедневно	Еженедельно	Каждые 3 месяца	Ежегодно	Перед хранением
Инструмент в целом	Осмотр.	✓	-	-	-	-	-
	Очистка.	-	✓	-	-	-	-
	Проверьте в авторизованном сервисном центре.	-	-	-	-	✓	✓
Пильная цепь	Осмотр.	✓	-	-	-	-	-
	При необходимости заточите.	-	-	-	-	-	✓
Пильная шина	Осмотр.	✓	✓	-	-	-	-
	Снять с инструмента.	-	-	-	-	-	✓
Смазка цепи	Проверьте скорость подачи масла.	✓	-	-	-	-	-
Триггерный переключатель	Осмотр.	✓	-	-	-	-	-
Рычаг разблокировки	Осмотр.	✓	-	-	-	-	-
Крышка маслобака	Проверьте герметичность.	✓	-	-	-	-	-
Винты и гайки	Осмотр.	-	-	✓	-	-	-

ПОИСК И УСТРАНЕНИЕ НЕИСПРАВНОСТЕЙ

Прежде чем обращаться по поводу ремонта, проведите осмотр самостоятельно. Если обнаружена неисправность, не указанная в руководстве, не пытайтесь разобрать инструмент. Обратитесь в один из авторизованных сервисных центров Makita, в которых для ремонта всегда используются оригинальные детали Makita.

Неисправность	Причина	Действие
Инструмент не запускается.	Не вставлен блок аккумулятора.	Установите заряженный блок аккумулятора.
	Неисправен аккумулятор (низкое напряжение).	Подзарядите блок аккумулятора. Если подзарядка не помогает, замените блок аккумулятора.
	Основной переключатель питания выключен.	Инструмент автоматически отключается при бездействии в течение определенного времени. Снова включите основной переключатель питания.
После непродолжительного использования двигатель останавливается.	Низкий уровень заряда аккумулятора.	Подзарядите блок аккумулятора. Если подзарядка не помогает, замените блок аккумулятора.
Нет масла на цепи.	Масляный бак пуст.	Заполните масляный бак.
	Загрязнен направляющий желоб для масла.	Очистите желоб.
Инструмент не достигает максимальной частоты вращения.	Неправильно установлен блок аккумулятора.	Вставьте блок аккумулятора, как описано в настоящем руководстве.
	Заряд аккумулятора падает.	Зарядите блок аккумулятора. Если перезарядка не помогает, замените блок аккумулятора.
	Привод работает неправильно.	Обратитесь в авторизованный сервисный центр в вашем регионе для выполнения ремонта.
Основной индикатор питания мигает зеленым.	Триггерный переключатель активирован в условиях, когда эксплуатация невозможна.	После включения основного переключателя потяните триггерный переключатель.
Сильная вибрация: немедленно остановите инструмент!	Ослабьте пильную шину или пильную цепь.	Отрегулируйте натяжение пильной шины и пильной цепи.
	Неисправность инструмента.	Обратитесь в авторизованный сервисный центр в вашем регионе для выполнения ремонта.
Невозможно установить пильную цепь.	Неправильное сочетание пильной цепи и звездочки.	Используйте правильную комбинацию пильной цепи и звездочки (см. раздел технических характеристик).

ДОПОЛНИТЕЛЬНЫЕ ПРИНАДЛЕЖНОСТИ

ВНИМАНИЕ: Данные принадлежности или приспособления рекомендуются для использования с инструментом Makita, указанным в настоящем руководстве. Использование других принадлежностей или приспособлений может привести к получению травмы. Используйте принадлежность или приспособление только по указанному назначению.

ОСТОРОЖНО: При покупке пильной шины, которая отличается по длине от стандартной пильной шины, вместе с ней необходимо также приобрести крышку пильной шины подходящего размера. Убедитесь, что эта крышка подходит и полностью закрывает пильную шину инструмента.

ПРИМЕЧАНИЕ: Некоторые элементы списка могут входить в комплект инструмента в качестве стандартных приспособлений. Они могут отличаться в зависимости от страны.

Если вам необходимо содействие в получении дополнительной информации по этим принадлежностям, свяжитесь с вашим сервис-центром Makita.

- Пильная цепь
- Пильная шина
- Крышка пильной шины
- Напильник
- Оригинальный аккумулятор и зарядное устройство Makita



Makita Europe N.V. Jan-Baptist Vinkstraat 2,
3070 Kortenberg, Belgium

Makita Corporation 3-11-8, Sumiyoshi-cho,
Anjo, Aichi 446-8502 Japan

www.makita.com

885929-984
EN, SV, NO, FI, DA,
LV, LT, ET, RU
20211224