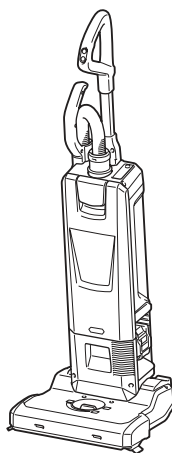




EN	Cordless Upright Cleaner	INSTRUCTION MANUAL	11
SV	Sladdlös upprätt dammsugare	BRUKSANVISNING	23
NO	Trådløs skafstøvsuger	BRUKSANVISNING	35
FI	Akkukäyttöinen pystyimuri	KÄYTTÖOHJE	47
DA	Akku oprejst støvsuger	BRUGSANVISNING	59
LV	Bezvadu statenisks tīrītājs	LIETOŠANAS INSTRUKCIJA	71
LT	Belaidis vertikalus siurblys	NAUDOJIMO INSTRUKCIJA	83
ET	Juhtmeta püstine tolmuimeja	KASUTUSJUHEND	95
RU	Аккумуляторный пылесос	РУКОВОДСТВО ПО ЭКСПЛУАТАЦИИ	107

VC010G



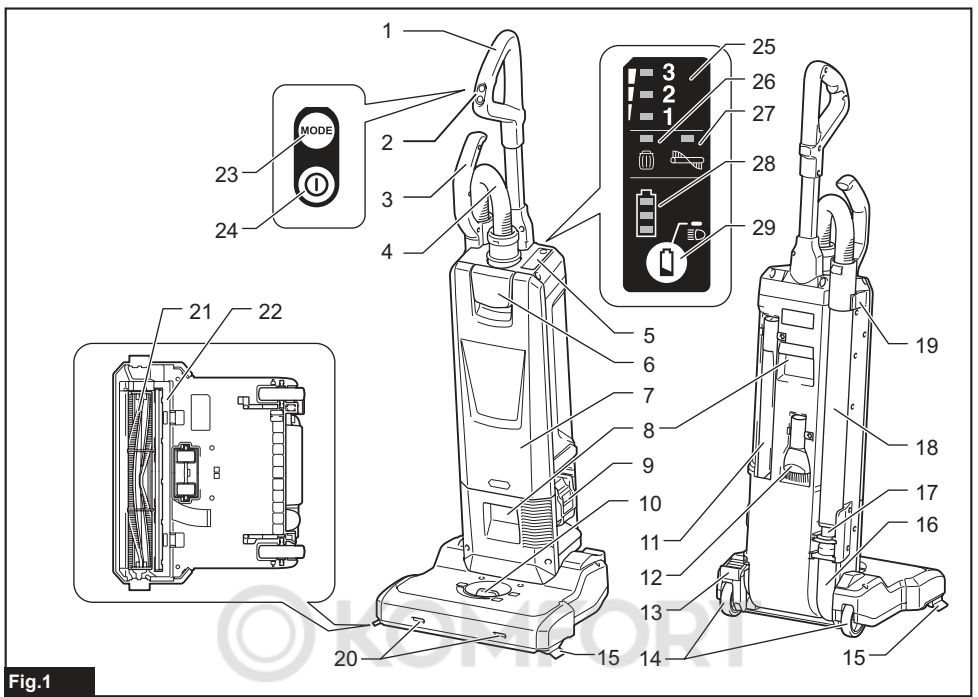


Fig.1

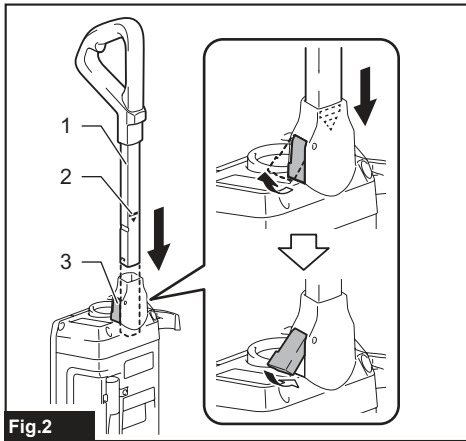


Fig.2

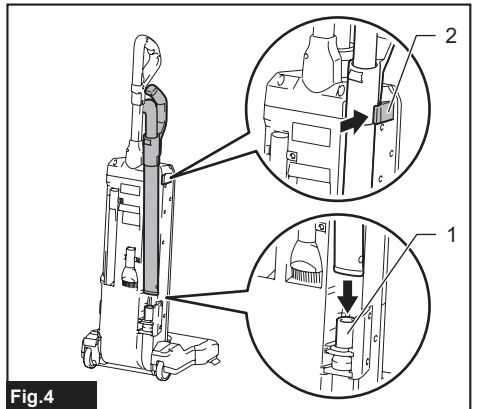


Fig.4

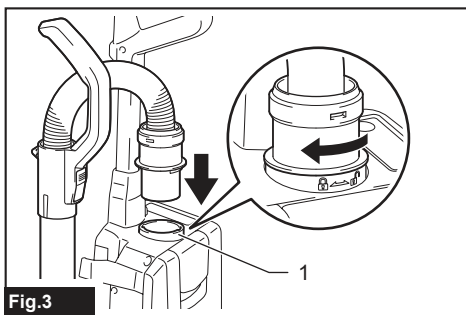


Fig.3

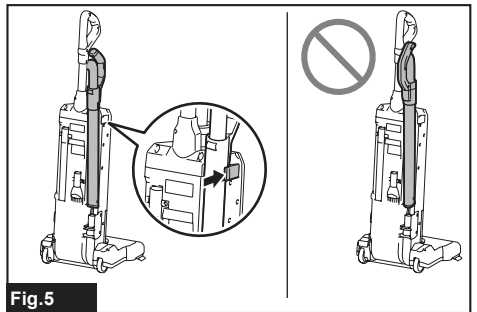
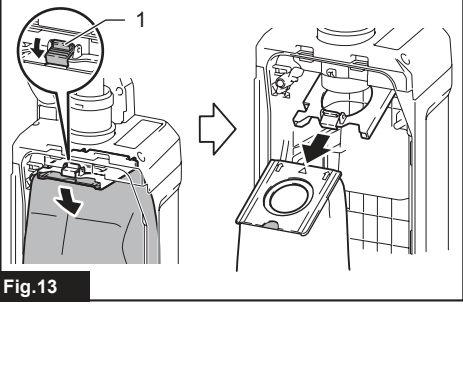
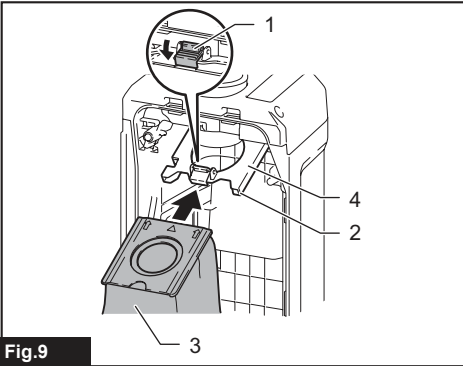
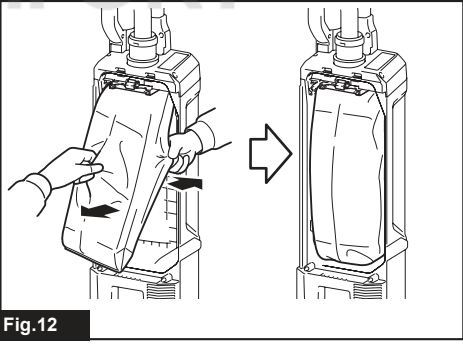
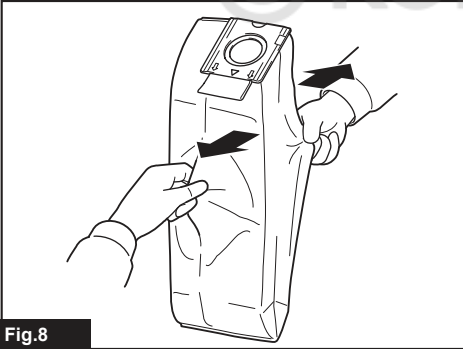
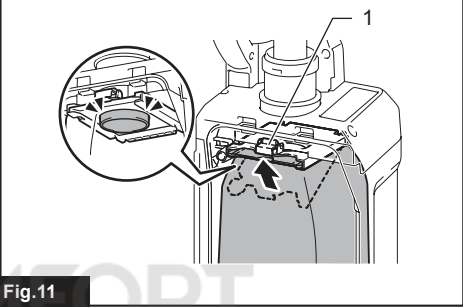
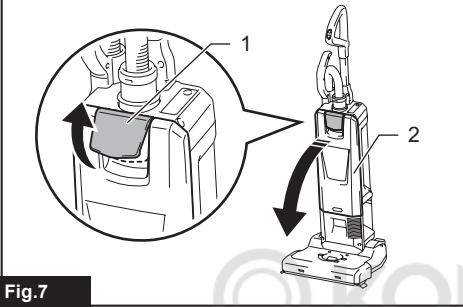
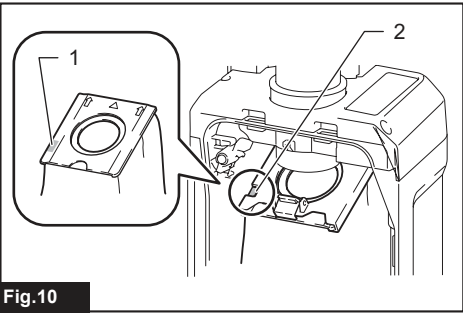
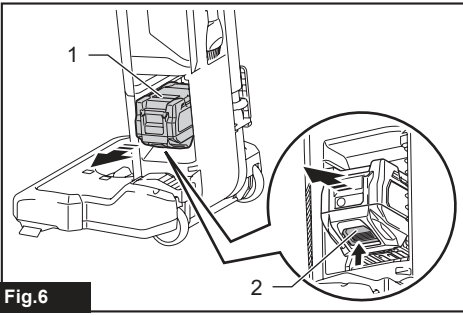


Fig.5



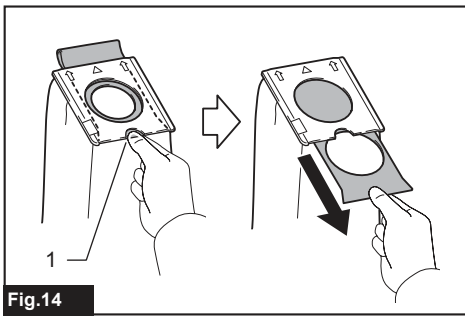


Fig.14

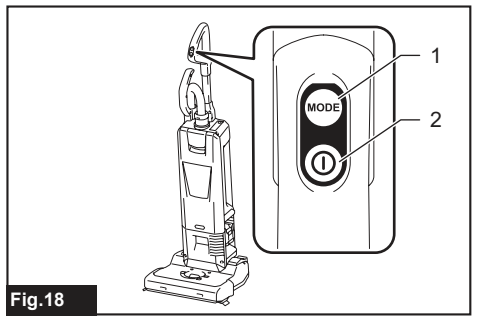


Fig.18

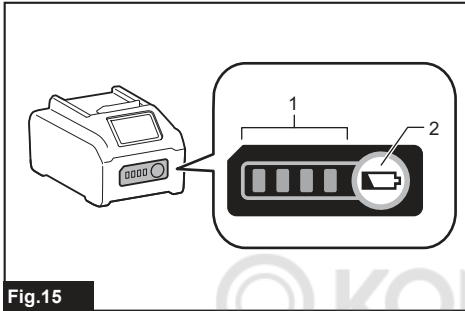


Fig.15

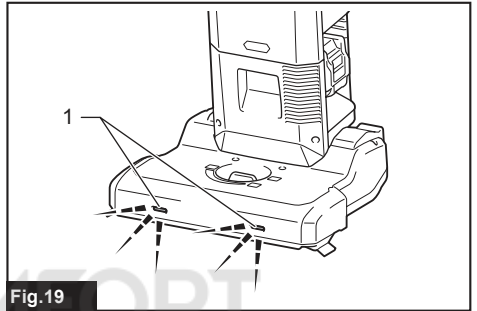


Fig.19

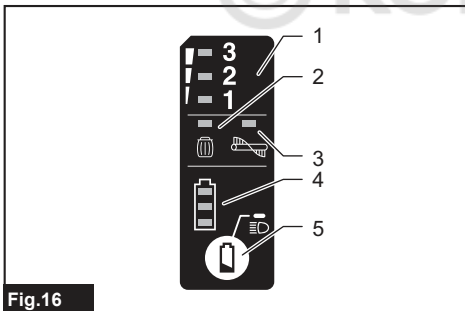


Fig.16

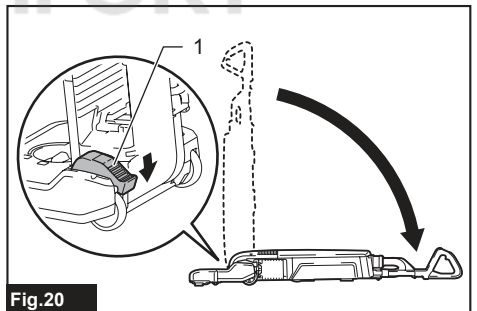


Fig.20

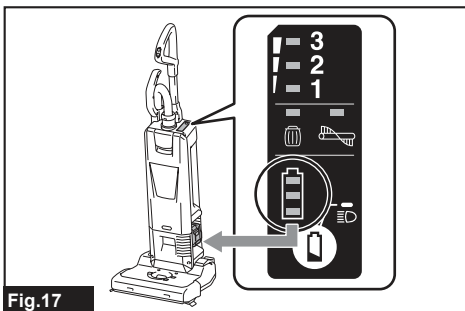


Fig.17

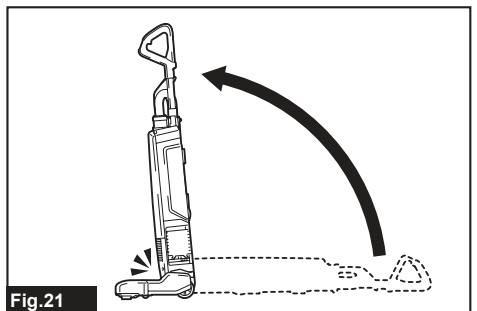


Fig.21

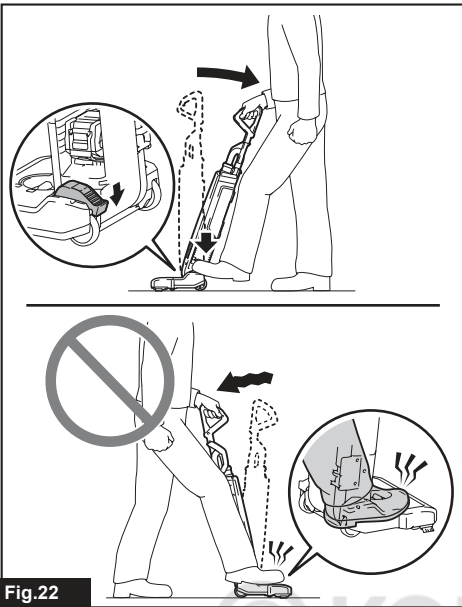


Fig.22

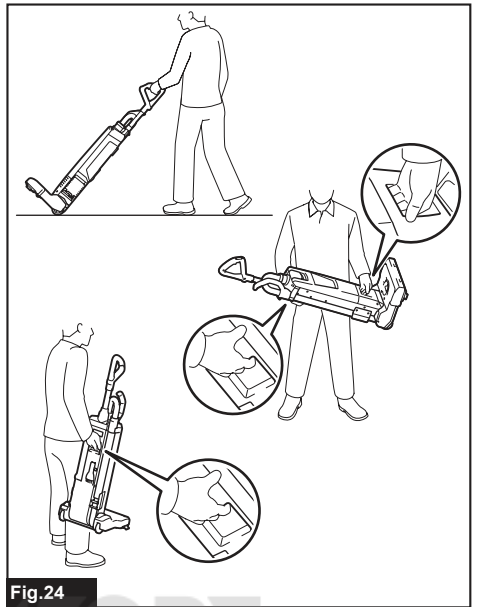


Fig.24

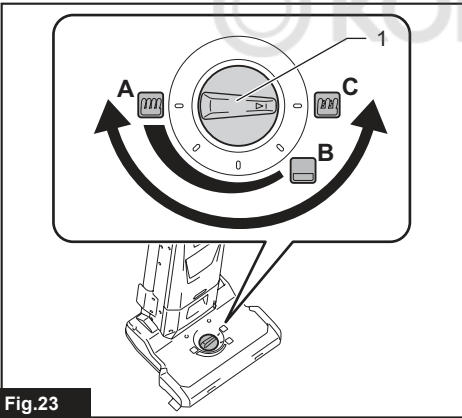


Fig.23

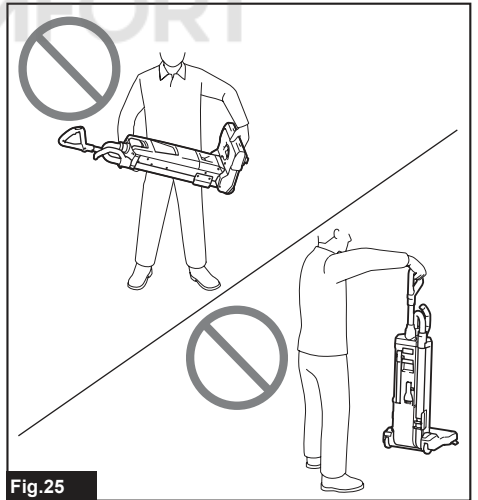


Fig.25

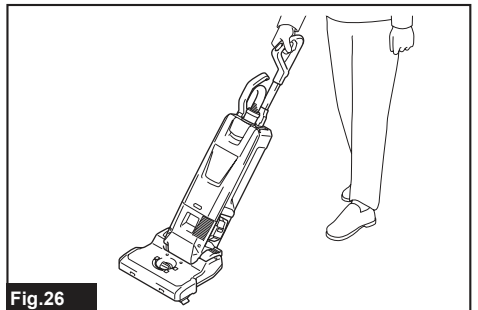


Fig.26

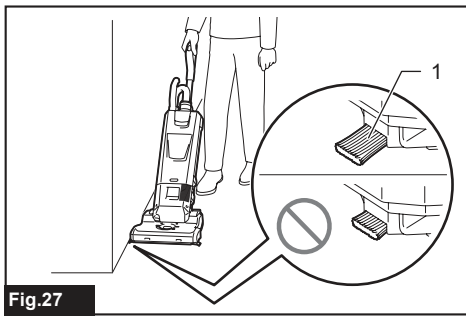


Fig.27

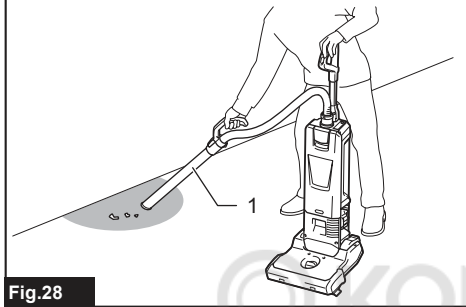


Fig.28



Fig.29

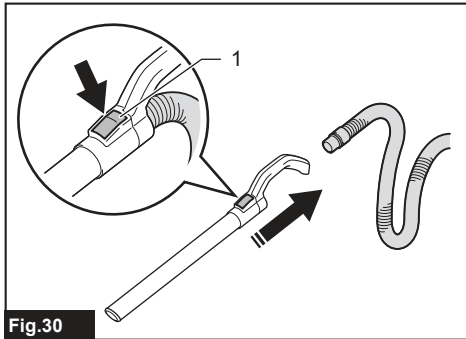


Fig.30

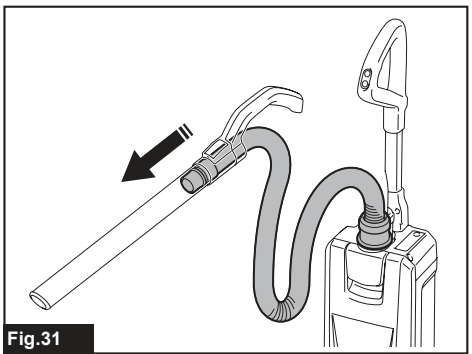


Fig.31

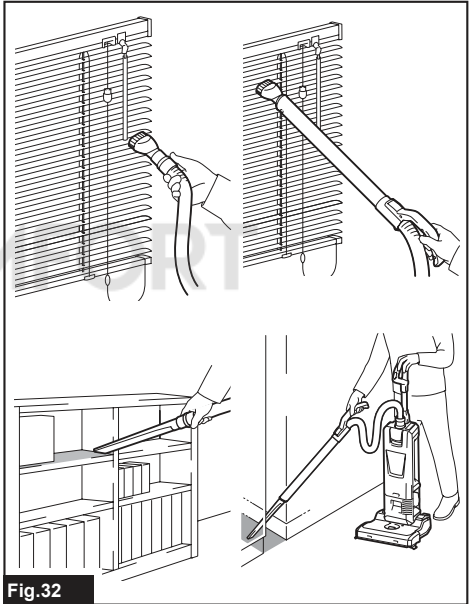


Fig.32

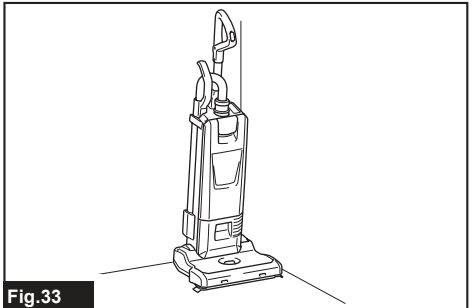


Fig.33

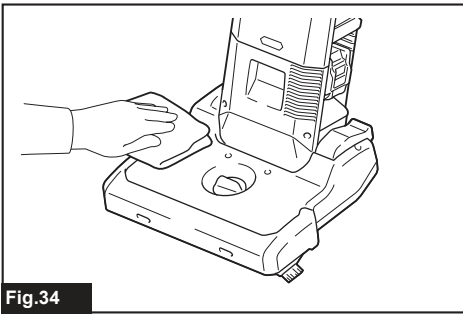


Fig.34

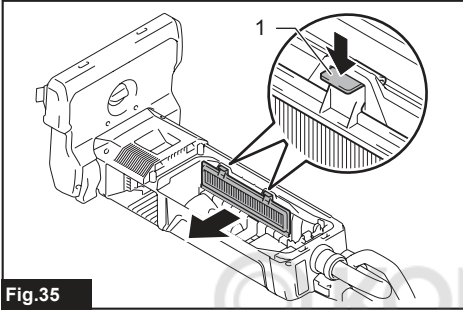


Fig.35

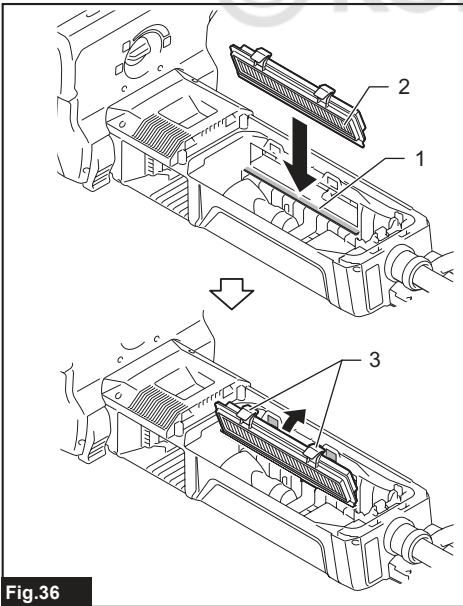


Fig.36

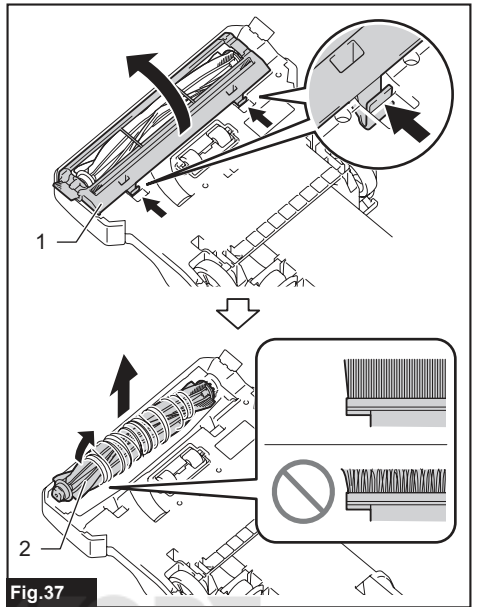


Fig.37

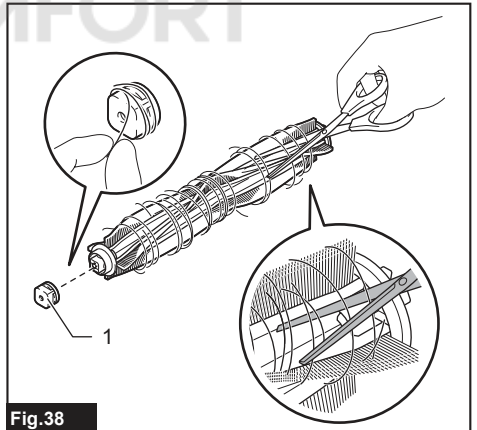


Fig.38

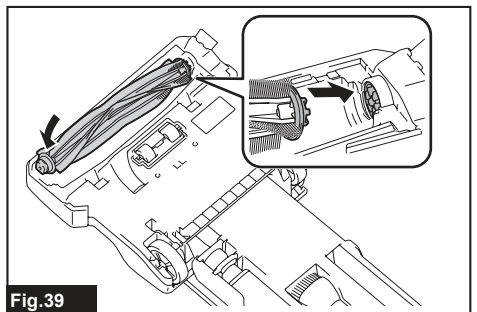


Fig.39

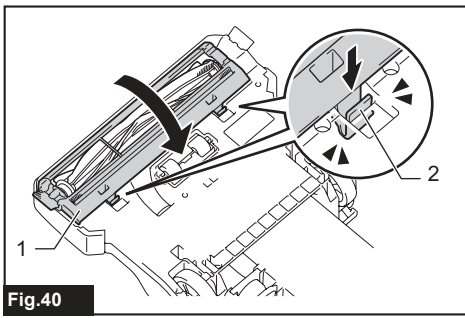


Fig.40

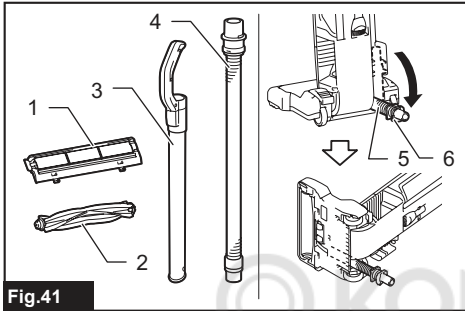


Fig.41

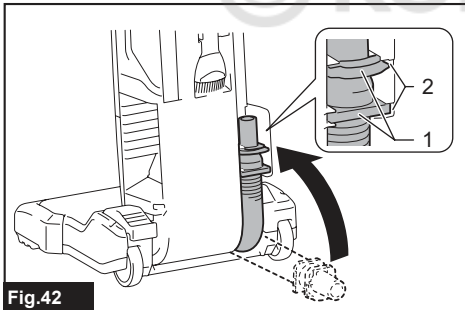


Fig.42

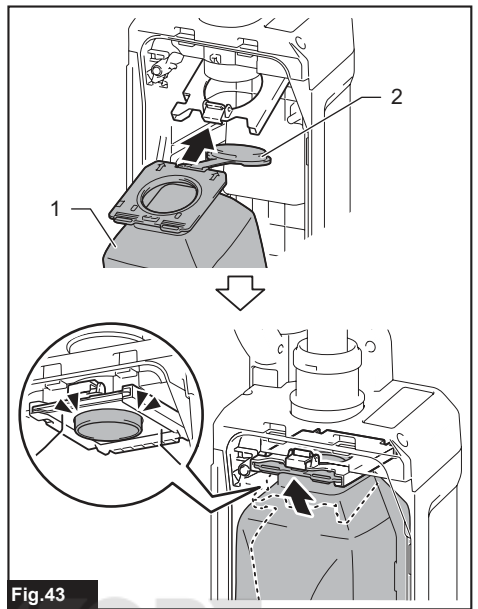


Fig.43

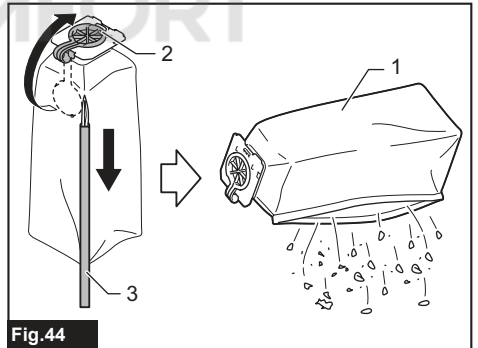


Fig.44

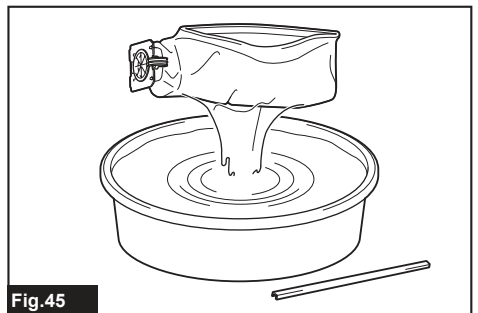


Fig.45

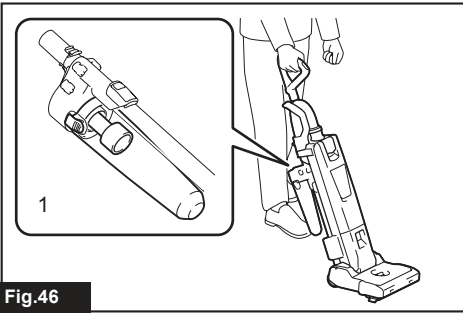


Fig.46

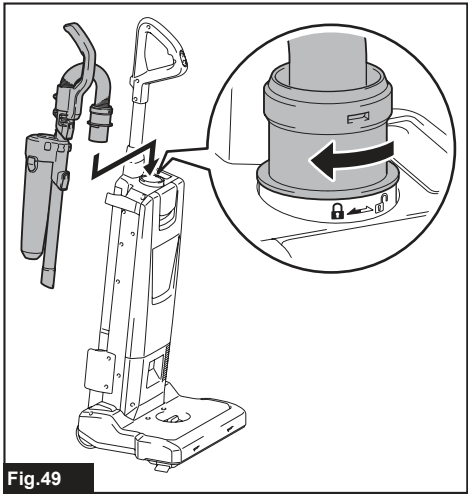


Fig.49

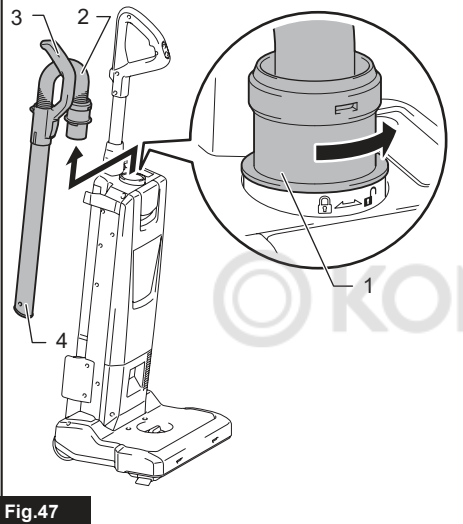


Fig.47

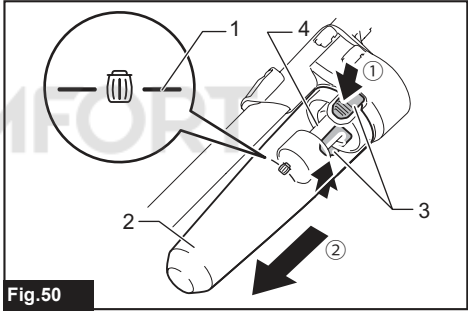


Fig.50

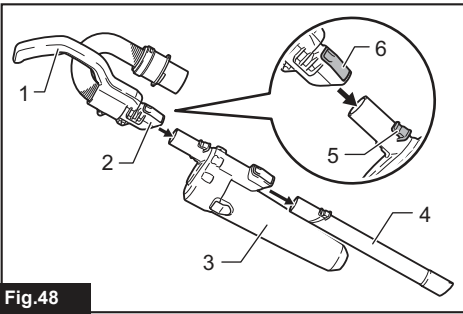


Fig.48

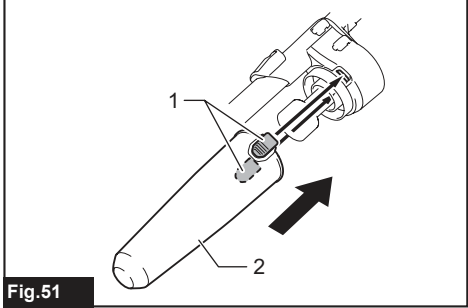


Fig.51

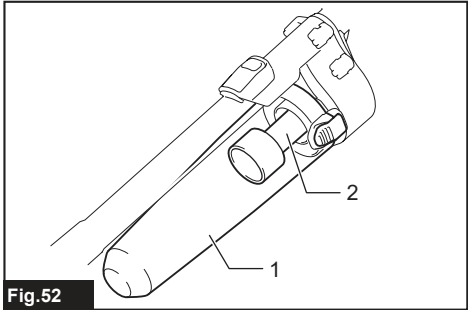


Fig.52

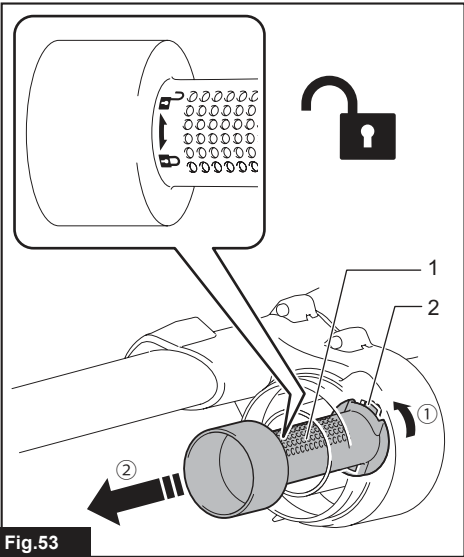


Fig.53

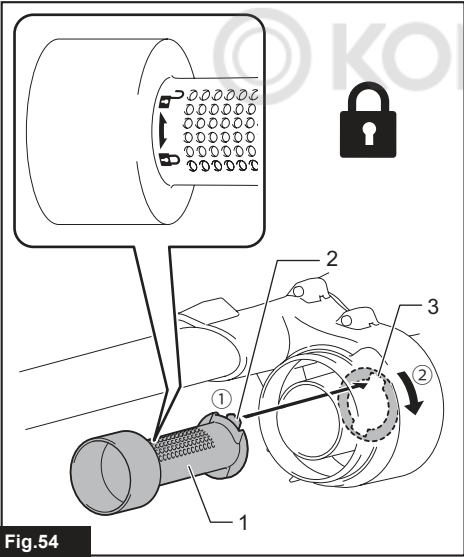


Fig.54

WARNING

- This machine is not intended for use by persons including children with reduced physical, sensory or mental capabilities, or lack of experience and knowledge.
- Children should be supervised to ensure that they do not play with the cleaner.
- See the chapter "SPECIFICATIONS" for the type reference of the battery.
- See the section "Installing or removing battery cartridge" for how to remove or install the battery.
- When disposing the battery cartridge, remove it from the tool and dispose of it in a safe place. Follow your local regulations relating to disposal of battery.
- If the tool is not used for a long period of time, the battery must be removed from the tool.
- Do not short the battery cartridge.
- See the chapter "MAINTENANCE" for the appropriate details of precautions during user maintenance.

SPECIFICATIONS

Model:	VC010G
Maximum air volume ^{*1}	1.8 m ³ /min
Vacuum ^{*1}	15 kPa
Capacity	5 L
Dimensions (L x W x H)	326 mm x 381 mm x 1,146 mm
Rated voltage	D.C. 36 V - 40 V max
Net weight	8.0 - 9.2 kg

^{*1} The value is measured by our original method.

- Due to our continuing program of research and development, the specifications herein are subject to change without notice.
- Specifications may differ from country to country.
- The weight includes accessories (round brush, corner nozzle) and battery cartridge(s). The lightest and heaviest combination weight of the appliance and battery cartridge(s) are shown in the table.

Applicable battery cartridge and charger

Battery cartridge	BL4020 / BL4025 / BL4040 / BL4040F / BL4050F / BL4080F
Charger	DC40RA / DC40RB / DC40RC / DC40WA

- Some of the battery cartridges and chargers listed above may not be available depending on your region of residence.

⚠ WARNING: Only use the battery cartridges and chargers listed above. Use of any other battery cartridges and chargers may cause injury and/or fire.

Symbols

The followings show the symbols which may be used for the equipment. Be sure that you understand their meaning before use.



Read instruction manual.



Take particular care and attention.



A representative battery applicable to this product.



Only for EU countries
 Due to the presence of hazardous components in the equipment, waste electrical and electronic equipment, accumulators and batteries may have a negative impact on the environment and human health. Do not dispose of electrical and electronic appliances or batteries with household waste!
 In accordance with the European Directive on waste electrical and electronic equipment and on accumulators and batteries and waste accumulators and batteries, as well as their adaptation to national law, waste electrical equipment, batteries and accumulators should be stored separately and delivered to a separate collection point for municipal waste, operating in accordance with the regulations on environmental protection.
 This is indicated by the symbol of the crossed-out wheeled bin placed on the equipment.

NOTE: The declared vibration total value(s) has been measured in accordance with a standard test method and may be used for comparing one tool with another.
NOTE: The declared vibration total value(s) may also be used in a preliminary assessment of exposure.

⚠WARNING: The vibration emission during actual use of the power tool can differ from the declared value(s) depending on the ways in which the tool is used especially what kind of workpiece is processed.
⚠WARNING: Be sure to identify safety measures to protect the operator that are based on an estimation of exposure in the actual conditions of use (taking account of all parts of the operating cycle such as the times when the tool is switched off and when it is running idle in addition to the trigger time).

Intended use

The appliance is intended for collecting dry dust. The appliance is suitable for commercial use, for example in hotels, schools, hospitals, factories, shops, offices and rental businesses.

Declarations of Conformity

For European countries only
 The Declarations of conformity are included in Annex A to this instruction manual.

Noise

The typical A-weighted noise level determined according to IEC60335-2-69:
 Sound pressure level (L_{pA}) : 70 dB(A) or less
 Uncertainty (K) : 2.5 dB (A)
 The noise level under working may exceed 80 dB (A).

SAFETY WARNINGS

Cordless vacuum cleaner safety warnings

NOTE: The declared noise emission value(s) has been measured in accordance with a standard test method and may be used for comparing one tool with another.
NOTE: The declared noise emission value(s) may also be used in a preliminary assessment of exposure.

⚠WARNING: IMPORTANT! READ CAREFULLY all safety warnings and all instructions BEFORE USE. Failure to follow the warnings and instructions may result in electric shock, fire and/or serious injury.

⚠WARNING: Wear ear protection.
⚠WARNING: The noise emission during actual use of the power tool can differ from the declared value(s) depending on the ways in which the tool is used especially what kind of workpiece is processed.
⚠WARNING: Be sure to identify safety measures to protect the operator that are based on an estimation of exposure in the actual conditions of use (taking account of all parts of the operating cycle such as the times when the tool is switched off and when it is running idle in addition to the trigger time).

1. **Before use, make sure that this cleaner must be used by people who have been adequately instructed on the use of this cleaner.**
2. **Do not use without filter bag and/or filters in place. Replace a damaged filter immediately.**
3. **AVOID UNINTENTIONAL STARTING. Be sure switch is OFF when installing battery(ies).**
4. **Do not attempt to pick up flammable materials, fireworks, lighted cigarettes, hot ashes, hot metal chips, sharp materials such as razors, needles, broken glass or the like.**
5. **NEVER USE THE CLEANER IN THE VICINITY OF GASOLINE, GAS, PAINT, ADHESIVES OR OTHER HIGHLY EXPLOSIVE SUBSTANCES. The switch emits sparks when turned ON and OFF. And so does the motor commutator during operation. A dangerous explosion may result.**
6. **This cleaner is not suitable for picking up hazardous dust.**
7. **Never vacuum up toxic, carcinogenic, combustible or other hazardous materials such as asbestos, arsenic, barium, beryllium, lead, pesticides, or other health endangering materials.**

Vibration

The vibration total value (tri-axial vector sum) determined according to IEC60335-2-69:
 Vibration emission ($a_{h,M}$) : 2.5 m/s² or less
 Uncertainty (K) : 1.5 m/s²

8. Do not vacuum foam like carpet cleaning agent, etc. It may cause explosion or fire.
9. Do not use outdoors or on wet surfaces.
10. For Finland, this machine is not to be used outdoors at low temperature.
11. Do not use the appliance close to heat sources (stoves, etc.).
12. Do not block suction inlet/outlet/cooling vents. These vents permit cooling of the motor. Blockage should be carefully avoided otherwise the motor will burn out due to a lack of ventilation.
13. Do not fold, tug or step on the hose.
14. Stop the cleaner immediately if you notice poor performance or anything abnormal during operation.
15. REMOVE THE BATTERY(IES). When not in use, before servicing, and when changing accessories.
16. Clean and service the cleaner immediately after each use to keep it in optimum operating condition.
17. MAINTAIN THE CLEANER WITH CARE. Keep the cleaner clean for better and safer performance. Follow instructions for changing accessories. Keep handles dry, clean, and free from oil and grease.
18. CHECK DAMAGED PARTS. Before further use of the cleaner, a guard or other part that is damaged should be carefully checked to determine that it will operate properly and perform its intended function. Check for alignment of moving parts, binding of moving parts, breakage of parts, mounting, and any other conditions that may affect its operation. A guard or other part that is damaged should be properly repaired or replaced by an authorized service center unless otherwise indicated elsewhere in this instruction manual. Have defective switches replaced by authorized service center. Don't use the cleaner if switch does not turn it on and off.
19. REPLACEMENT PARTS. When servicing, use only identical replacement parts.
20. When not in use, always store the cleaner indoors.
21. Be kind to your cleaner. Rough handling can cause breakage of even the most sturdily built cleaner.
22. Do not attempt to clean the exterior or interior with benzene, thinner or cleaning chemicals. Cracks and discoloration may be caused.
23. Do not use cleaner in an enclosed space where flammable, explosive or toxic vapors are given off by oil-based paint, paint-thinner, gasoline, some mothproofing substances, etc., or in areas where flammable dust is present.
24. Do not operate the cleaner or any tool while under the influence of drugs or alcohol.
25. Wear appropriate protective equipment such as a mask depending on the usage environment.
26. This machine is not intended for use by persons including children with reduced physical, sensory or mental capabilities, or lack of experience and knowledge.
27. Children should be supervised to ensure that they do not play with the cleaner.
28. Never handle battery(ies) and cleaner with wet hands.
29. Use extreme caution when cleaning on stairs.
30. Do not use the cleaner on unstable or tilted locations to avoid it falling off resulting in injury or damage.
31. Keep proper footing and balance at all times.
32. Do not use the cleaner as a stool or work bench. The machine may fall down and may result in personal injury.
33. Keep all parts of your body and clothing away from the openings and moving part like the rotating brushroll. Otherwise they may be caught in the appliance and cause injury.

Battery tool use and care

1. Recharge only with the charger specified by the manufacturer. A charger that is suitable for one type of battery pack may create a risk of fire when used with another battery pack.
2. Use power tools only with specifically designated battery packs. Use of any other battery packs may create a risk of injury and fire.
3. When battery pack is not in use, keep it away from other metal objects, like paper clips, coins, keys, nails, screws or other small metal objects, that can make a connection from one terminal to another. Shorting the battery terminals together may cause burns or a fire.
4. Under abusive conditions, liquid may be ejected from the battery; avoid contact. If contact accidentally occurs, flush with water. If liquid contacts eyes, additionally seek medical help. Liquid ejected from the battery may cause irritation or burns.
5. Do not use a battery pack or tool that is damaged or modified. Damaged or modified batteries may exhibit unpredictable behaviour resulting in fire, explosion or risk of injury.
6. Do not expose a battery pack or tool to fire or excessive temperature. Exposure to fire or temperature above 130 °C may cause explosion.
7. Follow all charging instructions and do not charge the battery pack or tool outside the temperature range specified in the instructions. Charging improperly or at temperatures outside the specified range may damage the battery and increase the risk of fire.

SAVE THESE INSTRUCTIONS.

⚠WARNING: DO NOT let comfort or familiarity with product (gained from repeated use) replace strict adherence to safety rules for the subject product. MISUSE or failure to follow the safety rules stated in this instruction manual may cause serious personal injury.

Important safety instructions for battery cartridge

1. Before using battery cartridge, read all instructions and cautionary markings on (1) battery charger, (2) battery, and (3) product using battery.
2. Do not disassemble or tamper with the battery cartridge. It may result in a fire, excessive heat, or explosion.
3. If operating time has become excessively shorter, stop operating immediately. It may result in a risk of overheating, possible burns and even an explosion.
4. If electrolyte gets into your eyes, rinse them out with clear water and seek medical attention right away. It may result in loss of your eyesight.
5. Do not short the battery cartridge:
 - (1) Do not touch the terminals with any conductive material.
 - (2) Avoid storing battery cartridge in a container with other metal objects such as nails, coins, etc.
 - (3) Do not expose battery cartridge to water or rain.

A battery short can cause a large current flow, overheating, possible burns and even a breakdown.

6. Do not store and use the tool and battery cartridge in locations where the temperature may reach or exceed 50 °C (122 °F).
7. Do not incinerate the battery cartridge even if it is severely damaged or is completely worn out. The battery cartridge can explode in a fire.
8. Do not nail, cut, crush, throw, drop the battery cartridge, or hit against a hard object to the battery cartridge. Such conduct may result in a fire, excessive heat, or explosion.
9. Do not use a damaged battery.
10. The contained lithium-ion batteries are subject to the Dangerous Goods Legislation requirements.

For commercial transports e.g. by third parties, forwarding agents, special requirement on packaging and labeling must be observed.

For preparation of the item being shipped, consulting an expert for hazardous material is required. Please also observe possibly more detailed national regulations.

Tape or mask off open contacts and pack up the battery in such a manner that it cannot move around in the packaging.
11. When disposing the battery cartridge, remove

it from the tool and dispose of it in a safe place. Follow your local regulations relating to disposal of battery.

12. Use the batteries only with the products specified by Makita. Installing the batteries to non-compliant products may result in a fire, excessive heat, explosion, or leak of electrolyte.
13. If the tool is not used for a long period of time, the battery must be removed from the tool.
14. During and after use, the battery cartridge may take on heat which can cause burns or low temperature burns. Pay attention to the handling of hot battery cartridges.
15. Do not touch the terminal of the tool immediately after use as it may get hot enough to cause burns.
16. Do not allow chips, dust, or soil stuck into the terminals, holes, and grooves of the battery cartridge. It may cause heating, catching fire, burst and malfunction of the tool or battery cartridge, resulting in burns or personal injury.
17. Unless the tool supports the use near high-voltage electrical power lines, do not use the battery cartridge near high-voltage electrical power lines. It may result in a malfunction or breakdown of the tool or battery cartridge.
18. Keep the battery away from children.

SAVE THESE INSTRUCTIONS.

CAUTION: Only use genuine Makita batteries. Use of non-genuine Makita batteries, or batteries that have been altered, may result in the battery bursting causing fires, personal injury and damage. It will also void the Makita warranty for the Makita tool and charger.

Tips for maintaining maximum battery life

1. Charge the battery cartridge before completely discharged. Always stop tool operation and charge the battery cartridge when you notice less tool power.
2. Never recharge a fully charged battery cartridge. Overcharging shortens the battery service life.
3. Charge the battery cartridge with room temperature at 10 °C - 40 °C (50 °F - 104 °F). Let a hot battery cartridge cool down before charging it.
4. When not using the battery cartridge, remove it from the tool or the charger.
5. Charge the battery cartridge if you do not use it for a long period (more than six months).

PARTS DESCRIPTION

► Fig.1

1	Handle	2	Switch plate	3	Pipe grip	4	Hose
5	Indication panel	6	Lever (for the dust box cover)	7	Dust box cover	8	Carrying handle

9	Battery cartridge	10	Adjusting lever	11	Corner nozzle	12	Round brush
13	Foot lever	14	Caster wheel	15	Side brush	16	Suction hose
17	Joint	18	Aluminum pipe	19	Pipe holder	20	Lamp
21	Brushroll	22	Bottom plate	23	Mode change button	24	ON / OFF button
25	Indicator of operating mode	26	Indicator of excess level of dust	27	Indicator of brushroll error	28	Indicator for remaining battery capacity
29	Battery check / lamp button	-	-	-	-	-	-

ASSEMBLY

CAUTION: Always be sure that the tool is switched off and the battery cartridge is removed before carrying out any work on the tool.

CAUTION: Always wear dust mask during assembly or maintenance.

Handle connecting

1. Insert the handle pole fully to the cleaner body as shown in the figure.
 2. Close the lock latch.
- Fig.2: 1. Handle pole 2. Red marking 3. Lock latch

NOTICE: Insert the handle fully until the red marking cannot be seen.

Hose connecting

Insert the hose into the mounting port of the appliance and turn the hose until it locks.

- Fig.3: 1. Mounting port

Pipe connecting

Insert the tip of the aluminum pipe to the joint, and then attach the aluminum pipe to the pipe holder.

- Fig.4: 1. Joint 2. Pipe holder

NOTICE: Insert the aluminum pipe in correct direction as shown in figure. Otherwise the pipe holder will not be locked and the aluminum pipe may come off.

- Fig.5

Installing or removing battery cartridge

CAUTION: Always switch off the appliance before installing or removing the battery cartridge.

CAUTION: Hold the cleaner and the battery cartridge firmly when installing or removing the battery cartridge. Failure to hold the cleaner and the battery cartridge firmly may cause them to slip off your hands and result in damage to the cleaner and battery cartridge and a personal injury.

CAUTION: Be careful not to pinch your fingers when installing the battery cartridge. Failure to do so may cause personal injury.

CAUTION: Do not install/remove the battery cartridge with wet hands. There is a risk of electric shock.

Align the tongue on the battery cartridge with the groove in the housing and slip it into place. Insert it all the way until it locks in place with a little click.

- Fig.6: 1. Battery cartridge 2. Button

To remove the battery cartridge, take it out from the appliance while sliding up the button in front of the cartridge.

CAUTION: Always install the battery cartridge fully. If not, it may accidentally fall out of the appliance, causing injury to you or someone around you.

CAUTION: Do not install the battery cartridge forcibly. If the cartridge does not slide in easily, it is not being inserted correctly.

Installing the filter bag

CAUTION: Do not use a damaged filter bag. Always use the vacuum cleaner with the filter bag properly installed. Otherwise the vacuumed dust or particles may be exhausted from the cleaner and they may cause respiratory disease to the operator.

Install the filter bag before using cleaner.

Filter bag is a throw-away type. Throw away the entire filter bag without emptying when it has become full.

NOTICE: When the filter bag is already full or clogged, replace with new one. Continuous use with the filter bag full or clogged results in reduced suction power.

NOTICE: To prevent dust from getting into the motor:

- Make sure that the filter bag is installed before use.
- Do not use a broken or ripped bag.

Otherwise the motor may be broken.

NOTICE: Do not fold the cardboard at its opening when installing the filter bag.

NOTICE: The filter bag for the cleaner is an important component for maintaining the appliance performance. Using non-genuine filter bag may cause smoke or ignition.

NOTE: When the filter bag is not installed in the appliance, the dust box cover does not close completely.

NOTE: A reusable dust bag is preinstalled in some countries and regions. You can follow the same installation/uninstallation steps as for the filter bag.

1. Unlock the lever and open the dust box cover.
▶ Fig.7: 1. Lever 2. Dust box cover
2. Unfold the filter bag fully.
▶ Fig.8
3. Open the latch and insert the filter bag into the slot on the holder so that the side with the \triangle mark enters first.
▶ Fig.9: 1. Latch 2. Slot 3. Filter bag 4. Holder
▶ Fig.10: 1. Marking 2. Slit

NOTE: Make sure that only the marking on the cardboard can be seen through the slit of the holder.

4. Hook the latch of the holder.
▶ Fig.11: 1. Latch
5. Unfold the filter bag if it is folded.
▶ Fig.12
6. Lock the dust box cover securely.

CAUTION: Be careful not to pinch your fingers when hooking the latch, and when closing the dust box cover.

Removing the filter bag

CAUTION: Handle the filter bag softly. Otherwise foreign objects are blown into eyes, it may result in personal injury.

Replace the filter bag when it becomes full or clogged. Open the dust box cover and open the latch, then take out the filter bag.

- ▶ Fig.13: 1. Latch

Pull the strip on the side of the opening to shut the filter bag and dispose of the entire filter bag.

- ▶ Fig.14: 1. Strip

NOTICE: Do not reuse a filter bag. The filter bag is designed for single-use purposes. Using a filter bag repeatedly may cause clogging of the filter and result in damage to the appliance.

FUNCTIONAL DESCRIPTION

CAUTION: Always be sure that the appliance is switched off and the battery cartridge is removed before adjusting or checking function on the appliance.

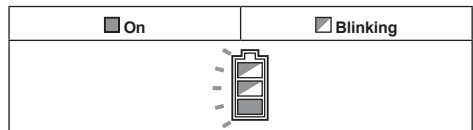
Appliance / battery protection system

The appliance is equipped with an appliance/battery protection system. This system automatically cuts off power to the motor to extend appliance and battery life. The appliance will automatically stop during operation if the appliance or battery is placed under one of the following conditions:

Overload protection

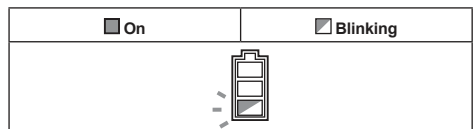
When the appliance is operated in a manner that causes it to draw an abnormally high current, the appliance automatically stops. In this situation, turn the appliance off and stop the application that caused the appliance to become overloaded. Then turn the appliance on to restart.

Overheat protection



When the appliance is overheated, the appliance stops automatically, and the battery indicator blinks about 60 seconds. In this situation, let the appliance cool down before turning the appliance on again.

Overdischarge protection



When the battery capacity becomes low, the appliance stops automatically, and the battery indicator blinks about 60 seconds. If the product does not operate even when the switches are operated, remove the battery from the appliance and charge the battery.

Indicating the remaining battery capacity

Press the check button on the battery cartridge to indicate the remaining battery capacity. The indicator lamps light up for a few seconds.

► **Fig.15:** 1. Indicator lamps 2. Check button

Indicator lamps			Remaining capacity
Lighted	Off	Blinking	
■	□	▩	75% to 100%
■ ■ ■ ■			
■ ■ ■	□		50% to 75%
■ ■	□ □		25% to 50%
■	□ □ □		0% to 25%
▩	□ □ □ □		Charge the battery.
■ ■ □ □	□ □		The battery may have malfunctioned.
□ □ ■ ■	↑ ↓		

NOTE: Depending on the conditions of use and the ambient temperature, the indication may differ slightly from the actual capacity.

NOTE: The first (far left) indicator lamp will blink when the battery protection system works.

Indication panel

► **Fig.16:** 1. Operating mode 2. Excess level of dust 3. Brushroll error 4. Remaining battery capacity 5. Battery check / lamp button

Operating mode

To change the operating mode, refer to the section for switch action.

Excess level of dust

If this indicator lights up, replace the filter bag. (Refer the section on removing the filter bag.)

NOTE: This indicator may not work depending on the usage environment.

NOTE: The indicator automatically goes out approximately one minute after the appliance is switched off. If you clear the clogging of the filter bag and restart the appliance, the indicator goes out even within one minute.

Brushroll error

Blinking	The brushroll is under high load for some reasons.
On	The brushroll is stopped by abnormal reason.





⚠WARNING: Immediately switch off the appliance when this lamp lights up during operation. Otherwise the motor malfunction may occur and a fire may be caused.

NOTE: The lamp may blink if the height of the brushroll is too low against the surface of the carpet. In that case, adjust the height of the brushroll.

Remaining battery capacity

During operation, press the battery check / lamp button to indicate the remaining battery capacity.

► **Fig.17**

Battery indicator status			Remaining battery capacity
On	Off	Blinking	
			50% to 100%
			20% to 50%
			0% to 20%
			Charge the battery

Battery check / lamp button

The following operations can be performed.

- Simply press the button to check the remaining battery capacity.
- During operation, press and hold the button to turn on / off the lamps.

Switch action

► **Fig.18:** 1. Mode change button 2. ON / OFF button

Turning the appliance on / off

Press the ON / OFF button to turn the appliance on and off.

⚠CAUTION: Always put the head of the appliance on the floor when turning on the appliance. Otherwise an accident due to entanglement may occur and cause a personal injury.

Changing operating mode

There are the following three operating modes:

- Low noise level

2. Normal

3. High

To change the operating mode, press the mode change button. The operating mode can be changed even when the appliance is turned off. The appliance will start in the mode you set.

NOTE: The cleaner starts in the same mode as the last operation. If you remove the battery while the motor is running after the shutdown, the cleaner may not start in the same mode as the last operation.

Turning lamp on / off

CAUTION: Do not look in the light or see the source of light directly.

The appliance is equipped with the lamps.

See the paragraph of the battery check / lamp button for operation.

► Fig.19: 1. Lamp

Foot lever

CAUTION: Always lock the appliance in upright position when you let go of the handle. Otherwise the appliance may accidentally fall and cause injury.

CAUTION: Be careful not to pinch your fingers between the main body and the head of the appliance.

To unlock the upright position of the appliance, step on the foot lever and pull the handle backward.

The range of motion is 90 degrees from the upright position.

► Fig.20: 1. Foot lever

To lock the appliance in upright position, raise up the handle forward until the foot lever locks the position with click.

► Fig.21

CAUTION: Be sure to unlock the foot lever before operating. Rough handling may cause breakage of the parts.


► Fig.22



NOTE: While the appliance is in the upright position, the brushroll stops rotating.

Adjusting the height of the brushroll

CAUTION: Always make sure that the adjusting lever comes into the position properly before operation.

The height of the brushroll can be adjusted in 5 steps. Turn the adjusting lever to your desired position by referring to the following table.

Adjusting lever position	Brushroll height
A 	The brushroll stays positioned to the top from the floor, which is suitable for cleaning long-haired carpets.

Adjusting lever position	Brushroll height
B 	The brushroll is positioned lower to the floor, which is suitable for cleaning hard floors and short-haired carpets.
C 	The brushroll extends to be positioned down to the floor, which is effective for deep cleaning carpets and removing dirt, dust and particles embedded deep in the fibers.

► Fig.23: 1. Adjusting lever

NOTE: The brushroll may not rotate if the height of the brushroll is too low against the surface of the carpet.

Carrying handle

When carrying the appliance, push the appliance with the caster wheels only, or carry it by holding the carrying handle(s).

► Fig.24

CAUTION: When carrying the appliance, lock the appliance in upright position. Otherwise falling accident may occur.

CAUTION: Do not carry the appliance with anything other than the carrying handle. Otherwise falling accident may occur or unintentional starting may cause an injury.

► Fig.25

OPERATION

CAUTION: Do not pull out the handle pole from the appliance during operation. Doing so lose control of the appliance and may result serious injury.

CAUTION: Do not put your hand or leg under the appliance during operation. Otherwise pinching accident may occur.

CAUTION: Do not use the appliance in insufficient lighting. Working in poor light may contribute to an unforeseen accident.

Normal cleaning operation

1. Hold the handle, and then unlock the upright position.
2. Turn on the appliance. Clean a floor.

► Fig.26

Using the side brush

The side brush is convenient for cleaning the corner of a wall.

If the side brush gets short, take the appliance to the Makita service center for replacement.

► Fig.27: 1. Side brush

Operation with accessories

CAUTION: Keep holding the handle when using accessories. Otherwise the appliance may accidentally fall and cause injury.

NOTICE: When using accessories, lock the appliance in upright position. Otherwise the rotation of the brushroll may damage the floor.

Using the aluminum pipe

The aluminum pipe is suitable for cleaning tight quarters, or high places.

► Fig.28: 1. Aluminum pipe

Using the hose

The hose is suitable for cleaning near your hands.

► Fig.29: 1. Hose

To use the hose, pull out the hose from the aluminum pipe while pushing the lever.

► Fig.30: 1. Lever

To install the hose, insert the hose into the aluminum pipe until it clicks.

► Fig.31

Using the attachments

► Fig.32

To install the attachment, twist and insert it securely to the aluminum pipe or the hose. To disconnect, twist and remove it.

MAINTENANCE

CAUTION: Always be sure that the appliance is switched off and the battery cartridge is removed before attempting to perform inspection or maintenance.

NOTICE: Never use gasoline, benzine, thinner, alcohol or the like. Discoloration, deformation or cracks may result.

To maintain product SAFETY and RELIABILITY, repairs, any other maintenance or adjustment should be performed by Makita Authorized or Factory Service Centers, always using Makita replacement parts.

Storage

When storing, remove the battery cartridge and store the appliance on level place in upright position.

► Fig.33

Cleaning the appliance body

From time to time wipe off the outside of the cleaner (cleaner body) using a cloth dampened in soapy water.

► Fig.34

Cleaning the HEPA filter

CAUTION: Do not use the cleaner without a filter or continue to use dirty or damaged filter. Vacuumed dust or particles may be exhausted from the cleaner and they may cause respiratory disease to the operator.

NOTICE: To keep optimum suction power and clean exhaust, clean the filter periodically. If enough suction power is not obtained even after the cleaning, replace the filter with new one.

NOTICE: To prevent the filter from being damaged, do not use following tools and similar items for cleaning:

- Air duster
- High pressure washer
- Tools made of hard materials such as a wire brush

1. Open the dust box cover and take out the filter bag.

Release the hooks on the filter and remove the filter from the appliance body.

► Fig.35: 1. Hook

2. Beat the dust off from the filter. The filter can be washed with water. Rinse away the dust and particles on the filter every 1 or 2 months. After that, dry the filter completely in a shaded and well-ventilated place to prevent unpleasant odor or malfunctions.

3. To install the filter, insert the side without the hooks into the groove, then push in the filter until the hooks are secured with a click.

► Fig.36: 1. Groove 2. HEPA filter 3. Hook

Cleaning the brushroll

1. Remove the bottom plate, and then remove the brushroll.

If the hair of the brushroll gets short, ask the Makita service center for new one.

Operating the appliance with the short hair brushroll results in poor dust collecting.

► Fig.37: 1. Bottom plate 2. Brushroll

2. Remove threads and hairs from the brushroll using scissors.

Remove the cap and clean debris.

► Fig.38: 1. Cap

3. Install the cap, brushroll, and bottom plate in reverse order.

► Fig.39

CAUTION: Place the bottom plate back in the position securely until the two lock levers click in place. If the appliance is operated without the bottom plate, the brushroll may come off, resulting in injury.

► Fig.40: 1. Bottom plate 2. Lock lever

NOTICE: Always attach the brushroll. Operating the appliance without the brushroll results in poor dust collecting.

How to clear the clog

NOTICE: Do not operate the appliance with the intake flow path clogged. Continuous use with the intake flow path clogged results in reduced suction power.

1. Remove the bottom plate, and then remove the brushroll.
2. Remove the aluminum pipe from the appliance and from the hose.
3. Turn the hose counterclockwise, and then remove the hose from the appliance.
4. Remove the suction hose by pulling the tab.
▶ **Fig.41:** 1. Bottom plate 2. Brushroll 3. Aluminum pipe 4. Hose 5. Suction hose 6. Tab

5. Inspect the intake flow path of air for the inside of the aluminum pipe and the hose, and the suction hose. Remove the debris from inside of them.

6. Align the tongue of the suction hose with the groove in the housing and slip it into place.

▶ **Fig.42:** 1. Tongue 2. Groove

7. Install the hose, aluminum pipe, brushroll, and bottom plate.

CAUTION: Install the hose, pipe firmly. Otherwise dust leakage may occur and cause injury.

Dust bag

Optional accessory

The dust bag can be used repeatedly by cleaning it out.

Installing and removing dust bag

The procedure of installing and removing the dust bag is same as the filter bag. Please refer to the section for installing the filter bag and removing the filter bag.

▶ **Fig.43:** 1. Dust bag 2. Rubber cap

NOTICE: When installing the dust bag, open the rubber cap first. Insert the dust bag with the rubber cap behind.

Emptying dust bag

1. Close the rubber cap to prevent dust from floating out.
2. Open the bag mouth by pulling the fastener out.
3. Empty the dust bag of its contents, tapping it lightly so as to remove particles adhering to the insides.
▶ **Fig.44:** 1. Dust bag 2. Rubber cap 3. Fastener

NOTICE: Empty the dust bag frequently. Too much dust will tear the bag easily.

Cleaning the dust bag

Regularly clean the dust bag with soap and water. Turn the dust bag inside out and remove the sticky dust. Wash lightly by hand and rinse well with water. Dry completely before installing to the vacuum cleaner.

▶ **Fig.45**

NOTICE: Wet dust bag lowers the vacuuming performance as well as the life of the motor.

NOTICE: When mounting the fastener on the dust bag, make sure that the bag mouth is securely closed.

CYCLONE ATTACHMENT

Optional accessory

▶ **Fig.46:** 1. Cyclone attachment

About the cyclone attachment

Using the cleaner with the cyclone attachment installed reduces the amount of dust that enters the filter bag, which helps to prevent the suction force from weakening. In addition, cleaning after use is also simple.

CAUTION: Always be sure that the tool is switched off and the battery cartridge is removed before carrying out any work on the tool. If the battery cartridge is left inserted, the cleaner may start unexpectedly and result in injury.

CAUTION: Clean the mesh filter of the cyclone attachment and the filter bag of the cleaner unit when they become clogged. Continued use in the clogged condition may result in heating or smoke.

NOTICE: When the cyclone attachment is attached, do not use the cyclone attachment in the horizontal or upward facing condition. Doing so may cause the mesh filter to become clogged.

NOTICE: Always use the cleaner with the filter bag installed, even when using the cyclone attachment. Using the cleaner without the filter bag installed may result in a motor malfunction.

NOTE: Check that the cyclone attachment, cleaner, and straight pipe are locked properly before use.

NOTE: Empty the dust case of the cyclone attachment and the filter bag of the cleaner when dust has accumulated. Continued use will result in weakened suction force.

Installing cyclone attachment

1. Turn the cuff on the hose counterclockwise and remove the hose, pipe grip, and aluminum pipe from the appliance.

▶ **Fig.47:** 1. Cuff 2. Hose 3. Pipe grip 4. Aluminum pipe

2. Turn the side of the stopper on the cyclone attachment upward, aligning the stopper with the groove

of the suction inlet. Lock the stopper by inserting the cyclone attachment until it clicks. Pull the cyclone attachment lightly to make sure it will not be removed. Install the straight pipe with the same procedure as the cyclone attachment.

- **Fig.48:** 1. Grip for cyclone attachment 2. Suction inlet 3. Cyclone attachment 4. Straight pipe for cyclone attachment 5. Stopper 6. Locking button

3. Install the cyclone attachment on the appliance, and then turn the cuff on the hose clockwise to fix it.

- **Fig.49**

Disposing of dust

When dust has accumulated up to the full line of the dust case, follow the procedure below and dispose of the dust.

1. Hold the dust case firmly, press and hold the two buttons, and remove the dust case.

- **Fig.50:** 1. Full line 2. Dust case 3. Button (two locations) 4. Mesh filter

2. Dispose of the dust inside the dust case and remove any dust and powder adhered to the surface of the mesh filter.

3. Insert the dust case all the way until the two buttons lock with a click.

- **Fig.51:** 1. Dust case 2. Button (two locations)

NOTE: Hold the cyclone attachment firmly when installing the dust case.

NOTE: Check that the cyclone attachment, cleaner, and straight pipe are locked properly before restarting operation.

NOTE: The indicator of excess level of dust on the cleaner will not light up when the dust case of the cyclone attachment becomes full.

NOTE: Under the following conditions, check whether dust has accumulated inside the filter bag of the cleaner or clogging in the air path has occurred. Clear the causes where necessary.

- If the suction performance does not improve after you have removed dust from the dust case and cleaned the mesh filter.
- If the indicator of excess level of dust on the cleaner continues to light up.

Cleaning

When the dust case becomes dirty or the mesh filter is clogged, remove and wash them with water. (Refer to "Disposing of dust" for the removal procedure.)

Dry the parts thoroughly before reinstallation and use.

- **Fig.52:** 1. Dust case 2. Mesh filter

When the mesh filter gets dirty badly, clean it in the following procedures.

1. Turn the mesh filter counterclockwise and remove it while the hooks are unlocked.

- **Fig.53:** 1. Mesh filter 2. Hook

2. Remove the dust on the mesh filter and then wash it with water. After that, dry it thoroughly.

3. Insert the mesh filter into the base while the hooks are aligned with the port. Turn the mesh filter clockwise until the hooks are locked with a click. Make sure that the mesh filter is installed securely.

- **Fig.54:** 1. Mesh filter 2. Hook 3. Port

TROUBLESHOOTING

Before asking for repairs, conduct your own inspection first. If you find a problem that is not explained in the manual, do not attempt to disassemble the machine. Instead, ask Makita Authorized Service Centers, always using Makita replacement parts for repairs.

Symptom	Probable cause	Remedy
Not working	The battery cartridge is installed improperly.	Install the battery cartridge as described in this manual.
	The battery cartridge is exhausted.	Charge the battery cartridge.
	The handle is installed improperly.	Install the handle firmly as described in this manual.
The brushroll does not rotate	The appliance is locked in upright position.	Unlock the upright position of the appliance.
	The indicator of the brushroll error is lighting.	Inspect that there is no entanglement around the brushroll (body, cap and joint).

Symptom	Probable cause	Remedy
Weak suction power	The indicator of excess level of dust is lighting.	Replace the filter bag. If the filter bag is not full, unfold the filter bag and shake it to clear the clogging.
	⇒If replacing the filter bag does not solve the problem...	Clean or replace the HEPA filter. Inspect that there is no debris clogged in the hose and pipe.
	Debris is entangled in the brushroll and the rotating speed is declined.	Inspect that there is no entanglement around the brushroll (body, cap, joint).
	The height of the brushroll is too high from the floor.	Lower the height of the brushroll.
	The hair of the brushroll has become short.	Replace the brushroll. Lower the height of the brushroll.
	The appliance is operating in low mode.	Change to the higher operating mode.
	The brushroll is not installed.	Install the brushroll.
	The pipe or the hose is installed improperly.	Install the pipe or the hose firmly.
Loud driving noise	The appliance is operating in high mode.	Change to the lower operating mode.
	Debris is entangled in the brushroll.	Inspect that there is no entanglement around the brushroll (body, cap and joint).
	The filter bag is filled with dust.	Replace the filter bag.
	⇒If replacing the filter bag does not solve the problem...	Clean or replace the HEPA filter. Inspect that there is no debris clogged in the hose and pipe.
The indicator of excess level of dust blinks after a little use	The filter bag is folded.	Unfold the entrance of the filter bag before setting it.
Lamp does not light	The lamp setting is off.	During operation, press and hold the battery check / lamp button to turn on the lamp.
The caster wheel is hard to move	Debris is entangled in the caster wheel.	Clean the debris on the caster wheel.

OPTIONAL ACCESSORIES

⚠ CAUTION: These accessories or attachments are recommended for use with your Makita tool specified in this manual. The use of any other accessories or attachments might present a risk of injury to persons. Only use accessory or attachment for its stated purpose.

If you need any assistance for more details regarding these accessories, ask your local Makita Service Center.

- Corner nozzle
- Round brush
- Cyclone attachment
- HEPA filter
- Filter bag
- Dust bag
- Makita genuine battery and charger

NOTE: Some items in the list may be included in the tool package as standard accessories. They may differ from country to country.

VARNING

- Denna maskin är inte avsedd för användning av personer med nedsatta fysiska, sensoriska eller mentala förmågor, eller som inte har nog med erfarenhet eller kunskap.
- Barn ska övervakas så att de inte leker med dammsugaren.
- Se batteriets typpreferens i kapitlet "SPECIFIKATIONER".
- Se i avsnittet "Montera eller demontera batterikassetten" hur du tar bort eller installerar batteriet.
- När batterikassetten ska kasseras måste den tas bort från verktyget och kasseras på ett säkert sätt. Följ lokala föreskrifter beträffande avfallshantering av batteriet.
- Om verktyget inte används under en lång tid måste batteriet tas bort från verktyget.
- Kortslut inte batterikassetten.
- Se uppgifter om lämpliga försiktighetsåtgärder vid användarunderhåll i kapitlet "UNDERHÅLL".

SPECIFIKATIONER

Modell:	VC010G
Maximal luftvolym ^{*1}	1,8 m ³ /min
Vakuum ^{*1}	15 kPa
Kapacitet	5 l
Dimensioner (L x B x H)	326 mm x 381 mm x 1146 mm
Märkspänning	36 V - 40 V likström max
Nettovikt	8,0 - 9,2 kg

^{*1} Värdet mäts med vår originalmetod.

- På grund av vårt pågående program för forskning och utveckling kan dessa specifikationer ändras utan föregående meddelande.
- Specifikationer kan skilja sig från land till land.
- Vikten inkluderar tillbehör (rund borste, hörnmunstycke) och batterikasset(er). Den lättaste och tyngsta vikt-kombinationen för apparaten och batterikasset(er) visas i tabellen.

Tillgänglig batterikasset och laddare

Batterikasset	BL4020 / BL4025 / BL4040 / BL4040F / BL4050F / BL4080F
Laddare	DC40RA / DC40RB / DC40RC / DC40WA

- Vissa av batterikassetterna och laddarna på listan ovan kanske inte finns tillgängliga i din region.

⚠ VARNING: Använd endast batterikassetter och laddare från listan ovan. Användning av andra batterikassetter och laddare kan orsaka personskada och/eller brand.

Symboler

Följande visar symbolerna som kan användas för utrustningen. Se till att du förstår innebörden innan användning.



Läs igenom bruksanvisningen.



Var extra försiktig och uppmärksam.



Ett representativt batteri som kan användas med den här produkten.



Gäller endast inom EU
P.g.a. förekomsten av farliga komponenter i utrustningen kan avfall innehållande elektrisk och elektronisk utrustning, ackumulatörer och batterier ha negativ inverkan på miljön och människors hälsa. Kassera inte elektriska och elektroniska apparater eller batterier ihop med hushållsavfall!
I enlighet med EU-direktiven om avfall som utgörs av eller innehåller elektrisk och elektronisk utrustning och om batterier och ackumulatörer och förbrukade batterier och ackumulatörer, och dess införlivande i nationell lagstiftning, bör förbrukad elektrisk och elektronisk utrustning, batterier och ackumulatörer förvaras separat och transporteras till en särskild uppsamlingsplats för kommunalt avfall, som drivs i enlighet med regelverket för miljöskydd. Detta anges av symbolen med den överkryssade soptunnan på hjul som sitter på utrustningen.

Avsedd användning

Apparaten är avsedd för insamling av torrt damm. Apparaten är avsedd för kommersiellt bruk, till exempel i hotell, skolor, sjukhus, fabriker, affärer, kontor och uthyringsrörelser.

Buller

Den normala bullernivån för A-belastning är bestämd enligt IEC60335-2-69:
Ljudtrycksnivå (L_{pA}): 70 dB (A) eller lägre
Måttolerans (K): 2,5 dB (A)

Bullernivån vid arbete kan överstiga 80 dB (A).

OBS: Det deklarerade bullervärdet har uppmätts i enlighet med standardtestmetoden och kan användas för jämförandet av en maskin med en annan.

OBS: Det deklarerade bulleremissionsvärdet kan också användas i en preliminär bedömning av exponering för vibration.

⚠ VARNING: Använd hörselskydd.

⚠ VARNING: Bulleremissionen under faktisk användning av maskinen kan skilja sig från det deklarerade värdet, beroende på hur maskinen används och särskilt vilken typ av arbetsstycke som behandlas.

⚠ VARNING: Var noga med att identifiera säkerhetsåtgärder för att skydda användaren, vilka är grundade på en uppskattning av graden av exponering för vibrationer under de faktiska användningsförhållandena, (ta, förutom avtryckartiden, med alla delar av användarcykeln i beräkningen, som till exempel tiden då maskinen är avstängd och när den går på tomgång).

Vibration

Det totala vibrationsvärdet (treaxlad vektorsumma) bestämt enligt IEC60335-2-69:
Vibrationsemission ($a_{h,M}$): 2,5 m/s² eller lägre
Måttolerans (K): 1,5 m/s²

OBS: Det deklarerade totala vibrationsvärdet har uppmätts i enlighet med standardtestmetoden och kan användas för jämförandet av en maskin med en annan.

OBS: Det deklarerade totala vibrationsvärdet kan också användas i en preliminär bedömning av exponering för vibration.

⚠ VARNING: Vibrationsemissionen under faktisk användning av maskinen kan skilja sig från det deklarerade värdet, beroende på hur maskinen används och särskilt vilken typ av arbetsstycke som behandlas.

⚠ VARNING: Var noga med att identifiera säkerhetsåtgärder för att skydda användaren, vilka är grundade på en uppskattning av graden av exponering för vibrationer under de faktiska användningsförhållandena, (ta, förutom avtryckartiden, med alla delar av användarcykeln i beräkningen, som till exempel tiden då maskinen är avstängd och när den går på tomgång).

Försäkran om överensstämmelse

Gäller endast inom EU

Försäkran om överensstämmelse ingår i bilaga A till denna bruksanvisning.

SÄKERHETSVARNINGAR

Säkerhetsvarningar för sladdlös ryggdamsugare

⚠ VARNING: VIKTIGT! LÄS NOGGRANT igenom alla säkerhetsvarningar och anvisningar FÖRE ANVÄNDNING. Underlåtenhet att följa varningar och instruktioner kan leda till elstötar, brand och/eller allvarliga personskador.

1. Före användning bör du se till att denna dammsugare endast används av personer som har fått korrekta instruktioner om hur dammsugaren ska användas.
2. Använd inte utan filterpåse och/eller filter monterade på plats. Byt genast ut ett skadat filter.
3. UNDVIK OAVSIKTLIG START. Se till att strömbrytaren är AVSTÄNGD när batteriet/batterierna sätts i.
4. Försök inte att suga upp lättantändliga material, fyrverkerier, tända cigaretter, het aska, heta metallflisor, vassa material som rakblad, nålar, krossat glas eller liknande.
5. ANVÄND ALDRIG DAMMSUGAREN I NÄRHETEN AV BENSIN, GAS, FÄRG, LIM ELLER ANDRA HÖGEXPLOSIVA ÄMNEN. Strömbrytaren avger gnistor när den slås PÅ och AV. Det gör även motorkommutatorn under användning. En farlig explosion kan uppstå.
6. Denna dammsugare är inte lämplig att suga upp farligt damm med.
7. Sug aldrig upp giftiga, cancerframkallande,

- brännbara eller andra farliga material som asbest, arsenik, barium, beryllium, bly, bekämpningsmedel eller annat hälsofarliga material.
8. Dammsug inte skum som till exempel matt-rengöringsmedel. Det kan orsaka explosion eller brand.
 9. Använd inte utomhus eller på våta ytor.
 10. I Finland ska inte denna maskin användas utomhus i låg temperatur.
 11. Använd inte apparaten nära värmekällor (spisar osv.).
 12. Blockera inte suginlopp/utlopp/ventilationshål. Dessa ventiler kylar ner motorn. Var noggrann med att inte blockera dessa, då motorn annars bränns ut p.g.a. brist på ventilation.
 13. Slangen får inte vikas, ryckas i eller trampas på.
 14. Stäng genast av dammsugaren om den suger dåligt eller något onormalt sker med den under användningen.
 15. **TA BORT BATTERIET/BATTERIERNÄ. När dammsugaren inte används, före service och vid byte av tillbehör.**
 16. Rengör och serva dammsugaren omedelbart efter varje användning för att hålla den i optimalt skick.
 17. **UNDERHÅLL DAMMSUGAREN MED OMSÖRG. Håll dammsugaren ren för bättre och säkrare användning. Följ anvisningarna för byte av tillbehör. Håll handtagen torra, rena och fria från olja och smuts.**
 18. **KONTROLLERA SKADADE DELAR. Före fortsatt användning av dammsugaren ska ett skadat skydd eller annan del som är skadad noggrant kontrolleras för att avgöra om den kommer att fungera korrekt och utföra det arbete som den är avsedd för. Kontrollera inriktningen och fästet för rörliga delar, om det finns trasiga delar, monteringen eller andra förhållanden som kan påverka användningen av dammsugaren. Ett skydd eller annan del som är skadad ska repareras ordentligt eller bytas ut av ett auktoriserat servicecenter om inte något annat anges i denna bruksanvisning. Låt ett auktoriserat servicecenter byta ut trasiga strömbrytare. Använd inte dammsugaren om strömbrytaren inte sätter på eller stänger av den.**
 19. **RESERVDELAR. Vid service ska endast identiska reservdelar användas.**
 20. Förvara alltid dammsugaren inomhus när den inte används.
 21. Ta hand om din dammsugare. Hård hantering kan orsaka skada även på den mest robust byggda dammsugaren.
 22. Försök inte att rengöra utsidan eller insidan med bensin, thinner eller rengörande kemikalier. Det kan orsaka sprickor och missfärgning.
 23. Använd inte dammsugaren i ett slutet rum där lättantändliga, explosiva eller giftiga ångor avges från oljebaserad färg, thinner, bensin, malbehandlingsmedel osv., eller i områden där lättantändligt damm finns.
 24. Använd inte dammsugaren eller annan maskin under påverkan av droger eller alkohol.
 25. Använd lämplig skyddsutrustning som t.ex. mask, beroende på användningsmiljön.
 26. Denna maskin är inte avsedd för användning av personer med nedsatta fysiska, sensoriska eller mentala förmågor, eller som inte har nog med erfarenhet eller kunskap.
 27. Barn ska övervakas så att de inte leker med dammsugaren.
 28. Hantera aldrig batterier eller dammsugare med blöta händer.
 29. Var mycket försiktig vid rengöring av trappor.
 30. Använd inte dammsugaren på instabila eller lutande platser för att undvika att den faller av och resulterar i personskada eller skada.
 31. Stå alltid stabilt och ha god balans hela tiden.
 32. Använd inte dammsugaren som sittplats eller arbetsbänk. Maskinen kan ramla omkull och orsaka personskada.
 33. Håll alla kroppsdelar och klädesplagg borta från öppningarna och rörliga delar som den roterande rullborsten. Annars kan de fastna i apparaten och orsaka personskada.
- Användning och underhåll av batteri**
1. Ladda endast med den batteriladdare som angetts av tillverkaren. En laddare som passar en viss typ av batterier kan skapa risk för brand när den används tillsammans med annat batteri.
 2. Använd endast maskiner tillsammans med tillhörande batterier. Om andra batterier används kan risken för personskada och brand öka.
 3. När batteriet inte används bör det hållas borta från andra metallföremål som till exempel gem, mynt, nycklar, spik, skruv eller andra små metallföremål som kan skapa anslutning från en terminal till en annan. Kortslutning av batteripolerna kan orsaka brännskador eller brand.
 4. Under hårda förhållanden kan det komma vätska ur batteriet. Undvik kontakt. Spola med vatten om kontakt ändå råkar uppstå. Om vätskan kommer i kontakt med ögonen bör läkare uppsökas. Vätska från batteriet kan orsaka irritation på huden eller ge brännskador.
 5. Använd inte ett batteripaket eller maskin som är skadat eller ändrat. Skadade eller ändrade batterier kan uppföra sig opålitligt, vilket kan leda till brand, explosion eller skaderisk.
 6. Utsätt inte batteripaketet eller maskiner för brand eller höga temperaturer. Exponering för brand eller temperaturer över 130 °C kan leda till explosion.
 7. Följ alla laddningsinstruktioner och ladda inte batteripaketet eller maskinen utanför det temperaturintervall som anges i instruktionerna. Felaktig laddning, eller vid temperaturer utanför det angivna intervallet, kan skada batteriet och öka risken för brand.

SPARA DESSA ANVISNINGAR.

⚠ VARNING: GLÖM INTE att också fortsättningsvis strikt följa säkerhetsanvisningarna för maskinen även efter att du blivit van att använda den. Vid **FELAKTIG HANTERING** av maskinen eller om inte säkerhetsanvisningarna i denna bruksanvisning följs kan följden bli allvarliga personskadorna.

Viktiga säkerhetsanvisningar för batterikassetten

1. Innan batterikassetten används ska alla instruktioner och varningsmärken på (1) batteriladdaren, (2) batteriet och (3) produkten läsas.
2. Montera inte isär eller mixtra med batterikassetten. Det kan leda till brand, överdriven värme eller explosion.
3. Om drifttiden blivit avsevärt kortare ska användningen avbrytas omedelbart. Det kan uppstå överhettning, brännskador och t o m en explosion.
4. Om du får elektrolyt i ögonen ska de sköljas med rent vatten och läkare uppsöks omedelbart. Det finns risk för att synen förloras.
5. Kortslut inte batterikassetten.
 - (1) Rör inte vid polerna med något strömförande material.
 - (2) Undvik att förvara batterikassetten tillsammans med andra metallobjekt som t.ex. spikar, mynt o.s.v.
 - (3) Skydda batteriet mot vatten och regn. En batterikortslutning kan orsaka ett stort strömflöde, överhettning, brand och maskinhaveri.
6. Förvara och använd inte verktyget och batterikassetten på platser där temperaturen kan nå eller överstiga 50 °C.
7. Bränn inte upp batterikassetten även om den är svårt skadad eller helt utsliten. Batterikassetten kan explodera i öppen eld.
8. Spika inte i, krossa, kasta, tappa eller slå batterikassetten mot hårda föremål. Dylåka händelser kan leda till brand, överdriven värme eller explosion.
9. Använd inte ett skadat batteri.
10. De medföljande litiumjonbatterierna är föremål för kraven i gällande lagstiftning för farligt gods.

För kommersiella transporter (av t.ex. tredje parter som speditorsfirmor) måste de särskilda transportkrav som anges på emballaget och etiketter iakttas.

För att förbereda den produkt som ska avsändas krävs att du konsulterar en expert på riskmaterial. Var också uppmärksam på att det i ditt land kan finnas ytterligare föreskrifter att följa.

Tejpa över eller maskera blottade kontakter och packa batteriet på sådant sätt att det inte kan röra sig fritt i förpackningen.

11. När batterikassetten ska kasseras måste den tas bort från maskinen och kasseras på ett säkert sätt. Följ lokala föreskrifter beträffande avfallshantering av batterier.
12. Använd endast batterierna med de produkter som specificerats av Makita. Att använda batterierna med ej godkända produkter kan leda till brand, överdriven värme, explosion eller utläckande elektrolyt.
13. Om maskinen inte används under en lång tid måste batteriet tas bort från maskinen.
14. Under och efter användning kan batterikassetten bli het vilket kan orsaka brännskador eller lättare brännskador. Var uppmärksam på hur du hanterar varma batterikassetter.
15. Vidrör inte verktygets kontakter direkt efter användning eftersom de kan bli heta och orsaka brännskador.
16. Låt inte flisor, damm eller smuts fastna i kontaktarna, i hål eller spår i batterikassetten. Det kan leda till att verktyget eller batterikassetten värms upp, fattar eld, går sönder eller inte fungerar som de ska, vilket kan orsaka brännskador eller personskadorna.
17. Såvida inte verktyget stöder arbeten i närheten av högspänningsledning får batterikassetten inte användas i närheten av en högspänningsledning. Det kan leda till att verktyget eller batterikassetten går sönder eller inte fungerar korrekt.
18. Förvara batteriet utom räckhåll för barn.

SPARA DESSA ANVISNINGAR.

⚠ FÖRSIKTIGT: Använda endast äkta Makita-batterier. Användning av oäkta Makita-batterier eller batterier som har manipulerats kan leda till person- och utrustningsskador eller till att batteriet fattar eld. Det upphäver också Makitas garanti för verktyget och laddaren.

Tips för att uppnå batteriets maximala livslängd

1. Ladda batterikassetten innan den är helt urladdad. Stanna alltid maskinen och ladda batterikassetten när du märker att maskinen blir svagare.
2. Ladda aldrig en fulladdad batterikasset. Överladdning förkortar batteriets livslängd.
3. Ladda batterikassetten vid en rumstemperatur på 10 °C - 40 °C. Låt en varm batterikasset svalna innan den laddas.
4. När batterikassetten inte används ska den tas bort från verktyget eller laddaren.
5. Ladda batterikassetten om du inte har använt den på länge (mer än sex månader).

BESKRIVNING AV DELAR

► Fig.1

1	Handtag	2	Strömbrytarplatta	3	Rörhandtag	4	Slang
5	Indikationspanel	6	Spak (för dammuppsamlingslådans kåpa)	7	Dammuppsamlingslådakåpa	8	Bärhandtag
9	Batterikassett	10	Justerspak	11	Hörmunstycke	12	Rund borste
13	Fotspak	14	Rullhjul	15	Sidoborste	16	Sugslang
17	Fog	18	Aluminiumrör	19	Rörhållare	20	Lampa
21	Borstrulle	22	Undre platta	23	Lägesändringsknapp	24	PA/AV-knapp
25	Indikator för driftläge	26	Indikator för hög dammnivå	27	Indikator för fel på rullborste	28	Indikator för kvarvarande batterikapacitet
29	Knapp för batterikontroll/lampa	-	-	-	-	-	-

MONTERING

⚠ FÖRSIKTIGT: Se alltid till att maskinen är avstängd och batterikassetten borttagen innan du underhåller maskinen.

⚠ FÖRSIKTIGT: Bär alltid andningsmask vid montering eller underhåll.

Anslutning av handtag

- Sätt in handtagsstången helt i dammsugarkoppen enligt bilden.
 - Stäng låsspärren.
- **Fig.2:** 1. Handtagsstång 2. Röd markering 3. Låsspärr

OBSERVERA: Skjut in handtaget helt tills den röda markeringen inte syns längre.

Anslutning av slang

Trä på slangen på monteringsöppningen på apparaten och vrid slangen tills den låser fast.

► **Fig.3:** 1. Monteringsöppning

Anslutning av rör

Sätt in aluminiumrörets spets i fogen och fäst sedan aluminiumröret i rörhållaren.

► **Fig.4:** 1. Fog 2. Rörhållare

OBSERVERA: För in aluminiumröret i rätt riktning enligt bilden. I annat fall blir rörhållaren inte låst och aluminiumröret kan lossna.

► **Fig.5**

Montera eller demontera batterikassetten

⚠ FÖRSIKTIGT: Stäng alltid av apparaten innan du installerar eller tar bort batterikassetten.

⚠ FÖRSIKTIGT: Håll stadigt i dammsugaren och batterikassetten när du installerar eller tar bort batterikassetten. I annat fall kan det leda till att dammsugaren och batterikassetten glider ur dina händer och orsakar skada på dammsugaren och batterikassetten samt personskada.

⚠ FÖRSIKTIGT: Var försiktig så att du inte klämmer fingrarna när du installerar batterikassetten. I annat fall kan personskada uppstå.

⚠ FÖRSIKTIGT: Installera inte eller ta inte ut batterikassetten med våta händer. Det finns risk för elstöt.

Rikta in tungan på batterikassetten mot skåran i höljet och skjut den på plats. Tryck in den hela vägen tills den låser fast med ett litet klick.

► **Fig.6:** 1. Batterikassett 2. Knapp

Ta bort batterikassetten genom att skjuta upp knappen på kassetten framsida samtidigt tar ut batterikassetten.

⚠ FÖRSIKTIGT: Installera alltid batterikassetten helt. I annat fall kan den plötsligt lossna från anordningen och skada dig eller någon annan.

⚠ FÖRSIKTIGT: Montera inte batterikassetten med våld. Om kassetten inte lätt glider på plats är den felinsatt.

Installera filterpåsen

⚠ FÖRSIKTIGT: Använd inte en skadad filterpåse. Använd alltid dammsugaren med filterpåsen korrekt isatt. I annat fall kan det hända att det uppsugna dammet eller partiklar avges från dammsugaren, vilket kan leda till luftvägssjukdomar hos användaren.

Installera filterpåsen innan du använder dammsugaren. Filterpåsen är av engångstyp. När den är full slänger du hela filterpåsen utan att tömma den när den är full.

OBSERVERA: När filterpåsen redan är full eller tilltäppt ska den bytas ut mot en ny. Fortsatt användning med full eller tilltäppt filterpåse leder till minskad sugkraft.

OBSERVERA: För att förhindra damm från att komma in i motorn:

- Se till att filterpåsen är insatt före användning.
- Använd inte en skadad eller trasig påse.

I annat fall kan motorn skadas.

OBSERVERA: Vik inte hårdpappskivan vid dess öppning när du installerar filterpåsen.

OBSERVERA: Dammsugarens filterpåse är en viktig komponent för att bevara apparatens prestanda. Att använda en icke-originalfilterpåse kan orsaka rök eller antändning.

OBS: Om filterpåsen inte är monterad i apparaten går det inte att stänga dammuppsamlingslådans kåpa ordentligt.


OBS: En återanvändbar dammpåse är förinstallerad i vissa länder och regioner. Följ samma steg för montering/borttagning som för filterpåsen.

1. Lås upp spaken och öppna dammuppsamlingslådans kåpa.

► Fig.7: 1. Spak 2. Dammuppsamlingslådekåpa

2. Vik upp filterpåsen helt.

► Fig.8

3. Öppna spärren och sätt in filterpåsen i spåret på hållaren så att sidan med märket  kommer in först.

► Fig.9: 1. Spärr 2. Skåra 3. Filterpåse 4. Hållare

► Fig.10: 1. Markering 2. Springa

OBS: Se till att endast markeringen på hårdpappskivan går att se genom hållarens springa.

4. Haka på hållarens spärr.

► Fig.11: 1. Spärr

5. Vik upp filterpåsen om den har vikt sig.

► Fig.12

6. Lås dammuppsamlingslådans kåpa ordentligt.

⚠FÖRSIKTIGT: Var försiktig så att du inte klämmer fingrarna när du hakar av spärren och när du stänger dammuppsamlingslådans kåpa.

Ta bort filterpåsen

⚠FÖRSIKTIGT: Hantera filterpåsen varsamt. Annars kan främmande föremål blåsa in i ögonen med personskada som följd.

Byt ut filterpåsen när den blir full eller tilltäppt. Öppna dammuppsamlingslådans kåpa och öppna spärren, ta sedan ut filterpåsen.

► Fig.13: 1. Spärr

Dra i remsan på sidan av öppningen för att stänga filterpåsen och kassera hela filterpåsen.

► Fig.14: 1. Remsa

OBSERVERA: Återanvänd inte filterpåsen.

Filterpåsen är avsedd för engångsbruk. Att använda filterpåsen upprepade gånger kan göra att filtrets sätts igen, med skada på dammsugaren som följd.

FUNKTIONSBE- SKRIVNING

⚠FÖRSIKTIGT: Se alltid till att apparaten är avstängd och batterikassetten borttagen innan du justerar apparaten eller kontrollerar dess funktioner.

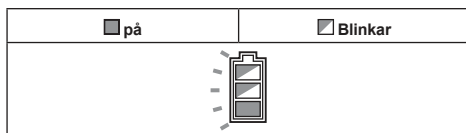
Skyddssystem för apparaten/ batteriet

Apparaten är utrustad med ett skyddssystem för apparaten/batteriet. Detta system bryter automatiskt strömmen till motorn för att förlänga apparatens och batteriets livslängd. Apparaten stoppas automatiskt under användningen om apparaten eller batteriet hamnar i en av följande situationer:

Överbelastningsskydd

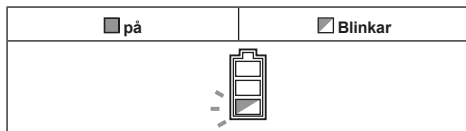
Om apparaten används på ett sätt som gör att den drar onormalt mycket ström stoppas apparaten automatiskt. När detta sker stänger du av apparaten och upphör med arbetet som gjorde att den överbelastades. Starta därefter upp apparaten igen.

Överhettningsskydd



När apparaten blir överhettad stoppas apparaten automatiskt och batteriindikatorn blinkar i cirka 60 sekunder. När detta sker låter du apparaten svalna innan du startar den igen.

Överurladdningsskydd



När batterikapaciteten blir låg stoppas apparaten automatiskt och batteriindikatorn blinkar i cirka 60 sekunder. Om produkten inte fungerar trots att knapparna fungerar som de ska tar du bort batteriet från apparaten och laddar det.

Indikerar kvarvarande batterikapacitet

Tryck på kontrollknappen på batterikassetten för att se kvarvarande batterikapacitet. Indikatorlamporna lyser i ett par sekunder.

► **Fig.15:** 1. Indikatorlampor 2. Kontrollknapp

Indikatorlampor			Kvarvarande kapacitet
Upplyst	Av	Blinkar	
■	□	◐	75% till 100%
■ ■ ■ ■			
■ ■ ■	□		50% till 75%
■ ■	□ □		25% till 50%
■	□ □ □		0% till 25%
◐	□ □ □ □		Ladda batteriet.
■ ■ □ □	□ □	↑ ↓	Batteriet kan ha skadats.

OBS: Beroende på användningsförhållanden och den omgivande temperaturen kan indikationen skilja sig lätt från den faktiska batterikapaciteten.

OBS: Den första (längst till vänster) indikatorlampa kommer att blinka när batteriskyddssystemet fungerar.

Indikationspanel

► **Fig.16:** 1. Driftläge 2. För hög dammnivå 3. Fel på borstrulle 4. Kvarvarande batterikapacitet 5. Knapp för batterikontroll/lampa

Driftläge

För att ändra driftläget, se avsnittet om avtryckarens funktion.

För hög dammnivå

Byt filterpåsen om den här indikator tänds. (Se avsnittet om att ta bort filterpåsen.)

OBS: Denna indikator fungerar kanske inte beroende på användningsmiljö.

OBS: Indikatorn slöcknar automatiskt ungefär en minut efter att apparaten stängts av. Om du tar bort det som täpper till filterpåsen och startar om apparaten, släcks indikatorn redan inom en minut.

Fel på borstrulle

Blinkar	rullborsten är högt belastad av någon anledning.
På	rullborsten har stoppats av onormal anledning.





⚠ VARNING: Stäng genast av apparaten när den här lampan tänds under användning. I annat fall kan det bli funktionsfel på motorn som kan leda till brand.

OBS: Lampan kan blinka om höjden för rullborsten är för låg mot ytan på en matta. Justera i så fall höjden på rullborsten.

Kvarvarande batterikapacitet

Vid användning kan du trycka på knappen för batterikontroll/lampa för att visa kvarvarande batterikapacitet.

► **Fig.17**

Batterindikatorstatus			Kvarvarande batterikapacitet
På	Av	Blinkar	
			50 % till 100 %
			20 % till 50 %
			0 % till 20 %
			Ladda batteriet

Knapp för batterikontroll/lampa

Följande åtgärder kan utföras.

- Tryck bara på knappen för att se kvarvarande batterikapacitet.
- Tryck och håll in knappen under användning för att tända/släcka lamporna.

Avtryckarens funktion

► **Fig.18:** 1. Lägesändringsknapp 2. PÅ/AV-knapp

Slå apparaten på/av

Tryck på PÅ/AV-knappen för att slå apparaten på och av.

⚠ FÖRSIKTIGT: Ha alltid apparatens huvud lagt på golvet när du sätter på den. I annat fall kan olycka p.g.a. intrassling inträffa och orsaka personskada.

Ändra driftläge

Det finns följande tre driftslägen:

1. Låg bullernivå

- Normal
- Hög

Ändra driftsläget genom att trycka på lägesändringsknappen. Det går att ändra driftsläge även när apparaten är avstängd. Apparaten startar i läget du ställt in.

OBS: Dammsugaren startar i samma läge som för den senaste användningen. Om du tar bort batteriet när motorn är igång efter avstängning kanske dammsugaren inte startar i samma läge som för den senaste användningen.

Slå lampan på/av

⚠ FÖRSIKTIGT: Titta inte in i ljuset eller direkt i ljuskällan.

Apparaten är utrustad med lampor. Läs avsnittet om knappen för batterikontroll/lampa för information om hur de fungerar.

► Fig.19: 1. Lampa

Fotspak

⚠ FÖRSIKTIGT: Läs alltid apparaten i upprätt position när du släpper handtaget. I annat fall kan apparaten råka falla och orsaka skador.

⚠ FÖRSIKTIGT: Var försiktig så du inte klämmer fingrarna mellan apparatens centralstomme och huvud.

Lås upp apparatens upprätta position genom att trampa på fotspaken och dra handtaget bakåt.

Rörelseintervallet är 90 grader från upprätt position.

► Fig.20: 1. Fotspak

Lås apparaten i upprätt läge genom att höja handtaget framåt tills fotspaken låses på plats med ett klick.

► Fig.21

⚠ FÖRSIKTIGT: Se till att låsa upp fotspaken före användning. Hård hantering kan orsaka att delarna går sönder.

► Fig.22


OBS: rullborsten slutar rotera medan apparaten är i upprätt läge.

Justera rullborstens höjd

⚠ FÖRSIKTIGT: Se alltid till att justerspaken sitter på plats ordentligt före körning.

Höjden på rullborsten kan justeras i 5 steg. Vrid justeringsspaken till önskat läge enligt följande tabell.

Justera spakens läge	Rullborstens höjd
A 	Rullborsten förblir längst upp från golvet vilket lämpar sig för att dammsuga mattor med lång lugg.
B 	Rullborsten är placerad lägre ner mot golvet vilket lämpar sig för att dammsuga hårda golv och mattor med kort lugg.

Justera spakens läge	Rullborstens höjd
C 	Rullborsten är placerad längst ner mot golvet vilket är effektivt för djuprengöring av mattor och för att ta bort smuts, damm och partiklar som är inbäddade djupt i fibrerna.

► Fig.23: 1. Justeringsspak

OBS: Rullborsten kanske inte roterar om dess höjd är för låg mot mattans yta.

Bärhandtag

När du flyttar apparaten ska du antingen bara skjuta fram den på rullhjulen eller bära den i bärhandtaget.

► Fig.24

⚠ FÖRSIKTIGT: Lås apparaten i upprätt position när du bär den. Annars kan fallolycka inträffa.

⚠ FÖRSIKTIGT: Bär inte apparaten i något annat än bärhandtaget. Annars kan fallolycka inträffa eller så kan apparaten råka starta med skada som följd.

► Fig.25

ANVÄNDNING

⚠ FÖRSIKTIGT: Dra inte ut handtagsstången ur apparaten under körning. Gör du det kan du förlora kontrollen över apparaten vilket kan leda till skada.

⚠ FÖRSIKTIGT: Sätt inte handen eller benet under apparaten under körning. Klämolycka kan inträffa.

⚠ FÖRSIKTIGT: Använd inte apparaten i otillräcklig belysning. Att arbeta i dåligt ljus kan bidra till en oförutsedd olycka.

Normal användning för städning

1. Håll handtaget och lås sedan upp det upprätta läget.

2. Sätt på apparaten. Städa ett golv.

► Fig.26

Använda sidoborsten

Sidoborsten passar bra för att rengöra hörnet av en vägg.

Om sidoborstens strån blir för korta ska du ta apparaten till Makitas servicecenter för att byta ut den.

► Fig.27: 1. Sidoborste

Körning med tillbehör

⚠ FÖRSIKTIGT: Fortsätt hålla i handtaget när du använder tillbehör. I annat fall kan apparaten råka falla och orsaka skador.

OBSERVERA: Lås apparaten i upprätt position när du använder tillbehör. I annat fall kan rullborstens rotation skada golvet.

Använda aluminiumröret

Aluminiumröret är lämpligt för att rengöra trånga eller högt belägna utrymmen.

► **Fig.28:** 1. Aluminiumrör

Använda slangen

Slangen är lämplig för rengöring nära händerna.

► **Fig.29:** 1. Slang

Använd slangen genom att dra ut slangen från aluminiumröret samtidigt som du trycker på spaken.

► **Fig.30:** 1. Spak

Installera slangen genom att sätta in den i aluminiumröret tills det klickar.

► **Fig.31**

Använda tillbehören

► **Fig.32**

Installera tillbehöret genom att vrida och sätta in det säkert i aluminiumröret eller slangen. Ta loss det genom att vrida och ta ut det.

UNDERHÅLL

⚠FÖRSIKTIGT: Se alltid till att apparaten är avstängd och batterikassetten borttagen innan inspektion eller underhåll utförs.

OBSERVERA: Använd inte bensin, förtunningsmedel, alkohol eller liknande. Missfärgning, deformation eller sprickor kan uppstå.

För att upprätthålla produktens SÄKERHET och TILLFÖRLITLIGHET bör allt underhålls- och justeringsarbete utföras av ett auktoriserat Makita servicecenter och med reservdelar från Makita.

Förvaring

Vid förvaring tar du bort batterikassetten och förvarar apparaten på en jämn plats i upprätt läge.

► **Fig.33**

Rengöra apparatens stomme

Torka regelbundet av dammsugarens utsida (dammsugarkropp) med en trasa fuktad i tvålatten.

► **Fig.34**

Rengöring av HEPA-filtret

⚠FÖRSIKTIGT: Använd inte dammsugaren utan ett filter eller med ett smutsigt eller skadat filter. Det uppsugna dammet eller partiklar kan avges från dammsugaren, vilket kan leda till luftvägssjukdomar hos användaren.

OBSERVERA: Rengör filtret med jämna mellanrum för att upprätthålla optimal sugkraft och ren utströmning. Om dammsugaren inte uppnår tillräcklig sugkraft även efter rengöring ska filtret bytas ut mot ett nytt.

OBSERVERA: Använd inte följande verktyg och liknande artiklar för rengöring, då detta kan skada filtret:

- Luftblåsare
- Högtryckstvätt
- Verktyg av hårda material, t.ex. en metallborste

1. Öppna dammupsamlingslådans kåpa och ta ut filterpåsen.

Frigör krokarna på filtret och ta ut det ur apparatens kropp.

► **Fig.35:** 1. Krok

2. Slå bort dammet från filtret. Filtret kan tvättas med vatten. Skölj bort damm och partiklar från filtret varje eller varannan månad. Efter det låter du filtret torka helt i en skuggad och välventilerad plats för att förhindra obehagliga dofter eller funktionsfel.

3. Montera filtret genom att föra in sidan utan krokar i skåran, tryck sedan in filtret tills krokarna låses fast med ett klick.

► **Fig.36:** 1. Spår 2. HEPA-filter 3. Krok

Rengöra rullborsten

1. Ta bort den undre plattan och ta sedan bort rullborsten.

Om stråna på rullborsten blir för korta, be då Makitas servicecenter om en ny.

Om apparaten används med för korta strån på rullborsten funkar dammupsamlingen dåligt.

► **Fig.37:** 1. Undre platta 2. Borstrulle

2. Ta bort trådar och hårstrån från rullborsten med sax.

Ta bort locket och rensa bort skräp.

► **Fig.38:** 1. Lock

3. Installera locket, rullborsten och den undre plattan i omvänd ordning.

► **Fig.39**

⚠FÖRSIKTIGT: Sätt tillbaka den undre plattan i rätt läge tills den säkras genom att de två låsspakarna klickar på plats. Om apparaten körs utan den undre plattan, kan rullborsten lossna och orsaka skada.

► **Fig.40:** 1. Undre platta 2. Låsspak

OBSERVERA: Sätt alltid fast rullborsten. Om apparaten används utan rullborsten funkar dammupsamlingen dåligt.

Hur man rensar bort hinder

OBSERVERA: Använd inte apparaten om insugsvägen är tilltäppt. Fortsatt användning med insugsvägen tilltäppt leder till minskad sugkraft.

1. Ta bort den undre plattan och ta sedan bort rullborsten.
2. Ta bort aluminiumröret från apparaten och från slangen.
3. Vrid slangen moturs och ta sedan bort slangen från apparaten.
4. Ta bort sugslangen genom att dra i fliken.
► **Fig.41:** 1. Undre platta 2. Rullborste
3. Aluminiumrör 4. Slang 5. Sugslang 6. Flik
5. Inspektera luftinsugsflödet för insidan av aluminiumröret och slangen, plus sugslangen.

Ta bort skräpet från insidan av dem.

6. Rikta in tungan på sugslangen mot spåret i höljet och skjut den på plats.

► **Fig.42:** 1. Tunga 2. Spår

7. Installera slangen, aluminiumröret, rullborsten och den undre plattan.

⚠FÖRSIKTIGT: Installera slangen och röret stadigt. I annat fall kan dammläckage inträffa och orsaka skador.

Damppåse

Valfria tillbehör

Genom att tömma damppåsen kan den användas upprepade gånger.

Montera och ta bort damppåsen

Förfarandet för att montera och ta bort damppåsen är samma som för filterpåsen. Läs avsnittet om installation och borttagning av filterpåsen.

► **Fig.43:** 1. Damppåse 2. Gummipropp

OBSERVERA: Öppna först gummiproppen vid montering av damppåsen. För in damppåsen med gummiproppen bakom den.

Tömma damppåsen

1. Stäng gummiproppen för att förhindra att damm flyger ut.
2. Öppna påsens mynning genom att dra ut plastlåset.
3. Töm damppåsen på dess innehåll och skaka den lätt för att få bort partiklar som fastnat på insidan.
► **Fig.44:** 1. Damppåse 2. Gummipropp 3. Plastlås

OBSERVERA: Töm damppåsen regelbundet. För mycket damm sliter lätt sönder påsen.

Rengöring av damppåsen

Rengör damppåsen regelbundet med tvål och vatten. Vänd damppåsen in och ut och ta bort det klabbiga dammet. Tvätta lätt för hand och skölj noga med vatten.

Låt torka helt innan du sätter in damppåsen i dammsugaren igen.

► **Fig.45**

OBSERVERA: En damppåse som är våt minskar dammsugarens prestanda och förkortar motorns livslängd.

OBSERVERA: Se till att påsens mynning är ordentligt stängd när plastlåset monteras på damppåsen.

CYKLONTILLBEHÖR

Valfria tillbehör

► **Fig.46:** 1. Cyklontillbehör

Om cyklontillbehöret

Om dammsugaren används med cyklontillbehöret installerat minskas den mängd damm som kommer in i filterpåsen, vilket gör att sugkraften inte försvagas lika lätt. Det blir också enkelt att rengöra efter användning.

⚠FÖRSIKTIGT: Se alltid till att verktyget är avstängt och batterikassetten borttagen innan du underhåller verktyget. Om batterikassetten lämnas insatt, kan dammsugaren starta oavsiktligt med skada som följd.

⚠FÖRSIKTIGT: Rengör cyklontillbehörets nätfilter och dammsugarenhetens filterpåse när de blir igensatta. Fortsatt användning i tilltäppt tillstånd kan leda till upphettning eller rök.

OBSERVERA: När cyklontillbehöret sitter på ska inte cyklontillbehöret användas i horisontell eller uppåtvänd riktning. Att göra detta kan få nätfilret att bli igentäppt.

OBSERVERA: Använd alltid dammsugaren med filterpåsen installerad, även när cyklontillbehöret används. Att använda dammsugaren utan filterpåsen installerad kan leda till fel på motorn.

OBS: Kontrollera att cyklontillbehöret, dammsugaren och det raka röret är ordentligt låsta före användning.

OBS: Töm cyklontillbehörets dammhölje och dammsugarens filterpåse när det har ansamlats damm. Fortsatt användning leder till försvagad sugkraft.

Installera cyklontillbehöret

1. Vrid kopplingen på slangen moturs och ta bort slangen, rörhandtaget och aluminiumröret från apparaten.
► **Fig.47:** 1. Koppling 2. Slang 3. Rörhandtag 4. Aluminiumrör

2. Vrid sidan av stoppanordningen på cyklontillbehöret uppåt och rikta in stoppet med skåran på suginloppet. Läs stoppanordningen genom att föra in cyklontillbehöret tills det klickar. Dra lätt in cyklontillbehöret för att se till att det inte kan lossna. Installera det raka röret på samma sätt som cyklontillbehöret.

► **Fig.48:** 1. Handtag för cyklontillbehör 2. Suginlopp

3. Cyklontillbehör 4. Rakt rör för cyklontillbehör 5. Stoppanordning 6. Låsknapp

3. Montera cyklontillbehöret på apparaten och vrid sedan kopplingen på slangen medurs för att säkra det på plats.

► Fig.49

Borttagning av damm

När det har ansamlats damm upp till fullt-strecket i dammhöljet, följer du proceduren nedan och kasserar dammet.

1. Håll dammhöljet ordentligt, tryck och håll in de två knapparna och ta bort dammhöljet.

► Fig.50: 1. Fullt-streck 2. Dammhölje 3. Knapp (två ställen) 4. Nätfiltre

2. Kassera dammet inuti dammhöljet och ta bort allt damm och pulver som satt sig fast på ytan på nätfiltret.

3. Sätt in dammhöljet hela vägen tills de två knapparna låses med ett klick.

► Fig.51: 1. Dammhölje 2. Knapp (två ställen)

OBS: Håll ordentligt i cyklontillbehöret vid montering av dammhöljet.

OBS: Kontrollera att cyklontillbehöret, dammsugaren och det raka röret är ordentligt låsta innan körningen återupptas.

OBS: Indikatorn för hög dammnivå på dammsugaren tänds inte när dammhöljet på cyklontillbehöret blir fullt.

OBS: Kontrollera under följande förhållanden om damm har samlats inuti filterpåsen i dammsugaren eller täppt igen luftvägen. Rensa vid behov orsaken.

— Om sugförmågan inte förbättrats efter att du rensat dammet från dammhöljet och rengjort nätfiltret.

— Om indikatorn för hög dammnivå på dammsugaren fortsätter att lysa.

Rengöring

När dammhöljet blir smutsigt eller nätfiltret blir tilltäppt tar du bort dem och tvättar av dem med vatten. (Se borttagningsproceduren i "Borttagning av damm".)

Torka av delarna noggrant före ominstallation och användning.

► Fig.52: 1. Dammhölje 2. Nätfiltre

När nätfiltret blir rejält smutsigt ska det rengöras genom följande procedurer.

1. Vrid nätfiltret moturs och ta bort det medan krokarna är upplåsta.

► Fig.53: 1. Nätfiltre 2. Krok

2. Ta bort dammet på nätfiltret och tvätta sedan av det med vatten. Torka det sedan noggrant.

3. Sätt in nätfiltret i basen medan krokarna är inpassade med porten. Vrid nätfiltret medurs till krokarna låses med ett klick. Se till att nätfiltret är säkert installerat.

► Fig.54: 1. Nätfiltre 2. Krok 3. Port

FELSÖKNING

Innan du ber om reparation ska du först utföra en egen kontroll. Om du hittar ett problem som inte finns förklarat i bruksanvisningen ska du inte försöka att montera isär maskinen. Fråga istället ett auktoriserad servicecenter för Makita, och använd alltid reservdelar från Makita för reparationer.

Symptom	Trolig orsak	Atgärd
Fungerar inte	Batterikassetten är felaktigt installerad.	Installera batterikassetten enligt anvisningarna i denna bruksanvisning.
	Batterikassetten är urladdad.	Ladda batterikassetten.
	Handtaget är felaktigt installerat.	Installera handtaget stadigt enligt beskrivningen i denna bruksanvisning.
rullborsten roterar inte	Apparaten är låst i upprätt position.	Lås upp apparatens uppräta position.
	Indikatorn för fel på rullborste lyser.	Inspektera så att det inte är något som fastnat runt rullborsten (stomme, lock och fog).

Symptom	Trolig orsak	Åtgärd
Svag sugförmåga	Indikator för hög dammnivå lyser.	Byt ut filterpåsen. Om filterpåsen inte är full viker du upp den och skakar den så att det som täpper till den lossnar.
	⇒Om problemet inte blir löst av att filterpåsen byts ...	Rengör eller byt ut HEPA-filtret. Inspektera så att det inte sitter fast något skräp i slangen och röret.
	Skräp har fastnat i rullborsten och rotationshastigheten är lägre.	Inspektera så att det inte är något som fastnat runt rullborsten (stomme, lock, fog).
	Rullborsten är för högt upp från golvet.	Sänk rullborstens höjd.
	Rullborstens strån har blivit korta.	Byt ut rullborsten. Sänk rullborstens höjd.
	Apparaten körs i lågt läge.	Byt till det högre driftläget.
	rullborsten är inte installerad.	Installera rullborsten.
	Röret eller slangen har installerats felaktigt.	Installera röret eller slangen ordentligt.
Högt ljud vid körning	Apparaten körs i högt läge.	Byt till det lägre driftläget.
	Det har fastnat skräp i rullborsten.	Inspektera så att det inte är något som fastnat runt rullborsten (stomme, lock och fog).
	Filterpåsen är full med damm.	Byt ut filterpåsen.
	⇒Om problemet inte blir löst av att filterpåsen byts ...	Rengör eller byt ut HEPA-filtret. Inspektera så att det inte sitter fast något skräp i slangen och röret.
Indikatorn för hög dammnivå blinkar efter bara liten användning	Filterpåsen har vikt sig.	Vik upp ingången till filterpåsen innan den sätts in.
Lampan tänds inte	Lampinställningen är av.	Tryck och håll in knappen för batterikontroll/lampa under användning för att tända lampan.
Rullhjulet har svårt att röra på sig	Det har fastnat skräp i rullhjulet.	Rensa bort skräpet i rullhjulet.

VALFRIA TILLBEHÖR

⚠ FÖRSIKTIGT: Följande tillbehör eller tillsatser rekommenderas för användning med den Makita-maskin som denna bruksanvisning avser. Om andra tillbehör eller tillsatser används kan det uppstå risk för personskador. Använd endast tillbehören eller tillsatserna för de syften de är avsedda för.

Kontakta ditt lokala Makita servicecenter om du behöver ytterligare information om dessa tillbehör.

- Hörmunstycke
- Rund borste
- Cyklontillbehör
- HEPA-filtrer
- Filterpåse
- Damppåse
- Makitas originalbatteri och -laddare

OBS: Några av tillbehören i listan kan vara inkluderade i maskinpaketet som standardtillbehör. De kan variera mellan olika länder.

ADVARSEL

- Denne maskinen skal ikke brukes av personer med reduserte fysiske, sensoriske eller mentale evner, eller personer som mangler erfaring og kunnskap.
- Små barn må være under oppsyn for å sikre at de ikke leker med støvsugeren.
- Typereferanse for batteriet finnes i kapittelet "SPESIFIKASJONER".
- Informasjon om hvordan batteriet settes i og tas ut finnes i avsnittet "Sette inn eller ta ut batteri".
- Når batteriet skal avhendes, tar du det ut av verktøyet og kaster det på et trygt sted. Følg lokale bestemmelser for avhending av batterier.
- Hvis verktøyet ikke skal brukes på en god stund, må batteriet tas ut av verktøyet.
- Ikke kortslutt batteriet.
- Nærmere detaljer om forholdsregler under brukervedlikehold finnes i kapittelet "VEDLIKEHOLD".

TEKNISKE DATA

Modell:	VC010G
Maksimalt luftvolum ^{*1}	1,8 m ³ /min
Støvsuger ^{*1}	15 kPa
Kapasitet	5 l
Mål (L x B x H)	326 mm x 381 mm x 1 146 mm
Nominell spenning	DC 36 V - 40 V maks
Nettovekt	8,0 - 9,2 kg

^{*1} Verdien måles etter vår opprinnelige metode.

- På grunn av vårt kontinuerlige forsknings- og utviklingsprogram kan spesifikasjonene som oppgis i dette dokumentet endres uten varsel.
- Spesifikasjonene kan variere fra land til land.
- Vekten er inkludert tilbehøret (rund børste, hjørnemunnstykke) og batteri(er). Den letteste og tyngste vektombinasjonen av apparatet og batteri(er) vises i tabellen.

Passende batteri og lader

Batteriinnsett	BL4020 / BL4025 / BL4040 / BL4040F / BL4050F / BL4080F
Lader	DC40RA / DC40RB / DC40RC / DC40WA

- Noen av batteriene og laderne som er opplistet ovenfor er kanskje ikke tilgjengelige, avhengig av hvor du bor.

⚠ ADVARSEL: Bruk kun de batteriene og laderne som er opplistet ovenfor. Bruk av andre batterier og ladere kan føre til personskader og/eller brann.

Symboler

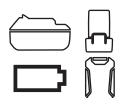
Nedenfor ser du symbolene som kan brukes for dette utstyret. Forviss deg om at du forstår hva de betyr, før du begynner å bruke maskinen.



Les bruksanvisningen.



Vær spesielt forsiktig og oppmerksom.



Et representativt batteri som gjelder for dette produktet.



Kun for EU-land

På grunn av forekomst av farlige komponenter i utstyret, kan avfall fra elektrisk og elektronisk utstyr, akkumulatører og batterier ha en negativ innvirkning på miljøet og menneskers helse.

Ikke kast elektriske og elektroniske apparater eller batterier sammen med husholdningsavfall!

I samsvar med det europeiske direktivet om avfall fra elektrisk og elektronisk utstyr og om akkumulatører og batterier samt akkumulatører og batterier som skal kastes, samt deres tilpasning til nasjonal lovgivning, skal brukt elektrisk utstyr samt brukte batterier og akkumulatører samles inn separat og leveres til et eget innsamlingssted for kommunalt avfall, som driver virksomhet i samsvar med miljøvernforskriftene.

Dette er angis av symbolet med den overkryssede avfallsbeholderen som er plassert på utstyret.

Riktig bruk

Apparaten er ment til å samle opp tørt støv. Apparaten er egnet for kommersiell bruk, f.eks. på hoteller, skoler, sykehus, fabrikker, butikker, kontorer og i utleievirksomhet.

Støy

Typisk A-vektet lydtryknivå er bestemt i henhold til IEC60335-2-69:

Lydtryknivå (L_{pA}): 70 dB (A) eller mindre

Usikkerhet (K): 2,5 dB (A)

Støynivået under arbeid kan overskride 80 dB (A).

MERK: Den/de oppgitte verdien(e) for genererte vibrasjoner har blitt målt i henhold til standard testmetoder, og kan bli brukt til å sammenligne ett verktøy med et annet.

MERK: Den/de angitte verdien(e) for de genererte vibrasjonene kan også brukes til en foreløpig vurdering av eksponeringen.

⚠ ADVARSEL: Bruk hørselsvern.

⚠ ADVARSEL: De genererte vibrasjonene ved faktisk bruk av elektroverktøyet kan avvike fra den/de angitte vibrasjonsverdien(e), avhengig av hvordan verktøyet brukes.

⚠ ADVARSEL: Sørg for å identifisere vernetiltak for å beskytte operatøren, som er basert på et estimat av eksponeringen under de faktiske bruksforholdene (idet det tas hensyn til alle deler av driftssyklusen, dvs. hvor lenge verktøyet er slått av, hvor lenge det går på tomgang og hvor lenge startbryteren faktisk holdes trykket).

Vibrasjoner

Den totale vibrasjonsverdien (triaksial vektorsum) bestemt i henhold IEC60335-2-69:

Genererte vibrasjoner ($a_{h,M}$): 2,5 m/s² eller mindre
Usikkerhet (K): 1,5 m/s²

MERK: Den/de oppgitte verdien(e) for totalt genererte vibrasjoner har blitt målt i henhold til standard testmetoder, og kan bli brukt til å sammenligne ett verktøy med et annet.

MERK: Den/de angitte verdien(e) for totalt genererte vibrasjoner kan også brukes til en foreløpig vurdering av eksponeringen.

⚠ ADVARSEL: De genererte vibrasjonene ved faktisk bruk av elektroverktøyet kan avvike fra den/de angitte vibrasjonsverdien(e), avhengig av hvordan verktøyet brukes og spesielt i forhold til arbeidsstykket som blir behandlet.

⚠ ADVARSEL: Sørg for å identifisere vernetiltak for å beskytte operatøren, som er basert på et estimat av eksponeringen under de faktiske bruksforholdene (idet det tas hensyn til alle deler av driftssyklusen, dvs. hvor lenge verktøyet er slått av, hvor lenge det går på tomgang og hvor lenge startbryteren faktisk holdes trykket).

Samsvarserklæringer

Gjelder kun for land i Europa

Samsvarserklæringene er lagt til som vedlegg A i denne bruksanvisningen.

SIKKERHETSADVARSEL

Sikkerhetsadvarsler for trådløs støvsuger

⚠ ADVARSEL: VIKTIG. LES NØYE alle sikkerhetsadvarsler og instruksjoner FØR BRUK. Hvis du ikke følger alle advarslene og instruksjonene som er oppført nedenfor, kan det føre til elektriske støt, brann og/eller alvorlige helseskader.

1. Støvsugeren skal kun benyttes av personer som har fått tilstrekkelig opplæring i hvordan den skal brukes.
2. Må ikke brukes uten at filterpose og/eller filtre er på plass. Hvis filteret er skadet, må det skiftes ut umiddelbart.
3. PASS PÅ AT STØVSUGEREN IKKE STARTES OPP UTILSIKTET. Kontroller at bryteren er AV når du setter i batteriet/batteriene.
4. Ikke bruk støvsugeren på brennbar materiale, fyrverkeri, tente sigaretter, varm aske, varmt metallspen eller skarpe materialer som f.eks. barberblader, nåler, knust glass eller lignende.
5. ALDRI BRUK STØVSUGEREN I NÆRHETEN AV BENSIN, GASS, MALING, LIM ELLER ANDRE HØYEKSPLOSIVE STOFFER. Bryteren slår gnister når den slås PÅ og AV. Det samme gjør kommutatormotoren når den er i bruk. Dette kan forårsake farlig eksplosjon.
6. Støvsugeren er ikke egnet for oppsuging av farlig støv.
7. Bruk aldri støvsugeren på giftige, kreftfremkallende, brennbare eller andre farlige materialer

- som f.eks. asbest, arsen, barium, beryllium, bly, skadedyrsmidler eller andre helseskadelige stoffer.
8. Ikke støvsug skum, som tepperens eller lignende. Det kan forårsake eksplosjon eller brann.
 9. Må ikke brukes utendørs eller på våte overflater.
 10. Denne maskinen må ikke brukes utendørs ved lave temperaturer i Finland.
 11. Ikke bruk apparatet nær varmekilder (for eksempel ovner).
 12. Ikke blokker innsugings-/utblåsningsåpningene/kjøleventilene. Disse åpningene er der for å kjøle motoren. Blokkering må unngås, hvis ikke vil motoren skjære seg på grunn av mangel på ventilasjon.
 13. Ikke brett, rykk i eller trakk på slangen.
 14. Slå av støvsugeren umiddelbart hvis den oppfører seg unormalt (f.eks. hvis effekten er svak).
 15. **TA UT BATTERIET/BATTERIENE.** Støvsugeren skal være frakoblet når den ikke er i bruk, før utføring av service-/reparasjonsarbeid og ved bytte av tilbehør.
 16. For å holde støvsugeren i optimal stand er det viktig at du rengjør og vedlikeholder den etter hver bruk.
 17. **VÆR NØYE MED VEDLIKEHOLDET.** Rengjør støvsugeren for å holde den i sikker og god stand. Følg instruksjonene for bytte av tilbehør. Hold håndtakene tørre, rene og fri for olje og smørefett.
 18. **KONTROLLER SKADDE DELER.** Før videre bruk av støvsugeren må du foreta en grundig sjekk av ev. skadde deler, som f.eks. vern eller lignende, for å fastslå om de vil fungere som de skal. Kontroller at bevegelige deler beveger seg riktig i forhold til hverandre, at bevegelige deler kan bevege seg fritt, om noen deler er brukket, om monteringen er som den skal, eller om andre forhold kan påvirke hvordan støvsugeren vil fungere. Vern eller andre skadde deler må repareres eller skiftes ut hos et autorisert servicesenter, med mindre noe annet er angitt i denne bruksanvisningen. Sørg for at defekte brytere skiftes ut hos et autorisert servicesenter. Ikke bruk støvsugeren hvis AV/PA-bryteren er defekt.
 19. **RESERVEDELER.** Ved utføring av vedlikeholdsarbeid, skal det kun brukes identiske reservedeler.
 20. Støvsugeren skal alltid oppbevares innendørs mens den ikke er i bruk.
 21. Vær forsiktig når du håndterer støvsugeren. Hardhendt og uforsiktig håndtering kan forårsake skader på støvsugeren.
 22. Ikke bruk bensin, tynningsmidler eller kjemiske rengjøringsmidler for å rengjøre støvsugeren innvendig eller utvendig. Dette kan forårsake sprekker og misfarging.
 23. Ikke bruk støvsugeren i områder med brennbart støv, eller i lukkede rom hvor oljebasert maling, malingstynner, bensin, møllmidler eller lignende avgir brennbar, eksplosiv eller giftig damp.
 24. Ikke bruk denne støvsugeren eller andre maskiner hvis du er under påvirkning av alkohol, narkotiske stoffer eller sterke legemidler.
 25. Bruk egnet verneutstyr som f.eks. en maske, avhengig av miljøet der du bruker støvsugeren.
 26. Denne maskinen skal ikke brukes av personer med reduserte fysiske, sensoriske eller mentale evner, eller personer som mangler erfaring og kunnskap.
 27. Små barn må være under oppsyn for å sikre at de ikke leker med støvsugeren.
 28. Håndter aldri batteriet/batteriene og støvsugeren mens du er våt på hendene.
 29. Vær svært forsiktig når du bruker støvsugeren i trapper.
 30. Ikke bruk støvsugeren på ustabile overflater eller skråplan. Støvsugeren kan falle og føre til personskader eller skader.
 31. Pass alltid på at du holder balansen og har godt fotfeste.
 32. Ikke bruk støvsugeren som en krakk eller arbeidsbenk. Den kan falle ned, noe som kan føre til personskade.
 33. Hold alle kroppsdeler og klær unna åpninger og bevegelige deler som f.eks. den roterende børsterullen. Ellers kan de vikle seg inn i apparatet og føre til personskade.
- Bruk og vedlikehold av batteridrevne maskiner**
1. **Batteriet må kun lades opp igjen med en lader spesifisert av produsenten.** En lader som passer til én batteritype, kan være brannfarlig når den brukes med en annen batteritype.
 2. **Bruk elektroverktøy kun med spesifikt angitte batterier.** Hvis det brukes et hvilket som helst annet batteri, kan dette utgjøre en fare for helse-skader og brann.
 3. **Når batteriet ikke er i bruk, må du holde verktøyet unna metallgjenstander som f.eks. binders, mynter, nøkler, spiker, skruer og andre små metallgjenstander som kan skape forbindelse mellom de to polene.** Hvis batteripolene kortsluttes, kan du få brannskader, eller det kan begynne å brenne.
 4. **Hvis batteriet utsettes for hardhendt bruk, kan det løkke væske fra batteriet.** Unngå kontakt med væsken. Hvis du kommer i kontakt med batterivæsken, må du skylle med vann. Hvis du får batterivæske i øynene, må du i tillegg **opsøke lege.** Væske som kommer ut av batteriet, kan forårsake irritasjon eller forbrenninger.
 5. **Ikke bruk et batteri eller verktøy som er skadet eller endret på.** Batterier som er skadet eller endret på kan oppføre seg upålitelig og medføre brann, eksplosjon eller fare for personskader.
 6. **Et batteri eller verktøy må ikke utsettes for brann eller for høy temperatur.** Brann eller en temperatur over 130 °C kan forårsake eksplosjon.
 7. **Følg alle ladeinstruksjoner, og ikke lad batteriet eller verktøyet utenfor temperaturområdet som er angitt i instruksjonene.** Feil lading eller ved temperaturer utenfor det angitte området, kan skadet batteriet og øke faren for brann.

TA VARE PÅ DISSE INSTRUKSENE.

⚠ ADVARSEL: IKKE LA hensynet til hva som er "behagelig" eller det faktum at du kjenner produktet godt (etter mange gangers bruk) gjøre deg mindre oppmerksom på sikkerhetsreglene for bruken av det aktuelle produktet. Ved MISBRUK eller hvis ikke sikkerhetsreglene i denne bruksanvisningen følges, kan det oppstå alvorlig personskade.

Viktige sikkerhetsanvisninger for batteriinnsats

1. Før du begynner å bruke batteriet, må du lese alle anvisninger og forsiktighetsregler på (1) batteriladeren, (2) batteriet og (3) det produktet batteriet skal brukes i.
2. Ikke demonter eller tukkle batteriet. Det kan føre til brann, overoppheting eller eksplosjon.
3. Hvis driftstiden er blitt vesentlig kortere, må du omgående slutte å bruke maskinen. Hvis ikke kan resultatet bli overoppheting, mulige forbrenninger eller til og med en eksplosjon.
4. Hvis du får elektrolytt i øynene, må du skylle dem med store mengder rennende vann og oppsøke lege med én gang. Denne typen uhell kan føre til varig blindhet.
5. Ikke kortslutt batteriet:
 - (1) De kan være ekstremt varme og du kan brenne deg.
 - (2) Ikke lagre batteriet i samme beholder som andre metallgjenstander, som for eksempel spiker, mynter osv.
 - (3) Ikke la batteriet komme i kontakt med vann eller regn.En kortslutning av batteriet kan føre til et kraftig strømstøt, overoppvarming, mulige forbrenninger og til og med til at batteriet går i stykker.
6. Ikke oppbevar og bruk verktøyet og batteriet på steder hvor temperaturen kan komme opp i eller overskride 50 °C.
7. Ikke sett fyr på batteriet, ikke engang om det er sterkt skadet eller helt utslitt. Batteriet kan eksplodere hvis det begynner å brenne.
8. Du må ikke spikre, skjære, klemme, kaste eller miste batteriet, og heller ikke slå en hard gjenstand mot batteriet. En slik oppførsel kan føre til brann, overoppheting eller eksplosjon.
9. Ikke bruk batterier som er skadet.
10. Lithium-ion-batteriene som medfølger er gjenstand for krav om spesialavfall. For kommersiell transport, f.eks av tredjeparter eller spedidører, må spesielle krav om pakking og merking følges. Før varen blir sendt, må du forhøre deg med en

ekspert på farlig materiale. Ta også hensyn til muligheten for mer detaljerte nasjonale bestemmelser.

Bruk teip eller maskeringsteip for å skjule åpne kontakter og pakk inn batteriet på en slik måte at den ikke kan bevege seg rundt i emballasjen.

11. Når du kasserer batteriinnsatsen, må du ta den ut av verktøyet og avhende den på et sikkert sted. Følg lokale bestemmelser for avhending av batterier.
12. Bruk batteriene kun med produkter spesifisert av Makita. Montere batteriene i produkter som ikke er konforme kan føre til brann, overoppheting eller elektrolyttlekkasje.
13. Hvis verktøyet ikke skal brukes over en lengre periode, må batteriet tas ut av verktøyet.
14. Under og etter bruk kan batteriet bli varmt og før til brannskader. Vær forsiktig med håndteringen av varme batterier.
15. Ikke berører terminalen på verktøyet rett etter bruk, da den kan bli varm og forårsake brannskader.
16. Ikke la spon, støv eller jord sette seg fast i terminalene, hullene og sporene i batteriet. Det kan føre til at batteriet eller verktøyet blir overopphet, begynner å brenne, sprekker eller ikke fungerer som det skal, og forårsake brannskader eller personskade.
17. Med mindre verktøyet støtter bruk nær en høyspent strømlinje, skal ikke batteriet brukes nær en høyspent strømlinje. Det kan føre til en funksjonsfeil eller at verktøyet eller batteriet slutter å fungere.
18. Oppbevar batteriet utilgjengelig for barn.

TA VARE PÅ DISSE INSTRUKSENE.

⚠ FORSIKTIG: Bruk kun originale Makita-batterier. Bruk av batterier som har endret seg, eller som ikke er originale Makita-batterier, kan føre til at batteriet sprekker og forårsaker brann, personskader og andre skader. Det vil også ugyldiggjøre garantien for Makita-verktøyet og -laderen.

Tips for å opprettholde maksimal batterilevetid

1. Lad batteriinnsatsen før den er helt utladet. Stopp alltid driften av verktøyet og lad batteriinnsatsen når du merker at effekten reduseres.
2. Lad aldri en batteriinnsats som er fulladet. Overopplading forkorter batteriets levetid.
3. Lad batteriet i romtemperatur ved 10 °C - 40 °C. Et varmt batteri må kjøles ned før lading.
4. Når batteriet ikke er bruk, skal det tas ut av verktøyet eller laderen.
5. Lad batteriet hvis det ikke har vært brukt på en lang stund (over seks måneder).

DELEBESKRIVELSE

► Fig.1

1	Håndtak	2	Bryterplate	3	Rørgrep	4	Slange
5	Indikasjonspanel	6	Spak (til støvbokseksellet)	7	Støvbokseksel	8	Bærehåndtak
9	Batteri	10	Justeringsspak	11	Hjørnemunnstykke	12	Rund børste
13	Fotspak	14	Svinghjul	15	Sidebørste	16	Sugeslange
17	Kobling	18	Aluminiumsrør	19	Rørholder	20	Lampe
21	Børsterull	22	Bunnplate	23	Knapp for modusending	24	PA/AV-knapp
25	Indikator for driftsmodus	26	Indikator for høyt støvnivå	27	Indikator for børsterullfeil	28	Indikator for gjenværende batterikapasitet
29	Knapp for batterikontroll/lampe	-	-	-	-	-	-

MONTERING

⚠FORSIKTIG: Forviss deg alltid om at maskinen er slått av og batteriet tatt ut før du utfører noe arbeid på maskinen.

⚠FORSIKTIG: Bruk alltid støvmaske under montering eller vedlikehold.

Koble til håndtak

1. Sett håndtaksstangen helt inn i støvsugerhuset som vist i figuren.
 2. Lukk smekklåsen.
- **Fig.2:** 1. Håndtaksstang 2. Rød merking
3. Smekklås

OBS: Sett håndtaket helt inn til den røde merkingen ikke er synlig lenger.

Slangetilkobling

Sett slangen inn i apparatets monteringsåpning, og vri slangen til den går i lås.

- **Fig.3:** 1. Monteringsport

Rørtilkobling

Sett tuppen på aluminiumsrøret inn i koblingen, og fest deretter aluminiumsrøret til rørholderen.

- **Fig.4:** 1. Kobling 2. Rørholder

OBS: Sett aluminiumsrøret inn i riktig retning som vist i figuren. Ellers vil ikke rørholderen låse seg på plass, og aluminiumsrøret kan løsnes.

- **Fig.5**

Sette inn eller ta ut batteri

⚠FORSIKTIG: Slå alltid av apparatet før du setter inn eller tar ut batteriet.

⚠FORSIKTIG: Hold godt fast i støvsugeren og batteriet når du monterer eller tar ut batteriet. Hvis du ikke holder godt fast i støvsugeren eller batteriet, kan du miste grepet, og dette kan føre til skader på støvsugeren og batteriet samt personskader.

⚠FORSIKTIG: Pass på at du ikke får fingrene i klem når du monterer batteriet. Hvis du er uoppmerksom kan det føre til personskade.

⚠FORSIKTIG: Ikke sett inn eller ta ut batteriet med våte hender. Det er fare for elektrisk støt.

Innrett tungen på batteriet etter sporet i huset, og skyv det på plass. Skyv det helt inn til det låses på plass med et lite klikk.

- **Fig.6:** 1. Batteri 2. Knapp

Før å ta ut batteriet må du skyve knappen foran batteriet opp og samtidig trekke batteriet ut fra apparatet.

⚠FORSIKTIG: Pass på å sette batteriet helt inn. Hvis dette ikke gjøres, kan batteriet falle ut av apparatet og skade deg eller andre som oppholder seg i nærheten.

⚠FORSIKTIG: Ikke bruk makt når du setter i batteriet. Hvis batteriet ikke glir lett inn, er det fordi det ikke settes inn på riktig måte.

Montere filterposen

⚠FORSIKTIG: Ikke bruk filterposen dersom den er skadet. Bruk alltid støvsugeren med filterposen riktig installert. Ellers kan støv og partikler pumpes ut av støvsugeren, og brukeren kan utvikle luftveissykdommer.

Sett i filterposen før du bruker støvsugeren. Filterposen er til engangsbruk. Kast hele filterposen uten å tømme det når det er fullt.

OBS: Når filterposen er full eller tilstoppet, må den byttes ut. Ved fortsatt bruk av full eller tilstoppet filterpose vil sugeseffekten reduseres.

OBS: Slik forhindrer du at det kommer støv inn i motoren:

- Kontroller at filterposen er satt i før bruk.
- Ikke bruk posen hvis den er skadet eller revnet.

Det kan føre til at motoren blir ødelagt.

OBS: Ikke brett kartongen ved åpningen når du setter i filterposen.

OBS: Filterposen til støvsugeren er en viktig del av apparatet for å opprettholde ytelsen. Hvis du bruker uoriginale filterpose kan det føre til røykutvikling eller antennelse.

MERK: Når filterposen ikke er satt inn i apparatet, vil ikke støvboksedekselet lukke seg helt.

MERK: I enkelte land og regioner leveres støvsugeren med en gjenbrukbar støvpose. Du kan følge samme fremgangsmåte for montering/fjerning som for filterposen.

1. Frigjør spaken, og åpen støvboksedekselet.
► Fig.7: 1. Spak 2. Støvboksedekselet
 2. Brett filterposen helt ut.
► Fig.8
 3. Åpne låsemekanismen og sett filterposen inn i sporet på holderen slik at siden med merket \triangle går inn først.
► Fig.9: 1. Låsemekanisme 2. Spor 3. Filterpose 4. Holder
- Fig.10: 1. Merking 2. Slisse

MERK: Kontroller at kun merket på kartongen er synlig gjennom slissen i holderen.

4. Hekt smekklåsen av holderen.
► Fig.11: 1. Smekklås
5. Brett ut filterposen hvis den er brettet.
► Fig.12
6. Lås støvboksedekselet godt igjen.

⚠FORSIKTIG: Pass på at du ikke får fingrene i klem når hekter på smekklåsen og når du lukker støvboksedekselet.

Ta bort filterposen

⚠FORSIKTIG: Vær forsiktig når du håndterer filterposen. Ellers kan fremmedlegemer blåse inn i øyne og føre til personskader.

- Skift ut filterposen når den er full eller tilstoppet. Åpne støvboksedekselet og åpne smekklåsen, og ta deretter ut filterposen.
- Fig.13: 1. Smekklås

- Dra i remsen på siden av åpningen for å lukke filterposen, og kast så hele filterposen.
- Fig.14: 1. Remse

OBS: Filterposen skal ikke brukes mer enn én gang. Filterposen er laget for engangsbruk. Stadig bruk av en filterpose kan forårsake at filteret blir tett og medføre at støvsugeren blir skadet.

FUNKSJONSBE- SKRIVELSE

⚠FORSIKTIG: Forviss deg alltid om at apparatet er slått av og batteriet er tatt ut før du justerer apparatet eller kontrollerer funksjonen.

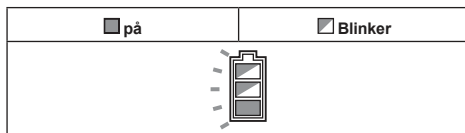
Vernesystem for apparat/batteri

Dette apparatet er utstyrt med et vernesystem for apparatet/batteriet. Dette systemet slår automatisk av strømmen til motoren for å forlenge apparatets og batteriets levetid. Apparatet stopper automatisk under bruk hvis apparatet eller batteriet utsettes for en av følgende tilstander:

Overlastsikring

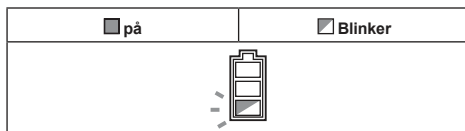
Når apparatet brukes på en måte som gjør at det bruker unormalt mye strøm, stopper apparatet automatisk. I denne situasjonen må du slå av apparatet og stanse bruken som forårsaket at det ble overopphetet. Slå deretter apparatet på for å starte det igjen.

Overopphetingsvern



Når apparatet blir overopphetet, stopper det automatisk og batteriindikatoren blinker i cirka 60 sekunder. I denne situasjonen må du la apparatet kjøle seg ned før du slår det på igjen.

Overutladingsvern



Når batterikapasiteten blir lav, stopper apparatet automatisk og batteriindikatoren blinker i cirka 60 sekunder. Hvis produktet ikke går selv om bryterne aktiveres, må du ta ut batteriet av apparatet og lade det.

Indikere gjenværende batterikapasitet

Trykk på sjekk-knappen på batteriet for vise gjenværende batterikapasitet. Indikatorlampene lyser i et par sekunder.

- Fig.15: 1. Indikatorlamper 2. Kontrollknapp

Indikatorlamper			Gjenværende batterinivå
Tent	Av	Blinker	
■	□	▧	75 % til 100 %
■ ■ ■ ■			
■ ■ ■ □			50 % til 75 %
■ ■ □ □			25 % til 50 %
■ □ □ □			0 % til 25 %
▧ □ □ □			Lad batteriet.
■ ■ □ □			Batteriet kan ha en feil.
□ □ ■ ■	↑ ↓		

MERK: Det angitte nivået kan avvike noe fra den faktiske kapasiteten alt etter bruksforholdene og den omgivende temperaturen.

MERK: Den første (helt til venstre) indikatorlampe vil blinke når batterisystemet fungerer.

Indikasjonspanel

- **Fig.16:** 1. Driftsmodus 2. For høyt støvnivå 3. Børsterullfeil 4. Gjenværende batterikapasitet 5. Knapp for batterikontroll/lampe

Driftsmodus

Informasjon om hvordan du endrer driftsmodus finnes i avsnittet om bryterfunksjon.

For høyt støvnivå

Hvis denne indikatoren lyser, skifter du ut filterposen. (Les avsnittet om hvordan filterposen tas ut.)

MERK: Det kan hende at denne indikatoren ikke fungerer i enkelte bruksmiljøer.

MERK: Indikatoren slår seg av automatisk ca. ett minutt etter at apparatet er slått av. Hvis du fjerner tilstoppingen i filterposen og starter apparatet på nytt, kan indikatoren slå seg av før det har gått ett minutt.

Børsterullfeil

Blinker	Børsterullen er av en eller annen grunn under høy belastning.
På	Børsterullen har stoppet av en eller annen grunn.





⚠ADVARSEL: Slå av apparatet umiddelbart når denne lampen lyser under bruk. Ellers kan motoren skjære seg og forårsake brann.

MERK: Lampen kan blinke hvis høyden på børsterullen er for lav mot teppets overflate. I dette tilfellet justerer du høyden på børsterullen.

Gjenværende batterikapasitet

Under bruk trykker du på knappen for batterikontroll/lampe for å indikere gjenværende batterikapasitet.

► **Fig.17**

Batterindikatorstatus			Gjenværende batterikapasitet
På	Av	Blinker	
			50 % til 100 %
			20 % til 50 %
			0 % til 20 %
			Lad batteriet

Knapp for batterikontroll/lampe

Følgende handlinger kan utføres.

- Trykk ganske enkelt på knappen for å vise gjenværende batterikapasitet.
- Trykk på og hold innen knappen under bruk for å slå lampene på/av.

Bryterfunksjon

- **Fig.18:** 1. Knapp for modusendring 2. PÅ/AV-knapp

Slå apparatet på/av

Trykk på PÅ/AV-knappen for å slå apparatet på og av.

⚠FORSIKTIG: Plasser alltid toppen av apparatet på gulvet når du slår på apparatet. Ellers kan det skje en ulykke som følge av sammenfiltring og forårsake personskade.

Endre driftsmodus

Det er tre driftsmoduser:

1. Lavt støynivå
2. Normal
3. Høy

Trykk på knappen for modusendring for å bytte driftsmodus. Driftsmodusen kan endres selv når apparatet er slått av. Apparatet starter i modusen du har angitt.

MERK: Støvsugeren starter i samme modus som siste drift. Hvis du tar ut batteriet mens motoren går etter at apparatet er slått av, kan det hende at støvsugeren ikke starter i samme modus som siste drift.

Slå lampen på/av

⚠️FORSIKTIG: Ikke se inn i lyset eller se direkte på lyskilden.

Apparatet er utstyrt med lamper.

Se avsnittet om knappen for batterikontroll/lampe for å få mer informasjon.

► Fig.19: 1. Lampe

Fotspak

⚠️FORSIKTIG: apparatet må alltid låses i stående stilling før du slipper håndtaket. Ellers kan apparatet velte og forårsake personskade.

⚠️FORSIKTIG: Pass på at du ikke får fingrene i klem mellom hoveddelen og toppen av apparatet.

Når du vil frigjøre apparatet fra den stående stillingen, trekker du på fotspaken og drar håndtaket bakover.

Bevegelsesområdet er 90 grader fra stående stilling.

► Fig.20: 1. Fotspak

Når du skal låse apparatet i stående stilling, løfter du opp håndtaket forover til fotspaken låser stillingen med et klikk.

► Fig.21

⚠️FORSIKTIG: Sørg for at du låser opp fotspaken før bruk. Hard håndtering kan forårsake skader på deler.

► Fig.22

MERK: Børsterullen slutter å rotere mens apparatet er i stående stilling.

Justere høyden på børsterullen

⚠️FORSIKTIG: Sørg alltid for at justeringsspaken er ordentlig i stilling før bruk.

Høyden på børsterullen kan justeres i 5 trinn.

Sett justeringsspaken i ønsket posisjon ved å henvise til følgende tabell.

Justere spakens posisjon	Høyde på børsterull
A (☒)	Børsterullen forblir posisjonert i øverste posisjon over gulvet. Dette er egnet for rengjøring av tepper med lange fibre.
B (☒)	Børsterullen posisjoneres lavere ned mot gulvet. Dette er egnet for rengjøring av harde gulv og tepper med korte fibre.
C (☒)	Børsterullen forlenges for å posisjoneres ned mot gulvet. Dette er effektivt ved dyprengjøring av tepper samt fjerning av skitt, støv og partikler som sitter godt fast i fibre.

► Fig.23: 1. Justeringsspak

MERK: Det kan hende at børsterullen ikke roterer hvis høyden på børsterullen er for lav mot teppets overflate.

Bærehåndtak

Når du bærer apparatet, skal du skyve apparatet kun med svinghjulene eller bære den ved å holde i bærehåndtaket/ene.

► Fig.24

⚠️FORSIKTIG: Når du skal bære apparatet, må du låse apparatet i stående stilling. Ellers kan det oppstå en fallulykke.

⚠️FORSIKTIG: Ikke bær apparatet med noe annet enn bærehåndtaket. Ellers kan det oppstå en fallulykke eller utilsiktet oppstart som forårsaker personskade.

► Fig.25

BRUK

⚠️FORSIKTIG: Ikke dra håndtaksstangen ut fra apparatet under bruk. Hvis du gjør det, kan du miste kontrollen over apparatet og bli alvorlig skadet.

⚠️FORSIKTIG: Ikke plasser hånden eller foten under apparatet under bruk. Ellers kan det oppstå en klemulykke.

⚠️FORSIKTIG: Ikke bruk apparatet i mørke omgivelser. Hvis du arbeider i dårlig lys, kan det oppstå ulykker.

Normal rengjøringsbruk

1. Hold i håndtaket, og deretter frigjør du innretningen fra stående stilling.
2. Slå på apparatet. Rengjør et gulv.

► Fig.26

Bruke sidebørsten

Sidebørsten er praktisk når du skal rengjøre i et hjørne. Hvis sidebørsten blir kort, leverer du apparatet til Makitas servicesenter for utskifting.

► Fig.27: 1. Sidebørste

Bruk med tilbehør

⚠️FORSIKTIG: Hold tak i håndtaket hele tiden når du bruker tilbehør. Ellers kan apparatet velte og forårsake personskade.

OBS: Når du skal bruke tilbehør, må du låse apparatet i stående stilling. Ellers kan gulvet bli skadet fordi børsterullen roterer.

Bruke aluminiumsrøret

Aluminiumsrøret er egnet for rengjøring på trange steder eller i høyden.

► Fig.28: 1. Aluminiumsrør

Bruke slangen

Slangen er egnet for rengjøring nær hendene dine.

► **Fig.29:** 1. Slange

Slangen brukes ved å trekke den ut av aluminiumsrøret mens du skyver spaken.

► **Fig.30:** 1. Spak

Slangen monteres ved å føre den inn i aluminiumsrøret til den klikker på plass.

► **Fig.31**

Bruke tilleggsutstyret

► **Fig.32**

For å sette på tilleggsutstyret vrir og fører du det godt inn i aluminiumsrøret eller slangen. Hvis du vil koble fra, vrir du og trekker det ut.

VEDLIKEHOLD

⚠FORSIKTIG: Forviss deg alltid om at apparatet er slått av og at batteriinnsetningen er tatt ut før du forsøker å foreta en inspeksjon eller noe vedlikehold.

OBS: Aldri bruk gasolin, bensin, tynner alkohol eller lignende. Det kan føre til misfarging, deformering eller sprekkdannelse.

For å opprettholde produktets SIKKERHET og PÅLITELIGHET, må reparasjoner, vedlikehold og justeringer utføres av autoriserte Makita servicesentre eller fabrikk-servicesentre, og det må alltid brukes reservedeler fra Makita.

Oppbevaring

Før oppbevaring skal batteriene tas ut, og apparatet skal oppbevares i stående stilling på jevnt underlag.

► **Fig.33**

Rengjøre apparatet

Fra tid til annen må du tørke av utsiden av støvsugerens (støvsugerhuset) med en klut fuktet i såpevann.

► **Fig.34**

Rengjøre HEPA-filteret

⚠FORSIKTIG: Ikke bruk støvsugerens uten filter eller hvis filteret er skittent eller ødelagt. Støv og partikler kan pumpes ut av støvsugerens, og brukeren kan utvikle luftveissykdommer.

OBS: For å bevare optimal sugeseffekt og ren avgass må filteret rengjøres regelmessig. Hvis du ikke får god nok sugeseffekt etter å ha rensset filteret, må du bytte det ut med et nytt.

OBS: For å hindre at filteret skades, må du ikke benytte deg av følgende til rengjøring av det:

- Luftstøvfjerner
- Høytrykksspyler
- Redskap laget av harde materialer, slik som metallbørster

1. Åpne støvboksedekselet, og ta ut filterposen. Frigjør krokene på filteret, og ta det ut av apparatet. ► **Fig.35:** 1. Krok

2. Bank støvet av filteret. Filteret kan vaskes med vann. Rens vekk støvet og partiklene fra filteret en gang hver måned/annen måned. Etterpå lar du filteret tørke helt på et skyggefullt og godt ventilert sted, for å unngå ubehagelig lukt eller funksjonsfeil.

3. For å sette inn filteret setter du siden uten kroker inn i sporet og skyver filteret til krokene låses på plass med et klikk.

► **Fig.36:** 1. Spor 2. HEPA-filter 3. Krok

Rengjøre børsterullen

1. Ta bort bunnplaten, og ta deretter ut børsterullen. Hvis busten på børsterullen blir kort, ber du Makitas servicesentre om den ny.

Å bruke apparatet med en børsterull med kort bust fører til dårlig støvsamling.

► **Fig.37:** 1. Bunnplate 2. Børsterull

2. Fjern tråder og hår fra børsterullen ved hjelp av saks.

Ta av dekselet, og fjern rester.

► **Fig.38:** 1. Deksel

3. Sett på plass dekselet, børsterullen og bunnplaten i motsatte rekkefølge.

► **Fig.39**

⚠FORSIKTIG: Plasser bunnplaten tilbake til sin opprinnelige posisjon, til de to låsespakene klikker på plass. Hvis apparatet brukes uten bunnplaten, kan børsterullen løsne og forårsake personskaade.

► **Fig.40:** 1. Bunnplate 2. Låsespak

OBS: Du må alltid sette inn børsterullen. Å bruke apparatet uten børsterullen fører til dårlig støvsamling.

Slik fjernes blokkeringen

OBS: Ikke bruk apparatet hvis inntaksstrømningsbanen er blokkert. Ved fortsatt bruk hvis inntaksstrømningsbanen er blokkert, vil sugeseffekten reduseres.

1. Ta bort bunnplaten, og ta deretter ut børsterullen.
2. Ta aluminiumsrøret bort fra apparatet og fra slangen.

3. Drei slangen mot klokken, og ta deretter slangen bort fra apparatet.

4. Ta bort sugeslangen ved å dra i tappen.

► **Fig.41:** 1. Bunnplate 2. Børsterull 3. Aluminiumsrør 4. Slange 5. Sugelange 6. Tapp

5. Undersøk inntaksstrømningsbanen for luft på innsiden av aluminiumsrøret og slangen samt sugeslangen.

Fjern skitt fra innsiden.

6. Innrett tangen på sugeslangen med sporet i huset, og skyv den på plass.

► **Fig.42:** 1. Tange 2. Spor

7. Monter slangen, aluminiumsrøret, børsterullen og bunnplaten.

⚠FORSIKTIG: Monter slangen og røret godt fast. Ellers kan støv lekke ut og forårsake personskade.

Støvpose

Valgfritt tilbehør

Støvposen kan brukes gjentatte ganger hvis den rengjøres.

Montere og fjerne støvposen

Fremgangsmåten for å montere og fjerne støvposen er den samme som for filterposen. Se avsnittene om montering og fjerning av filterposen.

► **Fig.43:** 1. Støvpose 2. Gummihette

OBS: Åpne gummihetten før du monterer støvposen. Før inn støvposen før du fester gummihetten.

Tømme støvposen

1. Lukk gummihetten for å forhindre at det flyter ut støv.

2. Åpne åpningen på posen ved å dra ut festemekanismen.

3. Tøm støvposen, og bank lett på den for å fjerne partikler som har festet seg til innsiden.

► **Fig.44:** 1. Støvpose 2. Gummihette 3. Festemekanisme

OBS: Hyppig tømning av støvposen. Posen kan revne lett hvis det er for mye støv i posen.

Rengjøring av støvposen

Du må rengjøre støvposen regelmessig med vann og såpe. Vend støvposen med innsiden ut og fjern støv som har klisset seg fast. Vask lett for hånd og skyll godt med vann. Den må være helt tørr før du setter den tilbake i støvsugeren.

► **Fig.45**

OBS: En fuktig støvpose svekker sugesugereffekten til støvsugeren og levetiden til motoren.

OBS: Når du monterer festemekanismen på støvposen, må du sørge for at åpningen på posen er lukket godt.

SYKLONTILBEHØR

Valgfritt tilbehør

► **Fig.46:** 1. Syklontilbehør

Om syklontilbehøret

Når du bruker støvsugeren med syklontilbehøret monteret, reduseres støvmengden som går inn i filterposen, noe som bidrar til å forhindre at sugekraften svekkes. Dessuten blir det enkelt å rengjøre etter bruk.

⚠FORSIKTIG: Forviss deg alltid om at verktøyet er slått av og batteriet tatt ut før du utfører noe arbeid på verktøyet. Hvis du lar batteriet stå i, kan støvsugeren starte opp utilsiktet og føre til personskade.

⚠FORSIKTIG: Rengjør syklontilbehørets maskefilter og støvsugerens filterpose når de blir tilstoppet. Fortsett bruk i tilstoppet tilstand kan føre til overoppheting eller røykdannelse.

OBS: Når syklontilbehøret er satt på, må du ikke bruke syklontilbehøret i horisontal eller oppovervendt stilling. Det vil føre til at maskefilteret blir tilstoppet.

OBS: Du må alltid bruke støvsugeren med filterposen monteret, selv når du bruker syklontilbehøret. Hvis du bruker støvsugeren uten filterposen monteret, kan motoren svikte.

MERK: Kontroller at syklontilbehøret, støvsugeren og det rette røret er låst før bruk.

MERK: Tøm syklontilbehørets støvboks og støvsugerens filterpose når det har samlet seg opp støv. Fortsett bruk vil føre til svekket sugekraft.

Montere syklontilbehøret

1. Drei munnstykket på slangen mot klokken og fjern slangen, rørgrepet og aluminiumsrøret fra apparatet.

► **Fig.47:** 1. Munnstykke 2. Slange 3. Rørgrep 4. Aluminiumsrør

2. Drei siden av stopperen på syklontilbehøret oppover, slik at stopperen er på linje med sporet på sugeinngangen. Lås stopperen ved å føre inn syklontilbehøret til det klikker på plass. Dra forsiktig i syklontilbehøret for å forsikre deg om at det ikke kan fjernes. Monter det rette røret på samme måte som syklontilbehøret.

► **Fig.48:** 1. Grep for syklontilbehør 2. Suageinngang 3. Syklontilbehør 4. Rett rør for syklontilbehør 5. Stopper 6. Låseknapp

3. Monter syklontilbehøret på apparatet, og drei munnstykket på slangen med klokken for å feste det.

► **Fig.49**

Avhending av støv

Når støv har samlet seg opp til streken for fullt på støvboksen, følger du fremgangsmåten nedenfor og kaster støvet.

1. Hold et godt tak i støvboksen, trykk på og hold

inne de to knappene, og ta av støvboksen.

► **Fig.50:** 1. Strek for fullt 2. Støvboks 3. Knapp (på to steder) 4. Maskefilter

2. Kast støvet i støvboksen, og fjern eventuelt støv og pulver som har festet seg til overflaten på maskefilteret.

3. Før støvboksen helt inn til de to knappene låser seg med et klikk.

► **Fig.51:** 1. Støvboks 2. Knapp (på to steder)

MERK: Hold godt fast i syklontilbehøret når du monterer støvboksen.

MERK: Kontroller at syklontilbehøret, støvsugerens og det rette røret er låst før tar støvsugerens i bruk igjen.

MERK: Støvsugerens indikator for høyt støvnivå lyser ikke når støvboksen til syklontilbehøret er full.

MERK: I følgende tilfeller kontrollerer du om det har samlet seg støv på innsiden av filterposen i støvsugerens eller om luftbanen er tettet. Fjern årsakene ved behov.

- Hvis innsugingsytelsen ikke forbedres etter at du har fjernet støv fra støvboksen og rengjort maskefilteret.
- Hvis indikatoren for høyt støynivå fortsetter å lyse.

Rengjøring

Når støvboksen blir tilsmusset eller maskefilteret tilstoppet, tar du dem av og vasker dem med vann. (Fremgangsmåte for å ta dem av finner du under "Avhending av støv".)

Tørk delene grundig før du setter dem tilbake og tar støvsugerens i bruk.

► **Fig.52:** 1. Støvboks 2. Maskefilter

Når maskefilteret blir veldig tilsmusset, rengjør du det på følgende måte.

1. Drei maskefilteret mot klokken, og ta det av mens krokene er i ulåst stilling.

► **Fig.53:** 1. Maskefilter 2. Krok

2. Fjern støvet på maskefilteret, og deretter vasker du det med vann. Til slutt tørker du det grundig.

3. Før maskefilteret inn i den nederste delen mens krokene er innrettet med porten. Drei maskefilteret med klokken til krokene låses med et klikk. Kontroller at maskefilteret sitter som det skal.

► **Fig.54:** 1. Maskefilter 2. Krok 3. Port

FEILSØKING

Inspirer utstyret selv før du bestiller reparasjon. Ikke prøv å demontere maskinen hvis du finner et problem som ikke er forklart i brukerveiledningen. I stedet skal du ta kontakt med et autorisert Makita-servicesenter, som alltid bruker reservedeler fra Makita til reparasjoner.

Symptom	Sannsynlig årsak	Løsning
Fungerer ikke	Batteriet er ikke satt inn på riktig måte.	Sett inn batteriet som beskrevet i denne håndboken.
	Batteriet er tomt for strøm.	Lad batteriet.
	Håndtaket er montert på feil måte.	Monter håndtaket godt fast som beskrevet i denne håndboken.
Børsterullen roterer ikke	apparatet er låst i stående stilling.	Frigjør apparatet fra stående stilling.
	Indikatoren for børsterullfeil lyser.	Undersøk at det ikke er noen sammenfiltrering rundt børsterullen (hus, deksel og kobling).
Dårlig sugeeffekt	Indikatoren for høyt støvnivå lyser.	Skift ut filterposen. Hvis filterposen ikke er full, bretter du ut filterposen og rister den for å fjerne tilstoppingen.
	⇒ Hvis det ikke hjelper å skifte ut filterposen ...	Rengjør eller skift ut HEPA-filteret. Undersøk at det ikke er rester som blokkerer slangen og røret.
	Rester er sammenfiltrert i børsterullen, og rotasjonshastigheten er nedsatt.	Undersøk at det ikke er noen sammenfiltrering rundt børsterullen (hus, deksel, kobling).
	Børsterullen er justert for høyt opp fra gulvet.	Senk høyden på børsterullen.
	Børsterullens bust har blitt kort.	Skift ut børsterullen. Senk høyden på børsterullen.
	apparatet brukes i lav modus.	Endre til den høyere driftsmodusen.
	Børsterullen er ikke montert.	Monter børsterullen.
	Røret eller slangen er montert på feil måte.	Monter røret eller slangen godt fast.

Symptom	Sannsynlig årsak	Løsning
Høy driftsstøy	apparatet brukes i høy modus.	Endre til den lavere driftsmodusen.
	Rester er sammenfiltret i børsterullen.	Undersøk at det ikke er noen sammenfiltring rundt børsterullen (hus, deksel og kobling).
	Filterposen er fylt med støv.	Skift ut filterposen.
	⇒ Hvis det ikke hjelper å skifte ut filterposen ...	Rengjør eller skift ut HEPA-filretet. Undersøk at det ikke er rester som blokkerer slangen og røret.
Indikatoren for høyt støvnivå blinker etter kort tids bruk	Filterposen er brettet.	Brett ut åpningen på filterposen før du setter den inn.
Lampen lyser ikke	Lampen er slått av.	Under bruk trykker du på og holder inne knappen for batterikontroll/lampe for å slå på lampen.
Det er vanskelig å bevege svinghjulet	Rester er sammenfiltret i svinghjulet.	Fjern restene fra svinghjulet.

VALGFRI TTILBEHØR

⚠️ FORSIKTIG: Det anbefales at du bruker dette tilbehøret eller verktøyet sammen med den Makita-maskinen som er spesifisert i denne håndboken. Bruk av annet tilbehør eller verktøy kan forårsake personskader. Tilbehør og verktøy må kun brukes til det formålet det er beregnet på.

Ta kontakt med ditt lokale Makita-servicesenter hvis du trenger mer informasjon om dette tilbehøret.

- Hjørnemunnstykke
- Rund børste
- Syklontilbehør
- HEPA-filter
- Filterpose
- Støvpose
- Makita originalbatteri og lader

MERK: Enkelte elementer i listen kan være inkludert som standardtilbehør i verktøypakken. Elementene kan variere fra land til land.

VAROITUS

- Tämä laite ei ole tarkoitettu sellaisten henkilöiden (lapset mukaan lukien) käytettäväksi, joiden fyysiset, sensoriset tai henkiset kyvyt tai kokemuksen tai tiedon puute estävät heitä käyttämästä laitetta turvallisesti.
- Lapsia tulee valvoa ja varmistaa, etteivät he pääse leikkimään imurilla.
- Tarkista akun tyyppi luvusta "TEKNISET TIEDOT".
- Katso akun irrotus- tai poisto-ohjeet osiosta "Akun asentaminen tai irrottaminen".
- Kun akkupaketti on hävitettävä, poista se työkalusta ja hävitä se turvallisesti. Hävitä akku paikallisten määräysten mukaisesti.
- Jos työkalua ei käytetä pitkään aikaan, akku on poistettava työkalusta.
- Älä oikosulje akkupakettia.
- Tarkista käyttäjän huoltotoimien aikana noudatettavat varoitetut luvusta "KUNNOSSAPITO".

TEKNISET TIEDOT

Malli:	VC010G
Suurin ilmatilavuus ^{*1}	1,8 m ³ /min
Imuteho ^{*1}	15 kPa
Kapasiteetti	5 l
Mitat (P x L x K)	326 mm x 381 mm x 1 146 mm
Nimellisjännite	DC 36 V – 40 V maks.
Nettopaino	8,0–9,2 kg

^{*1} Alkuperäismetodimme mukaisesti mitattu arvo.

- Jatkuvasta tutkimus- ja kehitystyöstämme johtuen esitetyt tekniset tiedot saattavat muuttua ilman erillistä ilmoitusta.
- Tekniset tiedot saattavat vaihdella maan mukaan.
- Paino sisältää lisävarusteet (pyöreän harjan, kulmasuuttimen) ja akkupaketit. Taulukossa on ilmoitettu kevyin ja painavin laite- ja akkupakettiyhdistelmän paino.

Käytettävä akkupaketti ja laturi

Akkupaketti	BL4020 / BL4025 / BL4040 / BL4040F / BL4050F / BL4080F
Laturi	DC40RA / DC40RB / DC40RC / DC40WA

- Tiettyjä yläpuolella kuvattuja akkuja ja latureita ei ehkä ole saatavana asuinalueestasi johtuen.

VAROITUS: Käytä vain edellä eriteltyjä akkupaketteja ja latureita. Muiden akkupakettien ja laturien käyttäminen voi aiheuttaa loukkaantumisen ja/tai tulipalon.

Symbolit

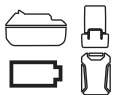
Laitteessa on mahdollisesti käytetty seuraavia symboleja. Opettele niiden merkitys ennen käyttöä.



Lue käyttöohje.



Noudata erityistä varovaisuutta ja kiinnitä huomiota.



Tälle tuotteelle sopiva malliakku.



Koskee vain EU-maita
Käytetyillä sähkö- ja elektroniikkalaitteilla, paristoilla ja akuilla voi olla negatiivisia ympäristö- ja terveysvaikutuksia niissä käytettyjen haitallisten osien takia. Älä hävitä sähkö- ja elektroniikkalaitteita tai akkuja kotitalousjätteen mukana! Vanhoja sähkö- ja elektroniikkalaitteita, paristoja ja akkuja koskevan EU-direktiivin ja sen perusteella laadittujen kansallisten lakien mukaan käytetyt sähkö- ja elektroniikkalaitteet, paristot ja akut on kierrätettävä toimittamalla ne erilliseen, ympäristönsuojelusäädösten mukaisesti toimivaan kierrätyspisteeseen. Tämä on ilmaistu laitteessa olevalla yliviedetyt roska-astian symbolilla.

Käyttötarkoitus

Laitte on tarkoitettu kuivan pölyn imuroimiseen. Laitte sopii kaupalliseen käyttöön esimerkiksi hotelleissa, kouluissa, sairaaloissa, tehtaissa, myymälöissä, toimitoissa tai vuokraamoissa.

Melutaso

Tyypillinen A-painotettu melutaso määräytyy standardin IEC60335-2-69 mukaan:

Äänenpainetaso (L_{pA}): 70 dB (A) tai vähemmän
Virhemarginaali (K): 2,5 dB (A)

Työskentelyn aikana melutaso voi ylittää 80 dB (A).

HUOMAA: Ilmoitetut melutasoarvot on mitattu standarditestausten menetelmän mukaisesti ja niiden avulla voidaan vertailla työkaluja keskenään.

HUOMAA: Ilmoitettuja melutasoarvoja voidaan käyttää myös altistumisen alustavaan arviointiin.

VAROITUS: Käytä kuulosuojaimia.

VAROITUS: Sähkötyökalun käytön aikana mitattu melutasoarvo voi poiketa ilmoitetuista arvoista laitteen käyttötavan ja erityisesti käsiteltävän työkappaleen mukaan.

VAROITUS: Selvitä käyttäjän suojaamiseksi tarvittavat varoimet todellisissa käyttöolosuhteissa tapahtuvan arvioitujen altistumisen mukaisesti (ottaen huomioon käyttöjako kokonaisuudessaan, myös jaksot, joiden aikana laite on sammutettuna tai käy tyhjäkäynnillä).

Tärinä

Kokonaistärinä (kolmen akselin vektorien summa)

määräytyy standardin IEC60335-2-69 mukaan:

Tärinäpäästö ($a_{h,m}$): 2,5 m/s² tai alhaisempi
Virhemarginaali (K): 1,5 m/s²

HUOMAA: Ilmoitetut kokonaistärinäarvot on mitattu standarditestausten menetelmän mukaisesti ja niiden avulla voidaan vertailla työkaluja keskenään.

HUOMAA: Ilmoitettuja kokonaistärinäarvoja voidaan käyttää myös altistumisen alustavaan arviointiin.

VAROITUS: Sähkötyökalun käytön aikana mitattu todellinen tärinäpäästöarvo voi poiketa ilmoitetuista arvoista laitteen käyttötavan ja erityisesti käsiteltävän työkappaleen mukaan.

VAROITUS: Selvitä käyttäjän suojaamiseksi tarvittavat varoimet todellisissa käyttöolosuhteissa tapahtuvan arvioitujen altistumisen mukaisesti (ottaen huomioon käyttöjako kokonaisuudessaan, myös jaksot, joiden aikana laite on sammutettuna tai käy tyhjäkäynnillä).

Vaatimustenmukaisuusvaatimukset

Koskee vain Euroopan maita

Vaatimustenmukaisuusvakuutukset on liitetty tähän käyttöoppaaseen liitteeksi A.

TURVAVAROITUKSET

Akkukäyttöisen pölynimurin turvaohjeet

VAROITUS: LUE HUOLELLISESTI kaikki turvavaroitukset ja käyttöohjeet ENNEN KÄYTTÖÄ. Jos varoitusten ja ohjeiden noudattaminen laiminlyödään, seurauksena voi olla sähköisku, tulipalo ja/tai vakava vammautuminen.

1. Varmista, ennen käyttöä, että tämän imurin käyttäjillä on riittävä käyttökoulutus.
2. Älä käytä laitetta ilman suodatinpussia ja/ tai suodattimia. Vainda vaurioitunut suodatin välittömästi uuteen.
3. ESTÄ TAHATON KÄYNNISTYMINEN. Varmista, että kytkin on asennossa OFF akun (akkujen) asennuksen aikana.
4. Älä imuroi palavia aineita, ilotulitteita, palavia savukkeita, kuumaa tuhkaa, kuumia metallilastuja tai teräviä esineitä, kuten partateriä, neuloja, lasinsirpaleita tms.
5. ÄLÄ KOSKAAN KÄYTÄ IMURIA, JOS LÄHELLÄ ON BENSIINIÄ, KAASUA, MAALIA, LIIMAA TAI MUITA RÄJÄHDYSALTTEITA AINEITA. Kytkimestä lähtee kipinä, kun se kytketään päälle tai pois päältä. Myös moottorin kommutaattori kipinöi käytön aikana. Seurauksena voi olla vaarallinen räjähdys.
6. Tämä pölynimuri ei sovellu vaarallisen pölyn keräämiseen.
7. Älä koskaan imuroi myrkyllisiä, karsinogeenisiä, syttyviä tai muuten haitallisia aineita, kuten asbestia, arsenikkia, bariumia, berylliumia, lyijyä, hyönteisimyrkkyjä tai muita terveydelle vaarallisia aineita.
8. Älä imuroi vaahtoa, kuten matonpuhdistusainetta tms. Se voi aiheuttaa räjähdyksen tai tulipalon.
9. Älä käytä ulkona tai märillä pinnoilla.
10. Suomessa tätä konetta ei pidä käyttää ulkona alhaisissa lämpötiloissa.
11. Älä käytä laitetta lämmönlähteiden (uunin tms.) läheisyydessä.
12. Älä tuki imupäätä/puhalluspäätä/jäähdytysaukkoja. Moottori jäähdytetään näiden aukkojen kautta. Ne tulee pitää avoimina, sillä muutoin moottori palaa kiinni puutteellisen ilmanvaihdon takia.
13. Älä taita tai kisko letkua äläkä astu sen päälle.
14. Pysäytä imuri heti, jos se ei toimi täydellä teholla tai toimii muuten epänormaalisti.
15. POISTA AKKU (AKUT). Kun imuri ei ole käytössä ennen imurin huoltoa tai sen lisävarusteiden vaihtoa.
16. Puhdista ja huolla imuri aina heti käytön jälkeen, jotta se pysyy optimaalisessa käyttökunnossa.
17. HUOLLA IMURIA SÄÄNNÖLLISESTI. Pidä imuri puhtaana, jotta sen suorituskyky ja turvallisuus säilyvät. Noudata lisävarusteiden

- vaihtamista koskevia ohjeita. Pidä kahvat kuivina ja puhtaina öljystä ja rasvasta.
18. **TARKISTA, ONKO IMURISSA VAURIOITA.** Varmista, että suojukset tai muut vaurioituneet osat toimivat tarkoituksensa mukaisella tavalla oikein. Varmista, että liikkuvat osat ovat oikeissa asennoissa ja pääsevät liikkumaan esteettä. Tarkasta myös osien eheys, kiinnitykset sekä muut toimintaan mahdollisesti vaikuttavat seikat. Suojus tai muu vaurioitunut osa tulee viedä valtuutettuun huoltoliikkeen korjattavaksi tai vaihdettavaksi, jollei tässä käyttöoppaassa muuta mainita. Vaihdatta epäkuntoiset kytkimet valtuutetussa huoltoliikkeessä. Älä käytä imuria, jos sitä ei voi kytkeä päälle tai pois päältä virtakytkimellä.
 19. **VARAOSAT.** Käytä huoltojen yhteydessä ainoastaan alkuperäisiä osia vastaavia varaosia.
 20. Säilytä imuria aina sisätiloissa, kun sitä ei käytetä.
 21. Käsittele imuria varoen. Kovakourainen käsittely voi rikkoa vahvatekoisimmankin imurin.
 22. Älä käytä imurin ulko- tai sisäpintojen puhdistamiseen bensiiniä, ohenteita tai puhdistusaineita. Ne voivat aiheuttaa halkeamia tai värjäytyä.
 23. Älä käytä imuria suljetuissa tiloissa, jossa säilytetään palavia, räjähtäviä tai myrkyllisiä höyryjä tuottavia aineita, kuten öljypohjaisia maaleja, maaliohenteita, bensiiniä ja tiettyjä koinestoaineita tms. Vältä myös tiloja, joissa on tulenarkaa pölyä.
 24. Älä käytä tätä laitetta tai muita laitteita lääkkeiden tai alkoholin vaikutuksen alaisena.
 25. Käytä käyttöympäristön mukaisia henkilösuojaimia, kuten kasvomaskia.
 26. Tämä laite ei ole tarkoitettu sellaisten henkilöiden (lapset mukaan lukien) käytettäväksi, joiden fyysiset, sensoriset tai henkiset kyvyt tai kokemuksen tai tiedon puute estävät heitä käyttämästä laitetta turvallisesti.
 27. Lapsia tulee valvoa ja varmistaa, etteivät he pääse leikkimään imurilla.
 28. Älä koskaan käsittele akkua (akkuja) ja imuria märin käsin.
 29. Ole erityisen varovainen portaita siivotessasi.
 30. Älä käytä imuria epävakaisissa tai kaltevilla paikoissa, jotta se ei kaadu ja aiheuta vammoja tai vaurioita.
 31. Seiso tukevassa asennossa ja säilytä tasapainosi koko työn ajan.
 32. Älä käytä imuria istuimenä tai työtasana. Laite voi pudota ja aiheuttaa vammoja.
 33. Pidä kaikki ruumiinosat ja vaatteet poissa aukkojen ja liikkuvien osien, kuten pyörivän harjarullan, luota. Muutoin ne voivat tarttua laitteeseen ja tämä voi aiheuttaa vammoja.

Akkukäyttöisen työkalun käyttö ja hoito

1. Lataa akkua vain valmistajan määrittämällä laturilla. Tietyille akkupaketille sopiva laturi voi aiheuttaa tulipalovaaran, jos sitä käytetään muuntotyypisen akkupaketin yhteydessä.

2. Käytä sähkötyökaluja vain määrittysten mukaisten akkujen kanssa. Muuntotyyppisten akkujen käyttäminen voi aiheuttaa loukkaantumista tulipalovaaran.
3. Kun akku ei ole käytössä, säilytä se erillään metalliesineistä, kuten paperiliittimistä, kolikoista, avaimista, nautoista, ruuveista ja muista pienistä metalliesineistä, jotka voivat yhdistää akun navat. Akun napojen oikosulkeminen voi aiheuttaa palovamman tai tulipalon.
4. Akusta voi vuotaa nestettä, jos sitä käsitellään väärin. Vältä kosketusta. Jos nestettä pääsee iholle vahingossa, huuhtele iho vedellä. Jos nestettä pääsee silmiin, hakeudu lääkärin hoitoon. Ulos purkautunut akkuneste voi ärsyttää ihoa tai aiheuttaa palovammoja.
5. Älä käytä viallista tai muunneltua akkua tai työkalua. Vialliset tai muunnellut akut voivat toimia odottamattomasti aiheuttamalla tulipalo-, räjähdys- tai tapaturmavaaran.
6. Älä altista akkua tai työkalua tullelle tai äärimmäisille lämpötiloille. Altistus tullelle tai yli 130 °C lämpötiloille voi aiheuttaa räjähdyksen.
7. Noudata kaikkia latausohjeita, äläkä lataa akkua tai työkalua ohjeissa määritettyjen lämpötilarajojen ulkopuolella. Väärin tai ohjeissa määritettyjen lämpötilarajojen ulkopuolella suoritettu lataus voi aiheuttaa akkuvaurion ja kasvattaa tapaturmavaaraa.

SÄILYTÄ NÄMÄ OHJEET.

VAROITUS: ÄLÄ anna työkalun helppokäyttöisyyden (toistuvan käytön aikaansaama) johtaa sinua väärään turvallisuuden tunteeseen niin, että laiminlyöt työkalun turvaohjeiden noudattamisen. **VÄÄRINKÄYTTÖ** tai tässä käyttöohjeessa ilmoitettujen turvämääräysten laiminlyönti voi aiheuttaa vakavia henkilövahinkoja.

Akkupakettia koskevia tärkeitä turvaohjeita

1. Ennen akun käyttöönottoa tutustu kaikkiin laturissa (1), akussa (2) ja akkukäyttöisessä tuotteessa (3) oleviin varoitusteksteihin.
2. Älä pura tai peukaloi imuria akkupakettia. Se voi johtaa tulipaloon, ylikuumentumiseen tai räjähdykseen.
3. Jos akun toiminta-aika lyhenee merkittävästi, lopeta akun käyttö. Seurauksena voi olla ylikuumentuminen, palovammoja tai jopa räjähdys.
4. Jos akkuneustettä pääsee silmiin, huuhtele puhtaalla vedellä ja hakeudu välittömästi lääkärin hoitoon. Akkuneste voi aiheuttaa näön menetyksen.
5. Älä oikosulje akkua.
 - (1) Älä koske akun napoihin millään sähköä johtavalla materiaalilla.
 - (2) Vältä akun oikosulkemista äläkä säilytä akkua yhdessä muiden metalliesineiden, kuten nautojen, kolikoiden ja niin edelleen kanssa.
 - (3) Älä aseta akkua alttiiksi vedelle tai

sateelle.

Oikosulku voi aiheuttaa virtapiikin, yli-kuumentumista, palovammoja tai laitteen rikkoontumisen.

6. Älä säilytä ja käytä työkalua ja akkupakettia paikassa, jossa lämpötila voi nousta 50 °C:een (122 °F) tai korkeammaksi.
7. Älä hävitä akkua polttamalla, vaikka se olisi pahoin vaurioitunut tai täysin loppuun kulunut. Avotuli voi aiheuttaa akun räjähtämisen.
8. Älä naulaa, leikkaa, purista, heitä tai pudota akkupakettia tai iske sitä kovia esineitä vasten. Tällaiset toimet voivat johtaa tulipaloon, ylikuumentumiseen tai räjähdykseen.
9. Älä käytä viallista akkua.
10. Sisältyviä litium-ioni-akkuja koskevat vaarallisten aineiden lainsäädännön vaatimukset.

Esimerkiksi kolmansien osapuolten huolintaliikkeiden tulee kaupallisissa kuljetuksissa noudattaa pakkaamista ja merkintöjä koskevia erityisvaatimuksia.

Lähetettävän tuotteen valmistelu edellyttää vaarallisten aineiden asiantuntijan neuvontaa. Huomioi myös mahdollisesti yksityiskohtaisemmat kansalliset määräykset

Akun avoimet liittimet tulee suojata teipillä tai suojuksella ja pakkaaminen tulee tehdä niin, ettei akku voi liikkua pakkauksessa.

11. Kun akkupaketti on hävitettävä, poista se laitteesta ja hävitä se turvallisesti. Hävitä akku paikallisten määräysten mukaisesti.
12. Käytä akkuja vain Makitan ilmoittamien tuotteiden kanssa. Akkujen asentaminen yhteensopimattomiin tuotteisiin voi aiheuttaa tulipalon, liiallisen ylikuumentumisen, räjähdyksen tai akkunesteuotoja.
13. Jos laitetta ei käytetä pitkään aikaan, akku on poistettava laitteesta.
14. Akkupaketin lämpötila voi käytön aikana ja sen jälkeen nousta niin kuumaksi, että se voi

aiheuttaa palovammoja tai lieviä palovammoja. Käsittele kuumia akkupaketteja huolellisesti.

15. Älä kosketa työkalun liitintä välittömästi käytön jälkeen, sillä se voi olla riittävän kuuma aiheuttamaan palovammoja.
16. Älä päästä lastuja, pölyä tai maata akkupaketin liittimiin, aukkoihin ja uriin. Se voi johtaa työkalun tai akkupaketin lämpenemiseen, syttymiseen, purkautumiseen tai toimintahäiriöön, mikä voi aiheuttaa palovammoja tai vammoja.
17. Ellei työkalu tue käyttöä korkeajännitelinjoihin lähellä, älä käytä akkupakettia korkeajännitelinjoihin lähellä. Se voi johtaa työkalun tai akkupaketin toimintahäiriöön tai rikkoutumiseen.
18. Pidä akku poissa lasten ulottuvilta.

SÄILYTÄ NÄMÄ OHJEET.

⚠HUOMIO: Käytä vain alkuperäisiä Makita-akkuja. Muiden kuin aitojen Makita-akkujen, tai mahdollisesti muutettujen akkujen käyttö voi johtaa akun murtumiseen ja aiheuttaa tulipaloja, henkilö- ja omaisuusvahinkoja. Se mittatöi myös Makita-tökalun ja -laturin Makita-takuun.

Vihjeitä akun käyttöön pidentämiseksi

1. Lataa akku ennen kuin se purkautuu täysin. Lopeta aina työkalun käyttö ja lataa akku, jos huomaat työkalun tehon vähenevän.
2. Älä koskaan lataa uudestaan täysin ladattua akkua. Yililataaminen lyhentää akun käyttöikää.
3. Lataa akku huoneen lämpötilassa välillä 10 °C - 40 °C. Anna kuuman akun jäähtyä ennen lataamista.
4. Irrota akkupaketti työkalusta tai laturista, kun sitä ei käytetä.
5. Lataa akkupaketti, jos et käytä sitä pitkään aikaan (yli kuusi kuukautta).

OSIEN KUVAUS

► Kuva1

1	Kahva	2	Kytinlevy	3	Tartuntavarsi	4	Letku
5	Ilmainsipaneeli	6	Vipu (pölylokeron kannelle)	7	Pölylokeron kansi	8	Kantokahva
9	Akkupaketti	10	Säätövipu	11	Kulmasuutin	12	Pyöreä harja
13	Jalkavipu	14	Rullapöytä	15	Sivuharja	16	Imuletku
17	Liitinos	18	Alumiiniputki	19	Putken pidike	20	Lamppu
21	Harjarulla	22	Alalevy	23	Tilanvaihtopainike	24	ON/OFF-painike
25	Toimintatilan ilmaisin	26	Liiallisen pölymäärän ilmaisin	27	Harjarullan virheilmaisin	28	Jäljellä olevan akkukapasiteetin ilmaisin
29	Akun tarkistus-/lamppupainike	-	-	-	-	-	-

KOKOONPANO

▲HUOMIO: Varmista aina ennen mitään työkalulle tehtäviä toimenpiteitä, että se on sammutettu ja akku irrotettu.

▲HUOMIO: Käytä aina pölysuojainta asennuksen tai huollon aikana.

Kahvan kytkeminen

1. Aseta kahvan varsi kuvan mukaisesti kokonaan imuriin runkoon.
 2. Sulje lukitussalpa.
- **Kuva2:** 1. Kahvan varsi 2. Punainen merkki
3. Lukitussalpa

HUOMAUTUS: Työnnä kahva pohjaan asti, niin että punaista merkkiä ei enää näy.

Letkun kytkeminen

Työnnä letku laitteen liitäntään ja käännä letkua, kunnes se lukittuu paikalleen.

- **Kuva3:** 1. Asennusliitäntä

Putken kytkeminen

Aseta alumiiniputken kärki liitososaan ja kiinnitä sitten alumiiniputki putken pidikkeeseen.

- **Kuva4:** 1. Liitinosa 2. Putken pidike

HUOMAUTUS: Aseta alumiiniputki oikein päin kuvan mukaisesti. Muutoin putken pidike ei lukitu ja alumiiniputki voi irrota.

- **Kuva5**

Akun asentaminen tai irrottaminen

▲HUOMIO: Sammuta laite aina ennen akkupaketin asentamista tai irrottamista.

▲HUOMIO: Pidä imurista ja akkupaketista tiukasti kiinni, kun asennat tai irrotat akkupakettia. Jos akkupaketti tai imuri putoaa käsistäsi, ne voivat vaurioitua tai aiheuttaa loukkaantumisen.

▲HUOMIO: Varo jättämästä sormiasi väliin asentaessasi akkupakettia. Muuten seurauksena voi olla henkilövamma.

▲HUOMIO: Älä asenna/irrota akkupakettia märin käsin. Sähköiskun vaara.

Sovita akkupaketin kieleke kotelon uraan ja liu'uta akkupaketti sitten paikoilleen. Työnnä sitä, kunnes se naksahtaa lukkoon.

- **Kuva6:** 1. Akku 2. Painike

Irrota akkupaketti liu'uttamalla sen etuosassa olevaa painiketta ylöspäin ja ottamalla se pois laitteesta.

▲HUOMIO: Paina akkupaketti aina täysin paikalleen. Jos se ei ole kunnolla paikallaan, se voi pudota laitteesta ja aiheuttaa vammoja joko itsellesi tai sivullisille.

▲HUOMIO: Älä käytä voimaa akun asennuksessa. Jos akku ei liu'u paikalleen helposti, se on väärässä asennossa.

Suodatinpussin asentaminen

▲HUOMIO: Älä käytä viallista suodatinpussia. Käytä aina imurissa oikein asennettua suodatinpussia. Muuten imuroitu pöly tai hiukkaset voivat päästä ulos imurista ja aiheuttaa hengityselinsairauksia käyttäjälle.

Asenna suodatinpussi ennen imurin käyttämistä. Suodatinpussi on kertakäyttöinen. Heitä täysi suodatinpussi pois sellaisenaan tyhjentämättä sitä.

HUOMAUTUS: Kun suodatinpussi täyttyy tai tukkeutuu, vaihda se uuteen. Täyden tai tukkeutuneen suodatinpussin jatkuva käyttö johtaa pienentyneeseen imutehoon.

HUOMAUTUS: Pölyn pääsyn estäminen moottoriin:

- Varmista ennen käyttöä, että suodatinpussi on asennettu paikalleen.
- Älä käytä rikkinäistä tai viallista pussia.

Muussa tapauksessa seurauksena voi olla moottorivaurio.

HUOMAUTUS: Älä taita pahvia sen avauskohdasta suodatinpussin asentamisen aikana.

HUOMAUTUS: Imurin suodatinpussi on tärkeä osa laitteen suorituskyvyn säilyttämisen kannalta. Muiden kuin aitojen suodatinpussien käyttö voi johtaa savuttamiseen tai syttymiseen.

HUOMAA: Kun laitteessa ei ole suodatinpussia, pölylokeroon kansi ei sulkeudu kokonaan.

HUOMAA: Uudelleenkäytettävä pölypussi on esiasennettu eräissä maissa ja eräillä alueilla. Voit noudattaa samoja asennus-/irrotusohjeita kuin suodatinpussin kanssa.

1. Vapauta vipu ja avaa pölylokeroon kansi.

- **Kuva7:** 1. Vipu 2. Pölylokeroon kansi

2. Avaa suodatinpussi kokonaan.

- **Kuva8**

3. Avaa salpa ja aseta suodatinpussi pidikkeen hahloon merkillä \triangle merkitty puoli edellä.

- **Kuva9:** 1. Salpa 2. Hahlo 3. Suodatinpussi 4. Pidike

- **Kuva10:** 1. Merkki 2. Aukko

HUOMAA: Varmista, että vain pahvissa oleva merkki näkyy pidikkeen aukosta.

4. Kiinnitä pidikkeen salpa.

- **Kuva11:** 1. Salpa

5. Avaa suodatinpussi, jos se on taittunut.

- **Kuva12**

6. Lukitse pölylokeron kansi kunnolla.

▲HUOMIO: Varo, etteivät sormesi jää väliin salvan kiinnittämisen ja pölylokeron kannen sulkemisen aikana.

Suodatinpussin poistaminen

▲HUOMIO: Käsittele suodatinpussia varoen. Muutoin tuuli voi puhaltaa vierasesineitä ihmisten silmiin, mikä voi johtaa vammoihin.

Vaihda suodatinpussi, kun se tulee täyteen tai tukkeutuu.

Avaa pölylokeron kansi, avaa salpa ja poista suodatinpussi.

► **Kuva13:** 1. Salpa

Sulje suodatinpussi sen aukon sivussa olevasta liuskasta vetämällä ja hävitä koko suodatinpussi.

► **Kuva14:** 1. Liuska

HUOMAUTUS: Älä käytä suodatinpussia uudelleen. Suodatinpussi on tarkoitettu kertakäyttöiseksi. Suodatinpussin toistuva käyttö voi johtaa suodattimen tukkeutumiseen ja laitteen vaurioitumiseen.

TOIMINTOJEN KUVAUS

▲HUOMIO: Varmista aina ennen säätöjä ja tarkastuksia, että laite on sammutettu ja akkupaketti irrotettu.

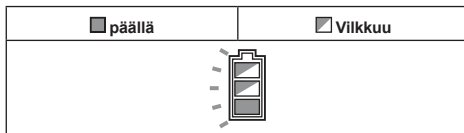
Laitteen/akun suojausjärjestelmä

Laite on varustettu laitteen/akun suojausjärjestelmällä. Tämä järjestelmä pidentää laitteen ja akun käyttöikää katkaisemalla moottorin virran automaattisesti. Laite sammuu automaattisesti käytön aikana, jos laite tai akku joutuu johonkin seuraavista olosuhteista:

Ylikuormitussuoja

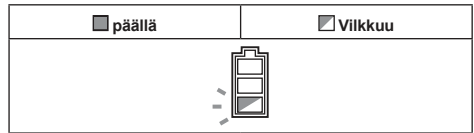
Kun laitetta käytetään tavalla, joka saa sen kuluttamaan epätavallisen paljon virtaa, laite pysähtyy automaattisesti. Katkaise tässä tilanteessa laitteesta virta ja lopeta ylikuormitustilan aiheuttanut käyttö. Käynnistä sitten laite uudelleen kytkemällä virta.

Ylikuumenemissuoja



Kun laite ylikuumentuu, se pysähtyy automaattisesti ja akku ilmaisin vilkkuu noin 60 sekunnin ajan. Tässä tapauksessa anna laitteen jäähtyä, ennen kuin kytket sen uudelleen päälle.

Ylipurkautumissuoja



Kun akkukapasiteetti alkaa loppua, laite pysähtyy automaattisesti ja akun ilmaisin vilkkuu noin 60 sekunnin ajan. Jos tuote ei toimi, vaikka kytkimiä käytetään, irrota akku laitteesta ja lataa se.

Akun jäljellä olevan varaustason ilmaisin

Painamalla tarkistuspainiketta saat näkyviin akun jäljellä olevan varauksen. Merkkivalot palavat muutaman sekunnin ajan.

► **Kuva15:** 1. Merkkivalot 2. Tarkistuspainike

Merkkivalot			Akussa jäljellä olevan varaustason taso
Palaa	Pois päältä	Vilkkuu	
■ ■ ■ ■	□	□	75% - 100%
■ ■ ■ □	□	□	50% - 75%
■ ■ □ □	□	□	25% - 50%
■ □ □ □	□	□	0% - 25%
■ □ □ □	□	□	Lataa akku.
■ □ □ □	□	□	Akussa on saatantun ollen toimintahäiriö.
□ □ ■ ■	□	□	

HUOMAA: Ilmoitettu varaustaso voi erota hieman todellisesta varaustasosta sen mukaan, millaisissa oloissa ja missä lämpötilassa laitetta käytetään.

HUOMAA: Ensimmäinen (vasemmanpuoleisin) merkkivalo vilkkuu, kun akun suojausjärjestelmä on toiminnassa.

Ilmaisinpaneeli

► **Kuva16:** 1. Toimintatila 2. Liiallinen pölymäärä 3. Harjarullan virhe 4. Jäljellä oleva akkukapasiteetti 5. Akun tarkistus-/lampupainike

Toimintatila

Katso toimintatilan vaihto-ohjeet kytkimen käyttämistä käsittelevästä osiosta.

Liiallinen pölymäärä

Jos tämä ilmaisin syttyy, vaihda suodatinpussi. (Katso ohjeet suodatinpussin irrottamista käsittelevästä osiosta.)

HUOMAA: Tämä ilmainen ei ehkä toimi kaikissa käyttöympäristöissä.

HUOMAA: Ilmainen sammuu automaattisesti noin minuutti sen jälkeen, kun laite on sammutettu. Jos poistat suodatinpussin tukkeutumisen ja käynnistät laitteen uudelleen, ilmaisiin sammuu jopa minuutissa.

Harjarullan virhe

Viilkuu	Harjarulla on jostain syystä suuren kuormituksen kohteena.
Päällä	Harjarulla on pysähtynyt epänormaalisti.









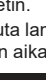



VAROITUS: Sammuta laite välittömästi, jos tämä lamppu syttyy käytön aikana. Muutoin moottorissa voi ilmetä toimintahäiriö, ja seurauksena voi olla tulipalo.

HUOMAA: Lamppu saattaa vilkkua, jos liian matalalla oleva harjarulla ottaa kiinni mattoon. Säädä tässä tapauksessa harjarullan korkeutta.

Jäljellä oleva akkukapasiteetti

Voit tarkistaa jäljellä olevan akkukapasiteetin käytön aikana painamalla akun tarkistus-/lamppupainiketta.

► Kuva17

Akun merkivalon tila			Akussa jäljellä oleva varaus
Päällä	Pois päältä	Vilkkuu	
			50 % - 100 %
			20 % - 50 %
			0 % - 20 %
			Lataa akku

Akun tarkistus-/lamppupainike

Seuraavat toimenpiteet voidaan suorittaa.

- Painamalla painiketta saat näkyviin jäljellä olevan akkukapasiteetin.
- Syytä/sammuta lamput pitämällä painiketta painettuna käytön aikana.

Kytkimen käyttäminen

► Kuva18: 1. Tilanvaihtopainike 2. ON/OFF-painike

Laitteen kytkeminen päälle/pois päältä

Kytke laite päälle ja pois päältä painamalla ON/OFF-painiketta.

HUOMIO: Aseta laitteen pää aina lattiaa vasten, kun kytket laitteen päälle. Muutoin voit jäädä laitteeseen kiinni ja se voi aiheuttaa vammoja.

Toimintatilan vaihtaminen

Toimintatiloja on kolme:

1. Alhainen melutaso
2. Normaaali
3. Korkea

Voit vaihtaa toimintatilan painamalla tilanvaihtopainiketta. Toimintatila voidaan vaihtaa myös silloin, kun laite on sammutettu. Laite käynnistyy asetetussa tilassa.

HUOMAA: Imuri käynnistyy samassa tilassa kuin edellisellä kerralla. Jos akku irrotetaan moottorin käynnistyksen jälkeen, imuri ei välttämättä käynnisty samassa tilassa kuin edellisellä kerralla.

Lampun syyttäminen/ sammuttaminen

HUOMIO: Älä katso suoraan lampuun tai valonlähteeseen.

Laite on varustettu lamppuilla.

Lisätietoja käytöstä on akun tarkistus-/lamppupainikkeen käyttöä käsittelevässä kappaleessa.

► Kuva19: 1. Lamppu

Jalkavipu

HUOMIO: Lukitse laite aina pystyasentoon, kun päästät irti kahvasta. Muutoin laite voi kaatua vahingossa ja aiheuttaa vammoja.

HUOMIO: Varo, etteivät sormesi jää puristuksiin laitteen rungon ja laitteen pään väliin.

Voit vapauttaa laitteen pystyasennosta painamalla jalkavipua ja vetämällä kahvaa taaksepäin.

Liikerata on 90 astetta pystyasennosta.

► Kuva20: 1. Jalkavipu

Voit lukita laitteen pystyasentoon nostamalla kahvaa eteenpäin, kunnes jalkavipu lukittuu paikalleen naksauttaen.

► Kuva21

HUOMIO: Muista vapauttaa jalkavipu ennen käyttöä. Kovakourainen käsittely saattaa aiheuttaa osien rikkoutumista.

► Kuva22

HUOMAA: Kun laite on pystyasennossa, harjarulla ei pyöri.

Harjarullan korkeuden säätäminen

⚠HUOMIO: Varmista aina ennen käyttöä, että säätövipu on paikallaan.

Harjarullassa on 5 korkeuden säätöpykälää. Käännä säätövipu haluamaasi asentoon seuraavan taulukon mukaisesti.

Säätövivun asento	Harjarullan korkeus
A (☐)	Harjarulla pysyy ylhäällä lattiasta, mikä sopii pitkäkarvaisten mattojen puhdistamiseen.
B (▢)	Harjarulla on lähempänä lattiaa, mikä sopii koviin lattioiden ja lyhytkarvaisten mattojen puhdistamiseen.
C (◻)	Harjarulla sijoitetaan lattialle tehokasta mattojen syväpuhdistusta ja kuituihin uponneen lian, pölyn ja hiukkasten poistamista varten.

► Kuva23: 1. Säätövipu

HUOMAA: Harjarulla ei ehkä pyöri, jos liian matalalla oleva harjarulla ottaa kiinni mattoon.

Kantokahva

Kun siirät laitetta, työnnä sitä rullapyörien varassa tai kannan sitä kantokahvasta.

► Kuva24

⚠HUOMIO: Kun kannat laitetta, lukitse laite pystyasentoon. Muutoin seurauksena voi olla onnettomuuteen johtava kaatuminen.

⚠HUOMIO: Älä kannan laitetta muusta kuin kantokahvasta. Muutoin seurauksena voi olla onnettomuuteen johtava kaatuminen tai vammaan johtava tahaton käynnistyminen.

► Kuva25

TYÖSKENTELY

⚠HUOMIO: Älä vedä kahvan vartta irti laitteesta käytön aikana. Muutoin laite voi karata hallinnasta ja aiheuttaa vakavia vammoja.

⚠HUOMIO: Älä aseta kättä tai jalkaasi laitteen alle sen käytön aikana. Muutoin seurauksena voi olla onnettomuuteen johtava kiinni jääminen.

⚠HUOMIO: Älä käytä laitetta, jos valoa on vähän. Huonossa valossa työskentelemisestä saat-
taa seurata odottamaton tapaturma.

Normaali imurointi

1. Tartu kahvasta ja vapauta laite pystyasennosta.
2. Kytke laite päälle. Imuroi lattia.

► Kuva26

Sivuharjan käyttäminen

Sivuharja on kätevä seinän kulmien imuroimisessa. Jos sivuharjan harjakset lyhenevät, vaihdata sivuharja Makita-huollossa.

► Kuva27: 1. Sivuharja

Lisävarusteiden käyttäminen

⚠HUOMIO: Pidä kahvasta kiinni lisävarusteiden käytön aikana. Muutoin laite voi kaatua vahingossa ja aiheuttaa vammoja.

HUOMAUTUS: Kun käytät lisävarusteita, lukitse laite pystyasentoon. Muutoin harjarullan pyöriminen voi vahingoittaa lattiaa.

Alumiiniputken käyttäminen

Alumiiniputki sopii ahtaiden tai korkealla olevien kohteiden imuroimiseen.

► Kuva28: 1. Alumiiniputki

Letkun käyttäminen

Letku sopii käsien lähellä sijaitsevien kohteiden imuroimiseen.

► Kuva29: 1. Letku

Kun haluat käyttää letkua, vedä letku irti alumiiniputkesta samalla, kun painat vipua.

► Kuva30: 1. Vipu

Asenna letku työntämällä sitä alumiiniputkeen, kunnes se naksauttaa kiinni.

► Kuva31

Lisävarusteiden käyttäminen

► Kuva32

Kiinnitä lisävaruste alumiiniputken tai letkun päähän työntämällä lisävaruste paikalleen sitä samalla kääntäen. Irrota se kääntämällä ja vetämällä.

KUNNOSSAPITO

⚠HUOMIO: Varmista aina ennen tarkastusta tai huoltoa, että laite on sammutettu ja akkupaketti irrotettu.

HUOMAUTUS: Älä koskaan käytä bensiiniä, ohenteita, alkoholia tai tms. aineita. Muutoin pinta voi halkeilla tai sen värit ja muoto voivat muuttua. Muutoin laitteeseen voi tulla värjäytyksiä, muodon vääristymiä tai halkeamia.

Tuotteen TURVALLISUUDEN ja LUOTETTAVUUDEN takaamiseksi korjaukset, muut huoltotyöt ja säädöt on teetettävä Makitan valtuutetussa huoltopisteessä Makitan varaosia käyttäen.

Varastoiminen

Kun asetat laitteen varastoon, irrota akkupaketti ja aseta laite tasaiselle pinnalle pystyasentoon.

Laitteen rungon puhdistaminen

Pyyhi ajoittain imurin ulkopuoli (imurin runko) saippuavedellä kostutetulla liinalla.

► Kuva34

HEPA-suodattimen puhdistus

▲HUOMIO: Älä käytä imuria ilman suodatinta tai jatka liikaisen tai vaurioituneen suodattimen käyttämistä. Muutoin imuroitu pöly tai hiukkaset voivat päästä ulos imurista ja aiheuttaa hengityselinsairauksia käyttäjälle.

HUOMAUTUS: Varmistaaksesi parhaan mahdollisen imutehon ja puhtaan poistoilman, puhdista suodatin säännöllisesti. Jos imutehoa ei saada tarpeeksi edes puhdistuksen jälkeen, vaihda suodatin uuteen.

HUOMAUTUS: Jotta suodatin ei vaurioituisi, älä käytä puhdistuksessa seuraavia työkaluja tai vastaavia esineitä:

- Ilmasuihku
- Korkeapainepesuri
- Kovista materiaaleista valmistetut työkalut, kuten teräsharja

1. Avaa pölylokeron kansi ja poista suodatinpussi. Vapauta suodattimen koukut ja irrota suodatin laitteen rungosta.

► Kuva35: 1. Salpa

2. Tomuta pöly pois suodattimesta. Suodatin voidaan pestä vedellä. Huuhtelee pöly ja hiukkaset pois suodattimesta 1 tai 2 kuukauden välein. Kuivata sitten suodatin kunnolla varjoisessa ja hyvin ilmastoidussa paikassa epämiellyttävän hajun tai toimintahäiriöiden ehkäisemiseksi.

3. Kun asennat suodattimen paikalleen, aseta salvaton puoli uraan ja paina suodatinta, kunnes koukut kiinnittyvät napsahtaen.

► Kuva36: 1. Ura 2. HEPA-suodatin 3. Salpa

Harjarullan puhdistaminen

1. Irrota ensin alalevy ja sitten harjarulla.

Jos harjarullan harjakset lyhenevät, tilaa uusi harjarulla Makita-huollosta.

Laitteen käyttäminen harjarullalla, jonka harjakset ovat lyhyet, heikentää pölynkeräystehoa.

► Kuva37: 1. Alalevy 2. Harjarulla

2. Irrota säikeet ja hiukset harjarullasta saksia käyttämällä.

Irrota suojuus ja puhdista roskat.

► Kuva38: 1. Suojuus

3. Asenna suojuus, harjarulla ja alalevy paikoilleen käänteisessä järjestyksessä.

► Kuva39

▲HUOMIO: Aseta alalevy takaisin paikalleen niin, että kaksi lukitusvipua napsahtaa paikoilleen. Laitteen käyttäminen ilman alalevyä voi johtaa harjarullan irtoamiseen, mistä voi seurata vamma.

► Kuva40: 1. Alalevy 2. Lukitusvipu

HUOMAUTUS: Kiinnitä harjarulla aina paikalleen. Laitteen käyttäminen ilman harjarullaa heikentää pölynkeräystehoa.

Tukoksen poistaminen

HUOMAUTUS: Älä käytä laitetta, jonka imuilmalinjassa on tukos. Käytön jatkaminen imuilmalinjan tukkeutuneena johtaa pienentyneeseen imutehoon.

1. Irrota ensin alalevy ja sitten harjarulla.
 2. Irrota alumiiniputki laitteesta ja letkusta.
 3. Käännä letkua vastapäivään ja irrota se sitten laitteesta.
 4. Irrota imuletku vetämällä kielekkeestä.
- Kuva41: 1. Alalevy 2. Harjarulla 3. Alumiiniputki 4. Letku 5. Imuletku 6. Kieleke

5. Tarkista imuilman kulkureitti alumiiniputken ja letkun sekä imuletkun sisältä.

Poista roskat niiden sisältä.

6. Kohdista imuletkun kieleke rungon uraan ja liu'uta imuletku sitten paikalleen.

► Kuva42: 1. Kieleke 2. Ura

7. Asenna letku, alumiiniputki, harjarulla ja alalevy paikoilleen.

▲HUOMIO: Kiinnitä letku ja putki tiukasti. Muutoin niistä voi vuotaa pölyä, mikä voi aiheuttaa vammoja.

Pölypussi

Lisävaruste

Pölypussia voidaan käyttää monta kertaa puhdistamalla se välillä.

Pölypussin asentaminen ja irrottaminen

Pölypussi asennetaan ja irrotetaan samalla tavalla kuin suodatinpussi. Katso suodatinpussin asentamista ja irrottamista käsittelevät kohdat.

► Kuva43: 1. Pölypussi 2. Kumikorkki

HUOMAUTUS: Avaa kumikorkki ensin, kun asennat pölypussia. Aseta pölypussi kumikorkki takana.

Pölypussin tyhjentäminen

1. Sulje kumikorkki, jotta pöly ei pääse leviämään.
2. Avaa pussin suu vetämällä kiinnitin los.
3. Tyhjennä pölypussin sisältö napauttaen pussia kevyesti siten, että sen sisäpuolelle kiinnittyneet

hiukkaset poistuvat.

► **Kuva44:** 1. Pölypussi 2. Kumikorkki 3. Suljin

HUOMAUTUS: Tyhjennä pölypussi usein. Pussi repeytyy helposti, jos siinä on liikaa pölyä.

Pölypussin puhdistaminen

Puhdista pölypussi säännöllisesti saippualla ja vedellä. Käännä pölypussi nurinpäin ja poistaa tahmea pöly. Pese kevyesti käsin ja huuhtelee hyvin vedellä. Anna kuivua kokonaan ennen kuin asennat pölynimuriin.

► **Kuva45**

HUOMAUTUS: Märkä pölypussi laskee imurointitehoa ja moottorin käyttöikää.

HUOMAUTUS: Varmista, että pölypussin suu on suljettu kunnolla, kun kiinnität siihen kiinnittintä.

SYKLONILISÄVARUSTE

Lisävaruste

► **Kuva46:** 1. Syklonilisävaruste

Syklonilisävarusteen esittely

Imuriin kytkettävä syklonilisävaruste pienentää suodatinpussiin päätyvän pölyn määrää, mikä auttaa ehkäisemään imutehon heikentymistä. Lisäksi puhdistus on helppoa käytön jälkeen.

▲HUOMIO: Varmista aina ennen mitään työkalulle tehtäviä toimenpiteitä, että se on sammutettu ja akkupaketti on irrotettu. Jos akkupaketti jätetään paikalleen, imuri voi käynnistyä odottamatta, mikä voi johtaa henkilövahinkoon.

▲HUOMIO: Puhdista syklonilisävarusteen verkkosuodatin ja imurin suodatinpussi, jos ne ovat tukkeutuneet. Käytön jatkaminen tukkeutuneena voi johtaa kuumenemiseen ja savuamiseen.

HUOMAUTUS: Kun syklonilisävaruste on kytketty, älä käytä sitä vaakasennossa tai ylöspäin suunnattuna. Se voi aiheuttaa verkkosuodattimen tukkeutumisen.

HUOMAUTUS: Käytä imurissa aina suodatinpussia myös syklonilisävarustetta käytettäessä. Imurin käyttäminen ilman suodatinpussia voi johtaa moottorin toimintahäiriöihin.

HUOMAA: Varmista ennen käyttöä, että syklonilisävaruste, imuri ja suora putki on lukittu oikein.

HUOMAA: Tyhjennä syklonilisävarusteen pölykotelon ja imurin suodatinpussi, kun niihin on kertynyt pölyä. Käytön jatkaminen heikentää imutehoa.

Syklonilisävarusteen asentaminen

1. Kierrä letkun mansettia vastapäivään ja irrota letku, tartuntavarsi ja alumiiniputki laitteesta.

► **Kuva47:** 1. Mansetti 2. Letku 3. Tartuntavarsi 4. Alumiiniputki

2. Käännä syklonilisävarusteen pysäyttimen puoli ylöspäin ja kohdista pysäytin imuaukon uraan. Lukitse pysäytin asettamalla syklonilisävarustetta, kunnes se naksauttaa. Vedä syklonilisävarustetta kevyesti varmistaksesi, että se ei irtoa. Asenna suora putki samalla tavalla kuin syklonilisävaruste.

► **Kuva48:** 1. Syklonilisävarusteen kahva 2. Imuaukko 3. Syklonilisävaruste 4. Syklonilisävarusteen suora putki 5. Pysäytin 6. Lukituspainike

3. Asenna syklonilisävaruste laitteeseen ja kiinnitä se kiertämällä letkun mansettia myötäpäivään.

► **Kuva49**

Pölyn hävittäminen

Kun pölykoteloon on kertynyt pölyä maksimimääräviivaan asti, hävitä pöly seuraavien ohjeiden mukaisesti.

1. Pidä pölykotelosta tiukasti kiinni ja pidä kahta painiketta painettuna samalla, kun irrotat pölykotelon.

► **Kuva50:** 1. Maksimimääräviiva 2. Pölykotelon 3. Painike (kaksi kohtaa) 4. Verkkosuodatin

2. Hävitä pölykotelon sisälle kertynyt pöly ja irrota verkkosuodattimen pintaan kertynyt pöly ja jauhe.

3. Aseta pölykotelon paikalleen niin, että kaksi painiketta lukitsevat sen naksauttaen.

► **Kuva51:** 1. Pölykotelon 2. Painike (kaksi kohtaa)

HUOMAA: Pidä syklonilisävarusteesta kunnolla kiinni, kun asennat pölykotelon.

HUOMAA: Varmista ennen käytön aloittamista uudelleen, että syklonilisävaruste, imuri ja suora putki on lukittu oikein.

HUOMAA: Imurin liiallisen pölymäärän ilmaisin ei syty, kun syklonilisävarusteen pölykotelon täytyy.

HUOMAA: Tarkista seuraavissa tilanteissa, onko imurin suodatinpussin sisälle kertynyt pölyä tai onko ilmatiessä tukos. Poista syyt tarpeen mukaan.

— Jos imuteho ei parane sen jälkeen, kun pöly on poistettu pölykotelosta ja verkkosuodatin on puhdistettu.

— Jos imurin liiallisen pölymäärän ilmaisin sytty uudelleen.

Puhdistus

Kun pölykotelon likaantuu tai verkkosuodatin tukkeutuu, irrota ne ja pese ne vedellä. (Katso irrotusohjeet kohdasta "Pölyn hävittäminen".)

Kuivaa osat huolellisesti ennen niiden paikalleen asentamista ja käyttöä.

► **Kuva52:** 1. Pölykotelon 2. Verkkosuodatin

Kun verkkosuodatin likaantuu merkittävästi, puhdista se seuraavien ohjeiden mukaisesti.

1. Käännä verkkosuodatinta vastapäivään ja irrota se, kun sen salvat ovat avoimessa asennossa.

► **Kuva53:** 1. Verkkosuodatin 2. Salpa

2. Irrota pöly verkkosuodattimesta ja pese sitten suodatin vedellä. Kuivaa se tämän jälkeen huolellisesti.

3. Paina verkkosuodatin kiinni alustaan, kun salvat

ovat vastakkain liitännän kanssa. Käännä verkko-suodatinta myötöpäivään, kunnes salvat lukittuvat naksahaen. Varmista, että verkkosuodatin on tiukasti

paikallaan.

► **Kuva54:** 1. Verkkosuodatin 2. Salpa 3. Liitäntä

VIANMÄÄRITYS

Tarkista kone ensin itse, ennen kuin viet sen korjattavaksi. Jos havaitset ongelman, johon ei löydy ratkaisua ohjeista, älä yritä purkaa konetta. Vie se sen sijaan valtuutettuun Makita-huoltoon. Käytä korjaamiseen aina alkuperäisiä Makita-varaosia.

Oire	Todennäköinen syy	Korjaus
Ei toimintaa	Akkupaketti on asennettu väärin.	Asenna akkupaketti tämän käyttöohjeen ohjeiden mukaan.
	Akkupaketti on tyhjentynyt.	Lataa akkupaketti.
	Kahva on asennettu väärin.	Asenna kahva pitävästi käyttöohjeen ohjeiden mukaan.
Harjarulla ei pyöri	Laite on lukittu pystyasentoon.	Vapauta laite pystyasennosta.
	Harjarullan virheilmaisoin palaa.	Tarkista, onko harjarullan (sen rungon, suojuksen ja liitososan) ympärille jumittunut jotakin.
Heikko imuteho	Liiallisen pölymäärän ilmaisin palaa.	Vaihda suodatinpussi. Jos suodatinpussi ei ole täynnä, avaa suodatinpussi ja ravista sitä tukkeuman avaamiseksi.
	⇒ Jos suodatinpussin vaihto ei ratkaise häiriötä, toimi seuraavasti...	Puhdista tai vaihda HEPA-suodatin. Tarkista, onko letkuun tai putkeen jäänyt kiinni roskia.
	Harjarullaan on jäänyt kiinni roskia, jotka estävät sen pyörimisen.	Tarkista, onko harjarullan (sen rungon, suojuksen tai liitososan) ympärille jumittunut jotakin.
	Harjarulla on asetettu liian korkealle lattiasta.	Laske harjarullaa.
	Harjarullan harjakset ovat lyhentyneet liikaa.	Vaihda harjarulla. Laske harjarullaa.
	Laite on alhaisen tehon toimintatilassa.	Vaihda tehokkaampaan toimintatilaan.
	Harjarullaa ei ole asennettu paikalleen.	Asenna harjarulla paikalleen.
	Putki tai letku on asennettu virheellisesti.	Kiinnitä putki tai letku pitävästi.
	Suuri toimintaääni	Laite on korkean tehon toimintatilassa.
Harjarullaan on jäänyt kiinni roskia.		Tarkista, onko harjarullan (sen rungon, suojuksen ja liitososan) ympärille jumittunut jotakin.
Suodatinpussi on täytynyt pölystä.		Vaihda suodatinpussi.
⇒ Jos suodatinpussin vaihto ei ratkaise häiriötä, toimi seuraavasti...		Puhdista tai vaihda HEPA-suodatin. Tarkista, onko letkuun tai putkeen jäänyt kiinni roskia.
Liiallisen pölymäärän ilmaisin vilkkuu vähäisen käytön jälkeen	Suodatinpussi on taittunut.	Avaa suodatinpussin suuaukkoa ennen sen asettamista paikalleen.
Lamppu ei syty	Lamppu on asetettu pois päältä.	Voit ottaa lampun käyttöön pitämällä akun tarkistus-/lamppupainiketta painettuna käytön aikana.
Rullapyörä liikkuu tahmeasti	Rullapyörään on jäänyt kiinni roskia.	Poista roskat rullapyörästä.

LISÄVARUSTEET

⚠️HUOMIO: Seuraavia lisävarusteita tai laitteita suositellaan käytettäväksi tässä ohjeessa kuvatun Makita-työkalun kanssa. Muiden lisävarusteiden tai laitteiden käyttö voi aiheuttaa henkilövahinkoja. Käytä lisävarusteita ja -laitteita vain niiden käyttötarkoituksen mukaisesti.

Jos tarvitset apua tai yksityiskohtaisempia tietoja seuraavista lisävarusteista, ota yhteys paikalliseen Makitan huoltoon.

- Kulmasuutin
- Pyöreä harja
- Syklonilisävaruste
- HEPA-suodatin
- Suodatinpussi
- Pölypussi
- Aito Makitan akku ja laturi

HUOMAA: Jotkin luettelossa mainitut varusteet voivat sisältyä työkalun toimitukseen vakiovarusteina. Ne voivat vaihdella maittain.



ADVARSEL

- Denne maskine er ikke beregnet til brug af personer, herunder børn, med reducerede fysiske, sensoriske eller mentale færdigheder eller manglende erfaring og viden.
- Børn skal overvåges for at sikre, at de ikke leger med støvsugeren.
- Se kapitlet "SPECIFIKATIONER" for batteriets typereference.
- Se afsnittet "Installation eller fjernelse af akkuen" for at finde ud af, hvordan man fjerner eller installerer batteriet.
- Når du bortskaffer akkuen, skal du afmontere den fra maskinen og bortskaffe den på et sikkert sted. Følg dine lokale regler vedrørende bortskaffelse af batterier.
- Hvis maskinen ikke skal bruges i en længere periode, skal batteriet fjernes fra maskinen.
- Akkuen må ikke kortsluttes.
- Se kapitlet "VEDLIGEHOLDELSE" for at få de relevante oplysninger om forholdsregler under brugervedligeholdelse.

SPECIFIKATIONER

Model:	VC010G
Maksimal luftvolumen ^{*1}	1,8 m ³ /min
Vakuum ^{*1}	15 kPa
Kapacitet	5 L
Dimensioner (L x B x H)	326 mm x 381 mm x 1.146 mm
Nominel spænding	D.C. 36 V - 40 V maks.
Nettovægt	8,0 - 9,2 kg

^{*1} Værdien er målt efter vores originale metode.

- På grund af vores kontinuerlige forsknings- og udviklingsprogrammer kan hosstående specifikationer blive ændret uden varsel.
- Specifikationer kan variere fra land til land.
- Vægten inkluderer tilbehør (rund børste, hjørnemundstykke) samt akku(er). Vægten af den letteste og tungeste kombination af apparat og akku(er) er vist i tabellen.

Anvendelig akku og oplader

Akku	BL4020 / BL4025 / BL4040 / BL4040F / BL4050F / BL4080F
Oplader	DC40RA / DC40RB / DC40RC / DC40WA

- Nogle af de akkuer og opladere, der er angivet ovenfor, er muligvis ikke tilgængelige, afhængigt af hvilket område du bor i.

⚠ ADVARSEL: Brug kun de akkuer og opladere, der er angivet ovenfor. Brug af andre akkuer og opladere kan medføre personskaade og/eller brand.

Symboler

Følgende viser de symboler, der muligvis anvendes til udstyret. Sørg for, at du forstår deres betydning før brugen.



Læs betjeningsvejledningen.



Udvis særlig forsigtighed og opmærksomhed.



Et repræsentativt batteri, der kan anvendes til dette produkt.



Kun for lande inden for EU
På grund af tilstedeværelsen af farlige komponenter i udstyret kan affald af elektrisk og elektronisk udstyr, akkumulatører og batterier have en negativ indvirkning på miljøet og folkesundheden.
Bortskaf ikke elektriske og elektroniske apparater eller batterier sammen med husholdningsaffald!
I overensstemmelse med EF-direktiv om affaldshåndtering af elektrisk og elektronisk udstyr og om akkumulatører og batterier og affaldsakkumulatører og -batterier, og i overensstemmelse med national lovgivning, skal brugt elektrisk udstyr, batterier og akkumulatører opbevares separat og leveres til et separat indsamlingssted for kommunalt affald, der er etableret i henhold til bestemmelserne om miljøbeskyttelse.
Dette er angivet ved symbolet på den krydsede skrældespand, der er placeret på udstyret.

Tilsigtet anvendelse

Apparatet er beregnet til opsugning af tørt støv. Apparatet er egnet til kommerciel brug, for eksempel i hoteller, skoler, hospitaler, fabrikker, butikker, kontorer og udlejningsvirksomheder.

Støj

Det typiske A-vægtede støjniveau bestemt i overensstemmelse med IEC60335-2-69:

Lydtryksniveau (L_{pA}): 70 dB (A) eller derunder
Usikkerhed (K): 2,5 dB (A)

Støjniveauet under arbejdet kan overskride 80 dB (A).

BEMÆRK: De(n) angivne støjemissionsværdi(er) er målt i overensstemmelse med en standardtestmetode og kan anvendes til at sammenligne en maskine med en anden.

BEMÆRK: De(n) angivne støjemissionsværdi(er) kan også anvendes i en præliminær eksponeringsvurdering.

⚠ ADVARSEL: Bær høreværn.

⚠ ADVARSEL: Støjemissionen under den faktiske anvendelse af maskinen kan være forskellig fra de(n) angivne værdi(er), afhængigt af den måde hvorpå maskinen anvendes, især den type arbejdsemne der behandles.

⚠ ADVARSEL: Sørg for at identificere de sikkerhedsforskrifter til beskyttelse af operatøren, som er baseret på en vurdering af eksponering under de faktiske brugsforhold (med hensyntagen til alle dele i brugscyklussen, f.eks. de gange, hvor maskinen er slukket, og når den kører i tomgang i tilgift til afbrydertiden).

Vibration

Vibrationens totalværdi (tre-aksial vektorsum) bestemt i overensstemmelse med IEC60335-2-69:

Vibrationsafgivelse ($a_{h,M2}$): 2,5 m/s² eller mindre
Usikkerhed (K): 1,5 m/s²

BEMÆRK: De(n) angivne totalværdi(er) for vibration er målt i overensstemmelse med en standardtestmetode og kan anvendes til at sammenligne en maskine med en anden.

BEMÆRK: De(n) angivne totalværdi(er) for vibration kan også anvendes i en præliminær eksponeringsvurdering.

⚠ ADVARSEL: Vibrationsemissionen under den faktiske anvendelse af maskinen kan være forskellig fra de(n) angivne værdi(er), afhængigt af den måde hvorpå maskinen anvendes, især den type arbejdsemne der behandles.

⚠ ADVARSEL: Sørg for at identificere de sikkerhedsforskrifter til beskyttelse af operatøren, som er baseret på en vurdering af eksponering under de faktiske brugsforhold (med hensyntagen til alle dele i brugscyklussen, f.eks. de gange, hvor maskinen er slukket, og når den kører i tomgang i tilgift til afbrydertiden).

Overensstemmelseserklæringer

Kun for lande i Europa

Overensstemmelseserklæringerne er inkluderet i Bilag A i denne brugsanvisning.

SIKKERHEDSADVARSLER

Sikkerhedsadvarsler for akku støvsuger

⚠ ADVARSEL: VIGTIGT! LÆS OMHYGGELIGT alle sikkerhedsadvarsler og alle instruktioner FØR BRUGEN. Hvis advarslerne og instruktionerne ikke overholdes, kan det medføre elektrisk stød, brand og/eller alvorlig personskade.

1. Før brugen skal du sørge for, at denne støvsuger anvendes af personer, der er tilstrækkeligt oplært i brugen af støvsugeren.
2. Anvend ikke, uden at filterposen og/eller filterne er sat på plads. Udskift øjeblikkeligt et beskadiget filter.
3. **UNDGÅ, AT MASKINEN STARTER VED ET UHELD.** Sørg for, at der er slukket på kontakten, ved montering af batteri(er).
4. Forsøg ikke at opsuge brændbare materialer, fyrværkeri, tændte cigaretter, varm aske, varme metalspånere, skarpe genstande som f.eks. barberblade, nåle, glasskår eller lignende.
5. **BRUG ALDRIG STØVSUGEREN I NÆRHEDEN AF BENZIN, GAS, MALING, LIM ELLER ANDRE STÆRKT EKSPLOSIONSFARLIGE STOFFER.** Afbryderen udsender gnister, når der tændes eller slukkes. Det samme gør motorkommutatoren under brugen. Det kan medføre farlig eksplosion.

6. Denne støvsuger er ikke velegnet til opsamling af farligt støv.
 7. Støvsug aldrig giftstoffer, kræftfremkaldende stoffer, brændbare stoffer eller andre farlige materialer som f.eks. asbest, arsenik, barium, beryllium, bly, insektmidler eller andre sundhedsskadelige materialer.
 8. Undlad at støvsuge skum som tæpperensningsmiddel osv. Det kan medføre eksplosion eller brand.
 9. Anvend den ikke udendørs eller på våde overflader.
 10. I Finland er det ikke tilladt at benytte maskinen ved lave udendørstemperaturer.
 11. Brug ikke apparatet i nærheden af varmekilder (komfurer og lignende).
 12. Bloker ikke sugeåbningen/udløbet/ventilationsåbningerne til afkøling. Disse ventilationsåbninger muliggør afkøling af motoren. Blokering skal undgås omhyggeligt, da motoren ellers vil brænde sammen på grund af en mangel på ventilation.
 13. Undlad at sammenfolde, rykke i eller træde på slangen.
 14. Stop med det samme støvsugeren, hvis du bliver opmærksom på dårlig ydelse eller noget unormalt under brugen.
 15. **FJERN BATTERIET ELLER BATTERIERNE.** Når maskinen ikke er i brug, før service, og når der skiftes tilbehør.
 16. Rengør og servicer støvsugeren umiddelbart efter hver brug for at holde den i optimal funktionstilstand.
 17. **VEDLIGEHALD STØVSUGEREN OMHYGGELIGT.** Hold støvsugeren ren for at opnå bedre og sikrere ydelse. Følg instruktionerne for udskiftning af tilbehør. Hold håndtagene tørre, rene og fri for olie og fedt.
 18. **KONTROLLER BESKADIGEDE DELE.** Før støvsugeren bruges igen, skal en beskyttelseskærm eller anden del, som er beskadiget, kontrolleres omhyggeligt for at fastslå, om den vil fungere korrekt og udføre sin tilsigtede funktion. Kontroller for justeringen af bevægelige dele, binding af bevægelige dele, brud på dele, montering og alle andre forhold, der kan påvirke funktionaliteten. En beskyttelseskærm eller anden del, der er beskadiget, skal repareres korrekt eller udskiftes af et autoriseret servicecenter, medmindre andet fremgår andetsteds i denne brugsanvisning. Få defekte afbrydere udskiftet hos et autoriseret servicecenter. Brug ikke støvsugeren, hvis afbryderen ikke kan tænde eller slukke for den.
 19. **RESERVEDELE.** Brug kun identiske reservedele i forbindelse med service.
 20. Når støvsugeren ikke er i brug, skal den altid opbevares indendørs.
 21. Behandl din støvsuger godt. Hårdhændet behandling kan medføre, at selv den mest solidt byggede støvsuger går i stykker.
 22. Forsøg ikke at rengøre udvendigt eller indvendigt med benzen, fortynder eller kemiske rengøringsmidler. Dette kan medføre revner og misfarvning.
 23. Brug ikke støvsugeren i et aflukket lokale, hvor der afgives brændbare, eksplosive eller giftige dampe fra oliebaseret maling, malingsfortynder, benzin, visse mølmidler osv., eller på steder med brandfarligt støv.
 24. Anvend ikke denne eller andre maskiner, hvis du er påvirket af narkotika eller alkohol.
 25. Bær passende beskyttelsesudstyr som fx en maske afhængigt af anvendelsesmiljøet.
 26. Denne maskine er ikke beregnet til brug af personer, herunder børn, med reducerede fysiske, sensoriske eller mentale færdigheder eller manglende erfaring og viden.
 27. Børn skal overvåges for at sikre, at de ikke leger med støvsugeren.
 28. Håndter aldrig batteriet eller batterierne og støvsugeren med våde hænder.
 29. Vær ekstremt forsigtig ved rengøring på trapper.
 30. Undlad at bruge støvsugeren på ustabile eller skråtstillede steder for at undgå, at den falder af, hvilket kan medføre personskaade eller beskadigelse.
 31. Bevar til enhver tid fodfæstet og balancen.
 32. Anvend ikke støvsugeren som taburet eller arbejdsbænk. Maskinen kan falde ned og forårsage personskaade.
 33. Hold alle kropsdele og tøj væk fra åbningerne og de bevægende dele som fx den roterende børsterulle. Ellers kan de blive viklet ind i apparatet og forårsage tilskadekomst.
- Brug og vedligeholdelse af batteriet**
1. **Oplad kun med den oplader, som producenten angiver** En oplader, der passer til én type batteri, kan forårsage brand, hvis den anvendes med et andet batteri.
 2. **Brug kun el-værktøjer sammen med de tilhørende batteripakker.** Brug af andre batteripakker kan forårsage personskaade og brand.
 3. **Når batteripakker ikke anvendes, skal de holdes borte fra andre metalgenstande som papirclips, mønter, nøgler, søm, skruer og andre små metalgenstande, der kan skabe forbindelse mellem terminalerne.** Hvis batteriets terminaler kortsluttes, kan det forårsage brand.
 4. **I tilfælde af misbrug kan der sprøjte væske ud fra batteriet. Undgå kontakt. Skyl med vand, hvis De kommer i kontakt med væsken. Søg læge, hvis De får væske i øjet.** Væske, der sprøjter ud fra batteriet, kan medføre irritation eller forbrændinger.
 5. **Undlad at bruge en akku eller maskine, der er beskadiget eller ændret.** Beskadigede eller ændrede batterier kan fungere uforudsigeligt og medføre brand, eksplosion eller risiko for personskaade.
 6. **Undlad at udsætte en akku eller maskine for brand eller høje temperaturer.** Udsættelse for brand eller temperaturer på over 130 °C kan medføre eksplosion.
 7. **Følg alle instruktioner vedrørende opladning, og undlad at oplade akkuen eller maskinen uden for det temperaturinterval, der er angivet**

i instruktionerne. Opladning, der udføres forkert eller ved temperaturer uden for det angivne temperaturinterval, kan beskadige batteriet og medføre øget risiko for brand.

GEM DENNE BRUGSANVISNING.

⚠ ADVARSEL: LAD IKKE bekvemmelighed eller kendskab til produktet (opnået gennem gentagen brug) forhindre, at sikkerhedsforskrifterne for produktet nøje overholdes. MISBRUG eller forsømmelse af at følge de i denne brugsvejledning givne sikkerhedsforskrifter kan føre til, at De kommer alvorligt til skade.

Vigtige sikkerhedsinstruktioner for akkuen

1. Læs alle instruktioner og advarselmærkater på (1) akku-opladeren, (2) akkuen og (3) produktet, som anvender akkuen.
2. Adskil eller ændr ikke akkuen. Det kan muligvis resultere i en brand, overdreven varme eller eksplosion.
3. Hold straks op med anvendelsen, hvis brugstiden er blevet stærkt afkortet. Fortsat anvendelse kan resultere i risiko for overophedning, forbrændinger og endog eksplosion.
4. Hvis De har fået elektrolytvæske i øjnene, skal De straks skylle den ud med rent vand og derefter øjeblikkeligt søge lægehjælp. I modsat fald kan De miste synet.
5. Vær påpasselig med ikke at komme til at kortslutte akkuen:
 - (1) Rør ikke ved terminalerne med noget ledende materiale.
 - (2) Undgå at opbevare akkuen i en beholder sammen med andre genstande af metal, for eksempel søm, mønter og lignende.
 - (3) Udsæt ikke akkuen for vand eller regn. Kortslutning af akkuen kan forårsage en kraftig øgning af strømmen, overophedning, mulige forbrændinger og endog værktøjstop.
6. Opbevar og brug ikke maskinen og akkuen på steder, hvor temperaturen muligvis kan nå eller overstige 50 °C.
7. Lad være med at brænde akkuen, selv ikke i tilfælde, hvor den har lidt alvorlig skade eller er fuldstændig udtjent. Akkuen kan eksplodere, hvis man forsøger at brænde den.
8. Slå ikke søm i, skær ikke i, knus, kast, tab ikke akkuen og stød ikke akkuen mod en hård genstand. Sådan adfærd kan muligvis resultere i en brand, overdreven varme eller eksplosion.
9. Anvend ikke en beskadiget akku.
10. De indbyggede litium-ion-batterier er underlagt lovkrav vedrørende farligt gods. Ved kommerciel transport, f.eks. af tredjeparts transportselskaber, skal særlige krav til forpakning og mærkning overholdes. Ved forberedelse af udstyret til forsendelse skal du kontakte en ekspert i farligt gods. Overhold også eventuel mere detaljeret national lovgivning. Tape eller tildæk åbne kontakter, og pak batteriet på en måde, så det ikke kan flytte sig rundt i

pakningen.

11. Når akkuen bortscaffes, skal du fjerne den fra maskinen og bortscaffe den på et sikkert sted. Følg de lokale love vedrørende bortscaffelsen af batterier.
12. Brug kun batterierne med de produkter, som Makita specificerer. Hvis batterierne installeres i ikke-kompatible produkter, kan det medføre brand, kraftig varme, eksplosion eller udsivning af elektrolyt.
13. Hvis maskinen ikke skal bruges i længere tid ad gangen, skal du fjerne batteriet fra maskinen.
14. Akkuen kan muligvis under og efter brug være varm, hvilket kan forårsage forbrændinger eller lavtemperaturforbrændinger. Vær påpasselig med håndtering af varme akkuer.
15. Rør ikke terminalen på maskinen straks efter brug, da den bliver varm nok til at forårsage forbrændinger.
16. Sørg for, at spåner, støv eller jord ikke sætter sig fast i akkuens terminaler, huller og riller. Det kan forårsage opvarmning, antændelse, sprængning og funktionsfejl i maskinen eller akkuen, hvilket kan medføre forbrændinger eller personskade.
17. Medmindre maskinen understøtter brugen i nærheden af elektriske højspændingsledninger, skal du ikke anvende akkuen i nærheden af elektriske højspændingsledninger. Det kan muligvis medføre funktionsfejl på eller nedbrud af maskinen eller akkuen.
18. Opbevar batteriet utilgængeligt for børn.

GEM DENNE BRUGSANVISNING.

⚠ FORSIGTIG: Brug kun originale batterier fra Makita. Brug af uoriginale Makita-batterier, eller batterier som er blevet ændret, kan muligvis medføre brud på batteriet, hvilket kan forårsage brand, personskade eller beskadigelse. Det ugyldiggør også Makita-garantien for Makita-maskinen og opladeren.

Tips til opnåelse af maksimal akku-levetid

1. Oplad akkuen, inden den er helt afladet. Stop altid værktøjet, og oplad akkuen, hvis De bemærker, at værktøjeffekten er aftagende.
2. Genoplad aldrig en fuldt opladet akku. Overopladning vil afkorte akkuens levetid.
3. Oplad akkuen ved stuetemperatur ved 10 °C - 40 °C. Lad altid en varm akku få tid til at køle af, inden den oplades.
4. Når du ikke anvender akkuen, skal du fjerne den fra maskinen eller opladeren.
5. Oplad akkuen, hvis De ikke skal bruge den i længere tid (mere end seks måneder).

BESKRIVELSE AF DELENE

► Fig.1

1	Håndtag	2	Kontaktplade	3	Rørgreb	4	Slange
5	Indikationspanel	6	Håndtag (til støvkassedækslet)	7	Støvkassedæksel	8	Bærehåndtag
9	Akku	10	Justeringsarm	11	Hjørnemundstykke	12	Rund børste
13	Fodpedal	14	Rullehjul	15	Sidebørste	16	Sugeslange
17	Samling	18	Aluminiumsrør	19	Rørholder	20	Lampe
21	Børsterulle	22	Bundplade	23	Tilstandskift-knap	24	TÆND/SLUK-knap
25	Indikator for driftstilstand	26	Indikator for højt støvniveau	27	Indikator for børsterullefejl	28	Indikator for resterende batteriladning
29	Knap for batterikontrol/ lampe	-	-	-	-	-	-

SAMLING

⚠FORSIGTIG: Sørg altid for at maskinen er slukket, og at akkuen er taget ud, før der udføres noget arbejde på maskinen.

⚠FORSIGTIG: Bær altid støvmaske under samling eller vedligeholdelse.

Håndtagstilslutning

1. Sæt håndtagsstangen helt ind i støvsugerkabinetet som vist på figuren.
 2. Luk låsemekanismen.
- Fig.2: 1. Håndtagsstang 2. Rød mærkning 3. Låsemekanisme

BEMÆRKNING: Sæt håndtaget helt ind, indtil den røde mærkning ikke længere kan ses.

Slangetilslutning

Sæt slangen ind i monteringsporten på apparatet, og drej slangen indtil den låses fast.

► Fig.3: 1. Monteringsport

Rørtilslutning

Sæt spidsen af aluminiumsrøret ind i samlingen og fastgør derefter aluminiumsrøret til rørholderen.

► Fig.4: 1. Samling 2. Rørholder

BEMÆRKNING: Sæt aluminiumsrøret ind i den korrekte retning som vist på figuren. Ellers vil rørholderen ikke blive låst, og aluminiumsrøret kan falde af.

► Fig.5

Isætning eller fjernelse af akkuen

⚠FORSIGTIG: Sluk altid for apparatet, før du monterer eller afmonterer akkuen.

⚠FORSIGTIG: Hold godt fast i støvsugeren og akkuen, når du monterer eller afmonterer akkuen. Hvis du ikke holder godt fast i støvsugeren og akkuen, kan det medføre, at de glider ud af hænderne på dig, hvilket kan medføre beskadigelse af støvsugeren og akkuen og personskaade.

⚠FORSIGTIG: Pas på ikke at få fingrene i klemme, når du monterer akkuen. Hvis du ikke gør det, kan det medføre personskaade.

⚠FORSIGTIG: Undlad at montere/afmontere akkuen med våde hænder. Der er risiko for elektrisk stød.

Justér tungen på akkuen med rillen i huset, og skub den på plads. Sæt den hele vejen ind, indtil den låses på plads med et lille klik.

► Fig.6: 1. Akku 2. Knap

For at afmontere akkuen skal du tage den ud af apparatet, mens du skubber knappen op foran akkuen.

⚠FORSIGTIG: Sæt altid akkuen helt ind. Hvis dette ikke gøres, kan den falde ud af apparatet ved et uheld og forårsage skade på dig selv eller andre omkring dig.

⚠FORSIGTIG: Brug ikke magt ved montering af akkuen. Hvis akkuen ikke glider på plads uden problemer, betyder det, at den ikke sættes i på korrekt vis.

Montering af filterposen

⚠FORSIGTIG: Anvend ikke en beskadiget filterpose. Anvend altid støvsugeren med filterposen monteret korrekt. Ellers kan opsuget støv eller partikler blive blæst ud af støvsugeren, hvilket kan medføre åndedrætslidelser hos operatøren.

Monter filterposen, før støvsugeren anvendes. Filterposen er en type til bortskaffelse. Smid hele

filterposen ud uden at tømme den, når den er fuld.

BEMÆRKNING: Erstat filterposen med en ny, når den er fuld eller tilstoppet. Forsat brug med fuld eller tilstoppet filterpose medfører reduceret sugestykke.

BEMÆRKNING: Sådan forhindres det, at der kommer støv ind i motoren:

- Sørg for, at filterposen er monteret før brugen.
- Anvend ikke en beskadiget eller flået pose.

Ellers kan motoren gå i stykker.

BEMÆRKNING: Fold ikke pappet ved åbningen, når filterposen monteres.

BEMÆRKNING: Filterposen til støvsugeren er en vigtig komponent for at opretholde apparatets ydelse. Brug af uoriginal filterpose kan muligvis medføre røgdviking eller antændelse.

BEMÆRK: Når filterposen ikke er monteret i apparatet, kan støvkassedækslet ikke lukkes helt.

BEMÆRK: En genanvendelig støvpose er forudmonteret i nogle lande og regioner. Du kan følge de samme trin for montering/afmontering som for filterposen.

1. Lås håndtaget op og åbn støvkassedækslet.

► Fig.7: 1. Håndtag 2. Støvkassedæksel

2. Fold filterposen helt ud.

► Fig.8

3. Åbn klinken, og sæt filterposen ind i åbningen på holderen, så siden med mærket \triangle kommer først ind.

► Fig.9: 1. Klinke 2. Åbning 3. Filterpose 4. Holder

► Fig.10: 1. Mærkning 2. Rille

BEMÆRK: Sørg for, at det kun er mærkningen på pappet, der kan ses gennem rillen i holderen.

4. Hægt klinken på holderen.

► Fig.11: 1. Klinken

5. Fold filterposen ud, hvis den er foldet.

► Fig.12

6. Lås støvkassedækslet forsvarligt.

⚠FORSIGTIG: Pas på ikke at få fingrene i klemme, når du hæfter klinken på, og når du lukker støvkassedækslet.

Afmontering af filterposen

⚠FORSIGTIG: Håndter filterposen forsigtigt. Ellers kan der blæses fremmedlegemer ind i øjnene, hvilket kan det medføre personskade.

Udskift filterposen, når den bliver fuld eller tilstoppet. Åbn støvkassedækslet og åbn klinken, og tag derefter filterposen ud.

► Fig.13: 1. Klinken

Træk i snoren på siden af åbningen for at lukke filterposen, og kassér hele filterposen.

► Fig.14: 1. Snor

BEMÆRKNING: Undlad at genbruge en filterpose. Filterposen er designet til engangsbrug. Hvis du bruger en filterpose gentagne gange, kan det medføre tilstopning af filteret og beskadige apparatet.

FUNKTIONSBESKRIVELSE

⚠FORSIGTIG: Sørg altid for, at apparatet er slukket, og at akkuen fjernes, før der udføres justering eller kontrol af funktioner på apparatet.

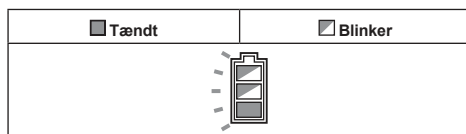
Apparat-/batteribeskyttelsessystem

Apparatet er udstyret med et apparat-/batteribeskyttelsessystem. Dette system afbryder automatisk strømmen til motoren for at forlænge apparatets og batteriets levetid. Apparatet stopper automatisk under anvendelse, hvis apparatet eller batteriet udsættes for et af de følgende forhold:

Overbelastningsbeskyttelse

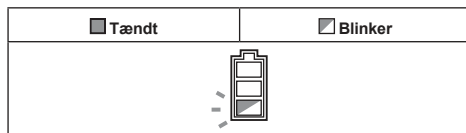
Når apparatet betjenes på en måde, der får det til at bruge unormalt meget strøm, stopper apparatet automatisk. I denne situation skal du slukke for apparatet og stoppe den anvendelse, der forårsagede, at apparatet blev overbelastet. Tænd derefter for apparatet for at genstarte det.

Beskyttelse mod overophedning



Når apparatet er overophedet, stopper apparatet automatisk, og batteriindikatoren blinker i ca. 60 sekunder. I denne situation skal du lade apparatet køle af, før du tænder for apparatet igen.

Beskyttelse mod afladning



Når batteriladningen bliver lav, stopper apparatet automatisk, og batteriindikatoren blinker i ca. 60 sekunder. Hvis produktet ikke fungerer, selv når kontakterne betjenes, skal du tage batteriet ud af apparatet og oplade batteriet.

Indikation af den resterende batteriladning

Tryk på kontrolknappen på akkuen for at få vist den resterende batteriladning. Indikatorlampen lyser i nogle

sekunder.

► **Fig.15:** 1. Indikatorlamper 2. Kontrolknap

Indikatorlamper			Resterende ladning
Tændt	Slukket	Blinker	
			75% til 100%
			50% til 75%
			25% til 50%
			0% til 25%
			Genoplad batteriet.
			Der er muligvis fejl i batteriet.

BEMÆRK: Afhængigt af brugsforholdene og den omgivende temperatur kan indikationen afvige en smule fra den faktiske ladning.

BEMÆRK: Den første indikatorlampe (længst mod venstre) vil blinke, når batteribeskyttelsessystemet aktiveres.

Indikationspanel

► **Fig.16:** 1. Driftstilstand 2. Højt støvniveau 3. Børsterullefejl 4. Resterende batteriladning 5. Knap for batterikontrol/lampe

Driftstilstand

For at ændre driftstilstanden skal du se afsnittet om afbryderbetjening.

Højt støvniveau

Hvis denne indikator lyser, skal du udskifte filterposen. (Se afsnittet om afmontering af filterposen.)

BEMÆRK: Denne indikator fungerer ikke afhængigt af anvendelsesmiljøet.

BEMÆRK: Indikatoren slukker automatisk ca. et minut efter, at apparatet er slukket. Hvis du fjerner tilstopningen af filterposen og genstarter apparatet, går indikatoren ud inden for et minut.

Børsterullefejl

Blinker	Børsterullen er under høj belastning af en eller anden grund.
Tændt	Børsterullen er stoppet pga. en unormal årsag.

ADVARSEL: Sluk straks for apparatet, når denne lampe lyser under anvendelse. Ellers kan der opstå motorfunktionsfejl, og der kan opstå brand.

BEMÆRK: Lampen kan blinke, hvis børsterullens højde er for lav mod tæppets overflade. I så fald skal du justere højden på børsterullen.

Resterende batteriladning

Under anvendelse skal du trykke på knappen for batterikontrol/lampe for at få vist den resterende batteriladning.

► **Fig.17**

Status på batteriindikator			Resterende batteriladning
Tændt	Slukket	Blinker	
			50% til 100%
			20% til 50%
			0% til 20%
			Genoplad batteriet

Knap for batterikontrol/lampe

Følgende anvendelser kan udføres.

- Tryk blot på knappen for at kontrollere den resterende batteriladning.
- Under anvendelsen skal du trykke på knappen og holde den nede for at tænde/slukke lamperne.

Afbryderbetjening

► **Fig.18:** 1. Tilstandsskift-knap 2. TÆND/SLUK-knap

Tænding/slukning af apparatet

Tryk på TÆND/SLUK-knappen for at tænde og slukke for apparatet.

FORSIGTIG: Placer altid apparatets hoved på gulvet, når apparatet tændes. Ellers kan der muligvis opstå en ulykke pga. indvikling, og det kan forårsage en personskaade.

Ændring af driftstilstand

Der er følgende tre driftstilstande:

1. Lavt støjniveau
2. Normal
3. Høj

For at ændre driftstilstanden skal du trykke på tilstandsskift-knappen. Driftstilstanden kan ændres, selv når

apparatet er slukket. Apparatet starter i den tilstand, du har indstillet.

BEMÆRK: Støvsugerens starter i samme tilstand som den sidste anvendelse. Hvis du afmonterer batteriet, mens motoren kører efter nedlukningen, starter støvsugerens muligvis ikke i samme tilstand som den seneste anvendelse.

Tænding/slukning af lampe

⚠FORSIGTIG: Kig aldrig direkte på lyskilden. Lad ikke lyset falde i Deres øjne.

Apparatet er udstyret med lamperne. Se afsnittet om knappen for batterikontrol/lampe for anvendelse.

► Fig.19: 1. Lampe

Fodpedal

⚠FORSIGTIG: Lås altid apparatet i oprejst position, når du slipper håndtaget. Ellers kan apparatet muligvis vælte og forårsage personskade.

⚠FORSIGTIG: Pas på ikke at få fingrene i klemme mellem apparatets kabinet og hovedet på apparatet.

For at oplåse apparatets oprejste position skal du træde på fodpedalen og trække håndtaget tilbage. Bevægelsesområdet er 90 grader fra den oprejste position.

► Fig.20: 1. Fodpedal

For at låse apparatet i oprejst position skal du løfte håndtaget op og frem, indtil fodpedalen låser positionen med et klik.

► Fig.21

⚠FORSIGTIG: Sørg for at låse fodpedalen op før anvendelse. Hårdhændet behandling kan medføre, at delene går i stykker.

► Fig.22

BEMÆRK: Mens apparatet er i den oprejste position, stopper børsterullen med at rotere.

Justering af højden på børsterullen

⚠FORSIGTIG: Sørg altid for, at justeringsarmen kommer ordentligt ind i positionen inden brugen.

Højden på børsterullen kan justeres i 5 trin. Drej justeringsarmen til den ønskede position ved at se på følgende tabel.

Justeringsarmens position	Børsterullens højde
A (☐)	Børsterullen forbliver placeret øverst på gulvet, hvilket er velegnet til rengøring af langhårede tæpper.
B (☐)	Børsterullen er placeret nederst på gulvet, hvilket er velegnet til rengøring af hårde gulve og korthårede tæpper.

Justeringsarmens position	Børsterullens højde
C (☐)	Børsterullen kan køres helt ned til gulvet, hvilket er effektivt til dybderensning af tæpper og fjernelse af snavs, støv og partikler, der er indlejret dybt i fibre.

► Fig.23: 1. Justeringsarm

BEMÆRK: Børsterullen roterer muligvis ikke, hvis børsterullens højde er for lav mod tæppets overflade.

Bærehåndtag

Når apparatet bæres, skal du skubbe apparatet vha. rullehjulene alene eller bære det ved at holde i bærehåndtaget/bærehåndtagene.

► Fig.24

⚠FORSIGTIG: Når du bærer apparatet, skal du låse apparatet i oprejst position. Ellers kan der ske en faldulykke.

⚠FORSIGTIG: Bær ikke apparatet med noget andet end bærehåndtaget. Ellers kan der opstå en faldulykke eller utilsigtet start kan muligvis forårsage en personskade.

► Fig.25

ANVENDELSE

⚠FORSIGTIG: Træk ikke håndtagsstangen ud fra apparatet under anvendelse. Gør du det, kan du miste kontrol over apparatet og muligvis resultere i alvorlig personskade.

⚠FORSIGTIG: Placer ikke din hånd eller dit ben under apparatet under anvendelse. Ellers kan der muligvis ske en klemmeulykke.

⚠FORSIGTIG: Undlad at bruge apparatet i utilstrækkelig belysning. At arbejde i dårligt lys kan bidrage til en uforudset ulykke.

Normal rengøringsbetjening

1. Hold i håndtaget og oplås derefter den oprejste position.
2. Tænd for apparatet. Rengør et gulv.

► Fig.26

Brug af sidebørsten

Sidebørsten er praktisk til rengøring af hjørnet på en væg.

Hvis sidebørsten bliver kort, skal du tage apparatet med til Makita-servicecenteret for at få den udskiftet.

► Fig.27: 1. Sidebørste

Betjening med tilbehør

⚠FORSIGTIG: Bliv ved med at holde fast i håndtaget ved brug af tilbehør. Ellers kan apparatet muligvis vælte og forårsage personskade.

BEMÆRKNING: Når du anvender tilbehør, skal du låse apparatet i oprejst position. Ellers kan rotationen af børsterullen muligvis beskadige gulvet.

Brug af aluminiumsrøret

Aluminiumsrøret er egnet til rengøring på trange steder eller høje steder.

► Fig.28: 1. Aluminiumsrør

Brug af slangen

Slangen er egnet til rengøring i nærheden af dine hænder.

► Fig.29: 1. Slange

Hvis du vil bruge slangen, skal du trække slangen ud af aluminiumsrøret, mens du trykker på håndtaget.

► Fig.30: 1. Håndtag

For at montere slangen skal du sætte slangen ind i aluminiumsrøret, indtil det klikker på plads.

► Fig.31

Brug af tilbehør

► Fig.32

For at montere tilbehøret skal du dreje og sætte det ordentligt ind i aluminiumsrøret eller slangen. For at frigøre det skal man dreje og fjerne det.

VEDLIGEHOLDELSE

⚠FORSIGTIG: Sørg altid for, at apparatet er slukket, og at akkuen er fjernet, før du forsøger at udføre eftersyn eller vedligeholdelse.

BEMÆRKNING: Anvend aldrig benzin, rensebenzin, fortynder, alkohol og lignende. Det kan medføre misfarvning, deformation eller revner.

For at opretholde produktets SIKKERHED og PALIDELIGHED må reparation, vedligeholdelse eller justering kun udføres af et autoriseret Makita servicecenter eller fabrikksservicecenter med anvendelse af Makita reservedele.

Opbevaring

Ved opbevaring skal du afmontere akkuen og opbevare apparatet på et jævnt sted i oprejst position.

► Fig.33

Rengøring af apparatets kabinet

Aftør fra tid til anden ydersiden af støvsugeren (støvsuger-kabinet) med en klud, der er fugtet i sæbevand.

► Fig.34

Rengøring af HEPA-filretet

⚠FORSIGTIG: Undlad at bruge støvsugeren uden et filter eller at fortsætte med at bruge et snavset eller beskadiget filter. Opsugt støv eller partikler kan blive blæst ud af støvsugeren, hvilket kan medføre åndedrætslidelser hos operatøren.

BEMÆRKNING: Rengør filteret regelmæssigt for at opretholde optimal sugestyrke og ren udblæsning. Udskift filteret med et nyt, hvis der ikke kan opnås tilstrækkelig sugestyrke selv efter rengøring.

BEMÆRKNING: Undlad at bruge følgende værktøjer og lignende genstande til rengøring for at undgå beskadigelse af filteret:

- Støvblæser
- Højtryksrenser
- Værktøj fremstillet af hårde materialer såsom en trådbørste

1. Åbn støvkassetækslet, og tag filterposen ud. Frigrø krogene på filteret, og tag filteret ud af apparatets kabinet.

► Fig.35: 1. Krog

2. Bank støvet af filteret. Filteret kan vaskes med vand. Skyl støv og partikler på filteret væk hver eller hver 2. måned. Derefter skal du tørre filteret helt på et skyggefuld og godt ventileret sted for at forhindre ubehagelig lugt eller funktionsfejl.

3. Hvis du vil montere filteret, skal du indsætte siden uden krogene i rillen og derefter skubbe filteret ind, indtil krogene er fastgjort med et klik.

► Fig.36: 1. Rille 2. HEPA-filter 3. Krog

Rengøring af børsterullen

1. Fjern bundpladen, og fjern derefter børsterullen. Hvis håret på børsterullen bliver kort, skal du anmode Makita-servicecenteret om et nyt.

Anvendelse af apparatet med den korthårede børsterulle medfører dårlig støvopsamling.

► Fig.37: 1. Bundplade 2. Børsterulle

2. Fjern tråde og hår fra børsterullen vha. en saks. Fjern dækslet og fjern snavs.

► Fig.38: 1. Dæksel

3. Monter dækslet, børsterullen og bundpladen i omvendt rækkefølge.

► Fig.39

⚠FORSIGTIG: Sæt bundpladen sikkert tilbage i positionen, indtil de to låsehåndtag klikker på plads. Hvis apparatet anvendes uden bundpladen, kan børsterullen falde af, hvilket kan medføre personskaade.

► Fig.40: 1. Bundplade 2. Låsehåndtag

BEMÆRKNING: Monter altid børsterullen. Anvendelse af apparatet uden børsterullen medfører dårlig støvopsamling.

Sådan fjernes tilstopningen

BEMÆRKNING: Undlad at betjene apparatet med tilstoppet indsugningsstrømssti. Fortsat brug med indsugningsstrømsstien tilstoppet medfører reduceret sugestykke.

1. Fjern bundpladen, og fjern derefter børsterullen.
2. Fjern aluminiumsrøret fra apparatet og fra slangen.
3. Drej slangen mod uret og fjern derefter slangen fra apparatet.
4. Fjern sugeslangen ved at trække i tappen.
► **Fig.41:** 1. Bundplade 2. Børsterulle
3. Aluminiumsrør 4. Slange 5. Sugelangse
6. Tap

5. Efterse indsugningsstrømsstien for luft inde i aluminiumsrøret, slangen og sugeslangen.

Fjern snavset fra indersiden af dem.

6. Juster tungen på sugeslangen med rillen i huset, og skub den på plads.

► **Fig.42:** 1. Tunge 2. Rille

7. Monter slange, aluminiumsrør, børsterulle og bundplade.

⚠FORSIGTIG: Monter slangen, røret ordentligt. Ellers kan der muligvis opstå støvlækage og forårsage personskade.

Støvpose

Ekstraudstyr

Støvposen kan bruges gentagne gange ved at tømme den.

Montering og afmontering af støvpose

Proceduren for montering og afmontering af støvposen er den samme som for filterposen. Se afsnittet om montering af filterposen og afmontering af filterposen.

► **Fig.43:** 1. Støvpose 2. Gummihætte

BEMÆRKNING: Når du monterer støvposen, skal du først åbne gummihætten. Indsæt støvposen med gummihætten bagved.

Tømning af støvpose

1. Luk gummihætten for at forhindre støv i at flyde ud.
2. Åbn posens åbning ved at trække lukkeskinnen ud.
3. Tøm støvposen for dens indhold, og bank let på den for at fjerne partikler, der sidder fast på indersiden.
► **Fig.44:** 1. Støvpose 2. Gummihætte 3. Lukkeskinne

BEMÆRKNING: Tømning af støvposen ofte. For meget støv vil nemt rive posen i stykker.

Rengøring af støvposen

Rengør regelmæssigt støvposen med sæbe og vand. Vend indersiden ud på støvposen, og fjern klæbrigt støv. Vask den let i hånden, og rens grundigt med vand. Tør den helt, før den sættes i støvsugeren.

► **Fig.45**

BEMÆRKNING: En våd støvpose forringer støvsugerens ydeevne og motorens levetid.

BEMÆRKNING: Når du monterer lukkeskinnen på støvposen, skal du sørge for, at posens åbning er forsvarligt lukket.

HVIRVELTILBEHØR

Ekstraudstyr

► **Fig.46:** 1. Hvirveltilbehør

Om hvirveltilbehøret

Brug af støvsugeren med hvirveltilbehøret monteret reducerer mængden af støv, der kommer ind i filterposen, hvilket er med til at forhindre, at sugekraften svækkes. Derudover er rengøring efter brug også enkel.

⚠FORSIGTIG: Sørg altid for at maskinen er slukket, og at akkuen er taget ud, før der udføres noget arbejde på maskinen. Hvis akkuen forbliver isat, kan støvsugeren muligvis starte uventet og medføre tilskadekomst.

⚠FORSIGTIG: Rengør hvirveltilbehørets trådsi og filterposen på støvsugerenheden, når de bliver tilstoppede. Fortsat brug i den tilstoppede tilstand kan resultere i ophedning eller røg.

BEMÆRKNING: Når hvirveltilbehøret er monteret, må du ikke bruge hvirveltilbehøret i den vandrette eller opadvendte tilstand. Dette kan medføre, at nefilteret bliver tilstoppet.

BEMÆRKNING: Brug altid støvsugeren med filterposen monteret, selv når du bruger hvirveltilbehøret. Brug af støvsugeren uden filterposen monteret kan resultere i en motorfunktionsfejl.

BEMÆRK: Kontroller, at hvirveltilbehøret, støvsugerens og det lige rør er ordentligt låst inden brug.

BEMÆRK: Tøm støvbakken på hvirveltilbehøret og filterposen på støvsugeren, når der er ophobet støv. Fortsat brug vil resultere i svækket sugekraft.

Montering af hvirveltilbehør

1. Drej manchetten på slangen mod uret, og afmonter slangen, rørgrebet og aluminiumsrøret fra apparatet.
► **Fig.47:** 1. Manchet 2. Slange 3. Rørgreb
4. Aluminiumsrør
2. Drej siden af stopperen på hvirveltilbehøret opad,

så stopperen flugter med rillen på sugeåbningen. Lås stopperen ved at indsætte hvirveltilbehøret, indtil det klikker på plads. Træk let i hvirveltilbehøret for at sikre, at det ikke bliver afmonteret. Montér det lige rør med samme procedure som hvirveltilbehøret.

► **Fig.48:** 1. Greb til hvirveltilbehør 2. Sugeåbning 3. Hvirveltilbehør 4. Lige rør til hvirveltilbehør 5. Stopper 6. Låseknop

3. Montér hvirveltilbehøret på apparatet, og drej derefter manchetten på slangen med uret for at fastgøre den.

► **Fig.49**

Bortskaffelse af støv

Når der er ophobet støv op til fuld-linjen i støvbakken, skal du følge proceduren nedenfor og bortskaffe støvet.

1. Hold godt fast i støvbakken, tryk og hold på de to knapper og fjern støvbakken.

► **Fig.50:** 1. Fuld-linje 2. Støvbakke 3. Knap (to steder) 4. Trådsien

2. Bortskaf støvet inde i støvbakken og fjern alt støv og pulver, som sidder fast på overfladen af trådsien.

3. Sæt støvbakken helt ind indtil de to knapper låses med et klik.

► **Fig.51:** 1. Støvbakke 2. Knap (to steder)

BEMÆRK: Hold godt fast i hvirveltilbehøret, når støvbakken monteres.

BEMÆRK: Kontroller, at hvirveltilbehøret, støvsugerens og det lige rør er ordentligt låst inden genstart af betjening.

BEMÆRK: Indikatoren for højt støvniveau på støvsugerens lyser ikke, når hvirveltilbehørets støvbakke bliver fuld.

BEMÆRK: Under følgende forhold skal du kontrollere, om der har samlet sig støv inde i støvsugerens filterpose, eller om der er opstået tilstopning i luftvejen. Fjern årsagerne, hvor det er nødvendigt.

- Hvis sugeevnen ikke forbedres, efter at du har fjernet støv fra støvbakken og rensset trådsien.
- Hvis indikatoren for højt støvniveau på støvsugerens fortsætter med at lyse.

Rengøring

Når støvbakken bliver beskidt, eller trådsien er tilstoppet, skal du fjerne og vaske dem med vand. (Se "Bortskaffelse af støv" angående fjernelsesproceduren.)

Tør delene grundigt inden genmontering og ibrugtagning.

► **Fig.52:** 1. Støvbakke 2. Trådsien

Når trådsien bliver meget beskidt, skal du rengøre den vha. de følgende procedurer.

1. Drej trådsien mod uret og fjern den, mens krogene ikke er låst.

► **Fig.53:** 1. Trådsien 2. Krog

2. Fjern støvet på trådsien og vask den derefter med vand. Tør den omhyggeligt efter dette.

3. Sæt trådsien ind i basen mens krogene er rettet ind med åbningen. Drej trådsien med uret indtil krogene låses med et klik. Sørg for, at trådsien er monteret forsvarligt.

► **Fig.54:** 1. Trådsien 2. Krog 3. Åbning

FEJLFINDING

Udfør selv en inspektion, inden De anmoder om reparation. Hvis du opdager et problem, som ikke er forklaret i brugsanvisningen, må du ikke forsøge at skille maskinen ad. Rådfør Dem i stedet med et autoriseret Makita Servicecenter, og brug altid originale Makita udskiftingsdele til reparationer.

Symptom	Sandsynlig årsag	Afhjælpning
Fungerer ikke	Akkuen er monteret forkert.	Montér akkuen som beskrevet i denne brugsanvisning.
	Akkuen er afladet.	Oplad akkuen.
	Håndtaget er ikke monteret korrekt.	Monter håndtaget ordentligt som beskrevet i denne brugsanvisning.
Børsterullen roterer ikke	Apparatet er låst i oprejst position.	Oplås apparatets oprejste position.
	Indikatoren for børsterullefejl lyser.	Efterse, at der ikke sidder noget fast omkring børsterullen (kabinet, dæksel og samling).

Symptom	Sandsynlig årsag	Afhjælpning
Svag sugekraft	Indikatoren for højt støvniveau lyser.	Udskift filterposen. Hvis filterposen ikke er fuld, skal du folde filterposen ud og ryste den for at fjerne tilstopningen.
	⇒ Hvis udskiftning af filterposen ikke afhjælper problemet...	Rengør eller udskift HEPA-filteret. Efterse, at der ikke sidder snavs fast i slangen og røret.
	Der sidder støv fast i børsterullen, og rotationshastigheden er reduceret.	Efterse, at der ikke sidder noget fast omkring børsterullen (kabinet, dæksel, samling).
	Højden på børsterullen er for høj fra gulvet.	Sænk højden på børsterullen.
	Børsterullens hår er blevet kort.	Udskift børsterullen. Sænk højden på børsterullen.
	Apparatet fungerer i lav tilstand.	Skift til den højere driftstilstand.
	Børsterullen er ikke monteret.	Monter børsterullen.
	Røret eller slangen er ikke monteret korrekt.	Monter røret eller slangen ordentligt.
Høj funktionsstøj	Apparatet fungerer i høj tilstand.	Skift til den lavere driftstilstand.
	Det sidder snavs fast i børsterullen.	Efterse, at der ikke sidder noget fast omkring børsterullen (kabinet, dæksel og samling).
	Filterposen er fyldt med støv.	Udskift filterposen.
	⇒ Hvis udskiftning af filterposen ikke afhjælper problemet...	Rengør eller udskift HEPA-filteret. Efterse, at der ikke sidder snavs fast i slangen og røret.
Indikatoren for højt støvniveau blinker efter en lille smule brug	Filterposen er foldet.	Fold indgangen på filterposen ud, før den sættes i.
Lampen lyser ikke	Lampeindstillingen er slukket.	Under anvendelse skal du trykke på knappen for batterikontrol/lampe og holde den nede for at tænde lampen.
Rullehjulet er svært at bevæge	Det sidder snavs fast i rullehjulet.	Fjern snavset på rullehjulet.

EKSTRAUDSTYR

⚠ FORSIGTIG: Det følgende tilbehør og ekstraudstyr er anbefalet til brug med Deres Makita maskine, der er beskrevet i denne brugsanvisning. Anvendelse af andet tilbehør eller ekstraudstyr kan udgøre en risiko for personskade. Anvend kun tilbehør og ekstraudstyr til det beskrevne formål.

Hvis De behøver hjælp ved valg af tilbehør eller ønsker yderligere informationer, bedes De kontakte Deres lokale Makita servicecenter.

- Hjørnemundstykke
- Rund børste
- Hvirveltilbehør
- HEPA-filter
- Filterpose
- Støvpose
- Original Makita-akku og oplader

BEMÆRK: Nogle ting på denne liste kan være inkluderet i værktøjspakken som standardtilbehør. Det kan være forskellige fra land til land.

BRĪDINĀJUMS

- Šo mašīnu nav paredzēts izmantot personām (tostarp bērniem) ar samazinātām fiziskām, maņu vai garīgām spējām vai personām bez pieredzes un zināšanām.
- Bērni ir jāuzrauga, lai tie nerotaļātos ar ierīci.
- Lai uzzinātu akumulatora tipu, skatiet nodaļu „TEHNISKIE DATI”.
- Lai uzzinātu, kā uzstādīt vai izņemt akumulatoru, skatiet sadaļu „Akumulatora kasetnes uzstādīšana un izņemšana”.
- Lai utilizētu akumulatora kasetni, izņemiet to darbarīka un likvidējiet drošā vietā. Ievērojiet vietējos noteikumus par akumulatoru likvidēšanu.
- Ja darbarīks netiks lietots ilgu laiku, no tā jāizņem akumulators.
- Neradiet akumulatora kasetnes īssavienojumu.
- Informāciju par atbilstošiem piesardzības pasākumiem apkopes darbu laikā skatiet nodaļā „APKOPE”.

SPECIFIKĀCIJAS

Modelis:	VC010G
Maksimālais gaisa tilpums ^{*1}	1,8 m ³ /min
Vakuums ^{**}	15 kPa
Ietilpība	5 l
Izmēri (G x P x A)	326 mm x 381 mm x 1 146 mm
Nominālais spriegums	Līdzstrāva 36 V–40 V maks.
Tīrsvars	8,0–9,2 kg

*1 Mērījuma vērtības tiek noteiktas pēc mūsu oriģinālās metodes.

- Nepārtrauktās izpētes un izstrādes programmas dēļ šeit uzrādītās specifikācijas var tikt mainītas bez brīdinājuma.
- Tehniskie dati var atšķirties dažādās valstīs.
- Svārs norādīts, iekļaujot papildaprīkojumu (apaļo suku, stūru uzgali) un akumulatora kasetni(-es). Vieglākais un smagākais ierīces un akumulatora kasetnes(-ņu) kopējais svārs ir norādīts tabulā.

Piemērotā akumulatora kasetne un lādētājs

Akumulatora kasetne	BL4020 / BL4025 / BL4040 / BL4040F / BL4050F / BL4080F
Lādētājs	DC40RA / DC40RB / DC40RC / DC40WA

- Daži no iepriekš norādītajiem lādētājiem un akumulatora kasetnēm var nebūt pieejami atkarībā no jūsu mītnes reģiona.

▲BRĪDINĀJUMS: Izmantojiet vienīgi iepriekš norādītās akumulatora kasetnes un lādētājus. Cita tipa akumulatora kasetņu un lādētāju izmantošana var radīt traumu un/vai aizdegšanās risku.

Simboli

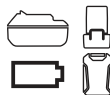
Tālāk ir attēloti simboli, kas var attiekties uz darbarīka lietošanu. Pirms darbarīka izmantošanas pārliecinieties, vai pareizi izprotat to nozīmi.



Izlasiet lietošanas rokasgrāmatu.



Esiet īpaši rūpīgs un uzmanīgs.



Šim izstrādājumam ir piemērots parauga akumulators.



Tikai ES valstīm
 Tā kā šajā aprīkojumā ir bīstamas sastāvdaļas, elektrisko un elektronisko iekārtu, akumulatoru un bateriju atkritumi var negatīvi ietekmēt apkārtējo vidi un cilvēka veselību.
 Elektroierīces, elektroniskās ierīces un akumulatorus nedrīkst izmest kopā ar mājsaimniecības atkritumiem!
 Saskaņā ar Eiropas direktīvu par elektrisko un elektronisko iekārtu atkritumiem, akumulatoriem un baterijām, kā arī akumulatoru un bateriju atkritumiem un šīs direktīvas pielgošanu valsts tiesību aktiem elektrisko un elektronisko iekārtu, bateriju un akumulatoru atkritumi ir jāglabā atsevišķi un jānogādā uz sadzīves atkritumu dalītās savākšanas vietu, ievērojot attiecīgo vides aizsardzības noteikumus.
 Par to liecina uz iekārtas redzams simbols ar pārsvītrotu atkritumu konteineru uz riteņiem.

Paredzētā lietošana

Šī ierīce ir paredzēta sausu putekļu savākšanai. Ierīce ir piemērota komerciālai lietošanai, piemēram, viesnīcās, skolās, slimnīcās, rūpnīcās, veikalos, birojos, kā arī iznomāšanai.

Trokšņa līmenis

Tipiskais A svērtais trokšņa līmenis noteikts saskaņā ar IEC60335-2-69:

Skaņas spiediena līmeni (L_{pA}): 70 dB (A) vai mazāk
 Mainīgums (K): 2,5 dB (A)

Darbības laikā trokšņa līmenis var pārsniegt 80 dB (A).

PIEZĪME: Paziņotā trokšņa emisijas vērtība noteikta atbilstoši standartā pārbaudes metodei, un to var izmantot, lai salīdzinātu vienu darbarīku ar citu.

PIEZĪME: Paziņoto trokšņa emisijas vērtību arī var izmantot iedarbības sākotnējā novērtējumā.

▲BRĪDINĀJUMS: Lietojiet ausu aizsargus.

▲BRĪDINĀJUMS: Trokšņa emisija patiesos darba apstākļos var atšķirties no paziņotās vērtības atkarībā no darbarīka izmantošanas veida un jo īpaši atkarībā no apstrādājamā materiāla veida.

▲BRĪDINĀJUMS: Lai aizsargātu lietotāju, nosakiet drošības pasākumus, kas pamatoti ar iedarbību reālos darba apstākļos (ņemot vērā visus ekspluatācijas cikla posmus, piemēram, laiku, kamēr darbarīks ir izslēgts un kad darbojas tukšgaitā, kā arī palaides laiku).

Vibrācija

Vibrācijas kopējā vērtība (trīsasu vektora summa) noteikta atbilstoši IEC60335-2-69:

Vibrācijas emisija ($a_{h,M}$): 2,5 m/s² vai mazāk
 Mainīgums (K): 1,5 m/s²

PIEZĪME: Paziņotā kopējā vibrācijas vērtība noteikta atbilstoši standartā pārbaudes metodei, un to var izmantot, lai salīdzinātu vienu darbarīku ar citu.

PIEZĪME: Paziņoto kopējo vibrācijas vērtību arī var izmantot iedarbības sākotnējā novērtējumā.

▲BRĪDINĀJUMS: Vibrācijas emisija patiesos darba apstākļos var atšķirties no paziņotās vērtības atkarībā no darbarīka izmantošanas veida un jo īpaši atkarībā no apstrādājamā materiāla veida.

▲BRĪDINĀJUMS: Lai aizsargātu lietotāju, nosakiet drošības pasākumus, kas pamatoti ar iedarbību reālos darba apstākļos (ņemot vērā visus ekspluatācijas cikla posmus, piemēram, laiku, kamēr darbarīks ir izslēgts un kad darbojas tukšgaitā, kā arī palaides laiku).

Atbilstības deklarācijas

Tikai Eiropas valstīm

Atbilstības deklarācijas šajā lietošanas rokasgrāmatā ir iekļautas kā A pielikums.

DROŠĪBAS BRĪDINĀJUMI

Drošības brīdinājumi bezvadu putekļsūcēja lietošanai

▲BRĪDINĀJUMS: SVARĪGI! PIRMS LIETOŠANAS UZMANĪGI IZLASIET visus drošības brīdinājumus un visus norādījumus. Brīdinājumu un norādījumu neievērošanas gadījumā var rasties elektrotrauma, aizdegšanās un/vai smagas traumas.

1. Pirms lietošanas pārliecinieties, ka lietotājs ir pienācīgi apmācīts šā putekļu sūcēja lietošanā.
2. Nelietojiet ierīci, ja nav uzstādīts filtra maiss un/vai filtri. Nekavējoties nomainiet bojātu filtru.
3. NEPIEĻAUJIET NEJAUŠU IEDARBINĀŠANU. Akumulatora(-u) ievietošanas laikā slēdzim jābūt izslēgtam (OFF).
4. Nemēģiniet savākt ugunsnedrošus priekšmetus, piemēram, uguņošanas raķetes, degošas cigaretes, karstus pelnus, karstas metāla skaidas, kā arī asus priekšmetus, piemēram, žiletas, saplēstu stiklu u. c.
5. NEKĀDĀ GADĪJUMĀ NEIZMANTOJIET PUTEKĻU SŪCĒJU, JA TUVUMĀ ATRODAS DEGVIELA, GĀZE, KRĀSA, LĪME VAI CITAS VIELAS AR AUGSTU SPRĀDZIENBĪSTAMĪBU. Slēdzi ieslēdzot (ON) vai izslēdzot (OFF), rodas dzirksteles. Dzirksteles rodas arī no motora kolektora darbības laikā. Tas var izraisīt bīstamu sprādzienu.
6. Ierīce nav piemērota kaitīgu putekļu sūkšanai.
7. Nekad neiesūciet toksiskus, kancerogēnus, ugunsnedrošus vai citus kaitīgus materiālus, piemēram, azbestu, arsēnu, bāriju, beriliju, svini, pesticīdus vai citus materiālus, kas apdraud veselību.
8. Nesūciet putojošus paklāju tīrīšanas līdzekļus u. tml. Tas var izraisīt eksploziju vai aizdegšanos.
9. Neizmantojiet ārpus telpām vai uz mitrām virsmām.

10. Šo iekārtu Somijā nedrīkst lietot ārpus telpām zemā temperatūrā.
11. Nelietojiet ierīci siltuma avotu (piem., krāsns u. c.) tuvumā.
12. Neaizsprostojiet iesūkšanas/pūšanas/dzesēšanas atveres. Šīs atveres dzesē motoru. Īpaši uzmanieties, lai neveidotos nosprostojumus, citādi motors sadegs ventilācijas trūkuma dēļ.
13. Nelokiet, neraujiet šļūteni un nekāpiet tai virsū.
14. Ja izmantošanas laikā ierīce nedarbojas pareizi vai pamanāt jebkādas novirzes, nekavējoties izslēdziet putekļu sūcēju.
15. **IZŅEMĪET AKUMULATORU(-US).** Ja ierīci neizmantojat, pirms tās tehniskās apkopes un piederumu maiņas.
16. Tīriet un apkopiet putekļsūcēju uzreiz pēc katras lietošanas reizes, lai uzturētu to optimālā darba stāvoklī.
17. **APKOPIET PUTEKĻU SŪCĒJU RŪPĪGI.** Uzturiet putekļu sūcēju tīru, lai tas darbotos labi un droši. Ievērojiet piederumu maiņas norādījumus. Uzturiet rokturus sausus un tīrus; rūpējieties, lai uz tiem nebūtu eļļas un smērvielu.
18. **PĀRBAUDIET, VAI NAV BOJĀTU DAĻU.** Pirms turpināt lietot ierīci, aizsargu vai citu daļu, kas bijusi bojāta, rūpīgi pārbaudiet, lai noteiktu, vai tā pareizi darbosies un izpildīs savas funkcijas. Pārbaudiet, vai kustīgās daļas ir pareizi savīrzītas, brīvi kustas, nav salīzušas; pārbaudiet to stiprinājumus un citus apstākļus, kas var ietekmēt putekļu sūcēja darbību. Bojātais aizsargs vai citas daļas jāmaina vai jāremontē pilnvarotā apkopes centrā, ja vien šajā lietošanas rokasgrāmatā nav norādīts citādi. Bojātus slēdzus nomainiet pilnvarotā apkopes centrā. Neizmantojiet putekļu sūcēju, ja ar slēdzi to nevar ieslēgt un izslēgt.
19. **REZERVES DAĻAS.** Veicot apkopi, izmantojiet tikai oriģinālās rezerves daļas.
20. Vienmēr glabājiet putekļsūcēju telpās, kad to nelietojat.
21. Saudzējiet putekļu sūcēju. Nevīzīgi izturieties, var sabojāt pat vizituzturīgāko putekļu sūcēju.
22. Netīriet ierīces ārpusi un iekšpusi ar benzīnu, šķīdinātāju vai citām tīrīšanas ķīmikālijām. Tas var radīt plaisas un izbalēšanu.
23. Neizmantojiet putekļu sūcēju ierobežotā vietā, kur izdalās viegli uzliesmojoši, eksplozīvi vai toksiski izgarojumi no eļļas krāsas, krāsas šķīdinātāja, degvielas, dažiem pretkožu līdzekļiem u. c., vai vietās, kur ir ugunsnedroši putekļi.
24. Nelietojiet šo vai citas ierīces, ja esat narkotisko vielu vai alkohola ietekmē.
25. Atkarībā no apkārtējās darba vides lietojiet aizsargaprīkojumu, piemēram, sejas masku.
26. Šo mašīnu nav paredzēts izmantot personām (ostarp bērniem) ar samazinātām fiziskām, maņu vai garīgām spējām vai personām bez pieredzes un zināšanām.
27. Bērni ir jāuzrauga, lai tie nerotaļātos ar ierīci.
28. Neņemiet akumulatoru(-us) vai putekļsūcēju ar mitrām rokām.
29. Īpaši uzmanieties, tīrot uz kāpnēm.
30. Neizmantojiet putekļsūcēju uz nestabilām vai slīpām virsmām, lai novērstu tā nokrišanu, kas var radīt savainojumus vai aprīkojuma bojājumus.
31. Vienmēr stingri stāviet uz droša pamata, saglabājot līdzsvaru.
32. Neizmantojiet putekļu sūcēju kā pakāpienu vai darbagaldu. Mašīna var nokrist un radīt traumas.
33. Gādājiet, lai ķermeņa daļas un apģērbs nesaskartos ar atverēm un kustīgām daļām, piemēram, rotējošu birstes rullīti. Pretējā gadījumā tie var iekļerties ierīcē, radot miesas bojājumus.

Bezvada darbarīka lietošana un apkope

1. **Uzlādei izmantojiet tikai ražotāja norādītos lādētājus.** Vienam akumulatoru tipam paredzēta uzlādētāja izmantošana cita tipa akumulatoru uzlādei var radīt aizdegšanās bīstamību.
2. **Izmantojiet mehānizētos darbarīkus tikai ar paredzētajiem akumulatoriem.** Jebkura cita tipa akumulatoru izmantošana var radīt traumu un aizdegšanās bīstamību.
3. **Kamēr akumulators netiek izmantots, neturiet to blakus metāla priekšmetiem, piemēram, saspraudēm, monētām, atslēgām, naglām, skrūvēm un citiem neliehim metāla priekšmetiem, kas var savienot izvadus.** Akumulatora spaiļu īssavienojums var izraisīt apdegumus vai aizdegšanos.
4. **Nepareizas lietošanas gadījumā no akumulatora var izteciēt šķidrums, nepieskarieties tam.** Ja nejausi pieskārties šķidrumam, noskalojiet skarto vietu ar ūdeni. Ja šķidrums nokļūst acīs, papildus iepriekš minētajam, vērsieties pie ārsta. No akumulatora izteciējušais šķidrums var izraisīt kairinājumu vai apdegumus.
5. **Ja akumulatora bloks vai darbarīks ir bojāts vai pārveidots, nelietojiet to.** Bojāti vai pārveidoti akumulatori var darboties nepareizi, izraisot aizdegšanos, sprādzienu vai traumu.
6. **Akumulatora bloku un darbarīku nepakļaujiet uguns un pārmērīgi augstas temperatūras ietekmei.** Ja akumulatora bloks vai darbarīks tiek pakļauts uguns vai par 130 °C augstākas temperatūras iedarbībai, var notikt sprādziens.
7. **Izpildiet visus uzlādes norādījumus un neuzlādējiet akumulatora bloku ārpus norādītajos noteiktā temperatūras diapazona.** Nepareiza uzlāde vai temperatūra, kas ir ārpus noteiktā diapazona, var sabojāt akumulatoru un palielināt aizdegšanās draudus.

SAGLABĀJIET ŠOS NORĀDĪJUMUS.

▲BRĪDINĀJUMS: NEPIEĻAUJIET to, ka labu iemaņu vai izstrādājuma labas pārziņāšanas (darbarīku atkārtoti ekspluatējot) rezultātā vairs stingri ievērojāt šīs izstrādājuma drošības noteikumus. **NEPAREIZI LIETOJOT** darbarīku vai ievērojot šajā instrukcijā rokasgrāmatā minētos drošības noteikumus, var tikt gūtas smagas traumas.

Svarīgi drošības norādījumi par akumulatora kasetni

1. Pirms akumulatora lietošanas izlasiet visus norādījumus un brīdinājumus, kuri attiecas uz (1) akumulatora lādētāju, (2) akumulatoru un (3) ierīci, kurā tiek izmantots akumulators.
2. Akumulatora kasetni nedrīkst ne pārveidot, ne izjaukt. Citādi var tikt izraisīta aizdegšanās, pārmērīgs karstums vai sprādziens.
3. Ja akumulatora darbības laiks kļūva ievērojami īsāks, nekavējoties pārtrauciet to izmantot.
4. Ja elektrolīts nonāk acīs, izskalojiet tās ar tīru ūdens un nekavējoties griezties pie ārsta. Tas var izraisīt redzes zaudēšanu.
5. Neradiet īssavienojumu akumulatora kasetnē:
 - (1) Nepieskarieties spaiļēm ar elektrību vadošiem materiāliem.
 - (2) Neuzglabāriet akumulatoru kasetni kopā ar citiem metāla priekšmetiem, tādiem kā naglas, monētas u. c.
 - (3) Nepakļaujiet akumulatora kasetni ūdens vai lietus iedarbībai.

Akumulatora īssavienojums var radīt spēcīgu strāvas plūsmu, pārkaršanu, uzliesmojumu un pat sabojāt akumulatoru.
6. Neglabāriet un neizmantojiet darbarīku un akumulatora kasetni vietās, kur temperatūra var sasniegt vai pārsniegt 50 °C (122 °F).
7. Nededziniet akumulatora kasetni, pat ja tā ir stipri bojāta vai pilnībā nolietota. Akumulatora kasetne ugunī var eksplodēt.
8. Akumulatora kasetni nedrīkst naglot, griezt, saspīest, mest vai nomest, kā arī pa to nedrīkst sist ar cietu priekšmetu. Šādas darbības var izraisīt aizdegšanos, pārmērīgu karstumu vai sprādzienu.
9. Neizmantojiet bojātu akumulatoru.
10. Uz izmantotajiem lītija jonu akumulatoriem attiecas likumdošanas prasības par bīstamiem izstrādājumiem.

Komerציālā transportēšanā, ko veic, piemēram, trešās puses, transporta uzņēmumi, jāievēro uz iesaiņojuma un marķējuma norādītās īpašās prasības.

Lai izstrādājumu sagatavotu nosūtīšanai, jāsažinās ar bīstamo materiālu speciālistu. Ievērojiet arī citus attiecināmos valsts normatīvus.

Valējus kontaktus nosedziet ar līmlenti vai citādi pārklājiet, bet akumulatoru iesaiņojiet tā, lai sainī tas nevarētu izkustēties.
11. Lai utilizētu akumulatora kasetni, izņemiet to no darbarīka un likvidējiet drošā vietā. Ievērojiet vietējos noteikumus par akumulatora likvidēšanu.

12. Izmantojiet šos akumulatorus tikai ar izstrādājumiem, kurus norādījis Makita. Ievietojot šos akumulatorus nesaderīgos izstrādājumos, var rasties ugunsgrēks, pārmērīgs karstums, tie var uzsprāgt vai no tiem var izteciēt elektrolīts.
13. Ja darbarīks netiks lietots ilgu laiku, no tā jāizņem akumulators.
14. Lietošanas laikā vai pēc tās akumulatora kasetne var uzkrāt siltumu, kas var izraisīt apdegumus vai zemas temperatūras apdegumus. Ar karstu akumulatora kasetni apejieties rūpīgi.
15. Nepieskarieties darbarīka izvadam uzreiz pēc lietošanas, jo tas var būt sakarsis un izraisīt apdegumus.
16. Neļaujiet akumulatora kasetnes spaiļēs, atverēs un rievās uzkrāties skaidām, putekļiem vai netīrumiem. Tas var izraisīt sasilšanu, aizdegšanos, sprādzienu instrumenta vai akumulatora kasetnes nepareizu darbību, un lietotājs var gūt apdegumus vai ievainojumus.
17. Neizmantojiet akumulatora kasetni augstsprieguma līniju tuvumā, izņemot gadījumus, kad darbarīks ir piemērots lietošanai augstsprieguma līniju tuvumā. Citādi darbarīks vai akumulatora kasetne var sākt darboties nepareizi vai tikt sabojāti.
18. Glabāriet akumulatoru bērniem nepieejamā vietā.

SAGLABĀJIET ŠOS NORĀDĪJUMUS.

⚠️UZMANĪBU: Lietojiet tikai oriģinālos Makita akumulatorus. Ja lietojat neoriģinālus Makita akumulatorus vai pārveidotus akumulatorus, tie var uzsprāgt un izraisīt aizdegšanos, traumas un materiālos zaudējumus. Tīks anulēta arī Makita darbarīka un lādētāja garantija.

Ieteikumi akumulatora kalpošanas laika pagarināšanai

1. Uzlādējiet akumulatora kasetni, pirms tā ir pilnībā izlādējusies. Viennēr, kad ievērojāt, ka darbarīka darba jauda zudusi, apturiet darbarīku un uzlādējiet akumulatora kasetni.
2. Nekad neuzlādējiet pilnībā uzlādētu akumulatora kasetni. Pārmērīga uzlāde saīsina akumulatora kalpošanas laiku.
3. Uzlādējiet akumulatora kasetni istabas temperatūrā 10 °C - 40 °C. Karstai akumulatora kasetnei pirms uzlādes ļaujiet atdzist.
4. Kad akumulatora kasetne netiek izmantota, izņemiet to no darbarīka vai lādētāja.
5. Uzlādējiet lītija jonu akumulatora kasetni, ja to ilgstoši nelietosit (vairāk nekā sešus mēnešus).

DETAĻU APRAKSTS

▶ Att.1

1	Rokturis	2	Slēdža plāksne	3	Caurulveida rokturis	4	Šļūtene
5	Indikāciju panelis	6	Svira (putekļu nodalījuma pārsegam)	7	Putekļu nodalījuma pārsegs	8	Pārnēsāšanas rokturis
9	Akumulatora kasetne	10	Regulēšanas svira	11	Stūru uzgalis	12	Apalā suka
13	Kājas svira	14	Rītenīši	15	Sānu suka	16	Iesūkšanas šļūtene
17	Savienojums	18	Alumīnija caurule	19	Caurules turētājs	20	Lampa
21	Birstes rullītis	22	Apakšējā plāksne	23	Režīma maiņas poga	24	IESL./IZSL. poga
25	Darbības režīma indikators	26	Pārsniegta putekļu līmeņa indikators	27	Birstes rullīša kļūdas indikators	28	Atlikušās akumulatora jaudas indikators
29	Akumulatora pārbaudes/lampas poga	-	-	-	-	-	-

MONTĀŽA

⚠UZMANĪBU: Pirms darbarīka regulēšanas vai apkopes vienmēr pārlicinieties, ka darbarīks ir izslēgts un akumulatora kasetne ir izņemta.

⚠UZMANĪBU: Ierīces salikšanas vai apkopes laikā vienmēr lietojiet putekļu masku.

Roktura pievienošana

1. Roktura stieni līdz galam ievietojiet putekļsūcējā, kā tas norādīts attēlā.
2. Aizveriet fiksatoru.
 - ▶ **Att.2:** 1. Roktura stienis 2. Sarkanā atzīme 3. Fiksators

IEVĒRĪBAI: Iebīdīet rokturi līdz galam, līdz sarkanā atzīme vairs nav redzama.

Šļūtenes pievienošana

Ievietojiet šļūteni tai paredzētajā pievienošanas vietā un pagrieziet šļūteni, līdz tā nofiksējas.

- ▶ **Att.3:** 1. Stiprinājuma ligzda

Caurules pievienošana

Ievietojiet alumīnija caurules galu savienojumā, pēc tam piestipriniet alumīnija cauruli pie caurules turētāja.

- ▶ **Att.4:** 1. Savienojums 2. Caurules turētājs

IEVĒRĪBAI: Ievietojiet alumīnija cauruli pareizā virzienā, kā norādīts attēlā. Pretējā gadījumā caurules turētājs nebūs nofiksēts un alumīnija caurule var atvienoties.

- ▶ **Att.5**

Akumulatora kasetnes uzstādīšana un izņemšana

⚠UZMANĪBU: Vienmēr pirms akumulatora kasetnes uzstādīšanas vai izņemšanas izslēdziet ierīci.

⚠UZMANĪBU: Uzstādot vai izņemot akumulatora kasetni, cieši turiet putekļsūcēju un akumulatora kasetni. Ja putekļsūcēju un akumulatora kasetni netur cieši, tie var izkrist no rokām, tā sabojājot ierīci un akumulatora kasetni, kā arī izraisīt savainojumus.

⚠UZMANĪBU: Uzstādot akumulatora kasetni, uzmanieties, lai neiespiestu pirkstus. Neievērojot šo norādījumu, ir iespējami savainojumi.

⚠UZMANĪBU: Neuzstādiet/neizņemiet akumulatora kasetni ar mitrām rokām. Tas rada elektriskās strāvas trieciena risku.

Savietojiet akumulatora kasetnes mēlīti ar rievu korpusā un iebīdīet to vietā. Ievietojiet to līdz galam, līdz tā ar klikšķi nofiksējas.

- ▶ **Att.6:** 1. Akumulatora kasetne 2. Poga

Lai izņemtu akumulatora kasetni, izņemiet to no ierīces, pabīdot uz augšu pogu kasetnes priekšpusē.

⚠UZMANĪBU: Akumulatora kasetni vienmēr uzstādiet pilnībā. Pretējā gadījumā tā var nejauši izkrist no ierīces un savainot jūs vai apkārtējos.

⚠UZMANĪBU: Neievietojiet akumulatora kasetni ar spēku. Ja kasetne neslīd ietvarā viegli, tā nav pareizi ielikta.

Filtra maisa uzstādīšana

⚠UZMANĪBU: Nelietojiet bojātu filtra maisu. Izmantojiet putekļsūcēju tikai ar pareizi uzstādītu filtra maisu. Citādi iesūktie putekļi vai citas daļiņas var tikt izpūstas no putekļsūcēja un izraisīt operatora elpceļu slimības.

Pirms putekļsūcēja lietošanas uzstādiet filtra maisu. Filtra maiss ir vienreiz lietojams. Kad filtra maiss ir pilns, izmetiet to neiztukšotu.

IEVĒRĪBAI: Ja filtra maiss ir pilns vai aizsērējis, nomainiet to pret jaunu. Nepārtraukta putekļsūcēja lietošana ar pilnu vai aizsērējušu filtra maisu samazina sūkšanas jaudu.

IEVĒRĪBAI: Lai putekļi neieķītu motorā, rīkojieties pēc šiem norādījumiem.

- Pirms lietošanas pārliecinieties, ka ir uzstādīts filtra maiss.
- Nelietojiet bojātu vai saplēstu filtra maisu.


Lietojot bojātu maisu, var sabojāt motoru.

IEVĒRĪBAI: Uzstādot filtra maisu, nesalokiet kartonu pie tā atveres.

IEVĒRĪBAI: Filtra maiss ir svarīga detaļa putekļsūcēja optimālas darbības nodrošināšanai. Cita ražojuma filtra maisa izmantošana var izraisīt dūmošanu vai aizdegšanos.

PIEZĪME: Ja ierīcē nav ievietots filtra maiss, nevar pilnībā aizvērt putekļu nodalījuma pārsegu.

PIEZĪME: Dažās valstīs un reģionos ir uzstādīts vairākkārt izmantojams putekļu maiss. Uz to attiecas tādas pašas uzstādīšanas/noņemšanas darbības kā filtra maisam.

1. Atbloķējiet sviru un atveriet putekļu nodalījuma pārsegu.
▶ **Att.7:** 1. Svira 2. Putekļu nodalījuma pārsegs
2. Pilnībā atlokiet filtra maisu.
▶ **Att.8**
3. Atveriet fiksatoru un ievietojiet filtra maisu turētāja atverē tā, lai pirmā tīkta ievietota puse ar atzīmi .
▶ **Att.9:** 1. Fiksators 2. Atvere 3. Filtra maiss 4. Turētājs
▶ **Att.10:** 1. Atzīme 2. Sprauga

PIEZĪME: Pārliecinieties, ka caur turētāja spraugu ir redzama tikai uz filtra maisa kartona esošā atzīme.

4. Pieaķējiet pie turētāja fiksatora.
▶ **Att.11:** 1. Fiksators
5. Ja filtra maiss ir salocīts, pilnībā to atlokiet.
▶ **Att.12**
6. Stingri nofiksējiet putekļu nodalījuma pārsegu.

UZMANĪBU: Pieaķējot filtra maisu pie fiksatora vai aizverot putekļu nodalījuma pārsegu, uzmanieties, lai neiespiestu pirkstus.

Filtra maisa izņemšana

UZMANĪBU: Apejieties ar filtra maisu uzmanīgi. Pretējā gadījumā acīs var tikt iepūsti svešķermeņi, tādējādi radot traumas.

Ja filtra maiss ir pilns vai aizsērējis, nomainiet to. Atveriet putekļu nodalījuma pārsegu un fiksatoru, pēc tam izņemiet filtra maisu.
▶ **Att.13:** 1. Fiksators

Pavelciet strēmelīti atveres sānā, lai noslēgtu filtra maisu un izmestu to ar visu saturu.

▶ **Att.14:** 1. Strēmelīte

IEVĒRĪBAI: Nelietojiet filtra maisu atkārtoti. Filtra maisu paredzēts lietot vienu reizi. Ja filtra maiss tiek izmantots atkārtoti, filtrs var aizsērēt un sabojāt ierīci.

FUNKCIJU APRAKSTS

UZMANĪBU: Pirms ierīces regulēšanas vai darbības pārbaudes vienmēr pārliecinieties, ka ierīce ir izslēgta un akumulatora kasetne ir izņemta.

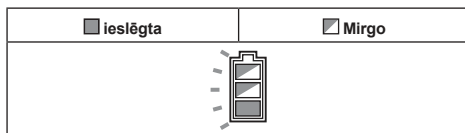
Ierīces/akumulatora aizsardzības sistēma

Ierīce ir aprīkota ar ierīces/akumulatora aizsardzības sistēmu. Šī sistēma automātiski izslēdz motora barošanu, tādējādi pagarinot ierīces un akumulatora darbību. Lietošanas laikā ierīce automātiski pārstāj darboties, ja ierīci vai akumulatoru pakļauj kādam no tālāk minētajiem apstākļiem.

Aizsardzība pret pārslodzi

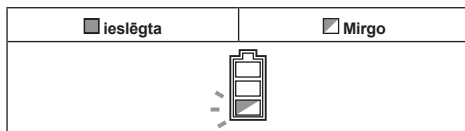
Ja ierīci lieto tā, ka tā patērē pārmērīgi lielu strāvas daudzumu, ierīce automātiski pārstāj darboties. Šādā gadījumā izslēdziet ierīci un pārtrauciet darbību, kas izraisīja ierīces pārslodzi. Pēc tam ieslēdziet ierīci, lai atsāktu darbu.

Aizsardzība pret pārkaršanu



Kad ierīce ir pārkarusi, tā automātiski pārstāj darboties, un akumulatora indikators mirgo apmēram 60 sekundes. Šādā gadījumā pirms atkārtotas ieslēgšanas ļaujiet ierīcei atdzist.

Aizsardzība pret akumulatora pārmērīgu izlādi


















Kad atlikušā akumulatora jauda ir zema, ierīce automātiski pārstāj darboties, un akumulatora indikators mirgo apmēram 60 sekundes. Ja ierīce nedarbojas, pat ieslēdzot slēdzus, izņemiet akumulatoru no ierīces un uzlādējiet to.

Atlikušās akumulatora jaudas indikators

Nospiediet akumulatora kasetnes pārbaudes pogu, lai pārbaudītu akumulatora atlikušo uzlādes līmeni.

Indikatoris iedegsies uz dažām sekundēm.

► **Att.15:** 1. Indikatora lampas 2. Pārbaudes poga

Indikatora lampas			Atlikusī jauda
 Iededzies	 Izslēgts	 Mirgo	
			No 75% līdz 100%
			No 50% līdz 75%
			No 25% līdz 50%
			No 0% līdz 25%
			Uzlādējiet akumulatoru.
 	 		Iespējama akumulatora kļūme.

PIEZĪME: Reālā jauda var nedaudz atšķirties no norādītās atkarībā no lietošanas apstākļiem un apkārtējās temperatūras.

PIEZĪME: Akumulatora aizsardzības sistēmas darbības laikā mirgo pirmais (kreisais malējais) indikators.

Indikāciju panelis

► **Att.16:** 1. Darbības režīms 2. Pārsniegts putekļu līmenis 3. Birstes rullīša kļūda 4. Atlikusī akumulatora jauda 5. Akumulatora pārbaudes/lampas poga

Darbības režīms

Lai mainītu darbības režīmu, skatiet sadaļu par slēdžu darbību.

Pārsniegts putekļu līmenis

Ja iedegas šis indikators, nomainiet filtra maisu. (Skatiet sadaļu par filtra maisa izņemšanu.)

PIEZĪME: Atkarībā no apkārtējās darba vides šis indikators var nedarboties.

PIEZĪME: Indikators automātiski nodziest aptuveni vienu minūti pēc ierīces izslēgšanas. Izlīdēt iestrēgušos putekļus no filtra maisa un atkārtoti ieslēdzot ierīci, indikators nodziest minūtes laikā.

Birstes rullīša kļūda

Mirgo	Kāda iemesla dēļ birstes rullītis ir pakļauts lielai slodzei.
Deg	Neparedzama iemesla dēļ birstes rullītis ir apstājies.








▲BRĪDINĀJUMS: Nekavējoties izslēdziet ierīci, ja darbības laikā iedegas šī lampa. Pretējā gadījumā var rasties motora darbības traucējumi, kas var izraisīt aizdegšanos.

PIEZĪME: Šī lampa var mirgot, ja birstes rullīša augstums ir noregulēts pārāk zemu attiecībā pret pakļāja virsmu. Šādā gadījumā noregulējiet birstes rullīša augstumu.

Atlikusī akumulatora jauda

Darbības laikā nospiediet akumulatora pārbaudes/lampas pogu, lai pārbaudītu atlikušo akumulatora jaudu.

► **Att.17**

Akumulatora indikatora stāvoklis			Atlikusī akumulatora jauda
 Ieslēgts	 Izslēgts	 Mirgo	
			No 50% līdz 100%
			No 20% līdz 50%
			No 0% līdz 20%
			Akumulatora uzlāde

Akumulatora pārbaudes/lampas poga

Iespējams veikt tālāk norādītās darbības.

- Nospiediet pogu, lai pārbaudītu atlikušo akumulatora jaudu.
- Darbības laikā turiet nospiestu pogu, lai ieslēgtu/izslēgtu lampas.

Slēdža darbība

► **Att.18:** 1. Režīma maiņas poga 2. IESL./IZSL. poga

Ierīces ieslēgšana/izslēgšana

Lai ieslēgtu un izslēgtu ierīci, nospiediet IESL./IZSL. pogu.

▲UZMANĪBU: Vienmēr pirms ierīces ieslēgšanas, novietojiet ierīces galvu uz zemes. Pretējā gadījumā pastāv sapīšanās risks un var rasties traumas.

Darbības režīma maiņa

Ir trīs tālāk nosauktie darbības režīmi.

1. Zema trokšņa līmeņa režīms
2. Parasts režīms
3. Lielas jaudas režīms

Lai nomainītu darbības režīmu, nospiediet režīma

maiņas pogu. Darbības režīmu var mainīt arī tad, ja ierīce ir izslēgta. Ierīce sāks darbu jūsu iestatītajā režīmā.

PIEZĪME: Putekļsūcējs sāk darbu tajā pašā režīmā kā pēdējā darbības reizē. Ja izņem akumulatoru, kamēr motors vēl darbojas pēc izslēgšanas, putekļsūcējs, iespējams, nesāks darboties tajā pašā režīmā kā pēdējā darbības reizē.

Lampas ieslēgšana/izslēgšana

UZMANĪBU: Neskatieties gaismā, neļaujiet tās avotam iespīdēt acīs.

Ierīce ir aprīkota ar lampām.

Skatiet sadaļu par akumulatora pārbaudes/lampas pogas darbību.

► **Att.19:** 1. Lampa

Kājas svira

UZMANĪBU: Pirms roktura atlaišanas vienmēr nofiksējiet ierīci vertikālā stāvoklī. Pretējā gadījumā ierīce var nejauši nokrist un izraisīt traumu.

UZMANĪBU: Uzmanieties, lai neiespiestu pirkstus starp ierīces galveno korpusu un galvu.

Lai atbloķētu ierīces vertikālo pozīciju, uzkāpiet uz kājas sviras un pavelciet rokturi atpakaļ.

Kustības diapazons ir 90 grādi no vertikālās pozīcijas.

► **Att.20:** 1. Kājas svira

Lai nofiksētu ierīci vertikālā pozīcijā, celiet rokturi uz augšu, līdz kājas svira ar klikšķi nofiksējas pozīcijā.

► **Att.21**

UZMANĪBU: Pirms darba obligāti atbloķējiet kājas sviru. Rupja pieešanās var izraisīt ierīces daļu salūšanu.

► **Att.22**


PIEZĪME: Kamēr ierīce atrodas vertikālā pozīcijā, birstes rullītis pārstāj griezties.


Birstes rullīša augstuma regulēšana

UZMANĪBU: Pirms darba uzsākšanas pārbaudiet, vai regulēšanas svira pareizi nofiksējas pozīcijā.

Birstes rullīša augstumu var regulēt 5 līmeņos.

Pagrieziet regulēšanas sviru vēlamajā pozīcijā, skatot tabulu.

Regulēšanas sviras pozīcija	Birstes rullīša augstums
A 	Birstes rullītis paliek visaugstākajā stāvoklī no grīdas, šāds stāvoklis piemērots, lai tīrītu paklājus ar garu šķiedru.
B 	Birstes rullītis ir novietots tuvāk grīdai, šāds stāvoklis piemērots, lai tīrītu cietas grīdas un paklājus ar īsu šķiedru.

Regulēšanas sviras pozīcija	Birstes rullīša augstums
C 	Birstes rullītis izbīdās, novietojoties tuvu grīdai, šāds stāvoklis ir efektīvs dzīvai paklāju tīrīšanai un tādu netīrumu, putekļu un daļiņu aizvākšanai, kas iekērušies dziļi šķiedrās.

► **Att.23:** 1. Regulēšanas svira

PIEZĪME: Birstes rullītis var negriezties, ja tā augstums ir noregulēts pārāk zemu attiecībā pret paklāja virsmu.

Pārnēsāšanas rokturis

Kad pārvietojat ierīci, stumiet to tikai uz rītenīšiem, vai nesiet ierīci, turot to aiz nešanas roktura(-iem).

► **Att.24**

UZMANĪBU: Pirms nešanas nofiksējiet ierīci vertikālā pozīcijā. Pretējā gadījumā tā var nejauši nokrist.

UZMANĪBU: Pārnēsājot ierīci, turiet to tikai aiz nešanas roktura, nevis citām ierīces daļām. Pretējā gadījumā ierīce var nejauši nokrist vai ieslēgties, radot traumas.

► **Att.25**

EKSPLUATĀCIJA

UZMANĪBU: Eksploatācijas laikā neizvelciet roktura stieni no ierīces. Tādējādi var tikt zaudēta vadība pār ierīci un radītas nopietnas traumas.

UZMANĪBU: Lietošanas laikā nenovietojiet roku vai kāju zem ierīces. Pretējā gadījumā tā var tikt nejauši iespiesta.

UZMANĪBU: Neizmantojiet šo ierīci vājā apgaismojumā. Darbs sliktā apgaismojumā var izraisīt neparedzētu negadījumu.

Parasta tīrīšanas darbība

1. Turiet rokturi un atbloķējiet ierīces vertikālo pozīciju.
2. Ieslēdziet ierīci. Izīriet grīdu.

► **Att.26**

Sānu suku lietošana

Sānu suka ir noderīga sienu stūru iztīrīšanai.

Ja sānu suka palikusī par īsu, nogādājiet ierīci Makita apkopes centrā, lai suku nomainītu.

► **Att.27:** 1. Sānu suka

Lietošana ar papildaprīkojumu

UZMANĪBU: Izmantojot papildaprīkojumu, neatļaidiet ierīces rokturi. Pretējā gadījumā ierīce var nejauši nokrist un izraisīt traumu.

IEVĒRĪBAI: Izmantojot papildaprīkojumu, nofiksējiet ierīci vertikālā pozīcijā. Pretējā gadījumā birstes rullītis var radīt grīdas bojājumus.

Alumīnija caurules izmantošana

Alumīnija caurule ir piemērota grūti aizsniedzamām vai augstām vietām.

► **Att.28:** 1. Alumīnija caurule

Šļūtenes izmantošana

Šļūtene ir piemērota tīrīšanai roku attālumā aizsniedzamām vietām.

► **Att.29:** 1. Šļūtene

Lai izmantotu šļūteni, izvelciet to no alumīnija caurules, nospiežot sviru.

► **Att.30:** 1. Svira

Lai uzstādītu šļūteni atpakaļ, ievietojiet to alumīnija caurulē, līdz tā ar klikšķi nofiksējas.

► **Att.31**

Palīgierīču izmantošana

► **Att.32**

Lai uzstādītu palīgierīci, pagrieziet un stingri ievietojiet to alumīnija caurulē vai šļūtenē. Lai atvienotu cauruli, pagrieziet un noņemiet to.

APKOPE

UZMANĪBU: Pirms ierīces pārbaudes vai apkopes vienmēr pārlicinieties, ka tā ir izslēgta un akumulatora kasetne ir izņemta.

IEVĒRĪBAI: Nekad neizmantojiet gāzolinu, benzīnu, atšķaidītāju, spirtu vai līdzīgus šķidrumus. Tas var radīt izbalēšanu, deformāciju vai plaisas.

Lai saglabātu izstrādājuma DROŠU un UZTICAMU darbību, remontdarbus, apkopi un regulēšanu uzticiet veikt tikai Makita pilnvarotam vai rūpnīcas apkopes centram, un vienmēr izmantojiet tikai Makita rezerves daļas.

Uzglabāšana

Uzglabājot ierīci, izņemiet akumulatora kasetni un novietojiet ierīci uz līdzenas virsmas vertikālā pozīcijā.

► **Att.33**

Ierīces korpusa tīrīšana

Putekļsūcēja ārpusi (putekļsūcēja korpusu) ik pa laikam notīriet ar ziepjūdeni samitrinātu drānu.

► **Att.34**

HEPA filtra tīrīšana

UZMANĪBU: Nelietojiet putekļsūcēju bez filtra vai neturpiniet to lietot, ja filtrs ir netīrs vai bojāts. Iesūktie putekļi vai citas daļiņas var tikt izpūstas no putekļsūcēja un izraisīt elpceļu slimības ierīces lietotājam.

IEVĒRĪBAI: Lai uzturētu optimālu iesūces jaudu un izpūstais gaiss būtu tīrs, regulāri tīriet filtru. Ja pietiekama iesūces jauda netiek panākta arī pēc filtra tīrīšanas, uzstādiet jaunu filtru.

IEVĒRĪBAI: Lai nesabojātu filtru, tīrīšanai nelietojiet tālāk norādītos darbarīkus vai līdzīgus instrumentus.

- Gaisa pūtējs
- Augstspiediena mazgāšanas ierīce
- Cietā materiāla darbarīki, piemēram, stieplu suka

1. Atveriet putekļu nodalījuma pārsegu un izņemiet filtra maisu.

Atbloķējiet filtra āķus un izņemiet filtru no ierīces korpusa.

► **Att.35:** 1. Āķis

2. Izkratiet putekļus no filtra. Filtru var mazgāt ar ūdeni. Izskalojiet filtrā esošos putekļus un citas daļiņas ik pēc mēneša vai diviem. Pēc tam pilnībā izžāvējiet filtru ēnainā, labi vēdināmā vietā, lai nepieļautu nepatīkama smarža rašanos vai darbības kļūmes.

3. Lai uzstādītu filtru, rievā ievietojiet to pusi, kas ir bez āķiem, un tad spiediet filtru, līdz āķi ar klikšķi nofiksējas.

► **Att.36:** 1. Rieva 2. HEPA filtrs 3. Āķis

Birstes rullīša tīrīšana

1. Noņemiet apakšējo plāksni un pēc tam izņemiet birstes rullīti.

Ja birstes rullīša sariņi kļūst par tsu, vērsieties Makita apkopes centrā, lai saņemtu jaunu rullīti.

Darbinot ierīci ar pārāk īsiem birstes rullīša sariņiem, putekļi netiks pienācīgi savākti.

► **Att.37:** 1. Apakšējā plāksne 2. Birstes rullītis

2. Noņemiet diegus un matus no birstes rullīša, izmantojot šķēres.

Noņemiet vāciņu un iztīriet netīrumus.

► **Att.38:** 1. Uzmava

3. Pretējā secībā uzstādiet atpakaļ vāciņu, birstes rullīti un apakšējo plāksni.

► **Att.39**

UZMANĪBU: Novietojiet pamatnes plāksni atpakaļ vietā, stingri piespiežot, līdz abas sviras ar klikšķi nofiksējas vietā. Ja ierīce tiek darbināta bez apakšējās plāksnes, birstes rullītis var atdalīties, radot savainojumus.

► **Att.40:** 1. Apakšējā plāksne 2. Bloķēšanas svira

IEVĒRĪBAI: Vienmēr uzstādiert birstes rullīti. Darbinot ierīci bez birstes rullīša, putekļi netiks pienācīgi savākti.

Kā iztīrīt nosprostojumu

IEVĒRĪBAI: Nedarbiniet ierīci, ja ienākošās plūsmas ceļš ir nosprostots. Putekļsūcēja ilgstoša lietošana ar nosprostotu ienākošās plūsmas ceļu samazina sūkšanas jaudu.

1. Noņemiet apakšējo plāksni un pēc tam izņemiet birstes rullīti.
2. Izņemiet alumīnija cauruli no ierīces un noņemiet to no šļūtenes.
3. Pagrieziet šļūteni pretēji pulksteņa rādītāja virzienam un noņemiet to no ierīces.
4. Noņemiet iesūkšanas šļūteni, velkot aiz izciļņa.
▶ **Att.41:** 1. Apakšējā plāksne 2. Birstes rullītis 3. Alumīnija caurule 4. Šļūtene 5. Iesūkšanas šļūtene 6. Izciļnis

5. Pārbaudiet ienākošās gaisa plūsmas ceļu alumīnija caurulē, šļūtenē un iesūkšanas šļūtenē.

Iztīriet grūžus no iekšpusēs.

6. Savietojiet iesūkšanas šļūtenes mēlīti ar rievu korpusā un iebīdiet to vietā.

▶ **Att.42:** 1. Mēlīte 2. Rieva

7. Uzstādiert šļūteni, alumīnija cauruli, birstes rullīti un apakšējo plāksni.

⚠UZMANĪBU: Stingri uzstādiert šļūteni un cauruli. Pretējā gadījumā var rasties putekļu noplūde, tādējādi izraisot traumas.

Putekļu maiss

Papildu piederumi

Putekļu maisu var lietot atkārtoti, ja tas tiek iztīrīts.

Putekļu maisa uzstādīšana un noņemšana

Putekļu maisa uzstādīšanas un noņemšanas procedūra ir tāda pati kā filtra maisam. Lūdzu, skatiet sadaļu par filtra maisa uzstādīšanu un filtra maisa izņemšanu.

▶ **Att.43:** 1. Putekļu maiss 2. Gumijas uzliktnis

IEVĒRĪBAI: Uzstādot putekļu maisu, vispirms atveriet gumijas uzliktni. Ievietojiet putekļu maisu ar gumijas uzliktni uz aizmuguri.

Putekļu maisa iztukšošana

1. Aizveriet gumijas uzliktni, lai novērstu putekļu izplatīšanos gaisā.
2. Atveriet maisa priekšdaļu, izvelkot stiprinājumu.
3. Iztukšojiet putekļu maisa saturu, viegli pa to pasītot, lai atdalītu iekšpusē pieplūkušās daļiņas.
▶ **Att.44:** 1. Putekļu maiss 2. Gumijas uzliktnis 3. Stiprinājums

IEVĒRĪBAI: Bieža putekļu maisa iztukšošana. Pārāk daudz putekļu var saplēst maisu.

Putekļu maisa tīrīšana

Putekļu maisu regulāri mazgājiet ar ziepjūdeni. Putekļu maisu izgrieziet uz otru pusi un izņemiet lipīgos putekļus. Viegli mazgājiet ar rokām un kārtīgi izskalojiet ūdenī. Vispirms putekļu maisu izžāvējiet un tikai tad ielieciet putekļsūcējā.

▶ **Att.45**

IEVĒRĪBAI: Mitrš putekļu maiss samazina iesūkšanas jaudu un saīsina motora darbību.

IEVĒRĪBAI: Uzstādot stiprinājumu uz putekļu maisa, gādājiet, lai maisa priekšdaļa būtu stingri aizvērta.

PIEDERUMS „CYCLONE”

Papildu piederumi

▶ **Att.46:** 1. Piederums “Cyclone”

Par piederumu “Cyclone”

Izmantojot putekļsūcēju ar uzstādītu piederumu „Cyclone”, filtra maisā iekļūst mazāk putekļu, tādējādi novēršot sūkšanas jaudas mazināšanos. Turklāt arī tīrīšana pēc putekļsūcēja izmantošanas ir viegla.

⚠UZMANĪBU: Pirms darbarīka regulēšanas vai apkopes vienmēr pārliedcinieties, ka darbarīks ir izslēgts un akumulatora kasetne ir izņemta. Ja akumulatora kasetne ir palikusi putekļsūcējā, tas var negaidīti sākt darboties un radīt traumas.

⚠UZMANĪBU: Notīriet piederuma „Cyclone” sieta filtru un putekļsūcēja filtra maisu, tiklīdz tie aizsprostojas. Izmantojot putekļsūcēju ar aizsprostotu filtru vai putekļu maisu, putekļsūcējs var uzkarst vai no tā var izdalīties dūmi.

IEVĒRĪBAI: Kad ir uzstādīts piederums „Cyclone”, neizmantojiet to horizontālā pozīcijā vai vērstu augšup. Citādi var aizsprostoties sieta filtrs.

IEVĒRĪBAI: Putekļsūcējs jāizmanto tikai ar uzstādītu filtra maisu pat tad, ja ir uzstādīts piederums „Cyclone”. Izmantojot putekļsūcēju bez filtra maisa, var rasties motora darbības traucējumi.

PIEŅĪME: Pirms izmantojat putekļsūcēju, gādājiet, lai piederums “Cyclone”, putekļsūcējs un taisnā caurule būtu kārtīgi sastiprināti.

PIEŅĪME: Iztukšojiet piederuma „Cyclone” putekļu tvertni un putekļsūcēja filtra maisu, kad tajos ir sakrājušies putekļi. Turpinot izmantot putekļsūcēju šādā stāvoklī, samazinās tā sūkšanas jauda.

„Cyclone” piederuma uzstādīšana

1. Pagrieziet uz savu uz šļūtenes pretēji pulksteņa rādītāja kustības virzienam un noņemiet no ierīces

šļūteni, cauruļveida rokturi un alumīnija cauruli.

► **Att.47:** 1. Uzmava 2. Šļūtene 3. Cauruļveida rokturis 4. Alumīnija caurule

2. Pagrieziet uz augšu aizmura sānu malu uz piederuma „Cyclone”, savietojot aizmuru ar rievu iesūkšanas atverē. Nofiksējiet aizmuru, ievietojot piederumu „Cyclone”, līdz tas noklikšķ. Viegli pavelciet piederumu „Cyclone”, lai pārliecinātos, ka tas neatdalāsies. Uzstādiet taisno cauruli tādā pašā veidā kā piederumu „Cyclone”.

► **Att.48:** 1. Piederuma „Cyclone” rokturis 2. Iesūkšanas atvere 3. Piederums „Cyclone” 4. Piederuma „Cyclone” taisnā caurule 5. Aizmurs 6. Fiksācijas poga

3. Uzstādiet piederumu „Cyclone” uz ierīces un pēc tam pagrieziet uzmavu uz šļūtenes pulksteņrādītāju kustības virzienā, lai to nostiprinātu.

► **Att.49**

Putekļu izmešana

Kad putekļi ir sasnieguši pilnas putekļu tvertnes atzīmi, veiciet tālāk norādītās darbības un izmetiet putekļus.

1. Stingri turiet putekļu tvertni, turiet nospiestas abas tvertnes pogas un atvienojiet putekļu tvertni.

► **Att.50:** 1. Pilnas tvertnes atzīme 2. Putekļu tvertne 3. Poga (divās vietās) 4. Sieta filtrs

2. Iztukšojiet putekļu tvertni un notīriet pie sieta filtra pielipušos putekļus un pulverveida daļiņas.

3. Līdz galam ievietojiet putekļu tvertni tā, lai divas pogas ar klikšķi nofiksētos savās vietās.

► **Att.51:** 1. Putekļu tvertne 2. Poga (divās vietās)

PIEZĪME: Uzstādot putekļu tvertni, cieši turiet piederumu „Cyclone”.

PIEZĪME: Pirms atsākat putekļsūcēja izmantošanu, gādājiet, lai piederums „Cyclone”, putekļsūcējs un taisnā caurule būtu kārtīgi sastiprināti.

PIEZĪME: Putekļsūcēja pārsniegta putekļu līmeņa indikators neiedegas, ja piepildās piederuma „Cyclone” putekļu nodalījums.

PIEZĪME: Tālāk aprakstītajos gadījumos pārbaudiet, vai putekļsūcēja filtra maisā nav sakrājušies putekļi vai arī nav radies gaisa ceļu aizsērējums. Ja nepieciešams, novērsiet cēloņus.

- Ja sūkšanas jauda neuzlabojas pēc tam, kad no putekļu nodalījuma ir iztīrīti putekļi un ir iztīrīts sieta filtrs.
- Ja putekļsūcēja pārsniegta putekļu līmeņa indikators turpina degt.

Tīrīšana

Tīklīdz putekļu tvertne ir piesārņojusies vai sieta filtrs ir aizsprostojies, noņemiet un nomazgājiet tos ar ūdeni. (Lai uzzinātu, kā tos noņemt, skatiet sadaļu “Putekļu izmešana”.)

Pirms atkal piestiprināt un sākat izmantot detaļas, kārtīgi nožāvējiet tās.

► **Att.52:** 1. Putekļu tvertne 2. Sieta filtrs

Kad sieta filtrs ir pamatīgi piesārņojies, notīriet to, veicot tālāk norādītās darbības.

1. Grieziet sieta filtru pretēji pulksteņrādītāju kustības virzienam un atvienojiet to, kad āķi ir atbloķēti.

► **Att.53:** 1. Sieta filtrs 2. Āķis

2. Notīriet putekļus no sieta filtra un noskalojiet to ar ūdeni. Pēc tam kārtīgi to nožāvējiet.

3. Ievietojiet sieta filtru tvertnes pamatnē, raugoties, lai āķi būtu savietoti ar attiecīgo atveri. Grieziet sieta filtru pulksteņrādītāju kustības virzienā, līdz brīdim, kad āķi ar klikšķi nofiksējas savās vietās. Gādājiet, lai sieta filtrs būtu cieši piestiprināts.

► **Att.54:** 1. Sieta filtrs 2. Āķis 3. Pievienošanas vieta

PROBLĒMU NOVĒRŠANA

Pirms vienošanās par remontu vispirms veiciet savu pārbaudi. Ja konstatējat problēmu, kas rokasgrāmatā nav aprakstīta, nemēģiniet izjaukt darbarīku. Tā vietā vērsieties Makita pilnvarotā servisa centrā un remontam vienmēr izmantojiet tikai Makita rezerves daļas.

Pazīme	Iespējamais cēlonis	Risinājums
Nedarbojas	Akumulatora kasetne nav uzstādīta pareizi.	Uzstādiet akumulatora kasetni, kā aprakstīts šajā rokasgrāmatā.
	Akumulatora kasetne ir izlādējusies.	Uzlādējiet akumulatora kasetni.
	Rokturis ir uzstādīts nepareizi.	Stingri uzstādiet rokturi atbilstoši šīs rokasgrāmatas norādījumiem.
Birstes rullītis negriežas.	Ierīce ir nofiksēta vertikālā pozīcijā.	Atbloķējiet ierīces vertikālo pozīciju.
	Deg birstes rullīša kļūdas indikators.	Pārbaudiet, vai birstes rullītī (korpusā, vāciņā un savienojumā) nav iekrājušies netīrumi.

Pazīme	Iespējamais cēlonis	Risinājums
Maza iesūkšanas jauda	Mirgo pārsniegta putekļu līmeņa indikators.	Nomainiet filtra maisu. Ja filtra maiss nav pilns, atlokiet filtra maisu un pakratiet to, lai iztīrītu iestrēģušos putekļus.
	⇨Ja filtra maisa nomaīņa neatrisina problēmu...	Iztīriet vai nomainiet HEPA filtru. Pārbaudiet, vai netīrumi nav aizsprostojuši šļūteni un cauruli.
	Birstes rullītī ir sapinušies netīrumi, kā rezultātā ir samazinājies griešanās ātrums.	Pārbaudiet, vai birstes rullītī (korpusā, vāciņā, savienojumā) nav iekērušies netīrumi.
	Birstes rullītis atrodas pārāk augstu no grīdas.	Nolaidiet birstes rullīti zemāk.
	Birstes rullīša sariņi ir kļuvuši pārāk īsi.	Nomainiet birstes rullīti. Nolaidiet birstes rullīti zemāk.
	Ierīce darbojas zemākajā režīmā.	Nomainiet uz augstāku darbības režīmu.
	Birstes rullītis nav uzstādīts.	Uzstādiet birstes rullīti.
	Caurule vai šļūtene nav uzstādīta pareizi.	Stingri uzstādiet cauruli vai šļūteni.
Kšaļš ierīces darbības troksnis	Ierīce darbojas augstākajā režīmā.	Nomainiet uz zemāku darbības režīmu.
	Birstes rullītī ir sapinušies netīrumi.	Pārbaudiet, vai birstes rullītī (korpusā, vāciņā un savienojumā) nav iekērušies netīrumi.
	Filtra maiss ir piepildīts ar putekļiem.	Nomainiet filtra maisu.
	⇨Ja filtra maisa nomaīņa neatrisina problēmu...	Iztīriet vai nomainiet HEPA filtru. Pārbaudiet, vai netīrumi nav aizsprostojuši šļūteni un cauruli.
Pēc īsas ierīces darbināšanas mirgo filtra maisa pārsniegta putekļu līmeņa indikators.	Filtra maiss ir salocīts.	Pirms uzstādīšanas atlokiet filtra maisa atveri.
Lampa neiedegas.	Lampas iestatījums ir izslēgts.	Darbības laikā turiet nospiestu akumulatora pārbaudes/lampas pogu, lai ieslēgtu lampu.
Ierīces ritenīti ir grūti izkustināt.	Ierīces ritenītī ir sapinušies netīrumi.	Iztīriet netīrumus no ierīces ritenīša.

PAPILDU PIEDERUMI

⚠UZMANĪBU: Šādi piederumi un papildierīces tiek ieteiktas lietošanai ar šajā rokasgrāmatā aprakstīto Makita darbarīku. Izmantojot citus piederumus vai papildierīces, var tikt radīta traumu gūšanas bīstamība. Piederumu vai papildierīci izmantojiet tikai paredzētajam mērķim.

Ja jums vajadzīga palīdzība vai precīzāka informācija par šiem piederumiem, vērsieties savā tuvākajā Makita apkopes centrā.

- Stūru uzgalis
- Apaļā suka
- Piederums "Cyclone"
- HEPA filtrs
- Filtra maiss
- Putekļu maiss
- Makita oriģinālais akumulators un lādētājs

PIEZĪME: Daži sarakstā norādītie izstrādājumi var būt iekļauti instrumenta komplektācijā kā standarta piederumi. Tie dažādās valstīs var būt atšķirīgi.

ĮSPĖJIMAS

- Šis įrenginys nėra skirtas naudoti asmenims, įskaitant vaikus, turintiems fizinių, jutimo ar dvasios negalių arba stokojantiems patirties ir žinių.
- Būtina prižiūrėti vaikus, kad jie nežaistų su valymo įrenginiu.
- Akumulatoriaus tipą rasite nurodytą skyriuje „TECHNINĖS SĄLYGOS“.
- Kaip išimti ar įdėti akumuliatorių, skaitykite skyriuje „Akumulatoriaus kasetės įdėjimas ar išėmimas“.
- Kai išmetate akumulatoriaus kasetę, išimkite ją iš įrankio ir išmeskite saugioje vietoje. Vadovaukitės vietos reglamentais dėl akumuliatorių išmetimo.
- Jei įrankis bus ilgą laiką nenaudojamas, akumuliatorių būtina išimti iš įrankio.
- Nesudarykite akumulatoriaus kasetėje trumpojo jungimo.
- Atitinkamą informaciją apie atsargumo priemones atliekant naudotojui techninės priežiūros darbus rasite skyriuje „TECHNINĖ PRIEŽIŪRA“.

SPECIFIKACIJOS

Modelis:	VC010G
Didžiausias oro tūris ¹¹	1,8 m ³ /min
Vakuumas ¹¹	15 kPa
Pajėgumas	5 l
Matmenys (I x P x A)	326 mm x 381 mm x 1 146 mm
Vardinė įtampa	Nuol. sr. 36 V – 40 V maks.
Grynavis svoris	8,0–9,2 kg

¹¹ Vertė išmatuota mūsų originaliu metodu.

- Atliktame tęstiniuose tyrimuose ir nuolat tobuliname savo gaminius, todėl čia pateikiamos specifikacijos gali būti keičiamos be įspėjimo.
- Skirtingose šalyse techninės sąlygos gali skirtis.
- Svoris nurodytas su priedais (apvaliu šepetėliu, kampiniu antgaliu) ir akumulatoriaus kasete (-ėmis). Mažiausias ir didžiausias prietaiso ir akumulatoriaus kasetės (-ių) svoriai nurodyti lentelėje.

Tinkama akumulatoriaus kasetė ir (arba) įkroviklis

Akumulatoriaus kasetė	BL4020 / BL4025 / BL4040 / BL4040F / BL4050F / BL4080F
Įkroviklis	DC40RA / DC40RB / DC40RC / DC40WA

- Atsižvelgiant į gyvenamosios vietos regioną, kai kurios pirmiau nurodytos akumulatoriaus kasetės ir įkrovikliai gali būti neprieinami.

ĮSPĖJIMAS: Naudokite tik akumulatoriaus kasetes ir įkroviklius, kurie nurodyti anksčiau. Naudojant bet kurias kitas akumulatoriaus kasetes ir įkroviklius, gali kilti sužeidimo ir gaisro pavojus.

Simboliai

Toliau yra nurodyti simboliai, kurie gali būti naudojami įrangai. Prieš naudodami įsitikinkite, kad suprantate jų reikšmę.



Perskaitykite instrukcijų vadovą.



Būkite itin atsargūs ir dėmesingi.



Šiam gaminiui tinkantis akumulatorius.



Taikoma tik ES šalims
Kadangi įrangoje yra pavojeingų komponentų, panaudota elektrinė ir elektroninė įranga, akumulatoriai ir baterijos gali turėti neigiamo poveikio aplinkai ir žmonių sveikatai.
Nešalinkite elektros ir elektroninių prietaisų ar baterijų kartu su buitiniemis atliekomis! Pagal Europos direktyvą dėl elektros ir elektroninės įrangos atliekų bei akumuliatorių ir baterijų bei jos pritaikymą nacionaliniams įstatymams, panaudota elektros ir elektroninė įranga, baterijos ir akumulatoriai turi būti surenkami atskirai ir pristatomi į atskirą buitinių atliekų surinkimo punktą, kuris veikia pagal aplinkos apsaugos taisykles. Tai rodo perbrauktas konteinerio ant ratukų simbolis, pateiktas ant įrangos.

Numatytoji naudojimo paskirtis

Šis prietaisas skirtas sausoms dulkėms surinkti. Šis prietaisas tinkamas komerciniam naudojimui, pavyzdžiui, viešbučiuose, mokyklose, ligoninėse, gamyklose, parduotuvėse, biuruose ir nuomos verslo įmonėse.

Triukšmas

Įprastas triukšmo A lygis, nustatytas pagal IEC60335-2-69:

Garso slėgio lygis (L_{pA}): 70 dB (A) arba mažiau
Paklaida (K): 2,5 dB (A)

Dirbant triukšmo lygis gali viršyti 80 dB (A).

PASTABA: Paskelbta (-os) triukšmo reikšmė (-ės) nustatyta (-os) pagal standartinį testavimo metodą ir ji galima naudoti vienam įrankiui palyginti su kitu.

PASTABA: Paskelbta (-os) triukšmo reikšmė (-ės) taip pat gali būti naudojama (-os) norint preliminariai įvertinti triukšmo poveikį.

⚠️ ĮSPĖJIMAS: Dėvėkite ausų apsaugą.

⚠️ ĮSPĖJIMAS: Faktiškai naudojant elektrinį įrankį, keliamo triukšmo dydis gali skirtis nuo paskelbtos (-ų) reikšmės (-ių), priklausomai nuo būdų, kuriais yra naudojamas šis įrankis, ir ypač nuo to, kokio tipo ruošinys apdirbamas.

⚠️ ĮSPĖJIMAS: Siekdami apsaugoti operatorių, būtinai įvertinkite saugos priemones, remdamiesi vibracijos poveikio įvertinimu esant faktinėms naudojimo sąlygoms (atsižvelgdami į visas darbo ciklo dalis, pavyzdžiui, ne tik kiek laiko įrankis veikia, bet ir kiek kartų jis yra išjungiamas bei kai jis veikia be apkrovų).

Vibracija

Vibracijos bendroji vertė (triacio vektorius suma) nustatyta pagal IEC60335-2-69 standartą:

Vibracijos emisija ($a_{h,bl}$): 2,5 m/s² arba mažiau
Paklaida (K): 1,5 m/s²

PASTABA: Paskelbta (-os) vibracijos bendroji (-osios) reikšmė (-ės) nustatyta (-os) pagal standartinį testavimo metodą ir ji galima naudoti vienam įrankiui palyginti su kitu.

PASTABA: Paskelbta (-os) vibracijos bendroji (-osios) reikšmė (-ės) taip pat gali būti naudojama (-os) norint preliminariai įvertinti vibracijos poveikį.

⚠️ ĮSPĖJIMAS: Faktiškai naudojant elektrinį įrankį, keliamos vibracijos dydis gali skirtis nuo paskelbtos (-ų) reikšmės (-ių), priklausomai nuo būdų, kuriais yra naudojamas šis įrankis, ir ypač nuo to, kokio tipo ruošinys apdirbamas.

⚠️ ĮSPĖJIMAS: Siekdami apsaugoti operatorių, būtinai įvertinkite saugos priemones, remdamiesi vibracijos poveikio įvertinimu esant faktinėms naudojimo sąlygoms (atsižvelgdami į visas darbo ciklo dalis, pavyzdžiui, ne tik kiek laiko įrankis veikia, bet ir kiek kartų jis yra išjungiamas bei kai jis veikia be apkrovų).

Atitikties deklaracijos

Tik Europos šalims

Atitikties deklaracijos įtrauktos į šios naudojimo instrukcijos A priedą.

SAUGOS ĮSPĖJIMAI

Saugos įspėjimai dėl akumulatorinio vakuuminio valymo įrenginio naudojimo

⚠️ ĮSPĖJIMAS: SVARBU: PRIEŠ PRADĖDAMI NAUDOTI, ATIDŽIAI PERSKAITYKITE visus saugos įspėjimus ir nurodymus. Nesilaikydami toliau pateiktų įspėjimų ir instrukcijų, galite patirti elektros smūgį, gaisrą ir (arba) sunkų sužeidimą.

1. Prieš pradėdami naudoti, įsitikinkite, ar šį valymo įrenginį naudoja tik tie žmonės, kurie yra tinkamai išmokyti, kaip naudoti šį valymo įrenginį.
2. Nenaudokite neįdėję filtro maišelio ir (arba) filtrų. Pažeistą filtrą nedelsdami pakeiskite nauju.
3. VENKITE NETYČINIO PALEIDIMO. Prieš dėdami akumuliatorių (-ius), patikrinkite, ar jungiklis yra nustatytas į išjungimo padėtį „OFF“.
4. Nebandykite susiurbti degių medžiagų, fejerkerkų, degančių cigarečių, karštų pelėnų, įkaitusių metalo drožlių, aštrių daiktų, pavyzdžiui, skutimosi peiliukų, adatų, stiklo duženų ir pan.
5. NIEKADA NENAUDOKITE VALYMO ĮRENGINIO ŠALIA BENZINO, DUJŲ, DAŽŲ, KLIJŲ ARBA KITŲ LABAI DEGIŲ MEDŽIAGŲ. Įjungiant arba išjungiant jungiklį, kyla kibirkščių. Įrenginiui veikiant, kibirkščiuoja ir variklio srovės keitiklis. Gali kilti pavojingas sproginimas.

6. Šis valymo įrenginys nėra tinkamas pavojingoms dulkelėms surinkti.
7. Niekada nesiurbkite nuodingų, kancerogeninių, degių arba kitų pavojingų medžiagų, pavyzdžiui, asbesto, arseno, bario, berilio, švino, pesticidų ir kitų sveikatai pavojingų medžiagų.
8. Nesiurbkite putų, pvz., kilimų valymo priemonių ir pan. Kitaip gali kilti sprogimas arba gaisras.
9. Nenaudokite lauke ir ant šlapių paviršių.
10. Suomijoje šio įrenginio negalima naudoti lauke esant žemai temperatūrai.
11. Nenaudokite prietaiso arti šilumos šaltinių (viryklių ir pan.).
12. Neužkimškite įsiurbimo angos / išleidimo / vėsinimo ventiliacijos angų. Šios ventiliacijos angos skirtos varikliui aušinti. Stenkitės jų neužblokuoti, kitaip dėl vėdinimo trūkumo perdegis variklis.
13. Nesulenkite, neįtempkite ir neatsistokite ant žarnos.
14. Nedelsdami išjunkite valymo įrenginį, jeigu pastebėtumėte, jog jis prastai arba neįprastai veikia.
15. **IŠIMKITE AKUMULIATORIŲ (-IUS).** Kai jo nenaudojate, prieš atlikdami remonto arba techninės priežiūros darbus ir keisdami priedus.
16. Norėdami, kad valymo įrenginys veiktų geriausiai, kiekvieną kartą jį panaudoję, nuvalykite ir atlikite techninę jo priežiūrą.
17. **TINKAMAI PRIŽIŪRĖKITE VALYMO ĮRENGINĮ.** Valymo įrenginys visuomet turi būti švarus, kad darbas vyktų geriau ir saugiau. Laikykites priedų keitimo nurodymų. Rankenos turi būti švarios, sausos ir neišstėptos tepalu.
18. **PAVIRŠIŲ PRIŽIŪRA, AR NĖRA SUGEDUSIŲ DALIŲ.** Prieš toliau naudodami valymo įrenginį, atidžiai apžiūrėkite sugadintą apsauginį įtaisą ar kitą dalį ir nustatykite, ar ji veiks tinkamai ir atliks savo funkciją. Patikrinkite judančių dalių sulyginimą, suveržimą, ar nėra sulūžusių dalių, ar dalys tinkamai sumontuotos ir kitas sąlygas, kurios gali paveikti prietaiso veikimą. Sugadintą apsauginį įtaisą ar kitą dalį reikia tinkamai remontuoti arba pakeisti įgaliotajame techninės priežiūros centre, nebent šioje instrukcijoje nurodyta kitaip. Sugedusius jungiklius turi pakeisti įgaliotasis priežiūros centras. Nenaudokite valymo įrenginio, jeigu jo jungiklis jo neįjungia arba neišjungia.
19. **ATSARGINĖS DALYS.** Prižiūrėdami naudokite tik identiškas atsargines dalis.
20. Kai nenaudojate, visada sandėliuokite dulkių siurblių patalpoje.
21. Saugokite valymo įrenginį. Šturkščiai naudojami, gali sugesti net ir tvirčiausi valymo įrenginiai.
22. Nebandykite valyti išorinių arba vidinių dalių benzino, tirpikliu arba cheminėmis valymo medžiagomis. Jos gali įtrūkti arba išblukti.
23. Nenaudokite valymo įrenginio uždaroje patalpoje, kurioje yra degių, sprogių arba nuodingų garų, kuriuos skleidžia aliejiniai dažai, dažų skiedikliai, benzinas, kai kurios kandžių neėdamos medžiagos ir pan., arba tokiose vietose, kuriose yra degių dulkių.
24. Nenaudokite šio arba bet kokio kito įrenginio, kai esate apsvaigę nuo narkotikų arba alkoholio.
25. Dėvėkite tinkamas apsaugines priemones, tokias kaip kaukė, atsižvelgiant į naudojimo aplinką.
26. Šis įrenginys nėra skirtas naudoti asmenims, įskaitant vaikus, turintiems fizinių, jutimo ar dvasios negalių arba stokojančioms patirties ir žinių.
27. Būtina prižiūrėti vaikus, kad jie nežaistų su valymo įrenginiu.
28. Niekada nelieskite akumulatoriaus (-ių) ar valymo įrenginio šlapiomis rankomis.
29. Būkite itin atsargūs, valydami laiptus.
30. Nenaudokite dulkių siurblio ant nestabiliaus ar pasvirusio pagrindo, kad jis nenukristų ir ko nors nesužalotų arba nebūtų apgadintas.
31. Visuomet tvirtai stovėkite ant žemės, išlaikykite pusiausvyrą.
32. Nenaudokite šio valymo įrenginio vietoj kėdės arba darbastalio. Įrenginys gali nuvirsti ir sužeisti.
33. Saugokite visas kūno dalis ir drabužius nuo angų ir judančių dalių, pavyzdžiui, besisukančio šepėčių bloko. Kitaip jie gali įsipainioti į prietaisą bei sužaloti jus.

Akumulatorinio įrankio naudojimas ir priežiūra

1. Įkraukite naudodami tik gamintojo nurodytą įkroviklį. Įkroviklis, kuris tinka vienam akumulatorių tipui įkrauti, gali kelti gaisro pavojų, jei bus naudojamas su kitų tipų akumulatoriais.
2. Elektrinius įrankius naudokite tik su specialiai jiems skirtais akumulatoriais. Naudojant bet kurį kitą akumulatorių gali kilti sužeidimo ir gaisro pavojus.
3. Kai akumulatorius nėra naudojamas, laikykite jį toliau nuo kitų metalinių daiktų, pavyzdžiui, popieriaus sąvaržėlių, monetų, raktų, vinių, varžtų ir kitų mažų metalinių daiktų, dėl kurių gali kilti trumpasis jungimas tarp kontaktų. Akumulatorių kontaktų trumpasis jungimas gali būti nudegimų arba gaisro priežastimi.
4. Netinkamai naudojant iš akumulatoriaus gali iškėsti skysčio. Venkite sąlyčio su juo. Jei sąlytis atsitiktinai įvyko, gausiai nuplaukite vandeniu. Jei skysčio pateko į akis, kreipkitės į gydytoją. Iš akumulatoriaus išbėgęs skystis gali sudirginti arba nudeginti odą.
5. Nenaudokite sugadinto ar modifikuoto akumulatoriaus arba įrankio. Sugadinti arba modifikuoti akumulatoriai gali veikti neįprastai, todėl gali kilti gaisras, sprogimas arba sužalojimo rizika.
6. Saugokite akumulatorių arba įrankį nuo ugnies ar pernelyg aukštos temperatūros. Dėl ugnies ar 130 °C viršijančios temperatūros gali kilti sprogimas.
7. Laikykites visų įkrovimo nurodymų ir nekraukite akumulatoriaus ar įrankio, kai temperatūra neatitinka nurodymuose pateikto temperatūros intervalo. Netinkamai įkraunant arba

įkraunat esant kitam nei nustatytas temperatūros intervalui, gali būti sugadintas akumuliatorius ar padidėti gaisro rizika.

SAUGOKITE ŠIAS INSTRUKCIJAS.

⚠️PERSPĖJIMAS: NELEISKITE, kad patogumas ir gaminio pažinimas (įgyjamas pakartotinai naudojant) susilpnintų griežtą saugos taisyklių, taikytinų šiam gaminiui, laikymąsi. Dėl NETINKAMO NAUDOJIMO arba saugos taisyklių, kurios pateiktos šioje instrukcijoje, nesilaikymo galima rimtai susižeisti.

Svarbios saugos instrukcijos, taikomos akumuliatoriaus kasetei

1. Prieš naudodami akumuliatoriaus kasetę, perskaitykite visas instrukcijas ir perspėjimus ant (1) akumuliatorių įkroviklio, (2) akumuliatorių ir (3) akumuliatorių naudojančio gaminio.
2. Neardykite ir negadinkite akumuliatoriaus kasetės. Dėl to ji gali užsidegti, per daug įkaisti arba sprogti.
3. Jei įrankio darbo laikas žymiai sutrumpėjo, nedelsdami nutraukite darbą su įrankiu. Tai gali kelti perkaitimo, nudegimų ar net sporgimo pavojų.
4. Jei elektrolitas pateko į akis, plaukite jas tyru vandeniu ir nedelsdami kreipkitės į gydytoją. Gali kilti regėjimo praradimo pavojus.
5. Neužtrumpinkite akumuliatoriaus kasetės:
 - (1) Nelieskite kontaktų degiomis medžiagomis.
 - (2) Venkite laikyti akumuliatoriaus kasetę kartu su kitais metaliniais daiktais, pavyzdžiui, vinimis, monetomis ir pan.
 - (3) Saugokite akumuliatoriaus kasetę nuo vandens ir lietaus.

Trumpasis jungimas akumuliatoriuje gali sukelti stiprią srovę, perkaitimą, galimus nudegimus ar net akumuliatoriaus gedimą.

6. Nelaikykite ir nenaudokite įrankio ir akumuliatoriaus kasetės vietose, kur temperatūra gali pasiekti ar viršyti 50 °C (122 °F).
7. Nedeginkite akumuliatoriaus kasetės, net jei yra stipriai pažeista ar visiškai susidėvėjusi. Ugnyje akumuliatoriaus kasetė gali sprogti.
8. Akumuliatoriaus kasetės nekalkite, nepjaustykite ir nemėtykite ir taip pat į ją netrancykite kietu daiktu. Taip elgiantis, ji gali užsidegti, per daug įkaisti arba sprogti.
9. Nenaudokite pažeisto akumuliatoriaus.
10. Įdėtomis ličio jonų akumuliatoriams taikomi Pavojingų prekių teisės akto reikalavimai. Komeracinis transportas, pvz., trečiųjų šalių, prekių vežimo atstovų, turi laikytis specialaus reikalavimo ant pakuotės ir ženklavimo. Norėdami paruošti siųstiną prekę, pasitarkite su pavojingų medžiagų specialistu. Be to, laikytis galimai išsamesnių nacionalinių reglamentų. Užklijuokite juosta arba padenkite atvirus kontaktus ir supakuokite akumuliatorių taip, kad ji

pakuotėje nejudėtų.

11. Kai išmetate akumuliatoriaus kasetę, išimkite ją iš įrankio ir išmeskite saugioje vietoje. Vadovaukitės vietos reglamentais dėl akumuliatorių išmetimo.
12. Baterijas naudokite tik su „Makita“ nurodytais gaminiais. Baterijas įdėjus į netinkamus gaminius gali kilti gaisras, gaminys pernelyg įkaisti, kilti sprogimas arba pratekėti elektrolitas.
13. Jei įrankis bus ilgą laiką nenaudojamas, akumuliatorių būtina išimti iš įrankio.
14. Darbo metu ir po akumuliatoriaus kasetės gali būti įkaitusi ir dėl to nudeginti. Imdami akumuliatoriaus kasetes, būkite atsargūs.
15. Tuojau pat po naudojimo nelieskite įrankio gnybtų, nes jie gali būti įkaitę tiek, kad nudegins.
16. Nelieskite, kad į akumuliatoriaus kasetės gnybtus, angas ir griovelius patektų drožlių, dulkių ar žemių. Jos gali sukelti kaitimą, užsidegti, sprogti ir sukelti įrankio ar akumuliatoriaus kasetės gedimą, dėl ko galima nusideginti ar susižaloti.
17. Jeigu įrankis nėra pritaikytas naudoti šalia aukštos įtampės elektros linijų, akumuliatoriaus kasetės nenaudokite šalia aukštos įtampės elektros linijų. Dėl to gali sutrikti įrankio ar akumuliatoriaus kasetės veikimas arba jie gali sugesti.
18. Laikykite akumuliatorių vaikams nepasiekiamoje vietoje.

SAUGOKITE ŠIAS INSTRUKCIJAS.

⚠️PERSPĖJIMAS: Naudokite tik originalų „Makita“ akumuliatorių. Neoriginalaus „Makita“ arba pakeisto akumuliatoriaus naudojimas gali nulemti gaisrą, asmens sužalojimą ir pažeidimą. Tai taip pat panaikina „Makita“ suteikiamą „Makita“ įrankio ir įkroviklio garantiją.

Patarimai, ką daryti, kad akumuliatorius veiktų kuo ilgiau

1. Pakraukite akumuliatoriaus kasetę prieš ją visiškai išsikraunant. Visuomet nustokite naudoti įrankį ir pakraukite akumuliatoriaus kasetę, kai pastebite, kad įrankio galia sumažėjo.
2. Niekada nekraukite iki galo įkrautas akumuliatoriaus kasetės. Perkraunant trumpėja akumuliatoriaus eksploatacijos laikas.
3. Akumuliatoriaus kasetę kraukite esant kambario temperatūrai 10 - 40 °C. Prieš pradėdami krauti, leiskite įkautusiai akumuliatoriaus kasetei atvėsti.
4. Kai akumuliatoriaus kasetės nenaudojate, ją išimkite iš įrankio ar įkroviklio.
5. Įkraukite akumuliatoriaus kasetę, jei jos nenaudojate ilgą laiką (ilgiau nei šešis mėnesius).

DALIŲ APRAŠYMAS

► Pav.1

1	Rankena	2	Perjungimo plokštelė	3	Vamzdžio laikiklis	4	Žarna
5	Indikacijos pultas	6	Svirtis (dulkių dėžės dangčiu)	7	Dulkių dėžės dangtis	8	Nešti skirta rankena
9	Akumuliatoriaus kasetė	10	Reguliavimo svirtelė	11	Kampinis antgalis	12	Apvalus šepetėlis
13	Kojinė svirtis	14	Ratukas	15	Šoninis šepetėlis	16	Siurbimo žarna
17	Jungtis	18	Aliuminio vamzdis	19	Vamzdžių laikiklis	20	Lemputė
21	Šepečių blokas	22	Apatinė plokštelė	23	Režimo perjungimo mygtukas	24	Ijungimo (išjungimo) mygtukas
25	Veikimo režimo indikatorius	26	Dulkių pertekliaus lygio indikatorius	27	Šepečių bloko klaidos indikatorius	28	Akumuliatoriaus energijos likučio indikatorius
29	Akumuliatoriaus patikros/lemputės mygtukas	–	–	–	–	–	–

SURINKIMAS

▲ PERSPĖJIMAS: Prieš darydami ką nors įrankiui visada patikrinkite, ar įrenginys išjungtas, o akumuliatorių kasetė – nuimta.

▲ PERSPĖJIMAS: Visada montuodami arba atlikdami techninės priežiūros darbus dėvėkite apsaugos nuo dulkių kaukę.

Jungiamoji rankenėlė

1. Įkiškite rankenėlės strypą į valymo įrenginio korpūsą, kaip parodyta paveikslėlyje.
 2. Uždarykite fiksavimo skląstį.
- **Pav.2:** 1. Rankenėlės strypas 2. Raudona žyma 3. Fiksavimo skląstis

PASTABA: Stumkite rankeną iki galo tol, kol nebematysite raudonos žymos.

Žarnos prijungimas

Įkiškite žarną į bakelio montavimo angą ir sukite pagal laikrodžio rodyklę tol, kol ji bus užfiksuota.

- **Pav.3:** 1. Montavimo anga

Vamzdžių prijungimas

Įkiškite aliuminio vamzdžio galą į jungtį, o tada pritvirtinkite aliuminio vamzdį prie vamzdžio laikiklio.

- **Pav.4:** 1. Jungtis 2. Vamzdžių laikiklis

PASTABA: Įkiškite aliuminio vamzdį teisinga kryptimi, kaip parodyta paveikslėlyje. Priešingu atveju vamzdžio laikiklis nebus užfiksuotas, ir aliuminio vamzdis gali nukristi.

- **Pav.5**

Akumuliatoriaus kasetės uždėjimas ir nuėmimas

▲ PERSPĖJIMAS: Prieš įdėdami arba išimdami akumuliatoriaus kasetę, visada išjunkite prietaisą.

▲ PERSPĖJIMAS: Įdėdami arba išimdami akumuliatoriaus kasetę, tvirtai laikykite valymo įrenginį ir akumuliatoriaus kasetę. Jei dulkių siurblys ir akumuliatoriaus kasetę laikysite netvirtai, jie gali išslįsti iš rankų – dulkių siurblys ir akumuliatoriaus kasetė gali būti sugadinti, o naudotojas – sužalotas.

▲ PERSPĖJIMAS: Įdėdami akumuliatoriaus kasetę, būkite atsargūs, kad neprispaustumėte pirštų. Kitaip galite susižeisti.

▲ PERSPĖJIMAS: Nedėkite ir neišimkite akumuliatoriaus kasetės drėgnomis rankomis. Kyla elektros šoko pavojus.

Sulygiuokite liežuvelį ant akumuliatoriaus kasetės su grioveliumi korpuse ir įstumkite į jai skirtą vietą. Įstatykite iki pat galo, kad spragtelėdama užsifiksuotų.

- **Pav.6:** 1. Akumuliatoriaus kasetė 2. Mygtukas

Jei norite išimti akumuliatoriaus kasetę, ištraukite ją iš prietaiso, stumdami aukštyn mygtuką, esantį kasetės priekyje.

▲ PERSPĖJIMAS: Akumuliatoriaus kasetę visuomet įstatykite iki pat galo. Kitaip ji gali atsitiktinai iškristi iš prietaiso ir sužeisti jus arba aplinkinius žmones.

▲ PERSPĖJIMAS: Nekiškite akumuliatoriaus kasetės įėga. Jeigu kasetė sunkiai lenda, ją kišate netinkamai.

Filtro maišelio uždėjimas

⚠ PERSPĖJIMAS: Nenaudokite sugadinto filtro maišelio. Vakuuminio valymo įrenginiu naudokitės tik tinkamai uždėję filtro maišelį. Kitu atveju susiurbtas dulkes arba smulkias daleles valymo įrenginys gali išmesti į išorę, o tai gali sukelti respiratorinių ligų juo besinaudojančiam asmeniui.

Prieš naudodami variklį, įdėkite filtro maišelį. Filtro maišelis yra vienkartinis. Filtro maišeliui prisipildžius, išmeskite jį neištuštinę.

PASTABA: Jeigu filtro maišelis jau pilnas arba užsikimšęs, pakeiskite jį nauju. Jei filtro maišelis yra pilnas arba užsikimšęs, sumažės siurbimo galia.

PASTABA: Kad į variklį nepatektų dulkių:

- Įsitikinkite, kad prieš naudojimą buvo įdėtas filtro maišelis.
- Nenaudokite sugadinto ar suplėšyto maišelio.

Priešingų atveju variklis gali būti pažeistas.

PASTABA: Įdėdami filtro maišelį, neužlenkite kartono ties jo angą.

PASTABA: Valymo įrenginio filtro maišelis yra svarbi, prietaiso veikimą palaikanti sudedamoji dalis. Naudojant neoriginalų filtro maišelį, gali susidaryti dūmų arba kilti degimas.

PASTABA: Kai filtro maišelis nėra įdėtas į siurbli, dulkių dėžės dangtis užsidaro nevisiškai.

PASTABA: Kai kuriose šalyse ir regionuose būna įrengtas daugkartinio naudojimo dulkių maišelis. Jam taikomi tie patys įrengimo (išėmimo) veiksmai, kaip ir filtro maišelio atveju.

1. Atsukite svirtį ir atidarykite dulkių dėžės dangtį.
▶ **Pav.7:** 1. Svirtis 2. Dulkių dėžės dangtis
2. Visiškai išlankstykite filtro maišelį.
▶ **Pav.8**
3. Atidarykite skląstį ir įdėkite filtro maišelį į laikiklio angą taip, kad pusė su žyme \triangle patektų pirmiausia.
▶ **Pav.9:** 1. Skląstis 2. Anga 3. Filtro maišelis 4. Laikiklis
▶ **Pav.10:** 1. Žymės 2. Išpjova

PASTABA: Įsitikinkite, kad pro laikiklio plyšį matoma tik kartono žyma.

4. Užkabinkite laikiklio skląstį.
▶ **Pav.11:** 1. Skląstis
5. Išlankstykite filtro maišelį, jei jis sulankstytas.
▶ **Pav.12**
6. Gerai užrakinkite dulkių dėžės dangtį.

⚠ PERSPĖJIMAS: Atidarydami ir uždarydami dulkių dėžės dangtį, būkite atsargūs, kad neprišpaustumėte pirštų.

Filtro maišelio nuėmimas

⚠ PERSPĖJIMAS: Filtro maišelį dėkite atsargiai. Kitaip į akis įpūtus pašalinių medžiagų galima sužaloti.

Pakeiskite filtro maišelį, kai jis prisipildo arba užsikemša. Atidarykite dulkių dėžės dangtį ir skląstį, tada išimkite filtro maišelį.

▶ **Pav.13:** 1. Skląstis

Patraukite už juostelės, esančios šalia angos, kad uždarytumėte filtro maišelį ir galėtumėte jį visą išmesti.

▶ **Pav.14:** 1. Juostelė

PASTABA: Filtro maišelio pakartotinai nenaudokite. Filtro maišelis yra vienkartinis. Pakartotinai naudojant filtro maišelį, gali užsikimšti filtras ir gali būti apgadintas prietaisas.

VEIKIMO APRAŠYMAS

⚠ PERSPĖJIMAS: Prieš pradėdami reguliuoti prietaisą arba tikrinti jo veikimą, visuomet būtinai išjunkite prietaisą ir išimkite akumuliatoriaus kasetę.

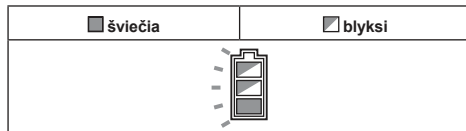
Prietaiso/akumuliatoriaus apsaugos sistema

Prietaise įdiegta prietaiso/akumuliatoriaus apsaugos sistema. Siekiant pailginti prietaiso ir akumuliatoriaus eksploataciją, ši sistema automatiškai atjungia variklio maitinimą. Susidarius vienai iš toliau nurodytų prietaiso arba akumuliatoriaus veikimo sąlygų, prietaisas automatiškai sustoja.

Apsauga nuo perkrovos

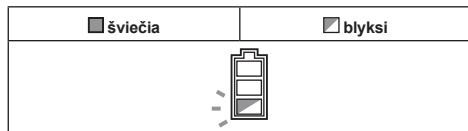
Kai prietaisas naudojamas taip, kad neįprastai padidėja srovės stipris, prietaisas automatiškai sustoja. Tokiu atveju išjunkite prietaisą ir nutraukite darbą, dėl kurio kilo prietaiso perkrova. Tada vėl įjunkite prietaisą.

Apsauga nuo perkaitimo



Kai prietaisas perkaista, jis automatiškai sustoja ir maždaug 60 sekundžių mirksi akumuliatoriaus indikatorius. Tokiu atveju palaukite, kol prietaisas atvės, paskui vėl jį įjunkite.

Apsauga nuo visiško išsikrovimo



Kai išsenka akumuliatorius, prietaisas automatiškai sustoja ir maždaug 60 sekundžių mirksi akumuliatoriaus indikatorius. Jei gaminyje neveikia net ir spaudžiant jungiklius, išimkite iš prietaiso akumuliatorių ir įkraukite.

Likusios akumuliatoriaus galios rodymas

Paspauskite akumuliatoriaus kasetės tikrinimo mygtuką, kad būtų rodoma likusi akumuliatoriaus energija. Maždaug trims sekundėms užsidegs indikatorius lemputės.

► **Pav.15:** 1. Indikatorių lemputės 2. Tikrinimo mygtukas

Indikatorių lemputės			Likusi galia
Šviečia	Nešviečia	Blyksi	
■ ■ ■ ■	□	▣	75 - 100 %
■ ■ ■ □	□	▣	50 - 75 %
■ ■ □ □	□	▣	25 - 50 %
■ □ □ □	□	▣	0 - 25 %
▣ □ □ □	□	▣	Įkraukite akumuliatorių.
■ ■ □ □	□	▣	Galimai įvyko akumuliatoriaus veikimo triktis.
□ □ ■ ■	□	▣	

PASTABA: Rodmuo gali šiek tiek skirtis nuo faktinės energijos lygio – tai priklauso nuo naudojimo sąlygų ir aplinkos temperatūros.

PASTABA: Veikiant akumuliatoriaus apsaugos sistemai ims mirksėti pirmoji (toliausiai kairėje) indikatorius lemputė.

Indikacijos pultas

► **Pav.16:** 1. Veikimo režimas 2. Per didelis dulkių lygis 3. Šepečių bloko klaida 4. Likusi akumuliatoriaus galia 5. Akumuliatoriaus patikros/lemputės mygtukas

Veikimo režimas

Norėdami pakeisti darbo režimą, skaitykite skyrių apie jungiklio veikimą.

Per didelis dulkių lygis

Kai šis indikatorius įsijungia, pakeiskite filtro maišelį. (Žr. skirsnį apie filtro maišelio nuėmimą.)

PASTABA: Priklausomai nuo naudojimo aplinkos, šis indikatorius gali neveikti.

PASTABA: Išjungus prietaisą, indikatorius automatiškai užgęsta po maždaug vienos minutės. Jei pašalinseite filtro maišelio užsikimšimą ir paleisite prietaisą iš naujo, indikatorius užges netgi per vieną minutę.

Šepečių bloko klaida

Mirksi	Dėl tam tikrų priežasčių šepečių blokas yra labai apkrautas.
Šviečia	Šepečių blokas sustabdytas dėl neįprastos priežasties.

ĮSPĖJIMAS: Nedelsdami išjunkite prietaisą, jei ši lemputė įsijungia veikimo metu. Kitaip gali sutrikti variklio veikimas ir kilti gaisras.

PASTABA: Jei šepečių blokas bus nuleistas per žemai, palyginti su kilimo paviršiumi, ši lemputė gali mirksėti. Tokiu atveju sureguliuokite šepečių bloko aukštį.

Likusios akumuliatorių galia

Veikimo metu paspauskite akumuliatoriaus patikros/lemputės mygtuką, kad būtų parodytas akumuliatoriaus energijos likutis.

► **Pav.17**

Akumuliatoriaus indikatorius būseną			Likusi akumuliatorių galia
Šviečia	Nešviečia	Blyksi	
■	□	▣	50–100 %
■ ■ ■ ■	□	▣	20–50 %
■ ■ □ □	□	▣	0–20 %
▣ □ □ □	□	▣	Įkraukite akumuliatorių

Akumuliatoriaus patikros/lemputės mygtukas

Galima atlikti tolesnes operacijas.

- Tiesiog paspauskite mygtuką, kad patikrintumėte

Požymis	Galima priežastis	Ištaisomoji priemonė
Silpna įsiurbimo galia	Dega viršutinio dulkių lygio indikatorius.	Pakeiskite filtro maišelį. Jei filtro maišelis nėra pilnas, išlankstykite jį ir papurtykite, kad pašalintumėte užsikimšimą.
	⇒ Jei filtro maišelio pakeitimas nepadeda...	Išvalykite arba pakeiskite HEPA filtrą. Patikrinkite, ar žarnoje ir vamzdyje nėra įstrigusių šiukšlių.
	Šiukšlės įsipainioja į šepečių bloką, o sukimosi greitis sumažėja.	Patikrinkite, ar aplink šepečių bloką (korpūsą, dangtelį, jungtį) nėra įsipainiojusių šiukšlių.
	Per didelės šepečių bloko aukštis nuo grindų.	Sumažinkite šepečių bloko aukštį.
	Pernelyg sutrumpėjo šepečių bloko šereliai.	Pakeiskite šepečių bloką. Sumažinkite šepečių bloko aukštį.
	Prietaisas veikia silpnu režimu.	Perjunkite į aukštesnį darbo režimą.
	Neįdėtas šepečių blokas.	Įdėkite šepečių bloką.
	Vamzdis arba žarna sumontuoti netinkamai.	Tvirtai pritvirtinkite vamzdį arba žarną.
Garsus triukšmas	Prietaisas veikia aukštu režimu.	Perjunkite į žemesnį darbo režimą.
	Šiukšlės įsipainiojo į šepečių bloką.	Patikrinkite, ar aplink šepečių bloką (korpūsą, dangtelį ir jungtį) nėra įsipainiojusių šiukšlių.
	Filtro maišelis užpildytas dulėmis.	Pakeiskite filtro maišelį.
	⇒ Jei filtro maišelio pakeitimas nepadeda...	Išvalykite arba pakeiskite HEPA filtrą. Patikrinkite, ar žarnoje ir vamzdyje nėra įstrigusių šiukšlių.
Po trumpo naudojimo mirksi perviršinio dulkių lygio indikatorius	Filtro maišelis sulankstytas.	Prieš nustatydami, atlenkite filtro maišelio angą.
Neįsijungia lemputė	Lemputės nuostata – „išjungta“.	Veikimo metu paspauskite ir palaikykite akumulatoriaus patikros/lemputės mygtuką.
Ratukas sunkiai sukasi	Šiukšlės įsipainiojo į ratuką.	Išvalykite šiukšles nuo ratuko.

PASIRENKAMI PRIEDAI

⚠ PERSPĖJIMAS: Šiuos papildomus priedus arba įtaisus rekomenduojama naudoti su šioje instrukcijoje nurodytu „Makita“ bendrovės įrankiu. Naudojant bet kokius kitus papildomus priedus arba įtaisus, gali kilti pavojus sužeisti žmones. Naudokite tik nurodytam tikslui skirtus papildomus priedus arba įtaisus.

Jeigu norite daugiau sužinoti apie tuos priedus, kreipkitės į artimiausią „Makita“ techninės priežiūros centrą.

- Kampinis antgalis
- Apvalus šepetėlis
- Siurblio priedas
- HEPA filtras
- Filtro maišelis
- Dulkių maišelis
- Originalus „Makita“ akumulatorius ir įkroviklis

PASTABA: Kai kurie sąrašė esantys priedai gali būti pateikti įrankio pakuotėje kaip standartiniai priedai. Jie įvairiose šalyse gali skirtis.

HOIATUS

- Seade ei ole ette nähtud kasutamiseks füüsiliste, sensoorsete või vaimsete puuetega isikutele (k.a lapsed) ega isikutele, kellel puuduvad kogemused ja teadmised seadme ohutuks kasutamiseks.
- Lapsi tuleb jälgida, et nad puhastajaga ei mängiks.
- Seadmes kasutatava aku tüübi leiate peatükist „TEHNILISED ANDMED“.
- Aku paigaldamise või eemaldamise juhised leiate jaotisest „Akukasseti paigaldamine või eemaldamine“.
- Kasutuskõlbmatuks muutunud akukasseti kõrvaldamiseks eemaldage see tööriistast ja viige selleks ette nähtud kohta. Järgige kasutuskõlbmatuks muutunud aku kõrvaldamisel kohalikke eeskirju.
- Kui tööriista ei kasutata pika ajaperioodi jooksul, tuleb aku tööriistast eemaldada.
- Ärge tekitage akukasseti lühist.
- Üksikasjalikku teavet hooldamise ajal järgitavate ettevaatusabinõude kohta leiate peatükist „HOOLDAMINE“.

TEHNILISED ANDMED

Mudel:	VC010G
Maksimaalne õhukogus ^{*1}	1,8 m ³ /min
Imur ^{*1}	15 kPa
Mahutavus	5 l
Mõõtmed (P x L x K)	326 mm × 381 mm × 1 146 mm
Nimipinge	Alalisvool 36 V – 40 V max
Netokaal	8,0–9,2 kg

^{*1} Väärtust mõõdetakse meie originaalmeetodi abil.

- Meie pideva uuringu- ja arendusprogrammi tõttu võidakse tehnilisi andmeid muuta ilma sellest ette teatamata.
- Tehnilised andmed võivad riigiti erineda.
- Kaal sisaldab lisatarvikuid (ümmargune hari, nurgaotsak) ja akukasseti (akukassette). Seadme ja akukasseti (akukassettide) kõige kergem ja raskem kombineeritud kaal on näidatud tabelis.

Sobiv akukassett ja laadija

Akukassett	BL4020 / BL4025 / BL4040 / BL4040F / BL4050F / BL4080F
Laadija	DC40RA / DC40RB / DC40RC / DC40WA

- Mõned eespool loetletud akukassettid ja -laadidajad ei pruugi olla teie riigis saadaval.

⚠ HOIATUS: Kasutage ainult ülalpool loetletud akukassette ja laadureid. Muude akukassettide ja laadurite kasutamine võib tekitada vigastusi ja/või tulekahju.

Sümbolid

Alljärgnevalt kirjeldatakse tingimärke, mida võidakse seadmel kasutada. Enne seadme kasutamist tehke endale selgeks nende tähendus.



Lugege juhendit.



Olge äärmiselt ettevaatlik ja tähelepanelik.



Sellele tootele sobiva aku näide.



Ainult EL-i riikide puhul
Seadmes sisalduvate ohtlike osade tõttu võivad elektri- ja elektroonikaseadmete jäätmel, akud ja patareid avaldada negatiivset mõju keskkonnale ja inimeste tervisele.

Elektri- ja elektroonikaseadmeid ega akusid ei tohi kõrvaldada koos olmejäätmetega!

Euroopa elektri- ja elektroonikaseadmete jäätmel, akude ja patareide ning nende jäätmel direktiivi ja riiklikku õigusesse ülevõtmise kohaselt tuleb elektri- ja elektroonikaseadmete, akude ja patareide jäätmel koguda eraldi ning viia eraldiseisvasse olmejäätmete kogumispunkti, mis tegeleb kooskõlas keskkonnakaitse eeskirjadega. Sellele osutab seadmele paigaldatud läbikriipsutatud ratastega prügikasti sümbol.

ning õli- ja rasvavabad.

18. **KONTROLLIGE KAHJUSTUNUD KOMPONENTE.** Enne tolmuimeja edasist kasutamist tuleb hoolikalt kontrollida kahjustatud kaitset või muud seadme osa, et teha kindlaks, kas see töötab edaspidi nõuetekohaselt ja täidab oma otstarvet. Kontrollige liikuvate osade tsentreeringut, liikuvate osade kokkujooksu, purunenud osi, osade paigaldust ja muid tingimusi, mis võivad mõjutada tolmuimeja funktsioneerimist. Kahjustatud kaitse või seadme muu osa tuleb nõuetekohaselt parandada või vahetada välja volitatud teeninduskeskuses, kui kasutusjuhendis ei ole soovitatud teisiti. Laske defektsed lülitid vahetada välja volitatud teeninduskeskuses. Ärge kasutage tolmuimejat, kui selle lüliti ei lülita seadet sisse ega välja.
19. **VARUOSAD.** Kasutage osade väljavahetamiseks ainult originaalvaruosi.
20. Kui te tolmuimejat ei kasuta, hoidke seda alati siseruumides.
21. Käsitsege oma tolmuimejat hoolikalt. Jõuline käsitsemine võib põhjustada isegi kõige tugevama konstruktsiooniga tolmuimeja purunemise.
22. Ärge puhastage tolmuimeja sisemust ega pealispinda bensini, lahusti või keemiliste puhastusvahenditega. See võib põhjustada pragude tekkimist ning värvuse luitumist.
23. Ärge kasutage tolmuimejat kinnises ruumis, kus võib esineda õlipõhisest värvist, värvivedelidist, bensiniist, teatud koitõrjevahenditest jms ainetest tingitud tule- või plahvatusohtlikke või mürgiseid aursid, ega piirkondades, kus on kergesti süttivat tolmu.
24. Ärge kasutage seda ega ühtki teist seadet, kui olete ravimite või alkoholi mõju all.
25. Kandke sobivaid kaitsevahendeid, näiteks maski, mis vastavad kasutuskeskkonnale.
26. Seade ei ole ette nähtud kasutamiseks füüsiliste, sensoorsete või vaimsete puuetega isikutele (k.a lapsed) ega isikutele, kellel puuduvad kogemused ja teadmised seadme ohutuks kasutamiseks.
27. Lapsi tuleb jälgida, et nad puhastajaga ei mängiks.
28. Ärge kunagi käsitsege akut (akusid) ega tolmuimejat märgade kätega.
29. Treppide puhastamisel olge äärmiselt ettevaatlik.
30. Ärge kasutage tolmuimejat ebastabiilsetes või kalde all olevates kohtades, muidu võib see ümber kukkuda ning vigastusi või kahjustusi põhjustada.
31. Hoidke jalad kogu aeg kindlalt maas ja hoidke tasakaalu.
32. Ärge kasutage tolmuimejat toolina ega pingina. Masin võib ümber kukkuda ning tekitada kehavigastusi.
33. Hoidke kehaosad ja riided avavastest ja liikuvatest osadest, nagu pöörlev harjarull, eemal. Muidu võivad need seadme vahele jääda ja põhjustada kehavigastuse.

Akuga tööriista kasutamine ja hooldus

1. **Laadige alati laadijaga, mille tootja on heaks kiitnud.** Laadija, mis sobib kasutamiseks ühte tüüpi akuga, võib kaasa tuua tulekahjuohtu, kui seda kasutada koos mõnda teist tüüpi akuga.
2. **Kasutage elektritööriista üksnes spetsiaalselt neile toodetud akudega.** Mis tahes muude akude kasutamine võib tekitada tervisekahjustusi või tulekahjuohtu.
3. **Kui akut ei kasutata, ärge hoidke seda koos muude metallsemetega, nagu kirjaklambrid, mündid, võtmed, naelad, nagu jm väikesed metallsemed, mis võivad tekitada ühenduse klemmide vahel.** Akuklemmide lühis võib põhjustada põletusi ja tulekahjuohtu.
4. **Väärkasutamise tagajärjel võib akust valguda välja vedelikku; ärge seda puudutage.** Kui olete selle vedelikuga siiski kogemata kokku puutunud, uhtke kohta veega. Kui vedelik on sattunud silma, minge arsti juurde. Akust väljavalgunud vedelik võib põhjustada ärritust ja põletusi.
5. **Ärge kasutage akupaketti ega tööriista, mis on kahjustatud või muudetud.** Kahjustatud või muudetud akud võivad käituda etteaimamatult, põhjustades süttimis-, plahvatus- või vigastusohu.
6. **Kaitske akupaketti ja tööriista tule ja kõrge temperatuuri eest.** Tule või kõrgema kui 130 °C temperatuuriga kokkupuutumine võib tuua kaasa plahvatus.
7. **Pidage kinni kõigist laadimisjuhustest ja ärge laadige akupaketti ega tööriista väljaspool juhendis märgitud temperatuurivahemikku.** Valesti või väljaspool märgitud temperatuurivahemikku laadimine võib kahjustada akupaketti ja suurendada süttimisohu.

HOIDKE JUHEND ALLES.

⚠ HOIATUS: ÄRGE UNUSTAGE järgida toote ohutusnõudeid mugavuse või toote (korduskasutamise) saavutamise hea tundmise tõttu. **VALE KASUTUS** või kasutusjuhendi ohutusekirjade eiramine võib põhjustada tervisekahjustusi.

Akukassetiga seotud olulised ohutusjuhised

1. Enne akukasseti kasutamist lugege (1) akulaadijal, (2) akul ja (3) seadmel olevad juhtnõidrid ja hoiatused läbi.
2. Ärge võtke akukassetti lahti ega muutke seda. See võib põhjustada tulekahju, liigset kuumust või plahvatus.
3. Kui tööaeg järsult lüheneb, siis lõpetage kohe kasutamine. Edasise kasutamise tulemuseks võib olla ülekuumenemisoht, võimalikud põletused või isegi plahvatus.
4. Kui elektrolüüti satub silma, siis loputage silma puhta veega ja pöörduge koheselt arsti poole. Selline õnnetus võib põhjustada pimedaksjäämist.
5. Ärge tekitage akukassetis lühis:
 - (1) Ärge puutuge klemme elektrijuhtidega.
 - (2) Ärge hoidke akukassetti tööriistakastis

koos metallesemetega, nagu naelad, mündid jne.

- (3) Äрге tehke akukasetti märjaks ega jätke seda vihma kätte.

Aku lühis võib põhjustada tugevat elektri-voolu, ülekuumenemist, põletusi ning ka seadet tõsiselt kahjustada.

6. Äрге hoidke ega kasutage tööriista ja akukasetti kohtades, kus temperatuur võib tõusta üle 50 °C (122 °F).
7. Äрге põletage akukasetti isegi siis, kui see on saanud tõsiselt vigastada või on täiesti kulu- nud. Akukasett võib tules plahvatada.
8. Äрге naelutage, löigake, muljuge, visake akukasetti ega laske sel kukkuda, samuti ärge lööge selle pihta kõva esemega. Selline tegevus võib põhjustada tulekahju, liigset kuumust või plahvatuse.
9. Äрге kasutage kahjustatud akut.
10. Sisalduvatele liitium-ioonakudele võivad kohalduda ohtlike kaupade õigusaktide nõu- ded.
Kaubanduslikul transportimisel, näiteks kolman- date poolte või transpordiettevõtete poolt, tuleb järgida pakendil ja siltidel toodud erinõudeid. Transportimiseks ettevalmistamisel on vajalik pidada nõu ohtliku materjali eksperdiga. Samuti tuleb järgida võimalike riiklike regulatsioonide üksikasjalikumaid nõudeid.
Katke teibiga või varjake avatud kontaktid ja pakendage aku selliselt, et see ei saaks pakendis liikuda.
11. Kasutuskõlbmatuks muutunud akukasetti kõrvaldamiseks eemaldage see tööriistast ja viige selleks ette nähtud kohta. Järgige kasu- tuskõlbmatuks muutunud aku kõrvaldamisel kohalikke eeskirju.
12. Kasutage akusid ainult Makita heaks kiidetud toodetega. Akude paigaldamine selleks mitte ettenähtud toodetele võib põhjustada süttimist, ülemäärast kuumust, plahvatamist või elektrolüüdi lekkimist.
13. Kui tööriista ei kasutata pika ajaperioodi

jooksul, tuleb aku tööriistast eemaldada.

14. Kasutamise ajal ja pärast kasutamist võib akukasett kuumeneda, mis võib põhjustada põletusi või madala temperatuuri põletusi. Olge kuuma akukasetti kandmisel ettevaatlik.
15. Äрге puudutage tööriista klemmi kohe pärast kasutamist, sest see võib olla kuum ja põhjus- tada põletusi.
16. Hoidke akukasetti klemmid, avad ja sooned tükikestest, tolmust ja mullast puhtad. See võib põhjustada tööriista või aku ülekuumenemist, süttimist, purunemist ja talitlushäireid, mis võib lõppeda põletuste või kehavigastustega.
17. Kui tööriist ei kannata kasutamist kõrgepingeliinide lähedal, ärge kasutage akukasetti kõrgepingeliinide lähedal. Muidu võib tööriist või akukasett puruneda või sellel tõrge tekkida.
18. Hoidke akut lastele kättesaamatult.

HOIDKE JUHEND ALLES.

⚠ETTEVAATUST: Kasutage ainult Makita originaalakusid. Mitte Makita originaalakude või muudetud akude kasutamine võib põhjustada akude süttimise, kehavigastuse ja kahjustuse. Samuti muu- dab see kehtetuks Makita tööriista ja laadija Makita garantii.

Vihjeid aku maksimaalse kasu- tusaja tagamise kohta

1. Laadige akukasetti enne selle täielikku tühjenemist. Kui märkate, et tööriist töötab väiksema võimsusega, peatage töö ja laadige akukasetti.
2. Äрге laadige täielikult laetud akukasetti. Ülelaadimine lühendab akude kasutusiga.
3. Laadige akukasetti toatemperatuuril 10 °C - 40 °C. Enne laadimist laske kuumenenud aku- kassetil maha jahtuda.
4. Kui te ei kasuta parajasti akukasetti, eemal- dage see tööriistast või laadurist.
5. Kui te ei kasuta akukasetti kauem kui kuus kuud, laadige see.

OSADE KIRJELDUS

► Joon.1

1	Käepide	2	Lülitiplaat	3	Toru käepide	4	Voolik
5	Näidikupaneel	6	Hoob (tolmukarbi kattel)	7	Tolmukarbi kate	8	Kandekäepide
9	Akukasett	10	Reguleerimishoob	11	Nurgaotsak	12	Ümmargune hari
13	Jalghoob	14	Ratas	15	Külghari	16	Imivoolik
17	Liitmik	18	Alumiiniumtoru	19	Toruhoidik	20	Lamp
21	Harjarull	22	Alusplaat	23	Režiimi valimise nupp	24	SISSE/VÄLJA-nupp
25	Töörežiimi näidik	26	Liigse tolmukoguse näidik	27	Harjarulli tõrke näidik	28	Aku jääkmahtuvuse näidik
29	Aku kontrollimise/lambi nupp	-	-	-	-	-	-

KOKKUPANEK

⚠ETTEVAATUST: Kandke alati hoolt selle eest, et tööriist oleks enne igasuguseid hooldustöid välja lülitatud ja akukassett eemaldatud.

⚠ETTEVAATUST: Kokkupaneku ja hoolduse ajal kandke alati tolumumaski.

Käepideme ühendamine

1. Sisestage käepideme vars joonisel näidatud viisi lõpuni tolmuimeja kesse.
 2. Sulgege lukusti.
- ▶ **Joon.2:** 1. Käepideme vars 2. Punane märgistus 3. Lukusti

TÄHELEPANU: Sisestage käepide täies ulatuses nii, et punast märgistust ei oleks näha.

Vooliku ühendamine

Sisestage voolik seadmel olevasse kinnitusavasse ja keerake voolikut päripäeva, kuni see lukustub.

▶ **Joon.3:** 1. Kinnituspesa

Toru ühendamine

Sisestage alumiiniumtoru ots liitmikusse ja kinnitage alumiiniumtoru toruhoidiku külge.

▶ **Joon.4:** 1. Liitmik 2. Toruhoidik

TÄHELEPANU: Sisestage alumiiniumtoru õiges, joonisel näidatud suunas. Muidu toruhoidik ei lukustu ja alumiiniumtoru võib küljest ära tulla.

▶ **Joon.5**

Akukasseti paigaldamine või eemaldamine

⚠ETTEVAATUST: Lülitage seade enne akukasseti paigaldamist või eemaldamist alati välja.

⚠ETTEVAATUST: Hoidke tolmuimejat ja akukassetti kindlalt käes, kui akukassetti paigaldate või eemaldate. Kui eirata tolmuimeja ja akukassetti kindlalt hoidmise nõuet, võivad need käest libiseda ja põhjustada kehavigastusi ning tolmuimejale ja akukassetiile kahjustusi.

⚠ETTEVAATUST: Olge akukasseti paigaldamisel ettevaatlik, et mitte sõrmi vahele jätta. Muidu võite saada kehavigastuse.

⚠ETTEVAATUST: Ärge paigaldage/eemaldage akukassetti märgade kätega. Elektrilöögi oht.

Joondage akukassetil olev keel korpuses oleva soonega ja libistage kassett oma kohale. Sisestage see tervenisti, kuni see lukustub klõpsuga oma kohale.

▶ **Joon.6:** 1. Akukassett 2. Nupp

Akukasseti eemaldamiseks võtke see seadmest välja, lükates kasseti esiküljel paiknevat nuppu üles.

⚠ETTEVAATUST: Paigaldage akukassett alati täielikult. Muidu võib kassett juhuslikult seadmest välja kukkuda ning põhjustada teile või läheduses viibivatele isikutele vigastusi.

⚠ETTEVAATUST: Ärge rakendage akukasseti paigaldamisel jõudu. Kui kassett ei lähe kergesti sisse, pole see õigesti paigaldatud.

Filtrikoti paigaldamine

⚠ETTEVAATUST: Ärge kasutage kahjustatud filtrikotti. Tolmuimeja kasutamisel peab filtrikott olema alati korralikult paigaldatud. Muidu võidakse tolm ja praht tolmuimejast välja paisata ja need võivad põhjustada kasutajale hingamisteede haigusi.

Paigaldage filtrikott enne tolmuimeja kasutamist. Filtrikott on mõeldud ühekordseks kasutamiseks. Kui filtrikott saab täis, visake see ilma tühjendamata välja.

TÄHELEPANU: Kui filtrikott on juba täis või ummistunud, asendage see uuega. Täis või ummistunud filtrikoti edasi kasutamine vähendab imivõimsust.

TÄHELEPANU: Mootori kaitsmine tolmu sissetungimise eest.

- Enne kasutama hakkamist veenduge, et filtrikott oleks paigaldatud.
- Ärge kasutage purunenud ega rebenenud filtrikotti.

Muidu võib mootor puruneda.

TÄHELEPANU: Ärge voltige filtrikoti paigaldamise ajal kartongi selle avas kokku.

TÄHELEPANU: Tolmuimejaga sobiv filtrikott on seadme jõudluse tagamiseks oluline. Mitteoriginaalse filtrikoti kasutamine võib põhjustada suitsu või süttimist.

MÄRKUS: Kui filtrikott pole seadmesse paigaldatud, ei sulgu tolmukarbi kate lõpuni.

MÄRKUS: Taaskasutatav tolmukott on mõnes riigis ja piirkonnas eelpaigaldatud. Võite järgida samu paigaldus-/eemaldussamme nagu filtrikoti.

1. Võtke hoob lukust lahti ja avage tolmukarbi kate.

▶ **Joon.7:** 1. Hoob 2. Tolmukarbi kate

2. Voltige filtrikott täielikult lahti.

▶ **Joon.8**

3. Avage riiv ja sisestage filtrikott hoidiku pessa nii, et see pool, millel on märgistus Δ , siseneks esimesena.

▶ **Joon.9:** 1. Riiv 2. Pesa 3. Filtrikott 4. Hoidik

▶ **Joon.10:** 1. Märgistus 2. Pilu

MÄRKUS: Veenduge, et hoidiku pilu kaudu oleks näha ainult kartongil olev märgistus.

4. Lukustage hoidiku lukusti.

▶ **Joon.11:** 1. Lukusti

5. Kui filtrikott on volditud, voltige see lahti.

▶ **Joon.12**

6. Lukustage tolmukarbi kate kindlalt.

⚠ETTEVAATUST: Olge lukusti haakimisel ja tolmukarbi katte sulgemisel ettevaatlik, et mitte sõrmi vahele jätta.

Filtrikoti eemaldamine

⚠ETTEVAATUST: Käsitsege filtrikotti õrnalt. Muidu võivad võõresemed silma sattuda ja põhjustada vigastusi.

Vahetage filtrikott, kui see on täis või ummistunud. Avage tolmukarbi kate ja lukusti ning võtke filtrikott välja.

► **Joon.13:** 1. Lukusti

Filtrikoti sulgemiseks tõmmake ava küljel olevat riba ja visake kogu filtrikott ära.

► **Joon.14:** 1. Riba

TÄHELEPANU: Ärge korduskasutage filtrikotti. Filtrikott on mõeldud ainult ühekordseks kasutamiseks. Filtrikoti korduskasutamine võib ummistada filtri ja kahjustada seadet.

FUNKSIONAALNE KIRJELDUS

⚠ETTEVAATUST: Kandke alati hoolt selle eest, et seade oleks enne reguleerimist ja kontrollimist välja lülitatud ning akukassett eemaldatud.

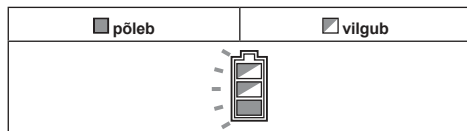
Seadme/aku kaitsesüsteem

Seadmel on seadme/aku kaitsesüsteem. See süsteem lülitab mootori automaatselt välja, et seadme ja aku eluiga pikendada. Seade seiskub käitamise ajal automaatselt, kui seadme või aku kohta kehtib üks järgmistest tingimustest.

Ülekoormuskaitse

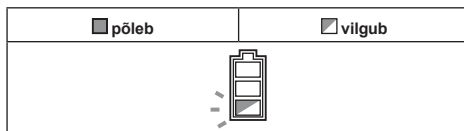
Kui seade hakkab kasutamise käigus tarbima ebaharilikult palju voolu, seiskub seade automaatselt. Sellisel juhul lülitage seade välja ja lõpetage seadme ülekoormuse põhjustanud kasutamine. Pärast seda käivitage seade uuesti.

Ülekuumenemiskaitse



Kui seade on ülekuumenenud, seiskub see automaatselt ja aku märgutuli vilgub umbes 60 sekundit. Sellisel juhul laske seadmel enne uuesti sisselülitamist maha jahtuda.

Ülelaadimiskaitse



Kui aku jääkmahutvus on väike, seiskub seade automaatselt ja aku märgutuli vilgub umbes 60 sekundit. Kui toode ei hakka tööle ka pärast lülitite vajutamist, eemaldage seadme aku ja laadige seda.

Aku jääkmahutavuse näit

Akukasseti järelejäänud mahutavuse kontrollimiseks vajutage kontrollimise nuppu. Märgulambid süttivad mõneks sekundiks.

► **Joon.15:** 1. Märgulambid 2. Kontrollimise nupp

Märgulambid			Jääkmahutavus
Põleb	Ei põle	Vilgub	
			75 - 100%
			50 - 75%
			25 - 50%
			0 - 25%
			Laadige akut.
			Akul võib olla tõrge.

MÄRKUS: Näidatud mahutavus võib veidi erineda tegelikust mahutavusest olenevalt kasutustingimustest ja ümbritseva keskkonna temperatuurist.

MÄRKUS: Esimene (taga vasakul asuv) märgutuli vilgub, kui akukaitsesüsteem töötab.

Näidikupaneel

► **Joon.16:** 1. Töörežiim 2. Liigne tolmukogus 3. Harjarulli tõrge 4. Aku jääkmahutavus 5. Aku kontrollimise/lambi nupp

Töörežiim

Töörežiimi muutmise kohta lugege lülitifunktsioneerimise peatükist.

Liigne tolmukogus

Selle näidiku süttimisel vahetage filtrikott. (Lugege filtrikoti eemaldamise jaotist.)

MÄRKUS: See näidik ei pruugi kasutuskeskkonnast olenevalt töötada.

MÄRKUS: Näidik kustub automaatselt umbes üks minut pärast seadme väljalülitamist. Kui puhastate filtrikoti ummistusest ja taaskäivitute seadme, kustub näidik ühe minuti jooksul.

Harjarulli tõrge

Vilgub	Harjarull töötab mingil põhjusel kõrgele koormusel.
Pöleb	Harjarull on tavatul põhjusel peatunud.

!HOIATUS: Kui see lamp süttib töötamise ajal, lülitage seade viivitamatult välja. Muidu võib tekkida mootori rike ja tulekahju.

MÄRKUS: Lamp võib viilkuda, kui harjarull asub liiga madalal vastu vaiba pinda. Sellisel juhul reguleerige harjarulli kõrgust.

Aku jääkmahutavus

Aku jääkmahtuvuse nägemiseks vajutage töö ajal aku kontrollimise/lambi nuppu.

► **Joon.17**

Akunäidiku olek			Aku jääkmahutavus
Pöleb	Ei põle	Vilgub	
			50% kuni 100%
			20% kuni 50%
			0% kuni 20%
			Laadige akut

Aku kontrollimise/lambi nupp

Võimalik on teha järgmisi toiminguid.

- Aku jääkmahutavuse kontrollimiseks vajutage lihtsalt nuppu.
- Lampide sisse-/väljalülitamiseks vajutage töö ajal nuppu ja hoidke seda all.

Lüliti funktsioneerimine

► **Joon.18:** 1. Režiimi valimise nupp 2. SISSE/VÄLJA-nupp

Seadme sisse-/väljalülitamine

Seadme sisse- ja väljalülitamiseks vajutage SISSE/VÄLJA-nuppu.

!ETTEVAATUST: Hoidke seadme pead käivitamise ajal alati maas. Muidu võib takerdumise tõttu juhtuda õnnetus, mis võib põhjustada kehavigastusi.

Töörežiimi muutmise

Töörežiime on kolm:

1. Madal müratase
2. Tavaline
3. Kõrge

Töörežiimi muutmiseks vahetage režiimi valimise nuppu. Töörežiimi saab muuta isegi siis, kui seade on välja lülitatud. Seade käivitub seatud režiimis.

MÄRKUS: Tolmuimeja käivitub samas režiimis nagu viimasel kasutamisel. Kui eemaldate aku siis, kui mootor pärast väljalülitamist veel töötab, ei pruugi tolmuimeja käivituda samas režiimis nagu viimasel kasutamisel.

Lambi sisse-/väljalülitamine

!ETTEVAATUST: Ärge vaadake otse valgusse ega valgusalikalt.

Seadmel on lambid.

Nende kasutamise kohta lugege aku kontrollimise/lambi nuppu käsitlevast jaotisest.

► **Joon.19:** 1. Lamp

Jalghoob

!ETTEVAATUST: Kui te käepidemest lahti lasete, lukustage seade alati püstisesse asendisse. Muidu võib seade kogemata kukkuda ja kehavigastusi tekitada.

!ETTEVAATUST: Olge ettevaatlik, et te ei jätkaks sõrmi seadme kere ja pea vahele.

Seadme püstisest asendist vabastamiseks astuge jalghoovale ja tõmmake käepide tagasi.

Püstises asendis on liikumisulatus 90 kraadi.

► **Joon.20:** 1. Jalghoob

Seadme püstisesse asendisse lukustamiseks tõstke käepide ettepoole, kuni jalghoob klõpsatusega kohale lukustub.

► **Joon.21**

!ETTEVAATUST: Enne kasutamist vabastage lukust jalghoob. Hooletu käitlemine võib põhjustada osade purunemist.




► **Joon.22**

MÄRKUS: Kui seade on püstises asendis, lõpetab harjarull pöörlemise.

Harjarulli kõrguse reguleerimine

⚠ETTEVAATUST: Veenduge alati enne seadme kasutamist, et reguleerimishoob liiguks korralikult asendisse.

Harjarulli kõrgust saab reguleerida viie sammuga. Keerake reguleerimishoob soovitud asendisse järgmise tabeli järgi.

Hoova asendi reguleerimine	Harjarulli kõrgus
A 	Harjarull jääb kõrgesse asendisse, mis sobib pikakarvaliste vaipade puhastamiseks.
B 	Harjarull jääb madalasse asendisse, mis sobib kõvakattega põrandate ja lühikarvaliste vaipade puhastamiseks.
C 	Harjarull liigub põrandani ja sobib sellises asendis vaipade süvapuhatuseks ning sügaval kiududes oleva mustuse, tolmuga ja osakeste eemaldamiseks.

► Joon.23: 1. Reguleerimishoob

MÄRKUS: Harjarull ei pruugi pöörelda, kui see asub liiga madalal vastu vaiba pinda.

Kandekäepide

Seadme liigutamisel lükake seda vaid ratastel või kandke käepideme(te)st kinni hoides.

► Joon.24

⚠ETTEVAATUST: Seadme liigutamisel lukustage see püstisesse asendisse. Muidu võib seade kukkuda.

⚠ETTEVAATUST: Ärge kandke seadet mujalt kui käepidemest kinni hoides. Muidu võib seade maha kukkuda või tahtmatult käivituda ja põhjustada vigastusi.

► Joon.25

TÖÖRIISTA KASUTAMINE

⚠ETTEVAATUST: Ärge tõmmake töötamise ajal käepideme vart seadmest välja. Nii tehes kaotate seadme üle kontrolli, mis võib põhjustada tõsiseid vigastusi.

⚠ETTEVAATUST: Ärge pange kätt või jalga töötamise ajal seadme alla. Muidu võib käsi või jalg seadme vahele jääda.

⚠ETTEVAATUST: Ärge kasutage seadet eba-piisava valgustuse korral. Halva valgusega töötamine võib soodustada ootamatu õnnetuse teket.

Tavapärane puhastustoiming

1. Hoidke käepidemest ja vabastage seade püstises asendist.
 2. Lülitage seade sisse. Puhastage põrand.
- Joon.26

Külgharja kasutamine

Külghari on mugav seinä nurdake puhastamiseks. Kui külghari on muutunud lühikeseks, laske see Makita teeninduskeskuses välja vahetada.

► Joon.27: 1. Külghari

Lisatarvikutega töötamine

⚠ETTEVAATUST: Lisatarvikuid kasutades jätkake käepidemest hoidmist. Muidu võib seade kogemata kukkuda ja kehavigastusi tekitada.

TÄHELEPANU: Lisatarvikute kasutamisel lukustage seade püstisesse asendisse. Muidu võib harjarulli pöörlemine põrandat kahjustada.

Alumiiniumtoru kasutamine

Alumiiniumtoru on sobilik kitsaste ruumide või kõrgete kohtade puhastamiseks.

► Joon.28: 1. Alumiiniumtoru

Vooliku kasutamine

Voolik on sobilik käte läheduses puhastamiseks.

► Joon.29: 1. Voolik

Vooliku kasutamiseks tõmmake voolik alumiiniumtorust välja, lükates samal ajal hooa.

► Joon.30: 1. Hoob

Vooliku paigaldamiseks sisestage voolik alumiiniumtorusse, kuni see kinni klõpsatab.

► Joon.31

Lisaotsakute kasutamine

► Joon.32

Lisaotsaku paigaldamiseks keerake ja sisestage see alumiiniumtoru või vooliku otsa. Eemaldamiseks keerake seda ja eemaldage.

HOOLDUS

⚠ETTEVAATUST: Enne kontroll- või hool- dustoimingute tegemist kandke alati hoolit selle eest, et seade oleks välja lülitatud ja akukassett eemaldatud.

TÄHELEPANU: Ärge kunagi kasutage bensiini, vedeldit, alkoholi ega midagi muud sarnast. Selle tulemuseks võib olla luitumine, deformatsioon või pragunemine.

Toote OHUTUSE ja TÕÕKINDLUSE tagamiseks tuleb vajalikud remonttööd ning muud hooldus- ja reguleerimistööd lasta teha Makita volitatud teeninduskeskustes või tehase teeninduskeskustes. Alati tuleb kasutada Makita varuosi.

Hoiundamine

Hoiustamise ajaks eemaldage akukassett ja hoidke seadet tasasel pinnal püstises asendis.

Seadme kere puhastamine

Puhastage tolmuimeja korpuse välispinda aeg-ajalt seebivees niisutatud lapiga.

HEPA filtri puhastamine

⚠ETTEVAATUST: Ärge kasutage tolmuimejat ilma filtrita ega jätkake seadme kasutamist määratud või kahjustatud filtriga. Sisse imetud tolm ja praht võidakse tolmuimejast välja paisata ning need võivad põhjustada kasutajale hingamisteede haigusi.

TÄHELEPANU: Optimaalse imivõimsuse ja puhta väljutatud õhu tagamiseks puhastage regulaarselt filtrit. Kui puhastamise järel ei saavutata piisavat imivõimsust, vahetage filter uue vastu.

TÄHELEPANU: Filtri kahjustamise vältimiseks ärge kasutage puhastamiseks järgmisi tööriistu või sarnaseid esemeid:

- tolmueemaldi;
- kõrgsurvepesur;
- kõvadest materjalidest tehtud tööriistad, näiteks traathari

1. Avage tolmkarbi kate ja võtke filtrikott välja.

Vabastage filtril olevad konksud ja eemaldage filter tolmuimeja korpusest.

► Joon.35: 1. Konks

2. Klõppige tolm filtrist välja. Filtrit võib veega pesta. Loputage filter iga kuu või kahe kuu tagant tolmust ja osakestest puhtaks. Seejärel kuivatage filtrer täiesti kuivaks päikese eest varjatud ja hästi tuulutatud kohas, et vältida ebameeldiva lõhna ja tõrgete tekkimist.

3. Filtri paigaldamiseks sisestage ilma konksudeta külg soonde ning seejärel lükake filtrit, kuni konksud kinnituvad klõpsuga.

► Joon.36: 1. Soon 2. HEPA filter 3. Konks

Harjarulli puhastamine

1. Eemaldage alusplaat ja eemaldage seejärel harjarull.

Kui harjarulli harjased on lühikeseks muutunud, tellige Makita teeninduskeskusest uus.

Lühikeste harjastega harjarull halvendab seadme tolmukogumisvõimet.

► Joon.37: 1. Alusplaat 2. Harjarull

2. Eemaldage harjarullil olevad niidid ja karvad kääridega.

Eemaldage kate ja puhastage praht.

► Joon.38: 1. Kate

3. Paigaldage vastupidises asendis kate, harjarull ja alusplaat.

► Joon.39

⚠ETTEVAATUST: Asetage alusplaat tagasi kindlalt asendisse, kuni kaks lukustushooba klõpsavad kohale. Kui seadet kasutatakse ilma alusplaadita, võib harjarull küljest ära tulla ja põhjustada vigastusi.

► Joon.40: 1. Alusplaat 2. Lukustushoob

TÄHELEPANU: Kinnitage harjarull alati. Seadme kasutamine ilma harjarullita halvendab selle tolmukogumisvõimet.

Ummistuste eemaldamine

TÄHELEPANU: Ärge kasutage seadet, kui sisselaske voolutee on ummistunud. Seadme pidev kasutamine ummistunud sisselaske vooluteega vähendab imivõimsust.

1. Eemaldage alusplaat ja eemaldage seejärel harjarull.
2. Eemaldage seadme ja vooliku küljest alumiiniumtoru.
3. Keerake voolikut vastupäeva ja eemaldage voolik seadme küljest.
4. Eemaldage sakist tõmmates imivoolik.
► Joon.41: 1. Alusplaat 2. Harjarull 3. Alumiiniumtoru 4. Voolik 5. Imivoolik 6. Sakk

5. Kontrollige alumiiniumtoru, vooliku ja imivooliku õhu sisselaske vooluteed.

Eemaldab nende seest prahti.

6. Joondage imivoolikule olev keel korpuses oleva soonega ja libistage see oma kohale.

► Joon.42: 1. Keel 2. Soon

7. Paigaldage voolik, alumiiniumtoru, harjarull ja alusplaat.

⚠ETTEVAATUST: Paigaldage voolik ja toru tugevalt. Muidu võib toimuda tolmuleke, mis võib põhjustada vigastusi.

Tolmukott

Valikuline tarvik

Tolmukotti võib pärast selle puhastamist korduskasutada.

Tolmukoti paigaldamine ja eemaldamine

Tolmukoti paigaldamine ja eemaldamine toimub sarnaselt filtrikotiga. Vaadake filtrikoti paigaldamise ja eemaldamise jaotist.

► Joon.43: 1. Tolmukott 2. Kummist kork

TÄHELEPANU: Tolmukoti paigaldamisel avage kõigepealt kummist kork. Paigaldage tolmukott nii, et kummist kork oleks tagapool.

Tolmukoti tühjendamine

1. Sulgege kummist kork, et tolm välja ei paisuks.

2. Avage kotisuu, tõmmates kinnitusvahendi välja.
 3. Tühjendage tolmukott, koputades seda kergelt, et eemaldada selle sisemusse kinnitunud osakesed.
- **Joon.44:** 1. Tolmukott 2. Kummist kork
3. Kinnitusvahend

TÄHELEPANU: Tühjendage tolmukotti sagedasti. Liiga suur tolmukogus muudab koti kergesti rebenevaks.

Tolmukoti puhastamine

Puhastage tolmukotti regulaarselt seebi ja veega. Pöörake tolmukotti pahupidi ja eemaldage kleepuv tolm. Peske kergelt käsitsi ja loputage hoolikalt veega. Enne tolmumejasse paigaldamist kuivatage täielikult.

► **Joon.45**

TÄHELEPANU: Märg tolmukott vähendab imemisvõimsust ja ka mootori eluiga.

TÄHELEPANU: Kinnitusvahendi paigaldamisel tolmukotile veenduge, et kotisuu oleks korralikult kinni.

TSÜKLONTARVIK

Valikuline tarvik

- **Joon.46:** 1. Tsüklontarvik

Teave tsüklontarviku kohta

Paigaldatud tsüklontarvikuga tolmumeja kasutamine vähendab filtrikotti jõudva tolmu kogust, mille tulemusena imemisjõud ei vähene. Peale selle on ka kasutusjärgne puhastamine lihtne.

⚠ETTEVAATUST: Jälgige alati, et tööriist oleks enne igasuguseid hooldustöid välja lülitatud ja akukassett eemaldatud. Kui akukassett jääb tolmumeja sisse, võib see ootamatult käivituda ja tekitada vigastusi.

⚠ETTEVAATUST: Kui tsüklontarviku võrkfilter ja tolmumeja filtrikott ummistuvad, puhastage need. Ummistunud olekus kasutamine võib põhjustada tööriista kuumenemist või tekitada suitsu.

TÄHELEPANU: Kui tolmumejale on paigaldatud tsüklontarvik, ärge kasutage tsüklontarvikut horisontaalses või ülespoole asendis. Muidu võib võrkfilter ummistuda.

TÄHELEPANU: Kasutage tolmumejat alati koos filtrikotiga, isegi kui tsüklontarvik on paigaldatud. Ilma filtrikotita tolmumeja kasutamine võib põhjustada mootori riket.

MÄRKUS: Kontrollige, et tsüklontarvik, tolmumeja ja sirge toru oleksid enne kasutamist korralikult lukustunud.

MÄRKUS: Kui tsüklontarviku tolmukarpi või tolmumeja tolmukotti on kogunenud tolmu, tühjendage need. Kasutamise jätkamisel võib imemisjõud väheneda.

Tsüklontarviku paigaldamine

1. Keerake voolikumansetti vastupäeva ja eemaldage seadmelt voolik, toru käepide ja alumiiniumtoru.

► **Joon.47:** 1. Mansett 2. Voolik 3. Toru käepide
4. Alumiiniumtoru

2. Keerake tsüklontarvikul oleva fiksaatori külg üles, nii et see oleks imiava soonega kohakuti. Lukustage fiksaator, lükates tsüklontarviku klõpsatusega fikseerumiseni sisse. Tõmmake tsüklontarvikut kergelt, et kontrollida selle kinnitust. Paigaldage sirge toru samamoodi nagu tsüklontarvik.

► **Joon.48:** 1. Tsüklontarviku käepide 2. Imiava 3. Tsüklontarvik 4. Tsüklontarviku sirge toru 5. Fiksaator 6. Lukustusnupp

3. Paigaldage tsüklontarvik seadmele ja seejärel keerake voolikule olevat mansetti fikseerimiseks päripäeva.

► **Joon.49**

Tolmu eemaldamine

Kui tolm on kogunenud tolmukarbi ülemise jooneni, järgige alltoodud protseduuri ja eemaldage tolm.

1. Hoidke tolmukarpi kindlalt, vajutage ja hoidke all kaht nuppu ning eemaldage tolmukarp.

► **Joon.50:** 1. Ülemine joon 2. Tolmukarp 3. Nupp (kahes kohas) 4. Võrkfilter

2. Eemaldage tolmukarbis olev tolm ning võrkfiltril pinnale kinnitunud tolm ja puru.

3. Sisestage tolmukarp lõpuni, kuni kaks nuppu klõpsuga lukustuvad.

► **Joon.51:** 1. Tolmukarp 2. Nupp (kahes kohas)

MÄRKUS: Hoidke tolmukarbi paigaldamisel tsüklontarvikut tugevalt kinni.

MÄRKUS: Kontrollige, et tsüklontarvik, tolmumeja ja sirge toru oleksid enne taaskäivitamist korralikult lukustunud.

MÄRKUS: Tolmumeja liigse tolmukoguse näidik ei sütti, kui tsüklontarviku tolmukarp saab täis.

MÄRKUS: Järgmiste tingimuste tekkides kontrollige, ega tolmumeja filtrikoti sisemusse ei ole kogunenud tolmu või õhu liikumise teekond pole ummistunud. Vajaduse korral kõrvaldage põhjused.

- Kui imemisvõimsus ei parane pärast tolmu eemaldamist tolmukarbit ja võrkfiltril puhastamist.
- Kui tolmumeja liigse tolmukoguse näidik põleb edasi.

Puhastamine

Kui tolmukarp muutub mustaks või võrkfilter on ummistunud, võtke need välja ja peske veega. (Lugege välja võtmise kohta peatükki „Tolmu eemaldamine“.)

Enne tagasipanekut ja kasutamist kuivatage osad korralikult.

► **Joon.52:** 1. Tolmukarp 2. Võrkfilter

Kui võrkfilter muutub väga mustaks, puhastage seda järgmisel moel.

1. Keerake võrkfiltrit vastupäeva ja võtke see välja, kui haigid on lukustamata.

► **Joon.53:** 1. Võrkfilter 2. Haak

2. Eemaldage võrkfiltril olev tolm ja peske filtrit veega. Seejärel kuivatage filter korralikult.

3. Sisestage võrkfilter selle pesasse, nii et haigid on avaga kohakuti. Keerake võrkfiltrit päripäeva, kuni haigid klõpsuga lukustuvad. Veenduge, et võrkfilter oleks kindlalt paigaldatud.

► **Joon.54:** 1. Võrkfilter 2. Haak 3. Ava

VEAOTSING

Enne parandustöökotta pöördumist kontrollige esmalt ise seadet. Ärge proovige masinat lahti võtta, kui leiate probleemi, mida kasutusjuhendis ei kirjeldata. Selle asemel pöörduge Makita volitatud teeninduskeskusesse, kus kasutatakse parandamisel alati Makita tagavaraosi.

Probleemi kirjeldus	Tõenäoline põhjus	Lahendus
Ei tööta.	Akukassett ei ole õigesti paigaldatud.	Paigaldage akukassett selles juhendis kirjeldatud viisil.
	Akukassett on tühi.	Laadige akukassett.
	Käepide on valesti paigaldatud.	Paigaldage käepide tugevasti juhendis kirjeldatud viisil.
Harjarull ei pöörle.	Seade on püstisesse asendisse lukustatud.	Vabastage seade püstisest asendist.
	Harjarulli tõrke näidik põleb.	Kontrollige, et harjarull ei oleks ümbritseva külge takerdunud (kere, kate ja liitmik).
Nõrk imemisjõud	Liigse tolmukoguse näidik põleb.	Vahetage filtrikott. Kui filtrikott pole täis, keerake filtrikott lahti ja raputage seda ummistuse eemaldamiseks.
	⇒Kui filtrikoti vahetamine probleemi ei lahenda ...	Puhastage või vahetage HEPA filter. Kontrollige, et praht ei ummistaks vooliku ja toru sisemust.
	Praht on takerdunud harjarulli ja pöörlemiskiirus on vähenenud.	Kontrollige, et harjarull ei oleks ümbritseva külge takerdunud (kere, kate, liitmik).
	Harjarull asub põrandast liiga kõrgel.	Alandage harjarulli kõrgust.
	Harjarulli harjased on muutunud lühikeseks.	Vahetage harjarull. Alandage harjarulli kõrgust.
	Seade töötab madalal režiimil.	Vahetage kõrgemale töörežiimile.
	Harjarull ei ole paigaldatud.	Paigaldage harjarull.
	Toru või voolik on valesti paigaldatud.	Paigaldage toru või voolik tugevasti.
	Vali töömuura	Seade töötab kõrgel režiimil.
Praht on harjarulli külge takerdunud.		Kontrollige, et harjarull ei oleks ümbritseva külge takerdunud (kere, kate ja liitmik).
Filtrikott on tolm täis.		Vahetage filtrikott.
⇒Kui filtrikoti vahetamine probleemi ei lahenda ...		Puhastage või vahetage HEPA filter. Kontrollige, et praht ei ummistaks vooliku ja toru sisemust.
Liigse tolmukoguse näidik vilgub pärast lühikest tööaega.	Filtrikott on volditud.	Voltige filtrikoti avaus enne paigaldamist lahti.
Lamp ei sütti	Lambi seadistus on välja lülitatud.	Vajutage töö ajal aku kontrollimise/lambi nuppu ja hoidke seda lambi sisselülitamiseks all.
Ratast on raske liigutada	Praht on ratta külge takerdunud.	Puhastage ratas praht.

VALIKULISED TARVIKUD

⚠ETTEVAATUST: Neid tarvikuid ja lisaseadiseid on soovitatav kasutada koos Makita tööriistaga, mille kasutamist selles kasutusjuhendis kirjeldatakse. Muude tarvikute ja lisaseadiste kasutamisega kaasneb vigastada saamise oht. Kasutage tarvikuid ja lisaseadiseid ainult otstarbekohaselt.

Saate vajaduse korral kohalikust Makita teeninduskeskusest lisateavet nende tarvikute kohta.

- Nurgaotsak
- Ümmargune hari
- Tsükklontarvik
- HEPA filter
- Filtrikott
- Tolmukott
- Makita algupärane aku ja laadija

MÄRKUS: Mõned nimekirjas loetletud tarvikud võivad kuuluda standardvarustusse ning need on lisatud tööriista pakendisse. Need võivad riigiti erineda.



ОСТОРОЖНО

- Это устройство не предназначено для использования лицами (включая детей) с ограниченными физическими, сенсорными или умственными способностями, а также не имеющими надлежащего опыта и знаний.
- Следите за маленькими детьми, чтобы они не использовали пылесос в качестве игрушки.
- Тип аккумулятора указан в главе "ТЕХНИЧЕСКИЕ ХАРАКТЕРИСТИКИ".
- Инструкции по установке и извлечению аккумулятора приведены в разделе "Установка или снятие блока аккумулятора".
- Для утилизации блока аккумулятора извлеките его из инструмента и утилизируйте безопасным способом. Выполняйте требования местного законодательства по утилизации аккумулятора.
- Если инструментом не будут пользоваться в течение длительного периода времени, извлеките аккумулятор из инструмента.
- Не замыкайте контакты блока аккумулятора между собой.
- Сведения о мерах предосторожности при техническом обслуживании изделия пользователем приведены в главе "ТЕХНИЧЕСКОЕ ОБСЛУЖИВАНИЕ".

ТЕХНИЧЕСКИЕ ХАРАКТЕРИСТИКИ

Модель:	VC010G
Максимальный объем воздуха ^{*1}	1,8 м ³ /мин
Разрежение ^{*1}	15 кПа
Вместимость	5 л
Размеры (Д × Ш × В)	326 мм × 381 мм × 1 146 мм
Номинальное напряжение	36–40 В пост. тока макс.
Масса нетто	8,0 – 9,2 кг

^{*1} Данное значение измерено по нашей оригинальной методике.

- Благодаря нашей постоянно действующей программе исследований и разработок указанные здесь технические характеристики могут быть изменены без предварительного уведомления.
- Технические характеристики могут различаться в зависимости от страны.
- Масса указана с учетом дополнительных принадлежностей (круглая щетка, угловая насадка) и всех блоков аккумулятора. Наименьшая и наибольшая совокупная масса инструмента и блоков аккумулятора указана в таблице.

Подходящий блок аккумулятора и зарядное устройство

Блок аккумулятора	BL4020 / BL4025 / BL4040 / BL4040F / BL4050F / BL4080F
Зарядное устройство	DC40RA / DC40RB / DC40RC / DC40WA

- В зависимости от региона проживания некоторые блоки аккумуляторов и зарядные устройства, перечисленные выше, могут быть недоступны.

⚠ ОСТОРОЖНО: Используйте только перечисленные выше блоки аккумуляторов и зарядные устройства. Использование других блоков аккумуляторов и зарядных устройств может привести к травме и/или пожару.

Символы

Ниже приведены символы, которые могут использоваться для обозначения оборудования. Перед использованием убедитесь в том, что вы понимаете их значение.



Прочитайте руководство по эксплуатации.



Обратите особое внимание.



Для данного продукта подходит типовой аккумулятор.



Только для стран ЕС

В связи с наличием в оборудовании опасных компонентов отходы электрического и электронного оборудования, аккумуляторы и батареи могут оказывать негативное влияние на окружающую среду и здоровье человека. Не выбрасывайте электрические и электронные устройства или батареи вместе с бытовыми отходами!

В соответствии с директивой ЕС по отходам электрического и электронного оборудования, по аккумуляторам, батареям и отходам аккумуляторов и батарей, а также в соответствии с ее адаптацией к национальному законодательству, отходы электрического оборудования, батареи и аккумуляторы следует хранить отдельно и доставлять на пункт раздельного сбора коммунальных отходов, работающий с соблюдением правил охраны окружающей среды. Это обозначено символом в виде перечеркнутого мусорного контейнера на колесах, нанесенным на оборудование.

Назначение

Устройство предназначено для сбора сухой пыли. Устройство подходит для коммерческого использования, например в гостиницах, школах, больницах, магазинах, офисах, арендных помещениях и на заводах.

Шум

Типичный уровень взвешенного звукового давления (A), измеренный в соответствии с IEC60335-2-69: Уровень звукового давления (L_{pA}): 70 дБ (или менее) Погрешность (K): 2,5 дБ (A)

Уровень шума при выполнении работ может превышать 80 дБ (A).

ПРИМЕЧАНИЕ: Заявленное значение распространения шума измерено в соответствии со стандартной методикой испытаний и может быть использовано для сравнения инструментов.

ПРИМЕЧАНИЕ: Заявленное значение распространения шума можно также использовать для предварительных оценок воздействия.

⚠ОСТОРОЖНО: Используйте средства защиты слуха.

⚠ОСТОРОЖНО: Распространение шума во время фактического использования электроинструмента может отличаться от заявленного значения в зависимости от способа применения инструмента и в особенности от типа обрабатываемой детали.

⚠ОСТОРОЖНО: Обязательно определите меры безопасности для защиты оператора, основанные на оценке воздействия в реальных условиях использования (с учетом всех этапов рабочего цикла, таких как выключение инструмента, работа без нагрузки и включение).

Вибрация

Суммарное значение вибрации (сумма векторов по трем осям), определенное в соответствии с IEC60335-2-69:

Распространение вибрации (a_{rM}): 2,5 м/с² или менее

Погрешность (K): 1,5 м/с²

ПРИМЕЧАНИЕ: Заявленное общее значение распространения вибрации измерено в соответствии со стандартной методикой испытаний и может быть использовано для сравнения инструментов.

ПРИМЕЧАНИЕ: Заявленное общее значение распространения вибрации можно также использовать для предварительных оценок воздействия.

⚠ОСТОРОЖНО: Распространение вибрации во время фактического использования электроинструмента может отличаться от заявленного значения в зависимости от способа применения инструмента и в особенности от типа обрабатываемой детали.

⚠ОСТОРОЖНО: Обязательно определите меры безопасности для защиты оператора, основанные на оценке воздействия в реальных условиях использования (с учетом всех этапов рабочего цикла, таких как выключение инструмента, работа без нагрузки и включение).

Декларации о соответствии

Только для европейских стран

Декларации о соответствии включены в Приложение А к настоящему руководству по эксплуатации.

МЕРЫ БЕЗОПАСНОСТИ

Правила техники безопасности при эксплуатации аккумулятора пылесоса

⚠ОСТОРОЖНО: ВАЖНО! ВНИМАТЕЛЬНО ОЗНАКОМЬТЕСЬ со всеми инструкциями и рекомендациями по технике безопасности ДО НАЧАЛА РАБОТЫ. Невыполнение инструкций и рекомендаций может привести к поражению электротоком, пожару и/или тяжелым травмам.

1. **Перед началом эксплуатации убедитесь** в том, что пользователь должным образом проинструктирован по работе с этим пылесосом.
2. **Не используйте без установленного мешочного фильтра и/или фильтров.** Немедленно замените поврежденный фильтр.
3. **НЕ ДОПУСКАЙТЕ СЛУЧАЙНОГО ПУСКА.** Установливая аккумулятор (аккумуляторы), обязательно убедитесь, что инструмент выключен.

4. Запрещено использовать пылесос для уборки горючих материалов, петард, зажженных сигарет, углей, горячей металлической стружки, острых предметов, например бритв, иголок, битого стекла и т. п.
5. **ЗАПРЕЩЕНО ЭКСПЛУАТИРОВАТЬ ПЫЛЕСОС РЯДОМ С БЕНЗИНОМ, ГАЗОМ, КРАСКОЙ, КЛЕЯЩИМИ И ДРУГИМИ ВЗРЫВООПАСНЫМИ МАТЕРИАЛАМИ.** При установке переключателя в положение ON (Вкл.) и OFF (Выкл.) возможно возникновение искр. Искры могут также возникать во время работы коллектора электродвигателя. Результатом может стать сильный взрыв.
6. Данный пылесос не предназначен для сбора пыли опасных веществ.
7. Запрещено использовать пылесос для уборки токсичных, канцерогенных, легковоспламеняющихся и других опасных материалов, таких как асбест, мышьяк, барий, бериллий, свинец, пестициды и другие вредные для здоровья вещества.
8. Не пылесосьте вспененные материалы, например средство для очистки ковров и т. п. Это может вызвать взрыв или возгорание.
9. Не используйте вне помещения или на влажных поверхностях.
10. Для Финляндии: устройство не следует использовать вне помещения при низкой температуре.
11. Не используйте устройство вблизи источников тепла (печи и пр.).
12. Не блокируйте всасывающие впускные отверстия, выпускные отверстия или вентиляционные отверстия. Они обеспечивают охлаждение электродвигателя. Следите за тем, чтобы вентиляционные отверстия не засорялись. В противном случае электродвигатель может сгореть из-за недостаточного охлаждения.
13. Не сгибайте, не тяните за шланг и не наступайте на него.
14. Немедленно выключите пылесос, если во время работы заметите признаки неисправности или падение мощности.
15. **СНИМИТЕ АККУМУЛЯТОР (АККУУЛЯТОРЫ).** Если пылесос не используется, перед обслуживанием и при смене насадок.
16. Очищайте и обслуживайте пылесос сразу по окончании работы, чтобы поддерживать его в оптимальном техническом состоянии.
17. **СОБЛЮДАЙТЕ ОСТОРОЖНОСТЬ ВО ВРЕМЯ ОЧИСТКИ ПЫЛЕСОСА.** Содержите пылесос в чистоте, чтобы обеспечить максимальную эффективность и безопасность эксплуатации. Следуйте инструкциям по смене насадок. Ручки инструмента всегда должны быть сухими и чистыми и не должны быть испачканы маслом или смазкой.
18. **ПРОВЕРЬТЕ ПОВРЕЖДЕННЫЕ КОМПОНЕНТЫ.** Перед дальнейшим использованием пылесоса ограждение или другую поврежденную деталь следует тщательно осмотреть, чтобы убедиться в том, что пылесос будет работать нормально и выполнять функции, для которых он предназначен. Убедитесь в соосности, отсутствии повреждений движущихся деталей, надежности крепления и отсутствии других дефектов, которые могут повлиять на работу электроинструмента. Поврежденное ограждение или какая-либо другая деталь должны быть соответствующим образом отремонтированы или заменены авторизованным сервисным центром, если в руководстве по эксплуатации не указано иное. Неисправные выключатели должны быть заменены в авторизованном сервисном центре. Не используйте пылесос, если выключатель не включает или не выключает его.
19. **ЗАПАСНЫЕ ЧАСТИ.** Во время обслуживания используйте для замены только аналогичные детали.
20. В промежутках между эксплуатацией обязательно храните пылесос в закрытом помещении.
21. Берегите пылесос. Небрежная эксплуатация может привести к поломке даже самого прочного пылесоса.
22. Запрещено использовать для очистки внутренних и внешних поверхностей бензин, растворитель или чистящие химикаты. Это может вызвать появление трещин и обезжелезивание.
23. Не используйте пылесос в замкнутом пространстве при наличии огнеопасных, взрывоопасных или токсичных паров от масляных красок, растворителей, бензина, некоторых средств защиты от моли и т. п., либо при наличии горючей пыли.
24. Не используйте это или другое устройство в состоянии алкогольного или наркотического опьянения.
25. Надевайте подходящие средства защиты, например маску, в зависимости от условий эксплуатации.
26. Это устройство не предназначено для использования лицами (включая детей) с ограниченными физическими, сенсорными или умственными способностями, а также не имеющими надлежащего опыта и знаний.
27. Следите за маленькими детьми, чтобы они не использовали пылесос в качестве игрушки.
28. Запрещено прикасаться к аккумулятору (аккумуляторам) и пылесосу мокрыми руками.
29. Проявляйте особую осторожность при работе на лестницах.
30. Не используйте пылесос в неустойчивых или наклоненных местах во избежание его падения, приводящего к травме или имущественному ущербу.
31. Всегда сохраняйте устойчивое положение и равновесие.
32. Запрещено использовать пылесос в качестве табурета или верстака. Устройство может упасть и нанести травму.

33. Держите все части тела и одежду на безопасном расстоянии от отверстий и движущихся частей, например вращающегося щеточного валика. В противном случае их может затянуть в устройство, что приведет к травме.

Эксплуатация и обслуживание электроинструмента, работающего на аккумуляторах

1. Заряжайте аккумулятор только зарядным устройством, указанным изготовителем. Зарядное устройство, подходящее для одного типа аккумуляторов, может привести к пожару при его использовании с другим аккумуляторным блоком.
2. Используйте электроинструмент только с указанными аккумуляторными блоками. Использование других аккумуляторных блоков может привести к травме или пожару.
3. Когда аккумуляторный блок не используется, храните его отдельно от металлических предметов, таких как скрепки, монеты, ключи, гвозди, шурупы или другие небольшие металлические предметы, которые могут привести к закорачиванию контактов аккумуляторного блока между собой. Короткое замыкание между контактами аккумуляторного блока может привести к ожогам или пожару.
4. При неправильном обращении из аккумуляторного блока может потечь жидкость. Избегайте контакта с ней. В случае контакта с кожей промойте место контакта обильным количеством воды. В случае попадания в глаза обратитесь к врачу. Жидкость из аккумулятора может вызвать раздражение или ожоги.
5. Не используйте поврежденные или модифицированные инструменты и аккумуляторные блоки. Поврежденные или модифицированные аккумуляторы могут работать некорректно, что может привести к пожару, взрыву или травмированию.
6. Не подвергайте аккумуляторный блок или инструмент воздействию огня или высокой температуры. Воздействие огня или температуры выше 130 °C может привести к взрыву.
7. Следуйте всем инструкциям по зарядке и не заряжайте аккумуляторный блок или инструмент при температурных условиях, выходящих за пределы диапазона, указанного в инструкции. Зарядка ненадлежащим образом или при температурных условиях, выходящих за пределы указанного диапазона, может привести к повреждению батареи и повысить риск пожара.

СОХРАНИТЕ ДАННЫЕ ИНСТРУКЦИИ.

▲ОСТОРОЖНО: НЕ ДОПУСКАЙТЕ, чтобы удобство или опыт эксплуатации данного устройства (полученный от многократного использования) доминировали над строгим соблюдением правил техники безопасности при обращении с этим устройством. **НЕПРАВИЛЬНОЕ ИСПОЛЬЗОВАНИЕ** инструмента или несоблюдение правил техники безопасности, указанных в данном руководстве, может привести к тяжелой травме.

Важные правила техники безопасности для работы с аккумуляторным блоком

1. Перед использованием аккумуляторного блока прочитайте все инструкции и предупреждающие надписи на (1) зарядном устройстве, (2) аккумуляторном блоке и (3) инструменте, работающем от аккумуляторного блока.
2. Не разбирайте блок аккумулятора и не меняйте его конструкцию. Это может привести к пожару, перегреву или взрыву.
3. Если время работы аккумуляторного блока значительно сократилось, немедленно прекратите работу. В противном случае, может возникнуть перегрев блока, что приведет к ожогам и даже к взрыву.
4. В случае попадания электролита в глаза промойте их обильным количеством чистой воды и немедленно обратитесь к врачу. Это может привести к потере зрения.
5. Не замыкайте контакты аккумуляторного блока между собой:
 - (1) Не прикасайтесь к контактам какими-либо токопроводящими предметами.
 - (2) Не храните аккумуляторный блок в контейнере вместе с другими металлическими предметами, такими как гвозди, монеты и т. п.
 - (3) Не допускайте попадания на аккумуляторный блок воды или дождя.Замыкание контактов аккумуляторного блока между собой может привести к возникновению большого тока, перегреву, возможным ожогам и даже поломке блока.
6. Не храните и не используйте инструмент и аккумуляторный блок в местах, где температура может достигать или превышать 50 °C (122 °F).
7. Не бросайте аккумуляторный блок в огонь, даже если он сильно поврежден или полностью вышел из строя. Аккумуляторный блок может взорваться под действием огня.
8. Запрещено вбивать гвозди в блок аккумулятора, резать, ломать, бросать, ронять блок аккумулятора или ударять его твердым предметом. Это может привести к пожару, перегреву или взрыву.
9. Не используйте поврежденный аккумуляторный блок.

10. **Входящие в комплект литий-ионные аккумуляторы должны эксплуатироваться в соответствии с требованиями законодательства об опасных товарах.**

При коммерческой транспортировке, например, третьей стороной или экспедитором, необходимо нанести на упаковку специальные предупреждения и маркировку.

В процессе подготовки устройства к отправке обязательно проконсультируйтесь со специалистом по опасным материалам. Также соблюдайте местные требования и нормы. Они могут быть строже.

Закройте или закрепите разомкнутые контакты и упакуйте аккумулятор так, чтобы он не перемещался по упаковке.

11. **Для утилизации блока аккумулятора извлеките его из инструмента и утилизируйте безопасным способом. Выполняйте требования местного законодательства по утилизации аккумулятора блока.**
12. **Используйте аккумуляторы только с продукцией, указанной Makita.** Установка аккумуляторов на продукцию, не соответствующую требованиям, может привести к пожару, перегреву, взрыву или утечке электролита.
13. **Если инструментом не будут пользоваться в течение длительного периода времени, извлеките аккумулятор из инструмента.**
14. **Во время и после использования блок аккумулятора может нагреваться, что может стать причиной ожогов или низкотемпературных ожогов. Будьте осторожны при обращении с горячим блоком аккумулятора.**
15. **Не прикасайтесь к контактам инструмента сразу после использования, поскольку они могут быть достаточно горячими, чтобы вызвать ожоги.**
16. **Не допускайте налипания на контакты, отверстия и пазы блока аккумулятора опилок, пыли или земли. Это может стать причиной перегрева, возгорания, взрыва или неисправности инструмента или блока аккумулятора, что может привести к ожогам или травмам.**
17. **Если инструмент не рассчитан на**

использование вблизи высоковольтных линий электропередач, не используйте блок аккумулятора вблизи высоковольтных линий электропередач. Это может привести к неисправности, поломке инструмента или блока аккумулятора.

18. **Храните аккумулятор в недоступном для детей месте.**

СОХРАНИТЕ ДАННЫЕ ИНСТРУКЦИИ.

▲ВНИМАНИЕ: Используйте только фирменные аккумуляторные батареи Makita. Использование аккумуляторных батарей, не произведенных Makita, или батарей, которые были подвергнуты модификациям, может привести к взрыву аккумулятора, пожару, травмам и повреждению имущества. Это также автоматически аннулирует гарантию Makita на инструмент и зарядное устройство Makita.

Советы по обеспечению максимального срока службы аккумулятора

1. **Заряжайте блок аккумуляторов перед его полной разрядкой. Обязательно прекратите работу с инструментом и зарядите блок аккумуляторов, если вы заметили снижение мощности инструмента.**
2. **Никогда не подзаряжайте полностью заряженный блок аккумуляторов. Перезарядка сокращает срок службы аккумулятора.**
3. **Заряжайте блок аккумуляторов при комнатной температуре в 10 - 40 °C (50 - 104 °F). Перед зарядкой горячего блока аккумулятора дайте ему остыть.**
4. **Если блок аккумулятора не используется, извлеките его из инструмента или зарядного устройства.**
5. **Зарядите ионно-литиевый аккумуляторный блок, если вы не будете пользоваться инструментом длительное время (более шести месяцев).**

ОПИСАНИЕ ДЕТАЛЕЙ

► Рис.1

1	Ручка	2	Панель с переключателями	3	Ручка трубы	4	Шланг
5	Панель индикации	6	Рычаг (для крышки пылесборного блока)	7	Крышка пылесборного блока	8	Рукоятка для переноски
9	Блок аккумулятора	10	Рычаг регулировки	11	Угловая насадка	12	Круглая щетка
13	Ножной рычаг	14	Ролик	15	Боковая щетка	16	Всасывающий шланг
17	Соединение	18	Алюминиевая труба	19	Держатель трубы	20	Лампа
21	Щеточный валик	22	Нижняя плита	23	Кнопка изменения режима	24	Кнопка включения/выключения
25	Индикатор рабочего режима	26	Индикатор избыточного уровня пыли	27	Индикатор ошибки щеточного валика	28	Индикатор уровня заряда аккумулятора

29	Кнопка проверки аккумулятора/включения ламп	-	-	-	-	-	-
----	---------------------------------------------	---	---	---	---	---	---

СБОРКА

▲ВНИМАНИЕ: Перед проведением каких-либо работ с инструментом обязательно убедитесь, что инструмент отключен, а блок аккумулятора снят.

▲ВНИМАНИЕ: Всегда надевайте защитную маску при сборке или техническом обслуживании.

Подсоединение ручки

1. Полностью вставьте штангу ручки в корпус пылесоса, как показано на рисунке.
 2. Закройте защелку.
- **Рис.2:** 1. Штанга ручки 2. Красная метка 3. Стопорная защелка

ПРИМЕЧАНИЕ: Полностью вставьте ручку таким образом, чтобы красная метка не была видна.

Подсоединение шланга

Вставьте шланг в установочное отверстие устройства и поверните шланг до фиксации.

- **Рис.3:** 1. Установочное отверстие

Подсоединение трубы

Вставьте конец алюминиевой трубы в соединении и прикрепите алюминиевую трубу к держателю трубы.

- **Рис.4:** 1. Соединение 2. Держатель трубы

ПРИМЕЧАНИЕ: Вставьте алюминиевую трубу в правильном направлении, как показано на рисунке. В противном случае держатель трубы не зафиксируется, а алюминиевая труба может выпасть.

- **Рис.5**

Установка или снятие блока аккумулятора

▲ВНИМАНИЕ: Обязательно выключайте устройство перед установкой или извлечением блока аккумулятора.

▲ВНИМАНИЕ: При установке или извлечении блока аккумулятора крепко держите пылесос и блок аккумулятора. Если крепко не держать пылесос и блок аккумулятора, они могут выскользнуть из рук, в результате чего возможно повреждение пылесоса и блока аккумулятора, а также травмирование оператора.

▲ВНИМАНИЕ: Соблюдайте осторожность, чтобы не прищемить пальцы при установке блока аккумулятора. Несоблюдение этого требования может привести к травме.

▲ВНИМАНИЕ: Не устанавливайте/не вынимайте блок аккумулятора влажными руками. Существует опасность поражения электрическим током.

Совместите выступ на блоке аккумулятора с пазом в корпусе и закрутите его на место. Вставляйте его до упора, чтобы он зафиксировался на своем месте с легким щелчком.

- **Рис.6:** 1. Блок аккумулятора 2. Кнопка

Для извлечения блока аккумулятора выньте его из устройства, сдвинув вверх кнопку на лицевой стороне блока.

▲ВНИМАНИЕ: Устанавливайте блок аккумулятора до упора. В противном случае блок может выпасть из устройства и нанести травму вам или другим людям.

▲ВНИМАНИЕ: Не прилагайте чрезмерных усилий при установке аккумуляторного блока. Если блок не движется свободно, значит он вставлен неправильно.

Установка мешочного фильтра

▲ВНИМАНИЕ: Не используйте поврежденный мешочный фильтр. Используйте пылесос только с установленным надлежащим образом мешочным фильтром. В противном случае, поглощенная пыль и прочие частицы могут быть выброшены обратно в атмосферу, что может стать причиной респираторных заболеваний оператора.

Установите мешочный фильтр перед использованием пылесоса.

Мешочный фильтр необходимо выбрасывать после использования. Выбросите мешочный фильтр, когда он заполнится, не опорожняя его.

ПРИМЕЧАНИЕ: Если мешочный фильтр заполнен или засорен, замените его новым. Продолжительное использование пылесоса с заполненным или засоренным мешочным фильтром приведет к снижению мощности всасывания.

ПРИМЕЧАНИЕ: Во избежание попадания пыли в мотор:

- Перед использованием устройства убедитесь в наличии установленного мешочного фильтра.
- Не используйте поврежденный или разорванный мешок.

Несоблюдение данной инструкции может привести к повреждению двигателя.

ПРИМЕЧАНИЕ: При установке мешочного фильтра не сгибайте картонные части на его отверстиях.


ПРИМЕЧАНИЕ: Мешочный фильтр пылесоса – это важный компонент для сохранения работоспособности устройства. Использование неоригинального мешочного фильтра может привести к появлению дыма или возгоранию.

ПРИМЕЧАНИЕ: Если мешочный фильтр не установлен в устройство, крышка пылесборного блока не закроется полностью.

ПРИМЕЧАНИЕ: Для некоторых стран и регионов на заводе-изготовителе устанавливается много-разовый пылесборный мешок. Для его установки / снятия можно выполнить те же действия, что и для мешочного фильтра.

1. Разблокируйте рычаг и откройте крышку пылесборного блока.
► Рис.7: 1. Рычаг 2. Крышка пылесборного блока

2. Полностью разверните мешочный фильтр.
► Рис.8

3. Отстегните защелку и вставьте мешочный фильтр в гнездо на держателе таким образом, чтобы сначала вошла сторона с меткой .

► Рис.9: 1. Защелка 2. Гнездо 3. Мешочный фильтр 4. Держатель

► Рис.10: 1. Метка 2. Прорезь

ПРИМЕЧАНИЕ: Убедитесь в том, что через прорезь держателя видно только метку на картонной части.

4. Закройте защелку держателя.

► Рис.11: 1. Защелка

5. Разверните мешочный фильтр, если он сложен.
► Рис.12

6. Надежно зафиксируйте крышку пылесборного блока.

ВНИМАНИЕ: Соблюдайте осторожность, чтобы не прищемить пальцы, когда закрываете защелку и крышку пылесборного блока.

Удаление мешочного фильтра

ВНИМАНИЕ: Проявляйте осторожность при обращении с мешочным фильтром. В противном случае возможно попадание в глаза посторонних предметов, что может привести к травме.

Замените мешочный фильтр, как только он заполнится или засорится.

Откройте крышку пылесборного блока, откройте защелку и извлеките мешочный фильтр.

► Рис.13: 1. Защелка

Потяните ленту со стороны отверстия, чтобы закрыть мешочный фильтр, и утилизируйте его целиком.

► Рис.14: 1. Лента

ПРИМЕЧАНИЕ: Не используйте мешочный фильтр повторно. Мешочный фильтр предназначен для однократных целей. Многократное использование мешочного фильтра может привести к засорению фильтра и повреждению устройства.

ОПИСАНИЕ РАБОТЫ

ВНИМАНИЕ: Перед регулировкой или проверкой функций устройства обязательно убедитесь, что оно выключено и блок аккумулятора снят.

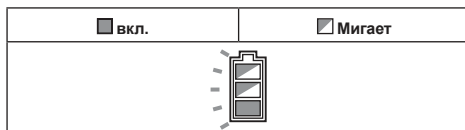
Система защиты устройства/ аккумулятора

Устройство оснащено системой защиты устройства/аккумулятора. Эта система автоматически отключает питание двигателя для продления срока службы устройства и аккумулятора. Устройство автоматически прекратит работу в указанных далее случаях, влияющих на работу самого устройства или аккумулятора:

Защита от перегрузки

Если используемый режим работы устройства приводит к возникновению слишком большого тока, то устройство автоматически прекращает работу. В этом случае выключите устройство и прекратите применение, вызвавшее его перегрузку. Затем включите устройство для перезапуска.

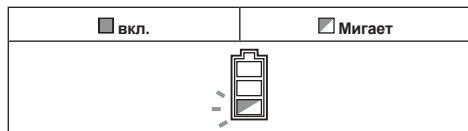
Защита от перегрева



При перегреве устройство автоматически останавливается, а индикатор аккумулятора мигает около 60 секунд. В этом случае дайте устройству остыть

перед его повторным включением.

Защита от переразрядки



При уменьшении емкости аккумулятора до низкого уровня устройство автоматически прекращает работу, а индикатор аккумулятора мигает около 60 секунд. Если изделие не работает даже после нажатия переключателей, выньте аккумулятор из устройства и зарядите аккумулятор.

Индикация оставшегося заряда аккумулятора

Нажмите кнопку проверки на аккумуляторном блоке для проверки заряда. Индикаторы загорятся на несколько секунд.

► Рис.15: 1. Индикаторы 2. Кнопка проверки

Индикаторы			Уровень заряда
Горит	Выкл.	Мигает	
■	□	▣	от 75 до 100%
■ ■ ■ ■	□	□	от 50 до 75%
■ ■ □ □	□	□	от 25 до 50%
■ □ □ □	□	□	от 0 до 25%
▣ □ □ □	□	□	Зарядите аккумуляторную батарею.
■ ■ □ □	□ □	■ ■	Возможно, аккумуляторная батарея неисправна.

ПРИМЕЧАНИЕ: В зависимости от условий эксплуатации и температуры окружающей среды индикация может незначительно отличаться от фактического значения.

ПРИМЕЧАНИЕ: Первая (дальняя левая) индикаторная лампа будет мигать во время работы защитной системы аккумулятора.

Панель индикации

► Рис.16: 1. Режим работы 2. Избыточный уровень пыли 3. Ошибка щеточного валика 4. Уровень заряда аккумулятора 5. Кнопка проверки аккумулятора/включения ламп

Режим работы

Информацию об изменении режима работы см. в разделе о переключении.

Избыточный уровень пыли

Если загорелся этот индикатор, замените мешочный фильтр. (См. раздел об извлечении мешочного фильтра.)

ПРИМЕЧАНИЕ: Этот индикатор может не работать в некоторых условиях эксплуатации.

ПРИМЕЧАНИЕ: Примерно через минуту после выключения устройства индикатор автоматически гаснет. Если устранить засорение мешочного фильтра и перезапустить устройство, индикатор погаснет в течение одной минуты.

Ошибка щеточного валика

Мигает	Высокая нагрузка на щеточный валик по ряду причин.
Горит	Щеточный валик остановился по непонятной причине.

⚠ ОСТОРОЖНО: Если эта лампа загорится во время работы, немедленно выключите устройство. В противном случае может произойти поломка двигателя и возможно возгорание.

ПРИМЕЧАНИЕ: Лампа может мигать в том случае, если щеточный валик расположен слишком низко относительно поверхности ковра. В таком случае отрегулируйте высоту щеточного валика.

Уровень заряда аккумулятора

Во время работы нажмите кнопку проверки аккумулятора/включения ламп, чтобы проверить уровень заряда аккумулятора.

► Рис.17

Состояние индикатора аккумуляторной батареи			Уровень заряда аккумулятора
Вкл.	Выкл.	Мигает	
■	□	▣	от 50% до 100%
■ ■ ■ ■	□	□	от 20% до 50%
■ □ □ □	□	□	от 0% до 20%

Состояние индикатора аккумуляторной батареи			Уровень заряда аккумулятора
 Вкл.	 Выкл.	 Мигает	
			Зарядите аккумулятор

Кнопка проверки аккумулятора/включения ламп

Могут выполняться следующие операции.

- Просто нажмите кнопку для проверки заряда аккумулятора.
- Во время работы нажмите и удерживайте данную кнопку для включения/выключения ламп.

Действие выключателя

- **Рис.18:** 1. Кнопка изменения режима 2. Кнопка включения/выключения

Включение/выключение устройства

Нажмите кнопку включения/выключения для включения и выключения устройства.

ВНИМАНИЕ: При включении устройства всегда кладите головку устройства на пол. В противном случае в результате запутывания может произойти несчастный случай с травмированием.

Переключение режима работы

Имеются следующие три рабочих режима:

1. Низкий уровень шума
2. Нормальный
3. Высокий

Для изменения рабочего режима нажмите кнопку изменения режима. Рабочий режим можно менять даже при выключенном устройстве.

Устройство запустится в режиме, установленном пользователем.

ПРИМЕЧАНИЕ: Пылесос запускается в том режиме, в котором он работал последний раз. Если извлечь аккумулятор при вращающемся двигателе после выключения, то пылесос может не запуститься в том режиме, в котором он работал последний раз.

Включение/выключение ламп

ВНИМАНИЕ: Не смотрите непосредственно на свет или источник света.

Данное устройство оснащено лампами.

Принцип работы см. в пункте, описывающем кнопку проверки аккумулятора/включения ламп.

- **Рис.19:** 1. Лампа

Ножной рычаг

ВНИМАНИЕ: Всегда блокируйте устройство в вертикальном положении, когда отпуснете ручку. В противном случае устройство может случайно упасть и стать причиной травмы.

ВНИМАНИЕ: Будьте осторожны, чтобы не защемить пальцы между основным корпусом и головкой устройства.

Чтобы разблокировать устройство из вертикального положения, нажмите ножной рычаг и потяните ручку назад.

Диапазон движения составляет 90 градусов от вертикального положения.

- **Рис.20:** 1. Ножной рычаг

Для блокировки устройства в вертикальном положении поднимите ручку вперед, чтобы ножной рычаг зафиксировался со щелчком.

- **Рис.21**

ВНИМАНИЕ: Перед началом работы обязательно разблокируйте ножной рычаг. Небрежное обращение может вызвать поломку деталей.

- **Рис.22**




ПРИМЕЧАНИЕ: Когда устройство находится в вертикальном положении, щеточный валик прекращает вращаться.

Регулировка щеточного валика по высоте

ВНИМАНИЕ: Перед началом работы обязательно убедитесь в том, что рычаг регулировки переводится в положение правильно.

Высоту щеточного валика можно отрегулировать в 5 этапов.

Поверните рычаг регулировки в нужное положение согласно приведенной ниже таблице.

Регулировка положения рычага	Высота щеточного валика
A 	Щеточный валик остается в верхнем положении относительно пола, подходящем для очистки ковров с длинным ворсом.
B 	Щеточный валик устанавливается в нижнее положение относительно пола, подходящее для очистки твердых напольных покрытий и ковров с коротким ворсом.
C 	Щеточный валик выдвигается вниз к полу, что является эффективным для тщательной очистки ковров и удаления грязи, пыли и частиц, глубоко проникших в волокна.

- **Рис.23:** 1. Рычаг регулировки

ПРИМЕЧАНИЕ: Щеточный валик может не вращаться, если он расположен слишком низко относительно поверхности ковра.

Рукоятка для переноски

Для перемещения устройство следует катить, используя ролики, или переносить за ручки для переноски.

► Рис.24

▲ВНИМАНИЕ: При перемещении устройства блокируйте его в вертикальном положении. В противном случае устройство может упасть.

▲ВНИМАНИЕ: Переносите устройство только за ручку для переноски. В противном случае устройство может упасть или причинить травму из-за случайного запуска.

► Рис.25

ЭКСПЛУАТАЦИЯ

▲ВНИМАНИЕ: Не вытягивайте штангу ручки из устройства во время работы. Это может привести к потере контроля над устройством и тяжелой травме.

▲ВНИМАНИЕ: Не допускайте, чтобы руки или ноги попадали под устройство во время работы. В противном случае возможно защемление.

▲ВНИМАНИЕ: Не пользуйтесь данным устройством при недостаточном освещении. Работа при плохом освещении может спровоцировать непредвиденное происшествие.

Стандартная процедура уборки

1. Удерживайте ручку и разблокируйте устройство из вертикального положения.
2. Включите устройство. Выполните уборку пола.

► Рис.26

Использование боковой щетки

Боковая щетка удобна для уборки в углах помещений.

Если боковая щетка укоротилась, отнесите устройство в сервисный центр Makita для замены щетки.

► Рис.27: 1. Боковая щетка

Работа с использованием принадлежностей

▲ВНИМАНИЕ: Продолжайте держать устройство за ручку при использовании принадлежностей. В противном случае устройство может случайно упасть и стать причиной травмы.

ПРИМЕЧАНИЕ: При использовании принадлежностей заблокируйте устройство в вертикальном положении. В противном случае вращающийся щеточный валик может повредить пол.

Использование алюминиевой трубы

Алюминиевая труба подходит для уборки в труднодоступных или высоко расположенных местах.

► Рис.28: 1. Алюминиевая труба

Использование шланга

Шланг подходит для чистки предметов, находящихся в непосредственной близости от вас.

► Рис.29: 1. Шланг

Для использования шланга вытяните его из алюминиевой трубы, нажимая на рычаг.

► Рис.30: 1. Рычаг

Для установки шланга вставьте шланг в алюминиевую трубу до щелчка.

► Рис.31

Использование насадок

► Рис.32

Для установки насадки плотно вставьте ее вращающим движением в алюминиевую трубу или шланг. Для отсоединения снимите ее вращающим движением.

ОБСЛУЖИВАНИЕ

▲ВНИМАНИЕ: Перед проведением осмотра или технического обслуживания устройства необходимо отключить его и извлечь блок аккумулятора.

ПРИМЕЧАНИЕ: Запрещается использовать бензин, растворители, спирт и другие подобные жидкости. Это может привести к обесцвечиванию, деформации и трещинам.

Для обеспечения БЕЗОПАСНОСТИ и НАДЕЖНОСТИ оборудования ремонт, любое другое техобслуживание или регулировку необходимо производить в уполномоченных сервис-центрах Makita или сервис-центрах предприятия с использованием только сменных частей производства Makita.

Хранение

На время хранения извлекайте блок аккумулятора и храните устройство на ровной поверхности в вертикальном положении.

► Рис.33

Очистка корпуса устройства

Время от времени протирайте внешнюю часть пылесоса (корпус пылесоса) с помощью тряпки, смоченной в мыльной воде.

► Рис.34

Очистка фильтра HEPA

ВНИМАНИЕ: Не используйте пылесос без фильтра либо с грязным или поврежденным фильтром. Поглощенная пыль и прочие частицы могут быть выброшены обратно в атмосферу, что может стать причиной респираторных заболеваний оператора.

ПРИМЕЧАНИЕ: Для сохранения оптимальной мощности всасывания и предотвращения загрязнения выпускаемого воздуха регулярно очищайте фильтр. Если требуемая мощность всасывания не достигается даже после очистки, замените фильтр.

ПРИМЕЧАНИЕ: Чтобы предотвратить повреждение фильтра, не используйте указанные далее инструменты или аналогичные предметы для очистки.

- Устройство для обдувки воздухом
- Водоструйный аппарат высокого давления
- Инструменты из твердых материалов, в частности проволочная щетка

1. Откройте крышку пылесборного блока и извлеките мешочный фильтр.

Освободите крючки на фильтре и извлеките фильтр из корпуса устройства.

► **Рис.35:** 1. Крючок

2. Выбейте пыль из фильтра. Фильтр можно промыть водой. Смойте пыль и прочие частицы с фильтра каждые 1 или 2 месяца. После этого полностью высушите фильтр в затемненном и хорошо проветриваемом месте для предотвращения неприятного запаха и повреждений.

3. Для установки фильтра вставьте его стороной без крючков в паз, а затем надавите на фильтр до фиксации крючков со щелчком.

► **Рис.36:** 1. Паз 2. Фильтр HEPA 3. Крючок

Очистка щеточного валика

1. Отсоедините нижнюю плиту и снимите щеточный валик.

Если ворсинки щеточного валика стали короче, обратитесь в сервисный центр Makita за новым валиком.

Использование устройства со щеточным валиком с короткими ворсинками снижает эффективность сбора пыли.

► **Рис.37:** 1. Нижняя плита 2. Щеточный валик

2. Удалите нитки и волосы со щеточного валика ножницами.

Снимите крышку и удалите мусор.

► **Рис.38:** 1. Крышка

3. Установите крышку, щеточный валик и нижнюю плиту в обратном порядке.

► **Рис.39**

ВНИМАНИЕ: Надежно установите нижнюю плиту обратно на свое место до защелкивания двух рычагов блокировки. При использовании устройства без нижней плиты щеточный валик может отсоединиться и причинить травму.

► **Рис.40:** 1. Нижняя плита 2. Рычаг блокировки

ПРИМЕЧАНИЕ: Всегда прикрепляйте щеточный валик. Использование устройства без щеточного валика приведет к снижению эффективности удаления пыли.

Удаление засорения

ПРИМЕЧАНИЕ: Не используйте устройство, если приточный канал засорен.

Продолжительное использование устройства с засоренным приточным каналом приведет к снижению мощности всасывания.

1. Отсоедините нижнюю плиту и снимите щеточный валик.
2. Извлеките алюминиевую трубу из устройства и из шланга.
3. Поверните шланг против часовой стрелки и извлеките шланг из устройства.
4. Извлеките всасывающий шланг, потянув за выступ.

► **Рис.41:** 1. Нижняя плита 2. Щеточный валик
3. Алюминиевая труба 4. Шланг
5. Всасывающий шланг 6. Выступ

5. Осмотрите приточный канал воздуха, то есть внутреннюю часть алюминиевой трубы, шланга и всасывающего шланга.

Удалите находящийся внутри них мусор.

6. Совместите язычок всасывающего шланга с пазом в корпусе и задвиньте его на место.

► **Рис.42:** 1. Язычок 2. Паз

7. Установите шланг, алюминиевую трубу, щеточный валик и нижнюю плиту.

ВНИМАНИЕ: Надежно установите шланг и трубу. В противном случае возможно просачивание пыли, что может привести к травме.

Пылесборный мешок

Дополнительные принадлежности

Пылесборный мешок можно использовать повторно после очистки.

Установка и снятие пылесборного мешка

Пылесборный мешок устанавливается и снимается в том же порядке, что и мешочный фильтр. См. раздел, описывающий установку мешочного фильтра и удаление мешочного фильтра.

► **Рис.43:** 1. Пылесборный мешок 2. Резиновая заглушка

ПРИМЕЧАНИЕ: При установке пылесборного мешка сначала откройте резиновую заглушку. Вставьте пылесборный мешок с откинутой позади него заглушкой.

Очистка пылесборного мешка

1. Закройте резиновую заглушку, чтобы не выпустить наружу пыль.
2. Откройте раструб мешка, стянув с него крепеж.
3. Высыпьте содержимое пылесборного мешка, слегка похлопывая по нему для извлечения частиц, налипших на его внутренние поверхности.

► **Рис.44:** 1. Пылесборный мешок 2. Резиновая заглушка 3. Крепеж

ПРИМЕЧАНИЕ: Пылесборный мешок требует частой очистки. Накопление слишком большого количества пыли способствует изнашиванию материала мешка.

Очистка пылесборного мешка

Регулярно очищайте пылесборный мешок с помощью мыла и воды. Выверните мешок наизнанку и удалите прилипшую пыль. Аккуратно выполните очистку ладонью и тщательно промойте водой.

Перед установкой в пылесос тщательно высушите.

► **Рис.45**

ПРИМЕЧАНИЕ: Непросохший пылесборный мешок снизит всасывающую способность и сократит срок службы двигателя.

ПРИМЕЧАНИЕ: При надевании крепежа на пылесборный мешок убедитесь в том, что раструб мешка надежно закрыт.

ЦИКЛОННЫЙ ФИЛЬТР

Дополнительные принадлежности

► **Рис.46:** 1. Циклонный фильтр

Информация о циклонном фильтре

Использование пылесоса с циклонным фильтром уменьшает количество пыли, попадающее в мешочный фильтр, что предотвращает уменьшение силы всасывания. Кроме того, это значительно упрощает очистку после использования.

⚠ВНИМАНИЕ: Перед проведением каких-либо работ с инструментом обязательно отключите инструмент и извлеките блок аккумулятора. Если блок аккумулятора оставить в устройстве, пылесос может неожиданно запускаться и стать причиной травмы.

⚠ВНИМАНИЕ: Очищайте сетчатый фильтр циклонного фильтра и мешочный фильтр пылесоса при их засорении. Дальнейшее использование в засоренном состоянии может привести к нагреванию или появлению дыма.

ПРИМЕЧАНИЕ: Не используйте установленный циклонный фильтр в горизонтальном положении или в положении, когда он направлен вверх. Это может привести к засорению сетчатого фильтра.

ПРИМЕЧАНИЕ: Пылесос следует обязательно использовать с установленным мешочным фильтром даже в случае применения циклонного фильтра. Использование пылесоса без установленного мешочного фильтра может привести к неисправности двигателя.

ПРИМЕЧАНИЕ: Перед использованием убедитесь в том, что циклонный фильтр, пылесос и прямая труба зафиксированы надлежащим образом.

ПРИМЕЧАНИЕ: Опорожняйте корпус для сбора пыли циклонного фильтра и мешочный фильтр пылесоса при накоплении пыли. Дальнейшее использование приведет к уменьшению силы всасывания.

Установка циклонного фильтра

1. Поверните манжету шланга против часовой стрелки и снимите шланг, ручку трубы и алюминиевую трубу с устройства.

► **Рис.47:** 1. Манжета 2. Шланг 3. Ручка трубы 4. Алюминиевая труба

2. Поверните боковую часть стопора циклонного фильтра вверх, совместив стопор с пазом всасывающего патрубка. Заблокируйте стопор, вставив циклонный фильтр до щелчка. Слегка потяните циклонный фильтр на себя с целью убедиться в том, что он не отсоединится. Установите прямую трубу в том же порядке, что и циклонный фильтр.

► **Рис.48:** 1. Ручка для циклонного фильтра 2. Всасывающий патрубок 3. Циклонный фильтр 4. Прямая труба для циклонного фильтра 5. Стопор 6. Кнопка блокировки

3. Установите циклонный фильтр на устройство, а затем поверните манжету на шланге по часовой стрелке, чтобы зафиксировать его.

► **Рис.49**

Удаление пыли

При заполнении пылью до уровня линии заполнения в корпусе для сбора пыли выполните описанную далее процедуру и утилизируйте пыль.

1. Крепко удерживая корпус для сбора пыли, нажмите и удерживайте две кнопки, после чего снимите корпус для сбора пыли.

► **Рис.50:** 1. Линия заполнения 2. Корпус для сбора пыли 3. Кнопка (два положения) 4. Сетчатый фильтр

2. Удалите пыль из корпуса для сбора пыли и удалите пыль и мелкую пыль с поверхности сетчатого фильтра.

3. Полностью вставьте корпус для сбора пыли таким образом, чтобы две кнопки зафиксировались со щелчком.

► **Рис.51:** 1. Корпус для сбора пыли 2. Кнопка (два положения)

ПРИМЕЧАНИЕ: При установке корпуса для сбора пыли крепко держите циклонный фильтр.

ПРИМЕЧАНИЕ: Перед возобновлением работы убедитесь в том, что циклонный фильтр, пылесос и прямая труба зафиксированы надлежащим образом.

ПРИМЕЧАНИЕ: Находящийся на пылесосе индикатор превышения максимального уровня пыли не загорается при наполнении корпуса для сбора пыли циклонного фильтра.

ПРИМЕЧАНИЕ: При следующих условиях проверьте, не скопилось ли пыль внутри мешочного фильтра пылесоса и не засорился ли воздуховод. В случае необходимости устраните указанные причины.

- Если производительность на всасывании не улучшается после извлечения пыли из корпуса для сбора пыли и очистки сетчатого фильтра.
- Если находящийся на пылесосе индикатор превышения максимального уровня пыли продолжает гореть.

Очистка

Когда загрязнится корпус для сбора пыли или засорится сетчатый фильтр, извлеките и промойте их водой. (Процедуру удаления см. в разделе “Утилизация пыли”).

Тщательно просушите детали перед повторной установкой и использованием.

► **Рис.52:** 1. Корпус для сбора пыли 2. Сетчатый фильтр

Если сетчатый фильтр сильно загрязнен, очистите его, выполнив указанные далее процедуры.

1. Поверните сетчатый фильтр против часовой стрелки и извлеките его, пока крючки находятся в незафиксированном положении.

► **Рис.53:** 1. Сетчатый фильтр 2. Крючок

2. Удалите пыль из сетчатого фильтра и промойте его водой. После этого тщательно просушите его.

3. Вставьте сетчатый фильтр в основание таким образом, чтобы крючки расположились на одной линии с отверстием. Поверните сетчатый фильтр по часовой стрелке до фиксации крючков со щелчком. Убедитесь в том, что сетчатый фильтр надежно зафиксирован.

► **Рис.54:** 1. Сетчатый фильтр 2. Крючок
3. Отверстие



ПОИСК И УСТРАНЕНИЕ НЕИСПРАВНОСТЕЙ

Прежде чем обращаться по поводу ремонта, проведите осмотр самостоятельно. Если обнаружена неисправность, не указанная в руководстве, не пытайтесь разобрать инструмент. Обратитесь в один из авторизованных сервисных центров Makita, в которых для ремонта используются только оригинальные детали Makita.

Неисправность	Вероятная причина	Способ устранения
Не работает	Неправильно установлен блок аккумулятора.	Установите блок аккумулятора, как описано в настоящем руководстве.
	Блок аккумулятора истощен.	Зарядите блок аккумулятора.
	Ручка установлена неправильно.	Плотно вставьте ручку, как описано в этом руководстве.
Щеточный валик не вращается	Устройство заблокировано в вертикальном положении.	Разблокируйте устройство из вертикального положения.
	Горит индикатор ошибки щеточного валика.	Проверьте, не наматалась ли на щеточный валик (корпус, крышку и соединяющие) посторонние предметы.

Неисправность	Вероятная причина	Способ устранения
Недостаточная сила всасывания	Горит индикатор избыточного уровня пыли.	Замените мешочный фильтр. Если мешочный фильтр не заполнен, разверните мешочный фильтр и потрусите его, чтобы устранить засорение.
	⇒Если после замены мешочного фильтра проблема не исчезла...	Очистите или замените фильтр HEPA. Убедитесь, что шланг и труба не засорены.
	Мусор наматался на щеточный валик, и скорость вращения снизилась.	Проверьте, не наматалась ли на щеточный валик (корпус, крышку, соединение) посторонние предметы.
	Щеточный валик расположен слишком высоко относительно пола.	Опустите щеточный валик.
	Уменьшилась длина ворсинок на щеточном валике.	Замените щеточный валик. Опустите щеточный валик.
	Устройство работает в режиме пониженного уровня шума.	Переключите устройство в режим более высокой мощности.
	Щеточный валик не установлен.	Установите щеточный валик.
	Труба или шланг установлены неправильно.	Надежно установите трубу или шланг.
Громкий шум при перемещении	Устройство работает в режиме повышенной мощности.	Переключите устройство в режим более низкой мощности.
	На щеточный валик наматался мусор.	Проверьте, не наматалась ли на щеточный валик (корпус, крышку и соединение) посторонние предметы.
	Мешочный фильтр заполнен пылью.	Замените мешочный фильтр.
	⇒Если после замены мешочного фильтра проблема не исчезла...	Очистите или замените фильтр HEPA. Убедитесь, что шланг и труба не засорены.
Индикатор избыточного уровня пыли мигает после кратковременного использования	Замятие мешочного фильтра.	Распрямите входную часть мешочного фильтра перед его установкой.
Лампа не горит	Лампа деактивирована.	Во время работы нажмите кнопку проверки аккумулятора/включения ламп, чтобы включить лампу.
Затруднено вращение ролика	На ролик наматался мусор.	Удалите мусор с ролика.

ДОПОЛНИТЕЛЬНЫЕ ПРИНАДЛЕЖНОСТИ

⚠ВНИМАНИЕ: Данные принадлежности или приспособления рекомендуются для использования с инструментом Makita, указанным в настоящем руководстве. Использование других принадлежностей или приспособлений может привести к получению травмы. Используйте принадлежность или приспособление только по указанному назначению.

Если вам необходимо содействие в получении дополнительной информации по этим принадлежностям, свяжитесь с вашим сервис-центром Makita.

- Угловая насадка
- Круглая щетка
- Циклонный фильтр
- Фильтр HEPA
- Мешочный фильтр
- Пылесборный мешок
- Оригинальный аккумулятор и зарядное

устройство Makita

ПРИМЕЧАНИЕ: Некоторые элементы списка могут входить в комплект инструмента в качестве стандартных приспособлений. Они могут отличаться в зависимости от страны.

© KOMFORT

© KOMFORT

© KOMFORT

© KOMFORT

Makita Europe N.V.

Jan-Baptist Vinkstraat 2, 3070 Kortenberg, Belgium

Makita Corporation

3-11-8, Sumiyoshi-cho, Anjo, Aichi 446-8502 Japan

www.makita.com



885A55A985
EN, SV, NO, FI, DA,
LV, LT, ET, RU
20240906